

**SUZUKI**

PARTS CATALOGUE

**SV650A (U) /XA (U) M0**

(JS1CX123/JS1CX243)

(JS1CX124/JS1CX244)

SV650A

SV650AU

SV650XA

SV650XAU



**SV650AM0\_E02**

E02

2019-7

1<sup>ST</sup> EDITION

## PREFACE

When it becomes necessary to replace parts on SUZUKI MOTORCYCLES, always use SUZUKI GENUINE PARTS which have passed a strict inspection which guarantees quality and performance.

This parts catalogue covers the list of all service parts for SUZUKI SV650AMO, SV650XAMO, SV650AUMO, SV650XAUMO.

### INSTRUCTIONS FOR QUOTING THE CATALOGUE

#### 1. DIMENSIONS

Dimensions of the parts in this catalogue are indicated in unit millimeters.

#### 2. ABBREVIATIONS

Abbreviations used in this catalogue are as follows:

AR	: As required	NT	: Number of teeth
ASSY	: Assembly	OPT	: Optional
E.NO.	: Engine number	OS	: Over size
F.NO.	: Frame number	STD	: Standard
D	: Diameter of material	T	: Thickness
ID	: Inside diameter	US	: Under size
OD	: Outside diameter	W	: Width
L	: Length		
LH	: Left hand side		
RH	: Right hand side		
~100045	: Up to F.NO. A100-100045		
100046~	: From F.NO. A100-100046		
12 x 34 x 5.6	..... Figures in the description column		
	show the dimensions of parts.		
ID OD T(or W, L)			

→12345-56781 (Parts No.) : indicates that the parts number was changed to 12345-56781 and the new parts are interchangeable with the former ones but the former ones are not interchangeable with new ones.

←12345-56781 (Parts No.) : indicates that the former and new parts are interchangeable with each other and both are usable.

#### 3. INNER PARTS OF ASSEMBLY

Part name with a dot (.) in front as shown in the description column indicates the component of the assembly also available individually.

#### 4. MODIFICATION NOTICE

A parts bulletin will be sent to you on all occasions when changes in parts occur, including interchangeable modifications between new parts and old ones.

#### 5. NOTE

5-1. There are some different parts from those of production models among spare parts for the administrative reasons and common use of them with other models.

5-2. In respect of rubber hoses and vinyl tubes, please be sure to use them by cutting off according to the length mentioned on parts catalogue or what is actually required on the vehicle.

5-3. Note that the drawings on the illustration page are for ready reference of spare parts number, not to be used as an assembly manual. When assembling, use "SUZUKI SERVICE MANUAL".

#### 6. SPECIFICATION CODE

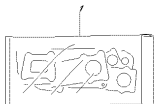
This catalogue contains the parts for the model designed for the following spec. ;  
spec. code : E02.

#### 7. SERIAL FRAME NUMBER

SV650AMO (E02) : JS1CX123BL7100001~  
SV650XAMO (E02) : JS1CX124BL7100001~  
SV650AUMO (E02) : JS1CX243BL7100001~  
SV650XAUMO (E02) : JS1CX244BL7100001~

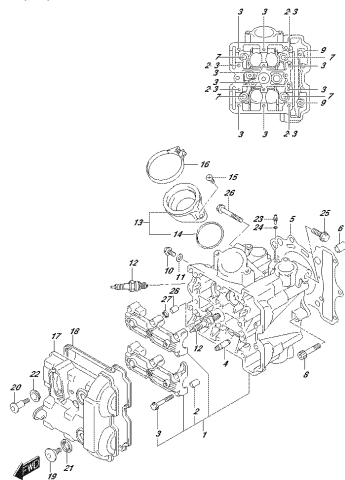


FIG. 101A



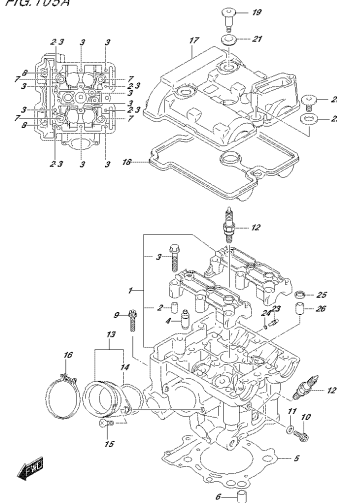
SHIBDARZ, EBIT, 101A  
CRAKNET 027

FIG. 104A



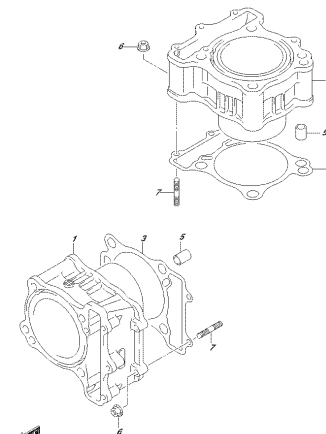
SHIBDARZ, EBIT, 104A  
CITLAKBETH-HERO/170071

FIG. 105A



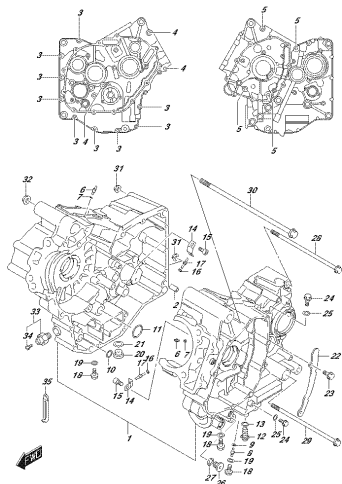
SHIBDARZ, EBIT, 105A  
CITLAKBETH-HERO/170049

FIG. 107A



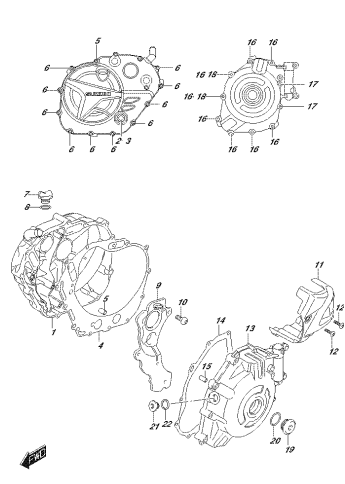
SHIBDARZ, EBIT, 107A  
CITLAKBETH

FIG. 108A



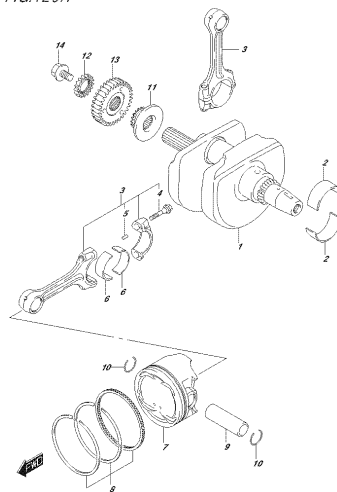
SHIBDARZ, EBIT, 108A  
CRAKNET 027

FIG. 112A



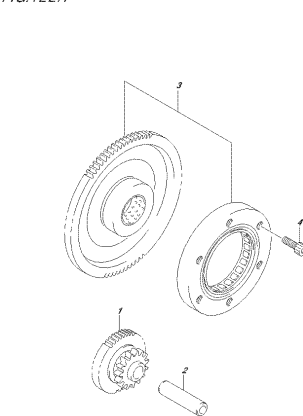
SHIBDARZ, EBIT, 112A  
CRAKNET 027

FIG. 120A



SHIBDARZ, EBIT, 120A  
CRAKNET 027

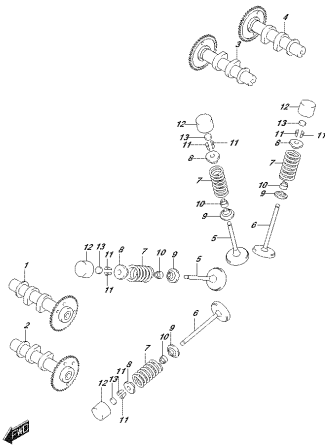
FIG. 122A



SHIBDARZ, EBIT, 122A  
CRAKNET 027

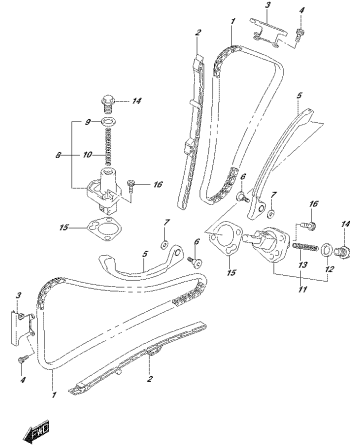


FIG. 126A



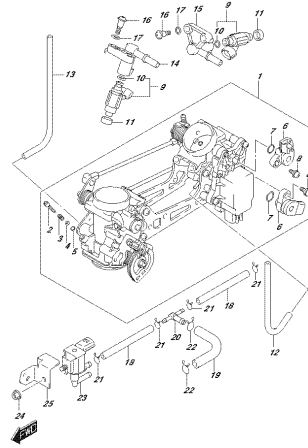
STYRSBÅRD, EDL. 1274  
GRÄNSKÄTTNINGSRE

FIG. 127A



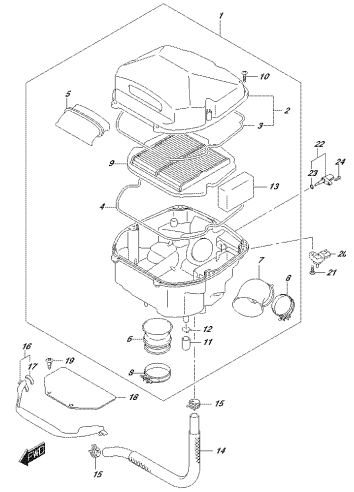
STYRSBÅRD, EDL. 1274  
GRÄNSKÄTTNINGSRE

FIG. 140B



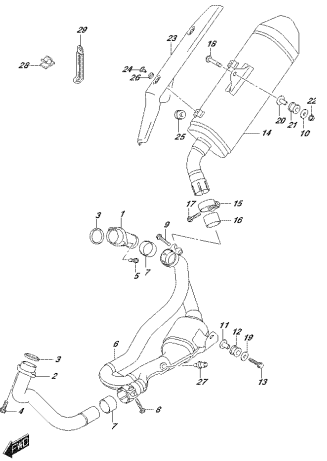
STYRSBÅRD, EDL. 1403  
STYRSTELLEGRÖP

FIG. 155B



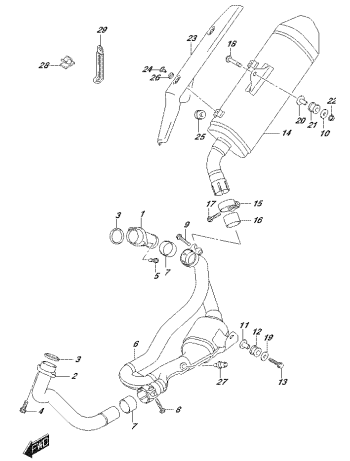
STYRSBÅRD, EDL. 1553  
ÅDRICKEKÄRST

FIG. 163A



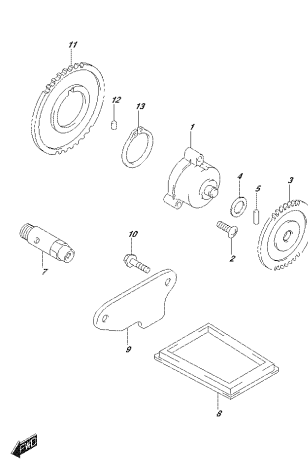
STYRSBÅRD, EDL. 1634  
SUGFLÄFFER

FIG. 163B



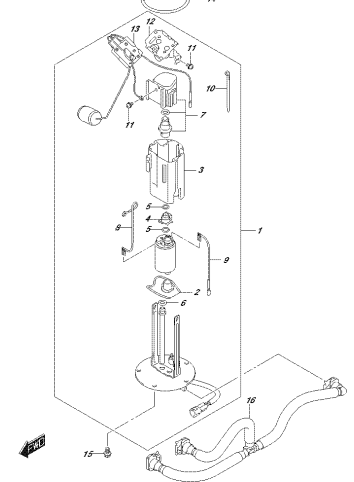
STYRSBÅRD, EDL. 1633  
SUGFLÄFFER

FIG. 170A



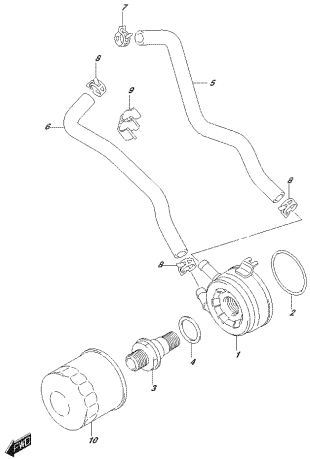
STYRSBÅRD, EDL. 1704  
DR. PUMPA

FIG. 172A



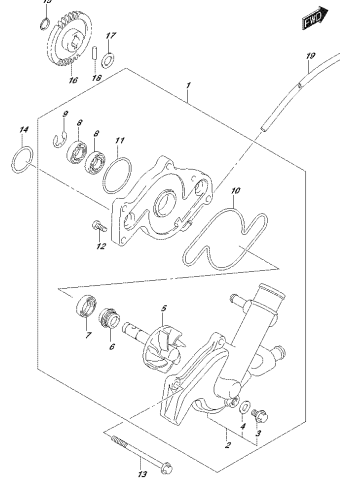
STYRSBÅRD, EDL. 1724  
FUELPUMPA

FIG. 178A



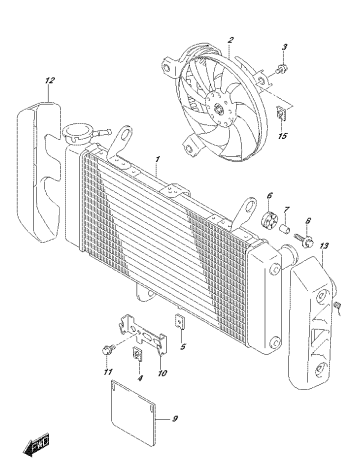
STYRSBÄR, EDEL, 178A  
CIE, COOL-FAN

FIG. 180A



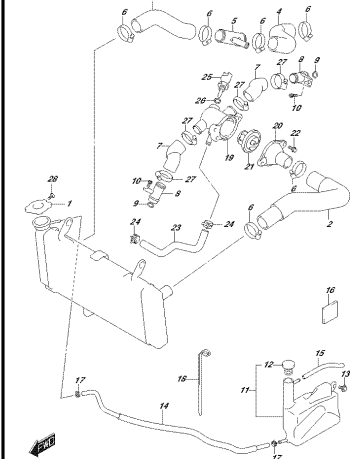
STYRSBÄR, EDEL, 180A  
HINDELFLÄP

FIG. 185A



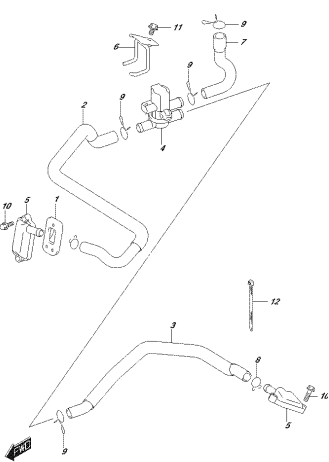
STYRSBÄR, EDEL, 185A  
FANWECHSEL

FIG. 187A



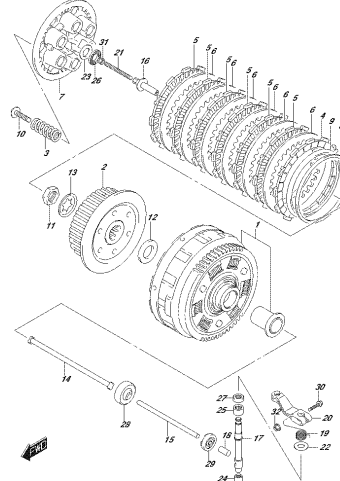
STYRSBÄR, EDEL, 187A  
FANWECHSEL

FIG. 189A



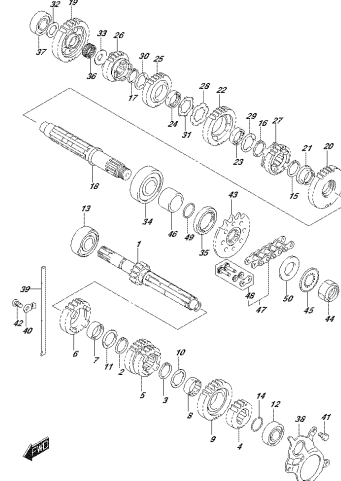
STYRSBÄR, EDEL, 189A  
FAN-IMP

FIG. 201A



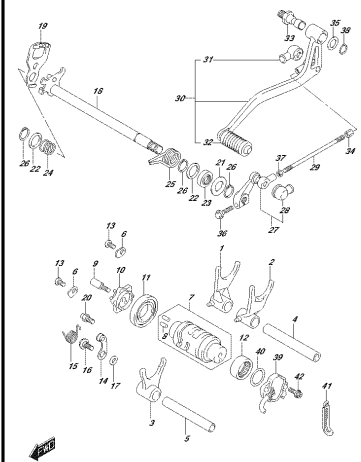
STYRSBÄR, EDEL, 201A  
CLUTCH

FIG. 206A



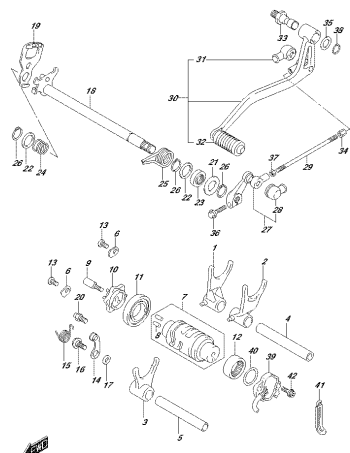
STYRSBÄR, EDEL, 206A  
FRAGENWISSEL

FIG. 212A



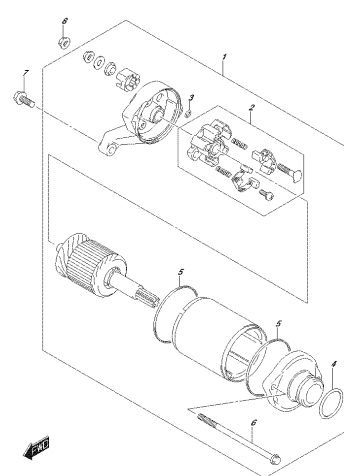
STYRSBÄR, EDEL, 212A  
DEAR-SHIFT

FIG.212B



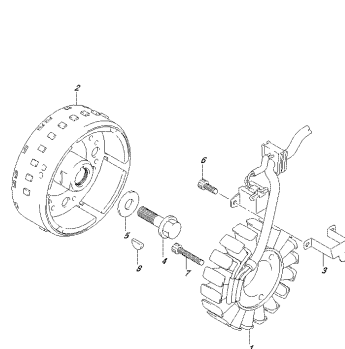
SYRBOBARD, ERT, 012B  
CERAMIC MOTOR

FIG.301A



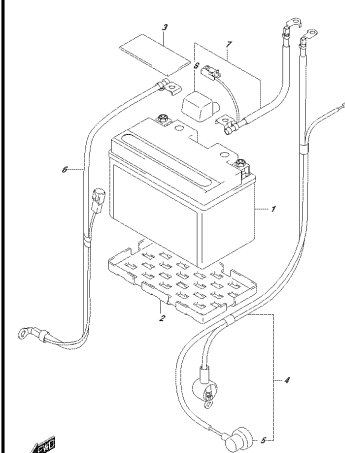
SYRBOBARD, ERT, 031A  
SERRATED MOTOR

FIG.303A



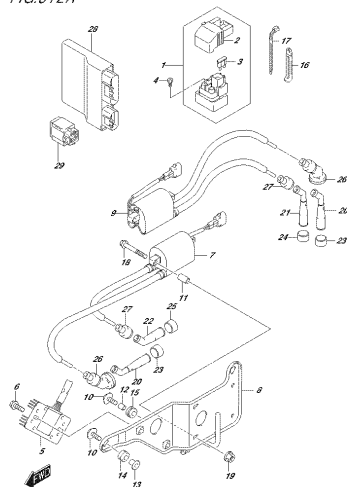
SYRBOBARD, ERT, 033A  
SERRATED

FIG.310D



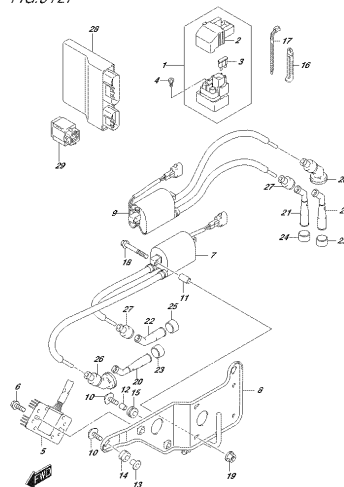
SYRBOBARD, ERT, 010D  
SERRATED

FIG.312A



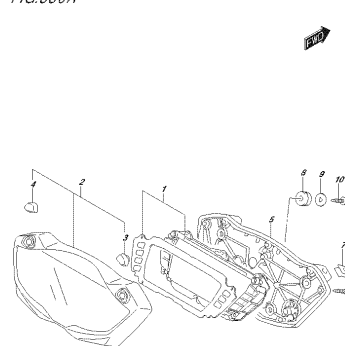
SYRBOBARD, ERT, 012A  
ELECTRICAL

FIG.312F



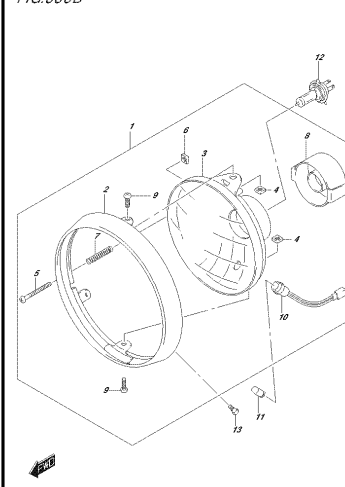
SYRBOBARD, ERT, 012F  
ELECTRICAL

FIG.330A



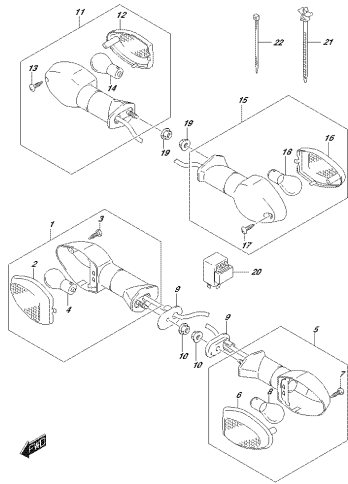
SYRBOBARD, ERT, 030A  
SPEEDOMETER

FIG.333B



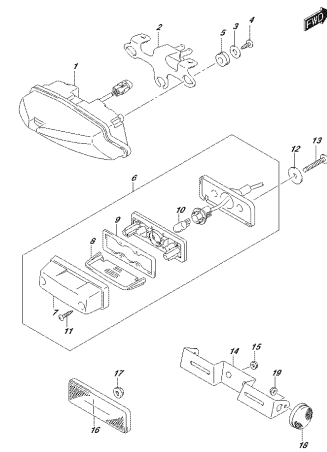
SYRBOBARD, ERT, 033B  
HEADLAMP

FIG.334A



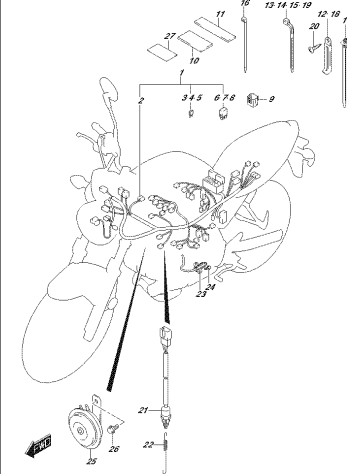
STYRSBÅRD, ERT, S504  
REARVIEW MIRROR

FIG.339C



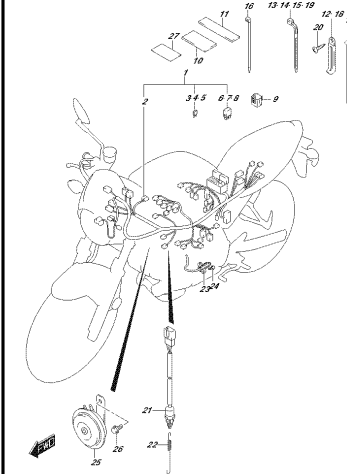
STYRSBÅRD, ERT, S50C  
REARVIEW MIRROR

FIG.350D



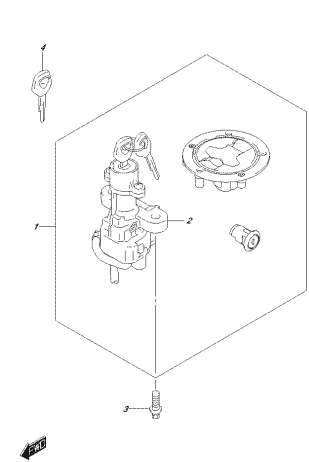
STYRSBÅRD, ERT, S50D  
HANDLE

FIG.350H



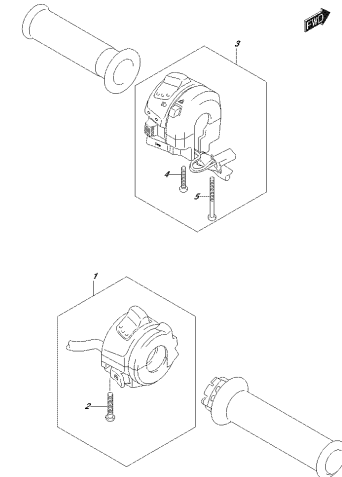
STYRSBÅRD, ERT, S50H  
HANDLE

FIG.352A



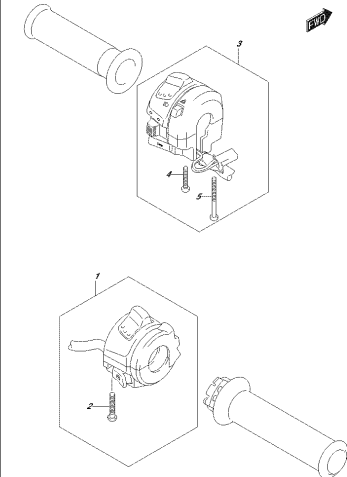
STYRSBÅRD, ERT, S50A  
LOCK SET

FIG.355A



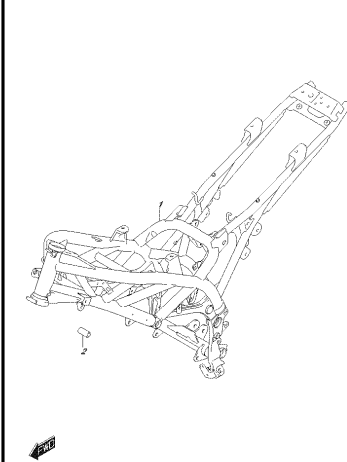
STYRSBÅRD, ERT, S50A  
HANDLE SWITCH

FIG.355C



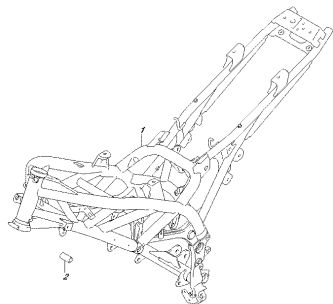
STYRSBÅRD, ERT, S50C  
HANDLE SWITCH

FIG.401A



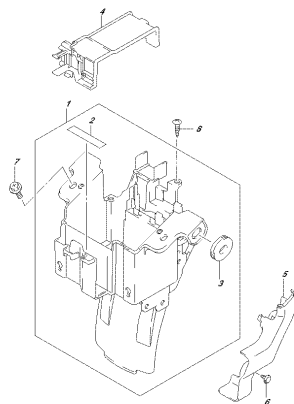
STYRSBÅRD, ERT, 401A  
FRAME

FIG.401B



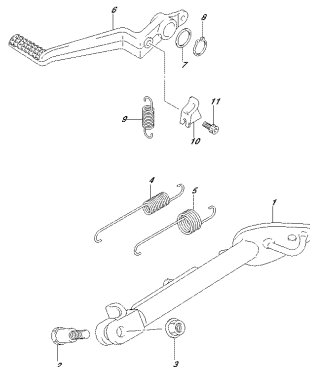
SUZUKI PARTS  
STRAKE

FIG.405A



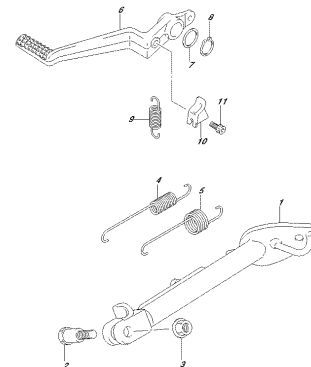
SUZUKI PARTS  
SWITCH/HOLDER

FIG.407A



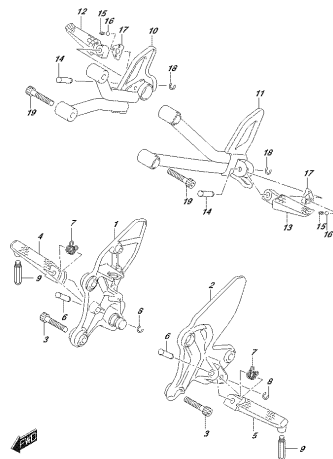
SUZUKI PARTS  
STRAKE

FIG.407B



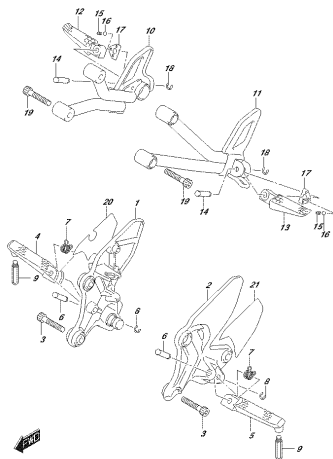
SUZUKI PARTS  
STRAKE

FIG.415A



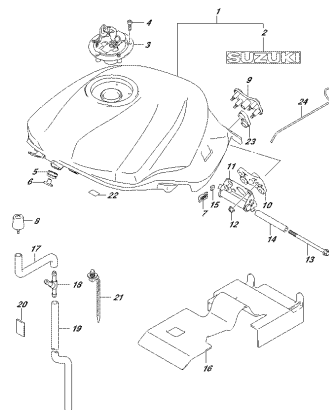
SUZUKI PARTS  
FOOTREST

FIG.415B



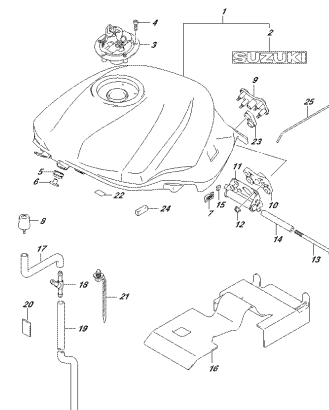
SUZUKI PARTS  
FOOTREST

FIG.420A



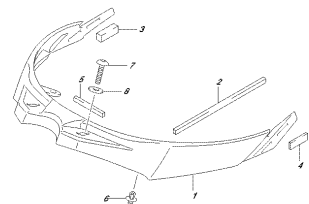
SUZUKI PARTS  
FUEL TANK

FIG.420C



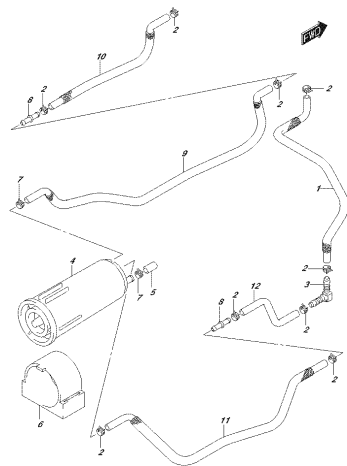
SUZUKI PARTS  
FUEL TANK

FIG.422A



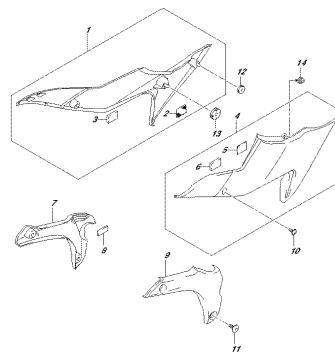
STYRSBÅR, EDEL, 4/204  
FLEK, BAK, FRÖNT, ÖMSER

FIG.427A



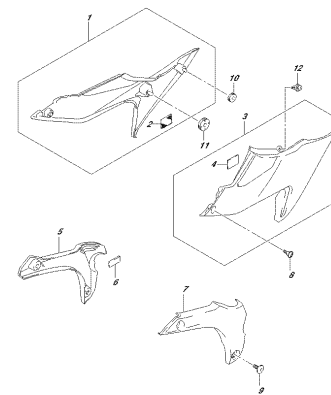
STYRSBÅR, EDEL, 4/274  
ÖMSER, FRÖNT, BAK

FIG.443A



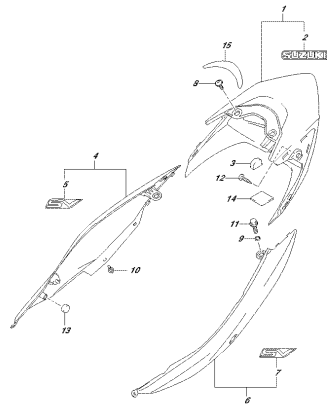
STYRSBÅR, EDEL, 4/434  
FRÄMRE, ÖMSER, BAK

FIG.443B



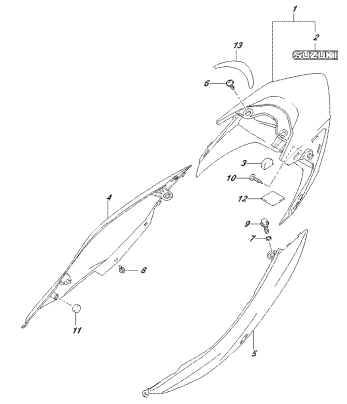
STYRSBÅR, EDEL, 4/43B  
FRÄMRE, ÖMSER, BAK

FIG.445A



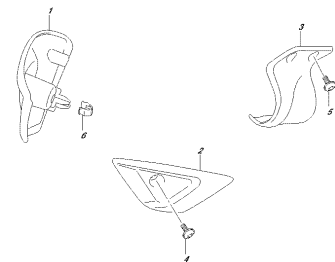
STYRSBÅR, EDEL, 4/454  
FRÄMRE, ÖMSER

FIG.445B



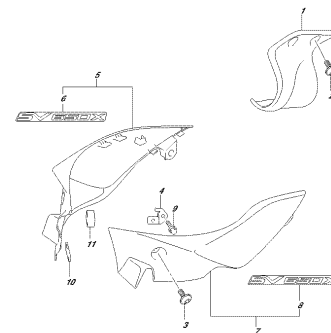
STYRSBÅR, EDEL, 4/45B  
FRÄMRE, ÖMSER

FIG.449A



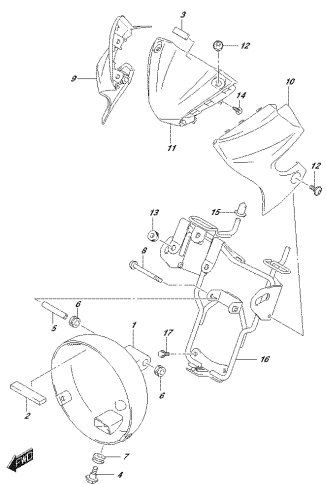
STYRSBÅR, EDEL, 4/494  
FRÄMRE, ÖMSER, BAK

FIG.449B



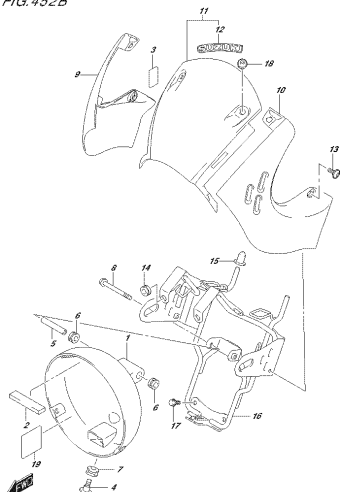
STYRSBÅR, EDEL, 4/49B  
FRÄMRE, ÖMSER, BAK

FIG. 452A



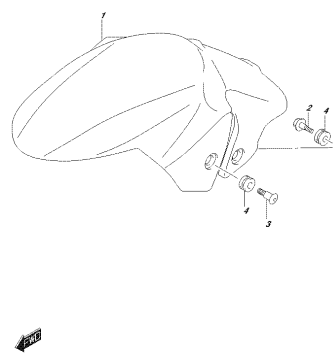
STYRSMÅL, EDEL, 452A  
FRONTLAMPÖMSHET

FIG. 452B



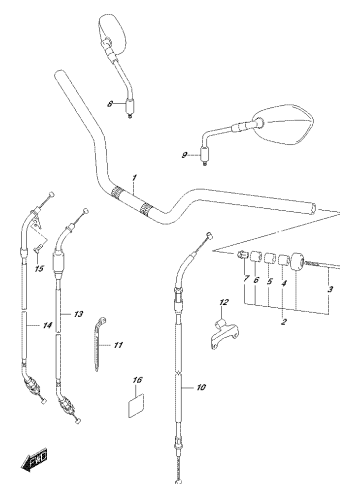
STYRSMÅL, EDEL, 452B  
FRONTLAMPÖMSHET

FIG. 460B



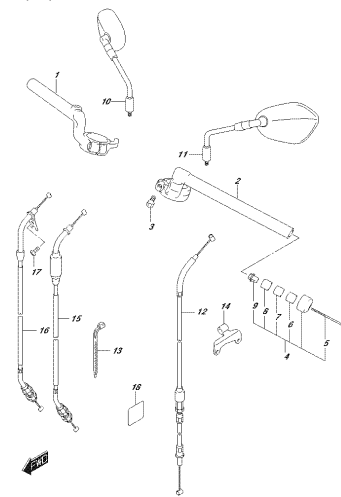
STYRSMÅL, EDEL, 460B  
FRONTLAMPÖMSHET

FIG. 462A



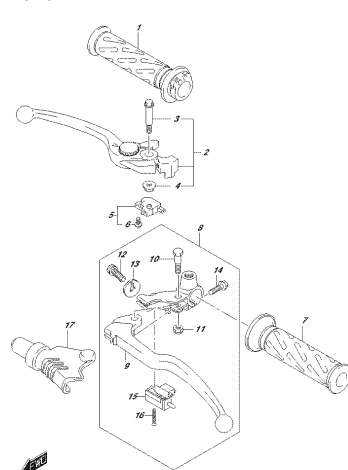
STYRSMÅL, EDEL, 462A  
HÅNDELÖMSHET

FIG. 462B



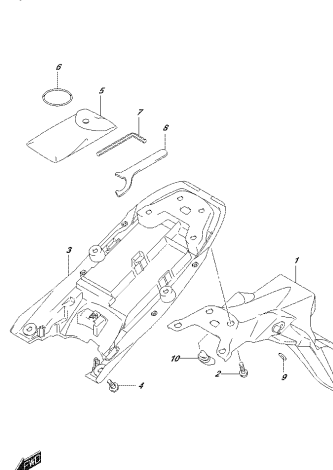
STYRSMÅL, EDEL, 462B  
HÅNDELÖMSHET

FIG. 467A



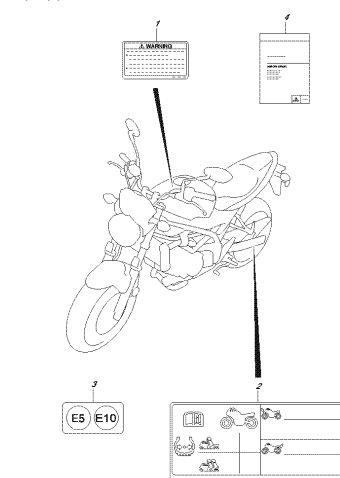
STYRSMÅL, EDEL, 467A  
HÅNDELÖMSHET

FIG. 474A



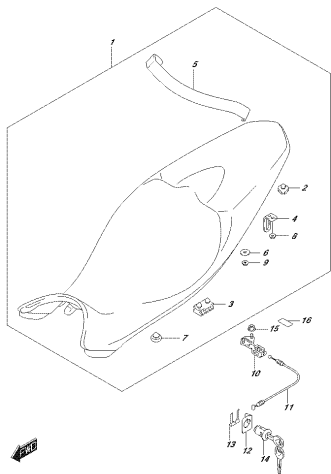
STYRSMÅL, EDEL, 474A  
REARFENDER

FIG. 496B



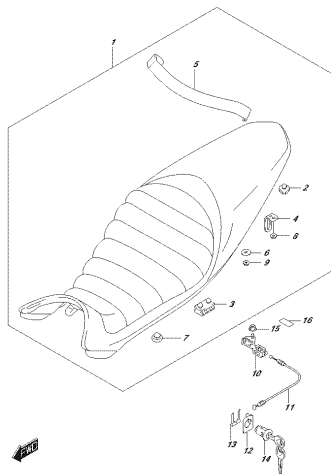
STYRSMÅL, EDEL, 496B  
SÄDEL

FIG.505A



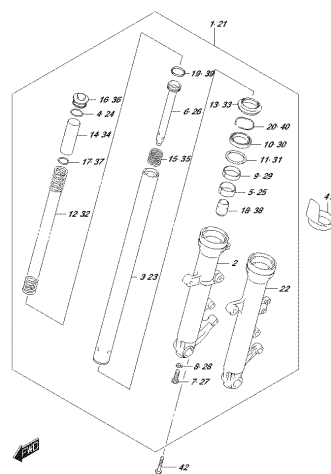
ZHSHQARZ, EDZ, S104  
DEK4

FIG.505B



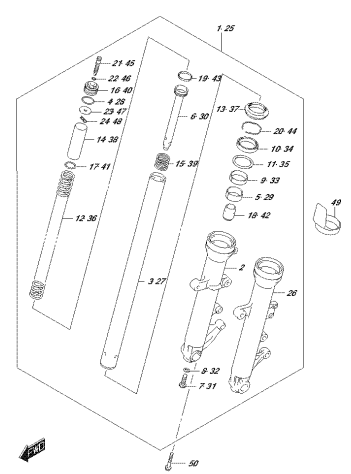
ZHSHQARZ, EDZ, S109  
DEK4

FIG.521A



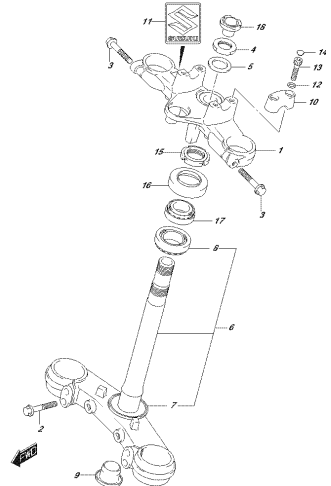
ZHSHQARZ, EDZ, S114  
FRONT FORK CHAMFER

FIG.521B



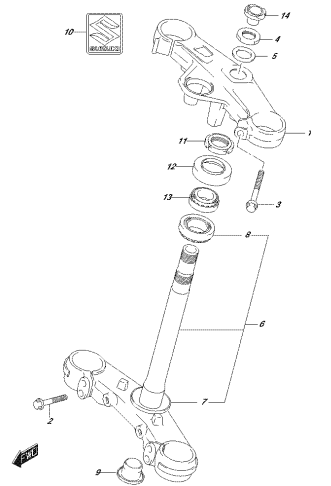
ZHSHQARZ, EDZ, S119  
FRONT FORK CHAMFER

FIG.524A



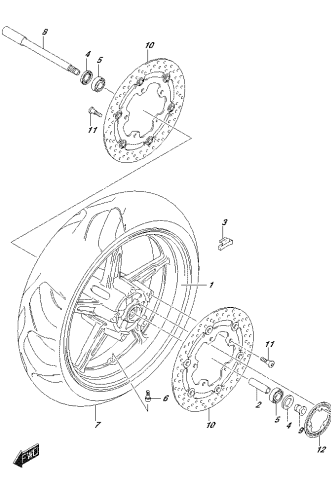
ZHSHQARZ, EDZ, S114  
STEERING STEM

FIG.524B



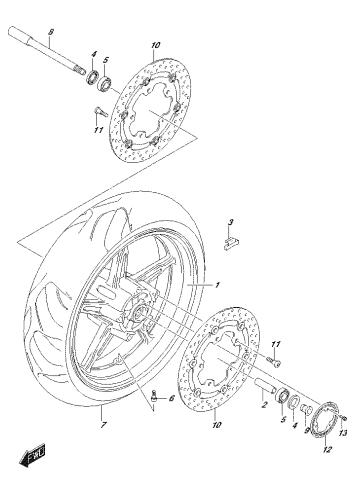
ZHSHQARZ, EDZ, S119  
STEERING STEM

FIG.530A



ZHSHQARZ, EDZ, S104  
FRONT WHEEL

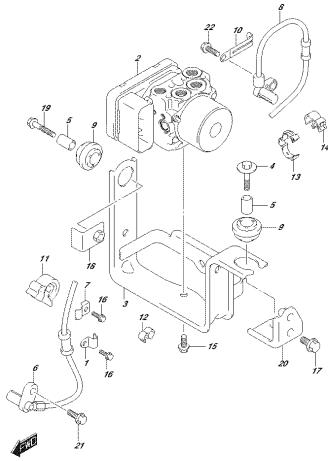
FIG.530B



ZHSHQARZ, EDZ, S109  
FRONT WHEEL

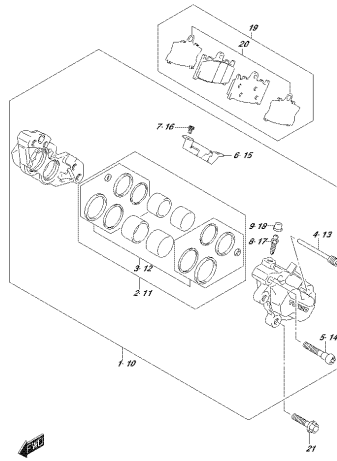


FIG.533A



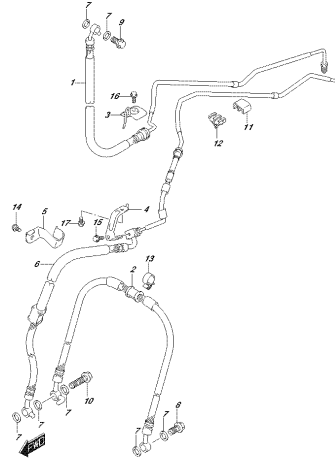
HYUNDAI, EKIT, S534  
FRONT WHEEL HUB

FIG.535A



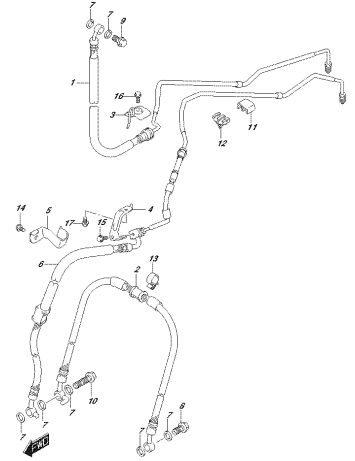
HYUNDAI, EKIT, S534  
FRONT BRAKE CYLINDER

FIG.536A



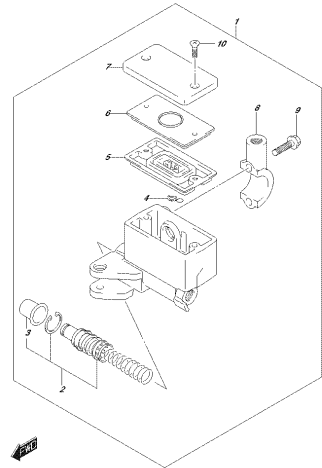
HYUNDAI, EKIT, S534  
FRONT BRAKE CYLINDER

FIG.536B



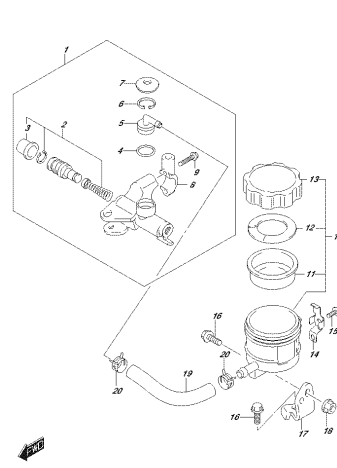
HYUNDAI, EKIT, S534  
FRONT BRAKE CYLINDER

FIG.537A



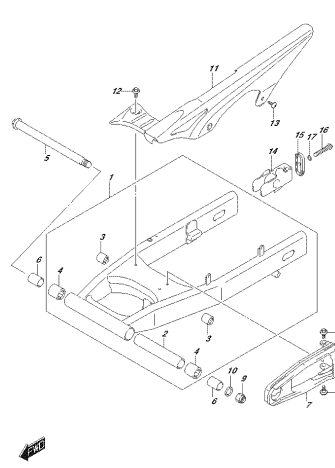
HYUNDAI, EKIT, S574  
FRONT MASTER CYLINDER

FIG.537B



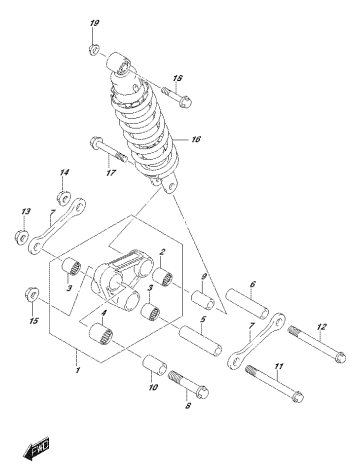
HYUNDAI, EKIT, S574  
FRONT MASTER CYLINDER

FIG.541A



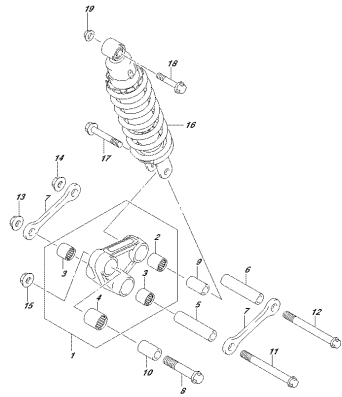
HYUNDAI, EKIT, S414  
REAR SHOCK ABSORBER

FIG.543A



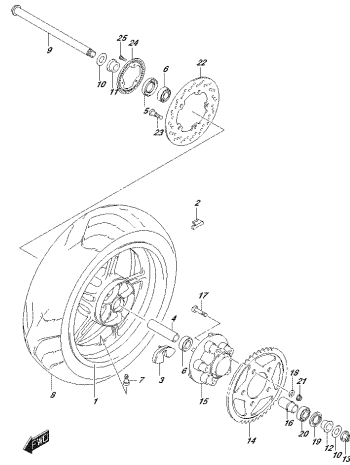
HYUNDAI, EKIT, S434  
REAR SHOCK ABSORBER

FIG.543C



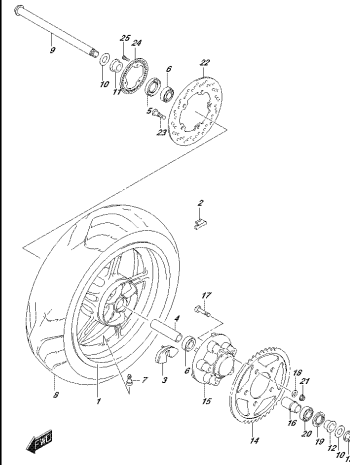
STYRSBÄR, EDL, 543C  
REAR/COIL-ON-LIFTEP

FIG.550A



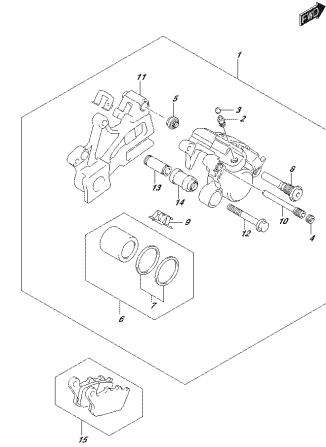
STYRSBÄR, EDL, 550A  
REAR/RIKSE

FIG.550C



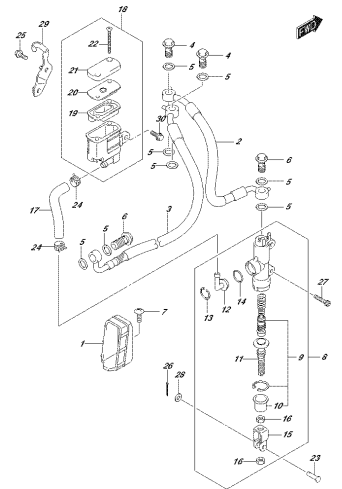
STYRSBÄR, EDL, 550C  
REAR/RIKSE

FIG.555A



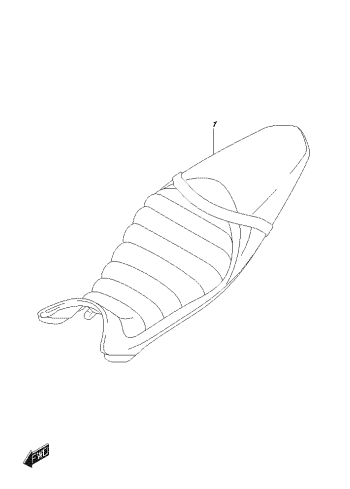
STYRSBÄR, EDL, 555A  
REAR/COIL-PEEP

FIG.558B



STYRSBÄR, EDL, 558B  
REAR/BAKSTYR/COIL-RIKSE

FIG.970A



STYRSBÄR, EDL, 970A  
OPTIKTJÄR

FIG.101A

FIG.101A (1-B-2) GASKET SET

REF NO.	PART NO.	DESCRIPTION	QTY	REMARKS
1	11403-44820	GASKET SET	1	OPT
2	11141-20F00	.GASKET,CYLINDER HEAD	1	NOT ILLUSTRATED
3	11173-19F01	.GASKET,CYLINDER HEAD COVER	2	NOT ILLUSTRATED
4	11241-19F10	.GASKET,CYLINDER FRONT	1	NOT ILLUSTRATED
5	11242-19F00	.GASKET,CYLINDER REAR	1	NOT ILLUSTRATED
6	11482-44H00	.GASKET,CLUTCH COVER	1	NOT ILLUSTRATED
7	11483-19F00	.GASKET,MAGNETO COVER	1	NOT ILLUSTRATED
8	12837-27G10	.GASKET,TENSIONER ADJUSTER	2	NOT ILLUSTRATED
9	14181-22D01	.GASKET,EXHAUST PIPE	2	NOT ILLUSTRATED
10	11191-27E00	.WASHER,CYL HEAD COVER (L:5.5)	4	NOT ILLUSTRATED

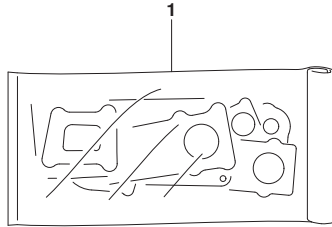


FIG.104A

FIG.104A (1-B-3) CYLINDER HEAD (FRONT)

REF NO.	PART NO.	DESCRIPTION	Q'TY	REMARKS
1	11101-18K00	HEAD ASSY,CYLINDER FRONT	1	
2	09206-08001	.PIN (6.2X8X11)	4	
3	09103-06266	.BOLT (6X40)	12	
4	11115-18D72	GUIDE, VALVE (OS:0.3)	1	OPT
5	11141-20F00	GASKET,CYLINDER HEAD	1	
6	04211-13189	PIN	2	
7	11117-44H00	BOLT,CYL HEAD (10X160)	4	
8	07120-0640A	BOLT	1	
9	09103-06103	BOLT (6X70)	2	
10	01550-0612A	BOLT	1	
11	09168-06023	GASKET (5.8X13X1.2)	1	
12	09482-00646	PLUG,SPARK (MR8E-9)	4	
13	13101-17G10	PIPE ASSY,INTAKE FRONT	1	
14	09280-46006	.O RING (D:2.4,ID:47X42)	1	
15	02122-0616B	SCREW	4	
16	13827-40H01	CLAMP,INTAKE PIPE	2	
17	11171-18K00	COVER,CYLINDER HEAD FRONT	1	
18	11173-19F01	GASKET,CYLINDER HEAD COVER	2	
19	09106-07021	BOLT (7X17.5)	4	
20	09106-07010	BOLT (L:19)	2	
21	11191-27E00	WASHER,CYL HEAD COVER (L:5.5)	4	
22	11192-13E00	CUSHION,HEAD COVER BOLT	2	
23	09493-80005	JET (#80)	1	
24	09280-04004	O-RING (D:1.2,ID:4)	1	
25	09103-10378	BOLT (10X25)	1	
26	01550-1070A	BOLT (10X85)	1	
27	11182-35F10	GASKET,2ND AIR PASSAGE	2	
28	09206-10016	PIN (8.2X10X13)	2	

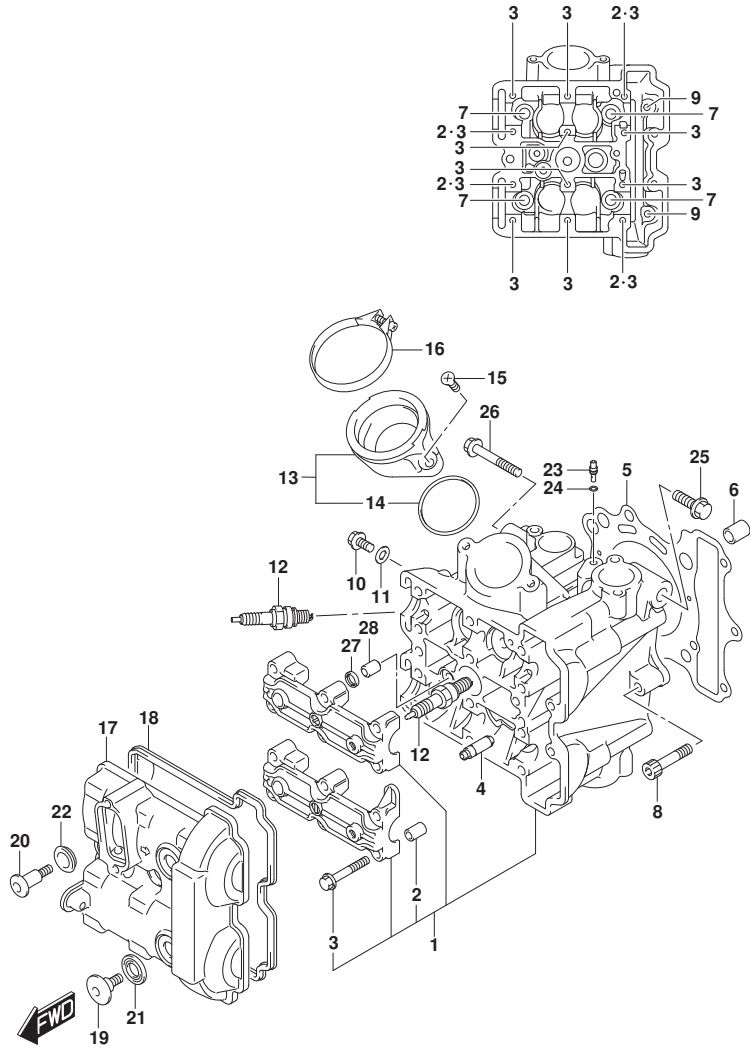


FIG.105A

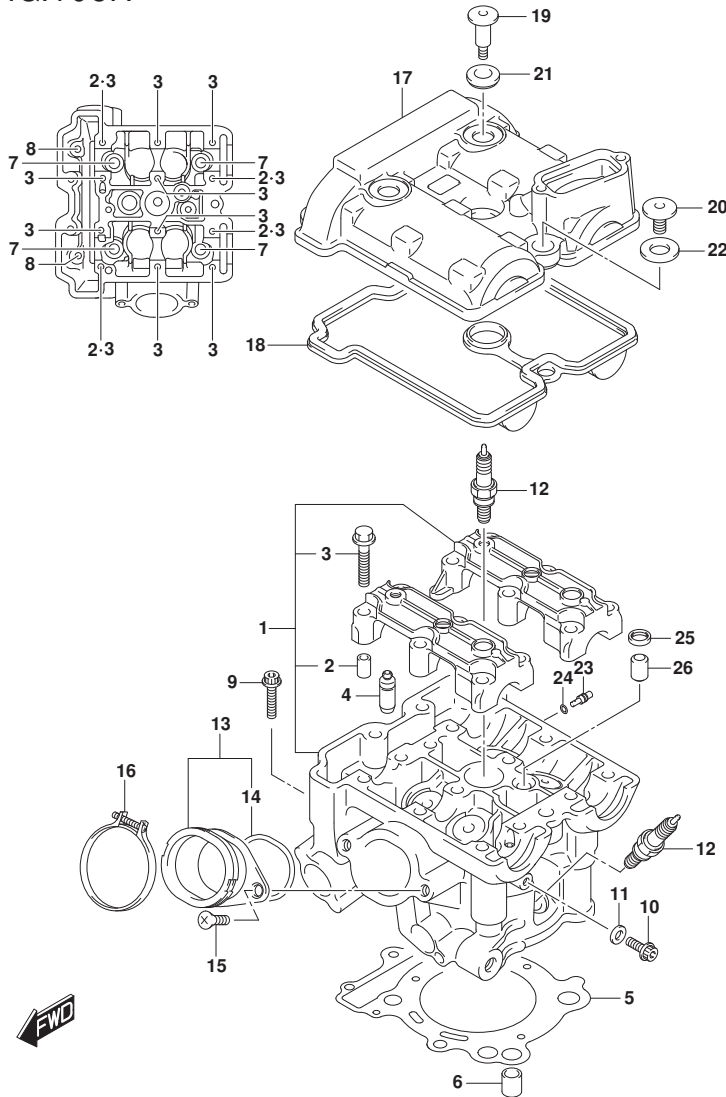


FIG.105A (1-B-4) CYLINDER HEAD (REAR)

REF NO.	PART NO.	DESCRIPTION	Q'TY	REMARKS
1	11103-18K00	HEAD ASSY,CYLINDER REAR	1	
2	09206-08001	.PIN (6.2X8X11)	4	
3	09103-06266	.BOLT (6X40)	12	
4	11115-18D72	GUIDE,VALVE (OS:0.3)	1	OPT
5	11141-20F00	GASKET,CYLINDER HEAD	1	
6	04211-13189	PIN	2	
7	11117-44H00	BOLT,CYL HEAD (10X160)	4	
8	09103-06103	BOLT (6X70)	2	
9	07120-0640A	BOLT	1	
10	01550-0612A	BOLT	1	
11	09168-06023	GASKET (5.8X13X1.2)	1	
12	09482-00646	PLUG,SPARK (MR8E-9)	4	
13	13102-17G10	PIPE ASSY,INTAKE REAR	1	
14	09280-46006	.O RING (D:2.4,ID:47X42)	1	
15	02122-0616B	SCREW	4	
16	13827-40H01	CLAMP,INTAKE PIPE	2	
17	11172-18K00	COVER,CYLINDER HEAD REAR	1	
18	11173-19F01	GASKET,CYLINDER HEAD COVER	2	
19	09106-07021	BOLT (7X17.5)	4	
20	09106-07010	BOLT (L:19)	2	
21	11191-27E00	WASHER,CYL HEAD COVER (L:5.5)	4	
22	11192-13E00	CUSHION,HEAD COVER BOLT	2	
23	09493-80005	JET (#80)	1	
24	09280-04004	O-RING (D:1.2,ID:4)	1	
25	11182-35F10	GASKET,2ND AIR PASSAGE	2	
26	09206-10016	PIN (8.2X10X13)	2	

FIG.107A

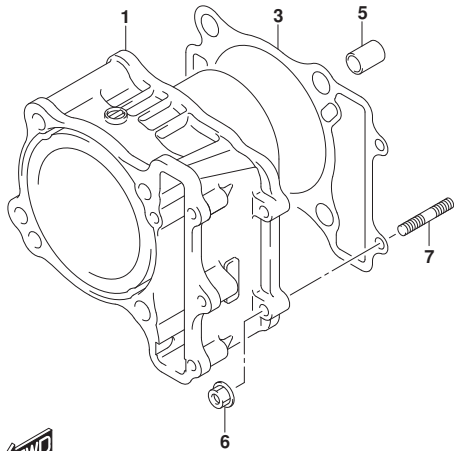
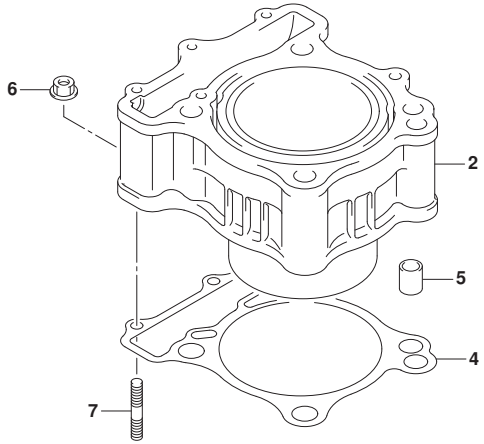


FIG.107A (1-B-5) CYLINDER

REF NO.	PART NO.	DESCRIPTION	Q'TY	REMARKS
1	11211-44H00-0F0	CYLINDER,FRONT	1	
2	11221-44H00-0F0	CYLINDER,REAR	1	
3	11241-19F10	GASKET,CYLINDER FRONT	1	
4	11242-19F00	GASKET,CYLINDER REAR	1	
5	04211-13189	PIN	4	
6	08316-1006A	NUT	4	
7	01421-0625A	BOLT,STUD	4	

FIG.108A

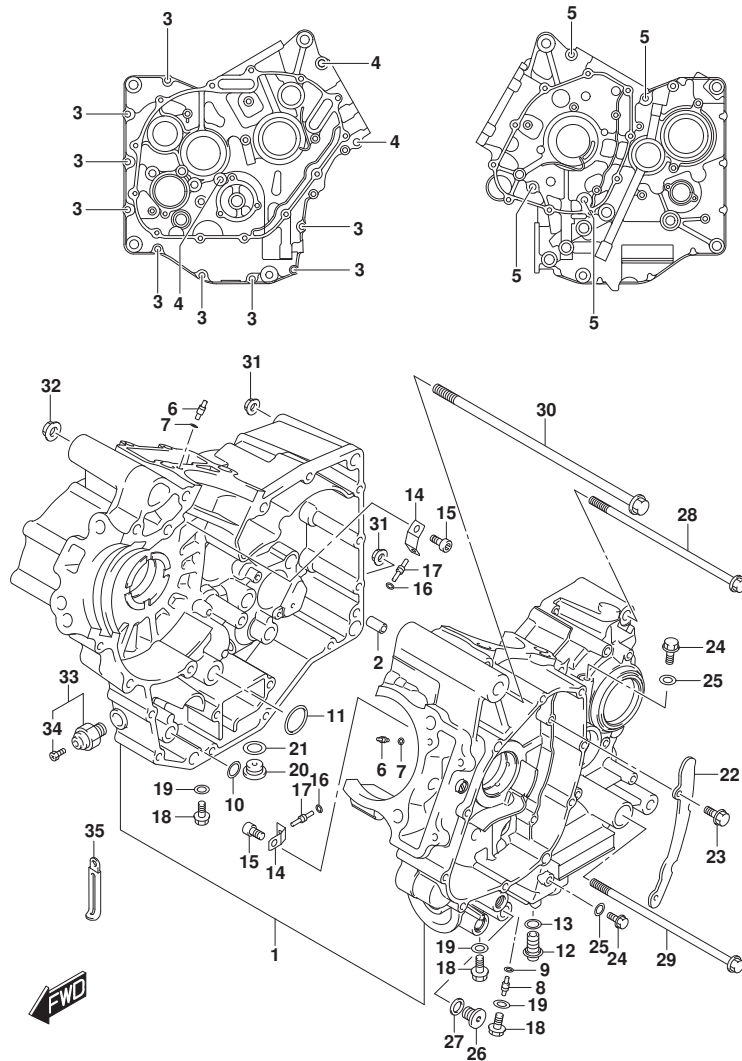


FIG.108A (1-B-6) CRANKCASE

REF NO.	PART NO.	DESCRIPTION	Q'TY	REMARKS
1	11301-27880	CRANKCASE SET	1	
2	09206-11007	.PIN (8.4X11X20)	2	
3	09103-06533	.BOLT,CRANKCASE (6X50)	9	
4	07120-0855A	.BOLT	3	
5	07120-0880A	.BOLT	4	
6	09493-28010	JET AIR (#14)	2	
7	09280-04004	O-RING (D:1.2,ID:4)	2	
8	09493-36004	JET,OIL GALY (#18)	1	
9	09280-04004	O-RING (D:1.2,ID:4)	1	
10	09280-13007	O-RING (D:1.9,ID:12.5)	1	
11	09280-15007	O-RING (D:2.4,ID:15.8)	1	
12	09247-12011	PLUG (12X20)	1	
13	09168-12002	GASKET (12.1X16.2X3.7)	1	
14	16438-19F00	PLATE,PISTON COOLING JET	2	
15	09106-06075	BOLT (6X12)	2	
16	09280-04004	O-RING (D:1.2,ID:4)	2	
17	09493-26007	JET (#130)	2	
18	01550-0812A	BOLT	3	
19	09168-08016	GASKET (8.2X14X1)	3	
20	09248-16012	PLUG (16X8)	1	
21	09168-16002	GASKET (16X22X2)	1	
22	11323-19F00	PLATE,OIL SEPARATOR	1	
23	01547-0612A	BOLT	2	
24	01547-0610A	BOLT	2	
25	09168-06023	GASKET (5.8X13X1.2)	2	
26	09247-12006	PLUG (12X10)	1	
27	09168-12002	GASKET (12.1X16.2X3.7)	1	
28	09103-10041-A05	BOLT (10X215)	1	
29	09103-10145	BOLT (L:205)	1	
30	09103-12016	BOLT (L:300)	1	
31	09159-10111	NUT	2	
32	09159-12056	NUT	1	
33	37820-33D10	SWITCH ASSY,OIL PRESSURE	1	
34	37822-33D00	.BOLT,OIL PRESSURE SWITCH	1	
35	09404-06429	CLAMP (L:45)	2	

FIG.112A

FIG.112A (1-B-7) CRANKCASE COVER

REF NO.	PART NO.	DESCRIPTION	Q'TY	REMARKS
1	11340-18K00	COVER,CLUTCH	1	
2	11971-33210	.LENS, OIL LEVEL CHECK	1	
3	08331-4130A	.CIRCLIP	1	
4	11482-44H00	GASKET,CLUTCH COVER	1	
5	04211-09149	PIN	2	
6	09103-06530	BOLT,CLUTCH COVER (6X35)	11	
7	11971-25D00	PLUG,ENGINE OIL FILLER	1	
8	09280-17003	O RING (D:3.1,ID:16.8)	1	
9	11343-44H01	SEPARATOR,OIL	1	
10	09106-06098	BOLT (6X12)	4	
11	11360-18K00	COVER,ENG SPROCKET	1	
12	09139-06029	SCREW (6X25)	3	
13	11351-44H10	COVER,MAGNETO	1	
14	11483-19F00	GASKET,MAGNETO COVER	1	
15	04211-09149	PIN	2	
16	09103-06530	BOLT,CLUTCH COVER (6X35)	8	
17	09103-06536	BOLT,MAGNETO COVER (6X65)	2	
18	09168-06023	GASKET (5.8X13X1.2)	2	
19	09259-26012	PLUG	1	
20	09280-22008	O RING (D:3.1,ID:22.7)	1	
21	09248-16012	PLUG (16X8)	1	
22	09168-16002	GASKET (16X22X2)	1	

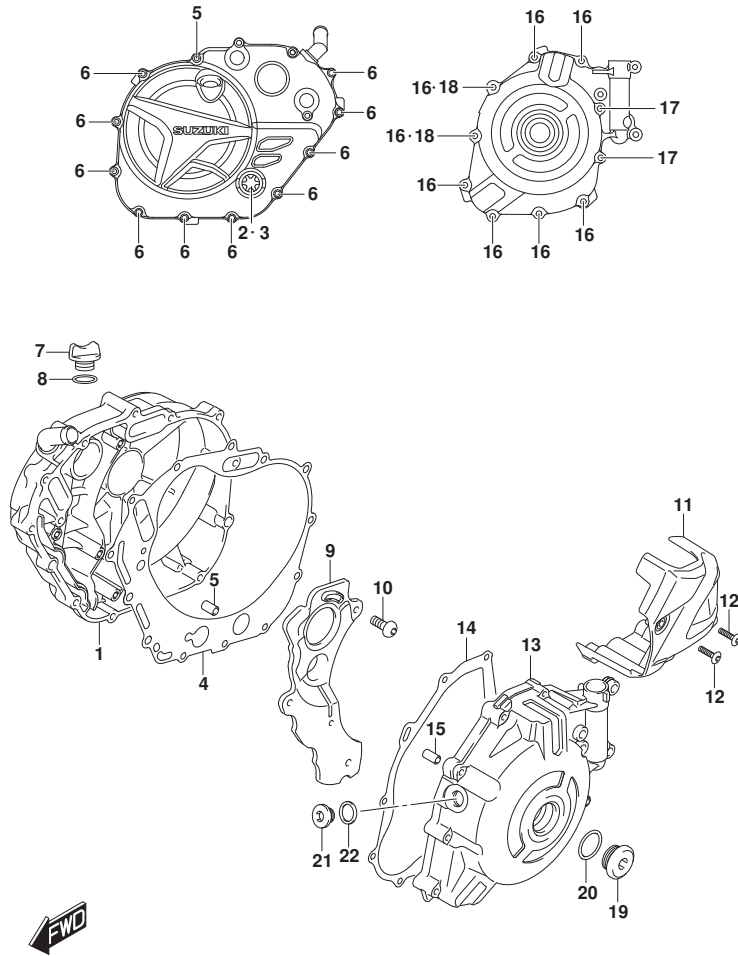




FIG.120A

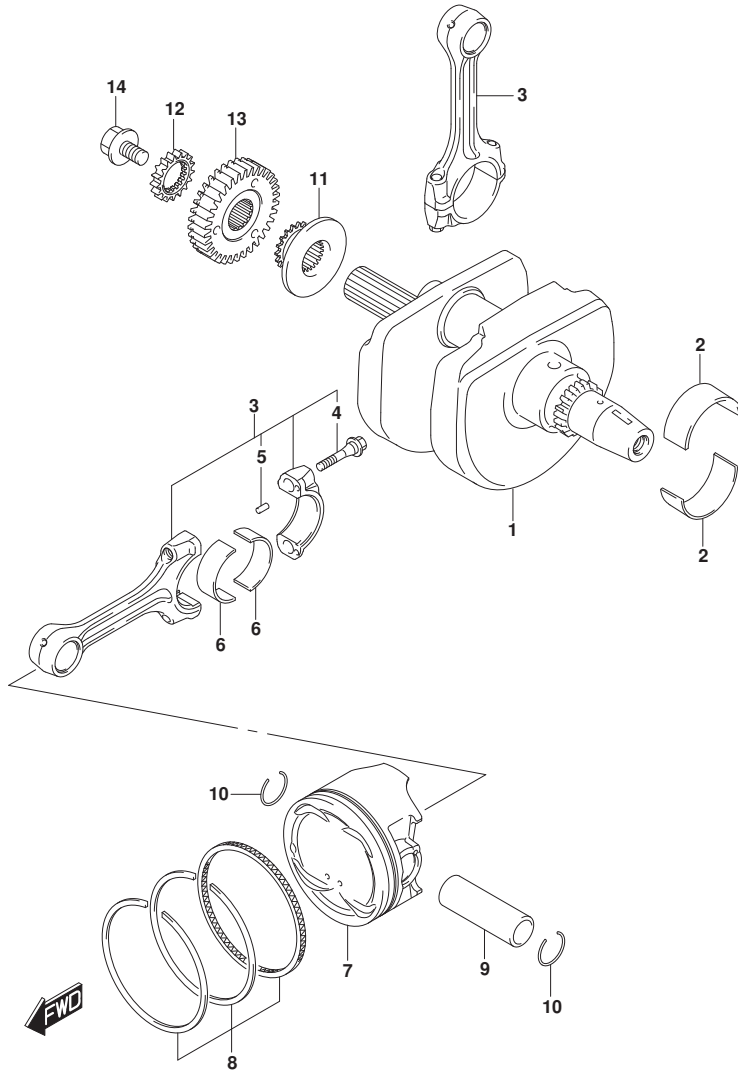


FIG.120A (1-B-8) CRANKSHAFT

REF NO.	PART NO.	DESCRIPTION	Q'TY	REMARKS
1	12220-44H20	CRANKSHAFT	1	
2-1	12229-44H10-0A0	BEARING,CRANKSHAFT	4	GREEN
2-2	12229-44H10-0B0	BEARING,CRANKSHAFT	4	BLACK
2-3	12229-44H10-0C0	BEARING,CRANKSHAFT	4	BROWN
3	12160-17G20	CONNROD ASSY	2	
4	12163-24F10	.BOLT,CONNROD	4	
5	04221-04089	.PIN	4	
6-1	12164-46E10-0A0	BEARING,CRANK PIN	4	GREEN
6-2	12164-46E10-0B0	BEARING,CRANK PIN	4	BLACK
6-3	12164-46E10-0C0	BEARING,CRANK PIN	4	BROWN
6-4	12164-46E10-0D0	BEARING,CRANK PIN	4	YELLOW
7	12111-18K01-0F0	PISTON	2	
8	12140-15H10	RING SET,PISTON	2	
9	12151-05A10	PIN,PISTON	2	
10	09381-20004	CIRCLIP	4	
11	12731-19F00	SPROCKET,CAM CHAIN DRIVE (NT:1 8)	1	
12	17451-17G00	GEAR,WATER PUMP DRIVE (NT:17)	1	
13	21100-44H00	GEAR ASSY,PRIMARY DRIVE (NT:34 )	1	
14	09103-10338	BOLT (10X19)	1	

FIG.122A

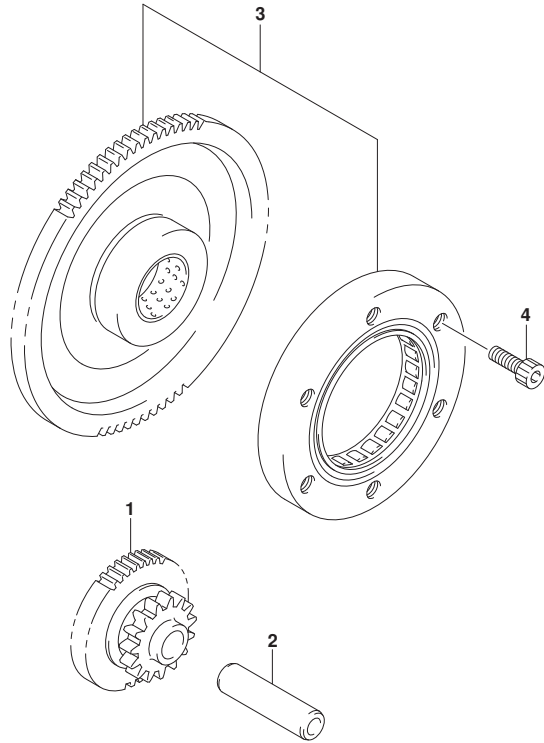


FIG.122A (1-B-9) STARTER CLUTCH

REF NO.	PART NO.	DESCRIPTION	Q'TY	REMARKS
1	12611-27G00	GEAR,STARTER IDLE (NT:15/53)	1	
2	09206-12006	PIN (8X12X45.5)	1	
3	12600-06821	CLUTCH SET,STARTER (NT:34)	1	
4	09106-08190	BOLT (8X16)	6	



FIG.126A

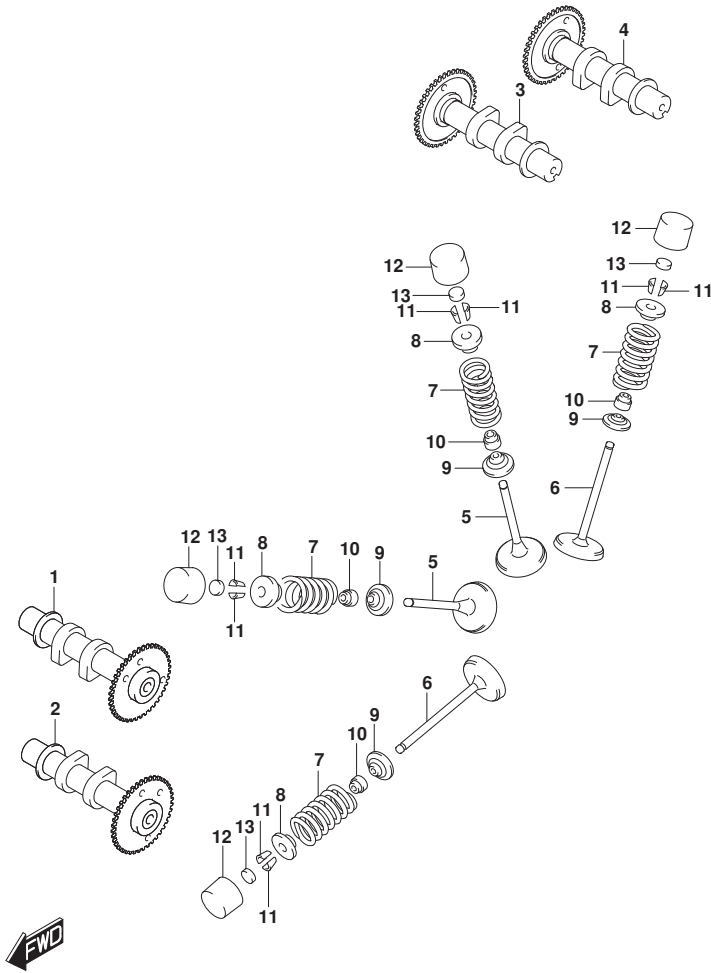


FIG.126A (1-B-10) CAMSHAFT/VALVE

REF NO.	PART NO.	DESCRIPTION	Q'TY	REMARKS
1	12710-44H00	CAMSHAFT,INTAKE FRONT	1	
2	12720-44H00	CAMSHAFT,EXHAUST FRONT (NT:36)	1	
3	12730-44H00	CAMSHAFT,INTAKE REAR	1	
4	12740-44H00	CAMSHAFT,EXHAUST REAR (NT:36)	1	
5	12911-18H00	VALVE,INTAKE	4	
6	12912-20F00	VALVE,EXHAUST	4	
7	12921-44H00	SPRING,VALVE	8	
8	12931-17E01	RETAINER,VALVE SPRING	8	
9	12933-17E00	SEAT,VALVE SPRING	8	
10	09289-04002	OIL SEAL (4.5X10X8)	8	
11	12932-32C00	COTTER,VALVE	16	
12	12891-47H00	TAPPET	8	
13-1	12892-05C00-120	SHIM,TAPPET (T:1.20)	8	
13-2	12892-05C00-125	SHIM,TAPPET (T:1.25)	8	
13-3	12892-05C00-130	SHIM,TAPPET (T:1.30)	8	
13-4	12892-05C00-135	SHIM,TAPPET (T:1.35)	8	
13-5	12892-05C00-140	SHIM,TAPPET (T:1.40)	8	
13-6	12892-05C00-145	SHIM,TAPPET (T:1.45)	8	
13-7	12892-05C00-150	SHIM,TAPPET (T:1.50)	8	
13-8	12892-05C00-155	SHIM,TAPPET (T:1.55)	8	
13-9	12892-05C00-160	SHIM,TAPPET (T:1.60)	8	
13-10	12892-05C00-165	SHIM,TAPPET (T:1.65)	8	
13-11	12892-05C00-170	SHIM,TAPPET (T:1.70)	8	
13-12	12892-05C00-175	SHIM,TAPPET (T:1.75,GOLD)	8	
13-13	12892-05C00-180	SHIM,TAPPET (T:1.80)	8	
13-14	12892-05C00-185	SHIM,TAPPET (T:1.85)	8	
13-15	12892-05C00-190	SHIM,TAPPET (T:1.90)	8	
13-16	12892-05C00-195	SHIM,TAPPET (T:1.95,BLUE)	8	
13-17	12892-05C00-200	SHIM,TAPPET (T:2.00)	8	
13-18	12892-05C00-205	SHIM,TAPPET (T:2.05)	8	
13-19	12892-05C00-210	SHIM,TAPPET (T:2.10)	8	
13-20	12892-05C00-215	SHIM,TAPPET (T:2.15)	8	
13-21	12892-05C00-220	SHIM,TAPPET (T:2.20)	8	
14	12800-05830	SHIM SET,TAPPET (5PCS.EACH)	1	OPT,NOT ILLUSTRATED
15	99000-69491	.CASE,TAPPET SHIM	1	OPT,NOT ILLUSTRATED

FIG.127A

FIG.127A (1-B-11) CAM CHAIN

REF NO.	PART NO.	DESCRIPTION	Q'TY	REMARKS
1	12760-19F01	CHAIN,CAMSHAFT DRIVE	2	
2	12771-44H01	GUIDE,CAM CHAIN NO.1	2	
3	12782-19F01	GUIDE,CAM CHAIN NO.2	2	
4	07130-0612A	BOLT	6	
5	12811-17G01	TENSIONER,CAM CHAIN	2	
6	12812-35C00	BOLT,CAM CHAIN TENSIONER	2	
7	08211-06181	WASHER	2	
8	12830-27G00	ADJUSTER ASSY,TENSIONER FRONT	1	
9	12837-24F10	.GASKET,TENSIONER ADJUSTER	1	
10	12831-39F00	.SPRING	1	
11	12830-27G10	ADJUSTER ASSY,TENSIONER REAR	1	
12	12837-24F10	.GASKET,TENSIONER ADJUSTER	1	
13	12831-39F00	.SPRING	1	
14	12833-17G00	PLUG,TENSIONER ADJUSTER	2	
15	12837-27G10	GASKET,TENSIONER ADJUSTER	2	
16	07130-0625A	BOLT	4	

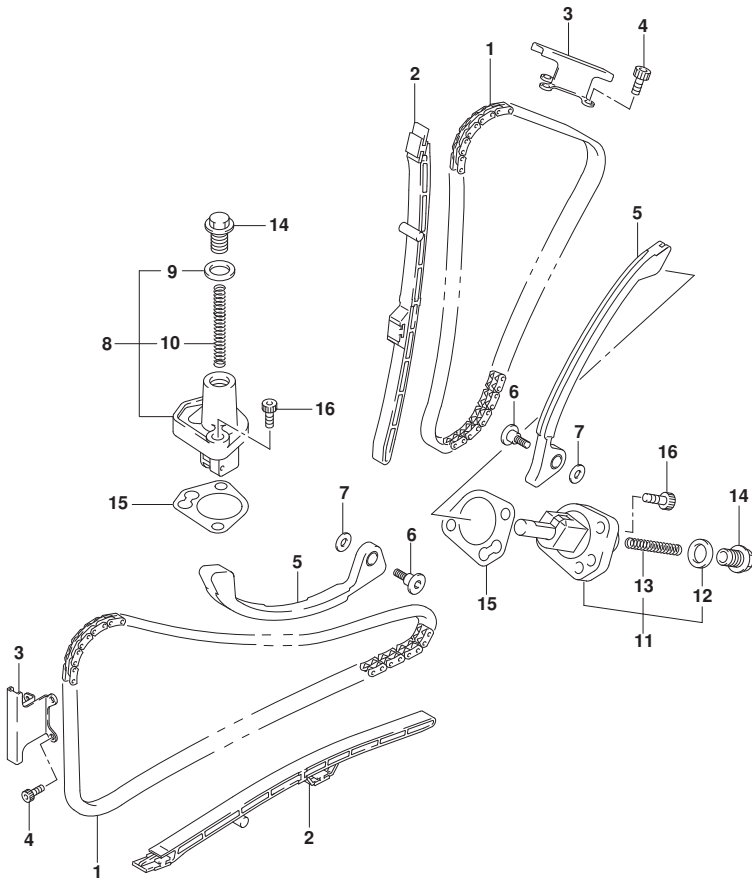


FIG.140B

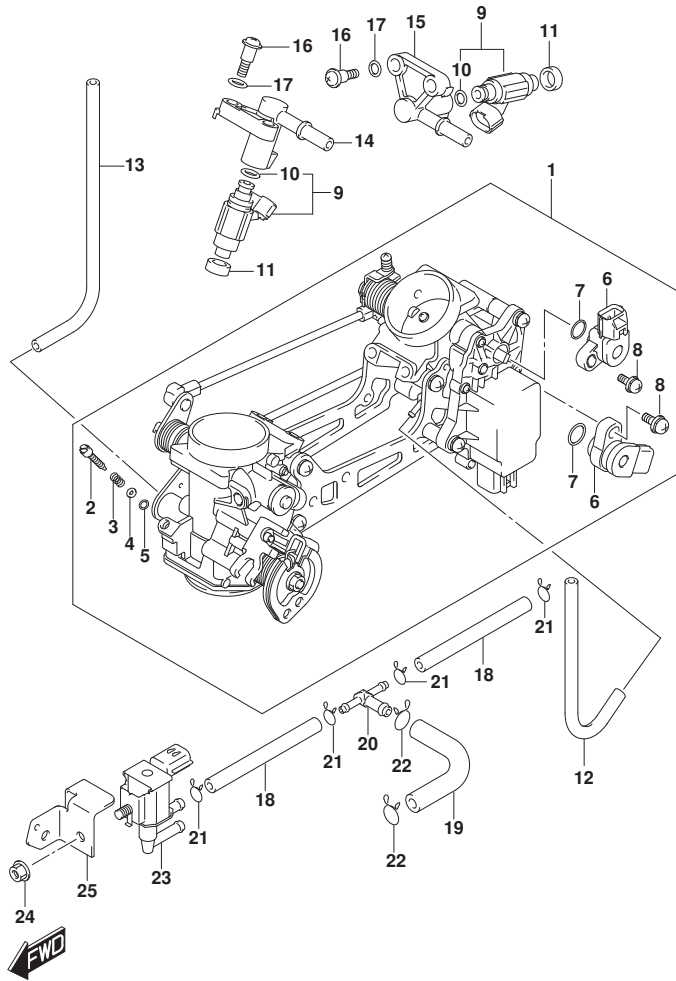


FIG.140B (1-B-12) THROTTLE BODY

REF NO.	PART NO.	DESCRIPTION	Q'TY	REMARKS
1	13405-18K10	BODY ASSY,THROTTLE	1	
2	13269-33E00	.SCREW	2	
3	13268-48700	.SPRING,THROTTLE SCREW	2	
4	13606-47A00	.WASHER	2	
5	13295-29900	.O-RING	2	
6	13580-27G21	.SENSOR	2	
7	13575-29G00	.O RING	2	
8	13605-02F00	.SCREW	2	
9	15710-11J00	INJECTOR ASSY	2	
10	15717-58B00	.O-RING	2	
11	15722-29G00	SEAL	2	
12	13683-10F70	HOSE	1	
13	13683-01H00	HOSE	1	
14	15731-11J00	DELIVERY PIPE	1	
15	15732-11J00	DELIVERY PIPE	1	
16	13601-11J00	SCREW,DELIVERY PIPE	4	
17	13602-29G00	PACKING	4	
18	13681-06G40	HOSE	2	
19	13683-44H30	HOSE	1	
20	13685-04F10	NIPPLE	1	
21	13671-12C00	CLIP	4	
22	09401-10410	CLIP	2	
23	18117-52G10	VALVE	1	
24	08316-1006A	NUT	1	
25	18119-44H00	BRACKET	1	

FIG.155B

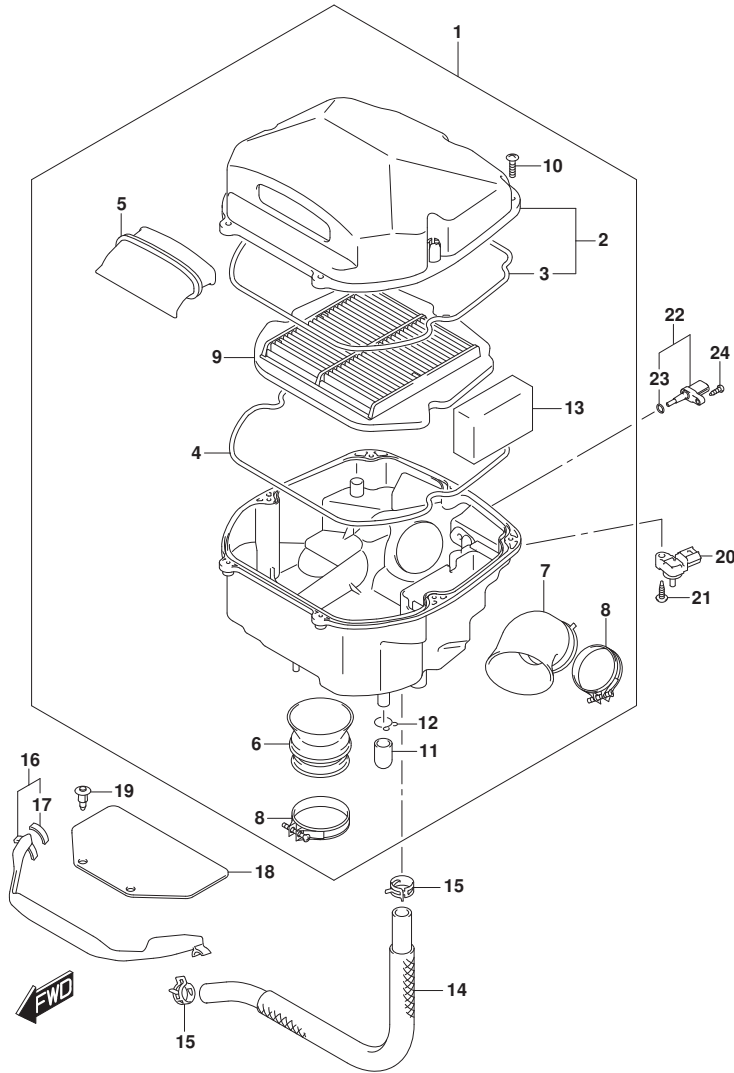


FIG.155B (1-B-13) AIR CLEANER

REF NO.	PART NO.	DESCRIPTION	Q'TY	REMARKS
1	13700-18K10	CLEANER ASSY,AIR	1	
2	13740-44H00	.CAP,AIR CLEANER	1	
3	13746-44H00	.GASKET	1	
4	13746-44H00	.GASKET	1	
5	13891-18K00	.TUBE,INLET	1	
6	13881-18K00	.TUBE,OUTLET A	1	
7	13882-18K00	.TUBE,OUTLET B	1	
8	13826-44H01	.CLAMP,OUTLET TUBE	2	
9	13780-44H00	.FILTER,AIR CLEANER	1	
10	03541-0520A	.SCREW	7	
11	13859-41B10	.PLUG	1	
12	09401-14101	.CLIP (ID:14.5)	1	
13	13788-44H00	.FILTER,BREATHER	1	
14	13850-18K00	TUBE,BREATHER	1	
15	09401-20405	CLIP	2	
16	13840-44H00	COVER,CLEANER INLET	1	
17	44894-24A00	.CUSHION (10X30X2)	2	
18	13841-44H00	SHEET,CLEANER INLET	1	
19	09409-08308-5ES	CLIP (7.6X25.7,BLACK)	2	
20	18590-18K00	SENSOR, AIR PRESSURE	2	
21	03541-0520A	SCREW	2	
22	13650-41F10	SENSOR,AIR TEMP	1	
23	13655-41F10	.O RING	1	
24	03511-0516A	SCREW	1	

FIG.163A

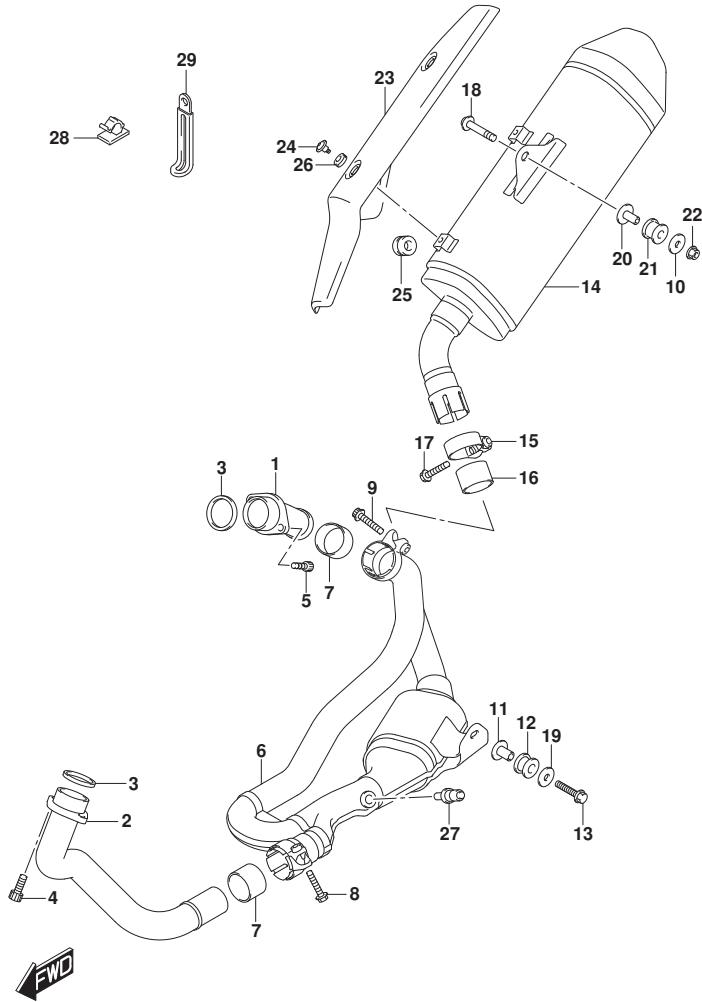


FIG.163A (1-B-14) MUFFLER (SV650A)

REF NO.	PART NO.	DESCRIPTION	Q'TY	REMARKS
1	14150-18K00	PIPE,EXH RR	1	
2	14160-18K00	PIPE,EXH FR	1	
3	14181-22D01	GASKET,EXHAUST PIPE	2	
4	09106-08178	BOLT (8X25)	2	
5	07130-0825A	BOLT	2	
6	14205-18K11	PIPE,EXH CTR	1	
7	14771-32E10	CONNECTOR,EXH	2	
8	09103-08365	BOLT (8X35)	1	
9	09106-08162	BOLT (8X40)	1	
10	09160-08135	WASHER (8.5X28X1.5)	1	
11	09180-08152	SPACER (8.6X12X24.2)	1	
12	09320-12077	CUSHION	1	
13	01550-0840A	BOLT	1	
14	14310-18K30-H01	BODY,MUFFLER (BLACK,MAROON,SILVER)	1	
15	14459-19F10	CLAMP,MUF CONN	1	
16	14771-32E10	CONNECTOR,EXH	1	
17	09106-08197	BOLT (8X35)	1	
18	09106-08195	BOLT (8X45)	1	
19	09160-08157	WASHER (8.5X28X1.6)	1	
20	09180-08152	SPACER (8.6X12X24.2)	1	
21	09320-12048	CUSHION	1	
22	08316-1008B	NUT	1	
23	14780-18K10	COVER,MUF	1	
24	09139-06124	SCREW (6X12)	2	
25	09320-04009	BUSH	1	
26	09320-08066	CUSHION	2	
27	18213-18K00	SENSOR,OXYGEN	1	
28	09403-08327	CLIP	1	
29	09404-06429	CLAMP (L:45)	1	

FIG.163B

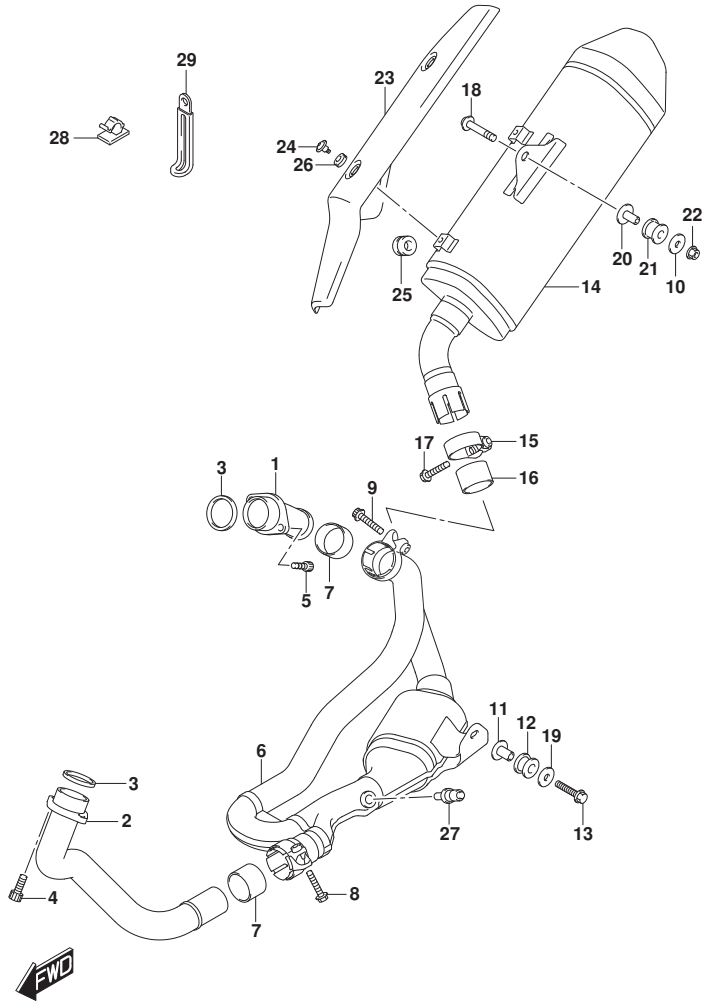


FIG.163B (1-B-15) MUFFLER (SV650XA)

REF NO.	PART NO.	DESCRIPTION	Q'TY	REMARKS
1	14150-18K00	PIPE,EXH RR	1	
2	14160-18K00	PIPE,EXH FR	1	
3	14181-22D01	GASKET,EXHAUST PIPE	2	
4	09106-08178	BOLT (8X25)	2	
5	07130-0825A	BOLT	2	
6	14205-18K11	PIPE,EXH CTR	1	
7	14771-32E10	CONNECTOR,EXH	2	
8	09103-08365	BOLT (8X35)	1	
9	09106-08162	BOLT (8X40)	1	
10	09160-08135	WASHER (8.5X28X1.5)	1	
11	09180-08152	SPACER (8.6X12X24.2)	1	
12	09320-12077	CUSHION	1	
13	01550-0840A	BOLT	1	
14	14310-18K50-H01	BODY,MUFFLER (BLACK,MAROON,SILVER)	1	
15	14459-19F10	CLAMP,MUF CONN	1	
16	14771-32E10	CONNECTOR,EXH	1	
17	09106-08197	BOLT (8X35)	1	
18	09106-08195	BOLT (8X45)	1	
19	09160-08157	WASHER (8.5X28X1.6)	1	
20	09180-08152	SPACER (8.6X12X24.2)	1	
21	09320-12048	CUSHION	1	
22	08316-1008B	NUT	1	
23	14780-18K40	COVER,MUF	1	
24	09139-06128	SCREW (6X12)	2	
25	09320-04009	BUSH	1	
26	09320-08066	CUSHION	2	
27	18213-18K00	SENSOR,OXYGEN	1	
28	09403-08327	CLIP	1	
29	09404-06429	CLAMP (L:45)	1	



FIG.170A

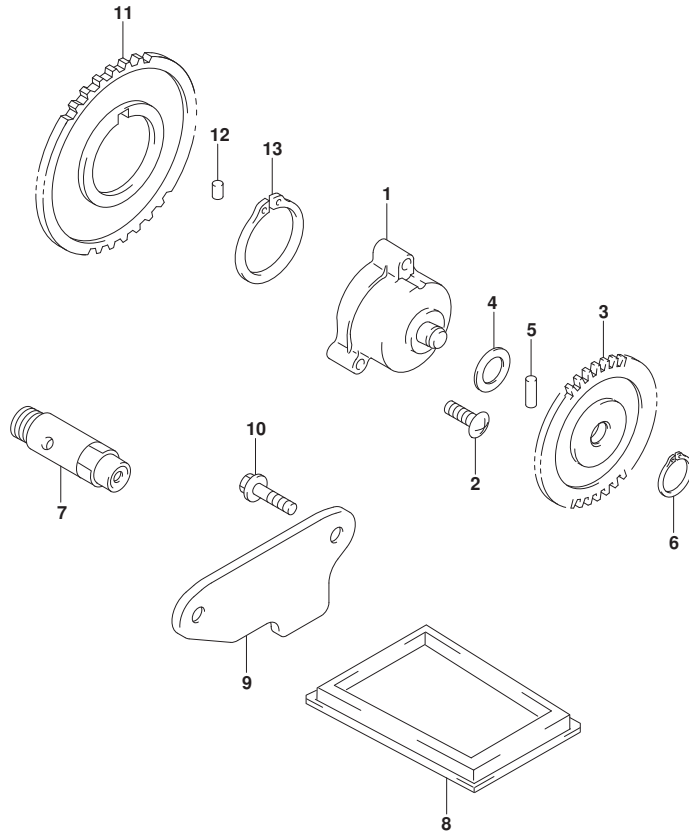


FIG.170A (1-B-16) OIL PUMP

REF NO.	PART NO.	DESCRIPTION	Q'TY	REMARKS
1	16400-20F00	PUMP ASSY,ENG OIL	1	
2	07130-0625A	BOLT	3	
3	16331-19F00	GEAR,ENG OIL PUMP DRIVEN (NT:3 4)	1	
4	09181-10158	SHIM (10X18X0.5)	1	
5	09261-04001	PIN (4X18.5)	1	
6	08331-31109	CIRCLIP	1	
7	16440-17C20	VALVE ASSY,OIL RELIEF	1	
8	16520-32E00	STRAINER,ENG OIL	1	
9	16523-17G00	CAP,OIL STRAINER	1	
10	07130-0612A	BOLT	2	
11	16321-19F00	GEAR,ENG OIL PUMP DRIVE (NT:45 )	1	
12	09261-06002	PIN (OD:6,L:6)	1	
13	08331-31383	CLIP	1	



FIG.172A

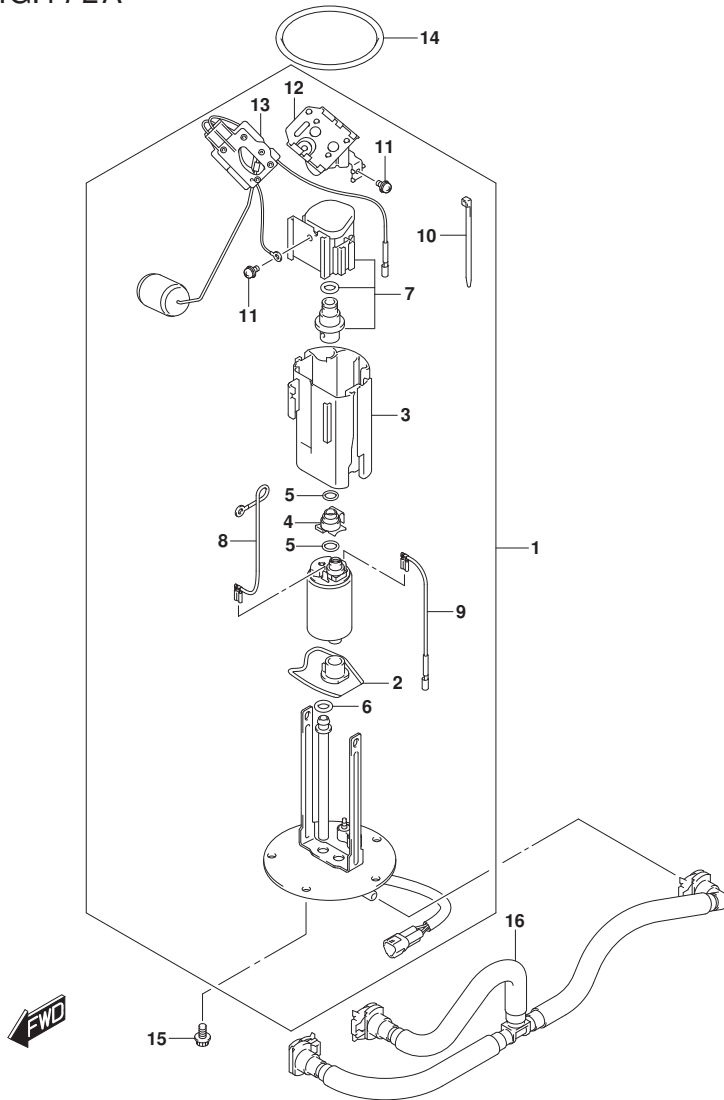


FIG.172A (1-C-2) FUEL PUMP

REF NO.	PART NO.	DESCRIPTION	Q'TY	REMARKS
1	15100-18K00	PUMP ASSY, FUEL	1	
2	15420-31J00	.STRAINER, FUEL PUMP	1	
3	15111-27G00	.CUP, RESERVOIR	1	
4	15112-05H00	.JOINT	1	
5	15113-05H00	.O-RING	2	
6	15113-35F00	.O-RING	1	
7	15610-14J00	.REGULATOR, FUEL	1	
8	15114-14J00	.WIRE, EARTH	1	
9	15115-08J00	.WIRE, LEAD	1	
10	15151-31J00	.BINDEER	1	
11	15116-10F00	.SCREW	3	
12	15181-18K00	.BRACKET, FUEL GAUGE	1	
13	34810-18K00	.GAUGE, FUEL LEVEL SENDER	1	
14	15201-35F00	O RING, FUEL PUMP	1	
15	07120-0612A	BOLT	5	
16	15810-18K00	HOSE, FUEL	1	

FIG.178A

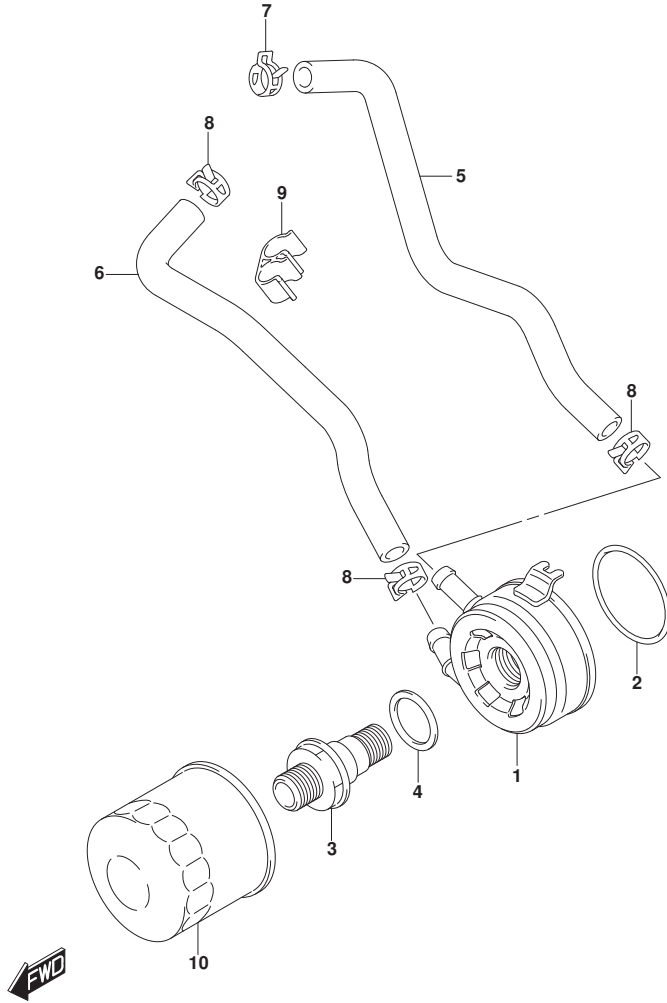


FIG.178A (1-C-3) OIL COOLER

REF NO.	PART NO.	DESCRIPTION	Q'TY	REMARKS
1	16600-44H00	COOLER ASSY,OIL	1	
2	09280-55002	O RING (D:3.1,ID:54.5)	1	
3	16591-02F00	BOLT,OIL COOLER UNION	1	
4	09181-25160	SHIM (25X34X0.7)	1	
5	16461-18K00	HOSE,OIL COOLER IN	1	
6	16471-44H00	HOSE,OIL COOLER OUT	1	
7	09401-16407	CLIP (ID:16.5)	1	
8	09401-16409	CLIP	3	
9	09408-00267	CLAMP	1	
10	16510-07J00	FILTER ASSY,ENGINE OIL (P1.0)	1	

FIG.180A

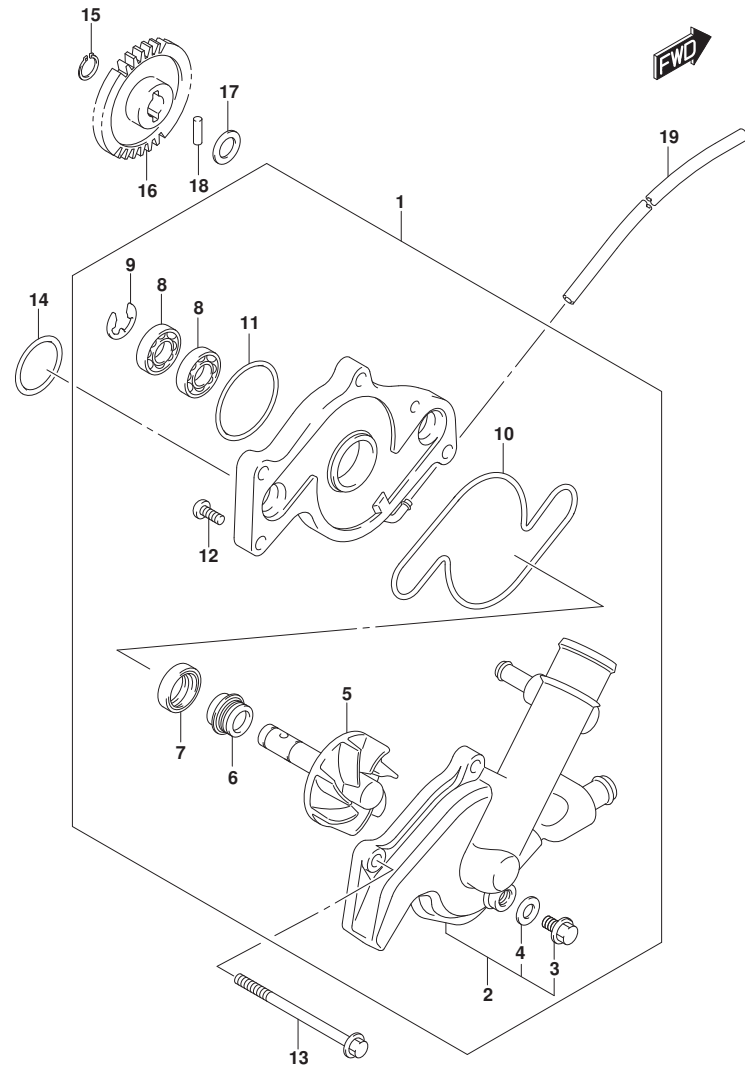


FIG.180A (1-C-4) WATER PUMP

REF NO.	PART NO.	DESCRIPTION	Q'TY	REMARKS
1	17400-18K00	PUMP ASSY, WATER	1	
2	17411-18K00	.CASE, WATER PUMP	1	
3	17415-20920	..BOLT,DRAIN	1	
4	09168-08008	..GASKET (8.2X14X1)	1	
5	17491-19F40	.SHAFT,IMPELLER	1	
6	17470-02F10	.SEAL,WATER PUMP SHAFT MECH	1	
7	17461-48G00	.SEAL,OIL (10X21X5)	1	
8	09262-10014	.BEARING (10X26X8)	2	
9	08332-1108A	.E RING	1	
10	17418-19F00	.O RING	1	
11	17435-33400	.O-RING	1	
12	02112-0510A	.SCREW	2	
13	09103-06537	BOLT,WATER PUMP CASE	3	
14	09280-22001	O RING (D:2.4,ID:21.8)	2	
15	08331-31109	CIRCLIP	1	
16	17461-44H00	GEAR,WATER PUMP DRIVEN (NT:34)	1	
17	09181-10158	SHIM (10X18X0.5)	1	
18	09261-04002	ROLLER (4X13.8)	1	
19	09352-35653-600	HOSE (3.5X6.5X600)	1	

FIG.185A

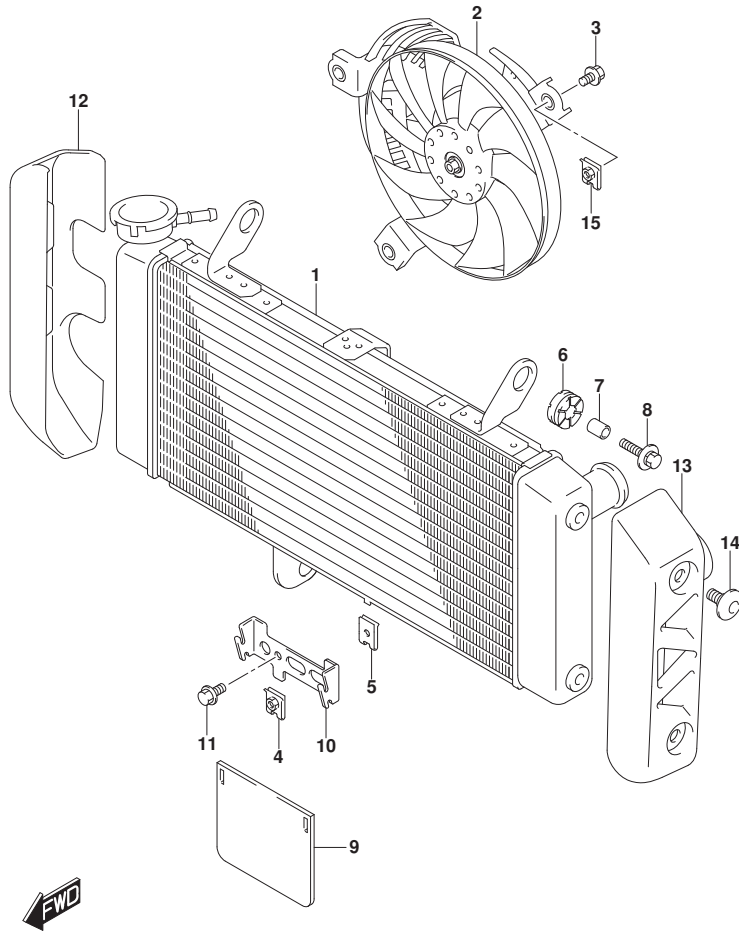


FIG.185A (1-C-5) RADIATOR

REF NO.	PART NO.	DESCRIPTION	Q'TY	REMARKS
1	17710-18K00	RADIATOR ASSY,WATER	1	
2	17800-18K00	FAN ASSY,RADIATOR	1	
3	01550-0616A	BOLT	3	
4	17802-14F00	NUT,RADIATOR FAN	1	
5	17802-45G00	NUT	1	
6	09320-10051	CUSHION	3	
7	09180-06290	SPACER (6.5X10X12)	3	
8	09118-06097	BOLT (6X25)	3	
9	17781-17G00	RUBBER,RADIATOR UNDER	1	
10	17741-17G00	BRACKET,RDTR UNDER RUBBER	1	
11	01547-0610A	BOLT	1	
12	17761-18K00	COVER,RADIATOR RH	1	
13	17762-18K00	COVER,RADIATOR LH	1	
14	09139-06183	SCREW (6X12)	4	
15	17802-12K00	NUT	1	

FIG.187A

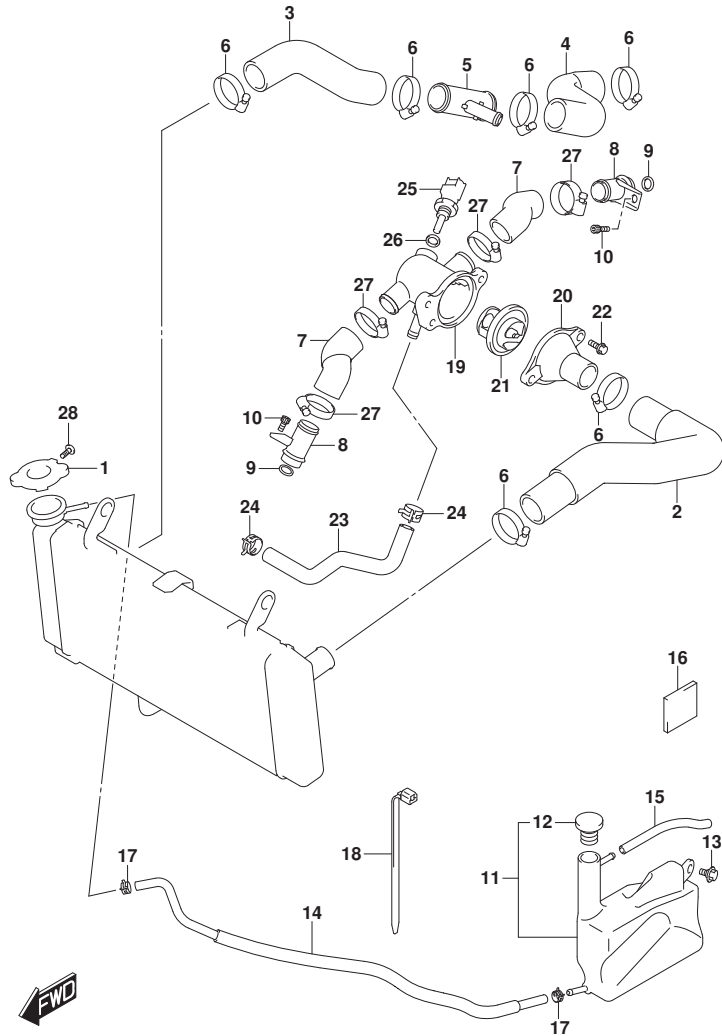


FIG.187A (1-C-6) RADIATOR HOSE

REF NO.	PART NO.	DESCRIPTION	Q'TY	REMARKS
1	17730-08D10	CAP,RADIATOR (1.1)	1	
2	17851-44H00	HOSE,RADIATOR INLET	1	
3	17852-44H00	HOSE,RADIATOR OUTLET NO.1	1	
4	17854-18K00	HOSE,RADIATOR OUTLET NO.2	1	
5	17881-18K00	PIPE,WATER HOSE THREE WAY	1	
6	09402-35501	CLAMP	6	
7	17853-19F00	HOSE,CONNECTOR INLET	2	
8	17890-06G20	UNION,CONNECTOR HOSE	2	
9	09280-18008	O RING (D:3.2,ID:17.8)	2	
10	07130-0612A	BOLT	2	
11	17910-18K00	TANK ASSY,RESERVOIR	1	
12	17931-02FA0	.CAP,RESERVOIR TANK	1	
13	09111-06063	BOLT (6X12)	1	
14	17981-44H00	HOSE,RSVR TANK INLET	1	
15	09352-50901-600	HOSE (5X9X600 L:600)	1	
16	63191-25C00	CUSHION (30X40)	1	
17	09401-08411	CLIP (ID:8.6)	2	
18	09407-18402	CLAMP (L:165)	1	
19	17662-02F11	CONNECTOR,THERMOSTAT,INLET	1	
20	17663-17G00	CAP,THERMOSTAT CONNECTOR	1	
21	17670-06G60	THERMOSTAT,WATER	1	
22	09103-06526	BOLT,CONNECTOR (6X16)	2	
23	17856-44H00	HOSE,CONNECTOR TO WTR PMP	1	
24	09401-12414	CLAMP	2	
25	13650-49X00	SENSOR,TEMP	1	
26	09168-12017	GASKET (12X17X1)	1	
27	09402-28513	CLAMP	4	
28	17733-03D10	SCREW,RADIATOR CAP	1	

FIG.189A

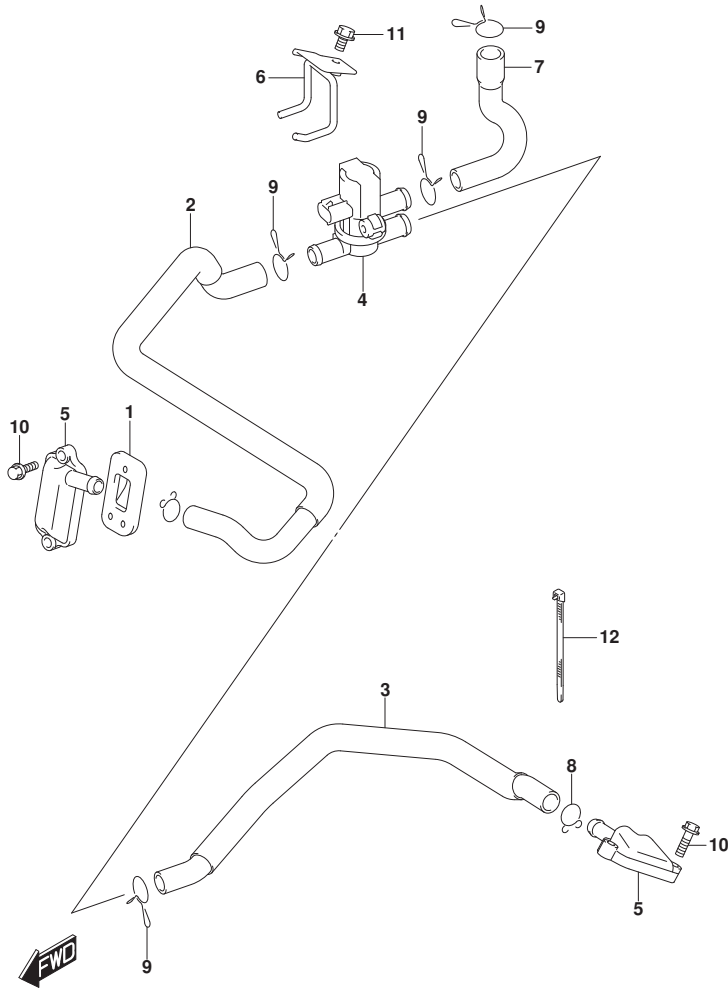


FIG.189A (1-C-7) 2ND AIR

REF NO.	PART NO.	DESCRIPTION	QTY	REMARKS
1	13150-28H10	VALVE ASSY,OIL REED	2	
2	18461-18K00	HOSE,2ND AIR VALVE FR	1	
3	18471-18K00	HOSE,2ND AIR VALVE RR	1	
4	18510-29G31	VALVE ASSY,AIR CUT	1	
5	18531-06G20	COVER,2ND AIR REED VALVE	2	
6	18610-18K00	BRACKET,2ND AIR VALVE	1	
7	18711-18K00	HOSE,2ND AIR CLNR	1	
8	09401-15101	CLIP (ID:15.5)	2	
9	09401-17201	CLIP	4	
10	09103-06527	BOLT,GEAR SHIFT LINK ARM	4	
11	01550-0610A	BOLT	1	
12	09407-14407	CLAMP (L:145)	1	

FIG.201A

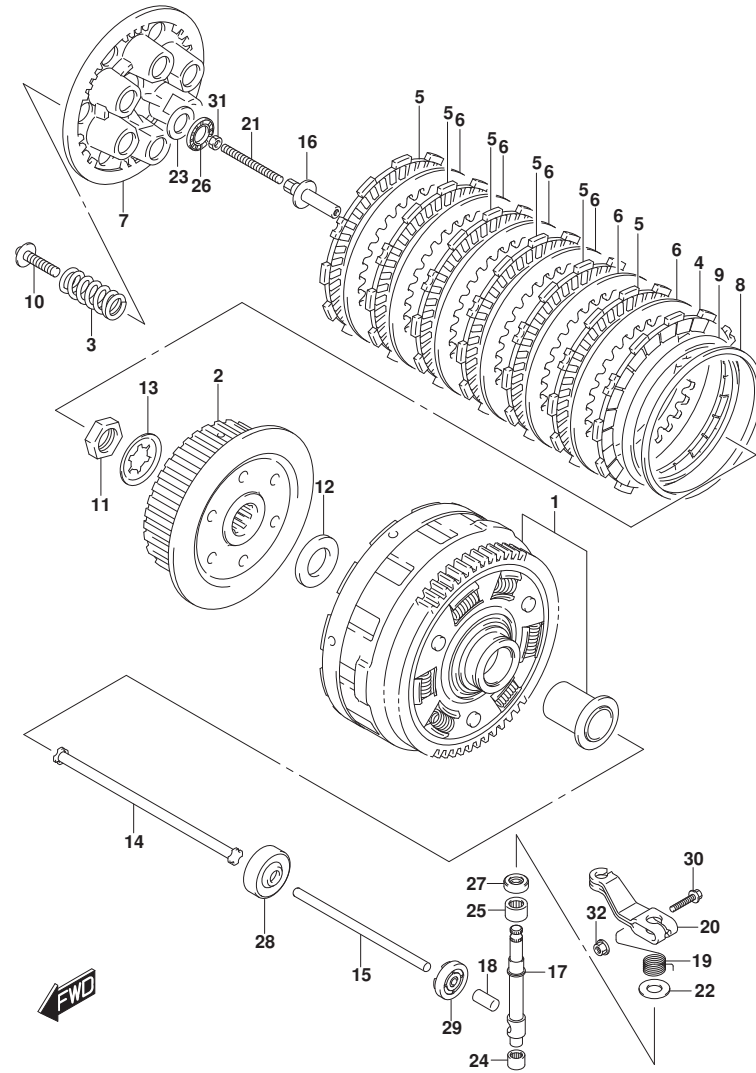


FIG.201A (1-C-8) CLUTCH

REF NO.	PART NO.	DESCRIPTION	Q'TY	REMARKS
1	21200-44860	GEAR ASSY,PRIMARY DRIVEN (NT:7 1)	1	
2	21411-44101	HUB,CLUTCH SLEEVE	1	
3	21413-17G01	SPRING,CLUTCH	6	
4	21442-29F10	PLATE,CLUTCH DRIVE NO.2 (T:3.0 )	1	
5	21441-29F30	PLATE,CLUTCH DRIVE (T:3.0)	6	
6	21451-28C31	PLATE,CLUTCH DRIVEN (T:1.6)	6	
7	21462-14301	DISC,CLUTCH PRESSURE	1	
8	21471-17G00	SEAT,WAVE WASHER	1	
9	21472-17G00	WASHER,CLUTCH PLATE WAVE	1	
10	09116-06203	BOLT (6X30)	6	
11	09140-20001	NUT	1	
12	09160-20067	WASHER (20X36X3)	1	
13	09167-20006	WASHER,LOCK	1	
14	23110-44111	ROD,PUSH RH	1	
15	23111-15501	ROD,CLUTCH PUSH LH	1	
16	23121-44H00	PIECE,CLUTCH PUSH	1	
17	23122-44H00	CAMSHAFT,CLUTCH RELEASE	1	
18	23123-41G00	CAP,CLUTCH PUSH ROD	1	
19	23125-41G00	SPRING,CLUTCH RELEASE RETURN	1	
20	23271-44H21	ARM,CLUTCH RELEASE	1	
21	09134-06015	SCREW (6X73)	1	
22	09160-10020	WASHER (10.5X24X1)	1	
23	09160-15045	WASHER (15.5X28X1)	1	
24	09263-10014	BEARING (10X14X10)	1	
25	09263-12027	BEARING (12X18X12)	1	
26	09263-15003	BEARING (15X28X2)	1	
27	09282-10012	SEAL,OIL (10X20X6)	1	
28	09283-06008	OIL SEAL (6X34X10.5)	1	
29	09285-10004	OIL SEAL (10X17X5)	1	
30	01550-0625A	BOLT	1	
31	08310-0006A	NUT	1	
32	08316-1006A	NUT	1	



FIG.206A

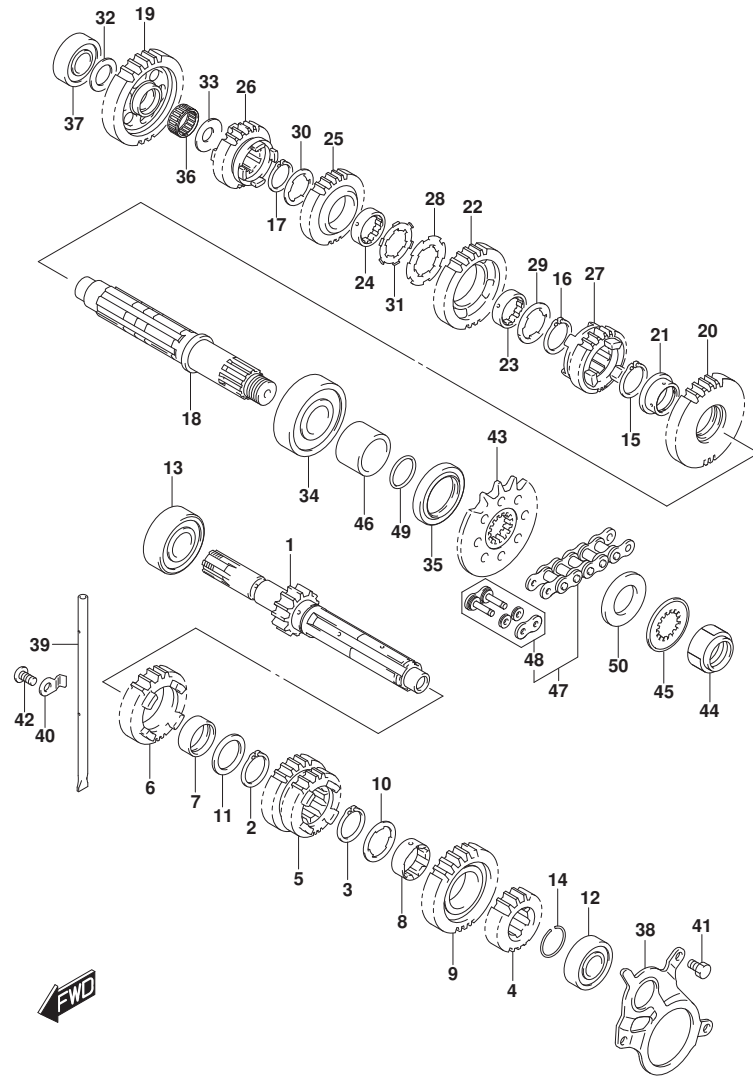


FIG.206A (1-C-9) TRANSMISSION

REF NO.	PART NO.	DESCRIPTION	Q'TY	REMARKS
1	24120-27G00	SHAFT,COUNTER (NT:13)	1	
2	24127-19F00	CIRCLIP	1	
3	24127-19F00	CIRCLIP	1	
4	24221-20F10	GEAR,2ND DRIVE (NT:18)	1	
5	24231-20F10	GEAR,3RD & 4TH DRIVE (NT:21/24	1	
6	24251-20F02	GEAR,5TH DRIVE (NT:26)	1	
7	24252-19F00	BUSH	1	
8	24252-38A10	BUSH,6TH DRIVE GEAR	1	
9	24261-20F00	GEAR,6TH DRIVE GEAR (NT:27)	1	
10	09167-25021	WASHER,LOCK (25.1X33X1.0)	1	
11	09181-25167	SHIM (25X34X1)	1	
12	09262-17046	BEARING (17X40X12)	1	
13	09262-20116	BEARING (20X52X15)	1	
14	09380-25012	CIRCLIP	1	
15	24127-19F00	CIRCLIP	1	
16	24127-19F00	CIRCLIP	1	
17	24127-19F00	CIRCLIP	1	
18	24130-44H30	SHAFT,DRIVE	1	
19	24311-44H00	GEAR,1ST DRIVEN (NT:32)	1	
20	24321-44H10	GEAR,2ND DRIVEN (NT:32)	1	
21	24322-19F10	BUSH,2ND DRIVEN GEAR	1	
22	24331-44H00	GEAR,3RD DRIVEN (NT:29)	1	
23	24332-24510	BUSH,DRIVEN GEAR	1	
24	24332-24510	BUSH,DRIVEN GEAR	1	
25	24341-44H00	GEAR,4TH DRIVEN (NT:27)	1	
26	24351-44H10	GEAR,5TH DRIVEN (NT:25)	1	
27	24361-44H00	GEAR,6TH DRIVEN (NT:23)	1	
28	09167-25013	WASHER,LOCK (25.1X41X1.5)	1	
29	09167-25021	WASHER,LOCK (25.1X33X1.0)	1	
30	09167-25021	WASHER,LOCK (25.1X33X1.0)	1	
31	09169-25001	WASHER (25.1X37X2.5)	1	
32	09181-17195	SHIM (17X28X1.0)	1	
33	09181-20195	SHIM (20X30X1)	1	
34	09262-25125	BEARING (25X62X17)	1	

FIG.206A

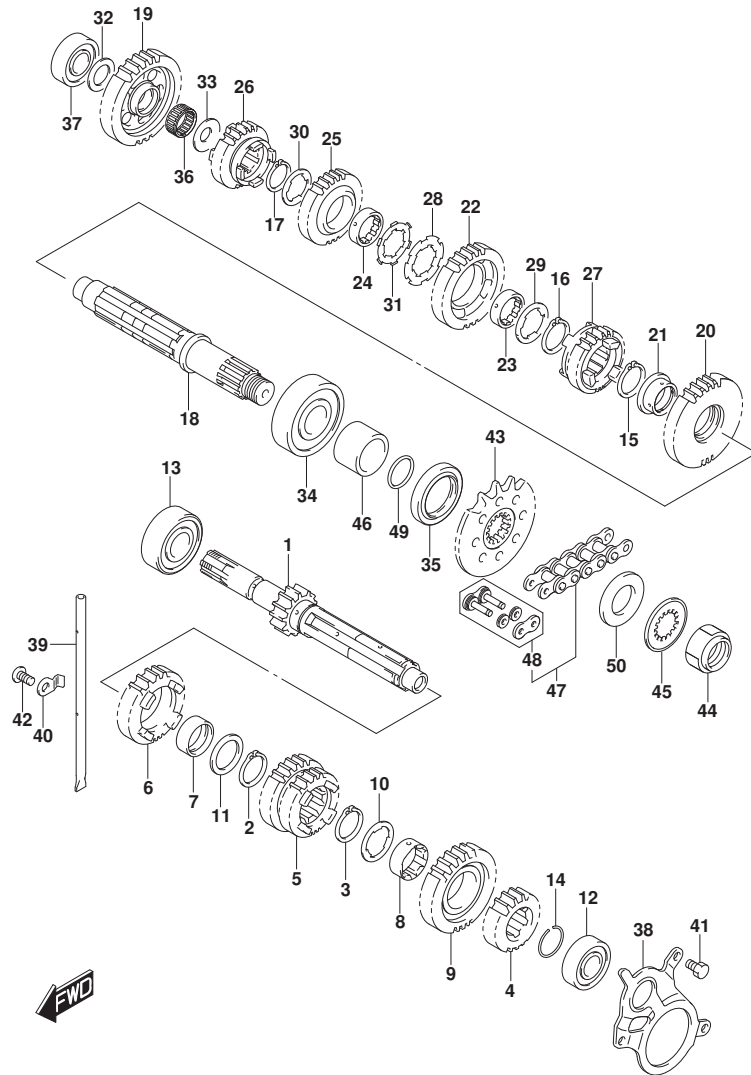


FIG.206A (1-C-10) TRANSMISSION

REF NO.	PART NO.	DESCRIPTION	Q'TY	REMARKS
35	09283-36011	OIL SEAL (36X50X6)	1	
36	09263-20115	BEARING, 1ST DRIVEN GEAR	1	
37	09262-17023	BEARING (17X40X12)	1	
38	24751-19F10	RETAINER, DRIVE SHAFT OIL SEAL	1	
39	24881-12C30	GUIDE, T/M OIL	1	
40	24885-12C10	RETAINER, TRANSMISSION OIL	1	
41	01500-0612A	BOLT	3	
42	02112-0612A	SCREW	1	
43	27511-12C10	SPROCKET, ENGINE (NT:15)	1	
44	09159-20004	NUT	1	
45	09167-25028	WASHER, LOCK	1	
46	27531-19F10	SPACER, ENGINE SPROCKET	1	
47	27600-44H10-112	CHAIN ASSY, DRIVE (DID 520V0)	1	
48	27620-44H10	JOINT SET	1	
49	09280-24010	O RING (D:2.4, ID:23.7)	1	
50	08211-25442	WASHER	1	

FIG.212A

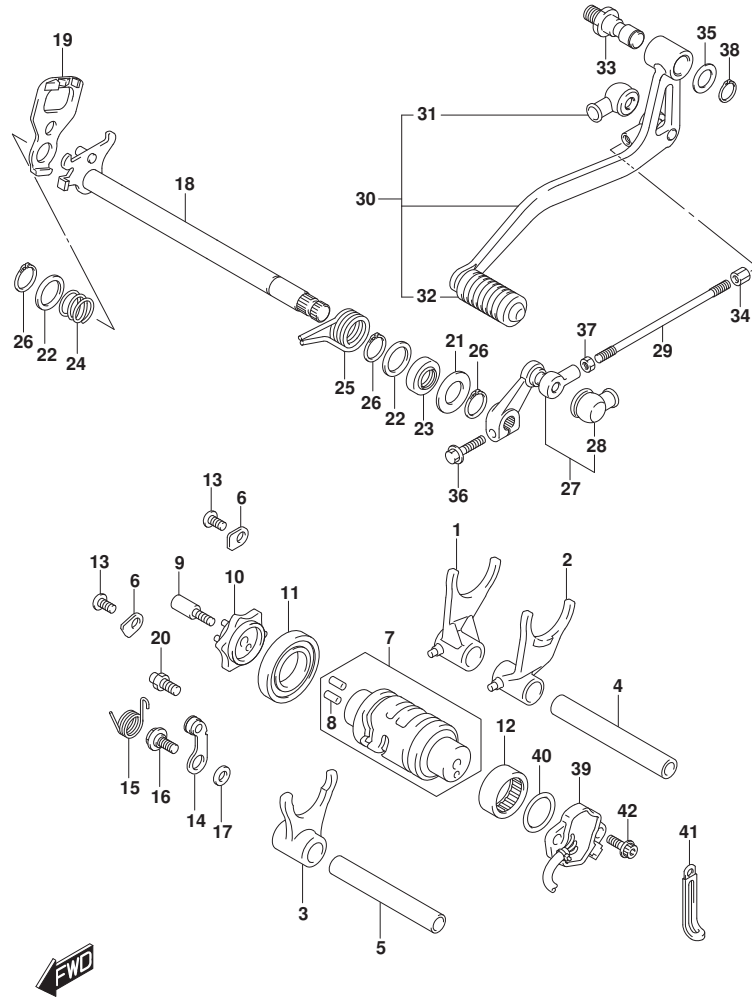


FIG.212A (1-C-11) GEAR SHIFTING (SV650A)

REF NO.	PART NO.	DESCRIPTION	Q'TY	REMARKS
1	25211-42E20	FORK,GEAR SHIFT NO.1	1	
2	25221-42E20	FORK,GEAR SHIFT NO.2	1	
3	25231-42E20	FORK,GEAR SHIFT NO.3	1	
4	25411-26D01	SHAFT,GEAR SHIFT FORK	1	
5	25411-44B00	SHAFT,GEAR SHIFT FORK,NO.1	1	
6	24741-21A00	RETAINER	2	
7	25310-19F00	CAM,GEAR SHIFT	1	
8	04221-04089	.PIN	2	
9	25312-42F01	BOLT,GEAR SHIFT CAM PLATE	1	
10	25381-19F20	PLATE,GEAR SHIFT CAM	1	
11	09262-25006	BEARING (25X47X8)	1	
12	09263-25018	BEARING (25X32X12)	1	
13	02112-0612A	SCREW	2	
14	25350-35F00	STOPPER,SHIFT CAM	1	
15	25355-35F01	SPRING,SHIFT	1	
16	09111-06041	BOLT (6X14.3)	1	
17	08211-06141	WASHER	1	
18	25510-19F10	SHAFT,GEAR SHIFT	1	
19	25512-06G10	PLATE,GEAR SHIFT CAM DRIVE	1	
20	25671-01011	STOPPER,GEAR SHIFT ARM	1	
21	09160-14016	WASHER (14X29X0.8)	1	
22	09181-14167	SHIM (14X22X1)	2	
23	09283-14005	OIL SEAL (14X22X7.3)	1	
24	09440-17009	SPRING	1	
25	09444-20001	SPRING	1	
26	08331-3114A	CIRCLIP	3	
27	25520-22A10	ARM,GEAR SHIFT LINK	1	
28	25526-47000	.COVER,DUST	1	
29	25525-44H00	ROD,GEAR SHIFT LINK	1	
30	25600-44H01	LEVER ASSY,GEAR SHIFT	1	
31	25526-47000	.COVER,DUST	1	
32	25652-20C00	.RUBBER,GEAR SHIFT PEDAL	1	
33	25617-03F10	SHAFT,GEAR SHIFT LEVER	1	
34	09140-06025	NUT	1	
35	09160-12011	WASHER (12.5X20X1)	1	

FIG.212A

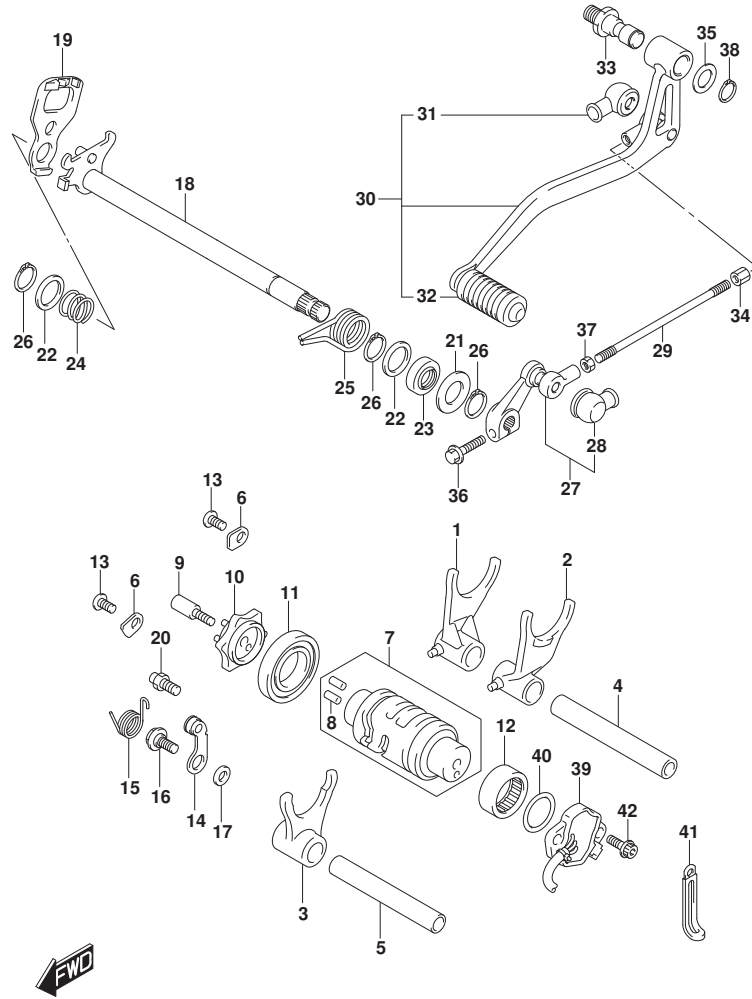


FIG.212A (1-C-12) GEAR SHIFTING (SV650A)

REF NO.	PART NO.	DESCRIPTION	Q'TY	REMARKS
36	09103-06527	BOLT,GEAR SHIFT LINK ARM	1	
37	08310-0006A	NUT	1	
38	08331-3112A	CIRCLIP	1	
39	37730-44H01	SENSOR ASSY,GEAR POSITION	1	
40	09280-26005	O-RING (D:2.4,ID:26.2)	1	
41	09404-08418	CLAMP (L:65)	1	
42	09106-05023	BOLT (5X16)	2	

FIG.212B

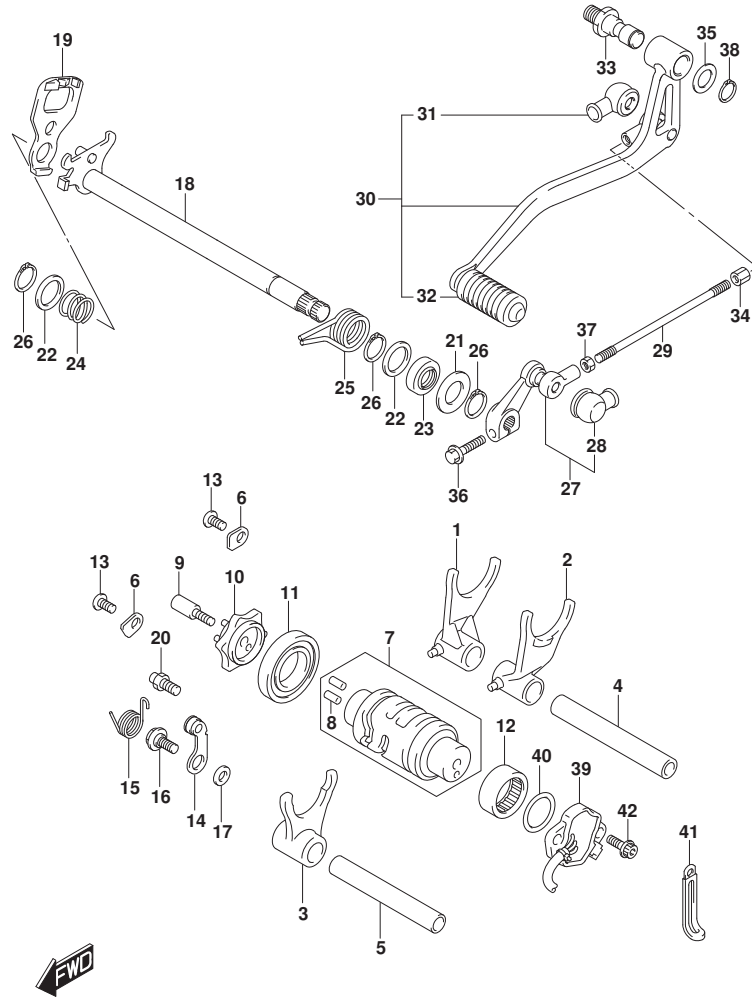


FIG.212B (1-C-13) GEAR SHIFTING (SV650XA)

REF NO.	PART NO.	DESCRIPTION	Q'TY	REMARKS
1	25211-42E20	FORK,GEAR SHIFT NO.1	1	
2	25221-42E20	FORK,GEAR SHIFT NO.2	1	
3	25231-42E20	FORK,GEAR SHIFT NO.3	1	
4	25411-26D01	SHAFT,GEAR SHIFT FORK	1	
5	25411-44B00	SHAFT,GEAR SHIFT FORK,NO.1	1	
6	24741-21A00	RETAINER	2	
7	25310-19F00	CAM,GEAR SHIFT	1	
8	04221-04089	.PIN	2	
9	25312-42F01	BOLT,GEAR SHIFT CAM PLATE	1	
10	25381-19F20	PLATE,GEAR SHIFT CAM	1	
11	09262-25006	BEARING (25X47X8)	1	
12	09263-25018	BEARING (25X32X12)	1	
13	02112-0612A	SCREW	2	
14	25350-35F00	STOPPER,SHIFT CAM	1	
15	25355-35F01	SPRING,SHIFT	1	
16	09111-06041	BOLT (6X14.3)	1	
17	08211-06141	WASHER	1	
18	25510-19F10	SHAFT,GEAR SHIFT	1	
19	25512-06G10	PLATE,GEAR SHIFT CAM DRIVE	1	
20	25671-01011	STOPPER,GEAR SHIFT ARM	1	
21	09160-14016	WASHER (14X29X0.8)	1	
22	09181-14167	SHIM (14X22X1)	2	
23	09283-14005	OIL SEAL (14X22X7.3)	1	
24	09440-17009	SPRING	1	
25	09444-20001	SPRING	1	
26	08331-3114A	CIRCLIP	3	
27	25520-22A30	ARM COMP,GEAR SHIFT LINK	1	
28	25526-47000	.COVER,DUST	1	
29	25525-44H10	ROD,GEAR SHIFT LINK	1	
30	25600-44H40	LEVER ASSY,GEAR SHIFT	1	
31	25526-47000	.COVER,DUST	1	
32	25652-20C00	.RUBBER,GEAR SHIFT PEDAL	1	
33	25617-03F10	SHAFT,GEAR SHIFT LEVER	1	
34	09140-06032	NUT	1	
35	09160-12011	WASHER (12.5X20X1)	1	

FIG.212B

FIG.212B (1-C-14) GEAR SHIFTING (SV650XA)

REF NO.	PART NO.	DESCRIPTION	Q'TY	REMARKS
36	09103-06527	BOLT,GEAR SHIFT LINK ARM	1	
37	08310-0006B	NUT	1	
38	08331-3112A	CIRCLIP	1	
39	37730-44H01	SENSOR ASSY,GEAR POSITION	1	
40	09280-26005	O-RING (D:2.4,ID:26.2)	1	
41	09404-08418	CLAMP (L:65)	1	
42	09106-05023	BOLT (5X16)	2	

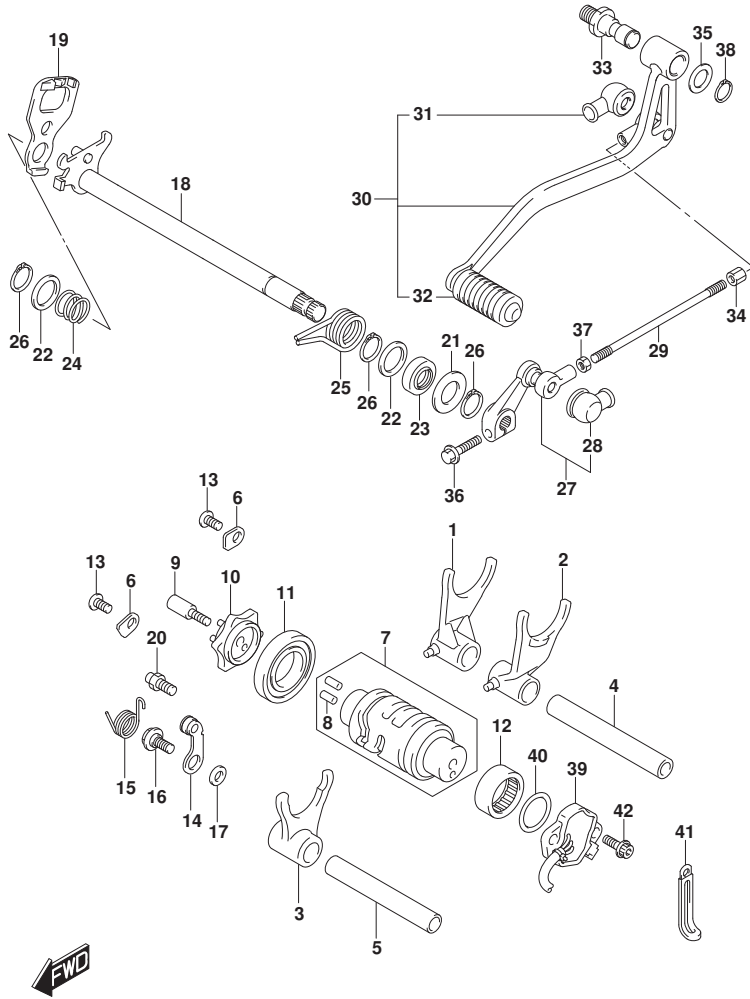


FIG.301A

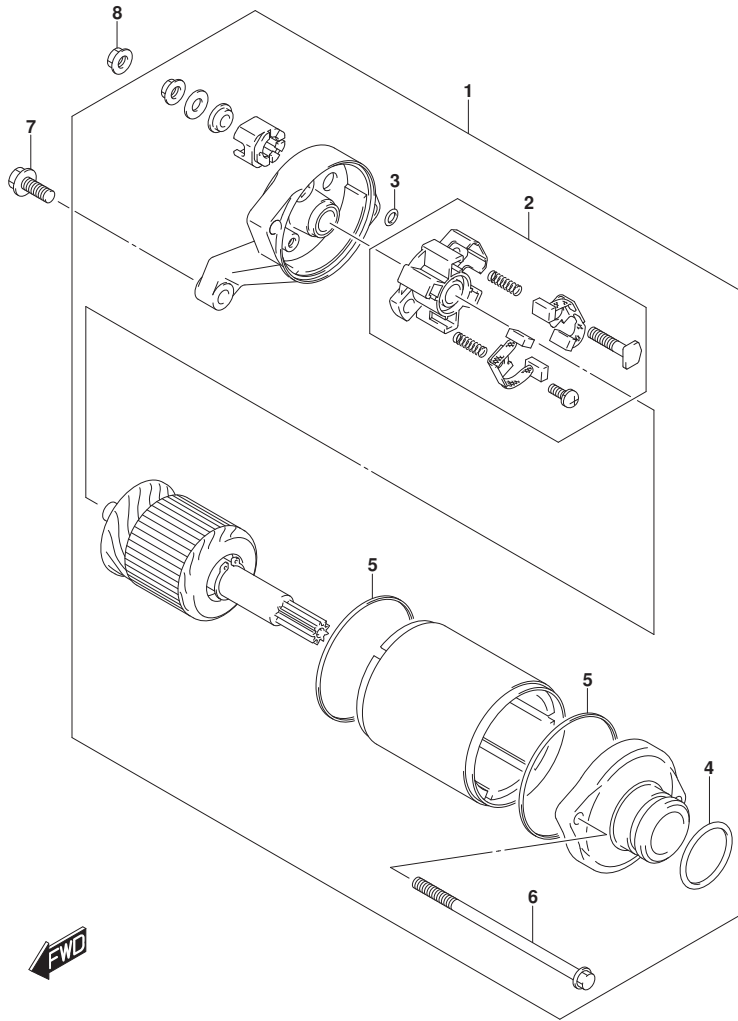


FIG.301A (1-C-15) STARTING MOTOR

REF NO.	PART NO.	DESCRIPTION	Q'TY	REMARKS
1	31100-19F10	MOTOR ASSY,STARTING	1	
2	31132-18H00	.BRUSH HOLDER SET	1	
3	31143-49040	.O RING	1	
4	31156-98E00	.O-RING (D:3.1,ID:24.4)	1	
5	31264-38F10	.SQUARE RING	2	
6	31280-19F10	.SET BOLT	2	
7	01547-0625A	BOLT	2	
8	08361-3506A	NUT	1	

FIG.303A

FIG.303A (1-C-16) MAGNETO

REF NO.	PART NO.	DESCRIPTION	Q'TY	REMARKS
1	32101-17G23	STATOR ASSY	1	
2	32102-17G01	ROTOR ASSY	1	
3	32371-19F10	CLAMP,MAGNETO LEAD	1	
4	09103-12004	BOLT (12X40)	1	
5	09160-12036	WASHER (12X30X3.0)	1	
6	07130-0512A	BOLT	2	
7	07130-0630A	BOLT	3	
8	09420-04008	KEY (B:4,D:16,H6.5)	1	

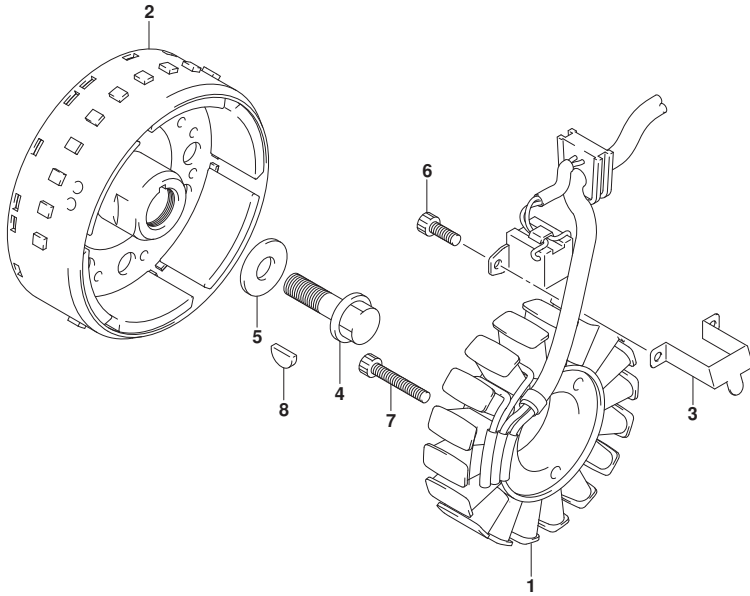




FIG.310D

FIG.310D (1-D-2) BATTERY

REF NO.	PART NO.	DESCRIPTION	Q'TY	REMARKS
1	33630-14G02	BATTERY ASSY (FT12A-BS,12V,10A H)	1	
2	33652-16G00	PROTECTOR,BATTERY	1	
3	33652-28C00	PROTECTOR (40X85X3)	1	
4	33810-18K00	WIRE,STARTER MOTOR LEAD	1	
5	36618-31J00	.CAP,OIL PRESSURE SWITCH	1	
6	33860-18K00	WIRE,BATTERY MINUS LEAD	1	
7	33820-18K10	WIRE,BATTERY PLUS LEAD	1	
8	33624-16G00	.CAP,BATTERY PLUS	1	

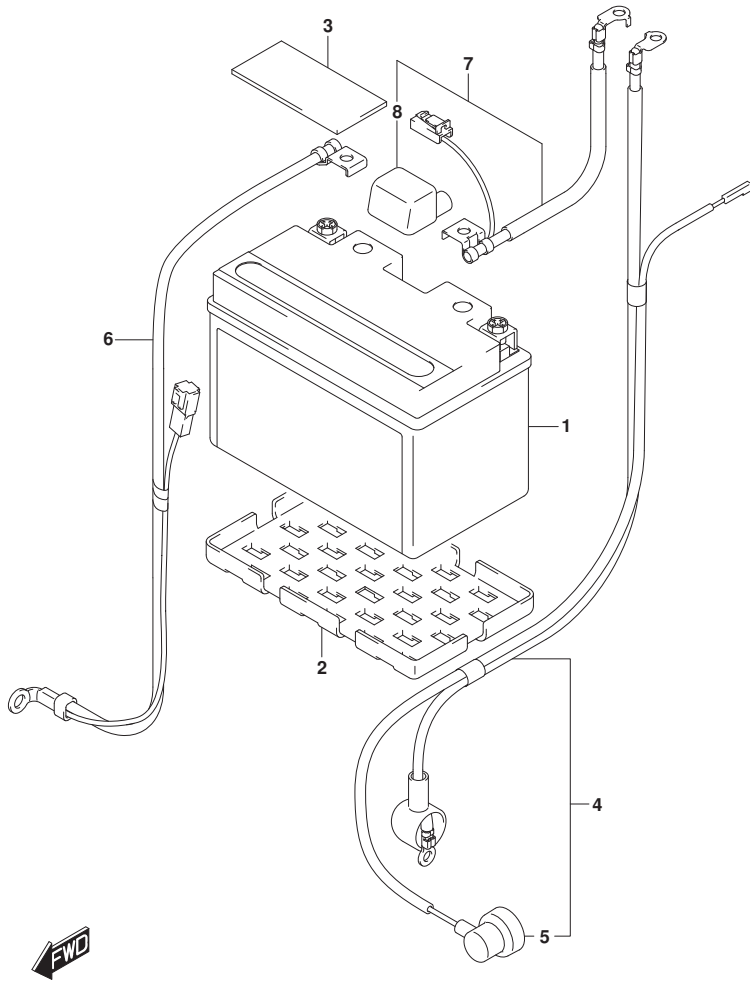


FIG.312A

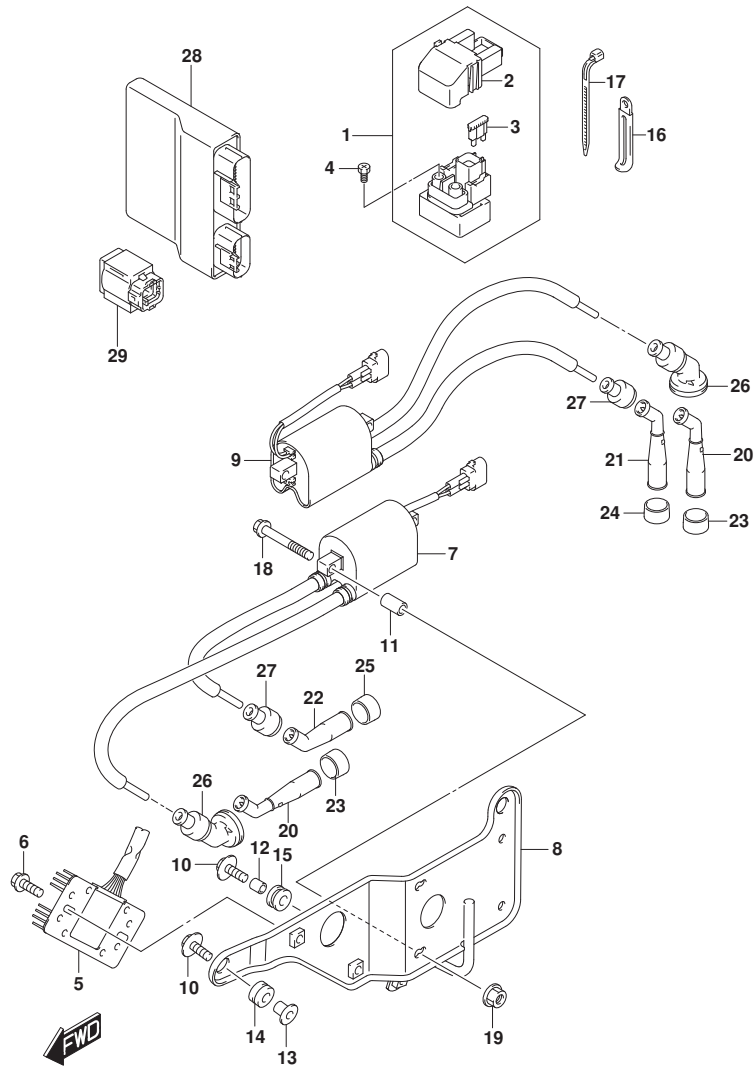


FIG.312A (1-D-3) ELECTRICAL (SV650A,SV650XA)

REF NO.	PART NO.	DESCRIPTION	Q'TY	REMARKS
1	31800-06G00	RELAY ASSY,STARTING MOTOR	1	
2	31861-47E00	.COVER	1	
3	09481-30101	.FUSE (30A)	2	
4	09128-06013	SCREW (6X8)	2	
5	32800-47H00	RECTIFIER ASSY	1	
6	02162-0616A	SCREW	2	
7	33410-18K00	COIL ASSY,IGNITION FRONT	1	
8	33414-44H01	BRACKET,IGN COIL REAR	1	
9	33420-18K00	COIL ASSY,IGNITION REAR	1	
10	09116-06188	BOLT (6X20)	3	
11	09180-06195	SPACER (6.4X10X18)	4	
12	09180-06263	SPACER (6.5X9X9)	1	
13	09180-06331	SPACER (6.2X8.4X10.9)	2	
14	09320-08501	CUSHION (8X18X10)	2	
15	09320-09016	CUSHION (9X18X9.5)	1	
16	09404-06433	CLAMP (L:80)	1	
17	09407-18402	CLAMP (L:165)	1	
18	09103-06531	BOLT,MAGNETO COVER (6X40)	4	
19	08316-1006A	NUT	4	
20	33510-17G00	CAP ASSY,SPARK PLUG	2	CENTER
21	33510-17G00	CAP ASSY,SPARK PLUG	1	SIDE
22	33510-20E00	CAP ASSY,SPARK PLUG	1	SIDE
23	33541-23E10	SEAL,SPARK PLUG	2	CENTER
24	33541-23E10	SEAL,SPARK PLUG	1	SIDE
25	33541-47D00	SEAL,SPARK PLUG	1	SIDE
26	33542-17G01	SEAL,HIGH TENSION CORD	2	
27	33542-38B00	SEAL,HIGH TENSION CORD (SIDE)	2	
28	32920-18K01	CONTROL UNIT,FI	1	
29	33960-06G10	SENSOR ASSY,FUEL CUT	1	

FIG.312F

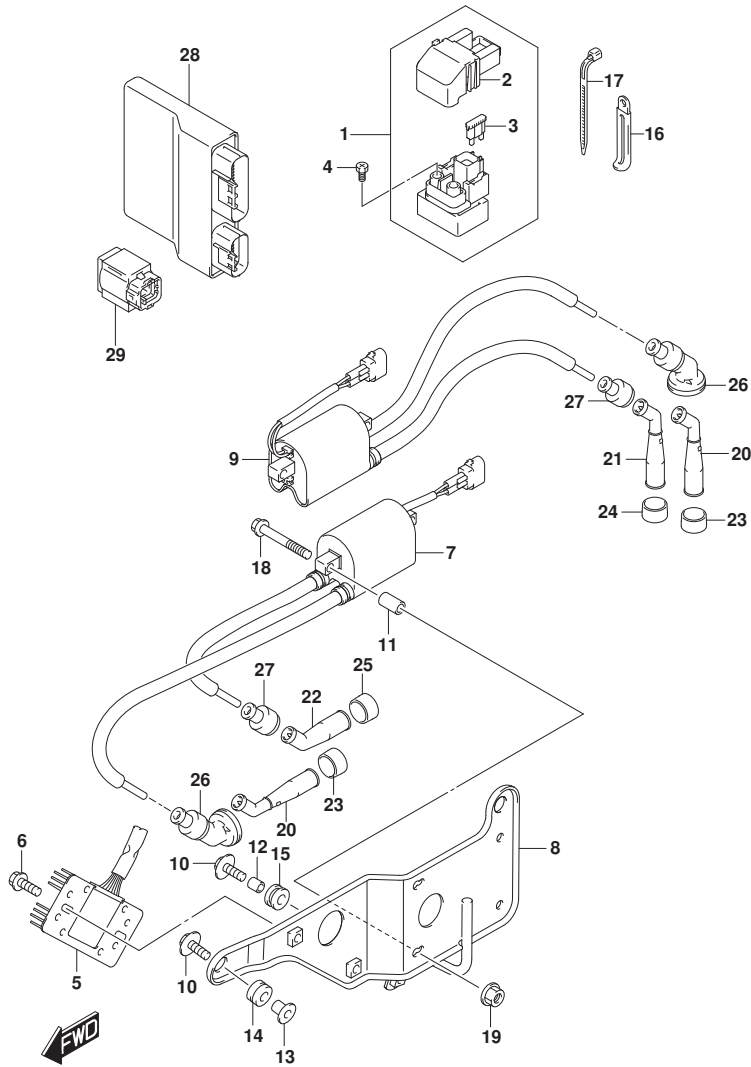


FIG.312F (1-D-4) ELECTRICAL (SV650AU,SV650XAU)

REF NO.	PART NO.	DESCRIPTION	Q'TY	REMARKS
1	31800-06G00	RELAY ASSY,STARTING MOTOR	1	
2	31861-47E00	.COVER	1	
3	09481-30101	.FUSE (30A)	2	
4	09128-06013	SCREW (6X8)	2	
5	32800-47H00	RECTIFIER ASSY	1	
6	02162-0616A	SCREW	2	
7	33410-18K00	COIL ASSY,IGNITION FRONT	1	
8	33414-44H01	BRACKET,IGN COIL REAR	1	
9	33420-18K00	COIL ASSY,IGNITION REAR	1	
10	09116-06188	BOLT (6X20)	3	
11	09180-06195	SPACER (6.4X10X18)	4	
12	09180-06263	SPACER (6.5X9X9)	1	
13	09180-06331	SPACER (6.2X8.4X10.9)	2	
14	09320-08501	CUSHION (8X18X10)	2	
15	09320-09016	CUSHION (9X18X9.5)	1	
16	09404-06433	CLAMP (L:80)	1	
17	09407-18402	CLAMP (L:165)	1	
18	09103-06531	BOLT,MAGNETO COVER (6X40)	4	
19	08316-1006A	NUT	4	
20	33510-17G00	CAP ASSY,SPARK PLUG	2	CENTER
21	33510-17G00	CAP ASSY,SPARK PLUG	1	SIDE
22	33510-20E00	CAP ASSY,SPARK PLUG	1	SIDE
23	33541-23E10	SEAL,SPARK PLUG	2	CENTER
24	33541-23E10	SEAL,SPARK PLUG	1	SIDE
25	33541-47D00	SEAL,SPARK PLUG	1	SIDE
26	33542-17G01	SEAL,HIGH TENSION CORD	2	
27	33542-38B00	SEAL,HIGH TENSION CORD (SIDE)	2	
28	32920-18K91	CONTROL UNIT,FI	1	
29	33960-06G10	SENSOR ASSY,FUEL CUT	1	

FIG.330A



FIG.330A (1-D-5) SPEEDOMETER

REF NO.	PART NO.	DESCRIPTION	Q'TY	REMARKS
1	34120-18K01	SPEEDOMETER	1	
2	34150-04K01	CASE ASSY,UPPER	1	
3	34124-04K00	.SWITCH RUBBER RH	1	
4	34124-04K10	.SWITCH RUBBER LH	1	
5	34111-04K00	CASE ASSY,LOWER	1	
6	34183-10C00	NEEDLE,JET	8	
7	09148-05052	NUT (M5)	2	
8	34189-08J00	CUSHION,SPEEDOMETER	3	
9	09160-04026	WASHER (4.5X16X1.2)	1	
10	03541-0416A	SCREW	1	

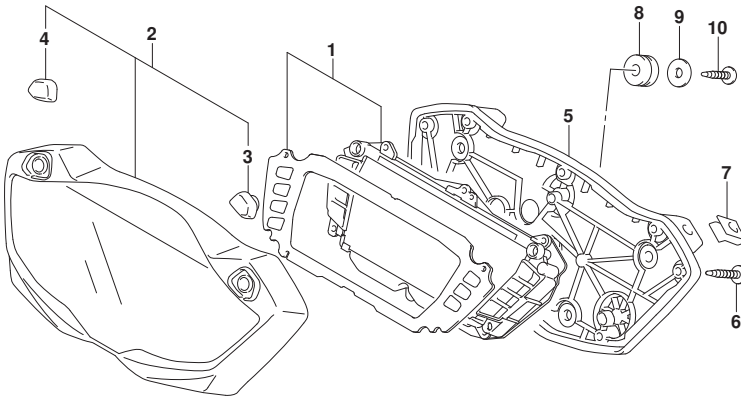


FIG.333B

FIG.333B (1-D-6) HEADLAMP

REF NO.	PART NO.	DESCRIPTION	QTY	REMARKS
1	35100-19F60-999	HEADLAMP ASSY	1	
2	35111-19F00	.RIM	1	
3	35121-19F60	.LAMP UNIT	1	
4	35135-45900	.NUT	2	
5	35151-19F00	.SCREW,ADJUSTING (4X52)	1	
6	35152-45600	.NUT	1	
7	35154-13F00	.SPRING	1	
8	35174-19F00	.COVER,SOCKET	1	
9	35181-19F00	.SCREW (5X16)	2	
10	36118-19F00	.CORD,POSITION	1	
11	09471-12216	BULB (12V5W)	1	
12	#09471-12185	BULB (12V,60/55W)	1	
13	09139-05038	SCREW (5X15.3)	2	

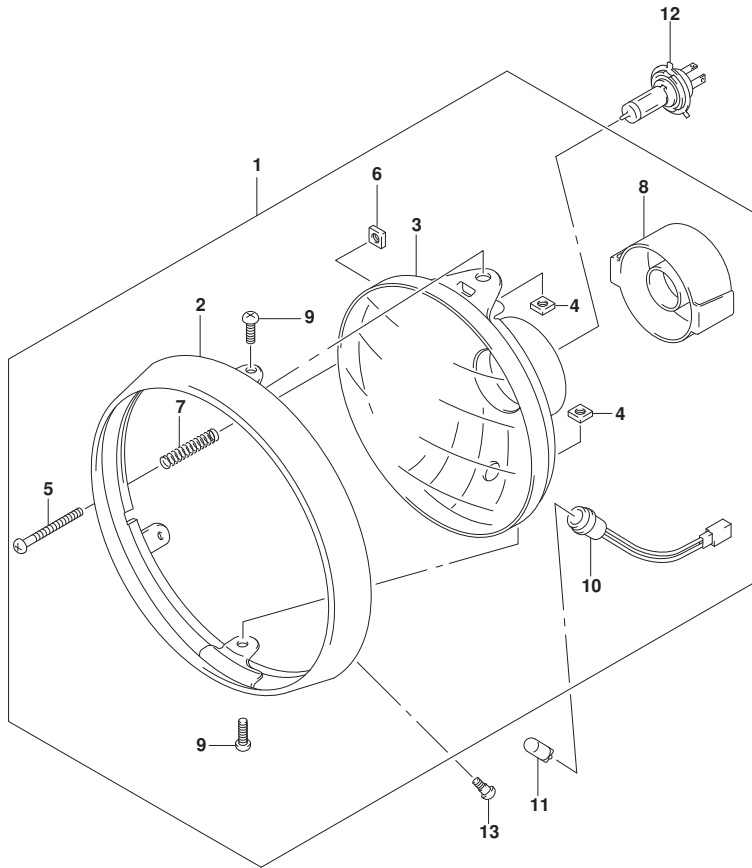


FIG.334A

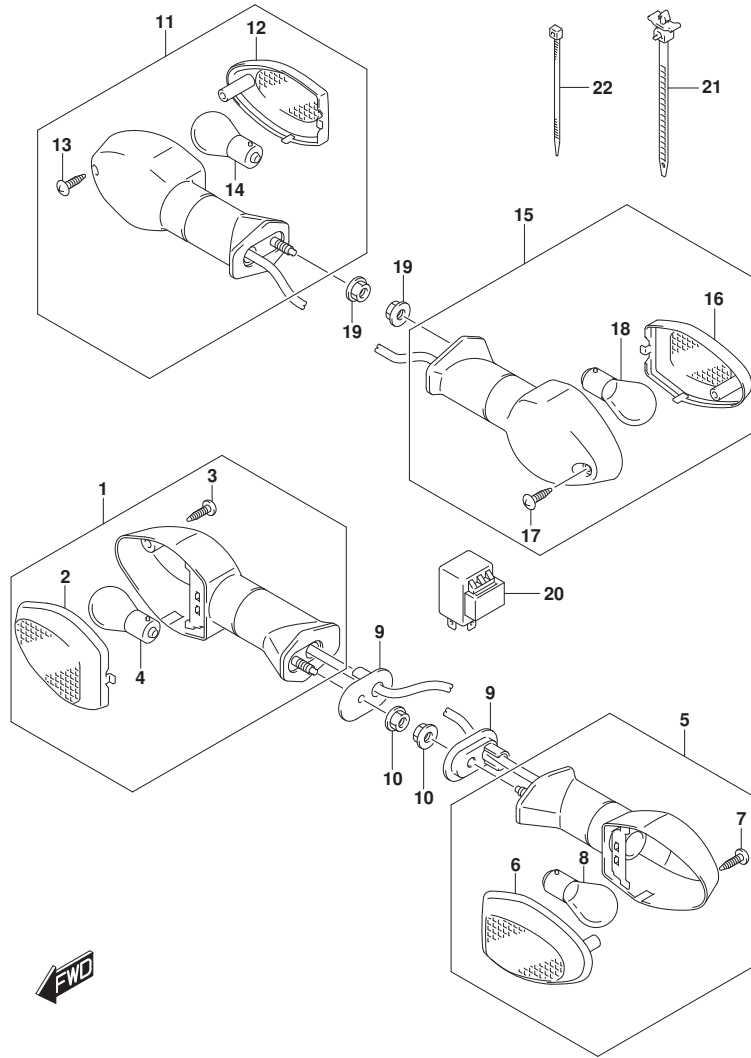


FIG.334A (1-D-7) TURNSIGNAL LAMP

REF NO.	PART NO.	DESCRIPTION	Q'TY	REMARKS
1	35601-08JB0	LAMP ASSY,FRONT TURNSIGNAL RH	1	
2	35612-08JA0	.LENS	1	
3	03211-0414B	.SCREW	1	
4	09471-12186	.BULB (12V21W)	1	
5	35602-08JB0	LAMP ASSY,FRONT TURNSIGNAL LH	1	
6	35632-08JA0	.LENS	1	
7	03211-0414B	.SCREW	1	
8	09471-12186	.BULB (12V21W)	1	
9	35629-31F40	PLATE,TURNSIGNAL	2	
10	08316-1005A	NUT	2	
11	35603-08JB0	LAMP ASSY,RR TURNSIGNAL RH	1	
12	35632-08JA0	.LENS	1	
13	03211-0414B	.SCREW	1	
14	09471-12186	.BULB (12V21W)	1	
15	35604-08JB0	LAMP ASSY,RR TURNSIGNAL LH	1	
16	35612-08JA0	.LENS	1	
17	03211-0414B	.SCREW	1	
18	09471-12186	.BULB (12V21W)	1	
19	08316-1005A	NUT	2	
20	38610-06F01	RELAY ASSY,TURNSIGNAL LAMP	1	
21	09407-14403	CLAMP (L:125)	1	
22	09407-18402	CLAMP (L:165)	1	

FIG.339C

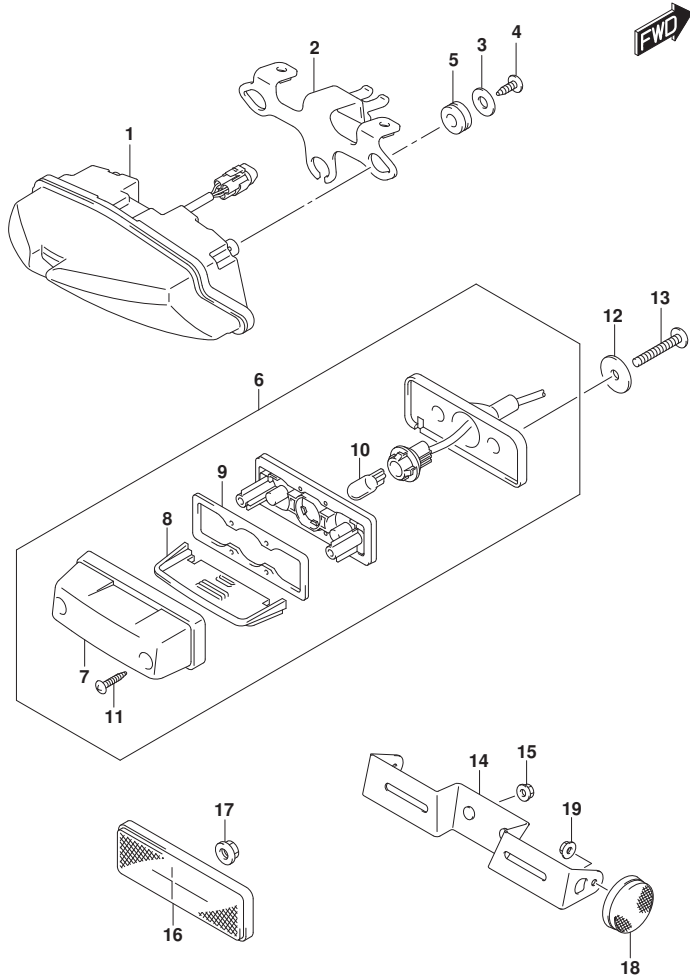


FIG.339C (1-D-8) REAR COMBINATION LAMP

REF NO.	PART NO.	DESCRIPTION	Q'TY	REMARKS
1	35710-14JB0	LAMP ASSY,REAR COMB	1	
2	35726-18K00	BRACKET,REAR COMB LAMP	1	
3	09160-05501	WASHER (5.5X20X1.2)	3	
4	03541-0516A	SCREW	3	
5	09320-10070	CUSHION,REAR COMB BRACKET	3	
6	35910-16G11	LAMP ASSY,LICENSE	1	
7	35917-16G00	.COVER	1	
8	35912-16G01	.LENS	1	
9	35913-16G00	.GASKET	1	
10	09471-12216	.BULB (12V5W)	1	
11	03211-0416A	.SCREW	2	
12	09160-05501	WASHER (5.5X20X1.2)	2	
13	03541-0516A	SCREW	2	
14	35927-18K00	BRACKET,LICENSE PLATE	1	
15	09159-06096	NUT	2	
16	35970-07F01	REFLECTOR ASSY,REAR	1	
17	08316-1005A	NUT	1	
18	35950-14A11	REFLEX REFLECTOR ASSY,FR SIDE	2	
19	08316-1005A	NUT	2	

FIG.350D

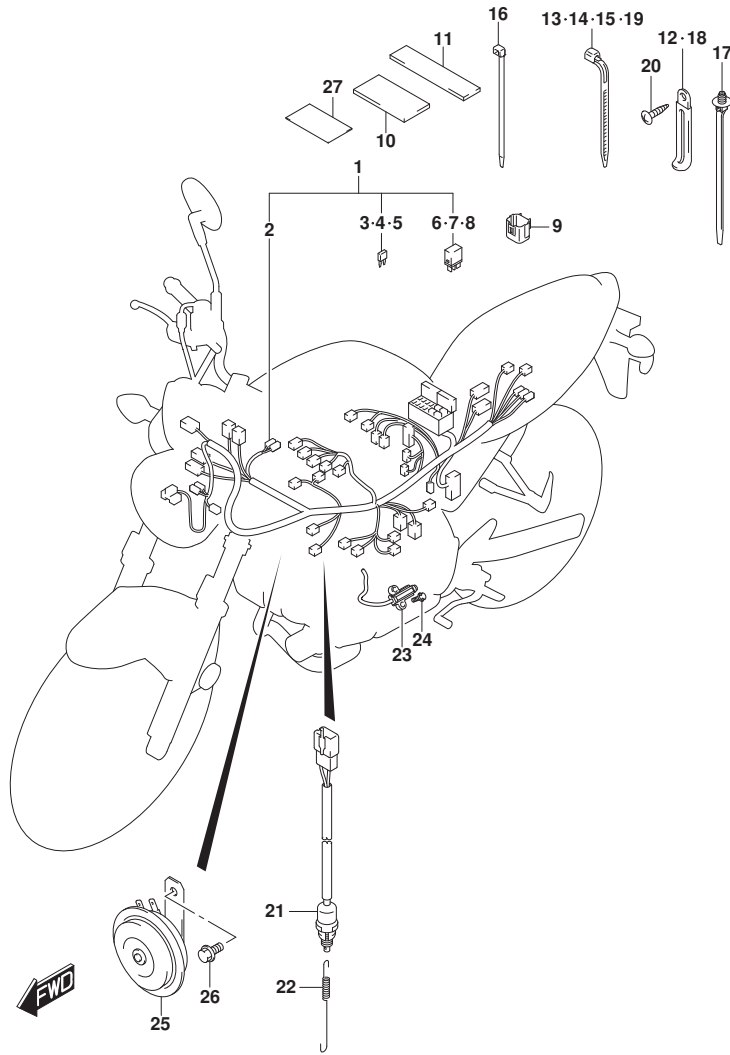


FIG.350D (1-D-9) WIRING HARNESS (SV650A,SV650AU)

REF NO.	PART NO.	DESCRIPTION	Q'TY	REMARKS
1	36610-18KM0	HARNESS,WIRING	1	
2	36618-35F00	.COVER,SPEEDOMETER COUPLER	1	
3	09481-10504	.FUSE (10A)	5	
4	09481-15504	.FUSE (15A)	5	
5	09481-20504	.FUSE (20A)	2	
6	38860-76F01	.RELAY ASSY	1	FOR FUEL PUMP
7	38860-76F01	.RELAY ASSY	1	FOR FAN MOTOR
8	38860-76F01	.RELAY ASSY	1	FOR SIDE STAND
9	36654-06J00	CAP,TS	1	
10	36920-08D00	PROTECTOR (30X60X3)	3	
11	94474-22D00	PROTECTOR (30X70)	1	
12	09404-06429	CLAMP (L:45)	2	
13	09407-14403	CLAMP (L:125)	4	
14	09407-18402	CLAMP (L:165)	2	
15	09407-19401	CLAMP (L:190)	2	
16	09407-14407	CLAMP (L:145)	4	
17	09407-17403	CLAMP (L:154)	1	
18	09404-06433	CLAMP (L:80)	1	
19	09407-25401	CLAMP (L:235)	1	
20	03541-0412A	SCREW	1	
21	37740-44H01	SWITCH ASSY,STOP LAMP	1	
22	09443-06016	SPRING	1	
23	37840-25D01	SWITCH ASSY,SIDE STAND	1	
24	01550-0620A	BOLT	2	
25	38500-18K00	HORN ASSY	1	
26	01550-0812A	BOLT	1	
27	36611-16G00	TAPE,WIRING HARNESS (28X50X0.13)	1	



FIG.350H

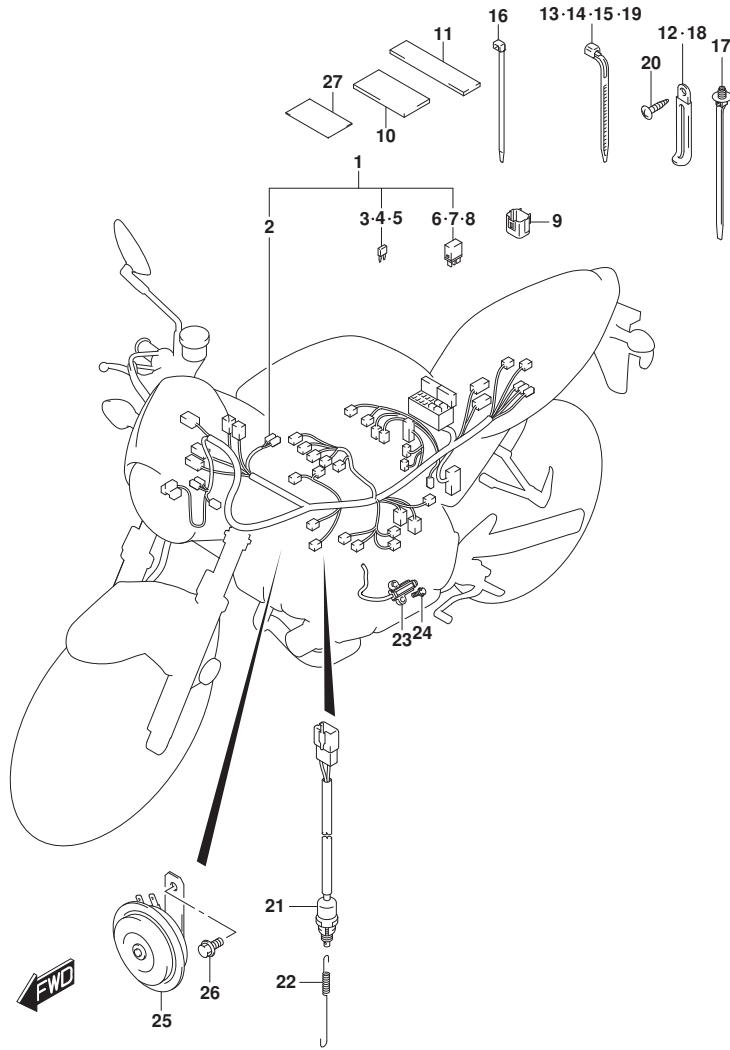


FIG.350H (1-D-10) WIRING HARNESS (SV650XA,SV650XAU)

REF NO.	PART NO.	DESCRIPTION	Q'TY	REMARKS
1	36610-18KR0	HARNES,WIRING	1	
2	36618-35F00	.COVER,SPEEDOMETER COUPLER	1	
3	09481-10504	.FUSE (10A)	5	
4	09481-15504	.FUSE (15A)	5	
5	09481-20504	.FUSE (20A)	2	
6	38860-76F01	.RELAY ASSY	1	FOR FUEL PUMP
7	38860-76F01	.RELAY ASSY	1	FOR FAN MOTOR
8	38860-76F01	.RELAY ASSY	1	FOR SIDE STAND
9	36654-06J00	CAP,TS	1	
10	36920-08D00	PROTECTOR (30X60X3)	3	
11	94474-22D00	PROTECTOR (30X70)	1	
12	09404-06429	CLAMP (L:45)	2	
13	09407-14403	CLAMP (L:125)	3	
14	09407-18402	CLAMP (L:165)	2	
15	09407-19401	CLAMP (L:190)	2	
16	09407-14407	CLAMP (L:145)	3	
17	09407-17403	CLAMP (L:154)	1	
18	09404-06433	CLAMP (L:80)	1	
19	09407-25401	CLAMP (L:235)	1	
20	03541-0412A	SCREW	1	
21	37740-44H01	SWITCH ASSY,STOP LAMP	1	
22	09443-06016	SPRING	1	
23	37840-25D01	SWITCH ASSY,SIDE STAND	1	
24	01550-0620A	BOLT	2	
25	38500-18K00	HORN ASSY	1	
26	01550-0812A	BOLT	1	
27	36611-16G00	TAPE,WIRING HARNESS (28X50X0.13)	1	

FIG.352A

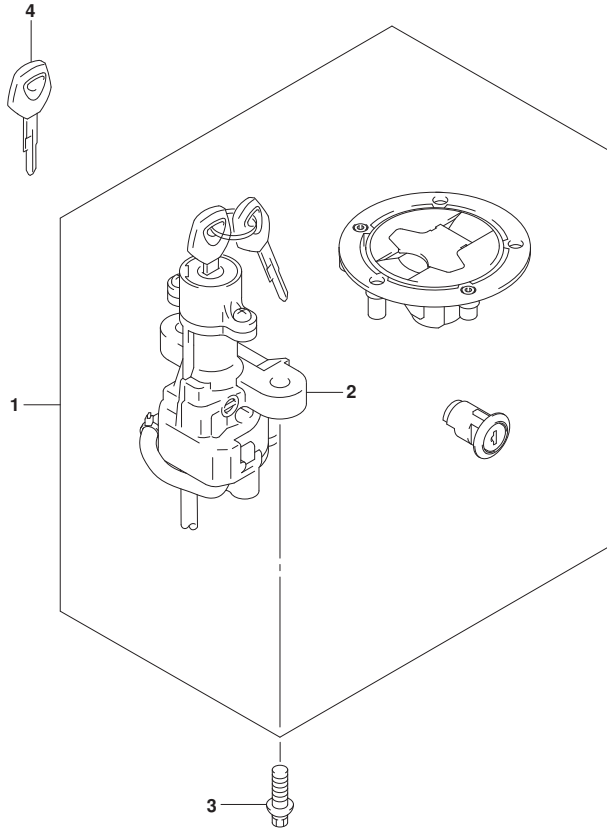


FIG.352A (1-D-11) LOCK SET

REF NO.	PART NO.	DESCRIPTION	Q'TY	REMARKS
1	37102-16810	LOCK SET	1	
2	37100-16G01	.LOCK ASSY,STEERING	1	
3	37152-17K00	BOLT,STEERING LOCK (8X20)	2	
4	37146-33E00	KEY,BLANK	1	OPT

FIG.355A

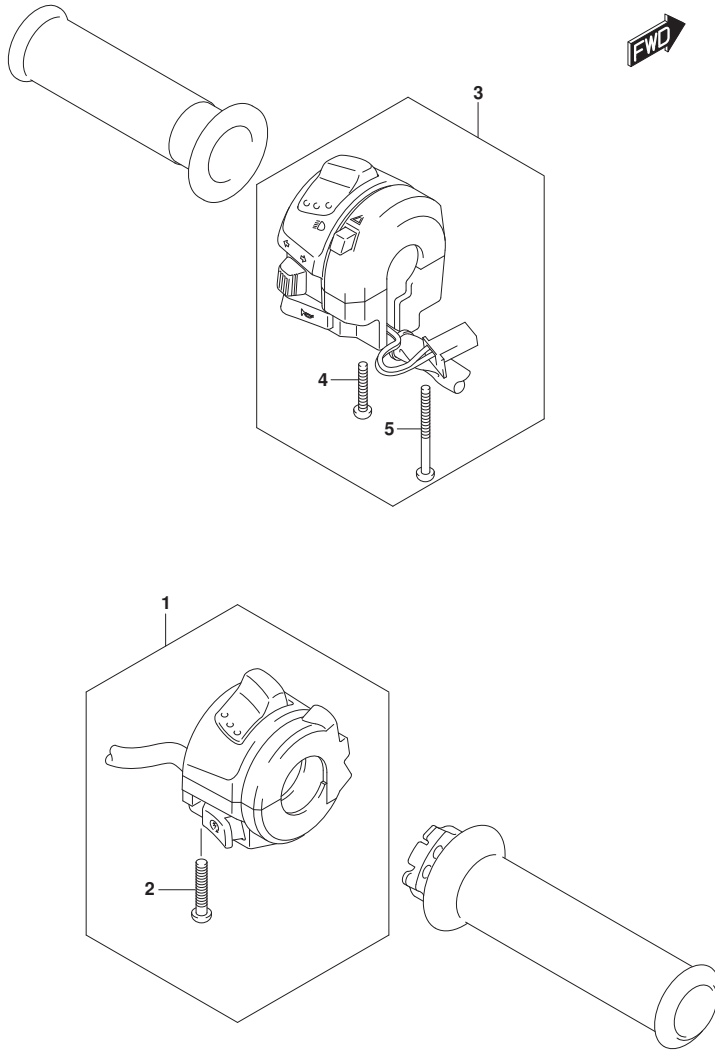


FIG.355A (1-D-12) HANDLE SWITCH (SV650A,SV650AU)

REF NO.	PART NO.	DESCRIPTION	Q'TY	REMARKS
1	37200-18K00	SWITCH ASSY,HANDLE RH	1	
2	02112-0530B	.SCREW	2	
3	37400-18K10	SWITCH ASSY,HANDLE LH	1	
4	02112-0525B	.SCREW	1	
5	02112-0545B	.SCREW	1	

FIG.355C

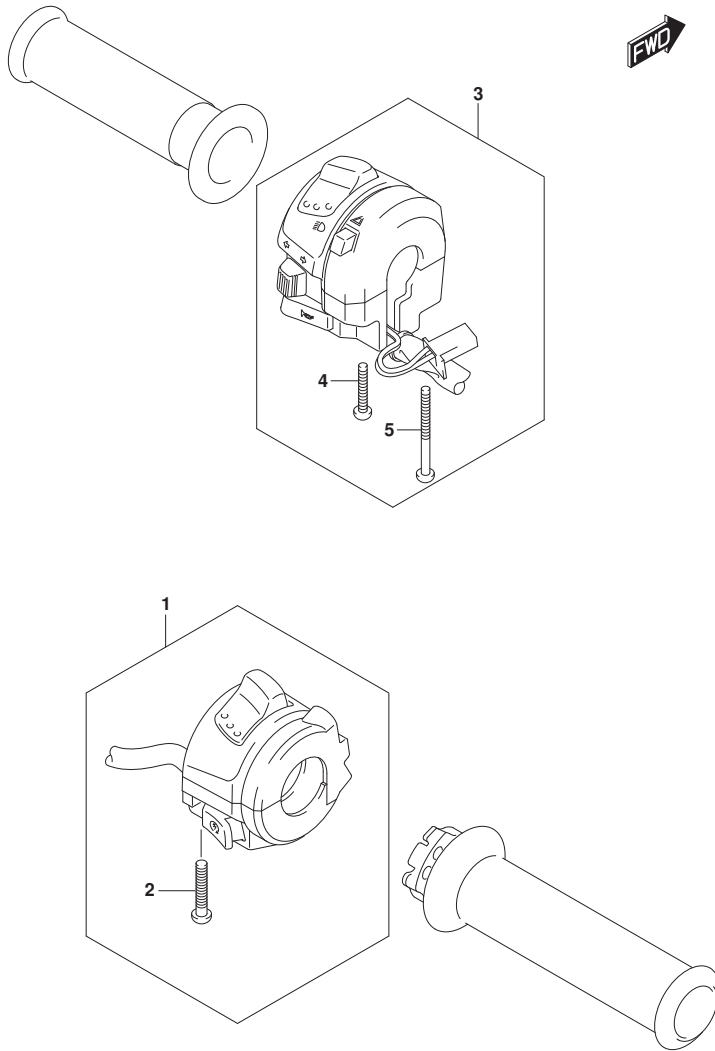


FIG.355C (1-D-13) HANDLE SWITCH (SV650XA,SV650XAU)

REF NO.	PART NO.	DESCRIPTION	Q'TY	REMARKS
1	37200-18K10	SWITCH ASSY,HANDLE RH	1	
2	02112-0530B	.SCREW	2	
3	37400-18K30	SWITCH ASSY,HANDLE LH	1	
4	02112-0525B	.SCREW	1	
5	02112-0545B	.SCREW	1	

FIG.401A

FIG.401A (1-D-14) FRAME (SV650A,SV650AU)

REF NO.	PART NO.	DESCRIPTION	Q'TY	REMARKS
1-1	41100-18K20-YAP	FRAME (BLACK)	1	BODY COLOR:YVB
1-2	41100-18K20-YYG	FRAME (RED)	1	BODY COLOR:YKV
1-3	41100-18K20-YKY	FRAME (BLUE)	1	BODY COLOR:YMD
2	41942-44H00	SPACER,ENG HEAD MTG	1	

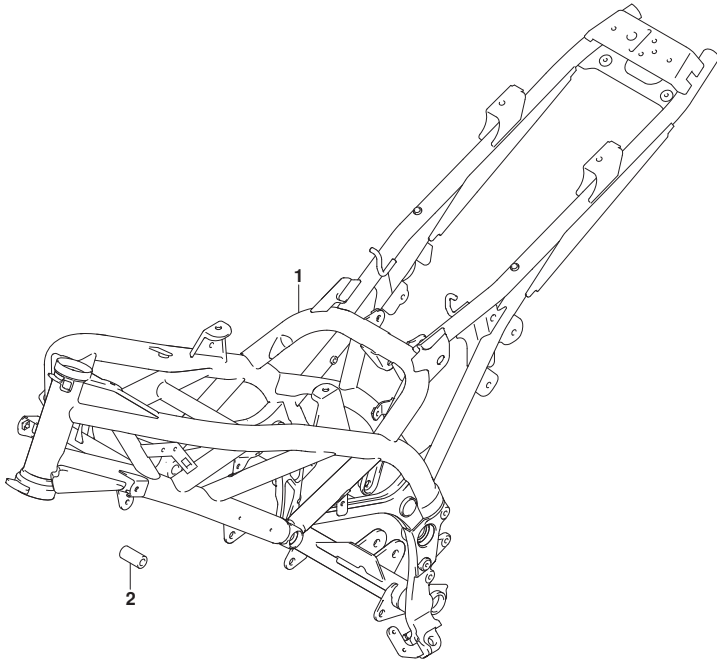


FIG.401B

**FIG.401B (1-D-15) FRAME (SV650XA,SV650XAU)**

REF NO.	PART NO.	DESCRIPTION	Q'TY	REMARKS
1	41100-18K20-YAP	FRAME (BLACK)	1	BODY COLOR:YVB
2	41942-44H00	SPACER,ENG HEAD MTG	1	

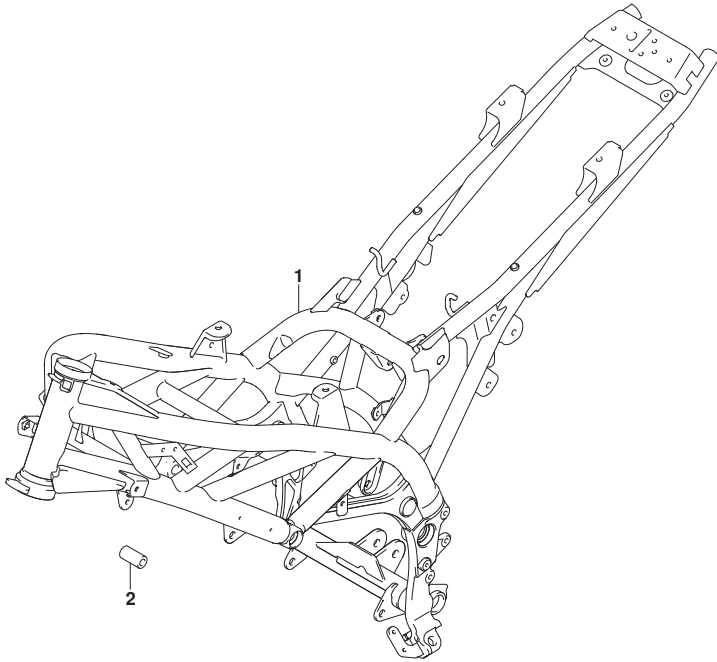


FIG.405A

FIG.405A (1-D-16) BATTERY HOLDER

REF NO.	PART NO.	DESCRIPTION	Q'TY	REMARKS
1	47430-18K00	HOLDER,BATTERY	1	
2	53145-40A00	.CUSHION (12X65X2)	1	
3	94478-14J00	.CUSHION,UNDER COWL,R	2	
4	47432-18K00	LID,BATTERY HOLDER	1	
5	47433-18K00	COVER,BATTERY HOLDER	1	
6	94479-35F00	CLIP	1	
7	09113-06010	BOLT (6X16)	2	
8	03541-0516A	SCREW	3	

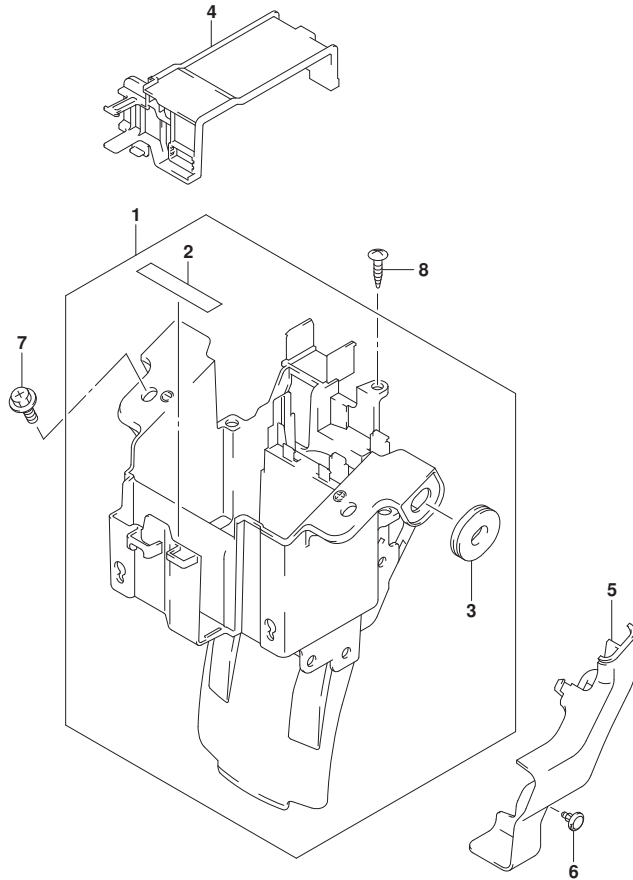


FIG.407A

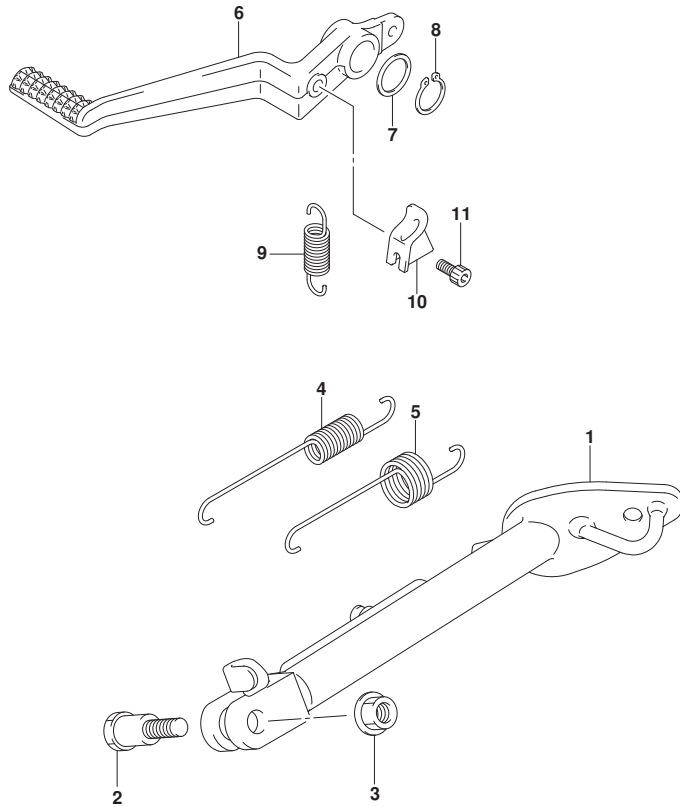


FIG.407A (1-E-2) STAND (SV650A,SV650AU)

REF NO.	PART NO.	DESCRIPTION	Q'TY	REMARKS
1	42310-18K00	STAND,PROP	1	
2	09111-10059	BOLT (10X21)	1	
3	08319-3110A	NUT	1	
4	09443-15046	SPRING	1	
5	09443-22017	SPRING	1	
6	43111-44G10	PEDAL,BRAKE	1	
7	09160-18022	WASHER (18X24X1.0)	1	
8	08331-3118A	CIRCLIP	1	
9	09443-11030	SPRING	1	
10	43561-44G00	BRACKET,RETURN SPRING	1	
11	07130-0610B	BOLT	1	



FIG.407B

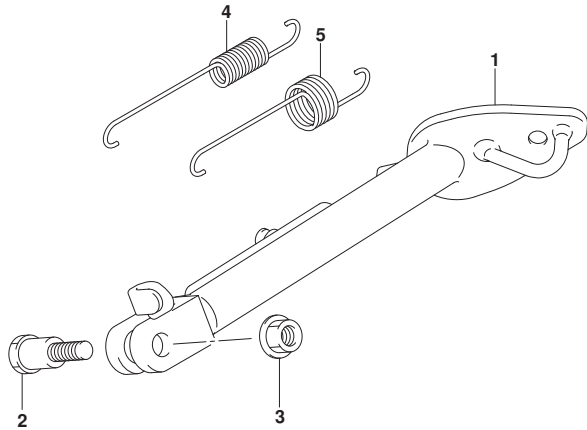
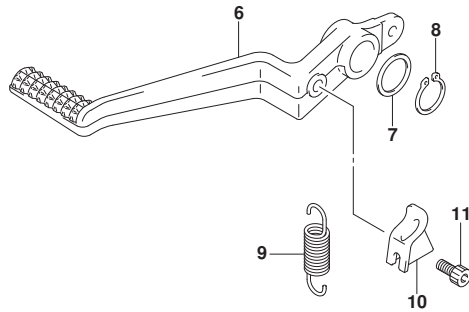


FIG.407B (1-E-3) STAND (SV650XA,SV650XAU)

REF NO.	PART NO.	DESCRIPTION	Q'TY	REMARKS
1	42310-18K00	STAND,PROP	1	
2	09111-10059	BOLT (10X21)	1	
3	08319-3110A	NUT	1	
4	09443-15046	SPRING	1	
5	09443-22017	SPRING	1	
6	43111-44G20	PEDAL,BRAKE	1	
7	09160-18022	WASHER (18X24X1.0)	1	
8	08331-3118A	CIRCLIP	1	
9	09443-11030	SPRING	1	
10	43561-44G00	BRACKET,RETURN SPRING	1	
11	07130-0610B	BOLT	1	

FIG.415A

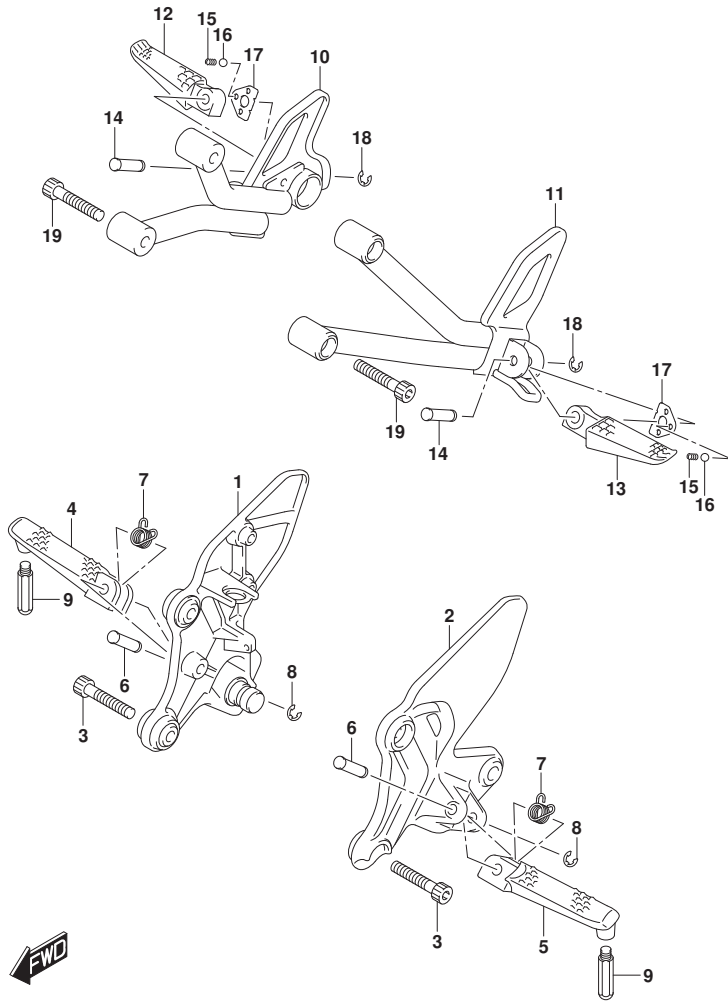


FIG.415A (1-E-4) FOOTREST (SV650A,SV650AU)

REF NO.	PART NO.	DESCRIPTION	Q'TY	REMARKS
1	43510-18K00	BRACKET,FOOTREST RH	1	
2	43521-18K00	BRACKET,FOOTREST LH	1	
3	09106-08186	BOLT (8X23)	4	
4	43516-18K00	BAR,FRONT FOOTREST RH	1	
5	43526-18K00	BAR,FRONT FOOTREST LH	1	
6	09208-08019	PIN	2	
7	09448-14046	SPRING	2	
8	08332-1106A	E-RING	2	
9	43576-48B20	BOLT,BANK SENSOR	2	
10	43810-18K00	BRACKET,PILLION FTRST RH	1	
11	43820-18K00	BRACKET,PILLION FTRST LH	1	
12	43611-37H20	BAR,PILLION FOOTREST RH	1	
13	43621-37H20	BAR,PILLION FOOTREST LH	1	
14	09208-08017	PIN	2	
15	09440-05005	SPRING	2	
16	06111-07004	BALL	2	
17	43816-01H10	PLATE,PILLION FOOTREST	2	
18	08332-1106A	E-RING	2	
19	09106-08074	BOLT (8X40)	4	

FIG.415B

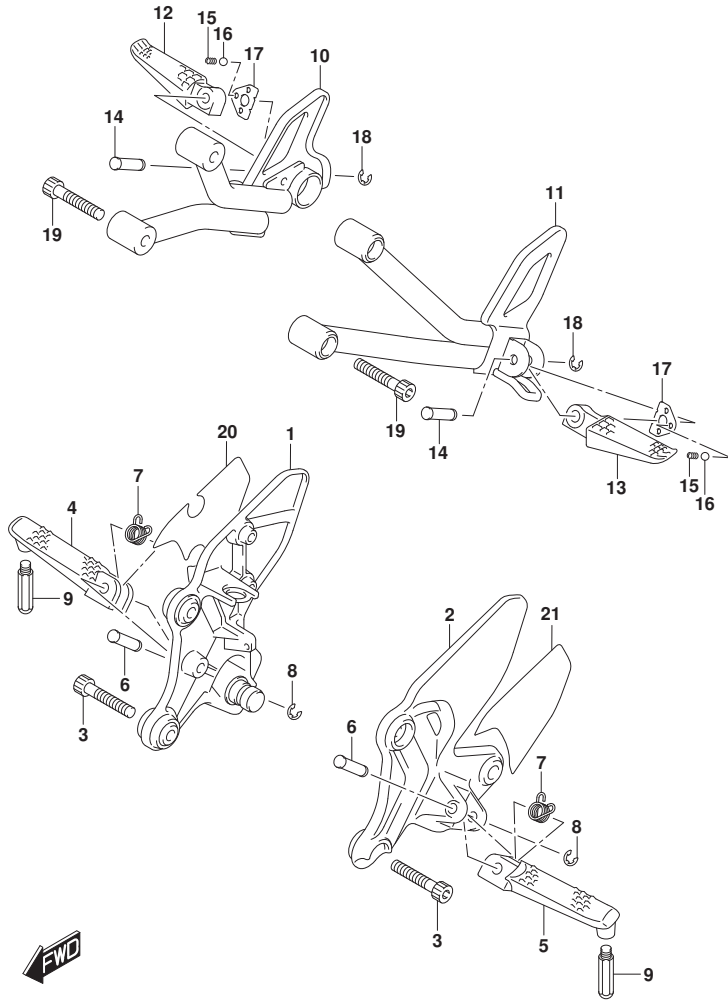


FIG.415B (1-E-5) FOOTREST (SV650XA,SV650XAU)

REF NO.	PART NO.	DESCRIPTION	Q'TY	REMARKS
1	43510-18K10	BRACKET,FOOTREST RH	1	
2	43521-18K10	BRACKET,FOOTREST LH	1	
3	09106-08186	BOLT (8X23)	4	
4	43516-18K10	BAR,FRONT FOOTREST RH	1	
5	43526-18K10	BAR,FRONT FOOTREST LH	1	
6	09208-08019	PIN	2	
7	09448-14046	SPRING	2	
8	08332-1106A	E-RING	2	
9	43576-48B70	BOLT,BANK SENSOR	2	
10	43810-18K00	BRACKET,PILLION FTRST RH	1	
11	43820-18K00	BRACKET,PILLION FTRST LH	1	
12	43611-37H30	BAR, PILLION FOOTREST RH	1	
13	43621-37H30	BAR, PILLION FOOTREST LH	1	
14	09208-08017	PIN	2	
15	09440-05005	SPRING	2	
16	06111-07004	BALL	2	
17	43816-01H10	PLATE,PILLION FOOTREST	2	
18	08332-1106A	E-RING	2	
19	09106-08074	BOLT (8X40)	4	
20	43571-18K00	TAPE,FR FOOTREST NO.1 RH	1	
21	43572-18K00	TAPE,FR FOOTREST NO.1 LH	1	

FIG.420A

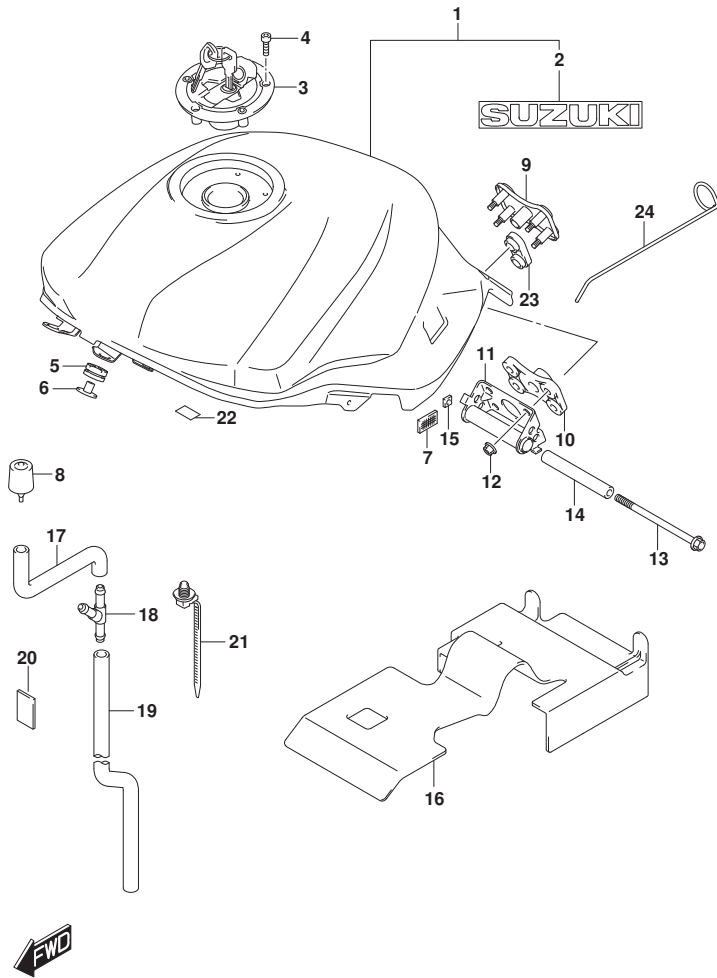


FIG.420A (1-E-6) FUEL TANK (SV650A,SV650AU)

REF NO.	PART NO.	DESCRIPTION	Q'TY	REMARKS
1-1	44100-18K70-YKV	TANK ASSY,FUEL (BLACK)	1	BODY COLOR:YKV
1-2	44100-18K60-YMD	TANK ASSY,FUEL (SILVER)	1	BODY COLOR:YMD
1-3	44100-18K60-YVB	TANK ASSY,FUEL (BLACK)	1	BODY COLOR:YVB
2-1	68111-47C20-KGL	.EMBLEM,"SUZUKI" (BLACK)	2	BODY COLOR:YKV
2-2	68111-47C10-YVB	.EMBLEM,"SUZUKI" (BLACK)	2	BODY COLOR:YMD
2-3	68111-47C10-YLF	.EMBLEM,"SUZUKI" (GRAY)	2	BODY COLOR:YVB
3	44200-17820	CAP SET, FUEL TANK	1	
4	44244-11J00	BOLT,FUEL TANK FILLER CAP	3	
5	44511-18K00	CUSHION,FUEL TANK FRONT	2	
6	44512-04K00	SPACER,FUEL TANK FRONT	2	
7	44572-13G00	FASTENER,FUEL TANK (33X25X3.0)	2	
8	44542-29G00	CUSHION,FUEL TANK REAR	2	
9	44570-16G00	BRACKET,FUEL TANK REAR UP	1	
10	44542-18K00	CUSHION,FUEL TANK RR LWR	1	
11	44530-44H00	BRACKET,FUEL TANK REAR	1	
12	08319-3106A	NUT	4	
13	09103-06060	BOLT (6X100)	1	
14	44561-35F00	SPACER,FUEL TANK REAR	1	
15	08318-1106A	NUT	1	
16	44191-18K00	SHEET,HEAT SHIELD RUBBER	1	
17	44423-18K01	HOSE,FUEL TANK DRAIN NO.1	1	
18	09367-08010	JOINT,DRAIN HOSE	1	
19	44423-18K11	HOSE,FUEL TANK DRAIN NO.2	1	
20	44427-18K10	SHIELD,DRAIN HOSE HEAT	1	
21	09407-17403	CLAMP (L:154)	2	
22	36611-16G00	TAPE,WIRING HARNESS (28X50X0.1 3)	1	
23	44541-18K00	CUSHION,FUEL TANK RR UPR	2	
24	44560-23H00	STAY,FUEL TANK	1	

FIG.420C

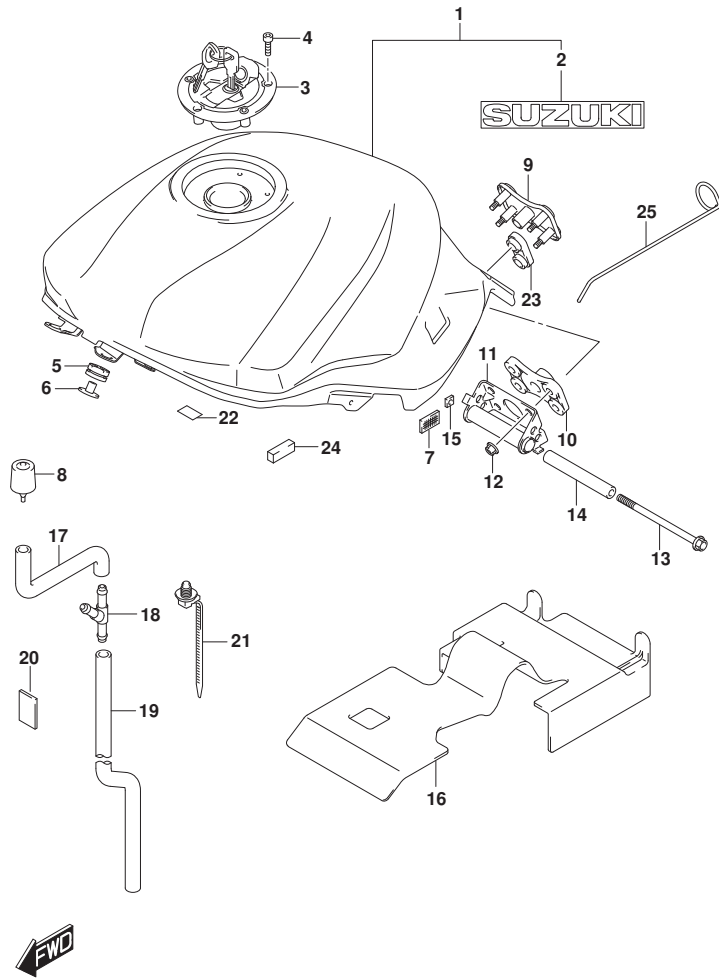


FIG.420C (1-E-7) FUEL TANK (SV650XA,SV650XAU)

REF NO.	PART NO.	DESCRIPTION	Q'TY	REMARKS
1	44100-18K60-YVB	TANK ASSY,FUEL (BLACK)	1	
2	68111-47C10-YLF	.EMBLEM,"SUZUKI" (GRAY)	2	
3	44200-17820	CAP SET, FUEL TANK	1	
4	44244-11J00	BOLT,FUEL TANK FILLER CAP	3	
5	44511-18K00	CUSHION,FUEL TANK FRONT	2	
6	44512-04K00	SPACER,FUEL TANK FRONT	2	
7	44572-13G00	FASTENER,FUEL TANK (33X25X3.0)	2	
8	44542-29G00	CUSHION,FUEL TANK REAR	2	
9	44570-16G00	BRACKET,FUEL TANK REAR UP	1	
10	44542-18K00	CUSHION,FUEL TANK RR LWR	1	
11	44530-44H00	BRACKET,FUEL TANK REAR	1	
12	08319-3106A	NUT	4	
13	09103-06060	BOLT (6X100)	1	
14	44561-35F00	SPACER,FUEL TANK REAR	1	
15	08318-1106A	NUT	1	
16	44191-18K00	SHEET,HEAT SHIELD RUBBER	1	
17	44423-18K01	HOSE,FUEL TANK DRAIN NO.1	1	
18	09367-08010	JOINT,DRAIN HOSE	1	
19	44423-18K11	HOSE,FUEL TANK DRAIN NO.2	1	
20	44427-18K10	SHIELD,DRAIN HOSE HEAT	1	
21	09407-17403	CLAMP (L:154)	2	
22	36611-16G00	TAPE,WIRING HARNESS (28X50X0.1 3)	1	
23	44541-18K00	CUSHION,FUEL TANK RR UPR	2	
24	44281-18K01	CUSHION,FUEL TANK COVER	2	
25	44560-23H00	STAY,FUEL TANK	1	

FIG.422A

FIG.422A (1-E-8) FUEL TANK FRONT COVER

REF NO.	PART NO.	DESCRIPTION	Q'TY	REMARKS
1	44271-18K00	COVER,FUEL TANK FRONT	1	
2	44176-31J00	CUSHION,TANK COVER SIDE NO.1	2	
3	44277-18K00	CUSHION,TANK COVER FRONT NO.2	2	
4	44278-18K00	CUSHION	2	
5	44279-18K00	CUSHION,TANK COVER FRONT NO.4 (5X50X5)	1	
6	09409-07333	CLIP (D:2.4,ID:23.7)	2	
7	09139-06192	SCREW (6X25)	2	
8	09160-06109	WASHER (6.5X18X1.6)	2	

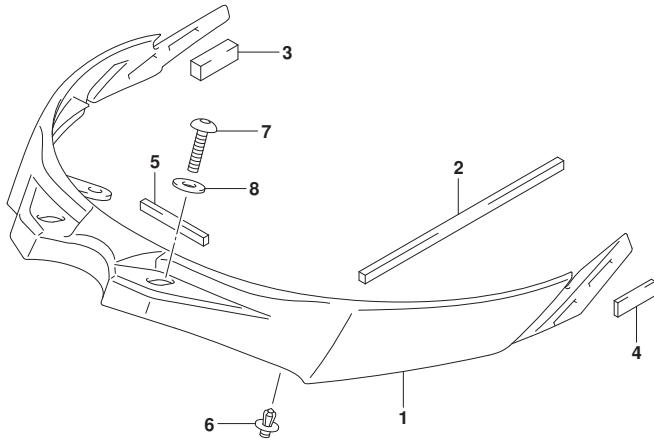


FIG.427A

FIG.427A (1-E-9) EVAP SYSTEM

REF NO.	PART NO.	DESCRIPTION	Q'TY	REMARKS
1	44434-18K00	HOSE,TANK & BREATHER VALVE	1	
2	09401-11413	CLIP (ID:11)	9	
3	09367-06011	JOINT,HOSE	1	
4	17210-15H10	CANISTER	1	
5	09251-07003	CAP (OD:11.5)	1	
6	44883-06G00	CUSHION,CANISTER	1	
7	09401-12404	CLIP (ID:12)	2	
8	09367-06009	JOINT	2	
9	18563-18K00	HOSE,PURGE NO.1	1	
10	18564-18K00	HOSE,PURGE NO.2	1	
11	18562-18K00	HOSE,SURGE NO.2	1	
12	18561-18K00	HOSE,SURGE NO.1	1	

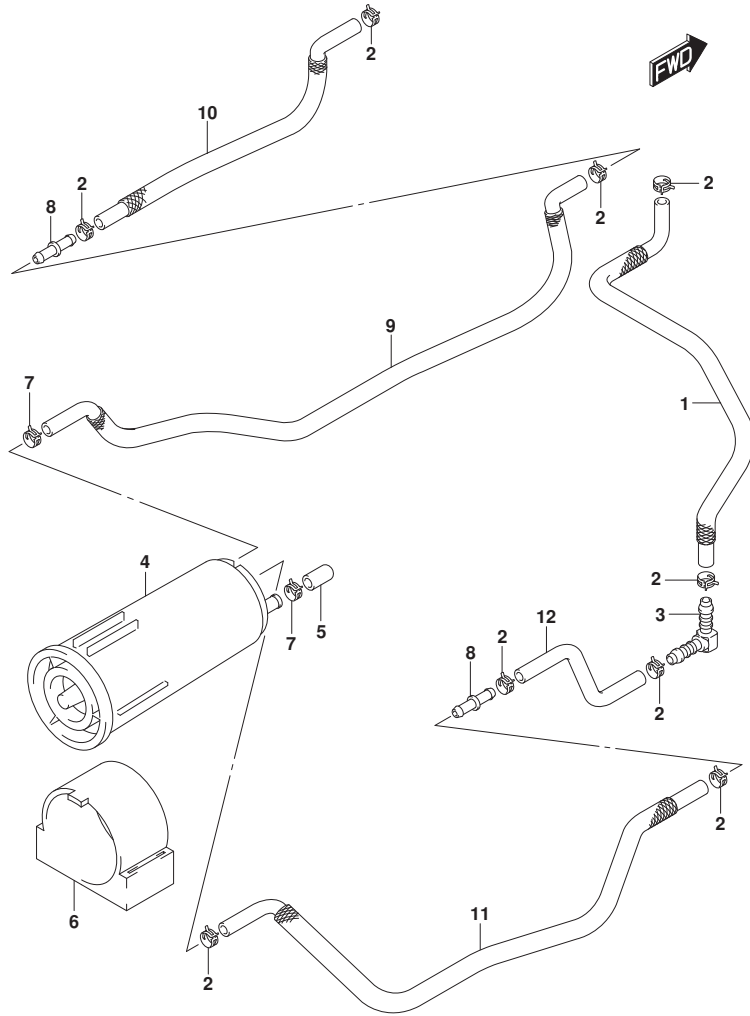


FIG.443A

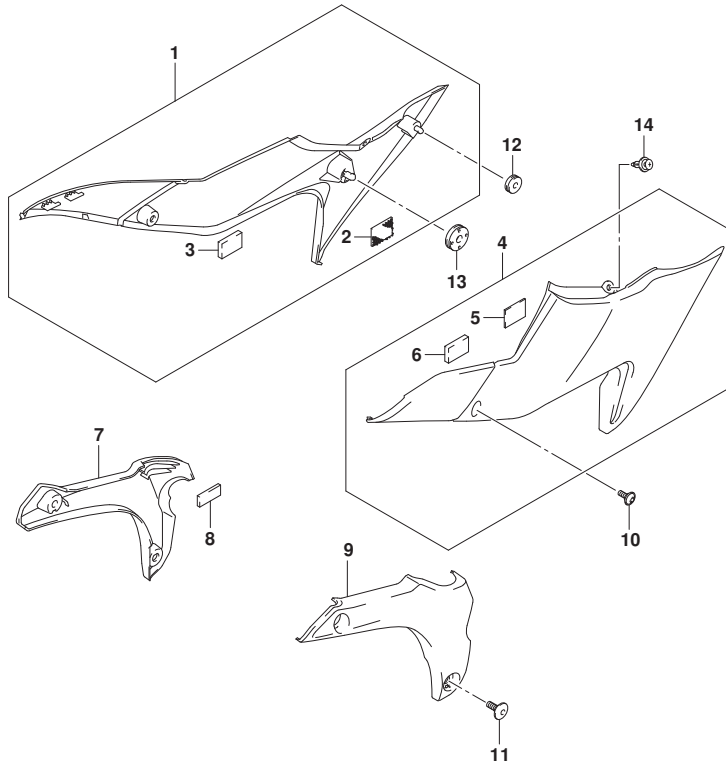


FIG.443A (1-E-10) FRAME CENTER COVER (SV650A,SV650AU)

REF NO.	PART NO.	DESCRIPTION	Q'TY	REMARKS
1	47110-18K00	COVER,FRAME FRONT RH	1	
2	44572-13G00	.FASTENER,FUEL TANK (33X25X3.0	1	
		)		
3	63411-35B00	.CUSHION (20X40X10)	1	
4	47210-18K00	COVER,FRAME LH	1	
5	44572-13G00	.FASTENER,FUEL TANK (33X25X3.0	1	
		)		
6	63411-35B00	.CUSHION (20X40X10)	1	
7	47611-18K00-YKV	COVER,FRAME LOWER RH (BLACK)	1	
8	47613-44H00	CUSHION,FRAME COVER LWR NO.2	2	
9	47711-18K00-YKV	COVER,FRAME LOWER LH (BLACK)	1	
10	09139-05074	BOLT (5X13)	2	
11	47915-31J00	SCREW (6X16)	4	
12	09320-06504	CUSHION	2	
13	09320-08028	CUSHION (8X26X7)	2	
14	09409-06322	CLIP	2	





FIG.443B

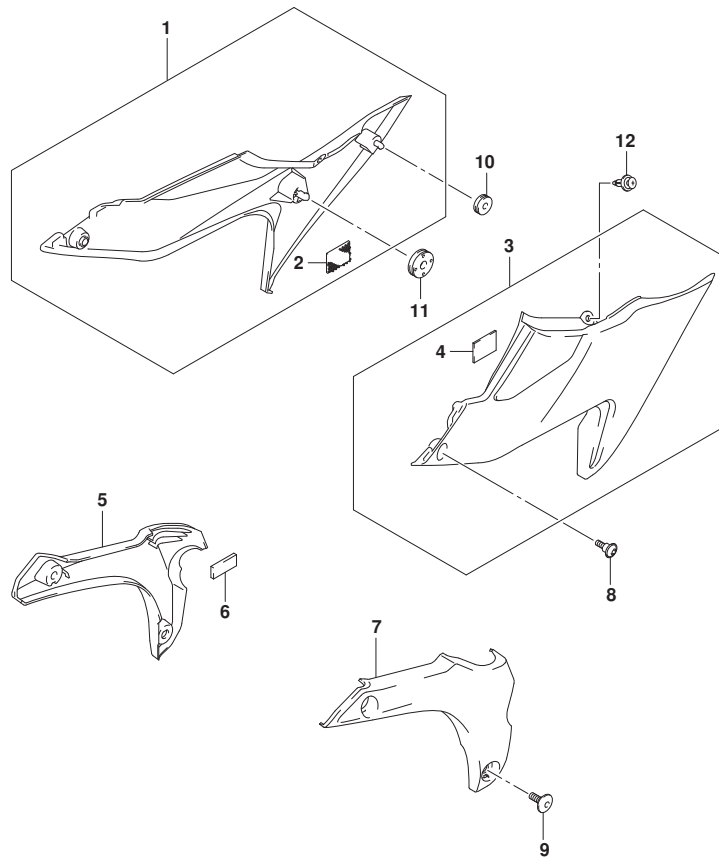


FIG.443B (1-E-11) FRAME CENTER COVER (SV650XA,SV650XAU)

REF NO.	PART NO.	DESCRIPTION	Q'TY	REMARKS
1	47110-18KA0	COVER,FRAME FRONT RH	1	
2	44572-13G10	.FASTENER,REAR COMB LAMP (33X2 5)	1	
3	47210-18KA0	COVER,FRAME FRONT LH	1	
4	44572-13G10	.FASTENER,REAR COMB LAMP (33X2 5)	1	
5	47611-18K00-YKV	COVER,FRAME LOWER RH (BLACK)	1	
6	47613-44H00	CUSHION,FRAME COVER LWR NO.2	2	
7	47711-18K00-YKV	COVER,FRAME LOWER LH (BLACK)	1	
8	09139-05504	SCREW (5X16)	2	
9	47915-31J00	SCREW (6X16)	4	
10	09320-06504	CUSHION	2	
11	09320-08028	CUSHION (8X26X7)	2	
12	09409-06322	CLIP	2	

FIG.445A

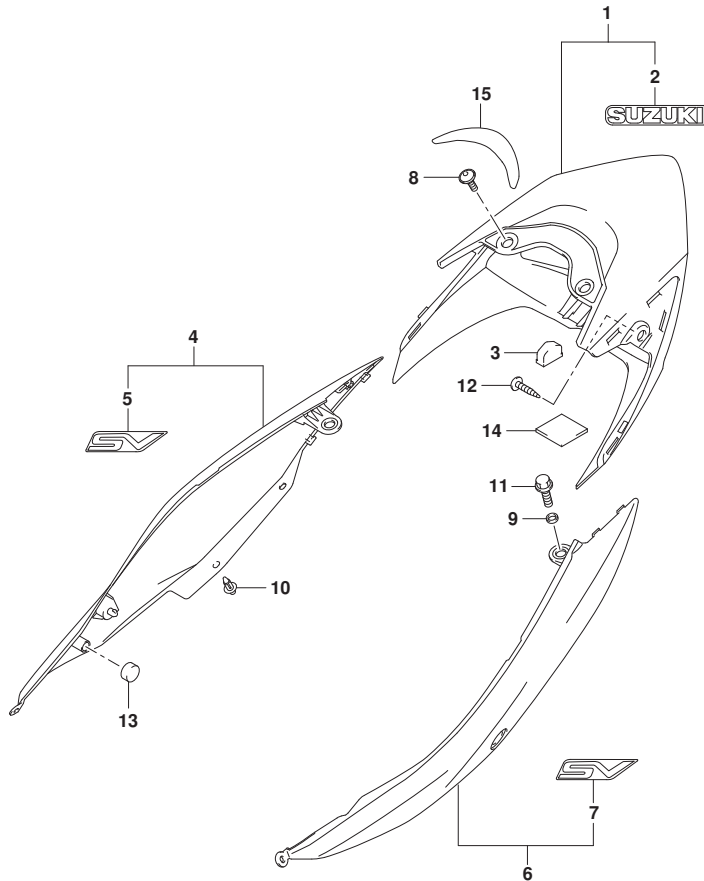


FIG.445A (1-E-12) FRAME COVER (SV650A,SV650AU)

REF NO.	PART NO.	DESCRIPTION	Q'TY	REMARKS
1	47310-18K00-4TX	COVER,FRAME REAR CTR (BLACK)	1	
2	68171-28H10-KGL	.EMBLEM,"SUZUKI" (BLACK)	1	
3	47315-18K00	CUSHION,FRAME COVER CTR	1	
4-1	47410-18K20-YKV	COVER,FRAME REAR RH (BLACK)	1	BODY COLOR:YKV
4-2	47410-18K20-YMD	COVER,FRAME REAR RH (SILVER)	1	BODY COLOR:YMD
4-3	47410-18K20-YVB	COVER,FRAME REAR RH (BLACK)	1	BODY COLOR:YVB
5-1	68111-18K00-KGL	.EMBLEM,"SV" (BLACK)	1	BODY COLOR:YKV
5-2	68111-18K00-YVB	.EMBLEM,"SV" (BLACK)	1	BODY COLOR:YMD
5-3	68111-18K00-YLF	.EMBLEM,"SV" (GRAY)	1	BODY COLOR:YVB
6-1	47510-18K20-YKV	COVER,FRAME REAR LH (BLACK)	1	BODY COLOR:YKV
6-2	47510-18K20-YMD	COVER,FRAME REAR LH (SILVER)	1	BODY COLOR:YMD
6-3	47510-18K20-YVB	COVER,FRAME REAR LH (BLACK)	1	BODY COLOR:YVB
7-1	68111-18K00-KGL	.EMBLEM,"SV" (BLACK)	1	BODY COLOR:YKV
7-2	68111-18K00-YVB	.EMBLEM,"SV" (BLACK)	1	BODY COLOR:YMD
7-3	68111-18K00-YLF	.EMBLEM,"SV" (GRAY)	1	BODY COLOR:YVB
8	09139-05074	BOLT (5X13)	2	
9	09180-08052	SPACER (8.5X12X2.5)	2	
10	09409-06314	CLIP (5.9X20.5)	4	
11	01550-0812A	BOLT	2	
12	03541-0510A	SCREW	2	
13	09329-14002	CUSHION	2	
14	33652-20C00	PROTECTOR (50X50X5)	2	CUT AS REQUIRED
15	47312-18K00	TAPE,FRAME COVER RR CTR	1	

FIG.445B

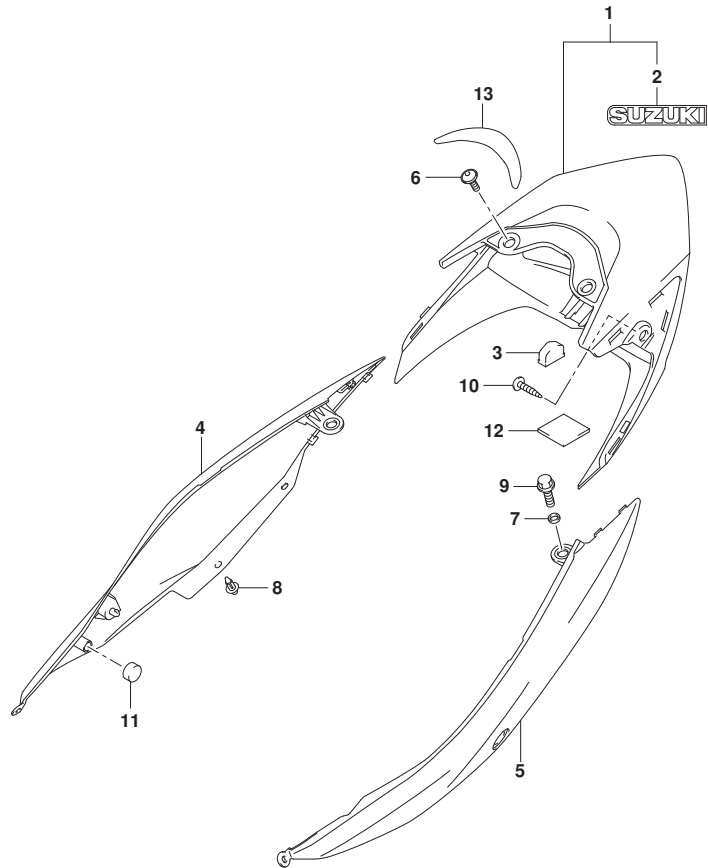


FIG.445B (1-E-13) FRAME COVER (SV650XA,SV650XAU)

REF NO.	PART NO.	DESCRIPTION	Q'TY	REMARKS
1	47310-18KA0-YVB	COVER,FRAME REAR CTR (BLACK)	1	
2	68171-28H10-APT	EMBLEM,"SUZUKI" (SILVER,BLACK )	1	
3	47315-18K00	CUSHION,FRAME COVER CTR	1	
4	47411-18KA1-YVB	COVER,FRAME REAR RH (BLACK)	1	
5	47511-18KA1-YVB	COVER,FRAME REAR LH (BLACK)	1	
6	09139-05074	BOLT (5X13)	2	
7	09180-08052	SPACER (8.5X12X2.5)	2	
8	09409-06314	CLIP (5.9X20.5)	4	
9	01550-0812A	BOLT	2	
10	03541-0510A	SCREW	2	
11	09329-14002	CUSHION	2	
12	33652-20C00	PROTECTOR (50X50X5)	2	CUT AS REQUIRED
13	47312-18K00	TAPE,FRAME COVER RR CTR	1	



FIG.449A

**FIG.449A (1-E-14) FRAME HEAD COVER (SV650A,SV650AU)**

REF NO.	PART NO.	DESCRIPTION	Q'TY	REMARKS
1	47351-18K00	COVER,FRAME HEAD RH	1	
2	47361-18K00	COVER,FRAME HEAD LH	1	
3	47543-44H00	COVER,FRAME BODY REAR LH	1	
4	09139-05074	BOLT (5X13)	2	
5	09139-05074	BOLT (5X13)	2	
6	09409-08326	CLIP (10.5X14.3)	2	

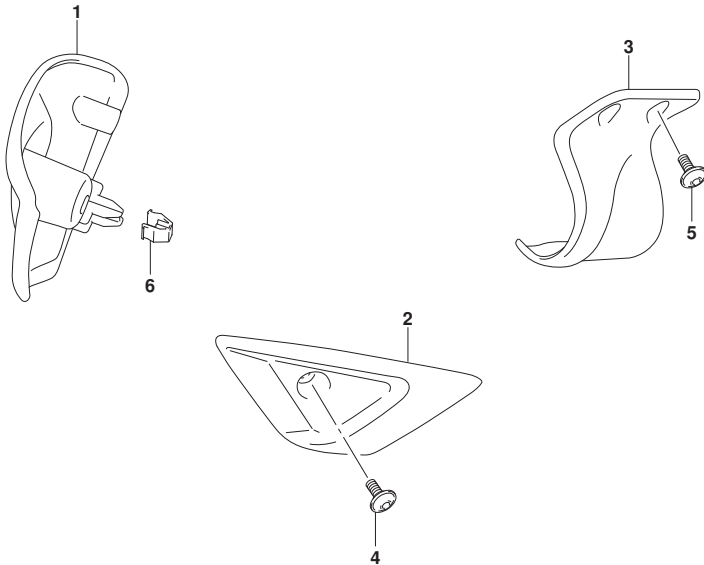


FIG.449B

FIG.449B (1-E-15) FRAME HEAD COVER (SV650XA,SV650XAU)

REF NO.	PART NO.	DESCRIPTION	Q'TY	REMARKS
1	47543-44H00	COVER,FRAME BODY REAR LH	1	
2	09139-05074	BOLT (5X13)	2	
3	09139-05074	BOLT (5X13)	2	
4	47115-18K00	BRACKET,FRAME COVER	2	
5	47120-18K10-YVB	COVER,FRAME UPPER RH (BLACK)	1	
6	68135-18K10-B1P	.TAPE,FRAME COVER RH	1	
7	47220-18K10-YVB	COVER,FRAME UPPER LH (BLACK)	1	
8	68145-18K10-B1P	.TAPE,FRAME COVER LH	1	
9	01550-0510A	BOLT	2	
10	33652-21G10	CUSHION (40X20X5)	1	
11	17798-29E30	CUSHION (20X30X15)	1	

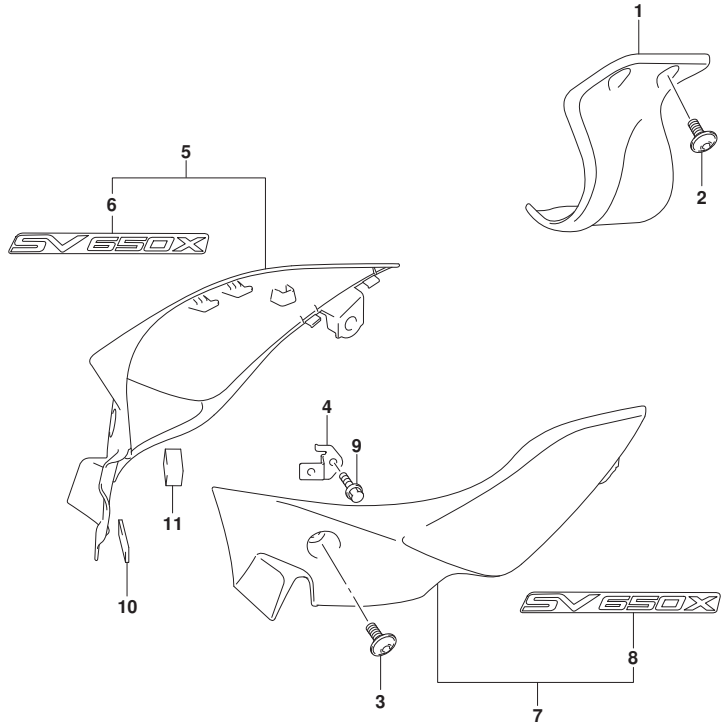


FIG.452A

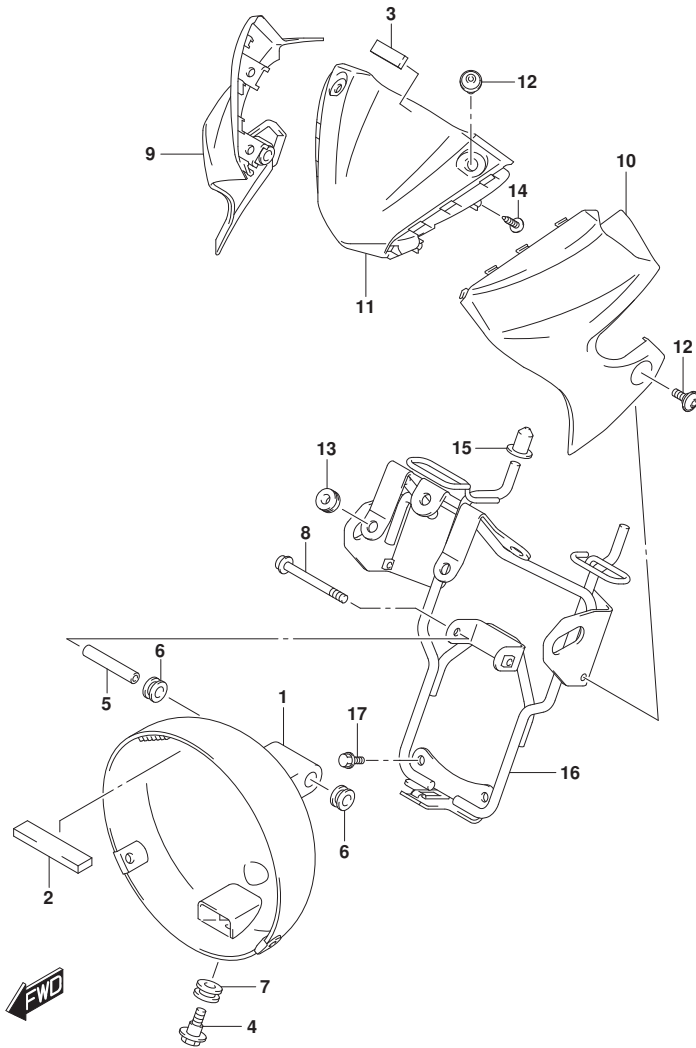


FIG.452A (1-E-16) HEADLAMP COVER (SV650A,SV650AU)

REF NO.	PART NO.	DESCRIPTION	Q'TY	REMARKS
1	51811-18K01	COVER,HEADLAMP	1	
2	51827-13G00	CUSHION,HOUSING	1	
3	51827-18K00	CUSHION,METER COVER	1	
4	09139-06118	SCREW (6X22.5)	1	
5	09180-06368	SPACER	1	
6	09320-09016	CUSHION (9X18X9.5)	2	
7	09320-10501	CUSHION	1	
8	07120-0665B	BOLT	1	
9	51821-18K00-YKV	COVER,METER RH (BLACK)	1	
10	51831-18K00-YKV	COVER,METER LH (BLACK)	1	
11	51841-18K00	COVER,METER CENTER	1	
12	09139-05074	BOLT (5X13)	4	
13	09320-06504	CUSHION	2	
14	03541-0512A	SCREW	4	
15	51831-21D00	CUSHION,HEADLAMP HSG BRACE	2	
16	51850-18K00	BRACE,HEADLAMP	1	
17	09103-06525	BOLT (6X12)	2	

FIG.452B

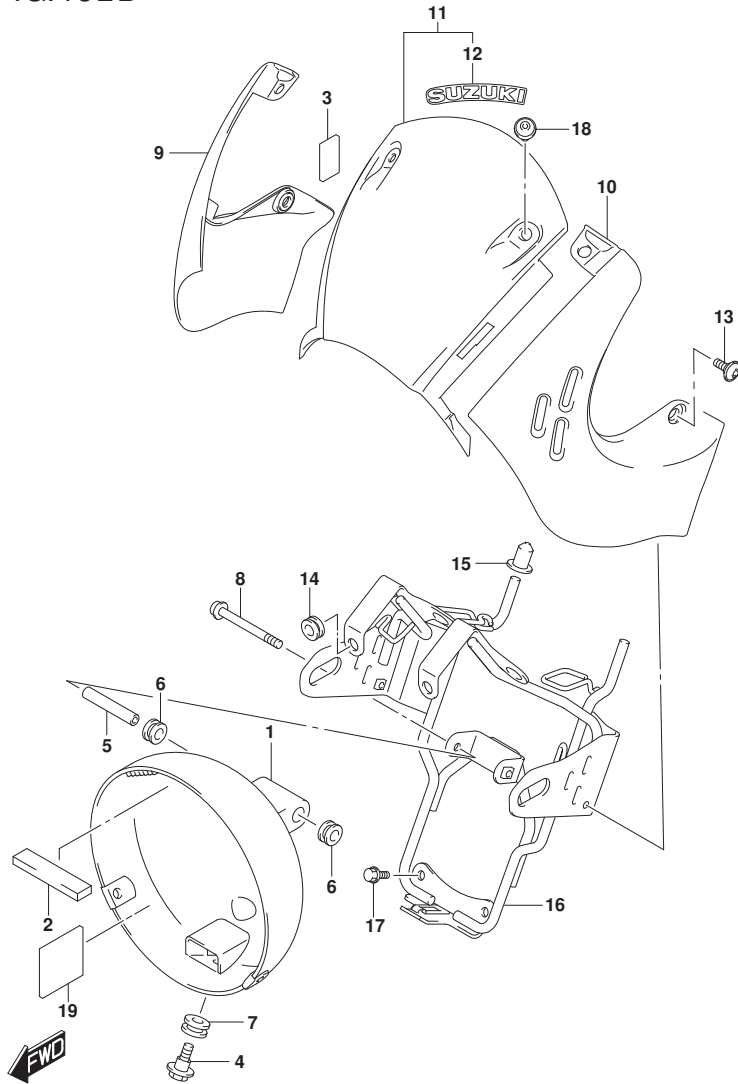


FIG.452B (1-F-2) HEADLAMP COVER (SV650XA,SV650XAU)

REF NO.	PART NO.	DESCRIPTION	Q'TY	REMARKS
1	51811-18K01	COVER,HEADLAMP	1	
2	51827-13G00	CUSHION,HOUSING	1	
3	47613-44H00	CUSHION,FRAME COVER LWR NO.2	4	
4	09139-06118	SCREW (6X22.5)	1	
5	09180-06368	SPACER	1	
6	09320-09016	CUSHION (9X18X9.5)	2	
7	09320-10501	CUSHION	1	
8	07120-0665B	BOLT	1	
9	51822-18K00-YVB	COVER,METER RH (BLACK)	1	
10	51823-18K00-YVB	COVER,METER LH (BLACK)	1	
11	51810-18K00-YVB	COVER,METER CENTER (BLACK)	1	
12	68161-16G00-YD8	.EMBLEM,"SUZUKI" (SILVER)	1	
13	09139-05074	BOLT (5X13)	2	
14	09320-06504	CUSHION	2	
15	51831-21D00	CUSHION,HEADLAMP HSG BRACE	2	
16	51850-18K10	BRACE,HEADLAMP	1	
17	09103-06525	BOLT (6X12)	2	
18	09139-05504	SCREW (5X16)	2	
19	92213-33G00	CUSHION,HELMET BOX (60X60X3.0)	1	

FIG.460B

FIG.460B (1-F-3) FRONT FENDER

REF NO.	PART NO.	DESCRIPTION	Q'TY	REMARKS
1	53111-18K00	FENDER,FRONT	1	
2	09111-06092	BOLT (6X19)	2	
3	09139-06190	BOLT (6X20)	2	
4	09320-09016	CUSHION (9X18X9.5)	4	

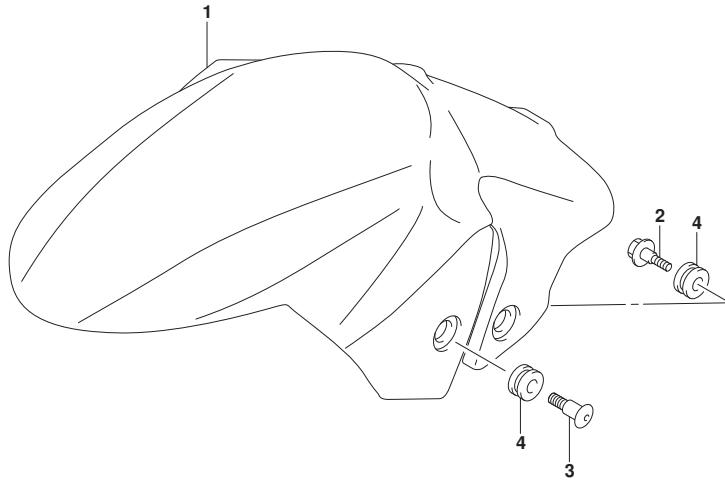




FIG.462A

FIG.462A (1-F-4) HANDLEBAR (SV650A,SV650AU)

REF NO.	PART NO.	DESCRIPTION	Q'TY	REMARKS
1	56111-44H12-YAP	HANDLEBAR (BLACK)	1	
2	56200-41830	BALANCER SET,HANDLEBAR	2	
3	02122-0670B	.SCREW	2	
4	56272-42F00	.EXPANDER,HANDLE BALANCER	2	
5	09180-06161	.SPACER (6.5X16X15)	2	
6	56272-10G00	.EXPANDER,HANDLE BALANCER	2	
7	56273-10G10	.NUT,HANDLE BALANCER	2	
8	56500-08J11	MIRROR ASSY,REAR VIEW RH	1	
9	56600-08J11	MIRROR ASSY,REAR VIEW LH	1	
10	58200-44H10	CABLE ASSY,CLUTCH	1	
11	09407-18402	CLAMP (L:165)	1	
12	58634-44H00	STOPPER,CLUTCH CABLE	1	
13	58300-44H20	CABLE ASSY,THROTTLE NO.1	1	
14	58300-44H30	CABLE ASSY,THROTTLE NO.2	1	
15	02142-0510B	SCREW	1	
16	87873-56K50	PROTECTOR	1	

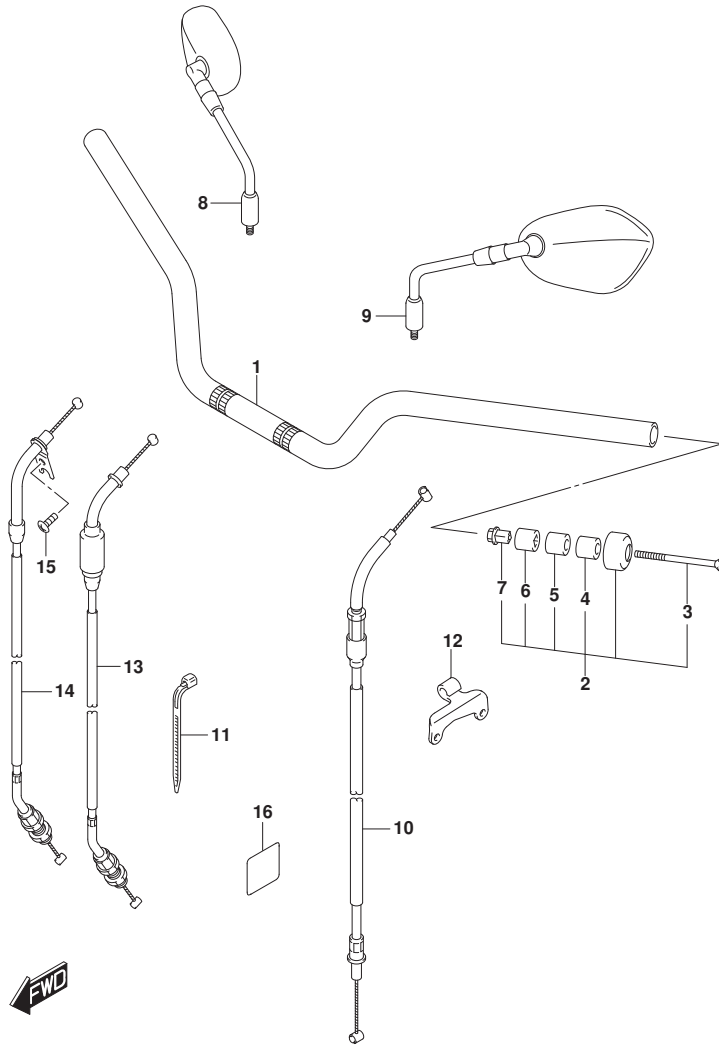


FIG.462B

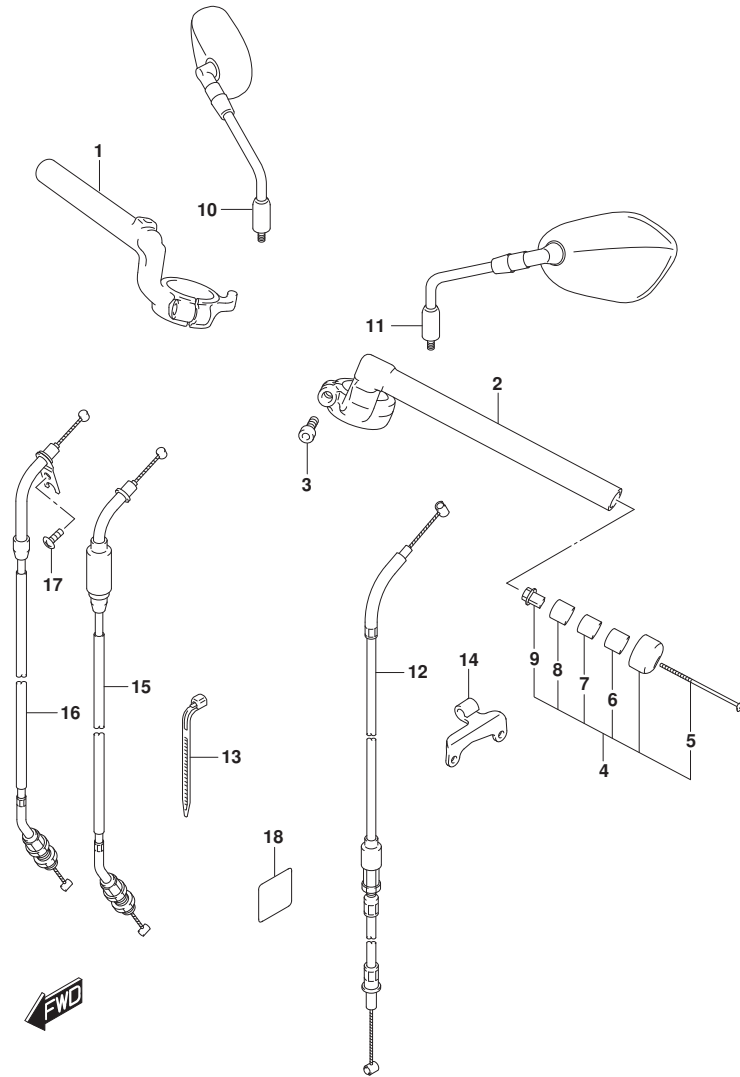


FIG.462B (1-F-5) HANDLEBAR (SV650XA,SV650XAU)

REF NO.	PART NO.	DESCRIPTION	Q'TY	REMARKS
1	56111-17G20	HANDLEBAR RH	1	
2	56151-17G20	HANDLEBAR LH	1	
3	07130-0830B	BOLT	2	
4	56200-41830	BALANCER SET,HANDLEBAR	2	
5	02122-0670B	.SCREW	2	
6	56272-42F00	.EXPANDER,HANDLE BALANCER	2	
7	09180-06161	.SPACER (6.5X16X15)	2	
8	56272-10G00	.EXPANDER,HANDLE BALANCER	2	
9	56273-10G10	.NUT,HANDLE BALANCER	2	
10	56500-08J11	MIRROR ASSY,REAR VIEW RH	1	
11	56600-08J11	MIRROR ASSY,REAR VIEW LH	1	
12	58200-18K00	CABLE ASSY,CLUTCH	1	
13	09407-18402	CLAMP (L:165)	1	
14	58634-44H00	STOPPER,CLUTCH CABLE	1	
15	58300-18K02	CABLE ASSY,THROTTLE NO.1	1	
16	58300-18K12	CABLE ASSY,THROTTLE NO.2	1	
17	02142-0510B	SCREW	1	
18	87873-56K50	PROTECTOR	1	

FIG.467A

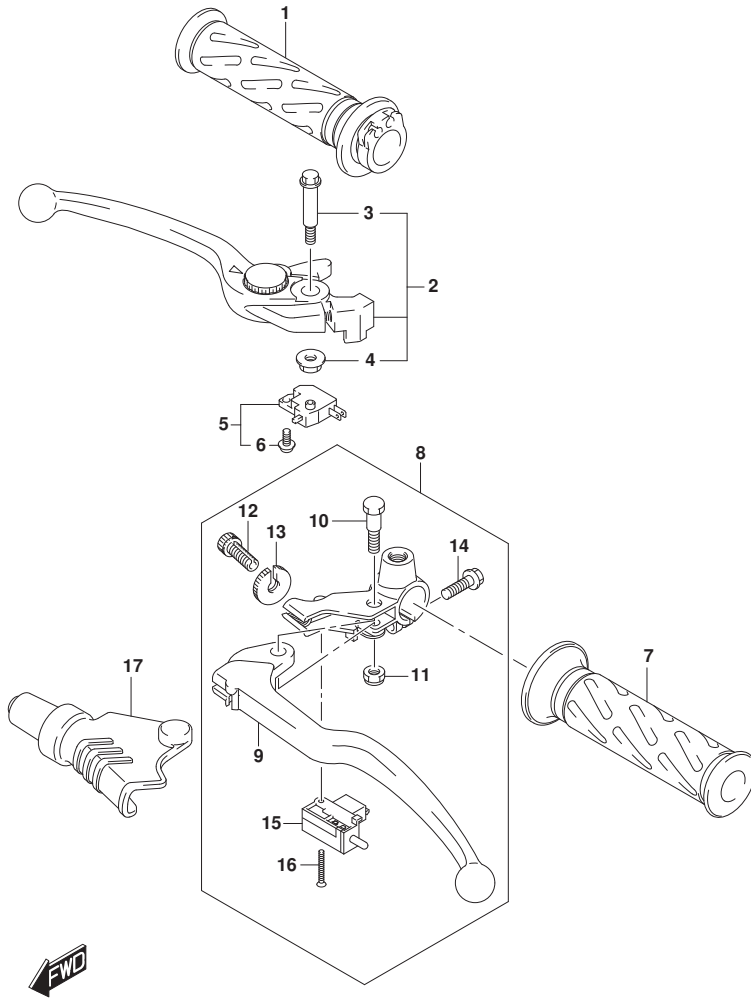


FIG.467A (1-F-6) HANDLE LEVER

REF NO.	PART NO.	DESCRIPTION	Q'TY	REMARKS
1	57110-21H02	GRIP, THROTTLE	1	
2	57300-44G20	LEVER ASSY, BRAKE	1	
3	57431-17H02	.BOLT, LEVER PIVOT	1	
4	08319-2106A	.NUT	1	
5	57460-14J01	SWITCH ASSY, FRONT BRAKE	1	
6	57465-17C00	.SCREW	1	
7	57211-21H01	GRIP LH	1	
8	57500-25D30	LEVER ASSY, CLUTCH	1	
9	57621-25D10	.LEVER, CLUTCH	1	
10	57431-45C01	.BOLT, LEVER PIVOT	1	
11	08319-2106A	.NUT	1	
12	57441-45C00	.ADJUSTER, WIRE	1	
13	57442-45C00	.NUT, LOCK	1	
14	01547-0620B	.BOLT	1	
15	57560-05A00	.SWITCH, CLUTCH	1	
16	57562-41G01	.SCREW, CLUTCH SWITCH	1	
17	57661-33E00	COVER, CLUTCH LEVER	1	

FIG.474A

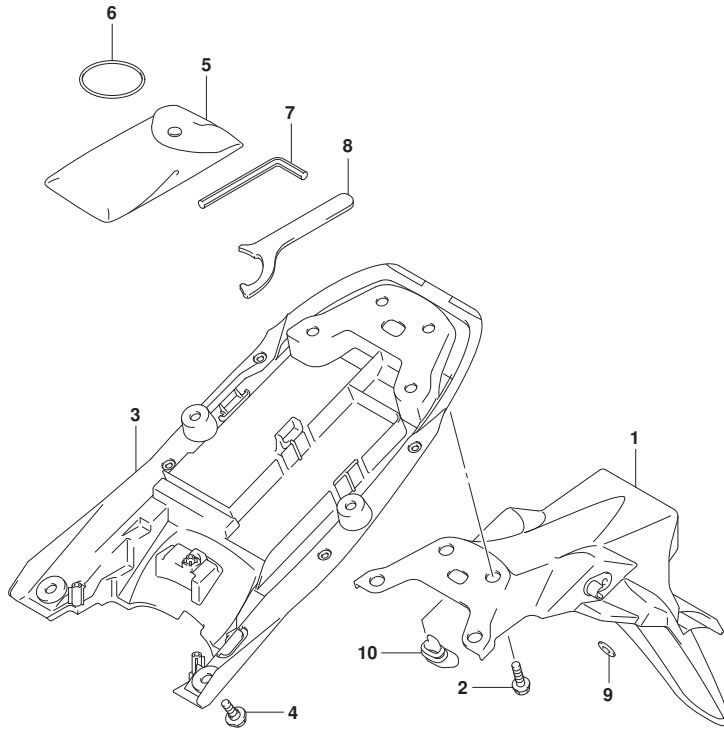


FIG.474A (1-F-7) REAR FENDER

REF NO.	PART NO.	DESCRIPTION	Q'TY	REMARKS
1	63112-18K00	FENDER,REAR REAR	1	
2	01550-0612A	BOLT	4	
3	63111-18K00	FENDER,REAR FRONT	1	
4	09111-06107	BOLT (6X12)	4	
5	09800-21058	TOOL ASSY	1	
6	09280-57003	O RING (D:3.5,ID:56.5)	1	
7	09816-00059	SPANNER,HEXAGON (5)	1	
8	09822-00003	CLAMP,WRENCH	1	
9	09160-06077	WASHER (6.5X20X1.2)	2	
10	63118-18K01	CUSHION,REAR FENDER	1	



FIG.496B

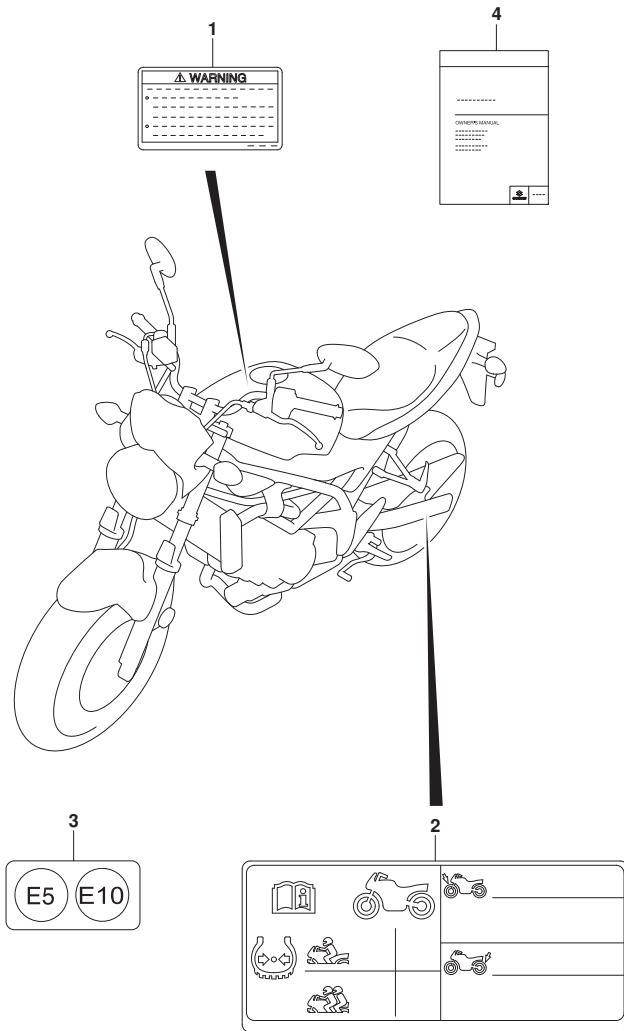


FIG.496B (1-F-8) LABEL

REF NO.	PART NO.	DESCRIPTION	Q'TY	REMARKS
1	68319-02K00	LABEL,GENERAL WARNING	1	
2	68332-18K21	LABEL,TIRE INFORMATION	1	
3	11959-15HA1	LABEL,GASOLINE (E5,E10)	1	
4	99011-18K53-01A	MANUAL,OWNER'S	1	

FIG.505A

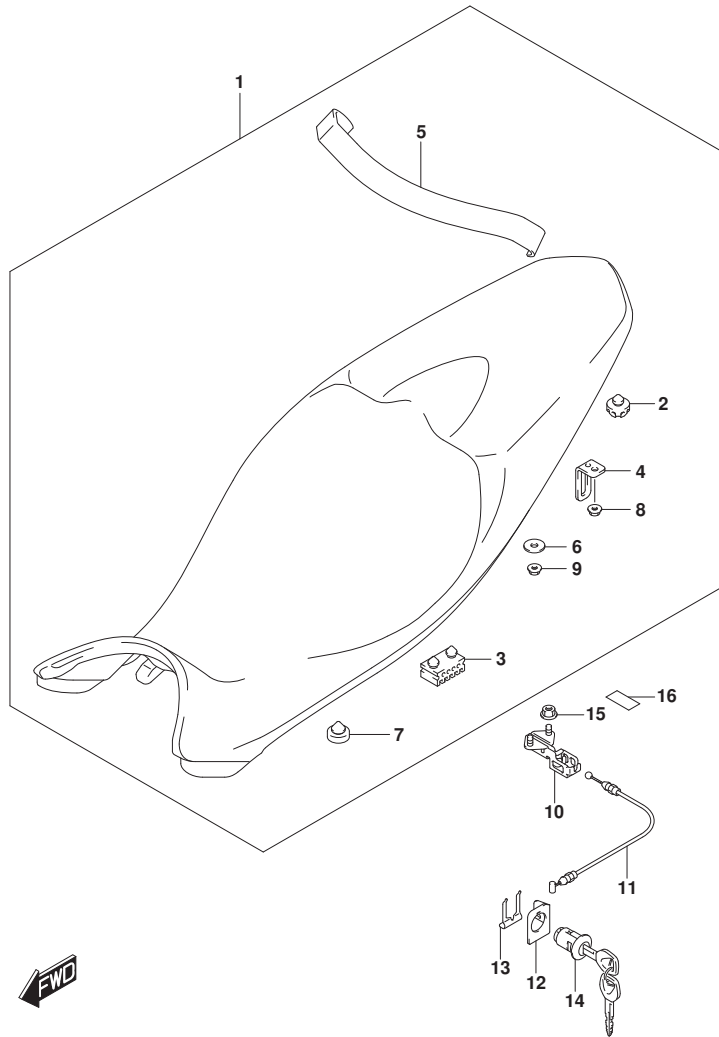


FIG.505A (1-F-9) SEAT (SV650A,SV650AU)

REF NO.	PART NO.	DESCRIPTION	Q'TY	REMARKS
1	45100-18K01-BBC	SEET,ASSY (BLACK)	1	
2	45148-20G90	.CUSHION, SEAT MONT	2	
3	45149-31300	.CUSHION,SEAT (40X20X15)	2	
4	45212-18K00	.STRIKER,SEAT LOCK	1	
5	45380-18K00-P3H	.BAND,SEAT GRIP (BLACK)	1	
6	09160-06088	.WASHER (6.5X20X1.6)	2	
7	09321-10012	.CUSHION	4	
8	08316-1006A	.NUT	1	
9	08316-1006A	.NUT	2	
10	45220-04K20	BRACKET, SEAT SUPPORT	1	
11	45280-18K00	CABLE,SEAT LOCK	1	
12	45288-14F00	GUIDE,SEAT LOCK CABLE	1	
13	45289-11F00	PLATE,SEAT LOCK ASSY	1	
14	95700-14810	LOCK SET,SEAT	1	
15	08316-1006A	NUT	2	
16	94432-19F00	PROTECTOR	2	



FIG.521A

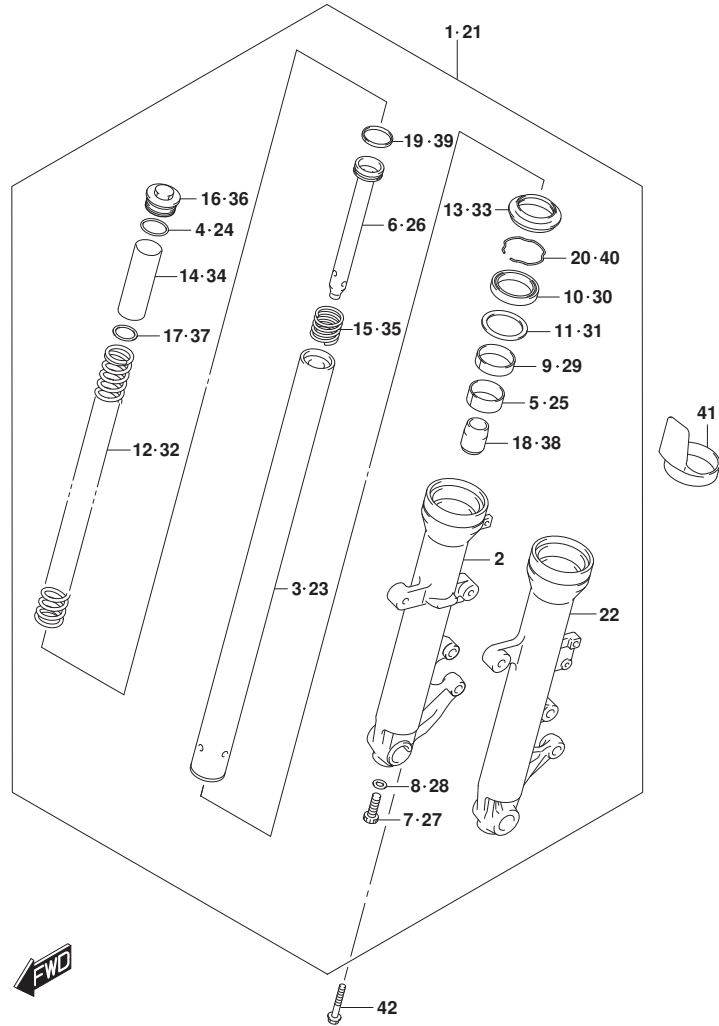


FIG.521A (1-F-11) FRONT FORK DAMPER (SV650A,SV650AU)

REF NO.	PART NO.	DESCRIPTION	Q'TY	REMARKS
1	51103-18K00-291	DAMPER ASSY,FR RH (BLACK)	1	
2	51130-18K00-291	.TUBE,OUTER RH (BLACK)	1	
3	51110-18K00	.TUBE,INNER	1	
4	51117-12C00	.O RING	1	
5	51121-44H00	.BUSH, SLIDE	1	
6	51146-17G20	.CYLINDER	1	
7	51147-06F10	.BOLT (8X18)	1	
8	51148-36011	.GASKET (8.2X13X1.5)	1	
9	51152-01H10	.BUSH,GUIDE	1	
10	51153-01H10	.SEAL,OIL	1	
11	51168-38B00	.SPACER,SEAL	1	
12	51171-18K00	.SPRING,FRONT	1	
13	51173-01H00	.SEAL,DUST	1	
14	51176-18K00	.COLLAR,SPRING	1	
15	51177-17G50	.SPRING,REBOUND	1	
16	51189-47D50	.BOLT,FORK	1	
17	51192-19C00	.JOINT,SPRING	1	
18	51195-48B31	.PIECE,OIL LOCK	1	
19	51196-12C00	.RING,PISTON	1	
20	51556-38B00	.RING,STOPPER	1	
21	51104-18K00-291	DAMPER ASSY,FR LH (BLACK)	1	
22	51140-18K00-291	.TUBE,OUTER LH (BLACK)	1	
23	51110-18K00	.TUBE,INNER	1	
24	51117-12C00	.O RING	1	
25	51121-44H00	.BUSH, SLIDE	1	
26	51146-17G20	.CYLINDER	1	
27	51147-06F10	.BOLT (8X18)	1	
28	51148-36011	.GASKET (8.2X13X1.5)	1	
29	51152-01H10	.BUSH,GUIDE	1	
30	51153-01H10	.SEAL,OIL	1	
31	51168-38B00	.SPACER,SEAL	1	
32	51171-18K00	.SPRING,FRONT	1	
33	51173-01H00	.SEAL,DUST	1	
34	51176-18K00	.COLLAR,SPRING	1	
35	51177-17G50	.SPRING,REBOUND	1	



FIG.521A

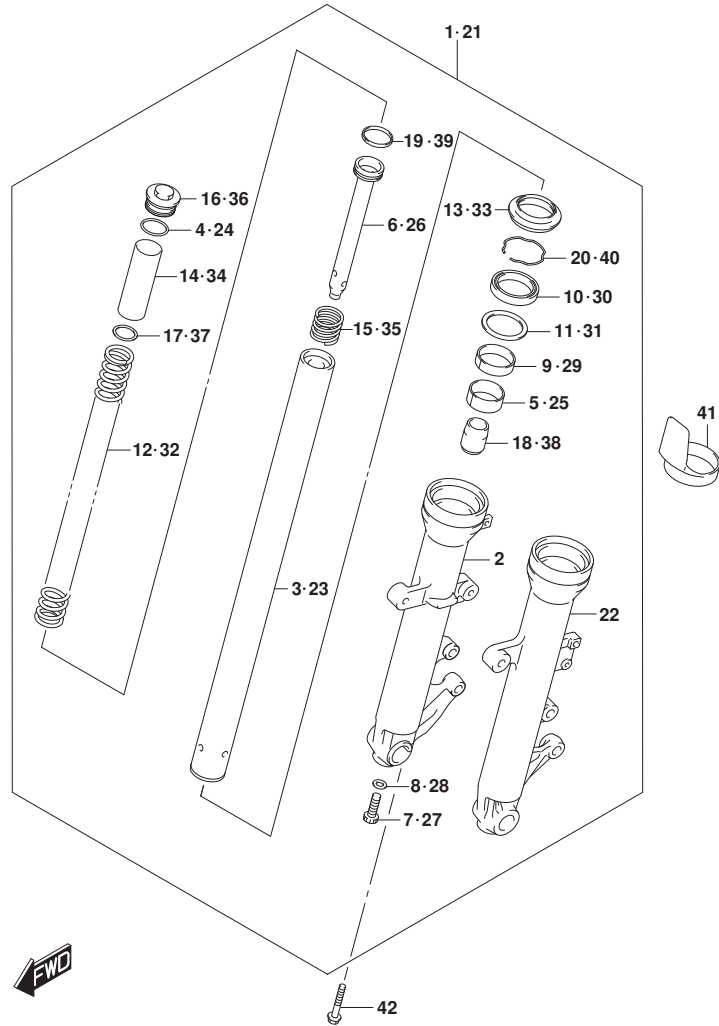


FIG.521A (1-F-12) FRONT FORK DAMPER (SV650A,SV650AU)

REF NO.	PART NO.	DESCRIPTION	Q'TY	REMARKS
36	51189-47D50	.BOLT,FORK	1	
37	51192-19C00	.JOINT,SPRING	1	
38	51195-48B31	.PIECE,OIL LOCK	1	
39	51196-12C00	.RING,PISTON	1	
40	51556-38B00	.RING,STOPPER	1	
41	51201-32F00	PROTECTOR	2	
42	51321-10F00	BOLT,HANDLE HOLDER	1	

FIG.521B

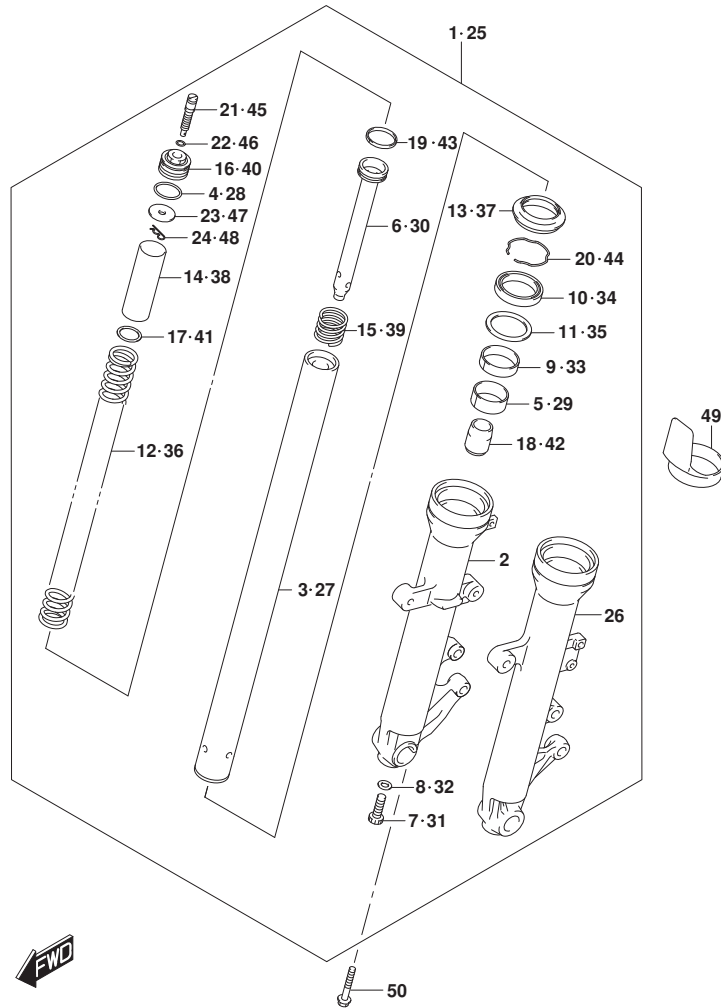


FIG.521B (1-F-13) FRONT FORK DAMPER (SV650XA,SV650XAU)

REF NO.	PART NO.	DESCRIPTION	Q'TY	REMARKS
1	51103-18K10-291	DAMPER ASSY,FR RH (BLACK)	1	
2	51130-18K00-291	.TUBE,OUTER RH (BLACK)	1	
3	51110-18K00	.TUBE,INNER	1	
4	51117-12C00	.O RING	1	
5	51121-44H00	.BUSH, SLIDE	1	
6	51146-17G80	.CYLINDER	1	
7	51147-06F10	.BOLT (8X18)	1	
8	51148-36011	.GASKET (8.2X13X1.5)	1	
9	51152-01H10	.BUSH,GUIDE	1	
10	51153-01H10	.SEAL,OIL	1	
11	51168-38B00	.SPACER,SEAL	1	
12	51171-18K10	.SPRING,FRONT	1	
13	51173-01H00	.SEAL,DUST	1	
14	51176-18K00	.COLLAR,SPRING	1	
15	51177-17G50	.SPRING,REBOUND	1	
16	51189-12C00	.BOLT,FORK	1	
17	51192-19C00	.JOINT,SPRING	1	
18	51195-48B31	.PIECE,OIL LOCK	1	
19	51196-12C00	.RING,PISTON	1	
20	51556-38B00	.RING,STOPPER	1	
21	51185-17G00	ADJUSTER BOLT,SPRING	1	
22	09280-09005	.O-RING (D:1.9,ID:8.6)	1	
23	51186-12C00	.SEAT,SPRING	1	
24	51188-32B00	.PIN,SEAT SPRING	1	
25	51104-18K10-291	DAMPER ASSY,FR LH (BLACK)	1	
26	51140-18K00-291	.TUBE,OUTER LH (BLACK)	1	
27	51110-18K00	.TUBE,INNER	1	
28	51117-12C00	.O RING	1	
29	51121-44H00	.BUSH, SLIDE	1	
30	51146-17G80	.CYLINDER	1	
31	51147-06F10	.BOLT (8X18)	1	
32	51148-36011	.GASKET (8.2X13X1.5)	1	
33	51152-01H10	.BUSH,GUIDE	1	
34	51153-01H10	.SEAL,OIL	1	
35	51168-38B00	.SPACER,SEAL	1	

FIG.521B

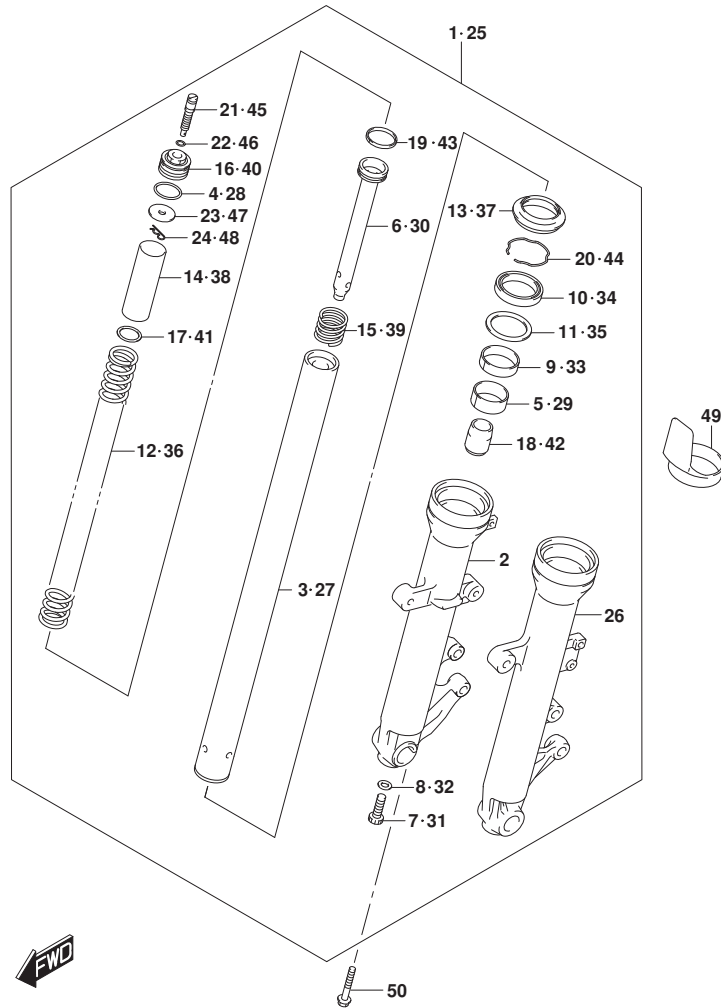


FIG.521B (1-F-14) FRONT FORK DAMPER (SV650XA,SV650XAU)

REF NO.	PART NO.	DESCRIPTION	Q'TY	REMARKS
36	51171-18K10	.SPRING,FRONT	1	
37	51173-01H00	.SEAL,DUST	1	
38	51176-18K00	.COLLAR,SPRING	1	
39	51177-17G50	.SPRING,REBOUND	1	
40	51189-12C00	.BOLT,FORK	1	
41	51192-19C00	.JOINT,SPRING	1	
42	51195-48B31	.PIECE,OIL LOCK	1	
43	51196-12C00	.RING,PISTON	1	
44	51556-38B00	.RING,STOPPER	1	
45	51185-17G00	.ADJUSTER BOLT,SPRING	1	
46	51187-32B00	.O RING,STOPPER	1	
47	51186-12C00	.SEAT,SPRING	1	
48	51188-32B00	.PIN,SEAT SPRING	1	
49	51201-32F00	PROTECTOR	2	
50	51321-10F00	BOLT,HANDLE HOLDER	1	

FIG.524A

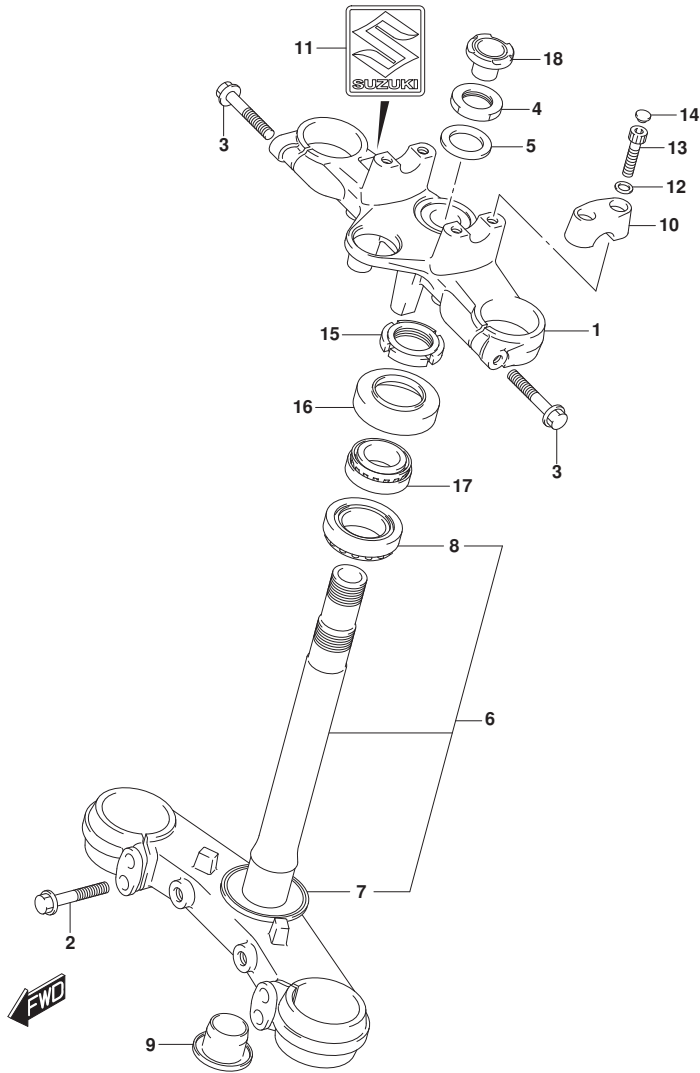


FIG.524A (1-F-15) STEERING STEM (SV650A,SV650AU)

REF NO.	PART NO.	DESCRIPTION	Q'TY	REMARKS
1	51311-44H00-291	HEAD,STEERING STEM (BLACK)	1	
2	51328-44H00	BOLT	2	
3	51328-44H00	BOLT	4	
4	51353-13K00	NUT	1	
5	51356-13K00	WASHER	1	
6	51410-44HD0-291	BRACKET,UNDER (BLACK)	1	
7	51644-12C00	.SEAL,STEERING LOWER (30.1X56X 4)	1	
8	09265-30020	.BEARING (30X55X17)	1	
9	51482-44H00	CAP	1	
10	56211-44H00-291	HOLDER,HANDLE (BLACK)	2	
11	68281-47HA0	EMBLEM "S"	1	
12	09164-08015	WASHER	4	
13	51321-10F10	BOLT,HOLDER,HANDL	4	
14	09250-06016	CAP,MUF SPRT BOLT	4	
15	51631-31F10	NUT,STEERING STEM	1	
16	51643-40503	SEAL,DUST	1	
17	09265-25038	BEARING (25X47X15)	1	
18	51344-23K10	CAP,STEERING STEM	1	

FIG.524B

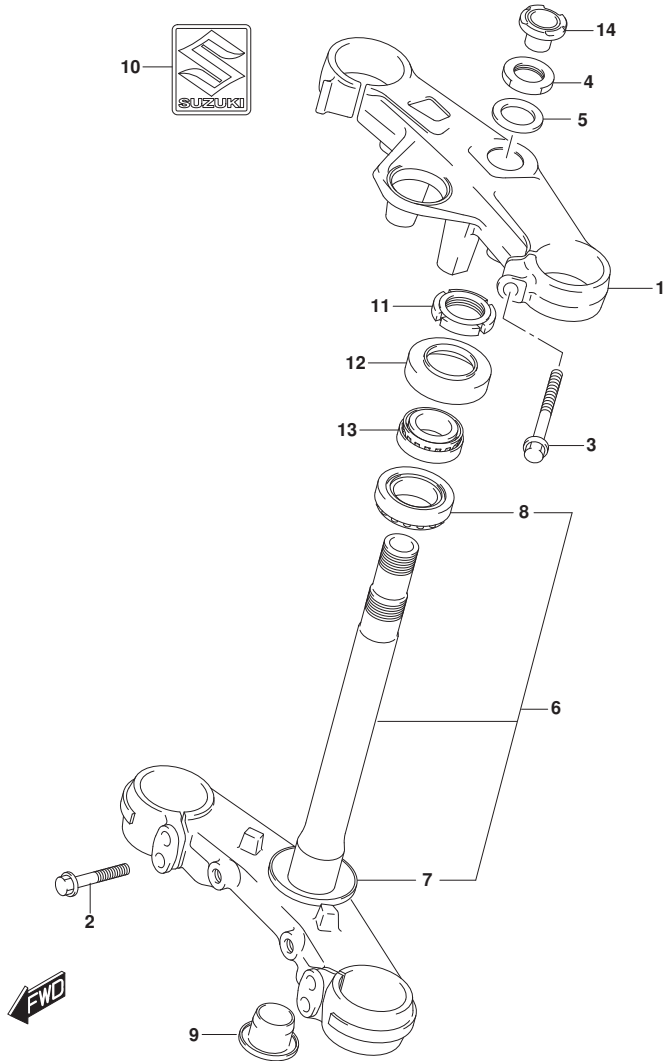


FIG.524B (1-F-16) STEERING STEM (SV650XA,SV650XAU)

REF NO.	PART NO.	DESCRIPTION	Q'TY	REMARKS
1	51311-44HB0	BRACKET,UPPER	1	
2	51328-44H00	BOLT	4	
3	51328-44HB0	BOLT,BRACKET UPPER	2	
4	51353-13K00	NUT	1	
5	51356-13K00	WASHER	1	
6	51410-44HB0-291	BRACKET,UNDER (BLACK)	1	
7	51644-12C00	.SEAL,STEERING LOWER (30.1X56X 4)	1	
8	09265-30020	.BEARING (30X55X17)	1	
9	51482-44H00	CAP	1	
10	68281-47HA0	EMBLEM "S"	1	
11	51631-31F10	NUT,STEERING STEM	1	
12	51643-40503	SEAL,DUST	1	
13	09265-25038	BEARING (25X47X15)	1	
14	51344-23K10	CAP,STEERING STEM	1	

FIG.530A

FIG.530A (1-G-2) FRONT WHEEL (SV650A,SV650AU)

REF NO.	PART NO.	DESCRIPTION	Q'TY	REMARKS
1-1	54111-18K00-QGY	WHEEL,FRONT (17M/CXMT3.50,RED)	1	BODY COLOR:YKV
1-2	54111-18K00-YLY	WHEEL,FRONT (17M/CXMT3.50,BLUE	1	BODY COLOR:YMD
		)		
1-3	54111-18K00-019	WHEEL,FRONT (17M/CXMT3.50,BLAC	1	BODY COLOR:YVB
		K)		
2	54731-44H00	SPACER,FRONT HUB BEARING	1	
3-1	55411-22H00	BALANCER,WHEEL NO.1 (10G)	AR	
3-2	55412-22H00	BALANCER,WHEEL NO.2 (20G)	AR	
3-3	55413-22H00	BALANCER,WHEEL NO.3 (30G)	AR	
4	09285-22004	OIL SEAL (22X40X7)	2	
5	08133-62037	BEARING	2	
6	#43130-24A00	VALVE ASSY,WHEEL RIM (TR412)	1	
7	55110-18K00	TIRE,FRONT (120/70ZR17 M/C 58W	1	
		)		
8	54711-08F00	AXLE,FRONT	1	
9	54751-44H00	SPACER,FRONT AXLE LH	1	
10	59210-38G10	DISC,FRONT BRAKE	2	
11	09106-08160	BOLT (8X21)	10	
12	54162-44H00	RING,SPEED SENSOR FR (50T)	1	
13	07130-0512A	BOLT	3	

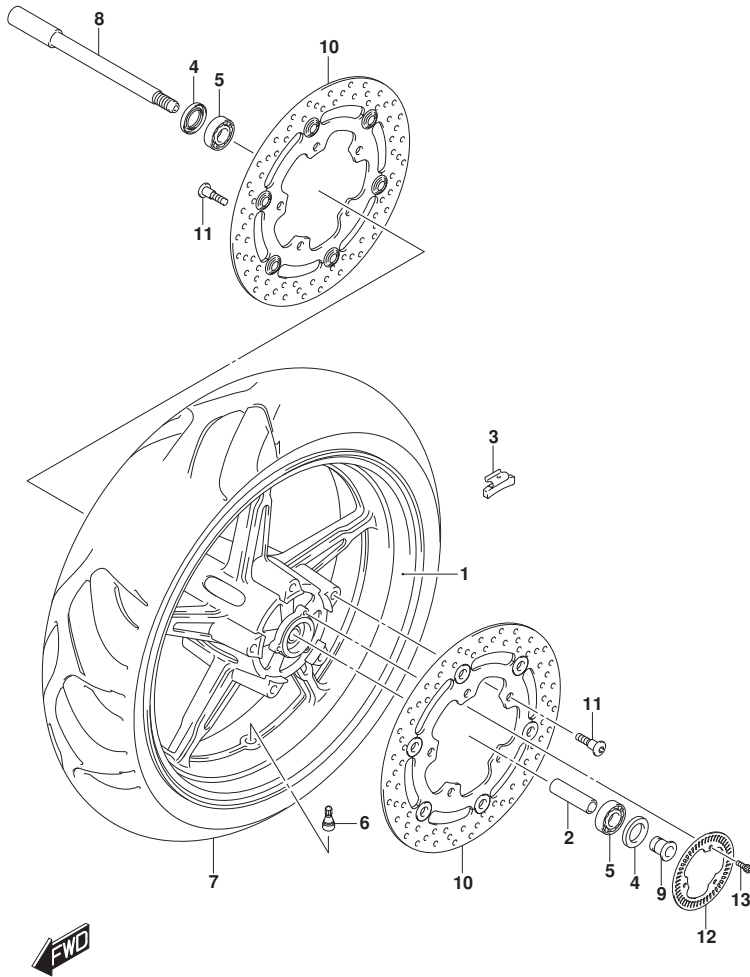


FIG.530B

FIG.530B (1-G-3) FRONT WHEEL (SV650XA,SV650XAU)

REF NO.	PART NO.	DESCRIPTION	Q'TY	REMARKS
1	54111-18K00-019	WHEEL,FRONT (17M/CXMT3.50,BLAC K)	1	BODY COLOR:YVB
2	54731-44H00	SPACER,FRONT HUB BEARING	1	
3-1	55411-22H00	BALANCER,WHEEL NO.1 (10G)	AR	
3-2	55412-22H00	BALANCER,WHEEL NO.2 (20G)	AR	
3-3	55413-22H00	BALANCER,WHEEL NO.3 (30G)	AR	
4	09285-22004	OIL SEAL (22X40X7)	2	
5	08133-62037	BEARING	2	
6	#43130-24A00	VALVE ASSY,WHEEL RIM (TR412)	1	
7	55110-18K00	TIRE,FRONT (120/70ZR17 M/C 58W )	1	
8	54711-08F00	AXLE,FRONT	1	
9	54751-44H00	SPACER,FRONT AXLE LH	1	
10	59210-38G10	DISC,FRONT BRAKE	2	
11	09106-08160	BOLT (8X21)	10	
12	54162-44H00	RING,SPEED SENSOR FR (50T)	1	
13	07130-0512A	BOLT	3	

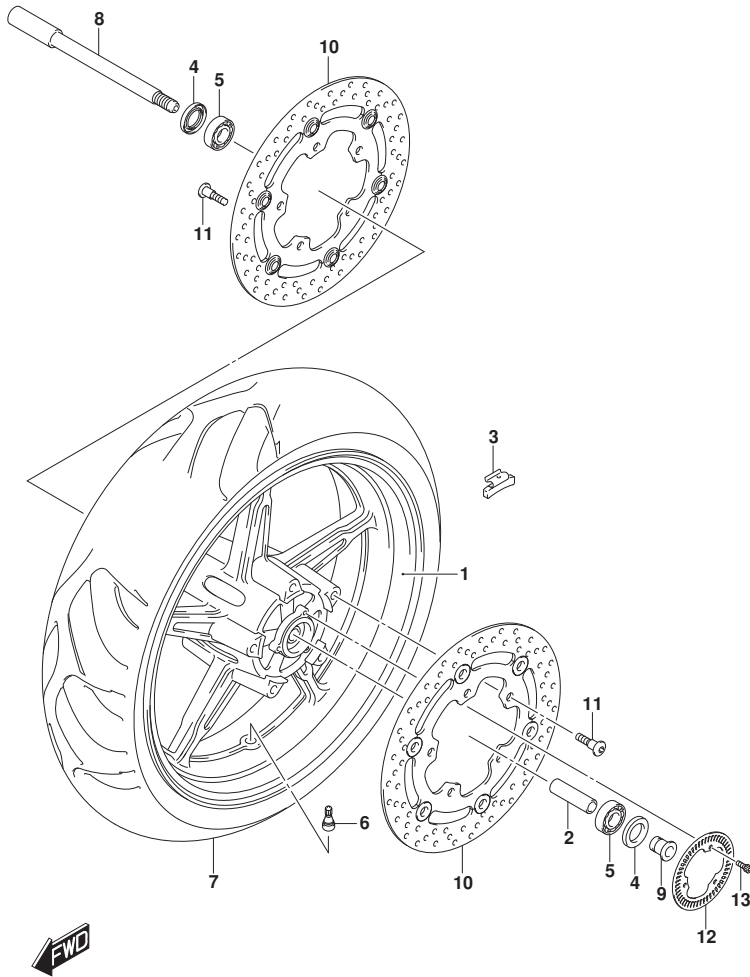


FIG.533A

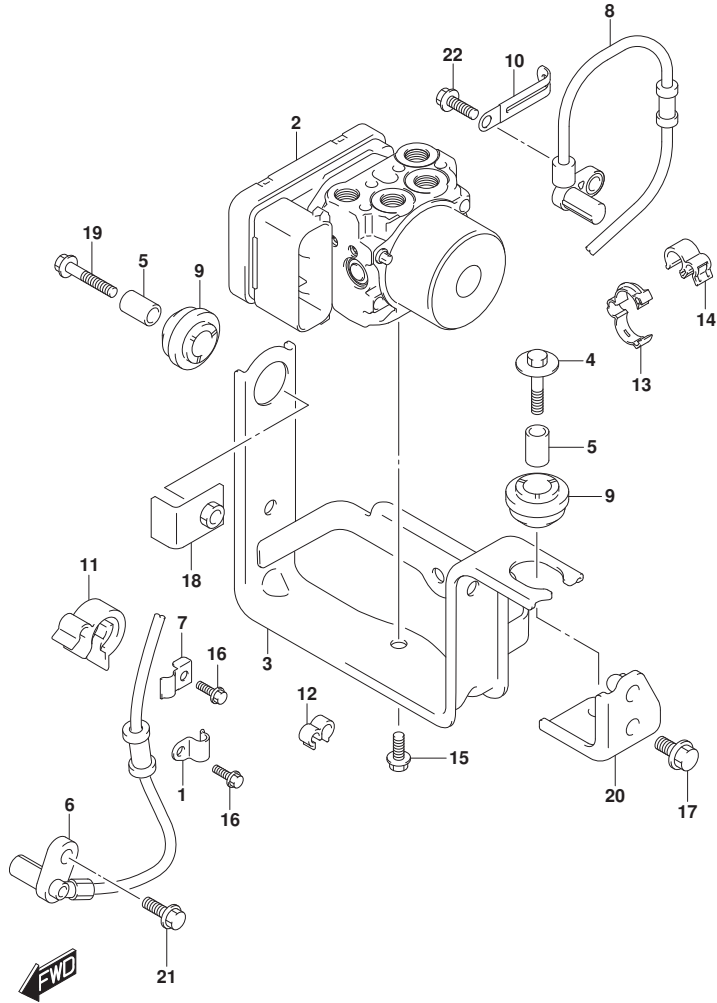


FIG.533A (1-G-4) HYDRAULIC UNIT

REF NO.	PART NO.	DESCRIPTION	Q'TY	REMARKS
1	55731-15H00	CLAMP, SENSOR LEAD FRONT NO.1	1	
2	55610-18K10	UNIT ASSY, HYDRAULIC ABS	1	
3	55660-18K10	HOLDER, HYDR UNIT ABS	1	
4	09116-06510	BOLT, HYDR UNIT MTG	1	
5	55662-10G00	SPACER, HYDR UNIT MTG (#05)	2	
6	55710-18K20	SENSOR, FR WHEEL SPEED	1	
7	55733-44H00	CLAMP, SENSOR LEAD FR NO.3	1	
8	65710-18K10	SENSOR, RR WHEEL SPEED	1	
9	09320-10066	RUBBER	2	
10	09404-06429	CLAMP (L:45)	1	
11	09408-00307	CLAMP	2	
12	09408-00101	CLIP	2	
13	09408-00259	CLAMP	1	
14	09408-00266	CLAMP	5	
15	01550-0612A	BOLT	2	
16	09103-06525	BOLT (6X12)	2	
17	01550-0612B	BOLT (L:12)	2	
18	55680-18K00	NUT, RUBBER UNIT MTG	1	
19	09103-06529	BOLT, CLUTCH COVER (6X30)	1	
20	55670-18K00	BRACKET, ABS UNIT HOLDER	1	
21	09103-06526	BOLT, CONNECTOR (6X16)	1	
22	09103-06526	BOLT, CONNECTOR (6X16)	1	



FIG.535A

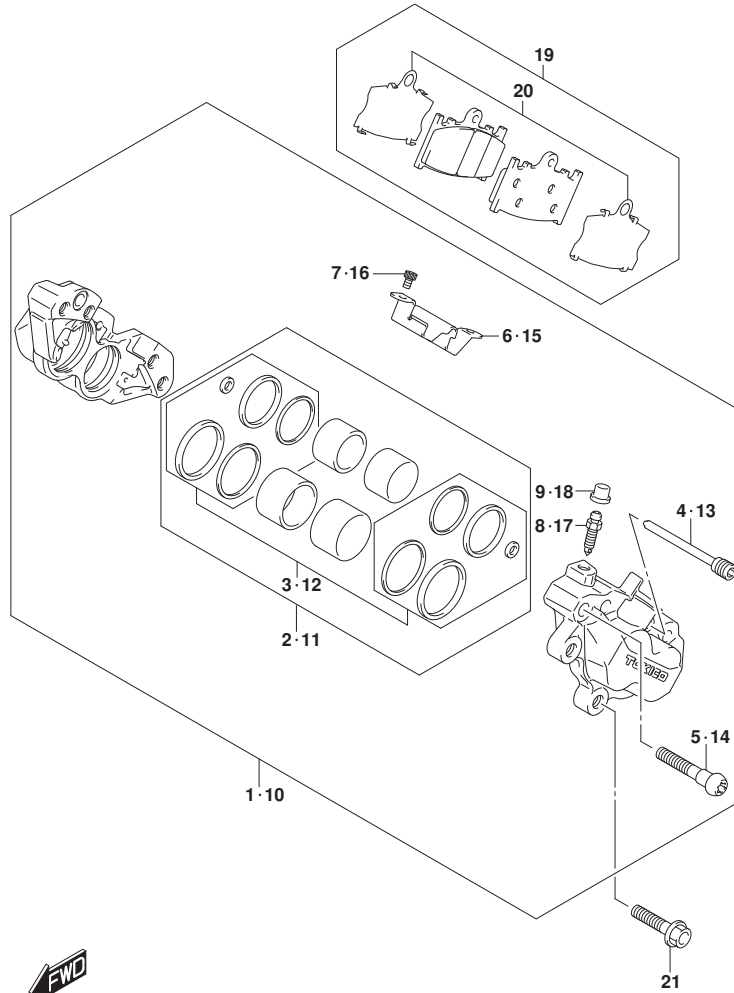


FIG.535A (1-G-5) FRONT CALIPER

REF NO.	PART NO.	DESCRIPTION	Q'TY	REMARKS
1	59100-35F60-999	CALIPER ASSY,FRONT RH	1	
2	59300-34811	.PISTON SET	1	
3	59300-34821	..SEAL SET,PISTON	1	
4	59141-40F00	.PIN,PAD	1	
5	59145-18G00	.BOLT	4	
6	59152-35F00	.COVER,CALIPER DUST	1	
7	59153-22D00	.SCREW	2	
8	59121-18410	.BLEEDER	1	
9	55156-66310	.CAP,BLEEDER PLUG (M10X1)	1	
10	59300-35F60-999	CALIPER ASSY,FRONT LH	1	
11	59300-34811	.PISTON SET	1	
12	59300-34821	..SEAL SET,PISTON	1	
13	59141-40F00	.PIN,PAD	1	
14	59145-18G00	.BOLT	4	
15	59151-35F00	.COVER,CALIPER DUST	1	
16	59153-22D00	.SCREW	2	
17	59121-18410	.BLEEDER	1	
18	55156-66310	.CAP,BLEEDER PLUG (M10X1)	1	
19	59100-35800	PAD SHIM SET	2	
20	59171-35F80	.SHIM PAD	4	
21	09103-08359	BOLT (8X28)	4	

FIG.536A

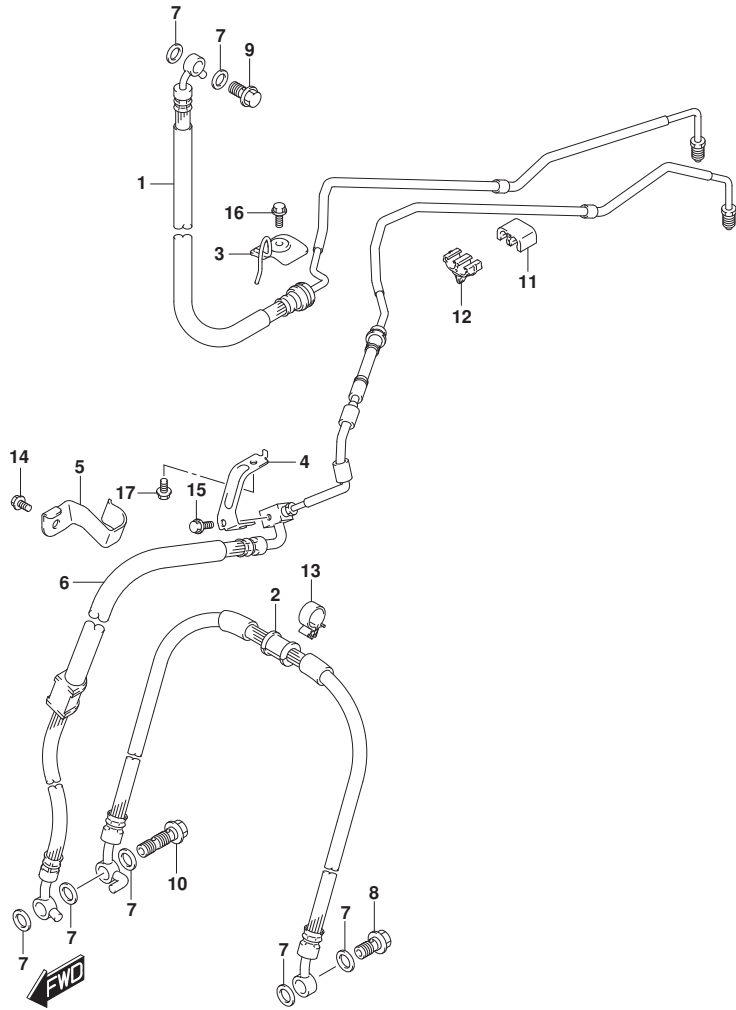


FIG.536A (1-G-6) FRONT BRAKE HOSE (SV650XA,SV650XAU)

REF NO.	PART NO.	DESCRIPTION	Q'TY	REMARKS
1	59200-18K71	HOSE ASSY,FR BK MASTER TO UNIT	1	
2	59240-18K21	HOSE,FR BK CLPR TO CLPR	1	
3	59251-18K00	CLAMP,FR BK HOSE ASSY NO.1	1	
4	59261-18K00	CLAMP,FR BK HOSE ASSY NO.2	1	
5	59263-44H10	CLAMP,FR BRAKE HOSE NO.2	1	
6	59400-18K21	HOSE ASSY,UNIT TO FR BK CLPR	1	
7	09161-10009	WASHER (10X15X1.5)	7	
8	09360-10062	UNION (10X1.25X22)	1	
9	09360-10042	UNION (10X1.25X22)	1	
10	09360-10064	UNION (10X1.25X36)	1	
11	09403-06324	CLAMP	2	
12	09403-07344	CLAMP,BRAKE PIPE	2	
13	09403-16412	CLAMP	1	
14	09103-06525	BOLT (6X12)	1	
15	09103-06526	BOLT,CONNECTOR (6X16)	1	
16	09103-06526	BOLT,CONNECTOR (6X16)	1	
17	01550-0612A	BOLT	1	

FIG.536B

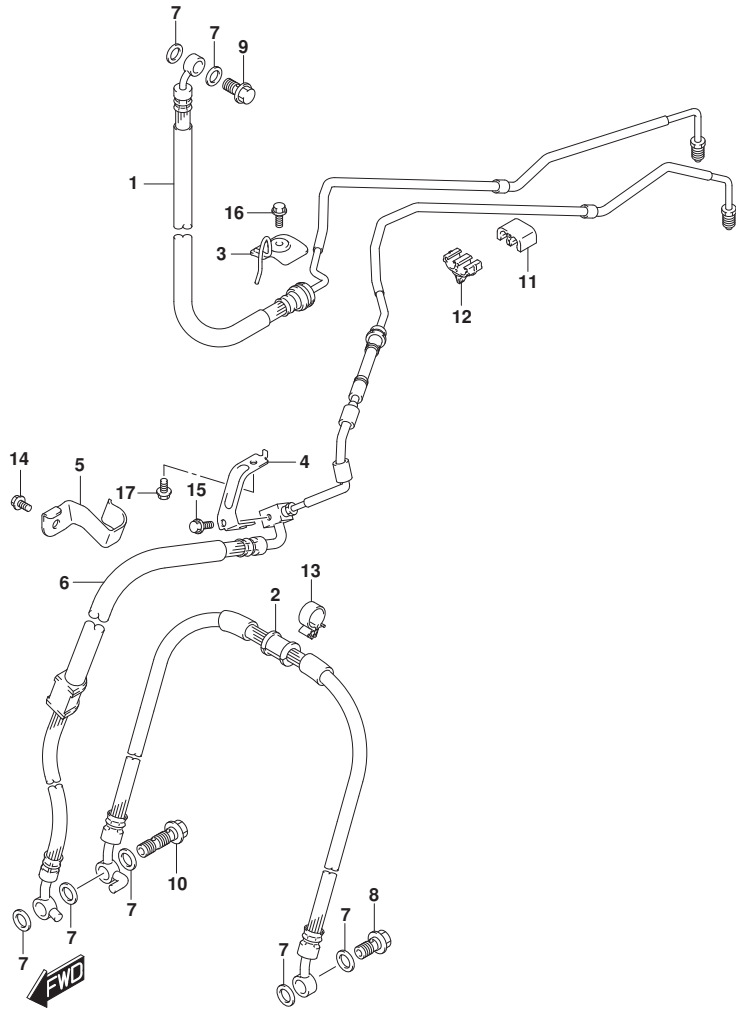


FIG.536B (1-G-7) FRONT BRAKE HOSE (SV650A,SV650AU)

REF NO.	PART NO.	DESCRIPTION	Q'TY	REMARKS
1	59200-18K61	HOSE ASSY,FR BK MASTER TO UNIT	1	
2	59240-18K21	HOSE,FR BK CLPR TO CLPR	1	
3	59251-18K00	CLAMP,FR BK HOSE ASSY NO.1	1	
4	59261-18K00	CLAMP,FR BK HOSE ASSY NO.2	1	
5	59263-44H10	CLAMP,FR BRAKE HOSE NO.2	1	
6	59400-18K21	HOSE ASSY,UNIT TO FR BK CLPR	1	
7	09161-10009	WASHER (10X15X1.5)	7	
8	09360-10062	UNION (10X1.25X22)	1	
9	09360-10042	UNION (10X1.25X22)	1	
10	09360-10064	UNION (10X1.25X36)	1	
11	09403-06324	CLAMP	2	
12	09403-07344	CLAMP,BRAKE PIPE	2	
13	09403-16412	CLAMP	1	
14	09103-06525	BOLT (6X12)	1	
15	09103-06526	BOLT,CONNECTOR (6X16)	1	
16	09103-06526	BOLT,CONNECTOR (6X16)	1	
17	01550-0612A	BOLT	1	

FIG.537A

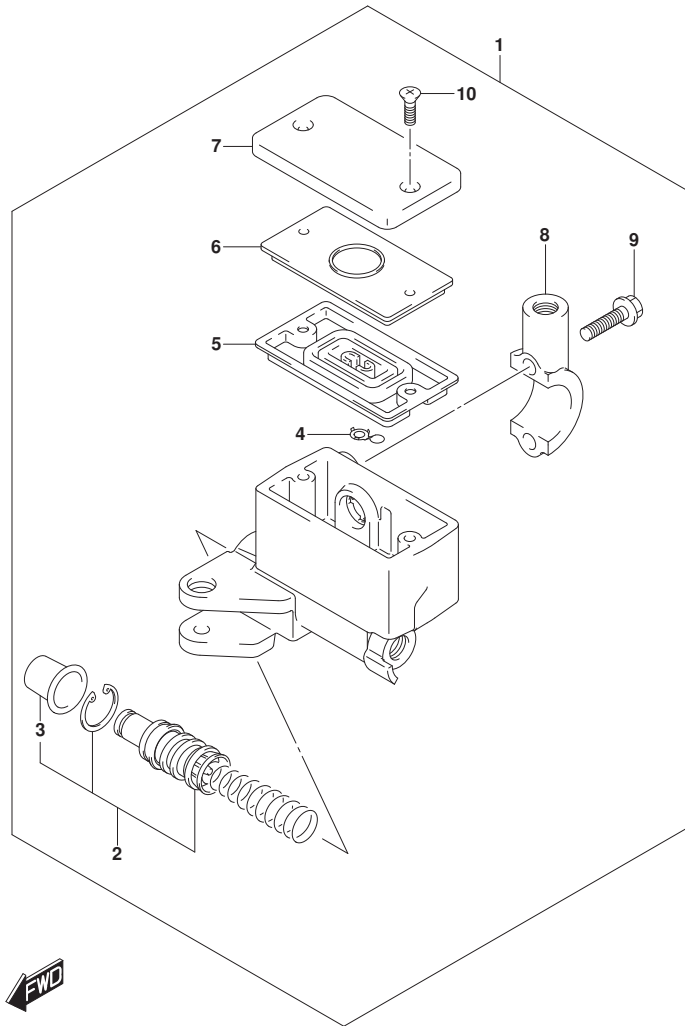


FIG.537A (1-G-8) FRONT MASTER CYLINDER (SV650A,SV650AU)

REF NO.	PART NO.	DESCRIPTION	Q'TY	REMARKS
1	59600-10G50	CYLINDER ASSY,FRONT MASTER	1	
2	59600-45870	.PISTON & CUP SET	1	
3	59666-44300	..BOOT	1	
4	59664-32F00	.PROTECTOR	1	
5	59667-49460	.DIAPHRAGM	1	
6	59668-41C00	.PLATE,DIAPHRAGM	1	
7	59669-10G20	.CAP	1	
8	59671-32F00	.HOLDER	1	
9	59675-02FA0	.BOLT (6X22)	2	
10	69689-49300	.SCREW,RESERVOIR CAP	2	

FIG.537B

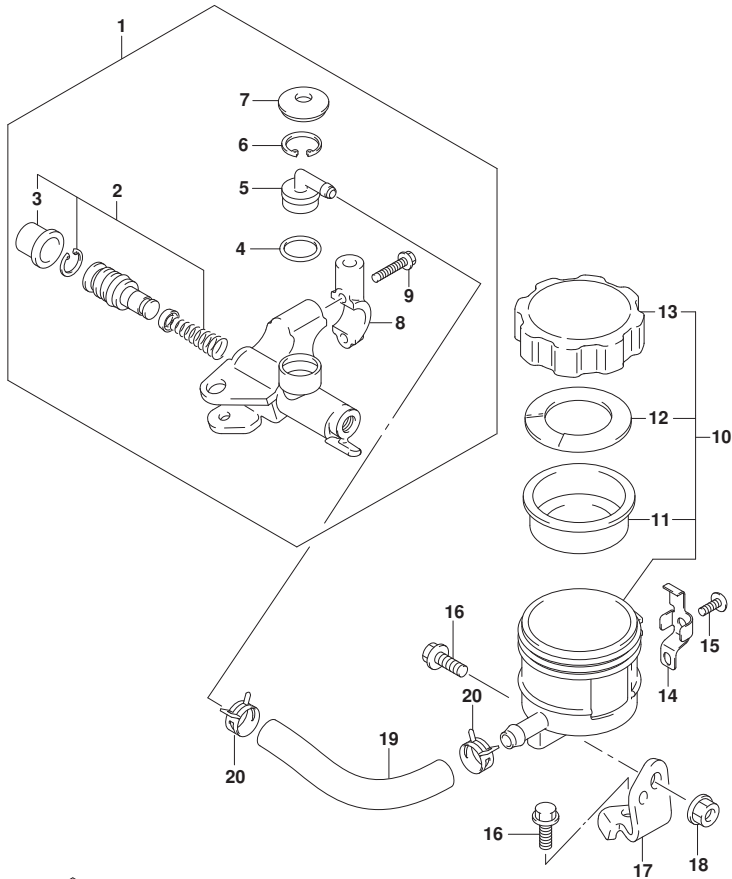


FIG.537B (1-G-9) FRONT MASTER CYLINDER (SV650XA,SV650XAU)

REF NO.	PART NO.	DESCRIPTION	Q'TY	REMARKS
1	59600-18G10	CYLINDER ASSY,FRONT MASTER	1	
2	59600-45870	.PISTON & CUP SET	1	
3	59666-44300	..BOOT	1	
4	69686-34200	.O-RING	1	
5	69672-00B20	.CONNECTOR	1	
6	69674-00B20	.CIRCLIP	1	
7	59673-17C00	.COVER,DUST	1	
8	59671-32F00	.HOLDER	1	
9	59675-02FA0	.BOLT (6X22)	1	
10	59740-47H10	TANK ASSY,FR RESERVOIR	1	
11	59667-18441	.DIAPHRAGM	1	
12	59668-18441	.PLATE	1	
13	59669-47H00	.CAP	1	
14	59743-17C00	PLATE,RESERVOIR TANK CAP	1	
15	02142-0410A	SCREW	1	
16	09103-06526	BOLT,CONNECTOR (6X16)	2	
17	59751-18K00	BRACKET,FR RESERVOIR TANK	1	
18	08316-1006A	NUT	1	
19	59731-01H00	HOSE,FRONT RESERVOIR TANK	1	
20	59735-17C00	CLAMP,RESERVOIR TANK,FRONT	2	

FIG.541A

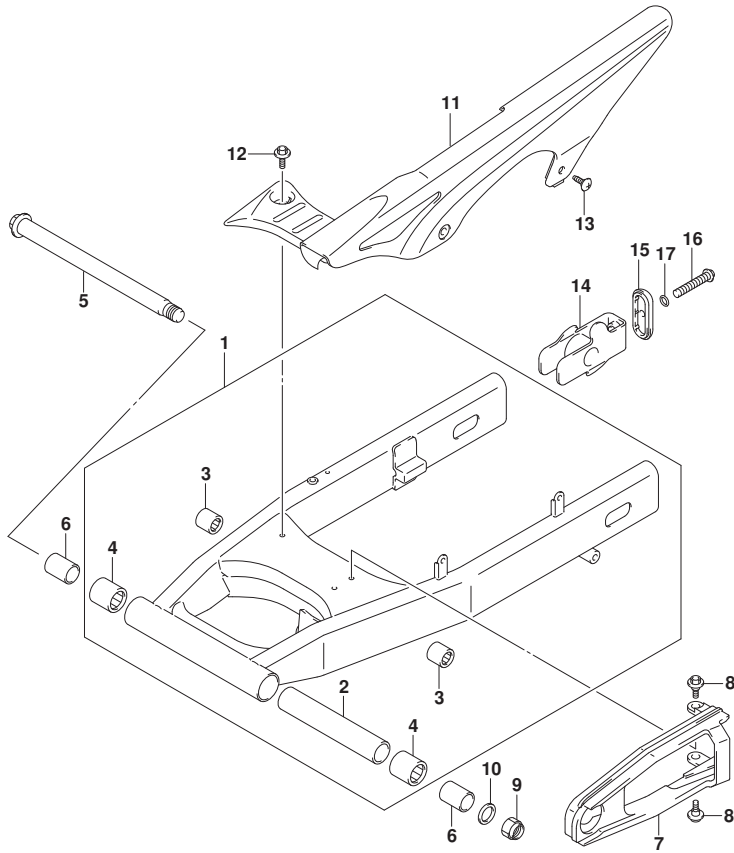


FIG.541A (1-G-10) REAR SWINGARM

REF NO.	PART NO.	DESCRIPTION	Q'TY	REMARKS
1	61000-44H10-YAP	SWINGINGARM ASSY,REAR (BLACK)	1	
2	61282-17C00	.SPACER,RR SWGARM PIVOT,CENTER	1	
3	09263-17053	.BEARING (17X24X25)	2	
4	09263-25059	.BEARING (25X33X35)	2	
5	61211-31E00	SHAFT,REAR SWINGINGARM PIVOT	1	
6	61251-21E00	SPACER,RR SWGARM PIVOT	2	
7	61273-44H00	BUFFER,CHAIN TOUCH DEFENSE	1	
8	09111-06072	BOLT (6X17.8)	2	
9	09159-18007	NUT	1	
10	09160-18030	WASHER (18.5X28X2.6)	1	
11	61310-44H00	CASE,CHAIN	1	
12	09111-06107	BOLT (6X12)	2	
13	09139-06165	SCREW (6X16)	2	
14	61410-44H00	ADJUSTER,CHAIN	2	
15	61421-44H00-13L	PLATE,CHAIN ADJUSTER GUIDE (SI LVER)	2	
16	09106-08119	BOLT (8X50)	2	
17	09164-08015	WASHER	2	

FIG.543A

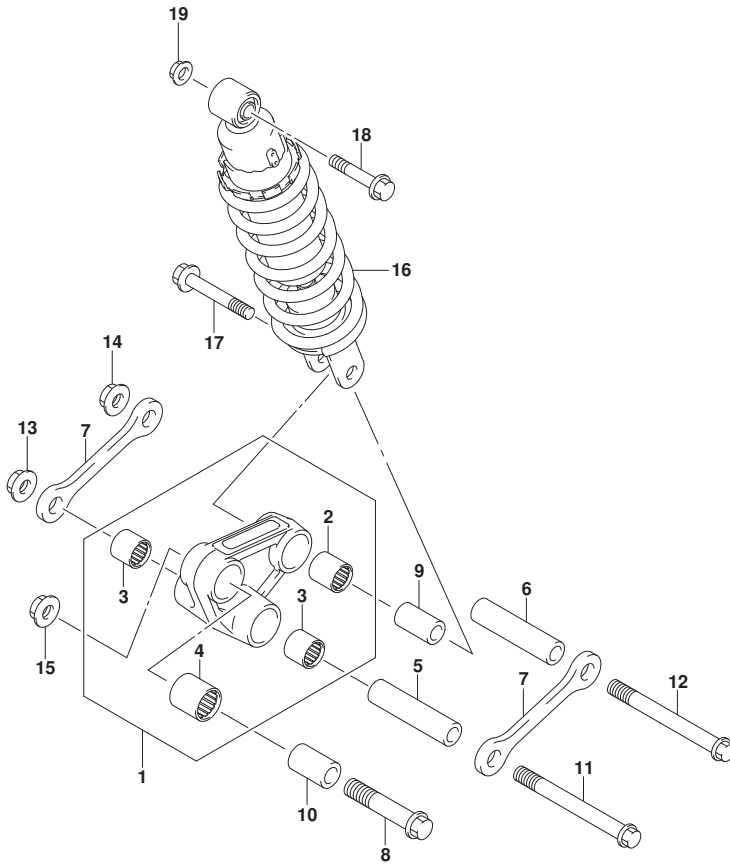


FIG.543A (1-G-11) REAR CUSHION LEVER (SV650A,SV650AU)

REF NO.	PART NO.	DESCRIPTION	Q'TY	REMARKS
1	62600-44881	LEVER SET,RR CUSHION	1	
2	09263-17034	.BEARING (17X24X26)	1	
3	09263-17053	.BEARING (17X24X25)	2	
4	09263-20073	.BEARING (20X27X30)	1	
5	62626-17G00	SPACER,RR CUSHION LEVER CTR (1 2X17X68)	1	
6	62626-17G00	SPACER,RR CUSHION LEVER CTR (1 2X17X68)	1	
7	62641-44H00	ROD,RR CUSHION LEVER	2	
8	62668-42A02	BOLT,CUSHION LEVER,FRONT (12X6 2)	1	
9	62684-40A10	SPACER,RR CUSHION LEVER (10X17 X30)	1	
10	62684-12C00	SPACER,RR CUSHION LVR,FR (12X2 0X32)	1	
11	09103-12034	BOLT (L:96)	1	
12	09103-12034	BOLT (L:96)	1	
13	09159-12056	NUT	1	
14	09159-12056	NUT	1	
15	09159-12056	NUT	1	
16	62100-44HA0-019	ABSORBER ASSY,REAR SHOCK (BLAC K)	1	
17	09103-10126	BOLT (10X48)	1	
18	09103-10213	BOLT (10X52)	1	
19	09159-10115	NUT (M10)	1	

FIG.543C

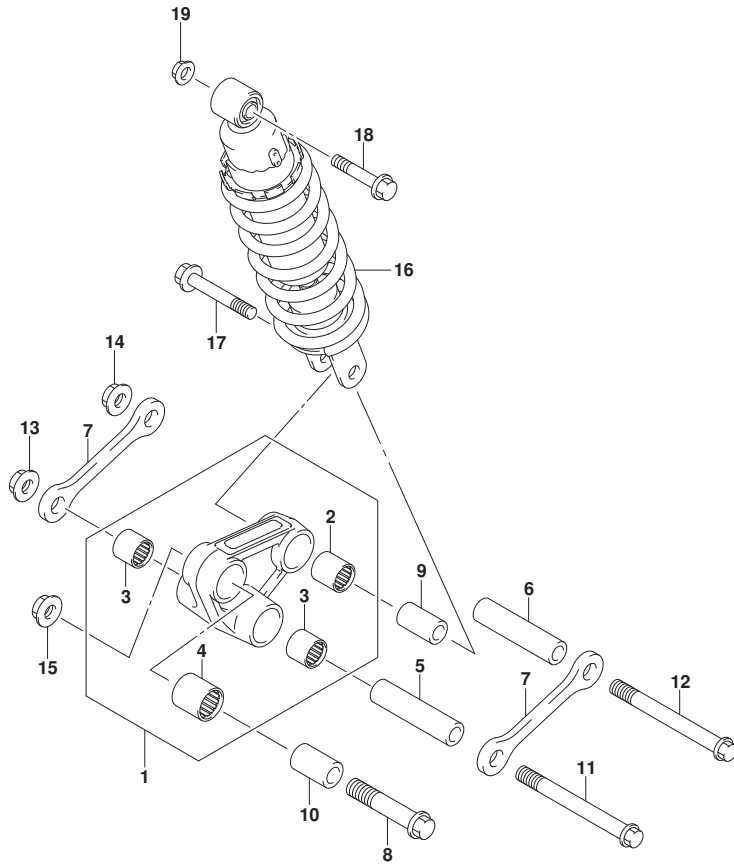


FIG.543C (1-G-12) REAR CUSHION LEVER (SV650XA,SV650XAU)

REF NO.	PART NO.	DESCRIPTION	Q'TY	REMARKS
1	62600-44881	LEVER SET,RR CUSHION	1	
2	09263-17034	.BEARING (17X24X26)	1	
3	09263-17053	.BEARING (17X24X25)	2	
4	09263-20073	.BEARING (20X27X30)	1	
5	62626-17G00	SPACER,RR CUSHION LEVER CTR (1 2X17X68)	1	
6	62626-17G00	SPACER,RR CUSHION LEVER CTR (1 2X17X68)	1	
7	62641-44H00	ROD,RR CUSHION LEVER	2	
8	62668-42A02	BOLT,CUSHION LEVER,FRONT (12X6 2)	1	
9	62684-40A10	SPACER,RR CUSHION LEVER (10X17 X30)	1	
10	62684-12C00	SPACER,RR CUSHION LVR,FR (12X2 0X32)	1	
11	09103-12034	BOLT (L:96)	1	
12	09103-12034	BOLT (L:96)	1	
13	09159-12056	NUT	1	
14	09159-12056	NUT	1	
15	09159-12056	NUT	1	
16	62100-44HC0-019	ABSORBER ASSY,RR SHOCK (BLACK)	1	
17	09103-10126	BOLT (10X48)	1	
18	09103-10213	BOLT (10X52)	1	
19	09159-10115	NUT (M10)	1	





FIG.550A

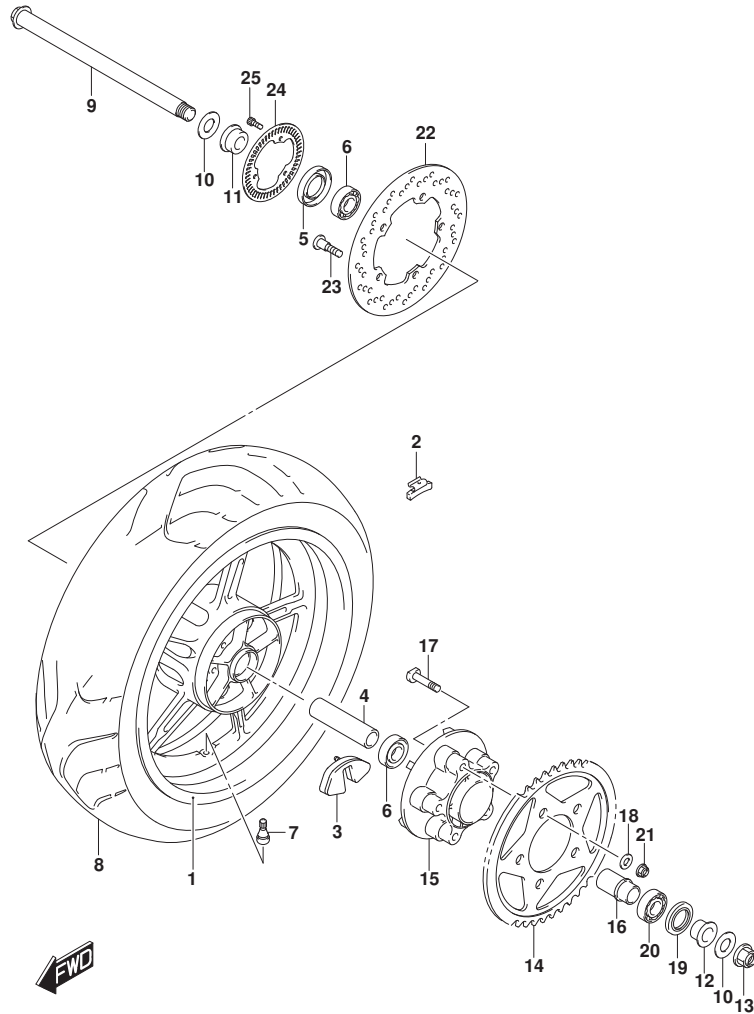


FIG.550A (1-G-13) REAR WHEEL (SV650A,SV650AU)

REF NO.	PART NO.	DESCRIPTION	QTY	REMARKS
1-1	64111-44H11-QGY	WHEEL,REAR (17M/CXMT5.0,RED)	1	BODY COLOR:YKV
1-2	64111-44H11-YLY	WHEEL,REAR (17M/CXMT5.0,BLUE)	1	BODY COLOR:YMD
1-3	64111-44H11-019	WHEEL,REAR (17M/CXMT5.0,BLACK)	1	BODY COLOR:YVB
2-1	55411-22H00	BALANCER,WHEEL NO.1 (10G)	AR	
2-2	55412-22H00	BALANCER,WHEEL NO.2 (20G)	AR	
2-3	55413-22H00	BALANCER,WHEEL NO.3 (30G)	AR	
3	64651-27A01	ABSORBER,SHOCK REAR HUB	5	
4	09180-20062	SPACER (20.5X28X88)	1	
5	09285-28001	OIL SEAL (28X47X7)	1	
6	08123-62047	BEARING (20X47X14)	2	
7	#43130-24A00	VALVE ASSY,WHEEL RIM (TR412)	1	
8	65110-18K00	TIRE,REAR (160/60ZR17 M/C 69W)	1	
9	64711-17E40	AXLE,REAR	1	
10	64723-44H00	WASHER,REAR AXLE	2	
11	64741-22D00	SPACER,REAR AXLE RH	1	
12	64751-44H00	SPACER,REAR AXLE LH	1	
13	09159-20013	NUT	1	
14	64511-44H20	SPROCKET,RR (46T-520)	1	
15	64611-19F10	DRUM,REAR SPROCKET MTG	1	
16	64733-27A00	RETAINER,REAR HUB BEARING	1	
17	09119-10043	BOLT (10X47)	5	
18	09160-10039	WASHER (10.5X22X2.3)	5	
19	09285-35001	OIL SEAL (35X62X8)	1	
20	09262-25073	BEARING (25X62X17)	1	
21	08319-3110A	NUT	5	
22	69211-38G00	DISC,REAR BRAKE	1	
23	09106-08160	BOLT (8X21)	5	
24	54162-44H00	RING,SPEED SENSOR FR (50T)	1	
25	07130-0512A	BOLT	3	

FIG.550C

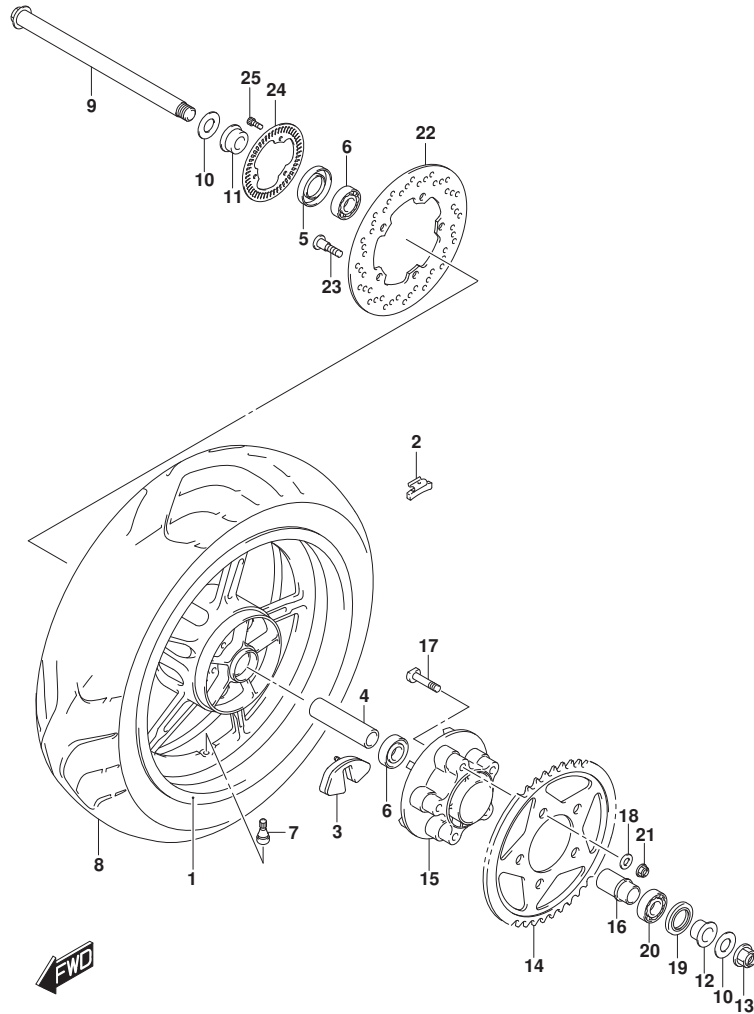


FIG.550C (1-G-14) REAR WHEEL (SV650XA,SV650XAU)

REF NO.	PART NO.	DESCRIPTION	Q'TY	REMARKS
1	64111-44H11-019	WHEEL,REAR (17M/CXMT5.0,BLACK)	1	BODY COLOR:YVB
2-1	55411-22H00	BALANCER,WHEEL NO.1 (10G)	AR	
2-2	55412-22H00	BALANCER,WHEEL NO.2 (20G)	AR	
2-3	55413-22H00	BALANCER,WHEEL NO.3 (30G)	AR	
3	64651-27A01	ABSORBER,SHOCK REAR HUB	5	
4	09180-20062	SPACER (20.5X28X88)	1	
5	09285-28001	OIL SEAL (28X47X7)	1	
6	08123-62047	BEARING (20X47X14)	2	
7	#43130-24A00	VALVE ASSY,WHEEL RIM (TR412)	1	
8	65110-18K00	TIRE,REAR (160/60ZR17 M/C 69W)	1	
9	64711-17E40	AXLE,REAR	1	
10	64723-44H00	WASHER,REAR AXLE	2	
11	64741-22D00	SPACER,REAR AXLE RH	1	
12	64751-44H00	SPACER,REAR AXLE LH	1	
13	09159-20013	NUT	1	
14	64511-44H20	SPROCKET,RR (46T-520)	1	
15	64611-19F10	DRUM,REAR SPROCKET MTG	1	
16	64733-27A00	RETAINER,REAR HUB BEARING	1	
17	09119-10043	BOLT (10X47)	5	
18	09160-10039	WASHER (10.5X22X2.3)	5	
19	09285-35001	OIL SEAL (35X62X8)	1	
20	09262-25073	BEARING (25X62X17)	1	
21	08319-3110A	NUT	5	
22	69211-38G00	DISC,REAR BRAKE	1	
23	09106-08160	BOLT (8X21)	5	
24	54162-44H00	RING,SPEED SENSOR FR (50T)	1	
25	07130-0512A	BOLT	3	

FIG.555A

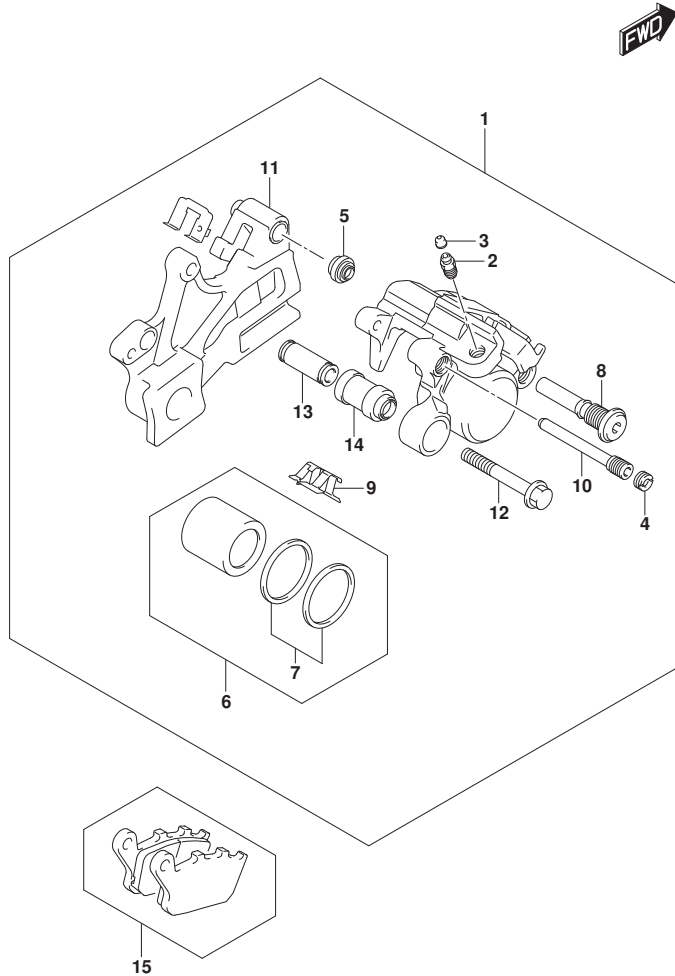


FIG.555A (1-G-15) REAR CALIPER

REF NO.	PART NO.	DESCRIPTION	Q'TY	REMARKS
1	69100-18K00-999	CALIPER ASSY,REAR	1	
2	59121-01A00	.BLEEDER	1	
3	59122-46H00	.CAP,BLEEDER	1	
4	59146-21E10	.PLUG,PIN	1	
5	59303-14500	.BOOT	1	
6	69101-44860	.PISTON SET	1	
7	69100-04820	..SEAL SET,PISTON	1	
8	59305-36E00	.PIN,BOLT	1	
9	69115-06G00	.SPRING,PAD	1	
10	69141-40F00	.PIN,PAD	1	
11	69150-18K00	.BRACKET	1	
12	69182-04F00	.BOLT	1	
13	69185-04F00	.SLEEVE	1	
14	69186-04F00	.BOOT,SLEEVE	1	
15	69101-44850	PAD SET	1	

FIG.558B

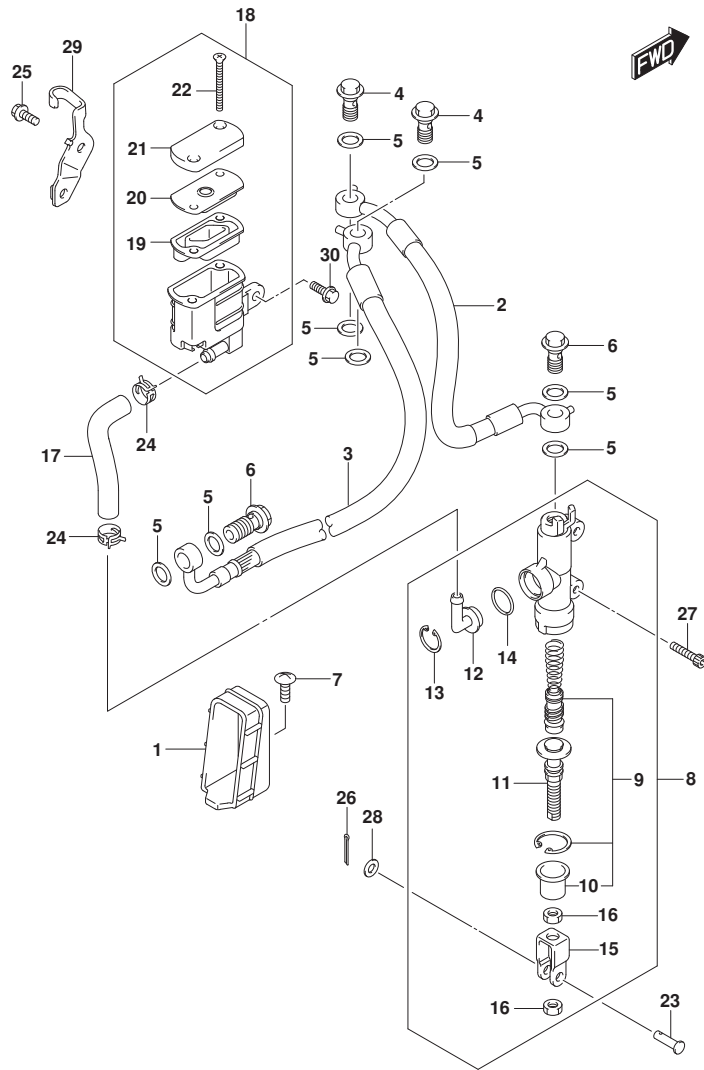


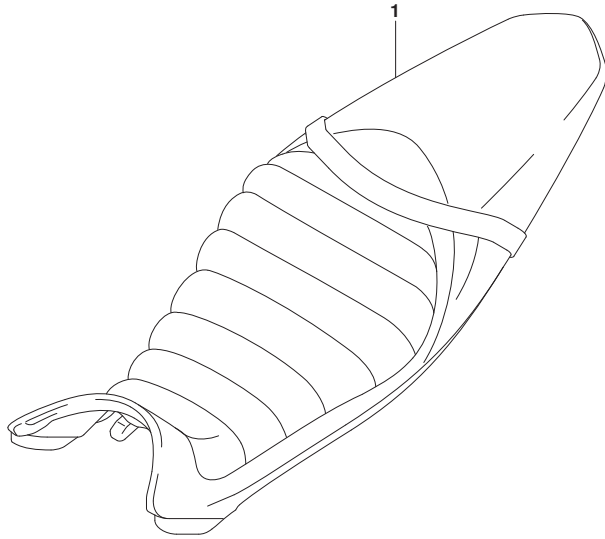
FIG.558B (1-G-16) REAR MASTER CYLINDER

REF NO.	PART NO.	DESCRIPTION	Q'TY	REMARKS
1	69243-44H00	GUIDE,REAR BRAKE HOSE	1	
2	69480-18K11	HOSE,RR BK MASTER TO UNIT	1	
3	69450-18K01	HOSE,RR UNIT TO BK CLPR	1	
4	09360-10042	UNION (10X1.25X22)	2	
5	09161-10009	WASHER (10X15X1.5)	8	
6	09360-10062	UNION (10X1.25X22)	2	
7	02142-0616A	SCREW	1	
8	69600-44H00	CYLINDER ASSY,REAR MASTER	1	
9	69600-34820	.PISTON/CUP SET	1	
10	69691-00A00	.BOOT	1	
11	69670-48B00	.ROD,PUSH	1	
12	69672-00B20	.CONNECTOR	1	
13	69674-00B20	.CIRCLIP	1	
14	69686-34200	.O-RING	1	
15	69692-44H00	.YOKE	1	
16	69693-05A00	.NUT	2	
17	69731-18K00	HOSE,REAR RESERVOIR TANK	1	
18	69740-18K00	TANK ASSY,RESERVOIR	1	
19	69667-01H00	.DIAPHRAGM	1	
20	69668-01H00	.PLATE,DIAPHRAGM	1	
21	69669-18K00	.CAP	1	
22	69689-01H00	.SCREW	2	
23	09200-06068	PIN (6X18.2)	1	
24	09401-12404	CLIP (ID:12)	2	
25	09103-06525	BOLT (6X12)	1	
26	04111-2015A	PIN	1	
27	07130-0625A	BOLT	2	
28	08322-0106A	WASHER	1	
29	69750-18K10	BRACKET,RR RESERVOIR TANK	1	
30	09103-06526	BOLT,CONNECTOR (6X16)	1	

FIG.970A

**FIG.970A (1-H-2) OPTIONAL**

REF NO.	PART NO.	DESCRIPTION	Q'TY	REMARKS
1	45100-18K51	SEET,ASSY	1	



PART NO.	FIG.NO.-REF.NO.	PART NO.	FIG.NO.-REF.NO.	PART NO.	FIG.NO.-REF.NO.	
10000		12163-24F10	120A-4	12892-05C00-210	126A-13-19	
		12164-46E10-0A0	120A-6-1	12892-05C00-215	126A-13-20	
		12164-46E10-0B0	120A-6-2	12892-05C00-220	126A-13-21	
		12164-46E10-0C0	120A-6-3	12911-18H00	126A-5	
		12164-46E10-0D0	120A-6-4	12912-20F00	126A-6	
	11101-18K00	104A-1	12220-44H20	120A-1	12921-44H00	126A-7
	11103-18K00	105A-1	12229-44H10-0A0	120A-2-1	12931-17E01	126A-8
	11115-18D72	104A-4	12229-44H10-0B0	120A-2-2	12932-32C00	126A-11
		105A-4	12229-44H10-0C0	120A-2-3	12933-17E00	126A-9
	11117-44H00	104A-7	12600-06821	122A-3	13101-17G10	104A-13
	105A-7	12611-27G00	122A-1	13102-17G10	105A-13	
11141-20F00	101A-2	12710-44H00	126A-1	13150-28H10	189A-1	
	104A-5	12720-44H00	126A-2	13268-48700	140B-3	
	105A-5	12730-44H00	126A-3	13269-33E00	140B-2	
11171-18K00	104A-17	12731-19F00	120A-11	13295-29900	140B-5	
11172-18K00	105A-17	12740-44H00	126A-4	13405-18K10	140B-1	
11173-19F01	101A-3	12760-19F01	127A-1	13575-29G00	140B-7	
	104A-18	12771-44H01	127A-2	13580-27G21	140B-6	
	105A-18	12782-19F01	127A-3	13601-11J00	140B-16	
11182-35F10	104A-27	12800-05830	126A-14	13602-29G00	140B-17	
	105A-25	12811-17G01	127A-5	13605-02F00	140B-8	
11191-27E00	101A-10	12812-35C00	127A-6	13606-47A00	140B-4	
	104A-21	12830-27G00	127A-8	13650-41F10	155B-22	
	105A-21	12830-27G10	127A-11	13650-49X00	187A-25	
11192-13E00	104A-22	12831-39F00	127A-10	13655-41F10	155B-23	
	105A-22		127A-13	13671-12C00	140B-21	
11211-44H00-0F0	107A-1	12833-17G00	127A-14	13681-06G40	140B-18	
11221-44H00-0F0	107A-2	12837-24F10	127A-9	13683-01H00	140B-13	
11241-19F10	101A-4		127A-12	13683-10F70	140B-12	
	107A-3	12837-27G10	101A-8	13683-44H30	140B-19	
11242-19F00	101A-5		127A-15	13685-04F10	140B-20	
	107A-4	12891-47H00	126A-12	13700-18K10	155B-1	
11301-27880	108A-1	12892-05C00-120	126A-13-1	13740-44H00	155B-2	
11323-19F00	108A-22	12892-05C00-125	126A-13-2	13746-44H00	155B-3	
11340-18K00	112A-1	12892-05C00-130	126A-13-3	155B-4	155B-4	
11343-44H01	112A-9	12892-05C00-135	126A-13-4	13780-44H00	155B-9	
11351-44H10	112A-13	12892-05C00-140	126A-13-5	13788-44H00	155B-13	
11360-18K00	112A-11	12892-05C00-145	126A-13-6	13826-44H01	155B-8	
11403-44820	101A-1	12892-05C00-150	126A-13-7	13827-40H01	104A-16	
11482-44H00	101A-6	12892-05C00-155	126A-13-8		105A-16	
	112A-4	12892-05C00-160	126A-13-9	13840-44H00	155B-16	
11483-19F00	101A-7	12892-05C00-165	126A-13-10	13841-44H00	155B-18	
	112A-14	12892-05C00-170	126A-13-11	13850-18K00	155B-14	
11959-15HA1	496B-3	12892-05C00-175	126A-13-12	13859-41B10	155B-11	
11971-25D00	112A-7	12892-05C00-180	126A-13-13	13881-18K00	155B-6	
11971-33210	112A-2	12892-05C00-185	126A-13-14	13882-18K00	155B-7	
12111-18K01-0F0	120A-7	12892-05C00-190	126A-13-15	13891-18K00	155B-5	
12140-15H10	120A-8	12892-05C00-195	126A-13-16	14150-18K00	163A-1	
12151-05A10	120A-9	12892-05C00-200	126A-13-17		163B-1	
12160-17G20	120A-3	12892-05C00-205	126A-13-18	14160-18K00	163A-2	

PART NO.	FIG.NO.-REF.NO.	PART NO.	FIG.NO.-REF.NO.	PART NO.	FIG.NO.-REF.NO.
		163B-2	17415-20920	180A-3	
14181-22D01		101A-9	17418-19F00	180A-10	
		163A-3	17435-33400	180A-11	
		163B-3	17451-17G00	120A-12	
14205-18K11		163A-6	17461-44H00	180A-16	
		163B-6	17461-48G00	180A-7	
14310-18K30-H01	163A-14	17470-02F10	180A-6	21100-44H00	120A-13
14310-18K50-H01	163B-14	17491-19F40	180A-5	21200-44860	201A-1
14459-19F10	163A-15	17662-02F11	187A-19	21411-44101	201A-2
	163B-15	17663-17G00	187A-20	21413-17G01	201A-3
	163A-7	17670-06G60	187A-21	21441-29F30	201A-5
14771-32E10	163A-16	17710-18K00	185A-1	21442-29F10	201A-4
	163B-7	17730-08D10	187A-1	21451-28C31	201A-6
	163B-16	17733-03D10	187A-28	21462-14301	201A-7
14780-18K10	163A-23	17741-17G00	185A-10	21471-17G00	201A-8
14780-18K40	163B-23	17761-18K00	185A-12	21472-17G00	201A-9
15100-18K00	172A-1	17762-18K00	185A-13	23110-44111	201A-14
15111-27G00	172A-3	17781-17G00	185A-9	23111-15501	201A-15
15112-05H00	172A-4	17798-29E30	449B-11	23121-44H00	201A-16
15113-05H00	172A-5	17800-18K00	185A-2	23122-44H00	201A-17
15113-35F00	172A-6	17802-12K00	185A-15	23123-41G00	201A-18
15114-14J00	172A-8	17802-14F00	185A-4	23125-41G00	201A-19
15115-08J00	172A-9	17802-45G00	185A-5	23271-44H21	201A-20
15116-10F00	172A-11	17851-44H00	187A-2	24120-27G00	206A-1
15151-31J00	172A-10	17852-44H00	187A-3	24127-19F00	206A-2
15181-18K00	172A-12	17853-19F00	187A-7		206A-3
15201-35F00	172A-14	17854-18K00	187A-4		206A-15
15420-31J00	172A-2	17856-44H00	187A-23		206A-16
15610-14J00	172A-7	17881-18K00	187A-5	24130-44H30	206A-17
15710-11J00	140B-9	17890-06G20	187A-8	24221-20F10	206A-4
15717-58B00	140B-10	17910-18K00	187A-11	24231-20F10	206A-5
15722-29G00	140B-11	17931-02FA0	187A-12	24251-20F02	206A-6
15731-11J00	140B-14	17981-44H00	187A-14	24252-19F00	206A-7
15732-11J00	140B-15	18117-52G10	140B-23	24252-38A10	206A-8
15810-18K00	172A-16	18119-44H00	140B-25	24261-20F00	206A-9
16321-19F00	170A-11	18213-18K00	163A-27	24311-44H00	206A-19
16331-19F00	170A-3		163B-27	24321-44H10	206A-20
16400-20F00	170A-1	18461-18K00	189A-2	24322-19F10	206A-21
16438-19F00	108A-14	18471-18K00	189A-3	24331-44H00	206A-22
16440-17C20	170A-7	18510-29G31	189A-4	24332-24510	206A-23
16461-18K00	178A-5	18531-06G20	189A-5		206A-24
16471-44H00	178A-6	18561-18K00	427A-12	24341-44H00	206A-25
16510-07J00	178A-10	18562-18K00	427A-11	24351-44H10	206A-26
16520-32E00	170A-8	18563-18K00	427A-9	24361-44H00	206A-27
16523-17G00	170A-9	18564-18K00	427A-10	24741-21A00	212A-6
16591-02F00	178A-3	18590-18K00	155B-20		212B-6
16600-44H00	178A-1	18610-18K00	189A-6	24751-19F10	206A-38
17210-15H10	427A-4	18711-18K00	189A-7	24881-12C30	206A-39
17400-18K00	180A-1			24885-12C10	206A-40
17411-18K00	180A-2			25211-42E20	212A-1

PART NO.	FIG.NO.-REF.NO.	PART NO.	FIG.NO.-REF.NO.	PART NO.	FIG.NO.-REF.NO.
25221-42E20	212B-1	31100-19F10	301A-1		312F-29
	212A-2	31132-18H00	301A-2	34111-04K00	330A-5
	212B-2	31143-49040	301A-3	34120-18K01	330A-1
25231-42E20	212A-3	31156-98E00	301A-4	34124-04K00	330A-3
	212B-3	31264-38F10	301A-5	34124-04K10	330A-4
25310-19F00	212A-7	31280-19F10	301A-6	34150-04K01	330A-2
	212B-7	31800-06G00	312A-1	34183-10C00	330A-6
	212A-9		312F-1	34189-08J00	330A-8
25312-42F01	212B-9	31861-47E00	312A-2	34810-18K00	172A-13
	212A-14		312F-2	35100-19F60-999	333B-1
25350-35F00	212B-14		32101-17G23	35111-19F00	333B-2
	212A-15		32102-17G01	303A-2	333B-3
25355-35F01	212A-15		32371-19F10	303A-3	333B-4
	212B-15		32800-47H00	312A-5	333B-5
25381-19F20	212A-10			312F-5	333B-6
	212B-10			312A-28	333B-7
25411-26D01	212A-4	32920-18K01	312A-28	35154-13F00	333B-7
	212B-4	32920-18K91	312F-28	35174-19F00	333B-8
25411-44B00	212A-5	33410-18K00	312A-7	35181-19F00	333B-9
	212B-5		312F-7	35601-08JB0	334A-1
25510-19F10	212A-18	33414-44H01	312A-8	35602-08JB0	334A-5
	212B-18		312F-8	35603-08JB0	334A-11
25512-06G10	212A-19	33420-18K00	312A-9	35604-08JB0	334A-15
	212B-19		312F-9	35612-08JAO	334A-2
25520-22A10	212A-27	33510-17G00	312A-20		334A-16
25520-22A30	212B-27		312A-21	35629-31F40	334A-9
25525-44H00	212A-29		312F-20	35632-08JAO	334A-6
25525-44H10	212B-29		312F-21		334A-12
25526-47000	212A-28	33510-20E00	312A-22	35710-14JB0	339C-1
	212A-31		312F-22	35726-18K00	339C-2
25600-44H01	212B-28	33541-23E10	312A-23	35910-16G11	339C-6
	212B-31		312A-24	35912-16G01	339C-8
25600-44H40	212A-30		312F-23	35913-16G00	339C-9
25617-03F10	212B-30		312F-24	35917-16G00	339C-7
	212A-33	33541-47D00	312A-25	35927-18K00	339C-14
25652-20C00	212B-33		312F-25	35950-14A11	339C-18
	212A-32	33542-17G01	312A-26	35970-07F01	339C-16
25671-01011	212B-32		312F-26	36118-19F00	333B-10
	212A-20	33542-38B00	312A-27	36610-18KM0	350D-1
	212B-20		312F-27	36610-18KR0	350H-1
27511-12C10	206A-43	33624-16G00	310D-8	36611-16G00	350D-27
27531-19F10	206A-46	33630-14G02	310D-1		350H-27
27600-44H10-112	206A-47	33652-16G00	310D-2		420A-22
27620-44H10	206A-48	33652-20C00	445A-14		420C-22
			445B-12	36618-31J00	310D-5
30000			449B-10	36618-35F00	350D-2
			33652-28C00		350H-2
			33810-18K00	36654-06J00	350D-9
			33820-18K10		350H-9
			33860-18K00	36920-08D00	350D-10
			33960-06G10		350H-10

PART NO.	FIG.NO.-REF.NO.	PART NO.	FIG.NO.-REF.NO.	PART NO.	FIG.NO.-REF.NO.
37100-16G01	352A-2	43526-18K00	415A-5		420C-10
37102-16810	352A-1	43526-18K10	415B-5	44542-29G00	420A-8
37146-33E00	352A-4	43561-44G00	407A-10		420C-8
37152-17K00	352A-3		407B-10	44560-23H00	420A-24
37200-18K00	355A-1	43571-18K00	415B-20		420C-25
37200-18K10	355C-1	43572-18K00	415B-21	44561-35F00	420A-14
37400-18K10	355A-3	43576-48B20	415A-9		420C-14
37400-18K30	355C-3	43576-48B70	415B-9	44570-16G00	420A-9
37730-44H01	212A-39	43611-37H20	415A-12		420C-9
	212B-39	43611-37H30	415B-12	44572-13G00	420A-7
37740-44H01	350D-21	43621-37H20	415A-13		420C-7
	350H-21	43621-37H30	415B-13		443A-2
37820-33D10	108A-33	43810-18K00	415A-10		443A-5
37822-33D00	108A-34		415B-10	44572-13G10	443B-2
37840-25D01	350D-23	43816-01H10	415A-17		443B-4
	350H-23		415B-17	44883-06G00	427A-6
38500-18K00	350D-25	43820-18K00	415A-11	44894-24A00	155B-17
	350H-25		415B-11	45100-18K01-BBC	505A-1
38610-06F01	334A-20	44100-18K60-YMD	420A-1-2	45100-18K11-BUG	505B-1
38860-76F01	350D-6	44100-18K60-YVB	420A-1-3	45100-18K51	970A-1
	350D-7		420C-1	45148-20G90	505A-2
	350D-8	44100-18K70-YKV	420A-1-1		505B-2
	350H-6	44176-31J00	422A-2	45149-31300	505A-3
	350H-7	44191-18K00	420A-16		505B-3
	350H-8		420C-16	45212-18K00	505A-4
		44200-17820	420A-3		505B-4
			420C-3	45220-04K20	505A-10
			420A-4		505B-10
			420C-4	45280-18K00	505A-11
			422A-1		505B-11
		44271-18K00	422A-3	45288-14F00	505A-12
41100-18K20-YAP	401A-1-1	44277-18K00	422A-4		505B-12
	401B-1	44278-18K00	422A-4	45289-11F00	505A-13
41100-18K20-YKY	401A-1-3	44279-18K00	422A-5		505B-13
41100-18K20-YYG	401A-1-2	44281-18K01	420C-24		505A-5
41942-44H00	401A-2	44423-18K01	420A-17	45380-18K00-P3H	505A-5
	401B-2		420C-17	45380-18K50-T65	505B-5
42310-18K00	407A-1	44423-18K11	420A-19	47110-18K00	443A-1
	407B-1		420C-19	47110-18KA0	443B-1
43111-44G10	407A-6	44427-18K10	420A-20	47115-18K00	449B-4
43111-44G20	407B-6		420C-20	47120-18K10-YVB	449B-5
43130-24A00	530A-6	44434-18K00	427A-1	47210-18K00	443A-4
	530B-6	44511-18K00	420A-5	47210-18KA0	443B-3
	550A-7		420C-5	47220-18K10-YVB	449B-7
	550C-7	44512-04K00	420A-6	47310-18K00-4TX	445A-1
43510-18K00	415A-1		420C-6	47310-18KA0-YVB	445B-1
43510-18K10	415B-1	44530-44H00	420A-11	47312-18K00	445A-15
43516-18K00	415A-4		420C-11		445B-13
43516-18K10	415B-4	44541-18K00	420A-23	47315-18K00	445A-3
43521-18K00	415A-2		420C-23		445B-3
43521-18K10	415B-2	44542-18K00	420A-10	47351-18K00	449A-1

PART NO.	FIG.NO.-REF.NO.	PART NO.	FIG.NO.-REF.NO.	PART NO.	FIG.NO.-REF.NO.
47361-18K00	449A-2	51146-17G20	521A-6		521A-36
47410-18K20-YKV	445A-4-1		521A-26	51192-19C00	521A-17
47410-18K20-YMD	445A-4-2	51146-17G80	521B-6		521A-37
47410-18K20-YVB	445A-4-3		521B-30		521B-17
47411-18KA1-YVB	445B-4	51147-06F10	521A-7		521B-41
47430-18K00	405A-1		521A-27	51195-48B31	521A-18
47432-18K00	405A-4		521B-7		521A-38
47433-18K00	405A-5		521B-31		521B-18
47510-18K20-YKV	445A-6-1	51148-36011	521A-8		521B-42
47510-18K20-YMD	445A-6-2		521A-28	51196-12C00	521A-19
47510-18K20-YVB	445A-6-3		521B-8		521A-39
47511-18KA1-YVB	445B-5		521B-32		521B-19
47543-44H00	449A-3	51152-01H10	521A-9		521B-43
	449B-1		521A-29	51201-32F00	521A-41
47611-18K00-YKV	443A-7		521B-9		521B-49
	443B-5		521B-33	51311-44H00-291	524A-1
47613-44H00	443A-8	51153-01H10	521A-10	51311-44HB0	524B-1
	443B-6		521A-30	51321-10F00	521A-42
	452B-3		521B-10		521B-50
47711-18K00-YKV	443A-9		521B-34	51321-10F10	524A-13
	443B-7	51168-38B00	521A-11	51328-44H00	524A-2
47915-31J00	443A-11		521A-31		524A-3
	443B-9		521B-11		524B-2
		51171-18K00	521B-35	51328-44HB0	524B-3
			521A-12	51344-23K10	524A-18
			521A-32		524B-14
		51171-18K10	521B-12	51353-13K00	524A-4
			521B-36		524B-4
		51173-01H00	521A-13	51356-13K00	524A-5
			521A-33		524B-5
			521B-13	51410-44HB0-291	524B-6
51103-18K00-291	521A-1		521B-37	51410-44HD0-291	524A-6
51103-18K10-291	521B-1	51176-18K00	521A-14	51482-44H00	524A-9
51104-18K00-291	521A-21		521A-14		524A-9
51104-18K10-291	521B-25		521A-34		524B-9
51110-18K00	521A-3		521B-14	51556-38B00	521A-20
	521A-23		521B-38		521A-40
	521B-3	51177-17G50	521A-15		521B-20
	521B-27		521A-35		521B-44
51117-12C00	521A-4		521B-15	51631-31F10	524A-15
	521A-24		521B-39		524B-11
	521B-4	51185-17G00	521B-21	51643-40503	524A-16
	521B-28		521B-45		524B-12
51121-44H00	521A-5	51186-12C00	521B-23	51644-12C00	524A-7
	521A-25		521B-47		524B-7
	521B-5	51187-32B00	521B-46	51810-18K00-YVB	452B-11
	521B-29	51188-32B00	521B-24	51811-18K01	452A-1
51130-18K00-291	521A-2		521B-48		452B-1
	521B-2	51189-12C00	521B-16	51821-18K00-YKV	452A-9
51140-18K00-291	521A-22		521B-40	51822-18K00-YVB	452B-9
	521B-26	51189-47D50	521A-16	51823-18K00-YVB	452B-10

50000

PART NO.	FIG.NO.-REF.NO.	PART NO.	FIG.NO.-REF.NO.	PART NO.	FIG.NO.-REF.NO.
51827-13G00	452A-2	56111-44H12-YAP	462A-1	59153-22D00	535A-7
	452B-2	56151-17G20	462B-2		535A-16
51827-18K00	452A-3	56200-41830	462A-2	59171-35F80	535A-20
51831-18K00-YKV	452A-10		462B-4	59200-18K61	536B-1
51831-21D00	452A-15	56211-44H00-291	524A-10	59200-18K71	536A-1
	452B-15	56272-10G00	462A-6	59210-38G10	530A-10
51841-18K00	452A-11		462B-8		530B-10
51850-18K00	452A-16	56272-42F00	462A-4	59240-18K21	536A-2
51850-18K10	452B-16		462B-6		536B-2
53111-18K00	460B-1	56273-10G10	462A-7	59251-18K00	536A-3
53145-40A00	405A-2		462B-9		536B-3
54111-18K00-019	530A-1-3	56500-08J11	462A-8	59261-18K00	536A-4
	530B-1		462B-10		536B-4
54111-18K00-QGY	530A-1-1	56600-08J11	462A-9	59263-44H10	536A-5
54111-18K00-YLY	530A-1-2		462B-11		536B-5
54162-44H00	530A-12	57110-21H02	467A-1	59300-34811	535A-2
	530B-12	57211-21H01	467A-7		535A-11
	530B-12	57300-44G20	467A-2	59300-34821	535A-3
	550A-24	57431-17H02	467A-3		535A-12
	550C-24	57431-45C01	467A-10	59300-35F60-999	535A-10
54711-08F00	530A-8	57441-45C00	467A-12	59303-14500	555A-5
	530B-8	57442-45C00	467A-13	59305-36E00	555A-8
54731-44H00	530A-2	57460-14J01	467A-5	59400-18K21	536A-6
	530B-2	57465-17C00	467A-6		536B-6
54751-44H00	530A-9	57500-25D30	467A-8	59600-10G50	537A-1
	530B-9	57560-05A00	467A-15	59600-18G10	537B-1
55110-18K00	530A-7	57562-41G01	467A-16	59600-45870	537A-2
	530B-7	57621-25D10	467A-9		537B-2
55156-66310	535A-9	57661-33E00	467A-17	59664-32F00	537A-4
	535A-18	58200-18K00	462B-12	59666-44300	537A-3
55411-22H00	530A-3-1	58200-44H10	462A-10		537B-3
	530B-3-1	58300-18K02	462B-15	59667-18441	537B-11
	550A-2-1	58300-18K12	462B-16	59667-49460	537A-5
	550C-2-1	58300-44H20	462A-13	59668-18441	537B-12
55412-22H00	530A-3-2	58300-44H30	462A-14	59668-41C00	537A-6
	530B-3-2	58634-44H00	462A-12	59669-10G20	537A-7
	550A-2-2		462B-14	59669-47H00	537B-13
	550C-2-2		535A-19	59671-32F00	537A-8
55413-22H00	530A-3-3	59100-35800	535A-1		537B-8
	530B-3-3	59100-35F60-999	535A-1		537B-8
	550A-2-3	59121-01A00	555A-2	59673-17C00	537B-7
	550C-2-3	59121-18410	535A-8	59675-02FA0	537A-9
55610-18K10	533A-2		535A-17		537B-9
55660-18K10	533A-3	59122-46H00	555A-3	59731-01H00	537B-19
55662-10G00	533A-5	59141-40F00	535A-4	59735-17C00	537B-20
55670-18K00	533A-20		535A-13	59740-47H10	537B-10
55680-18K00	533A-18	59145-18G00	535A-5	59743-17C00	537B-14
55710-18K20	533A-6		535A-14	59751-18K00	537B-17
55731-15H00	533A-1	59146-21E10	555A-4		
55733-44H00	533A-7	59151-35F00	535A-15		
56111-17G20	462B-1	59152-35F00	535A-6		





PART NO.	FIG.NO.-REF.NO.	PART NO.	FIG.NO.-REF.NO.	PART NO.	FIG.NO.-REF.NO.
08332-1106A	415A-8	09103-12016	108A-30	09134-06015	201A-21
	415A-18	09103-12034	543A-11	09139-05038	333B-13
	415B-8		543A-12	09139-05074	443A-10
	415B-18		543C-11		445A-8
08332-1108A	180A-9		543C-12		445B-6
08361-3506A	301A-8	09106-05023	212A-42		449A-4
09103-06060	420A-13		212B-42		449A-5
	420C-13	09106-06075	108A-15		449B-2
09103-06103	104A-9	09106-06098	112A-10		449B-3
	105A-8	09106-07010	104A-20		452A-12
09103-06266	104A-3		105A-20		452B-13
	105A-3	09106-07021	104A-19	09139-05504	443B-8
	452A-17		105A-19		452B-18
09103-06525	452B-17	09106-08074	415A-19	09139-06029	112A-12
	533A-16		415B-19	09139-06118	452A-4
	536A-14	09106-08119	541A-16		452B-4
	536B-14	09106-08160	530A-11	09139-06124	163A-24
	558B-25		530B-11	09139-06128	163B-24
	187A-22		550A-23	09139-06165	541A-13
09103-06526	533A-21		550C-23	09139-06183	185A-14
	533A-22	09106-08162	163A-9	09139-06190	460B-3
	536A-15		163B-9	09139-06192	422A-7
	536A-16	09106-08178	163A-4	09140-06025	212A-34
	536B-15		163B-4	09140-06032	212B-34
	536B-16	09106-08186	415A-3	09140-20001	201A-11
	537B-16		415B-3	09148-05052	330A-7
	558B-30	09106-08190	122A-4	09159-06096	339C-15
	189A-10	09106-08195	163A-18	09159-10111	108A-31
	212A-36		163B-18	09159-10115	543A-19
	212B-36	09106-08197	163A-17		543C-19
09103-06529	533A-19		163B-17	09159-12056	108A-32
09103-06530	112A-6	09111-06041	212A-16		543A-13
	112A-16		212B-16		543A-14
	312A-18	09111-06063	187A-13		543A-15
	312F-18	09111-06072	541A-8		543C-13
09103-06533	108A-3	09111-06092	460B-2		543C-14
09103-06536	112A-17	09111-06107	474A-4		543C-15
09103-06537	180A-13		541A-12	09159-18007	541A-9
09103-08359	535A-21	09111-10059	407A-2	09159-20004	206A-44
09103-08365	163A-8		407B-2	09159-20013	550A-13
	163B-8	09113-06010	405A-7		550C-13
09103-10041-A05	108A-28	09116-06188	312A-10	09160-04026	330A-9
09103-10126	543A-17		312F-10	09160-05501	339C-3
	543C-17	09116-06203	201A-10		339C-12
09103-10145	108A-29	09116-06510	533A-4	09160-06077	474A-9
09103-10213	543A-18	09118-06097	185A-8	09160-06088	505A-6
	543C-18	09119-10043	550A-17		505B-6
	120A-14		550C-17	09160-06109	422A-8
09103-10378	104A-25	09128-06013	312A-4	09160-08135	163A-10
09103-12004	303A-4		312F-4		163B-10

PART NO.	FIG.NO.-REF.NO.	PART NO.	FIG.NO.-REF.NO.	PART NO.	FIG.NO.-REF.NO.
09160-08157	163A-19		445B-7	09263-17053	541A-3
	163B-19	09180-08152	163A-11		543A-3
09160-10020	201A-22		163A-20		543C-3
09160-10039	550A-18		163B-11	09263-20073	543A-4
	550C-18		163B-20		543C-4
09160-12011	212A-35	09180-20062	550A-4	09263-20115	206A-36
	212B-35		550C-4	09263-25018	212A-12
09160-12036	303A-5	09181-10158	170A-4		212B-12
09160-14016	212A-21		180A-17	09263-25059	541A-4
	212B-21	09181-14167	212A-22	09265-25038	524A-17
09160-15045	201A-23		212B-22		524B-13
09160-18022	407A-7	09181-17195	206A-32	09265-30020	524A-8
	407B-7	09181-20195	206A-33		524B-8
09160-18030	541A-10	09181-25160	178A-4	09280-04004	104A-24
09160-20067	201A-12	09181-25167	206A-11		105A-24
09161-10009	536A-7	09200-06068	558B-23		108A-7
	536B-7	09206-08001	104A-2		108A-9
	558B-5		105A-2		108A-16
09164-08015	524A-12	09206-10016	104A-28	09280-09005	521B-22
	541A-17		105A-26	09280-13007	108A-10
09167-20006	201A-13	09206-11007	108A-2	09280-15007	108A-11
09167-25013	206A-28	09206-12006	122A-2	09280-17003	112A-8
09167-25021	206A-10	09208-08017	415A-14	09280-18008	187A-9
	206A-29		415B-14	09280-22001	180A-14
	206A-30	09208-08019	415A-6	09280-22008	112A-20
09167-25028	206A-45		415B-6	09280-24010	206A-49
09168-06023	104A-11	09247-12006	108A-26	09280-26005	212A-40
	105A-11	09247-12011	108A-12		212B-40
	108A-25	09248-16012	108A-20	09280-46006	104A-14
	112A-18		112A-21		105A-14
09168-08008	180A-4	09250-06016	524A-14	09280-55002	178A-2
09168-08016	108A-19	09251-07003	427A-5	09280-57003	474A-6
09168-12002	108A-13	09259-26012	112A-19	09282-10012	201A-27
	108A-27	09261-04001	170A-5	09283-06008	201A-28
09168-12017	187A-26	09261-04002	180A-18	09283-14005	212A-23
09168-16002	108A-21	09261-06002	170A-12		212B-23
	112A-22	09262-10014	180A-8	09283-36011	206A-35
09169-25001	206A-31	09262-17023	206A-37	09285-10004	201A-29
09180-06161	462A-5	09262-17046	206A-12	09285-22004	530A-4
	462B-7	09262-20116	206A-13		530B-4
09180-06195	312A-11	09262-25006	212A-11	09285-28001	550A-5
	312F-11		212B-11		550C-5
09180-06263	312A-12	09262-25073	550A-20	09285-35001	550A-19
	312F-12		550C-20		550C-19
09180-06290	185A-7	09262-25125	206A-34	09289-04002	126A-10
09180-06331	312A-13	09263-10014	201A-24	09320-04009	163A-25
	312F-13	09263-12027	201A-25		163B-25
09180-06368	452A-5	09263-15003	201A-26	09320-06504	443A-12
	452B-5	09263-17034	543A-2		443B-10
09180-08052	445A-9		543C-2		452A-13



## **SUZUKI SV650A(U)/XA(U)M0 PARTS CATALOGUE**

---

SUZUKI MOTOR CORPORATION All rights reserved

No part of this document may be reproduced or transmitted in any form or by any means, electronic or mechanical, for any purpose, without the express written permission of Suzuki Motor Corporation.

SUZUKI MOTOR CORPORATION

Technical Readiness Group, Quality Administration Department  
300 Takatsuka, Minami, Hamamatsu, Japan

**SUZUKI MOTOR CORPORATION**

PRINTED IN JAPAN

**9900B-31612-000**