

SUZUKI

PARTS CATALOGUE

GSX-R1000AL7

(JS1DM11A)



E21

2016-12

1ST EDITION

GSX-R1000AL7



YSF

GSX-R1000AL7



YKV

GSX-R1000AL7



YVZ

PREFACE

When it becomes necessary to replace parts on SUZUKI MOTORCYCLES, always use SUZUKI GENUINE PARTS which have passed a strict inspection which guarantees quality and performance.

This parts catalogue covers the list of all service parts for SUZUKI GSX-R1000AL7.

INSTRUCTIONS FOR QUOTING THE CATALOGUE

1. DIMENSIONS

Dimensions of the parts in this catalogue are indicated in unit millimeters.

2. ABBREVIATIONS

Abbreviations used in this catalogue are as follows:

AR	: As required	NT	: Number of teeth
ASSY	: Assembly	OPT	: Optional
E.NO.	: Engine number	OS	: Over size
F.NO.	: Frame number	STD	: Standard
D	: Diameter of material	T	: Thickness
ID	: Inside diameter	US	: Under size
OD	: Outside diameter	W	: Width
L	: Length		
LH	: Left hand side		
RH	: Right hand side		
~100045	: Up to F.NO.100045		
100046~	: From F.NO.100046		
12 x 34 x 5.6.....	Figures in the description column		
	show the dimensions of parts.		
ID OD T(or W,L)			

→12345-56781 (Parts No.) : indicates that the parts number was changed to 12345-56781 and the new parts are interchangeable with the former ones but the former ones are not interchangeable with new ones.

←12345-56781 (Parts No.) : indicates that the former and new parts are interchangeable with each other and both are usable.

3. INNER PARTS OF ASSEMBLY

Part name with a dot (.) in front as shown in the description column indicates the component of the assembly also available individually.

4. MODIFICATION NOTICE

A parts bulletin will be sent to you on all occasions when changes in parts occur, including interchangeable modifications between new parts and old ones.

5. NOTE

5-1. There are some different parts from those of production models among spare parts for the administrative reasons and common use of them with other models.

5-2. In respect of rubber hoses and vinyl tubes, please be sure to use them by cutting off according to the length mentioned on parts catalogue or what is actually required on the vehicle.

5-3. Note that the drawings on the illustration page are for ready reference of spare parts number, not to be used as an assembly manual. When assembling, use "SUZUKI SERVICE MANUAL".

6. SPECIFICATION CODE

This catalogue contains the parts for the model designed for the following spec. ;
spec. code : GSX-R1000AL7 : E21.

7. SERIAL FRAME NUMBER

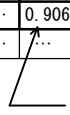
GSX-R1000AL7 (E21) : JS1DM11AZH2100001~

MILLIMETER → INCH CONVERSION CHART

	0	1	2	3	4	5	6	7	8	9
00	.000	.039	.079	.118	.157	.197	.236	.276	.315	.354
10	.394	.433	.472	.512	.551	.591	.630	.669	.709	.748
20	.787	.827	.866	.906	.945	.984	1.024	1.063	1.102	1.142
30	1.181	1.220	1.260	1.299	1.339	1.378	1.417	1.457	1.496	1.535
40	1.575	1.614	1.654	1.693	1.732	1.772	1.811	1.850	1.890	1.929
50	1.969	2.008	2.047	2.087	2.126	2.165	2.205	2.214	2.283	2.323
60	2.362	2.402	2.441	2.480	2.520	2.559	2.598	2.638	2.677	2.717
70	2.756	2.795	2.835	2.874	2.913	2.953	2.992	3.031	3.071	3.110
80	3.150	3.189	3.228	3.268	3.307	3.346	3.386	3.425	3.465	3.504
90	3.543	3.583	3.622	3.661	3.701	3.740	3.780	3.819	3.858	3.898

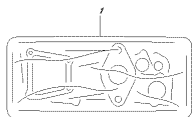
How to read

	0	1	2	3	4
00
10
20	0.906	...
30


 23 millimeters equal 0.906 inch

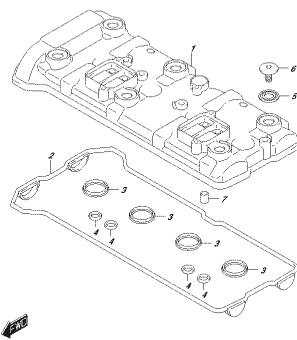
Contents are subject to change without notice or obligation.

FIG. 101A



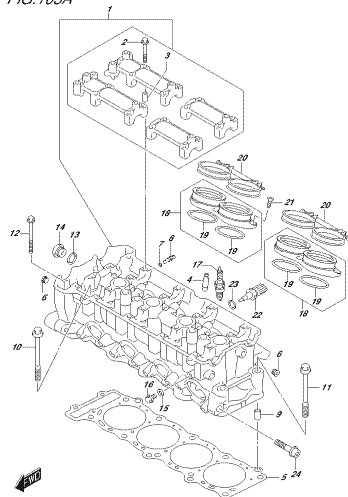
OSKRI030AL_Z_EFL_101A
GRABNET SET

FIG. 102A



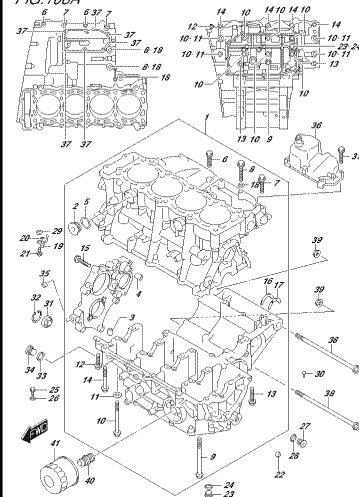
OSKRI030AL_Z_EFL_102A
STURZBEFESTIGUNG

FIG. 103A



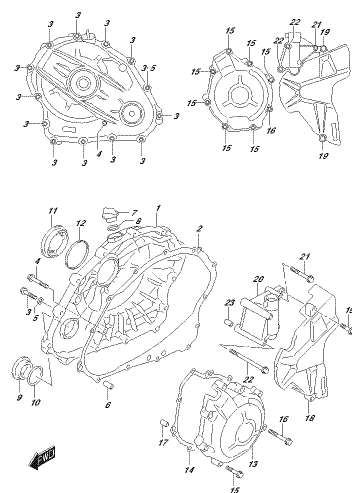
OSKRI030AL_Z_EFL_103A
STURZBEFESTIGUNG

FIG. 108A



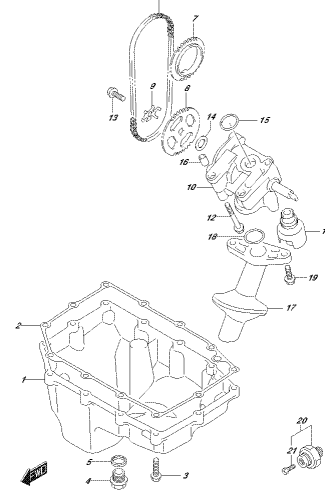
OSKRI030AL_Z_EFL_108A
GRABNETSET

FIG. 112A



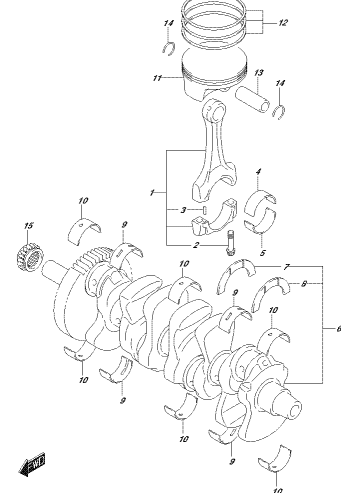
OSKRI030AL_Z_EFL_112A
ERKAMMHAUSE COVER

FIG. 116A



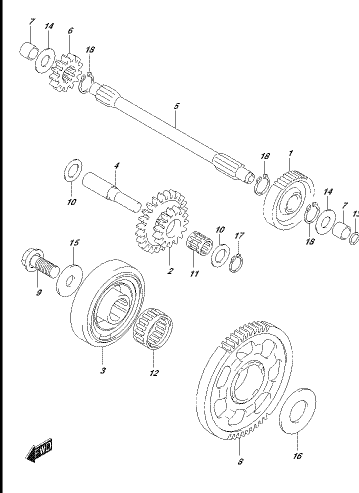
OSKRI030AL_Z_EFL_116A
ÖL-PUMPE PUMP

FIG. 120A



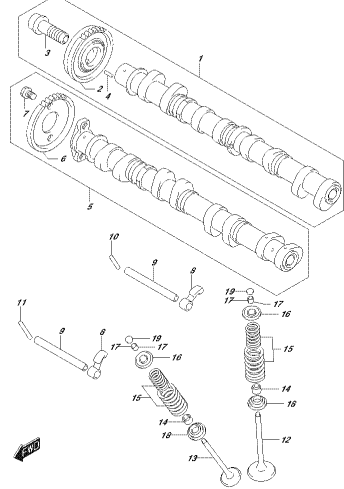
OSKRI030AL_Z_EFL_120A
ERKAMMHAUSE

FIG. 122A



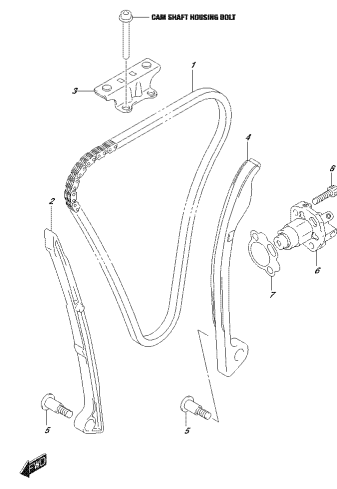
OSKRI030AL_Z_EFL_122A
STARTER-RELECH

FIG. 126A



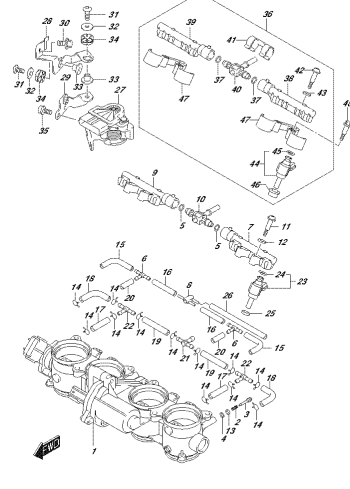
QSK191000AL_Z_EPL_156A
QSK1604W270AL02

FIG. 127A



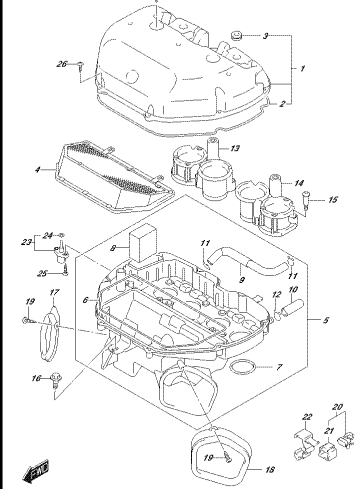
QSK191000AL_Z_EPL_157A
QSK1604W01

FIG. 140A



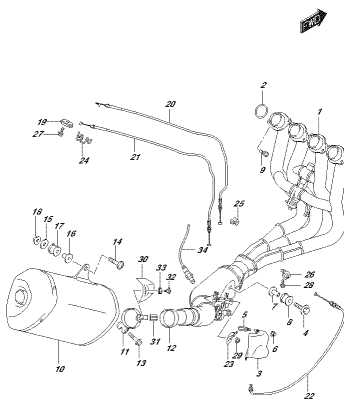
QSK191000AL_Z_EPL_140A
F0807LZ0037

FIG. 155A



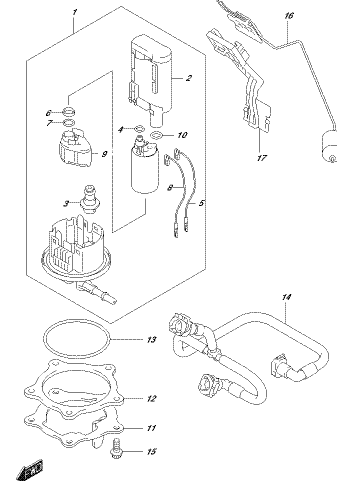
QSK191000AL_Z_EPL_155A
M01G02402

FIG. 163A



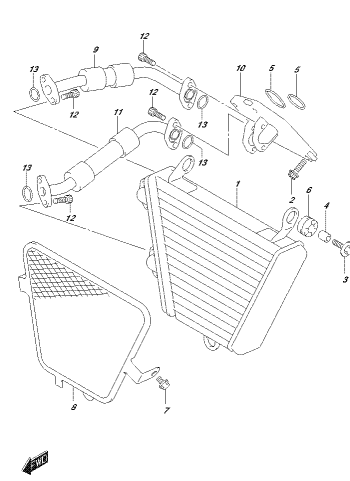
QSK191000AL_Z_EPL_163A
M01F0101

FIG. 172A



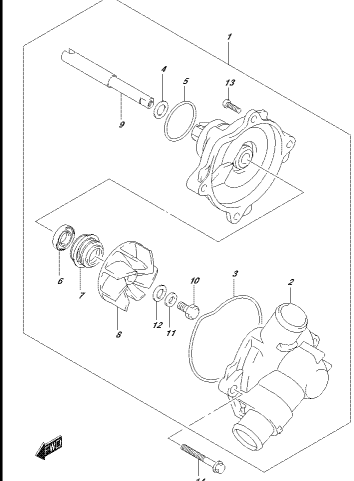
QSK191000AL_Z_EPL_172A
FUEL PUMP

FIG. 178A



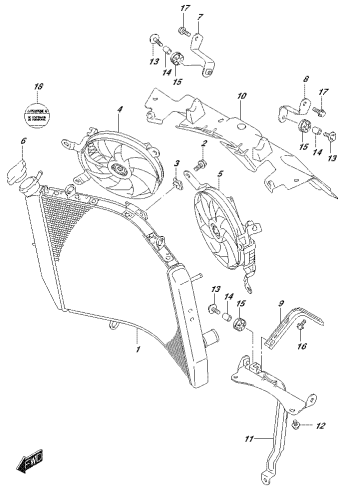
QSK191000AL_Z_EPL_178A
DIE COOLER

FIG. 180A



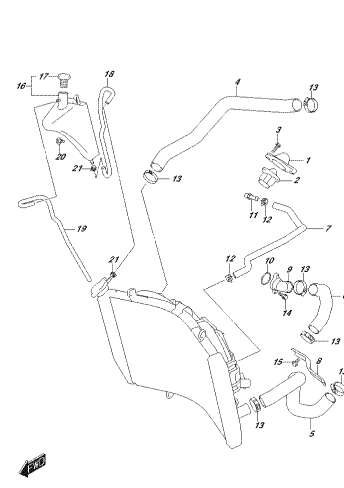
QSK191000AL_Z_EPL_180A
WATER PUMP

FIG.185A



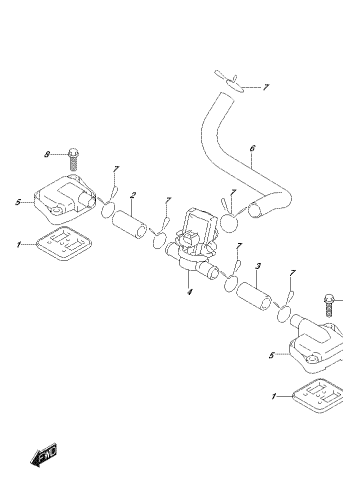
OSKRI0300AAL_Z_EPL_185A
OSKUM 625

FIG.187A



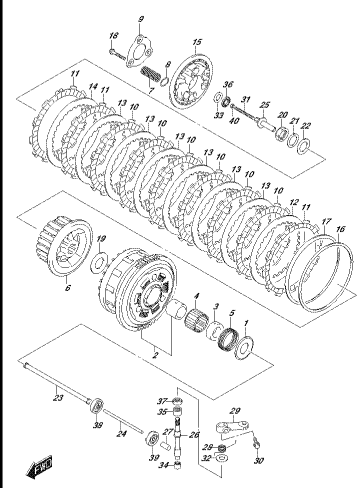
OSKRI0300AAL_Z_EPL_187A
OSKUM 625-025C

FIG.189A



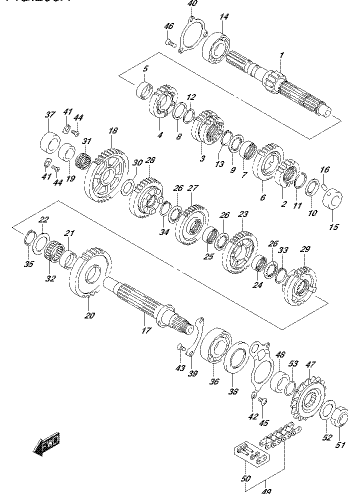
OSKRI0300AAL_Z_EPL_189A
OSKUM 607

FIG.201A



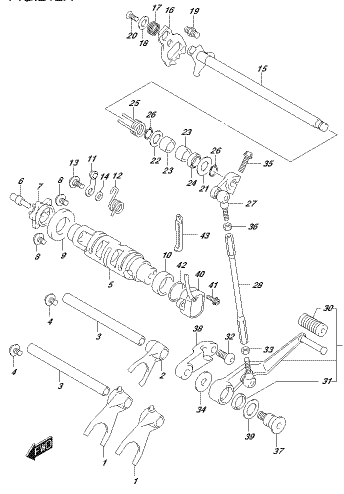
OSKRI0300AAL_Z_EPL_201A
OSKUM 624

FIG.206A



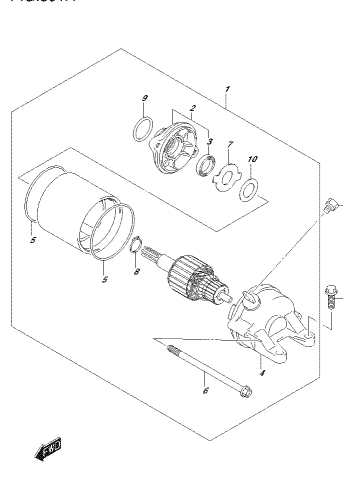
OSKRI0300AAL_Z_EPL_206A
TRANSMISSIÖN

FIG.212A



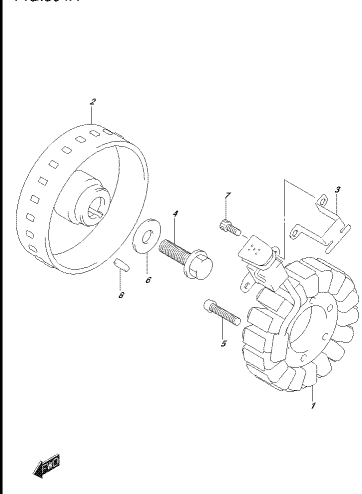
OSKRI0300AAL_Z_EPL_212A
GEAR SHIFTING

FIG.301A



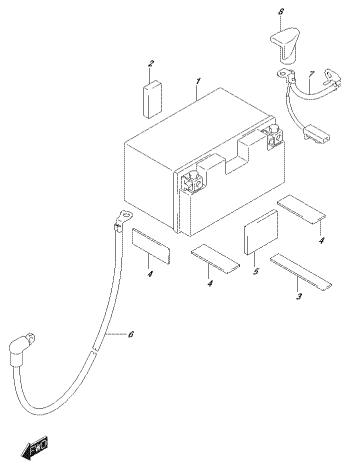
OSKRI0300AAL_Z_EPL_301A
STARTING MOTOR

FIG.304A



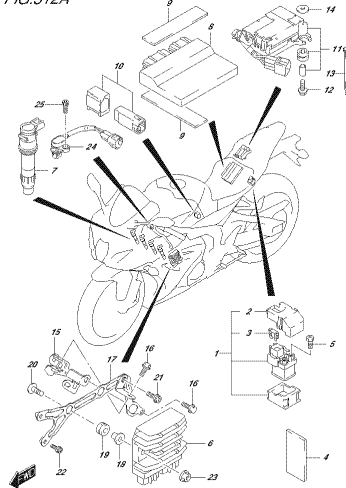
OSKRI0300AAL_Z_EPL_304A
GEAR MOTOR

FIG.310A



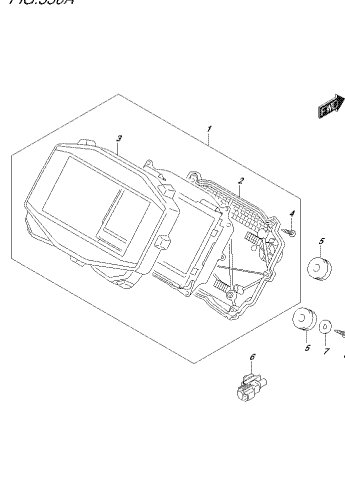
OSKAR/OSKAL_Z_EFL_210K
BATTERIE

FIG.312A



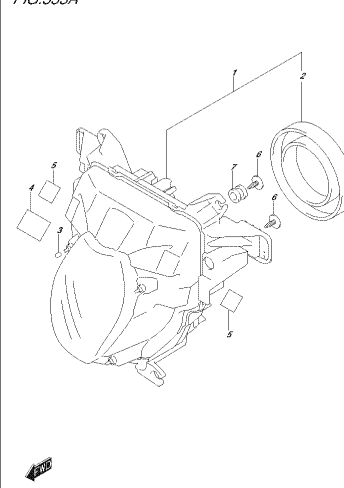
OSKAR/OSKAL_Z_EFL_210K
ELEKTROD.

FIG.330A



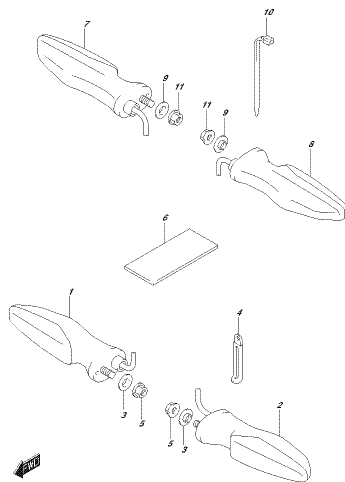
OSKAR/OSKAL_Z_EFL_330K
HINTERRADLEuchte

FIG.333A



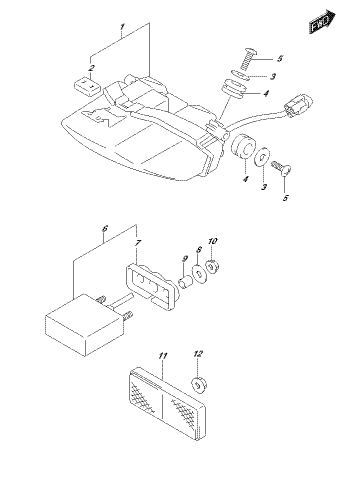
OSKAR/OSKAL_Z_EFL_333K
HEADLAMP

FIG.334A



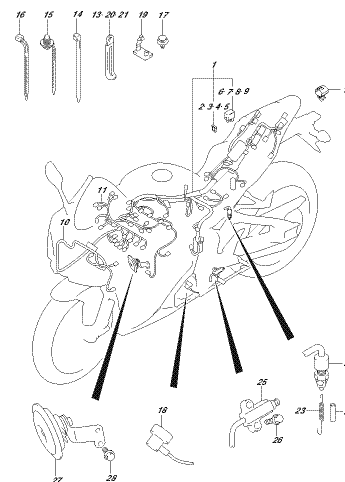
OSKAR/OSKAL_Z_EFL_334K
TURN SIGNAL LAMP

FIG.339A



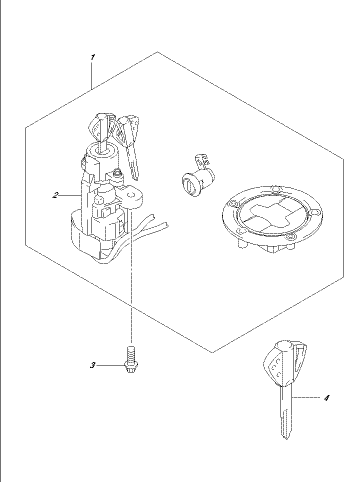
OSKAR/OSKAL_Z_EFL_339K
REAR CONSTRUCTION LAMP

FIG.350A



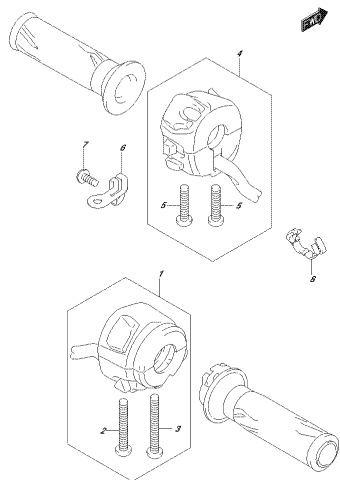
OSKAR/OSKAL_Z_EFL_350K
HORN/HORNSET

FIG.352A



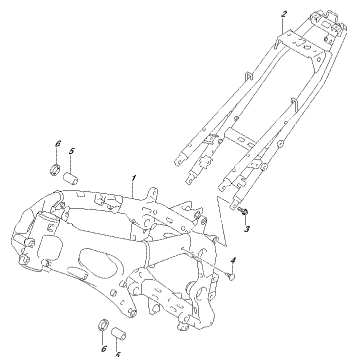
OSKAR/OSKAL_Z_EFL_352K
LOCK SET

FIG.355A



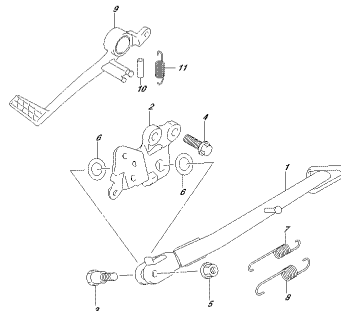
QSKFRI030AL_Z_EPL_155K
HANDLE SWITCH

FIG.401A



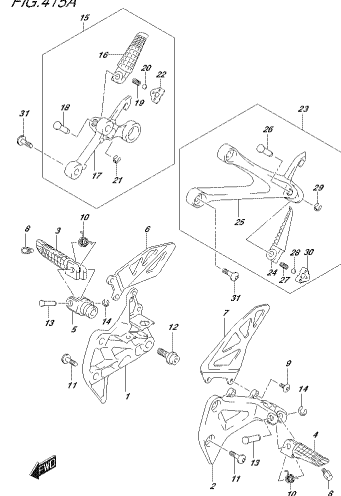
QSKFRI030AL_Z_EPL_401K
FRAME

FIG.407A



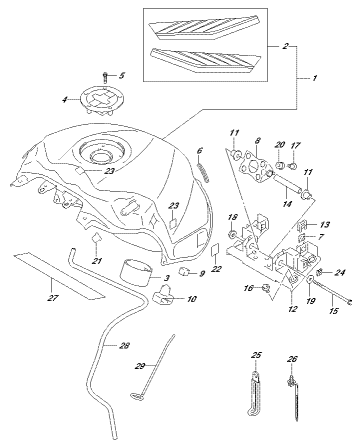
QSKFRI030AL_Z_EPL_407K
CONTROL LEVER

FIG.415A



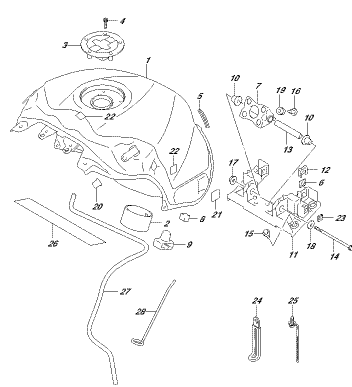
QSKFRI030AL_Z_EPL_415K
SEAT

FIG.420A



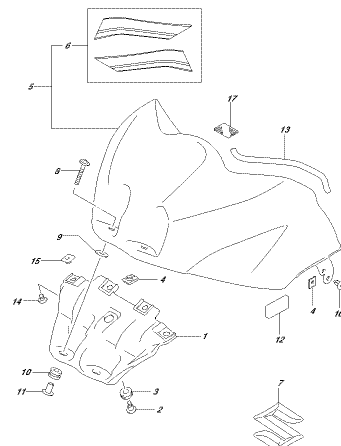
QSKFRI030AL_Z_EPL_420K
FUEL TANK

FIG.420B



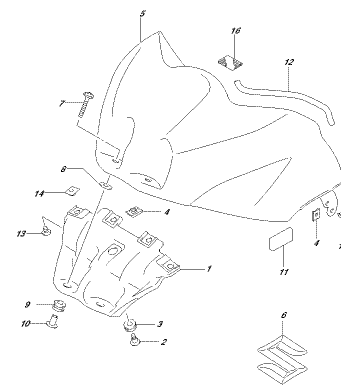
QSKFRI030AL_Z_EPL_420B
FUEL TANK FRONT COVER

FIG.422A



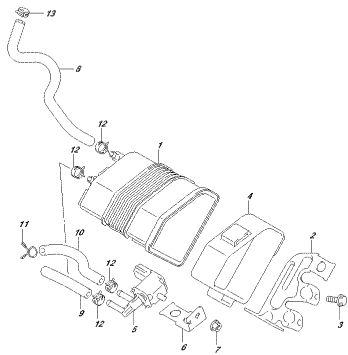
QSKFRI030AL_Z_EPL_422K
FUEL TANK FRONT COVER

FIG.422B



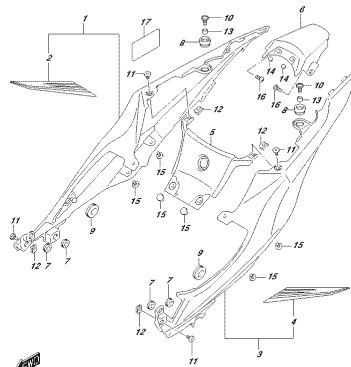
QSKFRI030AL_Z_EPL_422B
FUEL TANK FRONT COVER

FIG.427A



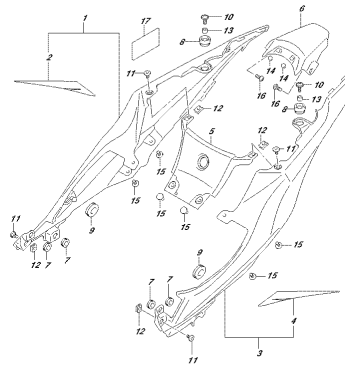
OSKAR ROSSIGNAL Z. EPL. 4074
FRONT COVER

FIG.445A



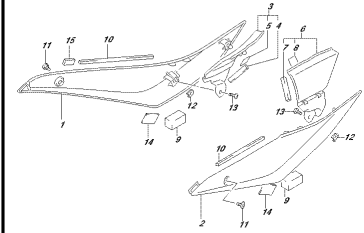
OSKAR ROSSIGNAL Z. EPL. 4454
FRONT COVER

FIG.445B



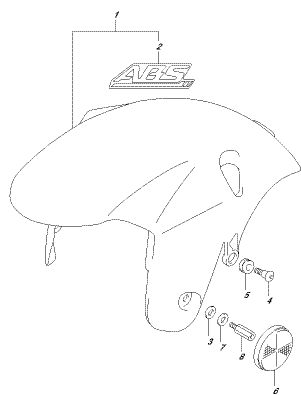
OSKAR ROSSIGNAL Z. EPL. 445B
FRONT COVER

FIG.448A



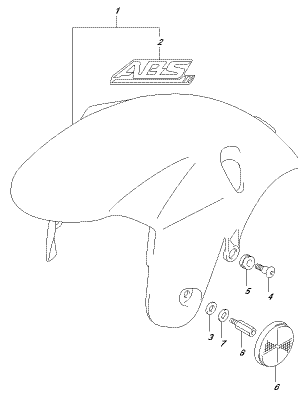
OSKAR ROSSIGNAL Z. EPL. 4484
FRONT LOWER COVER

FIG.460A



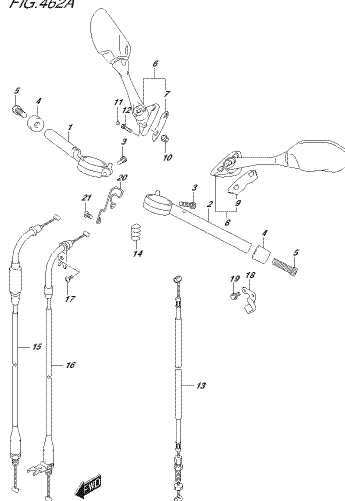
OSKAR ROSSIGNAL Z. EPL. 4604
FRONT FENDER

FIG.460B



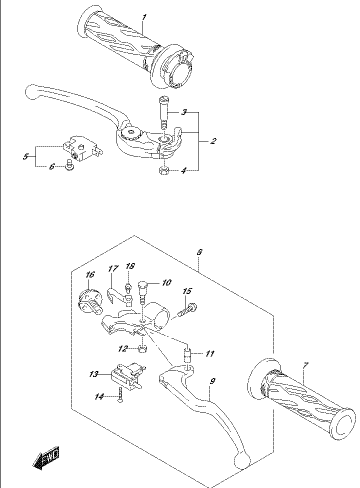
OSKAR ROSSIGNAL Z. EPL. 460B
FRONT FENDER

FIG.462A



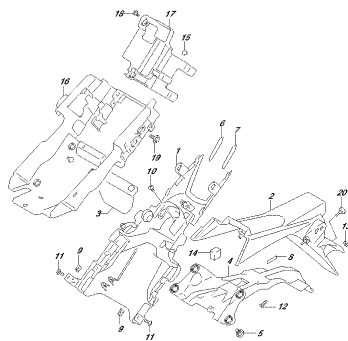
OSKAR ROSSIGNAL Z. EPL. 4624
HANDLEBAR

FIG.467A



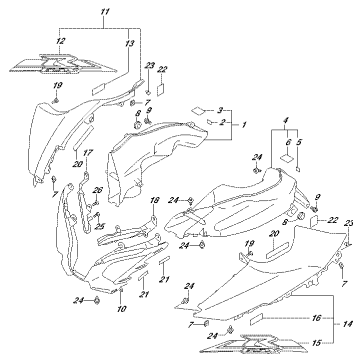
OSKAR ROSSIGNAL Z. EPL. 4674
HANDLE LEVER

FIG.474A



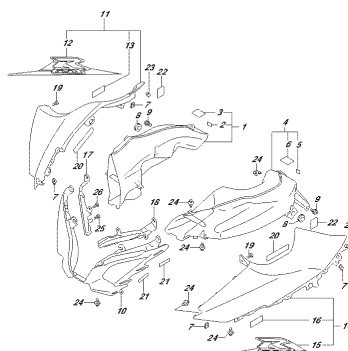
GSX-R1000AL_Z_EPL_474A
CSX46FE3036

FIG.480A



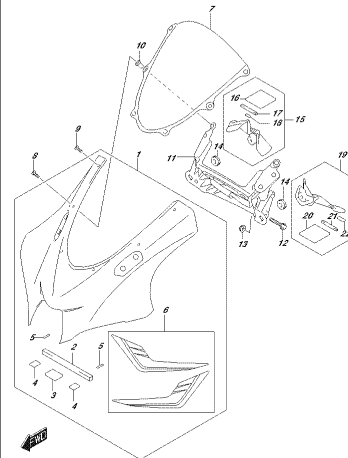
GSX-R1000AL_Z_EPL_480A
MR171KXG39FC

FIG.480B



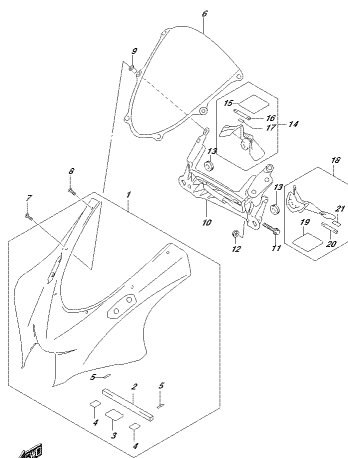
GSX-R1000AL_Z_EPL_480B
MR171KXG39FC

FIG.481A



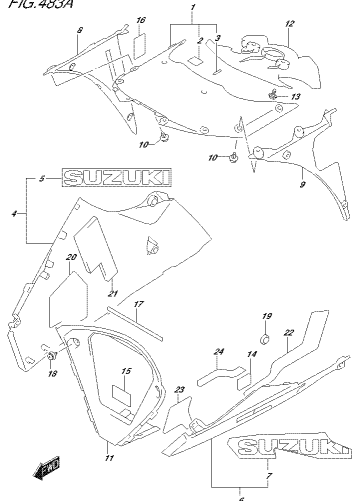
GSX-R1000AL_Z_EPL_481A
CSX46FE3037

FIG.481B



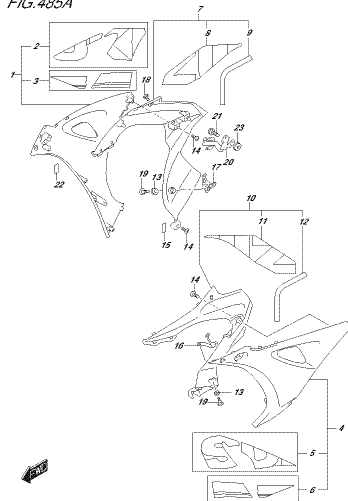
GSX-R1000AL_Z_EPL_481B
CSX46FE3037

FIG.483A



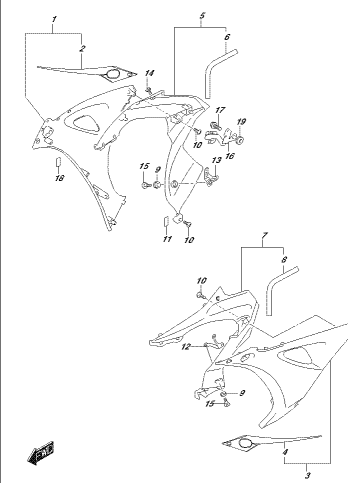
GSX-R1000AL_Z_EPL_483A
LINDERFCXW1NG

FIG.485A



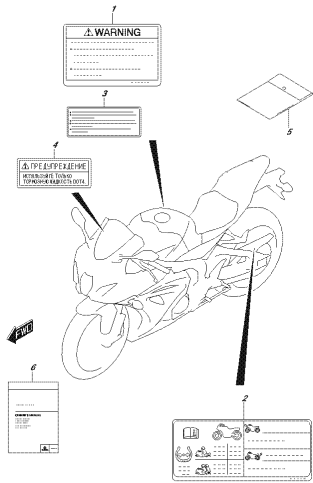
GSX-R1000AL_Z_EPL_485A
CSX6CXW1NG

FIG.485B



GSX-R1000AL_Z_EPL_485B
CSX6CXW1NG

FIG.496A



OSKARIORRAL_Z_EFI_496A
#4962

FIG.505A

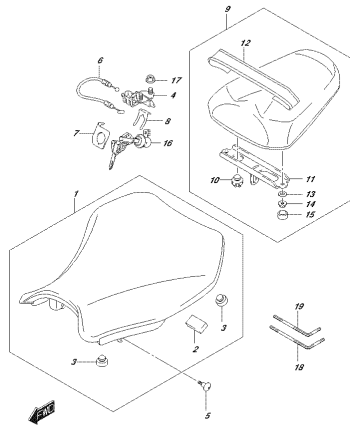
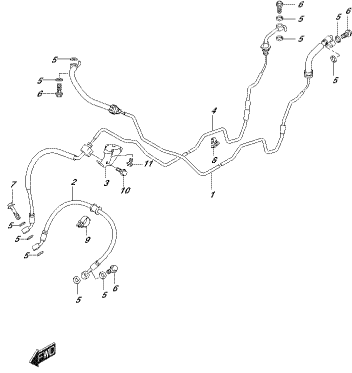
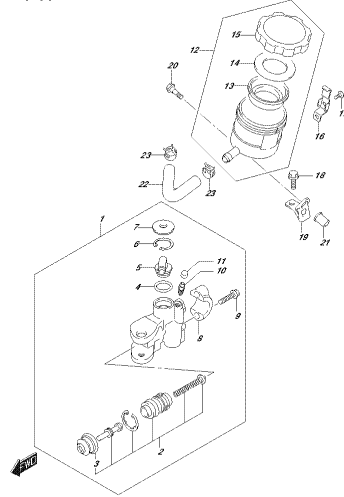


FIG.536A



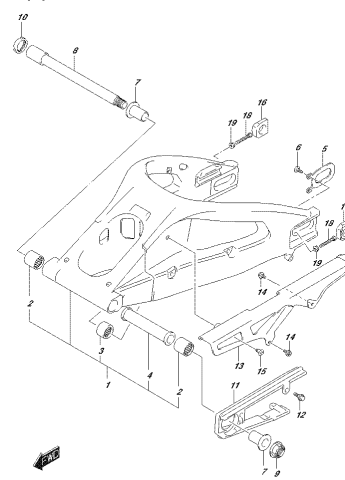
QSKF RI030AK_Z_EFI_326K
FRONT BRAKE HOSE

FIG.537A



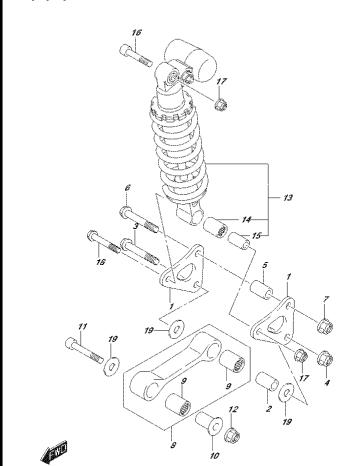
QSKF RI030AK_Z_EFI_327A
FRONT MASTER CYLINDER

FIG.541A



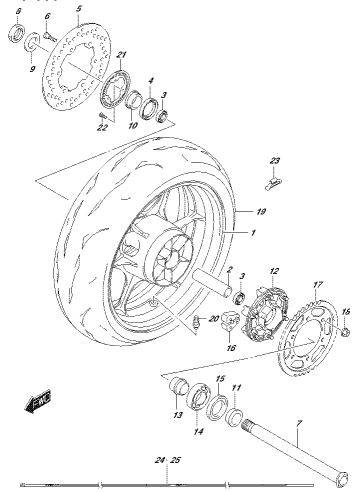
QSKF RI030AK_Z_EFI_341A
FRONT BRAKE CALIPER

FIG.543A



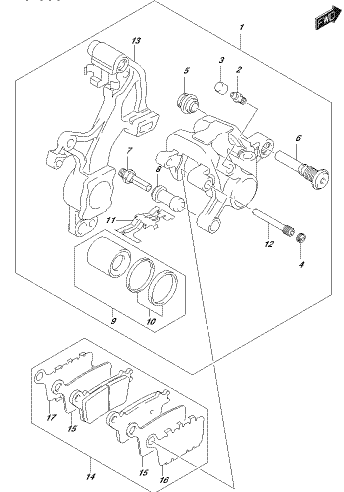
QSKF RI030AK_Z_EFI_343K
FRONT SHOCK ABSORBER

FIG.550A



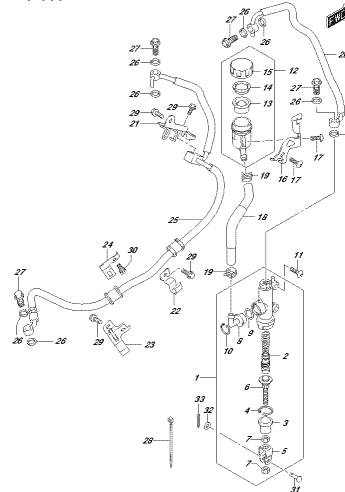
QSKF RI030AK_Z_EFI_350K
REAR WHEEL

FIG.555A



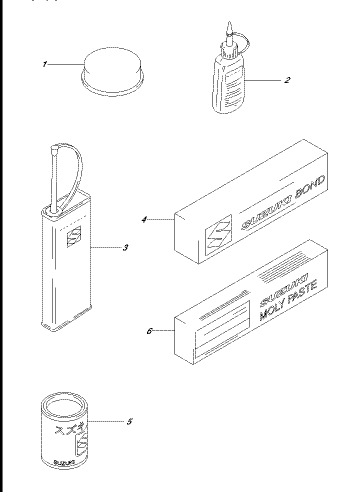
QSKF RI030AK_Z_EFI_355K
REAR CALIPER

FIG.558A



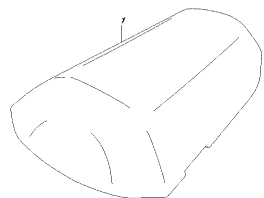
QSKF RI030AK_Z_EFI_358K
REAR MASTER CYLINDER

FIG.901A



QSKF RI030AK_Z_EFI_901A
OPTIONAL

FIG. 970A



OSPF 11/20/2014 2:48:11 PM
970214

FIG.101A

FIG.101A (1-B-2) GASKET SET

REF NO.	PART NO.	DESCRIPTION	QTY	REMARKS
1	11402-17810	GASKET SET	1	OPT
2	11141-17K00	.GASKET, CYLINDER HEAD	1	NOT ILLUSTRATED
3	11173-17K00	.GASKET, CYLINDER HEAD COVER	1	NOT ILLUSTRATED
4	11178-33E00	.GASKET, CYLINDER HEAD COVER NO.2	1	NOT ILLUSTRATED
5	11182-35F10	.COVER, 2ND AIR PASSAGE	1	NOT ILLUSTRATED
6	11191-27E00	.WASHER, HEAD COVER	1	NOT ILLUSTRATED
7	11482-17K00	.GASKET, CLUTCH COVER	1	NOT ILLUSTRATED
8	11483-17K00	.GASKET, MAGNETO COVER	1	NOT ILLUSTRATED
9	11489-17K00	.GASKET, OIL PAN	1	NOT ILLUSTRATED
10	12837-02H00	.GASKET, TENSIONER ADJUSTER	1	NOT ILLUSTRATED
11	14181-04K00	.GASKET, EXHAUST PIPE	1	NOT ILLUSTRATED

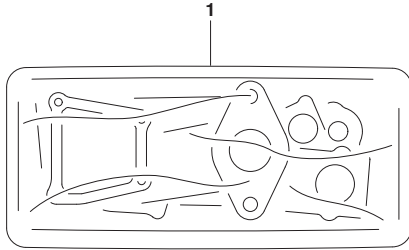


FIG.102A

FIG.102A (1-B-3) CYLINDER HEAD COVER

REF NO.	PART NO.	DESCRIPTION	Q'TY	REMARKS
1	11171-17K00	COVER, CYLINDER HEAD	1	
2	11173-17K00	GASKET, HEAD COVER	1	
3	11178-33E00	GASKET, HEAD COVER NO.2	4	
4	11182-35F10	GASKET, 2ND AIR PASSAGE	4	
5	11191-27E00	WASHER	6	
6	09106-07021	BOLT (7X17.5)	6	
7	09206-10016	PIN (8.2X10X13)	4	

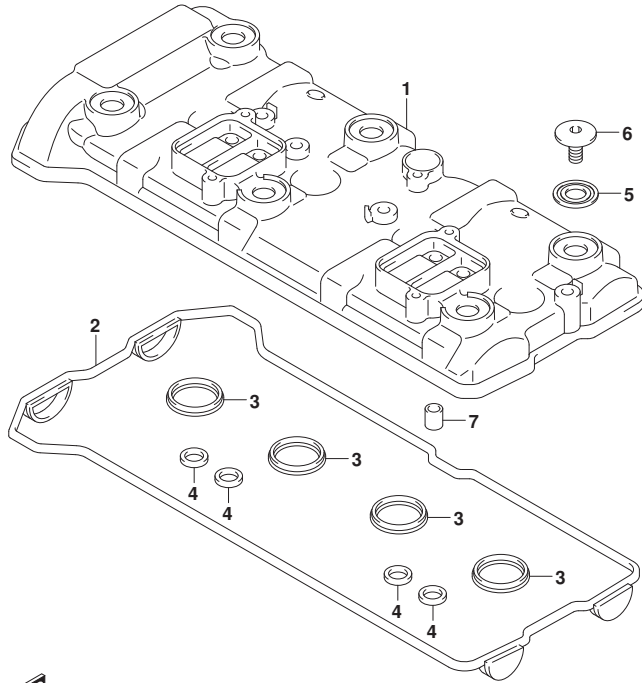
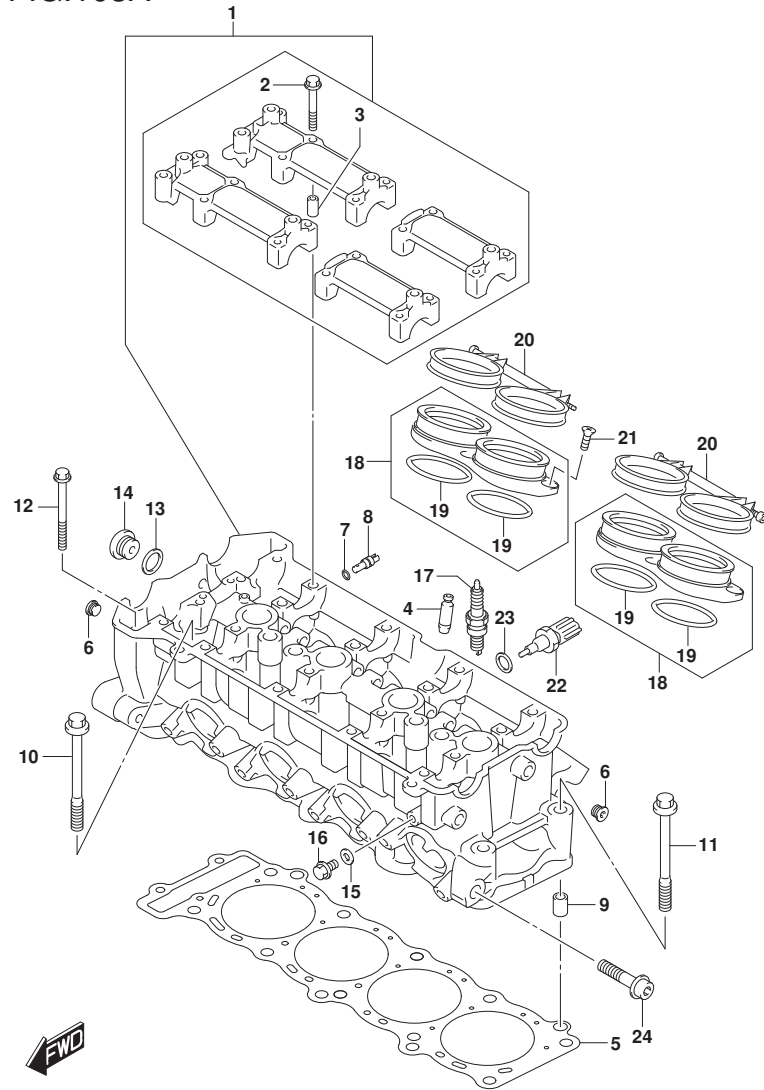


FIG.103A



GSX-R1000AL7_E21_103A
CYLINDER HEAD

FIG.103A (1-B-4) CYLINDER HEAD

REF NO.	PART NO.	DESCRIPTION	Q'TY	REMARKS
1	11100-17K00	HEAD ASSY, CYLINDER	1	
2	09103-06266	.BOLT (6X40)	20	
3	09206-08007	.PIN (6.2X8X16)	8	
4	11115-29G70	GUIDE, VALVE (OS 0.3)	16	OPT
5	11141-17K00	GASKET, CYLINDER HEAD	1	
6	09248-10006	PLUG	4	
7	09280-04004	O RING (D:1.2,ID:4)	1	
8	09493-80005	JET (8)	1	
9	04211-11169	PIN	2	
10	11117-29G00	BOLT, CYLINDER HEAD (L95)	8	
11	11117-29G20	BOLT, CYLINDER HEAD (L95)	2	
12	01547-0665A	BOLT	2	
13	09168-16009	GASKET (16X22X0.8)	1	
14	09248-16012	PLUG (16X8)	1	
15	09168-06023	GASKET (5.8X13X1.2)	1	
16	01550-0612A	BOLT	1	
17-1	09482-00558	SPARK PLUG (CR9EIA-9)	4	NGK
17-2	09482-00557	SPARK PLUG (IU27D)	4	DENSO
17-3	09482-00556	SPARK PLUG (CR8EIA-9)	4	OPT
17-4	09482-00560	SPARK PLUG (CR10EIA-9)	4	NGK OPT
17-5	09482-00555	SPARK PLUG (IU24D)	4	NGK OPT
17-6	09482-00559	SPARK PLUG (IU31D)	4	DENSO OPT
18	13101-17K00	PIPE, INTAKE	2	
19	09280-45004	.O RING (D:2.4,ID:44.7)	4	
20	13170-17K00	CLAMP	2	
21	02122-0616A	SCREW	6	
22	13650-49X00	SENSOR, WATER TEMPERATURE	1	
23	09168-12017	GASKET (12X17X1)	1	
24	09106-10069	BOLT (10X45)	2	

GSX-R1000AL7_E21

FIG.108A

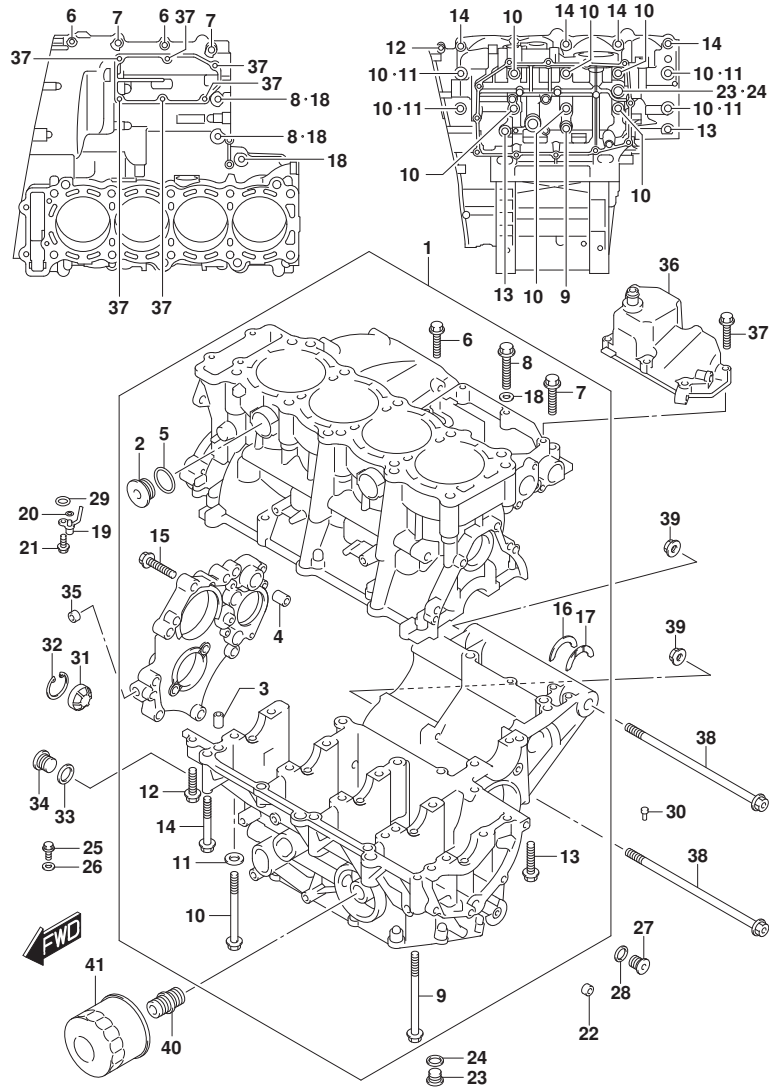
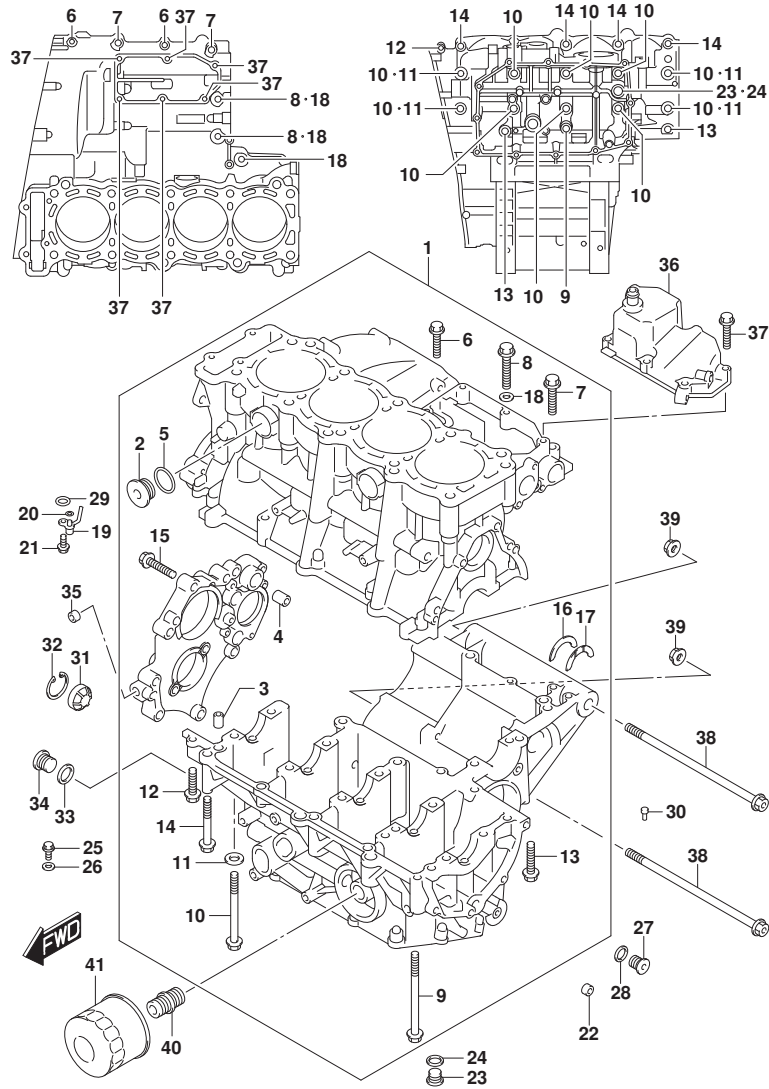


FIG.108A (1-B-5) CRANKCASE

REF NO.	PART NO.	DESCRIPTION	Q'TY	REMARKS
1	11301-17810	CRANKCASE SET	1	
2	11318-35F00	.PLUG, WATER JACKET	3	
3	11319-33E50	.PIN, CRANKCASE	3	
4	11319-33E50	.PIN, CRANKCASE	2	
5	09280-20002	.O RING (D:3.1,ID:19.4)	3	
6	01547-0635A	.BOLT	2	
7	01550-0840A	.BOLT	2	
8	01550-0850A	.BOLT	4	
9	09103-08134	.BOLT (8X110)	1	
10	09103-09012	.BOLT (9X95)	10	
11	09168-10031	.GASKET (10.2X20X2.3)	4	
12	01547-0635A	.BOLT	1	
13	01550-0840A	.BOLT	2	
14	01550-0865A	.BOLT	4	
15	07120-0835A	.BOLT	8	
16	12228-48B00-0E0	.BEARING, THRUST RH (GREEN)	1	
17-1	12228-48B00-0B0	.BEARING, THRUST LH (BROWN)	1	
17-2	12228-48B00-0C0	.BEARING, THRUST LH (RED)	1	
17-3	12228-48B00-0D0	.BEARING, THRUST LH (YELLOW)	1	
17-4	12228-48B00-0E0	.BEARING, THRUST LH (GREEN)	1	
17-5	12228-48B00-0F0	.BEARING, THRUST LH (BLUE)	1	
17-6	12228-48B00-0G0	.BEARING, THRUST LH (ORANGE)	1	
17-7	12228-48B00-0H0	.BEARING, THRUST LH (BLACK)	1	
18	09168-08016	GASKET (8.2X14X1)	2	
19	11390-17K00	JET, PISTON COOLING	4	
20	09280-04004	O RING (D:1.2,ID:4)	4	
21	09106-06075	BOLT (6X12)	4	
22	09246-05006	PLUG (1/8PT,H:8)	1	
23	09248-12004	PLUG (L:12)	1	
24	09168-12002	GASKET (12.1X16.2X3.7)	1	
25	01547-0612A	BOLT	1	
26	09168-06018	GASKET (6.2X13X1.2)	1	
27	09248-10010	PLUG (10X10)	2	
28	09168-10002	GASKET (10X14X3.6)	2	

FIG.108A



GSX-R1000AL7_E21_108A
CRANKCASE

FIG.108A (1-B-6) CRANKCASE

REF NO.	PART NO.	DESCRIPTION	Q'TY	REMARKS
29	09280-08012	O RING (D:1.9, ID:7.8)	1	
30	09493-28012	JET (140)	1	
31	11971-33210	LENS, OIL LEVEL	1	
32	08331-4130A	CIRCLIP	1	
33	09168-16002	GASKET (16X22X2)	2	
34	09248-16013	PLUG (16X12)	2	
35	09246-05006	PLUG (1/8PT, H:8)	1	
36	11380-17K00	COVER, BREATHER	1	
37	01547-0630A	BOLT	6	
38	09103-12078	BOLT (12X275)	2	
39	09159-12081	NUT	2	
40	16591-06B01	UNION, OIL FILTER STAND	1	
41	16510-07J00	FILTER ASSY, ENGINE OIL	1	

GSX-R1000AL7_E21

FIG.112A

FIG.112A (1-B-7) CRANKCASE COVER

REF NO.	PART NO.	DESCRIPTION	Q'TY	REMARKS
1	11341-17K00	COVER, CLUTCH	1	
2	11482-17K00	GASKET, CLUTCH COVER	1	
3	09103-06213	BOLT (6X30)	13	
4	09103-06215	BOLT (6X40)	1	
5	09168-06023	GASKET (5.8X13X1.2)	1	
6	04211-09189	PIN	2	
7	11971-25D00	PLUG, ENGINE OIL FILLER	1	
8	09280-17003	O RING (D:3.1,ID:16.8)	1	
9	09259-36021	PLUG (36X10)	1	
10	09280-33004	O RING (D:3.1,ID:32.7)	1	
11	11342-41G10	CAP, CLUTCH RELEASE ADJUST	1	
12	31156-17E00	O RING	1	
13	11351-17K01	COVER, MAGNETO	1	
14	11483-17K00	GASKET, MAGNETOCOVER	1	
15	09103-06213	BOLT (6X30)	7	
16	09103-06224	BOLT (6X45)	1	
17	04211-09149	PIN	2	
18	11360-17K00	COVER, ENGINE SPROCKET	1	
19	01550-0625B	BOLT	2	
20	11371-17K00	HOLDER, CLUTCH RELEASE	1	
21	01547-0645A	BOLT	1	
22	01547-0690A	BOLT	2	
23	04211-09149	PIN	2	

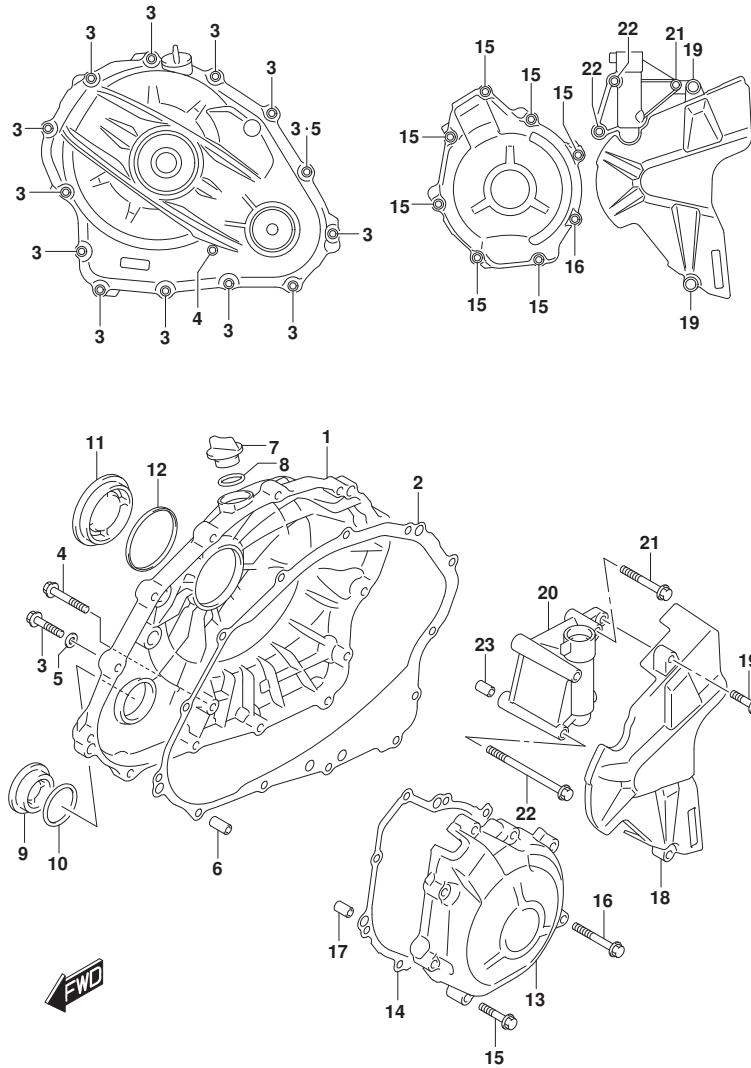


FIG.116A

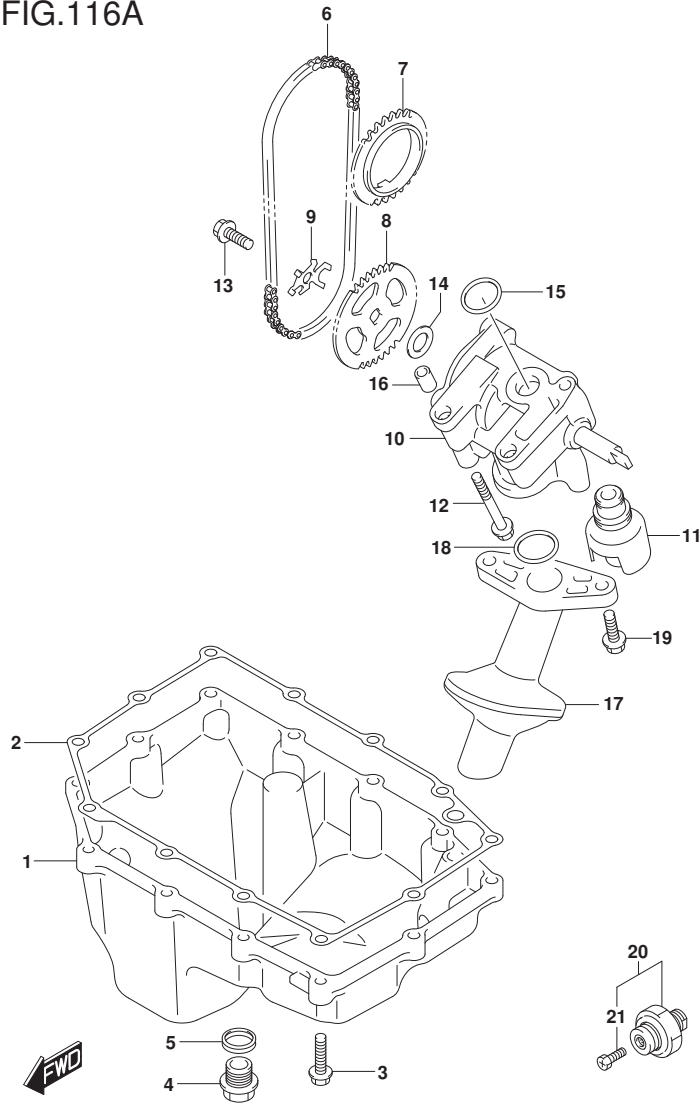


FIG.116A (1-B-8) OIL PAN/OIL PUMP

REF NO.	PART NO.	DESCRIPTION	Q'TY	REMARKS
1	11511-17K00	PAN, OIL	1	
2	11489-17K00	GASKET, OIL PAN	1	
3	01547-0625A	BOLT	12	
4	09247-14036	PLUG (14X20)	1	OIL DRAIN
5	09168-14002	GASKET (13.8X18.8X4.8)	1	
6	16310-47H00	CHAIN, OIL PUMP DRIVE	1	
7	16321-01H00	SPROCKET, DRIVE (NT:27)	1	
8	16331-17K00	SPROCKET, DRIVEN (NT:30)	1	
9	16332-17K00	RETAINER, OIL PUMP SPRKT BOLT	1	
10	16400-17K00	PUMP ASSY, OIL	1	
11	16440-17K00	VALVE ASSY, OIL RELIEF	1	
12	09103-06206	BOLT (6X50)	3	
13	09103-06523	BOLT	1	
14	09181-12158	SHIM (12X20X0.5)	1	
15	09280-15007	O RING (D:2.4,ID:15.8)	1	
16	04211-09149	PIN	2	
17	16520-17K00	STRAINER, ENGINE OIL	1	
18	09280-19008	O RING (D:2.62,ID:20.3)	1	
19	01550-0620A	BOLT	2	
20	37820-33D10	SWITCH ASSY, OIL PRESSURE	1	
21	37822-33D00	.BOLT	1	

FIG.120A

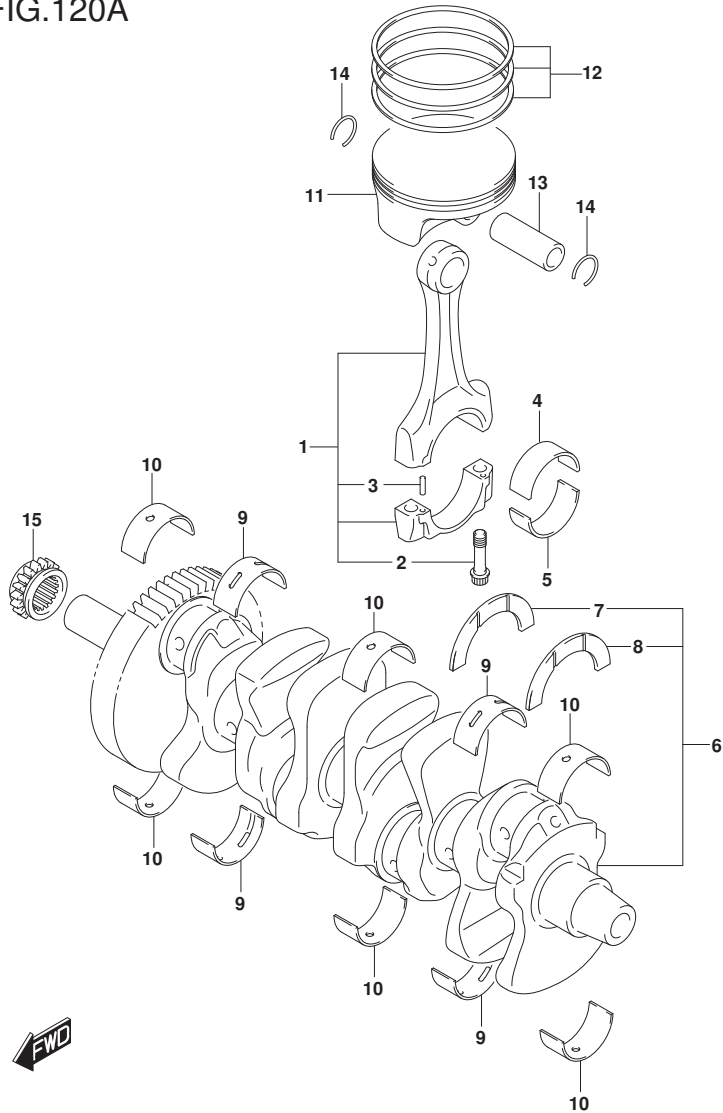


FIG.120A (1-B-9) CRANKSHAFT

REF NO.	PART NO.	DESCRIPTION	Q'TY	REMARKS
1	12160-17K00	ROD ASSY, CONNECTING	4	
2	12163-17K00	.BOLT	8	
3	04221-03059	.PIN	8	
4-1	12164-17K00-0A0	BEARING, CRANK PIN UPPER (GREEN)	4	
4-2	12164-17K00-0B0	BEARING, CRANK PIN UPPER (BLACK)	4	
4-3	12164-17K00-0C0	BEARING, CRANK PIN UPPER (BROWN)	4	
4-4	12164-17K00-0D0	BEARING, CRANK PIN UPPER (YELLOW)	4	
5-1	12164-17K10-0A0	BEARING, CRANK PIN LOWER (GREEN)	4	
5-2	12164-17K10-0B0	BEARING, CRANK PIN LOWER (BLACK)	4	
5-3	12164-17K10-0C0	BEARING, CRANK PIN LOWER (BROWN)	4	
5-4	12164-17K10-0D0	BEARING, CRANK PIN LOWER (YELLOW)	4	
6	12000-17860	CRANKSHAFT SET	1	
7	12228-48B00-0E0	.BEARING, THRUST RH (GREEN)	1	
8-1	12228-48B00-0B0	.BEARING, THRUST LH (BROWN)	1	
8-2	12228-48B00-0C0	.BEARING, THRUST LH (RED)	1	
8-3	12228-48B00-0D0	.BEARING, THRUST LH (YELLOW)	1	
8-4	12228-48B00-0E0	.BEARING, THRUST LH (GREEN)	1	
8-5	12228-48B00-0F0	.BEARING, THRUST LH (BLUE)	1	
8-6	12228-48B00-0G0	.BEARING, THRUST LH (ORANGE)	1	
8-7	12228-48B00-0H0	.BEARING, THRUST LH (BLACK)	1	
9-1	12229-17K00-0A0	BEARING, CRANKSHAFT (GREEN)	4	
9-2	12229-17K00-0B0	BEARING, CRANKSHAFT (BLACK)	4	
9-3	12229-17K00-0C0	BEARING, CRANKSHAFT (BROWN)	4	
9-4	12229-17K00-0D0	BEARING, CRANKSHAFT (YELLOW)	4	
9-5	12229-17K00-0E0	BEARING, CRANKSHAFT (BLUE)	4	
10-1	12229-17K10-0A0	BEARING, CRANKSHAFT (GREEN)	6	
10-2	12229-17K10-0B0	BEARING, CRANKSHAFT (BLACK)	6	
10-3	12229-17K10-0C0	BEARING, CRANKSHAFT (BROWN)	6	
10-4	12229-17K10-0D0	BEARING, CRANKSHAFT (YELLOW)	6	
10-5	12229-17K10-0E0	BEARING, CRANKSHAFT (BLUE)	6	

FIG.120A

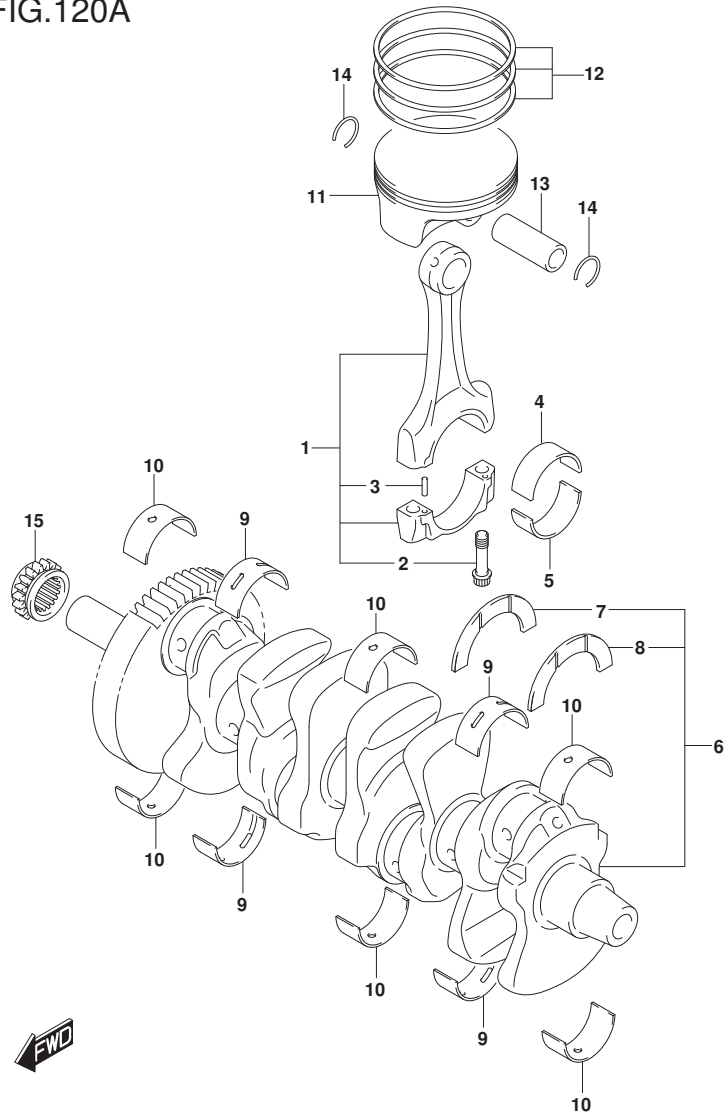


FIG.120A (1-B-10) CRANKSHAFT

REF NO.	PART NO.	DESCRIPTION	Q'TY	REMARKS
11	12111-17K00-0F0	PISTON	4	
12	12140-17K00	RING SET, PISTON	4	
13	12151-17K00	PIN, PISTON	4	
14	12152-17K00	CIRCLIP	8	
15	12731-47H00	SPROCKET, CAM CHAIN (NT:17)	1	

FIG.122A

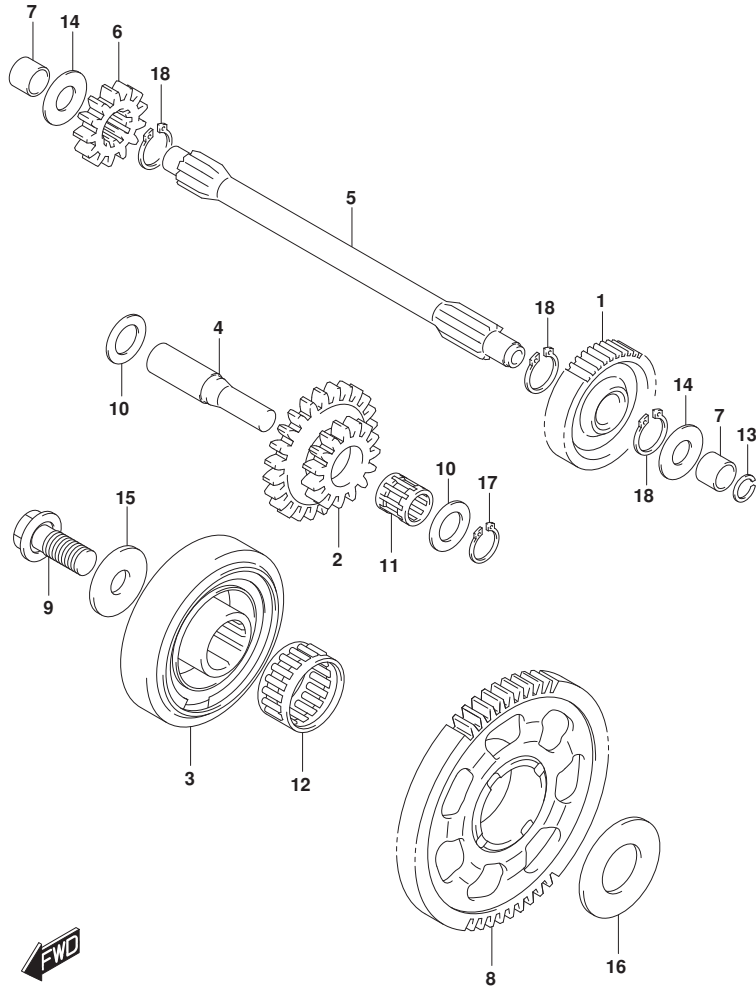


FIG.122A (1-B-11) STARTER CLUTCH

REF NO.	PART NO.	DESCRIPTION	Q'TY	REMARKS
1	12611-17K00	GEAR, STARTER IDLE NO.1 (NT:45)	1	
2	12612-47H00	GEAR, STARTER IDLE NO.2 (NT:15/24)	1	
3	12614-17K00	CLUTCH , STARTER ONE WAY	1	
4	12615-17K00	PIN, STARTER IDLE GEAR NO.2	1	
5	12616-17K00	SHAFT, STARTER IDLE GEAR NO.1	1	
6	12617-47H00	GEAR, LIMITER DRIVEN (NT:13)	1	
7	12618-31G00	BUSH	2	
8	12622-17K00	GEAR, STATER CLUTCH (NT:49)	1	
9	09103-10189	BOLT (10X23)	1	
10	09181-12167	SHIM (12X20X1)	2	
11	09263-12023	BEARING (12X16X16)	1	
12	09263-26035	BEARING (26X31X16)	1	
13	09380-09003	CIRCLIP	1	
14	08211-10221	WASHER	2	
15	08211-10285	WASHER	1	
16	08211-20403	WASHER	1	
17	08331-3112A	CIRCLIP	1	
18	08331-3115A	CIRCLIP	3	

FIG.126A

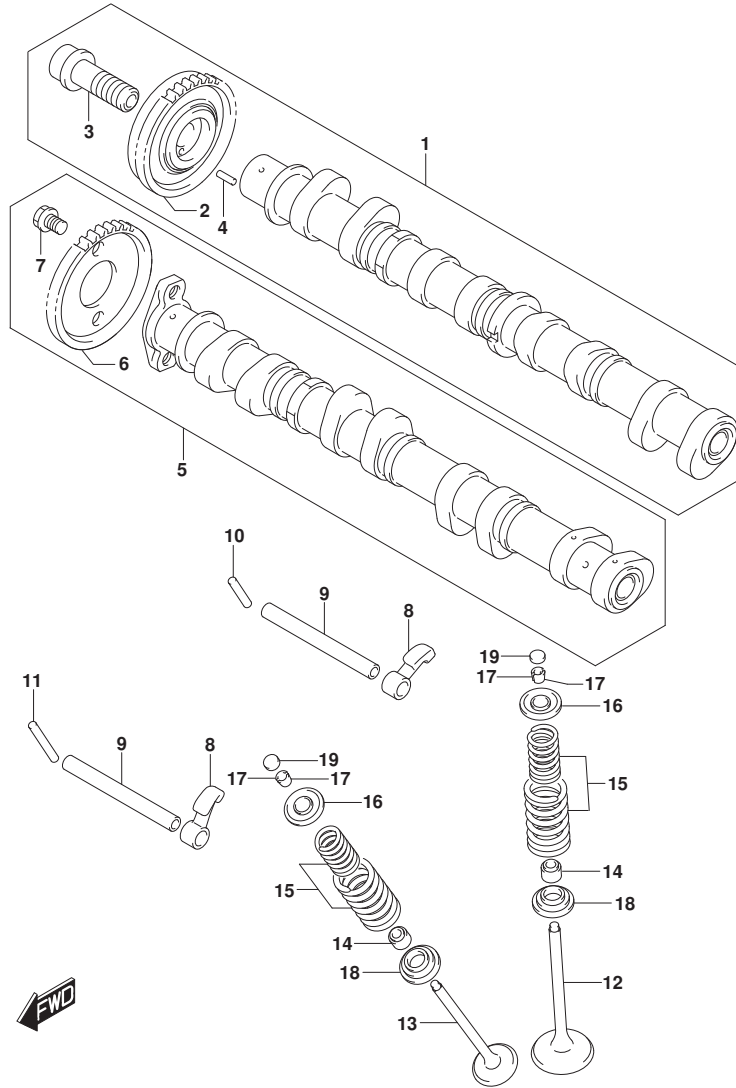


FIG.126A (1-B-12) CAMSHAFT/VALVE

REF NO.	PART NO.	DESCRIPTION	Q'TY	REMARKS
1	12710-17K00	CAMSHAFT, INTAKE	1	
2	12740-17K00	.SPROCKET, CAMSHAFT INTAKE	1	
3	12746-17K00	.BOLT, SPROCKET INTAKE	1	
4	09261-03020	.PIN (3X8)	1	
5	12720-17K00	CAMSHAFT, EXHAUST	1	
6	12751-17K00	.SPROCKET, CAMSHAFT EXHAUST	1	
7	09103-07003	.BOLT (7X10)	2	
8	12841-17K00	ARM, VALVE ROCKER	16	
9	12861-17K00	SHAFT, VALVE ROCKER ARM	8	
10	09261-04005	ROLLER (4X23.8)	1	
11	12872-17K00	PIN, ROCKER ARM SHAFT EXHAUST	1	
12	12911-17K00	VALVE, INTAKE	8	
13	12912-17K00	VALVE, EXHAUST	8	
14	12919-17K00	SEAL, VALVE STEM OIL	16	
15	12920-17K10	SPRING, VALVE	16	
16	12931-17K01	RETAINER, VALVE SPRING	16	
17	12932-32C00	COTTER, VALVE	32	
18	12933-47H00	SEAT, VALVE SPRING	16	
19-1	12892-05C00-170	SHIM, TAPPET (T:1.70)	16	
19-2	12892-05C00-175	SHIM, TAPPET (T:1.75)	16	
19-3	12892-05C00-180	SHIM, TAPPET (T:1.80)	16	
19-4	12892-05C00-185	SHIM, TAPPET (T:1.85)	16	
19-5	12892-05C00-190	SHIM, TAPPET (T:1.90)	16	
19-6	12892-05C00-195	SHIM, TAPPET (T:1.95)	16	
19-7	12892-05C00-200	SHIM, TAPPET (T:2.00)	16	
19-8	12892-05C00-205	SHIM, TAPPET (T:2.05)	16	
19-9	12892-05C00-210	SHIM, TAPPET (T:2.10)	16	
19-10	12892-05C00-215	SHIM, TAPPET (T:2.15)	16	
19-11	12892-05C00-220	SHIM, TAPPET (T:2.20)	16	
19-12	12892-05C00-225	SHIM, TAPPET (T:2.25)	16	
19-13	12892-05C00-230	SHIM, TAPPET (T:2.30)	16	
19-14	12892-05C00-235	SHIM, TAPPET (T:2.35)	16	
19-15	12892-05C00-240	SHIM, TAPPET (T:2.40)	16	
19-16	12892-05C00-245	SHIM, TAPPET (T:2.45)	16	
19-17	12892-05C00-250	SHIM, TAPPET (T:2.50)	16	
19-18	12892-05C00-255	SHIM, TAPPET (T:2.55)	16	
19-19	12892-05C00-260	SHIM, TAPPET (T:2.60)	16	
19-20	12892-05C00-265	SHIM, TAPPET (T:2.65)	16	
19-21	12892-05C00-270	SHIM, TAPPET (T:2.70)	16	

FIG.126A

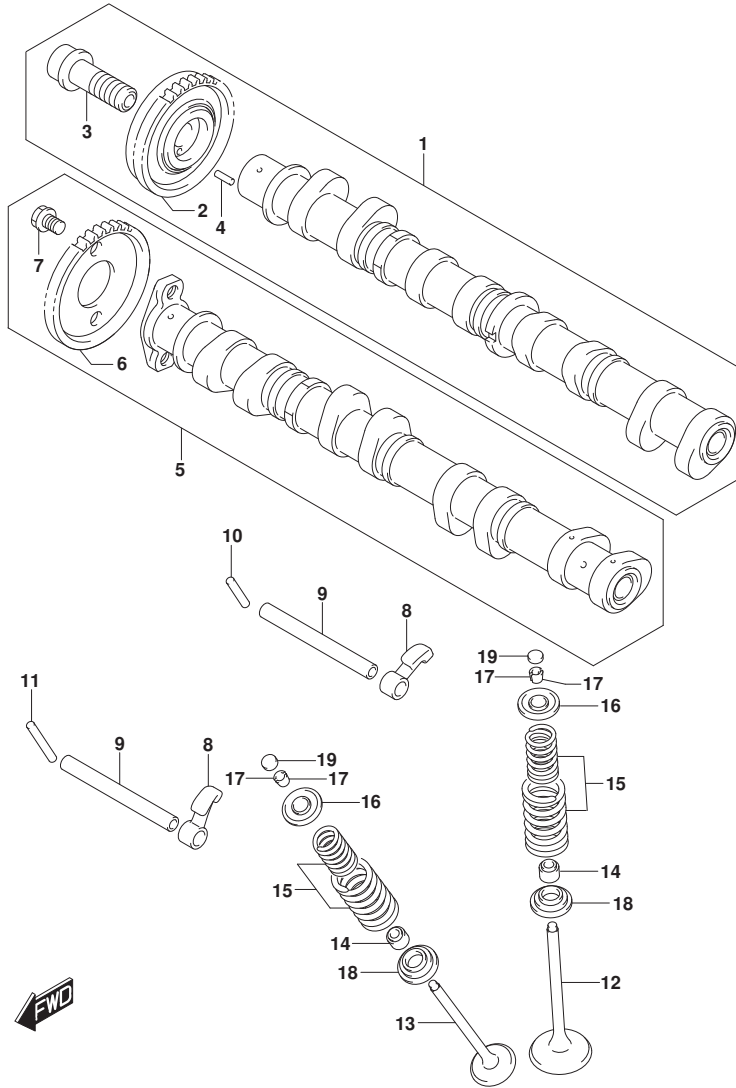


FIG.126A (1-B-13) CAMSHAFT/VALVE

REF NO.	PART NO.	DESCRIPTION	Q'TY	REMARKS
20	12800-05830	SHIM SET, TAPPET INC.REF.NO.14-1 TO 14-21 (5PCS.EACH) & NO.16	1	OPT NOT ILLUSTRATED
21	99000-69491	.CASE, TAPPET SHIM	1	OPT NOT ILLUSTRATED

FIG.127A

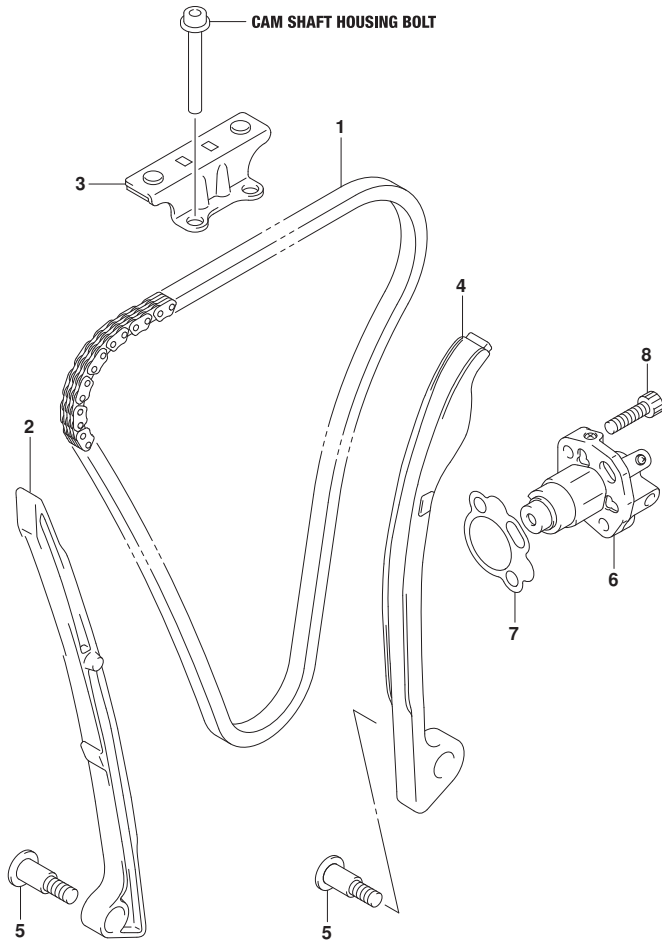


FIG.127A (1-B-14) CAM CHAIN

REF NO.	PART NO.	DESCRIPTION	QTY	REMARKS
1	12760-40F01	CHAIN, CAM SHAFT DRIVE	1	
2	12771-17K00	GUIDE, CAM CHAIN NO.1	1	
3	12782-35F10	GUIDE, CAM CHAIN NO.2	1	
4	12811-17K00	TENSIONER, CAM CHAIN	1	
5	12812-31G00	BOLT	2	
6	12830-15H10	ADJUSTER ASSY, TENSIONER	1	
7	12837-02H00	GASKET, ADJUSTER	1	
8	07130-0625A	BOLT	2	

FIG.140A

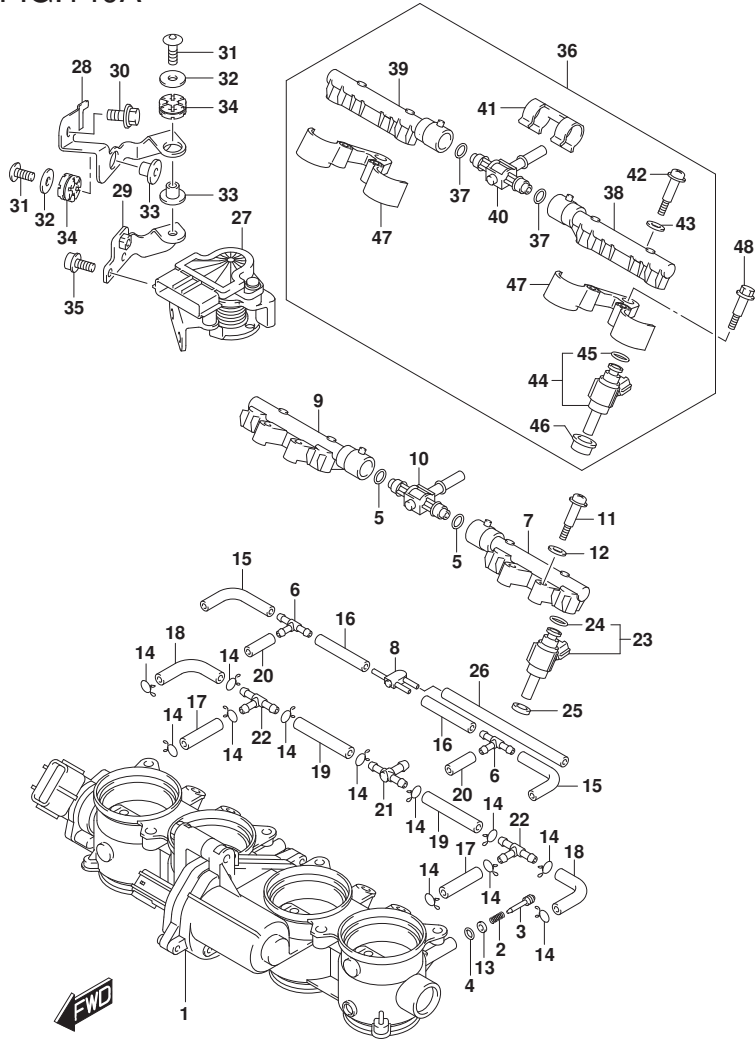


FIG.140A (1-B-15) THROTTLE BODY

REF NO.	PART NO.	DESCRIPTION	Q'TY	REMARKS
1	13405-17K10	BODY ASSY, THROTTLE	1	
2	13268-48700	.SPRING, THROTTLE SCREW	4	
3	13269-33E00	.SCREW	4	
4	13295-29900	.O RING	4	
5	13374-32G00	.O RING	2	
6	13685-02FA0	.3WAY, VACUUM HOSE	2	
7	13471-17K00	.DELIVERY PIPE	1	
8	13471-18H00	.JOINT	1	
9	13472-17K00	.DELIVERY PIPE	1	
10	13473-17K00	.NIPPLE ASSY	1	
11	13601-29G00	.SCREW	4	
12	13602-29G00	.PACKING	4	
13	13606-47A00	.WASHER	4	
14	13671-29G00	.CLIP	12	
15	13681-39F00-060	.HOSE (3.2X7.4X60)	2	
16	13683-10F60	.HOSE (L:425)	2	L:425->50
17	13683-04K10	.HOSE (8.5X4.5X30)	2	
18	13683-17K00	.HOSE	2	
19	13683-17K10	.HOSE	2	
20	13683-10F60	.HOSE (L:425)	2	L:425->25
21	13685-29G00	.NIPPLE	1	
22	13685-38420	.NIPPLE	2	
23	15710-04K00	.INJECTOR ASSY	4	
24	15717-58B00	.O RING	4	
25	15722-14J00	.SEAL	4	
26	09355-30705-600	.HOSE (3X7X600)	1	L:600->135
27	13500-17K00	BODY ASSY, ACCELERATOR	1	
28	13571-17K00	BRACKET, ACCEL SENSOR NO.1	1	
29	13572-17K00	BRACKET, ACCEL SENSOR NO.2	1	
30	09116-06197	BOLT (6X12)	1	
31	09139-06208	BOLT	2	
32	09160-06088	WASHER (6.5X20X1.6)	2	
33	09180-06319	SPACER (6.5X10X11.6)	2	

FIG.140A

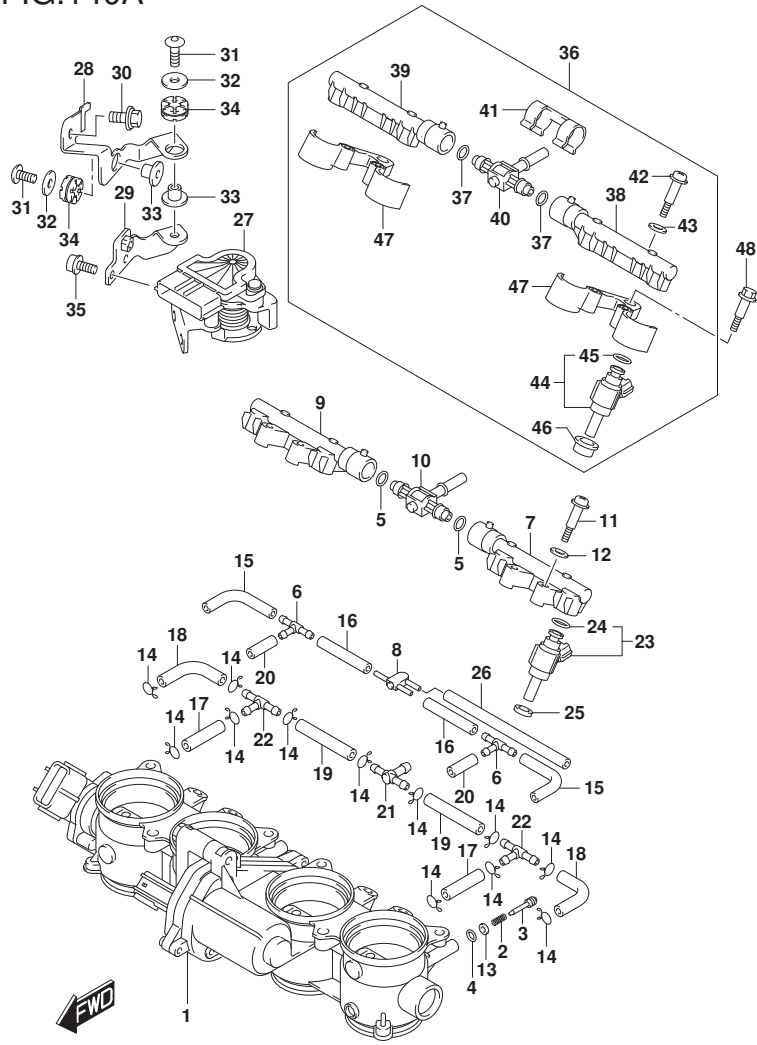


FIG.140A (1-C-2) THROTTLE BODY

REF NO.	PART NO.	DESCRIPTION	Q'TY	REMARKS
34	09320-10055	CUSHION	2	
35	07120-0612B	BOLT	2	
36	15900-17K00	BODY ASSY, 2ND INJECTOR	1	
37	13374-32G00	.O RING	2	
38	13471-17K00	.DELIVERY PIPE	1	
39	13472-17K00	.DELIVERY PIPE	1	
40	13473-17K00	.NIPPLE ASSY	1	
41	13474-17K00	.CLIP	1	
42	13601-29G00	.SCREW	4	
43	13602-29G00	.PACKING	4	
44	15710-17K10	.INJECTOR ASSY	4	
45	15717-58B00	.O RING	4	
46	15722-17K00	.INSULATOR	4	
47	15910-17K00	.BRACKET, 2ND INJECTOR	2	
48	09111-06250	BOLT	2	

FIG.155A

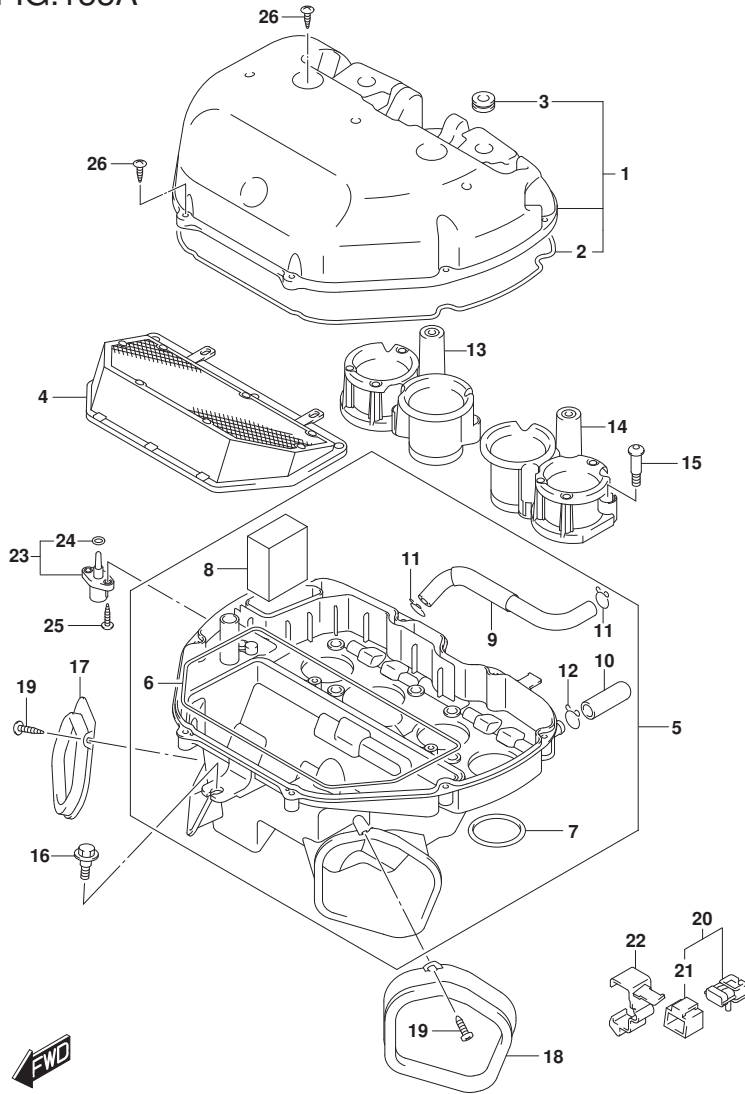


FIG.155A (1-C-3) AIR CLEANER

REF NO.	PART NO.	DESCRIPTION	Q'TY	REMARKS
1	13740-17K00	CAP, AIR CLEANER	1	
2	13746-35F00	.GASKET, CAP	1	
3	15911-17K00	INSULATOR, INJECTOR	2	
4	13780-17K00	FILTER ASSY	1	
5	13720-17K00	CASE, AIR CLEANER	1	
6	13756-17K00	.GASKET CASE A	4	
7	13757-17K00	.GASKET CASE B	4	
8	13788-17K00	.FILTER, BREATHER	1	
9	13853-17K00	.TUBE, BREATHER	1	
10	13878-09F00	.PLUG, DRAIN	1	
11	09401-14101	.CLIP	2	
12	09401-14101	.CLIP	1	
13	13880-17K00	FUNNEL, OUTLET RH	1	
14	13880-17K10	FUNNEL, OUTLET LH	1	
15	13831-47H00	BOLT	6	
16	09111-06089	BOLT (6X16)	1	
17	13820-17K00	PLATE, CLEANER DUCT RH	1	
18	13820-17K10	PLATE, CLEANER DUCT LH	1	
19	03511-0412A	SCREW	2	
20	15630-29G40	SENSOR, BOOST	2	
21	15625-29G40	.COVER	2	
22	15632-17K00	HOLDER, BOOST SENSOR	1	
23	13650-14G10	SENSOR, AIR TEMPERATURE	1	
24	13655-14G10	.O RING	1	
25	03511-0516A	SCREW	2	
26	03541-0525A	SCREW	10	



FIG.163A

FIG.163A (1-C-4) MUFFLER

REF NO.	PART NO.	DESCRIPTION	Q'TY	REMARKS
1	14100-17K00	EXHAUST	1	
2	14181-04K00	GASKET, EXHAUST PIPE	4	
3	14280-17K00	COVER, EXHAUST VALVE	1	
4	09118-08152-A05	BOLT (8X45)	1	
5	09119-06105	BOLT	1	
6	09159-06100	NUT	3	
7	09180-08152	SPACER (8.6X12X24.2)	1	
8	09320-12077	CUSHION	1	
9	07130-0825A	BOLT	8	
10	14310-17KA0	BODY, MUFFLER	1	
11	14459-17K00	CLAMP	1	
12	14771-24F01	CONNECTOR	1	
13	09106-08162	BOLT (8X40)	1	
14	09106-08164	BOLT (8X45)	1	
15	09160-08142	WASHER (8.5X28X1.5)	1	
16	09180-08152	SPACER (8.6X12X24.2)	1	
17	09320-12048	CUSHION	1	
18	08361-2508A	NUT	1	
19	11269-18G01	PULLEY, CONTROLLER	1	
20	11276-17K00	CABLE, EXH VALVE NO.1	1	
21	11277-17K00	CABLE, EXH VALVE NO.2	1	
22	11278-17K00	CABLE, EXH VALVE NO.3	1	
23	14250-21H00	BRACKET, EXHAUST VALVE CABLE	1	
24	14252-14J00	GUIDE, EXHAUST VALVE CABLE	1	
25	09403-06414	CLAMP	1	
26	09404-06429	CLAMP (L:45)	1	
27	01547-0516A	BOLT	1	
28	01547-0612A	BOLT	1	
29	08316-1006A	NUT	1	
30	14780-17K00	COVER, MUFFLER	1	
31	14795-10FA0	GROMMET	1	
32	09139-06124	SCREW (6X12)	1	
33	09320-08066	CUSHION	1	
34	18213-17K00	SENSOR, OXYGEN	1	

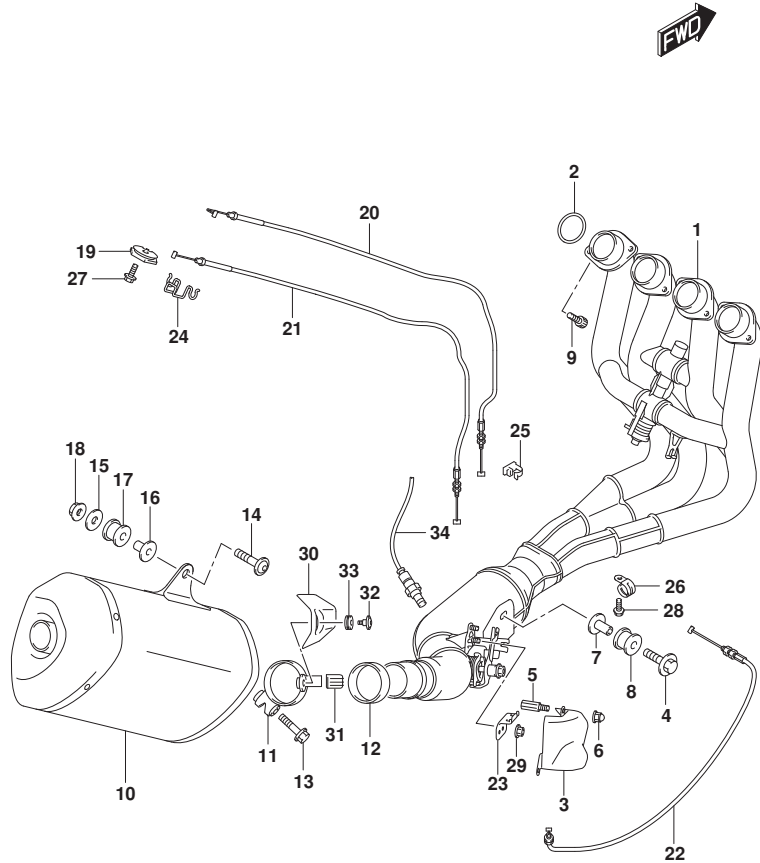


FIG.172A

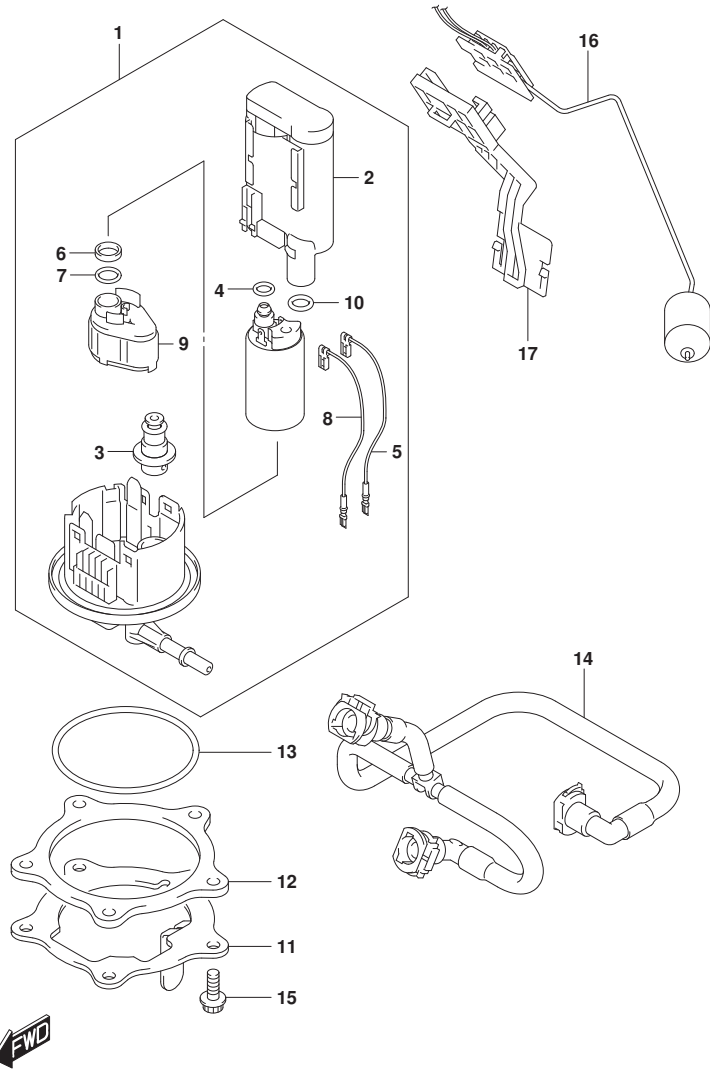


FIG.172A (1-C-5) FUEL PUMP

REF NO.	PART NO.	DESCRIPTION	Q'TY	REMARKS
1	15100-17K50	PUMP ASSY, FUEL	1	
2	15310-17K00	.FILTER	1	
3	15610-17K50	.REGULATOR	1	
4	15113-05H00	.O RING	1	
5	15114-17K00	.WIRE, EARTH	1	BLACK
6	15116-17K00	.COLLAR	1	
7	15113-17K00	.O RING	1	
8	15115-17K00	.WIRE, LEAD	1	BLUE
9	15420-17K00	.STRAINER	1	
10	15113-35F00	.O RING	1	
11	15120-17K00	PLATE, FUEL PUMP OUTER	1	
12	15122-17K00	PLATE, FUEL PUMP INNER	1	
13	15201-17K01	O RING, FUEL PUMP	1	
14	15810-17K00	HOSE, FUEL	1	
15	07120-0616A	BOLT	5	
16	34810-17K10	GAUGE ASSY, FUEL LEVEL SENDER	1	
17	34815-17K10	ATTACHMENT, FUEL LEVEL GAUGE	1	

FIG.178A

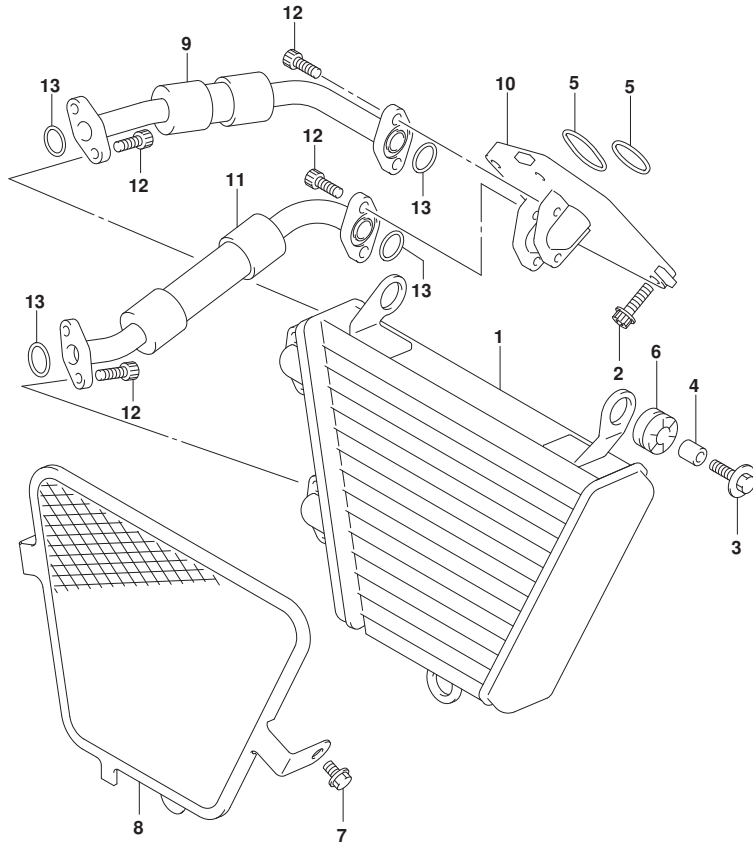


FIG.178A (1-C-6) OIL COOLER

REF NO.	PART NO.	DESCRIPTION	Q'TY	REMARKS
1	16600-47H20	COOLER ASSY, OIL	1	
2	09116-06514	BOLT	4	
3	09118-06122	BOLT (6X25)	3	
4	09180-06290	SPACER (6.5X10X12)	3	
5	09280-33006	O RING	2	
6	09320-10051	CUSHION	3	
7	01550-0610A	BOLT	2	
8	16650-47H20	GUARD, OIL COOLER	1	
9	16460-17K00	HOSE, OIL COOLER INLET	1	
10	16469-17K00	PLATE, OIL HOSE	1	
11	16470-17K00	HOSE, OIL COOLER OUTLET	1	
12	09106-06073	BOLT (6X16)	8	
13	09280-15015	O RING (D:2.4, ID:16)	4	



FIG.180A

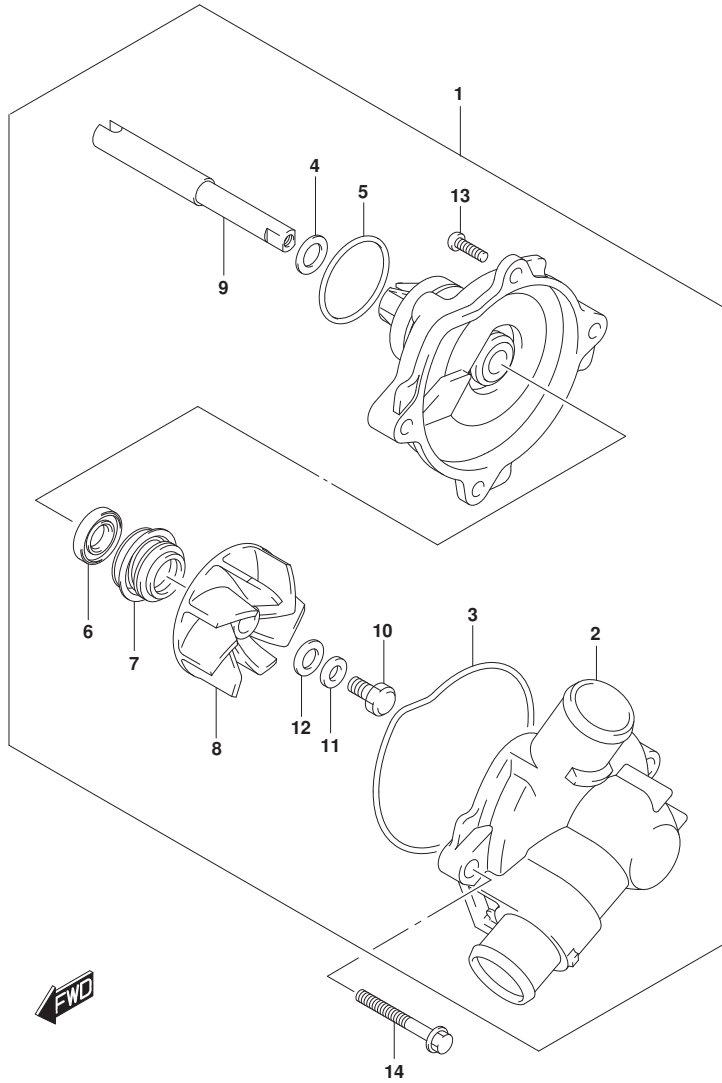


FIG.180A (1-C-7) WATER PUMP

REF NO.	PART NO.	DESCRIPTION	QTY	REMARKS
1	17400-17K00	PUMP ASSY, WATER	1	
2	17410-17K00	.CASE	1	
3	17418-33400	.O RING	1	
4	17432-07G00	.WASHER	1	
5	17435-33400	.O RING	1	
6	17461-01H00	.SEAL, OIL	1	
7	17470-02F10	.SEAL, MECHANICAL	1	
8	17491-17K00	.IMPELLER	1	
9	17511-47H00	.SHAFT	1	
10	09100-06099	.BOLT (6X13)	1	
11	09164-06006	.WASHER	1	
12	09168-06025	.GASKET (6X15X2.2)	1	
13	02112-0616A	.SCREW	2	
14	01547-0635A	BOLT	2	

FIG.185A

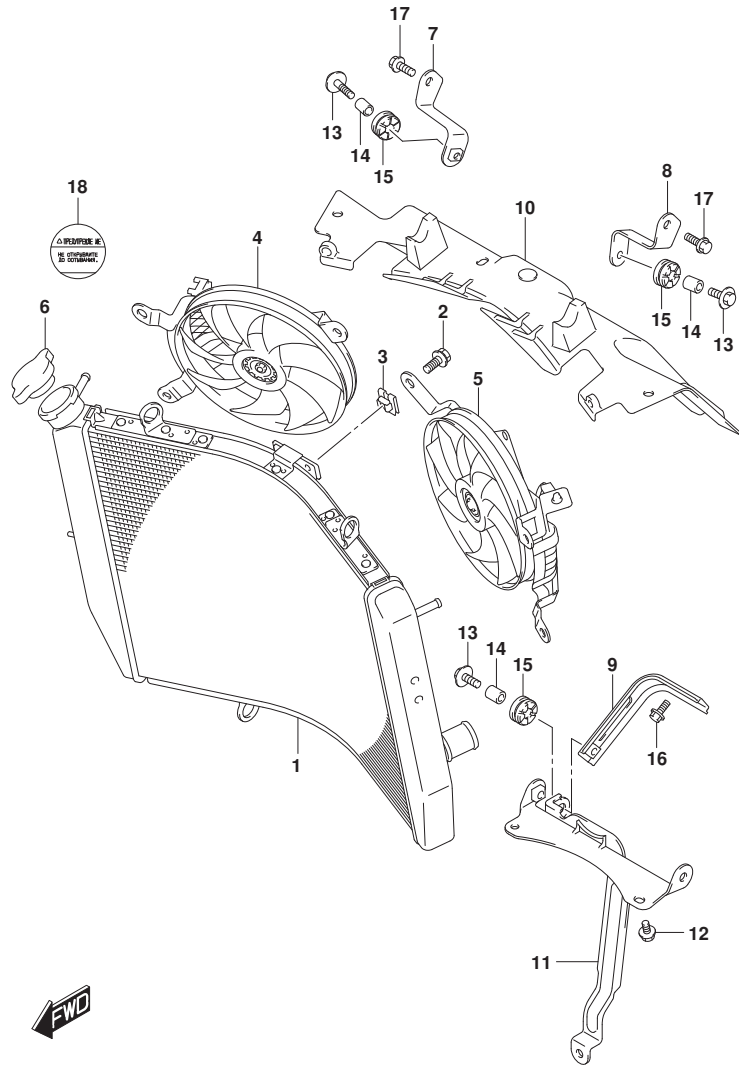


FIG.185A (1-C-8) RADIATOR

REF NO.	PART NO.	DESCRIPTION	Q'TY	REMARKS
1	17710-17K00	RADIATOR ASSY, WATER	1	
2	17711-08J00	BOLT	6	
3	17712-40F00	NUT	2	
4	17810-17K00	FAN ASSY, RADIATOR RH	1	
5	17820-17K00	FAN ASSY, RADIATOR LH	1	
6	17730-08J00	CAP	1	
7	17741-17K00	BRACKET, RADIATOR RH	1	
8	17742-17K00	BRACKET, RADIATOR LH	1	
9	17750-17K00	BRACKET, RADIATOR LOWER RH	1	
10	17771-17K00	SHIELD, RADIATOR HEAT	1	
11	17790-17K00	BRACKET, RADIATOR SUPPORT	1	
12	09103-06307	BOLT (6X10)	2	
13	09118-06097	BOLT (6X25)	3	
14	09180-06290	SPACER (6.5X10X12)	3	
15	09320-10051	CUSHION	3	
16	01550-0612A	BOLT	1	
17	01550-0616A	BOLT	2	
18	17995-14JP0	LABEL, RADIATOR CAP (RUSSIAN)	1	

FIG.187A

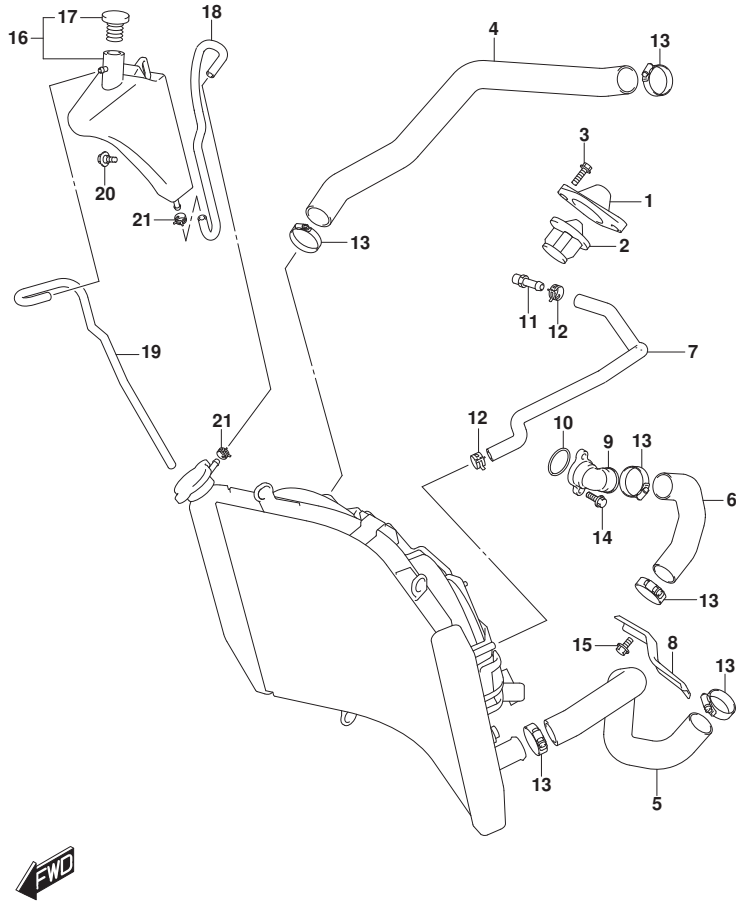


FIG.187A (1-C-9) RADIATOR HOSE

REF NO.	PART NO.	DESCRIPTION	Q'TY	REMARKS
1	17661-37H00	COVER, THERMOSTAT	1	
2	17670-06G60	THERMOSTAT, WATER	1	
3	01547-0620A	BOLT	2	
4	17851-17K00	HOSE, RADIATOR INLET	1	
5	17852-17K00	HOSE, RADIATOR OUTLET	1	
6	17853-17K00	HOSE, CYLINDER INLET	1	
7	17854-17K00	HOSE, WATER BYPASS	1	
8	17859-17K00	BRACKET, HOSE GUIDE	1	
9	17861-17K00	CONNECTOR, CYLINDER INLET	1	
10	09280-28005	O RING (D:2.4, ID:27.7)	1	
11	09362-09011	UNION	1	
12	09401-12414	CLIP	2	
13	09402-35501	CLAMP	6	
14	01547-0616A	BOLT	2	
15	01550-0612A	BOLT	1	
16	17910-17K00	TANK ASSY, RESERVOIR	1	
17	17931-31J00	.CAP	1	
18	17981-17K00	HOSE, RESERVOIR TANK INLET	1	
19	17982-47H10	HOSE, OVER FLOW	1	
20	09111-06085	BOLT (6X12)	1	
21	09401-08411	CLIP	2	

FIG.189A

FIG.189A (1-C-10) 2ND AIR

REF NO.	PART NO.	DESCRIPTION	Q'TY	REMARKS
1	18450-35F50	VALVE ASSY, 2ND AIR REED	2	
2	18461-47H00	HOSE, 2ND AIR VALVE, RH	1	
3	18471-47H00	HOSE, 2ND AIR VALVE, LH	1	
4	18510-29G70	VALVE ASSY, AIR CUT	1	
5	18531-35F30	COVER, 2ND AIR REED VALVE	2	
6	18711-17K00	HOSE, 2ND AIR CLEANER	1	
7	09401-17201	CLIP	6	
8	01547-0620A	BOLT	4	

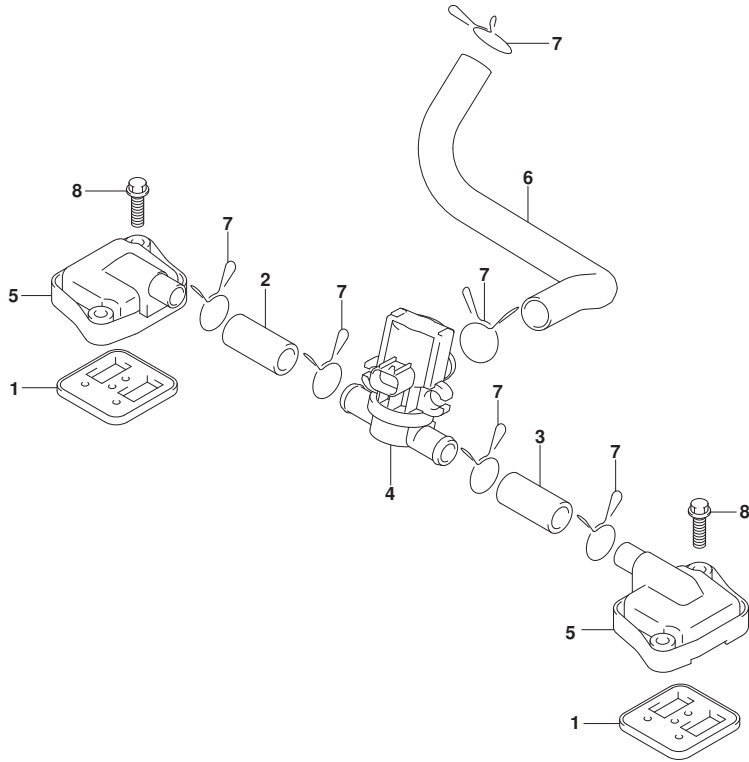
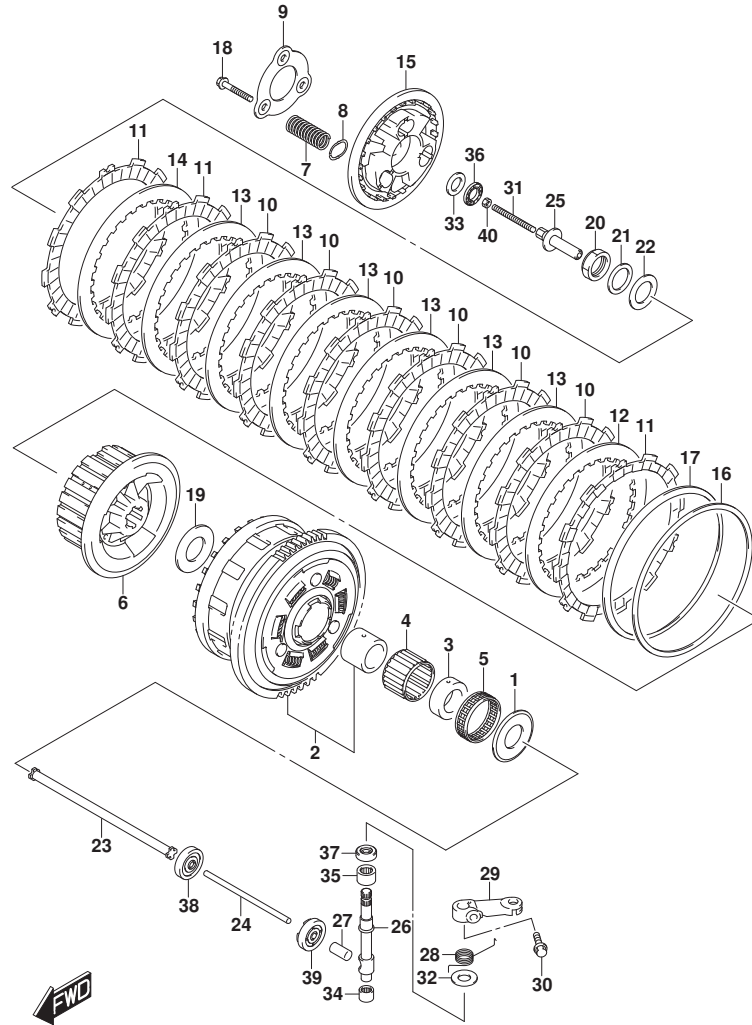


FIG.201A



GSX-R1000AL7_E21_201A
CLUTCH

FIG.201A (1-C-11) CLUTCH

REF NO.	PART NO.	DESCRIPTION	Q'TY	REMARKS
1	21222-17K00	WASHER, PRI DRIVEN GEAR THR	1	
2	21200-17880	GEAR ASSY, PRIMARY DRIVEN	1	
3	21253-01H10	SPACER, OIL PUMP DRIVE SPROCKET	1	
4	09263-35015	BEARING (35X40X26.8)	1	
5	09263-35045	BEARING (35X40X12)	1	
6	21411-17K00	HUB, CLUTCH SLEEVE	1	
7	21413-17K00	SPRING, CLUTCH	3	
8	21415-17K00	SEAT, CLUTCH SPRING	3	
9	21414-17K00	PLATE, STOPPER	1	
10	21441-42F20	PLATE, CLUTCH DRIVE NO.1	6	T:3.3
11	21442-42F10	PLATE, CLUTCH DRIVE NO.2	3	T:3.3
12	21451-47H10	PLATE, CLUTCH DRIVEN NO.2	1	T:2.3
13	21451-47H30	PLATE, CLUTCH DRIVEN NO.1	6	T:2.3
14	21451-47H50	PLATE, CLUTCH DRIVEN NO.4	1	T:2.6
15	21462-17K00	DISC, CLUTCH PRESSURE	1	
16	21471-02F20	SEAT, WAVE WASHER	1	
17	21472-02F20	WASHER, CLUTCH PLATE WAVE	1	
18	21482-17K00	BOLT, CLUTCH SPRING	3	
19	09160-25056	WASHER (25X50X2.5)	1	
20	09159-24010	NUT	1	
21	09164-24008	WASHER	1	
22	09181-25223	SHIM (25X38X1)	1	
23	23110-27A00	ROD, CLUTCH	1	
24	23111-26D00	ROD, CLUTCH PUSH, LH	1	
25	23121-41G30	PIECE, CLUTCH PUSH	1	
26	23122-41G00	CAMSHAFT, CLUTCH RELEASE	1	
27	23123-41G00	CAP, CLUTCH PUSH ROD	1	
28	23125-41G00	SPRING, CLUTCH RELEASE RETURN	1	
29	23271-41G50	ARM, CLUTCH RELEASE	1	
30	09103-06223	BOLT (6X20)	1	
31	09134-06015	SCREW (6X73)	1	
32	09160-10020	WASHER (10.5X24X1)	1	

GSX-R1000AL7_E21

FIG.201A

FIG.201A (1-C-12) CLUTCH

REF NO.	PART NO.	DESCRIPTION	Q'TY	REMARKS
33	09160-15045	WASHER (15.5X28X1)	1	
34	09263-10014	BEARING (10X14X10)	1	
35	09263-12027	BEARING (12X18X12)	1	
36	09263-15003	BEARING (15X28X2)	1	
37	09282-10012	OIL SEAL (10X20X6)	1	
38	09283-06013	OIL SEAL	1	
39	09285-10004	OIL SEAL (10X17X5)	1	
40	08310-0006A	NUT	1	

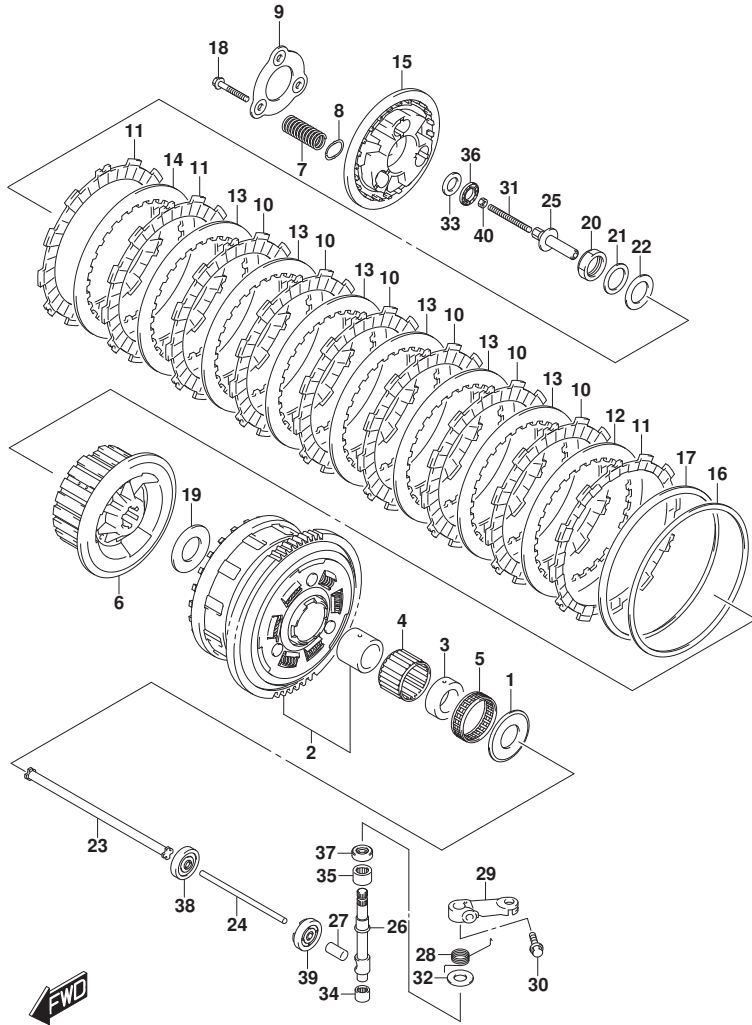


FIG.206A

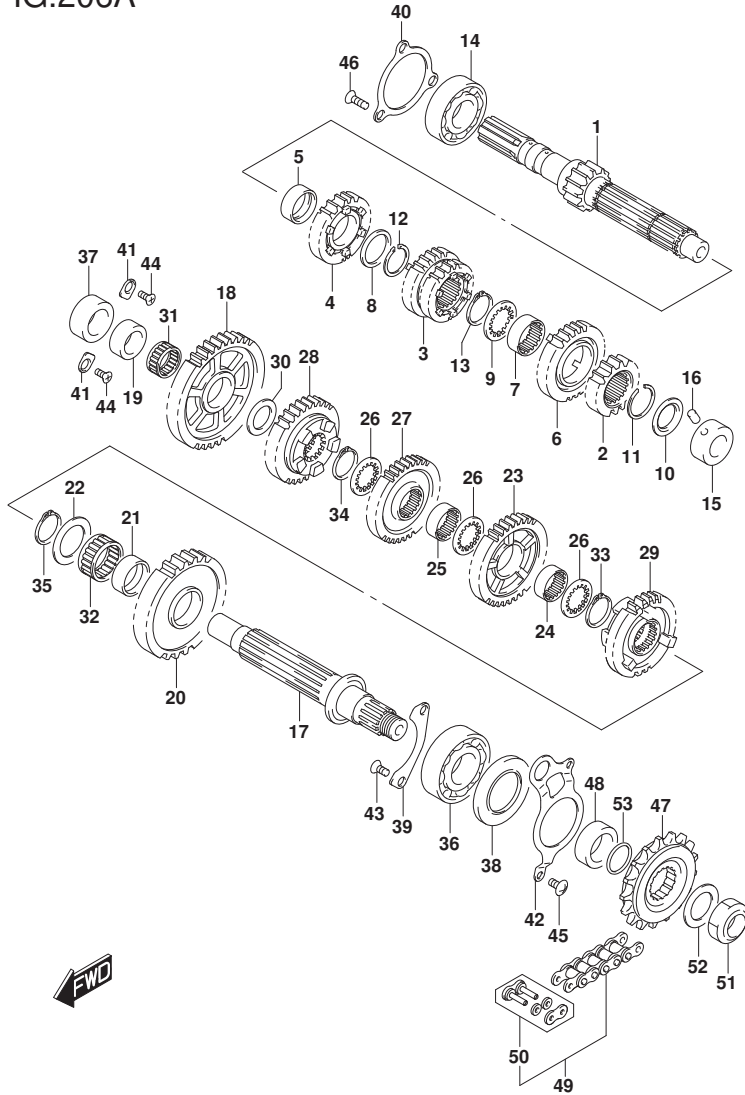


FIG.206A (1-C-13) TRANSMISSION

REF NO.	PART NO.	DESCRIPTION	Q'TY	REMARKS
1	24120-17K00	SHAFT, CNTR (NT:16)	1	
2	24221-40F30	GEAR, 2ND DRIVE (NT:19)	1	
3	24231-47H10	GEAR, 3RD & 4TH DRIVE (NT:21/24)	1	
4	24251-47H20	GEAR, 5TH DRIVE (NT:25)	1	
5	24252-24F20	BUSH, 5TH DRIVE GEAR	1	
6	24261-47H20	GEAR, 6TH DRIVE (NT:26)	1	
7	24262-24F20	BUSH, 6TH DRIVE GEAR	1	
8	09160-27008	WASHER (27X36X1)	1	
9	09167-27001	LOCK WASHER	1	
10	09285-20006	OIL SEAL (20X31.2X2.7)	1	
11	09380-27004	CIRCLIP	1	
12	09380-27006	CIRCLIP	1	
13	09380-27006	CIRCLIP	1	
14	09262-25001	BEARING	1	RH
15	09263-20114	BEARING	1	LH
16	04221-07129	PIN	1	
17	24131-17K00	SHAFT, DRIVE	1	
18	24311-47H00	GEAR, 1ST DRIVEN (NT:41)	1	
19	24315-17K00	SPACER, 1ST DRIVEN GEAR	1	
20	24321-17K00	GEAR, 2ND DRIVEN (NT:39)	1	
21	24322-17K00	BUSH, 2ND DRIVEN GEAR	1	
22	24323-17K00	WASHER, 2ND DRIVEN GEAR	1	
23	24331-47H20	GEAR, 3RD DRIVEN (NT:36)	1	
24	24332-24F20	BUSH, 3RD DRIVEN GEAR	1	
25	24332-24F20	BUSH, 4TH DRIVEN GEAR	1	
26	24333-47H00	WASHER, 3RD & 4TH DRIVEN	3	
27	24341-47H10	GEAR, 4TH DRIVEN (NT:36)	1	
28	24351-47H00	GEAR, 5TH DRIVEN (NT:34)	1	
29	24361-17K00	GEAR, 6TH DRIVEN (NT:33)	1	
30	09181-24005	SHIM (24X34X1)	1	
31	09263-24030	BEARING (24X28X13)	1	
32	09263-35045	BEARING (35X40X12)	1	
33	09380-30009	CIRCLIP	1	

FIG.206A

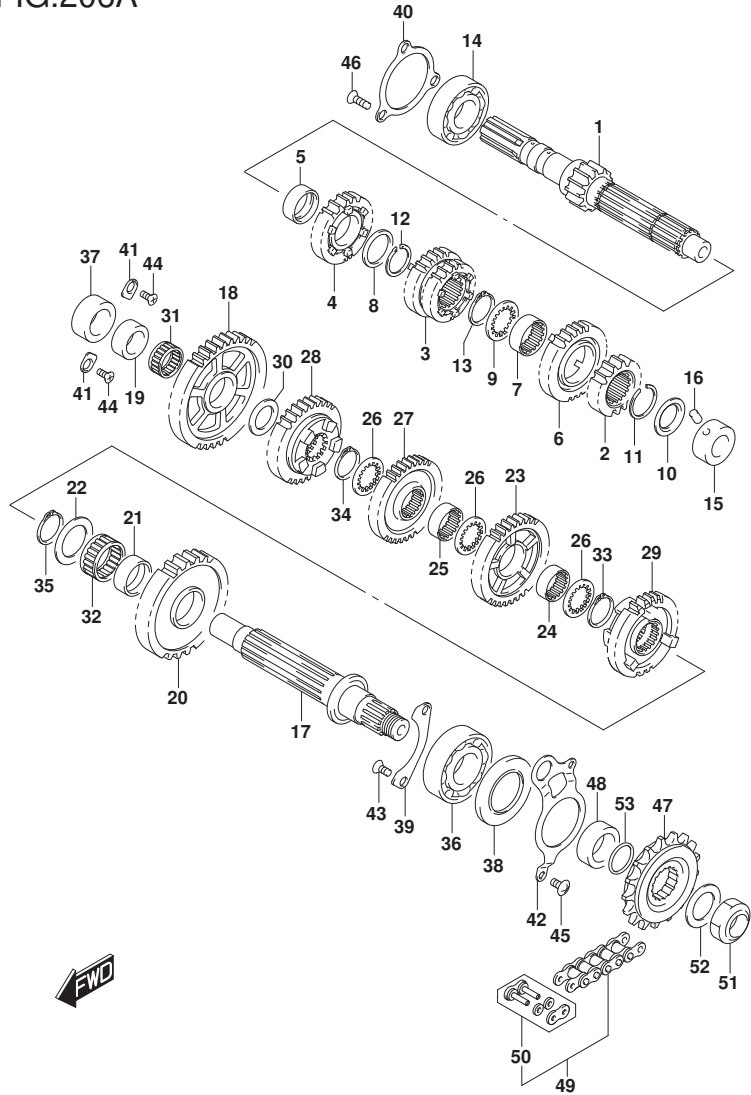


FIG.206A (1-C-14) TRANSMISSION

REF NO.	PART NO.	DESCRIPTION	Q'TY	REMARKS
34	09380-30009	CIRCLIP	1	
35	09380-30009	CIRCLIP	1	
36	09262-30001	BEARING	1	LH
37	09263-22074	BEARING	1	RH
38	09283-40043	OIL SEAL	1	
39	24741-06G00	RETAINER, DRIVE SHAFT BEARING	1	
40	24741-17K00	RETAINER, COUNTER SHAFT BRG	1	
41	24741-20A00	RETAINER, COUNTER BEARING RH	2	
42	24751-17K00	RETAINER, CL PUSH ROD OIL SEAL	1	
43	09126-06011	SCREW (6X12)	2	
44	09126-06011	SCREW (6X12)	2	
45	09139-06153	SCREW (6X13)	2	
46	09139-06159	SCREW (6X20)	3	
47	27510-17K00	SPROCKET, ENGINE (NT:17)	1	
48	27531-17K00	SPACER, ENGINE SPROCKET	1	
49	27600-17K00-120	CHAIN ASSY, DRIVE (DID525HV3)	1	
50	27620-17K00	.JOINT SET, DRIVE CHAIN	1	
51	09159-22008	NUT	1	
52	09181-27016	SHIM (27X42X1.5)	1	
53	09280-26005	O RING (D:2.4,ID:26.2)	1	

FIG.212A

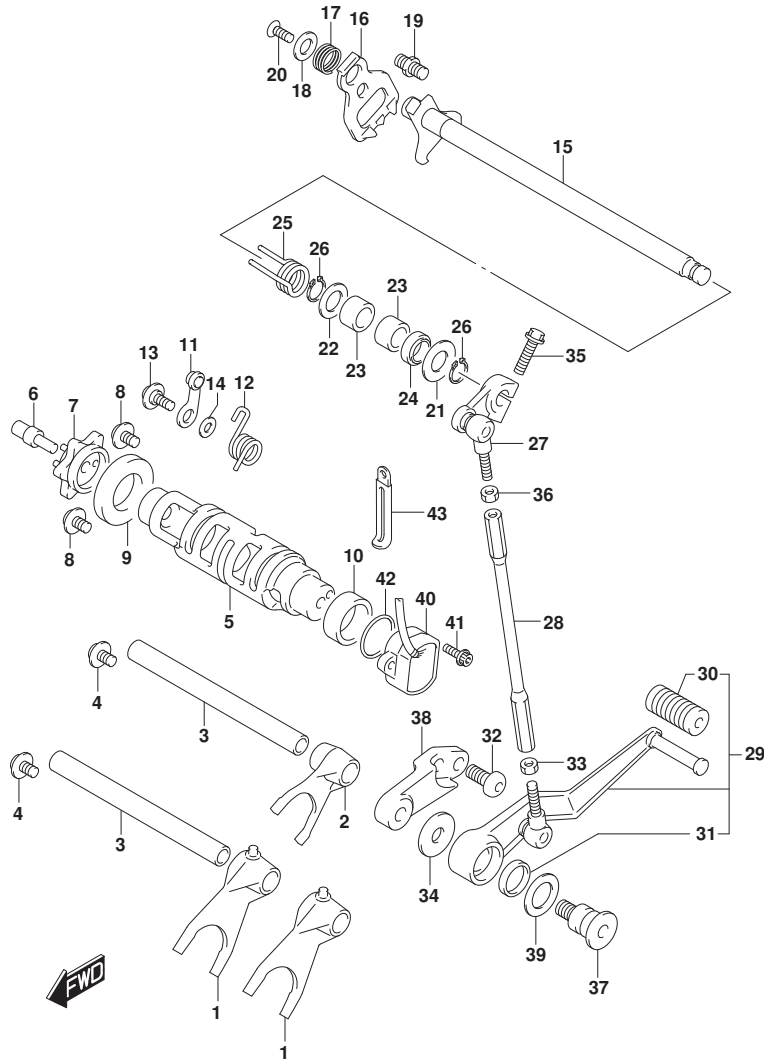


FIG.212A (1-C-15) GEAR SHIFTING

REF NO.	PART NO.	DESCRIPTION	Q'TY	REMARKS
1	25211-01H10	FORK, GEAR SHIFT NO.1	2	
2	25231-01H02	FORK, GEAR SHIFT NO.3	1	
3	25411-38B01	SHAFT, GEAR SHIFT FORK	2	
4	09136-06147	SCREW (6X12)	2	
5	25310-17K00	CAM, GEAR SHIFT	1	
6	25312-17K00	BOLT, GEAR SHIFT CAM PLATE	1	
7	25381-17K00	PLATE, GEAR SHIFT CAM	1	
8	09136-06147	SCREW (6X12)	2	
9	09262-25006	BEARING (25X47X8)	1	
10	09263-25018	BEARING (25X32X12)	1	
11	25350-06G00	STOPPER, SHIFT CAM	1	
12	25355-17K00	SPRING, GEAR SHIFT CAM STOPPER	1	
13	09111-06041	BOLT (6X14.3)	1	
14	08211-06141	WASHER	1	
15	25510-17K00	SHAFT, GEAR SHIFT	1	
16	25512-06G20	PLATE, GEAR SHIFT CAM DRIVE	1	
17	25518-01H00	SPRING, GEAR SHIFT PLATE	1	
18	25519-01H00	WASHER, GEAR SHIFT SHAF END	1	
19	25671-01011	STOPPER, GEAR SHIFT ARM	1	
20	09126-06014	SCREW (6X16)	1	
21	09160-14016	WASHER (14X29X0.8)	1	
22	09181-14195	SHIM (14X24X1)	1	
23	09263-14027	BEARING (14X20X12)	2	
24	09283-14005	OIL SEAL (14X22X7.3)	1	
25	09444-20001	SPRING	1	
26	08331-3114A	CIRCLIP	2	
27	25520-17K00	ARM, GEAR SHIFT LINK	1	
28	25525-17K00	ROD, GEAR SHIFT LINK	1	
29	25600-17K00	LEVER ASSY, GEAR SHIFT	1	
30	25652-20C00	.RUBBER, GEAR SHIFT PEDAL	1	
31	09284-18005	.OIL SEAL (18X24X3.5)	2	
32	09106-08167	BOLT (8X20)	2	
33	09140-06025	NUT	1	
34	09160-10144	WASHER (10X30X2.5)	1	
35	07120-0625A	BOLT	1	

FIG.212A

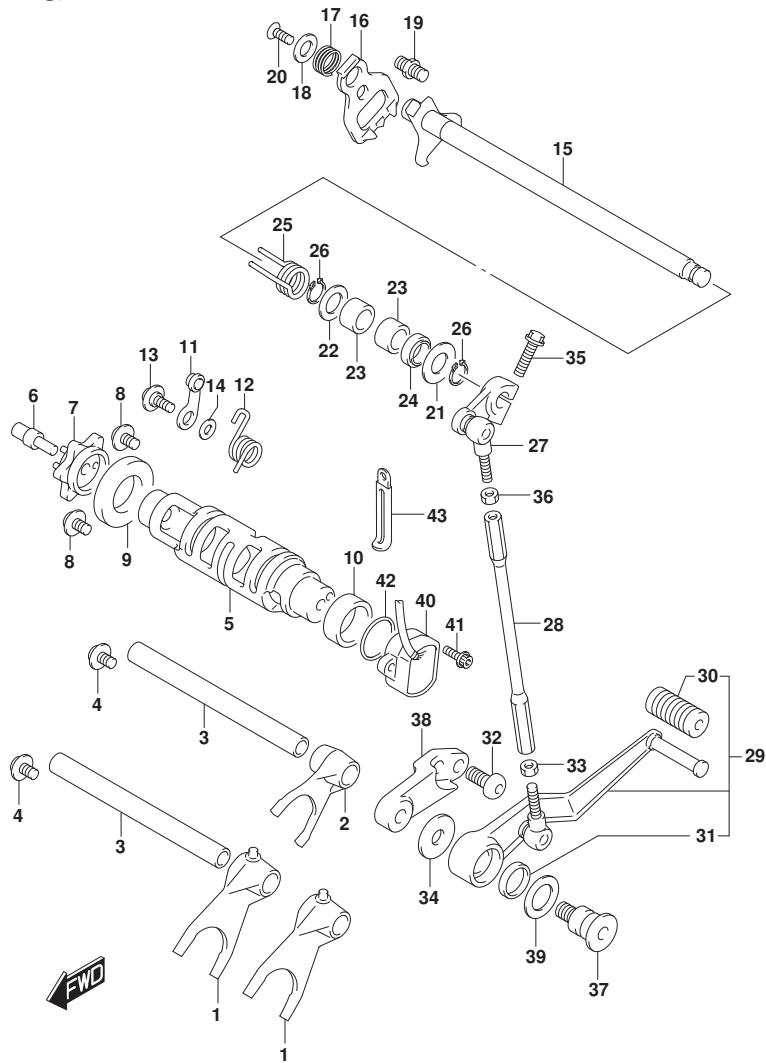


FIG.212A (1-D-2) GEAR SHIFTING

REF NO.	PART NO.	DESCRIPTION	Q'TY	REMARKS
36	09140-06020	NUT	1	
37	25617-17K00	SHAFT, GEAR SHIFT LEVER	1	
38	25681-17K00	BRACKET, GEAR SHIFT LEVER	1	
39	25619-17K00	WASHER, GEAR SHIFT LEVER LH	1	
40	37730-17K00	SENSOR ASSY, GEAR POSITION	1	
41	09106-05023	BOLT (5X16)	2	
42	09280-26005	O RING (D:2.4,ID:26.2)	1	
43	09404-06429	CLAMP (L:45)	1	

FIG.301A

FIG.301A (1-D-3) STARTING MOTOR

REF NO.	PART NO.	DESCRIPTION	Q'TY	REMARKS
1	31100-17K00	MOTOR ASSY, STARTING	1	
2	31150-40F01	.HOUSING ASSY	1	
3	31153-49210	..OIL SEAL	1	
4	31175-40F01	.FRAME ASSY	1	
5	31264-32C10	.O RING	2	
6	31281-40F00	.BOLT	2	
7	31361-17K00	.PLATE, LOCK	1	
8	31361-10200	.RING, SNAP	1	
9	31156-40F01	.O RING	1	
10	31361-38300	.SHIM	1	
11	01547-0620A	BOLT	2	
12	09137-05004	SCREW (5X8)	1	

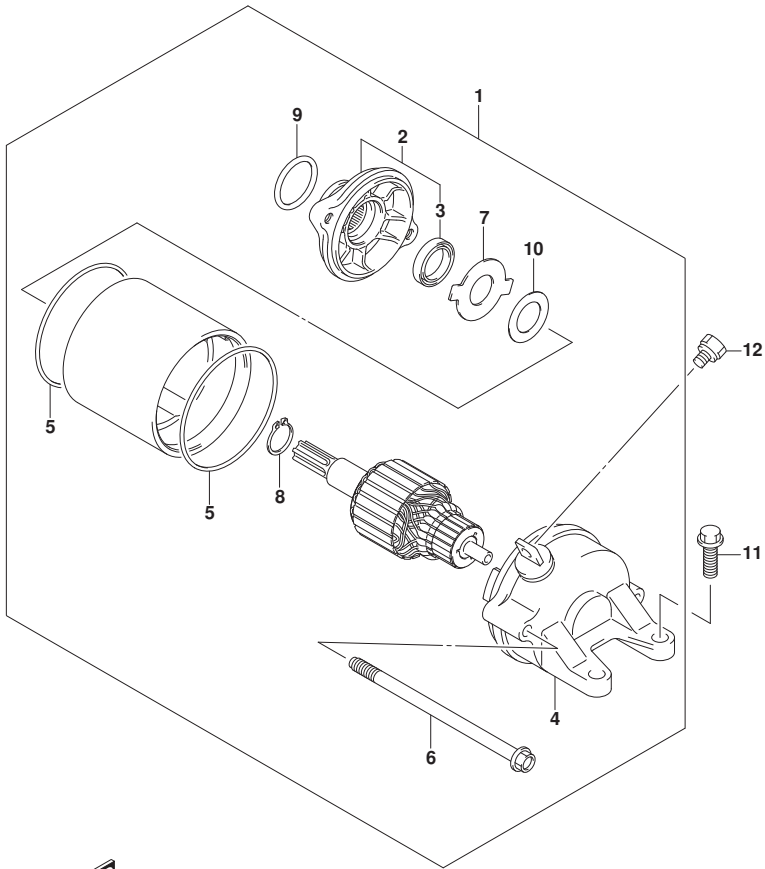


FIG.304A

FIG.304A (1-D-4) GENERATOR

REF NO.	PART NO.	DESCRIPTION	Q'TY	REMARKS
1	32101-17K00	STATOR ASSY	1	
2	32102-17K00	ROTOR ASSY	1	
3	32371-17K00	CLAMP, GENERATOR LEAD WIRE	1	
4	09103-12135	BOLT	1	
5	09106-06137	BOLT	3	
6	09160-12036	WASHER (12X30X3)	1	
7	07130-0512A	BOLT	2	
8	09420-04008	KEY	1	

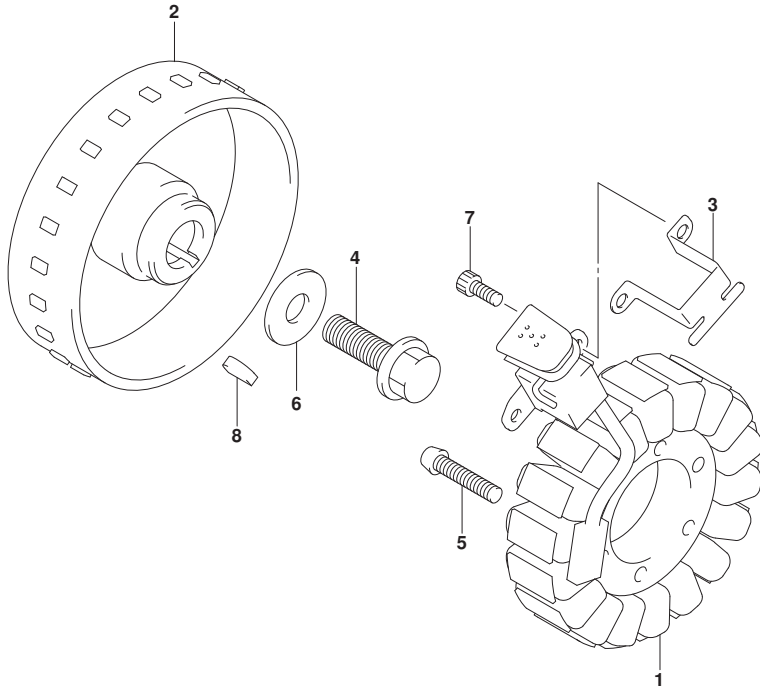


FIG.310A

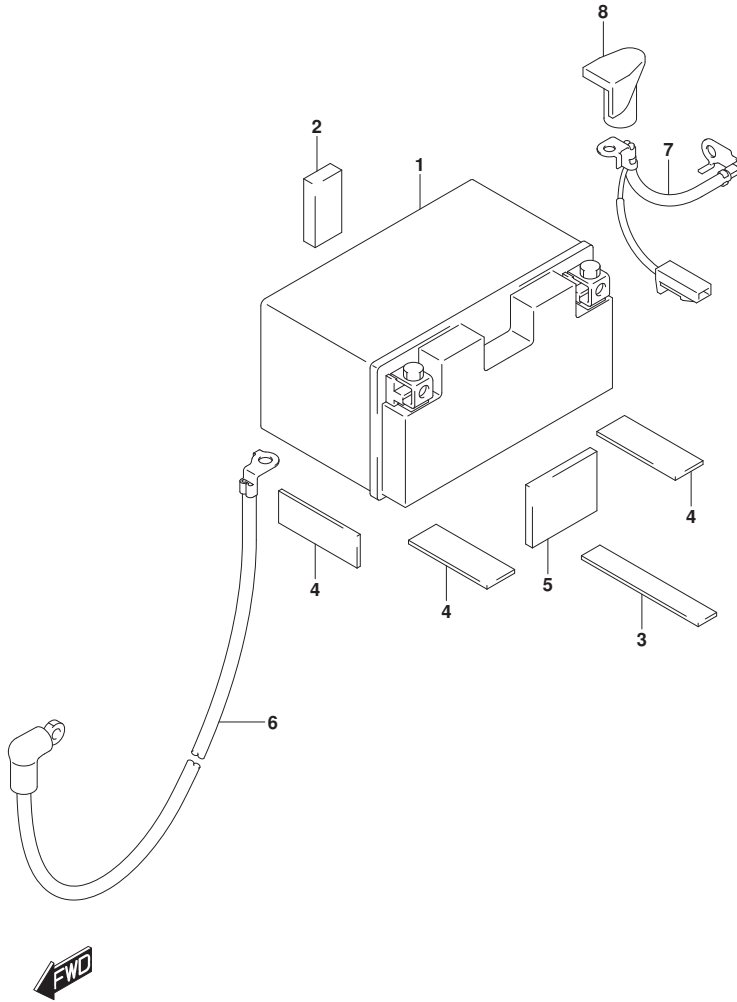


FIG.310A (1-D-5) BATTERY

REF NO.	PART NO.	DESCRIPTION	Q'TY	REMARKS
1	33630-14G00	BATTERY ASSY (FT12A-BS, 12V10AH)	1	
2	33652-17K00	PROTECTOR, BATTERY	1	
3	33652-17K20	PROTECTOR, BATTERY	1	
4	33652-17K30	PROTECTOR, BATTERY	3	
5	33652-20C00	PROTECTOR, BATTERY	1	
6	33810-17K00	WIRE, STARTER MOTOR LEAD	1	
7	33820-17K10	WIRE, BATTERY PLUS LEAD	1	
8	33624-04K00	.CAP, BATTERY PLUS TERMINAL	1	

FIG.312A

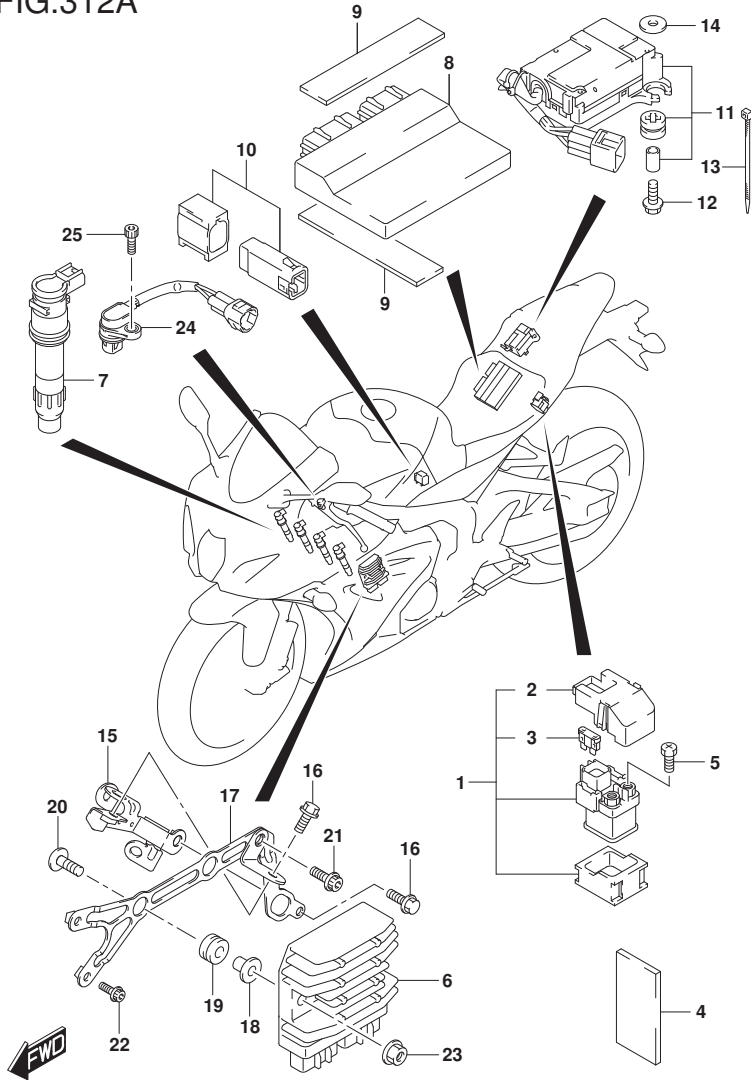


FIG.312A (1-D-6) ELECTRICAL

REF NO.	PART NO.	DESCRIPTION	Q'TY	REMARKS
1	31800-21E20	RELAY ASSY, STARTING MOTOR	1	
2	31861-47E00	.COVER	1	
3	09481-30101	.FUSE (30A)	2	
4	36920-08D00	PROTECTOR (30X60X3)	1	
5	09128-06013	SCREW (6X8)	2	
6	32800-26J01	RECTIFIER ASSY	1	
7	33410-17K00	COIL ASSY, IGNITION	4	
8	32920-17K00	CONTROL UNIT, FI	1	
9	33652-38A10	PROTECTOR (20X90X2)	4	
10	33960-06G10	SENSOR ASSY, FUEL CUT	1	
11	33970-47H01	ACTUATOR ASSY, EXHAUST	1	
12	09103-06066	BOLT (6X23)	2	
13	09407-10404	CLAMP (L:100)	1	
14	08322-0106A	WASHER	2	
15	36670-17K00	BRACKET, HARNESS	1	
16	01547-0612A	BOLT	2	
17	32830-17K00	BRACKET , RECT FTG	1	
18	09180-06331	SPACER (6.2X8.4X10.9)	2	
19	09320-08501	CUSHION	2	
20	02142-0635A	SCREW	2	
21	07120-0620A	BOLT	1	
22	07120-0630B	BOLT	2	
23	08316-1006A	NUT	2	
24	33220-01H00	SENSOR ASSY, CAM POSITION	1	
25	07130-0616A	BOLT	1	

FIG.330A

FIG.330A (1-D-7) SPEEDOMETER

REF NO.	PART NO.	DESCRIPTION	Q'TY	REMARKS
1	34100-17K00	SPEEDOMETER ASSY	1	
2	34111-17K00	.CASE ASSY, LOWER	1	
3	34150-17K00	.CASE ASSY, UPPER	1	
4	34183-10C00	.SCREW	8	
5	34189-08J00	CUSHION, SPEEDOMETER	3	
6	95643-58J00	SENSOR, AIR TEMP	1	
7	09160-04026	WASHER (4.5X16X1.2)	1	
8	03541-0416A	SCREW	1	

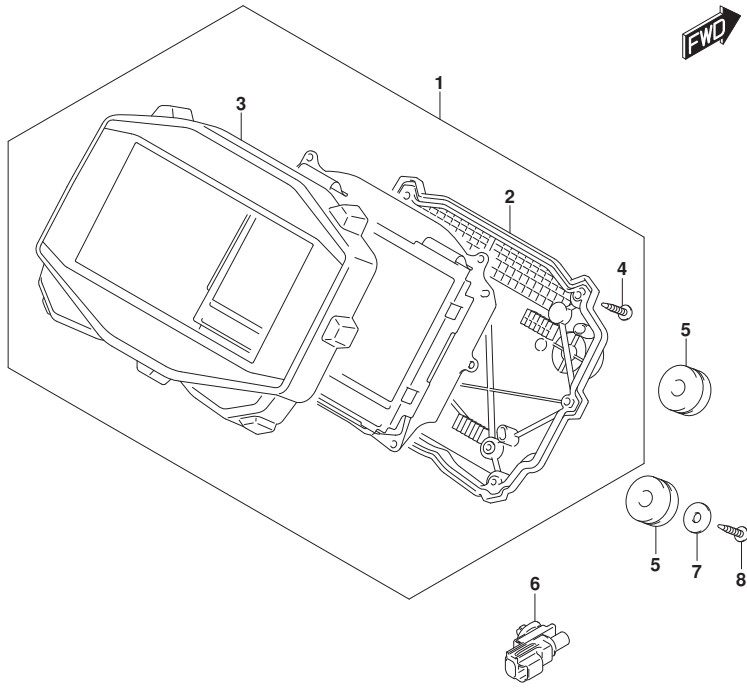


FIG.333A

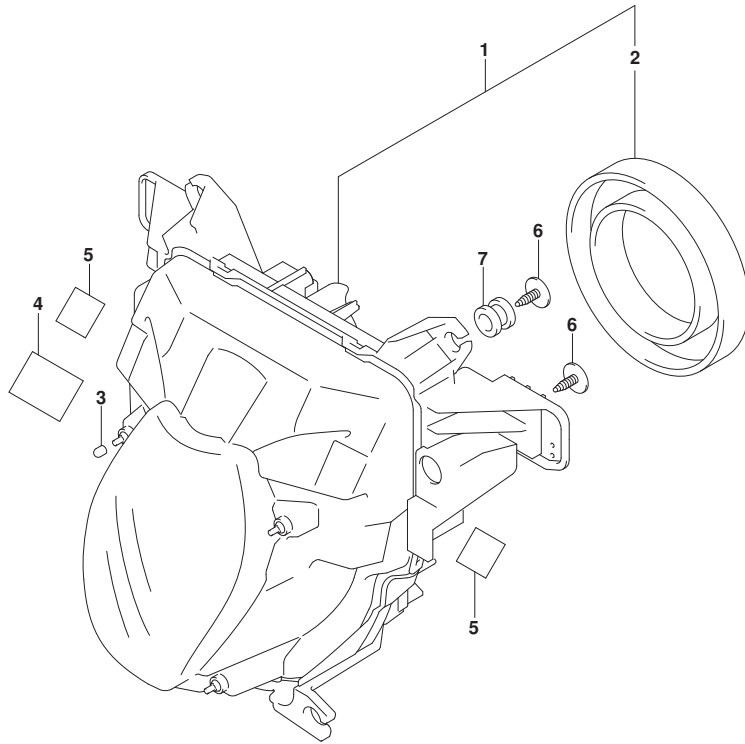


FIG.333A (1-D-8) HEADLAMP

REF NO.	PART NO.	DESCRIPTION	Q'TY	REMARKS
1	35100-17K00	HEADLAMP ASSY	1	
2	35125-17K00	.COVER, SOCKET	2	
3	44294-43H00	CUSHION	4	
4	44572-02F01	FASTENER	1	
5	44572-37H00	FASTENER	2	
6	09136-05062	SCREW (5X15)	6	
7	09320-09039	CUSHION	4	



FIG.334A

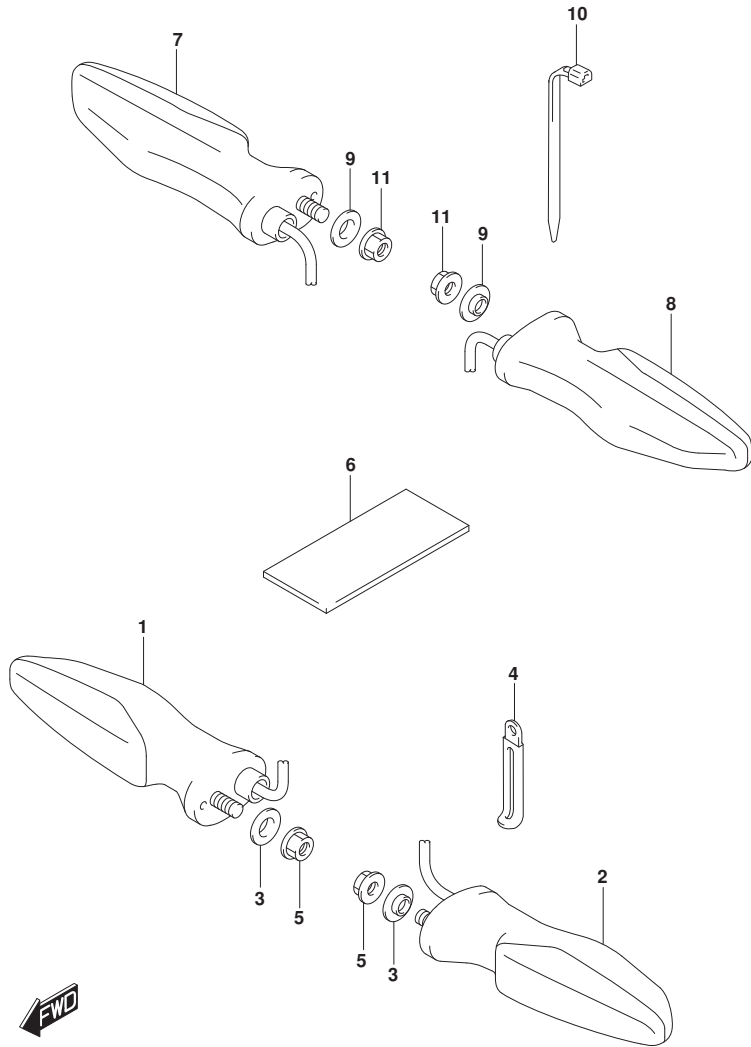


FIG.334A (1-D-9) TURNSIGNAL LAMP

REF NO.	PART NO.	DESCRIPTION	Q'TY	REMARKS
1	35601-17KA0	LAMP ASSY, FRONT TURNSIGNAL RH	1	
2	35602-17KA0	LAMP ASSY, FRONT TURNSIGNAL LH	1	
3	09169-06076	WASHER	2	
4	09404-06429	CLAMP (L:45)	1	
5	08316-1006A	NUT	2	
6	33652-17K10	CUSHION, EAR TURNSIGNAL LEAD	1	
7	35603-17KA0	LAMP ASSY, REAR TURNSIGNAL RH	1	
8	35604-17KA0	LAMP ASSY, REAR TURNSIGNAL LH	1	
9	09169-06076	WASHER	2	
10	09407-14403	CLAMP (L:125)	1	
11	08316-1006A	NUT	2	

FIG.339A

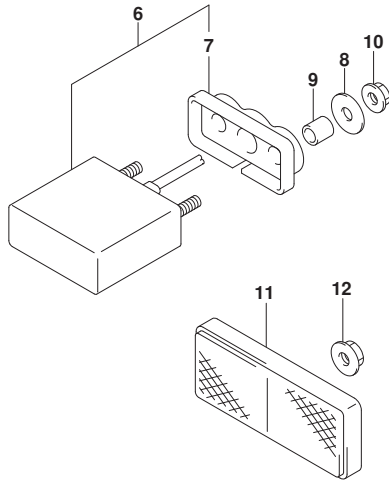
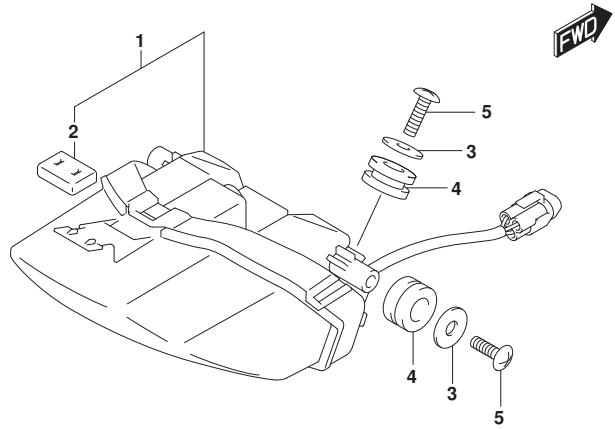


FIG.339A (1-D-10) REAR COMBINATION LAMP

REF NO.	PART NO.	DESCRIPTION	Q'TY	REMARKS
1	35710-17K00	LAMP ASSY, REARCOMBINATION	1	
2	35781-17K00	.CUSHION	1	
3	09160-05045	WASHER (5.5X18X1)	3	
4	09320-10054	CUSHION	3	
5	03541-0516A	SCREW	3	
6	35910-17K00	LAMP ASSY, LICENSE	1	
7	35913-17K00	.RUBBER	1	
8	09160-05045	WASHER (5.5X18X1)	2	
9	09180-06263	SPACER (6.5X9X9)	2	
10	08316-1005A	NUT	2	
11	35970-07F01	REFLECTOR ASSY, RR	1	
12	08316-1005A	NUT	1	

FIG.350A

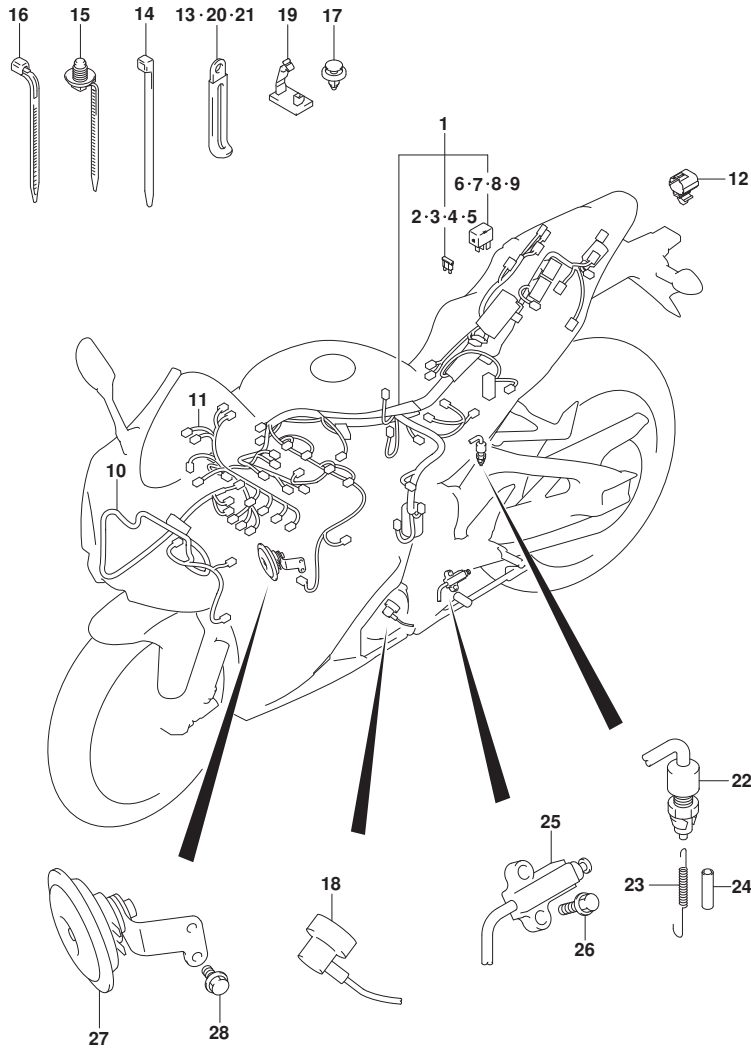


FIG.350A (1-D-11) WIRING HARNESS

REF NO.	PART NO.	DESCRIPTION	Q'TY	REMARKS
1	36610-17K10	HARNESS, WIRING NO.1	1	
2	09481-07504	.FUSE (7.5A)	2	
3	09481-10504	.FUSE (10A)	5	
4	09481-15504	.FUSE (15A)	2	
5	09481-30504	.FUSE (30A)	1	
6	38860-76F01	.RELAY	1	FUEL PUMP
7	38860-76F01	.RELAY	1	FAN MOTOR
8	38860-76F01	.RELAY	1	SIDE STAND
9	38860-76F01	.RELAY	1	HEADLAMP
10	36620-17K50	HARNESS, WIRING NO.2	1	
11	36630-17K10	HARNESS, WIRING NO.3	1	
12	36654-06J30	CAP, TS	1	
13	09404-06429	CLAMP (L:45)	1	
14	09407-14407	CLAMP (L:145)	3	
15	09407-17403	CLAMP (L:154)	1	
16	09407-14403	CLAMP (L:125)	2	
17	09409-06328	CLIP	1	
18	36851-17K00	WIRE, OIL PRESSURE SWITCH	1	
19	09403-04310	CLAMP	2	
20	09404-06429	CLAMP (L:45)	1	
21	09404-06433	CLAMP (L:80)	1	
22	37740-17K00	SWITCH ASSY, STOP LAMP	1	
23	09443-06087	SPRING	1	
24	09352-50823-600	HOSE (5X8.2X600)	1	L:600->60
25	37840-35F00	SWITCH ASSY, SIDE STAND	1	
26	01550-0620A	BOLT	2	
27	38500-17K00	HORN ASSY	1	
28	01550-0612A	BOLT	2	

FIG.352A

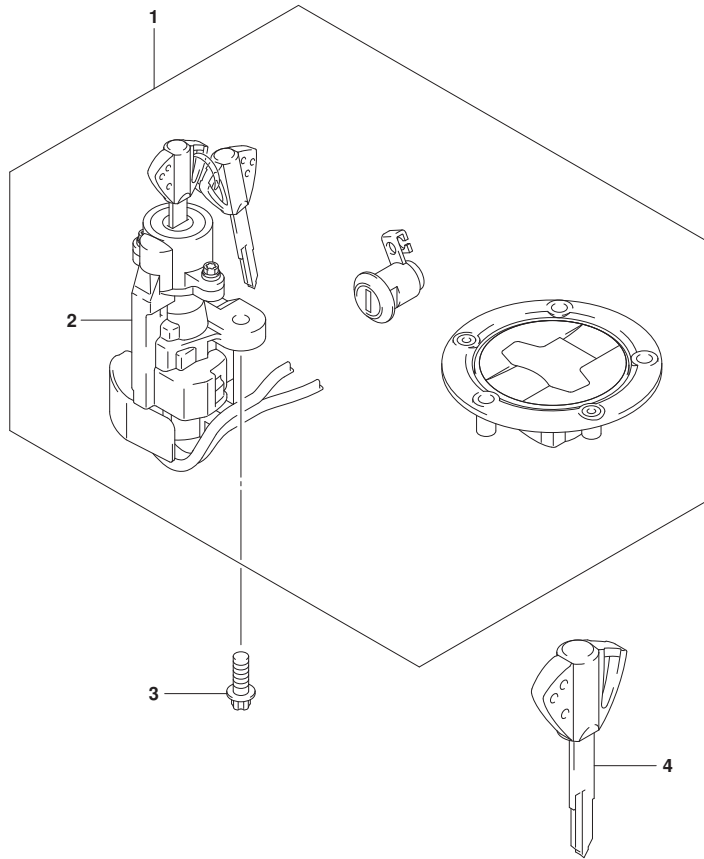


FIG.352A (1-D-12) LOCK SET

REF NO.	PART NO.	DESCRIPTION	Q'TY	REMARKS
1	37102-17810	LOCK SET	1	
2	37100-17K00	.LOCK ASSY, STEERING	1	
3	09119-08100	BOLT (8X20)	2	
4	37146-41G00	KEY, BLANK	1	OPT

FIG.355A

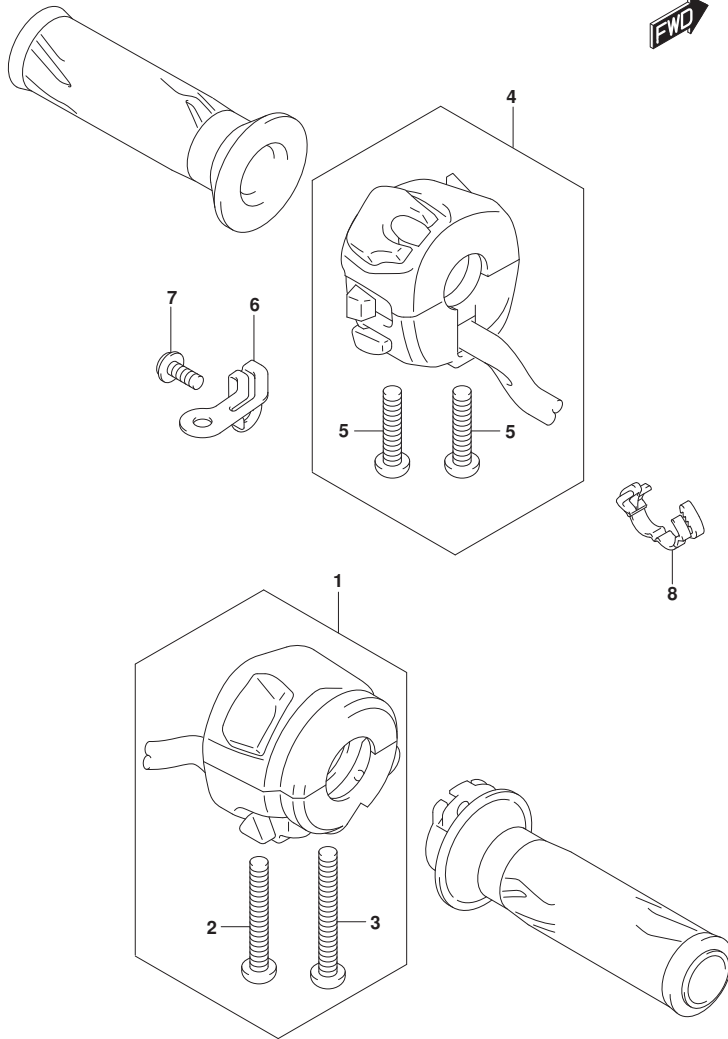


FIG.355A (1-D-13) HANDLE SWITCH

REF NO.	PART NO.	DESCRIPTION	QTY	REMARKS
1	37200-17K00	SWITCH ASSY, HANDLE RH	1	
2	02112-0535B	.SCREW	1	
3	02112-0540B	.SCREW	1	
4	37400-17K00	SWITCH ASSY, HANDLE LH	1	
5	02112-0525B	.SCREW	2	
6	36617-17K00	BRACKET, LEAD WIRE	1	
7	09139-06109	SCREW (6X16)	1	
8	09408-00184	CLAMP	1	

FIG.401A

FIG.401A (1-D-14) FRAME

REF NO.	PART NO.	DESCRIPTION	Q'TY	REMARKS
1	41100-17K00	FRAME	1	
2	41200-17K00	RAIL, SEAT	1	
3	41233-18G20	BOLT, SEAT RAIL	4	
4	09409-05308-5PK	CLIP (BLACK)	4	
5	41921-47H00	BOLT, ADJUST	2	
6	41922-47H00	NUT, ADJUST BOLT	2	

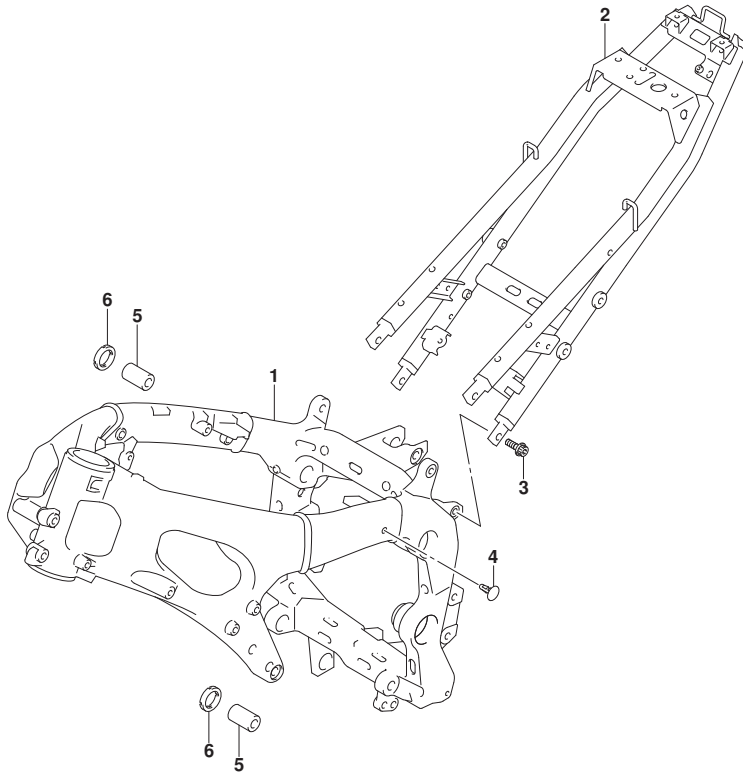


FIG.407A

FIG.407A (1-D-15) STAND

REF NO.	PART NO.	DESCRIPTION	Q'TY	REMARKS
1	42310-17K00	STAND, PROP	1	
2	42330-17K10	BRACKET, PROP STAND	1	
3	42411-47H00	BOLT	1	
4	09103-10366	BOLT (10X30)	2	
5	09159-10103	NUT	1	
6	09181-16214	SHIM (16X28X0.5)	2	
7	09443-14070	SPRING	1	NO.1
8	09443-19016	SPRING	1	NO.2
9	43110-47H10	PEDAL, BRAKE	1	
10	09352-11153-600	HOSE (11X15X600)	1	L:600->22
11	09443-11033	SPRING	1	

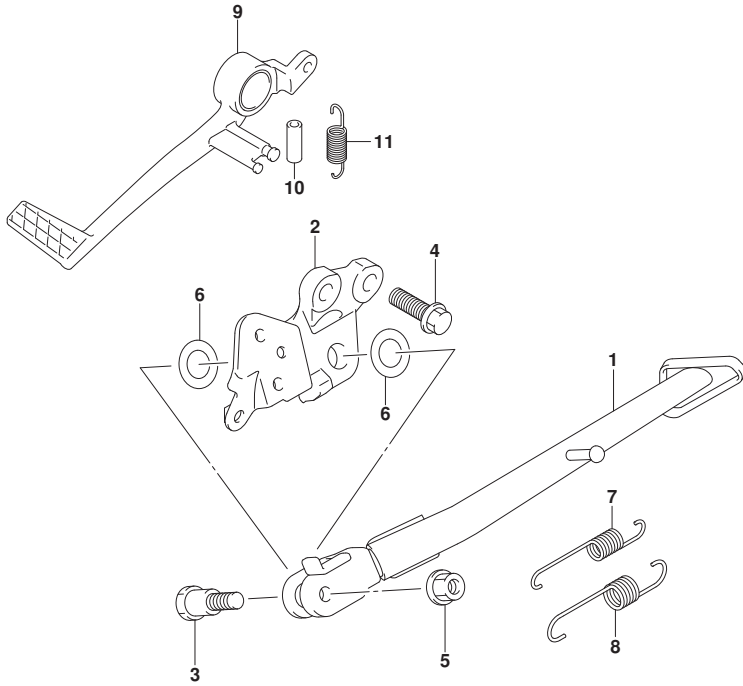


FIG.415A

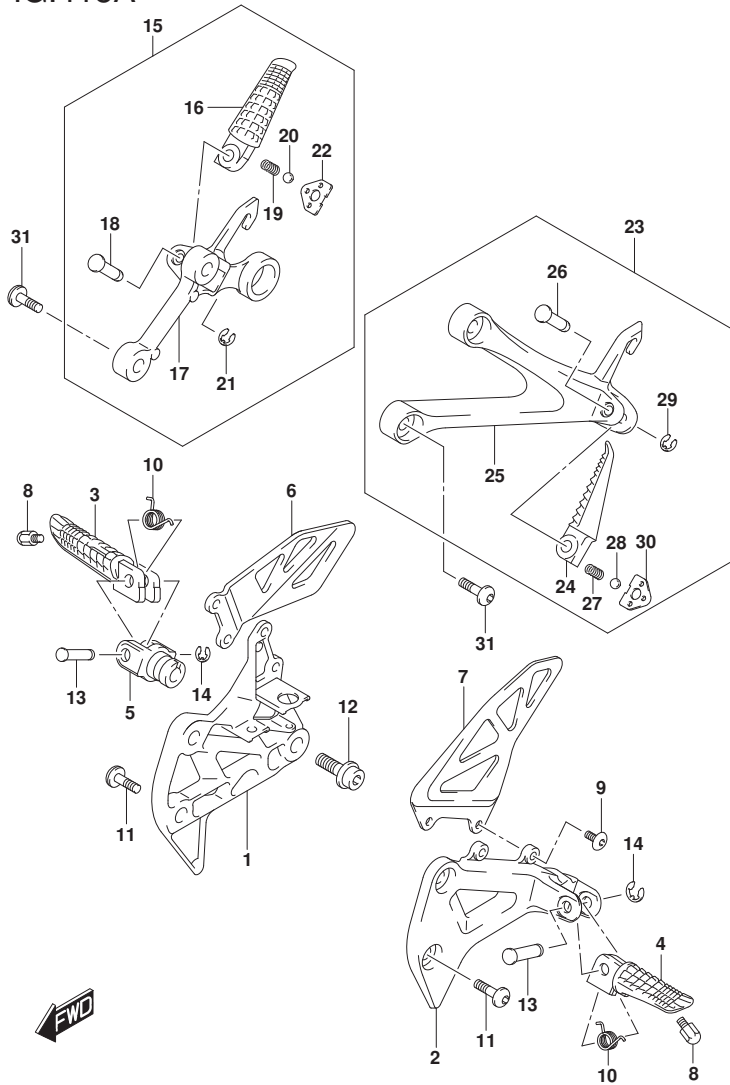


FIG.415A (1-E-2) FOOTREST

REF NO.	PART NO.	DESCRIPTION	Q'TY	REMARKS
1	43511-17K00	BRACKET, FRONT FOOTREST RH	1	
2	43521-17K00	BRACKET, FRONT FOOTREST LH	1	
3	43516-37H10	BAR, FOOTREST RH	1	
4	43526-37H10	BAR, FOOTREST LH	1	
5	43531-41G20	HOLDER, FOOTREST	1	
6	43571-17K00	GUARD, FOOTREST RH	1	
7	43576-17K00	GUARD, FOOTREST LH	1	
8	43576-48B40	BOLT, BANK SENSOR	2	
9	43577-35F10	SCREW, FOOTREST GUARD LH	2	
10	43581-47H00	SPRING, FRONT FOOTREST	2	
11	09106-08186	BOLT (8X23)	4	
12	09106-10064	BOLT (10X28)	1	
13	09208-08018	PIN	2	
14	08332-1106A	E RING	2	
15	43600-17K00	FOOTREST ASSY, PILLION RH	1	
16	43611-37H30	.BAR, PILLION FOOTREST RH	1	
17	43811-17K00	.BRACKET, PILLION FOOTREST RH	1	
18	09208-08020	.PIN	1	
19	09440-05005	.SPRING	1	
20	06111-07004	.BALL	1	
21	08332-1106A	E RING	1	
22	43816-01H20	.PLATE, PILLION FOOTREST	1	
23	43700-17K00	FOOTREST ASSY, PILLION LH	1	
24	43621-37H30	.BAR, PILLION FOOTREST LH	1	
25	43821-17K00	.BRACKET, PILLION FOOTREST LH	1	
26	09208-08020	.PIN	1	
27	09440-05005	.SPRING	1	
28	06111-07004	.BALL	1	
29	08332-1106A	E RING	1	
30	43816-01H20	.PLATE, PILLION FOOTREST	1	
31	09106-08186	BOLT (8X23)	4	

FIG.420A

FIG.420A (1-E-3) FUEL TANK (YSF)

REF NO.	PART NO.	DESCRIPTION	Q'TY	REMARKS
1	44100-17KB0-YSF	TANK ASSY, FUEL (BLUE)	1	
2	68110-17K00-BDH	.TAPE SET, FUEL TANK	1	
3	44121-17K00	VESSEL, FUEL TANK INNER	1	
4	44200-17820	CAP SET, FUEL TANK	1	
5	44244-11J00	BOLT, FUEL TANK FILLER CAP	3	
6	44552-24B10	MOLDING, FUEL TANK REAR	2	
7	44523-47H00	NUT	2	
8	44530-17K00	BRACKET, FUEL TANK NO.1	1	
9	44541-17K00	CUSHION, SIDE	2	
10	44542-17K00	CUSHION, REAR	2	
11	44544-17K00	SPACER, FUEL TANK REAR BRACKET	2	
12	44551-17K00	BRACKET, FUEL TANK REAR	1	
13	44552-17K00	CLIP, NUT	2	
14	44561-18G00	SPACER, JOINT	1	
15	09103-06033	BOLT (6X125)	1	
16	09111-06081	BOLT (6X18)	4	
17	09139-06191	SCREW (6X22)	4	
18	09159-06086	NUT	1	
19	09160-06012	WASHER (6.5X22X1.6)	1	
20	09320-08071	CUSHION	4	
21	44543-17K00	CUSHION, FUEL TANK COVER	2	
22	44572-13G00	FASTENER, COVER SIDE	2	
23	44572-44G00	FASTENER, COVER FRONT	4	
24	09148-05052	NUT	2	
25	09404-06433	CLAMP (L:80)	1	
26	09407-17403	CLAMP (L:154)	1	
27	44283-17K00	PROTECTOR, FUEL TANK	1	
28	44423-17K00	HOSE, DRAIN	1	
29	44574-17K00	STAY, FUEL TANK	1	OPT

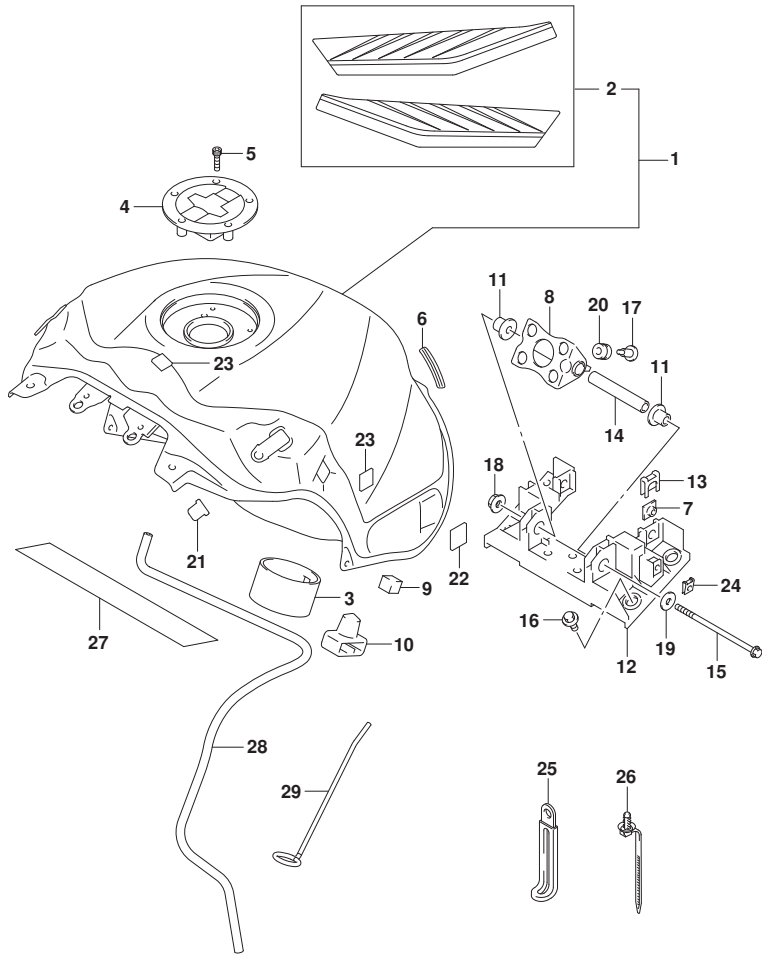


FIG.420B

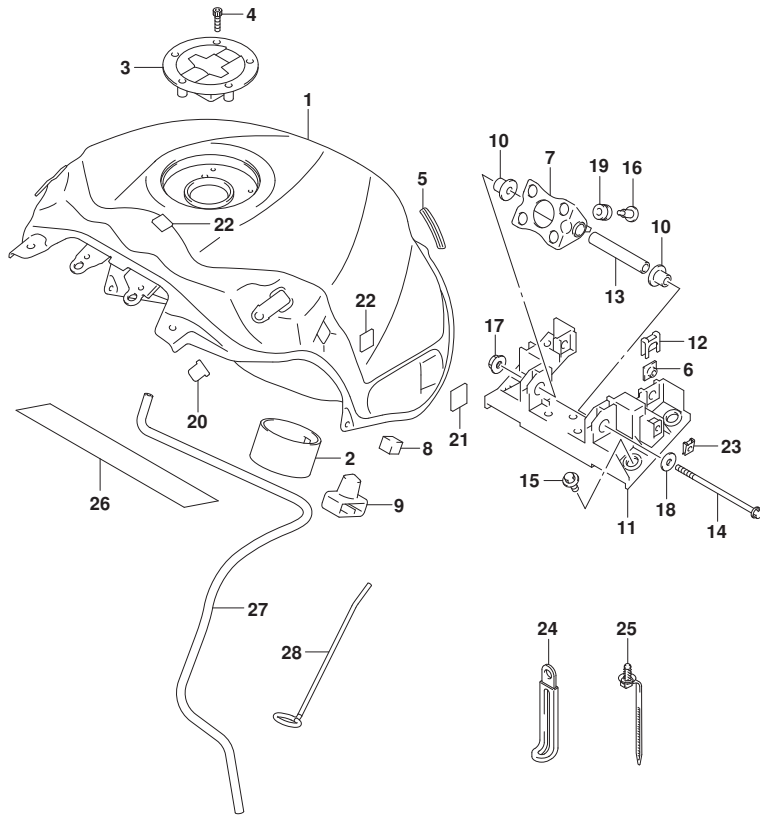


FIG.420B (1-E-4) FUEL TANK (YKV,YVZ)

REF NO.	PART NO.	DESCRIPTION	Q'TY	REMARKS
1-1	44100-17K10-YKV	TANK ASSY, FUEL (BLACK)	1	FOR YKV
1-2	44100-17K10-YVZ	TANK ASSY, FUEL (RED)	1	FOR YVZ
2	44121-17K00	VESSEL, FUEL TANK INNER	1	
3	44200-17820	CAP SET, FUEL TANK	1	
4	44244-11J00	BOLT, FUEL TANK FILLER CAP	3	
5	44552-24B10	MOLDING, FUEL TANK REAR	2	
6	44523-47H00	NUT	2	
7	44530-17K00	BRACKET, FUEL TANK NO.1	1	
8	44541-17K00	CUSHION, SIDE	2	
9	44542-17K00	CUSHION, REAR	2	
10	44544-17K00	SPACER, FUEL TANK REAR BRACKET	2	
11	44551-17K00	BRACKET, FUEL TANK REAR	1	
12	44552-17K00	CLIP, NUT	2	
13	44561-18G00	SPACER, JOINT	1	
14	09103-06033	BOLT (6X125)	1	
15	09111-06081	BOLT (6X18)	4	
16	09139-06191	SCREW (6X22)	4	
17	09159-06086	NUT	1	
18	09160-06012	WASHER (6.5X22X1.6)	1	
19	09320-08071	CUSHION	4	
20	44543-17K00	CUSHION, FUEL TANK COVER	2	
21	44572-13G00	FASTENER, COVER SIDE	2	
22	44572-44G00	FASTENER, COVER FRONT	4	
23	09148-05052	NUT	2	
24	09404-06433	CLAMP (L:80)	1	
25	09407-17403	CLAMP (L:154)	1	
26	44283-17K00	PROTECTOR, FUEL TANK	1	
27	44423-17K00	HOSE, DRAIN	1	
28	44574-17K00	STAY, FUEL TANK	1	OPT



FIG.422A

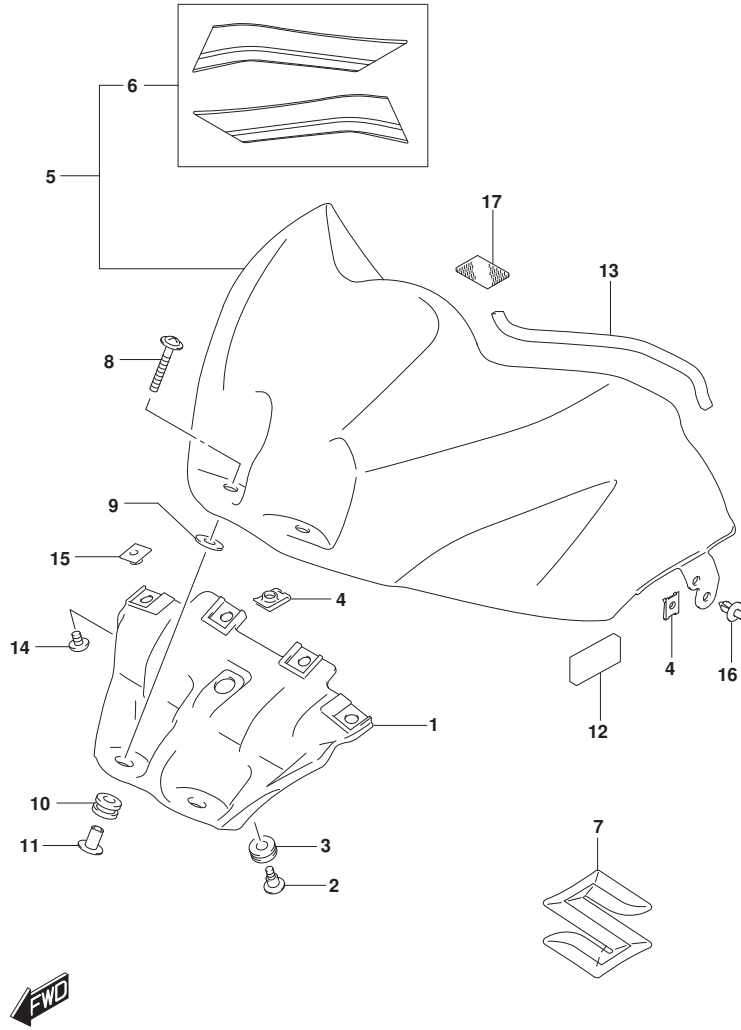


FIG.422A (1-E-5) FUEL TANK FRONT COVER (YSF)

REF NO.	PART NO.	DESCRIPTION	Q'TY	REMARKS
1	44521-17K00	BRACKET, FRONT	1	
2	09139-05078	SCREW (5X16.4)	1	
3	09320-08021	CUSHION	1	
4	09148-05052	NUT	3	
5	44290-17KA0-YSF	COVER, FRONT (BLUE)	1	
6	68120-17K00-BDH	.TAPE SET, FUEL TANK COVER	1	
7	68111-47HA0	EMBLEM "S"	2	
8	09139-06210	SCREW	2	
9	09160-06012	WASHER (6.5X22X1.6)	2	
10	09320-10050	CUSHION	2	
11	44512-17K00	SPACER	2	
12	33652-20C00	PROTECTOR, FUEL TANK COVER	2	CUT AS REQUIRED
13	44277-17K00	CUSHION, FUEL TANK COVER	2	
14	09139-06181	SCREW (6X10)	4	
15	44523-47H00	NUT	4	
16	09409-06314	CLIP	2	
17	44572-44G00	FASTENER, COVER FRONT	4	

FIG.422B

FIG.422B (1-E-6) FUEL TANK FRONT COVER (YKV,YVZ)

REF NO.	PART NO.	DESCRIPTION	Q'TY	REMARKS
1	44521-17K00	BRACKET, FRONT	1	
2	09139-05078	SCREW (5X16.4)	1	
3	09320-08021	CUSHION	1	
4	09148-05052	NUT	3	
5-1	44290-17K00-YKV	COVER, FRONT (BLACK)	1	FOR YKV
5-2	44290-17K00-YVZ	COVER, FRONT (RED)	1	FOR YVZ
6	68111-47HA0	EMBLEM "S"	2	
7	09139-06210	SCREW	2	
8	09160-06012	WASHER (6.5X22X1.6)	2	
9	09320-10050	CUSHION	2	
10	44512-17K00	SPACER	2	
11	33652-20C00	PROTECTOR, FUEL TANK COVER	2	CUT AS REQUIRED
12	44277-17K00	CUSHION, FUEL TANK COVER	2	
13	09139-06181	SCREW (6X10)	4	
14	44523-47H00	NUT	4	
15	09409-06314	CLIP	2	
16	44572-44G00	FASTENER, COVER FRONT	4	

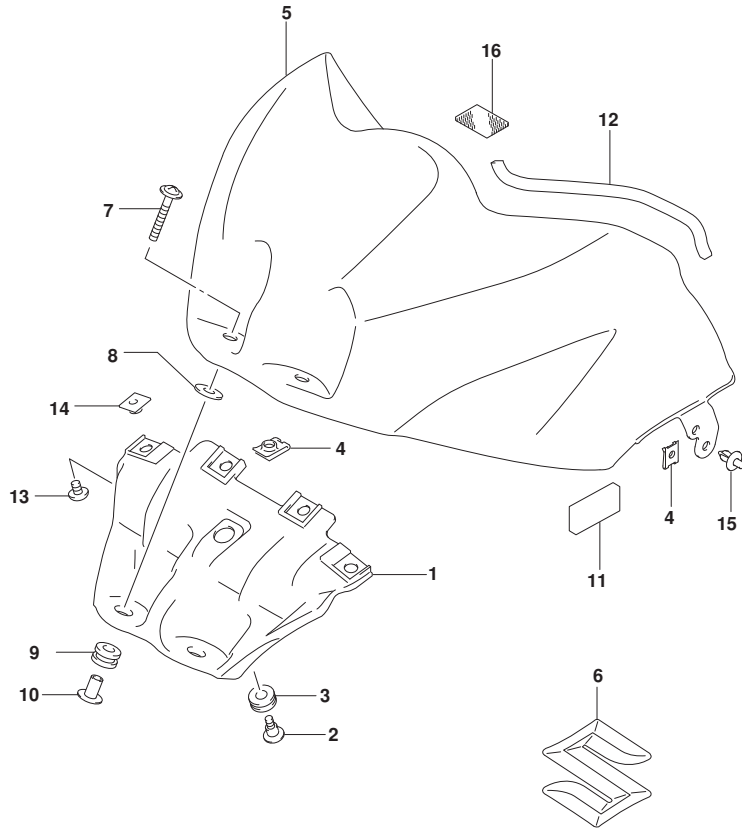


FIG.427A

FIG.427A (1-E-7) EVAP SYSTEM

REF NO.	PART NO.	DESCRIPTION	Q'TY	REMARKS
1	18560-04K00	CANISTER ASSY, CHARCOAL	1	
2	18571-17K00	BRACKET, CANISTER	1	
3	01550-0616A	BOLT	2	
4	18572-17K00	CUSHION, CANISTER	1	
5	18117-52G10	VALVE, CANISTER PURGE	1	
6	18573-17K00	BRACKET, PURGE VALVE	1	
7	08316-1006A	NUT	1	
8	18561-17K00	HOSE, SURGE	1	
9	18562-17K00	HOSE, PURGE NO.1	1	
10	18563-17K00	HOSE, PURGE NO.2	1	
11	09401-10201	CLIP	1	
12	09401-10409	CLIP	4	
13	09401-11413	CLIP	1	

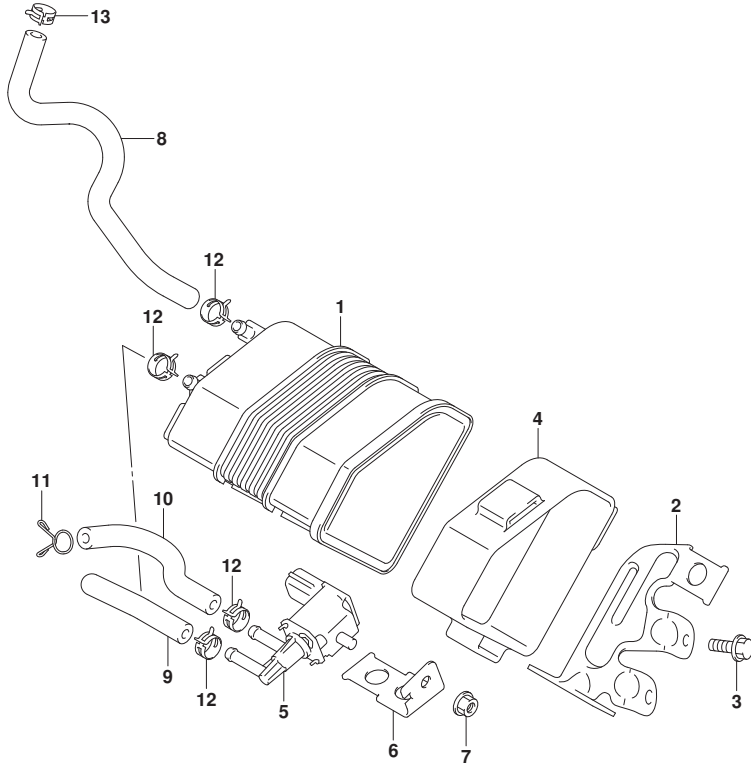


FIG.445A

FIG.445A (1-E-8) FRAME COVER (YSF)

REF NO.	PART NO.	DESCRIPTION	Q'TY	REMARKS
1	47110-17K10-YSF	COVER, FRAME RH (BLUE)	1	
2	68135-17K10-BDH	.TAPE, FRAME COVER RH	1	
3	47210-17K10-YSF	COVER, FRAME LH (BLUE)	1	
4	68145-17K10-BDH	.TAPE, FRAME COVER LH	1	
5	47311-17K00	COVER, FRAME CENTER FRONT	1	
6	47411-17K00-YSF	COVER, FRAME CENTER REAR (BLUE)	1	
7	44173-14J00	CUSHION	4	
8	47312-37H00	CUSHION, FRAME COVER RR	2	
9	94478-14J00	CUSHION, FRAME COVER	2	
10	09139-06139	SCREW (6X16)	2	
11	09139-05092	SCREW	4	
12	09148-05052	NUT	4	
13	09180-06283	SPACER (6.5X10X7)	2	
14	09250-06012	PLUG (OD:10)	2	
15	09409-06328	CLIP	6	
16	03541-0516A	SCREW	2	
17	33652-17K10	CUSHION	1	

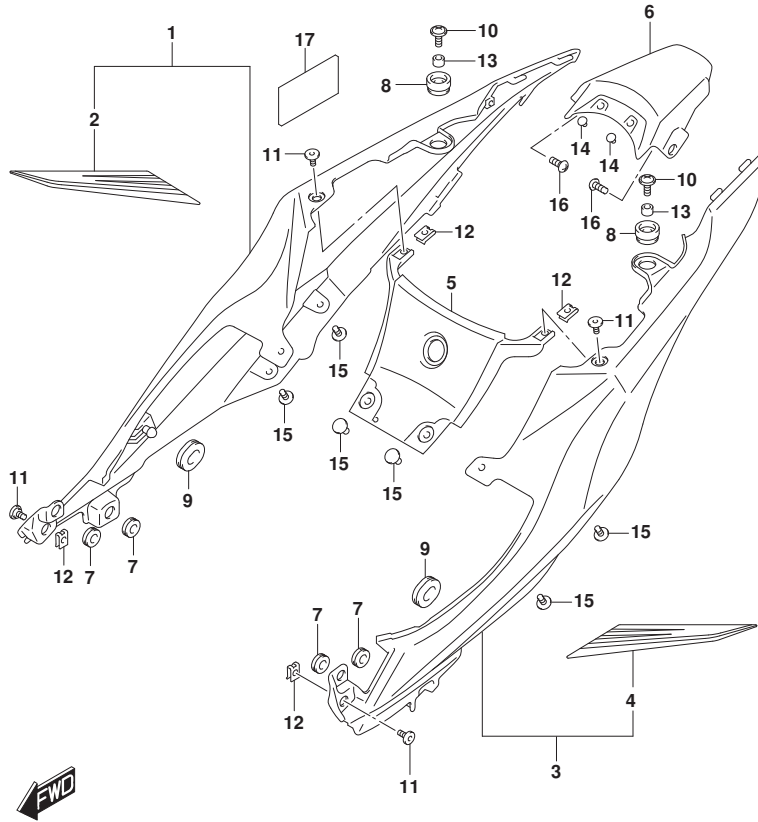


FIG.445B

FIG.445B (1-E-9) FRAME COVER (YKV,YVZ)

REF NO.	PART NO.	DESCRIPTION	Q'TY	REMARKS
1-1	47110-17K00-YKV	COVER, FRAME RH (BLACK)	1	
1-2	47110-17K00-YVZ	COVER, FRAME RH (RED)	1	
2-1	68135-17K00-AX2	.TAPE, FRAME COVER RH	1	FOR YKV
2-2	68135-17K00-JSP	.TAPE, FRAME COVER RH	1	FOR YVZ
3-1	47210-17K00-YKV	COVER, FRAME LH (BLACK)	1	
3-2	47210-17K00-YVZ	COVER, FRAME LH (RED)	1	
4-1	68145-17K00-AX2	.TAPE, FRAME COVER RH	1	FOR YKV
4-2	68145-17K00-JSP	.TAPE, FRAME COVER RH	1	FOR YVZ
5	47311-17K00	COVER, FRAME CENTER FRONT	1	
6-1	47411-17K00-YKV	COVER, FRAME CENTER REAR (BLACK)	1	
6-2	47411-17K00-YVZ	COVER, FRAME CENTER REAR (RED)	1	
7	44173-14J00	CUSHION	4	
8	47312-37H00	CUSHION, FRAME COVER RR	2	
9	94478-14J00	CUSHION, FRAME COVER	2	
10	09139-06139	SCREW (6X16)	2	
11	09139-05092	SCREW	4	
12	09148-05052	NUT	4	
13	09180-06283	SPACER (6.5X10X7)	2	
14	09250-06012	PLUG (OD.10)	2	
15	09409-06328	CLIP	6	
16	03541-0516A	SCREW	2	
17	33652-17K10	CUSHION	1	

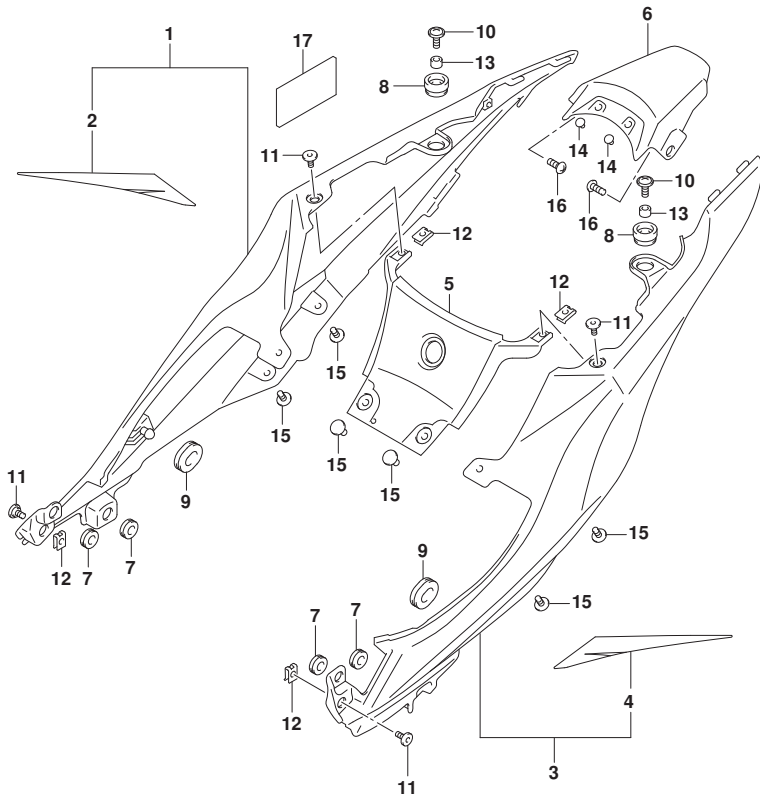


FIG.448A

FIG.448A (1-E-10) SIDE LOWER COVER

REF NO.	PART NO.	DESCRIPTION	Q'TY	REMARKS
1	47511-17K00	COVER, FRAME FRONT RH	1	
2	47611-17K00	COVER, FRAME FRONT LH	1	
3-1	47710-17K00-YKV	COVER, FRAME FRONT NO.2 RH (BLACK)	1	FOR YKV
3-2	47710-17K00-YSF	COVER, FRAME FRONT NO.2 RH (BLUE)	1	FOR YSF
3-3	47710-17K00-YVZ	COVER, FRAME FRONT NO.2 RH (RED)	1	FOR YVZ
4	47122-17K00	.CUSHION, FRAME COVER NO.2	1	
5	47123-17K00	.CUSHION, FRAME COVER NO.3	1	
6-1	47810-17K00-YKV	COVER, FRAME FRONT NO.2 LH (BLACK)	1	FOR YKV
6-2	47810-17K00-YSF	COVER, FRAME FRONT NO.2 LH (BLUE)	1	FOR YSF
6-3	47810-17K00-YVZ	COVER, FRAME FRONT NO.2 LH (RED)	1	FOR YVZ
7	47122-17K00	.CUSHION, FRAME COVER NO.2	1	
8	47123-17K00	.CUSHION, FRAME COVER NO.3	1	
9	33652-38F20	CUSHION	2	
10	47121-17K00	CUSHION, FRAME COVER UPPER	2	
11	09139-05092	SCREW	2	
12	09148-05045	NUT	2	
13	03541-0516A	SCREW	2	
14	44572-13G00	FASTENER	2	
15	33652-47F00	CUSHION	2	

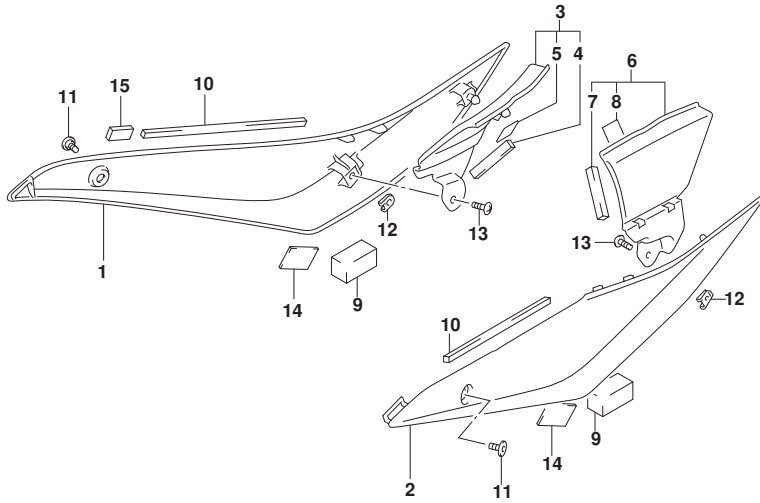


FIG.460A

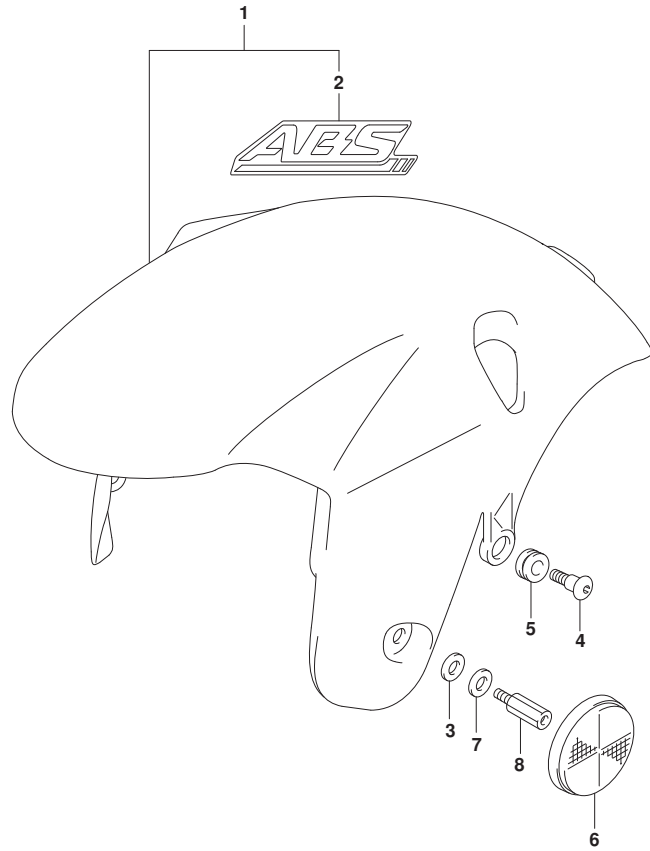


FIG.460A (1-E-11) FRONT FENDER (YSF,YVZ)

REF NO.	PART NO.	DESCRIPTION	Q'TY	REMARKS
1-1	53110-17K10-YSF	FENDER, FRONT (BLUE)	1	FOR YSF
1-2	53110-17K10-YVZ	FENDER, FRONT (RED)	1	FOR YVZ
2	68151-44G00-1ZY	.EMBLEM "ABS" (GRAY)	1	
3	53121-33E00	WASHER, FRONT FENDER	2	
4	09139-06206	SCREW	2	
5	09320-09016	CUSHION	2	
6	35950-14A11	REFLEX REFLECTOR ASSY, FR SIDE	2	
7	09160-08043	WASHER (8.5X18X1)	2	
8	35952-17K00	BOLT, FRONT SIDE REFL	2	



FIG.460B

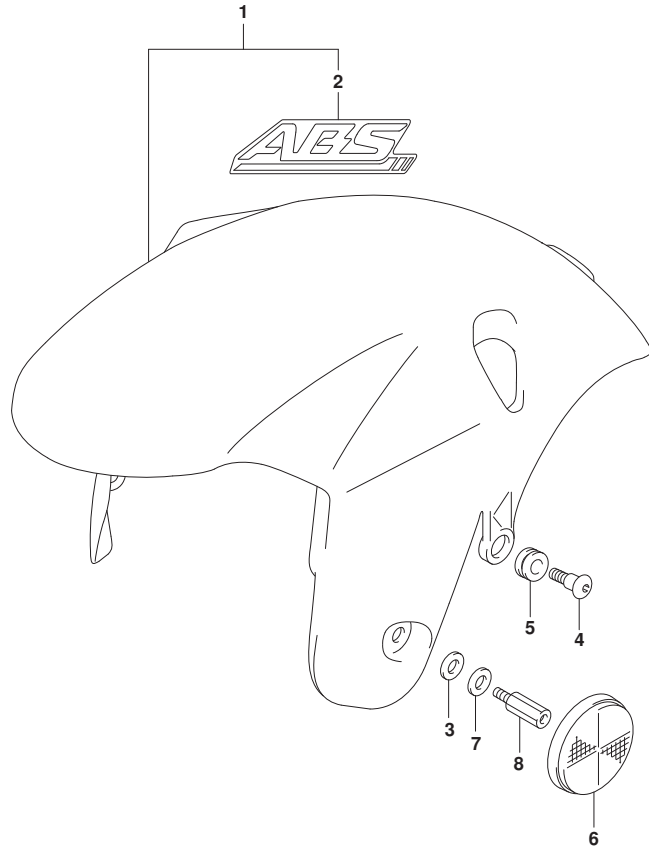
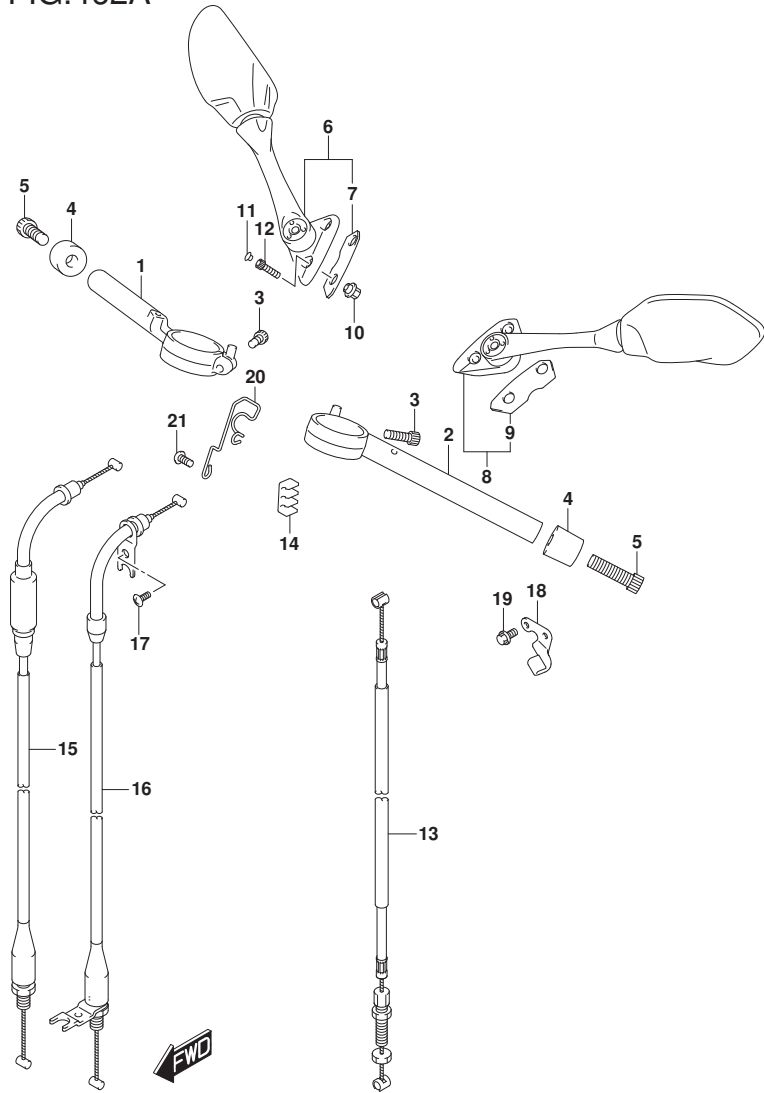


FIG.460B (1-E-12) FRONT FENDER (YKV)

REF NO.	PART NO.	DESCRIPTION	Q'TY	REMARKS
1	53110-17K20-YKV	FENDER, FRONT (BLACK)	1	
2	68151-44G10-GWM	.EMBLEM "ABS" (GRAY/BLACK)	1	
3	53121-33E00	WASHER, FRONT FENDER	2	
4	09139-06206	SCREW	2	
5	09320-09016	CUSHION	2	
6	35950-14A11	REFLEX REFLECTOR ASSY, FR SIDE	2	
7	09160-08043	WASHER (8.5X18X1)	2	
8	35952-17K00	BOLT, FRONT SIDE REFL	2	

FIG.462A



GSX-R1000AL7_E21_462A
HANDLEBAR

FIG.462A (1-E-13) HANDLEBAR

REF NO.	PART NO.	DESCRIPTION	Q'TY	REMARKS
1	56111-17K00	HANDLEBAR, RH	1	
2	56151-17K00	HANDLEBAR, LH	1	
3	09106-08185	BOLT (8X32)	2	
4	56278-17K00	BALANCER, HANDLEBAR	2	
5	09106-12001	BOLT (12X45)	2	
6	56500-17K00	MIRROR ASSY, REAR VIEW RH	1	
7	56525-17K00	.CUSHION, MIRROR	1	
8	56600-17K00	MIRROR ASSY, REAR VIEW LH	1	
9	56525-17K00	.CUSHION, MIRROR	1	
10	56619-41G01	NUT	4	
11	09250-05009	CAP (OD:10)	4	
12	07130-0620B	BOLT	4	
13	58200-17K00	CABLE ASSY, CLUTCH	1	
14	58285-17K00	CLAMP	1	
15	58300-17K00	CABLE ASSY, THROTTLE NO.1	1	
16	58300-17K10	CABLE ASSY, THROTTLE NO.2	1	
17	09125-05042	SCREW (5X10)	2	
18	58635-17K00	STOPPER, CLUTCH CABLE	1	
19	01550-0616A	BOLT	2	
20	58621-17K00	GUIDE, CABLE	1	
21	09139-06109	SCREW (6X16)	2	

GSX-R1000AL7_E21

FIG.467A

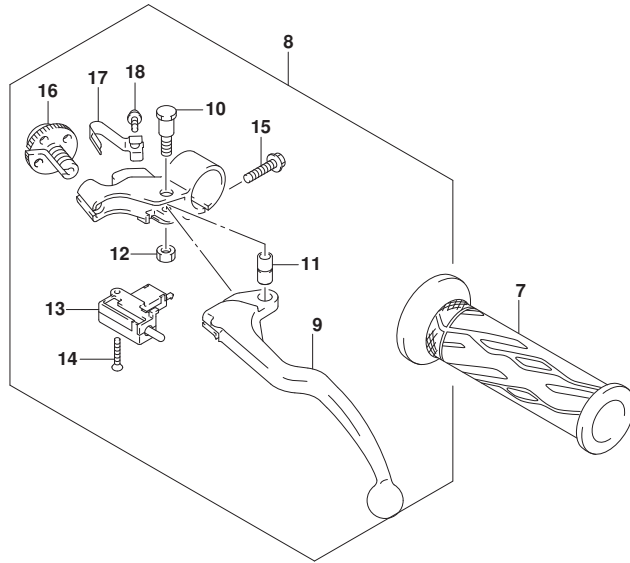
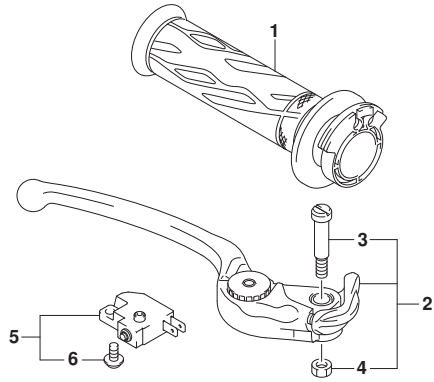


FIG.467A (1-E-14) HANDLE LEVER

REF NO.	PART NO.	DESCRIPTION	Q'TY	REMARKS
1	57110-21H02	GRIP, THROTTLE	1	
2	57300-17K00	LEVER ASSY, BLAKE	1	
3	57431-29G00	.BOLT, PIVOT	1	
4	57433-09F00	.NUT	1	
5	57460-14J01	SWITCH ASSY, FRONT BRAKE	1	
6	57465-17C00	.SCREW	1	
7	57211-21H01	GRIP, LH	1	
8	57500-41G41	LEVER ASSY, CLUTCH	1	
9	57621-41G10	.LEVER, CLUTCH	1	
10	57431-41G00	.BOLT	1	
11	57532-41G00	.COLLAR	1	
12	08319-3106A	.NUT	1	
13	57560-41G20	.SWITCH ASSY, CLUTCH	1	
14	57562-41G21	.SCREW	1	
15	01547-0620B	.BOLT	1	
16	57641-33E21	.NUT, CABLE ADJUSTER	1	
17	57644-33E00	.SPRING	1	
18	57642-33E00	.SCREW, SPRING	1	

FIG.474A

FIG.474A (1-E-15) REAR FENDER

REF NO.	PART NO.	DESCRIPTION	Q'TY	REMARKS
1	63111-17K00	FENDER, REAR FRONT	1	
2	63113-17K00	FENDER, REAR	1	
3	63114-17K00	MUDGUARD, REAR FENDER	1	
4	63116-17K00	FENDER, REAR REAR INNER	1	
5	63117-17K00	BOLT, REAR FENDER REAR	4	
6	63121-17K00	TAPE, REAR COMB RH	1	
7	63122-17K00	TAPE, REAR COMB LH	1	
8	94443-06G00	TAPE (6X25X0.13)	2	
9	09148-05038	NUT	2	
10	03541-0512A	SCREW	1	
11	03541-0516A	SCREW	3	
12	03541-0516B	SCREW	5	
13	08322-0106A	WASHER	2	
14	33652-05G20	CUSHION	2	
15	45148-27J00	PLUG, ELECTRIC PARTS HOLDER	1	
16	47431-17K00	HOLDER, BATTERY	1	
17	47441-17K00	HOLDER, ELECTRIC PARTS	1	
18	09111-06081	BOLT (6X18)	4	
19	03541-0516A	SCREW	2	
20	09321-06026	CUSHION	1	

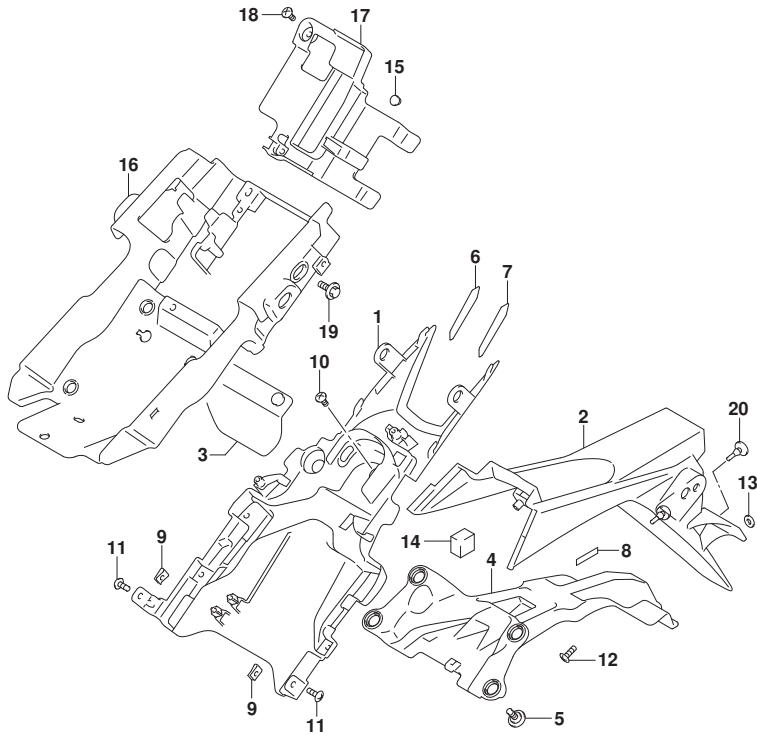


FIG.480A

FIG.480A (1-F-2) AIR INTAKE PIPE (YSF)

REF NO.	PART NO.	DESCRIPTION	Q'TY	REMARKS
1	94420-17K00	PIPE, AIR INTAKE RH	1	
2	63115-37H00	.CUSHION, INTAKE PIPE NO.2	1	
3	36930-60A10	.CUSHION, INATAKE PIPE	3	
4	94430-17K00	PIPE, AIR INTAKE LH	1	
5	63115-37H00	.CUSHION, INTAKE PIPE NO.2	1	
6	36930-60A10	.CUSHION, INATAKE PIPE	3	
7	09148-05052	NUT	4	
8	09320-08028	CUSHION	2	
9	09111-06106	BOLT (6X12)	2	
10	94671-17K00-YKV	COVER, INTAKE (BLACK)	1	
11	94670-17K10-YSF	COVER, INTAKE RH (BLUE)	1	
12	68275-17K10-BDJ	.TAPE, INTAKE COVER RH	1	
13	73415-70A00	.CUSHION	1	
14	94680-17K10-YSF	COVER, INTAKE LH (BLUE)	1	
15	68276-17K10-BDJ	.TAPE, INTAKE COVER LH	1	
16	73415-70A00	.CUSHION	1	
17	94414-17K00	COVER, INTAKE UPPER RH	1	
18	94415-17K00	COVER, INTAKE UPPER LH	1	
19	09132-05050	SCREW (5X12)	2	
20	36930-82010	CUSHION, COVER INTAKE NO.1	2	
21	94476-38C00	CUSHION, COVER INTAKE CTR	4	CUT AS REQUIRED
22	94633-31J00	CUSHION, COVER SIDE	2	
23	09321-06013	CUSHION	2	
24	09409-06314	CLIP	16	
25	03541-0412B	SCREW	2	
26	03541-0512B	SCREW	4	

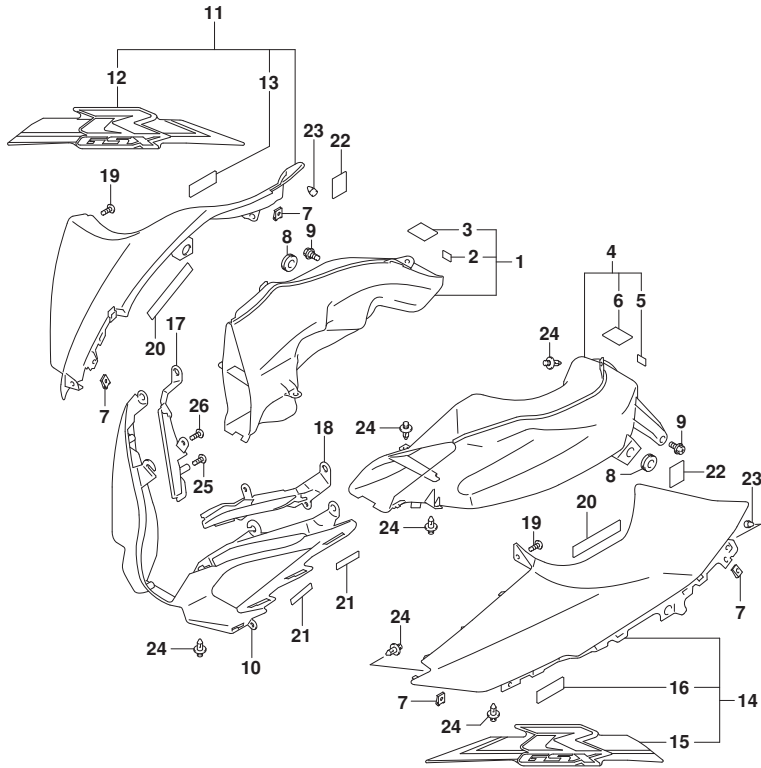


FIG.480B

FIG.480B (1-F-3) AIR INTAKE PIPE (YKV,YVZ)

REF NO.	PART NO.	DESCRIPTION	Q'TY	REMARKS
1	94420-17K00	PIPE, AIR INTAKE RH	1	
2	63115-37H00	.CUSHION, INTAKE PIPE NO.2	1	
3	36930-60A10	.CUSHION, INATAKE PIPE	3	
4	94430-17K00	PIPE, AIR INTAKE LH	1	
5	63115-37H00	.CUSHION, INTAKE PIPE NO.2	1	
6	36930-60A10	.CUSHION, INATAKE PIPE	3	
7	09148-05052	NUT	4	
8	09320-08028	CUSHION	2	
9	09111-06106	BOLT (6X12)	2	
10	94671-17K00-YKV	COVER, INTAKE (BLACK)	1	
11-1	94670-17K00-YKV	COVER, INTAKE RH (BLACK)	1	FOR YKV
11-2	94670-17K00-YVZ	COVER, INTAKE RH (RED)	1	FOR YVZ
12-1	68275-17K00-BDK	.TAPE, INTAKE COVER RH	1	FOR YKV
12-2	68275-17K00-BDQ	.TAPE, INTAKE COVER RH	1	FOR YVZ
13	73415-70A00	.CUSHION	1	
14-1	94680-17K00-YKV	COVER, INTAKE LH (BLACK)	1	FOR YKV
14-2	94680-17K00-YVZ	COVER, INTAKE LH (RED)	1	FOR YVZ
15-1	68276-17K00-BDK	.TAPE, INTAKE COVER LH	1	FOR YKV
15-2	68276-17K00-BDQ	.TAPE, INTAKE COVER LH	1	FOR YVZ
16	73415-70A00	.CUSHION	1	
17	94414-17K00	COVER, INTAKE UPPER RH	1	
18	94415-17K00	COVER, INTAKE UPPER LH	1	
19	09132-05050	SCREW (5X12)	2	
20	36930-82010	CUSHION, COVER INTAKE NO.1	2	
21	94476-38C00	CUSHION, COVER INTAKE CTR	4	CUT AS REQUIRED
22	94633-31J00	CUSHION, COVER SIDE	2	
23	09321-06013	CUSHION	2	
24	09409-06314	CLIP	16	
25	03541-0412B	SCREW	2	
26	03541-0512B	SCREW	4	

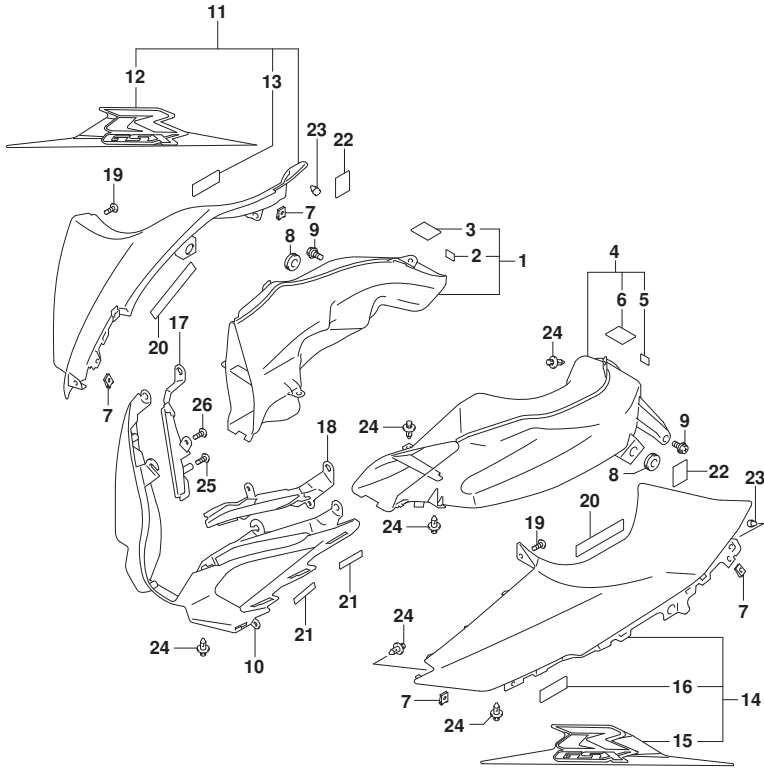


FIG.481A

FIG.481A (1-F-4) COWLING BODY (YSF)

REF NO.	PART NO.	DESCRIPTION	Q'TY	REMARKS
1	94410-17K10-YSF	BODY, COWLING (BLUE)	1	
2	44192-44H00	.CUSHION	1	
3	44572-02F01	.FASTENER	1	
4	44572-37H00	.FASTENER, COWLING	2	
5	94443-21H00	.TAPE, COWLING BODY	2	
6	68270-17K00-BDH	.TAPE, SET COWLING BODY	1	
7	94611-17K00	WINDSCREEN	1	
8	94631-17K00	SCREW, WINDSCREEN FRONT	4	
9	94621-17K00	SCREW, WINDSCREEN REAR	2	
10	09159-05019	NUT	6	
11	94511-17K00	BRACE, COWLING	1	
12	09103-08207	BOLT (8X45)	2	
13	08313-2008A	NUT	2	
14	09320-08028	CUSHION	2	
15	94630-17K00	PANEL, METER RH	1	
16	33652-20C00	.CUSHION	1	CUT AS REQUIRED
17	44279-18K00	.CUSHION	1	
18	73415-70A00	.PAD	1	
19	94640-17K00	PANEL, METER LH	1	
20	33652-20C00	.CUSHION	1	CUT AS REQUIRED
21	44279-18K00	.CUSHION	1	
22	73415-70A00	.PAD	1	

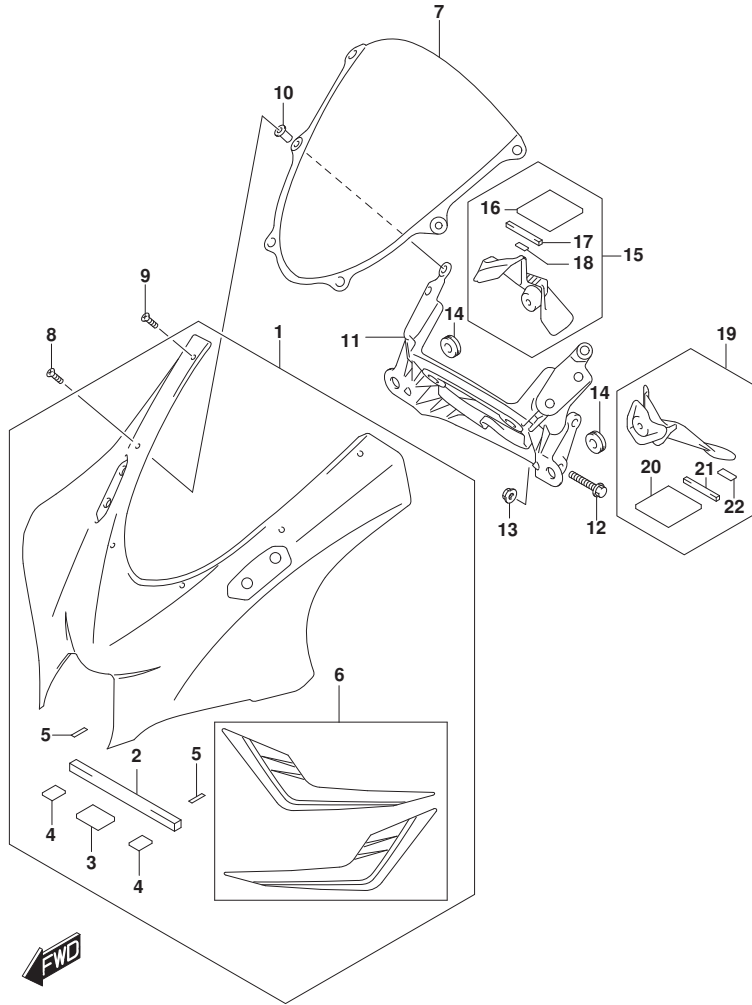


FIG.481B

FIG.481B (1-F-5) COWLING BODY (YKV,YVZ)

REF NO.	PART NO.	DESCRIPTION	Q'TY	REMARKS
1-1	94410-17K00-YKV	BODY, COWLING (BLACK)	1	FOR YKV
1-2	94410-17K00-YVZ	BODY, COWLING (RED)	1	FOR YVZ
2	44192-44H00	.CUSHION	1	
3	44572-02F01	.FASTENER	1	
4	44572-37H00	.FASTENER, COWLING	2	
5	94443-21H00	.TAPE, COWLING BODY	2	
6	94611-17K00	WINDSCREEN	1	
7	94631-17K00	SCREW, WINDSCREEN FRONT	4	
8	94621-17K00	SCREW, WINDSCREEN REAR	2	
9	09159-05019	NUT	6	
10	94511-17K00	BRACE, COWLING	1	
11	09103-08207	BOLT (8X45)	2	
12	08313-2008A	NUT	2	
13	09320-08028	CUSHION	2	
14	94630-17K00	PANEL, METER RH	1	
15	33652-20C00	.CUSHION	1	CUT AS REQUIRED
16	44279-18K00	.CUSHION	1	
17	73415-70A00	.PAD	1	
18	94640-17K00	PANEL, METER LH	1	
19	33652-20C00	.CUSHION	1	CUT AS REQUIRED
20	44279-18K00	.CUSHION	1	
21	73415-70A00	.PAD	1	

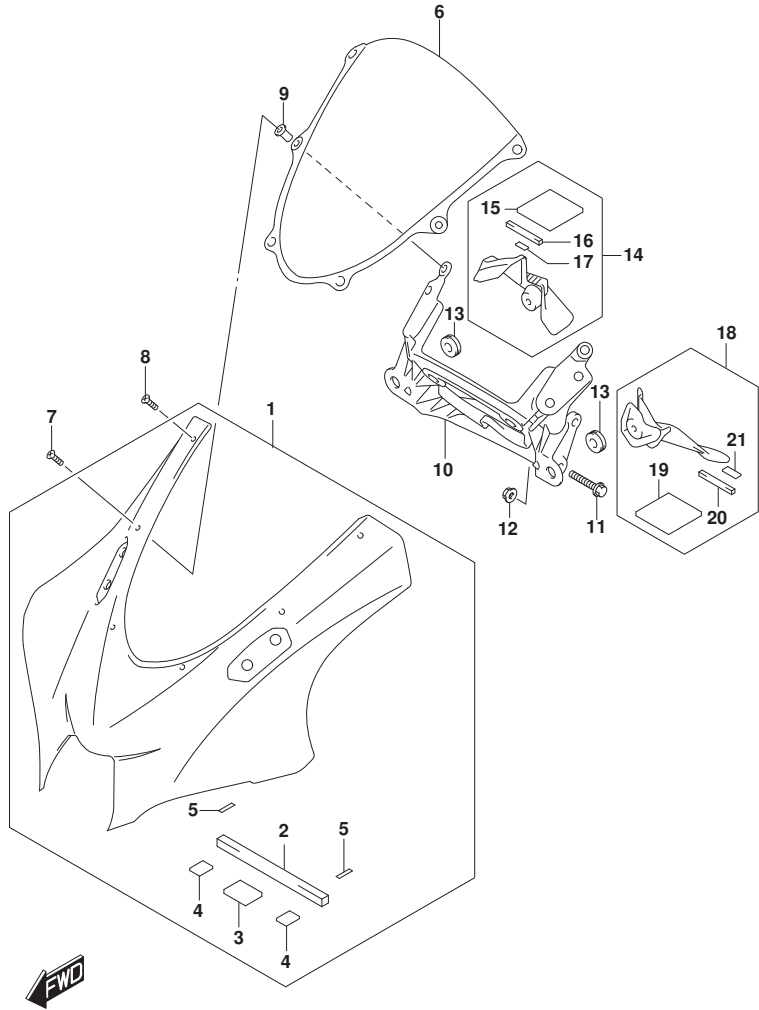


FIG.483A

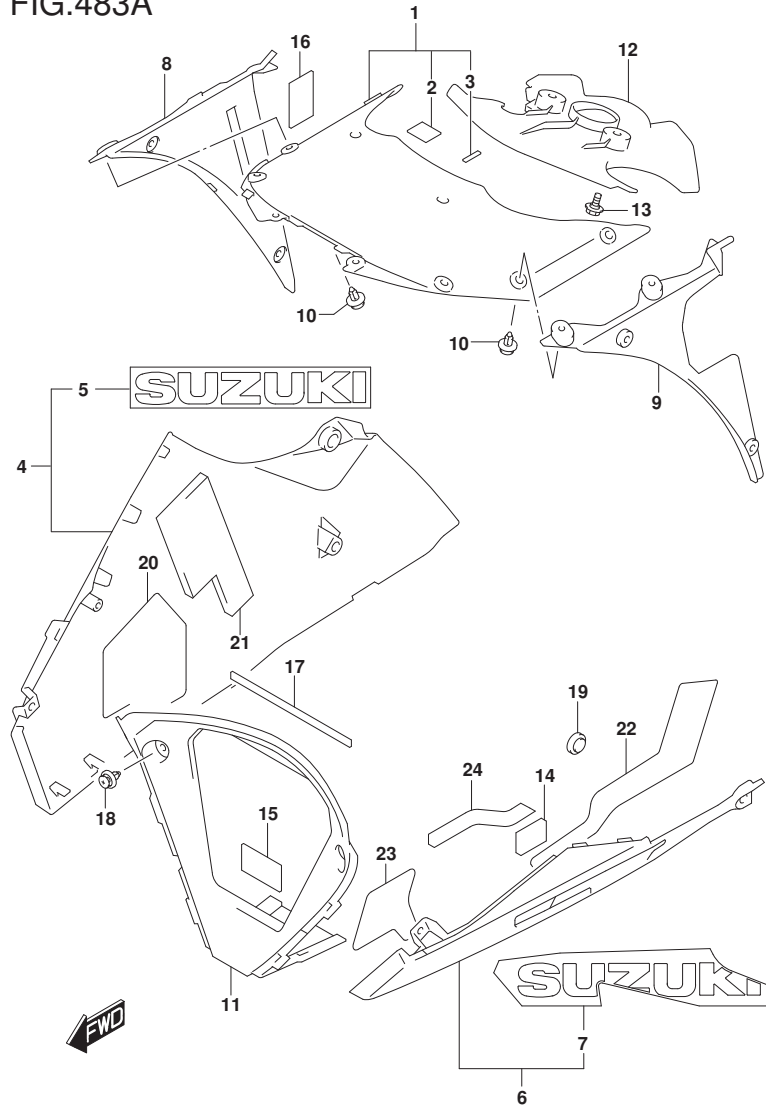


FIG.483A (1-F-6) UNDER COWLING

REF NO.	PART NO.	DESCRIPTION	Q'TY	REMARKS
1	94620-17K00	COVER, BODY COWL	1	
2	36930-60A10	.CUSHION, BODY COWL COVER	2	
3	94443-06G00	TAPE (6X25X0.13)	2	
4-1	94400-17K00-YKV	COWLING, UNDER RH (BLACK)	1	FOR YKV
4-2	94400-17K00-YVZ	COWLING, UNDER RH (RED)	1	FOR YVZ
4-3	94400-17K00-4TX	COWLING, UNDER RH (BLACK)	1	FOR YSF
5-1	68181-47HA1-19A	.EMBLEM, "SUZUKI" (RED)	1	FOR YKV
5-2	68181-47HA1-019	.EMBLEM, "SUZUKI" (BLACK)	1	FOR YVZ
5-3	68181-47HA1-YWW	.EMBLEM, "SUZUKI" (WHITE)	1	FOR YSF
6-1	94500-17K00-YKV	COWLING, UNDER LH (BLACK)	1	FOR YKV
6-2	94500-17K00-YVZ	COWLING, UNDER LH (RED)	1	FOR YVZ
6-3	94500-17K00-4TX	COWLING, UNDER LH (BLACK)	1	FOR YSF
7-1	68191-17K00-AX2	.EMBLEM, "SUZUKI"	1	FOR YKV
7-2	68191-17K00-ABV	.EMBLEM, "SUZUKI"	1	FOR YVZ
7-3	68191-17K00-AHB	.EMBLEM, "SUZUKI"	1	FOR YSF
8	94461-17K00	COWLING, UNDER INNER RH	1	
9	94462-17K00	COWLING, UNDER INNER LH	1	
10	09409-06314	CLIP	4	
11	94491-17K00	COWLING, UNDER CTR	1	
12	94458-17K00	COVER, LOWER BRACKET	1	
13	09111-06107	BOLT (6X12)	2	
14	33652-13G00	CUSHION, UNDER RH	1	
15	33652-35400	CUSHION, UNDER COWL NO.2	1	
16	36930-60A10	CUSHION, SIDE FRONT	3	
17	47121-31J00	CUSHION, UNDER COWL NO.1	1	
18	94479-35F00	CLIP	2	
19	09321-10018	CUSHION	2	
20	94476-17K00	SHIELD, UNDER COWL HEAT RH	1	
21	94477-17K10	CUSHION, SIDE REAR RH NO.2	1	
22	94486-17K00	SHIELD, UNDER COWL HEAT RH	1	
23	94486-17K10	SHIELD, UNDER COWL HEAT LH	1	
24	94487-17K10	CUSHION, SIDE REAR LH NO.2	1	

FIG.485A

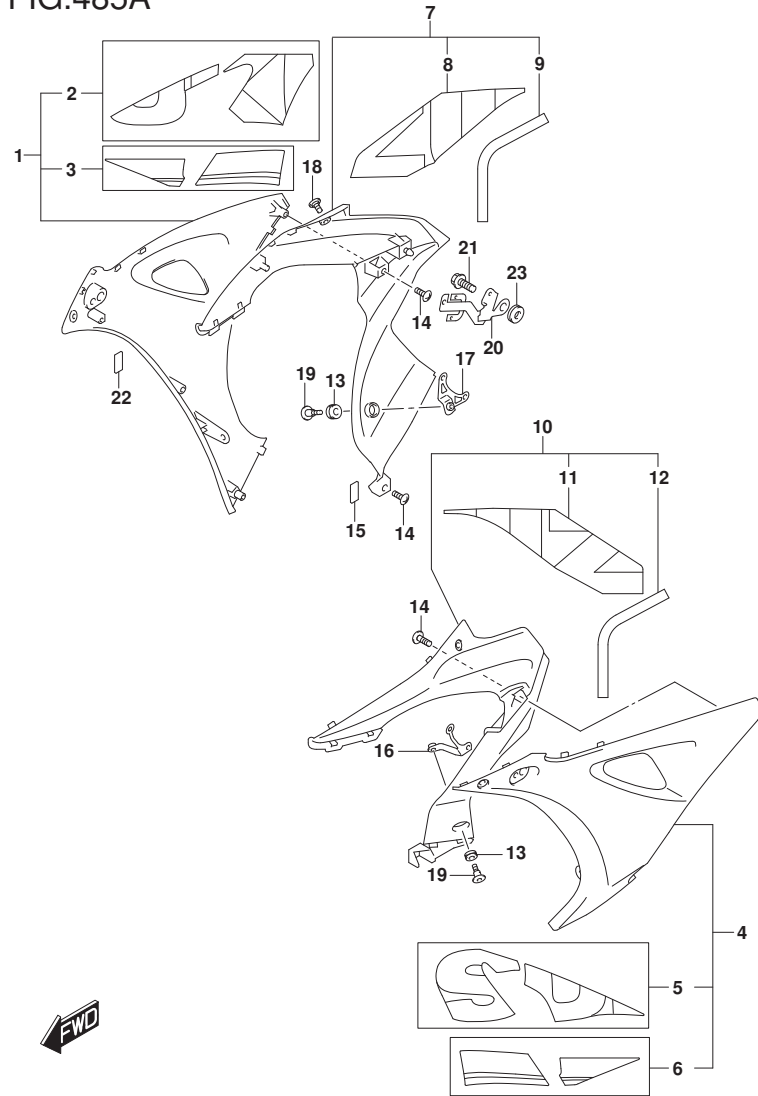


FIG.485A (1-F-7) SIDE COWLING (YSF)

REF NO.	PART NO.	DESCRIPTION	Q'TY	REMARKS
1	94470-17K10-YSF	COWLING, SIDE RH (BLUE)	1	
2	68685-17K10-AGQ	.TAPE, SIDE COWLING UPPER RH	1	
3	68685-17K20-BDH	.TAPE, SIDE COWLING LOWER RH	1	
4	94480-17K10-YSF	COWLING, SIDE LH (BLUE)	1	
5	68695-17K10-AGQ	.TAPE, SIDE COWLING UPPER LH	1	
6	68695-17K20-BDH	.TAPE, SIDE COWLING LOWER LH	1	
7	94450-17K10-YSF	COWLING, SIDE REAR RH (BLUE)	1	
8	68680-17K00-AGQ	.TAPE, SIDE COWLING REAR RH	1	
9	94477-17K00	.CUSHION	1	
10	94460-17K10-YSF	COWLING, SIDE REAR LH (BLUE)	1	
11	68690-17K00-AGQ	.TAPE, SIDE COWLING REAR LH	1	
12	94487-17K00	.CUSHION	1	
13	09320-09016	CUSHION	4	
14	03541-0516A	SCREW	6	
15	94477-17K20	CUSHION, SIDE REAR RH NO.3	1	
16	94520-17K00	BRACKET, UNDER COWL LH	1	
17	94540-17K00	BRACKET, UNDER COWL RH	1	
18	09139-05091	SCREW	4	
19	09139-06206	SCREW	4	
20	94530-17K00	BRACKET, SIDE COWL RH	1	
21	01550-0625A	BOLT	1	
22	36930-60A10	CUSHION, SIDE FRONT	1	
23	94478-14J00	CUSHION, UNDER COWLING	2	

FIG.485B

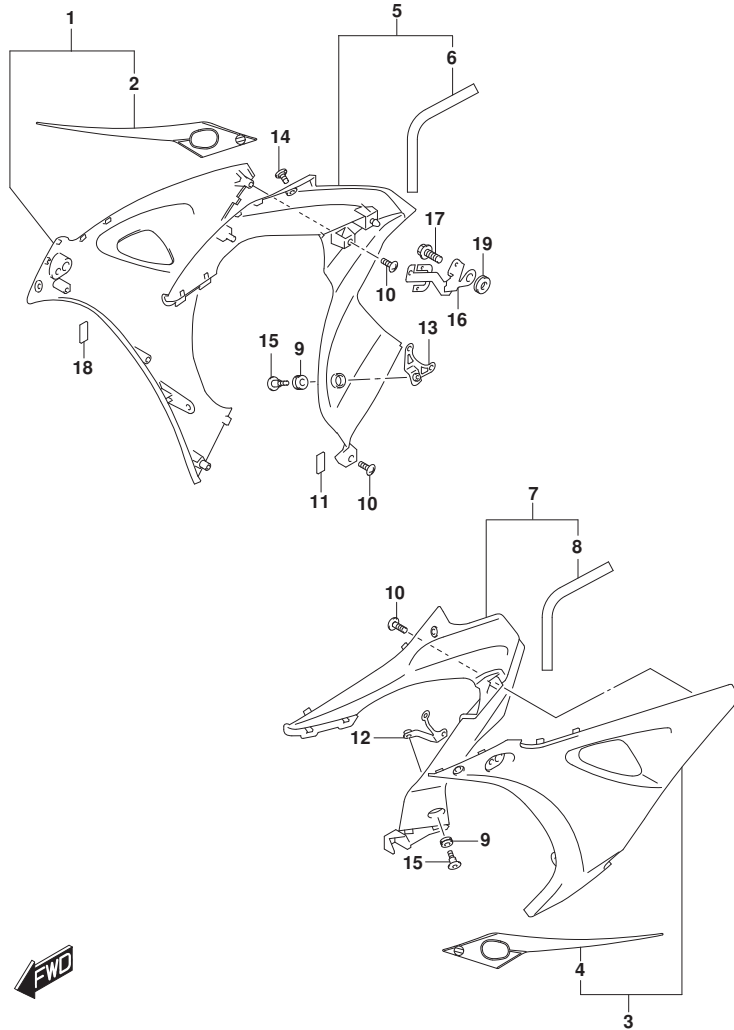


FIG.485B (1-F-8) SIDE COWLING (YKV,YVZ)

REF NO.	PART NO.	DESCRIPTION	Q'TY	REMARKS
1-1	94470-17K00-YKV	COWLING, SIDE RH (BLACK)	1	FOR YKV
1-2	94470-17K00-YVZ	COWLING, SIDE RH (RED)	1	FOR YVZ
2-1	68685-17K00-AX2	.TAPE, SIDE COWLING UPPER RH	1	FOR YKV
2-2	68685-17K00-JSP	.TAPE, SIDE COWLING UPPER RH	1	FOR YVZ
3-1	94480-17K00-YKV	COWLING, SIDE LH (BLACK)	1	FOR YKV
3-2	94480-17K00-YVZ	COWLING, SIDE LH (RED)	1	FOR YVZ
4-1	68695-17K00-AX2	.TAPE, SIDE COWLING UPPER LH	1	FOR YKV
4-2	68695-17K00-JSP	.TAPE, SIDE COWLING UPPER LH	1	FOR YVZ
5-1	94450-17K00-YKV	COWLING, SIDE REAR RH (BLACK)	1	FOR YKV
5-2	94450-17K00-YVZ	COWLING, SIDE REAR RH (RED)	1	FOR YVZ
6	94477-17K00	.CUSHION	1	
7-1	94460-17K00-YKV	COWLING, SIDE REAR LH (BLACK)	1	FOR YKV
7-2	94460-17K00-YVZ	COWLING, SIDE REAR LH (RED)	1	FOR YVZ
8	94487-17K00	.CUSHION	1	
9	09320-09016	CUSHION	4	
10	03541-0516A	SCREW	6	
11	94477-17K20	CUSHION, SIDE REAR RH NO.3	1	
12	94520-17K00	BRACKET, UNDER COWL LH	1	
13	94540-17K00	BRACKET, UNDER COWL RH	1	
14	09139-05091	SCREW	4	
15	09139-06206	SCREW	4	
16	94530-17K00	BRACKET, SIDE COWL RH	1	
17	01550-0625A	BOLT	1	
18	36930-60A10	CUSHION, SIDE FRONT	1	
19	94478-14J00	CUSHION, UNDER COWLING	2	

FIG.496A

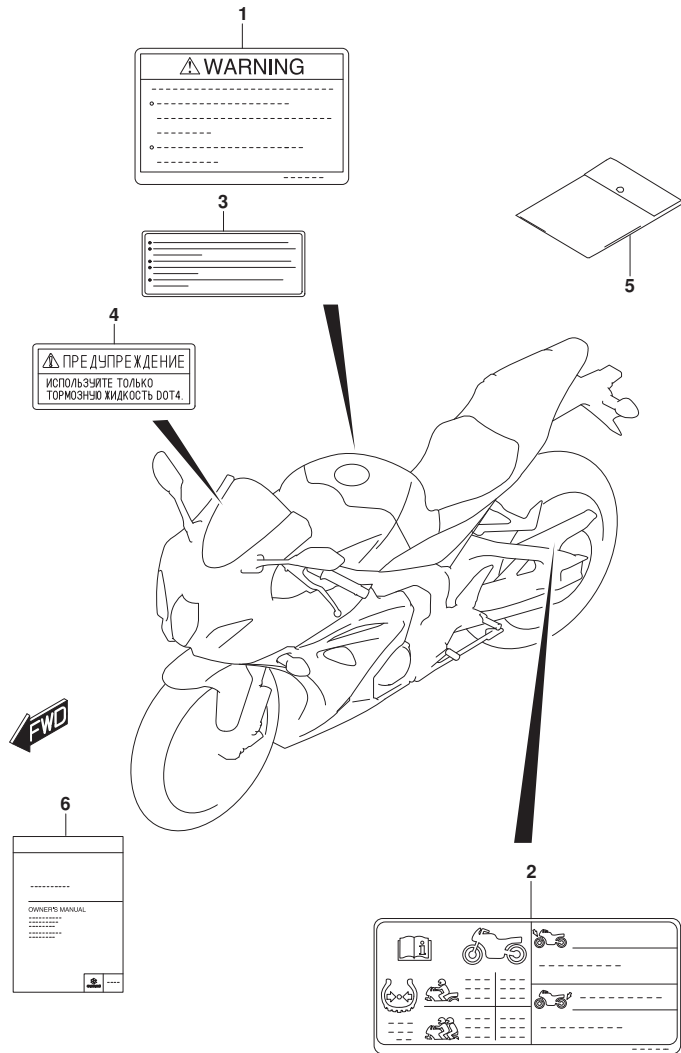


FIG.496A (1-F-9) LABEL

REF NO.	PART NO.	DESCRIPTION	Q'TY	REMARKS
1-1	68319-49J00	LABEL, GENERAL WARNING (ENGLISH)	1	
1-2	68319-49J20	LABEL, GENERAL WARNING (GERMAN)	1	
1-3	68319-49J30	LABEL, GENERAL WARNING (FRENCH)	1	
1-4	68319-49J40	LABEL, GENERAL WARNING (ITALIAN)	1	
1-5	68319-49J50	LABEL, GENERAL WARNING (SPANISH)	1	
1-6	68319-49J70	LABEL, GENERAL WARNING (DUTCH)	1	
1-7	68319-49J80	LABEL, GENERAL WARNING (PORTUGUESE)	1	
1-8	68319-49J90	LABEL, GENERAL WARNING (SWEDISH)	1	
1-9	68319-49JA0	LABEL, GENERAL WARNING (FINNISH)	1	
1-10	68319-49JB0	LABEL, GENERAL WARNING (NORWEGIAN)	1	
1-11	68319-49JC0	LABEL, GENERAL WARNING (DANISH)	1	
1-12	68319-49JP0	LABEL, GENERAL WARNING (RUSSIAN)	1	
1-13	68319-02K40	LABEL, GENERAL WARNING (ITALIAN)	1	
1-14	68319-02K90	LABEL, GENERAL WARNING (SWEDISH)	1	

FIG.496A

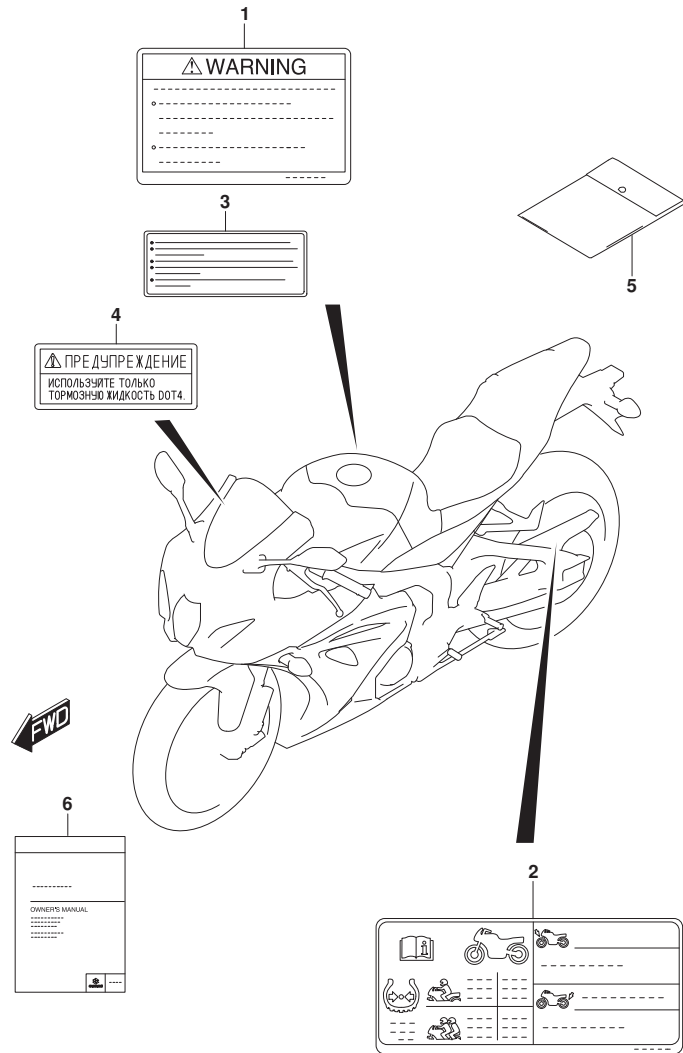


FIG.496A (1-F-10) LABEL

REF NO.	PART NO.	DESCRIPTION	Q'TY	REMARKS
2	68332-17K00	LABEL, TIRE INFORMATION	1	
3	18803-45G00	LABEL, FUEL INFORMATION	1	
4	68386-14J00	LABEL, BRAKE FLUID INFORMATION (RUSSIAN)	2	
5	94980-42A01	BAG, MANUAL	1	
6-1	99011-17K50-01A	MANUAL, OWNER'S (ENGLISH)	1	
6-2	99011-17K50-01F	MANUAL, OWNER'S (FRENCH)	1	
6-3	99011-17K50-01K	MANUAL, OWNER'S (GERMAN)	1	
6-4	99011-17K50-01W	MANUAL, OWNER'S (SWEDISH)	1	
6-5	99011-17K50-01E	MANUAL, OWNER'S (ITALIAN)	1	
6-6	99011-17K50-01H	MANUAL, OWNER'S (DUTCH)	1	
6-7	99011-17K50-029	MANUAL, OWNER'S (SPANISH)	1	
6-8	99011-17K50-070	MANUAL, OWNER'S (RUSSIAN)	1	
6-9	99011-17K50-01T	MANUAL, OWNER'S (DANISH)	1	

FIG.505A

FIG.505A (1-F-11) SEAT

REF NO.	PART NO.	DESCRIPTION	Q'TY	REMARKS
1	45100-17K00-W05	SEAT ASSY (BLACK)	1	
2	45149-37H00	.CUSHION	1	
3	09321-10002	.CUSHION (11.5X22X20)	6	
4	45220-04K20	BRACKET, SEAT SUPPORT	1	
5	45241-17K00	SCREW	2	
6	45280-17K00	CABLE, SEAT LOCK	1	
7	45288-14F00	GUIDE, SEAT LOCK CABLE	1	
8	45289-11F00	PLATE, SEAT LOCK ASSY	1	
9	45300-17K00-W05	SEAT ASSY, PILLION (BLACK)	1	
10	45148-20G90	.CUSHION SEAT MOUNT	2	
11	45290-17K00	.STRIKER	1	
12	45380-17K00-W05	.BAND ASSY, SEAT (BLACK)	1	
13	09160-06126	.WASHER (6.5X14X2)	2	
14	08316-1006A	.NUT	2	
15	09251-09002	.CAP (OD:13.6)	2	
16	95700-14810	LOCK SET, SEAT	1	
17	08316-1006A	NUT	2	
18	96514-17K00	HEXAGON, SPANNER 5	1	
19	96514-17K10	HEXAGON, SPANNER 4	1	

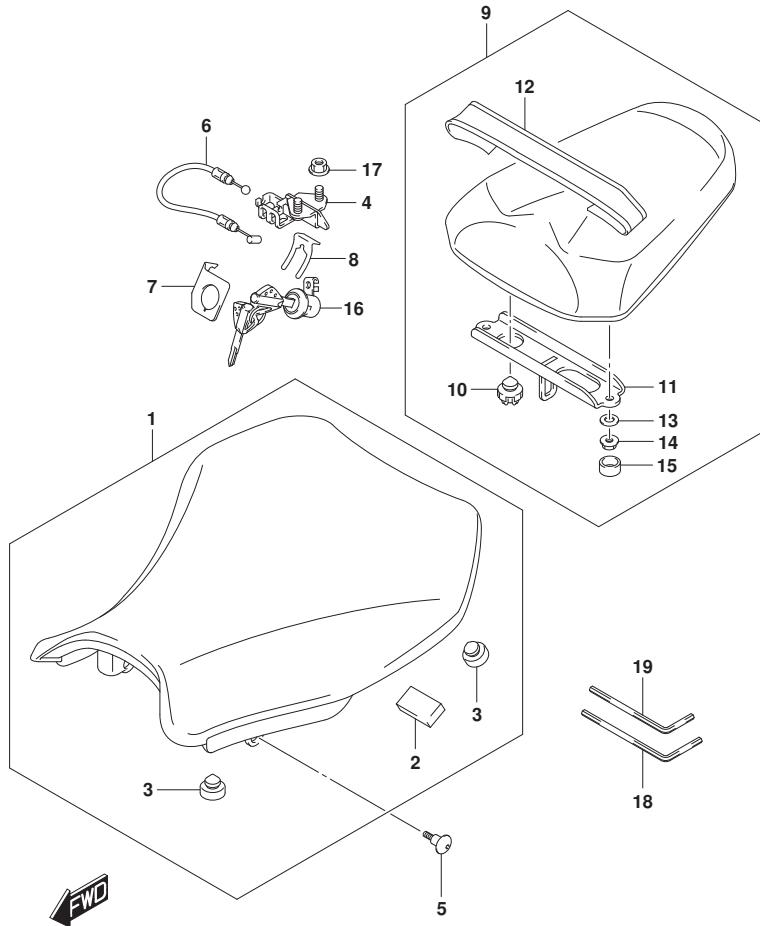


FIG.521A

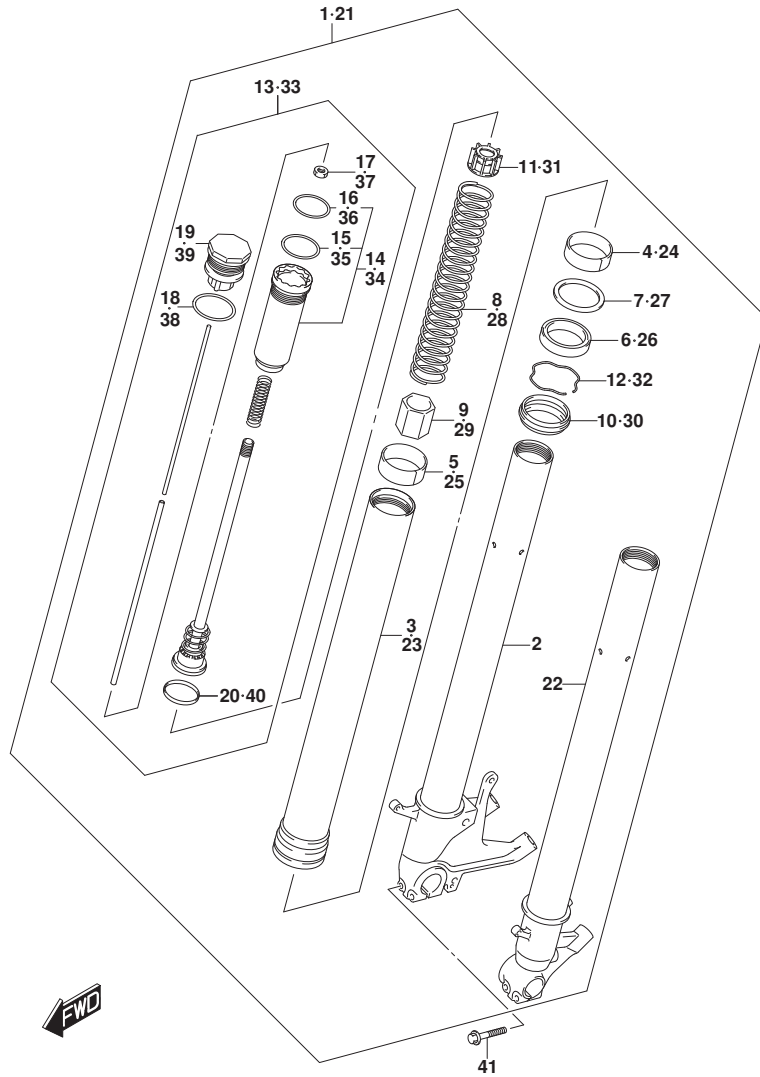


FIG.521A (1-F-12) FRONT FORK DAMPER

REF NO.	PART NO.	DESCRIPTION	Q'TY	REMARKS
1	51103-17K00	DAMPER ASSY, FRONT FORK RH	1	
2	51110-17K00	.TUBE, INNER RH	1	
3	51131-17K00	.TUBE, OUTER	1	
4	51152-47H00	.BUSH, GUIDE	1	
5	51152-47H10	.BUSH, SLIDE	1	
6	51153-47H00	.SEAL, OIL	1	
7	51168-29G00	.SPACER, SEAL	1	
8	51171-47H20	.SPRING	1	
9	51176-47H20	.COLLAR, SPRING	1	
10	51173-27G00	.SEAL, DUST	1	
11	51175-47H00	.COLLAR, SPRING	1	
12	51556-38B00	.RING, STOPPER	1	
13	52110-17K00	.ROD, PISTON	1	
14	51174-17K00	..CASE, ROD GUIDE	1	
15	51118-47H00	...RING, PISTON	1	
16	51187-47H10	...O RING	1	
17	51827-29G00	..NUT	1	
18	51187-47H00	..O RING	1	
19	51189-17K00	..BOLT	1	
20	51118-47H20	..RING, PISTON	1	

FIG.521A

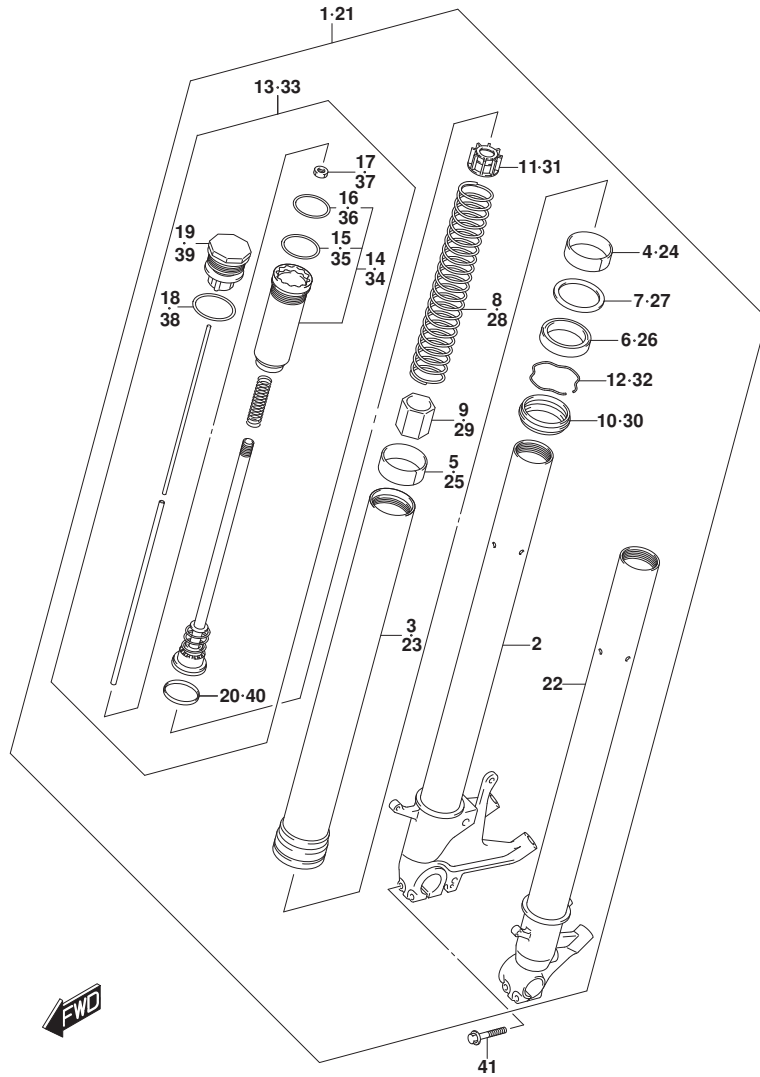


FIG.521A (1-F-13) FRONT FORK DAMPER

REF NO.	PART NO.	DESCRIPTION	Q'TY	REMARKS
21	51104-17K00	DAMPER ASSY, FRONT FORK LH	1	
22	51120-17K00	.TUBE, INNER LH	1	
23	51131-17K00	.TUBE, OUTER	1	
24	51152-47H00	.BUSH, GUIDE	1	
25	51152-47H10	.BUSH, SLIDE	1	
26	51153-47H00	.SEAL, OIL	1	
27	51168-29G00	.SPACER, SEAL	1	
28	51171-47H20	.SPRING	1	
29	51176-47H20	.COLLAR, SPRING	1	
30	51173-27G00	.SEAL, DUST	1	
31	51175-47H00	.COLLAR, SPRING	1	
32	51556-38B00	.RING, STOPPER	1	
33	52110-17K00	.ROD, PISTON	1	
34	51174-17K00	..CASE, ROD GUIDE	1	
35	51118-47H00	...RING, PISTON	1	
36	51187-47H10	...O RING	1	
37	51827-29G00	..NUT	1	
38	51187-47H00	..O RING	1	
39	51189-17K00	..BOLT	1	
40	51118-47H20	..RING, PISTON	1	
41	51321-36F00	BOLT	4	

FIG.524A

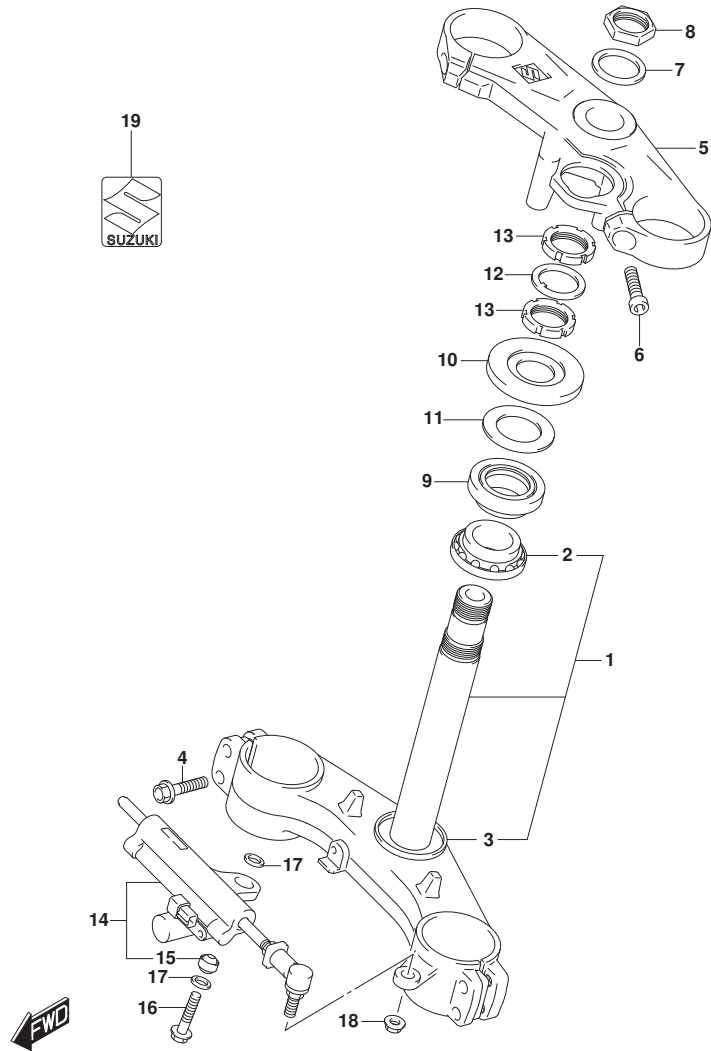


FIG.524A (1-F-14) STEERING STEM

REF NO.	PART NO.	DESCRIPTION	Q'TY	REMARKS
1	51410-17K00	STEM, STEERING	1	
2	09267-30010	.BEARING (30X55X17)	1	
3	51644-12C00	.SEAL, STEM LOWER	1	
4	51328-27E30	BOLT	4	
5	51311-47H00	HEAD, STEERING STEM	1	
6	51321-27E30	BOLT, HOLDER (8X25)	2	
7	51354-01H00	WASHER	1	
8	51353-01H00	NUT	1	
9	09267-30010	BEARING (30X55X17)	1	
10	51643-41G00	COVER, STEERING UPPER	1	
11	51644-12C00	SEAL, UPPER DUST	1	
12	51641-33E00	WASHER, STEM	1	
13	51631-33E00	NUT, STEM	2	
14	51750-21H30	DAMPER ASSY, STEERING	1	
15	09269-08003	.BEARING (8X17.5X11)	1	
16	09103-08391	BOLT (8X35)	1	
17	64339-14101	SEAL, PILLOWBALL DUST	2	
18	08319-3108A	NUT	1	
19	68281-47HA0	EMBLEM, "S"	1	

FIG.530A

FIG.530A (1-F-15) FRONT WHEEL

REF NO.	PART NO.	DESCRIPTION	Q'TY	REMARKS
1-1	54111-17K00-QGY	WHEEL, FRONT (17M/CXMT3.50) (RED)	1	FOR YKV
1-2	54111-17K00-019	WHEEL, FRONT (17M/CXMT3.50) (BLACK)	1	FOR YSF,YVZ
2	54731-35F10	SPACER, HUB BEARING	1	
3	09262-25167	BEARING (25X52X15)	2	
4	09285-32004	OIL SEAL (32X52X7)	2	
5	54711-47H00	AXLE, FRONT	1	
6	54712-47H00	NUT, FRONT AXLE	1	
7	54751-41G10	SPACER, FRONT AXLE, RH	1	
8	59210-17K00	DISC, FRONT BRAKE	2	
9	54162-47H00	RING, SPEED SENSOR FR (48T)	1	
10	09106-06134	BOLT (6X23)	12	
11	55110-17K00	TIRE, FRONT, 120/70 ZR17M/C (58W)	1	BATTLAX RACING STREET RS10F E BRIDGESTONE
12	43130-24A00	VALVE ASSY, WHEEL RIM (TR412)	1	
13-1	55411-22H00	BALANCER, WHEEL NO.1	AR	10G
13-2	55412-22H00	BALANCER, WHEEL NO.2	AR	20G
13-3	55413-22H00	BALANCER, WHEEL NO.3	AR	30G
14-1	68251-17K00-ABV	TAPE, RH (RED/BLACK)	1	FOR YVZ
14-2	68251-17K00-A29	TAPE, RH (BLACK/ORANGE/YELLOW)	1	FOR YSF
15-1	68252-17K00-ABV	TAPE, LH (RED/BLACK)	1	FOR YVZ
15-2	68252-17K00-A29	TAPE, LH (BLACK/ORANGE/YELLOW)	1	FOR YSF

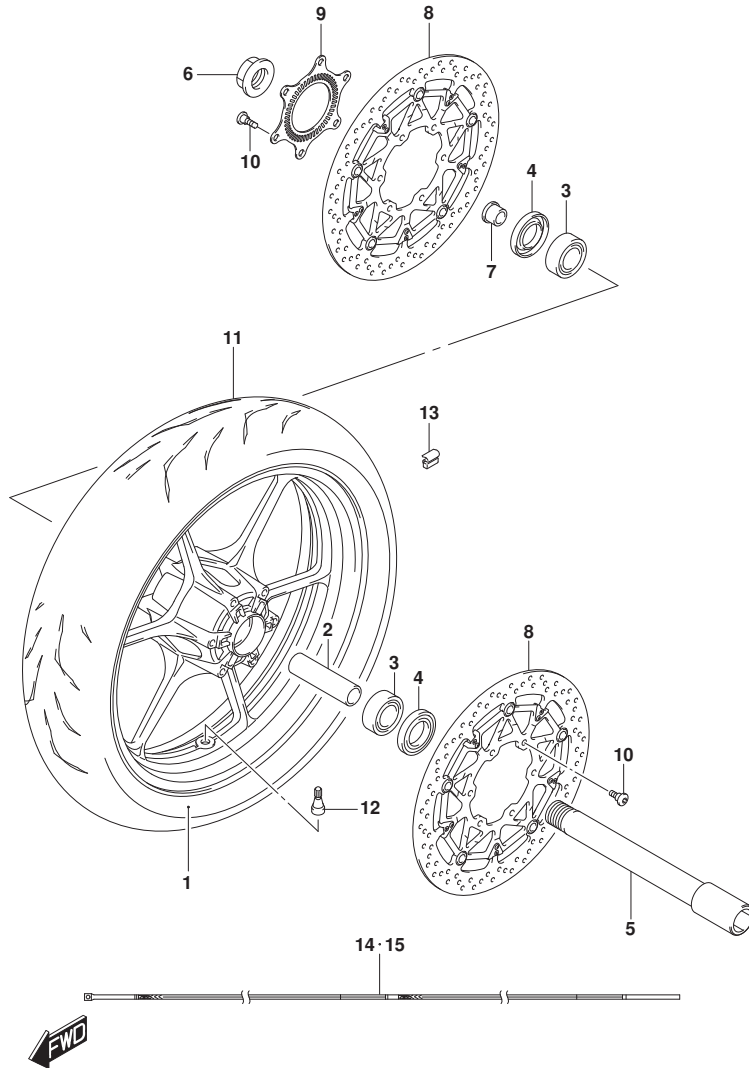


FIG.533A

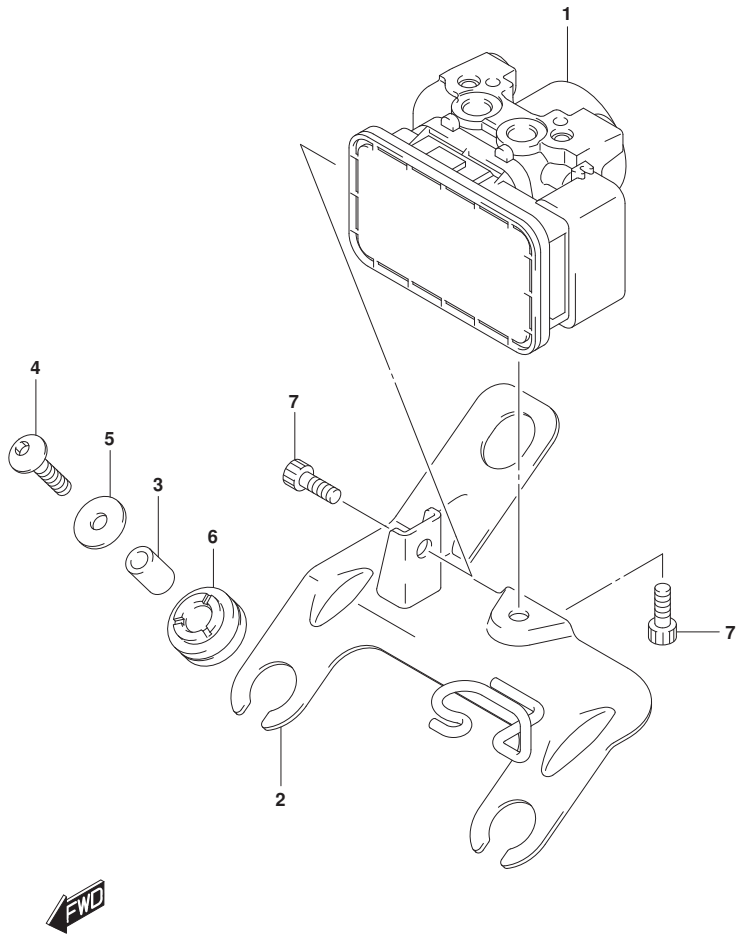


FIG.533A (1-G-2) HYDRAULIC UNIT

REF NO.	PART NO.	DESCRIPTION	Q'TY	REMARKS
1	55610-17K00	UNIT ASSY, HYDRAULIC ABS	1	
2	55660-17K00	HOLDER, HYDR UNIT	1	
3	55662-17K00	SPACER, HYDR UNIT MTG	3	
4	09139-06207	BOLT	3	
5	09160-06088	WASHER (6.5X20X1.6)	3	
6	09320-10066	RUBBER	3	
7	07130-0612A	BOLT	2	

FIG.534A

FIG.534A (1-G-3) BODY ELECTRICAL

REF NO.	PART NO.	DESCRIPTION	QTY	REMARKS
1	55710-17K00	SENSOR, FR WHEEL SPEED	1	
2	55731-15H00	CLAMP, ABS SENSOR FR	2	
3	55750-17K00	SENSOR, INERTIAL	1	
4	55760-17K00	HOLDER, INERTIAL SENSOR	1	
5	55763-17K00	RUBBER, INERTIAL SENSOR MTG	3	
6	55770-17K00	BRACKET, SENSOR HOLDER	1	
7	55772-17K00	SPACER, SENSOR HOLDER BRKT	3	
8	65710-17K00	SENSOR, RR WHEEL SPEED	1	
9	09139-06139	SCREW (6X16)	3	
10	09139-06208	BOLT	3	
11	09180-06331	SPACER (6.2X8.4X10.9)	3	
12	09408-00101	CLIP	1	
13	09408-00266	CLAMP	3	FRONT
14	09408-00266	CLAMP	5	REAR
15	01550-0612A	BOLT	1	
16	01547-0616B	BOLT	2	
17	01547-0616B	BOLT	1	
18	07120-0616A	BOLT	2	
19	08316-1006A	NUT	3	

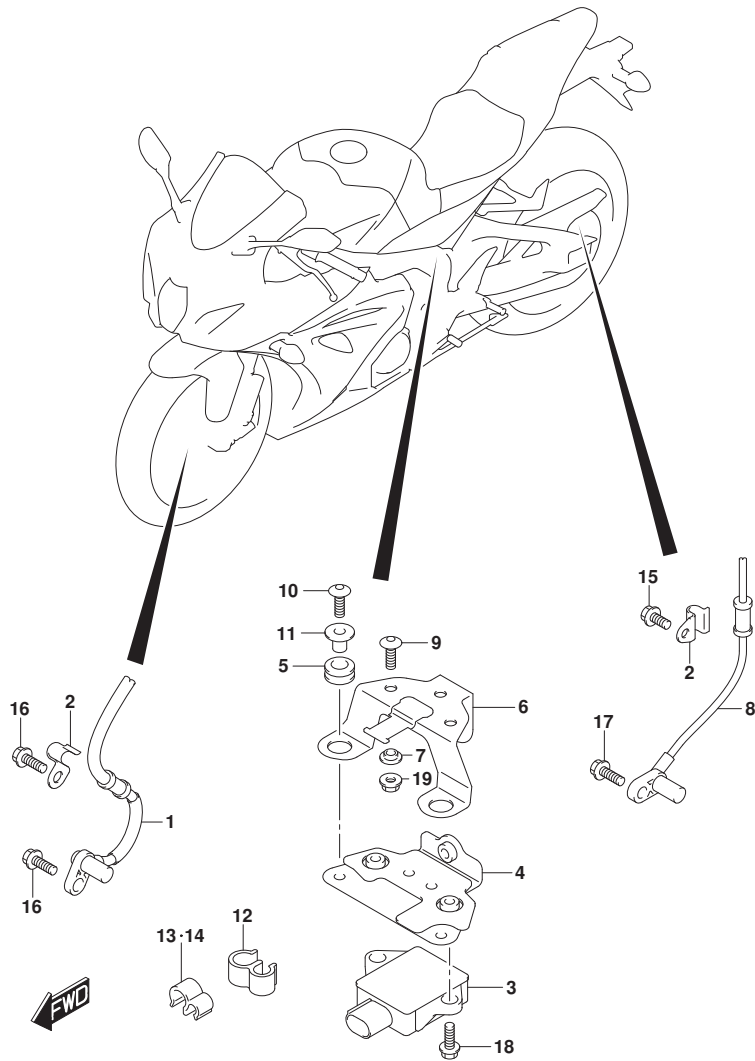


FIG.535A

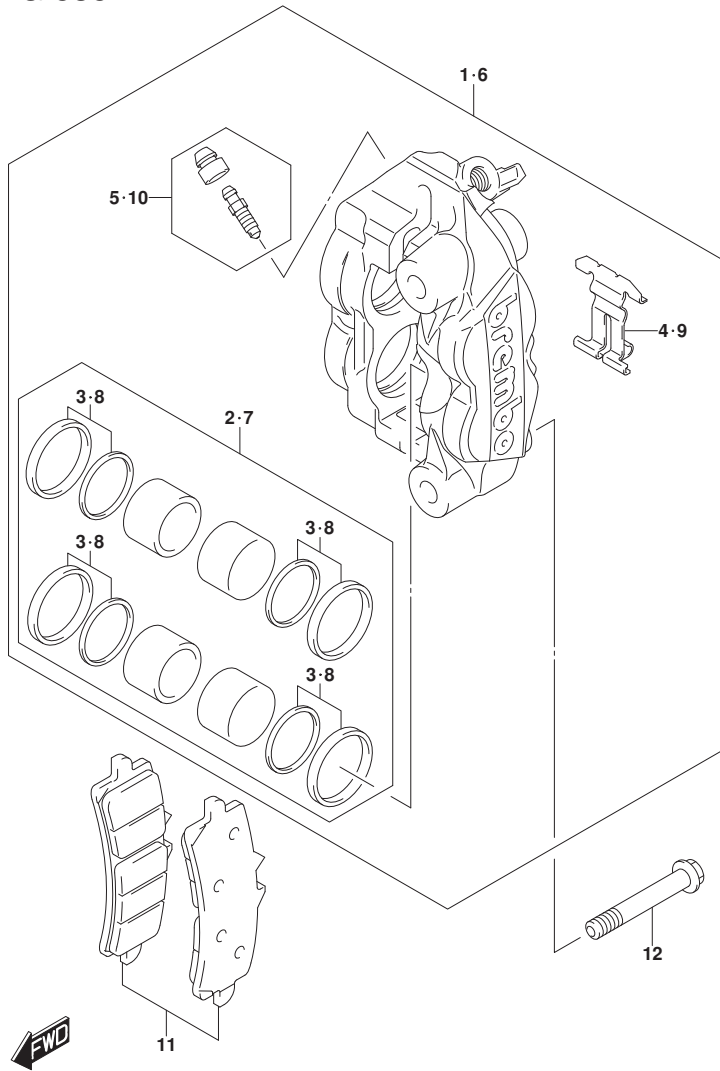


FIG.535A (1-G-4) FRONT CALIPER

REF NO.	PART NO.	DESCRIPTION	QTY	REMARKS
1	59100-14J40-999	CALIPER ASSY, FRONT RH	1	
2	59100-14810	.PISTON SET	1	
3	59100-14820	..SEAL SET, PISTON	1	
4	59151-14J00	.SPRING, PAD	1	
5	59100-14840	.BLEEDER SET	1	
6	59300-14J40-999	CALIPER ASSY, FRONT LH	1	
7	59100-14810	.PISTON SET	1	
8	59100-14820	..SEAL SET, PISTON	1	
9	59151-14J00	.SPRING, PAD	1	
10	59100-14840	.BLEEDER SET	1	
11	59100-14870	PAD SET	2	
12	09103-10450	BOLT (10X70)	4	

FIG.536A

FIG.536A (1-G-5) FRONT BRAKE HOSE

REF NO.	PART NO.	DESCRIPTION	Q'TY	REMARKS
1	59200-17K00	HOSE ASSY, FR MASTER TO UNIT	1	
2	59240-17K00	HOSE, FRONT BRAKE NO.2	1	
3	59270-17K00	CLAMP, FRONT BRAKE HOSE	1	
4	59400-17K00	HOSE ASSY, FR UNIT TO CLPR	1	
5	09161-10009	WASHER (10X15X1.5)	11	
6	09360-10062	UNION	4	
7	09360-10064	UNION	1	
8	09403-07409	CLAMP, FR BRAKE PIPE	1	
9	09403-16412	CLAMP	1	
10	01547-0612A	BOLT	1	
11	01550-0612A	BOLT	1	

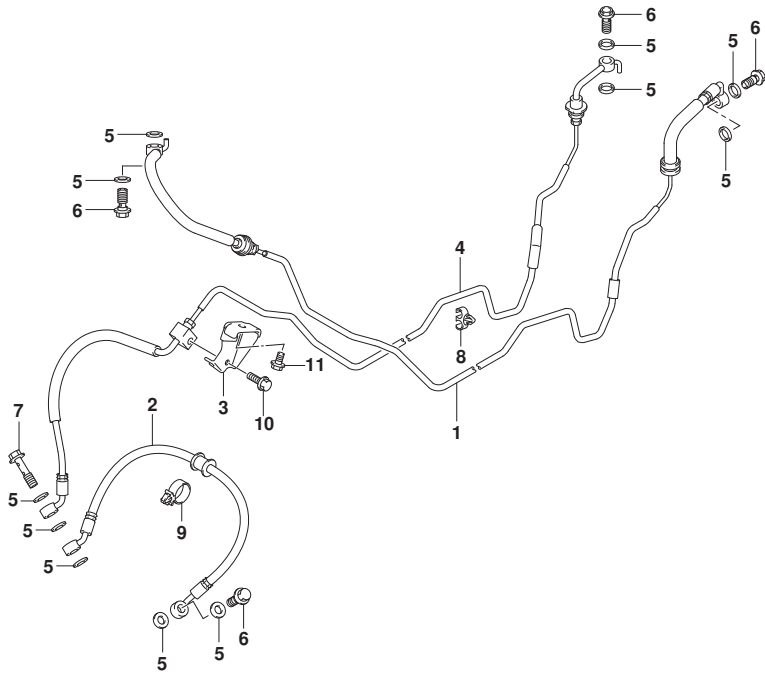


FIG.537A

FIG.537A (1-G-6) FRONT MASTER CYLINDER

REF NO.	PART NO.	DESCRIPTION	Q'TY	REMARKS
1	59600-17K00	CYLINDER ASSY, FRONT MASTER	1	
2	59600-17810	.PISTON/CUP SET	1	
3	59666-29G00	.BOOT	1	
4	69686-34200	.O RING	1	
5	59672-17C00	.CONNECTOR	1	
6	69674-00B20	.CIRCLIP	1	
7	59673-17C00	.COVER, DUST	1	
8	59671-01H00	.HOLDER	1	
9	59675-02FA0	.BOLT	2	
10	59121-01A00	.BLEEDER	1	
11	59122-46H00	.CAP, BLEEDER	1	
12	59740-47H00	TANK ASSY, RESERVOIR	1	
13	59667-18441	.DIAPHRAGM	1	
14	59668-18441	.PLATE	1	
15	59669-07D00	.CAP	1	
16	59743-17C00	PLATE, TANK CAP	1	
17	02142-0410A	SCREW	1	
18	09111-05006	BOLT (5X17)	1	
19	59751-47H10	BRACKET, RESERVOIR TANK	1	
20	01547-0612A	BOLT	1	
21	09159-05048	NUT	1	
22	59731-47H00	HOSE, RESERVOIR TANK	1	
23	59735-17C00	CLAMP, HOSE	2	

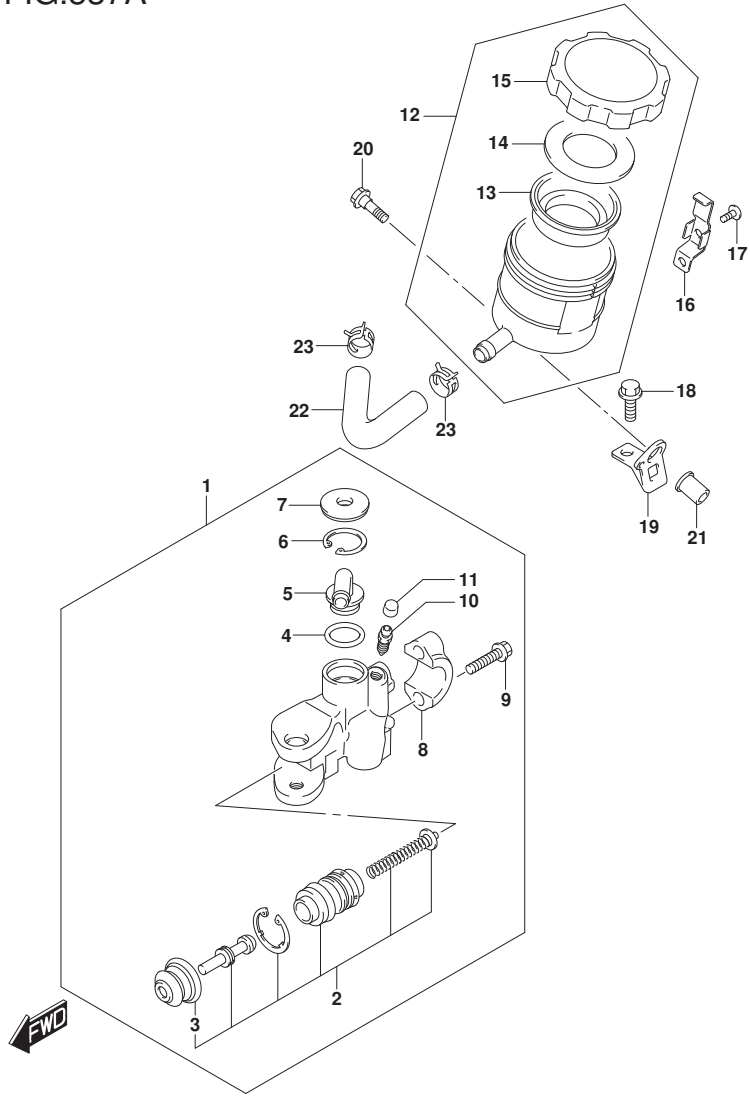


FIG.541A

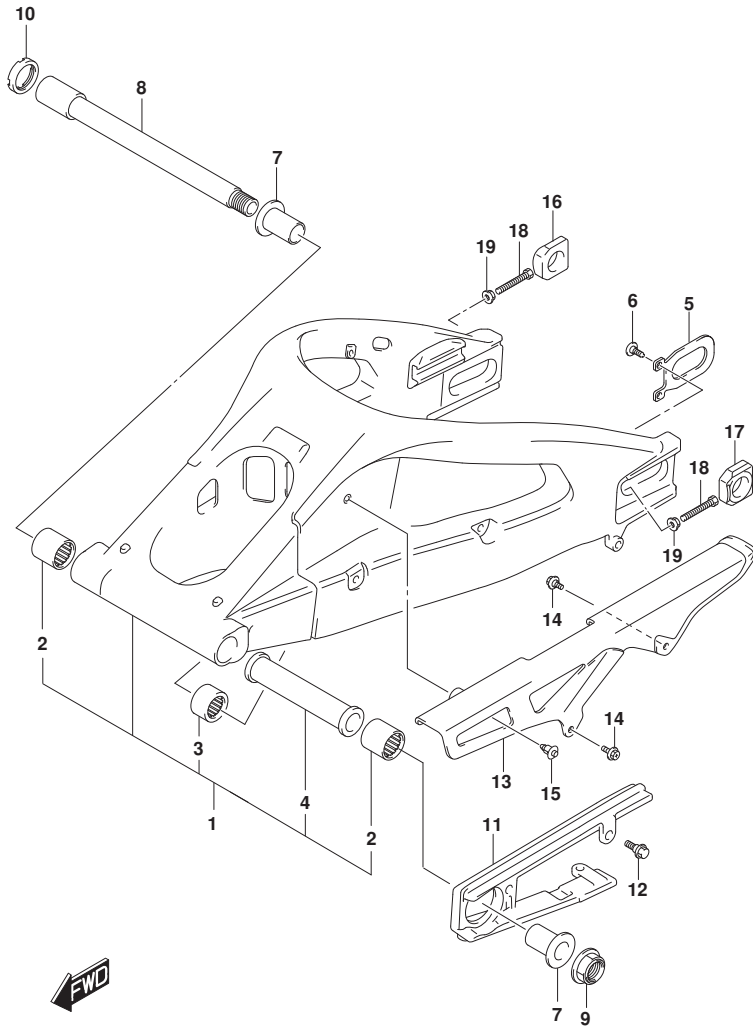


FIG.541A (1-G-7) REAR SWINGINGARM

REF NO.	PART NO.	DESCRIPTION	Q'TY	REMARKS
1	61000-17K00-YAP	SWINGING ARM ASSY, REAR (BLACK)	1	
2	09263-27013	.BEARING (27X35X35)	2	
3	09263-20070	.BEARING (20X27X30)	1	
4	61281-41G00	.SPACER, CENTER	1	
5	61124-41G00	PLATE, BRACKET	1	
6	09125-06060	SCREW (6X12)	1	
7	61251-41G00	SPACER, BEARING	2	
8	61211-01H00	SHAFT, PIVOT	1	
9	09159-20006	NUT	1	
10	61214-42E10	NUT, PIVOT	1	
11	61273-17K00	BUFFER, CHAIN TOUCH DEFENSE	1	
12	09111-06072	BOLT (6X17.8)	3	
13	61311-21H00	CASE, CHAIN	1	
14	09111-06107	BOLT (6X12)	2	
15	09409-08308-5ES	CLIP (BLACK)	1	
16	61446-40F00	ADJUSTER, CHAIN	1	RH
17	61445-40F00	ADJUSTER, CHAIN	1	LH
18	09100-08305	BOLT (8X60)	2	
19	08316-1008A	NUT	2	

FIG.543A

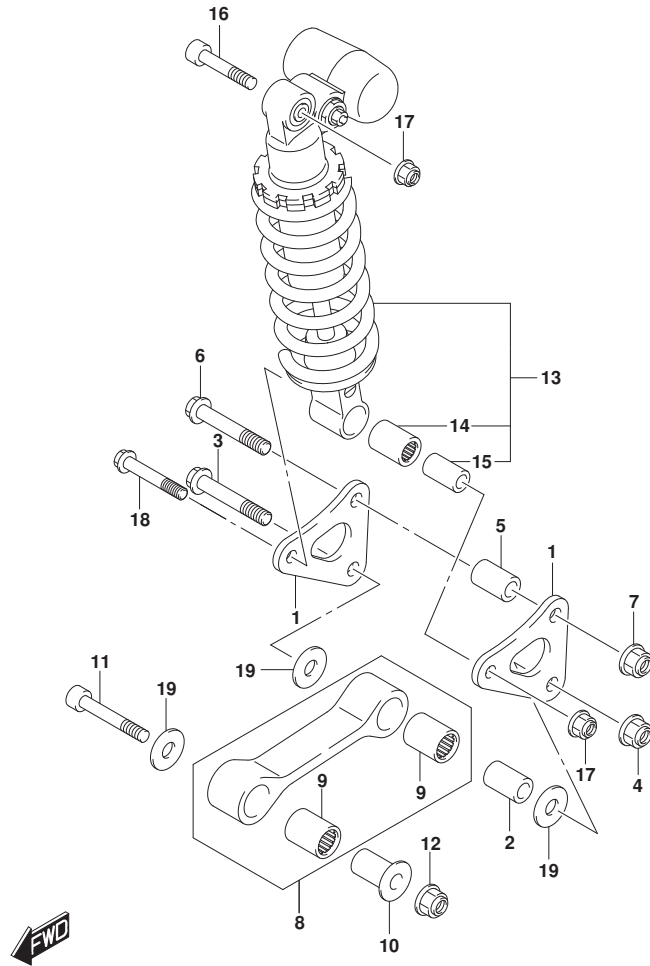


FIG.543A (1-G-8) REAR CUSHION LEVER

REF NO.	PART NO.	DESCRIPTION	Q'TY	REMARKS
1	62611-17K00	LEVER, REAR CUSHION	2	
2	62317-27C10	SPACER, REAR	1	
3	62658-47H00	BOLT, LOWER	1	
4	09159-12056	NUT	1	
5	62317-44B00	SPACER, UPPER	1	
6	62658-47H00	BOLT, UPPER	1	
7	09159-12056	NUT	1	
8	62600-47810	ROD SET, REAR CUSHION LEVER	1	
9	09263-20074	.BEARING (20X27X32)	2	
10	62647-47H00	SPACER, FRONT	1	
11	62658-04K00	BOLT, ROD	1	
12	09159-12056	NUT	1	
13	62100-17810-019	ABSORBER ASSY, REAR SHOCK (BLACK)	1	
14	09263-17046	.BEARING (17X24X32)	1	
15	62317-47H00	.SPACER, SHOCK ABS LOWER	1	
16	62658-04K10	BOLT, RR SHOCK ABSORBER UPR	1	UPPER
17	09159-10115	NUT	2	
18	62313-47H00	BOLT	1	LOWER
19	09160-12037	WASHER (12X34X1)	3	

FIG.550A

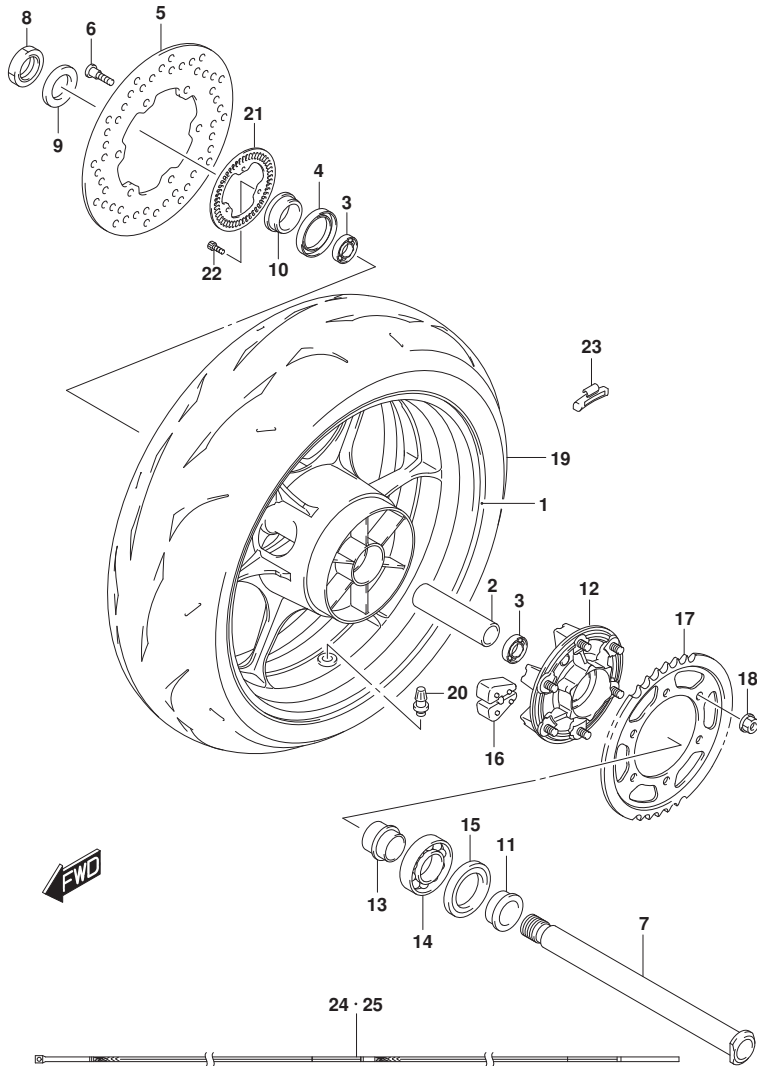


FIG.550A (1-G-9) REAR WHEEL

REF NO.	PART NO.	DESCRIPTION	Q'TY	REMARKS
1-1	64111-17K00-QGY	WHEEL, REAR (17M/CXMT6.00) (RED)	1	FOR YKV
1-2	64111-17K00-019	WHEEL, REAR (17M/CXMT6.00) (BLACK)	1	FOR YSF,YVZ
2	64731-35F10	SPACER, HUB BEARING	1	
3	09262-28052	BEARING (28X52X12)	2	
4	09284-37001	OIL SEAL (37X52X8)	1	RH
5	69211-47H00	DISC, REAR BRAKE	1	
6	09106-08160	BOLT (8X21)	5	
7	64711-49G00	AXLE, REAR	1	
8	64721-17K00	NUT, REAR AXLE	1	
9	09160-25070	WASHER (25.2X42X3.2)	1	
10	64741-35F10	SPACER, AXLE RH	1	
11	64751-47H10	SPACER, AXLE LH	1	
12	64610-04K00	DRUM, REAR SPROCKET	1	
13	64733-35F00	RETAINER, SPROCKET DRUM	1	
14	09262-32022	BEARING (32X65X17)	1	
15	09285-39001	OIL SEAL (39X65X7)	1	
16	64651-17K00	ABSORBER, HUB SHOCK	6	
17	64511-15J00	SPROCKET, REAR (NT:45)	1	
18	08319-3110A	NUT	6	
19	65110-17K00	TIRE, REAR, 190/50ZR17 M/C (75W)	1	BATTLAX RACING STREET RS10R E BRIDGESTONE
20	43130-24A00	VALVE ASSY, WHEEL RIM (TR412)	1	
21	64162-47H00	RING, SPEED SENSOR REAR (50T)	1	
22	07130-0512A	BOLT	3	
23-1	55411-22H00	BALANCER (10G)	AR	10G
23-2	55412-22H00	BALANCER (20G)	AR	20G
23-3	55413-22H00	BALANCER (30G)	AR	30G
24-1	68251-17K00-ABV	TAPE, RH (RED/BLACK)	1	FOR YVZ
24-2	68251-17K00-A29	TAPE, RH (BLACK/ORANGE/YELLOW)	1	FOR YSF
25-1	68252-17K00-ABV	TAPE, LH (RED/BLACK)	1	FOR YVZ
25-2	68252-17K00-A29	TAPE, LH (BLACK/ORANGE/YELLOW)	1	FOR YSF

FIG.555A

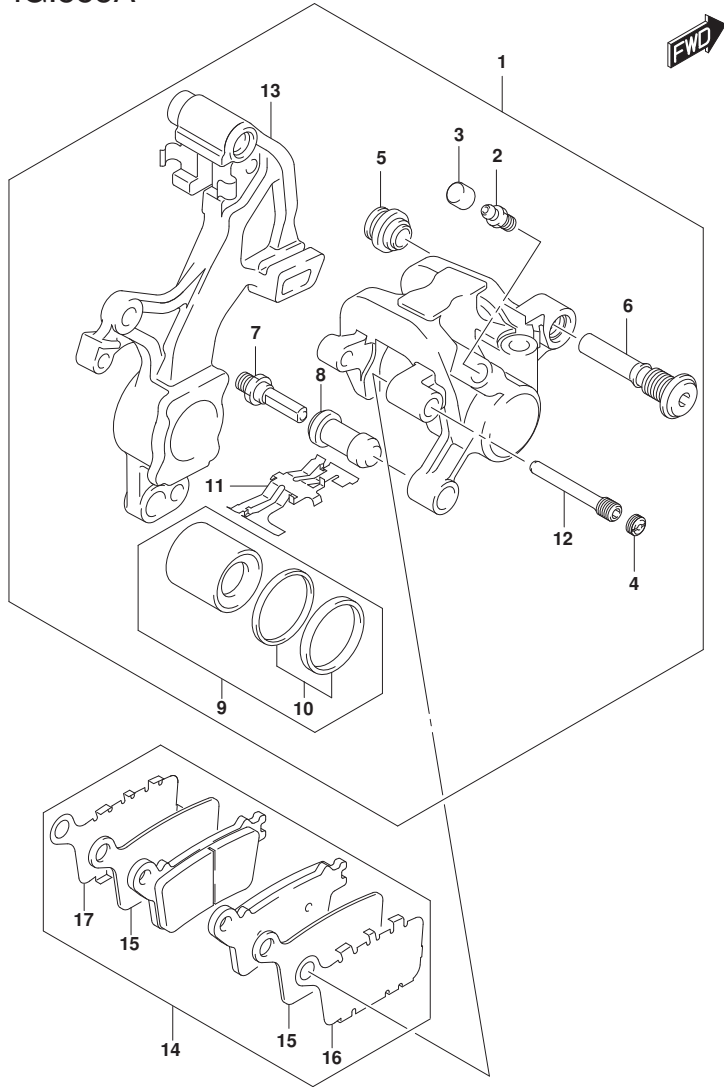


FIG.555A (1-G-10) REAR CALIPER

REF NO.	PART NO.	DESCRIPTION	Q'TY	REMARKS
1	69100-47H40-999	CALIPER ASSY, REAR	1	
2	59121-01A00	.BLEEDER	1	
3	59122-46H00	.CAP, BLEEDER	1	
4	59146-21E10	.PLUG, PIN	1	
5	59303-14500	.BOOT	1	
6	59305-36E00	.PIN, BOLT	1	
7	59382-14500	.PIN	1	
8	59386-13A00	.BOOT	1	
9	69100-47810	.PISTON SET	1	
10	69100-13810	..SEAL SET, PISTON	1	
11	69115-17K00	.SPRING, PAD	1	
12	69141-40F00	.PIN, PAD	1	
13	69150-47H20	.BRACKET, REAR	1	
14	69100-47830	PAD & SHIM SET	1	
15	69132-47H00	.INSULATOR	2	
16	69133-47H00	.RETAINER, PAD	1	
17	69134-47H00	.RETAINER, PAD	1	

FIG.558A

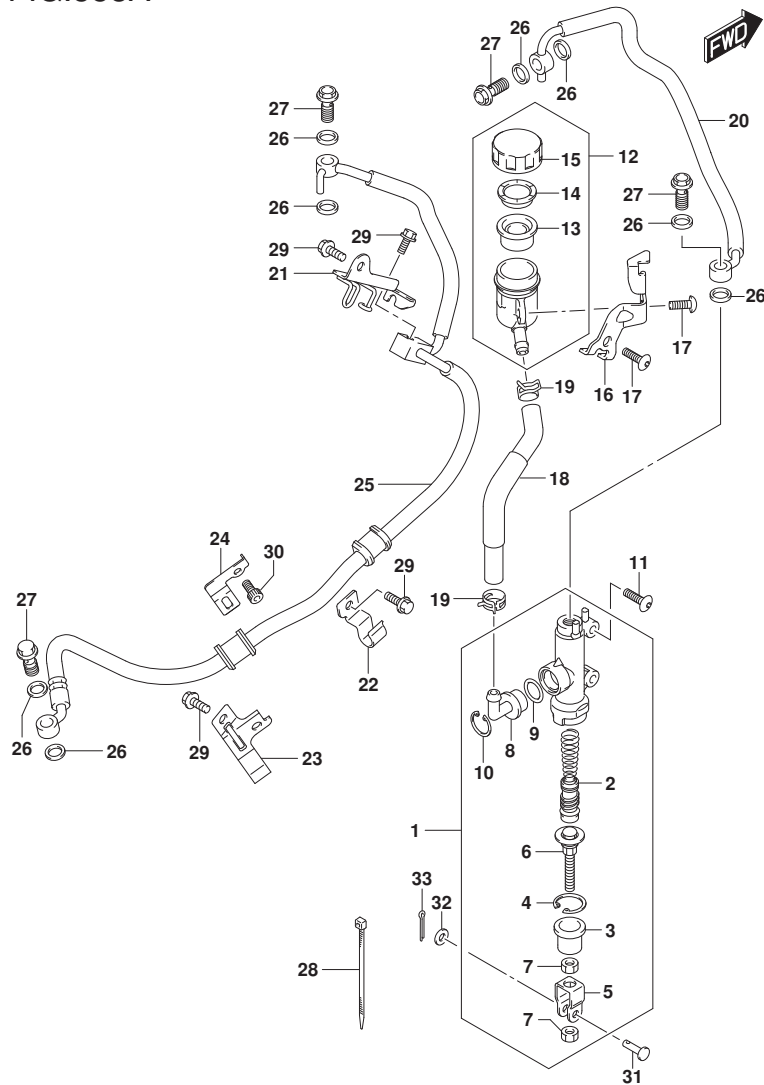


FIG.558A (1-G-11) REAR MASTER CYLINDER

REF NO.	PART NO.	DESCRIPTION	Q'TY	REMARKS
1	69600-47H30	CYLINDER ASSY, REAR MASTER	1	
2	69600-34810	.PISTON / CAP SET	1	
3	69691-00A00	.BOOT	1	
4	69665-47H00	.CIRCLIP	1	
5	69692-47H00	.YOKE	1	
6	69670-40A00	.ROD, PUSH	1	
7	69693-47H00	.NUT	2	
8	69672-00B20	.CONNECTOR	1	
9	69686-34200	.O RING	1	
10	69674-00B20	.CIRCLIP	1	
11	09139-06208	BOLT	2	
12	69740-17K00	TANK ASSY, REAR RESERVOIR	1	
13	59667-33J00	.DIAPHRAGM	1	
14	59668-33J00	.PLATE	1	
15	69669-17K00	.CAP	1	
16	69750-17K00	BRACKET, RR RESERVOIR TANK	1	
17	09139-06139	SCREW (6X16)	2	
18	69730-17K00	HOSE, RR RESERVOIR TANK	1	
19	09401-12404	CLIP	2	
20	69240-17K00	HOSE ASSY, RR MASTER TO UNIT	1	
21	69260-17K00	CLAMP, REAR BRAKE HOSE	1	
22	69268-17K00	CLAMP, REAR BRAKE HOSE	1	
23	69270-17K00	CLAMP, REAR BRAKE HOSE	1	
24	69272-17K00	CLAMP, REAR BRAKE HOSE	1	
25	69480-17K10	HOSE ASSY, RR UNIT TO CLPR	1	
26	09161-10009	WASHER (10X15X1.5)	8	
27	09360-10062	UNION	4	
28	09407-14407	CLAMP (L:145)	1	
29	01547-0612A	BOLT	4	
30	01547-0612A	BOLT	1	
31	09200-06068	PIN (6X18.2)	1	
32	08322-0106A	WASHER	1	
33	04111-2015A	PIN, COTTER	1	

FIG.901A

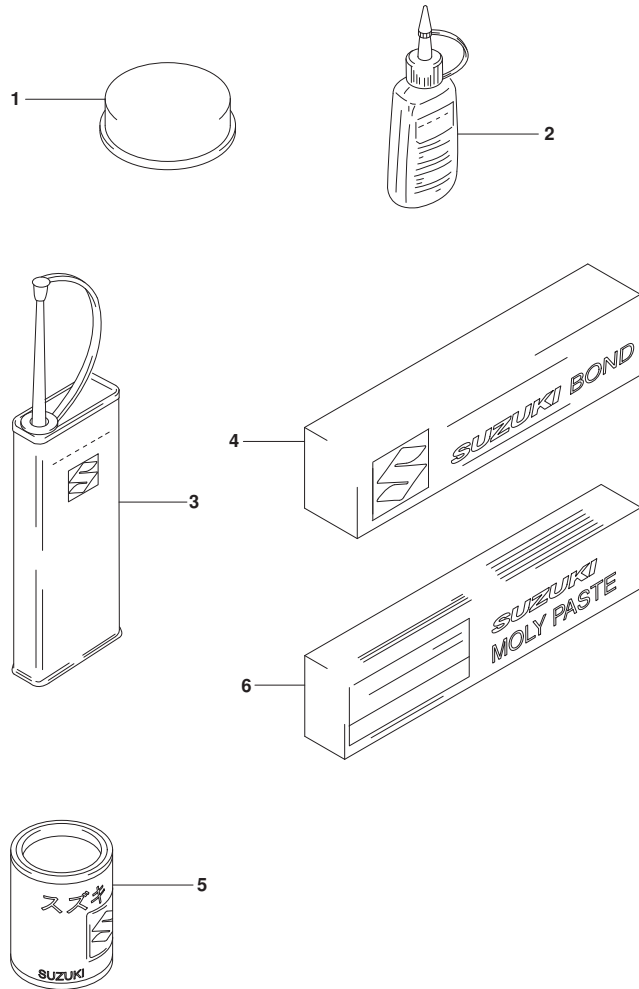


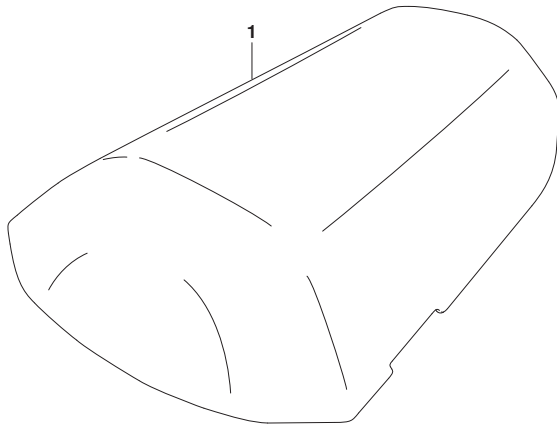
FIG.901A (1-G-12) OPTIONAL

REF NO.	PART NO.	DESCRIPTION	Q'TY		REMARKS
1	99000-25110	SUZUKI PBC GREASE	1	20G	
2-1	99000-32020	THREAD LOCK SUPER (1333B)	1	50G	
2-2	99000-32030	THREAD LOCK SUPER (1303B)	1	50G	
2-3	99000-32160	THREAD LOCK SUPER (1342)	1	50G	
2-4	99000-32100	THREAD LOCK SUPER (1305)	1	50G	
2-5	99000-32130	THREAD LOCK SUPER (1360)	1	50G	
3	99000-32040	THREAD LOCK CEMENT	1	200G	
4	99000-31140	SUZUKI BOND (1207B)	1	100G	
5	99000-25030	SUZUKI SUPER GREASE	1	150G	
6	99000-25140	SUZUKI MOLY PASTE	1	50G	

FIG.970A

FIG.970A (1-G-13) OPTIONAL (SEAT TAIL BOX)

REF NO.	PART NO.	DESCRIPTION	Q'TY	REMARKS
1-1	45550-17810-YSF	BOX, SEAT TAIL (BLUE)	1	FOR YSF
1-2	45550-17810-YKV	BOX, SEAT TAIL (BLACK)	1	FOR YKV
1-3	45550-17810-YVZ	BOX, SEAT TAIL (RED)	1	FOR YVZ



PART NO.	FIG.NO.-REF.NO.	PART NO.	FIG.NO.-REF.NO.	PART NO.	FIG.NO.-REF.NO.	
10000		12160-17K00	120A-1	12760-40F01	127A-1	
		12163-17K00	120A-2	12771-17K00	127A-2	
		12164-17K00-0A0	120A-4-1	12782-35F10	127A-3	
		12164-17K00-0B0	120A-4-2	12800-05830	126A-20	
		12164-17K00-0C0	120A-4-3	12811-17K00	127A-4	
	11100-17K00	103A-1	12164-17K00-0D0	120A-4-4	12812-31G00	127A-5
	11115-29G70	103A-4	12164-17K10-0A0	120A-5-1	12830-15H10	127A-6
	11117-29G00	103A-10	12164-17K10-0B0	120A-5-2	12837-02H00	101A-10
	11117-29G20	103A-11	12164-17K10-0C0	120A-5-3		127A-7
	11141-17K00	101A-2	12164-17K10-0D0	120A-5-4	12841-17K00	126A-8
		103A-5	12228-48B00-0B0	108A-17-1	12861-17K00	126A-9
	11171-17K00	102A-1		120A-8-1	12872-17K00	126A-11
	11173-17K00	101A-3	12228-48B00-0C0	108A-17-2	12892-05C00-170	126A-19-1
		102A-2		120A-8-2	12892-05C00-175	126A-19-2
11178-33E00	101A-4	12228-48B00-0D0	108A-17-3	12892-05C00-180	126A-19-3	
	102A-3		120A-8-3	12892-05C00-185	126A-19-4	
11182-35F10	101A-5	12228-48B00-0E0	108A-16	12892-05C00-190	126A-19-5	
	102A-4		108A-17-4	12892-05C00-195	126A-19-6	
11191-27E00	101A-6		120A-7	12892-05C00-200	126A-19-7	
	102A-5		120A-8-4	12892-05C00-205	126A-19-8	
11269-18G01	163A-19	12228-48B00-0F0	108A-17-5	12892-05C00-210	126A-19-9	
11276-17K00	163A-20		120A-8-5	12892-05C00-215	126A-19-10	
11277-17K00	163A-21	12228-48B00-0G0	108A-17-6	12892-05C00-220	126A-19-11	
11278-17K00	163A-22		120A-8-6	12892-05C00-225	126A-19-12	
11301-17810	108A-1	12228-48B00-0H0	108A-17-7	12892-05C00-230	126A-19-13	
11318-35F00	108A-2		120A-8-7	12892-05C00-235	126A-19-14	
11319-33E50	108A-3	12229-17K00-0A0	120A-9-1	12892-05C00-240	126A-19-15	
	108A-4	12229-17K00-0B0	120A-9-2	12892-05C00-245	126A-19-16	
11341-17K00	112A-1	12229-17K00-0C0	120A-9-3	12892-05C00-250	126A-19-17	
11342-41G10	112A-11	12229-17K00-0D0	120A-9-4	12892-05C00-255	126A-19-18	
11351-17K01	112A-13	12229-17K00-0E0	120A-9-5	12892-05C00-260	126A-19-19	
11360-17K00	112A-18	12229-17K10-0A0	120A-10-1	12892-05C00-265	126A-19-20	
11371-17K00	112A-20	12229-17K10-0B0	120A-10-2	12892-05C00-270	126A-19-21	
11380-17K00	108A-36	12229-17K10-0C0	120A-10-3	12911-17K00	126A-12	
11390-17K00	108A-19	12229-17K10-0D0	120A-10-4	12912-17K00	126A-13	
11402-17810	101A-1	12229-17K10-0E0	120A-10-5	12919-17K00	126A-14	
11482-17K00	101A-7	12611-17K00	122A-1	12920-17K10	126A-15	
	112A-2	12612-47H00	122A-2	12931-17K01	126A-16	
11483-17K00	101A-8	12614-17K00	122A-3	12932-32C00	126A-17	
	112A-14	12615-17K00	122A-4	12933-47H00	126A-18	
11489-17K00	101A-9	12616-17K00	122A-5	13101-17K00	103A-18	
	116A-2	12617-47H00	122A-6	13170-17K00	103A-20	
11511-17K00	116A-1	12618-31G00	122A-7	13268-48700	140A-2	
11971-25D00	112A-7	12622-17K00	122A-8	13269-33E00	140A-3	
11971-33210	108A-31	12710-17K00	126A-1	13295-29900	140A-4	
12000-17860	120A-6	12720-17K00	126A-5	13374-32G00	140A-5	
12111-17K00-0F0	120A-11	12731-47H00	120A-15		140A-37	
12140-17K00	120A-12	12740-17K00	126A-2	13405-17K10	140A-1	
12151-17K00	120A-13	12746-17K00	126A-3	13471-17K00	140A-7	
12152-17K00	120A-14	12751-17K00	126A-6		140A-38	

PART NO.	FIG.NO.-REF.NO.	PART NO.	FIG.NO.-REF.NO.	PART NO.	FIG.NO.-REF.NO.
13471-18H00	140A-8	14780-17K00	163A-30	17511-47H00	180A-9
13472-17K00	140A-9	14795-10FA0	163A-31	17661-37H00	187A-1
	140A-39	15100-17K50	172A-1	17670-06G60	187A-2
13473-17K00	140A-10	15113-05H00	172A-4	17710-17K00	185A-1
	140A-40	15113-17K00	172A-7	17711-08J00	185A-2
13474-17K00	140A-41	15113-35F00	172A-10	17712-40F00	185A-3
13500-17K00	140A-27	15114-17K00	172A-5	17730-08J00	185A-6
13571-17K00	140A-28	15115-17K00	172A-8	17741-17K00	185A-7
13572-17K00	140A-29	15116-17K00	172A-6	17742-17K00	185A-8
13601-29G00	140A-11	15120-17K00	172A-11	17750-17K00	185A-9
	140A-42	15122-17K00	172A-12	17771-17K00	185A-10
13602-29G00	140A-12	15201-17K01	172A-13	17790-17K00	185A-11
	140A-43	15310-17K00	172A-2	17810-17K00	185A-4
13606-47A00	140A-13	15420-17K00	172A-9	17820-17K00	185A-5
13650-14G10	155A-23	15610-17K50	172A-3	17851-17K00	187A-4
13650-49X00	103A-22	15625-29G40	155A-21	17852-17K00	187A-5
13655-14G10	155A-24	15630-29G40	155A-20	17853-17K00	187A-6
13671-29G00	140A-14	15632-17K00	155A-22	17854-17K00	187A-7
13681-39F00-060	140A-15	15710-04K00	140A-23	17859-17K00	187A-8
13683-04K10	140A-17	15710-17K10	140A-44	17861-17K00	187A-9
13683-10F60	140A-16	15717-58B00	140A-24	17910-17K00	187A-16
	140A-20		140A-45	17931-31J00	187A-17
13683-17K00	140A-18	15722-14J00	140A-25	17981-17K00	187A-18
13683-17K10	140A-19	15722-17K00	140A-46	17982-47H10	187A-19
13685-02FA0	140A-6	15810-17K00	172A-14	17995-14JP0	185A-18
13685-29G00	140A-21	15900-17K00	140A-36	18117-52G10	427A-5
13685-38420	140A-22	15910-17K00	140A-47	18213-17K00	163A-34
13720-17K00	155A-5	15911-17K00	155A-3	18450-35F50	189A-1
13740-17K00	155A-1	16310-47H00	116A-6	18461-47H00	189A-2
13746-35F00	155A-2	16321-01H00	116A-7	18471-47H00	189A-3
13756-17K00	155A-6	16331-17K00	116A-8	18510-29G70	189A-4
13757-17K00	155A-7	16332-17K00	116A-9	18531-35F30	189A-5
13780-17K00	155A-4	16400-17K00	116A-10	18560-04K00	427A-1
13788-17K00	155A-8	16440-17K00	116A-11	18561-17K00	427A-8
13820-17K00	155A-17	16460-17K00	178A-9	18562-17K00	427A-9
13820-17K10	155A-18	16469-17K00	178A-10	18563-17K00	427A-10
13831-47H00	155A-15	16470-17K00	178A-11	18571-17K00	427A-2
13853-17K00	155A-9	16510-07J00	108A-41	18572-17K00	427A-4
13878-09F00	155A-10	16520-17K00	116A-17	18573-17K00	427A-6
13880-17K00	155A-13	16591-06B01	108A-40	18711-17K00	189A-6
13880-17K10	155A-14	16600-47H20	178A-1	18803-45G00	496A-3
14100-17K00	163A-1	16650-47H20	178A-8		
14181-04K00	101A-11	17400-17K00	180A-1		
	163A-2	17410-17K00	180A-2		
14250-21H00	163A-23	17418-33400	180A-3		
14252-14J00	163A-24	17432-07G00	180A-4		
14280-17K00	163A-3	17435-33400	180A-5		
14310-17KA0	163A-10	17461-01H00	180A-6		
14459-17K00	163A-11	17470-02F10	180A-7		
14771-24F01	163A-12	17491-17K00	180A-8		

20000

PART NO.	FIG.NO.-REF.NO.	PART NO.	FIG.NO.-REF.NO.	PART NO.	FIG.NO.-REF.NO.
21200-17880	201A-2	25312-17K00	212A-6	33410-17K00	312A-7
21222-17K00	201A-1	25350-06G00	212A-11	33624-04K00	310A-8
21253-01H10	201A-3	25355-17K00	212A-12	33630-14G00	310A-1
21411-17K00	201A-6	25381-17K00	212A-7	33652-05G20	474A-14
21413-17K00	201A-7	25411-38B01	212A-3	33652-13G00	483A-14
21414-17K00	201A-9	25510-17K00	212A-15	33652-17K00	310A-2
21415-17K00	201A-8	25512-06G20	212A-16	33652-17K10	334A-6
21441-42F20	201A-10	25518-01H00	212A-17		445A-17
21442-42F10	201A-11	25519-01H00	212A-18		445B-17
21451-47H10	201A-12	25520-17K00	212A-27	33652-17K20	310A-3
21451-47H30	201A-13	25525-17K00	212A-28	33652-17K30	310A-4
21451-47H50	201A-14	25600-17K00	212A-29	33652-20C00	310A-5
21462-17K00	201A-15	25617-17K00	212A-37		422A-12
21471-02F20	201A-16	25619-17K00	212A-39		422B-11
21472-02F20	201A-17	25652-20C00	212A-30		481A-16
21482-17K00	201A-18	25671-01011	212A-19		481A-20
23110-27A00	201A-23	25681-17K00	212A-38		481B-15
23111-26D00	201A-24	20647-17K00	206A-47		481B-19
23121-41G30	201A-25	27531-17K00	206A-48	33652-35400	483A-15
23122-41G00	201A-26	27600-17K00-120	206A-49	33652-38A10	312A-9
23123-41G00	201A-27	27620-17K00	206A-50	33652-38F20	448A-9
23125-41G00	201A-28			33652-47F00	448A-15
23271-41G50	201A-29			33810-17K00	310A-6
24120-17K00	206A-1			33820-17K10	310A-7
24131-17K00	206A-17			33960-06G10	312A-10
24221-40F30	206A-2			33970-47H01	312A-11
24231-47H10	206A-3			34100-17K00	330A-1
24251-47H20	206A-4			34111-17K00	330A-2
24252-24F20	206A-5	30000		34150-17K00	330A-3
24261-47H20	206A-6			34183-10C00	330A-4
24262-24F20	206A-7	31100-17K00	301A-1	34189-08J00	330A-5
24311-47H00	206A-18	31150-40F01	301A-2	34810-17K10	172A-16
24315-17K00	206A-19	31153-49210	301A-3	34815-17K10	172A-17
24321-17K00	206A-20	31156-17E00	112A-12	35100-17K00	333A-1
24322-17K00	206A-21	31156-40F01	301A-9	35125-17K00	333A-2
24323-17K00	206A-22	31175-40F01	301A-4	35601-17KA0	334A-1
24331-47H20	206A-23	31264-32C10	301A-5	35602-17KA0	334A-2
24332-24F20	206A-24	31281-40F00	301A-6	35603-17KA0	334A-7
	206A-25	31361-10200	301A-8	35604-17KA0	334A-8
24333-47H00	206A-26	31361-17K00	301A-7	35710-17K00	339A-1
24341-47H10	206A-27	31361-38300	301A-10	35781-17K00	339A-2
24351-47H00	206A-28	31800-21E20	312A-1	35910-17K00	339A-6
24361-17K00	206A-29	31861-47E00	312A-2	35913-17K00	339A-7
24741-06G00	206A-39	32101-17K00	304A-1	35950-14A11	460A-6
24741-17K00	206A-40	32102-17K00	304A-2		460B-6
24741-20A00	206A-41	32371-17K00	304A-3	35952-17K00	460A-8
24751-17K00	206A-42	32800-26J01	312A-6		460B-8
25211-01H10	212A-1	32830-17K00	312A-17	35970-07F01	339A-11
25231-01H02	212A-2	32920-17K00	312A-8	36610-17K10	350A-1
25310-17K00	212A-5	33220-01H00	312A-24	36617-17K00	355A-6

PART NO.	FIG.NO.-REF.NO.	PART NO.	FIG.NO.-REF.NO.	PART NO.	FIG.NO.-REF.NO.
36620-17K50	350A-10	550A-20	44523-47H00	420A-7	
36630-17K10	350A-11	43511-17K00	415A-1	420B-6	
36654-06J30	350A-12	43516-37H10	415A-3	422A-15	
36670-17K00	312A-15	43521-17K00	415A-2	422B-14	
36851-17K00	350A-18	43526-37H10	415A-4	44530-17K00	420A-8
36920-08D00	312A-4	43531-41G20	415A-5		420B-7
36930-60A10	480A-3	43571-17K00	415A-6	44541-17K00	420A-9
	480A-6	43576-17K00	415A-7		420B-8
	480B-3	43576-48B40	415A-8	44542-17K00	420A-10
	480B-6	43577-35F10	415A-9		420B-9
	483A-2	43581-47H00	415A-10	44543-17K00	420A-21
	483A-16	43600-17K00	415A-15		420B-20
	485A-22	43611-37H30	415A-16	44544-17K00	420A-11
	485B-18	43621-37H30	415A-24		420B-10
36930-82010	480A-20	43700-17K00	415A-23	44551-17K00	420A-12
	480B-20	43811-17K00	415A-17		420B-11
37100-17K00	352A-2	43816-01H20	415A-22	44552-17K00	420A-13
37102-17810	352A-1		415A-30		420B-12
37146-41G00	352A-4	43821-17K00	415A-25	44552-24B10	420A-6
37200-17K00	355A-1	44100-17K10-YKV	420B-1-1		420B-5
37400-17K00	355A-4	44100-17K10-YVZ	420B-1-2	44561-18G00	420A-14
37730-17K00	212A-40	44100-17KB0-YSF	420A-1		420B-13
37740-17K00	350A-22	44121-17K00	420A-3	44572-02F01	333A-4
37820-33D10	116A-20		420B-2		481A-3
37822-33D00	116A-21	44173-14J00	445A-7		481B-3
37840-35F00	350A-25		445B-7	44572-13G00	420A-22
38500-17K00	350A-27	44192-44H00	481A-2		420B-21
38860-76F01	350A-6		481B-2		448A-14
	350A-7	44200-17820	420A-4	44572-37H00	333A-5
	350A-8		420B-3		481A-4
	350A-9	44244-11J00	420A-5		481B-4
			420B-4	44572-44G00	420A-23
		44277-17K00	422A-13		420B-22
			422B-12		422A-17
		44279-18K00	481A-17		422B-16
			481A-21	44574-17K00	420A-29
			481B-16		420B-28
			481B-20	45100-17K00-W05	505A-1
		44283-17K00	420A-27	45148-20G90	505A-10
			420B-26	45148-27J00	474A-15
41100-17K00	401A-1	44290-17K00-YKV	422B-5-1	45149-37H00	505A-2
41200-17K00	401A-2	44290-17K00-YVZ	422B-5-2	45220-04K20	505A-4
41233-18G20	401A-3	44290-17KA0-YSF	422A-5	45241-17K00	505A-5
41921-47H00	401A-5	44294-43H00	333A-3	45280-17K00	505A-6
41922-47H00	401A-6	44423-17K00	420A-28	45288-14F00	505A-7
42310-17K00	407A-1		420B-27	45289-11F00	505A-8
42330-17K10	407A-2	44512-17K00	422A-11	45290-17K00	505A-11
42411-47H00	407A-3		422B-10	45300-17K00-W05	505A-9
43110-47H10	407A-9	44521-17K00	422A-1	45380-17K00-W05	505A-12
43130-24A00	530A-12		422B-1	45550-17810-YKV	970A-1-2

PART NO.	FIG.NO.-REF.NO.	PART NO.	FIG.NO.-REF.NO.	PART NO.	FIG.NO.-REF.NO.
45550-17810-YSF	970A-1-1	51152-47H00	521A-4	54162-47H00	530A-9
45550-17810-YVZ	970A-1-3		521A-24	54711-47H00	530A-5
47110-17K00-YKV	445B-1-1	51152-47H10	521A-5	54712-47H00	530A-6
47110-17K00-YVZ	445B-1-2		521A-25	54731-35F10	530A-2
47110-17K10-YSF	445A-1	51153-47H00	521A-6	54751-41G10	530A-7
47121-17K00	448A-10		521A-26	55110-17K00	530A-11
47121-31J00	483A-17	51168-29G00	521A-7	55411-22H00	530A-13-1
47122-17K00	448A-4		521A-27		550A-23-1
	448A-7	51171-47H20	521A-8	55412-22H00	530A-13-2
	448A-5		521A-28		550A-23-2
47123-17K00	448A-8	51173-27G00	521A-10	55413-22H00	530A-13-3
	445B-3-1		521A-30		550A-23-3
47210-17K00-YVZ	445B-3-2	51174-17K00	521A-14	55610-17K00	533A-1
47210-17K10-YSF	445A-3		521A-34	55660-17K00	533A-2
47311-17K00	445A-5	51175-47H00	521A-11	55662-17K00	533A-3
	445B-5		521A-31	55710-17K00	534A-1
47312-37H00	445A-8	51176-47H20	521A-9	55731-15H00	534A-2
	445B-8		521A-29	55750-17K00	534A-3
47411-17K00-YKV	445B-6-1	51187-47H00	521A-18	55760-17K00	534A-4
47411-17K00-YSF	445A-6		521A-38	55763-17K00	534A-5
47411-17K00-YVZ	445B-6-2	51187-47H10	521A-16	55770-17K00	534A-6
47431-17K00	474A-16		521A-36	55772-17K00	534A-7
47441-17K00	474A-17	51189-17K00	521A-19	56111-17K00	462A-1
47511-17K00	448A-1		521A-39	56151-17K00	462A-2
47611-17K00	448A-2	51311-47H00	524A-5	56278-17K00	462A-4
47710-17K00-YKV	448A-3-1	51321-27E30	524A-6	56500-17K00	462A-6
47710-17K00-YSF	448A-3-2		521A-41	56525-17K00	462A-7
47710-17K00-YVZ	448A-3-3	51328-27E30	524A-4		462A-9
47810-17K00-YKV	448A-6-1	51353-01H00	524A-8	56600-17K00	462A-8
47810-17K00-YSF	448A-6-2	51354-01H00	524A-7	56619-41G01	462A-10
47810-17K00-YVZ	448A-6-3	51410-17K00	524A-1	57110-21H02	467A-1
		51556-38B00	521A-12	57211-21H01	467A-7
			521A-32	57300-17K00	467A-2
			524A-13	57431-29G00	467A-3
			524A-12	57431-41G00	467A-10
		51631-33E00	524A-10	57433-09F00	467A-4
		51641-33E00	524A-3	57460-14J01	467A-5
		51644-12C00	524A-11	57465-17C00	467A-6
			524A-14	57500-41G41	467A-8
		51750-21H30	521A-17	57532-41G00	467A-11
		51827-29G00	521A-37	57560-41G20	467A-13
			521A-13	57562-41G21	467A-14
			521A-33	57621-41G10	467A-9
		53110-17K10-YSF	460A-1-1	57641-33E21	467A-16
		53110-17K10-YVZ	460A-1-2	57642-33E00	467A-18
		53110-17K20-YKV	460B-1	57644-33E00	467A-17
		521A-40	460A-3	58200-17K00	462A-13
		51120-17K00	460B-3	58285-17K00	462A-14
51131-17K00	521A-3	54111-17K00-019	530A-1-2	58300-17K00	462A-15
	521A-23	54111-17K00-QGY	530A-1-1	58300-17K10	462A-16

50000

PART NO.	FIG.NO.-REF.NO.	PART NO.	FIG.NO.-REF.NO.	PART NO.	FIG.NO.-REF.NO.
58621-17K00	462A-20	61000-17K00-YAP	541A-1	68120-17K00-BDH	422B-6
58635-17K00	462A-18	61124-41G00	541A-5	68135-17K00-AX2	445B-2-1
59100-14810	535A-2	61211-01H00	541A-8	68135-17K00-JSP	445B-2-2
	535A-7	61214-42E10	541A-10	68135-17K10-BDH	445A-2
59100-14820	535A-3	61251-41G00	541A-7	68145-17K00-AX2	445B-4-1
	535A-8	61273-17K00	541A-11	68145-17K00-JSP	445B-4-2
59100-14840	535A-5	61281-41G00	541A-4	68145-17K10-BDH	445A-4
	535A-10	61311-21H00	541A-13	68151-44G00-1ZY	460A-2
59100-14870	535A-11	61445-40F00	541A-17	68151-44G10-GWM	460B-2
59100-14J40-999	535A-1	61446-40F00	541A-16	68181-47HA1-019	483A-5-2
59121-01A00	537A-10	62100-17810-019	543A-13	68181-47HA1-19A	483A-5-1
	537A-11	62313-47H00	543A-18	68181-47HA1-YVW	483A-5-3
59122-46H00	537A-11	62317-27C10	543A-2	68191-17K00-ABV	483A-7-2
	555A-3	62317-44B00	543A-5	68191-17K00-AHB	483A-7-3
59146-21E10	555A-4	62317-47H00	543A-15	68191-17K00-AX2	483A-7-1
59151-14J00	535A-4	62600-47810	543A-8	68251-17K00-A29	530A-14-2
	535A-9	62611-17K00	543A-1		530A-14-2
59200-17K00	536A-1	62647-47H00	543A-10		550A-24-2
59210-17K00	530A-8	62658-04K00	543A-11	68251-17K00-ABV	530A-14-1
59240-17K00	536A-2	62658-04K10	543A-16		550A-24-1
59270-17K00	536A-3	62658-47H00	543A-3	68252-17K00-A29	530A-15-2
59300-14J40-999	535A-6		543A-6		550A-25-2
	555A-5	63111-17K00	474A-1	68252-17K00-ABV	530A-15-1
59303-14500	555A-6	63113-17K00	474A-2		550A-25-1
59305-36E00	555A-6	63114-17K00	474A-3	68270-17K00-BDH	481A-6
59382-14500	555A-7	63115-37H00	480A-2	68275-17K00-BDK	480B-12-1
59386-13A00	555A-8		480A-5	68275-17K00-BDQ	480B-12-2
59400-17K00	536A-4		480B-2	68275-17K10-BDJ	480A-12
59600-17810	537A-2		480B-5	68276-17K00-BDK	480B-15-1
59600-17K00	537A-1		480B-5	68276-17K00-BDQ	480B-15-2
59666-29G00	537A-3	63116-17K00	474A-4	68276-17K10-BDJ	480A-15
59667-18441	537A-13	63117-17K00	474A-5		524A-19
59667-33J00	558A-13	63121-17K00	474A-6	68281-47HA0	496A-1-13
59668-18441	537A-14	63122-17K00	474A-7	68319-02K40	496A-1-13
59668-33J00	558A-14	64111-17K00-019	550A-1-2	68319-02K90	496A-1-14
59669-07D00	537A-15	64111-17K00-QGY	550A-1-1	68319-49J00	496A-1-1
	537A-8	64162-47H00	550A-21	68319-49J20	496A-1-2
59671-01H00	537A-5	64339-14101	524A-17	68319-49J30	496A-1-3
59672-17C00	537A-7	64511-15J00	550A-17	68319-49J40	496A-1-4
59673-17C00	537A-7	64610-04K00	550A-12	68319-49J50	496A-1-5
59675-02FA0	537A-9	64651-17K00	550A-16	68319-49J70	496A-1-6
59731-47H00	537A-22	64711-49G00	550A-7	68319-49J80	496A-1-7
59735-17C00	537A-23	64711-49G00	550A-7	68319-49J90	496A-1-8
59740-47H00	537A-12	64721-17K00	550A-8	68319-49JA0	496A-1-9
59743-17C00	537A-16	64731-35F10	550A-2	68319-49JB0	496A-1-10
59751-47H10	537A-19	64733-35F00	550A-13	68319-49JC0	496A-1-11
		64741-35F10	550A-10		496A-1-12
		64751-47H10	550A-11	68319-49JP0	496A-1-12
		65110-17K00	550A-19	68332-17K00	496A-2
		65710-17K00	534A-8	68386-14J00	496A-4
		68110-17K00-BDH	420A-2	68680-17K00-AGQ	485A-8
		68111-47HA0	422A-7	68685-17K00-AX2	485B-2-1

60000

PART NO.	FIG.NO.-REF.NO.	PART NO.	FIG.NO.-REF.NO.	PART NO.	FIG.NO.-REF.NO.
68685-17K00-JSP	485B-2-2	73415-70A00	480A-13	94477-17K10	483A-21
68685-17K10-AGQ	485A-2		480A-16	94477-17K20	485A-15
68685-17K20-BDH	485A-3		480B-13		485B-11
68690-17K00-AGQ	485A-11		480B-16	94478-14J00	445A-9
68695-17K00-AX2	485B-4-1		481A-18		445B-9
68695-17K00-JSP	485B-4-2		481A-22		485A-23
68695-17K10-AGQ	485A-5		481B-17		485B-19
68695-17K20-BDH	485A-6		481B-21	94479-35F00	483A-18
69100-13810	555A-10			94480-17K00-YKV	485B-3-1
69100-47810	555A-9			94480-17K00-YVZ	485B-3-2
69100-47830	555A-14			94480-17K10-YSF	485A-4
69100-47H40-999	555A-1			94486-17K00	483A-22
69115-17K00	555A-11	90000		94486-17K10	483A-23
69132-47H00	555A-15			94487-17K00	485A-12
69133-47H00	555A-16				485B-8
69134-47H00	555A-17	94400-17K00-4TX	483A-4-3	94487-17K10	483A-24
69141-40F00	555A-12	94400-17K00-YKV	483A-4-1	94491-17K00	483A-11
69150-47H20	555A-13	94400-17K00-YVZ	483A-4-2	94500-17K00-4TX	483A-6-3
69211-47H00	550A-5	94410-17K00-YKV	481B-1-1	94500-17K00-YKV	483A-6-1
69240-17K00	558A-20	94410-17K00-YVZ	481B-1-2	94500-17K00-YVZ	483A-6-2
69260-17K00	558A-21	94410-17K10-YSF	481A-1	94511-17K00	481A-11
69268-17K00	558A-22	94414-17K00	480A-17		481B-10
69270-17K00	558A-23		480B-17	94520-17K00	485A-16
69272-17K00	558A-24	94415-17K00	480A-18		485B-12
69480-17K10	558A-25		480B-18	94530-17K00	485A-20
69600-34810	558A-2	94420-17K00	480A-1		485B-16
69600-47H30	558A-1		480B-1	94540-17K00	485A-17
69665-47H00	558A-4	94430-17K00	480A-4		485B-13
69669-17K00	558A-15		480B-4	94611-17K00	481A-7
69670-40A00	558A-6	94443-06G00	474A-8		481B-6
69672-00B20	558A-8		483A-3	94620-17K00	483A-1
69674-00B20	537A-6	94443-21H00	481A-5	94621-17K00	481A-9
	558A-10		481B-5		481B-8
69686-34200	537A-4	94450-17K00-YKV	485B-5-1	94630-17K00	481A-15
	558A-9	94450-17K00-YVZ	485B-5-2		481B-14
69691-00A00	558A-3	94450-17K10-YSF	485A-7	94631-17K00	481A-8
69692-47H00	558A-5	94458-17K00	483A-12		481B-7
69693-47H00	558A-7	94460-17K00-YKV	485B-7-1	94633-31J00	480A-22
69730-17K00	558A-18	94460-17K00-YVZ	485B-7-2		480B-22
69740-17K00	558A-12	94460-17K10-YSF	485A-10	94640-17K00	481A-19
69750-17K00	558A-16	94461-17K00	483A-8		481B-18
		94462-17K00	483A-9	94670-17K00-YKV	480B-11-1
		94470-17K00-YKV	485B-1-1	94670-17K00-YVZ	480B-11-2
		94470-17K00-YVZ	485B-1-2	94670-17K10-YSF	480A-11
		94470-17K10-YSF	485A-1	94671-17K00-YKV	480A-10
		94476-17K00	483A-20		480B-10
		94476-38C00	480A-21	94680-17K00-YKV	480B-14-1
			480B-21	94680-17K00-YVZ	480B-14-2
70000		94477-17K00	485A-9	94680-17K10-YSF	480A-14
			485B-6	94980-42A01	496A-5

PART NO.	FIG.NO.-REF.NO.	PART NO.	FIG.NO.-REF.NO.	PART NO.	FIG.NO.-REF.NO.
95643-58J00	330A-6	01547-0645A	112A-21		116A-16
95700-14810	505A-16	01547-0665A	103A-12	04211-09189	112A-6
96514-17K00	505A-18	01547-0690A	112A-22	04211-11169	103A-9
96514-17K10	505A-19	01550-0610A	178A-7	04221-03059	120A-3
99000-25030	901A-5	01550-0612A	103A-16	04221-07129	206A-16
99000-25110	901A-1		185A-16	06111-07004	415A-20
99000-25140	901A-6		187A-15		415A-28
99000-31140	901A-4		350A-28	07120-0612B	140A-35
99000-32020	901A-2-1		534A-15	07120-0616A	172A-15
99000-32030	901A-2-2		536A-11		534A-18
99000-32040	901A-3	01550-0616A	185A-17	07120-0620A	312A-21
99000-32100	901A-2-4		427A-3	07120-0625A	212A-35
99000-32130	901A-2-5		462A-19	07120-0630B	312A-22
99000-32160	901A-2-3	01550-0620A	116A-19	07120-0835A	108A-15
99000-69491	126A-21		350A-26	07130-0512A	304A-7
99011-17K50-01A	496A-6-1	01550-0625A	485A-21		550A-22
99011-17K50-01E	496A-6-5		485B-17	07130-0612A	533A-7
99011-17K50-01F	496A-6-2	01550-0625B	112A-19	07130-0616A	312A-25
99011-17K50-01H	496A-6-6	01550-0840A	108A-7	07130-0620B	462A-12
99011-17K50-01K	496A-6-3		108A-13	07130-0625A	127A-8
99011-17K50-01T	496A-6-9	01550-0850A	108A-8	07130-0825A	163A-9
99011-17K50-01W	496A-6-4	01550-0865A	108A-14	08211-06141	212A-14
99011-17K50-029	496A-6-7	02112-0525B	355A-5	08211-10221	122A-14
99011-17K50-070	496A-6-8	02112-0535B	355A-2	08211-10285	122A-15
		02112-0540B	355A-3	08211-20403	122A-16
		02112-0616A	180A-13	08310-0006A	201A-40
		02122-0616A	103A-21	08313-2008A	481A-13
		02142-0410A	537A-17		481B-12
		02142-0635A	312A-20	08316-1005A	339A-10
		03511-0412A	155A-19		339A-12
01547-0516A	163A-27	03511-0516A	155A-25	08316-1006A	163A-29
01547-0612A	108A-25	03541-0412B	480A-25		312A-23
	163A-28		480B-25		334A-5
	312A-16	03541-0416A	330A-8		334A-11
	536A-10	03541-0512A	474A-10		427A-10
	537A-20	03541-0512B	480A-26		505A-14
	558A-29		480B-26		505A-17
	558A-30	03541-0516A	339A-5		534A-19
01547-0616A	187A-14		445A-16	08316-1008A	541A-19
01547-0616B	534A-16		445B-16	08319-3106A	467A-12
	534A-17		448A-13	08319-3108A	524A-18
01547-0620A	187A-3		474A-11	08319-3110A	550A-18
	189A-8		474A-19	08322-0106A	312A-14
	301A-11		485A-14		474A-13
01547-0620B	467A-15		485B-10		558A-32
01547-0625A	116A-3	03541-0516B	474A-12	08331-3112A	122A-17
01547-0630A	108A-37	03541-0525A	155A-26	08331-3114A	212A-26
01547-0635A	108A-6	04111-2015A	558A-33	08331-3115A	122A-18
	108A-12	04211-09149	112A-17	08331-4130A	108A-32
	180A-14		112A-23	08332-1106A	415A-14

PART NO.	FIG.NO.-REF.NO.	PART NO.	FIG.NO.-REF.NO.	PART NO.	FIG.NO.-REF.NO.
	415A-21	09111-06085	187A-20		485B-15
	415A-29	09111-06089	155A-16	09139-06207	533A-4
08361-2508A	163A-18	09111-06106	480A-9	09139-06208	140A-31
09100-06099	180A-10		480B-9		534A-10
09100-08305	541A-18	09111-06107	483A-13		558A-11
09103-06033	420A-15		541A-14	09139-06210	422A-8
	420B-14	09111-06250	140A-48		422B-7
09103-06066	312A-12	09116-06197	140A-30	09140-06020	212A-36
09103-06206	116A-12	09116-06514	178A-2	09140-06025	212A-33
09103-06213	112A-3	09118-06097	185A-13	09148-05038	474A-9
	112A-15	09118-06122	178A-3	09148-05045	448A-12
09103-06215	112A-4	09118-08152-A05	163A-4	09148-05052	420A-24
09103-06223	201A-30	09119-06105	163A-5		420B-23
09103-06224	112A-16	09119-08100	352A-3		422A-4
09103-06266	103A-2	09125-05042	462A-17		422B-4
09103-06307	185A-12	09125-06060	541A-6		445A-12
09103-06523	116A-13	09126-06011	206A-43		445B-12
09103-07003	126A-7		206A-44		480A-7
09103-08134	108A-9	09126-06014	212A-20		480B-7
09103-08207	481A-12	09128-06013	312A-5	09159-05019	481A-10
	481B-11	09132-05050	480A-19		481B-9
09103-08391	524A-16		480B-19	09159-05048	537A-21
09103-09012	108A-10	09134-06015	201A-31	09159-06086	420A-18
09103-10189	122A-9	09136-05062	333A-6		420B-17
09103-10366	407A-4	09136-06147	212A-4	09159-06100	163A-6
09103-10450	535A-12		212A-8	09159-10103	407A-5
09103-12078	108A-38	09137-05004	301A-12	09159-10115	543A-17
09103-12135	304A-4	09139-05078	422A-2	09159-12056	543A-4
09106-05023	212A-41		422B-2		543A-7
09106-06073	178A-12	09139-05091	485A-18		543A-12
09106-06075	108A-21		485B-14	09159-12081	108A-39
09106-06134	530A-10	09139-05092	445A-11	09159-20006	541A-9
09106-06137	304A-5		445B-11	09159-22008	206A-51
09106-07021	102A-6		448A-11	09159-24010	201A-20
09106-08160	550A-6	09139-06109	355A-7	09160-04026	330A-7
09106-08162	163A-13		462A-21	09160-05045	339A-3
09106-08164	163A-14	09139-06124	163A-32		339A-8
09106-08167	212A-32	09139-06139	445A-10	09160-06012	420A-19
09106-08185	462A-3		445B-10		420B-18
09106-08186	415A-11		534A-9		422A-9
	415A-31		558A-17		422B-8
09106-10064	415A-12	09139-06153	206A-45	09160-06088	140A-32
09106-10069	103A-24	09139-06159	206A-46		533A-5
09106-12001	462A-5	09139-06181	422A-14	09160-06126	505A-13
09111-05006	537A-18		422B-13	09160-08043	460A-7
09111-06041	212A-13	09139-06191	420A-17		460B-7
09111-06072	541A-12		420B-16	09160-08142	163A-15
09111-06081	420A-16	09139-06206	460A-4	09160-10020	201A-32
	420B-15		460B-4	09160-10144	212A-34
	474A-18		485A-19	09160-12036	304A-6

PART NO.	FIG.NO.-REF.NO.	PART NO.	FIG.NO.-REF.NO.	PART NO.	FIG.NO.-REF.NO.
09160-12037	543A-19	09247-14036	116A-4	09280-33004	112A-10
09160-14016	212A-21	09248-10006	103A-6	09280-33006	178A-5
09160-15045	201A-33	09248-10010	108A-27	09280-45004	103A-19
09160-25056	201A-19	09248-12004	108A-23	09282-10012	201A-37
09160-25070	550A-9	09248-16012	103A-14	09283-06013	201A-38
09160-27008	206A-8	09248-16013	108A-34	09283-14005	212A-24
09161-10009	536A-5	09250-05009	462A-11	09283-40043	206A-38
	558A-26	09250-06012	445A-14	09284-18005	212A-31
09164-06006	180A-11		445B-14	09284-37001	550A-4
09164-24008	201A-21	09251-09002	505A-15	09285-10004	201A-39
09167-27001	206A-9	09259-36021	112A-9	09285-20006	206A-10
09168-06018	108A-26	09261-03020	126A-4	09285-32004	530A-4
09168-06023	103A-15	09261-04005	126A-10	09285-39001	550A-15
	112A-5	09262-25001	206A-14	09320-08021	422A-3
09168-06025	180A-12	09262-25006	212A-9		422B-3
09168-08016	108A-18	09262-25167	530A-3	09320-08028	480A-8
09168-10002	108A-28	09262-28052	550A-3		480B-8
09168-10031	108A-11	09262-30001	206A-36		481A-14
09168-12002	108A-24	09262-32022	550A-14		481B-13
09168-12017	103A-23	09263-10014	201A-34	09320-08066	163A-33
09168-14002	116A-5	09263-12023	122A-11	09320-08071	420A-20
09168-16002	108A-33	09263-12027	201A-35		420B-19
09168-16009	103A-13	09263-14027	212A-23	09320-08501	312A-19
09169-06076	334A-3	09263-15003	201A-36	09320-09016	460A-5
	334A-9	09263-17046	543A-14		460B-5
09180-06263	339A-9	09263-20070	541A-3		485A-13
09180-06283	445A-13	09263-20074	543A-9		485B-9
	445B-13	09263-20114	206A-15	09320-09039	333A-7
09180-06290	178A-4	09263-22074	206A-37	09320-10050	422A-10
	185A-14	09263-24030	206A-31		422B-9
09180-06319	140A-33	09263-25018	212A-10	09320-10051	178A-6
09180-06331	312A-18	09263-26035	122A-12		185A-15
	534A-11	09263-27013	541A-2	09320-10054	339A-4
09180-08152	163A-7	09263-35015	201A-4	09320-10055	140A-34
	163A-16	09263-35045	201A-5	09320-10066	533A-6
09181-12158	116A-14		206A-32	09320-12048	163A-17
09181-12167	122A-10	09267-30010	524A-2	09320-12077	163A-8
09181-14195	212A-22		524A-9	09321-06013	480A-23
09181-16214	407A-6	09269-08003	524A-15		480B-23
09181-24005	206A-30	09280-04004	103A-7	09321-06026	474A-20
09181-25223	201A-22		108A-20	09321-10002	505A-3
09181-27016	206A-52	09280-08012	108A-29	09321-10018	483A-19
09200-06068	558A-31	09280-15007	116A-15	09352-11153-600	407A-10
09206-08007	103A-3	09280-15015	178A-13	09352-50823-600	350A-24
09206-10016	102A-7	09280-17003	112A-8	09355-30705-600	140A-26
09208-08018	415A-13	09280-19008	116A-18	09360-10062	536A-6
09208-08020	415A-18	09280-20002	108A-5		558A-27
	415A-26	09280-26005	206A-53	09360-10064	536A-7
09246-05006	108A-22		212A-42	09362-09011	187A-11
	108A-35	09280-28005	187A-10	09380-09003	122A-13

SUZUKI GSX-R1000AL7 PARTS CATALOGUE

SUZUKI MOTOR CORPORATION All rights reserved

No part of this document may be reproduced or transmitted in any form or by any means, electronic or mechanical, for any purpose, without the express written permission of Suzuki Motor Corporation.

SUZUKI MOTOR CORPORATION

Service Material & Training Group, Service Material In-House Production Dept.
300 Takatsuka, Minami, Hamamatsu, Japan

SUZUKI MOTOR CORPORATION

PRINTED IN JAPAN

9900B-31330-000