

SUZUKI

PARTS CATALOGUE

GSX-R1000A/RA/RZAL8

(JS1DM11A/JS1DM11G)

GSX-R1000A

GSX-R1000RA

GSX-R1000RZA



E21

2018-1

2ND EDITION

This part catalogue supersedes all the following part catalogue with immediate effect

Model of catalogue	Parts catalogue No.
GSX-R1000AL8_E21	9900B-31439-000

GSX-R1000AL8



YWW

GSX-R1000AL8



YKV

GSX-R1000RZAL8



YWW

GSX-R1000RZAL8



YVB

PREFACE

When it becomes necessary to replace parts on SUZUKI MOTORCYCLES, always use SUZUKI GENUINE PARTS which have passed a strict inspection which guarantees quality and performance.

This parts catalogue covers the list of all service parts for SUZUKI GSX-R1000AL8, GSX-R1000RZL8, GSX-R1000RAL8.

INSTRUCTIONS FOR QUOTING THE CATALOGUE

1. DIMENSIONS

Dimensions of the parts in this catalogue are indicated in unit millimeters.

2. ABBREVIATIONS

Abbreviations used in this catalogue are as follows:

AR	: As required	NT	: Number of teeth
ASSY	: Assembly	OPT	: Optional
E.NO.	: Engine number	OS	: Over size
F.NO.	: Frame number	STD	: Standard
D	: Diameter of material	T	: Thickness
ID	: Inside diameter	US	: Under size
OD	: Outside diameter	W	: Width
L	: Length		
LH	: Left hand side		
RH	: Right hand side		
~100045	: Up to F.NO. 100045		
100046~	: From F.NO. 100046		
12 x 34 x 5.6 Figures in the description column		
	show the dimensions of parts.		
ID OD T(or W,L)			

→12345-56781 (Parts No.) : indicates that the parts number was changed to 12345-56781 and the new parts are interchangeable with the former ones but the former ones are not interchangeable with new ones.

←12345-56781 (Parts No.) : indicates that the former and new parts are interchangeable with each other and both are usable.

3. INNER PARTS OF ASSEMBLY

Part name with a dot (.) in front as shown in the description column indicates the component of the assembly also available individually.

4. MODIFICATION NOTICE

A parts bulletin will be sent to you on all occasions when changes in parts occur, including interchangeable modifications between new parts and old ones.

5. NOTE

5-1. There are some different parts from those of production models among spare parts for the administrative reasons and common use of them with other models.

5-2. In respect of rubber hoses and vinyl tubes, please be sure to use them by cutting off according to the length mentioned on parts catalogue or what is actually required on the vehicle.

5-3. Note that the drawings on the illustration page are for ready reference of spare parts number, not to be used as an assembly manual.
When assembling, use "SUZUKI SERVICE MANUAL".

6. SPECIFICATION CODE

This catalogue contains the parts for the model designed for the following spec. ;
spec. code : E21.

7. SERIAL FRAME NUMBER

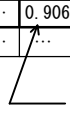
GSX-R1000AL8 : JS1DM11AZJ2100001~
GSX-R1000RAL8 : JS1DM11GZJ2100001~
GSX-R1000RZAL8 : JS1DM11GZJ2100001~

MILLIMETER → INCH CONVERSION CHART

	0	1	2	3	4	5	6	7	8	9
00	.000	.039	.079	.118	.157	.197	.236	.276	.315	.354
10	.394	.433	.472	.512	.551	.591	.630	.669	.709	.748
20	.787	.827	.866	.906	.945	.984	1.024	1.063	1.102	1.142
30	1.181	1.220	1.260	1.299	1.339	1.378	1.417	1.457	1.496	1.535
40	1.575	1.614	1.654	1.693	1.732	1.772	1.811	1.850	1.890	1.929
50	1.969	2.008	2.047	2.087	2.126	2.165	2.205	2.214	2.283	2.323
60	2.362	2.402	2.441	2.480	2.520	2.559	2.598	2.638	2.677	2.717
70	2.756	2.795	2.835	2.874	2.913	2.953	2.992	3.031	3.071	3.110
80	3.150	3.189	3.228	3.268	3.307	3.346	3.386	3.425	3.465	3.504
90	3.543	3.583	3.622	3.661	3.701	3.740	3.780	3.819	3.858	3.898

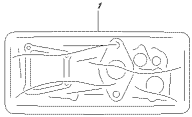
How to read

	0	1	2	3	4
00
10
20	0.906	...
30


 23 millimeters equal 0.906 inch

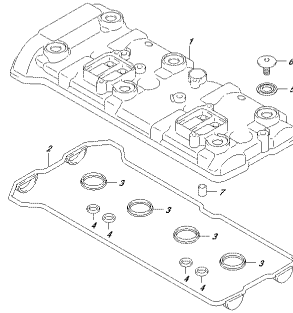
Contents are subject to change without notice or obligation.

FIG. 101A



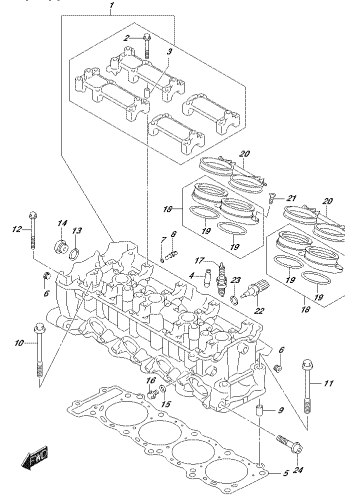
OSKFI 1030MIL_EPL_101A
GRANDET SET

FIG. 102A



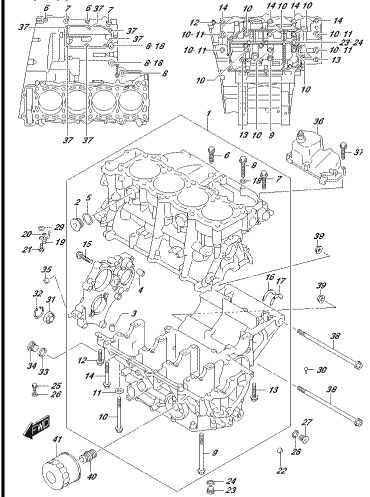
OSKFI 1030MIL_EPL_102A
STURZSEITIGER MOTOR

FIG. 103A



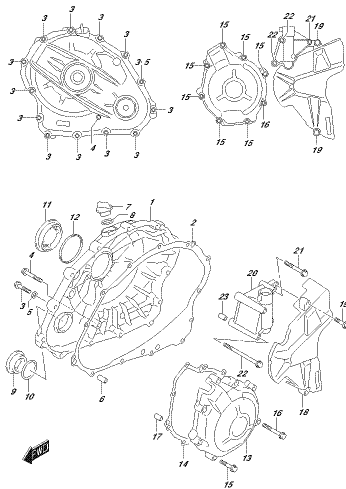
OSKFI 1030MIL_EPL_103A
STURZSEITIGER MOTOR

FIG. 108A



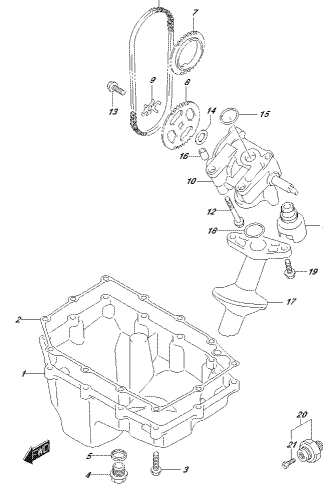
OSKFI 1030MIL_EPL_108A
GRANDET SET

FIG. 112A



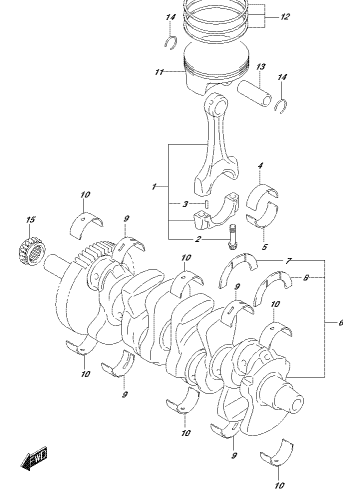
OSKFI 1030MIL_EPL_112A
GRANDET SET COVER

FIG. 116A



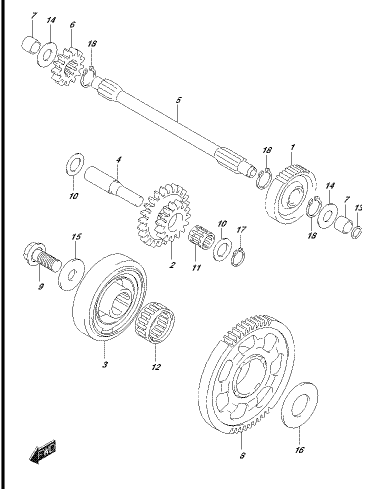
OSKFI 1030MIL_EPL_116A
ÖL-PUMPE PUMP

FIG. 120A



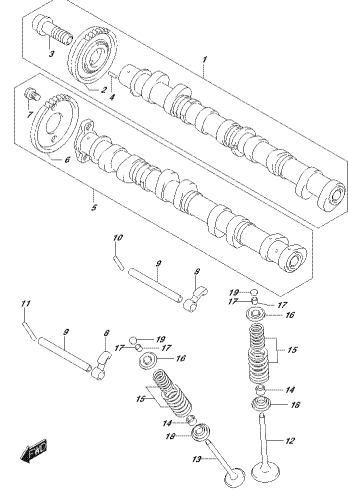
OSKFI 1030MIL_EPL_120A
GRANDET SET

FIG. 122A



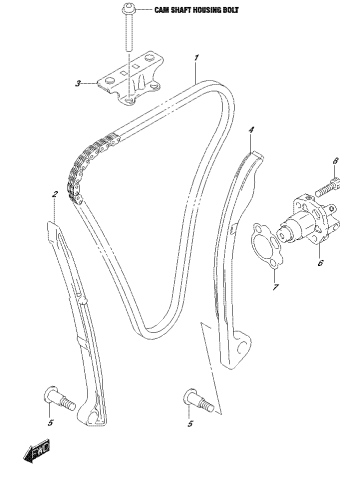
OSKFI 1030MIL_EPL_122A
STARTER-RELECH

FIG. 126A



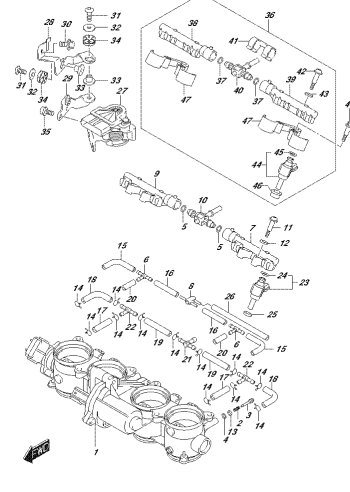
OSKAR ROSSMÄLLER, EPT, 1584
OSKARSHOFEN/BAW

FIG. 127A



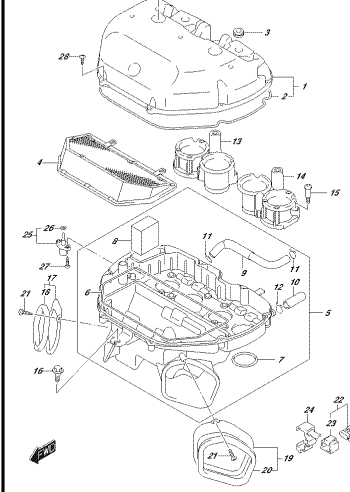
OSKAR ROSSMÄLLER, EPT, 1574
OSKARSHOFEN

FIG. 140A



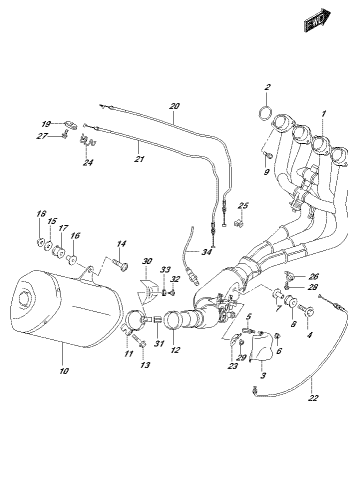
OSKAR ROSSMÄLLER, EPT, 1404
HOFEN/TEUCHOW

FIG. 155A



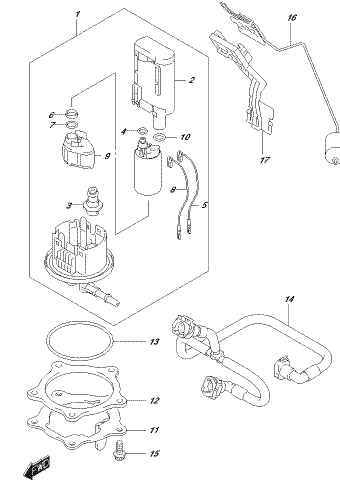
OSKAR ROSSMÄLLER, EPT, 1554
HOFEN/TEUCHOW

FIG. 163A



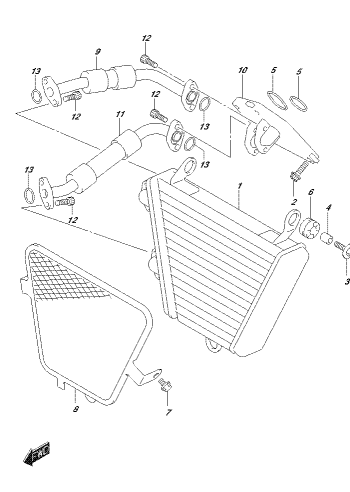
OSKAR ROSSMÄLLER, EPT, 1634
HOFEN/TEUCHOW

FIG. 172A



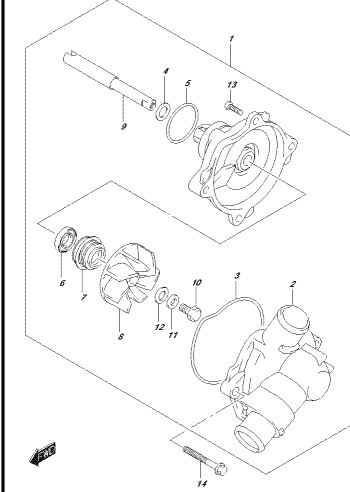
OSKAR ROSSMÄLLER, EPT, 1724
HOFEN/TEUCHOW

FIG. 178A



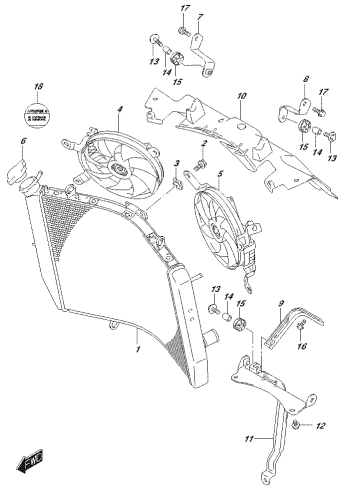
OSKAR ROSSMÄLLER, EPT, 1784
HOFEN/TEUCHOW

FIG. 180A



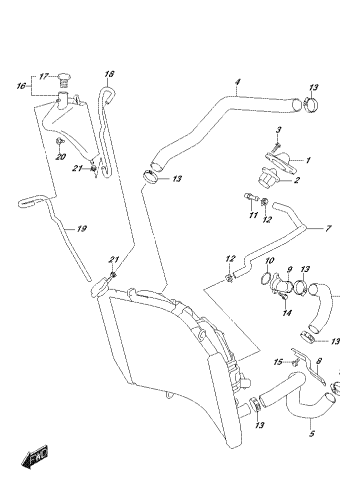
OSKAR ROSSMÄLLER, EPT, 1804
HOFEN/TEUCHOW

FIG.185A



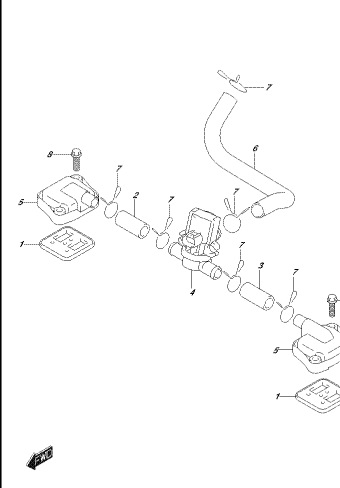
OSKARI OSMALIN, EPL_185A
OSKARI OSMALIN

FIG.187A



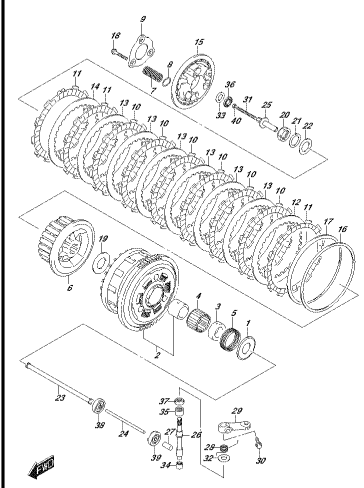
OSKARI OSMALIN, EPL_187A
OSKARI OSMALIN

FIG.189A



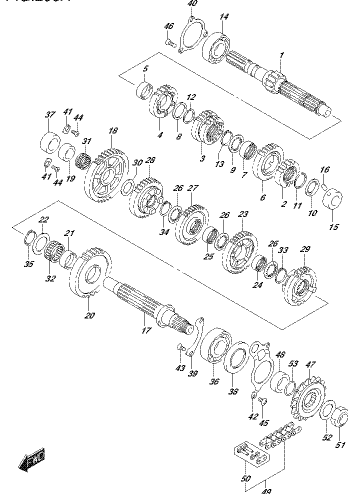
OSKARI OSMALIN, EPL_189A
OSKARI OSMALIN

FIG.201A



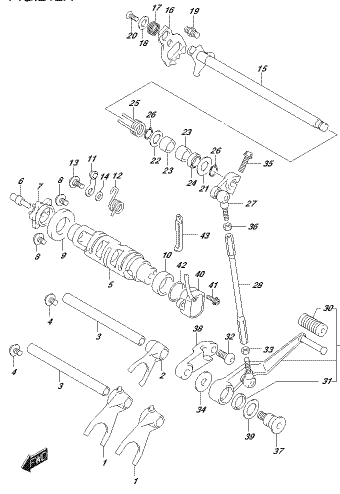
OSKARI OSMALIN, EPL_201A
OSKARI OSMALIN

FIG.206A



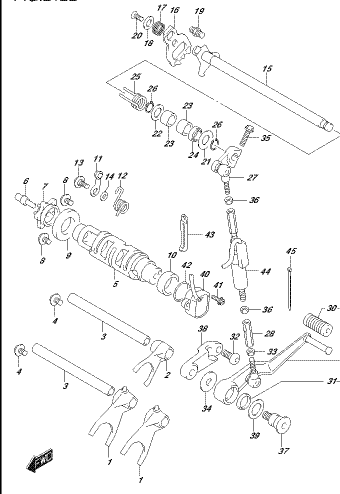
OSKARI OSMALIN, EPL_206A
TRANSMISSION

FIG.212A



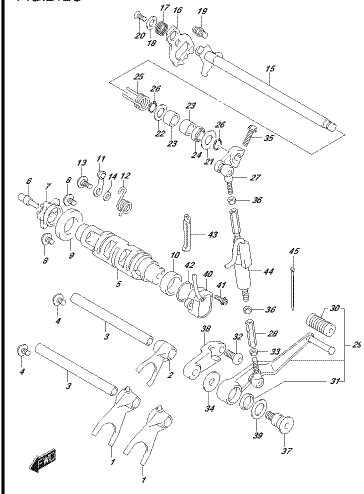
OSKARI OSMALIN, EPL_212A
GEAR SHIFTING

FIG.212B



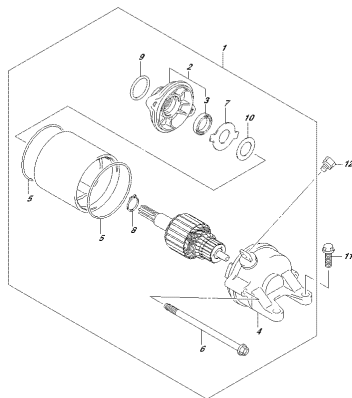
OSKARI OSMALIN, EPL_212B
GEAR SHIFTING

FIG.212C



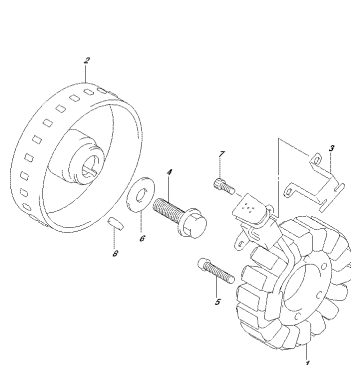
OSKARI OSMALIN, EPL_212C
GEAR SHIFTING

FIG.301A



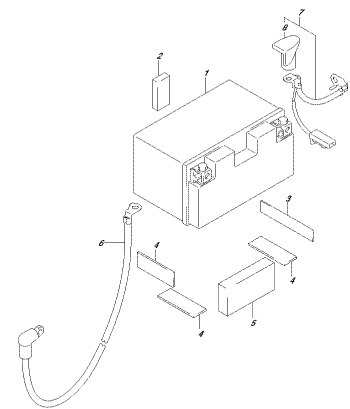
OSKFI030A01L_EPL_301A
ELECTRICAL

FIG.304A



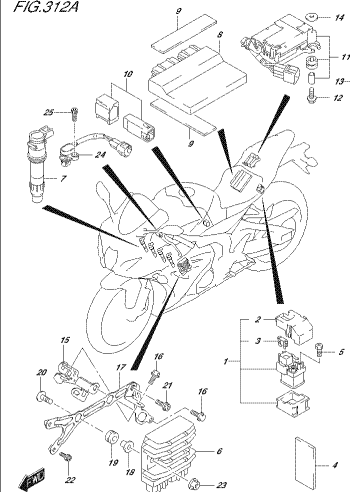
OSKFI030A01L_EPL_304A
ELECTRICAL

FIG.310A



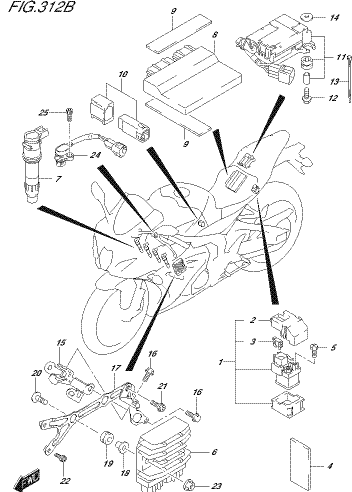
OSKFI030A01L_EPL_310A
ELECTRICAL

FIG.312A



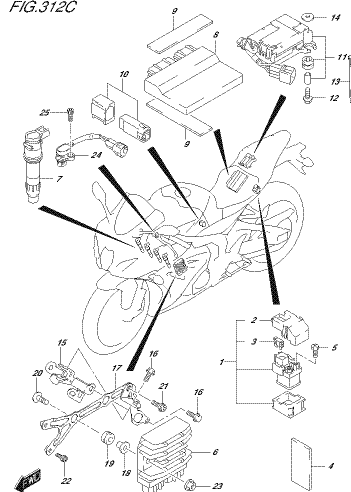
OSKFI030A01L_EPL_312A
ELECTRICAL

FIG.312B



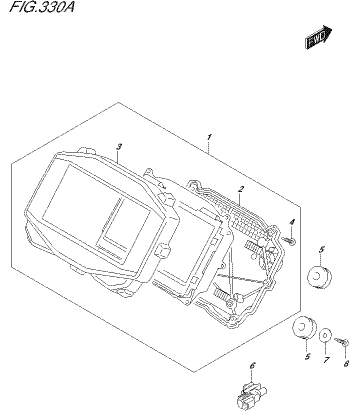
OSKFI030A01L_EPL_312B
ELECTRICAL

FIG.312C



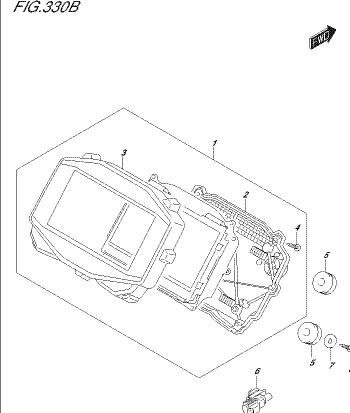
OSKFI030A01L_EPL_312C
ELECTRICAL

FIG.330A



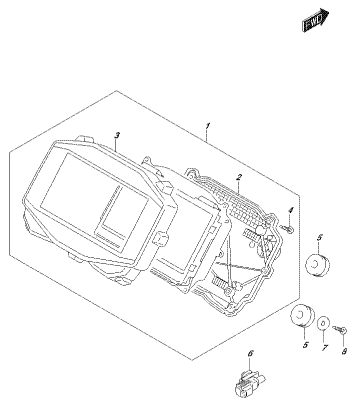
OSKFI030A01L_EPL_330A
SPEEDOMETER

FIG.330B



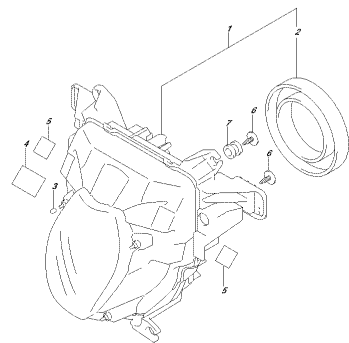
OSKFI030A01L_EPL_330B
SPEEDOMETER

FIG.330C



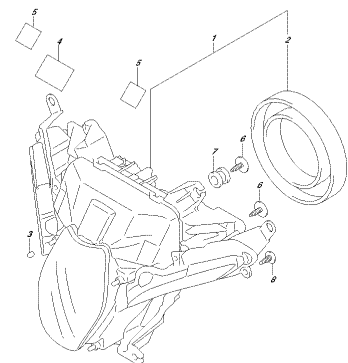
125KFI1030A16_EFI_330C
16K40L43P

FIG.333A



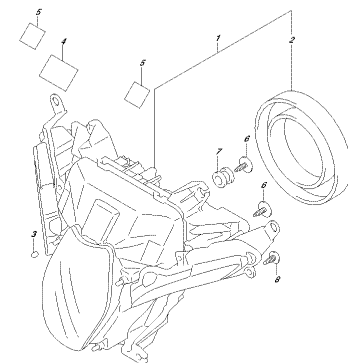
125KFI1030A16_EFI_333A
16K40L43P

FIG.333B



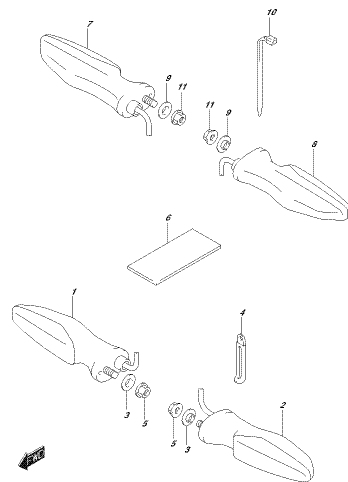
125KFI1030A16_EFI_333B
16K40L43P

FIG.333C



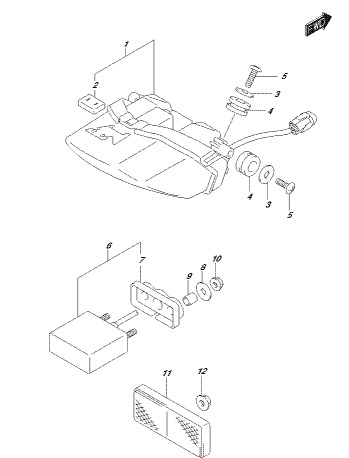
125KFI1030A16_EFI_333C
16K40L43P

FIG.334A



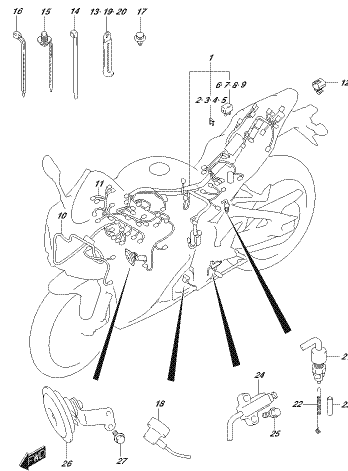
125KFI1030A16_EFI_334A
TURN SIGNAL LAMP

FIG.339A



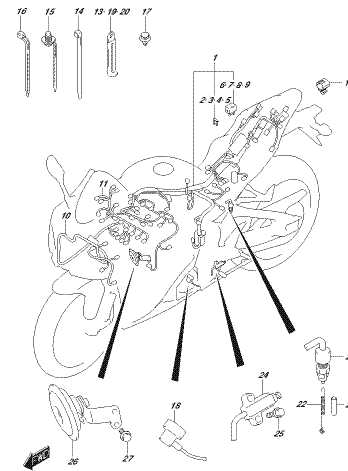
125KFI1030A16_EFI_339A
REAR CONSTRUCTION LAMP

FIG.350A



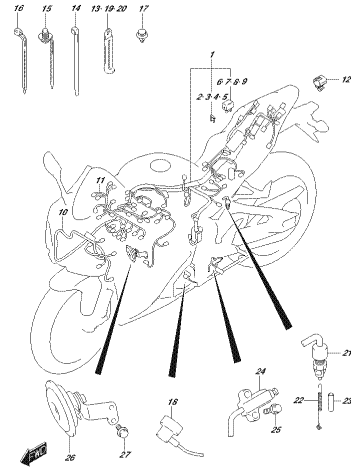
125KFI1030A16_EFI_350A
WIRING HARNESS

FIG.350B



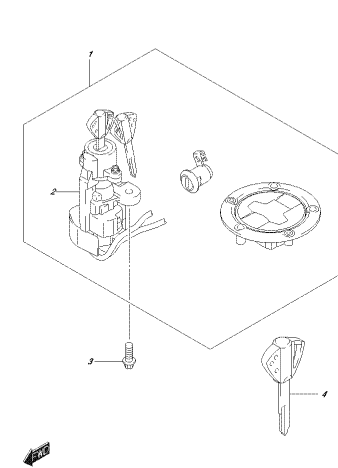
125KFI1030A16_EFI_350B
WIRING HARNESS

FIG.350C



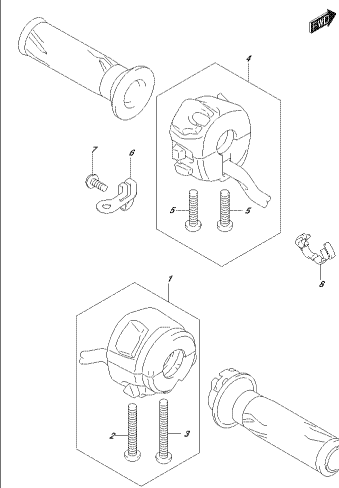
OSKAR MOTORBIEL_EPL_350C
BRODNEZ/40916202

FIG.352A



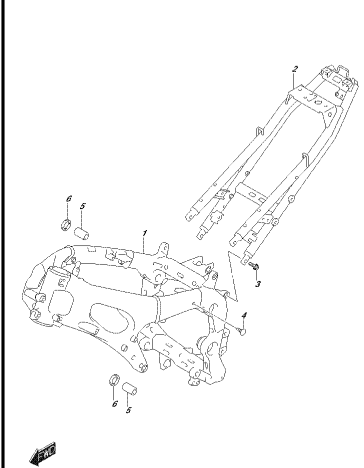
OSKAR MOTORBIEL_EPL_352A
LUCK/SET

FIG.355A



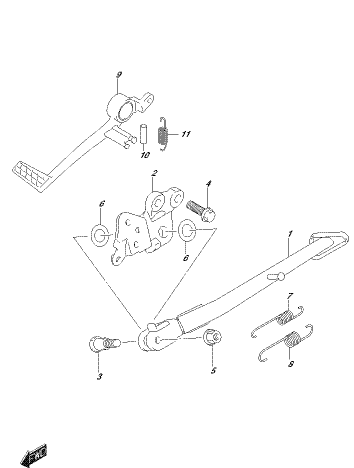
OSKAR MOTORBIEL_EPL_355A
GRANDE/209257

FIG.401A



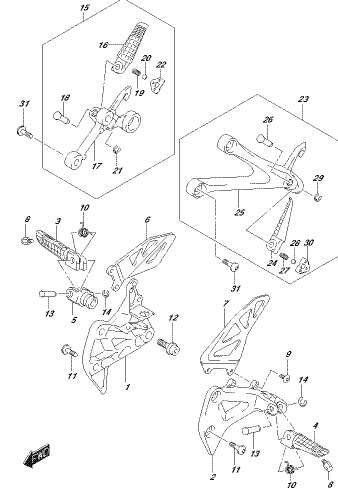
OSKAR MOTORBIEL_EPL_401A
670446C

FIG.407A



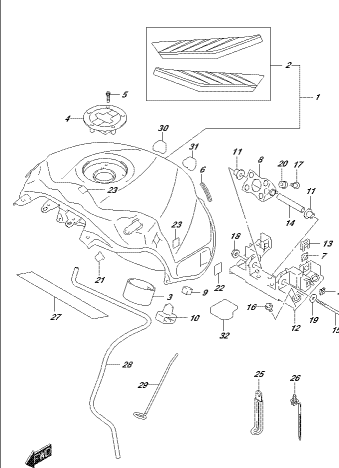
OSKAR MOTORBIEL_EPL_407A
370401

FIG.415A



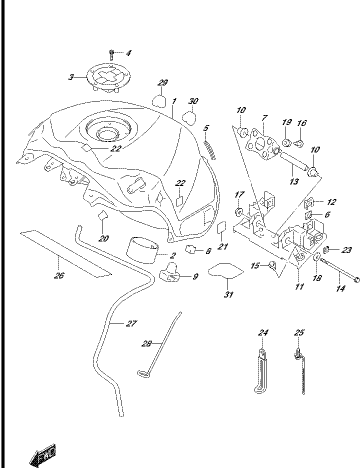
OSKAR MOTORBIEL_EPL_415A
FORK/SET

FIG.420A



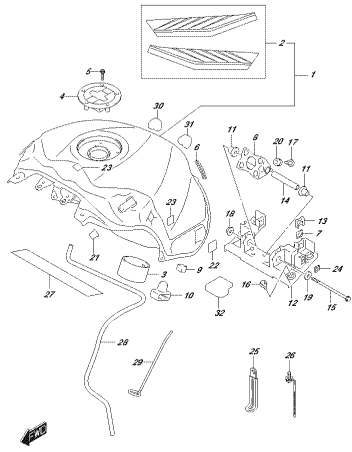
OSKAR MOTORBIEL_EPL_420A
FUEL/TANK

FIG.420B



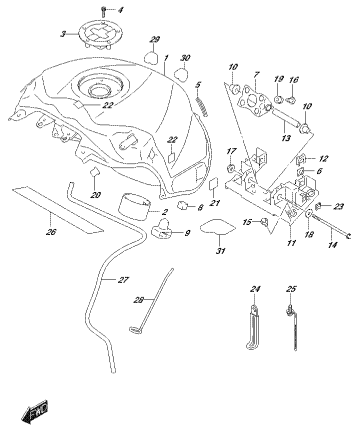
OSKAR MOTORBIEL_EPL_420B
FUEL/TANK

FIG. 420C



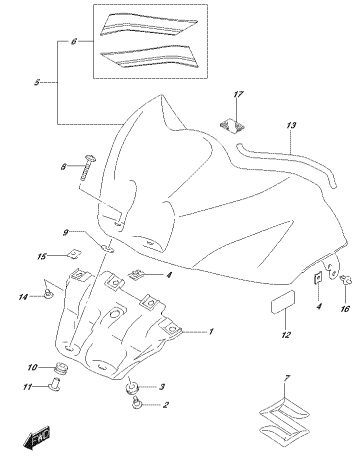
OSKRIORMAIL_EPL_420C
FUEL TANK

FIG. 420D



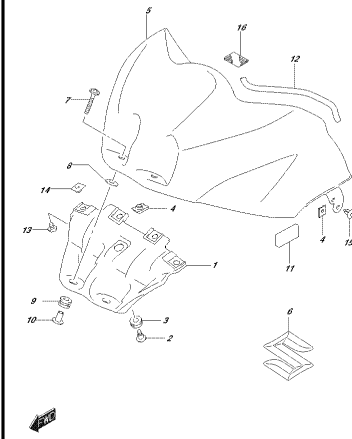
OSKRIORMAIL_EPL_420D
FUEL TANK

FIG. 422A



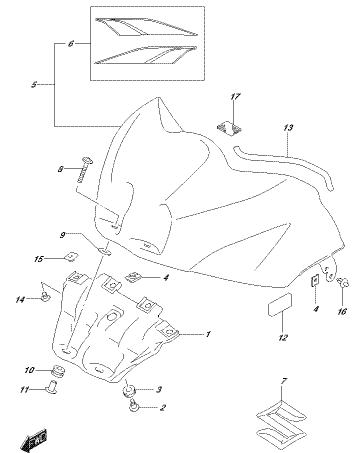
OSKRIORMAIL_EPL_422A
FUEL TANK FRONT COVER

FIG. 422B



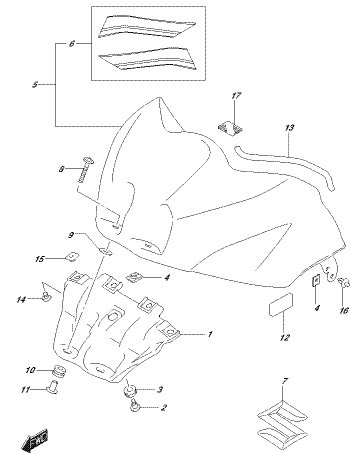
OSKRIORMAIL_EPL_422B
FUEL TANK FRONT COVER

FIG. 422C



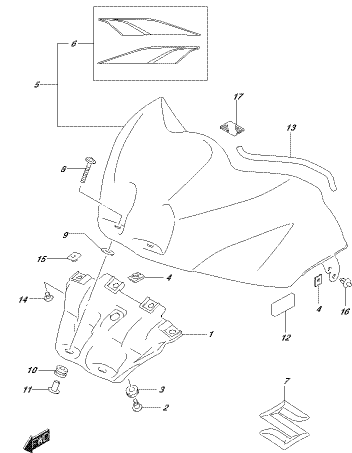
OSKRIORMAIL_EPL_422C
FUEL TANK FRONT COVER

FIG. 422D



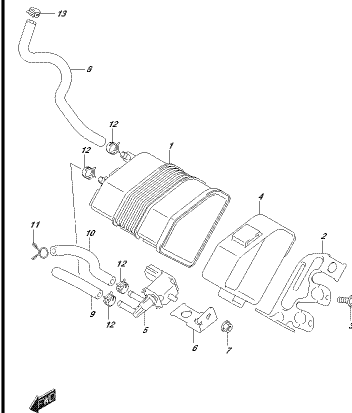
OSKRIORMAIL_EPL_422D
FUEL TANK FRONT COVER

FIG. 422E



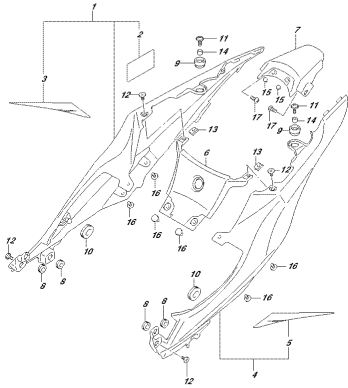
OSKRIORMAIL_EPL_422E
FUEL TANK FRONT COVER

FIG. 427A



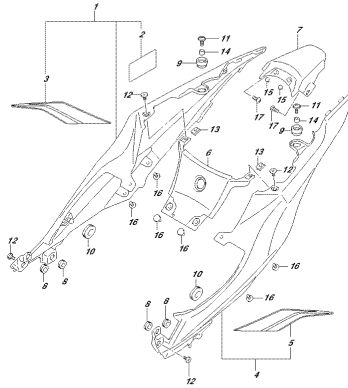
OSKRIORMAIL_EPL_427A
EVAP SYSTEM

FIG. 445A



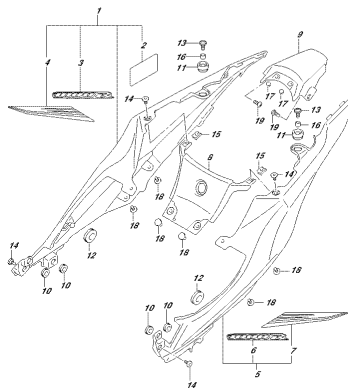
OSK R1030A16, EPL 445A
FRAME COVER

FIG. 445B



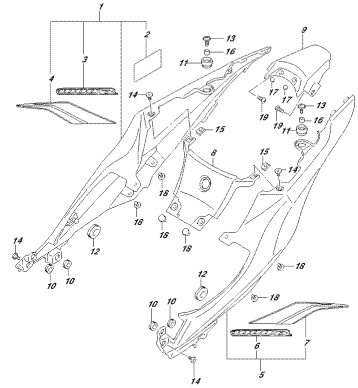
OSK R1030A16, EPL 445B
FRAME COVER

FIG. 445C



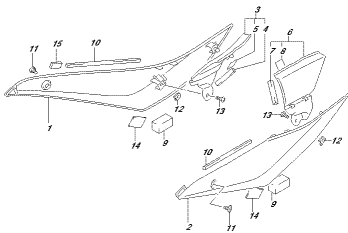
OSK R1030A16, EPL 445C
FRAME COVER

FIG. 445D



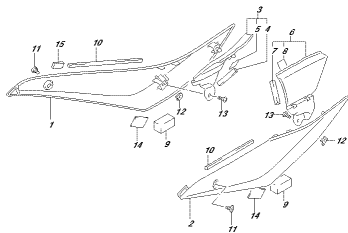
OSK R1030A16, EPL 445D
FRAME COVER

FIG. 448A



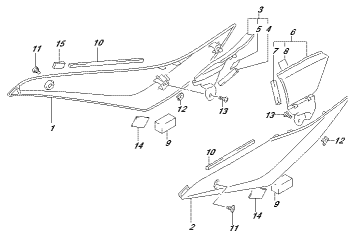
OSK R1030A16, EPL 448A
SEE LOWER COVER

FIG. 448B



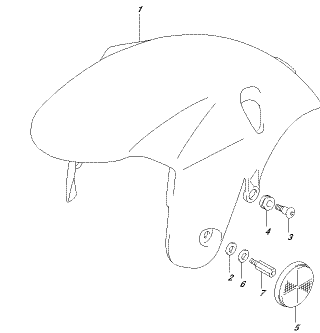
OSK R1030A16, EPL 448B
SEE LOWER COVER

FIG. 448C



OSK R1030A16, EPL 448C
SEE LOWER COVER

FIG. 460A



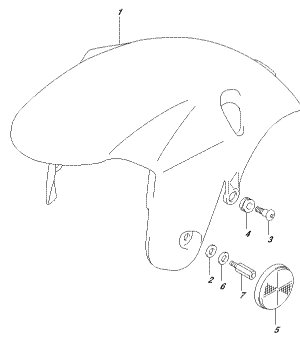
OSK R1030A16, EPL 460A
FRONT FAIRING

FIG. 460B



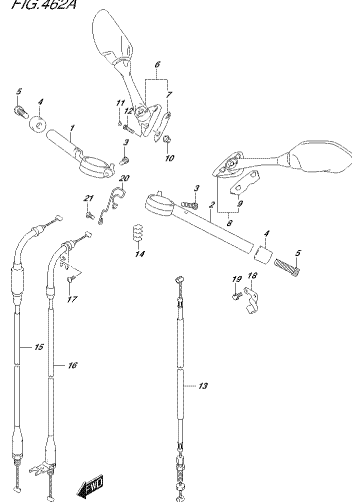
OSK F1030M1L, EPL, 460B
FODNY FENLEK

FIG. 460C



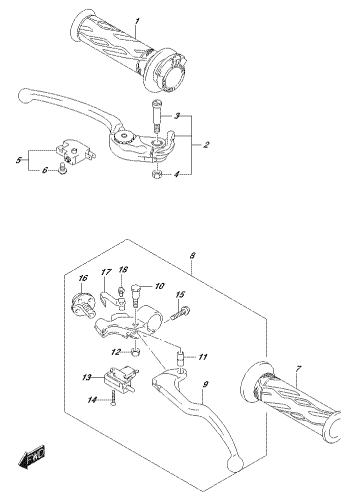
OSK F1030M1L, EPL, 460C
FODNY FENLEK

FIG. 462A



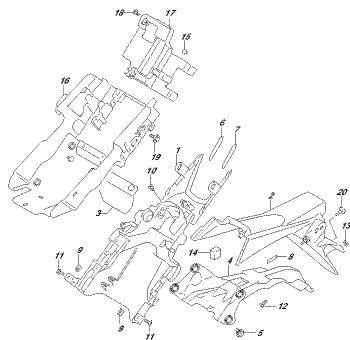
OSK F1030M1L, EPL, 462A
MANGLESZAR

FIG. 467A



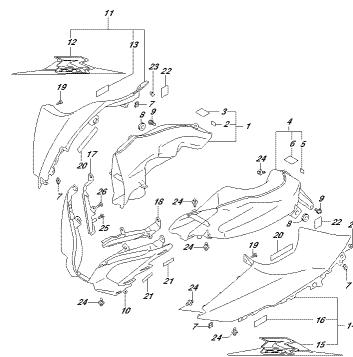
OSK F1030M1L, EPL, 467A
MANGLESZAR

FIG. 474A



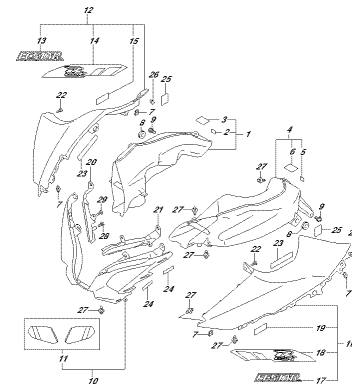
OSK F1030M1L, EPL, 474A
REAR AIR INTAKE PIPE

FIG. 480A



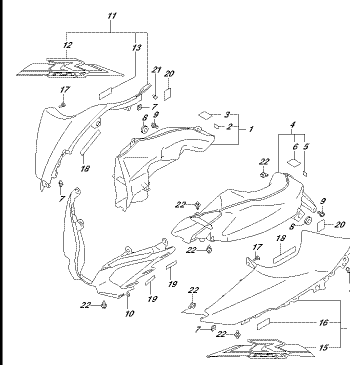
OSK F1030M1L, EPL, 480A
AIR INTAKE PIPE

FIG. 480B



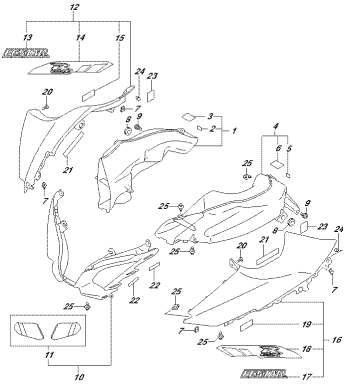
OSK F1030M1L, EPL, 480B
AIR INTAKE PIPE

FIG. 480C



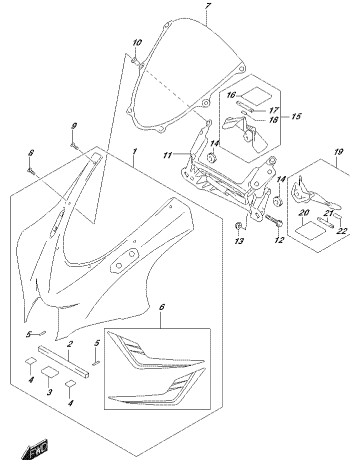
OSK F1030M1L, EPL, 480C
AIR INTAKE PIPE

FIG. 480D



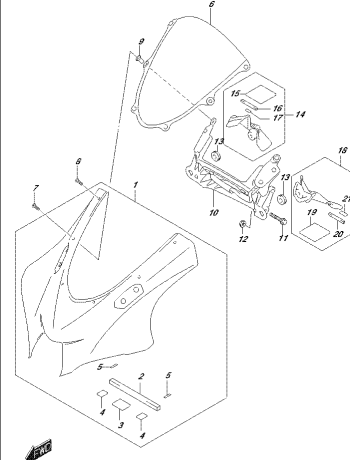
OSKRI 030A01L_EPL_480D
480 RIJANG 995C

FIG. 481A



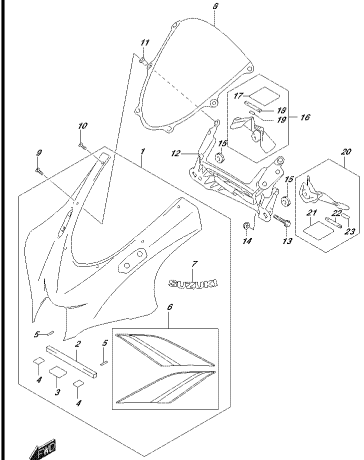
OSKRI 030A01L_EPL_481A
481 RIJANG 983D

FIG. 481B



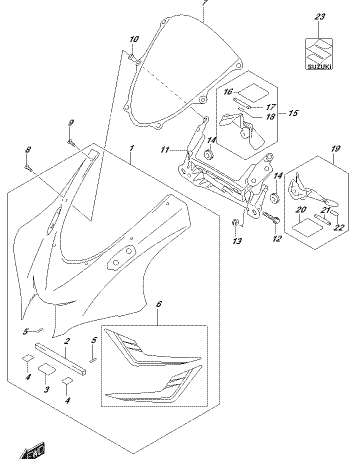
OSKRI 030A01L_EPL_481B
481 RIJANG 983D

FIG. 481C



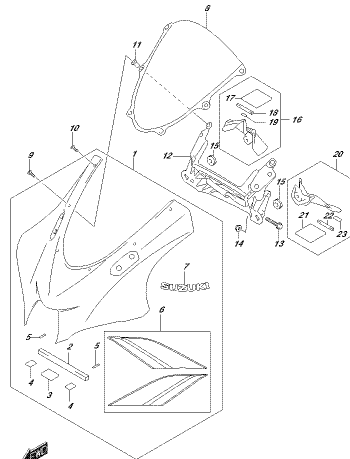
OSKRI 030A01L_EPL_481C
481 RIJANG 983D

FIG. 481D



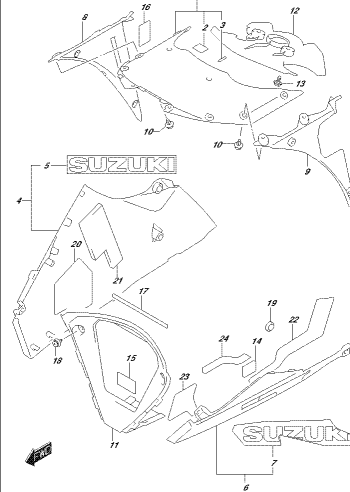
OSKRI 030A01L_EPL_481D
481 RIJANG 983D

FIG. 481E



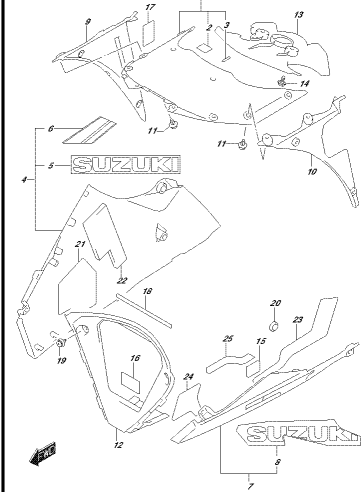
OSKRI 030A01L_EPL_481E
481 RIJANG 983D

FIG. 483A



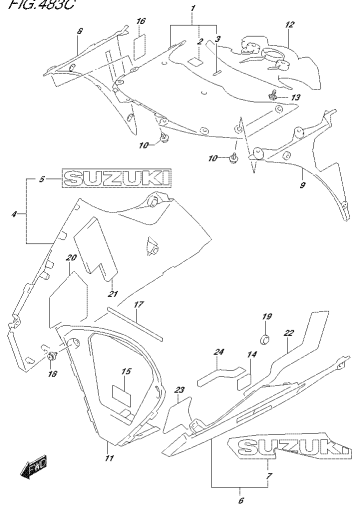
OSKRI 030A01L_EPL_483A
483 RIJANG 983D

FIG. 483B



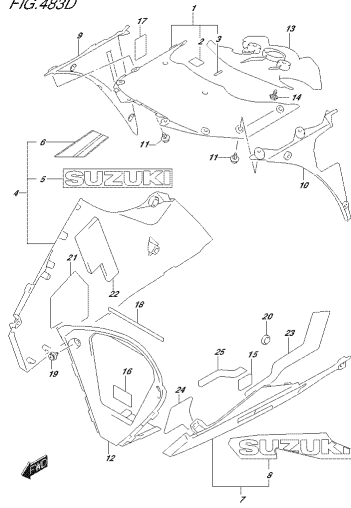
OSKRI 030A01L_EPL_483B
483 RIJANG 983D

FIG. 483C



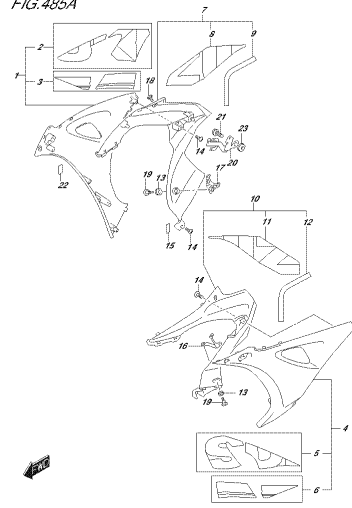
GSXF1000M1L_EPL_483C
VIERSEITIG

FIG. 483D



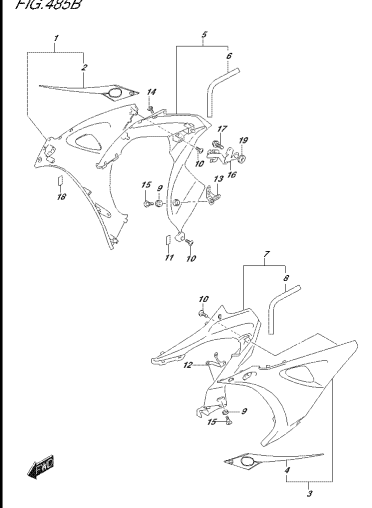
GSXF1000M1L_EPL_483D
VIERSEITIG

FIG. 485A



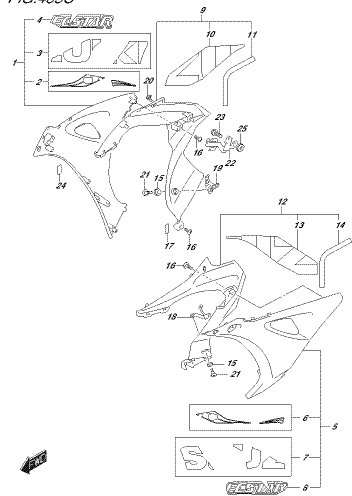
GSXF1000M1L_EPL_485A
VIERSEITIG

FIG. 485B



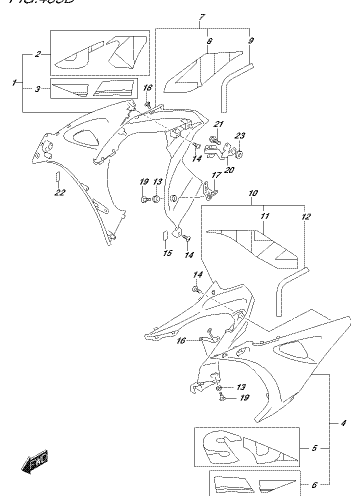
GSXF1000M1L_EPL_485B
VIERSEITIG

FIG. 485C



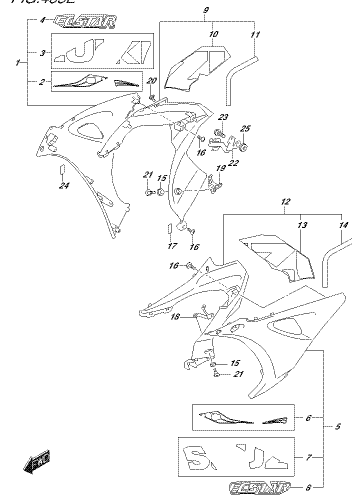
GSXF1000M1L_EPL_485C
SEITIG

FIG. 485D



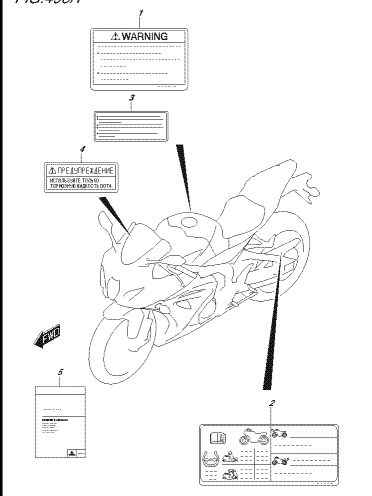
GSXF1000M1L_EPL_485D
SEITIG

FIG. 485E



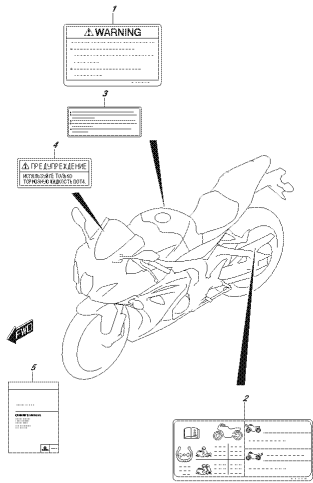
GSXF1000M1L_EPL_485E
SEITIG

FIG. 496A



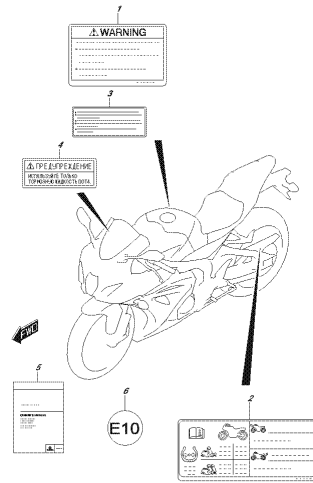
GSXF1000M1L_EPL_496A
LAMB

FIG.496B



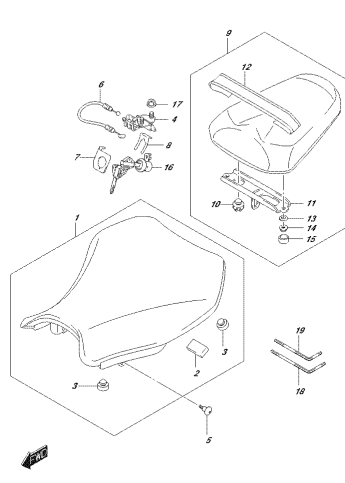
QSKF R1000AL_EPL_496B
4/2022

FIG.496C



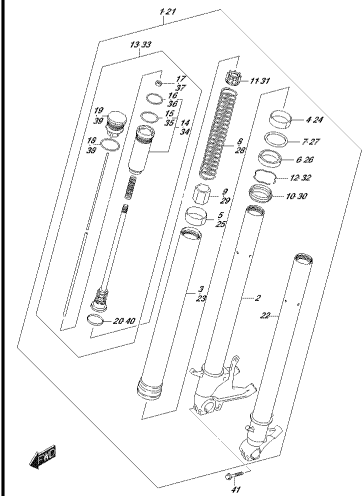
QSKF R1000AL_EPL_496C
4/2022

FIG.505A



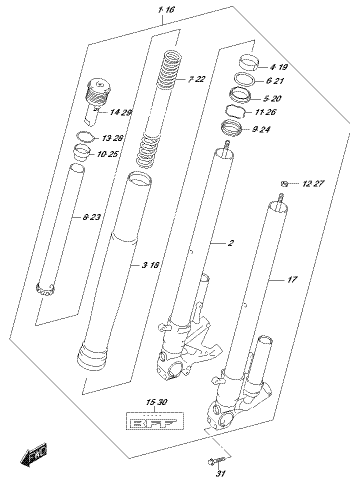
QSKF R1000AL_EPL_505A
02/21

FIG.521A



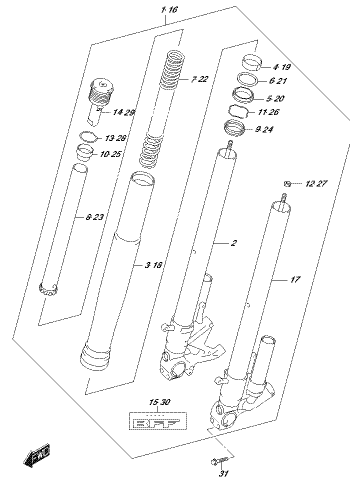
QSKF R1000AL_EPL_521A
02/21 FORK DAMPER

FIG.521B



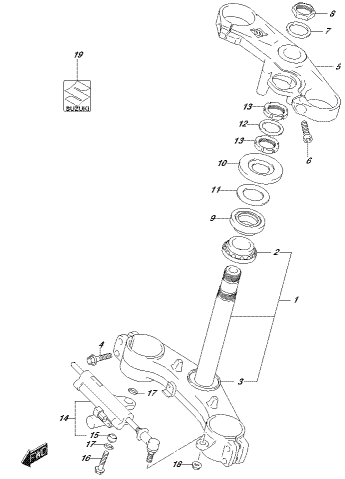
QSKF R1000AL_EPL_521B
02/21 FORK DAMPER

FIG.521C



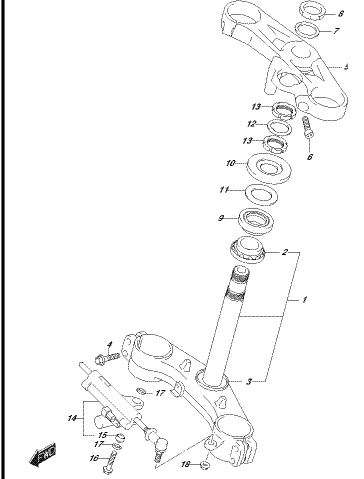
QSKF R1000AL_EPL_521C
02/21 FORK DAMPER

FIG.524A



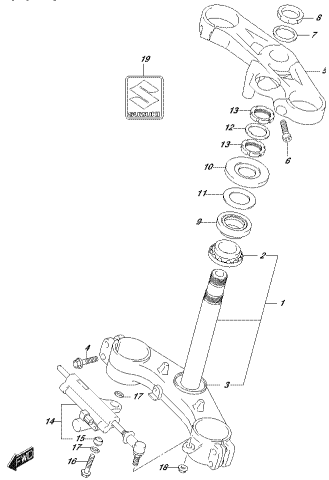
QSKF R1000AL_EPL_524A
STEERING STEM

FIG.524B



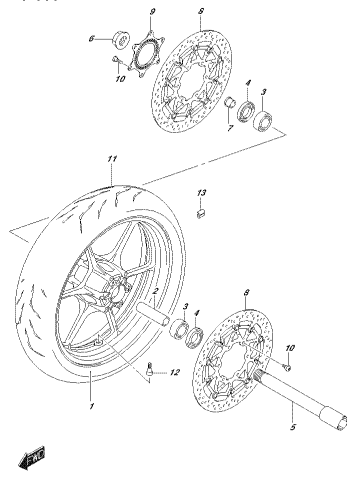
QSKF R1000AL_EPL_524B
STEERING STEM

FIG.524C



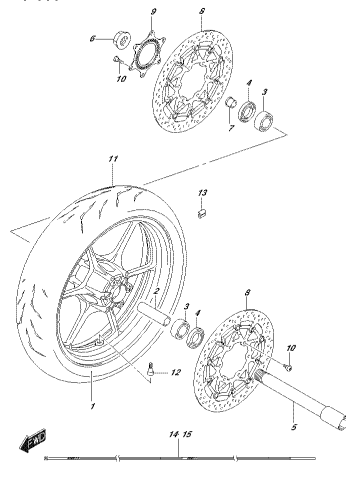
US2011/0204161, EP1_524C
FRONT WHEEL

FIG.530A



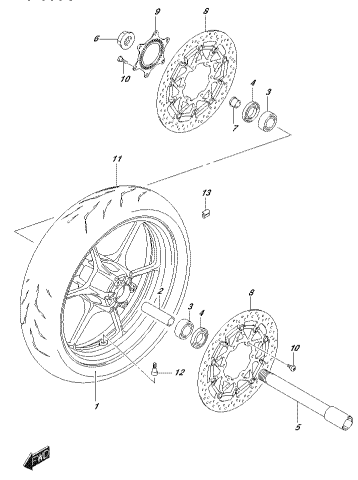
US2011/0204161, EP1_530A
FRONT WHEEL

FIG.530B



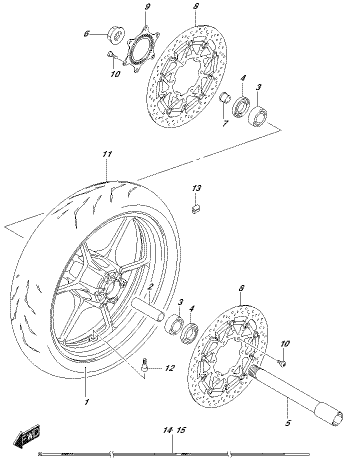
US2011/0204161, EP1_530B
FRONT WHEEL

FIG.530C



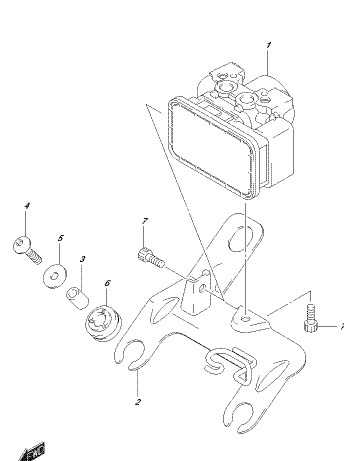
US2011/0204161, EP1_530C
FRONT WHEEL

FIG.530D



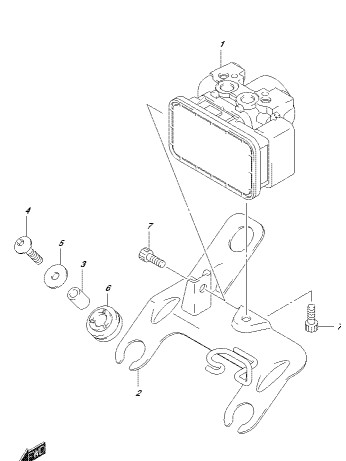
US2011/0204161, EP1_530D
FRONT WHEEL

FIG.533A



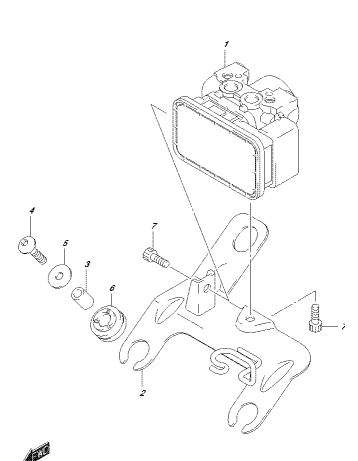
US2011/0204161, EP1_533A
HYDRAULIC UNIT

FIG.533B



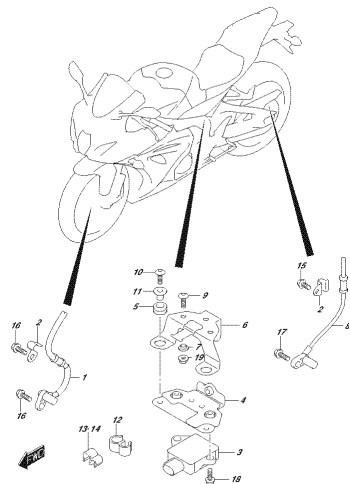
US2011/0204161, EP1_533B
HYDRAULIC UNIT

FIG.533C



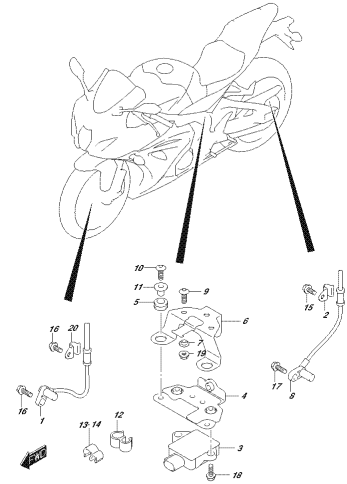
US2011/0204161, EP1_533C
HYDRAULIC UNIT

FIG.534A



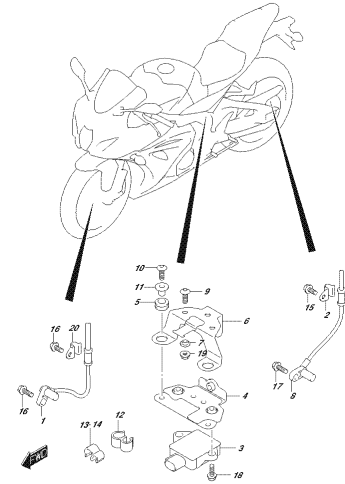
GSX-R1000AL, EPI_2504
GSX-R1000DL

FIG.534B



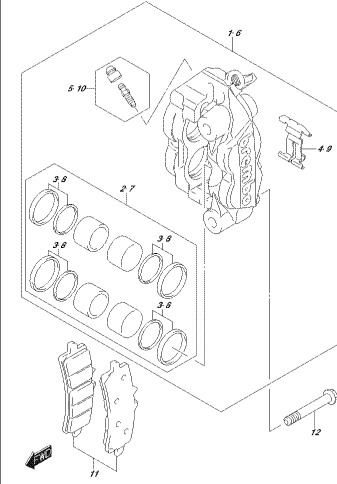
GSX-R1000AL, EPI_2509
GSX-R1000DL

FIG.534C



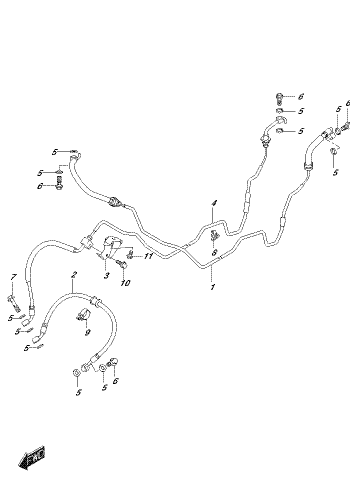
GSX-R1000AL, EPI_250C
GSX-R1000DL

FIG.535A



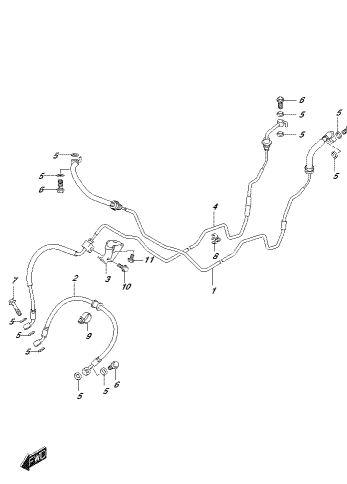
GSX-R1000AL, EPI_250K
GSX-R1000DL

FIG.536A



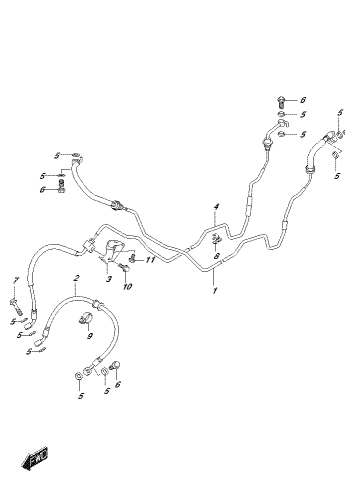
GSX-R1000AL, EPI_250K
FRONT BRAKE-HOSE

FIG.536B



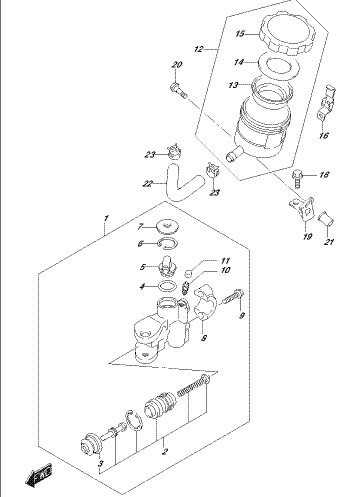
GSX-R1000AL, EPI_250D
FRONT BRAKE-HOSE

FIG.536C



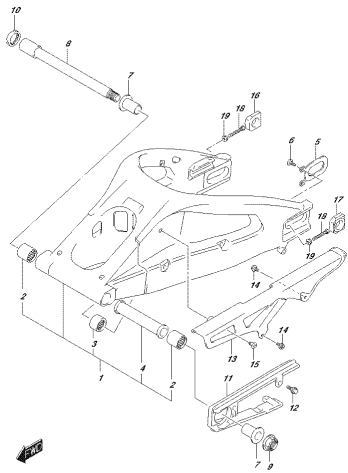
GSX-R1000AL, EPI_250C
FRONT BRAKE-HOSE

FIG.537A



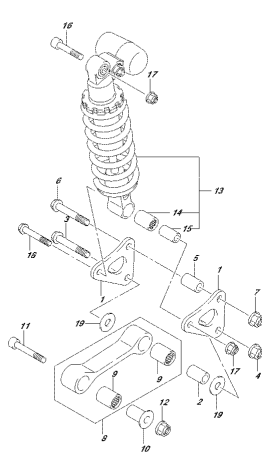
GSX-R1000AL, EPI_257A
FRONT MASTER CYLINDER

FIG.541A



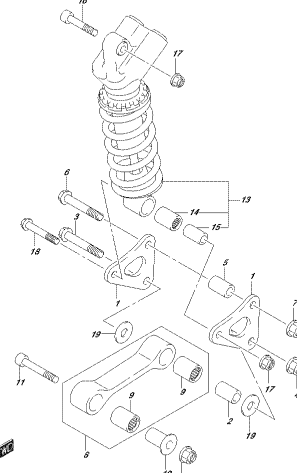
10574110300001_EPT_541A
26.491 1H=124H

FIG.543A



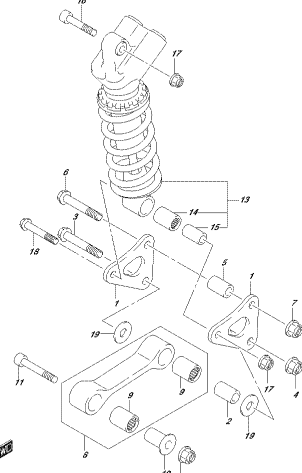
10574110300001_EPT_543A
26.491 1C=200H 1J=120P

FIG.543B



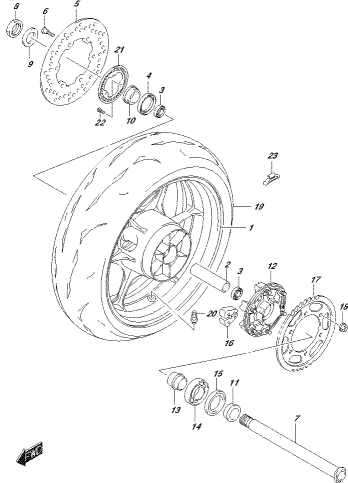
10574110300001_EPT_543B
26.491 1C=200H 1J=120P

FIG.543C



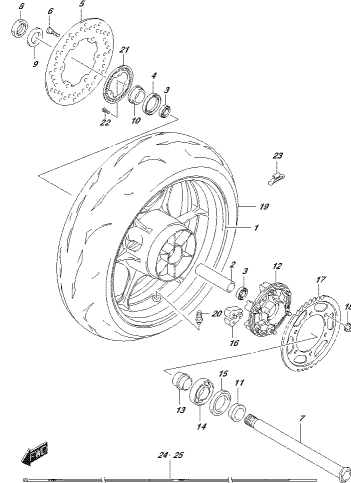
10574110300001_EPT_543C
26.491 1C=200H 1J=120P

FIG.550A



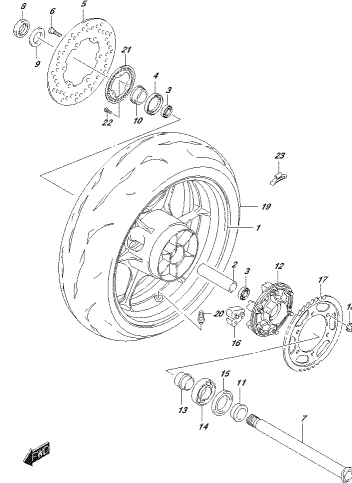
10574110300001_EPT_550A
26.491 1H=12L

FIG.550B



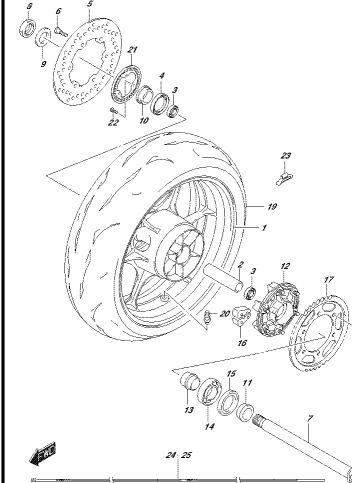
10574110300001_EPT_550B
26.491 1H=12L

FIG.550C



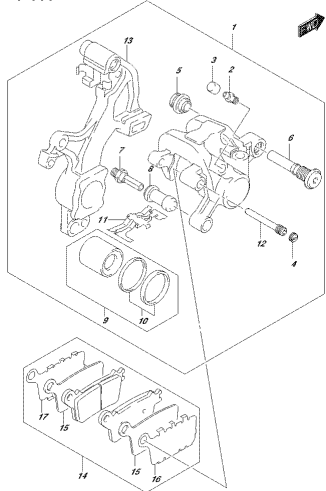
10574110300001_EPT_550C
26.491 1H=12L

FIG.550D



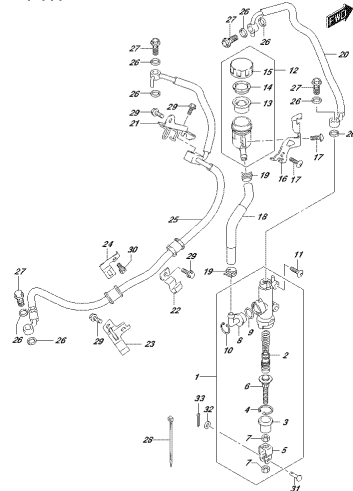
10574110300001_EPT_550D
26.491 1H=12L

FIG.555A



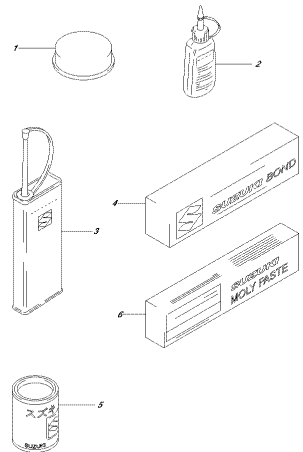
LODFP11052AK/EPL/555A
25/40/20/REP

FIG.558A



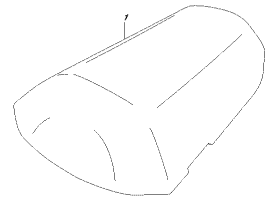
LODFP11052AK/EPL/558A
25/40/MASTER/CL/REP

FIG.901A



LODFP11052AK/EPL/901A
25/21/REP

FIG.970A



LODFP11052AK/EPL/970A
25/21/REP

FIG.101A

FIG.101A (1-B-2) GASKET SET

REF NO.	PART NO.	DESCRIPTION	QTY	REMARKS
1	11402-17810	GASKET SET	1	OPT
2	11141-17K00	.GASKET, CYLINDER HEAD	1	NOT ILLUSTRATED
3	11173-17K00	.GASKET, CYLINDER HEAD COVER	1	NOT ILLUSTRATED
4	11178-33E00	.GASKET, CYLINDER HEAD COVER NO.2	1	NOT ILLUSTRATED
5	11182-35F10	.COVER, 2ND AIR PASSAGE	1	NOT ILLUSTRATED
6	11191-27E00	.WASHER, HEAD COVER	1	NOT ILLUSTRATED
7	11482-17K00	.GASKET, CLUTCH COVER	1	NOT ILLUSTRATED
8	11483-17K00	.GASKET, MAGNETO COVER	1	NOT ILLUSTRATED
9	11489-17K00	.GASKET, OIL PAN	1	NOT ILLUSTRATED
10	12837-02H00	.GASKET, TENSIONER ADJUSTER	1	NOT ILLUSTRATED
11	14181-04K00	.GASKET, EXHAUST PIPE	1	NOT ILLUSTRATED

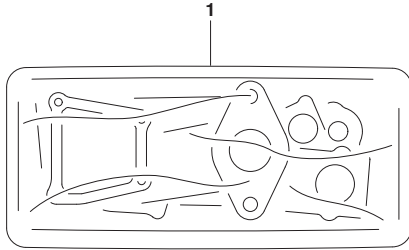


FIG.102A

FIG.102A (1-B-3) CYLINDER HEAD COVER

REF NO.	PART NO.	DESCRIPTION	Q'TY	REMARKS
1	11171-17K00	COVER, CYLINDER HEAD	1	
2	11173-17K00	GASKET, HEAD COVER	1	
3	11178-33E00	GASKET, HEAD COVER NO.2	4	
4	11182-35F10	GASKET, 2ND AIR PASSAGE	4	
5	11191-27E00	WASHER	6	
6	09106-07021	BOLT (7X17.5)	6	
7	09206-10016	PIN (8.2X10X13)	4	

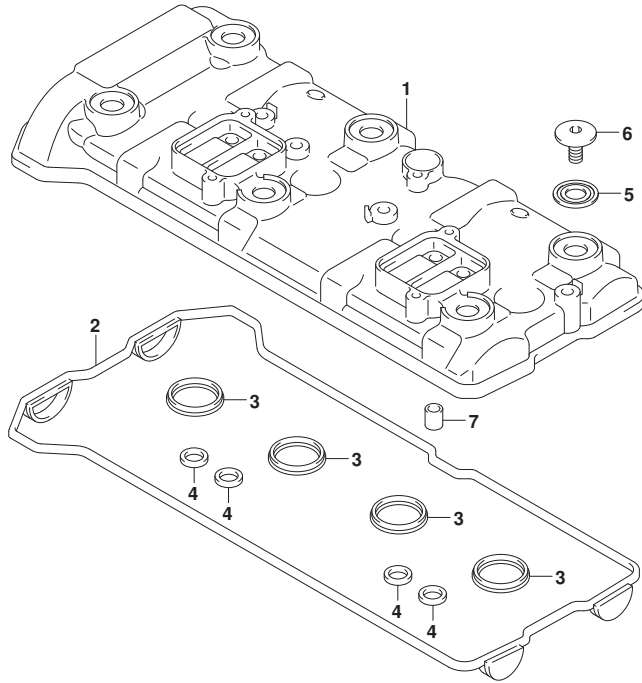
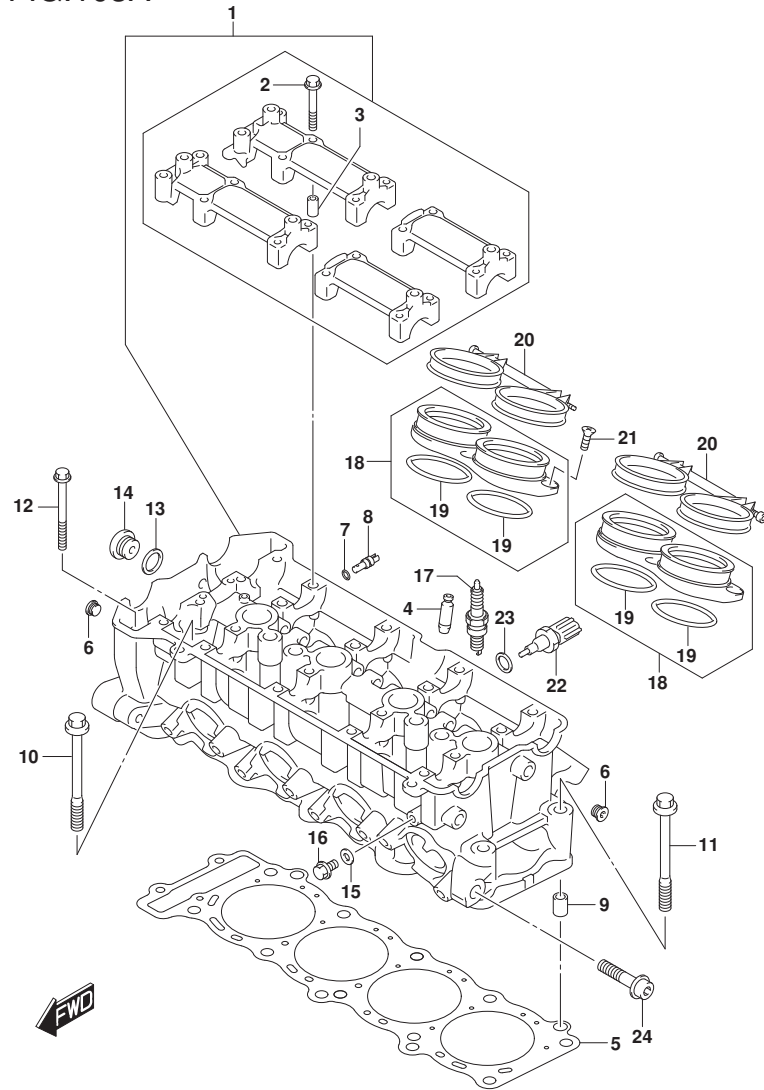


FIG.103A



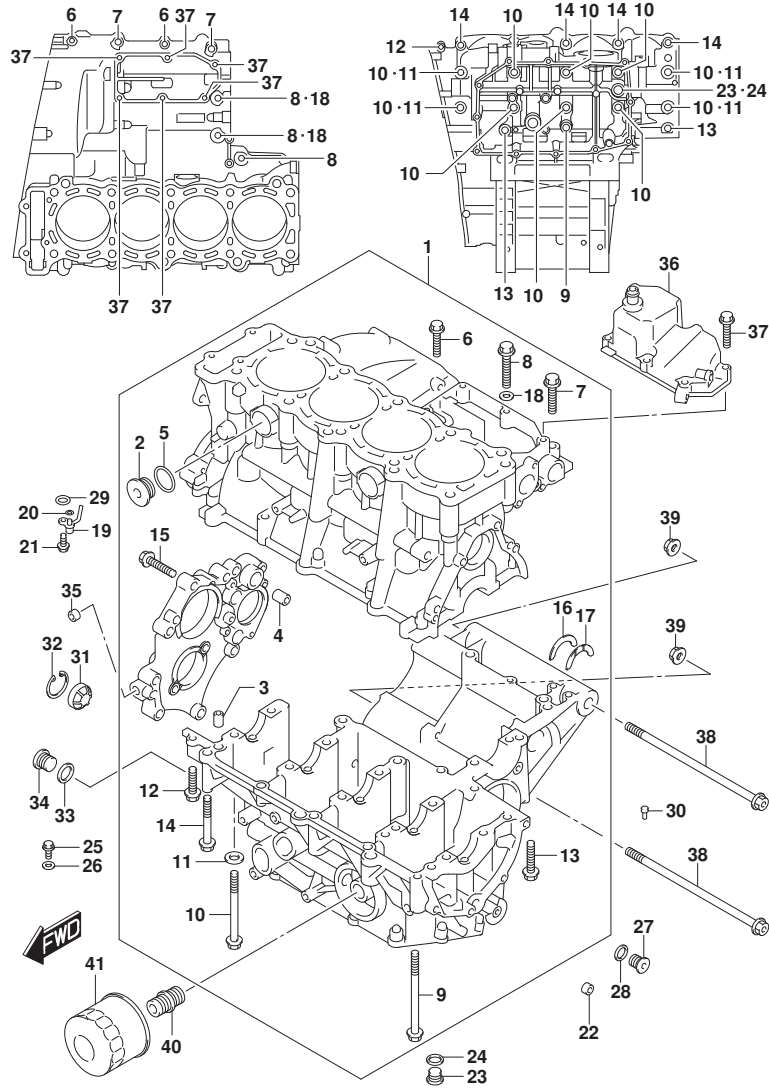
GSX-R1000AL8_E21_103A
CYLINDER HEAD

FIG.103A (1-B-4) CYLINDER HEAD

REF NO.	PART NO.	DESCRIPTION	Q'TY	REMARKS
1	11100-17K00	HEAD ASSY, CYLINDER	1	
2	09103-06266	.BOLT (6X40)	20	
3	09206-08007	.PIN (6.2X8X16)	8	
4	11115-29G70	GUIDE, VALVE (OS 0.3)	16	OPT
5	11141-17K00	GASKET, CYLINDER HEAD	1	
6	09248-10006	PLUG	4	
7	09280-04004	O RING (D:1.2,ID:4)	1	
8	09493-80005	JET (8)	1	
9	04211-11169	PIN	2	
10	11117-29G00	BOLT, CYLINDER HEAD (L95)	8	
11	11117-29G20	BOLT, CYLINDER HEAD (L95)	2	
12	01547-0665A	BOLT	2	
13	09168-16009	GASKET (16X22X0.8)	1	
14	09248-16012	PLUG (16X8)	1	
15	09168-06023	GASKET (5.8X13X1.2)	1	
16	01550-0612A	BOLT	1	
17-1	09482-00558	SPARK PLUG (CR9EIA-9)	4	NGK
17-2	09482-00557	SPARK PLUG (IU27D)	4	DENSO
17-3	09482-00556	SPARK PLUG (CR8EIA-9)	4	OPT
				NGK
17-4	09482-00560	SPARK PLUG (CR10EIA-9)	4	OPT
				NGK
17-5	09482-00555	SPARK PLUG (IU24D)	4	OPT
				DENSO
17-6	09482-00559	SPARK PLUG (IU31D)	4	OPT
				DENSO
18	13101-17K00	PIPE, INTAKE	2	
19	09280-45004	.O RING (D:2.4,ID:44.7)	4	
20	13170-17K00	CLAMP	2	
21	02122-0616A	SCREW	6	
22	13650-49X00	SENSOR, WATER TEMPERATURE	1	
23	09168-12017	GASKET (12X17X1)	1	
24	09106-10069	BOLT (10X45)	2	

GSX-R1000AL8_E21

FIG.108A



GSX-R1000AL8_E21_108A
CRANKCASE

FIG.108A (1-B-5) CRANKCASE

REF NO.	PART NO.	DESCRIPTION	Q'TY	REMARKS
1	11301-17810	CRANKCASE SET	1	
2	11318-35F00	.PLUG, WATER JACKET	3	
3	11319-33E50	.PIN, CRANKCASE	3	
4	11319-33E50	.PIN, CRANKCASE	2	
5	09280-20002	.O RING (D:3.1,ID:19.4)	3	
6	01547-0635A	.BOLT	2	
7	01550-0840A	.BOLT	2	
8	01550-0850A	.BOLT	4	
9	09103-08134	.BOLT (8X110)	1	
10	09103-09012	.BOLT (9X95)	10	
11	09168-10031	.GASKET (10.2X20X2.3)	4	
12	01547-0635A	.BOLT	1	
13	01550-0840A	.BOLT	2	
14	01550-0865A	.BOLT	4	
15	07120-0835A	.BOLT	8	
16	12228-48B00-0E0	.BEARING, THRUST RH (GREEN)	1	
17-1	12228-48B00-0B0	.BEARING, THRUST LH (BROWN)	1	
17-2	12228-48B00-0C0	.BEARING, THRUST LH (RED)	1	
17-3	12228-48B00-0D0	.BEARING, THRUST LH (YELLOW)	1	
17-4	12228-48B00-0E0	.BEARING, THRUST LH (GREEN)	1	
17-5	12228-48B00-0F0	.BEARING, THRUST LH (BLUE)	1	
17-6	12228-48B00-0G0	.BEARING, THRUST LH (ORANGE)	1	
17-7	12228-48B00-0H0	.BEARING, THRUST LH (BLACK)	1	
18	09168-08016	GASKET (8.2X14X1)	2	
19	11390-17K00	JET, PISTON COOLING	4	
20	09280-04004	O RING (D:1.2,ID:4)	4	
21	09106-06075	BOLT (6X12)	4	
22	09246-05006	PLUG (1/8PT,H:8)	1	
23	09248-12004	PLUG (L:12)	1	
24	09168-12002	GASKET (12.1X16.2X3.7)	1	
25	01547-0612A	BOLT	1	
26	09168-06018	GASKET (6.2X13X1.2)	1	
27	09248-10010	PLUG (10X10)	2	
28	09168-10002	GASKET (10X14X3.6)	2	

GSX-R1000AL8_E21

FIG.108A

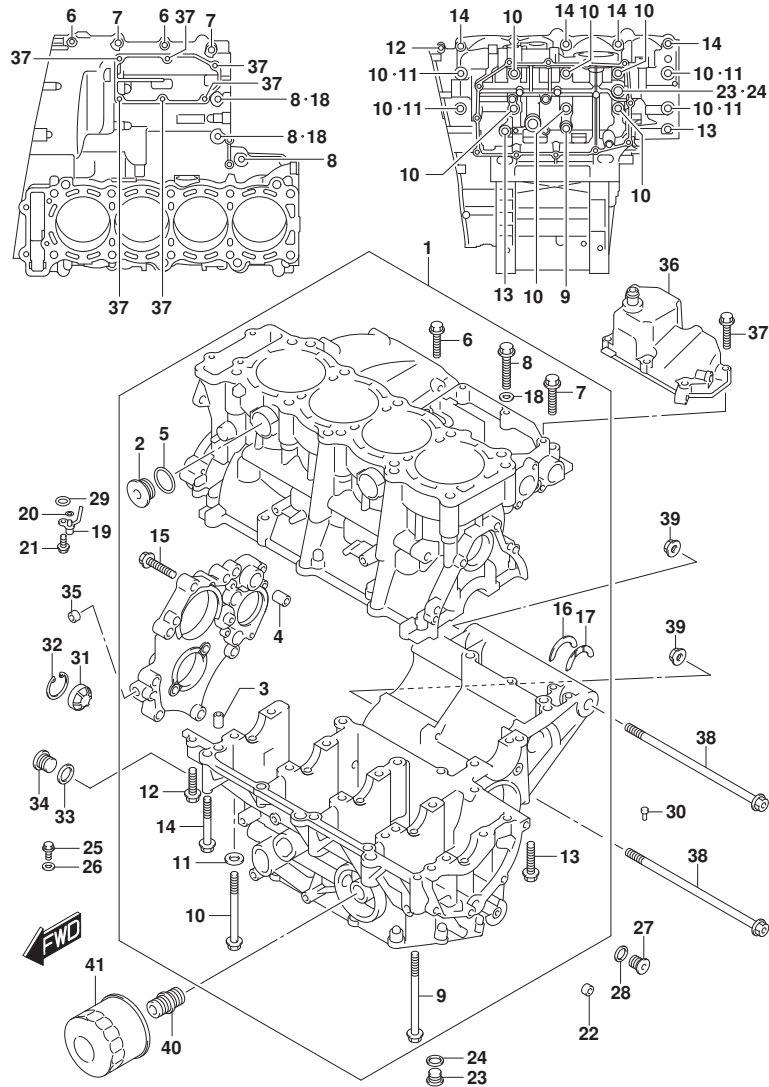


FIG.108A (1-B-6) CRANKCASE

REF NO.	PART NO.	DESCRIPTION	Q'TY	REMARKS
29	09280-08012	O RING (D:1.9, ID:7.8)	1	
30	09493-28012	JET (140)	1	
31	11971-33210	LENS, OIL LEVEL	1	
32	08331-4130A	CIRCLIP	1	
33	09168-16002	GASKET (16X22X2)	2	
34	09248-16013	PLUG (16X12)	2	
35	09246-05006	PLUG (1/8PT, H:8)	1	
36	11380-17K00	COVER, BREATHER	1	
37	01547-0630A	BOLT	6	
38	09103-12078	BOLT (12X275)	2	
39	09159-12081	NUT	2	
40	16591-06B01	UNION, OIL FILTER STAND	1	
41	16510-07J00	FILTER ASSY, ENGINE OIL	1	

FIG.112A

FIG.112A (1-B-7) CRANKCASE COVER

REF NO.	PART NO.	DESCRIPTION	Q'TY	REMARKS
1	11341-17K00	COVER, CLUTCH	1	
2	11482-17K00	GASKET, CLUTCH COVER	1	
3	09103-06213	BOLT (6X30)	13	
4	09103-06215	BOLT (6X40)	1	
5	09168-06023	GASKET (5.8X13X1.2)	1	
6	04211-09189	PIN	2	
7	11971-25D00	PLUG, ENGINE OIL FILLER	1	
8	09280-17003	O RING (D:3.1,ID:16.8)	1	
9	09259-36021	PLUG	1	
10	09280-33004	O RING (D:3.1,ID:32.7)	1	
11	11342-41G10	CAP, CLUTCH RELEASE ADJUST	1	
12	31156-17E00	O RING	1	
13	11351-17K01	COVER, MAGNETO	1	
14	11483-17K00	GASKET, MAGNETO COVER	1	
15	09103-06213	BOLT (6X30)	7	
16	09103-06224	BOLT (6X45)	1	
17	04211-09149	PIN	2	
18	11360-17K00	COVER, ENGINE SPROCKET	1	
19	01550-0625B	BOLT	2	
20	11371-17K00	HOLDER, CLUTCH RELEASE	1	
21	01547-0645A	BOLT	1	
22	01547-0690A	BOLT	2	
23	04211-09149	PIN	2	

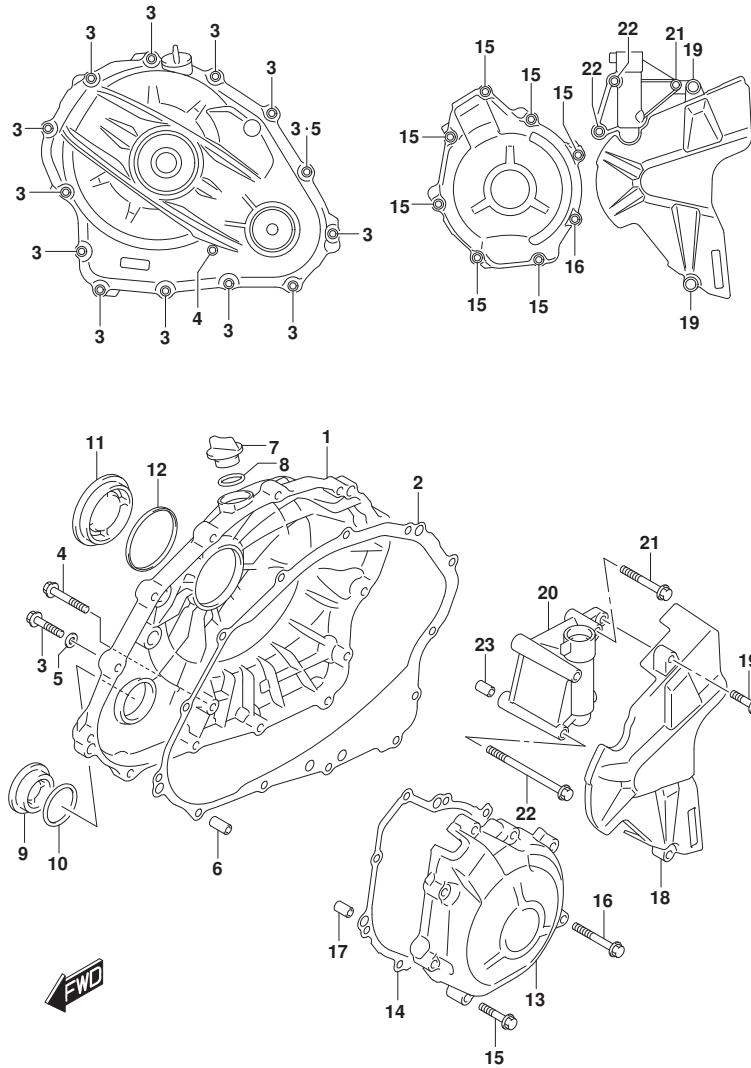


FIG.116A

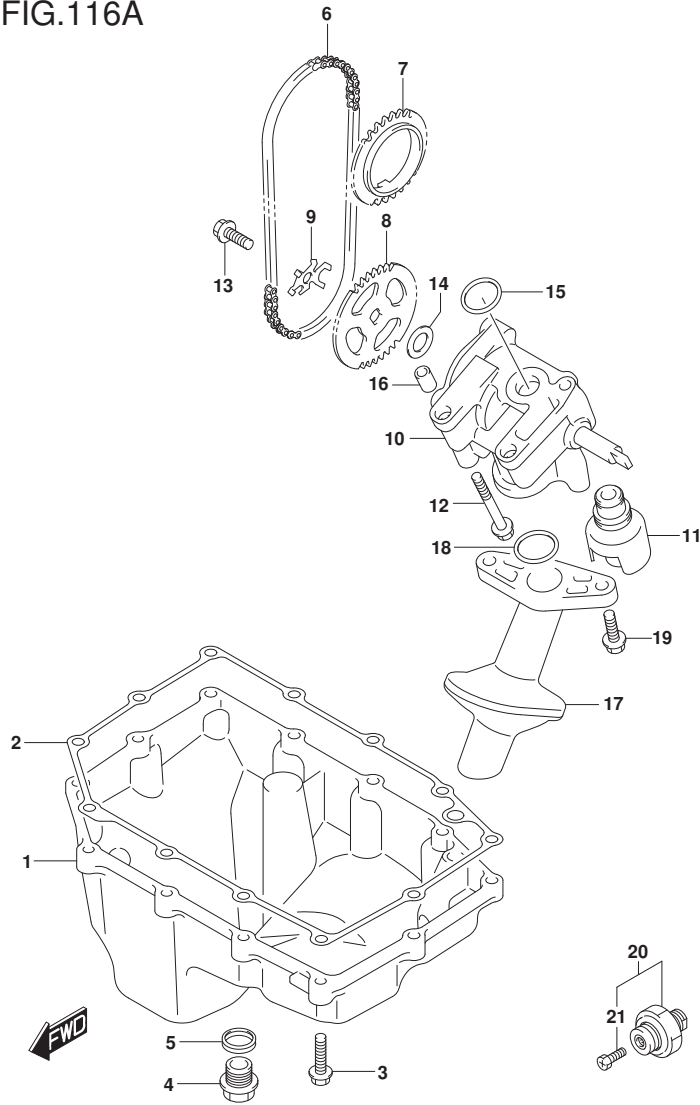


FIG.116A (1-B-8) OIL PAN/OIL PUMP

REF NO.	PART NO.	DESCRIPTION	Q'TY	REMARKS
1	11511-17K00	PAN, OIL	1	
2	11489-17K00	GASKET, OIL PAN	1	
3	01547-0625A	BOLT	12	
4	11512-17K00	PLUG	1	OIL DRAIN
5	09168-14002	GASKET (13.8X18.8X4.8)	1	
6	16310-47H00	CHAIN, OIL PUMP DRIVE	1	
7	16321-01H00	SPROCKET, DRIVE (NT:27)	1	
8	16331-17K00	SPROCKET, DRIVEN (NT:30)	1	
9	16332-17K00	RETAINER, OIL PUMP SPRKT BOLT	1	
10	16400-17K00	PUMP ASSY, OIL	1	
11	16440-17K00	VALVE ASSY, OIL RELIEF	1	
12	09103-06206	BOLT (6X50)	3	
13	09103-06523	BOLT	1	
14	09181-12158	SHIM (12X20X0.5)	1	
15	09280-15007	O RING (D:2.4,ID:15.8)	1	
16	04211-09149	PIN	2	
17	16520-17K00	STRAINER, ENGINE OIL	1	
18	09280-19008	O RING (D:2.62,ID:20.3)	1	
19	01550-0620A	BOLT	2	
20	37820-33D10	SWITCH ASSY, OIL PRESSURE	1	
21	37822-33D00	.BOLT	1	

FIG.120A

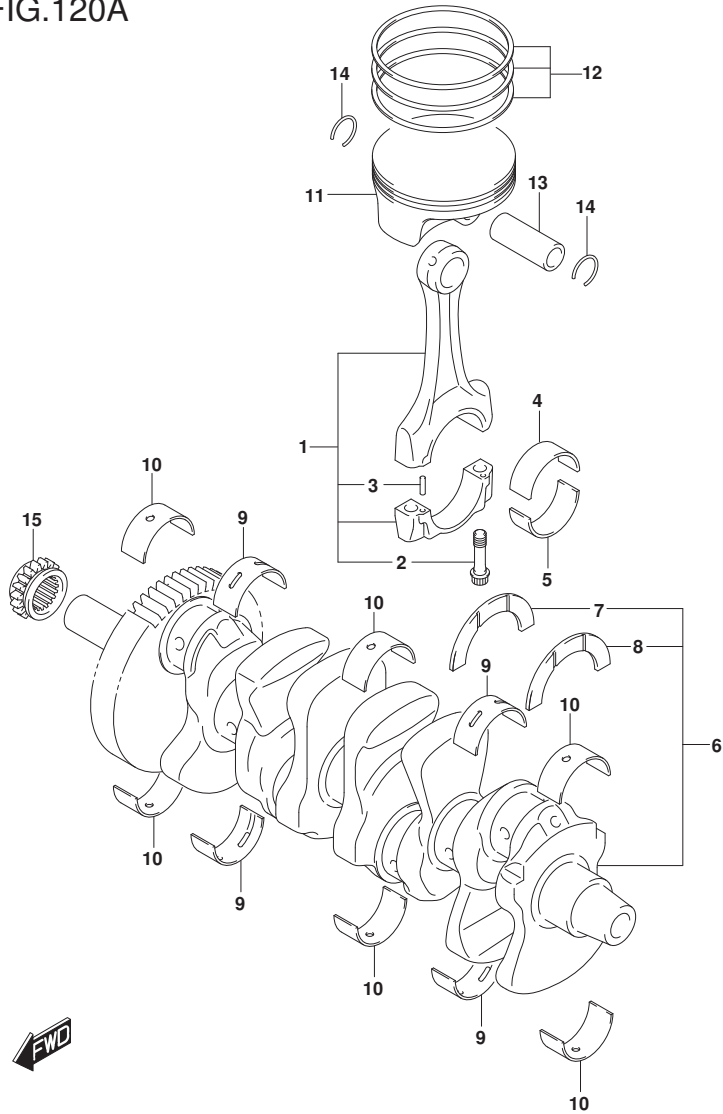


FIG.120A (1-B-9) CRANKSHAFT

REF NO.	PART NO.	DESCRIPTION	Q'TY	REMARKS
1	12160-17K00	ROD ASSY, CONNECTING	4	
2	12163-17K00	.BOLT	8	
3	04221-03059	.PIN	8	
4-1	12164-17K00-0A0	BEARING, CRANK PIN UPPER (GREEN)	4	
4-2	12164-17K00-0B0	BEARING, CRANK PIN UPPER (BLACK)	4	
4-3	12164-17K00-0C0	BEARING, CRANK PIN UPPER (BROWN)	4	
4-4	12164-17K00-0D0	BEARING, CRANK PIN UPPER (YELLOW)	4	
5-1	12164-17K10-0A0	BEARING, CRANK PIN LOWER (GREEN)	4	
5-2	12164-17K10-0B0	BEARING, CRANK PIN LOWER (BLACK)	4	
5-3	12164-17K10-0C0	BEARING, CRANK PIN LOWER (BROWN)	4	
5-4	12164-17K10-0D0	BEARING, CRANK PIN LOWER (YELLOW)	4	
6	12000-17860	CRANKSHAFT SET	1	
7	12228-48B00-0E0	.BEARING, THRUST RH (GREEN)	1	
8-1	12228-48B00-0B0	.BEARING, THRUST LH (BROWN)	1	
8-2	12228-48B00-0C0	.BEARING, THRUST LH (RED)	1	
8-3	12228-48B00-0D0	.BEARING, THRUST LH (YELLOW)	1	
8-4	12228-48B00-0E0	.BEARING, THRUST LH (GREEN)	1	
8-5	12228-48B00-0F0	.BEARING, THRUST LH (BLUE)	1	
8-6	12228-48B00-0G0	.BEARING, THRUST LH (ORANGE)	1	
8-7	12228-48B00-0H0	.BEARING, THRUST LH (BLACK)	1	
9-1	12229-17K00-0A0	BEARING, CRANKSHAFT (GREEN)	4	
9-2	12229-17K00-0B0	BEARING, CRANKSHAFT (BLACK)	4	
9-3	12229-17K00-0C0	BEARING, CRANKSHAFT (BROWN)	4	
9-4	12229-17K00-0D0	BEARING, CRANKSHAFT (YELLOW)	4	
9-5	12229-17K00-0E0	BEARING, CRANKSHAFT (BLUE)	4	

FIG.120A

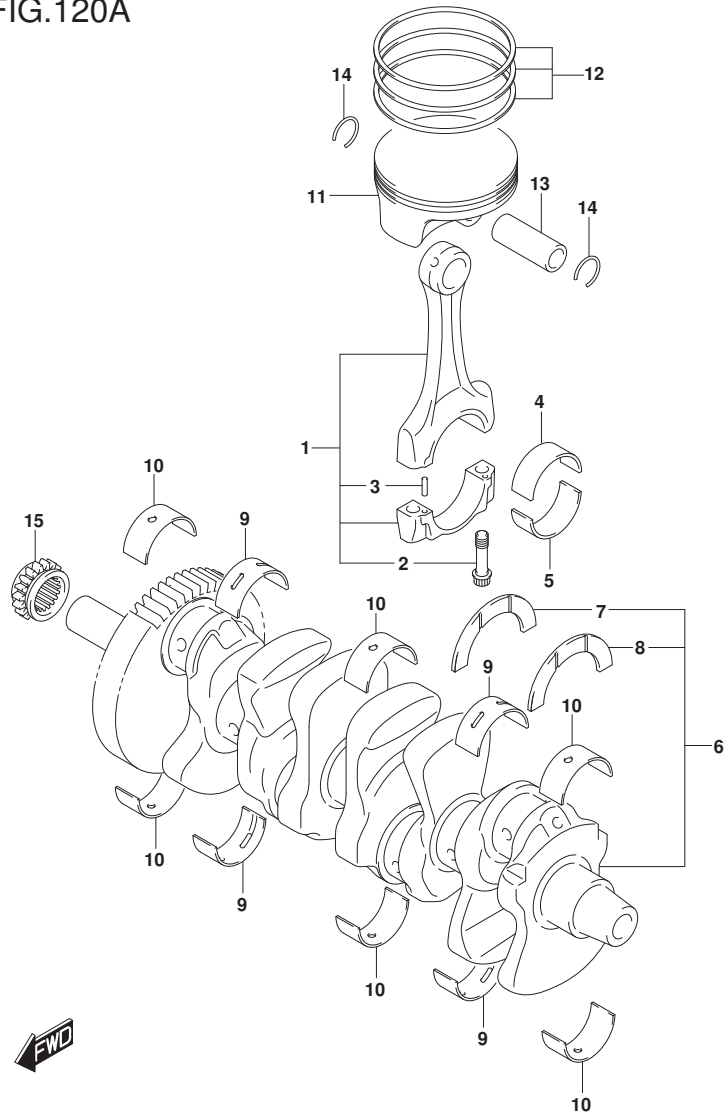


FIG.120A (1-B-10) CRANKSHAFT

REF NO.	PART NO.	DESCRIPTION	Q'TY	REMARKS
10-1	12229-17K10-0A0	BEARING, CRANKSHAFT (GREEN)	6	
10-2	12229-17K10-0B0	BEARING, CRANKSHAFT (BLACK)	6	
10-3	12229-17K10-0C0	BEARING, CRANKSHAFT (BROWN)	6	
10-4	12229-17K10-0D0	BEARING, CRANKSHAFT (YELLOW)	6	
10-5	12229-17K10-0E0	BEARING, CRANKSHAFT (BLUE)	6	
11	12111-17K00-0F0	PISTON	4	
12	12140-17K00	RING SET, PISTON	4	
13	12151-17K00	PIN, PISTON	4	
14	12152-17K00	CIRCLIP	8	
15	12731-47H00	SPROCKET, CAM CHAIN (NT:17)	1	

FIG.122A

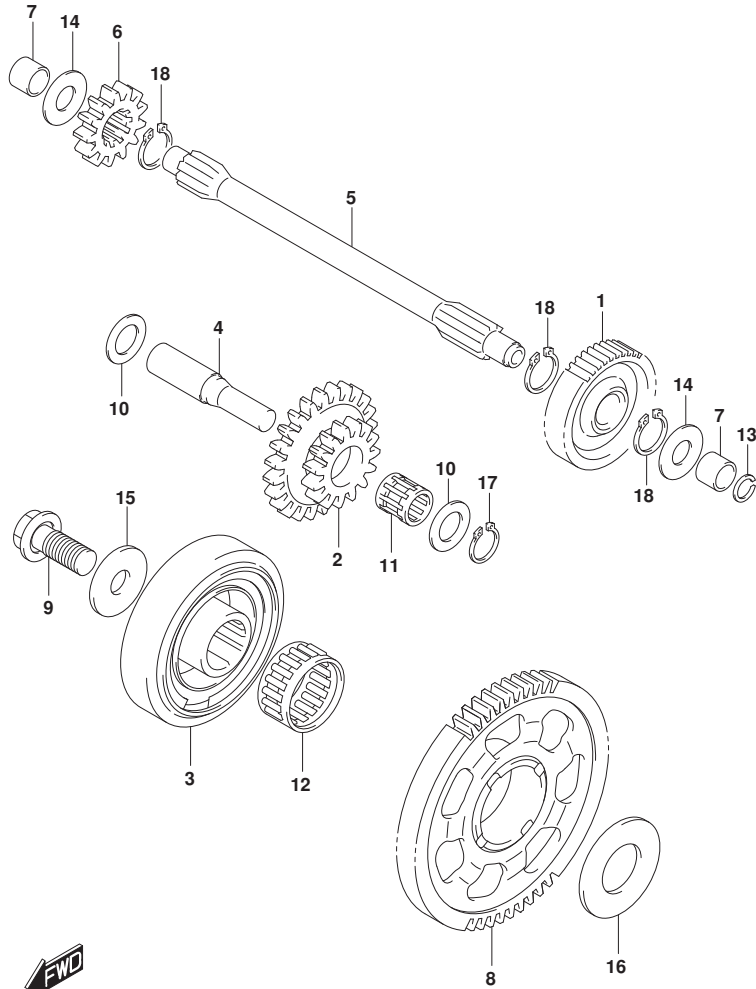


FIG.122A (1-B-11) STARTER CLUTCH

REF NO.	PART NO.	DESCRIPTION	Q'TY	REMARKS
1	12611-17K00	GEAR, STARTER IDLE NO.1 (NT:45)	1	
2	12612-47H00	GEAR, STARTER IDLE NO.2 (NT:15/24)	1	
3	12614-17K00	CLUTCH , STARTER ONE WAY	1	
4	12615-17K00	PIN, STARTER IDLE GEAR NO.2	1	
5	12616-17K00	SHAFT, STARTER IDLE GEAR NO.1	1	
6	12617-47H00	GEAR, LIMITER DRIVEN (NT:13)	1	
7	12618-31G00	BUSH	2	
8	12622-17K00	GEAR, STATER CLUTCH (NT:49)	1	
9	09103-10189	BOLT (10X23)	1	
10	09181-12167	SHIM (12X20X1)	2	
11	09263-12023	BEARING (12X16X16)	1	
12	09263-26035	BEARING (26X31X16)	1	
13	09380-09003	CIRCLIP	1	
14	08211-10221	WASHER	2	
15	08211-10285	WASHER	1	
16	08211-20403	WASHER	1	
17	08331-3112A	CIRCLIP	1	
18	08331-3115A	CIRCLIP	3	

FIG.126A

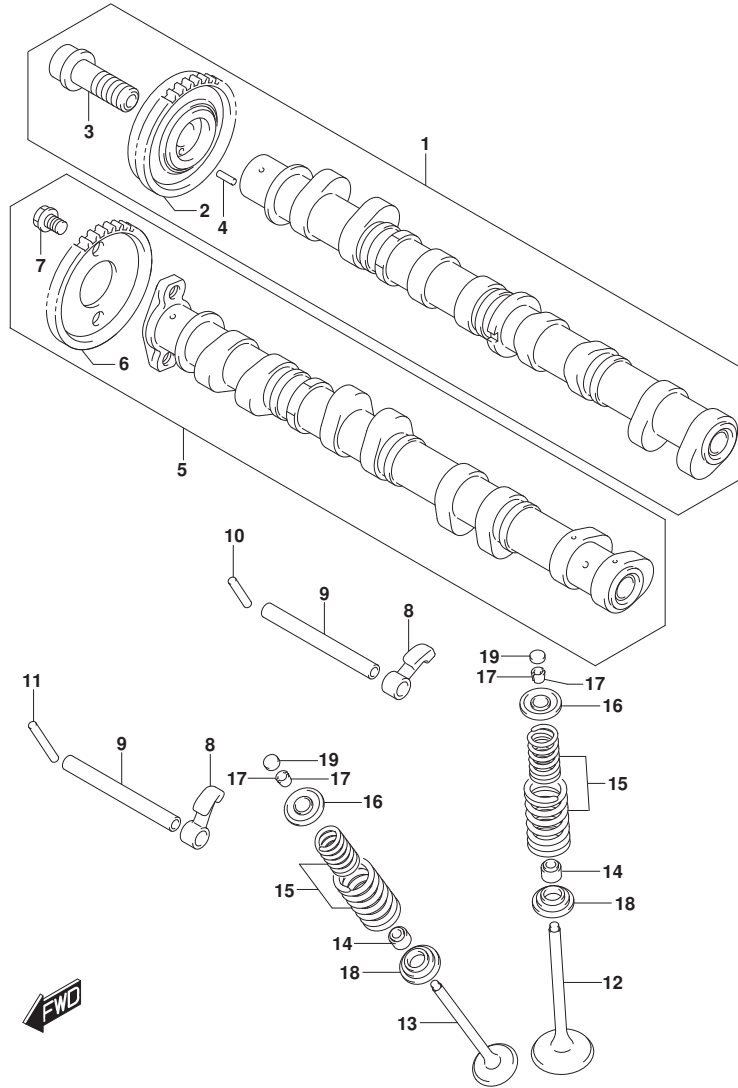


FIG.126A (1-B-12) CAMSHAFT/VALVE

REF NO.	PART NO.	DESCRIPTION	Q'TY	REMARKS
1	12710-17K00	CAMSHAFT, INTAKE	1	
2	12740-17K00	.SPROCKET, CAMSHAFT INTAKE	1	
3	12746-17K00	.BOLT, SPROCKET INTAKE	1	
4	09261-03020	.PIN (3X8)	1	
5	12720-17K00	CAMSHAFT, EXHAUST	1	
6	12751-17K00	.SPROCKET, CAMSHAFT EXHAUST	1	
7	09103-07003	.BOLT (7X10)	2	
8	12841-17K00	ARM, VALVE ROCKER	16	
9	12861-17K00	SHAFT, VALVE ROCKER ARM	8	
10	09261-04005	ROLLER (4X23.8)	1	
11	12872-17K00	PIN, ROCKER ARM SHAFT EXHAUST	1	
12	12911-17K00	VALVE, INTAKE	8	
13	12912-17K00	VALVE, EXHAUST	8	
14	12919-17K00	SEAL, VALVE STEM OIL	16	
15	12920-17K10	SPRING, VALVE	16	
16	12931-17K01	RETAINER, VALVE SPRING	16	
17	12932-32C00	COTTER, VALVE	32	
18	12933-47H00	SEAT, VALVE SPRING	16	

FIG.126A

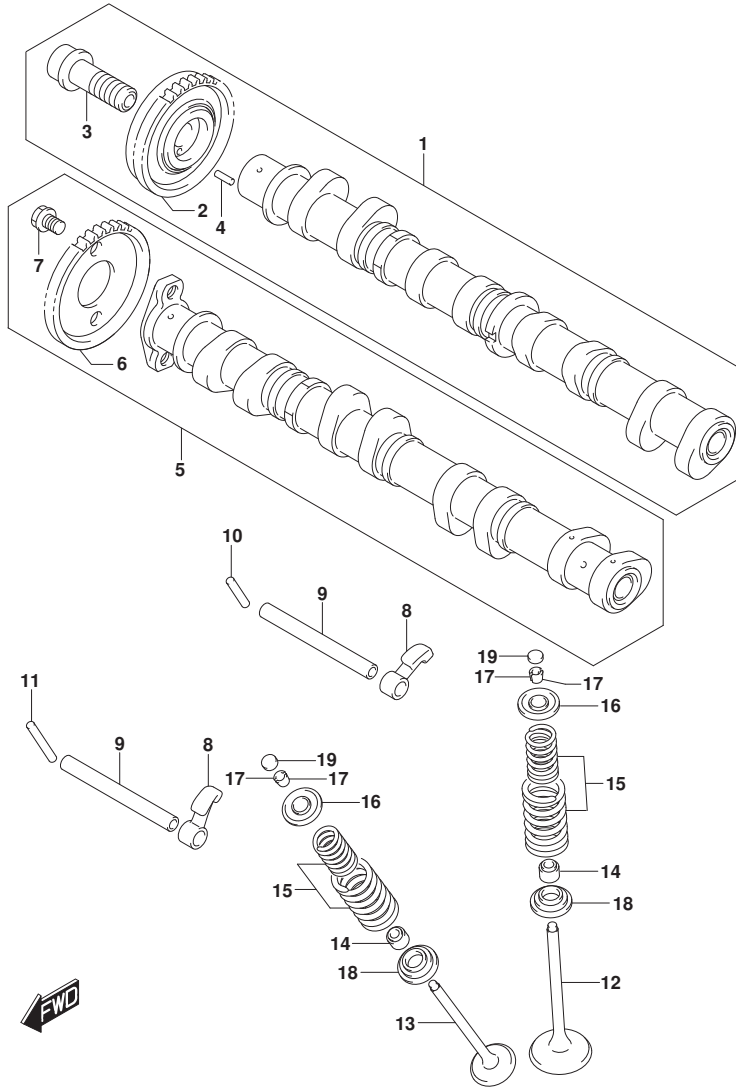


FIG.126A (1-B-13) CAMSHAFT/VALVE

REF NO.	PART NO.	DESCRIPTION	Q'TY	REMARKS
19-1	12892-05C00-170	SHIM, TAPPET (T:1.70)	16	
19-2	12892-05C00-175	SHIM, TAPPET (T:1.75)	16	
19-3	12892-05C00-180	SHIM, TAPPET (T:1.80)	16	
19-4	12892-05C00-185	SHIM, TAPPET (T:1.85)	16	
19-5	12892-05C00-190	SHIM, TAPPET (T:1.90)	16	
19-6	12892-05C00-195	SHIM, TAPPET (T:1.95)	16	
19-7	12892-05C00-200	SHIM, TAPPET (T:2.00)	16	
19-8	12892-05C00-205	SHIM, TAPPET (T:2.05)	16	
19-9	12892-05C00-210	SHIM, TAPPET (T:2.10)	16	
19-10	12892-05C00-215	SHIM, TAPPET (T:2.15)	16	
19-11	12892-05C00-220	SHIM, TAPPET (T:2.20)	16	
19-12	12892-05C00-225	SHIM, TAPPET (T:2.25)	16	
19-13	12892-05C00-230	SHIM, TAPPET (T:2.30)	16	
19-14	12892-05C00-235	SHIM, TAPPET (T:2.35)	16	
19-15	12892-05C00-240	SHIM, TAPPET (T:2.40)	16	
19-16	12892-05C00-245	SHIM, TAPPET (T:2.45)	16	
19-17	12892-05C00-250	SHIM, TAPPET (T:2.50)	16	
19-18	12892-05C00-255	SHIM, TAPPET (T:2.55)	16	
19-19	12892-05C00-260	SHIM, TAPPET (T:2.60)	16	
19-20	12892-05C00-265	SHIM, TAPPET (T:2.65)	16	
19-21	12892-05C00-270	SHIM, TAPPET (T:2.70)	16	
20	12800-05830	SHIM SET, TAPPET T:1.20, 1.25...2.95, 3.00 (5PCS.EACH) & CASE	1	OPT NOT ILLUSTRATED
21	99000-69491	.CASE, TAPPET SHIM	1	OPT NOT ILLUSTRATED

FIG.127A

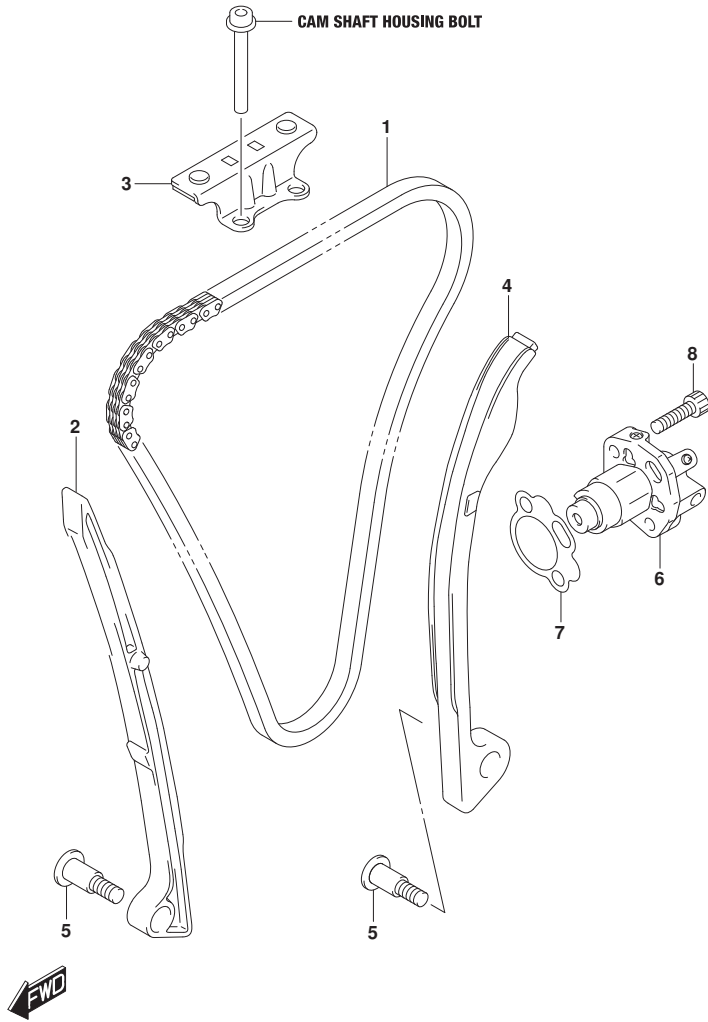


FIG.127A (1-B-14) CAM CHAIN

REF NO.	PART NO.	DESCRIPTION	Q'TY	REMARKS
1	12760-40F01	CHAIN, CAM SHAFT DRIVE	1	
2	12771-17K00	GUIDE, CAM CHAIN NO.1	1	
3	12782-35F11	GUIDE, CAM CHAIN NO.2	1	
4	12811-17K00	TENSIONER, CAM CHAIN	1	
5	12812-31G00	BOLT	2	
6	12830-15H10	ADJUSTER ASSY, TENSIONER	1	
7	12837-02H00	GASKET, ADJUSTER	1	
8	07130-0625A	BOLT	2	

FIG.140A

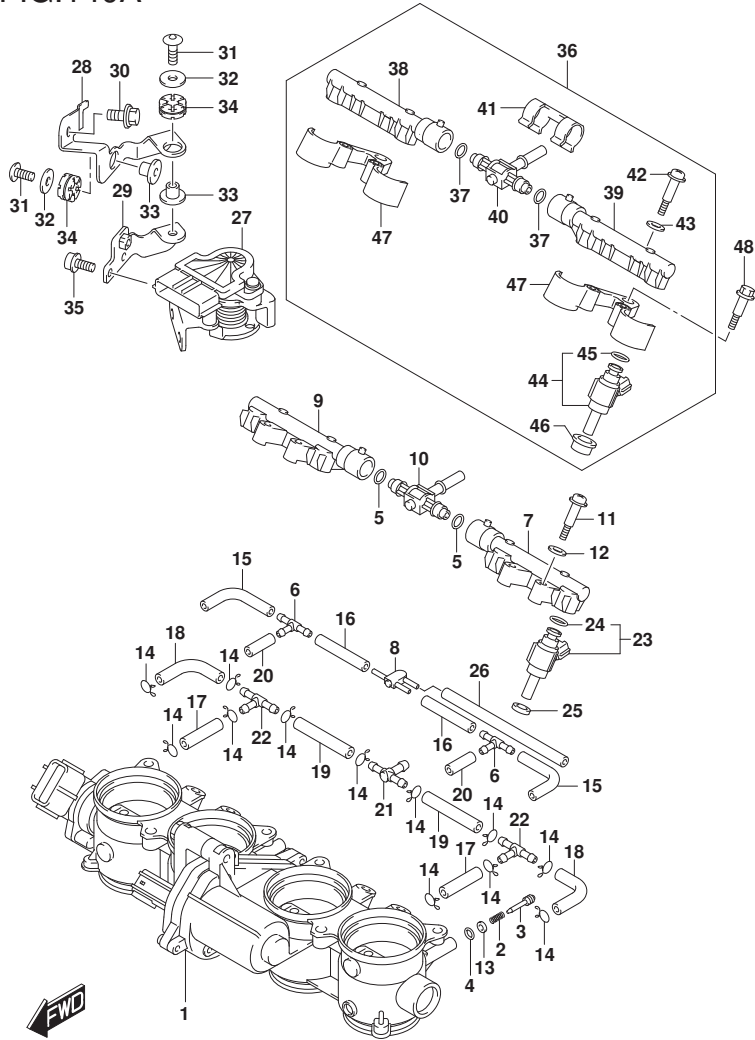


FIG.140A (1-B-15) THROTTLE BODY

REF NO.	PART NO.	DESCRIPTION	Q'TY	REMARKS
1	13405-17K10	BODY ASSY, THROTTLE	1	
2	13268-48700	SPRING, THROTTLE SCREW	4	
3	13269-33E00	SCREW	4	
4	13295-29900	O RING	4	
5	13374-32G00	O RING	2	
6	13685-02FA0	3WAY, VACUUM HOSE	2	
7	13471-17K00	DELIVERY PIPE	1	
8	13471-18H00	JOINT	1	
9	13472-17K00	DELIVERY PIPE	1	
10	13473-17K00	NIPPLE ASSY	1	
11	13601-29G00	SCREW	4	
12	13602-29G00	PACKING	4	
13	13606-47A00	WASHER	4	
14	13671-29G00	CLIP	12	
15	13681-39F00-060	HOSE (3.2X7.4X60)	2	
16	13683-10F60	HOSE (L:425)	2	L:425->50
17	13683-04K10	HOSE (8.5X4.5X30)	2	
18	13683-17K00	HOSE	2	
19	13683-17K10	HOSE	2	
20	13683-10F60	HOSE (L:425)	2	L:425->25
21	13685-29G00	NIPPLE	1	
22	13685-38420	NIPPLE	2	
23	15710-04K00	INJECTOR ASSY	4	
24	15717-58B00	O RING	4	
25	15722-14J00	SEAL	4	
26	09355-30705-600	HOSE (3X7X600)	1	L:600->135
27	13500-17K00	BODY ASSY, ACCELERATOR	1	
28	13571-17K00	BRACKET, ACCEL SENSOR NO.1	1	
29	13572-17K00	BRACKET, ACCEL SENSOR NO.2	1	
30	09116-06197	BOLT (6X12)	1	
31	09139-06208	BOLT	2	
32	09160-06088	WASHER (6.5X20X1.6)	2	
33	09180-06319	SPACER (6.5X10X11.6)	2	

FIG.140A

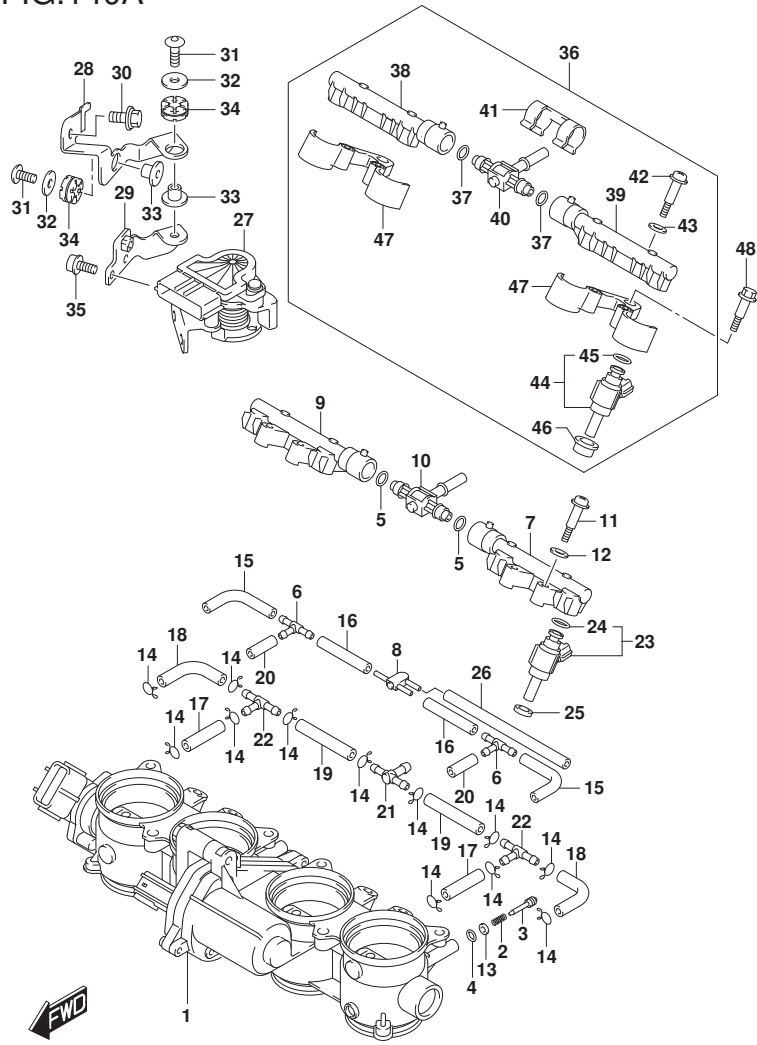


FIG.140A (1-C-2) THROTTLE BODY

REF NO.	PART NO.	DESCRIPTION	Q'TY	REMARKS
34	09320-10055	CUSHION	2	
35	07120-0612B	BOLT	2	
36	15900-17K00	BODY ASSY, 2ND INJECTOR	1	
37	13374-32G00	.O RING	2	
38	13471-17K00	.DELIVERY PIPE	1	
39	13472-17K00	.DELIVERY PIPE	1	
40	13473-17K00	.NIPPLE ASSY	1	
41	13474-17K00	.CLIP	1	
42	13601-29G00	.SCREW	4	
43	13602-29G00	.PACKING	4	
44	15710-17K10	.INJECTOR ASSY	4	
45	15717-58B00	.O RING	4	
46	15722-17K00	.INSULATOR	4	
47	15910-17K00	.BRACKET, 2ND INJECTOR	2	
48	09111-06250	BOLT	2	

FIG.155A

FIG.155A (1-C-3) AIR CLEANER

REF NO.	PART NO.	DESCRIPTION	Q'TY	REMARKS
1	13740-17K00	CAP, AIR CLEANER	1	
2	13746-35F00	.GASKET, CAP	1	
3	15911-17K00	INSULATOR, INJECTOR	2	
4	13780-17K00	FILTER ASSY	1	
5	13720-17K00	CASE, AIR CLEANER	1	
6	13756-17K00	.GASKET CASE A	1	
7	13757-17K00	.GASKET CASE B	4	
8	13788-17K00	.FILTER, BREATHER	1	
9	13853-17K00	.TUBE, BREATHER	1	
10	13878-09F00	.PLUG, DRAIN	1	
11	09401-14101	.CLIP	2	
12	09401-14101	.CLIP	1	
13	13880-17K00	FUNNEL, OUTLET RH	1	
14	13880-17K10	FUNNEL, OUTLET LH	1	
15	13831-47H00	BOLT	6	
16	09111-06089	BOLT (6X16)	1	
17	13820-17K00	PLATE, CLEANER DUCT RH	1	
18	13736-17K00	.CUSHION, CLEANER DUCT	1	
19	13820-17K10	PLATE, CLEANER DUCT LH	1	
20	13736-17K00	.CUSHION, CLEANER DUCT	1	
21	03541-0412A	SCREW	2	
22	15630-29G40	SENSOR, BOOST	2	
23	15625-29G40	.COVER	2	
24	15632-17K00	HOLDER, BOOST SENSOR	1	
25	13650-14G10	SENSOR, AIR TEMPERATURE	1	
26	13655-14G10	.O RING	1	
27	03511-0516A	SCREW	2	
28	03541-0525A	SCREW	10	

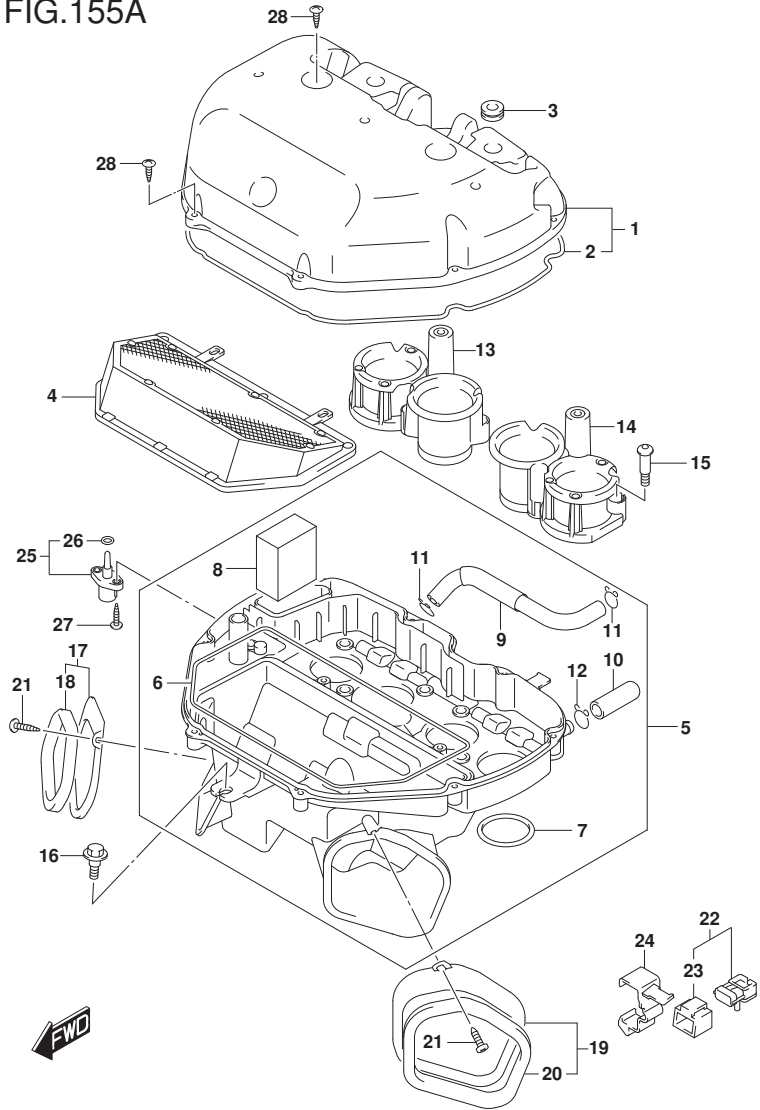


FIG.163A

FIG.163A (1-C-4) MUFFLER

REF NO.	PART NO.	DESCRIPTION	Q'TY	REMARKS
1	14100-17K01	EXHAUST	1	
2	14181-04K00	GASKET, EXHAUST PIPE	4	
3	14280-17K00	COVER, EXHAUST VALVE	1	
4	09118-08152-A05	BOLT (8X45)	1	
5	09119-06105	BOLT	1	
6	09159-06100	NUT	3	
7	09180-08152	SPACER (8.6X12X24.2)	1	
8	09320-12077	CUSHION	1	
9	07130-0825A	BOLT	8	
10	14310-17KA0	BODY, MUFFLER	1	
11	14459-17K00	CLAMP	1	
12	14771-24F01	CONNECTOR	1	
13	09106-08162	BOLT (8X40)	1	
14	09106-08164	BOLT (8X45)	1	
15	09160-08142	WASHER (8.5X28X1.5)	1	
16	09180-08152	SPACER (8.6X12X24.2)	1	
17	09320-12048	CUSHION	1	
18	08361-2508A	NUT	1	
19	11269-18G01	PULLEY, CONTROLLER	1	
20	11276-17K00	CABLE, EXH VALVE NO.1	1	
21	11277-17K00	CABLE, EXH VALVE NO.2	1	
22	11278-17K00	CABLE, EXH VALVE NO.3	1	
23	14250-21H00	BRACKET, EXHAUST VALVE CABLE	1	
24	14252-14J00	GUIDE, EXHAUST VALVE CABLE	1	
25	09403-06414	CLAMP	1	
26	09404-06429	CLAMP (L:45)	1	
27	01547-0516A	BOLT	1	
28	01547-0612A	BOLT	1	
29	08316-1006A	NUT	1	
30	14780-17K00	COVER, MUFFLER	1	
31	14795-10FA0	GROMMET	1	
32	09139-06124	SCREW (6X12)	1	
33	09320-08066	CUSHION	1	
34	18213-17K00	SENSOR, OXYGEN	1	

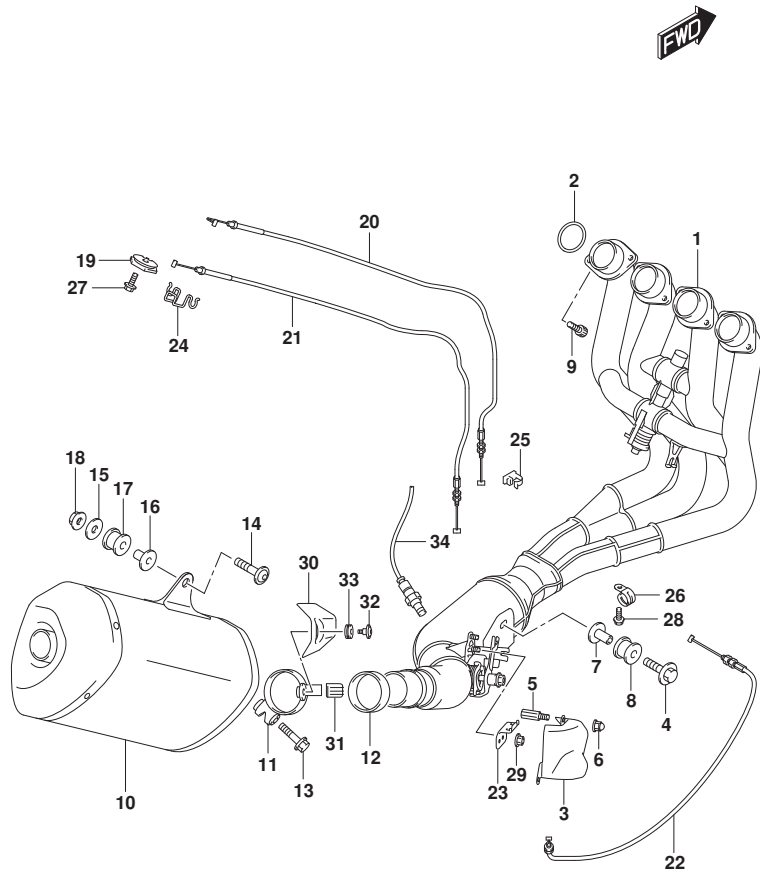


FIG.172A

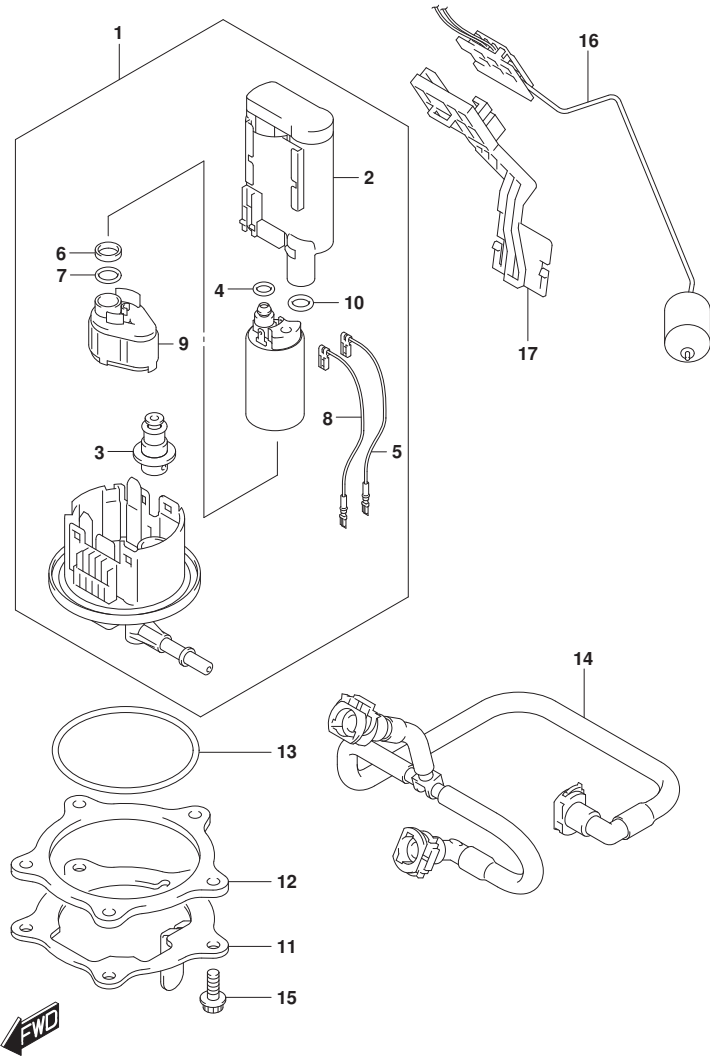


FIG.172A (1-C-5) FUEL PUMP

REF NO.	PART NO.	DESCRIPTION	Q'TY	REMARKS
1	15100-17K50	PUMP ASSY, FUEL	1	
2	15310-17K00	.FILTER	1	
3	15610-17K50	.REGULATOR	1	
4	15113-05H00	.O RING	1	
5	15114-17K00	.WIRE, EARTH	1	BLACK
6	15116-17K00	.COLLAR	1	
7	15113-17K00	.O RING	1	
8	15115-17K00	.WIRE, LEAD	1	BLUE
9	15420-17K00	.STRAINER	1	
10	15113-35F00	.O RING	1	
11	15120-17K00	PLATE, FUEL PUMP OUTER	1	
12	15122-17K00	PLATE, FUEL PUMP INNER	1	
13	15201-17K01	O RING, FUEL PUMP	1	
14	15810-17K00	HOSE, FUEL	1	
15	07120-0616A	BOLT	5	
16	34810-17K10	GAUGE ASSY, FUEL LEVEL SENDER	1	
17	34815-17K10	ATTACHMENT, FUEL LEVEL GAUGE	1	

FIG.178A

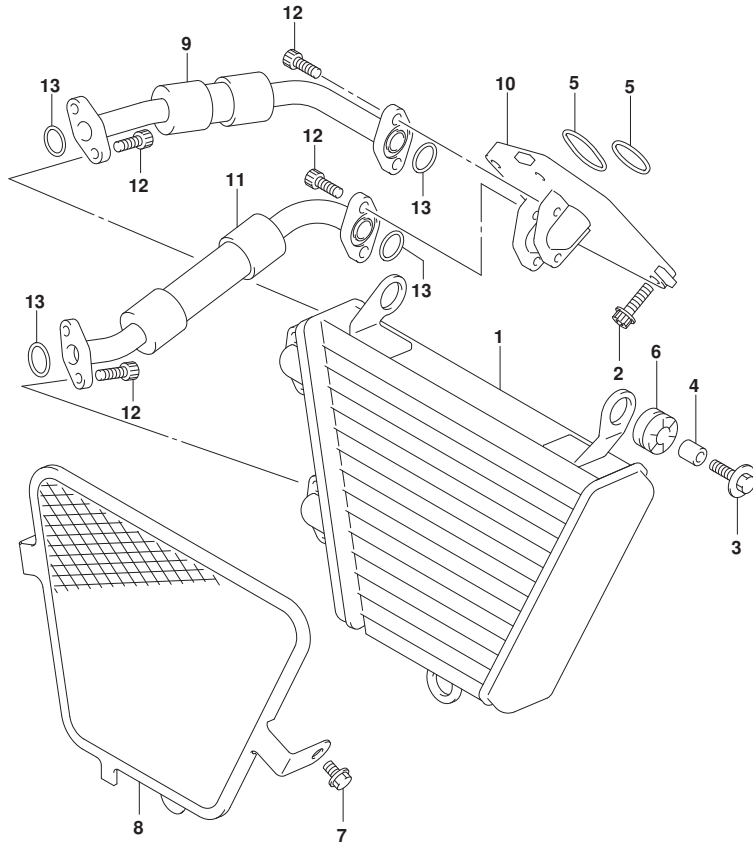


FIG.178A (1-C-6) OIL COOLER

REF NO.	PART NO.	DESCRIPTION	Q'TY	REMARKS
1	16600-47H20	COOLER ASSY, OIL	1	
2	09116-06514	BOLT	4	
3	09118-06122	BOLT (6X25)	3	
4	09180-06290	SPACER (6.5X10X12)	3	
5	09280-33006	O RING	2	
6	09320-10051	CUSHION	3	
7	01550-0610A	BOLT	2	
8	16650-47H20	GUARD, OIL COOLER	1	
9	16460-17K00	HOSE, OIL COOLER INLET	1	
10	16469-17K00	PLATE, OIL HOSE	1	
11	16470-17K00	HOSE, OIL COOLER OUTLET	1	
12	09106-06073	BOLT (6X16)	8	
13	09280-15015	O RING (D:2.4,ID:16)	4	

FIG.180A

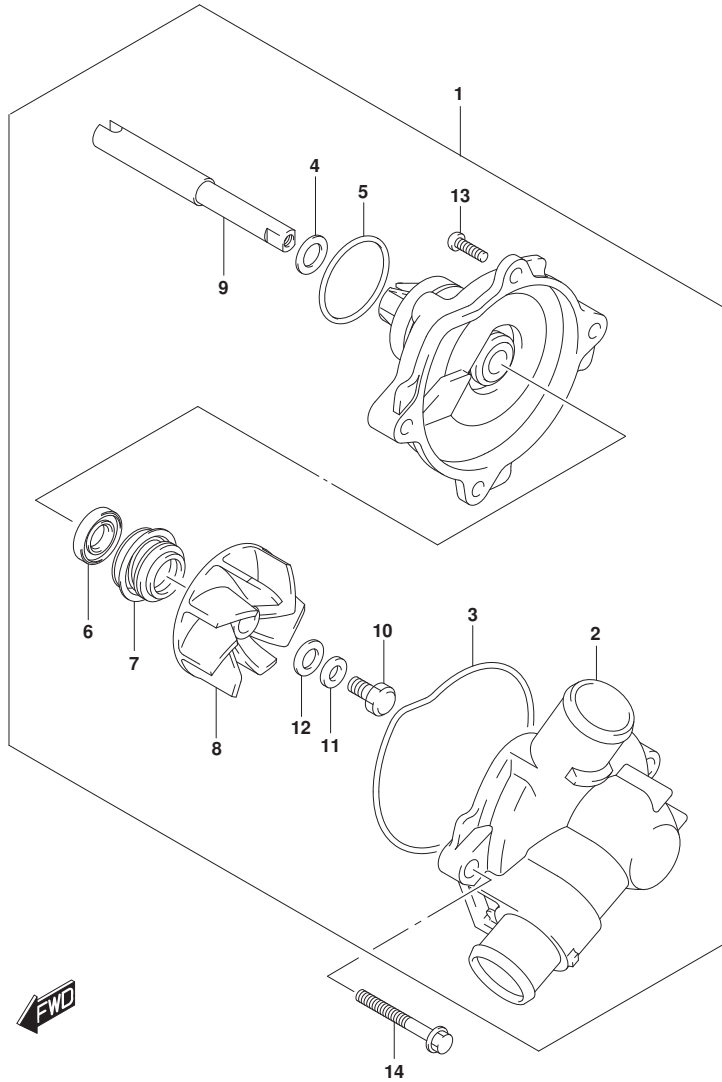


FIG.180A (1-C-7) WATER PUMP

REF NO.	PART NO.	DESCRIPTION	QTY	REMARKS
1	17400-17K00	PUMP ASSY, WATER	1	
2	17410-17K00	.CASE	1	
3	17418-33400	.O RING	1	
4	17432-07G00	.WASHER	1	
5	17435-33400	.O RING	1	
6	17461-01H00	.SEAL, OIL	1	
7	17470-02F10	.SEAL, MECHANICAL	1	
8	17491-17K00	.IMPELLER	1	
9	17511-47H00	.SHAFT	1	
10	09100-06099	.BOLT (6X13)	1	
11	09164-06006	.WASHER	1	
12	09168-06025	.GASKET (6X15X2.2)	1	
13	02112-0616A	.SCREW	2	
14	01547-0635A	BOLT	2	

FIG.185A

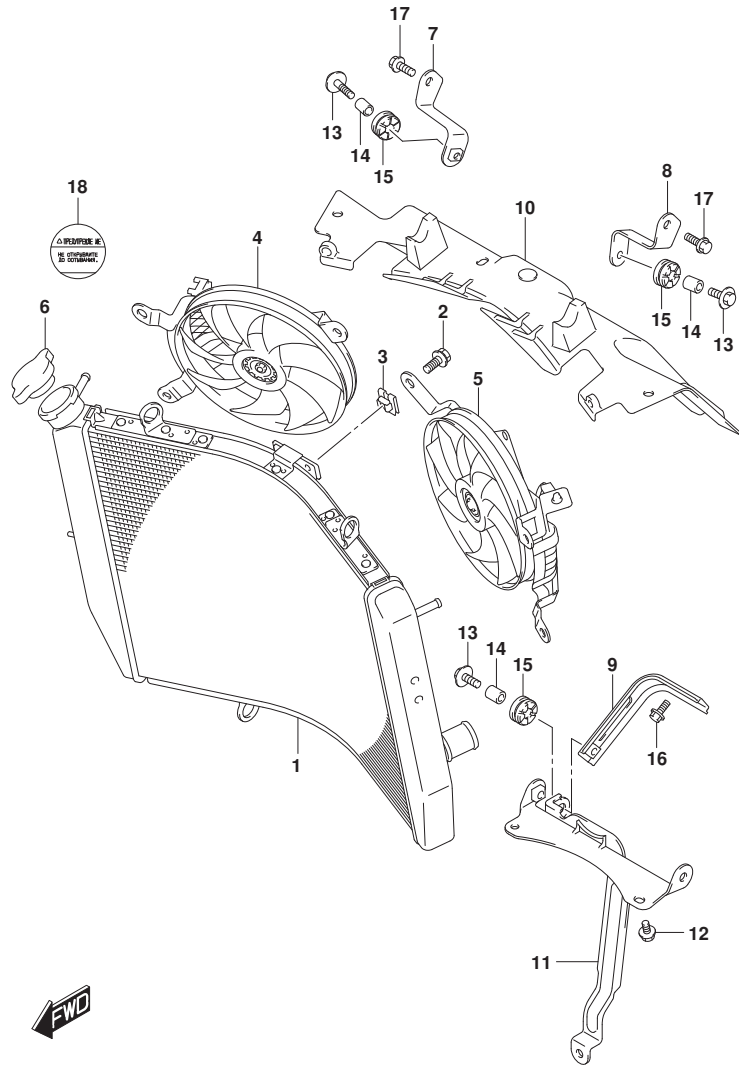


FIG.185A (1-C-8) RADIATOR

REF NO.	PART NO.	DESCRIPTION	Q'TY	REMARKS
1	17710-17K00	RADIATOR ASSY, WATER	1	
2	17711-08J00	BOLT	6	
3	17712-40F00	NUT	2	
4	17810-17K00	FAN ASSY, RADIATOR RH	1	
5	17820-17K00	FAN ASSY, RADIATOR LH	1	
6	17730-08J00	CAP	1	
7	17741-17K00	BRACKET, RADIATOR RH	1	
8	17742-17K00	BRACKET, RADIATOR LH	1	
9	17750-17K00	BRACKET, RADIATOR LOWER RH	1	
10	17771-17K00	SHIELD, RADIATOR HEAT	1	
11	17790-17K00	BRACKET, RADIATOR SUPPORT	1	
12	09103-06307	BOLT (6X10)	2	
13	09118-06097	BOLT (6X25)	3	
14	09180-06290	SPACER (6.5X10X12)	3	
15	09320-10051	CUSHION	3	
16	01550-0612A	BOLT	1	
17	01550-0616A	BOLT	2	
18	17995-14JP0	LABEL, RADIATOR CAP	1	FOR RUSSIAN

FIG.187A

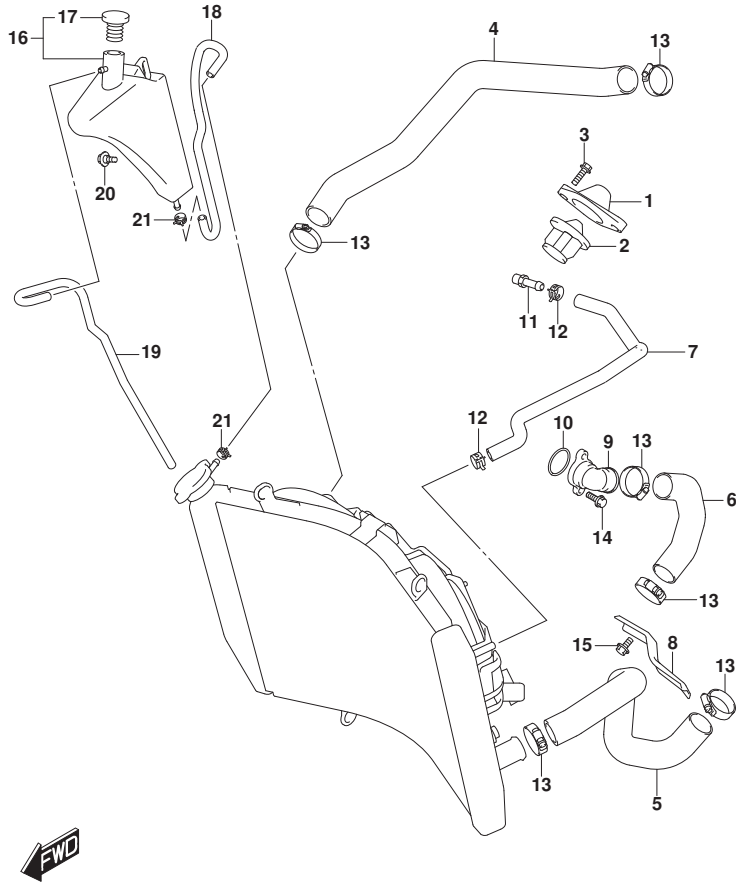


FIG.187A (1-C-9) RADIATOR HOSE

REF NO.	PART NO.	DESCRIPTION	Q'TY	REMARKS
1	17661-37H00	COVER, THERMOSTAT	1	
2	17670-06G60	THERMOSTAT, WATER	1	
3	01547-0620A	BOLT	2	
4	17851-17K00	HOSE, RADIATOR INLET	1	
5	17852-17K00	HOSE, RADIATOR OUTLET	1	
6	17853-17K00	HOSE, CYLINDER INLET	1	
7	17854-17K00	HOSE, WATER BYPASS	1	
8	17859-17K00	BRACKET, HOSE GUIDE	1	
9	17861-17K00	CONNECTOR, CYLINDER INLET	1	
10	09280-28005	O RING (D:2.4, ID:27.7)	1	
11	09362-09011	UNION	1	
12	09401-12414	CLIP	2	
13	09402-35501	CLAMP	6	
14	01547-0616A	BOLT	2	
15	01550-0612A	BOLT	1	
16	17910-17K00	TANK ASSY, RESERVOIR	1	
17	17931-31J00	.CAP	1	
18	17981-17K00	HOSE, RESERVOIR TANK INLET	1	
19	17982-47H10	HOSE, OVER FLOW	1	
20	09111-06085	BOLT (6X12)	1	
21	09401-08411	CLIP	2	

FIG.189A

FIG.189A (1-C-10) 2ND AIR

REF NO.	PART NO.	DESCRIPTION	Q'TY	REMARKS
1	18450-35F60	VALVE ASSY, 2ND AIR REED	2	
2	18461-47H00	HOSE, 2ND AIR VALVE RH	1	
3	18471-47H00	HOSE, 2ND AIR VALVE LH	1	
4	18510-29G70	VALVE ASSY, AIR CUT	1	
5	18531-35F30	COVER, 2ND AIR REED VALVE	2	
6	18711-17K00	HOSE, 2ND AIR CLEANER	1	
7	09401-17201	CLIP	6	
8	01547-0620A	BOLT	4	

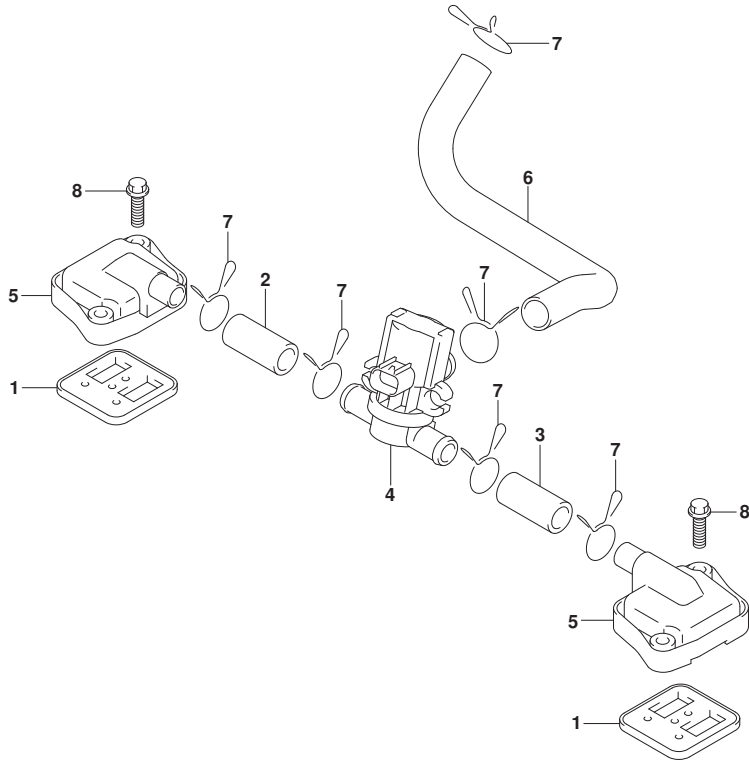


FIG.201A

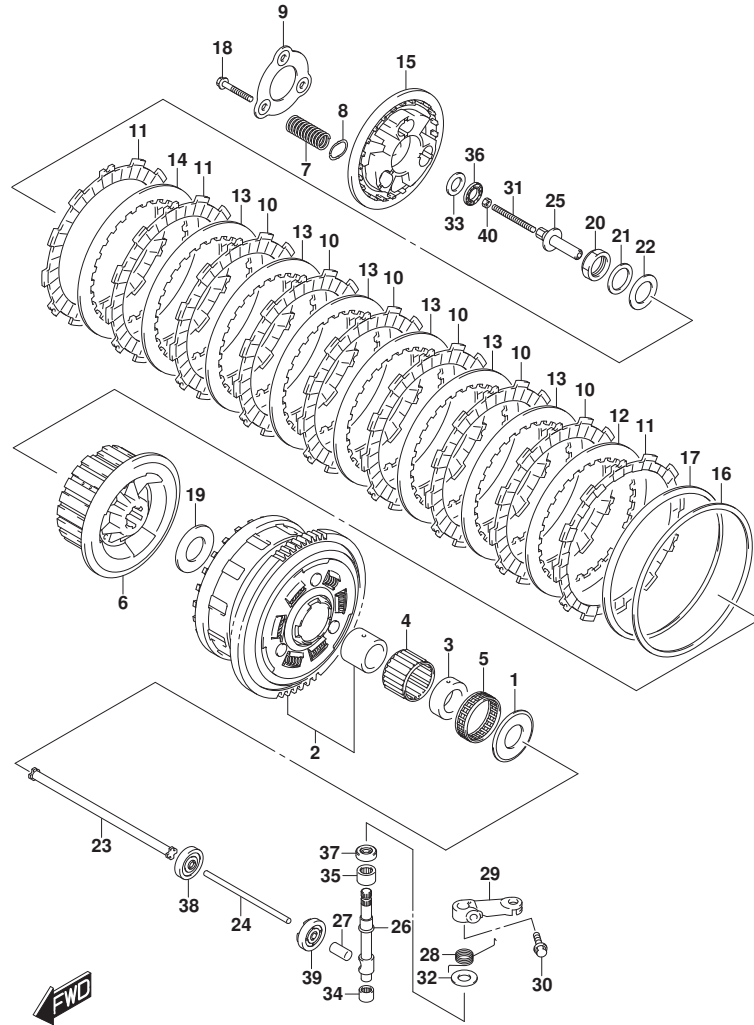


FIG.201A (1-C-11) CLUTCH

REF NO.	PART NO.	DESCRIPTION	Q'TY	REMARKS
1	21222-17K00	WASHER, PRI DRIVEN GEAR THR	1	
2	21200-17880	GEAR ASSY, PRIMARY DRIVEN	1	
3	21253-01H10	SPACER, OIL PUMP DRIVE SPROCKET	1	
4	09263-35015	BEARING (35X40X26.8)	1	
5	09263-35045	BEARING (35X40X12)	1	
6	21411-17K00	HUB, CLUTCH SLEEVE	1	
7	21413-17K00	SPRING, CLUTCH	3	
8	21415-17K00	SEAT, CLUTCH SPRING	3	
9	21414-17K00	PLATE, STOPPER	1	
10	21441-42F20	PLATE, CLUTCH DRIVE NO.1 (T:3.3)	6	
11	21442-42F10	PLATE, CLUTCH DRIVE NO.2 (T:3.3)	3	
12	21451-47H10	PLATE, CLUTCH DRIVEN NO.2 (T:2.3)	1	
13	21451-47H30	PLATE, CLUTCH DRIVEN NO.1 (T:2.3)	6	
14	21451-47H50	PLATE, CLUTCH DRIVEN NO.4 (T:2.6)	1	
15	21462-17K00	DISC, CLUTCH PRESSURE	1	
16	21471-02F20	SEAT, WAVE WASHER	1	
17	21472-02F20	WASHER, CLUTCH PLATE WAVE	1	
18	21482-17K00	BOLT, CLUTCH SPRING	3	
19	09160-25056	WASHER (25X50X2.5)	1	
20	09159-24010	NUT	1	
21	09164-24008	WASHER	1	
22	09181-25223	SHIM (25X38X1)	1	
23	23110-27A00	ROD, CLUTCH	1	
24	23111-26D00	ROD, CLUTCH PUSH, LH	1	
25	23121-41G30	PIECE, CLUTCH PUSH	1	
26	23122-41G00	CAMSHAFT, CLUTCH RELEASE	1	
27	23123-41G00	CAP, CLUTCH PUSH ROD	1	
28	23125-41G00	SPRING, CLUTCH RELEASE RETURN	1	
29	23271-41G50	ARM, CLUTCH RELEASE	1	

FIG.201A

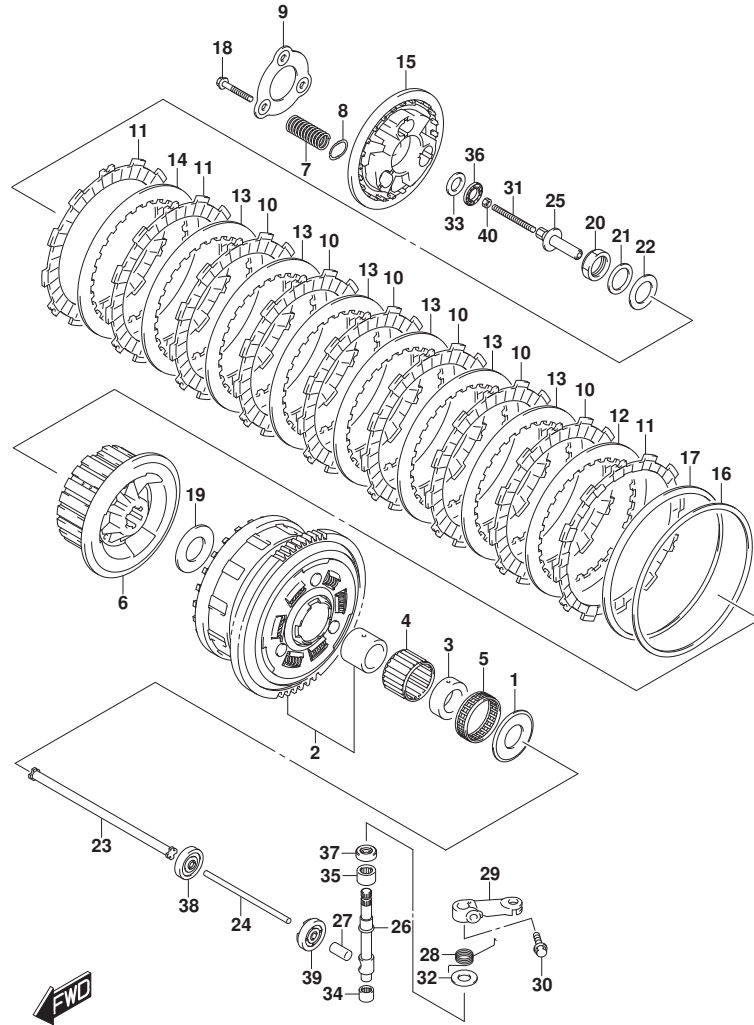


FIG.201A (1-C-12) CLUTCH

REF NO.	PART NO.	DESCRIPTION	Q'TY	REMARKS
30	09103-06223	BOLT (6X20)	1	
31	09134-06015	SCREW (6X73)	1	
32	09160-10020	WASHER (10.5X24X1)	1	
33	09160-15045	WASHER (15.5X28X1)	1	
34	09263-10014	BEARING (10X14X10)	1	
35	09263-12027	BEARING (12X18X12)	1	
36	09263-15003	BEARING (15X28X2)	1	
37	09282-10012	OIL SEAL (10X20X6)	1	
38	09283-06013	OIL SEAL	1	
39	09285-10004	OIL SEAL (10X17X5)	1	
40	08310-0006A	NUT	1	

FIG.206A

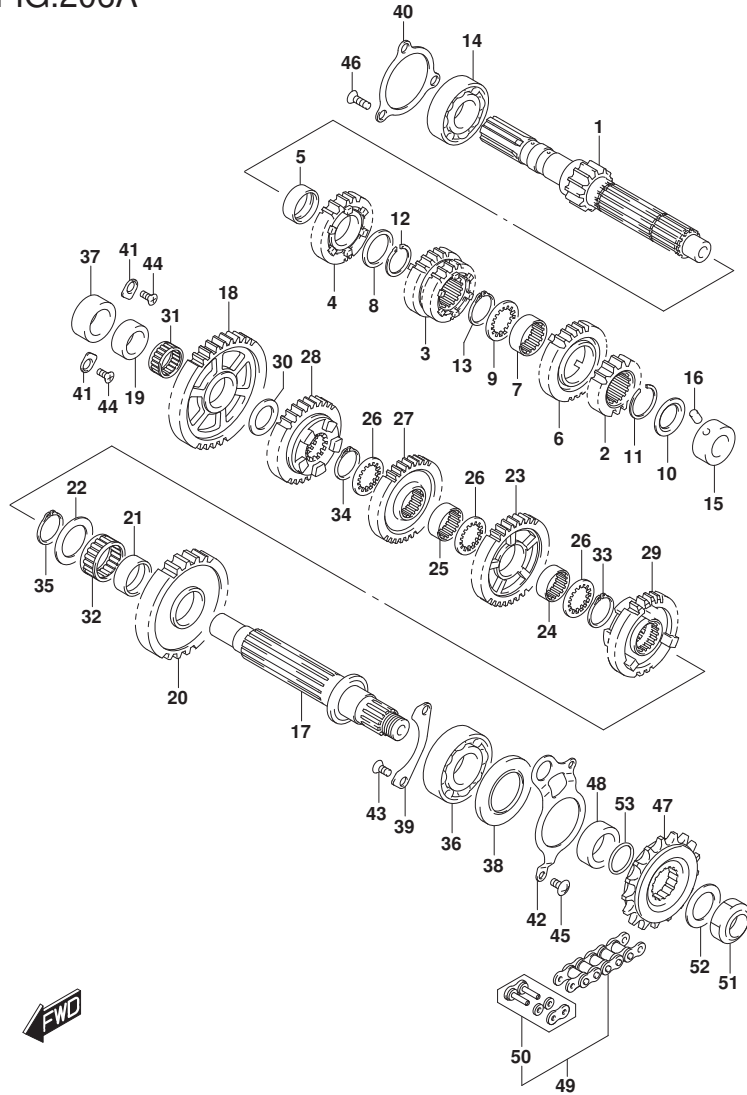


FIG.206A (1-C-13) TRANSMISSION

REF NO.	PART NO.	DESCRIPTION	Q'TY	REMARKS
1	24120-17K00	SHAFT, CNTR (NT:16)	1	
2	24221-40F30	GEAR, 2ND DRIVE (NT:19)	1	
3	24231-47H10	GEAR, 3RD & 4TH DRIVE (NT:21/24)	1	
4	24251-47H20	GEAR, 5TH DRIVE (NT:25)	1	
5	24252-24F20	BUSH, 5TH DRIVE GEAR	1	
6	24261-47H20	GEAR, 6TH DRIVE (NT:26)	1	
7	24262-24F20	BUSH, 6TH DRIVE GEAR	1	
8	09160-27008	WASHER (27X36X1)	1	
9	09167-27001	LOCK WASHER	1	
10	09285-20006	OIL SEAL (20X31.2X2.7)	1	
11	09380-27004	CIRCLIP	1	
12	09380-27006	CIRCLIP	1	
13	09380-27006	CIRCLIP	1	
14	09262-25001	BEARING	1	RH
15	09263-20114	BEARING	1	LH
16	04221-07129	PIN	1	
17	24131-17K00	SHAFT, DRIVE	1	
18	24311-47H00	GEAR, 1ST DRIVEN (NT:41)	1	
19	24315-17K00	SPACER, 1ST DRIVEN GEAR	1	
20	24321-17K00	GEAR, 2ND DRIVEN (NT:39)	1	
21	24322-17K00	BUSH, 2ND DRIVEN GEAR	1	
22	24323-17K00	WASHER, 2ND DRIVEN GEAR	1	
23	24331-47H20	GEAR, 3RD DRIVEN (NT:36)	1	
24	24332-24F20	BUSH, 3RD DRIVEN GEAR	1	
25	24332-24F20	BUSH, 4TH DRIVEN GEAR	1	
26	24333-47H00	WASHER, 3RD & 4TH DRIVEN	3	
27	24341-47H10	GEAR, 4TH DRIVEN (NT:36)	1	
28	24351-47H00	GEAR, 5TH DRIVEN (NT:34)	1	
29	24361-17K00	GEAR, 6TH DRIVEN (NT:33)	1	
30	09181-24005	SHIM (24X34X1)	1	
31	09263-24030	BEARING (24X28X13)	1	
32	09263-35045	BEARING (35X40X12)	1	
33	09380-30009	CIRCLIP	1	

FIG.206A

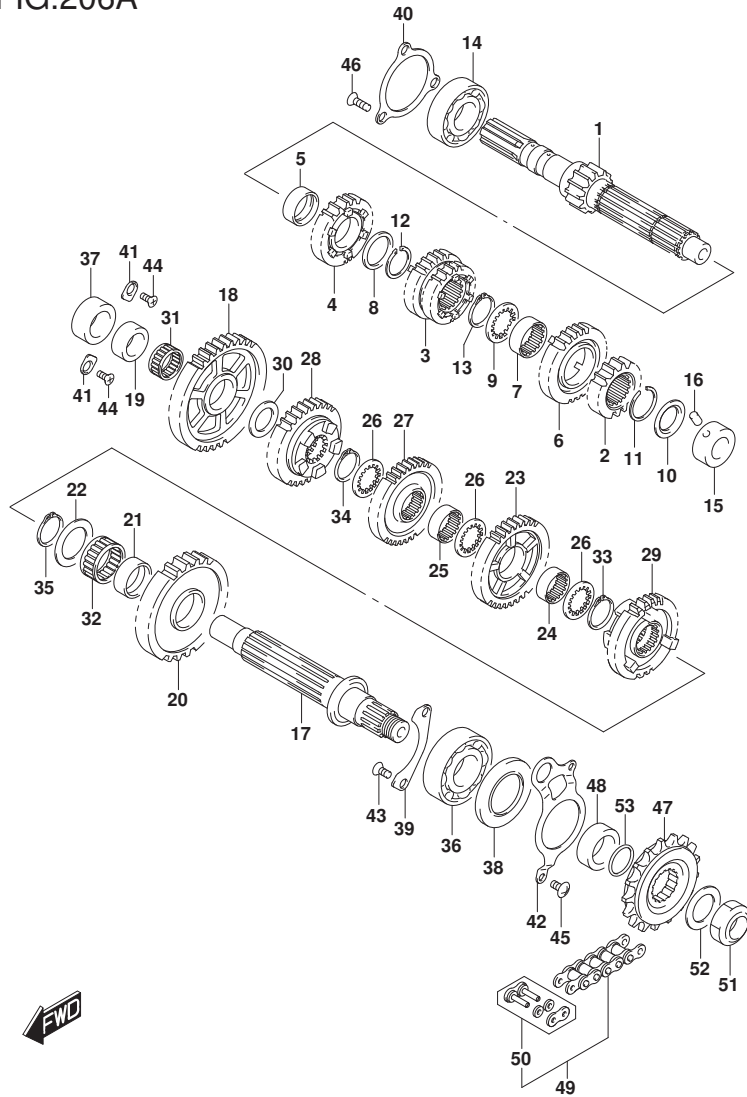
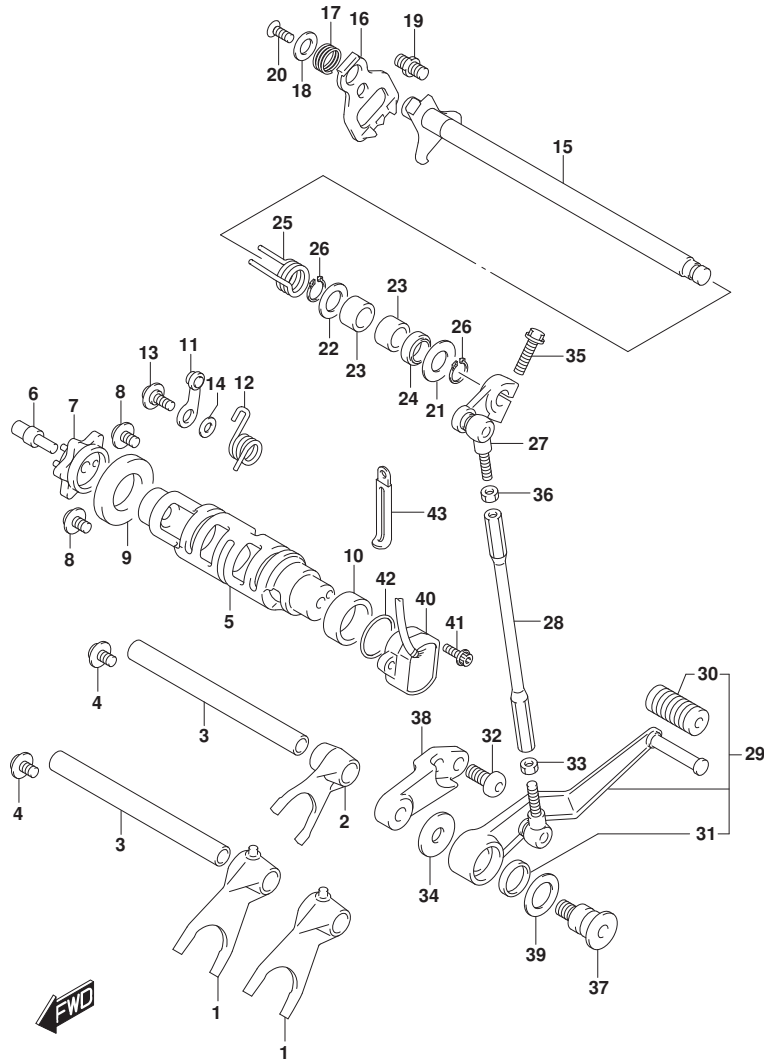


FIG.206A (1-C-14) TRANSMISSION

REF NO.	PART NO.	DESCRIPTION	Q'TY	REMARKS
34	09380-30009	CIRCLIP	1	
35	09380-30009	CIRCLIP	1	
36	09262-30001	BEARING	1	LH
37	09263-22074	BEARING	1	RH
38	09283-40043	OIL SEAL	1	
39	24741-06G00	RETAINER, DRIVE SHAFT BEARING	1	
40	24741-17K00	RETAINER, COUNTER SHAFT BRG	1	
41	24741-20A00	RETAINER, COUNTER BEARING RH	2	
42	24751-17K00	RETAINER, CL PUSH ROD OIL SEAL	1	
43	09126-06011	SCREW (6X12)	2	
44	09126-06011	SCREW (6X12)	2	
45	09139-06153	SCREW (6X13)	2	
46	09139-06159	SCREW (6X20)	3	
47	27510-17K00	SPROCKET, ENGINE (NT:17)	1	
48	27531-17K00	SPACER, ENGINE SPROCKET	1	
49	27600-17K00-120	CHAIN ASSY, DRIVE (DID525HV3)	1	
50	27620-17K00	.JOINT SET, DRIVE CHAIN	1	
51	09159-22008	NUT	1	
52	09181-27016	SHIM (27X42X1.5)	1	
53	09280-26005	O RING (D:2.4,ID:26.2)	1	

FIG.212A



GSX-R1000AL8_E21_212A
GEAR SHIFTING

FIG.212A (1-C-15) GEAR SHIFTING (GSX-R1000AL8 E21)

REF NO.	PART NO.	DESCRIPTION	Q'TY	REMARKS
1	25211-01H11	FORK, GEAR SHIFT NO.1	2	
2	25231-01H02	FORK, GEAR SHIFT NO.3	1	
3	25411-38B01	SHAFT, GEAR SHIFT FORK	2	
4	09136-06147	SCREW (6X12)	2	
5	25310-17K00	CAM, GEAR SHIFT	1	
6	25312-17K00	BOLT, GEAR SHIFT CAM PLATE	1	
7	25381-17K00	PLATE, GEAR SHIFT CAM	1	
8	09136-06147	SCREW (6X12)	2	
9	09262-25006	BEARING (25X47X8)	1	
10	09263-25018	BEARING (25X32X12)	1	
11	25350-06G00	STOPPER, SHIFT CAM	1	
12	25355-17K00	SPRING, GEAR SHIFT CAM STOPPER	1	
13	09111-06041	BOLT (6X14.3)	1	
14	08211-06141	WASHER	1	
15	25510-17K00	SHAFT, GEAR SHIFT	1	
16	25512-06G20	PLATE, GEAR SHIFT CAM DRIVE	1	
17	25518-01H00	SPRING, GEAR SHIFT PLATE	1	
18	25519-01H00	WASHER, GEAR SHIFT SHAFT END	1	
19	25671-01011	STOPPER, GEAR SHIFT ARM	1	
20	09126-06014	SCREW (6X16)	1	
21	09160-14016	WASHER (14X29X0.8)	1	
22	09181-14195	SHIM (14X24X1)	1	
23	09263-14027	BEARING (14X20X12)	2	
24	09283-14006	OIL SEAL (14X22X6)	1	
25	09444-20001	SPRING	1	
26	08331-3114A	CIRCLIP	2	
27	25520-17K00	ARM, GEAR SHIFT LINK	1	
28	25525-17K00	ROD, GEAR SHIFT LINK	1	
29	25600-17K00	LEVER ASSY, GEAR SHIFT	1	
30	25652-20C00	.RUBBER, GEAR SHIFT PEDAL	1	
31	09284-18005	.OIL SEAL (18X24X3.5)	2	
32	09106-08167	BOLT (8X20)	2	
33	09140-06025	NUT	1	
34	09160-10144	WASHER (10X30X2.5)	1	
35	07120-0625A	BOLT	1	

GSX-R1000AL8_E21

FIG.212A

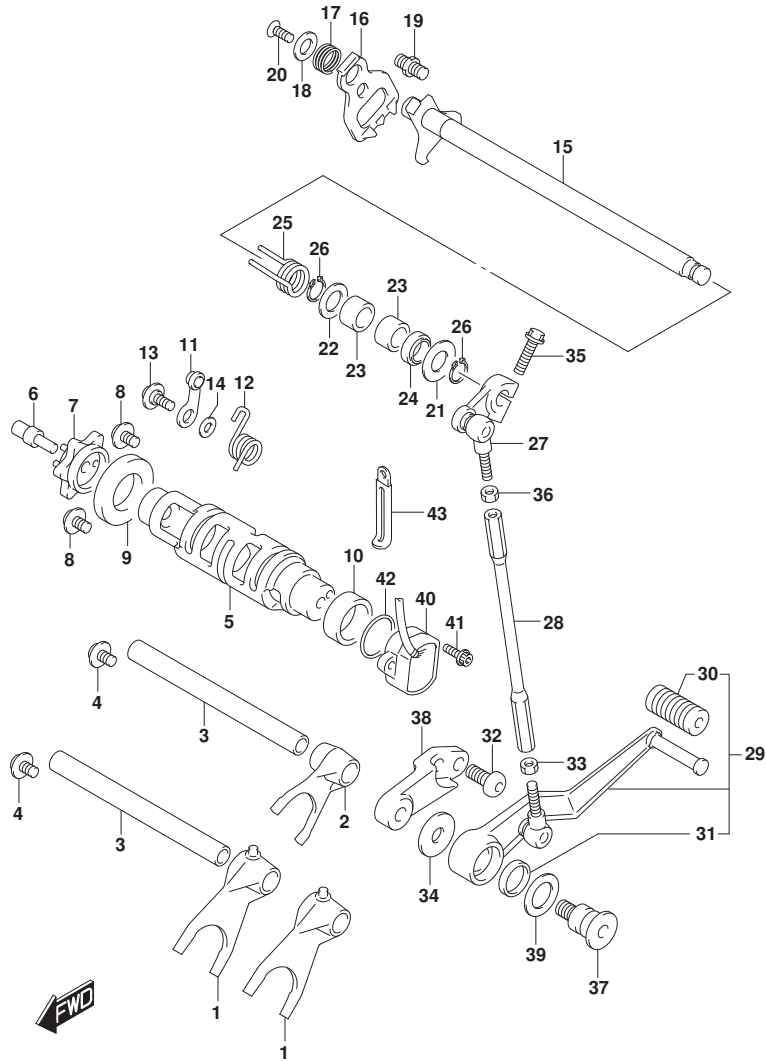
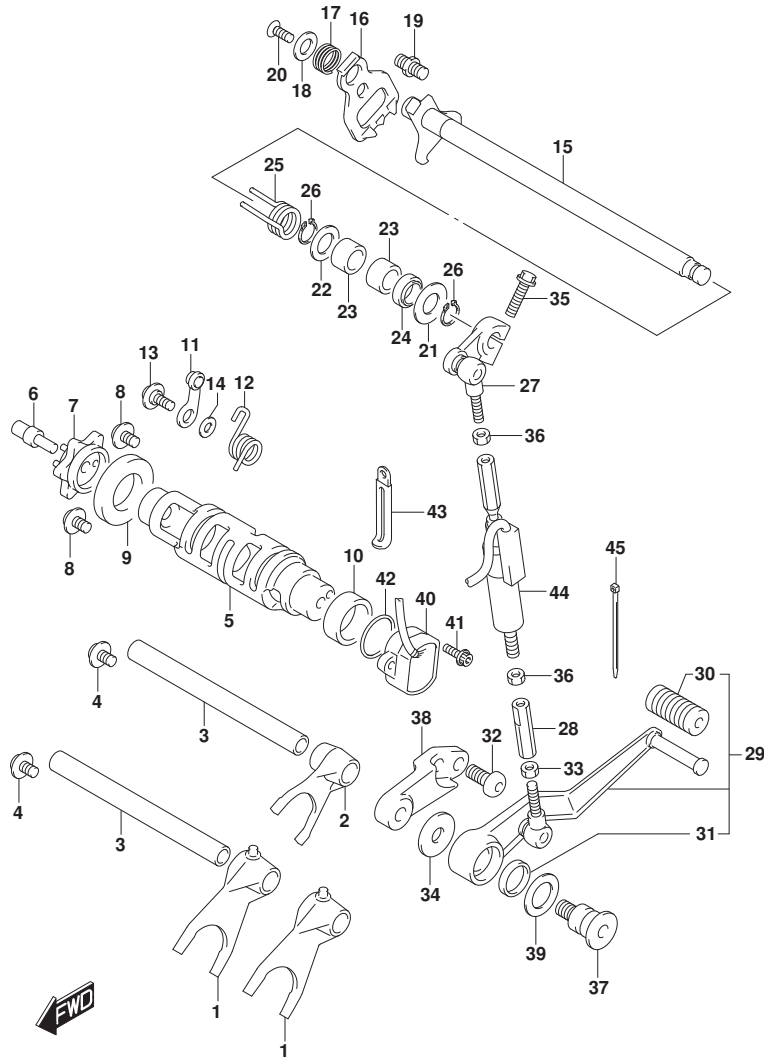


FIG.212A (1-D-2) GEAR SHIFTING (GSX-R1000AL8 E21)

REF NO.	PART NO.	DESCRIPTION	Q'TY	REMARKS
36	09140-06020	NUT	1	
37	25617-17K00	SHAFT, GEAR SHIFT LEVER	1	
38	25681-17K00	BRACKET, GEAR SHIFT LEVER	1	
39	25619-17K00	WASHER, GEAR SHIFT LEVER LH	1	
40	37730-17K00	SENSOR ASSY, GEAR POSITION	1	
41	09106-05023	BOLT (5X16)	2	
42	09280-26005	O RING (D:2.4, ID:26.2)	1	
43	09404-06429	CLAMP (L:45)	1	

FIG.212B



GSX-R1000AL8_E21_212B
GEAR SHIFTING

FIG.212B (1-D-3) GEAR SHIFTING (GSX-R1000RZAL8 E21)

REF NO.	PART NO.	DESCRIPTION	Q'TY	REMARKS
1	25211-01H11	FORK, GEAR SHIFT NO.1	2	
2	25231-01H02	FORK, GEAR SHIFT NO.3	1	
3	25411-38B01	SHAFT, GEAR SHIFT FORK	2	
4	09136-06147	SCREW (6X12)	2	
5	25310-17K00	CAM, GEAR SHIFT	1	
6	25312-17K00	BOLT, GEAR SHIFT CAM PLATE	1	
7	25381-17K00	PLATE, GEAR SHIFT CAM	1	
8	09136-06147	SCREW (6X12)	2	
9	09262-25006	BEARING (25X47X8)	1	
10	09263-25018	BEARING (25X32X12)	1	
11	25350-06G00	STOPPER, SHIFT CAM	1	
12	25355-17K00	SPRING, GEAR SHIFT CAM STOPPER	1	
13	09111-06041	BOLT (6X14.3)	1	
14	08211-06141	WASHER	1	
15	25510-17K00	SHAFT, GEAR SHIFT	1	
16	25512-06G20	PLATE, GEAR SHIFT CAM DRIVE	1	
17	25518-01H00	SPRING, GEAR SHIFT PLATE	1	
18	25519-01H00	WASHER, GEAR SHIFT SHAFT END	1	
19	25671-01011	STOPPER, GEAR SHIFT ARM	1	
20	09126-06014	SCREW (6X16)	1	
21	09160-14016	WASHER (14X29X0.8)	1	
22	09181-14195	SHIM (14X24X1)	1	
23	09263-14027	BEARING (14X20X12)	2	
24	09283-14006	OIL SEAL (14X22X6)	1	
25	09444-20001	SPRING	1	
26	08331-3114A	CIRCLIP	2	
27	25520-17K00	ARM, GEAR SHIFT LINK	1	
28	25525-17K10	ROD, GEAR SHIFT LINK	1	
29	25600-17K00	LEVER ASSY, GEAR SHIFT	1	
30	25652-20C00	.RUBBER, GEAR SHIFT PEDAL	1	
31	09284-18005	.OIL SEAL (18X24X3.5)	2	
32	09106-08167	BOLT (8X20)	2	
33	09140-06025	NUT	1	
34	09160-10144	WASHER (10X30X2.5)	1	

GSX-R1000AL8_E21

FIG.212B

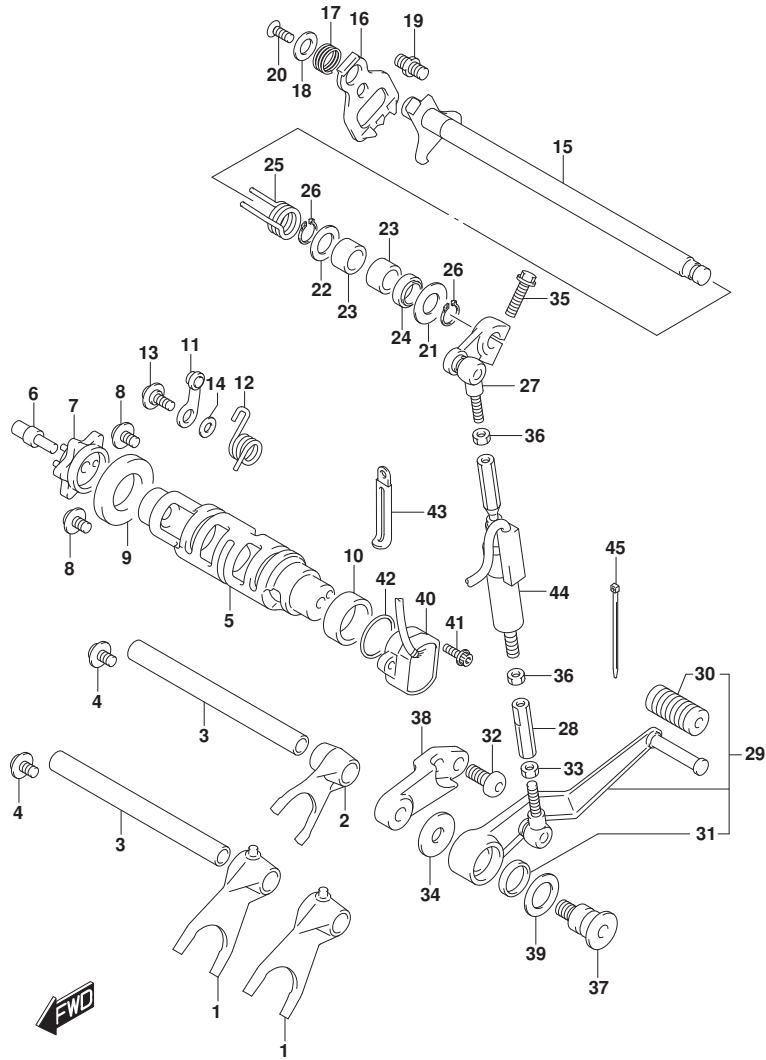


FIG.212B (1-D-4) GEAR SHIFTING (GSX-R1000RZAL8 E21)

REF NO.	PART NO.	DESCRIPTION	Q'TY	REMARKS
35	07120-0625A	BOLT	1	
36	09140-06020	NUT	2	
37	25617-17K00	SHAFT, GEAR SHIFT LEVER	1	
38	25681-17K00	BRACKET, GEAR SHIFT LEVER	1	
39	25619-17K00	WASHER, GEAR SHIFT LEVER LH	1	
40	37730-17K00	SENSOR ASSY, GEAR POSITION	1	
41	09106-05023	BOLT (5X16)	2	
42	09280-26005	O RING (D:2.4, ID:26.2)	1	
43	09404-06429	CLAMP (L:45)	1	
44	25501-17810	SENSOR & ROD SET	1	
45	09407-14407	CLAMP (L:145)	1	

FIG.212C

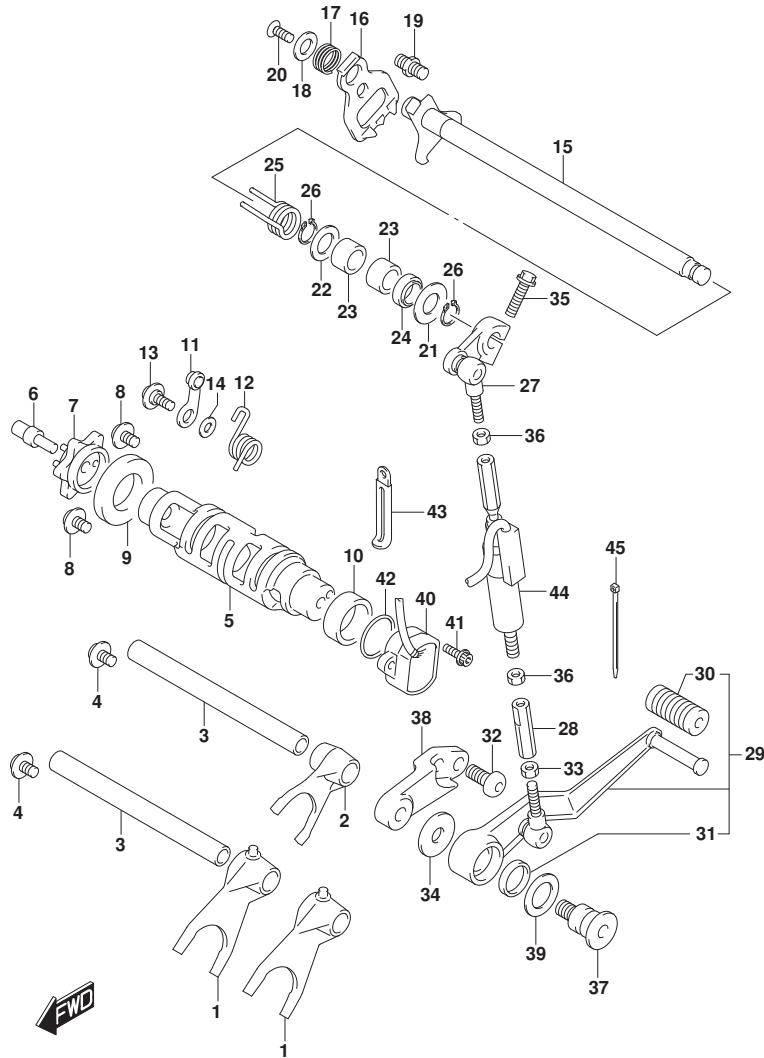


FIG.212C (1-D-5) GEAR SHIFTING (GSX-R1000RAL8 E21)

REF NO.	PART NO.	DESCRIPTION	Q'TY	REMARKS
1	25211-01H11	FORK, GEAR SHIFT NO.1	2	
2	25231-01H02	FORK, GEAR SHIFT NO.3	1	
3	25411-38B01	SHAFT, GEAR SHIFT FORK	2	
4	09136-06147	SCREW (6X12)	2	
5	25310-17K00	CAM, GEAR SHIFT	1	
6	25312-17K00	BOLT, GEAR SHIFT CAM PLATE	1	
7	25381-17K00	PLATE, GEAR SHIFT CAM	1	
8	09136-06147	SCREW (6X12)	2	
9	09262-25006	BEARING (25X47X8)	1	
10	09263-25018	BEARING (25X32X12)	1	
11	25350-06G00	STOPPER, SHIFT CAM	1	
12	25355-17K00	SPRING, GEAR SHIFT CAM STOPPER	1	
13	09111-06041	BOLT (6X14.3)	1	
14	08211-06141	WASHER	1	
15	25510-17K00	SHAFT, GEAR SHIFT	1	
16	25512-06G20	PLATE, GEAR SHIFT CAM DRIVE	1	
17	25518-01H00	SPRING, GEAR SHIFT PLATE	1	
18	25519-01H00	WASHER, GEAR SHIFT SHAFT END	1	
19	25671-01011	STOPPER, GEAR SHIFT ARM	1	
20	09126-06014	SCREW (6X16)	1	
21	09160-14016	WASHER (14X29X0.8)	1	
22	09181-14195	SHIM (14X24X1)	1	
23	09263-14027	BEARING (14X20X12)	2	
24	09283-14006	OIL SEAL (14X22X6)	1	
25	09444-20001	SPRING	1	
26	08331-3114A	CIRCLIP	2	
27	25520-17K00	ARM, GEAR SHIFT LINK	1	
28	25525-17K10	ROD, GEAR SHIFT LINK	1	
29	25600-17K00	LEVER ASSY, GEAR SHIFT	1	
30	25652-20C00	.RUBBER, GEAR SHIFT PEDAL	1	
31	09284-18005	.OIL SEAL (18X24X3.5)	2	
32	09106-08167	BOLT (8X20)	2	
33	09140-06025	NUT	1	
34	09160-10144	WASHER (10X30X2.5)	1	

FIG.212C

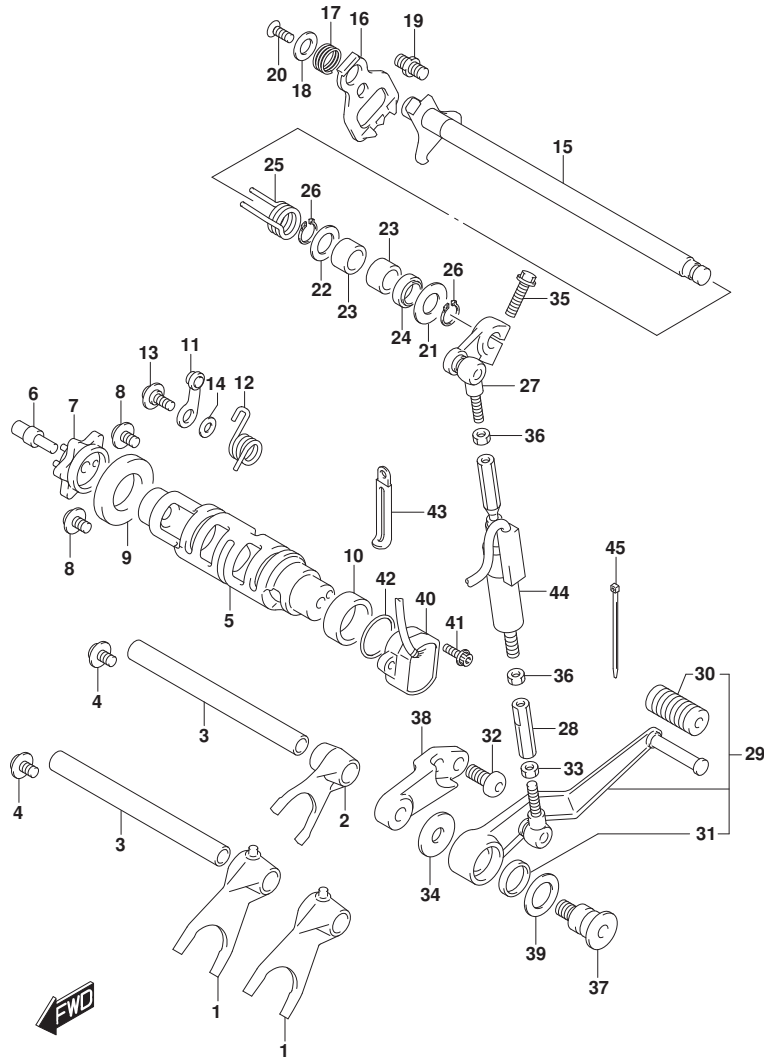


FIG.212C (1-D-6) GEAR SHIFTING (GSX-R1000RAL8 E21)

REF NO.	PART NO.	DESCRIPTION	Q'TY	REMARKS
35	07120-0625A	BOLT	1	
36	09140-06020	NUT	2	
37	25617-17K00	SHAFT, GEAR SHIFT LEVER	1	
38	25681-17K00	BRACKET, GEAR SHIFT LEVER	1	
39	25619-17K00	WASHER, GEAR SHIFT LEVER LH	1	
40	37730-17K00	SENSOR ASSY, GEAR POSITION	1	
41	09106-05023	BOLT (5X16)	2	
42	09280-26005	O RING (D:2.4, ID:26.2)	1	
43	09404-06429	CLAMP (L:45)	1	
44	25501-17810	SENSOR & ROD SET	1	
45	09407-14407	CLAMP (L:145)	1	

FIG.301A

FIG.301A (1-D-7) STARTING MOTOR

REF NO.	PART NO.	DESCRIPTION	Q'TY	REMARKS
1	31100-17K00	MOTOR ASSY, STARTING	1	
2	31150-40F01	.HOUSING ASSY	1	
3	31153-49210	..OIL SEAL	1	
4	31175-40F01	.FRAME ASSY	1	
5	31264-32C10	.O RING	2	
6	31281-40F00	.BOLT	2	
7	31361-17K00	.PLATE, LOCK	1	
8	31361-10200	.RING, SNAP	1	
9	31156-40F01	.O RING	1	
10	31361-38300	.SHIM	1	
11	01547-0620A	BOLT	2	
12	09137-05004	SCREW (5X8)	1	

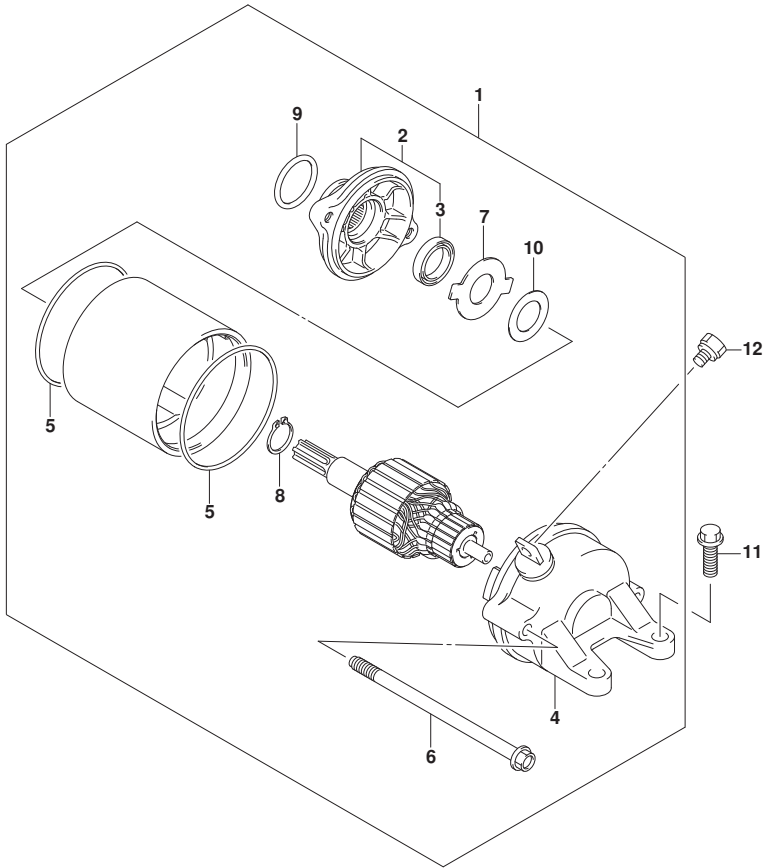


FIG.304A

FIG.304A (1-D-8) GENERATOR

REF NO.	PART NO.	DESCRIPTION	Q'TY	REMARKS
1	32101-17K00	STATOR ASSY	1	
2	32102-17K00	ROTOR ASSY	1	
3	32371-17K00	CLAMP, GENERATOR LEAD WIRE	1	
4	09103-12135	BOLT	1	
5	09106-06137	BOLT	3	
6	09160-12036	WASHER (12X30X3)	1	
7	07130-0512A	BOLT	2	
8	09420-04008	KEY	1	

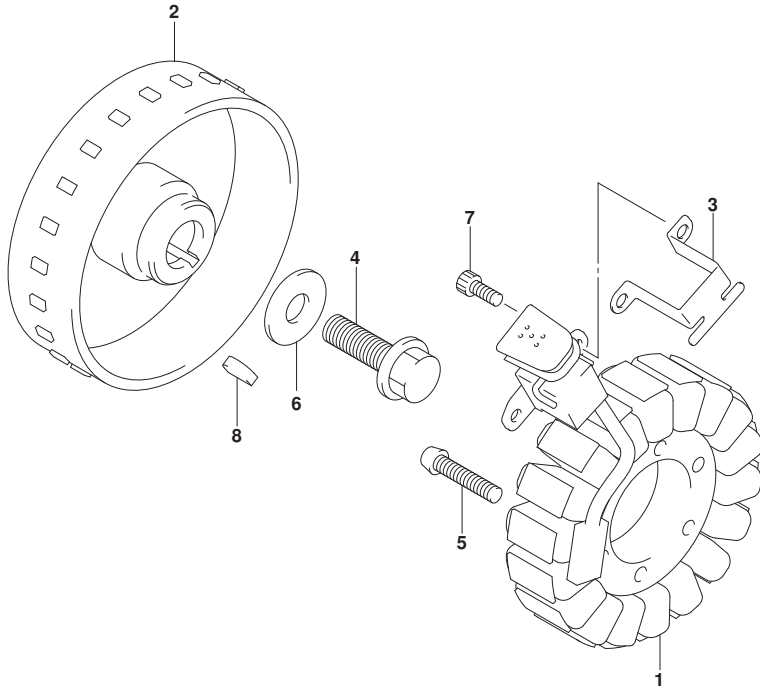


FIG.310A

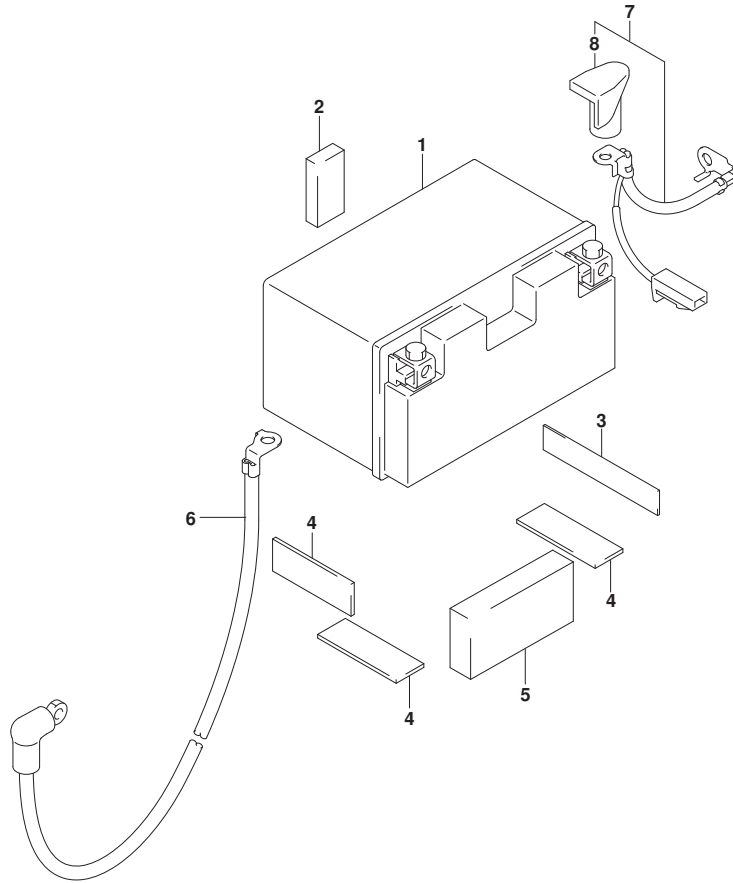


FIG.310A (1-D-9) BATTERY

REF NO.	PART NO.	DESCRIPTION	Q'TY	REMARKS
1	33620-17K00	BATTERY ASSY (YTZ10S, 12V8.6AH)	1	
2	33652-17K00	PROTECTOR, BATTERY	1	
3	33652-17K20	PROTECTOR, BATTERY	1	
4	33652-17K30	PROTECTOR, BATTERY	3	
5	33652-17K40	CUSHION, BATTERY	1	
6	33810-17K00	WIRE, STARTER MOTOR LEAD	1	
7	33820-17K10	WIRE, BATTERY PLUS LEAD	1	
8	33624-04K00	.CAP, BATTERY PLUS TERMINAL	1	

FIG.312A

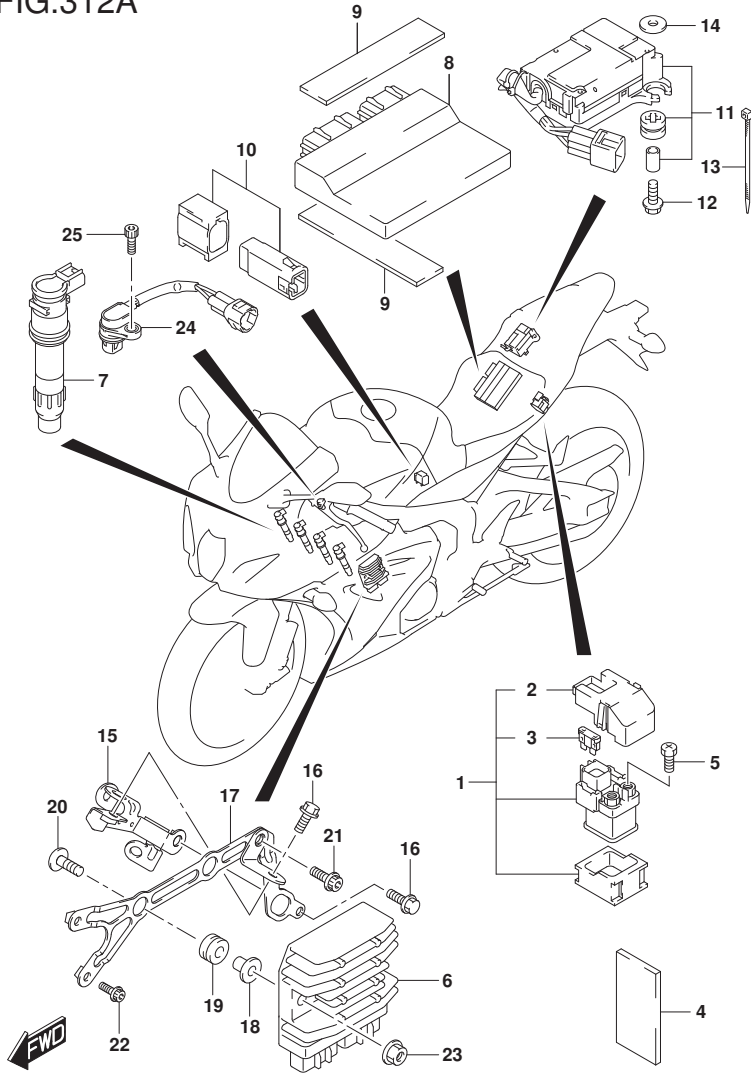


FIG.312A (1-D-10) ELECTRICAL (GSX-R1000AL8 E21)

REF NO.	PART NO.	DESCRIPTION	Q'TY	REMARKS
1	31800-21E20	RELAY ASSY, STARTING MOTOR	1	
2	31861-47E00	.COVER	1	
3	09481-30101	.FUSE (30A)	2	
4	36920-08D00	PROTECTOR (30X60X3)	1	
5	09128-06013	SCREW (6X8)	2	
6	32800-26J01	RECTIFIER ASSY	1	
7	33410-17K00	COIL ASSY, IGNITION	4	
8	32920-17K01	CONTROL UNIT, FI	1	
9	33652-38A10	PROTECTOR (20X90X2)	4	
10	33960-06G10	SENSOR ASSY, FUEL CUT	1	
11	33970-47H01	ACTUATOR ASSY, EXHAUST	1	
12	09103-06066	BOLT (6X23)	2	
13	09407-10404	CLAMP (L:100)	1	
14	08322-0106A	WASHER	2	
15	36670-17K00	BRACKET, HARNESS	1	
16	01547-0612A	BOLT	2	
17	32830-17K00	BRACKET, RECT FTG	1	
18	09180-06331	SPACER (6.2X8.4X10.9)	2	
19	09320-08501	CUSHION	2	
20	02142-0635A	SCREW	2	
21	07120-0620A	BOLT	1	
22	07120-0630B	BOLT	2	
23	08316-1006A	NUT	2	
24	33220-01H00	SENSOR ASSY, CAM POSITION	1	
25	07130-0616A	BOLT	1	

FIG.312B

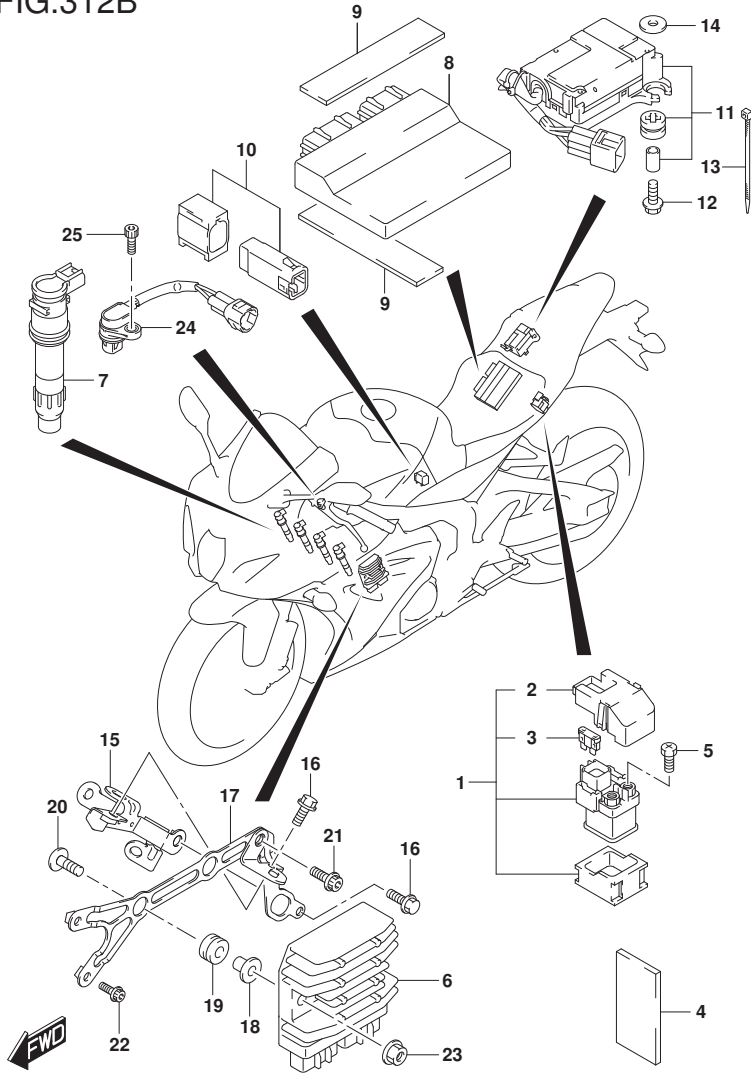


FIG.312B (1-D-11) ELECTRICAL (GSX-R1000RZAL8 E21)

REF NO.	PART NO.	DESCRIPTION	Q'TY	REMARKS
1	31800-21E20	RELAY ASSY, STARTING MOTOR	1	
2	31861-47E00	.COVER	1	
3	09481-30101	.FUSE (30A)	2	
4	36920-08D00	PROTECTOR (30X60X3)	1	
5	09128-06013	SCREW (6X8)	2	
6	32800-26J01	RECTIFIER ASSY	1	
7	33410-17K00	COIL ASSY, IGNITION	4	
8	32920-17K91	CONTROL UNIT, FI	1	
9	33652-38A10	PROTECTOR (20X90X2)	4	
10	33960-06G10	SENSOR ASSY, FUEL CUT	1	
11	33970-47H01	ACTUATOR ASSY, EXHAUST	1	
12	09103-06066	BOLT (6X23)	2	
13	09407-10404	CLAMP (L:100)	1	
14	08322-0106A	WASHER	2	
15	36670-17K00	BRACKET, HARNESS	1	
16	01547-0612A	BOLT	2	
17	32830-17K00	BRACKET, RECT FTG	1	
18	09180-06331	SPACER (6.2X8.4X10.9)	2	
19	09320-08501	CUSHION	2	
20	02142-0635A	SCREW	2	
21	07120-0620A	BOLT	1	
22	07120-0630B	BOLT	2	
23	08316-1006A	NUT	2	
24	33220-01H00	SENSOR ASSY, CAM POSITION	1	
25	07130-0616A	BOLT	1	

FIG.312C

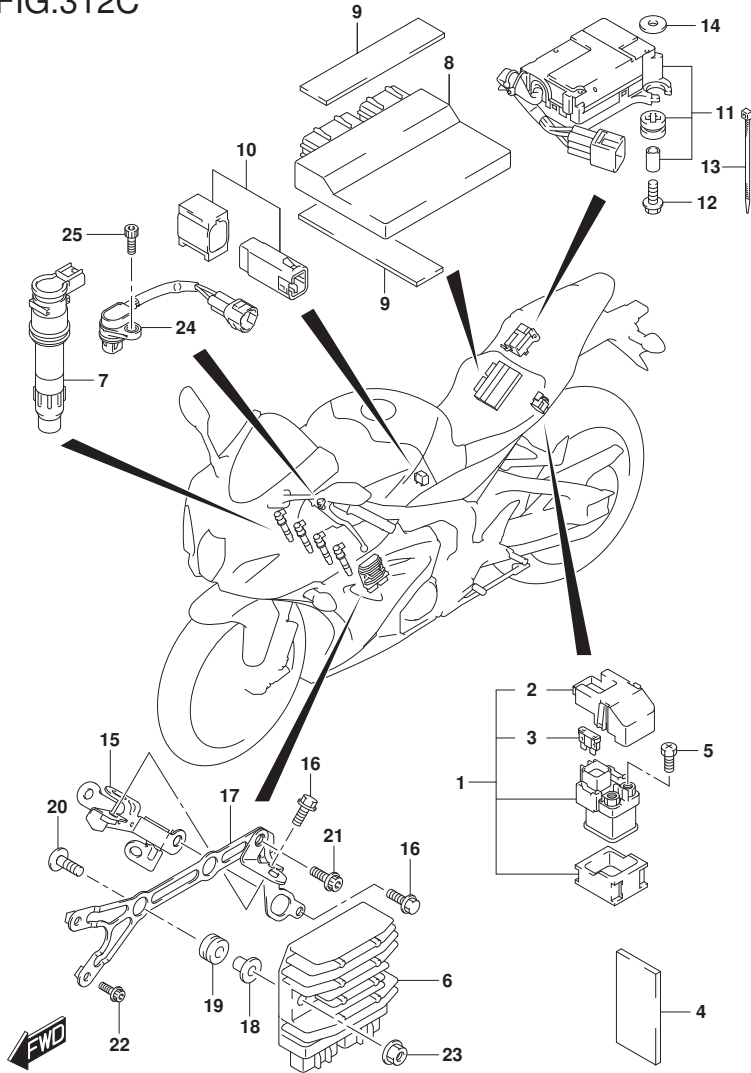


FIG.312C (1-D-12) ELECTRICAL (GSX-R1000AL8 E21)

REF NO.	PART NO.	DESCRIPTION	Q'TY	REMARKS
1	31800-21E20	RELAY ASSY, STARTING MOTOR	1	
2	31861-47E00	.COVER	1	
3	09481-30101	.FUSE (30A)	2	
4	36920-08D00	PROTECTOR (30X60X3)	1	
5	09128-06013	SCREW (6X8)	2	
6	32800-26J01	RECTIFIER ASSY	1	
7	33410-17K00	COIL ASSY, IGNITION	4	
8	32920-17K91	CONTROL UNIT, FI	1	
9	33652-38A10	PROTECTOR (20X90X2)	4	
10	33960-06G10	SENSOR ASSY, FUEL CUT	1	
11	33970-47H01	ACTUATOR ASSY, EXHAUST	1	
12	09103-06066	BOLT (6X23)	2	
13	09407-10404	CLAMP (L:100)	1	
14	08322-0106A	WASHER	2	
15	36670-17K00	BRACKET, HARNESS	1	
16	01547-0612A	BOLT	2	
17	32830-17K00	BRACKET, RECT FTG	1	
18	09180-06331	SPACER (6.2X8.4X10.9)	2	
19	09320-08501	CUSHION	2	
20	02142-0635A	SCREW	2	
21	07120-0620A	BOLT	1	
22	07120-0630B	BOLT	2	
23	08316-1006A	NUT	2	
24	33220-01H00	SENSOR ASSY, CAM POSITION	1	
25	07130-0616A	BOLT	1	

FIG.330A



FIG.330A (1-D-13) SPEEDOMETER (GSX-R1000AL8 E21)

REF NO.	PART NO.	DESCRIPTION	Q'TY	REMARKS
1	34100-17K00	SPEEDOMETER ASSY	1	
2	34111-17K00	.CASE ASSY, LOWER	1	
3	34150-17K00	.CASE ASSY, UPPER	1	
4	34183-10C00	.SCREW	8	
5	34189-08J00	CUSHION, SPEEDOMETER	3	
6	95643-58J00	SENSOR, AIR TEMP	1	
7	09160-04026	WASHER (4.5X16X1.2)	1	
8	03541-0416A	SCREW	1	

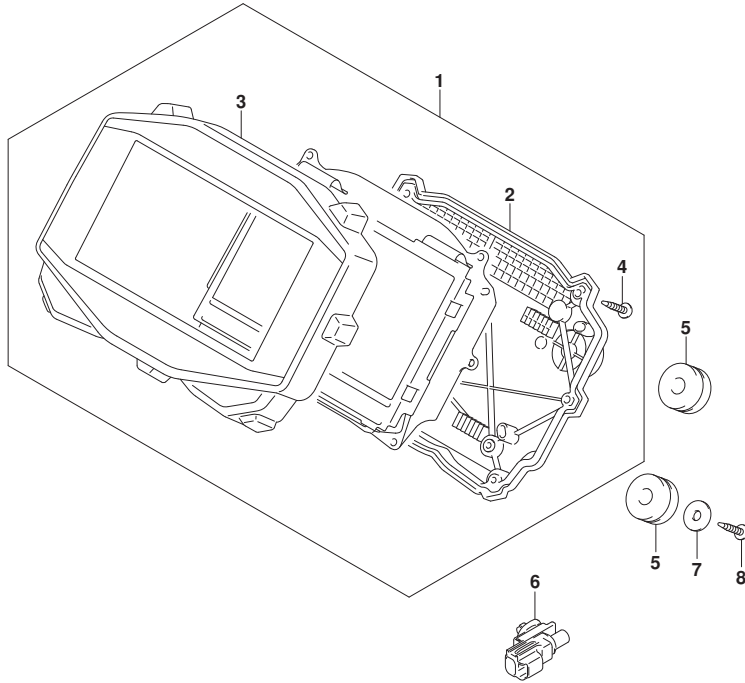


FIG.330B

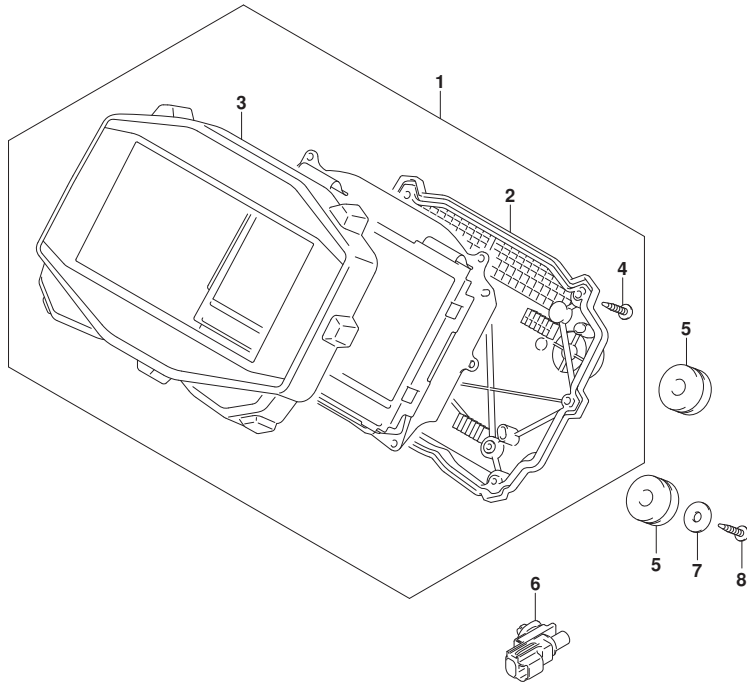


FIG.330B (1-D-14) SPEEDOMETER (GSX-R1000RZAL8 E21)

REF NO.	PART NO.	DESCRIPTION	Q'TY	REMARKS
1	34100-17KA0	SPEEDOMETER ASSY	1	
2	34111-17K00	.CASE ASSY, LOWER	1	
3	34150-17K00	.CASE ASSY, UPPER	1	
4	34183-10C00	.SCREW	8	
5	34189-08J00	CUSHION, SPEEDOMETER	3	
6	95643-58J00	SENSOR, AIR TEMP	1	
7	09160-04026	WASHER (4.5X16X1.2)	1	
8	03541-0416A	SCREW	1	

FIG.330C



FIG.330C (1-D-15) SPEEDOMETER (GSX-R1000RAL8 E21)

REF NO.	PART NO.	DESCRIPTION	Q'TY	REMARKS
1	34100-17KA0	SPEEDOMETER ASSY	1	
2	34111-17K00	.CASE ASSY, LOWER	1	
3	34150-17K00	.CASE ASSY, UPPER	1	
4	34183-10C00	.SCREW	8	
5	34189-08J00	CUSHION, SPEEDOMETER	3	
6	95643-58J00	SENSOR, AIR TEMP	1	
7	09160-04026	WASHER (4.5X16X1.2)	1	
8	03541-0416A	SCREW	1	

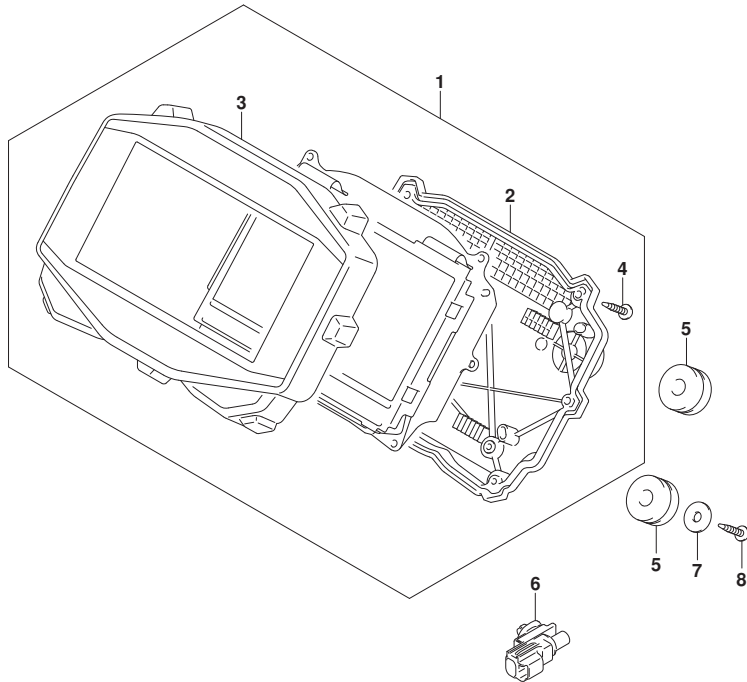


FIG.333A

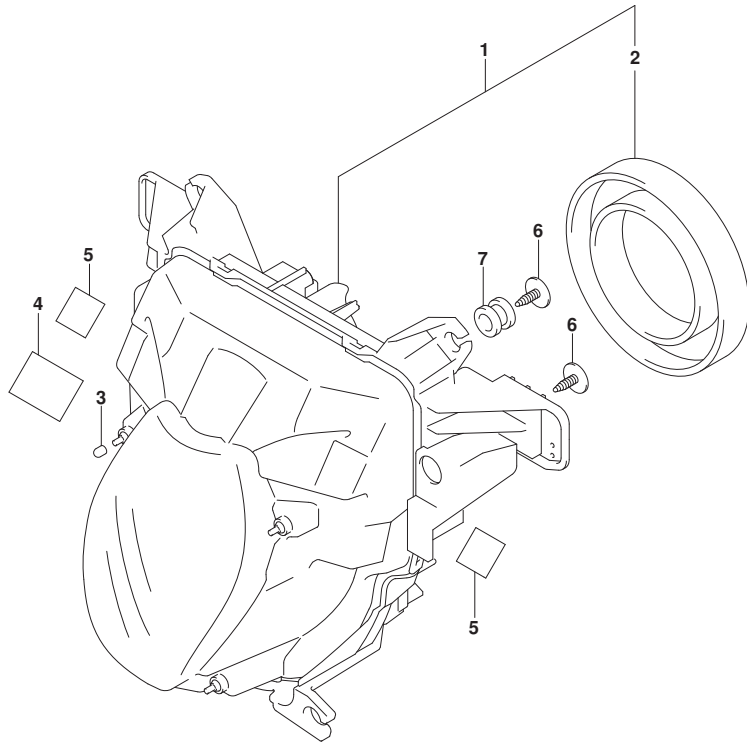


FIG.333A (1-E-2) HEADLAMP (GSX-R1000AL8 E21)

REF NO.	PART NO.	DESCRIPTION	Q'TY	REMARKS
1	35100-17K00	HEADLAMP ASSY	1	
2	35125-17K00	.COVER, SOCKET	1	
3	44294-43H00	CUSHION	4	
4	44572-02F01	FASTENER	1	
5	44572-37H00	FASTENER	2	
6	09136-05062	SCREW (5X15)	6	
7	09320-09039	CUSHION	4	



FIG.333B

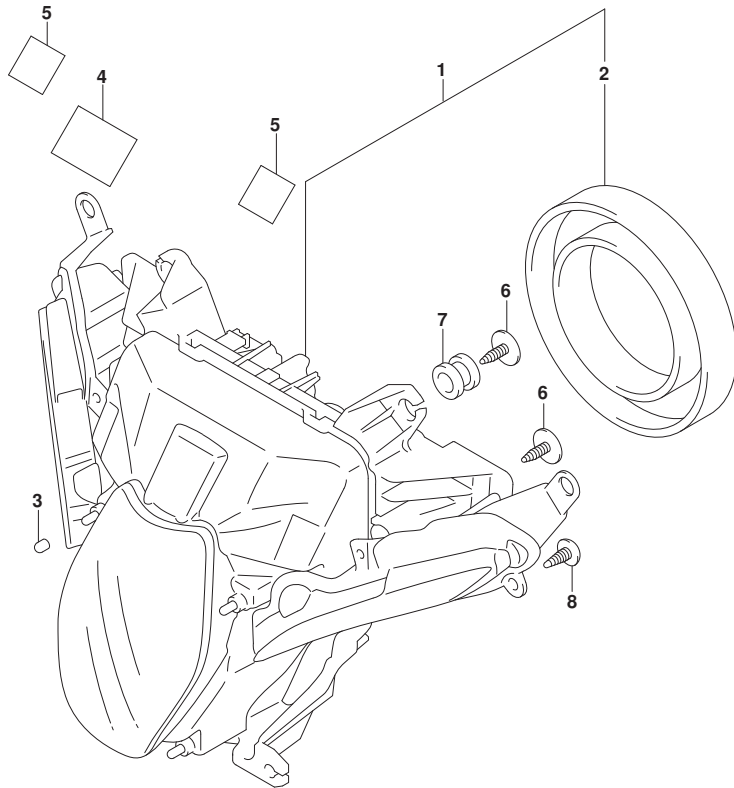


FIG.333B (1-E-3) HEADLAMP (GSX-R1000RZAL8 E21)

REF NO.	PART NO.	DESCRIPTION	Q'TY	REMARKS
1	35100-17KA0	HEADLAMP ASSY	1	
2	35125-17K00	.COVER, SOCKET	1	
3	44294-43H00	CUSHION	4	
4	44572-02F01	FASTENER	1	
5	44572-37H00	FASTENER	2	
6	09136-05062	SCREW (5X15)	6	
7	09320-09039	CUSHION	4	
8	03541-0512B	SCREW	4	

FIG.333C

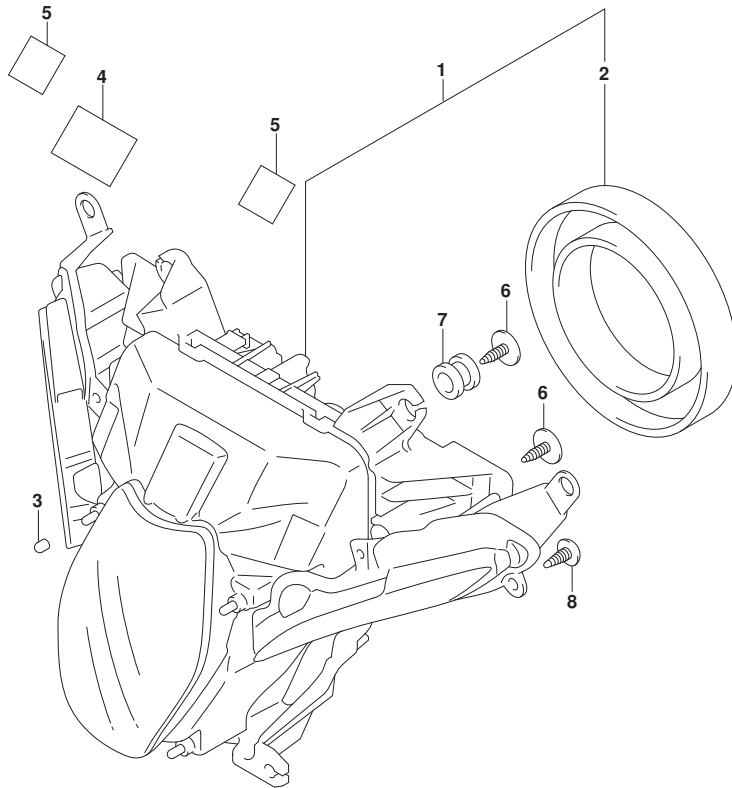


FIG.333C (1-E-4) HEADLAMP (GSX-R1000RAL8 E21)

REF NO.	PART NO.	DESCRIPTION	Q'TY	REMARKS
1	35100-17KA0	HEADLAMP ASSY	1	
2	35125-17K00	.COVER, SOCKET	1	
3	44294-43H00	CUSHION	4	
4	44572-02F01	FASTENER	1	
5	44572-37H00	FASTENER	2	
6	09136-05062	SCREW (5X15)	6	
7	09320-09039	CUSHION	4	
8	03541-0512B	SCREW	4	

FIG.334A

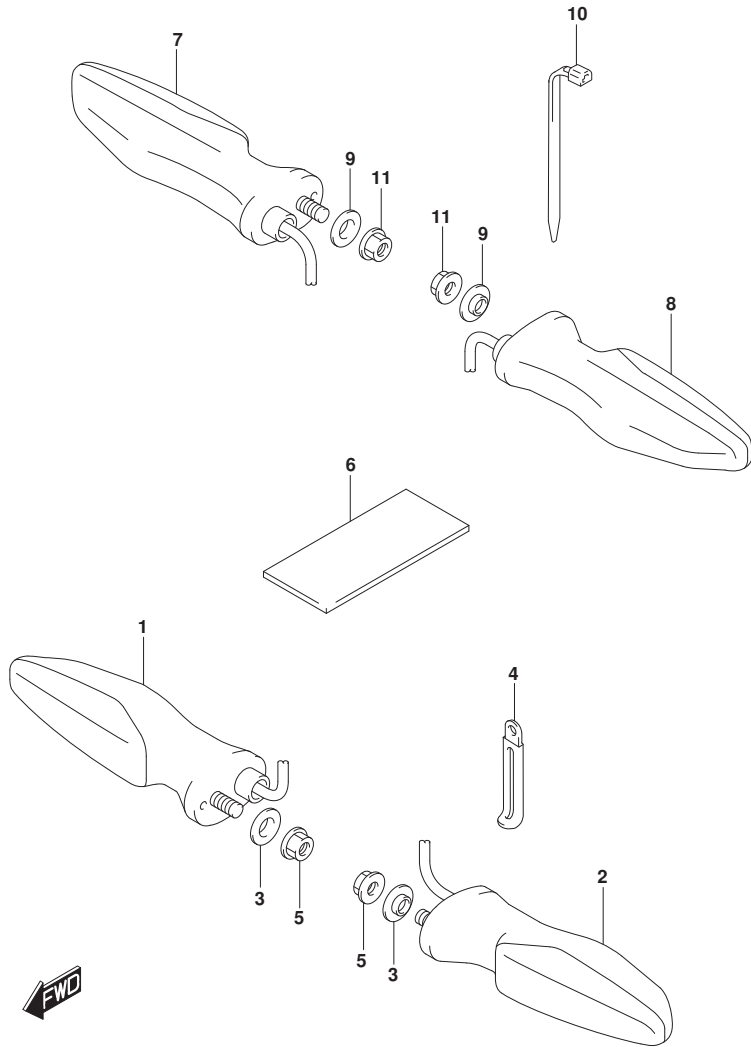


FIG.334A (1-E-5) TURN SIGNAL LAMP

REF NO.	PART NO.	DESCRIPTION	Q'TY	REMARKS
1	35601-17KA0	LAMP ASSY, FRONT TURN SIGNAL RH	1	
2	35602-17KA0	LAMP ASSY, FRONT TURN SIGNAL LH	1	
3	09169-06076	WASHER	2	
4	09404-06429	CLAMP (L:45)	1	
5	08316-1006A	NUT	2	
6	33652-17K10	CUSHION, REAR TURN SIGNAL LEAD	1	
7	35603-17KA0	LAMP ASSY, REAR TURN SIGNAL RH	1	
8	35604-17KA0	LAMP ASSY, REAR TURN SIGNAL LH	1	
9	09169-06076	WASHER	2	
10	09407-14403	CLAMP (L:125)	1	
11	08316-1006A	NUT	2	

FIG.339A

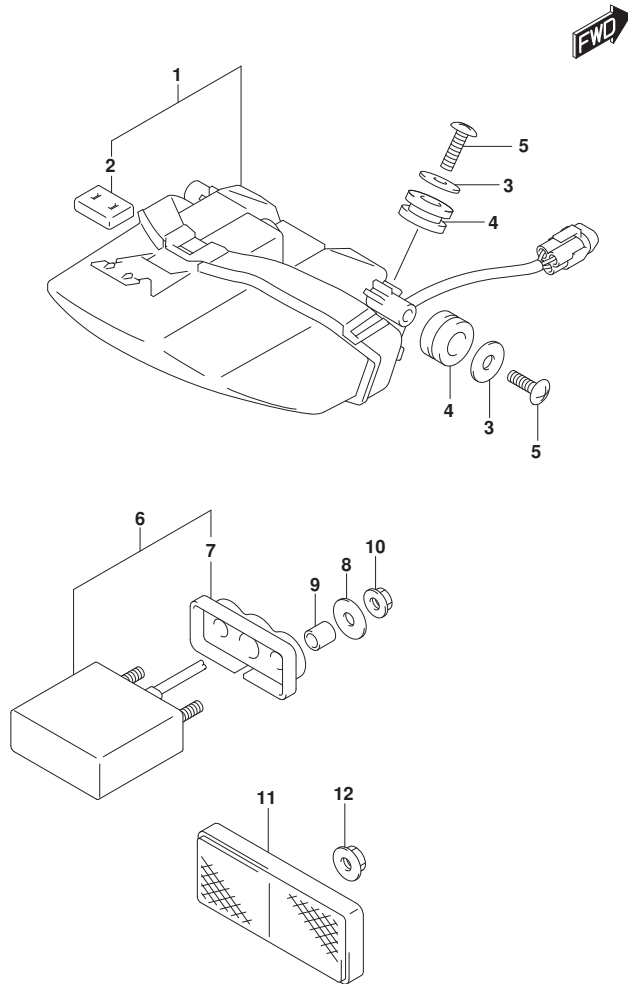


FIG.339A (1-E-6) REAR COMBINATION LAMP

REF NO.	PART NO.	DESCRIPTION	Q'TY	REMARKS
1	35710-17K00	LAMP ASSY, REAR COMBINATION	1	
2	35781-17K00	.CUSHION	1	
3	09160-05045	WASHER (5.5X18X1)	3	
4	09320-10054	CUSHION	3	
5	03541-0516A	SCREW	3	
6	35910-17K00	LAMP ASSY, LICENSE	1	
7	35913-17K00	.RUBBER	1	
8	09160-05045	WASHER (5.5X18X1)	2	
9	09180-06263	SPACER (6.5X9X9)	2	
10	08316-1005A	NUT	2	
11	35970-07F01	REFLECTOR ASSY, RR	1	
12	08316-1005A	NUT	1	

FIG.350A

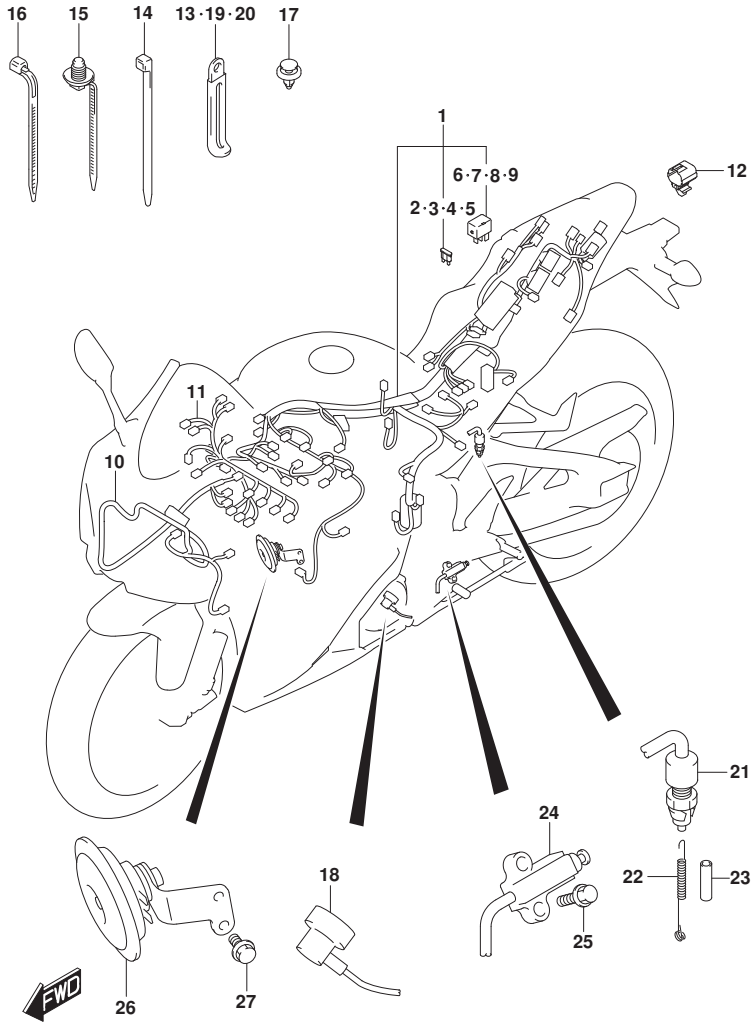


FIG.350A (1-E-7) WIRING HARNESS (GSX-R1000AL8 E21)

REF NO.	PART NO.	DESCRIPTION	Q'TY	REMARKS
1	36610-17K11	HARNES, WIRING NO.1	1	
2	09481-07504	.FUSE (7.5A)	2	
3	09481-10504	.FUSE (10A)	5	
4	09481-15504	.FUSE (15A)	2	
5	09481-30504	.FUSE (30A)	1	
6	38860-76F01	.RELAY	1	FUEL PUMP
7	38860-76F01	.RELAY	1	FAN MOTOR
8	38860-76F01	.RELAY	1	SIDE STAND
9	38860-76F01	.RELAY	1	HEADLAMP
10	36620-17K50	HARNES, WIRING NO.2	1	
11	36630-17K10	HARNES, WIRING NO.3	1	
12	36654-06J30	CAP, TS	1	
13	09404-06429	CLAMP (L:45)	1	
14	09407-14407	CLAMP (L:145)	3	
15	09407-17403	CLAMP (L:154)	1	
16	09407-14403	CLAMP (L:125)	2	
17	09409-06328	CLIP	1	
18	36851-17K00	WIRE, OIL PRESSURE SWITCH	1	
19	09404-06429	CLAMP (L:45)	1	
20	09404-06433	CLAMP (L:80)	1	
21	37740-17K00	SWITCH ASSY, STOP LAMP	1	
22	43232-17K00	SPRING	1	
23	09352-50823-600	HOSE (5X8.2X600)	1	L:600->60
24	37840-35F00	SWITCH ASSY, SIDE STAND	1	
25	01550-0620A	BOLT	2	
26	38500-17K00	HORN ASSY	1	
27	01550-0612A	BOLT	2	

FIG.350B

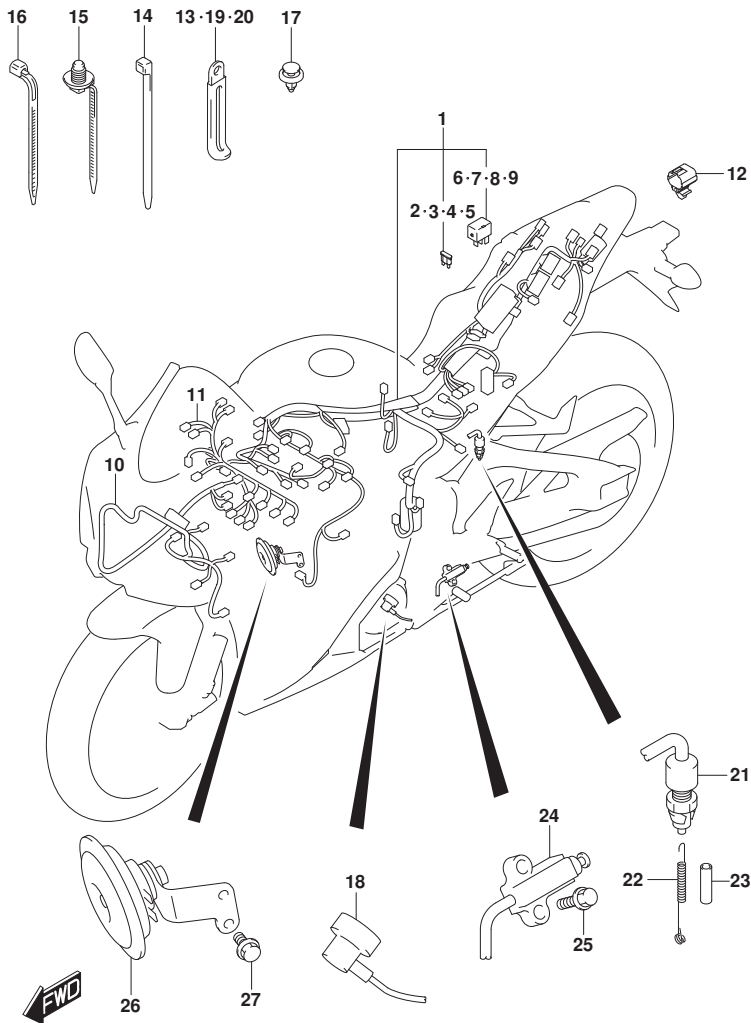


FIG.350B (1-E-8) WIRING HARNESS (GSX-R1000RZAL8 E21)

REF NO.	PART NO.	DESCRIPTION	Q'TY	REMARKS
1	36610-17K21	HARNES, WIRING NO.1	1	
2	09481-07504	.FUSE (7.5A)	2	
3	09481-10504	.FUSE (10A)	5	
4	09481-15504	.FUSE (15A)	2	
5	09481-30504	.FUSE (30A)	1	
6	38860-76F01	.RELAY	1	FUEL PUMP
7	38860-76F01	.RELAY	1	FAN MOTOR
8	38860-76F01	.RELAY	1	SIDE STAND
9	38860-76F01	.RELAY	1	HEADLAMP
10	36620-17K40	HARNES, WIRING NO.2	1	
11	36630-17K10	HARNES, WIRING NO.3	1	
12	36654-06J30	CAP, TS	1	
13	09404-06429	CLAMP (L:45)	1	
14	09407-14407	CLAMP (L:145)	3	
15	09407-17403	CLAMP (L:154)	1	
16	09407-14403	CLAMP (L:125)	2	
17	09409-06328	CLIP	1	
18	36851-17K00	WIRE, OIL PRESSURE SWITCH	1	
19	09404-06429	CLAMP (L:45)	1	
20	09404-06433	CLAMP (L:80)	1	
21	37740-17K00	SWITCH ASSY, STOP LAMP	1	
22	43232-17K00	SPRING	1	
23	09352-50823-600	HOSE (5X8.2X600)	1	L:600->60
24	37840-35F00	SWITCH ASSY, SIDE STAND	1	
25	01550-0620A	BOLT	2	
26	38500-17K00	HORN ASSY	1	
27	01550-0612A	BOLT	2	

FIG.350C

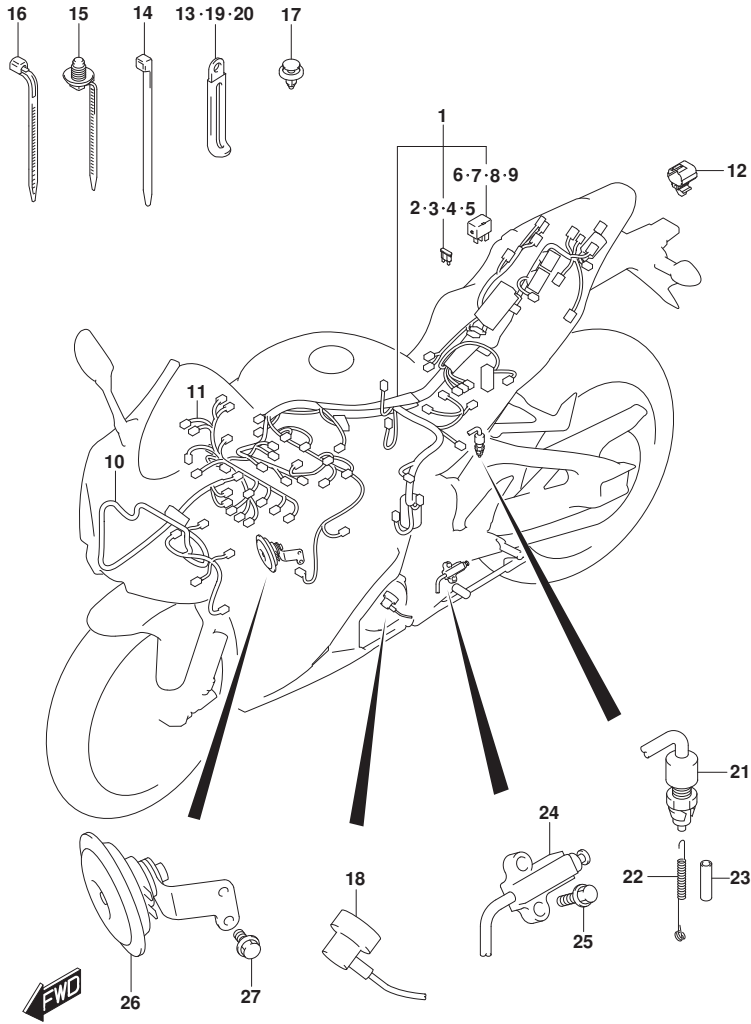


FIG.350C (1-E-9) WIRING HARNESS (GSX-R1000AL8 E21)

REF NO.	PART NO.	DESCRIPTION	Q'TY	REMARKS
1	36610-17K21	HARNES, WIRING NO.1	1	
2	09481-07504	.FUSE (7.5A)	2	
3	09481-10504	.FUSE (10A)	5	
4	09481-15504	.FUSE (15A)	2	
5	09481-30504	.FUSE (30A)	1	
6	38860-76F01	.RELAY	1	FUEL PUMP
7	38860-76F01	.RELAY	1	FAN MOTOR
8	38860-76F01	.RELAY	1	SIDE STAND
9	38860-76F01	.RELAY	1	HEADLAMP
10	36620-17K40	HARNES, WIRING NO.2	1	
11	36630-17K10	HARNES, WIRING NO.3	1	
12	36654-06J30	CAP, TS	1	
13	09404-06429	CLAMP (L:45)	1	
14	09407-14407	CLAMP (L:145)	3	
15	09407-17403	CLAMP (L:154)	1	
16	09407-14403	CLAMP (L:125)	2	
17	09409-06328	CLIP	1	
18	36851-17K00	WIRE, OIL PRESSURE SWITCH	1	
19	09404-06429	CLAMP (L:45)	1	
20	09404-06433	CLAMP (L:80)	1	
21	37740-17K00	SWITCH ASSY, STOP LAMP	1	
22	43232-17K00	SPRING	1	
23	09352-50823-600	HOSE (5X8.2X600)	1	L:600->60
24	37840-35F00	SWITCH ASSY, SIDE STAND	1	
25	01550-0620A	BOLT	2	
26	38500-17K00	HORN ASSY	1	
27	01550-0612A	BOLT	2	

FIG.352A

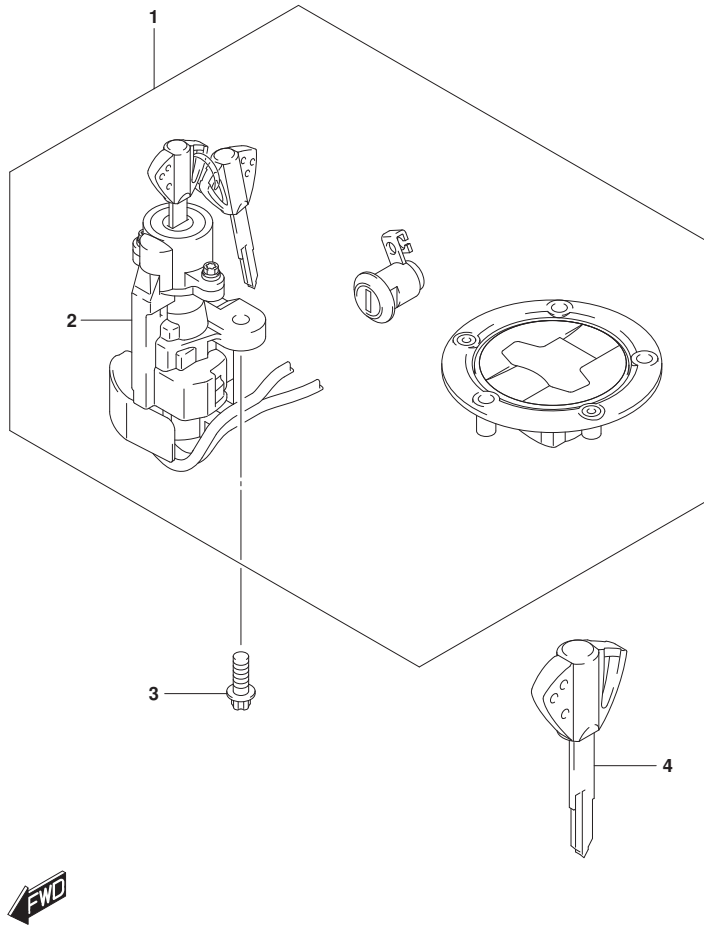


FIG.352A (1-E-10) LOCK SET

REF NO.	PART NO.	DESCRIPTION	Q'TY	REMARKS
1	37102-17811	LOCK SET	1	
2	37100-17K01	.LOCK ASSY, STEERING	1	
3	37152-17K00	BOLT (8X20)	2	
4	37146-41G00	KEY, BLANK	1	OPT

FIG.355A

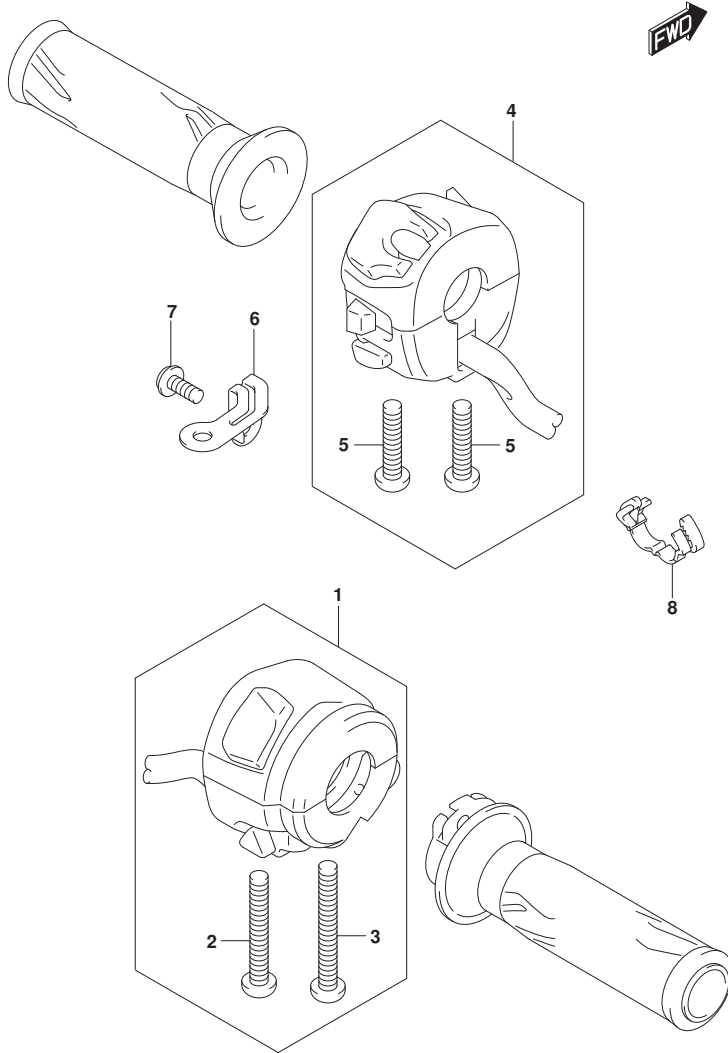


FIG.355A (1-E-11) HANDLE SWITCH

REF NO.	PART NO.	DESCRIPTION	QTY	REMARKS
1	37200-17K01	SWITCH ASSY, HANDLE RH	1	
2	02112-0535B	.SCREW	1	
3	02112-0540B	.SCREW	1	
4	37400-17K00	SWITCH ASSY, HANDLE LH	1	
5	02112-0525B	.SCREW	2	
6	36617-17K00	BRACKET, LEAD WIRE	1	
7	09139-06214	SCREW (6X16)	1	
8	09408-00184	CLAMP	1	

FIG.401A

FIG.401A (1-E-12) FRAME

REF NO.	PART NO.	DESCRIPTION	Q'TY	REMARKS
1	41100-17K00	FRAME	1	
2	41200-17K00	RAIL, SEAT	1	
3	41233-18G20	BOLT, SEAT RAIL	4	
4	09409-05308-5PK	CLIP (BLACK)	4	
5	41921-47H00	BOLT, ADJUST	2	
6	41922-47H00	NUT, ADJUST BOLT	2	

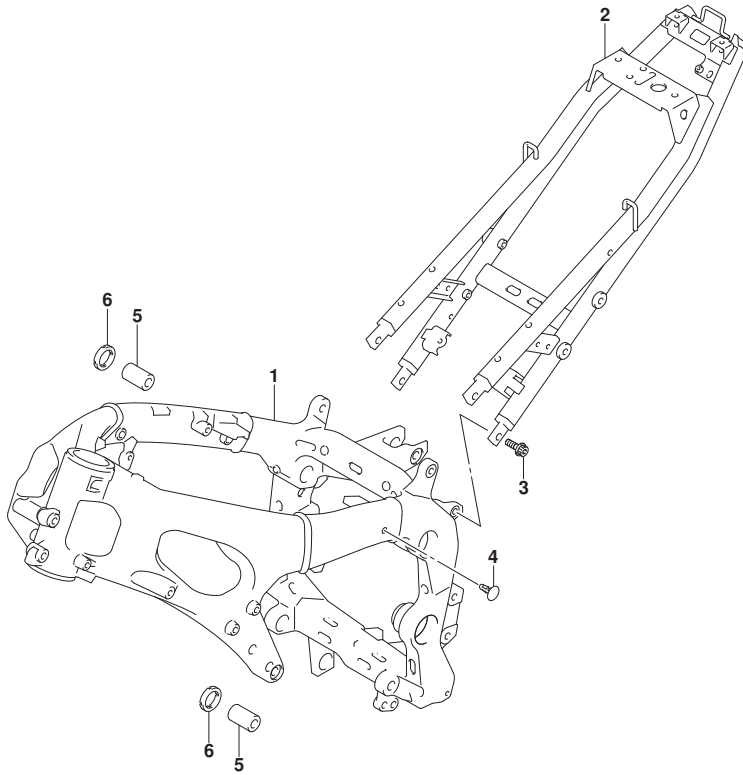


FIG.407A

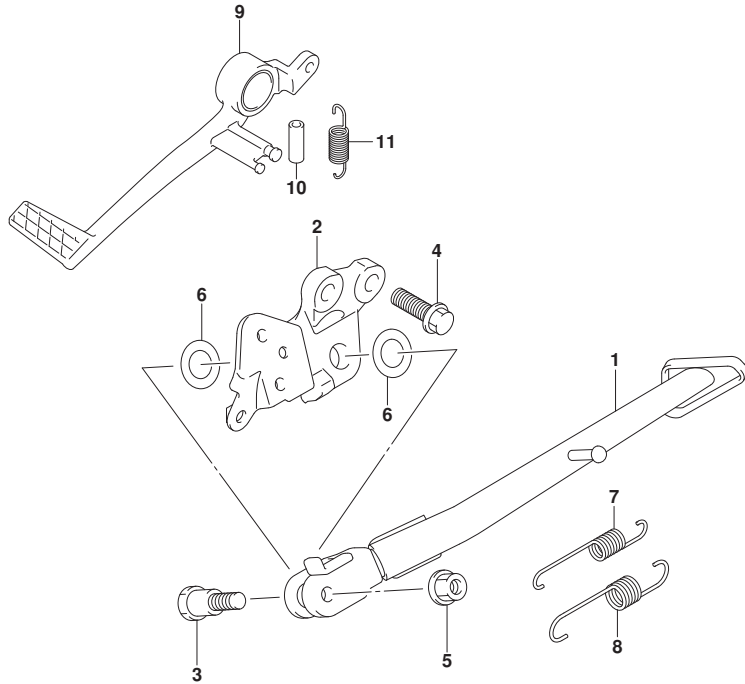


FIG.407A (1-E-13) STAND

REF NO.	PART NO.	DESCRIPTION	Q'TY	REMARKS
1	42310-17K00	STAND, PROP	1	
2	42330-17K10	BRACKET, PROP STAND	1	
3	42411-47H00	BOLT	1	
4	09103-10366	BOLT (10X30)	2	
5	09159-10103	NUT	1	
6	09181-16214	SHIM (16X28X0.5)	2	
7	09443-14070	SPRING	1	NO.1
8	09443-19016	SPRING	1	NO.2
9	43110-47H10	PEDAL, BRAKE	1	
10	09352-11153-600	HOSE (11X15X600)	1	L:600->22
11	09443-11033	SPRING	1	



FIG.415A

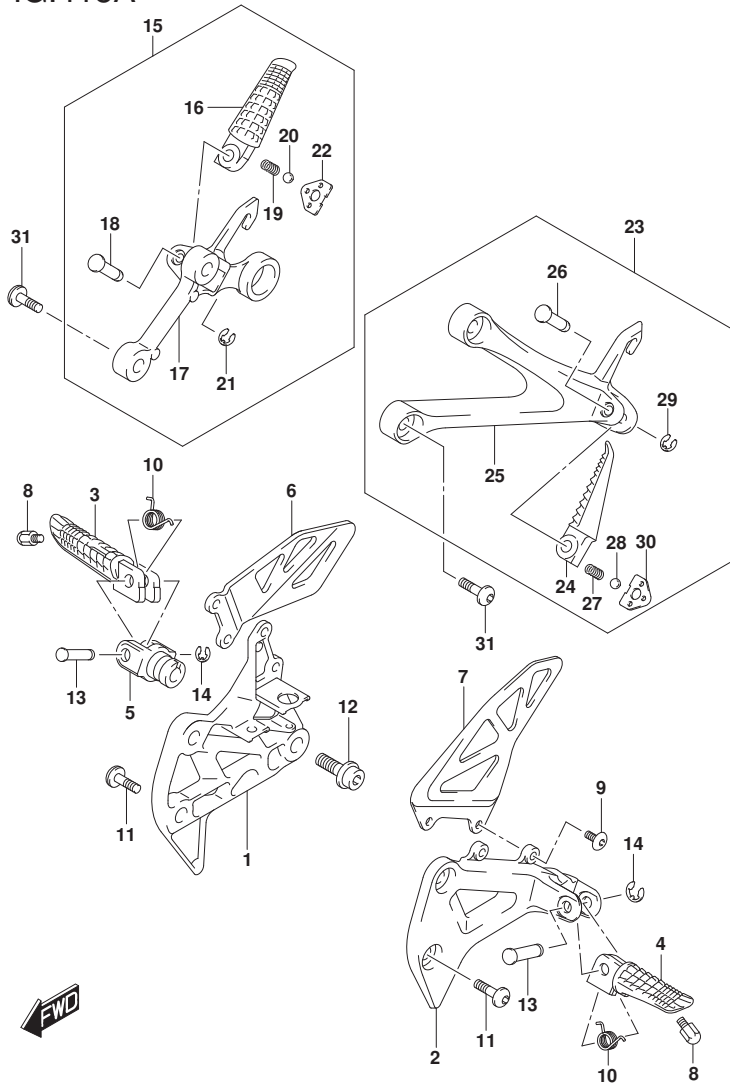


FIG.415A (1-E-14) FOOTREST

REF NO.	PART NO.	DESCRIPTION	Q'TY	REMARKS
1	43511-17K00	BRACKET, FRONT FOOTREST RH	1	
2	43521-17K00	BRACKET, FRONT FOOTREST LH	1	
3	43516-37H10	BAR, FOOTREST RH	1	
4	43526-37H10	BAR, FOOTREST LH	1	
5	43531-41G20	HOLDER, FOOTREST	1	
6	43571-17K00	GUARD, FOOTREST RH	1	
7	43576-17K00	GUARD, FOOTREST LH	1	
8	43576-48B40	BOLT, BANK SENSOR	2	
9	43577-35F10	SCREW, FOOTREST GUARD LH	2	
10	43581-47H00	SPRING, FRONT FOOTREST	2	
11	09106-08186	BOLT (8X23)	4	
12	09106-10064	BOLT (10X28)	1	
13	09208-08018	PIN	2	
14	08332-1106A	E RING	2	
15	43600-17K00	FOOTREST ASSY, PILLION RH	1	
16	43611-37H30	.BAR, PILLION FOOTREST RH	1	
17	43811-17K00	.BRACKET, PILLION FOOTREST RH	1	
18	09208-08020	.PIN	1	
19	09440-05005	.SPRING	1	
20	06111-07004	.BALL	1	
21	08332-1106A	E RING	1	
22	43816-01H20	.PLATE, PILLION FOOTREST	1	
23	43700-17K00	FOOTREST ASSY, PILLION LH	1	
24	43621-37H30	.BAR, PILLION FOOTREST LH	1	
25	43821-17K00	.BRACKET, PILLION FOOTREST LH	1	
26	09208-08020	.PIN	1	
27	09440-05005	.SPRING	1	
28	06111-07004	.BALL	1	
29	08332-1106A	E RING	1	
30	43816-01H20	.PLATE, PILLION FOOTREST	1	
31	09106-08186	BOLT (8X23)	4	

FIG.420A

FIG.420A (1-E-15) FUEL TANK (GSX-R1000AL8 E21) (FOR YWW)

REF NO.	PART NO.	DESCRIPTION	Q'TY	REMARKS
1	44100-17KB0-YWW	TANK ASSY, FUEL (WHITE)	1	
2	68110-17K00-BQL	.TAPE SET, FUEL TANK	1	
3	44121-17K00	VESSEL, FUEL TANK INNER	1	
4	44200-17820	CAP SET, FUEL TANK	1	
5	44244-11J00	BOLT, FUEL TANK FILLER CAP	3	
6	44552-24B10	MOLDING, FUEL TANK REAR	2	
7	44523-47H00	NUT	2	
8	44530-17K00	BRACKET, FUEL TANK NO.1	1	
9	44541-17K00	CUSHION, SIDE	2	
10	44542-17K00	CUSHION, REAR	2	
11	44544-17K00	SPACER, FUEL TANK REAR BRACKET	2	
12	44551-17K00	BRACKET, FUEL TANK REAR	1	
13	44552-17K00	CLIP, NUT	2	
14	44561-18G00	SPACER, JOINT	1	
15	09103-06033	BOLT (6X125)	1	
16	09111-06081	BOLT (6X18)	4	
17	09139-06191	SCREW (6X22)	4	
18	09159-06086	NUT	1	
19	09160-06012	WASHER (6.5X22X1.6)	1	
20	09320-08071	CUSHION	4	
21	44543-17K00	CUSHION, FUEL TANK COVER	2	
22	44572-13G00	FASTENER, COVER SIDE	2	
23	44572-44G00	FASTENER, COVER FRONT	4	
24	09148-05052	NUT	2	
25	09404-06433	CLAMP (L:80)	1	
26	09407-17403	CLAMP (L:154)	1	
27	44283-17K00	PROTECTOR, FUEL TANK	1	
28	44423-17K01	HOSE, DRAIN	1	
29	44574-17K00	STAY, FUEL TANK	1	OPT
30	44285-17K00	PROTECTOR, FUEL TANK NO.2 RH	1	
31	44286-17K00	PROTECTOR, FUEL TANK NO.2 LH	1	
32	44284-17K00	PROTECTOR, FUEL TANK	1	

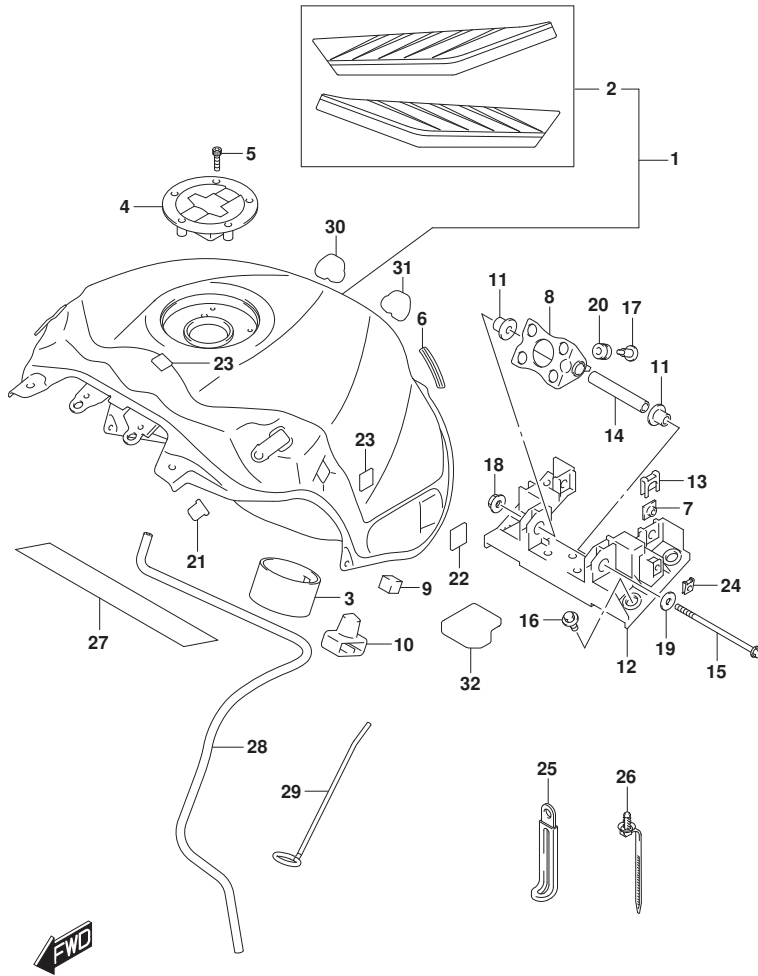


FIG.420B

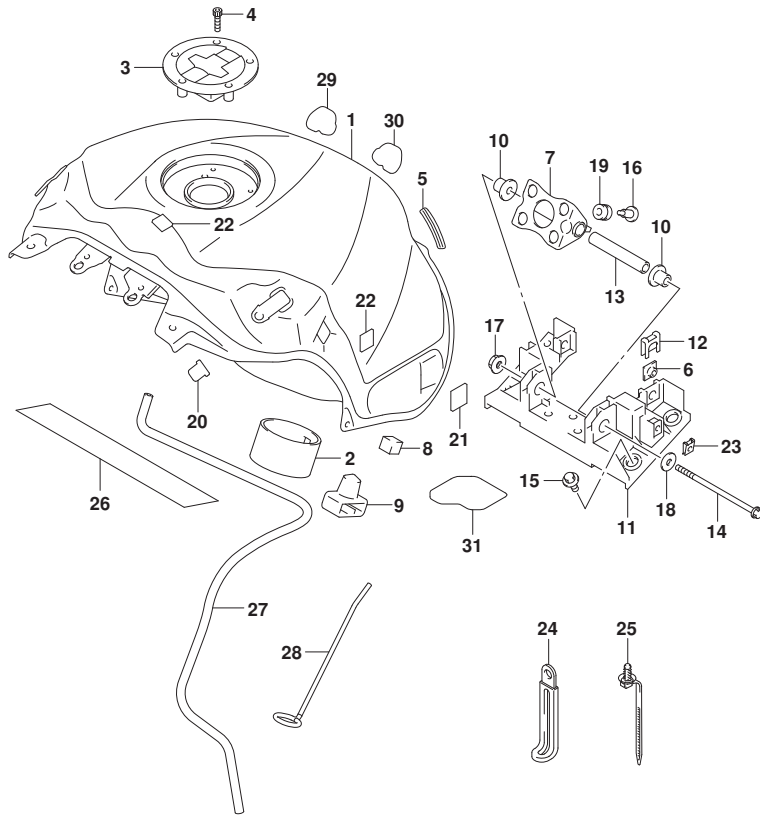


FIG.420B (1-F-2) FUEL TANK (GSX-R1000AL8 E21) (FOR YKV,YSF)

REF NO.	PART NO.	DESCRIPTION	Q'TY	REMARKS
1-1	44100-17K10-YKV	TANK ASSY, FUEL (BLACK)	1	
1-2	44100-17K10-YSF	TANK ASSY, FUEL (BLUE)	1	
2	44121-17K00	VESSEL, FUEL TANK INNER	1	
3	44200-17820	CAP SET, FUEL TANK	1	
4	44244-11J00	BOLT, FUEL TANK FILLER CAP	3	
5	44552-24B10	MOLDING, FUEL TANK REAR	2	
6	44523-47H00	NUT	2	
7	44530-17K00	BRACKET, FUEL TANK NO.1	1	
8	44541-17K00	CUSHION, SIDE	2	
9	44542-17K00	CUSHION, REAR	2	
10	44544-17K00	SPACER, FUEL TANK REAR BRACKET	2	
11	44551-17K00	BRACKET, FUEL TANK REAR	1	
12	44552-17K00	CLIP, NUT	2	
13	44561-18G00	SPACER, JOINT	1	
14	09103-06033	BOLT (6X125)	1	
15	09111-06081	BOLT (6X18)	4	
16	09139-06191	SCREW (6X22)	4	
17	09159-06086	NUT	1	
18	09160-06012	WASHER (6.5X22X1.6)	1	
19	09320-08071	CUSHION	4	
20	44543-17K00	CUSHION, FUEL TANK COVER	2	
21	44572-13G00	FASTENER, COVER SIDE	2	
22	44572-44G00	FASTENER, COVER FRONT	4	
23	09148-05052	NUT	2	
24	09404-06433	CLAMP (L:80)	1	
25	09407-17403	CLAMP (L:154)	1	
26	44283-17K00	PROTECTOR, FUEL TANK	1	
27	44423-17K01	HOSE, DRAIN	1	
28	44574-17K00	STAY, FUEL TANK	1	OPT
29	44285-17K00	PROTECTOR, FUEL TANK NO.2 RH	1	
30	44286-17K00	PROTECTOR, FUEL TANK NO.2 LH	1	
31	44284-17K00	PROTECTOR, FUEL TANK	1	



FIG.420C

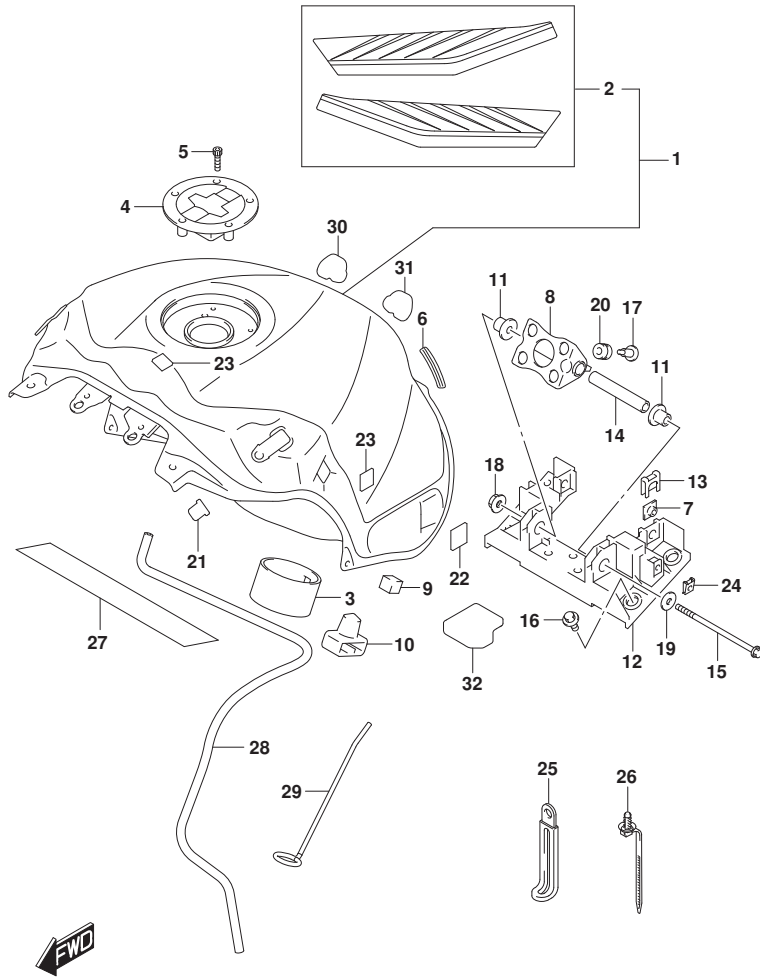


FIG.420C (1-F-3) FUEL TANK (GSX-R1000RZAL8 E21)

REF NO.	PART NO.	DESCRIPTION	Q'TY	REMARKS
1-1	44100-17KB0-YVB	TANK ASSY, FUEL (BLACK)	1	
1-2	44100-17KB0-YWW	TANK ASSY, FUEL (WHITE)	1	
2-1	68110-17K00-BQM	.TAPE SET, FUEL TANK	1	FOR YVB
2-2	68110-17K00-BQL	.TAPE SET, FUEL TANK	1	FOR YWW
3	44121-17K00	VESSEL, FUEL TANK INNER	1	
4	44200-17820	CAP SET, FUEL TANK	1	
5	44244-11J00	BOLT, FUEL TANK FILLER CAP	3	
6	44552-24B10	MOLDING, FUEL TANK REAR	2	
7	44523-47H00	NUT	2	
8	44530-17K00	BRACKET, FUEL TANK NO.1	1	
9	44541-17K00	CUSHION, SIDE	2	
10	44542-17K00	CUSHION, REAR	2	
11	44544-17K00	SPACER, FUEL TANK REAR BRACKET	2	
12	44551-17K00	BRACKET, FUEL TANK REAR	1	
13	44552-17K00	CLIP, NUT	2	
14	44561-18G00	SPACER, JOINT	1	
15	09103-06033	BOLT (6X125)	1	
16	09111-06081	BOLT (6X18)	4	
17	09139-06191	SCREW (6X22)	4	
18	09159-06086	NUT	1	
19	09160-06012	WASHER (6.5X22X1.6)	1	
20	09320-08071	CUSHION	4	
21	44543-17K00	CUSHION, FUEL TANK COVER	2	
22	44572-13G00	FASTENER, COVER SIDE	2	
23	44572-44G00	FASTENER, FUEL TANK COVER	4	
24	09148-05052	NUT	2	
25	09404-06433	CLAMP (L:80)	1	
26	09407-17403	CLAMP (L:154)	1	
27	44283-17K00	PROTECTOR, FUEL TANK	1	
28	44423-17K01	HOSE, DRAIN	1	
29	44574-17K00	STAY, FUEL TANK	1	OPT
30	44285-17K00	PROTECTOR, FUEL TANK NO.2 RH	1	
31	44286-17K00	PROTECTOR, FUEL TANK NO.2 LH	1	
32	44284-17K00	PROTECTOR, FUEL TANK	1	

FIG.420D

FIG.420D (1-F-4) FUEL TANK (GSX-R1000RAL8 E21)

REF NO.	PART NO.	DESCRIPTION	Q'TY	REMARKS
1	44100-17K10-YSF	TANK ASSY, FUEL (BLUE)	1	
2	44121-17K00	VESSEL, FUEL TANK INNER	1	
3	44200-17820	CAP SET, FUEL TANK	1	
4	44244-11J00	BOLT, FUEL TANK FILLER CAP	3	
5	44552-24B10	MOLDING, FUEL TANK REAR	2	
6	44523-47H00	NUT	2	
7	44530-17K00	BRACKET, FUEL TANK NO.1	1	
8	44541-17K00	CUSHION, SIDE	2	
9	44542-17K00	CUSHION, REAR	2	
10	44544-17K00	SPACER, FUEL TANK REAR BRACKET	2	
11	44551-17K00	BRACKET, FUEL TANK REAR	1	
12	44552-17K00	CLIP, NUT	2	
13	44561-18G00	SPACER, JOINT	1	
14	09103-06033	BOLT (6X125)	1	
15	09111-06081	BOLT (6X18)	4	
16	09139-06191	SCREW (6X22)	4	
17	09159-06086	NUT	1	
18	09160-06012	WASHER (6.5X22X1.6)	1	
19	09320-08071	CUSHION	4	
20	44543-17K00	CUSHION, FUEL TANK COVER	2	
21	44572-13G00	FASTENER, COVER SIDE	2	
22	44572-44G00	FASTENER, COVER FRONT	4	
23	09148-05052	NUT	2	
24	09404-06433	CLAMP (L:80)	1	
25	09407-17403	CLAMP (L:154)	1	
26	44283-17K00	PROTECTOR, FUEL TANK	1	
27	44423-17K01	HOSE, DRAIN	1	
28	44574-17K00	STAY, FUEL TANK	1	OPT
29	44285-17K00	PROTECTOR, FUEL TANK NO.2 RH	1	
30	44286-17K00	PROTECTOR, FUEL TANK NO.2 LH	1	
31	44284-17K00	PROTECTOR, FUEL TANK	1	

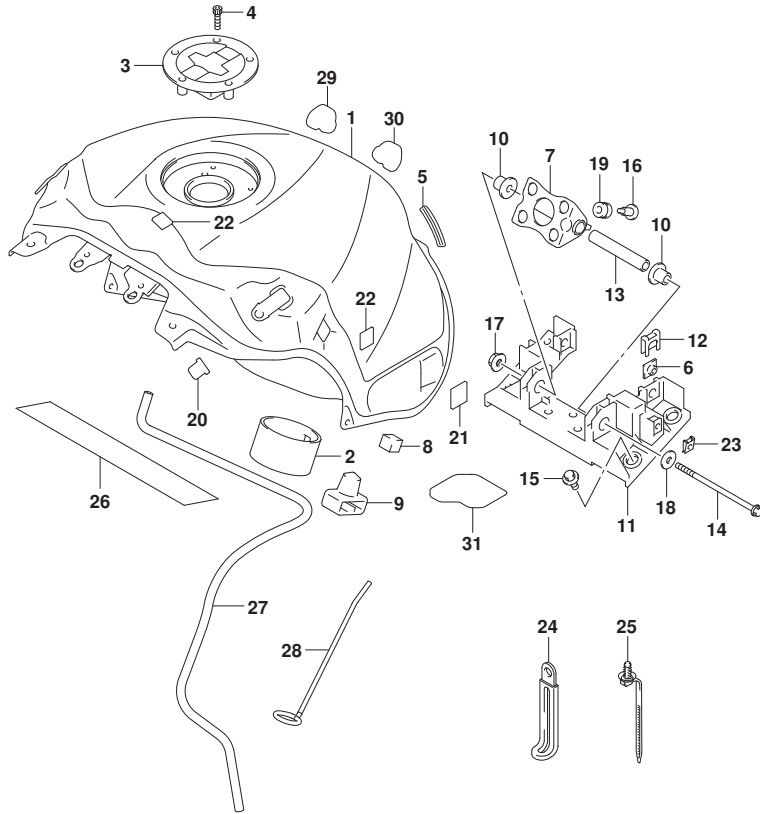


FIG.422A

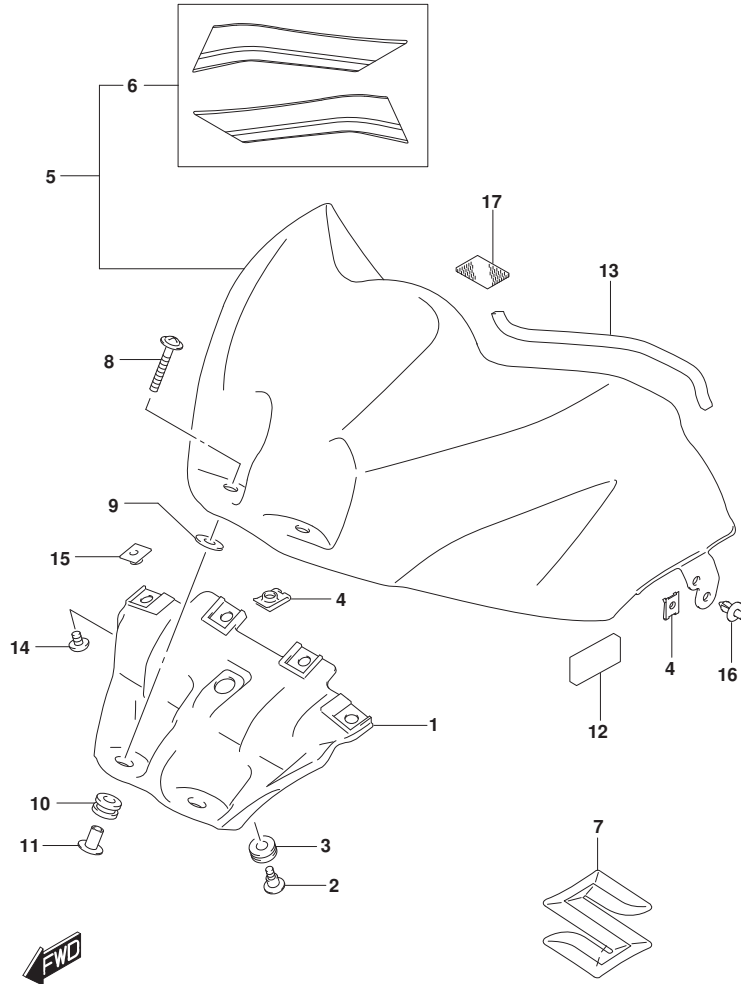
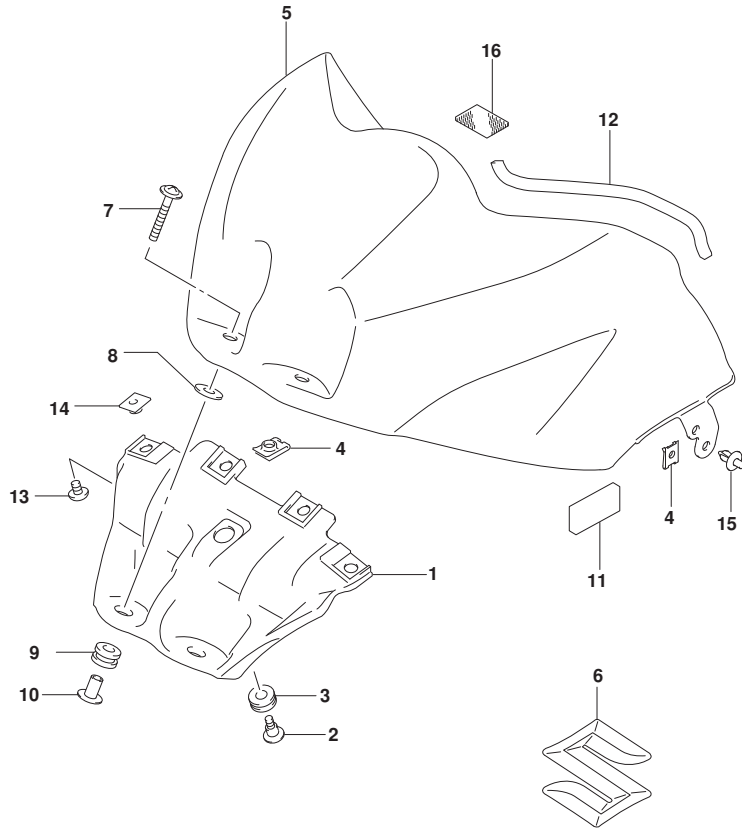


FIG.422A (1-F-5) FUEL TANK FRONT COVER (GSX-R1000AL8 E21) (FOR YWW)

REF NO.	PART NO.	DESCRIPTION	Q'TY	REMARKS
1	44521-17K00	BRACKET, FRONT	1	
2	09139-05078	SCREW (5X16.4)	1	
3	09320-08021	CUSHION	1	
4	09148-05052	NUT	3	
5	44290-17KA0-YWW	COVER, FRONT (WHITE)	1	
6	68120-17K00-BQL	.TAPE SET, FUEL TANK COVER	1	
7	68111-47HA0	EMBLEM "S"	2	
8	09139-06210	SCREW	2	
9	09160-06012	WASHER (6.5X22X1.6)	2	
10	09320-10050	CUSHION	2	
11	44512-17K00	SPACER	2	
12	33652-20C00	PROTECTOR, FUEL TANK COVER	2	CUT AS REQUIRED
13	44277-17K00	CUSHION, FUEL TANK COVER	2	
14	09139-06181	SCREW (6X10)	4	
15	44523-47H00	NUT	4	
16	09409-06314	CLIP	2	
17	44572-44G00	FASTENER, COVER FRONT	4	

FIG.422B

FIG.422B (1-F-6) FUEL TANK FRONT COVER (GSX-R1000AL8 E21) (FOR YKV)



REF NO.	PART NO.	DESCRIPTION	Q'TY	REMARKS
1	44521-17K00	BRACKET, FRONT	1	
2	09139-05078	SCREW (5X16.4)	1	
3	09320-08021	CUSHION	1	
4	09148-05052	NUT	3	
5	44290-17K00-YKV	COVER, FRONT (BLACK)	1	
6	68111-47HA0	EMBLEM "S"	2	
7	09139-06210	SCREW	2	
8	09160-06012	WASHER (6.5X22X1.6)	2	
9	09320-10050	CUSHION	2	
10	44512-17K00	SPACER	2	
11	33652-20C00	PROTECTOR, FUEL TANK COVER	2	CUT AS REQUIRED
12	44277-17K00	CUSHION, FUEL TANK COVER	2	
13	09139-06181	SCREW (6X10)	4	
14	44523-47H00	NUT	4	
15	09409-06314	CLIP	2	
16	44572-44G00	FASTENER, COVER FRONT	4	

FIG.422C

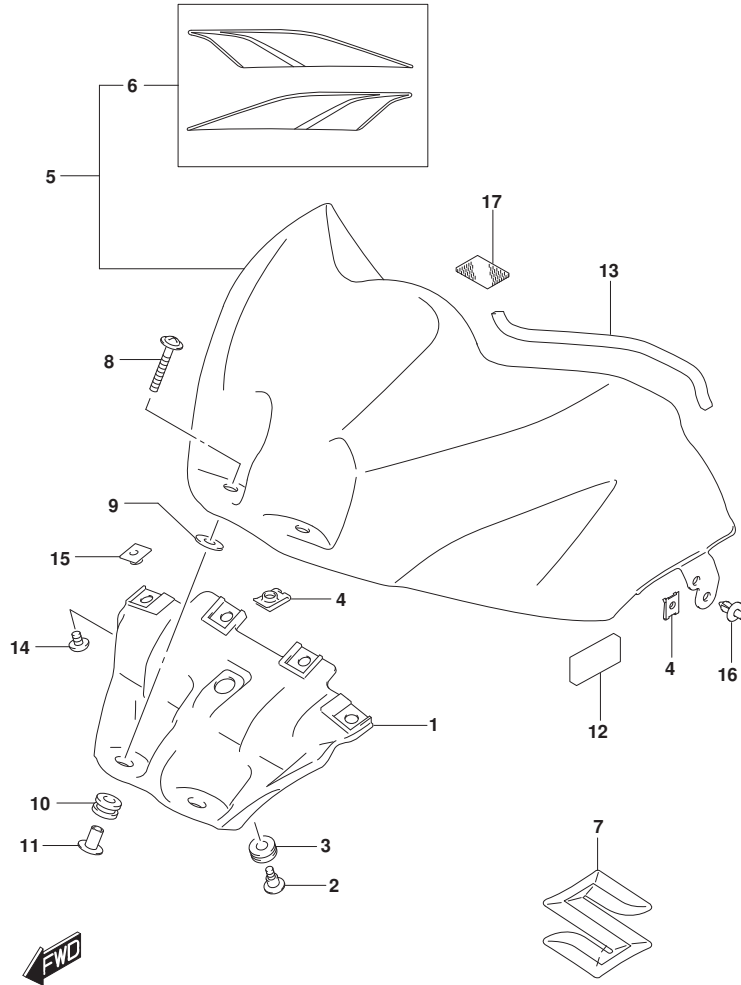


FIG.422C (1-F-7) FUEL TANK FRONT COVER (GSX-R1000AL8 E21) (FOR YSF)

REF NO.	PART NO.	DESCRIPTION	Q'TY	REMARKS
1	44521-17K00	BRACKET, FRONT	1	
2	09139-05078	SCREW (5X16.4)	1	
3	09320-08021	CUSHION	1	
4	09148-05052	NUT	3	
5	44290-17KB0-YSF	COVER, FRONT (BLUE)	1	
6	68120-17K10-A3F	.TAPE SET, FUEL TANK COVER	1	
7	68111-47HA0	EMBLEM "S"	2	
8	09139-06210	SCREW	2	
9	09160-06012	WASHER (6.5X22X1.6)	2	
10	09320-10050	CUSHION	2	
11	44512-17K00	SPACER	2	
12	33652-20C00	PROTECTOR, FUEL TANK COVER	2	CUT AS REQUIRED
13	44277-17K00	CUSHION, FUEL TANK COVER	2	
14	09139-06181	SCREW (6X10)	4	
15	44523-47H00	NUT	4	
16	09409-06314	CLIP	2	
17	44572-44G00	FASTENER, COVER FRONT	4	

FIG.422D

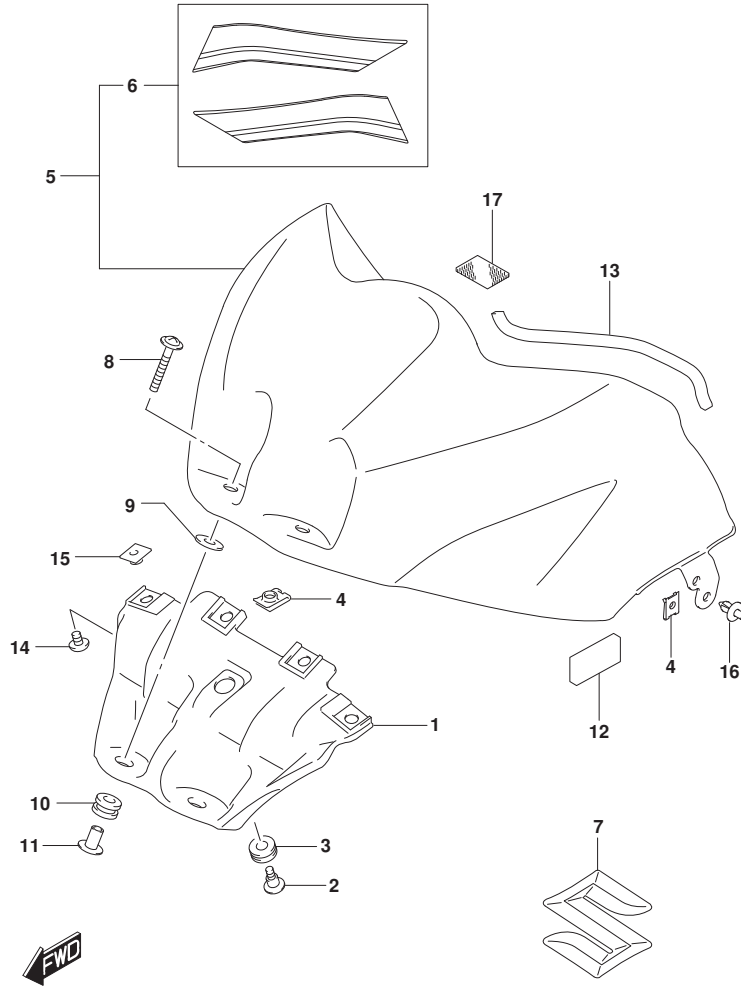


FIG.422D (1-F-8) FUEL TANK FRONT COVER (GSX-R1000RZAL8 E21)

REF NO.	PART NO.	DESCRIPTION	Q'TY	REMARKS
1	44521-17K00	BRACKET, FRONT	1	
2	09139-05078	SCREW (5X16.4)	1	
3	09320-08021	CUSHION	1	
4	09148-05052	NUT	3	
5-1	44290-17KA0-YVB	COVER, FRONT (BLACK)	1	
5-2	44290-17KA0-YWW	COVER, FRONT (WHITE)	1	
6-1	68120-17K00-BQM	.TAPE SET, FUEL TANK COVER	1	FOR YVB
6-2	68120-17K00-BQL	.TAPE SET, FUEL TANK COVER	1	FOR YWW
7	68111-47HA0	EMBLEM "S"	2	
8	09139-06210	SCREW	2	
9	09160-06012	WASHER (6.5X22X1.6)	2	
10	09320-10050	CUSHION	2	
11	44512-17K00	SPACER	2	
12	33652-20C00	PROTECTOR, FUEL TANK COVER	2	CUT AS REQUIRED
13	44277-17K00	CUSHION, FUEL TANK COVER	2	
14	09139-06181	SCREW (6X10)	4	
15	44523-47H00	NUT	4	
16	09409-06314	CLIP	2	
17	44572-44G00	FASTENER, COVER	4	

FIG.422E

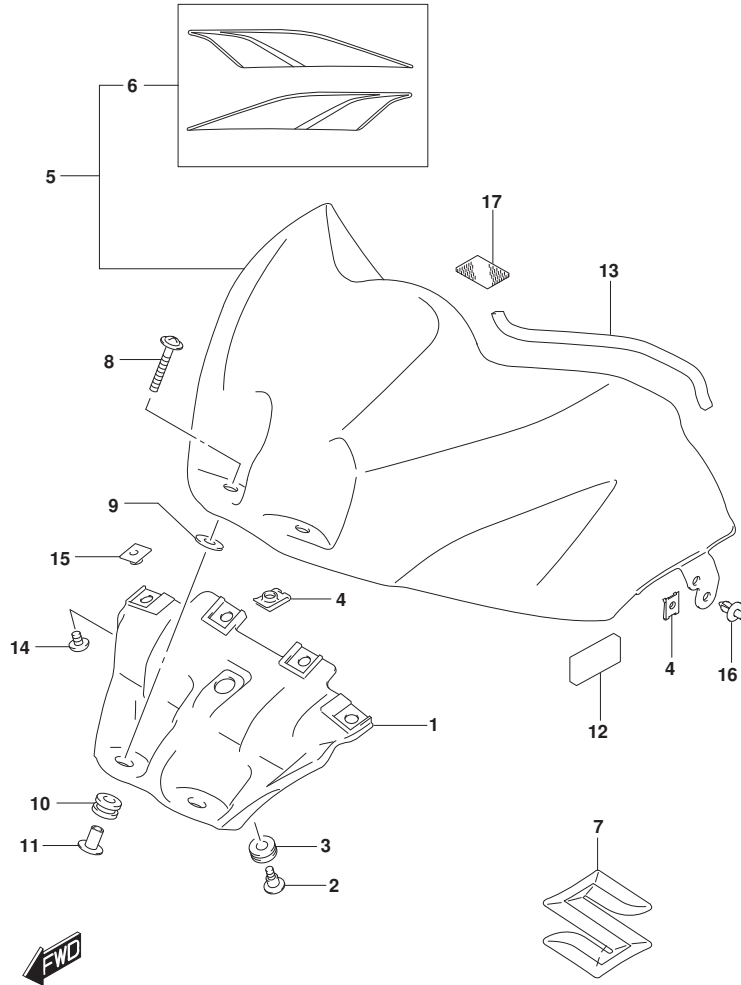


FIG.422E (1-F-9) FUEL TANK FRONT COVER (GSX-R1000AL8 E21)

REF NO.	PART NO.	DESCRIPTION	Q'TY	REMARKS
1	44521-17K00	BRACKET, FRONT	1	
2	09139-05078	SCREW (5X16.4)	1	
3	09320-08021	CUSHION	1	
4	09148-05052	NUT	3	
5	44290-17KB0-YSF	COVER, FRONT (BLUE)	1	
6	68120-17K10-A3F	.TAPE SET, FUEL TANK COVER	1	
7	68111-47HA0	EMBLEM "S"	2	
8	09139-06210	SCREW	2	
9	09160-06012	WASHER (6.5X22X1.6)	2	
10	09320-10050	CUSHION	2	
11	44512-17K00	SPACER	2	
12	33652-20C00	PROTECTOR, FUEL TANK COVER	2	CUT AS REQUIRED
13	44277-17K00	CUSHION, FUEL TANK COVER	2	
14	09139-06181	SCREW (6X10)	4	
15	44523-47H00	NUT	4	
16	09409-06314	CLIP	2	
17	44572-44G00	FASTENER, COVER FRONT	4	

FIG.427A

FIG.427A (1-F-10) EVAP SYSTEM

REF NO.	PART NO.	DESCRIPTION	Q'TY	REMARKS
1	18560-04K00	CANISTER ASSY, CHARCOAL	1	
2	18571-17K00	BRACKET, CANISTER	1	
3	01550-0616A	BOLT	2	
4	18572-17K00	CUSHION, CANISTER	1	
5	18117-52G10	VALVE, CANISTER PURGE	1	
6	18573-17K00	BRACKET, PURGE VALVE	1	
7	08316-1006A	NUT	1	
8	18561-17K00	HOSE, SURGE	1	
9	18562-17K00	HOSE, PURGE NO.1	1	
10	18563-17K00	HOSE, PURGE NO.2	1	
11	09401-10201-XC0	CLIP	1	
12	09401-10409	CLIP	4	
13	09401-11413	CLIP	1	

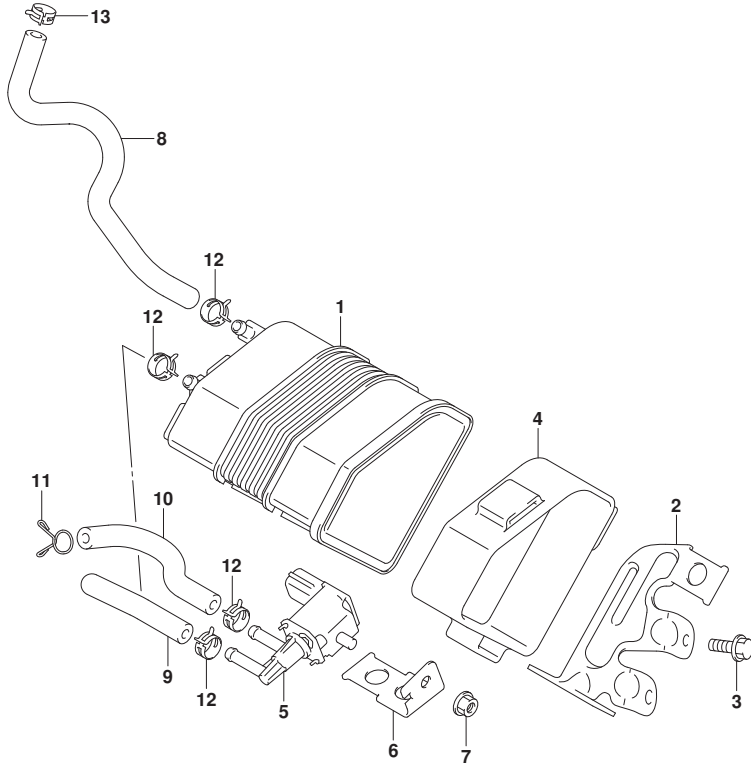


FIG.445A

FIG.445A (1-F-11) FRAME COVER (GSX-R1000AL8 E21) (FOR YKV,YWW)

REF NO.	PART NO.	DESCRIPTION	Q'TY	REMARKS
1-1	47110-17K00-4UX	COVER, FRAME RH (BLACK)	1	FOR YKV
1-2	47110-17K10-YWW	COVER, FRAME RH (WHITE)	1	FOR YWW
2	33652-17K10	.CUSHION	1	
3-1	68135-17K00-FNF	.TAPE, FRAME COVER RH (BLUE/BLACK)	1	FOR 4UX
3-2	68135-17K10-BQL	.TAPE, FRAME COVER RH	1	FOR YWW
4-1	47210-17K00-4UX	COVER, FRAME LH (BLACK)	1	FOR YKV
4-2	47210-17K10-YWW	COVER, FRAME LH (WHITE)	1	FOR YWW
5-1	68145-17K00-FNF	.TAPE, FRAME COVER RH (BLUE/BLACK)	1	FOR 4UX
5-2	68145-17K10-BQL	.TAPE, FRAME COVER RH	1	FOR YWW
6	47311-17K00	COVER, FRAME CENTER FRONT	1	
7-1	47411-17K00-YKV	COVER, FRAME CENTER REAR (BLACK)	1	
7-2	47411-17K00-YWW	COVER, FRAME CENTER REAR (WHITE)	1	
8	44173-14J00	CUSHION	4	
9	47312-37H00	CUSHION, FRAME COVER RR	2	
10	94478-14J00	CUSHION, FRAME COVER	2	
11	09139-06139	SCREW (6X16)	2	
12	09139-05092	SCREW	4	
13	09148-05052	NUT	2	
14	09180-06283	SPACER (6.5X10X7)	2	
15	09250-06012	PLUG (OD:10)	2	
16	09409-06328	CLIP	6	
17	03541-0516A	SCREW	2	

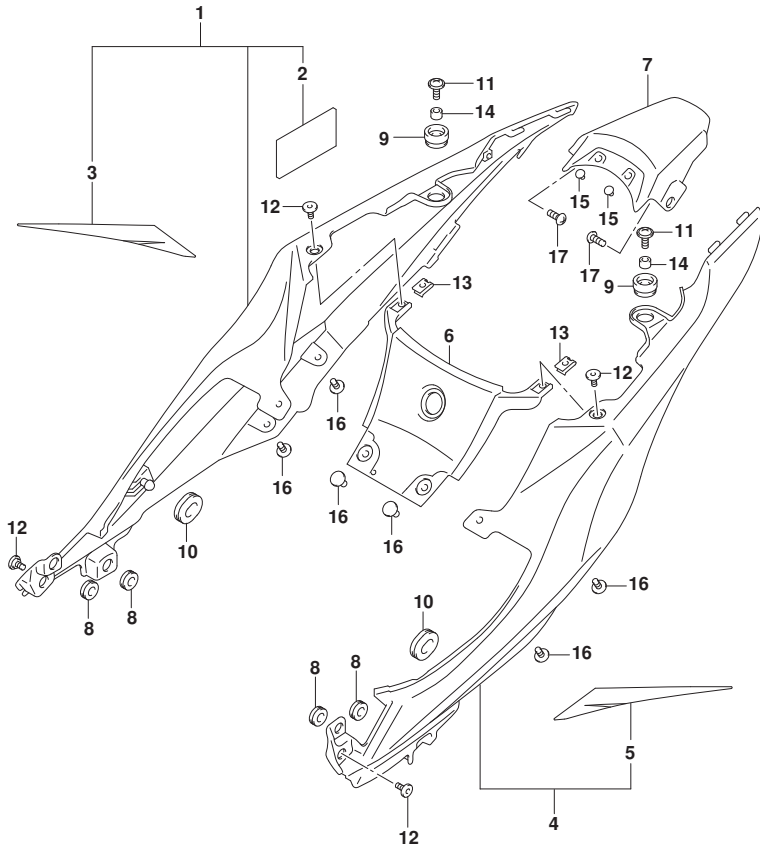


FIG.445B

FIG.445B (1-F-12) FRAME COVER (GSX-R1000AL8 E21) (FOR YSF)

REF NO.	PART NO.	DESCRIPTION	Q'TY	REMARKS
1	47110-17K40-YSF	COVER, FRAME RH (BLUE)	1	
2	33652-17K10	.CUSHION	1	
3	68135-17K30-A3F	.TAPE, FRAME COVER RH	1	
4	47210-17K40-YSF	COVER, FRAME LH (BLUE)	1	
5	68145-17K30-A3F	.TAPE, FRAME COVER RH	1	
6	47311-17K00	COVER, FRAME CENTER FRONT	1	
7	47411-17K00-YSF	COVER, FRAME CENTER REAR (BLUE)	1	
8	44173-14J00	CUSHION	4	
9	47312-37H00	CUSHION, FRAME COVER RR	2	
10	94478-14J00	CUSHION, FRAME COVER	2	
11	09139-06139	SCREW (6X16)	2	
12	09139-05092	SCREW	4	
13	09148-05052	NUT	2	
14	09180-06283	SPACER (6.5X10X7)	2	
15	09250-06012	PLUG (OD:10)	2	
16	09409-06328	CLIP	6	
17	03541-0516A	SCREW	2	

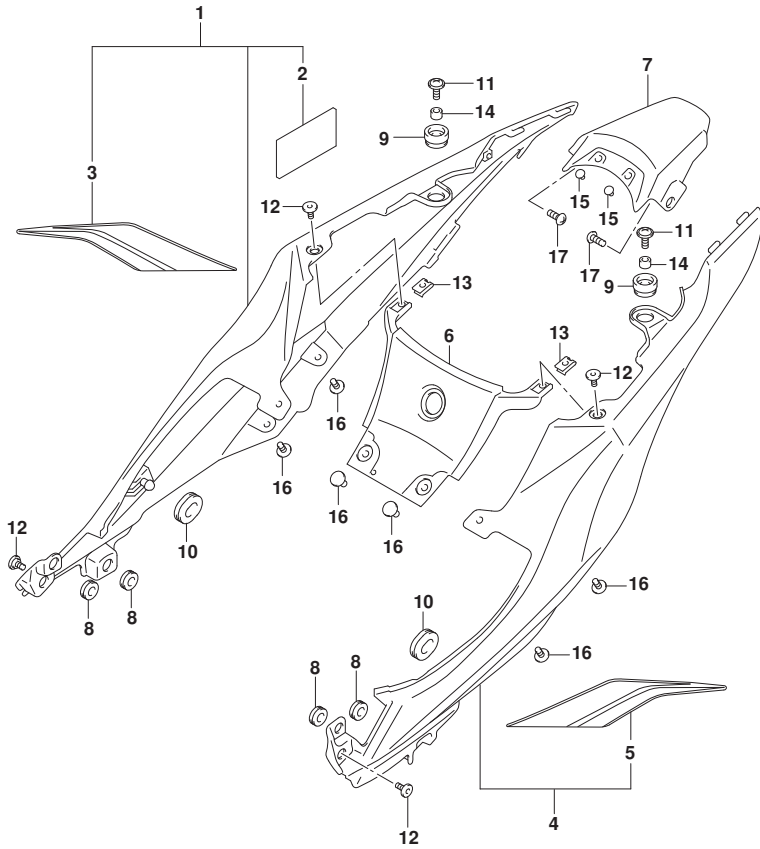


FIG.445C

FIG.445C (1-F-13) FRAME COVER (GSX-R1000RZAL8 E21)

REF NO.	PART NO.	DESCRIPTION	Q'TY	REMARKS
1-1	47110-17K30-YVB	COVER, FRAME RH (BLACK)	1	
1-2	47110-17K30-YWW	COVER, FRAME RH (WHITE)	1	
2	33652-17K10	.CUSHION	1	
3-1	68131-17K00-BQP	.EMBLEM, FRAME COVER	1	FOR YVB
3-2	68131-17K00-BQN	.EMBLEM, FRAME COVER	1	FOR YWW
4-1	68135-17K10-BQM	.TAPE, FRAME COVER RH	1	FOR YVB
4-2	68135-17K10-BQL	.TAPE, FRAME COVER RH	1	FOR YWW
5-1	47210-17K30-YVB	COVER, FRAME LH (BLACK)	1	
5-2	47210-17K30-YWW	COVER, FRAME LH (WHITE)	1	
6-1	68131-17K00-BQP	.EMBLEM, FRAME COVER	1	FOR YVB
6-2	68131-17K00-BQN	.EMBLEM, FRAME COVER	1	FOR YWW
7-1	68145-17K10-BQM	.TAPE, FRAME COVER LH	1	FOR YVB
7-2	68145-17K10-BQL	.TAPE, FRAME COVER LH	1	FOR YWW
8	47311-17K00	COVER, FRAME CENTER FRONT	1	
9-1	47411-17K00-YVB	COVER, FRAME CENTER REAR (BLACK)	1	
9-2	47411-17K00-YWW	COVER, FRAME CENTER REAR (WHITE)	1	
10	44173-14J00	CUSHION	4	
11	47312-37H00	CUSHION, FRAME COVER RR	2	
12	94478-14J00	CUSHION, FRAME COVER	2	
13	09139-06139	SCREW (6X16)	2	
14	09139-05092	SCREW	4	
15	09148-05052	NUT	2	
16	09180-06283	SPACER (6.5X10X7)	2	
17	09250-06012	PLUG (OD:10)	2	
18	09409-06328	CLIP	6	
19	03541-0516A	SCREW	2	

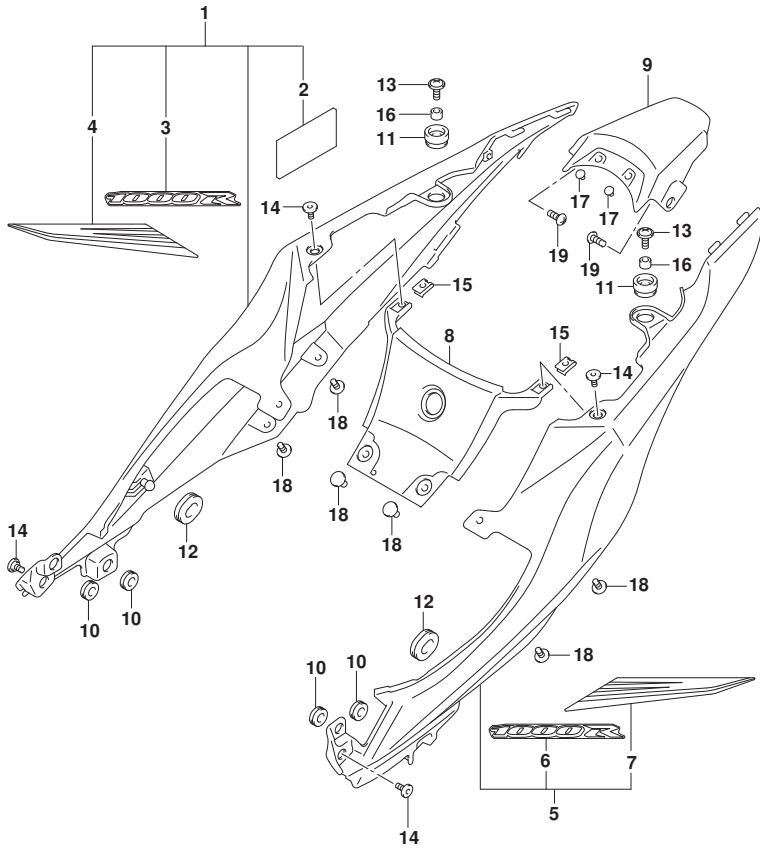


FIG.445D

FIG.445D (1-F-14) FRAME COVER (GSX-R1000RAL8 E21)

REF NO.	PART NO.	DESCRIPTION	Q'TY	REMARKS
1	47110-17K50-YSF	COVER, FRAME RH (BLUE)	1	
2	33652-17K10	.CUSHION	1	
3	68131-17K00-BJ8	.EMBLEM, FRAME COVER	1	
4	68135-17K30-A3F	.TAPE, FRAME COVER RH	1	
5	47210-17K50-YSF	COVER, FRAME LH (BLUE)	1	
6	68131-17K00-BJ8	.EMBLEM, FRAME COVER	1	
7	68145-17K30-A3F	.TAPE, FRAME COVER RH	1	
8	47311-17K00	COVER, FRAME CENTER FRONT	1	
9	47411-17K00-YSF	COVER, FRAME CENTER REAR (BLUE)	1	
10	44173-14J00	CUSHION	4	
11	47312-37H00	CUSHION, FRAME COVER RR	2	
12	94478-14J00	CUSHION, FRAME COVER	2	
13	09139-06139	SCREW (6X16)	2	
14	09139-05092	SCREW	4	
15	09148-05052	NUT	2	
16	09180-06283	SPACER (6.5X10X7)	2	
17	09250-06012	PLUG (OD:10)	2	
18	09409-06328	CLIP	6	
19	03541-0516A	SCREW	2	

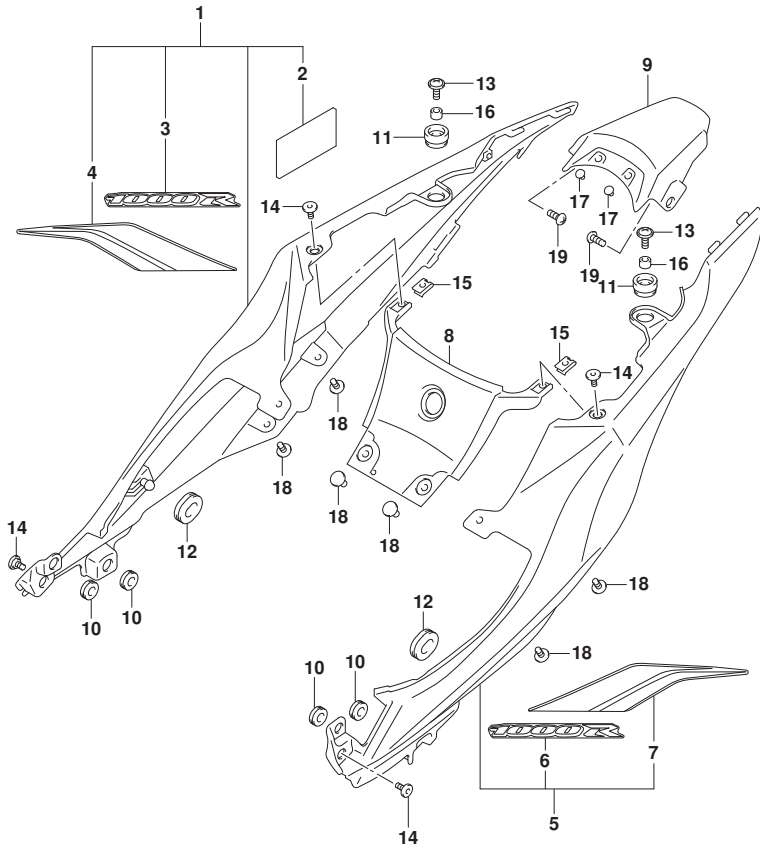


FIG.448A

FIG.448A (1-F-15) SIDE LOWER COVER (GSX-R1000AL8 E21)

REF NO.	PART NO.	DESCRIPTION	Q'TY	REMARKS
1	47511-17K00	COVER, FRAME FRONT RH	1	
2	47611-17K00	COVER, FRAME FRONT LH	1	
3-1	47710-17K00-YKV	COVER, FRAME FRONT NO.2 RH (BLACK)	1	
3-2	47710-17K00-YWW	COVER, FRAME FRONT NO.2 RH (WHITE)	1	
3-3	47710-17K00-YSF	COVER, FRAME FRONT NO.2 RH (BLUE)	1	
4	47122-17K00	.CUSHION, FRAME COVER NO.2	1	
5	47123-17K00	.CUSHION, FRAME COVER NO.3	1	
6-1	47810-17K00-YKV	COVER, FRAME FRONT NO.2 LH (BLACK)	1	
6-2	47810-17K00-YWW	COVER, FRAME FRONT NO.2 LH (WHITE)	1	
6-3	47810-17K00-YSF	COVER, FRAME FRONT NO.2 LH (BLUE)	1	
7	47122-17K00	.CUSHION, FRAME COVER NO.2	1	
8	47123-17K00	.CUSHION, FRAME COVER NO.3	1	
9	33652-38F20	CUSHION	2	
10	47121-17K00	CUSHION, FRAME COVER UPPER	2	
11	09139-05092	SCREW	2	
12	09148-05045	NUT	2	
13	03541-0516A	SCREW	2	
14	44572-13G00	FASTENER	2	
15	33652-47F00	CUSHION	2	

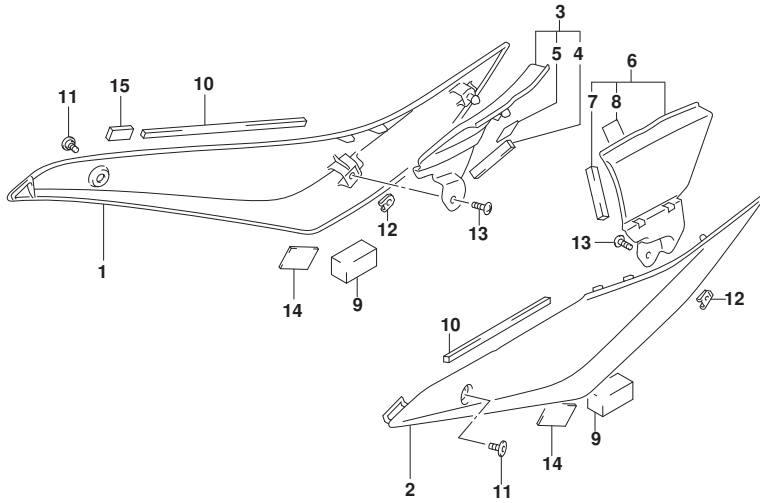


FIG.448B

FIG.448B (1-G-2) SIDE LOWER COVER (GSX-R1000RZAL8 E21)

REF NO.	PART NO.	DESCRIPTION	Q'TY	REMARKS
1	47511-17K00	COVER, FRAME FRONT RH	1	
2	47611-17K00	COVER, FRAME FRONT LH	1	
3-1	47710-17K00-YVB	COVER, FRAME FRONT NO.2 RH (BLACK)	1	
3-2	47710-17K00-YWW	COVER, FRAME FRONT NO.2 RH (WHITE)	1	
4	47122-17K00	.CUSHION, FRAME COVER NO.2	1	
5	47123-17K00	.CUSHION, FRAME COVER NO.3	1	
6-1	47810-17K00-YVB	COVER, FRAME FRONT NO.2 LH (BLACK)	1	
6-2	47810-17K00-YWW	COVER, FRAME FRONT NO.2 LH (WHITE)	1	
7	47122-17K00	.CUSHION, FRAME COVER NO.2	1	
8	47123-17K00	.CUSHION, FRAME COVER NO.3	1	
9	33652-38F20	CUSHION	2	
10	47121-17K00	CUSHION, FRAME COVER UPPER	2	
11	09139-05092	SCREW	2	
12	09148-05045	NUT	2	
13	03541-0516A	SCREW	2	
14	44572-13G00	FASTENER	2	
15	33652-47F00	CUSHION	2	

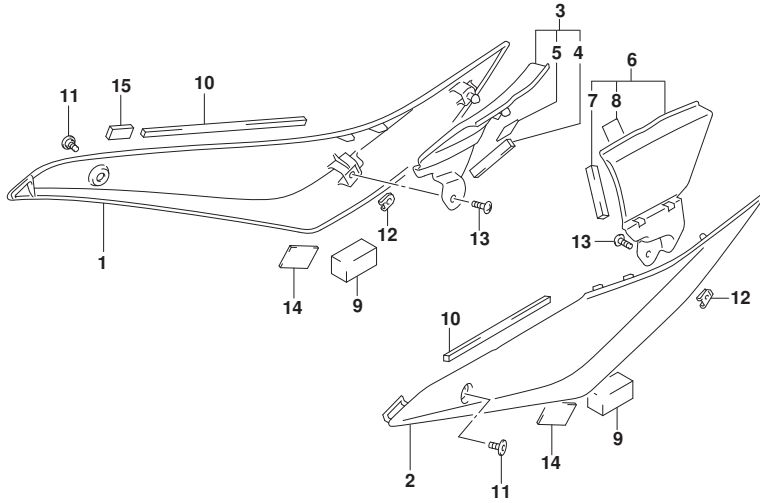


FIG.448C

FIG.448C (1-G-3) SIDE LOWER COVER (GSX-R1000RAL8 E21)

REF NO.	PART NO.	DESCRIPTION	Q'TY	REMARKS
1	47511-17K00	COVER, FRAME FRONT RH	1	
2	47611-17K00	COVER, FRAME FRONT LH	1	
3	47710-17K00-YSF	COVER, FRAME FRONT NO.2 RH (BLUE)	1	
4	47122-17K00	.CUSHION, FRAME COVER NO.2	1	
5	47123-17K00	.CUSHION, FRAME COVER NO.3	1	
6	47810-17K00-YSF	COVER, FRAME FRONT NO.2 LH (BLUE)	1	
7	47122-17K00	.CUSHION, FRAME COVER NO.2	1	
8	47123-17K00	.CUSHION, FRAME COVER NO.3	1	
9	33652-38F20	CUSHION	2	
10	47121-17K00	CUSHION, FRAME COVER UPPER	2	
11	09139-05092	SCREW	2	
12	09148-05045	NUT	2	
13	03541-0516A	SCREW	2	
14	44572-13G00	FASTENER	2	
15	33652-47F00	CUSHION	2	

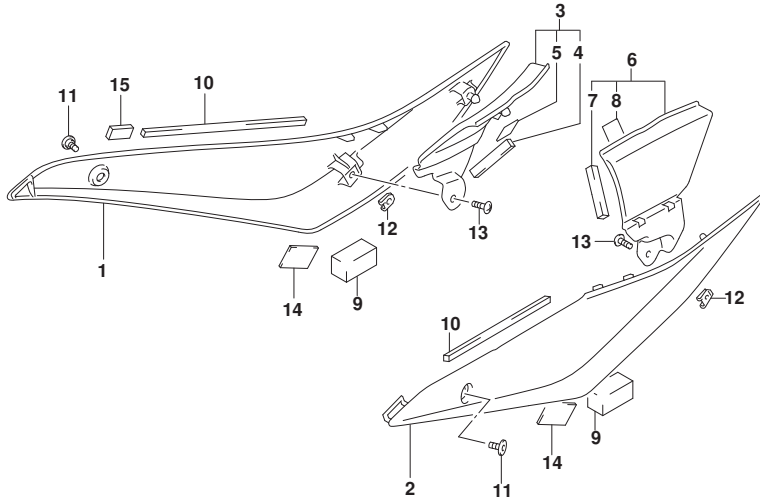


FIG.460A

FIG.460A (1-G-4) FRONT FENDER (GSX-R1000AL8 E21)

REF NO.	PART NO.	DESCRIPTION	Q'TY	REMARKS
1-1	53111-17K00-YKV	FENDER, FRONT (BLACK)	1	
1-2	53111-17K00-YVW	FENDER, FRONT (WHITE)	1	
1-3	53111-17K00-YSF	FENDER, FRONT (BLUE)	1	
2	53121-33E00	WASHER, FRONT FENDER	2	
3	09139-06206	SCREW	2	
4	09320-09016	CUSHION	2	
5	35950-14A11	REFLEX REFLECTOR ASSY, FR SIDE	2	
6	09160-08043	WASHER (8.5X18X1)	2	
7	35952-17K01	BOLT, FRONT SIDE REFL	2	

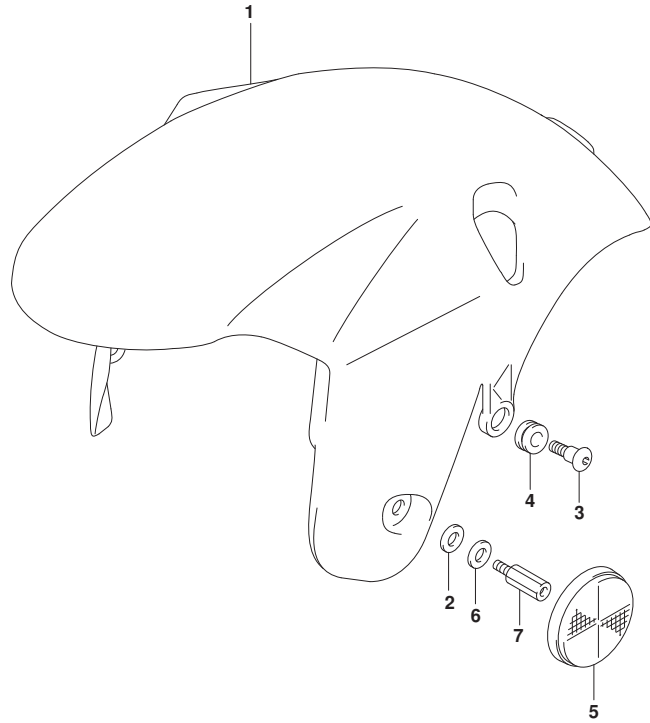


FIG.460B

FIG.460B (1-G-5) FRONT FENDER (GSX-R1000RZAL8 E21)

REF NO.	PART NO.	DESCRIPTION	Q'TY	REMARKS
1-1	53111-17K00-YVB	FENDER, FRONT (BLACK)	1	
1-2	53111-17K00-YWW	FENDER, FRONT (WHITE)	1	
2	53121-33E00	WASHER, FRONT FENDER	2	
3	09111-06092	BOLT (6X19)	2	
4	09320-09016	CUSHION	2	
5	35950-14A11	REFLEX REFLECTOR ASSY, FR SIDE	2	
6	09160-08043	WASHER (8.5X18X1)	2	
7	35952-17K01	BOLT, FRONT SIDE REFL	2	

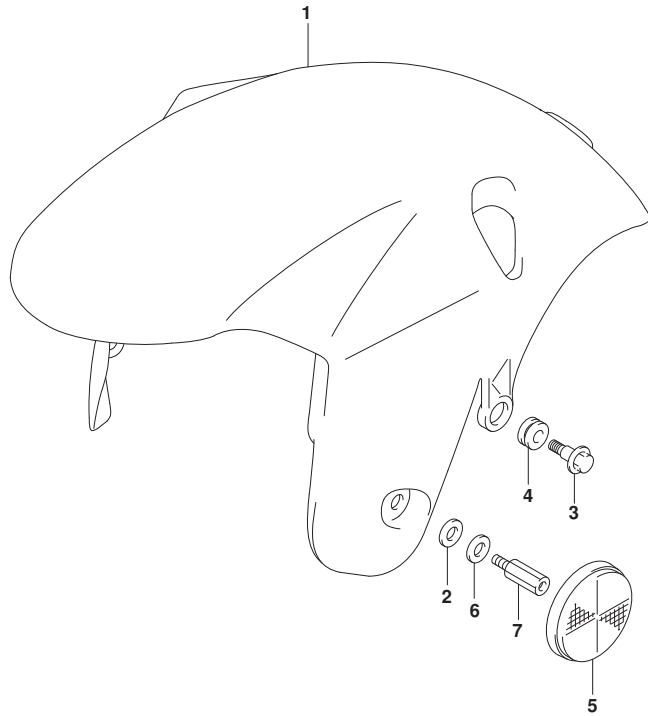


FIG.460C

FIG.460C (1-G-6) FRONT FENDER (GSX-R1000AL8 E21)

REF NO.	PART NO.	DESCRIPTION	Q'TY	REMARKS
1	53111-17K00-YSF	FENDER, FRONT (BLUE)	1	
2	53121-33E00	WASHER, FRONT FENDER	2	
3	09111-06092	BOLT (6X19)	2	
4	09320-09016	CUSHION	2	
5	35950-14A11	REFLEX REFLECTOR ASSY, FR SIDE	2	
6	09160-08043	WASHER (8.5X18X1)	2	
7	35952-17K01	BOLT, FRONT SIDE REFL	2	

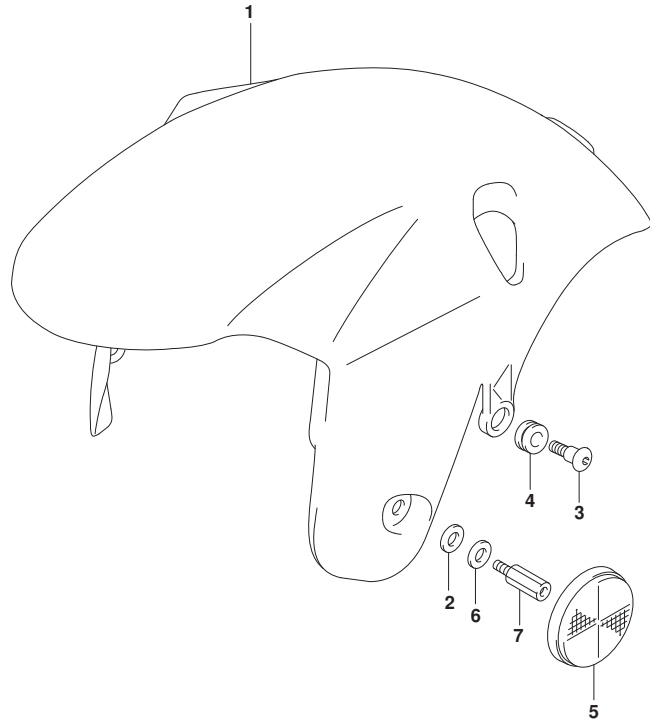
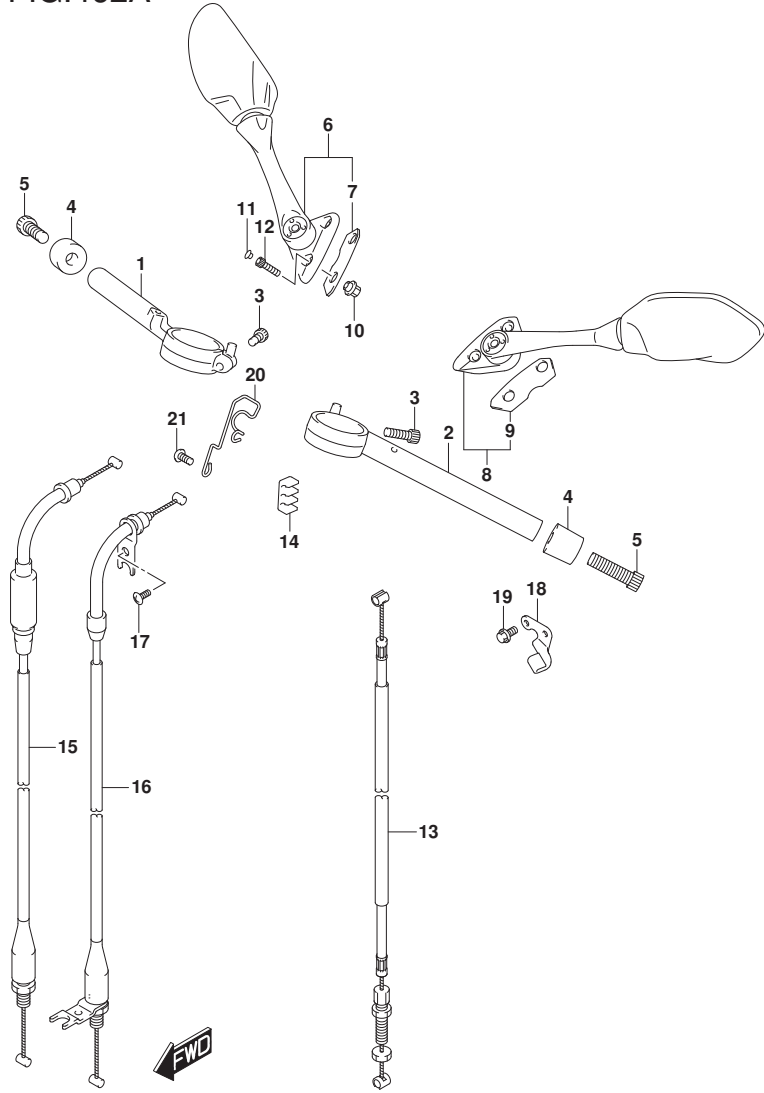


FIG.462A



GSX-R1000AL8_E21_462A
HANDLEBAR

FIG.462A (1-G-7) HANDLEBAR

REF NO.	PART NO.	DESCRIPTION	Q'TY	REMARKS
1	56111-17K00	HANDLEBAR, RH	1	
2	56151-17K00	HANDLEBAR, LH	1	
3	09106-08185	BOLT (8X32)	2	
4	56278-17K00	BALANCER, HANDLEBAR	2	
5	09106-12001	BOLT (12X45)	2	
6	56500-17K00	MIRROR ASSY, REAR VIEW RH	1	
7	56525-17K00	.CUSHION, MIRROR	1	
8	56600-17K00	MIRROR ASSY, REAR VIEW LH	1	
9	56525-17K00	.CUSHION, MIRROR	1	
10	56619-41G01	NUT	4	
11	09250-05009	CAP (OD:10)	4	
12	07130-0620B	BOLT	4	
13	58200-17K00	CABLE ASSY, CLUTCH	1	
14	58285-17K00	CLAMP	1	
15	58300-17K00	CABLE ASSY, THROTTLE NO.1	1	
16	58300-17K10	CABLE ASSY, THROTTLE NO.2	1	
17	09125-05042	SCREW (5X10)	2	
18	58635-17K00	STOPPER, CLUTCH CABLE	1	
19	01550-0616A	BOLT	2	
20	58621-17K00	GUIDE, CABLE	1	
21	09139-06214	SCREW (6X16)	2	

GSX-R1000AL8_E21

FIG.467A

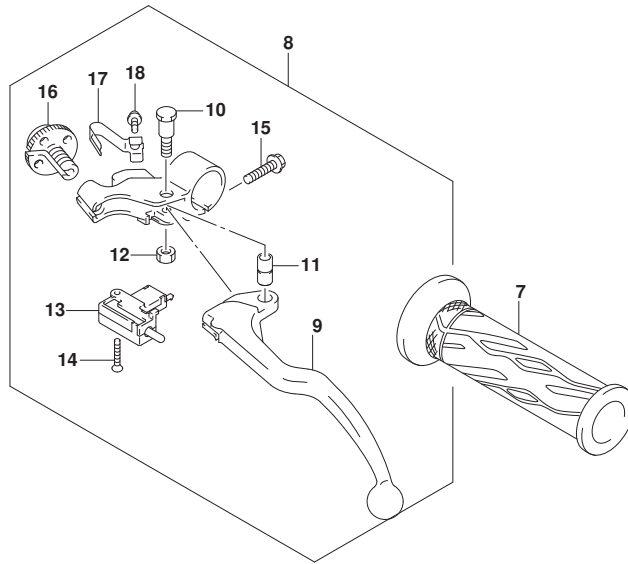
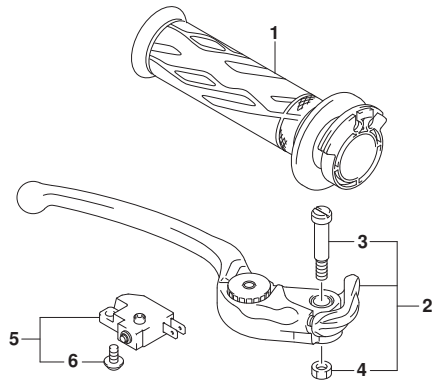


FIG.467A (1-G-8) HANDLE LEVER

REF NO.	PART NO.	DESCRIPTION	Q'TY	REMARKS
1	57110-21H02	GRIP, THROTTLE	1	
2	57300-17K00	LEVER ASSY, BLAKE	1	
3	57431-29G00	.BOLT, PIVOT	1	
4	57433-09F00	.NUT	1	
5	57460-14J01	SWITCH ASSY, FRONT BRAKE	1	
6	57465-17C00	.SCREW	1	
7	57211-21H01	GRIP, LH	1	
8	57500-41G41	LEVER ASSY, CLUTCH	1	
9	57621-41G10	.LEVER, CLUTCH	1	
10	57431-41G00	.BOLT	1	
11	57532-41G00	.COLLAR	1	
12	08319-3106A	.NUT	1	
13	57560-41G20	.SWITCH ASSY, CLUTCH	1	
14	57562-41G21	.SCREW	1	
15	01547-0620B	.BOLT	1	
16	57641-33E21	.NUT, CABLE ADJUSTER	1	
17	57644-33E00	.SPRING	1	
18	57642-33E00	.SCREW, SPRING	1	

FIG.474A

FIG.474A (1-G-9) REAR FENDER

REF NO.	PART NO.	DESCRIPTION	Q'TY	REMARKS
1	63111-17K00	FENDER, REAR FRONT	1	
2	63113-17K00	FENDER, REAR	1	
3	63114-17K00	MUDGUARD, REAR FENDER	1	
4	63116-17K00	FENDER, REAR REAR INNER	1	
5	63117-17K00	BOLT, REAR FENDER REAR	4	
6	63121-17K00	TAPE, REAR COMB RH	1	
7	63122-17K00	TAPE, REAR COMB LH	1	
8	94443-06G00	TAPE (6X25X0.13)	2	
9	09148-05038	NUT	2	
10	03541-0512A	SCREW	1	
11	03541-0516A	SCREW	3	
12	03541-0516B	SCREW	5	
13	08322-0106A	WASHER	2	
14	33652-05G20	CUSHION	2	
15	45148-27J00	PLUG, ELECTRIC PARTS HOLDER	1	
16	47431-17K00	HOLDER, BATTERY	1	
17	47441-17K00	HOLDER, ELECTRIC PARTS	1	
18	09111-06081	BOLT (6X18)	2	
19	03541-0516A	SCREW	2	
20	09321-06026	CUSHION	1	

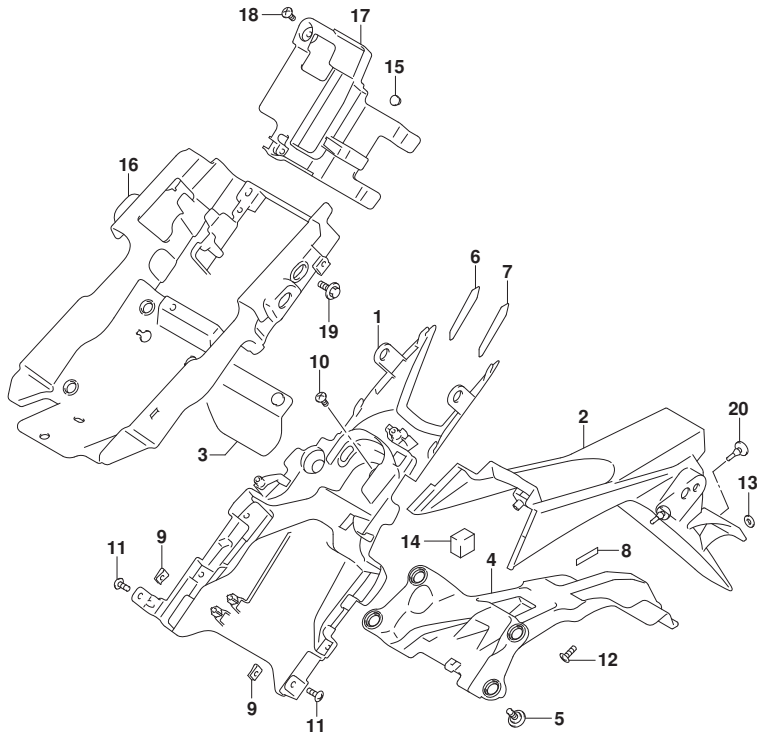


FIG.480A

FIG.480A (1-G-10) AIR INTAKE PIPE (GSX-R1000AL8 E21) (FOR YKV,YWW)

REF NO.	PART NO.	DESCRIPTION	Q'TY	REMARKS
1	94420-17K00	PIPE, AIR INTAKE RH	1	
2	63115-37H00	.CUSHION, INTAKE PIPE NO.2	1	
3	36930-60A10	.CUSHION, INTAKE PIPE	3	
4	94430-17K00	PIPE, AIR INTAKE LH	1	
5	63115-37H00	.CUSHION, INTAKE PIPE NO.2	1	
6	36930-60A10	.CUSHION, INTAKE PIPE	3	
7	09148-05052	NUT	4	
8	09320-08028	CUSHION	2	
9	09111-06106	BOLT (6X12)	2	
10	94671-17K00-YKV	COVER, INTAKE (BLACK)	1	
11-1	94670-17K00-4UX	COVER, INTAKE RH (BLACK)	1	FOR YKV
11-2	94670-17K10-YWW	COVER, INTAKE RH (WHITE)	1	FOR YWW
12-1	68275-17K00-BQV	.TAPE, INTAKE COVER RH	1	FOR 4UX
12-2	68275-17K10-BQQ	.TAPE, INTAKE COVER RH	1	FOR YWW
13	73415-70A00	.CUSHION	1	
14-1	94680-17K00-4UX	COVER, INTAKE LH (BLACK)	1	FOR YKV
14-2	94680-17K10-YWW	COVER, INTAKE LH (WHITE)	1	FOR YWW
15-1	68276-17K00-BQV	.TAPE, INTAKE COVER LH	1	FOR 4UX
15-2	68276-17K10-BQQ	.TAPE, INTAKE COVER LH	1	FOR YWW
16	73415-70A00	.CUSHION	1	
17	94414-17K00	COVER, INTAKE UPPER RH	1	
18	94415-17K00	COVER, INTAKE UPPER LH	1	
19	09132-05050	SCREW (5X12)	2	
20	36930-82010	CUSHION, COVER INTAKE NO.1	2	
21	94476-38C00	CUSHION, COVER INTAKE CTR	4	CUT AS REQUIRED
22	94633-31J00	CUSHION, COVER SIDE	2	
23	09321-06013	CUSHION	2	
24	09409-06314	CLIP	16	
25	03541-0412B	SCREW	2	
26	03541-0512B	SCREW	4	

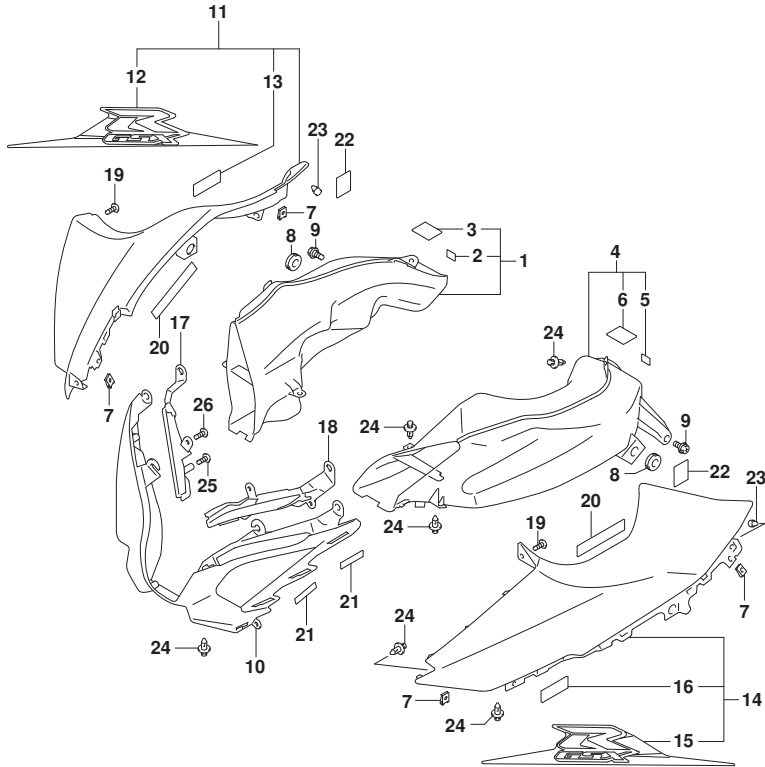


FIG.480B

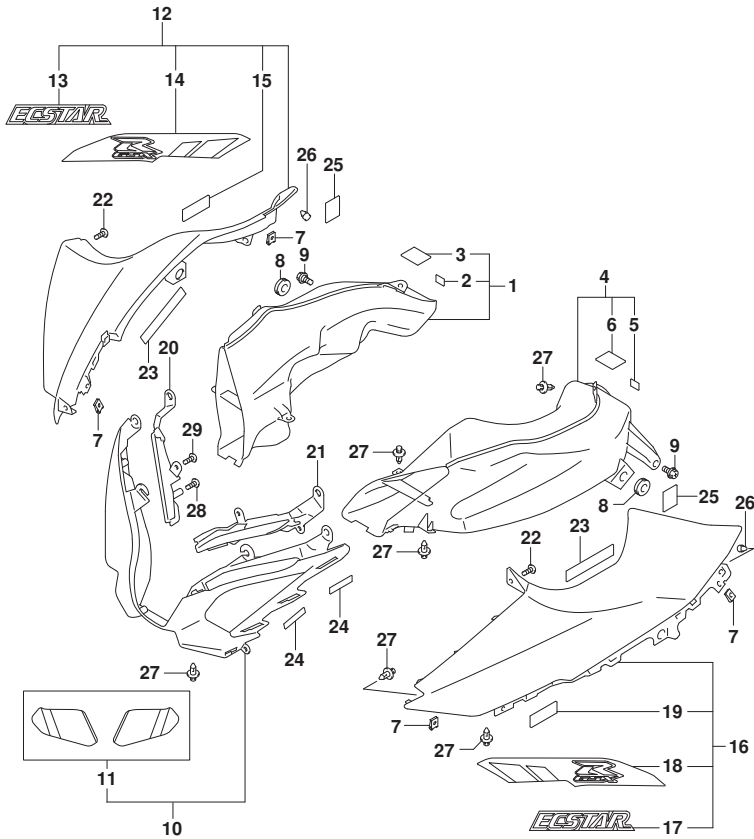


FIG.480B (1-G-11) AIR INTAKE PIPE (GSX-R1000AL8 E21) (FOR YSF)

REF NO.	PART NO.	DESCRIPTION	Q'TY	REMARKS
1	94420-17K00	PIPE, AIR INTAKE RH	1	
2	63115-37H00	.CUSHION, INTAKE PIPE NO.2	1	
3	36930-60A10	.CUSHION, INTAKE PIPE	3	
4	94430-17K00	PIPE, AIR INTAKE LH	1	
5	63115-37H00	.CUSHION, INTAKE PIPE NO.2	1	
6	36930-60A10	.CUSHION, INTAKE PIPE	3	
7	09148-05052	NUT	4	
8	09320-08028	CUSHION	2	
9	09111-06106	BOLT (6X12)	2	
10	94600-17K10-YSF	COVER, INTAKE (BLUE)	1	
11	68270-17K30-A3F	.TAPE SET, INTAKE COVER	1	
12	94670-17K30-YKV	COVER, INTAKE RH (BLACK)	1	
13	68275-17K50-BRM	.EMBLEM, INTAKE COVER	1	
14	68275-17K40-BRL	.TAPE, INTAKE COVER RH	1	
15	73415-70A00	.CUSHION	1	
16	94680-17K30-YKV	COVER, INTAKE LH (BLACK)	1	
17	68275-17K50-BRM	.EMBLEM, INTAKE COVER	1	
18	68276-17K40-BRL	.TAPE, INTAKE COVER LH	1	
19	73415-70A00	.CUSHION	1	
20	94414-17K00	COVER, INTAKE UPPER RH	1	
21	94415-17K00	COVER, INTAKE UPPER LH	1	
22	09132-05050	SCREW (5X12)	2	
23	36930-82010	CUSHION, COVER INTAKE NO.1	2	
24	94476-38C00	CUSHION, COVER INTAKE CTR	4	CUT AS REQUIRED
25	94633-31J00	CUSHION, COVER SIDE	2	
26	09321-06013	CUSHION	2	
27	09409-06314	CLIP	16	
28	03541-0412B	SCREW	2	
29	03541-0512B	SCREW	4	

FIG.480C

FIG.480C (1-G-12) AIR INTAKE PIPE (GSX-R1000RZAL8 E21)

REF NO.	PART NO.	DESCRIPTION	Q'TY	REMARKS
1	94420-17K00	PIPE, AIR INTAKE RH	1	
2	63115-37H00	.CUSHION, INTAKE PIPE NO.2	1	
3	36930-60A10	.CUSHION, INTAKE PIPE	3	
4	94430-17K00	PIPE, AIR INTAKE LH	1	
5	63115-37H00	.CUSHION, INTAKE PIPE NO.2	1	
6	36930-60A10	.CUSHION, INTAKE PIPE	3	
7	09148-05052	NUT	4	
8	09320-08028	CUSHION	2	
9	09111-06106	BOLT (6X12)	2	
10-1	94671-17K00-YKV	COVER, INTAKE (BLACK)	1	FOR YVB
10-2	94671-17K00-YWW	COVER, INTAKE (WHITE)	1	FOR YWW
11-1	94670-17K10-YVB	COVER, INTAKE RH (BLACK)	1	
11-2	94670-17K10-YWW	COVER, INTAKE RH (WHITE)	1	
12-1	68275-17K10-BQR	.TAPE, INTAKE COVER RH	1	FOR YVB
12-2	68275-17K10-BQQ	.TAPE, INTAKE COVER RH	1	FOR YWW
13	73415-70A00	.CUSHION	1	
14-1	94680-17K10-YVB	COVER, INTAKE LH (BLACK)	1	
14-2	94680-17K10-YWW	COVER, INTAKE LH (WHITE)	1	
15-1	68276-17K10-BQR	.TAPE, INTAKE COVER LH	1	FOR YVB
15-2	68276-17K10-BQQ	.TAPE, INTAKE COVER LH	1	FOR YWW
16	73415-70A00	.CUSHION	1	
17	09132-05050	SCREW (5X12)	2	
18	36930-82010	CUSHION, COVER INTAKE NO.1	2	
19	94476-38C00	CUSHION, COVER INTAKE CTR	4	CUT AS REQUIRED
20	94633-31J00	CUSHION, COVER SIDE	2	
21	09321-06013	CUSHION	2	
22	09409-06314	CLIP	16	

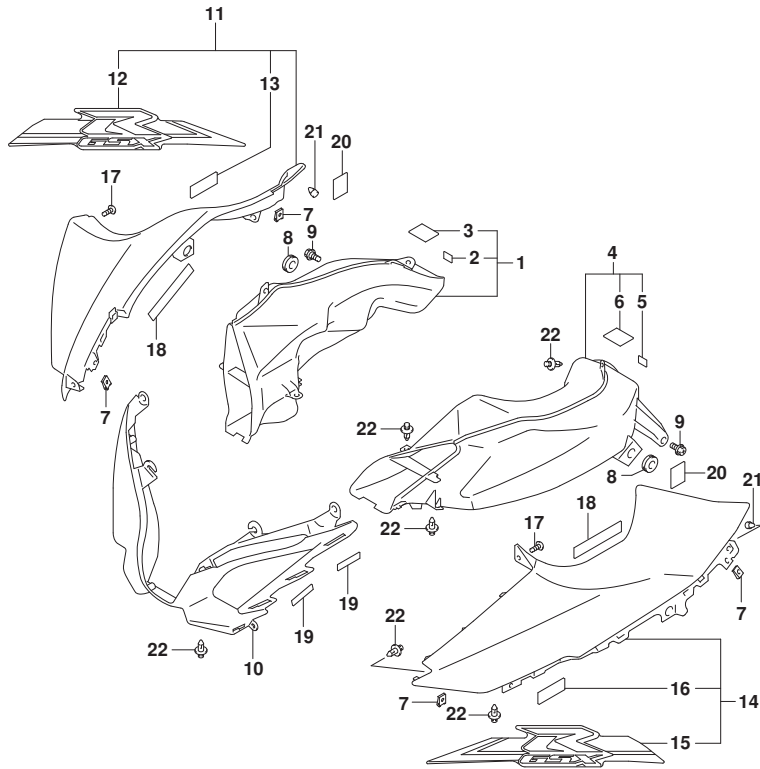


FIG.480D

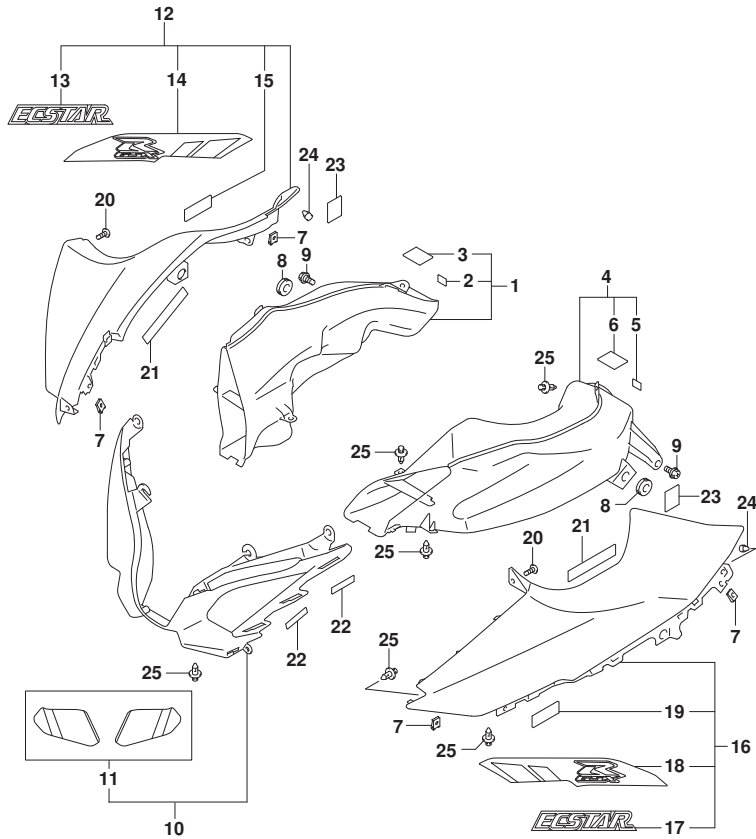


FIG.480D (1-G-13) AIR INTAKE PIPE (GSX-R1000RAL8 E21)

REF NO.	PART NO.	DESCRIPTION	Q'TY	REMARKS
1	94420-17K00	PIPE, AIR INTAKE RH	1	
2	63115-37H00	.CUSHION, INTAKE PIPE NO.2	1	
3	36930-60A10	.CUSHION, INTAKE PIPE	3	
4	94430-17K00	PIPE, AIR INTAKE LH	1	
5	63115-37H00	.CUSHION, INTAKE PIPE NO.2	1	
6	36930-60A10	.CUSHION, INTAKE PIPE	3	
7	09148-05052	NUT	4	
8	09320-08028	CUSHION	2	
9	09111-06106	BOLT (6X12)	2	
10	94600-17K10-YSF	COVER, INTAKE (BLUE)	1	
11	68270-17K30-A3F	.TAPE SET, INTAKE COVER	1	
12	94670-17K30-YKV	COVER, INTAKE RH (BLACK)	1	
13	68275-17K50-BRM	.EMBLEM, INTAKE COVER	1	
14	68275-17K40-BRL	.TAPE, INTAKE COVER RH	1	
15	73415-70A00	.CUSHION	1	
16	94680-17K30-YKV	COVER, INTAKE LH (BLACK)	1	
17	68275-17K50-BRM	.EMBLEM, INTAKE COVER	1	
18	68276-17K40-BRL	.TAPE, INTAKE COVER LH	1	
19	73415-70A00	.CUSHION	1	
20	09132-05050	SCREW (5X12)	2	
21	36930-82010	CUSHION, COVER INTAKE NO.1	2	
22	94476-38C00	CUSHION, COVER INTAKE CTR	4	CUT AS REQUIRED
23	94633-31J00	CUSHION, COVER SIDE	2	
24	09321-06013	CUSHION	2	
25	09409-06314	CLIP	16	

FIG.481A

FIG.481A (1-G-14) COWLING BODY (GSX-R1000AL8 E21) (FOR YWW)

REF NO.	PART NO.	DESCRIPTION	Q'TY	REMARKS
1	94410-17K10-YWW	BODY, COWLING (WHITE)	1	
2	44192-44H00	.CUSHION	1	
3	44572-02F01	.FASTENER	1	
4	44572-37H00	.FASTENER, COWLING	2	
5	94443-21H00	.TAPE, COWLING BODY	2	
6	68270-17K00-BQL	.TAPE, SET COWLING BODY	1	
7	94611-17K00	WINDSCREEN	1	
8	94631-17K00	SCREW, WINDSCREEN FRONT	4	
9	94621-17K00	SCREW, WINDSCREEN REAR	2	
10	09159-05019	NUT	6	
11	94511-17K00	BRACE, COWLING	1	
12	09103-08207	BOLT (8X45)	2	
13	08313-2008A	NUT	2	
14	09320-08028	CUSHION	2	
15	94630-17K00	PANEL, METER RH	1	
16	33652-20C00	.CUSHION	1	CUT AS REQUIRED
17	44279-18K00	.CUSHION	1	
18	73415-70A00	.PAD	1	
19	94640-17K00	PANEL, METER LH	1	
20	33652-20C00	.CUSHION	1	CUT AS REQUIRED
21	44279-18K00	.CUSHION	1	
22	73415-70A00	.PAD	1	

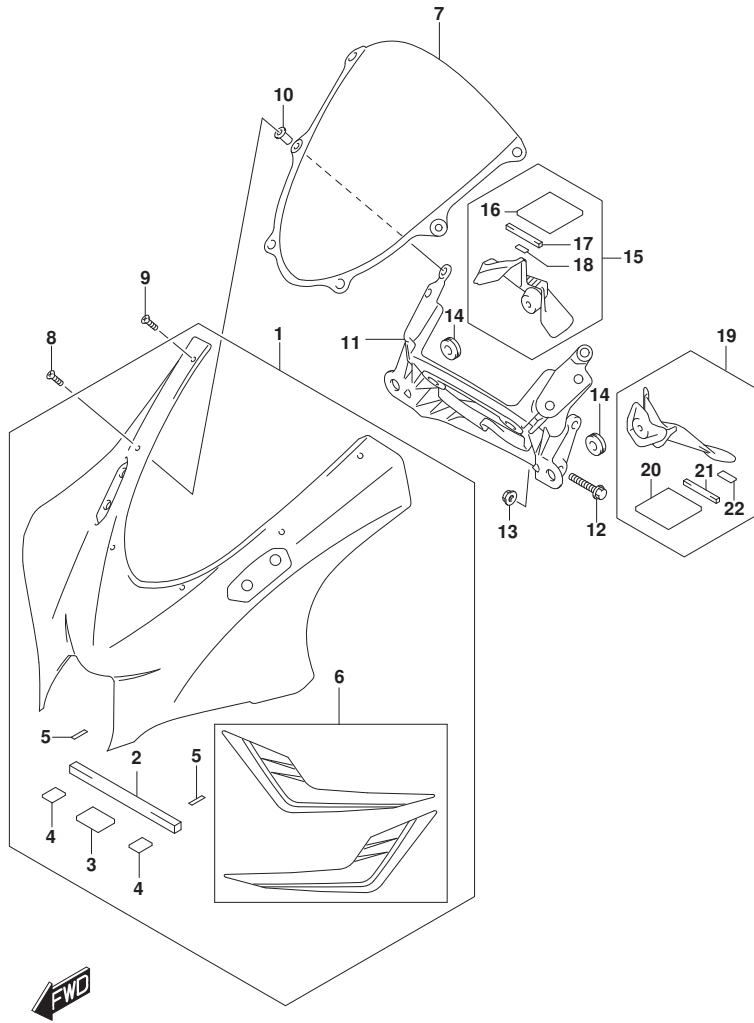


FIG.481B

FIG.481B (1-G-15) COWLING BODY (GSX-R1000AL8 E21) (FOR YKV)

REF NO.	PART NO.	DESCRIPTION	Q'TY	REMARKS
1	94410-17K00-YKV	BODY, COWLING (BLACK)	1	
2	44192-44H00	.CUSHION	1	
3	44572-02F01	.FASTENER	1	
4	44572-37H00	.FASTENER, COWLING	2	
5	94443-21H00	.TAPE, COWLING BODY	2	
6	94611-17K00	WINDSCREEN	1	
7	94631-17K00	SCREW, WINDSCREEN FRONT	4	
8	94621-17K00	SCREW, WINDSCREEN REAR	2	
9	09159-05019	NUT	6	
10	94511-17K00	BRACE, COWLING	1	
11	09103-08207	BOLT (8X45)	2	
12	08313-2008A	NUT	2	
13	09320-08028	CUSHION	2	
14	94630-17K00	PANEL, METER RH	1	
15	33652-20C00	.CUSHION	1	CUT AS REQUIRED
16	44279-18K00	.CUSHION	1	
17	73415-70A00	.PAD	1	
18	94640-17K00	PANEL, METER LH	1	
19	33652-20C00	.CUSHION	1	CUT AS REQUIRED
20	44279-18K00	.CUSHION	1	
21	73415-70A00	.PAD	1	

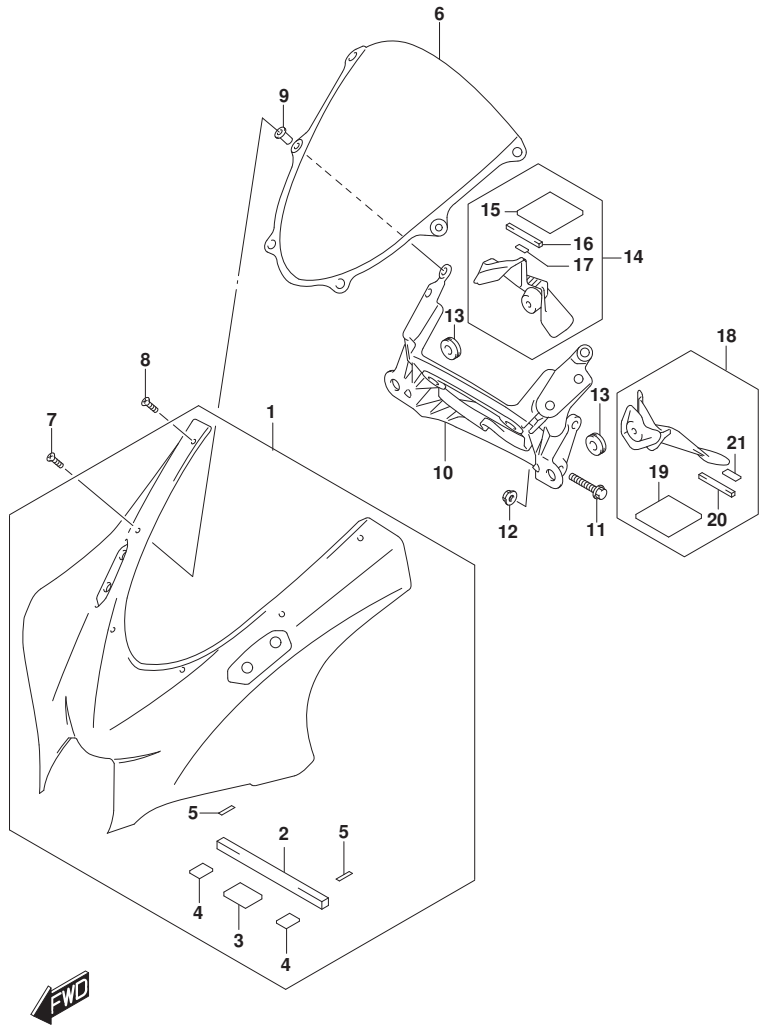


FIG.481C

FIG.481C (1-H-2) COWLING BODY (GSX-R1000AL8 E21) (FOR YSF)

REF NO.	PART NO.	DESCRIPTION	Q'TY	REMARKS
1	94410-17K20-YSF	BODY, COWLING (BLUE)	1	
2	44192-44H00	.CUSHION	1	
3	44572-02F01	.FASTENER	1	
4	44572-37H00	.FASTENER, COWLING	2	
5	94443-21H00	.TAPE, COWLING BODY	2	
6	68270-17K20-A3F	.TAPE, SET COWLING BODY	1	
7	68275-17K30-YVW	.EMBLEM, "SUZUKI" (WHITE)	1	
8	94611-17K00	WINDSCREEN	1	
9	94631-17K00	SCREW, WINDSCREEN FRONT	4	
10	94621-17K00	SCREW, WINDSCREEN REAR	2	
11	09159-05019	NUT	6	
12	94511-17K00	BRACE, COWLING	1	
13	09103-08207	BOLT (8X45)	2	
14	08313-2008A	NUT	2	
15	09320-08028	CUSHION	2	
16	94630-17K00	PANEL, METER RH	1	
17	33652-20C00	.CUSHION	1	CUT AS REQUIRED
18	44279-18K00	.CUSHION	1	
19	73415-70A00	.PAD	1	
20	94640-17K00	PANEL, METER LH	1	
21	33652-20C00	.CUSHION	1	CUT AS REQUIRED
22	44279-18K00	.CUSHION	1	
23	73415-70A00	.PAD	1	

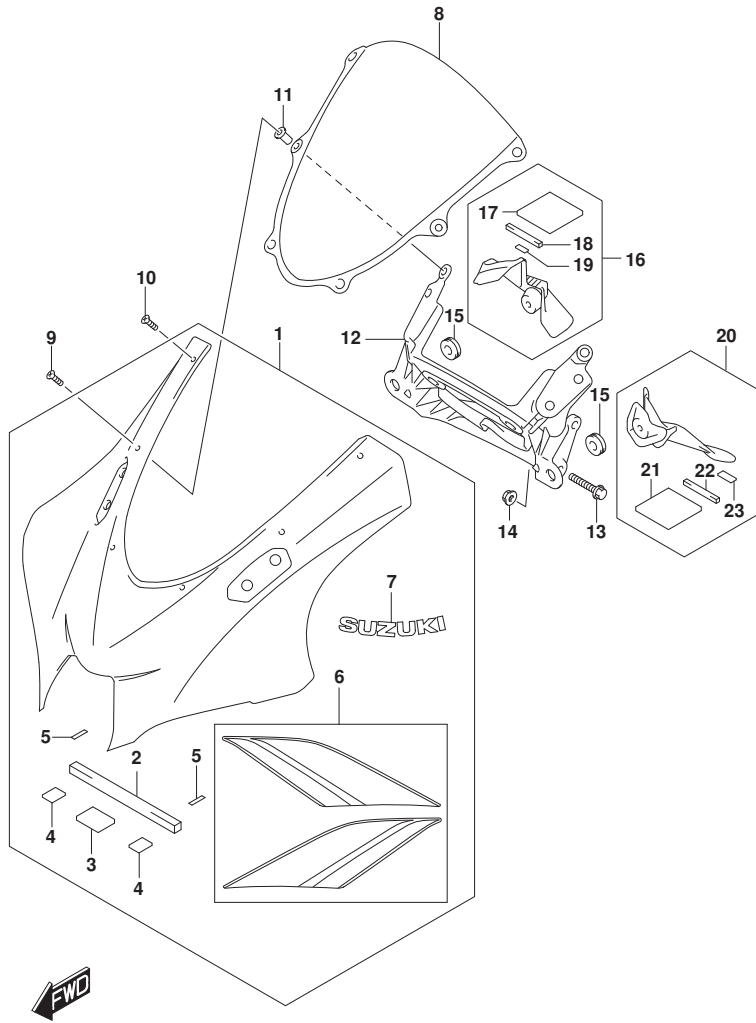


FIG.481D

FIG.481D (1-H-3) COWLING BODY (GSX-R1000RZAL8 E21)

REF NO.	PART NO.	DESCRIPTION	Q'TY	REMARKS
1-1	94410-17K10-YVB	BODY, COWLING (BLACK)	1	
1-2	94410-17K10-YWW	BODY, COWLING (WHITE)	1	
2	44192-44H00	.CUSHION	1	
3	44572-02F01	.FASTENER	1	
4	44572-37H00	.FASTENER, COWLING	2	
5	94443-21H00	.TAPE, COWLING BODY	2	
6-1	68270-17K00-BQM	.TAPE, SET COWLING BODY	1	FOR YVB
6-2	68270-17K00-BQL	.TAPE, SET COWLING BODY	1	FOR YWW
7	94611-17K00	WINDSCREEN	1	
8	94631-17K00	SCREW, WINDSCREEN FRONT	4	
9	94621-17K00	SCREW, WINDSCREEN REAR	2	
10	09159-05019	NUT	6	
11	94511-17K00	BRACE, COWLING	1	
12	09103-08207	BOLT (8X45)	2	
13	08313-2008A	NUT	2	
14	09320-08028	CUSHION	2	
15	94630-17K00	PANEL, METER RH	1	
16	33652-20C00	.CUSHION	1	CUT AS REQUIRED
17	44279-18K00	.CUSHION	1	
18	73415-70A00	.PAD	1	
19	94640-17K00	PANEL, METER LH	1	
20	33652-20C00	.CUSHION	1	CUT AS REQUIRED
21	44279-18K00	.CUSHION	1	
22	73415-70A00	.PAD	1	
23	68281-47HA0	EMBLEM, "S"	1	

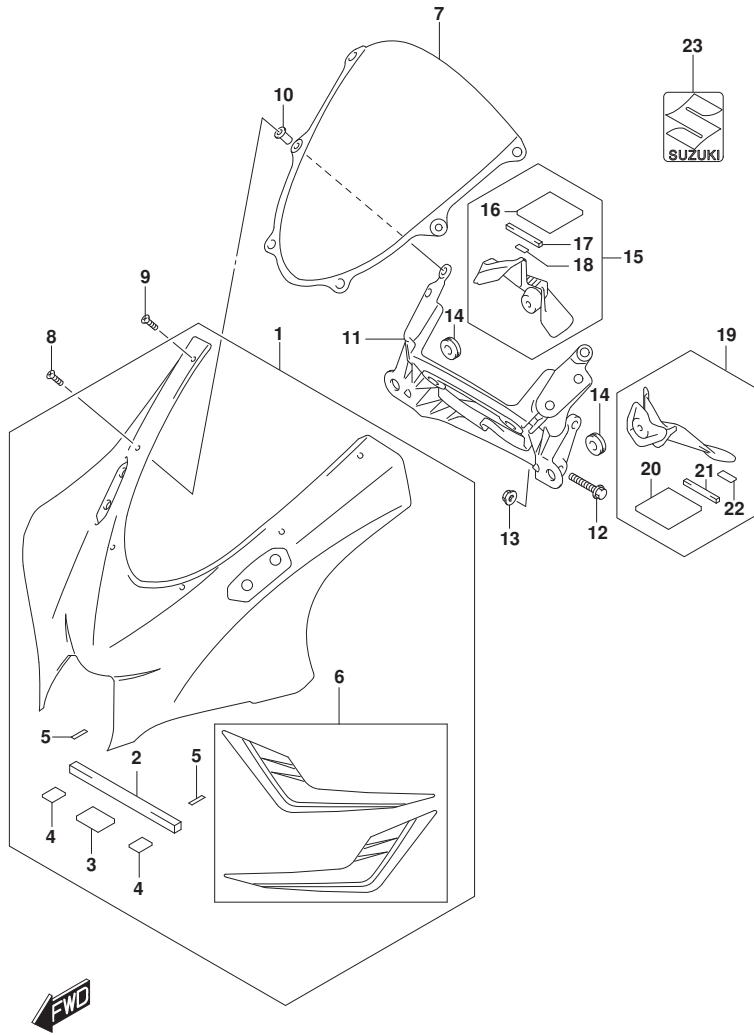


FIG.481E

FIG.481E (1-H-4) COWLING BODY (GSX-R1000RAL8 E21)

REF NO.	PART NO.	DESCRIPTION	Q'TY	REMARKS
1	94410-17K20-YSF	BODY, COWLING (BLUE)	1	
2	44192-44H00	.CUSHION	1	
3	44572-02F01	.FASTENER	1	
4	44572-37H00	.FASTENER, COWLING	2	
5	94443-21H00	.TAPE, COWLING BODY	2	
6	68270-17K20-A3F	.TAPE, SET COWLING BODY	1	
7	68275-17K30-YVW	.EMBLEM, "SUZUKI" (WHITE)	1	
8	94611-17K00	WINDSCREEN	1	
9	94631-17K00	SCREW, WINDSCREEN FRONT	4	
10	94621-17K00	SCREW, WINDSCREEN REAR	2	
11	09159-05019	NUT	6	
12	94511-17K00	BRACE, COWLING	1	
13	09103-08207	BOLT (8X45)	2	
14	08313-2008A	NUT	2	
15	09320-08028	CUSHION	2	
16	94630-17K00	PANEL, METER RH	1	
17	33652-20C00	.CUSHION	1	CUT AS REQUIRED
18	44279-18K00	.CUSHION	1	
19	73415-70A00	.PAD	1	
20	94640-17K00	PANEL, METER LH	1	
21	33652-20C00	.CUSHION	1	CUT AS REQUIRED
22	44279-18K00	.CUSHION	1	
23	73415-70A00	.PAD	1	

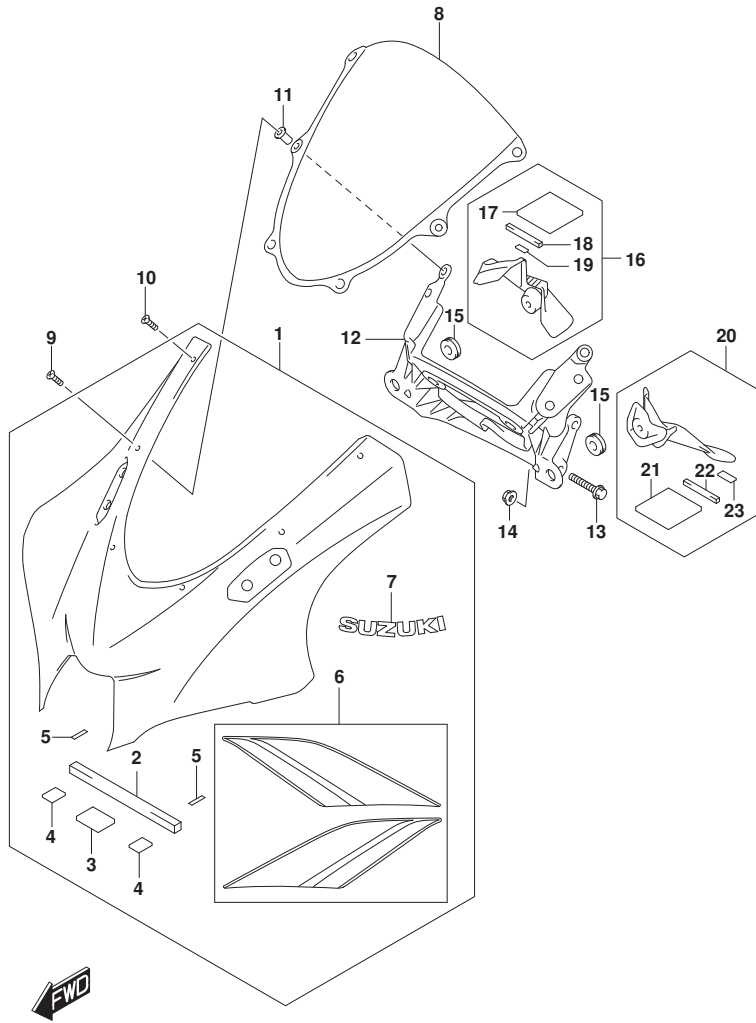


FIG.483A

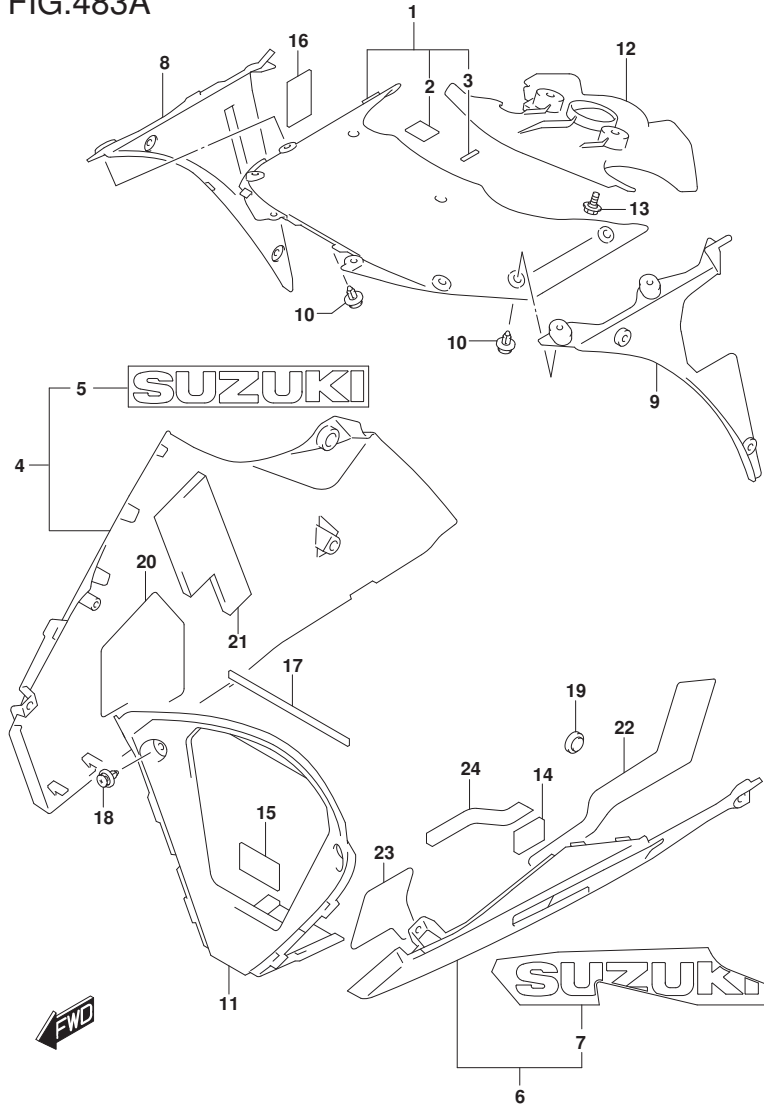


FIG.483A (1-H-5) UNDER COWLING (GSX-R1000AL8 E21) (FOR YKV,YWW)

REF NO.	PART NO.	DESCRIPTION	Q'TY	REMARKS
1	94620-17K00	COVER, BODY COWL	1	
2	36930-60A10	.CUSHION, BODY COWL COVER	2	
3	94443-06G00	.TAPE (6X25X0.13)	2	
4-1	94400-17K00-4UX	COWLING, UNDER RH (BLACK)	1	FOR YKV
4-2	94400-17K00-YWW	COWLING, UNDER RH (WHITE)	1	FOR YWW
5-1	68181-47HA1-YSF	.EMBLEM, "SUZUKI" (BLUE)	1	FOR 4UX
5-2	68181-47HA1-17U	.EMBLEM, "SUZUKI" (GRAY)	1	FOR YWW
6-1	94500-17K00-4UX	COWLING, UNDER LH (BLACK)	1	FOR YKV
6-2	94500-17K00-YWW	COWLING, UNDER LH (WHITE)	1	FOR YWW
7-1	68191-17K00-FNF	.EMBLEM, "SUZUKI" (BLUE/BLACK)	1	FOR 4UX
7-2	68191-17K00-BQT	.EMBLEM, "SUZUKI" (GRAY/WHITE)	1	FOR YWW
8	94461-17K00	COWLING, UNDER INNER RH	1	
9	94462-17K00	COWLING, UNDER INNER LH	1	
10	09409-06314	CLIP	4	
11	94491-17K00	COWLING, UNDER CTR	1	
12	94458-17K00	COVER, LOWER BRACKET	1	
13	09111-06107	BOLT (6X12)	2	
14	33652-13G00	CUSHION, UNDER RH	1	
15	33652-35400	CUSHION, UNDER COWL NO.2	1	
16	36930-60A10	CUSHION, COVER BODY COWL	1	
17	47121-31J00	CUSHION, UNDER COWL NO.1	1	
18	94479-35F00	CLIP	2	
19	09321-10018	CUSHION	2	
20	94476-17K00	SHIELD, UNDER COWL HEAT RH	1	
21	94477-17K10	CUSHION, SIDE REAR RH NO.2	1	
22	94486-17K00	SHIELD, UNDER COWL HEAT LH	1	
23	94486-17K10	SHIELD, UNDER COWL HEAT LH	1	
24	94487-17K10	CUSHION, SIDE REAR LH NO.2	1	

FIG.483B

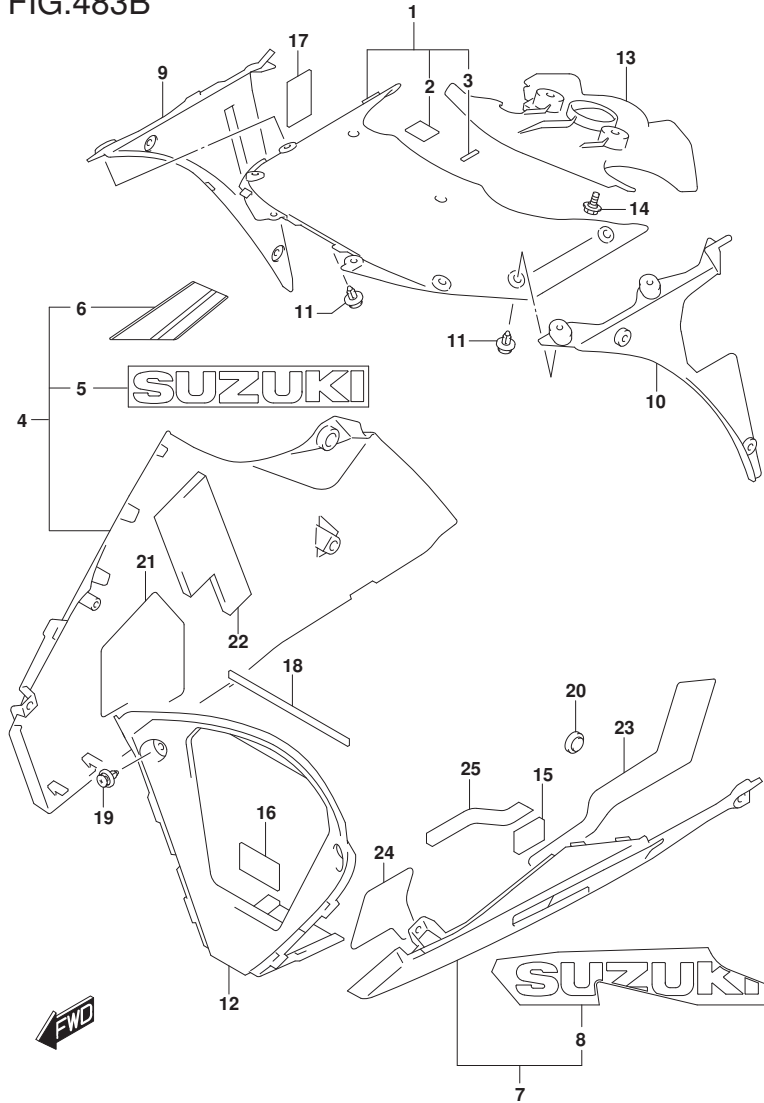


FIG.483B (1-H-6) UNDER COWLING (GSX-R1000AL8 E21) (FOR YSF)

REF NO.	PART NO.	DESCRIPTION	Q'TY	REMARKS
1	94620-17K00	COVER, BODY COWL	1	
2	36930-60A10	.CUSHION, BODY COWL COVER	2	
3	94443-06G00	.TAPE (6X25X0.13)	2	
4	94400-17K10-YSF	COWLING, UNDER RH (BLUE)	1	
5	68181-47HA1-YVW	.EMBLEM, "SUZUKI" (WHITE)	1	
6	68185-17K00-A3F	.TAPE, COWLING UNDER	1	
7	94500-17K00-YSF	COWLING, UNDER LH (BLUE)	1	
8	68191-17K00-AGQ	.EMBLEM, "SUZUKI" (BLUE/WHITE)	1	
9	94461-17K00	COWLING, UNDER INNER RH	1	
10	94462-17K00	COWLING, UNDER INNER LH	1	
11	09409-06314	CLIP	4	
12	94491-17K00	COWLING, UNDER CTR	1	
13	94458-17K00	COVER, LOWER BRACKET	1	
14	09111-06107	BOLT (6X12)	2	
15	33652-13G00	CUSHION, UNDER RH	1	
16	33652-35400	CUSHION, UNDER COWL NO.2	1	
17	36930-60A10	CUSHION, COVER BODY COWL	1	
18	47121-31J00	CUSHION, UNDER COWL NO.1	1	
19	94479-35F00	CLIP	2	
20	09321-10018	CUSHION	2	
21	94476-17K00	SHIELD, UNDER COWL HEAT RH	1	
22	94477-17K10	CUSHION, SIDE REAR RH NO.2	1	
23	94486-17K00	SHIELD, UNDER COWL HEAT LH	1	
24	94486-17K10	SHIELD, UNDER COWL HEAT LH	1	
25	94487-17K10	CUSHION, SIDE REAR LH NO.2	1	

FIG.483C

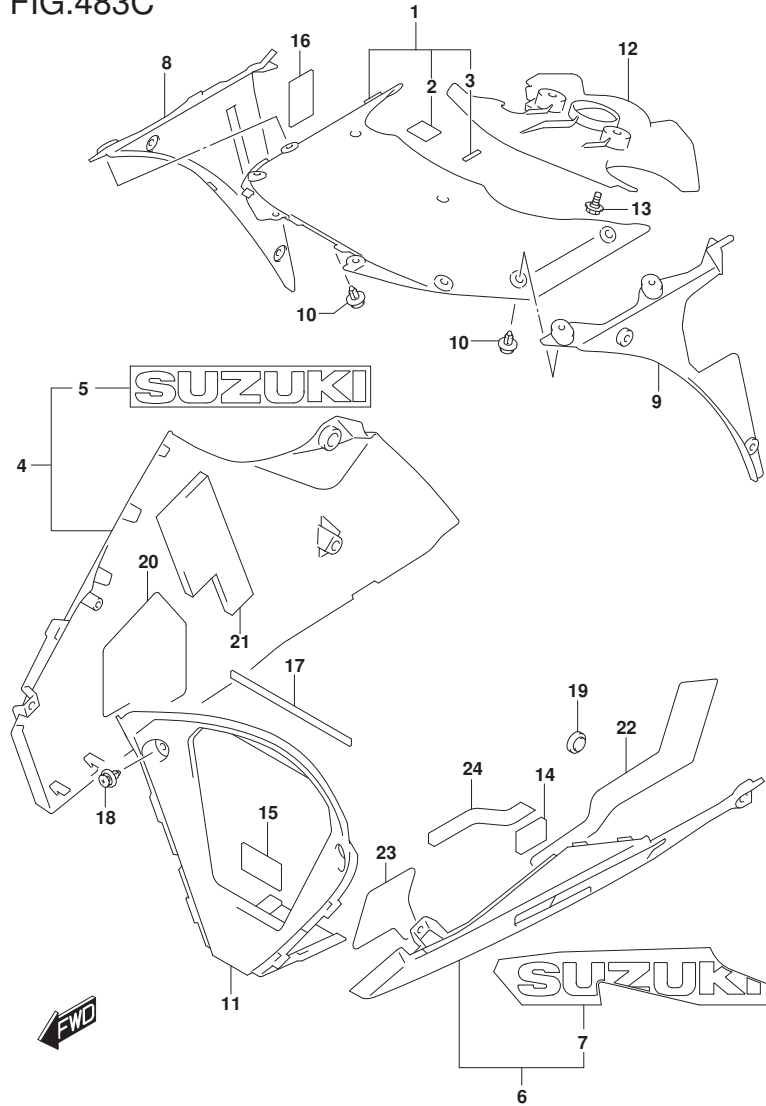


FIG.483C (1-H-7) UNDER COWLING (GSX-R1000RZAL8 E21)

REF NO.	PART NO.	DESCRIPTION	Q'TY	REMARKS
1	94620-17K00	COVER, BODY COWL	1	
2	36930-60A10	.CUSHION, BODY COWL COVER	2	
3	94443-06G00	.TAPE (6X25X0.13)	2	
4-1	94400-17K00-6UX	COWLING, UNDER RH (BLACK)	1	FOR YVB
4-2	94400-17K00-YWW	COWLING, UNDER RH (WHITE)	1	FOR YWW
5	68181-47HA1-17U	.EMBLEM, "SUZUKI" (GRAY)	1	
6-1	94500-17K00-6UX	COWLING, UNDER LH (BLACK)	1	FOR YVB
6-2	94500-17K00-YWW	COWLING, UNDER LH (WHITE)	1	FOR YWW
7-1	68191-17K00-BQU	.EMBLEM, "SUZUKI" (GRAY/BLACK)	1	FOR YVB
7-2	68191-17K00-BQT	.EMBLEM, "SUZUKI" (GRAY/WHITE)	1	FOR YWW
8	94461-17K00	COWLING, UNDER INNER RH	1	
9	94462-17K00	COWLING, UNDER INNER LH	1	
10	09409-06314	CLIP	4	
11	94491-17K00	COWLING, UNDER CTR	1	
12	94458-17K00	COVER, LOWER BRACKET	1	
13	09111-06107	BOLT (6X12)	2	
14	33652-13G00	CUSHION, UNDER RH	1	
15	33652-35400	CUSHION, UNDER COWL NO.2	1	
16	36930-60A10	CUSHION, COVER BODY COWL	1	
17	47121-31J00	CUSHION, UNDER COWL NO.1	1	
18	94479-35F00	CLIP	2	
19	09321-10018	CUSHION	2	
20	94476-17K00	SHIELD, UNDER COWL HEAT RH	1	
21	94477-17K10	CUSHION, SIDE REAR RH NO.2	1	
22	94486-17K00	SHIELD, UNDER COWL HEAT LH	1	
23	94486-17K10	SHIELD, UNDER COWL HEAT LH	1	
24	94487-17K10	CUSHION, SIDE REAR LH NO.2	1	

FIG.483D

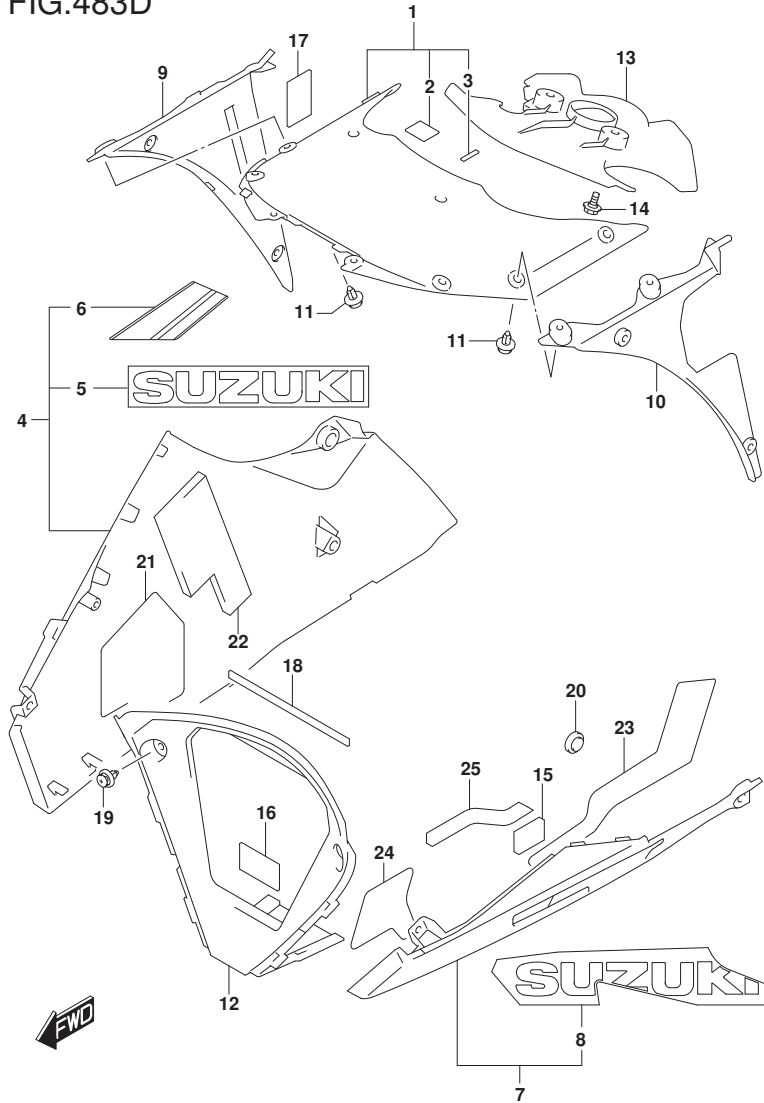


FIG.483D (1-H-8) UNDER COWLING (GSX-R1000RAL8 E21)

REF NO.	PART NO.	DESCRIPTION	Q'TY	REMARKS
1	94620-17K00	COVER, BODY COWL	1	
2	36930-60A10	.CUSHION, BODY COWL COVER	2	
3	94443-06G00	.TAPE (6X25X0.13)	2	
4	94400-17K10-YSF	COWLING, UNDER RH (BLUE)	1	
5	68181-47HA1-YVW	.EMBLEM, "SUZUKI" (WHITE)	1	
6	68185-17K00-A3F	.TAPE, COWLING UNDER	1	
7	94500-17K00-YSF	COWLING, UNDER LH (BLUE)	1	
8	68191-17K00-AGQ	.EMBLEM, "SUZUKI" (BLUE/WHITE)	1	
9	94461-17K00	COWLING, UNDER INNER RH	1	
10	94462-17K00	COWLING, UNDER INNER LH	1	
11	09409-06314	CLIP	4	
12	94491-17K00	COWLING, UNDER CTR	1	
13	94458-17K00	COVER, LOWER BRACKET	1	
14	09111-06107	BOLT (6X12)	2	
15	33652-13G00	CUSHION, UNDER RH	1	
16	33652-35400	CUSHION, UNDER COWL NO.2	1	
17	36930-60A10	CUSHION, COVER BODY COWL	1	
18	47121-31J00	CUSHION, UNDER COWL NO.1	1	
19	94479-35F00	CLIP	2	
20	09321-10018	CUSHION	2	
21	94476-17K00	SHIELD, UNDER COWL HEAT RH	1	
22	94477-17K10	CUSHION, SIDE REAR RH NO.2	1	
23	94486-17K00	SHIELD, UNDER COWL HEAT LH	1	
24	94486-17K10	SHIELD, UNDER COWL HEAT LH	1	
25	94487-17K10	CUSHION, SIDE REAR LH NO.2	1	

FIG.485A

FIG.485A (1-H-9) SIDE COWLING (GSX-R1000AL8 E21) (FOR YWW)

REF NO.	PART NO.	DESCRIPTION	Q'TY	REMARKS
1	94470-17K10-YWW	COWLING, SIDE RH (WHITE)	1	
2	68685-17K10-BQS	.TAPE, SIDE COWLING UPPER RH (WHITE/GRAY)	1	
3	68685-17K20-BQL	.TAPE, SIDE COWLING LOWER RH	1	
4	94480-17K10-YWW	COWLING, SIDE LH (WHITE)	1	
5	68695-17K10-BQS	.TAPE, SIDE COWLING UPPER LH (WHITE/GRAY)	1	
6	68695-17K20-BQL	.TAPE, SIDE COWLING LOWER LH	1	
7	94450-17K10-YWW	COWLING, SIDE REAR RH (WHITE)	1	
8	68680-17K00-BQS	.TAPE, SIDE COWLING REAR RH (WHITE/GRAY)	1	
9	94477-17K00	.CUSHION	1	
10	94460-17K10-YWW	COWLING, SIDE REAR LH (WHITE)	1	
11	68690-17K00-BQS	.TAPE, SIDE COWLING REAR LH (WHITE/GRAY)	1	
12	94487-17K00	.CUSHION	1	
13	09320-09016	CUSHION	4	
14	03541-0516A	SCREW	6	
15	94477-17K20	CUSHION, SIDE REAR RH NO.3	1	
16	94520-17K00	BRACKET, UNDER COWL LH	1	
17	94540-17K00	BRACKET, UNDER COWL RH	1	
18	09139-05091	SCREW	4	
19	09139-06206	SCREW	4	
20	94530-17K00	BRACKET, SIDE COWL RH	1	
21	01550-0625A	BOLT	1	
22	36930-60A10	CUSHION, SIDE FRONT	1	
23	94478-14J00	CUSHION, UNDER COWLING	2	

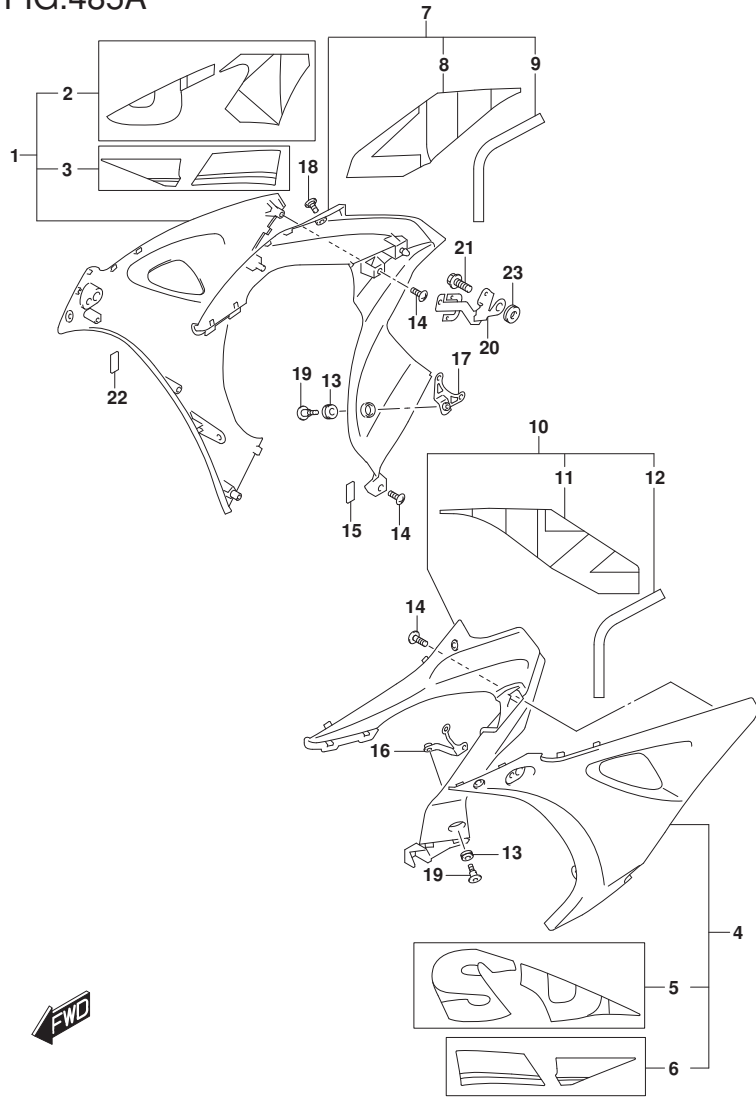


FIG.485B

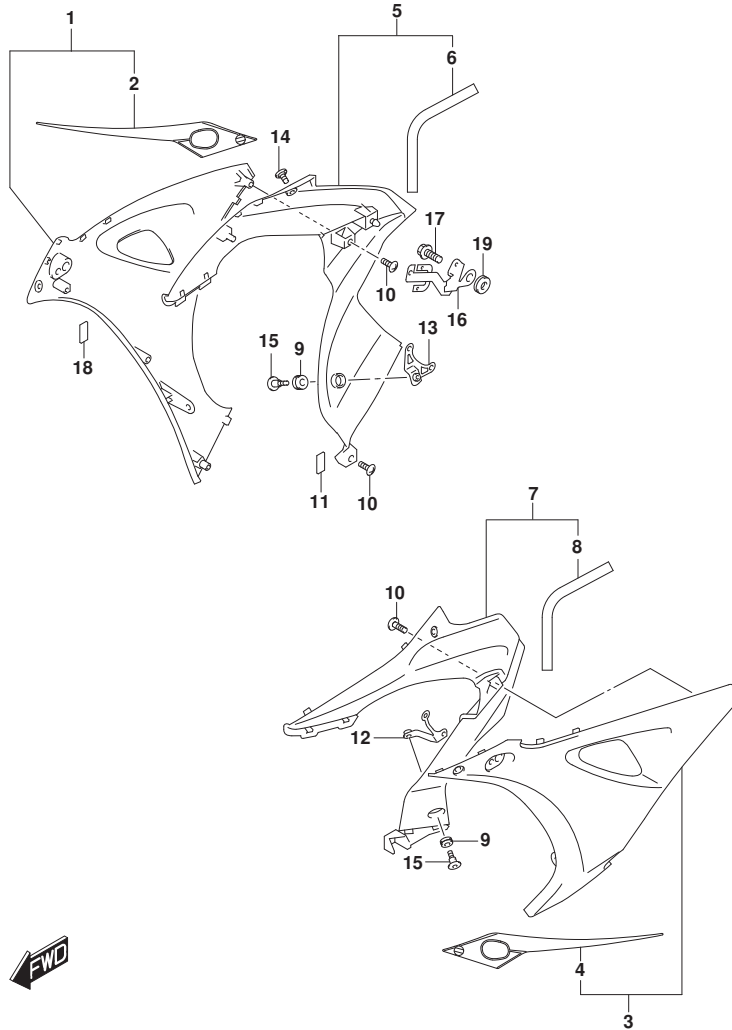


FIG.485B (1-H-10) SIDE COWLING (GSX-R1000AL8 E21) (FOR YKV)

REF NO.	PART NO.	DESCRIPTION	Q'TY	REMARKS
1	94470-17K00-4UX	COWLING, SIDE RH (BLACK)	1	
2	68685-17K01-FNF	.TAPE, SIDE COWLING UPPER RH (BLUE/BLACK)	1	
3	94480-17K00-4UX	COWLING, SIDE LH (BLACK)	1	
4	68695-17K01-FNF	.TAPE, SIDE COWLING UPPER LH (BLUE/BLACK)	1	
5	94450-17K00-YKV	COWLING, SIDE REAR RH (BLACK)	1	
6	94477-17K00	.CUSHION	1	
7	94460-17K00-YKV	COWLING, SIDE REAR LH (BLACK)	1	
8	94487-17K00	.CUSHION	1	
9	09320-09016	CUSHION	4	
10	03541-0516A	SCREW	6	
11	94477-17K20	CUSHION, SIDE REAR RH NO.3	1	
12	94520-17K00	BRACKET, UNDER COWL LH	1	
13	94540-17K00	BRACKET, UNDER COWL RH	1	
14	09139-05091	SCREW	4	
15	09139-06206	SCREW	4	
16	94530-17K00	BRACKET, SIDE COWL RH	1	
17	01550-0625A	BOLT	1	
18	36930-60A10	CUSHION, SIDE FRONT	1	
19	94478-14J00	CUSHION, UNDER COWLING	2	

FIG.485C

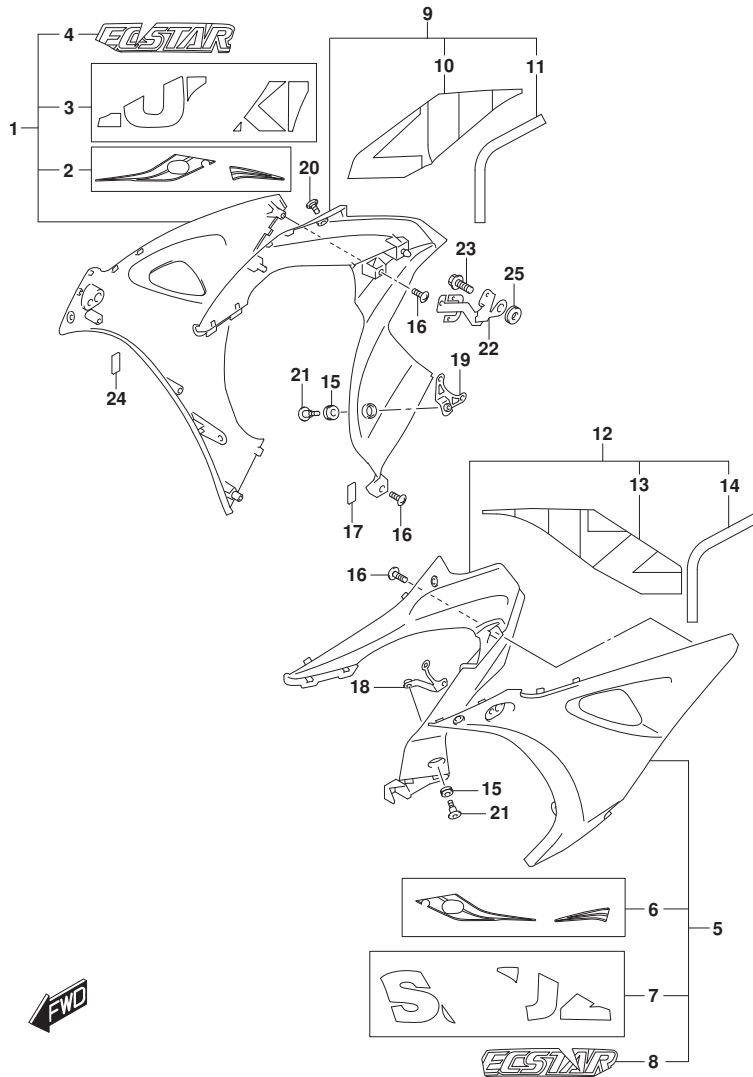


FIG.485C (1-H-11) SIDE COWLING (GSX-R1000AL8 E21) (FOR YSF)

REF NO.	PART NO.	DESCRIPTION	Q'TY	REMARKS
1	94470-17K30-YSF	COWLING, SIDE RH (BLUE)	1	
2	68680-17K20-A3F	.TAPE SET, SIDE COWLING RH	1	
3	68680-17K30-AGQ	.TAPE, SIDE COWLING LOWER RH	1	
4	68685-17K30-BRN	.EMBLEM, SIDE COWLING RH	1	
5	94480-17K30-YSF	COWLING, SIDE LH (BLUE)	1	
6	68690-17K20-A3F	.TAPE, SIDE COWLING UPPER LH	1	
7	68690-17K30-AGQ	.TAPE, SIDE COWLING LOWER LH	1	
8	68695-17K30-BRN	.EMBLEM, SIDE COWLING LH	1	
9	94450-17K20-YKV	COWLING, SIDE REAR RH (BLACK)	1	
10	68680-17K40-AHB	.TAPE SET, SIDE COWLING REAR RH	1	
11	94477-17K00	.CUSHION	1	
12	94460-17K20-YKV	COWLING, SIDE REAR LH (BLACK)	1	
13	68690-17K40-AHB	.TAPE SET, SIDE COWLING REAR LH	1	
14	94487-17K00	.CUSHION	1	
15	09320-09016	CUSHION	4	
16	03541-0516A	SCREW	6	
17	94477-17K20	CUSHION, SIDE REAR RH NO.3	1	
18	94520-17K00	BRACKET, UNDER COWL LH	1	
19	94540-17K00	BRACKET, UNDER COWL RH	1	
20	09139-05091	SCREW	4	
21	09139-06206	SCREW	4	
22	94530-17K00	BRACKET, SIDE COWL RH	1	
23	01550-0625A	BOLT	1	
24	36930-60A10	CUSHION, SIDE FRONT	1	
25	94478-14J00	CUSHION, UNDER COWLING	2	

FIG.485D

FIG.485D (1-H-12) SIDE COWLING (GSX-R1000RZAL8 E21)

REF NO.	PART NO.	DESCRIPTION	Q'TY	REMARKS
1-1	94470-17K10-YVB	COWLING, SIDE RH (BLACK)	1	
1-2	94470-17K10-YWW	COWLING, SIDE RH (WHITE)	1	
2-1	68685-17K10-KGL	.TAPE, SIDE COWLING UPPER RH (BLACK)	1	FOR YVB
2-2	68685-17K10-BQS	.TAPE, SIDE COWLING UPPER RH (WHITE/GRAY)	1	FOR YWW
3-1	68685-17K20-BQM	.TAPE, SIDE COWLING LOWER RH	1	FOR YVB
3-2	68685-17K20-BQL	.TAPE, SIDE COWLING LOWER RH	1	FOR YWW
4-1	94480-17K10-YVB	COWLING, SIDE LH (BLACK)	1	
4-2	94480-17K10-YWW	COWLING, SIDE LH (WHITE)	1	
5-1	68695-17K10-KGL	.TAPE, SIDE COWLING UPPER LH (BLACK)	1	FOR YVB
5-2	68695-17K10-BQS	.TAPE, SIDE COWLING UPPER LH (WHITE/GRAY)	1	FOR YWW
6-1	68695-17K20-BQM	.TAPE, SIDE COWLING LOWER LH	1	FOR YVB
6-2	68695-17K20-BQL	.TAPE, SIDE COWLING LOWER LH	1	FOR YWW
7-1	94450-17K10-YVB	COWLING, SIDE REAR RH (BLACK)	1	
7-2	94450-17K10-YWW	COWLING, SIDE REAR RH (WHITE)	1	
8-1	68680-17K00-KGL	.TAPE, SIDE COWLING REAR RH (BLACK)	1	FOR YVB
8-2	68680-17K00-BQS	.TAPE, SIDE COWLING REAR RH (WHITE/GRAY)	1	FOR YWW
9	94477-17K00	.CUSHION	1	
10-1	94460-17K10-YVB	COWLING, SIDE REAR LH (BLACK)	1	
10-2	94460-17K10-YWW	COWLING, SIDE REAR LH (WHITE)	1	
11-1	68690-17K00-KGL	.TAPE, SIDE COWLING REAR LH (BLACK)	1	FOR YVB
11-2	68690-17K00-BQS	.TAPE, SIDE COWLING REAR LH (WHITE/GRAY)	1	FOR YWW
12	94487-17K00	.CUSHION	1	

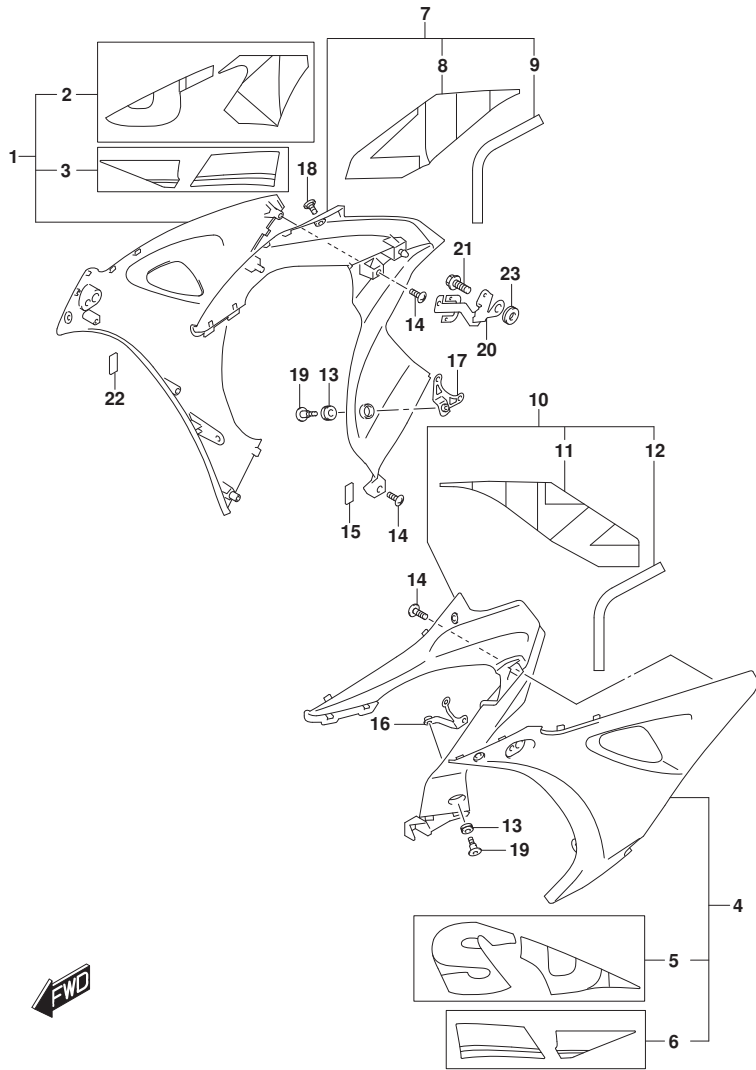


FIG.485D

FIG.485D (1-H-13) SIDE COWLING (GSX-R1000RZAL8 E21)

REF NO.	PART NO.	DESCRIPTION	Q'TY	REMARKS
13	09320-09016	CUSHION	4	
14	03541-0516A	SCREW	6	
15	94477-17K20	CUSHION, SIDE REAR RH NO.3	1	
16	94520-17K00	BRACKET, UNDER COWL LH	1	
17	94540-17K00	BRACKET, UNDER COWL RH	1	
18	09139-05091	SCREW	4	
19	09139-06206	SCREW	4	
20	94530-17K00	BRACKET, SIDE COWL RH	1	
21	01550-0625A	BOLT	1	
22	36930-60A10	CUSHION, SIDE FRONT	1	
23	94478-14J00	CUSHION, UNDER COWLING	2	

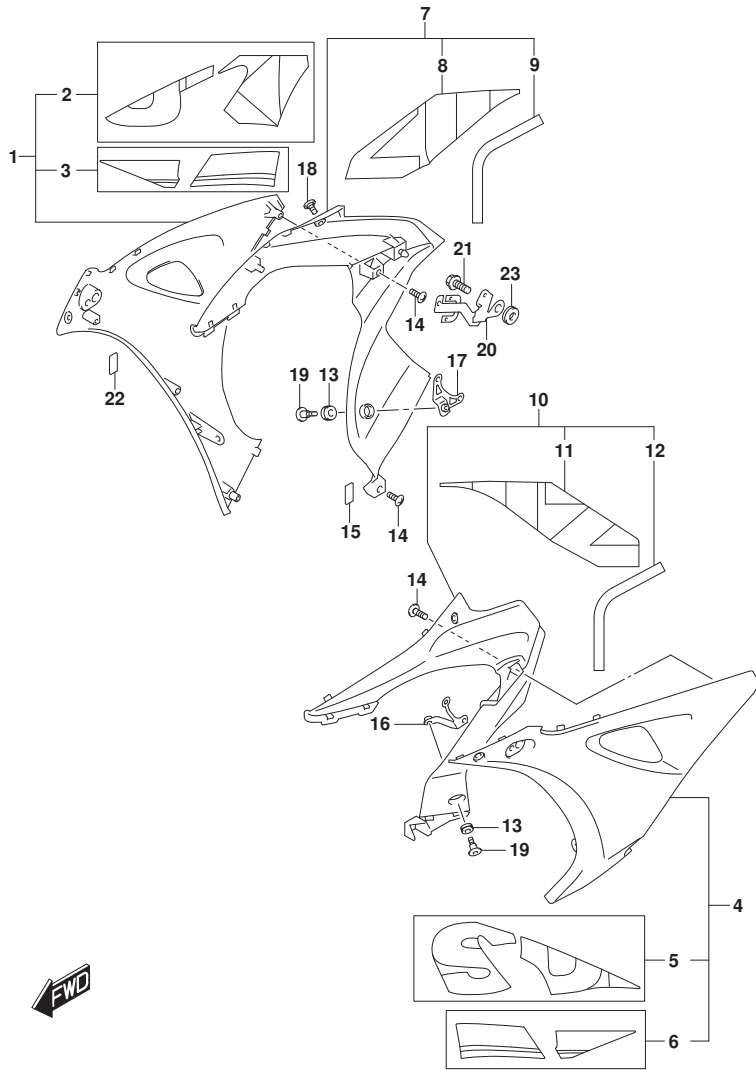


FIG.485E

FIG.485E (1-H-14) SIDE COWLING (GSX-R1000RAL8 E21)

REF NO.	PART NO.	DESCRIPTION	Q'TY	REMARKS
1	94470-17K30-YSF	COWLING, SIDE RH (BLUE)	1	
2	68680-17K20-A3F	.TAPE SET, SIDE COWLING RH	1	
3	68680-17K30-AGQ	.TAPE, SIDE COWLING LOWER RH	1	
4	68685-17K30-BRN	.EMBLEM, SIDE COWLING RH	1	
5	94480-17K30-YSF	COWLING, SIDE LH (BLUE)	1	
6	68690-17K20-A3F	.TAPE, SIDE COWLING UPPER LH	1	
7	68690-17K30-AGQ	.TAPE, SIDE COWLING LOWER LH	1	
8	68695-17K30-BRN	.EMBLEM, SIDE COWLING LH	1	
9	94450-17K20-YKV	COWLING, SIDE REAR RH (BLACK)	1	
10	68680-17K40-AHB	.TAPE, SIDE COWLING REAR RH (WHITE/BLACK)	1	
11	94477-17K00	.CUSHION	1	
12	94460-17K20-YKV	COWLING, SIDE REAR LH (BLACK)	1	
13	68690-17K40-AHB	.TAPE, SIDE COWLING REAR LH (WHITE/BLACK)	1	
14	94487-17K00	.CUSHION	1	
15	09320-09016	CUSHION	4	
16	03541-0516A	SCREW	6	
17	94477-17K20	CUSHION, SIDE REAR RH NO.3	1	
18	94520-17K00	BRACKET, UNDER COWL LH	1	
19	94540-17K00	BRACKET, UNDER COWL RH	1	
20	09139-05091	SCREW	4	
21	09139-06206	SCREW	4	
22	94530-17K00	BRACKET, SIDE COWL RH	1	
23	01550-0625A	BOLT	1	
24	36930-60A10	CUSHION, SIDE FRONT	1	
25	94478-14J00	CUSHION, UNDER COWLING	2	

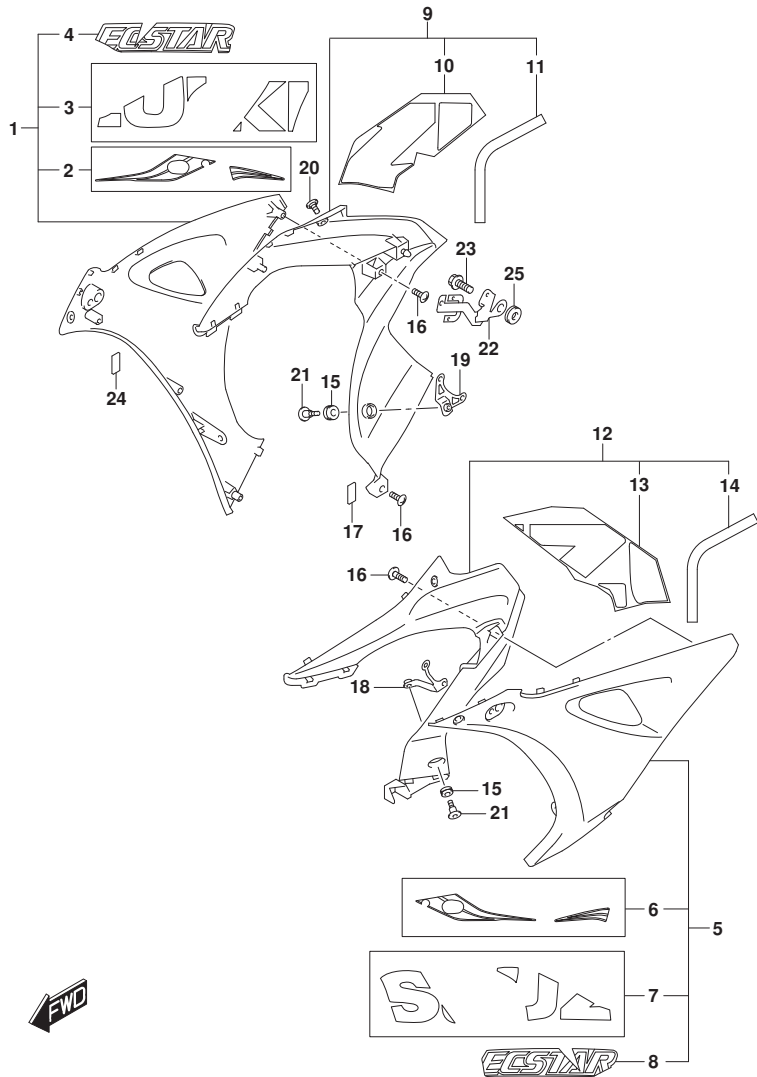


FIG.496A

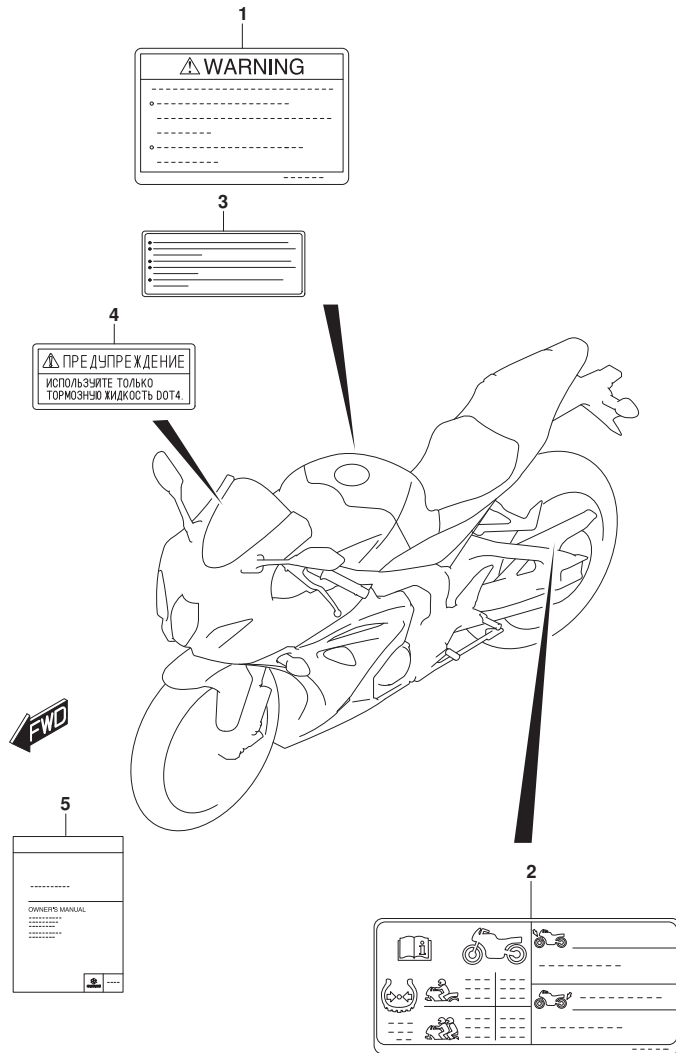


FIG.496A (1-H-15) LABEL (GSX-R1000AL8 E21)

REF NO.	PART NO.	DESCRIPTION	Q'TY	REMARKS
1-1	68319-49J00	LABEL, GENERAL WARNING (ENGLISH)	1	
1-2	68319-49J20	LABEL, GENERAL WARNING (GERMAN)	1	
1-3	68319-49J30	LABEL, GENERAL WARNING (FRENCH)	1	
1-4	68319-49J40	LABEL, GENERAL WARNING (ITALIAN)	1	
1-5	68319-49J50	LABEL, GENERAL WARNING (SPANISH)	1	
1-6	68319-49J70	LABEL, GENERAL WARNING (DUTCH)	1	
1-7	68319-49J80	LABEL, GENERAL WARNING (PORTUGUESE)	1	
1-8	68319-49J90	LABEL, GENERAL WARNING (SWEDISH)	1	
1-9	68319-49JA0	LABEL, GENERAL WARNING (FINNISH)	1	
1-10	68319-49JB0	LABEL, GENERAL WARNING (NORWEGIAN)	1	
1-11	68319-49JC0	LABEL, GENERAL WARNING (DANISH)	1	
1-12	68319-49JP0	LABEL, GENERAL WARNING (RUSSIAN)	1	
1-13	68319-02K40	LABEL, GENERAL WARNING (ITALIAN)	1	
1-14	68319-02K90	LABEL, GENERAL WARNING (SWEDISH)	1	

FIG.496A

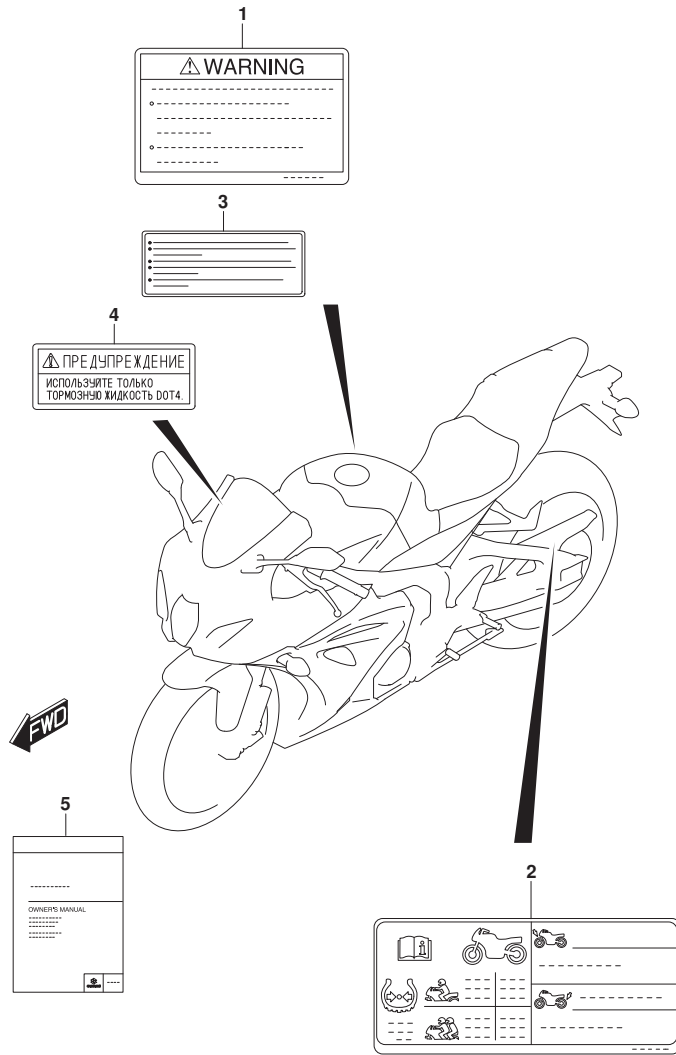


FIG.496A (1-1-2) LABEL (GSX-R1000AL8 E21)

REF NO.	PART NO.	DESCRIPTION	Q'TY	REMARKS
2	68332-17K00	LABEL, TIRE INFORMATION	1	
3	18803-45G00	LABEL, FUEL INFORMATION	1	
4	68386-14J00	LABEL, BRAKE FLUID INFORMATION	2	FOR RUSSIAN
5-1	99011-17K51-01A	MANUAL, OWNER'S (ENGLISH)	1	
5-2	99011-17K51-01F	MANUAL, OWNER'S (FRENCH)	1	
5-3	99011-17K51-01K	MANUAL, OWNER'S (GERMAN)	1	
5-4	99011-17K51-01W	MANUAL, OWNER'S (SWEDISH)	1	
5-5	99011-17K51-01E	MANUAL, OWNER'S (ITALIAN)	1	
5-6	99011-17K51-01H	MANUAL, OWNER'S (DUTCH)	1	
5-7	99011-17K51-029	MANUAL, OWNER'S (SPANISH)	1	
5-8	99011-17K51-070	MANUAL, OWNER'S (RUSSIAN)	1	
5-9	99011-17K51-01T	MANUAL, OWNER'S (DANISH)	1	

FIG.496B

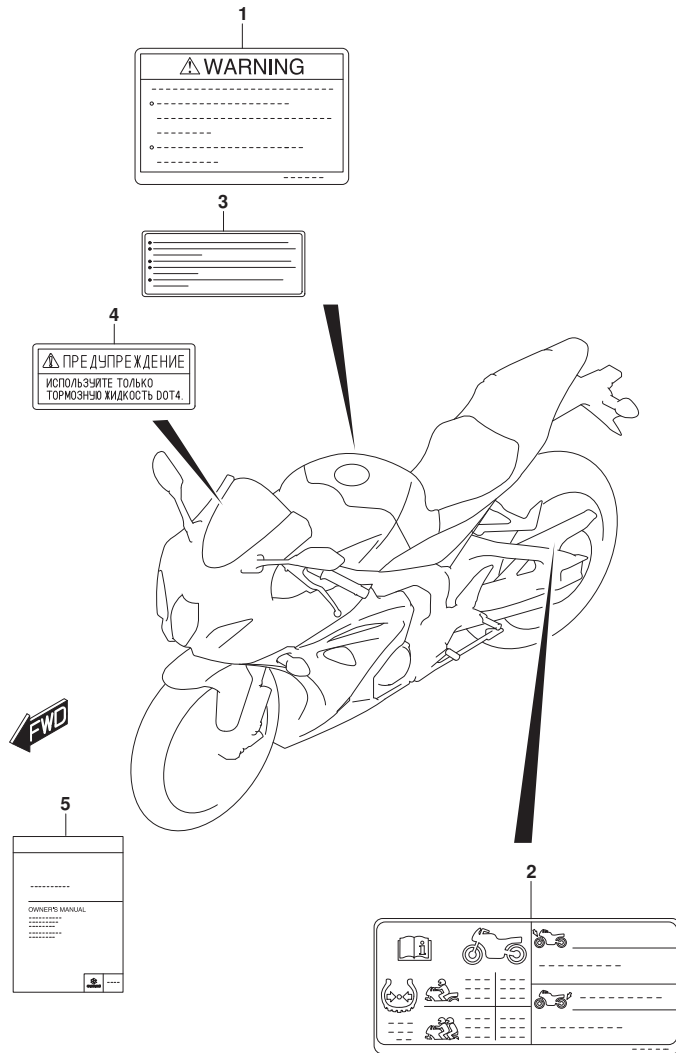


FIG.496B (1-1-3) LABEL (GSX-R1000RZL8 E21)

REF NO.	PART NO.	DESCRIPTION	Q'TY	REMARKS
1-1	68319-49J00	LABEL, GENERAL WARNING (ENGLISH)	1	
1-2	68319-49J20	LABEL, GENERAL WARNING (GERMAN)	1	
1-3	68319-49J30	LABEL, GENERAL WARNING (FRENCH)	1	
1-4	68319-49J40	LABEL, GENERAL WARNING (ITALIAN)	1	
1-5	68319-49J50	LABEL, GENERAL WARNING (SPANISH)	1	
1-6	68319-49J70	LABEL, GENERAL WARNING (DUTCH)	1	
1-7	68319-49J80	LABEL, GENERAL WARNING (PORTUGUESE)	1	
1-8	68319-49J90	LABEL, GENERAL WARNING (SWEDISH)	1	
1-9	68319-49JA0	LABEL, GENERAL WARNING (FINNISH)	1	
1-10	68319-49JB0	LABEL, GENERAL WARNING (NORWEGIAN)	1	
1-11	68319-49JC0	LABEL, GENERAL WARNING (DANISH)	1	
1-12	68319-49JP0	LABEL, GENERAL WARNING (RUSSIAN)	1	
1-13	68319-02K40	LABEL, GENERAL WARNING (ITALIAN)	1	
1-14	68319-02K90	LABEL, GENERAL WARNING (SWEDISH)	1	

FIG.496B

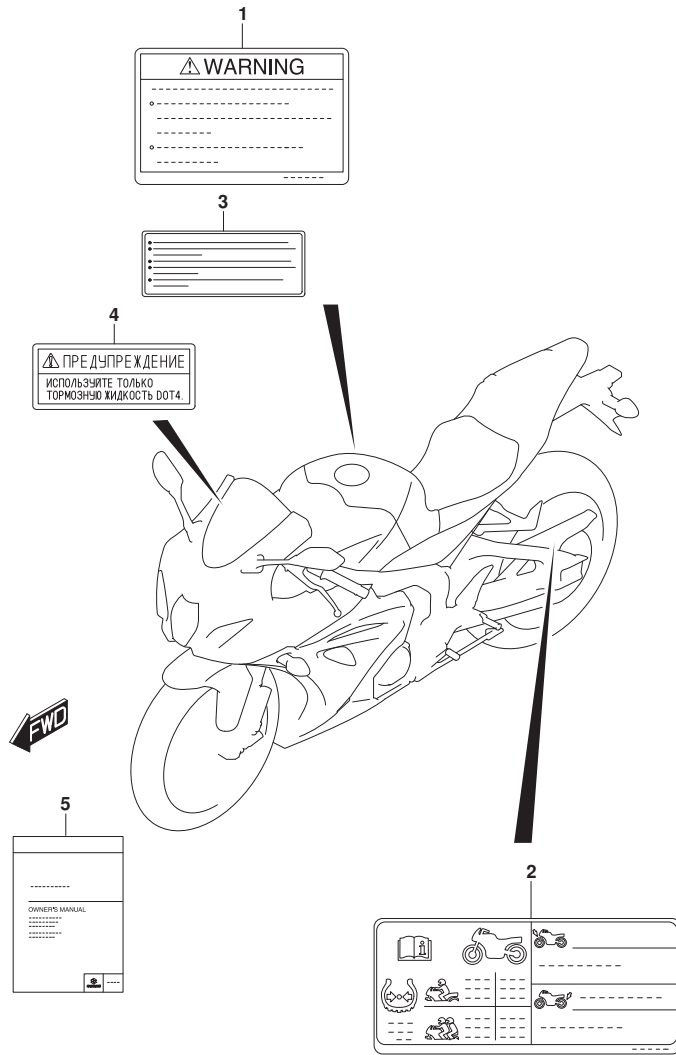


FIG.496B (1-1-4) LABEL (GSX-R1000RZL8 E21)

REF NO.	PART NO.	DESCRIPTION	Q'TY	REMARKS
2	68332-17K00	LABEL, TIRE INFORMATION	1	
3	18803-45G00	LABEL, FUEL INFORMATION	1	
4	68386-14J00	LABEL, BRAKE FLUID INFORMATION	2	FOR RUSSIAN
5-1	99011-17K51-01A	MANUAL, OWNER'S (ENGLISH)	1	
5-2	99011-17K51-01F	MANUAL, OWNER'S (FRENCH)	1	
5-3	99011-17K51-01K	MANUAL, OWNER'S (GERMAN)	1	
5-4	99011-17K51-01W	MANUAL, OWNER'S (SWEDISH)	1	
5-5	99011-17K51-01E	MANUAL, OWNER'S (ITALIAN)	1	
5-6	99011-17K51-01H	MANUAL, OWNER'S (DUTCH)	1	
5-7	99011-17K51-029	MANUAL, OWNER'S (SPANISH)	1	
5-8	99011-17K51-070	MANUAL, OWNER'S (RUSSIAN)	1	
5-9	99011-17K51-01T	MANUAL, OWNER'S (DANISH)	1	

FIG.496C

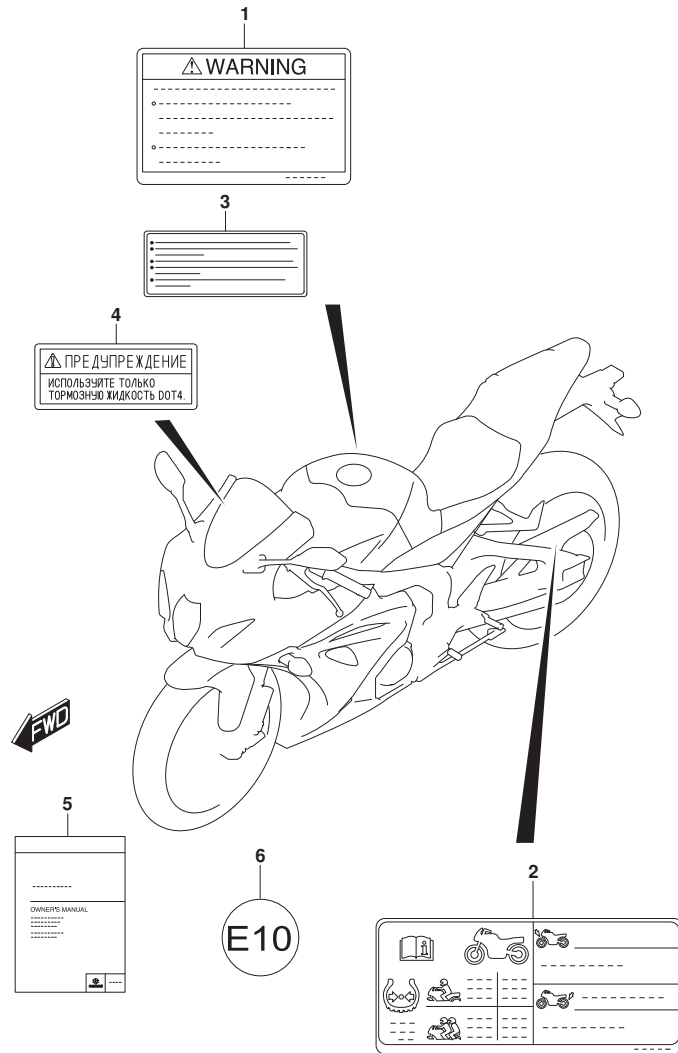


FIG.496C (1-1-5) LABEL (GSX-R1000RAL8 E21)

REF NO.	PART NO.	DESCRIPTION	Q'TY	REMARKS
1-1	68319-49J00	LABEL, GENERAL WARNING (ENGLISH)	1	
1-2	68319-49J20	LABEL, GENERAL WARNING (GERMAN)	1	
1-3	68319-49J30	LABEL, GENERAL WARNING (FRENCH)	1	
1-4	68319-49J40	LABEL, GENERAL WARNING (ITALIAN)	1	
1-5	68319-49J50	LABEL, GENERAL WARNING (SPANISH)	1	
1-6	68319-49J70	LABEL, GENERAL WARNING (DUTCH)	1	
1-7	68319-49J80	LABEL, GENERAL WARNING (PORTUGUESE)	1	
1-8	68319-49J90	LABEL, GENERAL WARNING (SWEDISH)	1	
1-9	68319-49JA0	LABEL, GENERAL WARNING (FINNISH)	1	
1-10	68319-49JB0	LABEL, GENERAL WARNING (NORWEGIAN)	1	
1-11	68319-49JC0	LABEL, GENERAL WARNING (DANISH)	1	
1-12	68319-49JP0	LABEL, GENERAL WARNING (RUSSIAN)	1	
1-13	68319-02K40	LABEL, GENERAL WARNING (ITALIAN)	1	
1-14	68319-02K90	LABEL, GENERAL WARNING (SWEDISH)	1	

FIG.496C

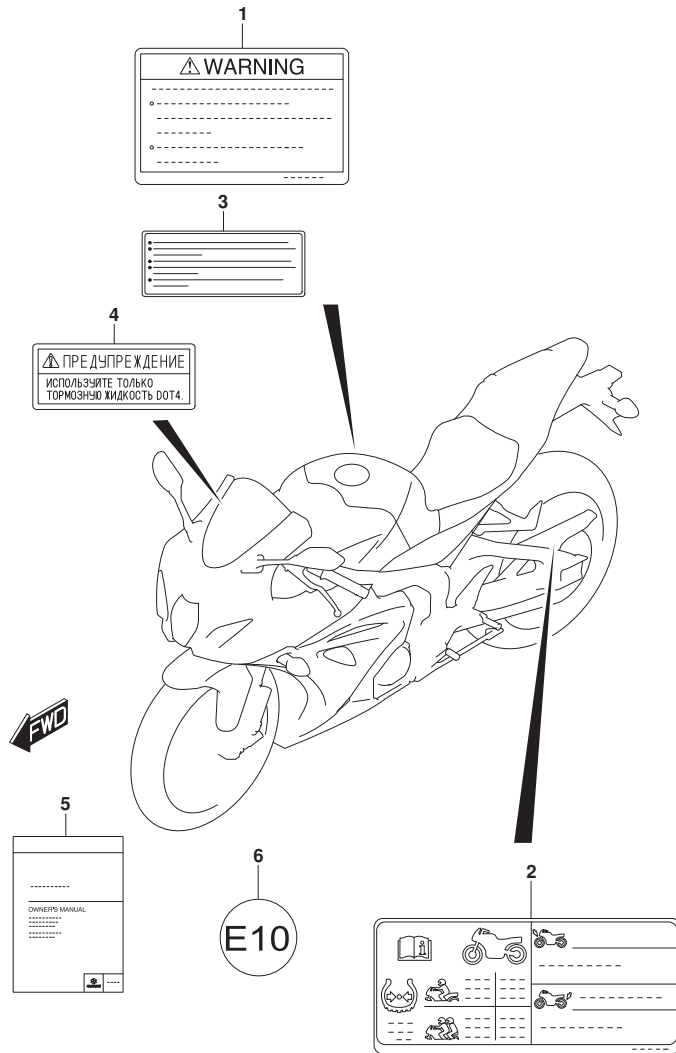


FIG.496C (1-I-6) LABEL (GSX-R1000RAL8 E21)

REF NO.	PART NO.	DESCRIPTION	Q'TY	REMARKS
2	68332-17K00	LABEL, TIRE INFORMATION	1	
3	18803-45G00	LABEL, FUEL INFORMATION	1	
4	68386-14J00	LABEL, BRAKE FLUID INFORMATION	2	FOR RUSSIAN
5-1	99011-17K51-01A	MANUAL, OWNER'S (ENGLISH)	1	
5-2	99011-17K51-01F	MANUAL, OWNER'S (FRENCH)	1	
5-3	99011-17K51-01K	MANUAL, OWNER'S (GERMAN)	1	
5-4	99011-17K51-01W	MANUAL, OWNER'S (SWEDISH)	1	
5-5	99011-17K51-01E	MANUAL, OWNER'S (ITALIAN)	1	
5-6	99011-17K51-01H	MANUAL, OWNER'S (DUTCH)	1	
5-7	99011-17K51-029	MANUAL, OWNER'S (SPANISH)	1	
5-8	99011-17K51-070	MANUAL, OWNER'S (RUSSIAN)	1	
5-9	99011-17K51-01T	MANUAL, OWNER'S (DANISH)	1	
6	11959-15H00	LABEL, GASOLINE (E10)	1	

FIG.505A

FIG.505A (1-I-7) SEAT

REF NO.	PART NO.	DESCRIPTION	Q'TY	REMARKS
1	45100-17K01-W05	SEAT ASSY (BLACK)	1	
2	45149-37H00	.CUSHION	1	
3	09321-10002	.CUSHION (11.5X22X20)	6	
4	45220-04K20	BRACKET, SEAT SUPPORT	1	
5	45241-17K00	SCREW	2	
6	45280-17K00	CABLE, SEAT LOCK	1	
7	45288-14F00	GUIDE, SEAT LOCK CABLE	1	
8	45289-11F00	PLATE, SEAT LOCK ASSY	1	
9	45300-17K00-W05	SEAT ASSY, PILLION (BLACK)	1	
10	45148-20G90	.CUSHION SEAT MOUNT	2	
11	45290-17K00	.STRIKER	1	
12	45380-17K00-W05	.BAND ASSY, SEAT (BLACK)	1	
13	09160-06126	.WASHER (6.5X14X2)	2	
14	08316-1006A	.NUT	2	
15	09251-09002	.CAP (OD:13.6)	2	
16	95700-14810	LOCK SET, SEAT	1	
17	08316-1006A	NUT	2	
18	96514-17K00	HEXAGON, SPANNER 5	1	
19	96514-17K10	HEXAGON, SPANNER 4	1	

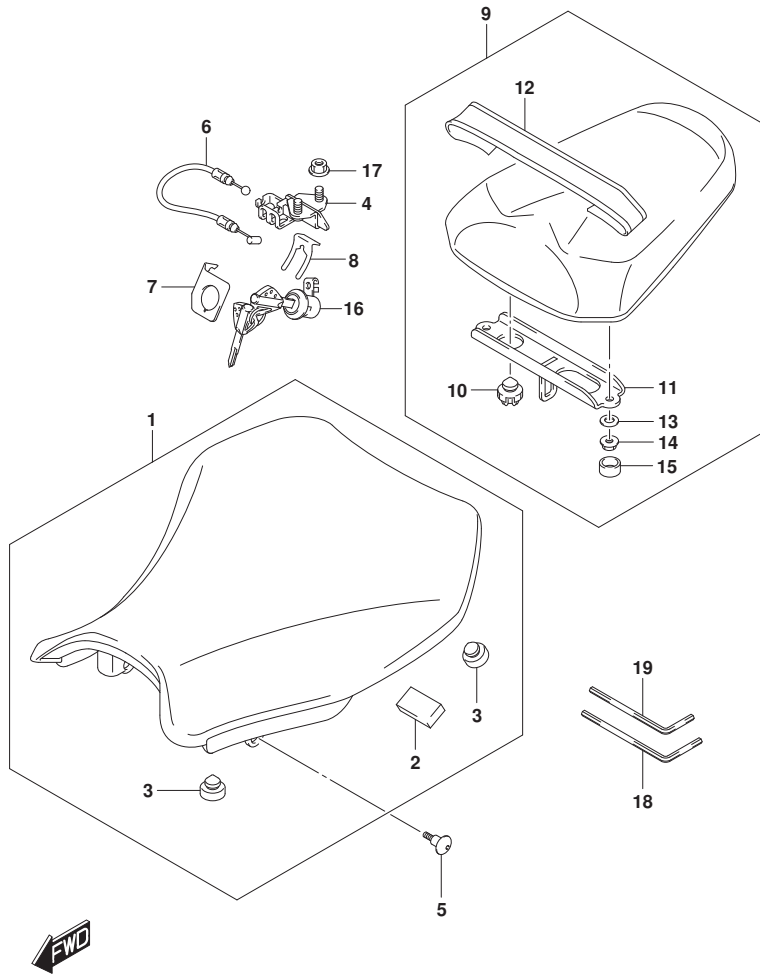


FIG.521A

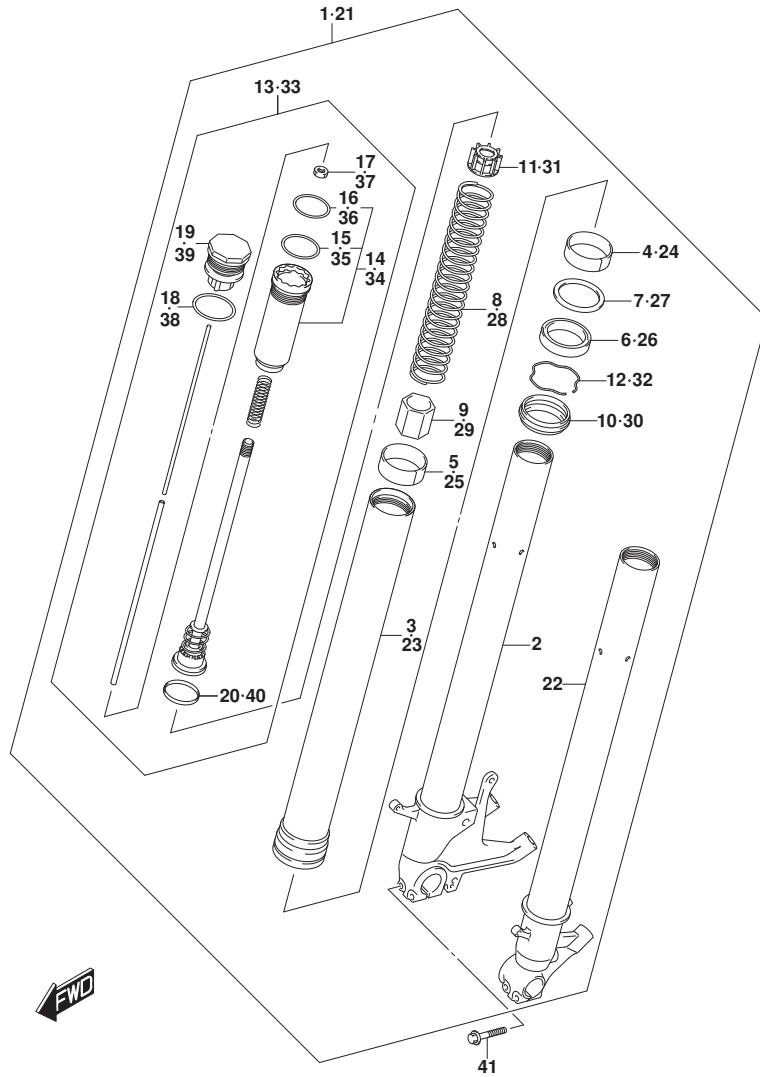


FIG.521A (1-I-8) FRONT FORK DAMPER (GSX-R1000AL8 E21)

REF NO.	PART NO.	DESCRIPTION	Q'TY	REMARKS
1	51103-17K00	DAMPER ASSY, FRONT FORK RH	1	
2	51110-17K00	.TUBE, INNER RH	1	
3	51131-17K00	.TUBE, OUTER	1	
4	51152-47H00	.BUSH, GUIDE	1	
5	51152-47H10	.BUSH, SLIDE	1	
6	51153-47H00	.SEAL, OIL	1	
7	51168-29G00	.SPACER, SEAL	1	
8	51171-47H20	.SPRING	1	
9	51176-47H20	.COLLAR, SPRING	1	
10	51173-27G00	.SEAL, DUST	1	
11	51175-47H00	.COLLAR, SPRING	1	
12	51556-38B00	.RING, STOPPER	1	
13	52110-17K00	.ROD, PISTON	1	
14	51174-17K00	..CASE, ROD GUIDE	1	
15	51118-47H00	...RING, PISTON	1	
16	51187-47H10	...O RING	1	
17	51827-29G00	..NUT	1	
18	51187-47H00	..O RING	1	
19	51189-17K00	..BOLT	1	
20	51118-47H20	..RING, PISTON	1	

FIG.521A

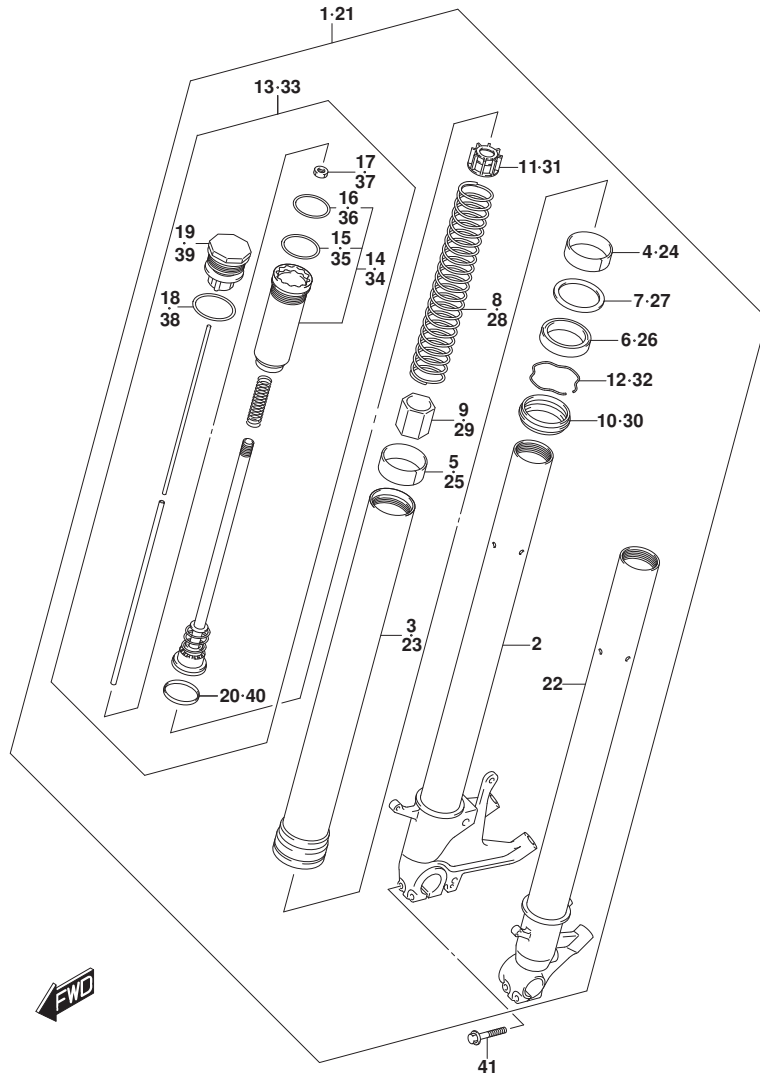


FIG.521A (1-I-9) FRONT FORK DAMPER (GSX-R1000AL8 E21)

REF NO.	PART NO.	DESCRIPTION	Q'TY	REMARKS
21	51104-17K00	DAMPER ASSY, FRONT FORK LH	1	
22	51120-17K00	.TUBE, INNER LH	1	
23	51131-17K00	.TUBE, OUTER	1	
24	51152-47H00	.BUSH, GUIDE	1	
25	51152-47H10	.BUSH, SLIDE	1	
26	51153-47H00	.SEAL, OIL	1	
27	51168-29G00	.SPACER, SEAL	1	
28	51171-47H20	.SPRING	1	
29	51176-47H20	.COLLAR, SPRING	1	
30	51173-27G00	.SEAL, DUST	1	
31	51175-47H00	.COLLAR, SPRING	1	
32	51556-38B00	.RING, STOPPER	1	
33	52110-17K00	.ROD, PISTON	1	
34	51174-17K00	..CASE, ROD GUIDE	1	
35	51118-47H00	...RING, PISTON	1	
36	51187-47H10	...O RING	1	
37	51827-29G00	..NUT	1	
38	51187-47H00	..O RING	1	
39	51189-17K00	..BOLT	1	
40	51118-47H20	..RING, PISTON	1	
41	51321-36F00	BOLT	4	

FIG.521B

FIG.521B (1-I-10) FRONT FORK DAMPER (GSX-R1000ZAL8 E21)

REF NO.	PART NO.	DESCRIPTION	Q'TY	REMARKS
1	51103-17K20	DAMPER ASSY, FRONT FORK RH	1	
2	51110-17K20	.TUBE, INNER RH	1	
3	51131-17K20	.TUBE, OUTER	1	
4	51152-47H00	.BUSH, GUIDE	1	
5	51153-27G00	.OIL SEAL	1	
6	51168-29G00	.SPACER, SEAL	1	
7	51171-17K10	.SPRING	1	
8	51198-17K10	.COLLAR, SPRING	1	
9	51173-27G00	.SEAL, DUST	1	
10	51175-17K10	.COLLAR, SPRING	1	
11	51556-38B00	.RING, STOPPER	1	
12	51827-29G00	.NUT	1	
13	51187-47H00	.O RING	1	
14	51189-17K20	.BOLT	1	
15	68281-17K10	.LABEL	1	

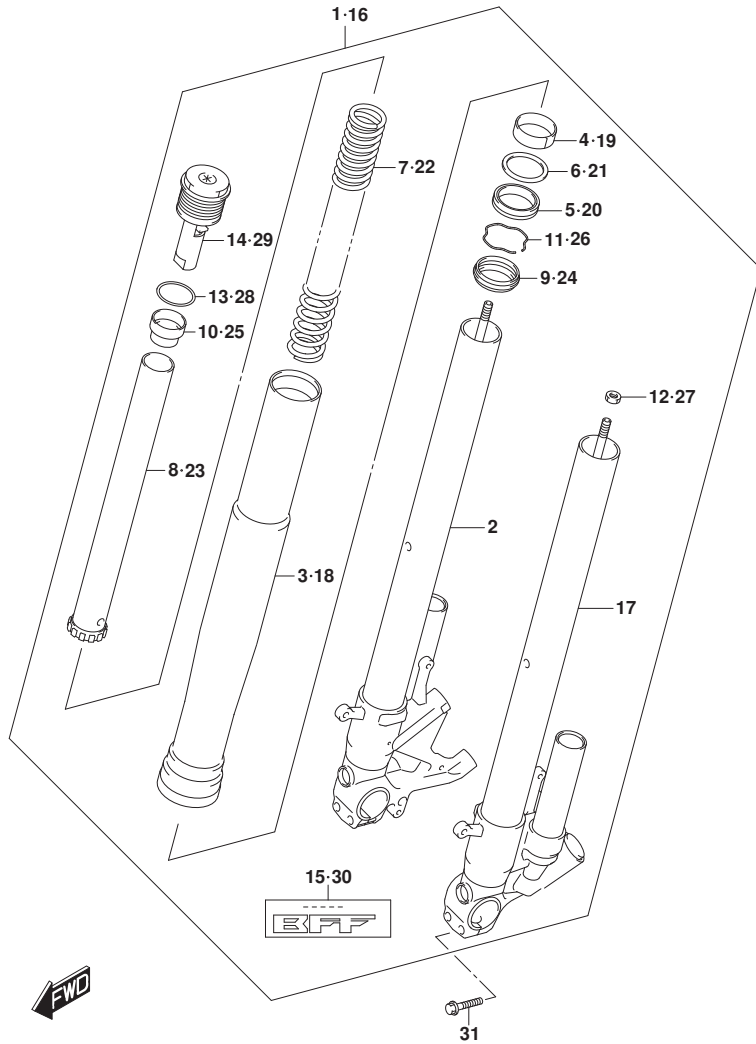


FIG.521B

FIG.521B (1-I-11) FRONT FORK DAMPER (GSX-R1000RZAL8 E21)

REF NO.	PART NO.	DESCRIPTION	Q'TY	REMARKS
16	51104-17K20	DAMPER ASSY, FRONT FORK LH	1	
17	51120-17K20	.TUBE, INNER LH	1	
18	51131-17K20	.TUBE, OUTER	1	
19	51152-47H00	.BUSH, GUIDE	1	
20	51153-27G00	.OIL SEAL	1	
21	51168-29G00	.SPACER, SEAL	1	
22	51171-17K10	.SPRING	1	
23	51198-17K10	.COLLAR, SPRING	1	
24	51173-27G00	.SEAL, DUST	1	
25	51175-17K10	.COLLAR, SPRING	1	
26	51556-38B00	.RING, STOPPER	1	
27	51827-29G00	.NUT	1	
28	51187-47H00	.O RING	1	
29	51189-17K20	.BOLT	1	
30	68281-17K10	.LABEL	1	
31	51321-36F00	BOLT	4	

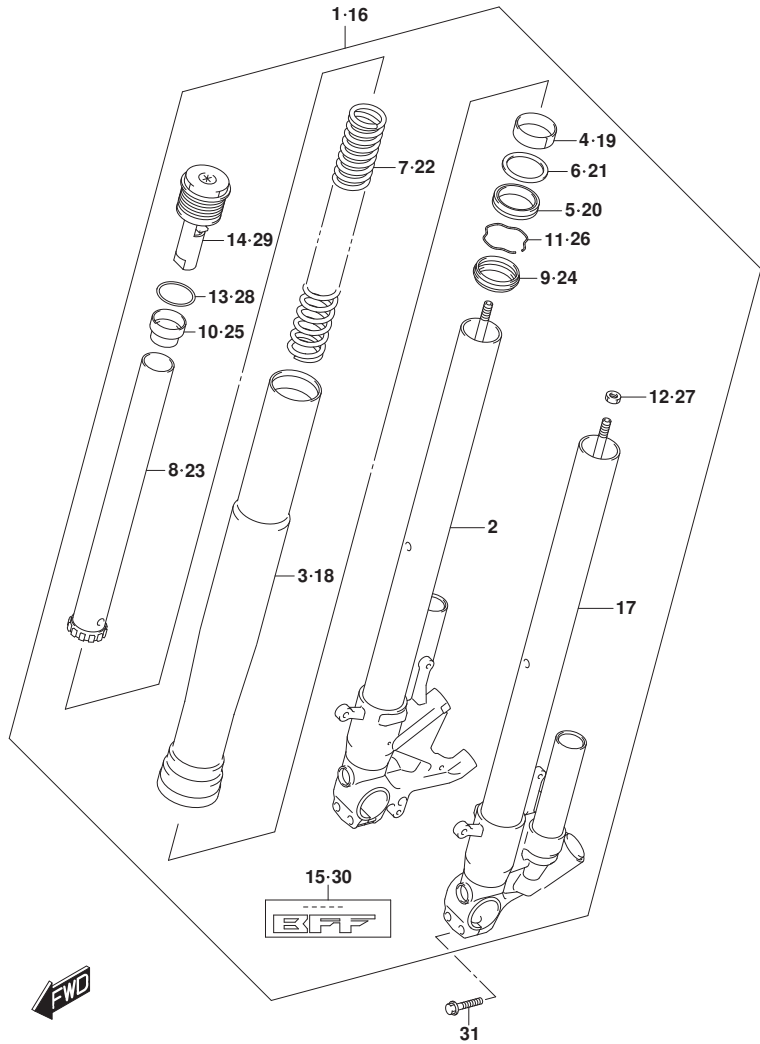


FIG.521C

FIG.521C (1-1-12) FRONT FORK DAMPER (GSX-R1000AL8 E21)

REF NO.	PART NO.	DESCRIPTION	Q'TY	REMARKS
1	51103-17K10	DAMPER ASSY, FRONT FORK RH	1	
2	51110-17K10	.TUBE, INNER RH	1	
3	51131-17K10	.TUBE, OUTER	1	
4	51152-47H00	.BUSH, GUIDE	1	
5	51153-27G00	.OIL SEAL	1	
6	51168-29G00	.SPACER, SEAL	1	
7	51171-17K10	.SPRING	1	
8	51198-17K10	.COLLAR, SPRING	1	
9	51173-27G00	.SEAL, DUST	1	
10	51175-17K10	.COLLAR, SPRING	1	
11	51556-38B00	.RING, STOPPER	1	
12	51827-29G00	.NUT	1	
13	51187-47H00	.O RING	1	
14	51189-17K10	.BOLT	1	
15	68281-17K10	.LABEL	1	

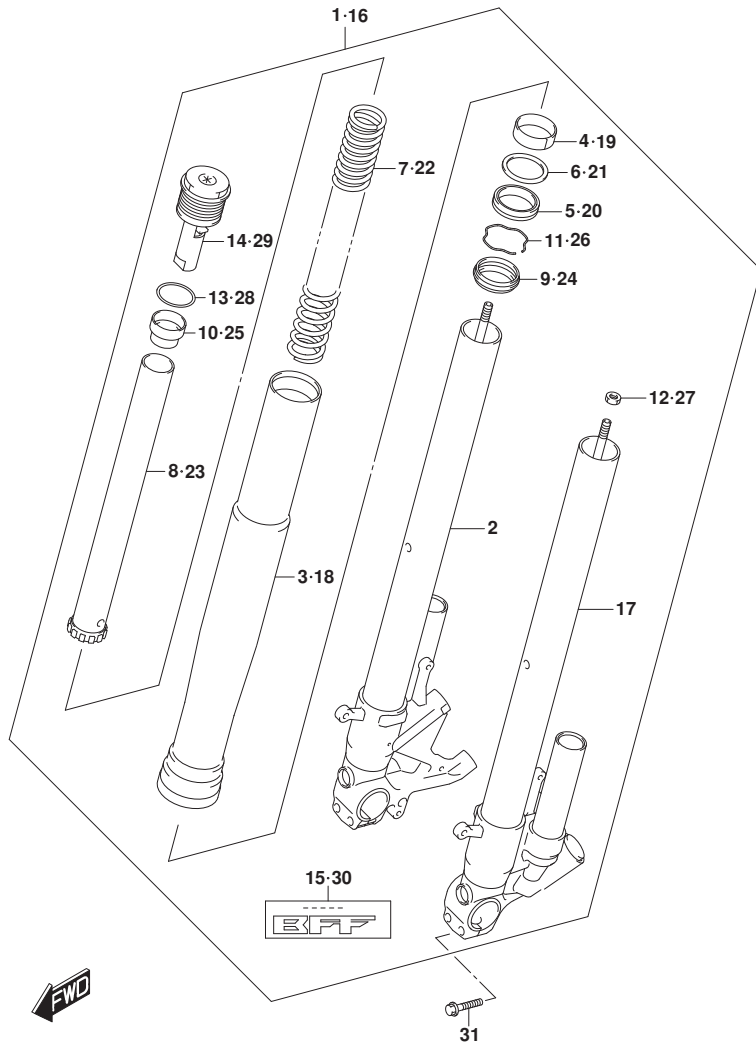


FIG.521C

FIG.521C (1-1-13) FRONT FORK DAMPER (GSX-R1000RAL8 E21)

REF NO.	PART NO.	DESCRIPTION	Q'TY	REMARKS
16	51104-17K10	DAMPER ASSY, FRONT FORK LH	1	
17	51120-17K10	.TUBE, INNER LH	1	
18	51131-17K10	.TUBE, OUTER	1	
19	51152-47H00	.BUSH, GUIDE	1	
20	51153-27G00	.OIL SEAL	1	
21	51168-29G00	.SPACER, SEAL	1	
22	51171-17K10	.SPRING	1	
23	51198-17K10	.COLLAR, SPRING	1	
24	51173-27G00	.SEAL, DUST	1	
25	51175-17K10	.COLLAR, SPRING	1	
26	51556-38B00	.RING, STOPPER	1	
27	51827-29G00	.NUT	1	
28	51187-47H00	.O RING	1	
29	51189-17K10	.BOLT	1	
30	68281-17K10	.LABEL	1	
31	51321-36F00	BOLT	4	

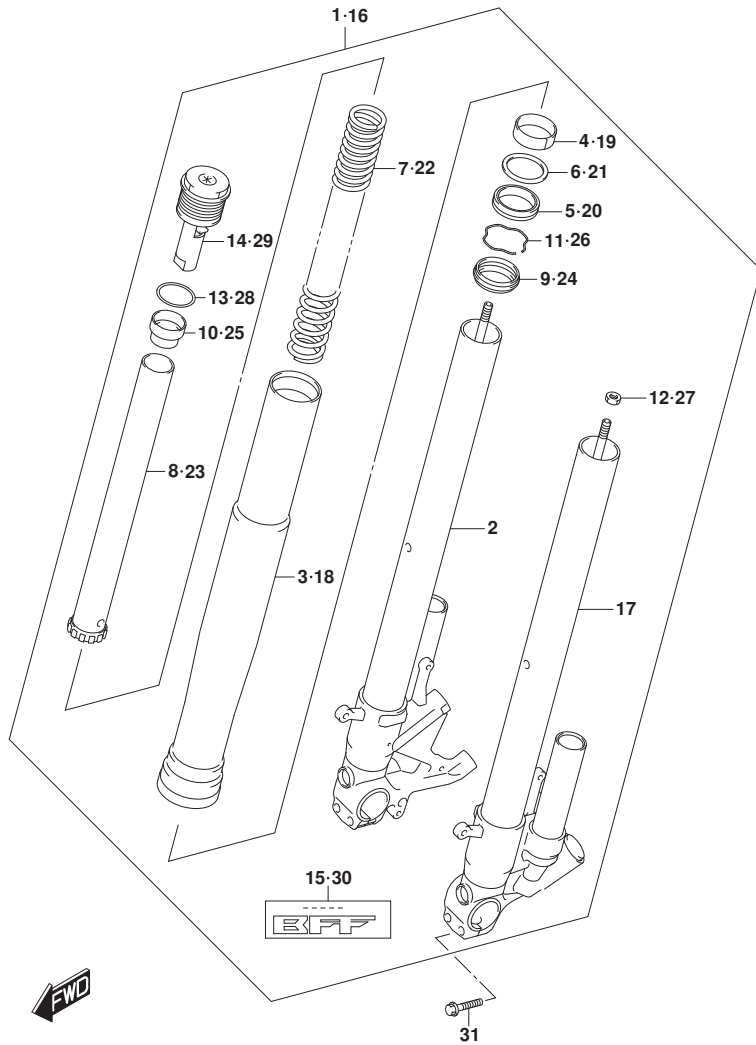


FIG.524A

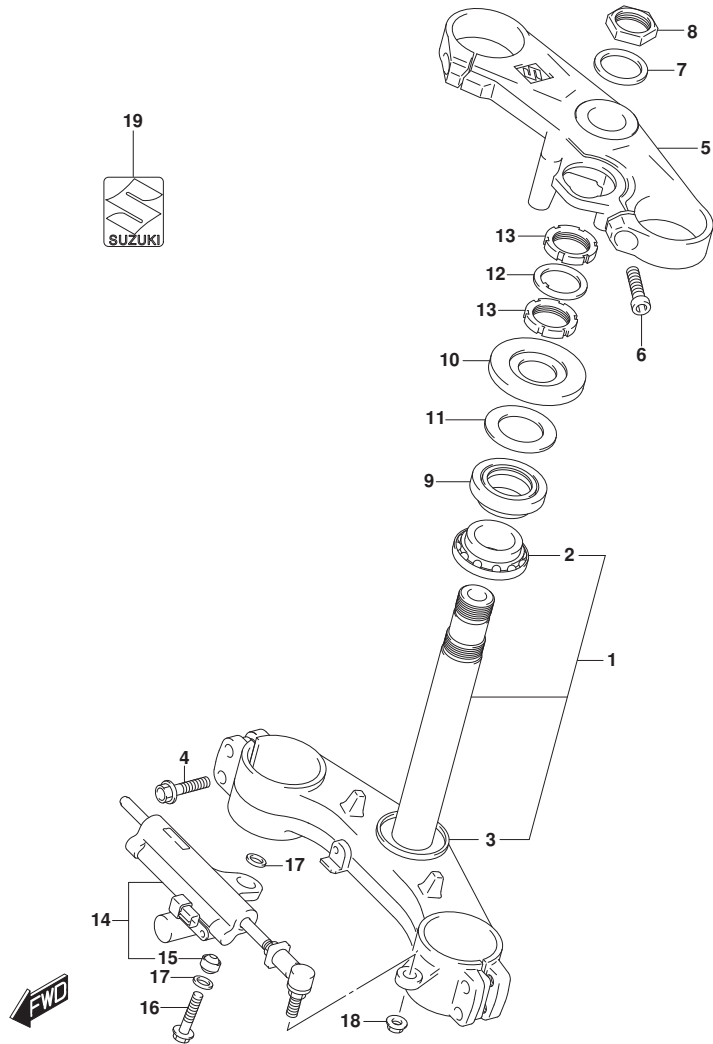


FIG.524A (1-I-14) STEERING STEM (GSX-R1000AL8 E21)

REF NO.	PART NO.	DESCRIPTION	Q'TY	REMARKS
1	51410-17K00	STEM, STEERING	1	
2	09267-30010	.BEARING (30X55X17)	1	
3	51644-12C00	.SEAL, STEM LOWER	1	
4	51328-27E30	BOLT	4	
5	51311-47H00	HEAD, STEERING STEM	1	
6	51321-27E30	BOLT, HOLDER (8X25)	2	
7	51354-01H00	WASHER	1	
8	51353-01H00	NUT, STEM HEAD	1	
9	09267-30010	BEARING (30X55X17)	1	
10	51643-41G00	COVER, STEERING UPPER	1	
11	51644-12C00	SEAL, UPPER DUST	1	
12	51641-33E00	WASHER, STEM	1	
13	51631-33E00	NUT, STEM	2	
14	51750-21H30	DAMPER ASSY, STEERING	1	
15	09269-08003	.BEARING (8X17.5X11)	1	
16	09103-08391	BOLT (8X35)	1	
17	64339-14101	SEAL, PILLOWBALL DUST	2	
18	08319-3108A	NUT	1	
19	68281-47HA0	EMBLEM, "S"	1	

FIG.524B

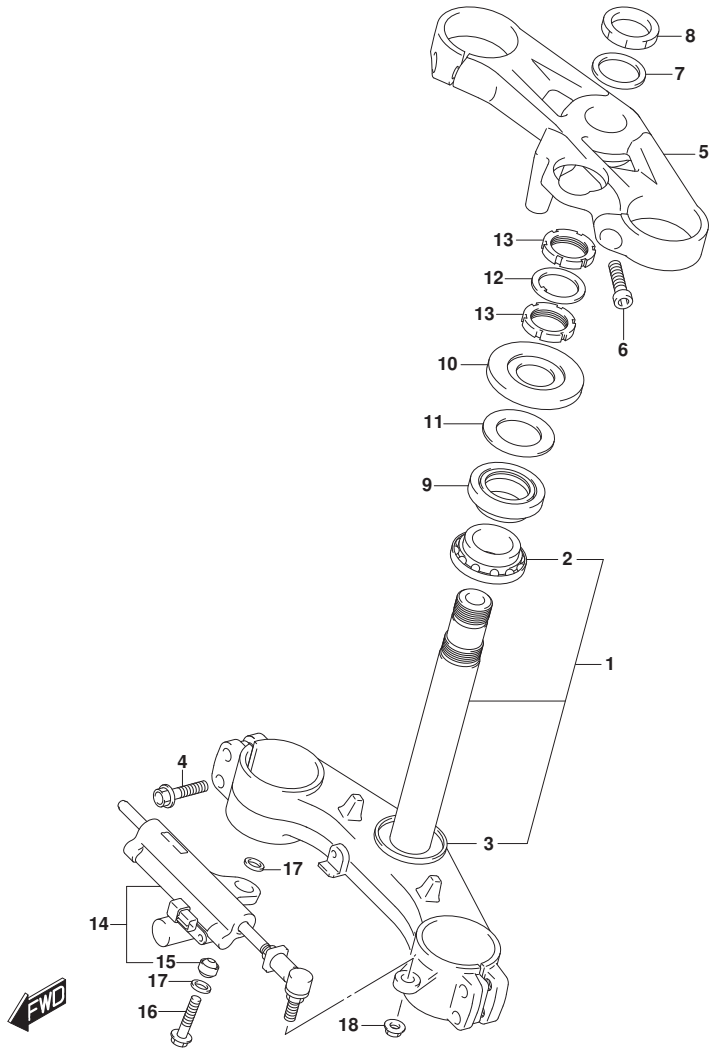


FIG.524B (1-I-15) STEERING STEM (GSX-R1000RZAL8 E21)

REF NO.	PART NO.	DESCRIPTION	Q'TY	REMARKS
1	51410-17K00	STEM, STEERING	1	
2	09267-30010	.BEARING (30X55X17)	1	
3	51644-12C00	.SEAL, STEM LOWER	1	
4	51328-27E30	BOLT	4	
5	51311-17K00	HEAD, STEERING STEM	1	
6	51321-27E30	BOLT, HOLDER (8X25)	2	
7	51354-01H00	WASHER	1	
8	51353-47H50	NUT, STEM HEAD	1	
9	09267-30010	BEARING (30X55X17)	1	
10	51643-41G00	COVER, STEERING UPPER	1	
11	51644-12C00	SEAL, UPPER DUST	1	
12	51641-33E00	WASHER, STEM	1	
13	51631-33E00	NUT, STEM	2	
14	51750-21H30	DAMPER ASSY, STEERING	1	
15	09269-08003	.BEARING (8X17.5X11)	1	
16	09103-08391	BOLT (8X35)	1	
17	64339-14101	SEAL, PILLOWBALL DUST	2	
18	08319-3108A	NUT	1	

FIG.524C

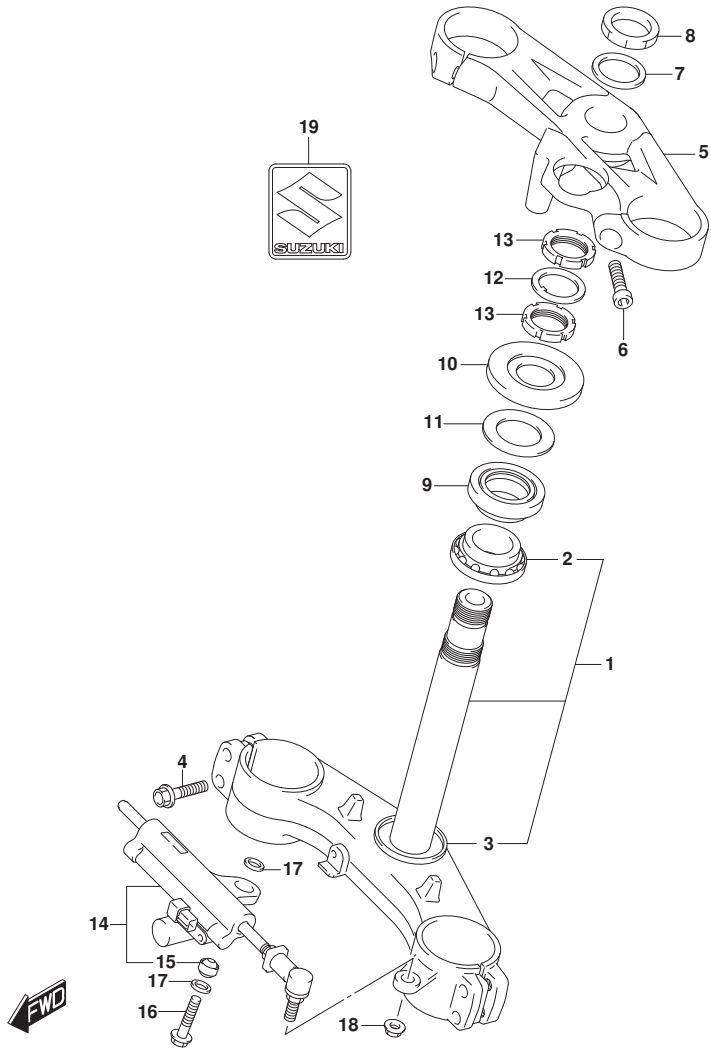


FIG.524C (1-J-2) STEERING STEM (GSX-R1000RAL8 E21)

REF NO.	PART NO.	DESCRIPTION	Q'TY	REMARKS
1	51410-17K00	STEM, STEERING	1	
2	09267-30010	.BEARING (30X55X17)	1	
3	51644-12C00	.SEAL, STEM LOWER	1	
4	51328-27E30	BOLT	4	
5	51311-17K00	HEAD, STEERING STEM	1	
6	51321-27E30	BOLT, HOLDER (8X25)	2	
7	51354-01H00	WASHER	1	
8	51353-15J30	NUT, STEM HEAD	1	
9	09267-30010	BEARING (30X55X17)	1	
10	51643-41G00	COVER, STEERING UPPER	1	
11	51644-12C00	SEAL, UPPER DUST	1	
12	51641-33E00	WASHER, STEM	1	
13	51631-33E00	NUT, STEM	2	
14	51750-21H30	DAMPER ASSY, STEERING	1	
15	09269-08003	.BEARING (8X17.5X11)	1	
16	09103-08391	BOLT (8X35)	1	
17	64339-14101	SEAL, PILLOWBALL DUST	2	
18	08319-3108A	NUT	1	
19	68281-47HA0	EMBLEM, "S"	1	

FIG.530A

FIG.530A (1-J-3) FRONT WHEEL (GSX-R1000AL8 E21) (FOR YWW)

REF NO.	PART NO.	DESCRIPTION	Q'TY	REMARKS
1	54111-17K00-YLY	WHEEL, FRONT (17M/CXMT3.50) (BLUE)	1	
2	54731-35F10	SPACER, HUB BEARING	1	
3	09262-25167	BEARING (25X52X15)	2	
4	09285-32004	OIL SEAL (32X52X7)	2	
5	54711-47H00	AXLE, FRONT	1	
6	54712-47H00	NUT, FRONT AXLE	1	
7	54751-41G10	SPACER, FRONT AXLE, RH	1	
8	59210-17K00	DISC, FRONT BRAKE	2	
9	54162-47H00	RING, SPEED SENSOR FR (48T)	1	
10	09106-06134	BOLT (6X23)	12	
11	55110-17K00	TIRE, FRONT (120/70ZR17M/C 58W)	1	BATTLAX RACING STREET RS10F E BRIDGESTONE
12	43130-24A00	VALVE ASSY, WHEEL RIM (TR412)	1	
13-1	55411-22H00	BALANCER, WHEEL NO.1	AR	10G
13-2	55412-22H00	BALANCER, WHEEL NO.2	AR	20G
13-3	55413-22H00	BALANCER, WHEEL NO.3	AR	30G

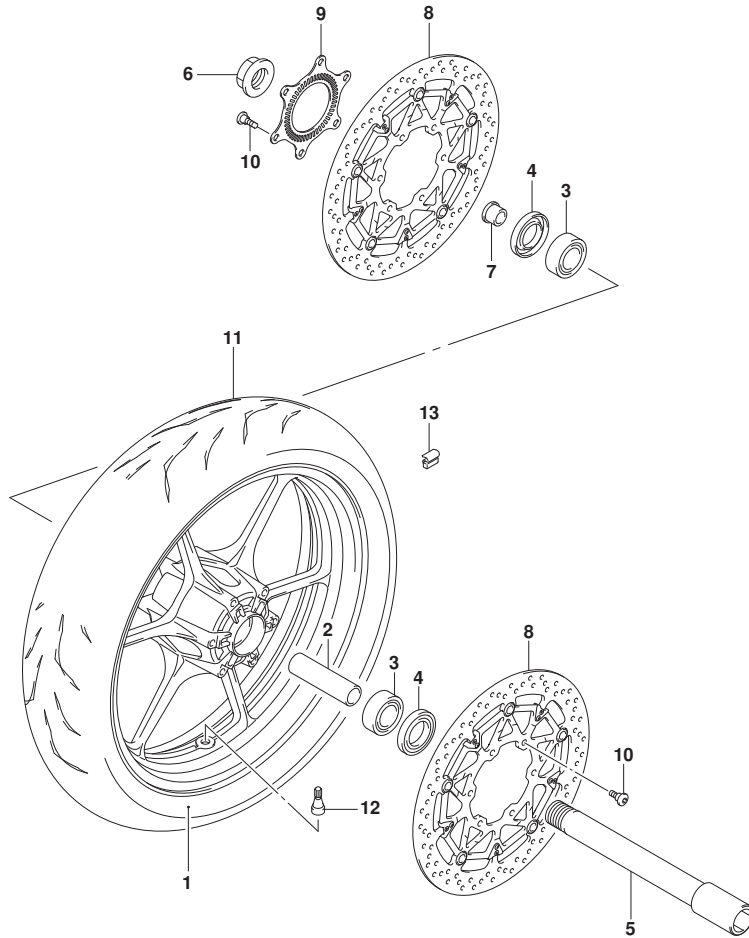


FIG.530B

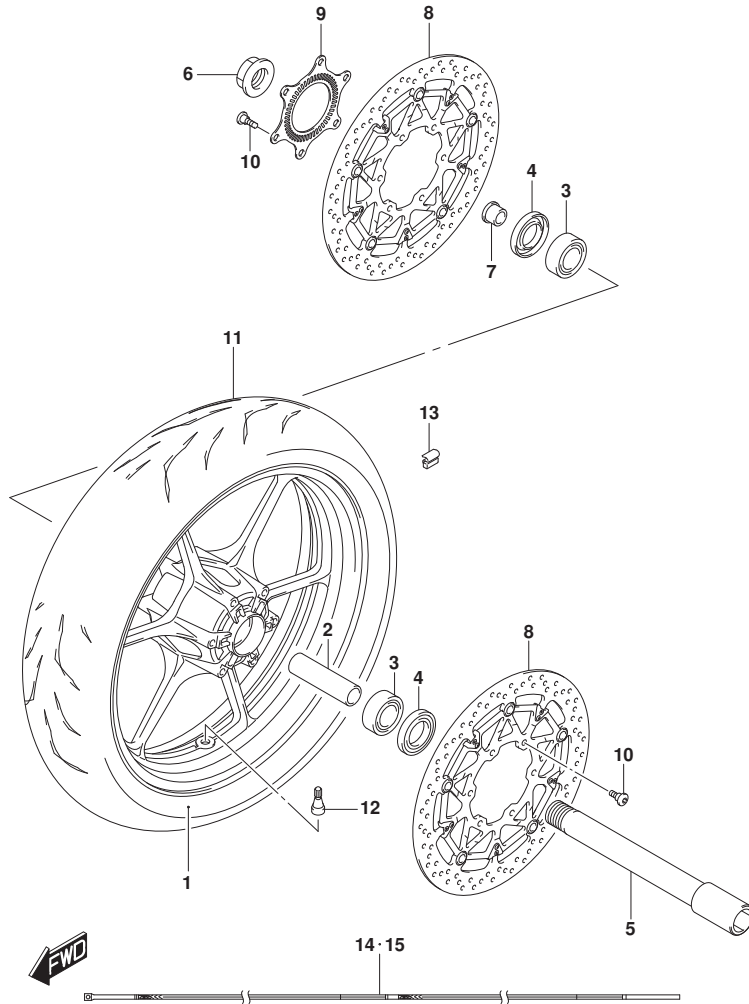


FIG.530B (1-J-4) FRONT WHEEL (GSX-R1000AL8 E21) (FOR YKV,YSF)

REF NO.	PART NO.	DESCRIPTION	Q'TY	REMARKS
1	54111-17K00-019	WHEEL, FRONT (17M/CXMT3.50) (BLACK)	1	
2	54731-35F10	SPACER, HUB BEARING	1	
3	09262-25167	BEARING (25X52X15)	2	
4	09285-32004	OIL SEAL (32X52X7)	2	
5	54711-47H00	AXLE, FRONT	1	
6	54712-47H00	NUT, FRONT AXLE	1	
7	54751-41G10	SPACER, FRONT AXLE, RH	1	
8	59210-17K00	DISC, FRONT BRAKE	2	
9	54162-47H00	RING, SPEED SENSOR FR (48T)	1	
10	09106-06134	BOLT (6X23)	12	
11	55110-17K00	TIRE, FRONT (120/70ZR17M/C 58W)	1	BATTLAX RACING STREET RS10F E BRIDGESTONE
12	43130-24A00	VALVE ASSY, WHEEL RIM (TR412)	1	
13-1	55411-22H00	BALANCER, WHEEL NO.1	AR	10G
13-2	55412-22H00	BALANCER, WHEEL NO.2	AR	20G
13-3	55413-22H00	BALANCER, WHEEL NO.3	AR	30G
14-1	68251-17K00-BQW	TAPE, RH	1	FOR YKV
14-2	68251-17K10-A3G	TAPE, RH	1	FOR YSF
15-1	68252-17K00-BQW	TAPE, LH	1	FOR YKV
15-2	68252-17K10-A3G	TAPE, LH	1	FOR YSF

FIG.530C

FIG.530C (1-J-5) FRONT WHEEL (GSX-R1000RZAL8 E21)

REF NO.	PART NO.	DESCRIPTION	Q'TY	REMARKS
1	54111-17K00-YL	WHEEL, FRONT (17M/CXMT3.50) (BLUE)	1	
2	54731-35F10	SPACER, HUB BEARING	1	
3	09262-25167	BEARING (25X52X15)	2	
4	09285-32004	OIL SEAL (32X52X7)	2	
5	54711-47H00	AXLE, FRONT	1	
6	54712-47H00	NUT, FRONT AXLE	1	
7	54751-41G10	SPACER, FRONT AXLE, RH	1	
8	59210-17K00	DISC, FRONT BRAKE	2	
9	54162-47H00	RING, SPEED SENSOR FR (48T)	1	
10	09106-06134	BOLT (6X23)	12	
11	55110-17K00	TIRE, FRONT (120/70ZR17M/C 58W)	1	BATTLAX RACING STREET RS10F E BRIDGESTONE
12	43130-24A00	VALVE ASSY, WHEEL RIM (TR412)	1	
13-1	55411-22H00	BALANCER, WHEEL NO.1	AR	10G
13-2	55412-22H00	BALANCER, WHEEL NO.2	AR	20G
13-3	55413-22H00	BALANCER, WHEEL NO.3	AR	30G

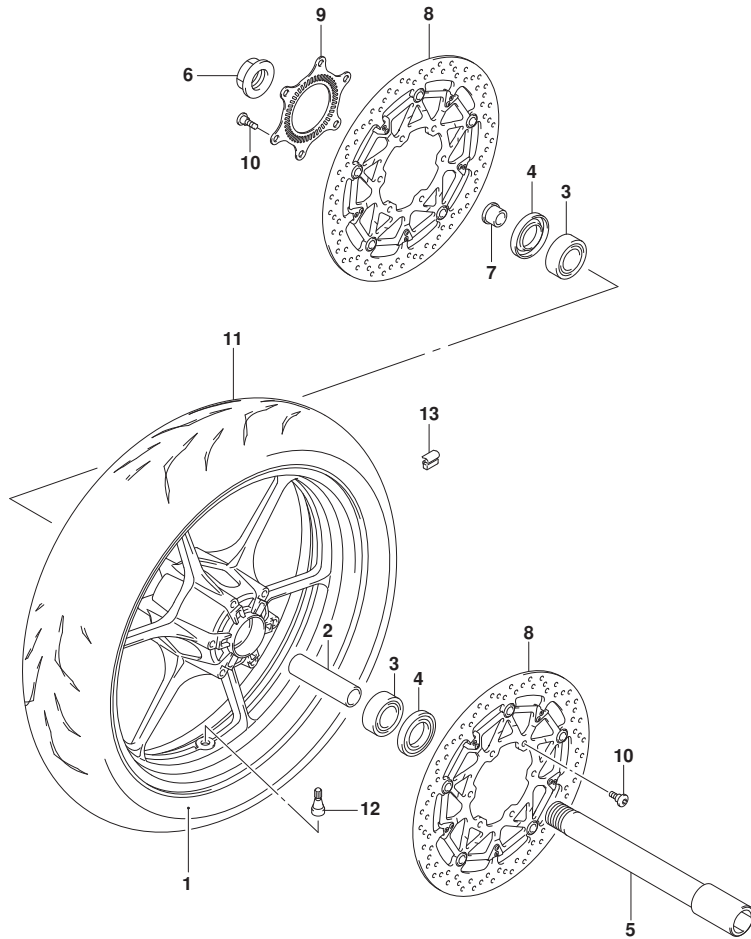


FIG.530D

FIG.530D (1-J-6) FRONT WHEEL (GSX-R1000RAL8 E21)

REF NO.	PART NO.	DESCRIPTION	Q'TY	REMARKS
1	54111-17K00-019	WHEEL, FRONT (17M/CXMT3.50) (BLACK)	1	
2	54731-35F10	SPACER, HUB BEARING	1	
3	09262-25167	BEARING (25X52X15)	2	
4	09285-32004	OIL SEAL (32X52X7)	2	
5	54711-47H00	AXLE, FRONT	1	
6	54712-47H00	NUT, FRONT AXLE	1	
7	54751-41G10	SPACER, FRONT AXLE, RH	1	
8	59210-17K00	DISC, FRONT BRAKE	2	
9	54162-47H00	RING, SPEED SENSOR FR (48T)	1	
10	09106-06134	BOLT (6X23)	12	
11	55110-17K00	TIRE, FRONT (120/70ZR17M/C 58W)	1	BATTLAX RACING STREET RS10F E BRIDGESTONE
12	43130-24A00	VALVE ASSY, WHEEL RIM (TR412)	1	
13-1	55411-22H00	BALANCER, WHEEL NO.1	AR	10G
13-2	55412-22H00	BALANCER, WHEEL NO.2	AR	20G
13-3	55413-22H00	BALANCER, WHEEL NO.3	AR	30G
14	68251-17K10-A3G	TAPE, RH	1	
15	68252-17K10-A3G	TAPE, LH	1	

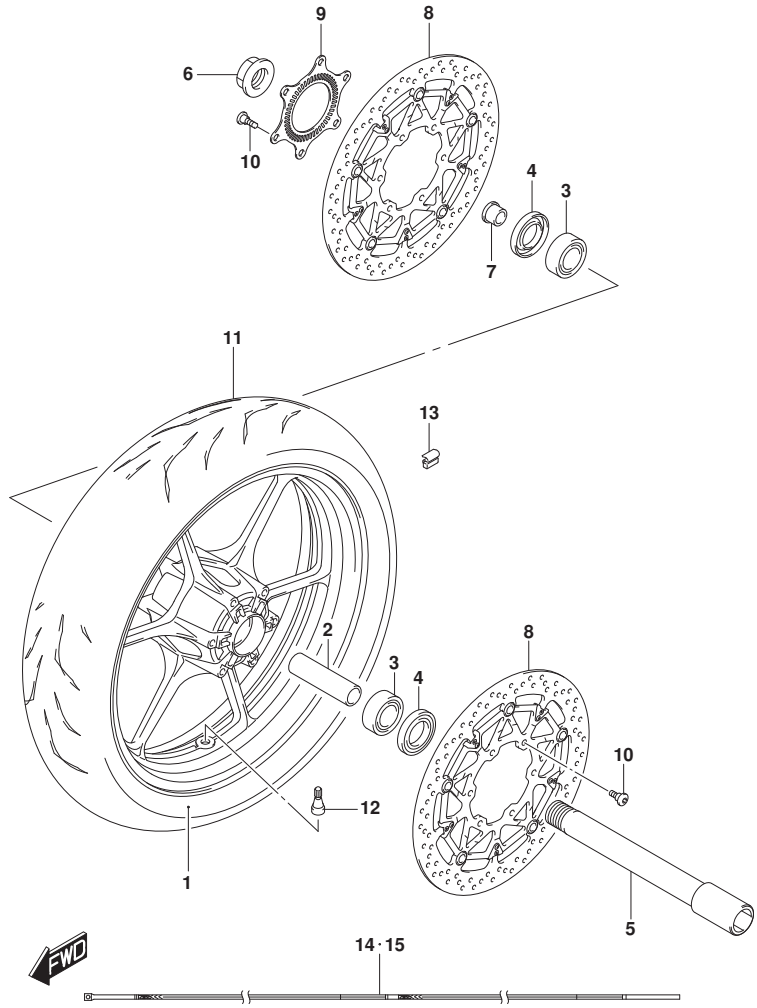


FIG.533A

FIG.533A (1-J-7) HYDRAULIC UNIT (GSX-R1000AL8 E21)

REF NO.	PART NO.	DESCRIPTION	Q'TY	REMARKS
1	55610-17K00	UNIT ASSY, HYDRAULIC ABS	1	
2	55660-17K00	HOLDER, HYDR UNIT	1	
3	55662-17K00	SPACER, HYDR UNIT MTG	3	
4	09139-06207	BOLT	3	
5	09160-06088	WASHER (6.5X20X1.6)	3	
6	09320-10066	RUBBER	3	
7	07130-0612A	BOLT	2	

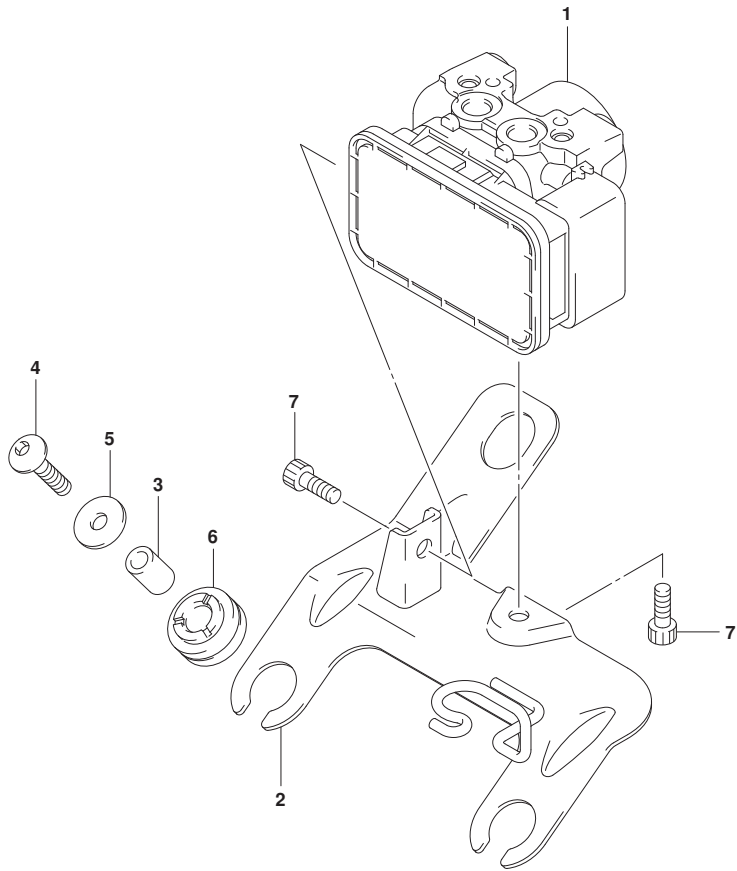


FIG.533B

FIG.533B (1-J-8) HYDRAULIC UNIT (GSX-R1000RZAL8 E21)

REF NO.	PART NO.	DESCRIPTION	Q'TY	REMARKS
1	55610-17K10	UNIT ASSY, HYDRAULIC ABS	1	
2	55660-17K00	HOLDER, HYDR UNIT	1	
3	55662-17K00	SPACER, HYDR UNIT MTG	3	
4	09139-06207	BOLT	3	
5	09160-06088	WASHER (6.5X20X1.6)	3	
6	09320-10066	RUBBER	3	
7	07130-0612A	BOLT	2	

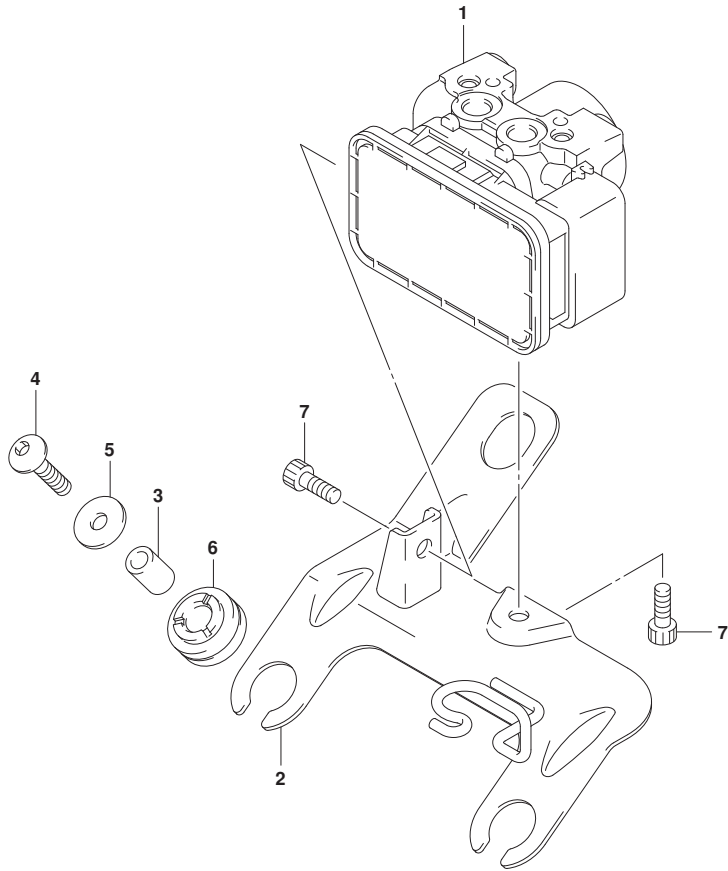


FIG.533C

FIG.533C (1-J-9) HYDRAULIC UNIT (GSX-R1000RAL8 E21)

REF NO.	PART NO.	DESCRIPTION	Q'TY	REMARKS
1	55610-17K10	UNIT ASSY, HYDRAULIC ABS	1	
2	55660-17K00	HOLDER, HYDR UNIT	1	
3	55662-17K00	SPACER, HYDR UNIT MTG	3	
4	09139-06207	BOLT	3	
5	09160-06088	WASHER (6.5X20X1.6)	3	
6	09320-10066	RUBBER	3	
7	07130-0612A	BOLT	2	

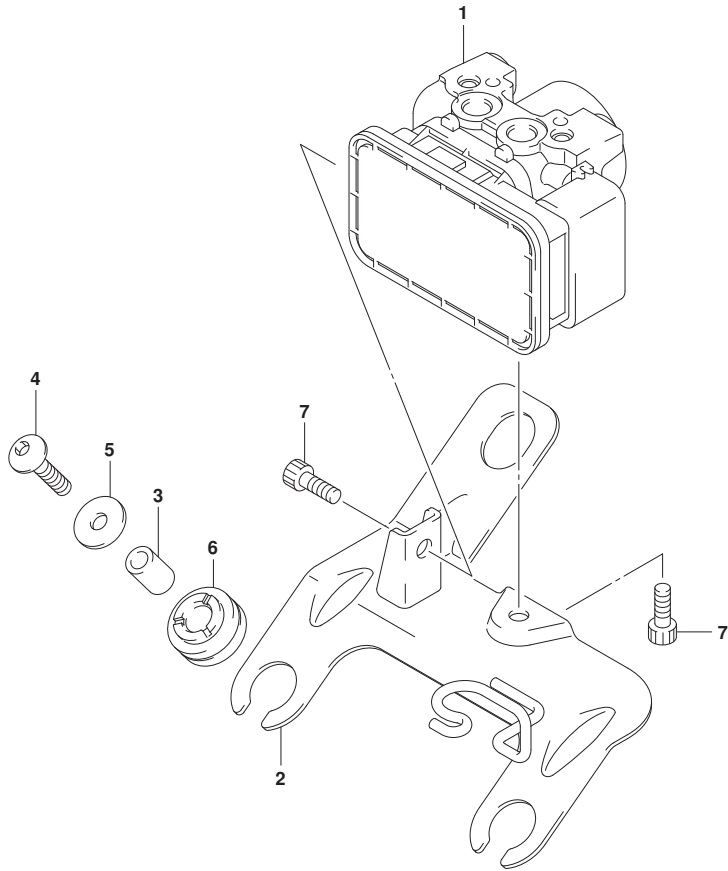


FIG.534A

FIG.534A (1-J-10) BODY ELECTRICAL (GSX-R1000AL8 E21)

REF NO.	PART NO.	DESCRIPTION	Q'TY	REMARKS
1	55710-17K00	SENSOR, FR WHEEL SPEED	1	
2	55731-15H00	CLAMP, ABS SENSOR FR	2	
3	55750-17K00	SENSOR, INERTIAL	1	
4	55760-17K10	HOLDER, INERTIAL SENSOR	1	
5	55763-17K00	RUBBER, INERTIAL SENSOR MTG	3	
6	55770-17K00	BRACKET, SENSOR HOLDER	1	
7	55772-17K00	SPACER, SENSOR HOLDER BRKT	3	
8	65710-17K00	SENSOR, RR WHEEL SPEED	1	
9	09139-06139	SCREW (6X16)	3	
10	09139-06208	BOLT	3	
11	09180-06331	SPACER (6.2X8.4X10.9)	3	
12	09408-00101	CLIP	1	
13	09408-00266	CLAMP	3	FRONT
14	09408-00266	CLAMP	5	REAR
15	01547-0612A	BOLT	1	
16	01547-0616B	BOLT	2	
17	01547-0616B	BOLT	1	
18	07120-0616A	BOLT	2	
19	08316-1006A	NUT	3	

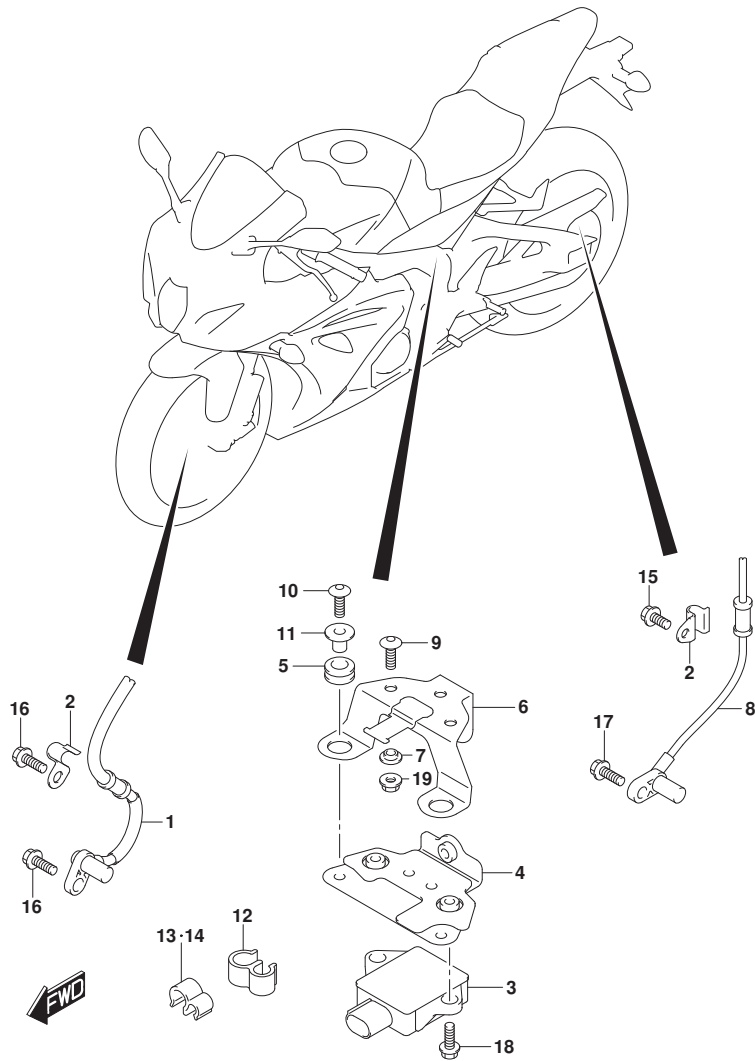


FIG.534B

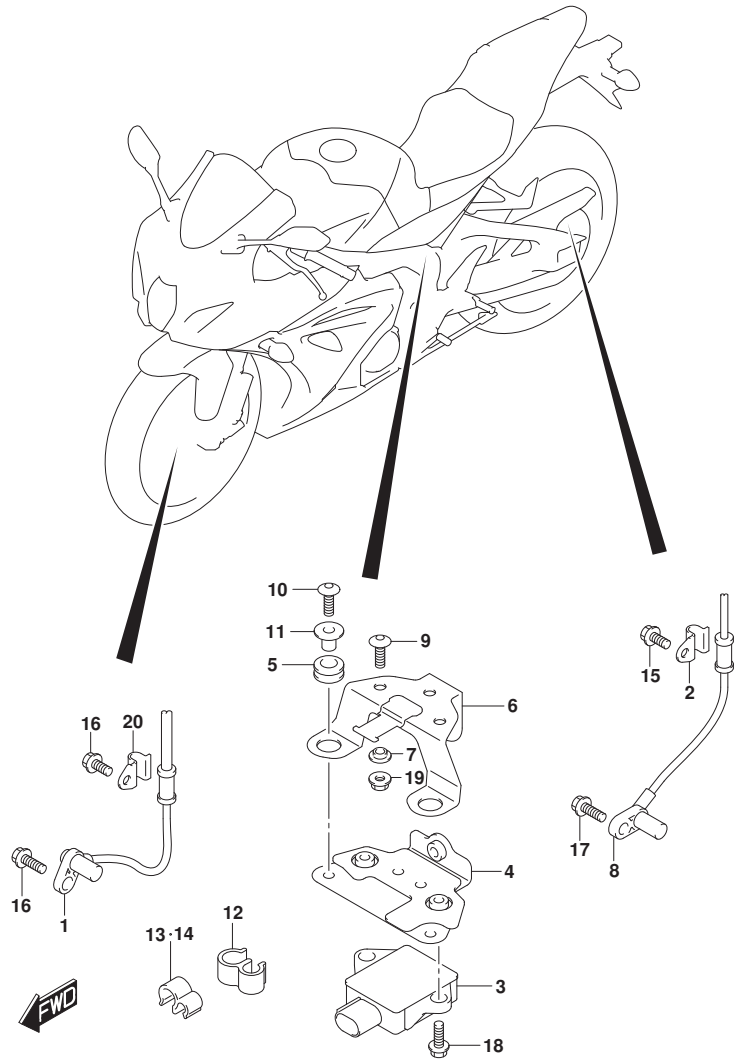


FIG.534B (1-J-11) BODY ELECTRICAL (GSX-R1000RZAL8 E21)

REF NO.	PART NO.	DESCRIPTION	Q'TY	REMARKS
1	55710-17K20	SENSOR, FR WHEEL SPEED	1	
2	55731-15H00	CLAMP, SENSOR LEAD	1	
3	55750-17K10	SENSOR, INERTIAL	1	
4	55760-17K10	HOLDER, INERTIAL SENSOR	1	
5	55763-17K00	RUBBER, INERTIAL SENSOR MTG	3	
6	55770-17K00	BRACKET, SENSOR HOLDER	1	
7	55772-17K00	SPACER, SENSOR HOLDER BRKT	3	
8	65710-17K00	SENSOR, RR WHEEL SPEED	1	
9	09139-06139	SCREW (6X16)	3	
10	09139-06208	BOLT	3	
11	09180-06331	SPACER (6.2X8.4X10.9)	3	
12	09408-00101	CLIP	1	
13	09408-00266	CLAMP	3	FRONT
14	09408-00266	CLAMP	5	REAR
15	01547-0612A	BOLT	1	
16	01547-0616B	BOLT	2	
17	01547-0616B	BOLT	1	
18	07120-0616A	BOLT	2	
19	08316-1006A	NUT	3	
20	55731-17K00	CLAMP, SENSOR LEAD	1	

FIG.534C

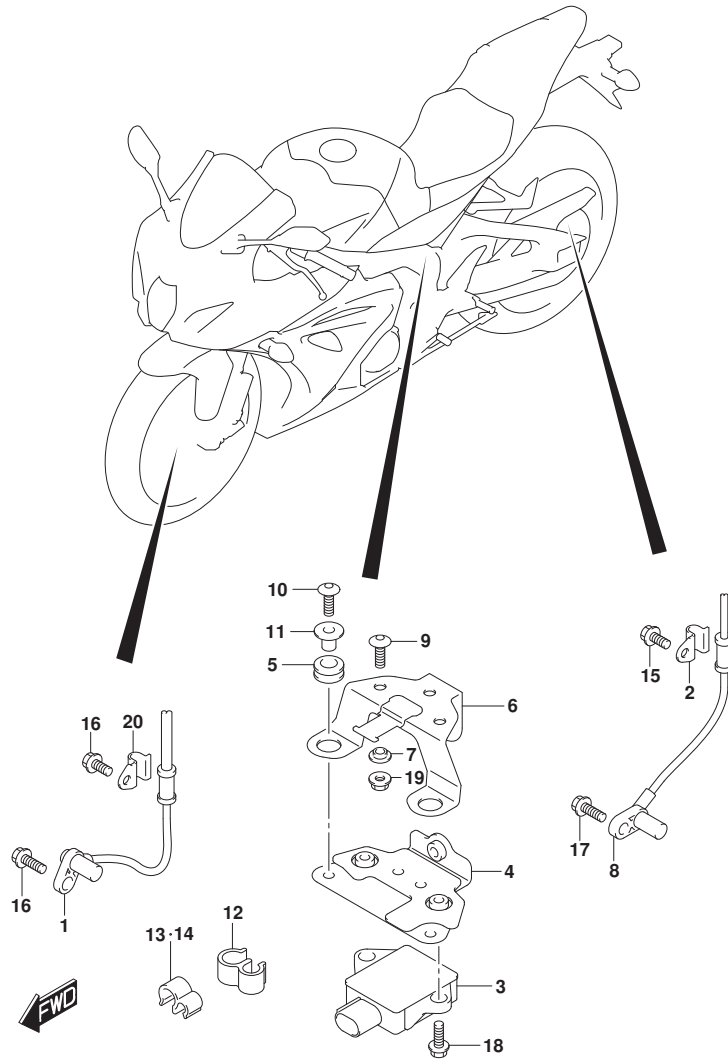


FIG.534C (1-J-12) BODY ELECTRICAL (GSX-R1000RAL8 E21)

REF NO.	PART NO.	DESCRIPTION	Q'TY	REMARKS
1	55710-17K20	SENSOR, FR WHEEL SPEED	1	
2	55731-15H00	CLAMP, SENSOR LEAD	1	
3	55750-17K10	SENSOR, INERTIAL	1	
4	55760-17K10	HOLDER, INERTIAL SENSOR	1	
5	55763-17K00	RUBBER, INERTIAL SENSOR MTG	3	
6	55770-17K00	BRACKET, SENSOR HOLDER	1	
7	55772-17K00	SPACER, SENSOR HOLDER BRKT	3	
8	65710-17K00	SENSOR, RR WHEEL SPEED	1	
9	09139-06139	SCREW (6X16)	3	
10	09139-06208	BOLT	3	
11	09180-06331	SPACER (6.2X8.4X10.9)	3	
12	09408-00101	CLIP	1	
13	09408-00266	CLAMP	3	FRONT
14	09408-00266	CLAMP	5	REAR
15	01547-0612A	BOLT	1	
16	01547-0616B	BOLT	2	
17	01547-0616B	BOLT	1	
18	07120-0616A	BOLT	2	
19	08316-1006A	NUT	3	
20	55731-17K00	CLAMP, SENSOR LEAD	1	

FIG.535A

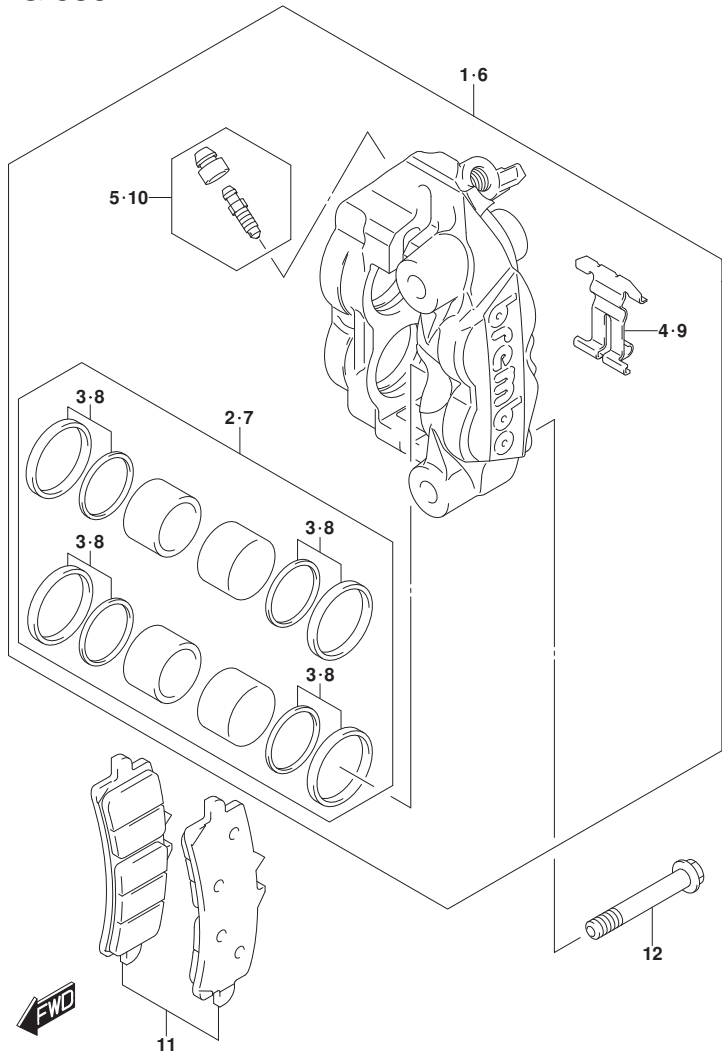


FIG.535A (1-J-13) FRONT CALIPER

REF NO.	PART NO.	DESCRIPTION	QTY	REMARKS
1	59100-14J40-999	CALIPER ASSY, FRONT RH	1	
2	59100-14810	.PISTON SET	1	
3	59100-14820	..SEAL SET, PISTON	1	
4	59151-14J00	.SPRING, PAD	1	
5	59100-14840	.BLEEDER SET	1	
6	59300-14J40-999	CALIPER ASSY, FRONT LH	1	
7	59100-14810	.PISTON SET	1	
8	59100-14820	..SEAL SET, PISTON	1	
9	59151-14J00	.SPRING, PAD	1	
10	59100-14840	.BLEEDER SET	1	
11	59100-14870	PAD SET	2	
12	09103-10450	BOLT (10X70)	4	

FIG.536A

FIG.536A (1-J-14) FRONT BRAKE HOSE (GSX-R1000AL8 E21)

REF NO.	PART NO.	DESCRIPTION	Q'TY	REMARKS
1	59200-17K00	HOSE ASSY, FR MASTER TO UNIT	1	
2	59240-17K00	HOSE, FRONT BRAKE NO.2	1	
3	59270-17K00	CLAMP, FRONT BRAKE HOSE	1	
4	59400-17K00	HOSE ASSY, FR UNIT TO CLPR	1	
5	09161-10009	WASHER (10X15X1.5)	11	
6	09360-10062	UNION	4	
7	09360-10064	UNION	1	
8	09403-07409	CLAMP	1	
9	09403-16412	CLAMP	1	
10	01547-0612A	BOLT	1	
11	01550-0612A	BOLT	1	

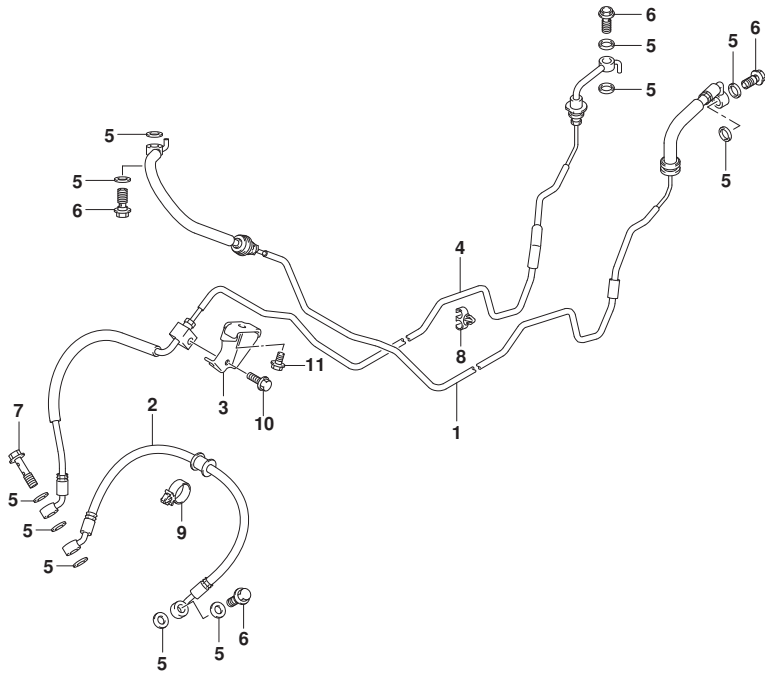


FIG.536B

FIG.536B (1-J-15) FRONT BRAKE HOSE (GSX-R1000RZAL8 E21)

REF NO.	PART NO.	DESCRIPTION	Q'TY	REMARKS
1	59200-17K00	HOSE ASSY, FR MASTER TO UNIT	1	
2	59240-17K00	HOSE, CLPR R TO CLPR L	1	
3	59270-17K00	CLAMP, FRONT BRAKE HOSE	1	
4	59400-17K10	HOSE ASSY, UNIT TO FR CLPR	1	
5	09161-10009	WASHER (10X15X1.5)	11	
6	09360-10062	UNION	4	
7	09360-10064	UNION	1	
8	09403-07409	CLAMP	1	
9	09403-16412	CLAMP	1	
10	01547-0612A	BOLT	1	
11	01550-0612A	BOLT	1	

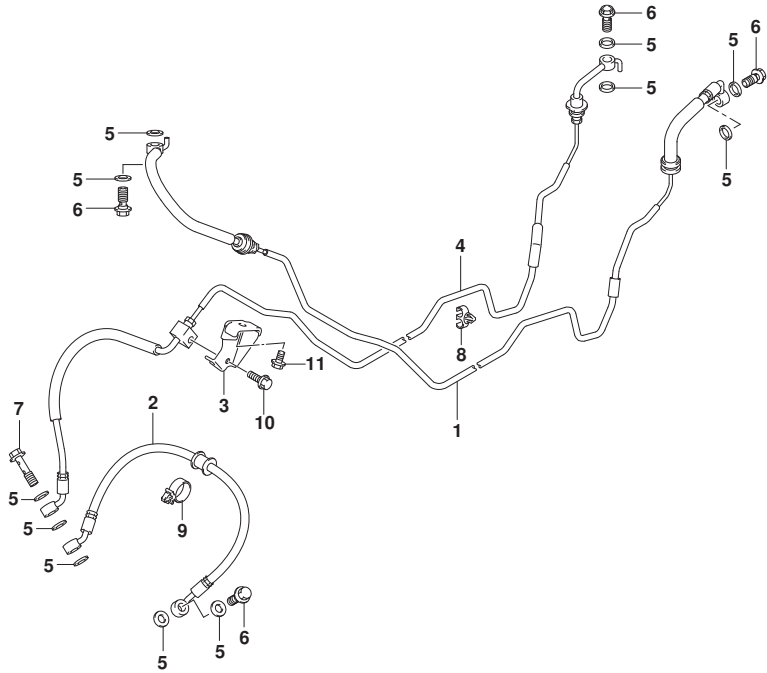


FIG.536C

FIG.536C (1-K-2) FRONT BRAKE HOSE (GSX-R1000RAL8 E21)

REF NO.	PART NO.	DESCRIPTION	Q'TY	REMARKS
1	59200-17K00	HOSE ASSY, FR MASTER TO UNIT	1	
2	59240-17K00	HOSE, CLPR R TO CLPR L	1	
3	59270-17K00	CLAMP, FRONT BRAKE HOSE	1	
4	59400-17K10	HOSE ASSY, UNIT TO FR CLPR	1	
5	09161-10009	WASHER (10X15X1.5)	11	
6	09360-10062	UNION	4	
7	09360-10064	UNION	1	
8	09403-07409	CLAMP	1	
9	09403-16412	CLAMP	1	
10	01547-0612A	BOLT	1	
11	01550-0612A	BOLT	1	

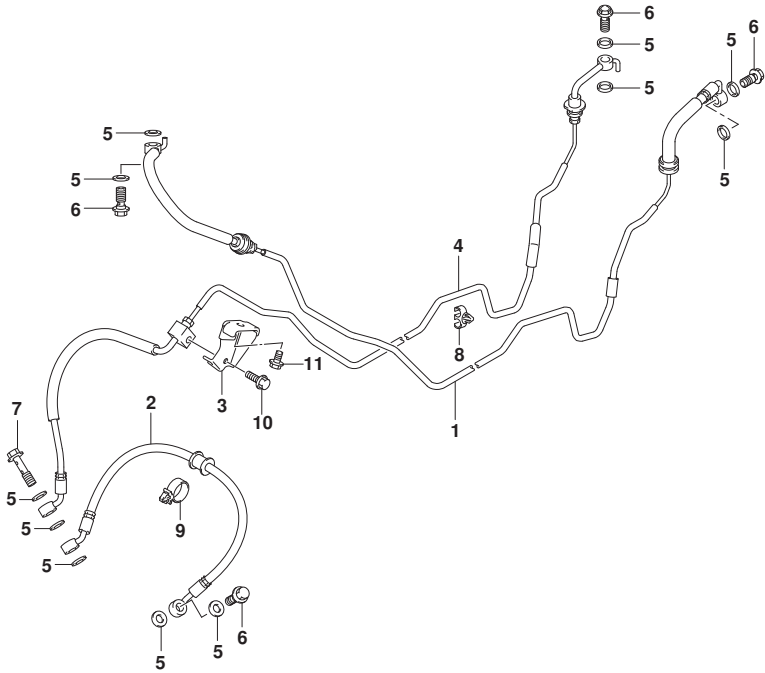


FIG.537A

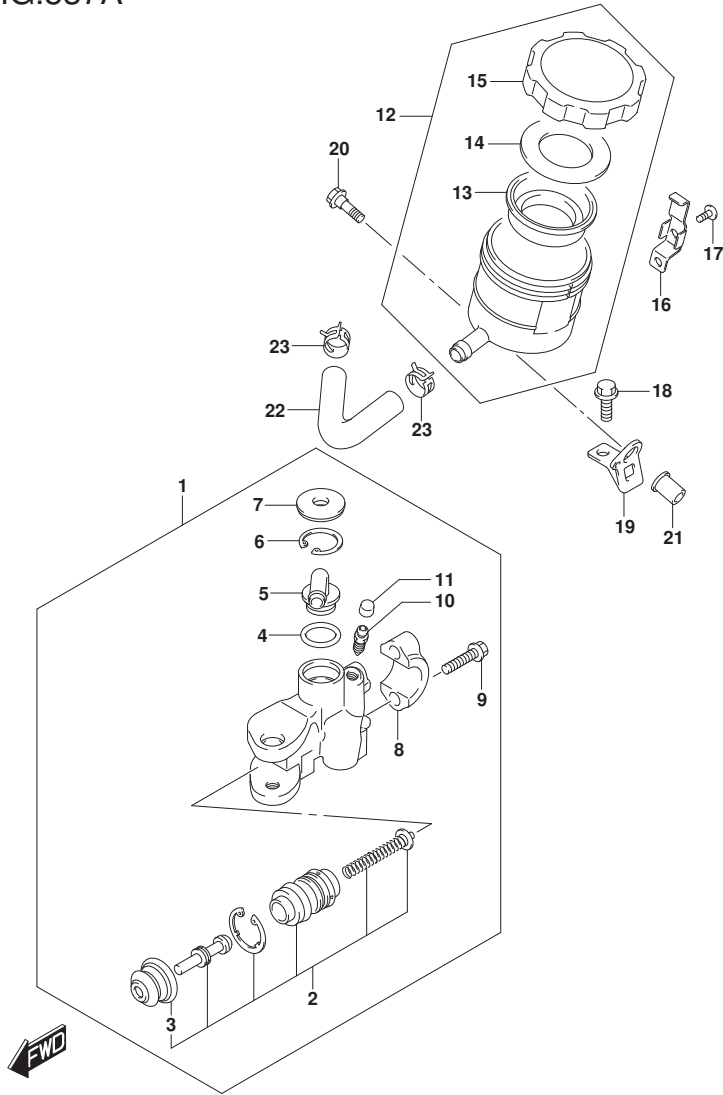


FIG.537A (1-K-3) FRONT MASTER CYLINDER

REF NO.	PART NO.	DESCRIPTION	Q'TY	REMARKS
1	59600-17K00	CYLINDER ASSY, FRONT MASTER	1	
2	59600-17810	.PISTON/CUP SET	1	
3	59666-29G00	.BOOT	1	
4	69686-34200	.O RING	1	
5	59672-17C00	.CONNECTOR	1	
6	69674-00B20	.CIRCLIP	1	
7	59673-17C00	.COVER, DUST	1	
8	59671-01H00	.HOLDER	1	
9	59675-02FA0	.BOLT	2	
10	59121-01A00	.BLEEDER	1	
11	59122-46H00	.CAP, BLEEDER	1	
12	59740-47H00	TANK ASSY, RESERVOIR	1	
13	59667-18441	.DIAPHRAGM	1	
14	59668-18441	.PLATE	1	
15	59669-07D00	.CAP	1	
16	59743-17C00	PLATE, TANK CAP	1	
17	02142-0410A	SCREW	1	
18	09111-05006	BOLT (5X17)	1	
19	59751-47H10	BRACKET, RESERVOIR TANK	1	
20	01547-0612A	BOLT	1	
21	09159-05048	NUT	1	
22	59731-47H00	HOSE, RESERVOIR TANK	1	
23	59735-17C00	CLAMP, HOSE	2	

FIG.541A

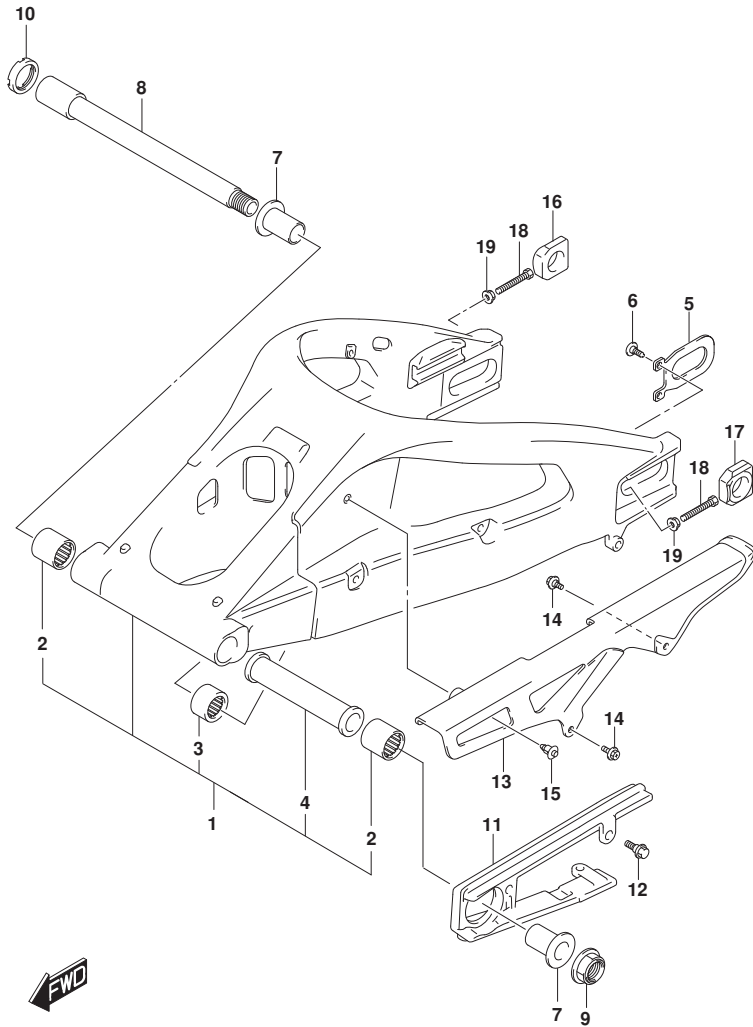


FIG.541A (1-K-4) REAR SWINGARM

REF NO.	PART NO.	DESCRIPTION	Q'TY	REMARKS
1	61000-17K00-YAP	SWINGING ARM ASSY, REAR (BLACK)	1	
2	09263-27013	.BEARING (27X35X35)	2	
3	09263-20070	.BEARING (20X27X30)	1	
4	61281-41G00	.SPACER, CENTER	1	
5	61124-41G00	PLATE, BRACKET	1	
6	09125-06060	SCREW (6X12)	1	
7	61251-41G00	SPACER, BEARING	2	
8	61211-01H00	SHAFT, PIVOT	1	
9	09159-20006	NUT	1	
10	61214-42E10	NUT, PIVOT	1	
11	61273-17K00	BUFFER, CHAIN TOUCH DEFENSE	1	
12	09111-06072	BOLT (6X17.8)	3	
13	61311-21H00	CASE, CHAIN	1	
14	09111-06107	BOLT (6X12)	2	
15	09409-08308-5ES	CLIP (BLACK)	1	
16	61446-40F00	ADJUSTER, CHAIN	1	RH
17	61445-40F00	ADJUSTER, CHAIN	1	LH
18	09100-08305	BOLT (8X60)	2	
19	08316-1008A	NUT	2	

FIG.543A

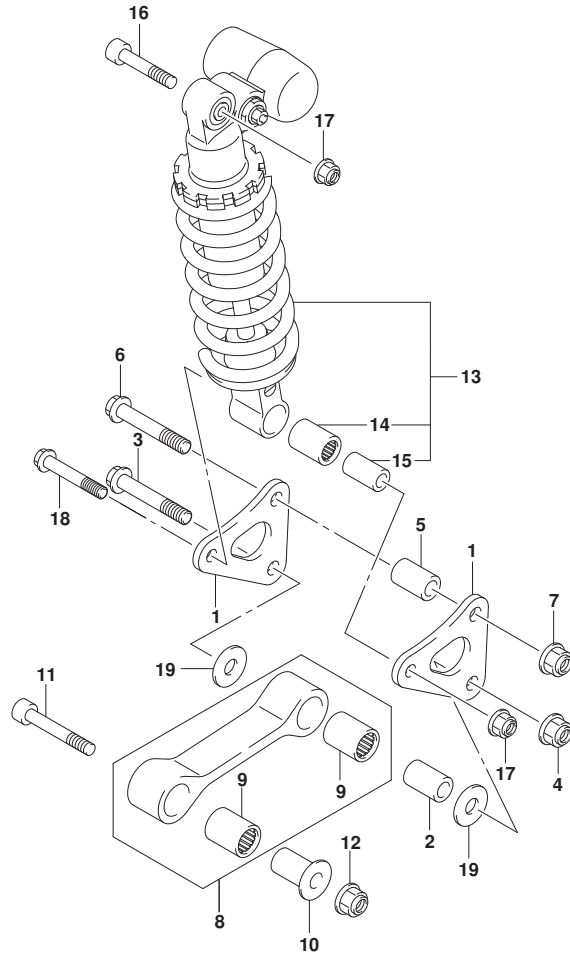


FIG.543A (1-K-5) REAR CUSHION LEVER (GSX-R1000AL8 E21)

REF NO.	PART NO.	DESCRIPTION	Q'TY	REMARKS
1	62611-17K00	LEVER, REAR CUSHION	2	
2	62317-27C10	SPACER, REAR	1	
3	62658-47H00	BOLT, LOWER	1	
4	09159-12056	NUT	1	
5	62317-44B00	SPACER, UPPER	1	
6	62658-47H00	BOLT, UPPER	1	
7	09159-12056	NUT	1	
8	62600-47810	ROD SET, REAR CUSHION LEVER	1	
9	09263-20074	.BEARING (20X27X32)	2	
10	62647-47H00	SPACER, FRONT	1	
11	62658-04K00	BOLT, ROD	1	
12	09159-12056	NUT	1	
13	62100-17810-019	ABSORBER ASSY, REAR SHOCK (BLACK)	1	
14	09263-17046	.BEARING (17X24X32)	1	
15	62317-47H00	.SPACER, SHOCK ABS LOWER	1	
16	62658-04K10	BOLT, RR SHOCK ABSORBER UPR	1	UPPER
17	09159-10115	NUT	2	
18	62313-47H00	BOLT	1	LOWER
19	09160-12037	WASHER (12X34X1)	2	

FIG.543B

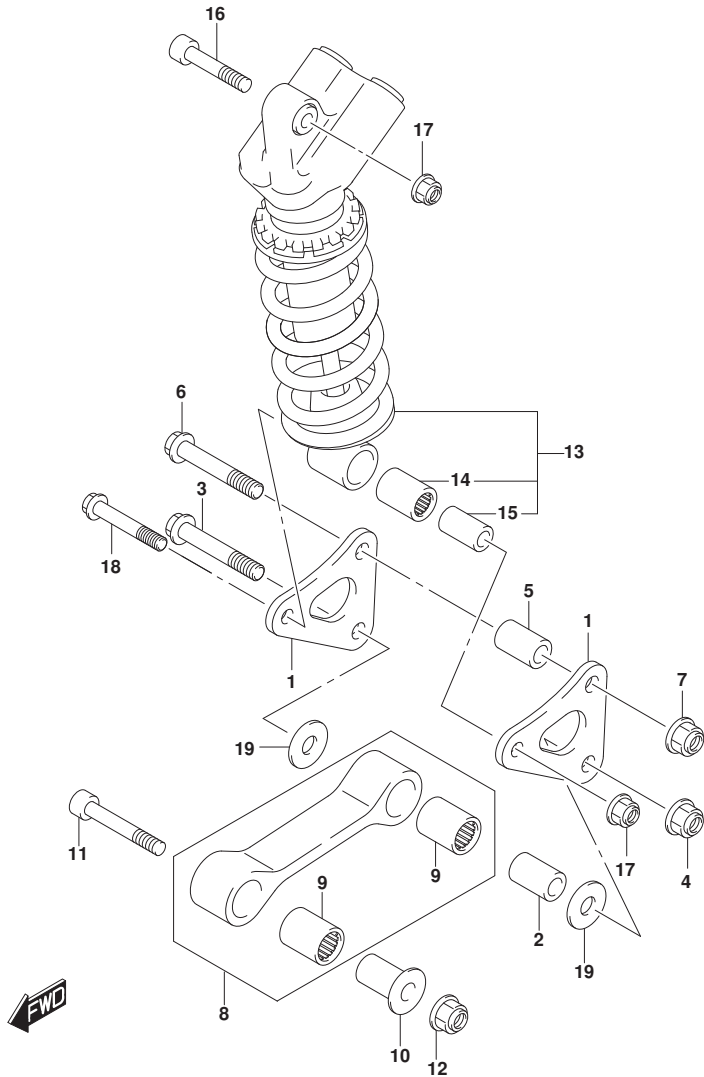


FIG.543B (1-K-6) REAR CUSHION LEVER (GSX-R1000RZAL8 E21)

REF NO.	PART NO.	DESCRIPTION	Q'TY	REMARKS
1	62611-17K00	LEVER, REAR CUSHION	2	
2	62317-27C10	SPACER, REAR	1	
3	62658-47H00	BOLT, LOWER	1	
4	09159-12056	NUT	1	
5	62317-44B00	SPACER, UPPER	1	
6	62658-47H00	BOLT, UPPER	1	
7	09159-12056	NUT	1	
8	62600-47810	ROD SET, REAR CUSHION LEVER	1	
9	09263-20074	.BEARING (20X27X32)	2	
10	62647-47H00	SPACER, FRONT	1	
11	62658-04K00	BOLT, ROD	1	
12	09159-12056	NUT	1	
13	62100-17850-019	ABSORBER ASSY, REAR SHOCK (BLACK)	1	
14	09263-17046	.BEARING (17X24X32)	1	
15	62317-47H00	.SPACER, SHOCK ABS LOWER	1	
16	62658-04K10	BOLT, RR SHOCK ABS UPPER	1	
17	09159-10115	NUT	2	
18	62313-47H00	BOLT, RR SHOCK ABS LOWER	1	
19	09160-12037	WASHER (12X34X1)	2	

FIG.543C

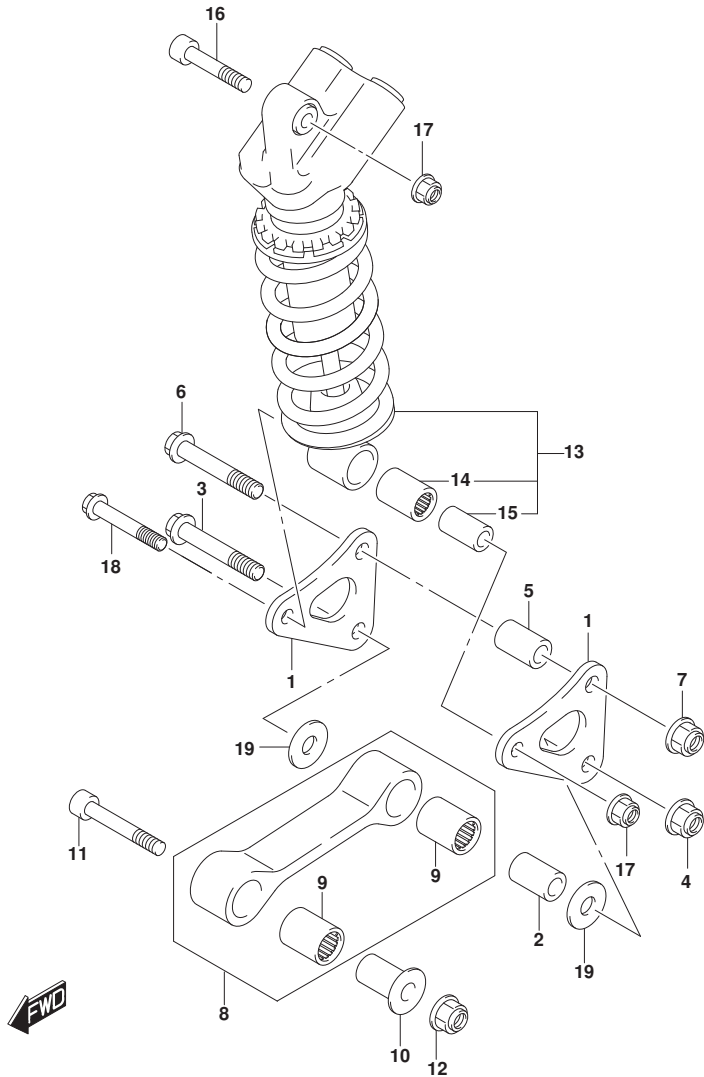


FIG.543C (1-K-7) REAR CUSHION LEVER (GSX-R1000RAL8 E21)

REF NO.	PART NO.	DESCRIPTION	Q'TY	REMARKS
1	62611-17K00	LEVER, REAR CUSHION	2	
2	62317-27C10	SPACER, REAR	1	
3	62658-47H00	BOLT, LOWER	1	
4	09159-12056	NUT	1	
5	62317-44B00	SPACER, UPPER	1	
6	62658-47H00	BOLT, UPPER	1	
7	09159-12056	NUT	1	
8	62600-47810	ROD SET, REAR CUSHION LEVER	1	
9	09263-20074	.BEARING (20X27X32)	2	
10	62647-47H00	SPACER, FRONT	1	
11	62658-04K00	BOLT, ROD	1	
12	09159-12056	NUT	1	
13	62100-17830-019	ABSORBER ASSY, REAR SHOCK (BLACK)	1	
14	09263-17046	.BEARING (17X24X32)	1	
15	62317-47H00	.SPACER, SHOCK ABS LOWER	1	
16	62658-04K10	BOLT, RR SHOCK ABS UPPER	1	
17	09159-10115	NUT	2	
18	62313-47H00	BOLT, RR SHOCK ABS LOWER	1	
19	09160-12037	WASHER (12X34X1)	2	

FIG.550A

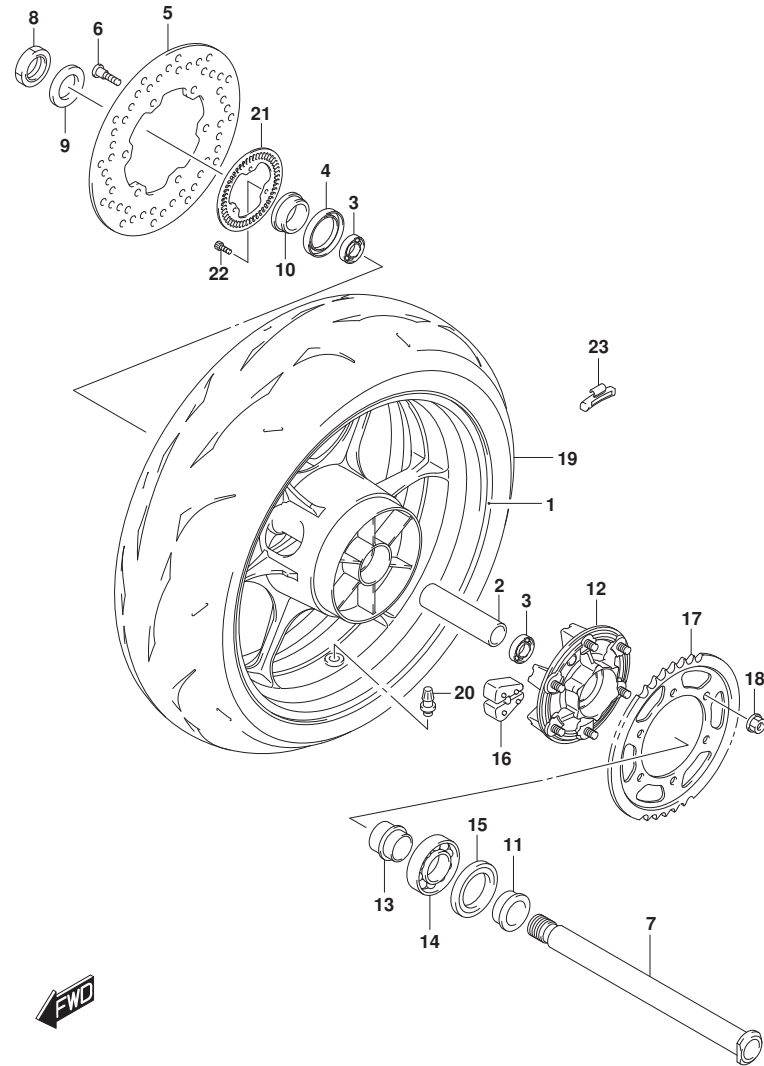


FIG.550A (1-K-8) REAR WHEEL (GSX-R1000AL8 E21) (FOR YWW)

REF NO.	PART NO.	DESCRIPTION	Q'TY	REMARKS
1	64111-17K00-YLY	WHEEL, REAR (17M/CXMT6.00) (BLUE)	1	
2	64731-35F10	SPACER, HUB BEARING	1	
3	09262-28052	BEARING (28X52X12)	2	
4	09284-37001	OIL SEAL (37X52X8)	1	RH
5	69211-47H00	DISC, REAR BRAKE	1	
6	09106-08160	BOLT (8X21)	5	
7	64711-49G00	AXLE, REAR	1	
8	64721-17K00	NUT, REAR AXLE	1	
9	09160-25070	WASHER (25.2X42X3.2)	1	
10	64741-35F10	SPACER, AXLE RH	1	
11	64751-47H10	SPACER, AXLE LH	1	
12	64610-04K00	DRUM, REAR SPROCKET	1	
13	64733-35F00	RETAINER, SPROCKET DRUM	1	
14	09262-32022	BEARING (32X65X17)	1	
15	09285-39001	OIL SEAL (39X65X7)	1	
16	64651-17K00	ABSORBER, HUB SHOCK	6	
17	64511-15J00	SPROCKET, REAR (NT:45)	1	
18	08319-3110A	NUT	6	
19	65110-17K00	TIRE, REAR (190/55ZR17M/C 75W) BRIDGESTONE	1	BATTLAX RACING STREET RS10R E
20	43130-24A00	VALVE ASSY, WHEEL RIM (TR412)	1	
21	64162-47H00	RING, SPEED SENSOR REAR (50T)	1	
22	07130-0512A	BOLT	3	
23-1	55411-22H00	BALANCER (10G)	AR	10G
23-2	55412-22H00	BALANCER (20G)	AR	20G
23-3	55413-22H00	BALANCER (30G)	AR	30G

FIG.550B

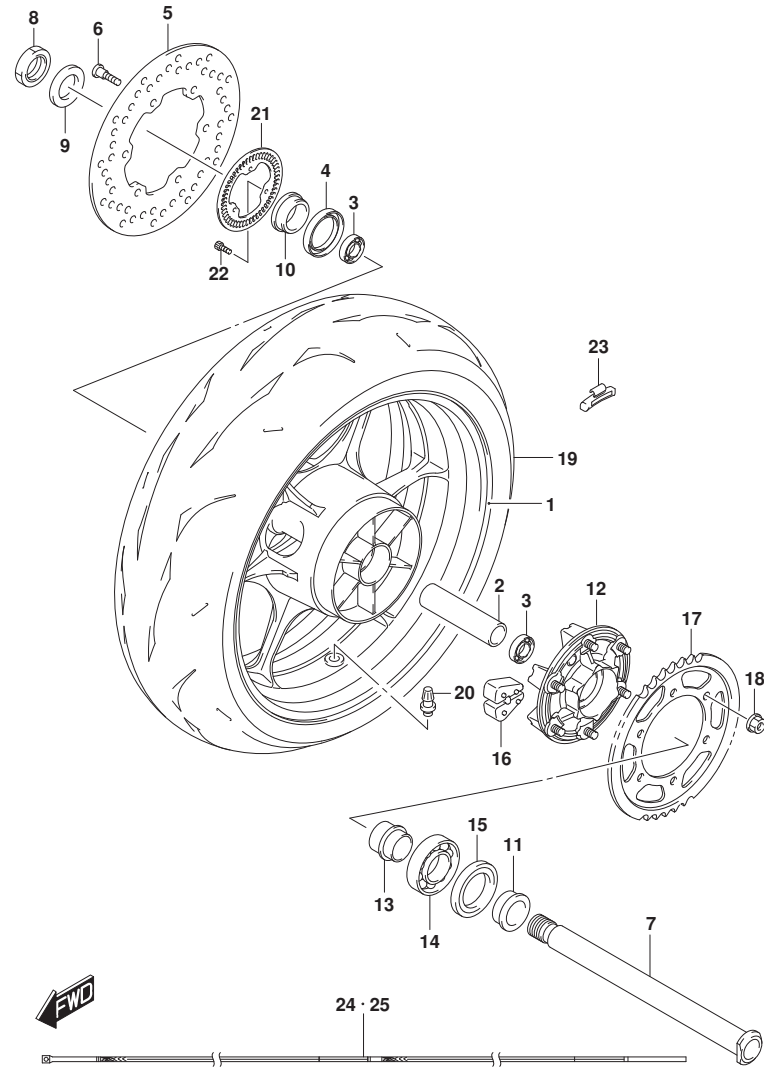


FIG.550B (1-K-9) REAR WHEEL (GSX-R1000AL8 E21) (FOR YKV,YSF)

REF NO.	PART NO.	DESCRIPTION	Q'TY	REMARKS
1	64111-17K00-019	WHEEL, REAR (17M/CXMT6.00) (BLACK)	1	
2	64731-35F10	SPACER, HUB BEARING	1	
3	09262-28052	BEARING (28X52X12)	2	
4	09284-37001	OIL SEAL (37X52X8)	1	RH
5	69211-47H00	DISC, REAR BRAKE	1	
6	09106-08160	BOLT (8X21)	5	
7	64711-49G00	AXLE, REAR	1	
8	64721-17K00	NUT, REAR AXLE	1	
9	09160-25070	WASHER (25.2X42X3.2)	1	
10	64741-35F10	SPACER, AXLE RH	1	
11	64751-47H10	SPACER, AXLE LH	1	
12	64610-04K00	DRUM, REAR SPROCKET	1	
13	64733-35F00	RETAINER, SPROCKET DRUM	1	
14	09262-32022	BEARING (32X65X17)	1	
15	09285-39001	OIL SEAL (39X65X7)	1	
16	64651-17K00	ABSORBER, HUB SHOCK	6	
17	64511-15J00	SPROCKET, REAR (NT:45)	1	
18	08319-3110A	NUT	6	
19	65110-17K00	TIRE, REAR (190/55ZR17M/C 75W)	1	BATTLAX RACING STREET RS10R E BRIDGESTONE
20	43130-24A00	VALVE ASSY, WHEEL RIM (TR412)	1	
21	64162-47H00	RING, SPEED SENSOR REAR (50T)	1	
22	07130-0512A	BOLT	3	
23-1	55411-22H00	BALANCER (10G)	AR	10G
23-2	55412-22H00	BALANCER (20G)	AR	20G
23-3	55413-22H00	BALANCER (30G)	AR	30G
24-1	68251-17K00-BQW	TAPE, RH	1	FOR YKV
24-2	68251-17K10-A3G	TAPE, RH	1	FOR YSF
25-1	68252-17K00-BQW	TAPE, LH	1	FOR YKV
25-2	68252-17K10-A3G	TAPE, LH	1	FOR YSF

FIG.550C

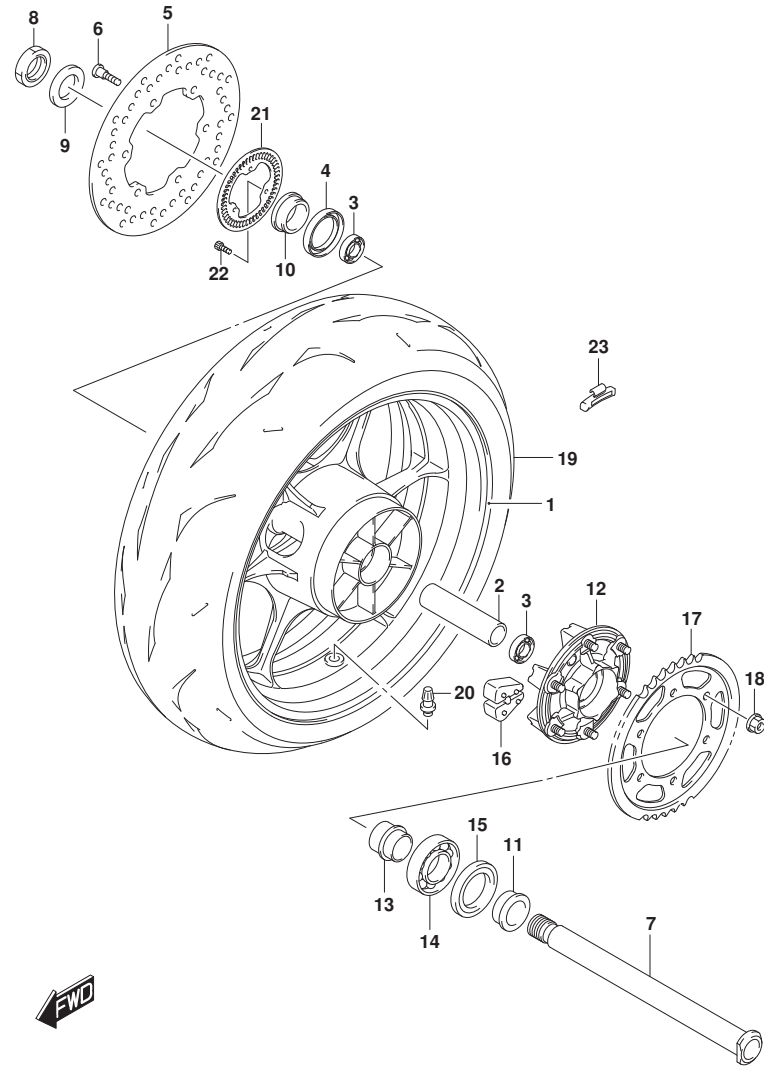


FIG.550C (1-K-10) REAR WHEEL (GSX-R1000RZAL8 E21)

REF NO.	PART NO.	DESCRIPTION	Q'TY	REMARKS
1	64111-17K00-PLY	WHEEL, REAR (17M/CXMT6.00) (BLUE)	1	
2	64731-35F10	SPACER, HUB BEARING	1	
3	09262-28052	BEARING (28X52X12)	2	
4	09284-37001	OIL SEAL (37X52X8)	1	RH
5	69211-47H00	DISC, REAR BRAKE	1	
6	09106-08160	BOLT (8X21)	5	
7	64711-49G00	AXLE, REAR	1	
8	64721-17K00	NUT, REAR AXLE	1	
9	09160-25070	WASHER (25.2X42X3.2)	1	
10	64741-35F10	SPACER, AXLE RH	1	
11	64751-47H10	SPACER, AXLE LH	1	
12	64610-04K00	DRUM, REAR SPROCKET	1	
13	64733-35F00	RETAINER, SPROCKET DRUM	1	
14	09262-32022	BEARING (32X65X17)	1	
15	09285-39001	OIL SEAL (39X65X7)	1	
16	64651-17K00	ABSORBER, HUB SHOCK	6	
17	64511-15J00	SPROCKET, REAR (NT:45)	1	
18	08319-3110A	NUT	6	
19	65110-17K00	TIRE, REAR (190/55ZR17M/C 75W) BRIDGESTONE	1	BATTLAX RACING STREET RS10R E
20	43130-24A00	VALVE ASSY, WHEEL RIM (TR412)	1	
21	64162-47H00	RING, SPEED SENSOR REAR (50T)	1	
22	07130-0512A	BOLT	3	
23-1	55411-22H00	BALANCER (10G)	AR	10G
23-2	55412-22H00	BALANCER (20G)	AR	20G
23-3	55413-22H00	BALANCER (30G)	AR	30G

FIG.550D

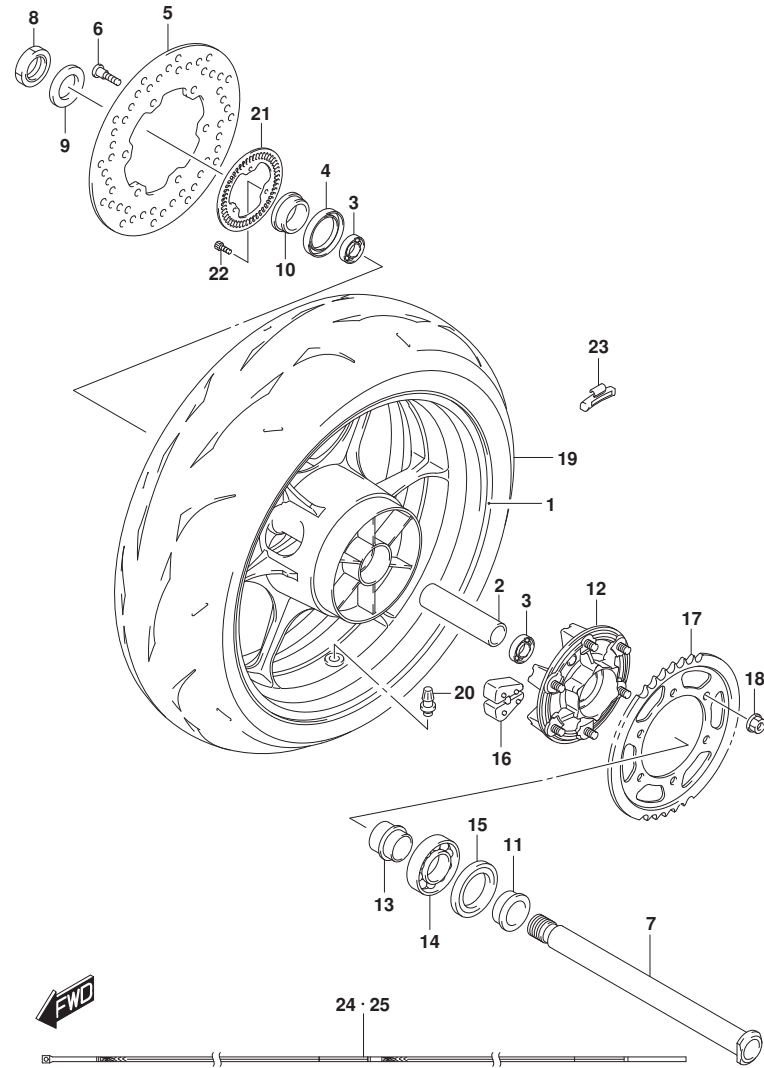


FIG.550D (1-K-11) REAR WHEEL (GSX-R1000RAL8 E21)

REF NO.	PART NO.	DESCRIPTION	Q'TY	REMARKS
1	64111-17K00-019	WHEEL, REAR (17M/CXMT6.00) (BLACK)	1	
2	64731-35F10	SPACER, HUB BEARING	1	
3	09262-28052	BEARING (28X52X12)	2	
4	09284-37001	OIL SEAL (37X52X8)	1	RH
5	69211-47H00	DISC, REAR BRAKE	1	
6	09106-08160	BOLT (8X21)	5	
7	64711-49G00	AXLE, REAR	1	
8	64721-17K00	NUT, REAR AXLE	1	
9	09160-25070	WASHER (25.2X42X3.2)	1	
10	64741-35F10	SPACER, AXLE RH	1	
11	64751-47H10	SPACER, AXLE LH	1	
12	64610-04K00	DRUM, REAR SPROCKET	1	
13	64733-35F00	RETAINER, SPROCKET DRUM	1	
14	09262-32022	BEARING (32X65X17)	1	
15	09285-39001	OIL SEAL (39X65X7)	1	
16	64651-17K00	ABSORBER, HUB SHOCK	6	
17	64511-15J00	SPROCKET, REAR (NT:45)	1	
18	08319-3110A	NUT	6	
19	65110-17K00	TIRE, REAR (190/55ZR17M/C 75W)	1	BATTLAX RACING STREET RS10R E BRIDGESTONE
20	43130-24A00	VALVE ASSY, WHEEL RIM (TR412)	1	
21	64162-47H00	RING, SPEED SENSOR REAR (50T)	1	
22	07130-0512A	BOLT	3	
23-1	55411-22H00	BALANCER (10G)	AR	10G
23-2	55412-22H00	BALANCER (20G)	AR	20G
23-3	55413-22H00	BALANCER (30G)	AR	30G
24	68251-17K10-A3G	TAPE, RH	1	
25	68252-17K10-A3G	TAPE, LH	1	

FIG.555A

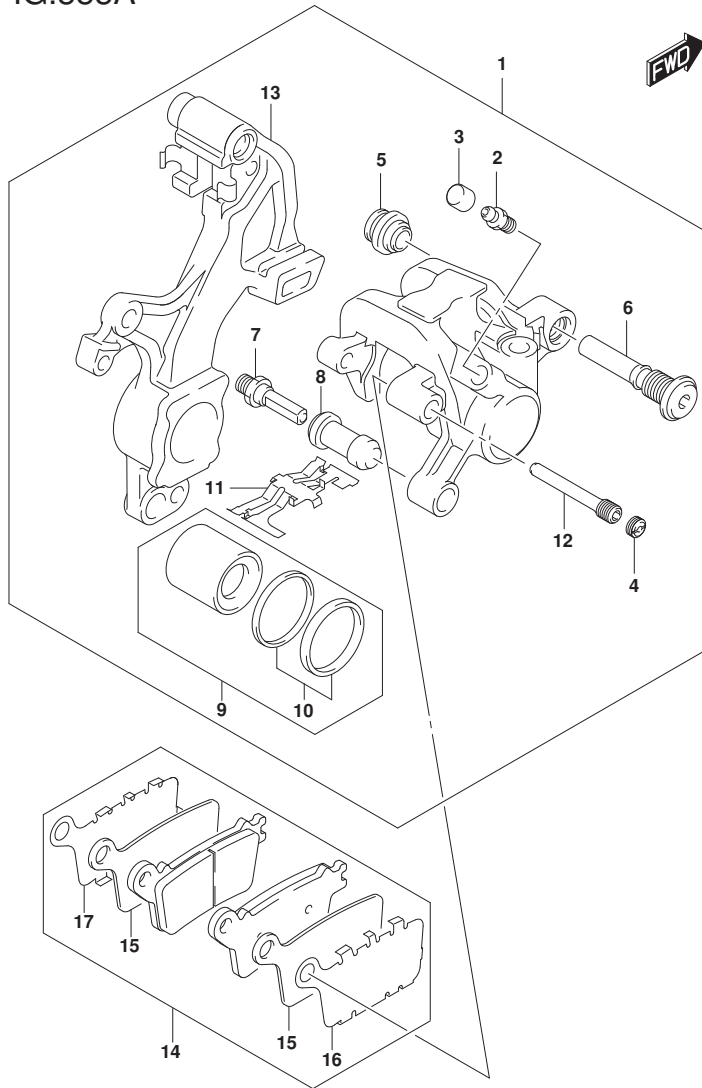


FIG.555A (1-K-12) REAR CALIPER

REF NO.	PART NO.	DESCRIPTION	Q'TY	REMARKS
1	69100-47H41-999	CALIPER ASSY, REAR	1	
2	59121-01A00	.BLEEDER	1	
3	59122-46H00	.CAP, BLEEDER	1	
4	59146-21E10	.PLUG, PIN	1	
5	59303-14500	.BOOT	1	
6	59305-36E00	.PIN, BOLT	1	
7	59382-14500	.PIN	1	
8	59386-13A00	.BOOT	1	
9	69100-47810	.PISTON SET	1	
10	69100-13810	..SEAL SET, PISTON	1	
11	69115-17K01	.SPRING, PAD	1	
12	69141-40F00	.PIN, PAD	1	
13	69150-47H20	.BRACKET, REAR	1	
14	69100-47830	PAD & SHIM SET	1	
15	69132-47H00	.INSULATOR	2	
16	69133-47H00	.RETAINER, PAD	1	
17	69134-47H00	.RETAINER, PAD	1	

FIG.558A

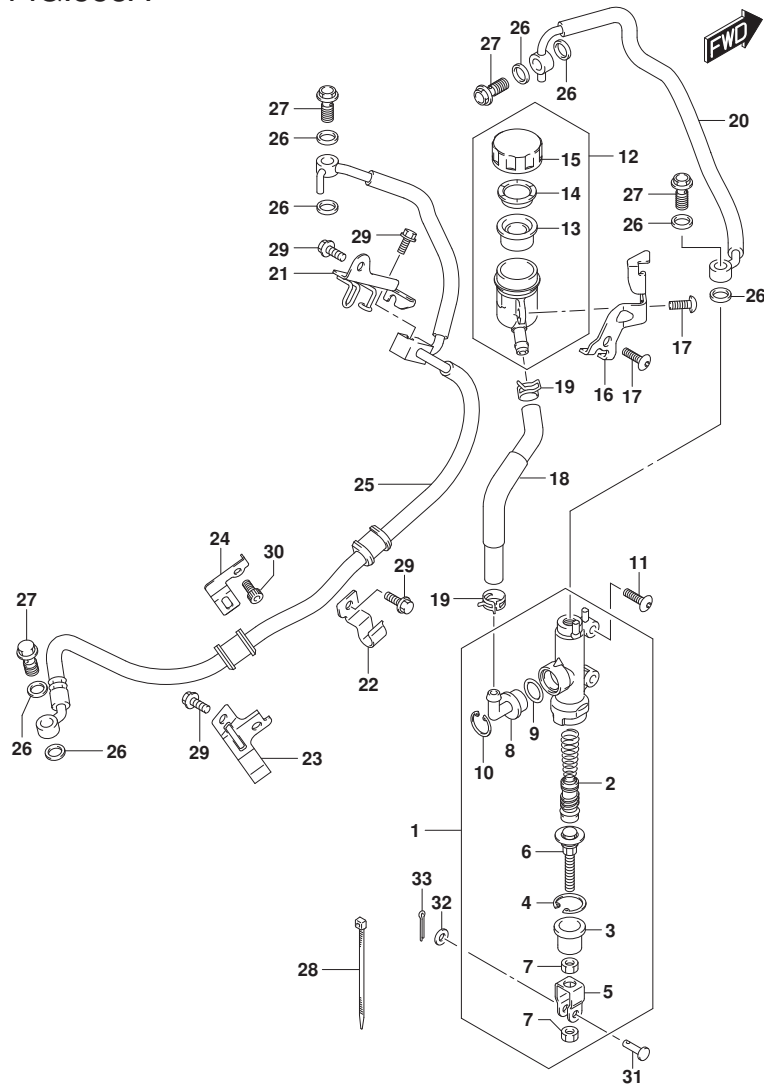


FIG.558A (1-K-13) REAR MASTER CYLINDER

REF NO.	PART NO.	DESCRIPTION	Q'TY	REMARKS
1	69600-47H30	CYLINDER ASSY, REAR MASTER	1	
2	69600-34810	.PISTON / CAP SET	1	
3	69691-00A00	.BOOT	1	
4	69665-47H00	.CIRCLIP	1	
5	69692-47H00	.YOKE	1	
6	69670-40A00	.ROD, PUSH	1	
7	69693-47H00	.NUT	2	
8	69672-00B20	.CONNECTOR	1	
9	69686-34200	.O RING	1	
10	69674-00B20	.CIRCLIP	1	
11	09139-06208	BOLT	2	
12	69740-17K00	TANK ASSY, REAR RESERVOIR	1	
13	59667-33J00	.DIAPHRAGM	1	
14	59668-33J00	.PLATE	1	
15	69669-17K00	.CAP	1	
16	69750-17K00	BRACKET, RR RESERVOIR TANK	1	
17	09139-06139	SCREW (6X16)	2	
18	69730-17K00	HOSE, RR RESERVOIR TANK	1	
19	09401-12404	CLIP	2	
20	69240-17K00	HOSE ASSY, RR MASTER TO UNIT	1	
21	69260-17K00	CLAMP, REAR BRAKE HOSE	1	
22	69268-17K00	CLAMP, REAR BRAKE HOSE	1	
23	69270-17K00	CLAMP, REAR BRAKE HOSE	1	
24	69272-17K00	CLAMP, REAR BRAKE HOSE	1	
25	69480-17K10	HOSE ASSY, RR UNIT TO CLPR	1	
26	09161-10009	WASHER (10X15X1.5)	8	
27	09360-10062	UNION	4	
28	09407-14407	CLAMP (L:145)	1	
29	01547-0612A	BOLT	4	
30	01547-0612A	BOLT	1	
31	09200-06068	PIN (6X18.2)	1	
32	08322-0106A	WASHER	1	
33	04111-2015A	COTTER PIN	1	

FIG.901A

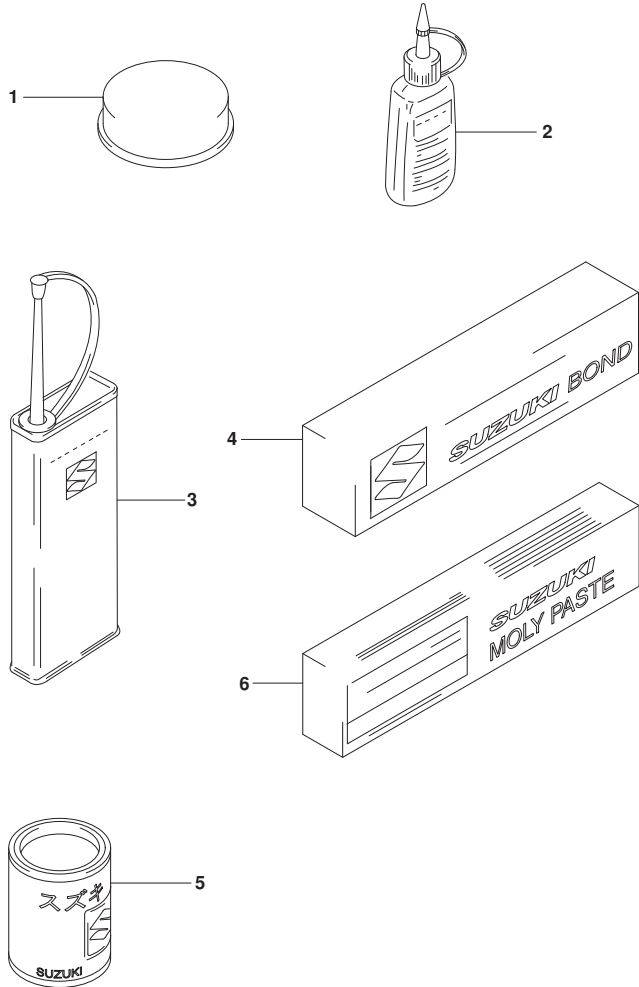


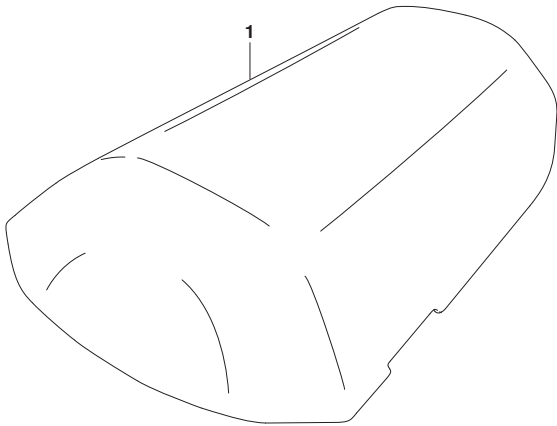
FIG.901A (1-K-14) OPTIONAL

REF NO.	PART NO.	DESCRIPTION	Q'TY		REMARKS
1	99000-25110	SUZUKI PBC GREASE	1	20G	
2-1	99000-32020	THREAD LOCK SUPER (1333B)	1	50G	
2-2	99000-32030	THREAD LOCK SUPER (1303B)	1	50G	
2-3	99000-32160	THREAD LOCK SUPER (1342)	1	50G	
2-4	99000-32100	THREAD LOCK SUPER (1305)	1	50G	
2-5	99000-32130	THREAD LOCK SUPER (1360)	1	50G	
3	99000-32040	THREAD LOCK CEMENT	1	200G	
4	99000-31140	SUZUKI BOND (1207B)	1	100G	
5	99000-25030	SUZUKI SUPER GREASE	1	150G	
6	99000-25140	SUZUKI MOLY PASTE	1	50G	

FIG.970A

FIG.970A (1-K-15) OPTIONAL (SEAT TAIL BOX)

REF NO.	PART NO.	DESCRIPTION	Q'TY	REMARKS
1-1	45550-17810-YVB	BOX, SEAT TAIL (BLACK)	1	
1-2	45550-17810-YKV	BOX, SEAT TAIL (BLACK)	1	
1-3	45550-17810-YWW	BOX, SEAT TAIL (WHITE)	1	
1-4	45550-17810-YSF	BOX, SEAT TAIL (BLUE)	1	



PART NO.	FIG.NO.-REF.NO.	PART NO.	FIG.NO.-REF.NO.	PART NO.	FIG.NO.-REF.NO.	
10000		12151-17K00	120A-13	12746-17K00	126A-3	
		12152-17K00	120A-14	12751-17K00	126A-6	
		12160-17K00	120A-1	12760-40F01	127A-1	
		12163-17K00	120A-2	12771-17K00	127A-2	
		12164-17K00-0A0	120A-4-1	12782-35F11	127A-3	
	11100-17K00	103A-1	12164-17K00-0B0	120A-4-2	12800-05830	126A-20
	11115-29G70	103A-4	12164-17K00-0C0	120A-4-3	12811-17K00	127A-4
	11117-29G00	103A-10	12164-17K00-0D0	120A-4-4	12812-31G00	127A-5
	11117-29G20	103A-11	12164-17K10-0A0	120A-5-1	12830-15H10	127A-6
	11141-17K00	101A-2	12164-17K10-0B0	120A-5-2	12837-02H00	101A-10
	103A-5	12164-17K10-0C0	120A-5-3		127A-7	
11171-17K00	102A-1	12164-17K10-0D0	120A-5-4	12841-17K00	126A-8	
11173-17K00	101A-3	12228-48B00-0B0	108A-17-1	12861-17K00	126A-9	
	102A-2		120A-8-1	12872-17K00	126A-11	
11178-33E00	101A-4	12228-48B00-0C0	108A-17-2	12892-05C00-170	126A-19-1	
	102A-3		120A-8-2	12892-05C00-175	126A-19-2	
11182-35F10	101A-5	12228-48B00-0D0	108A-17-3	12892-05C00-180	126A-19-3	
	102A-4		120A-8-3	12892-05C00-185	126A-19-4	
11191-27E00	101A-6	12228-48B00-0E0	108A-16	12892-05C00-190	126A-19-5	
	102A-5		108A-17-4	12892-05C00-195	126A-19-6	
11269-18G01	163A-19		120A-7	12892-05C00-200	126A-19-7	
11276-17K00	163A-20		120A-8-4	12892-05C00-205	126A-19-8	
11277-17K00	163A-21	12228-48B00-0F0	108A-17-5	12892-05C00-210	126A-19-9	
11278-17K00	163A-22		120A-8-5	12892-05C00-215	126A-19-10	
11301-17810	108A-1	12228-48B00-0G0	108A-17-6	12892-05C00-220	126A-19-11	
11318-35F00	108A-2		120A-8-6	12892-05C00-225	126A-19-12	
11319-33E50	108A-3	12228-48B00-0H0	108A-17-7	12892-05C00-230	126A-19-13	
	108A-4		120A-8-7	12892-05C00-235	126A-19-14	
11341-17K00	112A-1	12229-17K00-0A0	120A-9-1	12892-05C00-240	126A-19-15	
11342-41G10	112A-11	12229-17K00-0B0	120A-9-2	12892-05C00-245	126A-19-16	
11351-17K01	112A-13	12229-17K00-0C0	120A-9-3	12892-05C00-250	126A-19-17	
11360-17K00	112A-18	12229-17K00-0D0	120A-9-4	12892-05C00-255	126A-19-18	
11371-17K00	112A-20	12229-17K00-0E0	120A-9-5	12892-05C00-260	126A-19-19	
11380-17K00	108A-36	12229-17K10-0A0	120A-10-1	12892-05C00-265	126A-19-20	
11390-17K00	108A-19	12229-17K10-0B0	120A-10-2	12892-05C00-270	126A-19-21	
11402-17810	101A-1	12229-17K10-0C0	120A-10-3	12911-17K00	126A-12	
11482-17K00	101A-7	12229-17K10-0D0	120A-10-4	12912-17K00	126A-13	
	112A-2	12229-17K10-0E0	120A-10-5	12919-17K00	126A-14	
11483-17K00	101A-8	12611-17K00	122A-1	12920-17K10	126A-15	
	112A-14	12612-47H00	122A-2	12931-17K01	126A-16	
11489-17K00	101A-9	12614-17K00	122A-3	12932-32C00	126A-17	
	116A-2	12615-17K00	122A-4	12933-47H00	126A-18	
11511-17K00	116A-1	12616-17K00	122A-5	13101-17K00	103A-18	
11512-17K00	116A-4	12617-47H00	122A-6	13170-17K00	103A-20	
11959-15H00	496C-6	12618-31G00	122A-7	13268-48700	140A-2	
11971-25D00	112A-7	12622-17K00	122A-8	13269-33E00	140A-3	
11971-33210	108A-31	12710-17K00	126A-1	13295-29900	140A-4	
12000-17860	120A-6	12720-17K00	126A-5	13374-32G00	140A-5	
12111-17K00-0F0	120A-11	12731-47H00	120A-15		140A-37	
12140-17K00	120A-12	12740-17K00	126A-2	13405-17K10	140A-1	

PART NO.	FIG.NO.-REF.NO.	PART NO.	FIG.NO.-REF.NO.	PART NO.	FIG.NO.-REF.NO.
13471-17K00	140A-7	14280-17K00	163A-3	17435-33400	180A-5
	140A-38	14310-17KA0	163A-10	17461-01H00	180A-6
13471-18H00	140A-8	14459-17K00	163A-11	17470-02F10	180A-7
13472-17K00	140A-9	14771-24F01	163A-12	17491-17K00	180A-8
	140A-39	14780-17K00	163A-30	17511-47H00	180A-9
13473-17K00	140A-10	14795-10FA0	163A-31	17661-37H00	187A-1
	140A-40	15100-17K50	172A-1	17670-06G60	187A-2
13474-17K00	140A-41	15113-05H00	172A-4	17710-17K00	185A-1
13500-17K00	140A-27	15113-17K00	172A-7	17711-08J00	185A-2
13571-17K00	140A-28	15113-35F00	172A-10	17712-40F00	185A-3
13572-17K00	140A-29	15114-17K00	172A-5	17730-08J00	185A-6
13601-29G00	140A-11	15115-17K00	172A-8	17741-17K00	185A-7
	140A-42	15116-17K00	172A-6	17742-17K00	185A-8
13602-29G00	140A-12	15120-17K00	172A-11	17750-17K00	185A-9
	140A-43	15122-17K00	172A-12	17771-17K00	185A-10
13606-47A00	140A-13	15201-17K01	172A-13	17790-17K00	185A-11
13650-14G10	155A-25	15310-17K00	172A-2	17810-17K00	185A-4
13650-49X00	103A-22	15420-17K00	172A-9	17820-17K00	185A-5
13655-14G10	155A-26	15610-17K50	172A-3	17851-17K00	187A-4
13671-29G00	140A-14	15625-29G40	155A-23	17852-17K00	187A-5
13681-39F00-060	140A-15	15630-29G40	155A-22	17853-17K00	187A-6
13683-04K10	140A-17	15632-17K00	155A-24	17854-17K00	187A-7
13683-10F60	140A-16	15710-04K00	140A-23	17859-17K00	187A-8
	140A-20	15710-17K10	140A-44	17861-17K00	187A-9
13683-17K00	140A-18	15717-58B00	140A-24	17910-17K00	187A-16
13683-17K10	140A-19		140A-45	17931-31J00	187A-17
13685-02FA0	140A-6	15722-14J00	140A-25	17981-17K00	187A-18
13685-29G00	140A-21	15722-17K00	140A-46	17982-47H10	187A-19
13685-38420	140A-22	15810-17K00	172A-14	17995-14JP0	185A-18
13720-17K00	155A-5	15900-17K00	140A-36	18117-52G10	427A-5
13736-17K00	155A-18	15910-17K00	140A-47	18213-17K00	163A-34
	155A-20	15911-17K00	155A-3	18450-35F60	189A-1
13740-17K00	155A-1	16310-47H00	116A-6	18461-47H00	189A-2
13746-35F00	155A-2	16321-01H00	116A-7	18471-47H00	189A-3
13756-17K00	155A-6	16331-17K00	116A-8	18510-29G70	189A-4
13757-17K00	155A-7	16332-17K00	116A-9	18531-35F30	189A-5
13780-17K00	155A-4	16400-17K00	116A-10	18560-04K00	427A-1
13788-17K00	155A-8	16440-17K00	116A-11	18561-17K00	427A-8
13820-17K00	155A-17	16460-17K00	178A-9	18562-17K00	427A-9
13820-17K10	155A-19	16469-17K00	178A-10	18563-17K00	427A-10
13831-47H00	155A-15	16470-17K00	178A-11	18571-17K00	427A-2
13853-17K00	155A-9	16510-07J00	108A-41	18572-17K00	427A-4
13878-09F00	155A-10	16520-17K00	116A-17	18573-17K00	427A-6
13880-17K00	155A-13	16591-06B01	108A-40	18711-17K00	189A-6
13880-17K10	155A-14	16600-47H20	178A-1	18803-45G00	496A-3
14100-17K01	163A-1	16650-47H20	178A-8		496B-3
14181-04K00	101A-11	17400-17K00	180A-1		496C-3
	163A-2	17410-17K00	180A-2		
14250-21H00	163A-23	17418-33400	180A-3		
14252-14J00	163A-24	17432-07G00	180A-4		

PART NO.	FIG.NO.-REF.NO.	PART NO.	FIG.NO.-REF.NO.	PART NO.	FIG.NO.-REF.NO.	
20000		24741-20A00	206A-41		212B-37	
		24751-17K00	206A-42		212C-37	
		25211-01H11	212A-1	25619-17K00	212A-39	
			212B-1		212B-39	
			212C-1		212C-39	
	21200-17880	201A-2	25231-01H02	212A-2	25652-20C00	212A-30
	21222-17K00	201A-1		212B-2		212B-30
	21253-01H10	201A-3		212C-2		212C-30
	21411-17K00	201A-6	25310-17K00	212A-5	25671-01011	212A-19
	21413-17K00	201A-7		212B-5		212B-19
21414-17K00	201A-9		212C-5		212C-19	
21415-17K00	201A-8	25312-17K00	212A-6	25681-17K00	212A-38	
21441-42F20	201A-10		212B-6		212B-38	
21442-42F10	201A-11		212C-6		212C-38	
21451-47H10	201A-12	25350-06G00	212A-11	27510-17K00	206A-47	
21451-47H30	201A-13		212B-11	27531-17K00	206A-48	
21451-47H50	201A-14		212C-11	27600-17K00-120	206A-49	
21462-17K00	201A-15	25355-17K00	212A-12	27620-17K00	206A-50	
21471-02F20	201A-16		212B-12			
21472-02F20	201A-17		212C-12			
21482-17K00	201A-18	25381-17K00	212A-7			
23110-27A00	201A-23		212B-7			
23111-26D00	201A-24		212C-7			
23121-41G30	201A-25	25411-38B01	212A-3			
23122-41G00	201A-26		212B-3			
23123-41G00	201A-27		212C-3	31100-17K00	301A-1	
23125-41G00	201A-28	25501-17810	212B-44	31150-40F01	301A-2	
23271-41G50	201A-29		212C-44	31153-49210	301A-3	
24120-17K00	206A-1	25510-17K00	212A-15	31156-17E00	112A-12	
24131-17K00	206A-17		212B-15	31156-40F01	301A-9	
24221-40F30	206A-2		212C-15	31175-40F01	301A-4	
24231-47H10	206A-3	25512-06G20	212A-16	31264-32C10	301A-5	
24251-47H20	206A-4		212B-16	31281-40F00	301A-6	
24252-24F20	206A-5		212C-16	31361-10200	301A-8	
24261-47H20	206A-6	25518-01H00	212A-17	31361-17K00	301A-7	
24262-24F20	206A-7		212B-17	31361-38300	301A-10	
24311-47H00	206A-18		212C-17	31800-21E20	312A-1	
24315-17K00	206A-19	25519-01H00	212A-18		312B-1	
24321-17K00	206A-20		212B-18		312C-1	
24322-17K00	206A-21		212C-18	31861-47E00	312A-2	
24323-17K00	206A-22	25520-17K00	212A-27		312B-2	
24331-47H20	206A-23		212B-27		312C-2	
24332-24F20	206A-24		212C-27	32101-17K00	304A-1	
	206A-25	25525-17K00	212A-28	32102-17K00	304A-2	
24333-47H00	206A-26	25525-17K10	212B-28	32371-17K00	304A-3	
24341-47H10	206A-27		212C-28	32800-26J01	312A-6	
24351-47H00	206A-28	25600-17K00	212A-29		312B-6	
24361-17K00	206A-29		212B-29		312C-6	
24741-06G00	206A-39		212C-29	32830-17K00	312A-17	
24741-17K00	206A-40	25617-17K00	212A-37		312B-17	

PART NO.	FIG.NO.-REF.NO.	PART NO.	FIG.NO.-REF.NO.	PART NO.	FIG.NO.-REF.NO.
32920-17K01	312C-17		448C-9	36610-17K11	350A-1
32920-17K91	312A-8	33652-47F00	448A-15	36610-17K21	350B-1
	312B-8		448B-15		350C-1
	312C-8		448C-15	36617-17K00	355A-6
33220-01H00	312A-24		310A-6	36620-17K40	350B-10
	312B-24	33810-17K00	310A-7		350C-10
	312C-24	33960-06G10	312A-10	36620-17K50	350A-10
33410-17K00	312A-7		312B-10	36630-17K10	350A-11
	312B-7		312C-10		350B-11
	312C-7	33970-47H01	312A-11		350C-11
33620-17K00	310A-1		312B-11	36654-06J30	350A-12
33624-04K00	310A-8		312C-11		350B-12
33652-05G20	474A-14	34100-17K00	330A-1		350C-12
33652-13G00	483A-14	34100-17KA0	330B-1	36670-17K00	312A-15
	483B-15		330C-1		312B-15
	483C-14	34111-17K00	330A-2		312C-15
	483D-15		330B-2	36851-17K00	350A-18
33652-17K00	310A-2		330C-2		350B-18
33652-17K10	334A-6	34150-17K00	330A-3		350C-18
	445A-2		330B-3	36920-08D00	312A-4
	445B-2		330C-3		312B-4
	445C-2	34183-10C00	330A-4		312C-4
	445D-2		330B-4	36930-60A10	480A-3
33652-17K20	310A-3		330C-4		480A-6
33652-17K30	310A-4	34189-08J00	330A-5		480B-3
33652-17K40	310A-5		330B-5		480B-6
33652-20C00	422A-12		330C-5		480C-3
	422B-11	34810-17K10	172A-16		480C-6
	422C-12	34815-17K10	172A-17		480D-3
	422D-12	35100-17K00	333A-1		480D-6
	422E-12	35100-17KA0	333B-1		483A-2
	481A-16		333C-1		483A-16
	481A-20	35125-17K00	333A-2		483B-2
	481B-15		333B-2		483B-17
	481B-19		333C-2		483C-2
	481C-17	35601-17KA0	334A-1		483C-16
	481C-21	35602-17KA0	334A-2		483D-2
	481D-16	35603-17KA0	334A-7		483D-17
	481D-20	35604-17KA0	334A-8		485A-22
	481E-17	35710-17K00	339A-1		485B-18
	481E-21	35781-17K00	339A-2		485C-24
33652-35400	483A-15	35910-17K00	339A-6		485D-22
	483B-16	35913-17K00	339A-7		485E-24
	483C-15	35950-14A11	460A-5	36930-82010	480A-20
	483D-16		460B-5		480B-23
33652-38A10	312A-9		460C-5		480C-18
	312B-9	35952-17K01	460A-7		480D-21
	312C-9		460B-7	37100-17K01	352A-2
33652-38F20	448A-9		460C-7	37102-17811	352A-1
	448B-9	35970-07F01	339A-11	37146-41G00	352A-4

PART NO.	FIG.NO.-REF.NO.	PART NO.	FIG.NO.-REF.NO.	PART NO.	FIG.NO.-REF.NO.
37152-17K00	352A-3		550C-20	44277-17K00	422A-13
37200-17K01	355A-1		550D-20		422B-12
37400-17K00	355A-4	43232-17K00	350A-22		422C-13
37730-17K00	212A-40		350B-22		422D-13
	212B-40		350C-22		422E-13
	212C-40	43511-17K00	415A-1	44279-18K00	481A-17
37740-17K00	350A-21	43516-37H10	415A-3		481A-21
	350B-21	43521-17K00	415A-2		481B-16
	350C-21	43526-37H10	415A-4		481B-20
37820-33D10	116A-20	43531-41G20	415A-5		481C-18
37822-33D00	116A-21	43571-17K00	415A-6		481C-22
37840-35F00	350A-24	43576-17K00	415A-7		481D-17
	350B-24	43576-48B40	415A-8		481D-21
	350C-24	43577-35F10	415A-9		481E-18
38500-17K00	350A-26	43581-47H00	415A-10		481E-22
	350B-26	43600-17K00	415A-15	44283-17K00	420A-27
	350C-26	43611-37H30	415A-16		420B-26
38860-76F01	350A-6	43621-37H30	415A-24		420C-27
	350A-7	43700-17K00	415A-23		420D-26
	350A-8	43811-17K00	415A-17	44284-17K00	420A-32
	350A-9	43816-01H20	415A-22		420B-31
	350B-6		415A-30		420C-32
	350B-7	43821-17K00	415A-25		420D-31
	350B-8	44100-17K10-YKV	420B-1-1	44285-17K00	420A-30
	350B-9	44100-17K10-YSF	420B-1-2		420B-29
	350C-6		420D-1		420C-30
	350C-7	44100-17KB0-YVB	420C-1-1		420D-29
	350C-8	44100-17KB0-YWW	420A-1	44286-17K00	420A-31
	350C-9		420C-1-2		420B-30
		44121-17K00	420A-3		420C-31
			420B-2		420D-30
			420C-3	44290-17K00-YKV	422B-5
			420D-2	44290-17KA0-YVB	422D-5-1
		44173-14J00	445A-8	44290-17KA0-YWW	422A-5
			445B-8		422D-5-2
			445C-10	44290-17KB0-YSF	422C-5
41100-17K00	401A-1		445D-10		422E-5
41200-17K00	401A-2	44192-44H00	481A-2	44294-43H00	333A-3
41233-18G20	401A-3		481B-2		333B-3
41921-47H00	401A-5		481C-2		333C-3
41922-47H00	401A-6		481D-2	44423-17K01	420A-28
42310-17K00	407A-1		481E-2		420B-27
42330-17K10	407A-2		420A-4		420C-28
42411-47H00	407A-3	44200-17820	420B-3		420D-27
43110-47H10	407A-9		420C-4	44512-17K00	422A-11
43130-24A00	530A-12		420D-3		422B-10
	530B-12		420A-5		422C-11
	530C-12	44244-11J00	420B-4		422D-11
	530D-12		420C-5		422E-11
	550A-20		420D-4	44521-17K00	422A-1
	550B-20				

PART NO.	FIG.NO.-REF.NO.	PART NO.	FIG.NO.-REF.NO.	PART NO.	FIG.NO.-REF.NO.
	422B-1		333B-4	45550-17810-YWW	970A-1-3
	422C-1		333C-4	47110-17K00-4UX	445A-1-1
	422D-1		481A-3	47110-17K10-YWW	445A-1-2
	422E-1		481B-3	47110-17K30-YVB	445C-1-1
44523-47H00	420A-7		481C-3	47110-17K30-YWW	445C-1-2
	420B-6		481D-3	47110-17K40-YSF	445B-1
	420C-7		481E-3	47110-17K50-YSF	445D-1
	420D-6	44572-13G00	420A-22	47121-17K00	448A-10
	422A-15		420B-21		448B-10
	422B-14		420C-22		448C-10
	422C-15		420D-21	47121-31J00	483A-17
	422D-15		448A-14		483B-18
	422E-15		448B-14		483C-17
44530-17K00	420A-8		448C-14		483D-18
	420B-7	44572-37H00	333A-5	47122-17K00	448A-4
	420C-8		333B-5		448A-7
	420D-7		333C-5		448B-4
44541-17K00	420A-9		481A-4		448B-7
	420B-8		481B-4		448C-4
	420C-9		481C-4		448C-7
	420D-8		481D-4	47123-17K00	448A-5
44542-17K00	420A-10		481E-4		448A-8
	420B-9	44572-44G00	420A-23		448B-5
	420C-10		420B-22		448B-8
	420D-9		420C-23		448C-5
44543-17K00	420A-21		420D-22		448C-8
	420B-20		422A-17	47210-17K00-4UX	445A-4-1
	420C-21		422B-16	47210-17K10-YWW	445A-4-2
	420D-20		422C-17	47210-17K30-YVB	445C-5-1
44544-17K00	420A-11		422D-17	47210-17K30-YWW	445C-5-2
	420B-10		422E-17	47210-17K40-YSF	445B-4
	420C-11	44574-17K00	420A-29	47210-17K50-YSF	445D-5
	420D-10		420B-28	47311-17K00	445A-6
44551-17K00	420A-12		420C-29		445B-6
	420B-11		420D-28		445C-8
	420C-12	45100-17K01-W05	505A-1		445D-8
	420D-11	45148-20G90	505A-10	47312-37H00	445A-9
44552-17K00	420A-13	45148-27J00	474A-15		445B-9
	420B-12	45149-37H00	505A-2		445C-11
	420C-13	45220-04K20	505A-4		445D-11
	420D-12	45241-17K00	505A-5	47411-17K00-YKV	445A-7-1
44552-24B10	420A-6	45280-17K00	505A-6	47411-17K00-YSF	445B-7
	420B-5	45288-14F00	505A-7		445D-9
	420C-6	45289-11F00	505A-8	47411-17K00-YVB	445C-9-1
	420D-5	45290-17K00	505A-11	47411-17K00-YWW	445A-7-2
44561-18G00	420A-14	45300-17K00-W05	505A-9		445C-9-2
	420B-13	45380-17K00-W05	505A-12	47431-17K00	474A-16
	420C-14	45550-17810-YKV	970A-1-2	47441-17K00	474A-17
	420D-13	45550-17810-YSF	970A-1-4	47511-17K00	448A-1
44572-02F01	333A-4	45550-17810-YVB	970A-1-1		448B-1

PART NO.	FIG.NO.-REF.NO.	PART NO.	FIG.NO.-REF.NO.	PART NO.	FIG.NO.-REF.NO.
47611-17K00	448C-1	51152-47H10	521B-19	51189-17K20	521C-29
	448A-2		521C-4		521B-14
	448B-2		521C-19		521B-29
	448C-2		521A-5		521B-8
47710-17K00-YKV	448A-3-1	51153-27G00	521A-25	51198-17K10	521B-8
47710-17K00-YSF	448A-3-3		521B-5		521B-23
47710-17K00-YVB	448C-3	51153-47H00	521B-20	51311-17K00	521C-23
	448B-3-1		521C-5		524B-5
47710-17K00-YVWV	448A-3-2	51168-29G00	521C-20	51321-27E30	524C-5
47810-17K00-YKV	448B-3-2		521A-6		524A-5
	47810-17K00-YSF	448A-6-1	521A-26	51321-36F00	524A-6
47810-17K00-YVB	448A-6-3	51171-17K10	521A-7	51328-27E30	524B-6
	448C-6		521A-27		524C-6
47810-17K00-YVWV	448B-6-1	51171-47H20	521B-6	51353-01H00	521A-41
	448B-6-2		521B-21		521B-31
50000	51173-27G00	51171-47H20	521C-6	51354-01H00	521C-31
			521C-21		524A-4
			521B-7		524B-4
			521B-22		524C-4
			521C-7		524A-8
			521C-22		524C-8
			521A-8		524B-8
			521A-28		524A-7
			521A-10		524B-7
			521A-30		524C-7
51103-17K00	521A-1	51410-17K00	521B-9	51556-38B00	524A-1
51103-17K10	521C-1		521B-24		524B-1
51103-17K20	521B-1	51174-17K00	521C-9	51641-33E00	524C-1
51104-17K00	521A-21		521C-24		521A-12
51104-17K10	521C-16	51175-17K10	521A-14	51643-41G00	521A-32
51104-17K20	521B-16		521A-34		521B-11
51110-17K00	521A-2	51187-47H00	521B-10	51644-12C00	521B-26
51110-17K10	521C-2		521B-25		521C-11
51110-17K20	521B-2	51175-47H00	521C-10	51631-33E00	521C-26
51118-47H00	521A-15		521C-25		524A-13
51118-47H20	521A-35	51176-47H20	521A-11	51641-33E00	524B-13
	521A-20		521A-31		524C-13
51120-17K00	521A-40	51187-47H00	521A-9	51643-41G00	524A-12
	521A-22		521A-29		524B-12
51120-17K10	521C-17	51189-17K00	521A-18	51750-21H30	524C-12
51120-17K20	521B-17		521A-38		524A-10
51131-17K00	521A-3	51189-17K10	521B-13	51750-21H30	524B-10
	521A-23		521B-28		524C-10
51131-17K10	521C-3	51187-47H10	521C-13	51750-21H30	524A-3
	521C-18		521C-28		524A-11
51131-17K20	521B-3	51189-17K00	521A-16	51750-21H30	524B-3
	521B-18		521A-36		524B-11
51152-47H00	521A-4	51189-17K10	521A-19	51750-21H30	524C-3
	521A-24		521A-39		524C-11
521B-4	521C-14	521C-14	524A-14		

PART NO.	FIG.NO.-REF.NO.	PART NO.	FIG.NO.-REF.NO.	PART NO.	FIG.NO.-REF.NO.
51827-29G00	524B-14	55412-22H00	530D-13-1	55772-17K00	534A-7
	524C-14		550A-23-1		534B-7
	521A-17		550B-23-1		534C-7
	521A-37		550C-23-1		462A-1
52110-17K00	521B-12	55413-22H00	550D-23-1	56111-17K00	462A-2
	521B-27		550D-23-1		56151-17K00
	521C-12		530A-13-2		56278-17K00
	521C-27		530B-13-2		56500-17K00
53111-17K00-YKV	521A-13	55412-22H00	530C-13-2	56525-17K00	462A-7
	521A-33		530D-13-2		462A-9
	460A-1-1		550A-23-2		56600-17K00
	460A-1-3		550B-23-2		56619-41G01
53111-17K00-YVB	460C-1	55413-22H00	550C-23-2	57110-21H02	467A-1
	460B-1-1		550D-23-2		57211-21H01
	460A-1-2		530A-13-3		57300-17K00
	460B-1-2		530B-13-3		57431-29G00
53121-33E00	460A-2	54111-17K00-019	530C-13-3	57431-41G00	467A-10
	460B-2		530D-13-3		57433-09F00
	460C-2		550A-23-3		57460-14J01
	530B-1		550B-23-3		57465-17C00
54111-17K00-YLY	530D-1	54162-47H00	550C-23-3	57500-41G41	467A-8
	530A-1		550D-23-3		57532-41G00
	530C-1		55610-17K00		57560-41G20
	530A-9		55610-17K10		57562-41G21
54711-47H00	530B-9	54711-47H00	533C-1	55660-17K00	467A-9
	530C-9		533B-1		57621-41G10
	530D-9		533C-2		57641-33E21
	530A-5		533B-2		57642-33E00
54712-47H00	530B-5	54712-47H00	533C-2	57644-33E00	467A-16
	530C-5		533A-3		58200-17K00
	530D-5		533B-3		58285-17K00
	530A-6		533C-3		58300-17K00
54731-35F10	530B-2	54731-35F10	534A-1	55710-17K00	462A-16
	530C-2		534B-1		58621-17K00
	530D-2		534C-1		58635-17K00
	530A-7		534A-2		59100-14810
54751-41G10	530B-7	54751-41G10	534B-2	55731-15H00	535A-2
	530C-7		534C-2		535A-7
	530D-7		534C-2		59100-14820
	530A-11		534B-20		535A-3
55110-17K00	530B-11	55110-17K00	534C-20	55731-17K00	535A-5
	530C-11		534A-3		535A-10
	530D-11		534B-3		535A-11
	530A-13-1		534C-3		59100-14870
55411-22H00	530B-13-1	55411-22H00	534C-3	55750-17K10	535A-1
	530C-13-1		534A-4		59121-01A00
	534B-6		534B-4		537A-10
	534C-6		534C-4		555A-2
55770-17K00	534C-6	55770-17K00	534A-5	55763-17K00	537A-11
	534B-6		534B-5		555A-3
	534C-6		534C-5		59146-21E10
	534C-6		534A-6		59151-14J00
59200-17K00	534B-6	59200-17K00	534B-6	59200-17K00	535A-9
	534C-6		534B-6		536A-1
	534C-6		534C-6		536B-1
	534C-6		534C-6		

PART NO.	FIG.NO.-REF.NO.	PART NO.	FIG.NO.-REF.NO.	PART NO.	FIG.NO.-REF.NO.
59210-17K00	536C-1	61273-17K00	541A-11		480D-2
	530A-8	61281-41G00	541A-4		480D-5
	530B-8	61311-21H00	541A-13	63116-17K00	474A-4
	530C-8	61445-40F00	541A-17	63117-17K00	474A-5
59240-17K00	530D-8	61446-40F00	541A-16	63121-17K00	474A-6
	536A-2	62100-17810-019	543A-13	63122-17K00	474A-7
	536B-2	62100-17830-019	543C-13	64111-17K00-019	550B-1
	536C-2	62100-17850-019	543B-13		550D-1
59270-17K00	536A-3	62313-47H00	543A-18	64111-17K00-PLY	550A-1
	536B-3		543B-18		550C-1
	536C-3		543C-18	64162-47H00	550A-21
	535A-6	62317-27C10	543A-2		550B-21
59303-14500	555A-5		543B-2		550C-21
59305-36E00	555A-6		543C-2		550D-21
59382-14500	555A-7	62317-44B00	543A-5	64339-14101	524A-17
59386-13A00	555A-8		543B-5		524B-17
59400-17K00	536A-4		543C-5		524C-17
59400-17K10	536B-4	62317-47H00	543A-15	64511-15J00	550A-17
	536C-4		543B-15		550B-17
59600-17810	537A-2		543C-15		550C-17
59600-17K00	537A-1	62600-47810	543A-8		550D-17
59666-29G00	537A-3		543B-8	64610-04K00	550A-12
59667-18441	537A-13		543C-8		550B-12
59667-33J00	558A-13	62611-17K00	543A-1		550C-12
59668-18441	537A-14		543B-1		550D-12
59668-33J00	558A-14		543C-1	64651-17K00	550A-16
59669-07D00	537A-15	62647-47H00	543A-10		550B-16
59671-01H00	537A-8		543B-10		550C-16
59672-17C00	537A-5		543C-10		550D-16
59673-17C00	537A-7	62658-04K00	543A-11	64711-49G00	550A-7
59675-02FA0	537A-9		543B-11		550B-7
59731-47H00	537A-22		543C-11		550C-7
59735-17C00	537A-23	62658-04K10	543A-16		550D-7
59740-47H00	537A-12		543B-16	64721-17K00	550A-8
59743-17C00	537A-16		543C-16		550B-8
59751-47H10	537A-19	62658-47H00	543A-3		550C-8
			543A-6		550D-8
			543B-3	64731-35F10	550A-2
			543B-6		550B-2
			543C-3		550C-2
			543C-6		550D-2
60000		63111-17K00	474A-1	64733-35F00	550A-13
		63113-17K00	474A-2		550B-13
		63114-17K00	474A-3		550C-13
		63115-37H00	480A-2		550D-13
			480A-5		550A-10
61000-17K00-YAP	541A-1		480B-2	64741-35F10	550B-10
61124-41G00	541A-5		480B-5		550C-10
61211-01H00	541A-8		480C-2		550D-10
61214-42E10	541A-10		480C-5	64751-47H10	550A-11
61251-41G00	541A-7				

PART NO.	FIG.NO.-REF.NO.	PART NO.	FIG.NO.-REF.NO.	PART NO.	FIG.NO.-REF.NO.
65110-17K00	550B-11	68191-17K00-BQT	483A-7-2		496C-1-13
	550C-11		483C-7-2	68319-02K90	496A-1-14
	550D-11	68191-17K00-BQU	483C-7-1		496B-1-14
	550A-19	68191-17K00-FNF	483A-7-1		496C-1-14
65710-17K00	550B-19	68251-17K00-BQW	530B-14-1	68319-49J00	496A-1-1
	550C-19		550B-24-1		496B-1-1
	550D-19	68251-17K10-A3G	530B-14-2		496C-1-1
	534A-8		530D-14	68319-49J20	496A-1-2
534B-8		550B-24-2		496B-1-2	
534C-8		550D-24		496C-1-2	
68110-17K00-BQL	420A-2	68252-17K00-BQW	530B-15-1	68319-49J30	496A-1-3
68110-17K00-BQM	420C-2-2		550B-25-1		496B-1-3
68111-47HA0	420C-2-1	68252-17K10-A3G	530B-15-2		496C-1-3
	422A-7		530D-15	68319-49J40	496A-1-4
	422B-6		550B-25-2		496B-1-4
	422C-7		550D-25		496C-1-4
	422D-7	68270-17K00-BQL	481A-6	68319-49J50	496A-1-5
	422E-7		481D-6-2		496B-1-5
68120-17K00-BQL	422A-6	68270-17K00-BQM	481D-6-1		496C-1-5
	422D-6-2	68270-17K20-A3F	481C-6	68319-49J70	496A-1-6
68120-17K00-BQM	422D-6-1		481E-6		496B-1-6
68120-17K10-A3F	422C-6	68270-17K30-A3F	480B-11		496C-1-6
	422E-6		480D-11	68319-49J80	496A-1-7
68131-17K00-BJ8	445D-3	68275-17K00-BQV	480A-12-1		496B-1-7
	445D-6	68275-17K10-BQQ	480A-12-2		496C-1-7
68131-17K00-BQN	445C-3-2		480C-12-2	68319-49J90	496A-1-8
	445C-6-2	68275-17K10-BQR	480C-12-1		496B-1-8
68131-17K00-BQP	445C-3-1	68275-17K30-YVW	481C-7		496C-1-8
	445C-6-1		481E-7	68319-49JA0	496A-1-9
68135-17K00-FNF	445A-3-1	68275-17K40-BRL	480B-14		496B-1-9
68135-17K10-BQL	445A-3-2		480D-14		496C-1-9
	445C-4-2	68275-17K50-BRM	480B-13	68319-49JB0	496A-1-10
68135-17K10-BQM	445C-4-1		480B-17		496B-1-10
68135-17K30-A3F	445B-3		480D-13		496C-1-10
	445D-4		480D-17	68319-49JC0	496A-1-11
68145-17K00-FNF	445A-5-1	68276-17K00-BQV	480A-15-1		496B-1-11
68145-17K10-BQL	445A-5-2	68276-17K10-BQQ	480A-15-2		496C-1-11
	445C-7-2		480C-15-2	68319-49JP0	496A-1-12
68145-17K10-BQM	445C-7-1	68276-17K10-BQR	480C-15-1		496B-1-12
68145-17K30-A3F	445B-5	68276-17K40-BRL	480B-18		496C-1-12
	445D-7		480D-18	68332-17K00	496A-2
68181-47HA1-17U	483A-5-2	68281-17K10	521B-15		496B-2
	483C-5		521B-30		496C-2
68181-47HA1-YSF	483A-5-1		521C-15	68386-14J00	496A-4
68181-47HA1-YVW	483B-5		521C-30		496B-4
	483D-5	68281-47HA0	481D-23		496C-4
68185-17K00-A3F	483B-6		524A-19	68680-17K00-BQS	485A-8
	483D-6		524C-19		485D-8-2
68191-17K00-AGQ	483B-8	68319-02K40	496A-1-13	68680-17K00-KGL	485D-8-1
	483D-8		496B-1-13	68680-17K20-A3F	485C-2

PART NO.	FIG.NO.-REF.NO.	PART NO.	FIG.NO.-REF.NO.	PART NO.	FIG.NO.-REF.NO.
68680-17K30-AGQ	485E-2 485C-3 485E-3	69272-17K00 69480-17K10 69600-34810	558A-24 558A-25 558A-2	94400-17K00-4UX 94400-17K00-6UX 94400-17K00-YVWV	483A-4-1 483C-4-1 483A-4-2 483C-4-2
68680-17K40-AHB	485C-10 485E-10	69600-47H30 69665-47H00	558A-1 558A-4	94400-17K10-YSF	483B-4
68685-17K01-FNF	485B-2	69669-17K00	558A-15	94410-17K00-YKV	483D-4
68685-17K10-BQS	485A-2 485D-2-2	69670-40A00 69672-00B20	558A-6 558A-8	94410-17K10-YVB	481B-1 481D-1-1
68685-17K10-KGL	485D-2-1	69674-00B20	537A-6	94410-17K10-YVWV	481A-1
68685-17K20-BQL	485A-3 485D-3-2	69686-34200	558A-10 537A-4	94410-17K20-YSF	481D-1-2 481C-1
68685-17K20-BQM	485D-3-1		558A-9		481E-1
68685-17K30-BRN	485C-4 485E-4	69691-00A00 69692-47H00	558A-3 558A-5	94414-17K00	480A-17 480B-20
68690-17K00-BQS	485A-11 485D-11-2	69693-47H00 69730-17K00	558A-7 558A-18	94415-17K00	480A-18 480B-21
68690-17K00-KGL	485D-11-1	69740-17K00	558A-12	94420-17K00	480A-1
68690-17K20-A3F	485C-6 485E-6	69750-17K00	558A-16		480B-1 480C-1 480D-1
68690-17K30-AGQ	485C-7 485E-7			94430-17K00	480A-4 480B-4
68690-17K40-AHB	485C-13 485E-13				480C-4 480D-4
68695-17K01-FNF	485B-4			94443-06G00	474A-8 483A-3
68695-17K10-BQS	485A-5 485D-5-2	73415-70A00	480A-13		483B-3
68695-17K10-KGL	485D-5-1		480A-16		483C-3
68695-17K20-BQL	485A-6 485D-6-2		480B-15 480B-19		483D-3
68695-17K20-BQM	485D-6-1		480C-13	94443-21H00	481A-5
68695-17K30-BRN	485C-8 485E-8		480C-16 480D-15		481B-5 481C-5
69100-13810	555A-10		480D-19		481D-5
69100-47810	555A-9		481A-18		481E-5
69100-47830	555A-14		481A-22	94450-17K00-YKV	485B-5
69100-47H41-999	555A-1		481B-17	94450-17K10-YVB	485D-7-1
69115-17K01	555A-11		481B-21	94450-17K10-YVWV	485A-7
69132-47H00	555A-15		481C-19		485D-7-2
69133-47H00	555A-16		481C-23	94450-17K20-YKV	485C-9
69134-47H00	555A-17		481D-18		485E-9
69141-40F00	555A-12		481D-22	94458-17K00	483A-12
69150-47H20	555A-13		481E-19		483B-13
69211-47H00	550A-5 550B-5 550C-5 550D-5		481E-23		483C-12 483D-13 485B-7
69240-17K00	558A-20			94460-17K00-YKV	485D-10-1
69260-17K00	558A-21			94460-17K10-YVB	485A-10
69268-17K00	558A-22			94460-17K10-YVWV	485D-10-2
69270-17K00	558A-23			94460-17K20-YKV	485C-12 485E-12

PART NO.	FIG.NO.-REF.NO.	PART NO.	FIG.NO.-REF.NO.	PART NO.	FIG.NO.-REF.NO.
94461-17K00	483A-8 483B-9 483C-8 483D-9	94480-17K10-YVB 94480-17K10-YVWV	485D-4-1 485A-4 485D-4-2		485D-17 485E-19 480B-10 480D-10
94462-17K00	483A-9 483B-10 483C-9 483D-10		485E-5	94611-17K00	481A-7 481B-6 481C-8 481D-7 481E-8
94470-17K00-4UX	485B-1		483A-22		483B-23 483C-22 483D-23
94470-17K10-YVB	485D-1-1	94486-17K10	483A-23	94620-17K00	483A-1 483B-1 483C-1 483D-1
94470-17K10-YVWV	485A-1 485D-1-2		483B-24 483C-23 483D-24		483B-1 483C-1 483D-1
94470-17K30-YSF	485C-1 485E-1	94487-17K00	485A-12	94621-17K00	481A-9 481B-8 481C-10
94476-17K00	483A-20 483B-21 483C-20 483D-21		485B-8 485C-14 485D-12 485E-14		481D-9 481E-10 481A-15 481B-14
94476-38C00	480A-21 480B-24 480C-19 480D-22	94487-17K10	483A-24 483B-25 483C-24 483D-25	94630-17K00	481A-15 481C-16 481D-15 481E-16
94477-17K00	485A-9 485B-6 485C-11 485D-9	94491-17K00	483A-11 483B-12 483C-11 483D-12	94631-17K00	481A-8 481B-7 481C-9 481D-8 481E-9
94477-17K10	485E-11 483A-21 483B-22 483C-21 483D-22	94500-17K00-4UX 94500-17K00-6UX 94500-17K00-YSF	483A-6-1 483C-6-1 483D-7 483A-6-2 483C-6-2	94633-31J00	480A-22 480B-25 480C-20 480D-23
94477-17K20	485A-15 485B-11 485C-17 485D-15	94511-17K00	481A-11 481B-10 481C-12 481D-11	94640-17K00	481A-19 481B-18 481C-20 481D-19 481E-20
94478-14J00	445A-10 445B-10 445C-12 445D-12	94520-17K00	485A-16 485B-12 485C-18 485D-16		94670-17K00-4UX 94670-17K10-YVB 94670-17K10-YVWV
	485B-19 485C-25 485D-23 485E-25	94530-17K00	485E-18 485A-20 485B-16 485C-22	94670-17K30-YKV	480B-12 480D-12 480A-10 480C-10-1
94479-35F00	483A-18 483B-19 483C-18 483D-19	94540-17K00	485D-20 485E-22 485A-17 485B-13	94671-17K00-YVWV 94680-17K00-4UX 94680-17K10-YVB 94680-17K10-YVWV	480C-10-2 480A-14-1 480C-14-1 480A-14-2 480C-14-2
94480-17K00-4UX	485B-3		485C-19		

PART NO.	FIG.NO.-REF.NO.	PART NO.	FIG.NO.-REF.NO.	PART NO.	FIG.NO.-REF.NO.
94680-17K30-YKV	480B-16	00000			427A-3
95643-58J00	480D-16				462A-19
	330A-6			01550-0620A	116A-19
	330B-6				350A-25
	330C-6		350B-25		350C-25
95700-14810	505A-16	01547-0516A	163A-27		
96514-17K00	505A-18	01547-0612A	108A-25	01550-0625A	485A-21
96514-17K10	505A-19		163A-28		485B-17
99000-25030	901A-5		312A-16		485C-23
99000-25110	901A-1		312B-16		485D-21
99000-25140	901A-6		312C-16		485E-23
99000-31140	901A-4		534A-15	01550-0625B	112A-19
99000-32020	901A-2-1		534B-15	01550-0840A	108A-7
99000-32030	901A-2-2		534C-15		108A-13
99000-32040	901A-3		536A-10	01550-0850A	108A-8
99000-32100	901A-2-4		536B-10	01550-0865A	108A-14
99000-32130	901A-2-5		536C-10	02112-0525B	355A-5
99000-32160	901A-2-3		537A-20	02112-0535B	355A-2
99000-69491	126A-21		558A-29	02112-0540B	355A-3
99011-17K51-01A	496A-5-1		558A-30	02112-0616A	180A-13
	496B-5-1	01547-0616A	187A-14	02122-0616A	103A-21
	496C-5-1	01547-0616B	534A-16	02142-0410A	537A-17
99011-17K51-01E	496A-5-5		534A-17	02142-0635A	312A-20
	496B-5-5		534B-16		312B-20
	496C-5-5		534B-17		312C-20
99011-17K51-01F	496A-5-2		534C-16	03511-0516A	155A-27
	496B-5-2		534C-17	03541-0412A	155A-21
	496C-5-2	01547-0620A	187A-3	03541-0412B	480A-25
99011-17K51-01H	496A-5-6		189A-8		480B-28
	496B-5-6		301A-11	03541-0416A	330A-8
	496C-5-6	01547-0620B	467A-15		330B-8
99011-17K51-01K	496A-5-3	01547-0625A	116A-3		330C-8
	496B-5-3	01547-0630A	108A-37	03541-0512A	474A-10
	496C-5-3	01547-0635A	108A-6	03541-0512B	333B-8
99011-17K51-01T	496A-5-9		108A-12		333C-8
	496B-5-9		180A-14		480A-26
	496C-5-9	01547-0645A	112A-21		480B-29
99011-17K51-01W	496A-5-4	01547-0665A	103A-12	03541-0516A	339A-5
	496B-5-4	01547-0690A	112A-22		445A-17
	496C-5-4	01550-0610A	178A-7		445B-17
99011-17K51-029	496A-5-7	01550-0612A	103A-16		445C-19
	496B-5-7		185A-16		445D-19
	496C-5-7		187A-15		448A-13
99011-17K51-070	496A-5-8		350A-27		448B-13
	496B-5-8		350B-27		448C-13
	496C-5-8		350C-27		474A-11
			536A-11		474A-19
			536B-11		485A-14
			536C-11		485B-10
		01550-0616A	185A-17		485C-16

PART NO.	FIG.NO.-REF.NO.	PART NO.	FIG.NO.-REF.NO.	PART NO.	FIG.NO.-REF.NO.
	485D-14	08313-2008A	481A-13		312B-12
	485E-16		481B-12		312C-12
03541-0516B	474A-12		481C-14	09103-06206	116A-12
03541-0525A	155A-28		481D-13	09103-06213	112A-3
04111-2015A	558A-33		481E-14		112A-15
04211-09149	112A-17	08316-1005A	339A-10	09103-06215	112A-4
	112A-23		339A-12	09103-06223	201A-30
	116A-16	08316-1006A	163A-29	09103-06224	112A-16
04211-09189	112A-6		312A-23	09103-06266	103A-2
04211-11169	103A-9		312B-23	09103-06307	185A-12
04221-03059	120A-3		312C-23	09103-06523	116A-13
04221-07129	206A-16		334A-5	09103-07003	126A-7
06111-07004	415A-20		334A-11	09103-08134	108A-9
	415A-28		427A-7	09103-08207	481A-12
07120-0612B	140A-35		505A-14		481B-11
07120-0616A	172A-15		505A-17		481C-13
	534A-18		534A-19		481D-12
	534B-18		534B-19		481E-13
	534C-18		534C-19	09103-08391	524A-16
07120-0620A	312A-21	08316-1008A	541A-19		524B-16
	312B-21	08319-3106A	467A-12		524C-16
	312C-21	08319-3108A	524A-18	09103-09012	108A-10
07120-0625A	212A-35		524B-18	09103-10189	122A-9
	212B-35		524C-18	09103-10366	407A-4
	212C-35	08319-3110A	550A-18	09103-10450	535A-12
07120-0630B	312A-22		550B-18	09103-12078	108A-38
	312B-22		550C-18	09103-12135	304A-4
	312C-22		550D-18	09106-05023	212A-41
07120-0835A	108A-15	08322-0106A	312A-14		212B-41
07130-0512A	304A-7		312B-14		212C-41
	550A-22		312C-14	09106-06073	178A-12
	550B-22		474A-13	09106-06075	108A-21
	550C-22		558A-32	09106-06134	530A-10
	550D-22	08331-3112A	122A-17		530B-10
07130-0612A	533A-7	08331-3114A	212A-26		530C-10
	533B-7		212B-26		530D-10
	533C-7		212C-26	09106-06137	304A-5
07130-0616A	312A-25	08331-3115A	122A-18	09106-07021	102A-6
	312B-25	08331-4130A	108A-32	09106-08160	550A-6
	312C-25	08332-1106A	415A-14		550B-6
07130-0620B	462A-12		415A-21		550C-6
07130-0625A	127A-8		415A-29		550D-6
07130-0825A	163A-9	08361-2508A	163A-18	09106-08162	163A-13
08211-06141	212A-14	09100-06099	180A-10	09106-08164	163A-14
	212B-14	09100-08305	541A-18	09106-08167	212A-32
	212C-14		420A-15		212B-32
08211-10221	122A-14	09103-06033	420B-14		212C-32
08211-10285	122A-15		420C-15	09106-08185	462A-3
08211-20403	122A-16		420D-14	09106-08186	415A-11
08310-0006A	201A-40	09103-06066	312A-12		415A-31

PART NO.	FIG.NO.-REF.NO.	PART NO.	FIG.NO.-REF.NO.	PART NO.	FIG.NO.-REF.NO.
09106-10064	415A-12		333C-6		485E-21
09106-10069	103A-24	09136-06147	212A-4	09139-06207	533A-4
09106-12001	462A-5		212A-8		533B-4
09111-05006	537A-18		212B-4		533C-4
09111-06041	212A-13		212B-8	09139-06208	140A-31
	212B-13		212C-4		534A-10
	212C-13		212C-8		534B-10
09111-06072	541A-12	09137-05004	301A-12		534C-10
09111-06081	420A-16	09139-05078	422A-2		558A-11
	420B-15		422B-2	09139-06210	422A-8
	420C-16		422C-2		422B-7
	420D-15		422D-2		422C-8
	474A-18		422E-2		422D-8
09111-06085	187A-20	09139-05091	485A-18		422E-8
09111-06089	155A-16		485B-14	09139-06214	355A-7
09111-06092	460B-3		485C-20		462A-21
	460C-3		485D-18	09140-06020	212A-36
09111-06106	480A-9		485E-20		212B-36
	480B-9	09139-05092	445A-12		212C-36
	480C-9		445B-12	09140-06025	212A-33
	480D-9		445C-14		212B-33
09111-06107	483A-13		445D-14		212C-33
	483B-14		448A-11	09148-05038	474A-9
	483C-13		448B-11	09148-05045	448A-12
	483D-14		448C-11		448B-12
	541A-14	09139-06124	163A-32		448C-12
09111-06250	140A-48	09139-06139	445A-11	09148-05052	420A-24
09116-06197	140A-30		445B-11		420B-23
09116-06514	178A-2		445C-13		420C-24
09118-06097	185A-13		445D-13		420D-23
09118-06122	178A-3		534A-9		422A-4
09118-08152-A05	163A-4		534B-9		422B-4
09119-06105	163A-5		534C-9		422C-4
09125-05042	462A-17		558A-17		422D-4
09125-06060	541A-6	09139-06153	206A-45		422E-4
09126-06011	206A-43	09139-06159	206A-46		445A-13
	206A-44	09139-06181	422A-14		445B-13
09126-06014	212A-20		422B-13		445C-15
	212B-20		422C-14		445D-15
	212C-20		422D-14		480A-7
09128-06013	312A-5		422E-14		480B-7
	312B-5	09139-06191	420A-17		480C-7
	312C-5		420B-16		480D-7
09132-05050	480A-19		420C-17	09159-05019	481A-10
	480B-22		420D-16		481B-9
	480C-17	09139-06206	460A-3		481C-11
	480D-20		485A-19		481D-10
09134-06015	201A-31		485B-15		481E-11
09136-05062	333A-6		485C-21	09159-05048	537A-21
	333B-6		485D-19	09159-06086	420A-18

PART NO.	FIG.NO.-REF.NO.	PART NO.	FIG.NO.-REF.NO.	PART NO.	FIG.NO.-REF.NO.
	420B-17		543B-19	09181-12167	122A-10
	420C-18		543C-19	09181-14195	212A-22
	420D-17	09160-14016	212A-21		212B-22
	163A-6		212B-21		212C-22
09159-06100	407A-5		212C-21	09181-16214	407A-6
09159-10103	543A-17	09160-15045	201A-33	09181-24005	206A-30
09159-10115	543B-17	09160-25056	201A-19	09181-25223	201A-22
	543C-17	09160-25070	550A-9	09181-27016	206A-52
09159-12056	543A-4		550B-9	09200-06068	558A-31
	543A-7		550C-9	09206-08007	103A-3
	543A-12		550D-9	09206-10016	102A-7
	543B-4	09160-27008	206A-8	09208-08018	415A-13
	543B-7	09161-10009	536A-5	09208-08020	415A-18
	543B-12		536B-5		415A-26
	543C-4		536C-5	09246-05006	108A-22
	543C-7		558A-26		108A-35
	543C-12	09164-06006	180A-11	09248-10006	103A-6
09159-12081	108A-39	09164-24008	201A-21	09248-10010	108A-27
09159-20006	541A-9	09167-27001	206A-9	09248-12004	108A-23
09159-22008	206A-51	09168-06018	108A-26	09248-16012	103A-14
09159-24010	201A-20	09168-06023	103A-15	09248-16013	108A-34
09160-04026	330A-7		112A-5	09250-05009	462A-11
	330B-7	09168-06025	180A-12	09250-06012	445A-15
	330C-7	09168-08016	108A-18		445B-15
09160-05045	339A-3	09168-10002	108A-28		445C-17
	339A-8	09168-10031	108A-11		445D-17
09160-06012	420A-19	09168-12002	108A-24	09251-09002	505A-15
	420B-18	09168-12017	103A-23	09259-36021	112A-9
	420C-19	09168-14002	116A-5	09261-03020	126A-4
	420D-18	09168-16002	108A-33	09261-04005	126A-10
	422A-9	09168-16009	103A-13	09262-25001	206A-14
	422B-8	09169-06076	334A-3	09262-25006	212A-9
	422C-9		334A-9		212B-9
	422D-9	09180-06263	339A-9		212C-9
	422E-9	09180-06283	445A-14	09262-25167	530A-3
09160-06088	140A-32		445B-14		530B-3
	533A-5		445C-16		530C-3
	533B-5		445D-16		530D-3
	533C-5	09180-06290	178A-4	09262-28052	550A-3
09160-06126	505A-13		185A-14		550B-3
09160-08043	460A-6	09180-06319	140A-33		550C-3
	460B-6	09180-06331	312A-18		550D-3
	460C-6		312B-18	09262-30001	206A-36
09160-08142	163A-15		312C-18	09262-32022	550A-14
09160-10020	201A-32		534A-11		550B-14
09160-10144	212A-34		534B-11		550C-14
	212B-34		534C-11		550D-14
	212C-34	09180-08152	163A-7	09263-10014	201A-34
09160-12036	304A-6		163A-16	09263-12023	122A-11
09160-12037	543A-19	09181-12158	116A-14	09263-12027	201A-35

PART NO.	FIG.NO.-REF.NO.	PART NO.	FIG.NO.-REF.NO.	PART NO.	FIG.NO.-REF.NO.
09263-14027	212A-23		212B-24	09320-09039	333A-7
	212B-23		212C-24		333B-7
	212C-23	09283-40043	206A-38		333C-7
09263-15003	201A-36	09284-18005	212A-31	09320-10050	422A-10
09263-17046	543A-14		212B-31		422B-9
	543B-14		212C-31		422C-10
	543C-14	09284-37001	550A-4		422D-10
09263-20070	541A-3		550B-4		422E-10
09263-20074	543A-9		550C-4	09320-10051	178A-6
	543B-9		550D-4		185A-15
	543C-9	09285-10004	201A-39	09320-10054	339A-4
09263-20114	206A-15	09285-20006	206A-10	09320-10055	140A-34
09263-22074	206A-37	09285-32004	530A-4	09320-10066	533A-6
09263-24030	206A-31		530B-4		533B-6
09263-25018	212A-10		530C-4		533C-6
	212B-10		530D-4	09320-12048	163A-17
	212C-10	09285-39001	550A-15	09320-12077	163A-8
09263-26035	122A-12		550B-15	09321-06013	480A-23
09263-27013	541A-2		550C-15		480B-26
09263-35015	201A-4		550D-15		480C-21
09263-35045	201A-5	09320-08021	422A-3		480D-24
	206A-32		422B-3	09321-06026	474A-20
09267-30010	524A-2		422C-3	09321-10002	505A-3
	524A-9		422D-3	09321-10018	483A-19
	524B-2		422E-3		483B-20
	524B-9	09320-08028	480A-8		483C-19
	524C-2		480B-8		483D-20
	524C-9		480C-8	09352-11153-600	407A-10
09269-08003	524A-15		480D-8	09352-50823-600	350A-23
	524B-15		481A-14		350B-23
	524C-15		481B-13		350C-23
09280-04004	103A-7		481C-15	09355-30705-600	140A-26
	108A-20		481D-14	09360-10062	536A-6
09280-08012	108A-29		481E-15		536B-6
09280-15007	116A-15	09320-08066	163A-33		536C-6
09280-15015	178A-13	09320-08071	420A-20		558A-27
09280-17003	112A-8		420B-19	09360-10064	536A-7
09280-19008	116A-18		420C-20		536B-7
09280-20002	108A-5		420D-19		536C-7
09280-26005	206A-53	09320-08501	312A-19	09362-09011	187A-11
	212A-42		312B-19	09380-09003	122A-13
	212B-42		312C-19	09380-27004	206A-11
	212C-42	09320-09016	460A-4	09380-27006	206A-12
09280-28005	187A-10		460B-4		206A-13
09280-33004	112A-10		460C-4	09380-30009	206A-33
09280-33006	178A-5		485A-13		206A-34
09280-45004	103A-19		485B-9		206A-35
09282-10012	201A-37		485C-15	09401-08411	187A-21
09283-06013	201A-38		485D-13	09401-10201-XC0	427A-11
09283-14006	212A-24		485E-15	09401-10409	427A-12

PART NO.	FIG.NO.-REF.NO.	PART NO.	FIG.NO.-REF.NO.	PART NO.	FIG.NO.-REF.NO.
09401-11413	427A-13		420C-26		350B-4
09401-12404	558A-19		420D-25		350C-4
09401-12414	187A-12	09408-00101	534A-12	09481-30101	312A-3
09401-14101	155A-11		534B-12		312B-3
	155A-12		534C-12		312C-3
09401-17201	189A-7		355A-8	09481-30504	350A-5
09402-35501	187A-13	09408-00184	534A-13		350B-5
09403-06414	163A-25	09408-00266	534A-14		350C-5
09403-07409	536A-8		534B-13	09482-00555	103A-17-5
	536B-8		534B-14	09482-00556	103A-17-3
	536C-8		534C-13	09482-00557	103A-17-2
09403-16412	536A-9		534C-14	09482-00558	103A-17-1
	536B-9	09409-05308-5PK	401A-4	09482-00559	103A-17-6
	536C-9	09409-06314	422A-16	09482-00560	103A-17-4
09404-06429	163A-26		422B-15	09493-28012	108A-30
	212A-43		422C-16	09493-80005	103A-8
	212B-43		422D-16		
	212C-43		422E-16		
	334A-4		480A-24		
	350A-13		480B-27		
	350A-19		480C-22		
	350B-13		480D-25		
	350B-19		483A-10		
	350C-13		483B-11		
	350C-19		483C-10		
09404-06433	350A-20		483D-11		
	350B-20	09409-06328	350A-17		
	350C-20		350B-17		
	420A-25		350C-17		
	420B-24		445A-16		
	420C-25		445B-16		
09407-10404	420D-24		445C-18		
	312A-13		445D-18		
	312B-13	09409-08308-5ES	541A-15		
	312C-13	09420-04008	304A-8		
09407-14403	334A-10	09440-05005	415A-19		
	350A-16		415A-27		
	350B-16	09443-11033	407A-11		
	350C-16	09443-14070	407A-7		
09407-14407	212B-45	09443-19016	407A-8		
	212C-45	09444-20001	212A-25		
	350A-14		212B-25		
	350B-14		212C-25		
	350C-14	09481-07504	350A-2		
	558A-28		350B-2		
09407-17403	350A-15		350C-2		
	350B-15	09481-10504	350A-3		
	350C-15		350B-3		
	420A-26		350C-3		
	420B-25	09481-15504	350A-4		

SUZUKI GSX-R1000A/RA/RZAL8 PARTS CATALOGUE

SUZUKI MOTOR CORPORATION All rights reserved

No part of this document may be reproduced or transmitted in any form or by any means, electronic or mechanical, for any purpose, without the express written permission of Suzuki Motor Corporation.

SUZUKI MOTOR CORPORATION

Service Material Development Group. Service Engineering Dept.
300 Takatsuka, Minami, Hamamatsu, Japan

Copyright © SUZUKI MOTOR CORPORATION 2018 All Rights Reserved

SUZUKI MOTOR CORPORATION

PRINTED IN JAPAN

9900B-31439-010