

SUZUKI

PARTS CATALOGUE

DL650AL5

(JS1C7121)



V-STROM 650A

E99

2014-6

1ST EDITION

PREFACE

When it becomes necessary to replace parts on SUZUKI MOTORCYCLES, always use SUZUKI GENUINE PARTS which have passed a strict inspection which guarantees quality and performance.

This parts catalogue covers the list of all service parts for SUZUKI DL650AL5.

INSTRUCTIONS FOR QUOTING THE CATALOGUE

1. DIMENSIONS

Dimensions of the parts in this catalogue are indicated in unit millimeters.

2. ABBREVIATIONS

Abbreviations used in this catalogue are as follows:

AR	: As required	NT	: Number of teeth
ASSY	: Assembly	OPT	: Optional
E.NO.	: Engine number	OS	: Over size
F.NO.	: Frame number	STD	: Standard
D	: Diameter of material	T	: Thickness
ID	: Inside diameter	US	: Under size
OD	: Outside diameter	W	: Width

L : Length

LH : Left hand side

RH : Right hand side

~100045 : Up to F.NO.100045

100046~ : From F.NO.100046

12 x 34 x 5.6..... Figures in the description column

| | | show the dimensions of parts.

ID OD T(or W,L)

→12345-56781 (Parts No.) : indicates that the parts number was changed to 12345-56781 and the new parts are interchangeable with the former ones but the former ones are not interchangeable with new ones.

←12345-56781 (Parts No.) : indicates that the former and new parts are interchangeable with each other and both are usable.

3. INNER PARTS OF ASSEMBLY

Part name with a dot (.) in front as shown in the description column indicates the component of the assembly also available individually.

4. MODIFICATION NOTICE

A parts bulletin will be sent to you on all occasions when changes in parts occur, including interchangeable modifications between new parts and old ones.

5. NOTE

5-1. There are some different parts from those of production models among spare parts for the administrative reasons and common use of them with other models.

5-2. In respect of rubber hoses and vinyl tubes, please be sure to use them by cutting off according to the length mentioned on parts catalogue or what is actually required on the vehicle.

5-3. Note that the drawings on the illustration page are for ready reference of spare parts number, not to be used as an assembly manual. When assembling, use "SUZUKI SERVICE MANUAL".

6. SPECIFICATION CODE

This catalogue contains the parts for the model designed for the following spec.; spec. code : E99.

7. SERIAL FRAME NUMBER

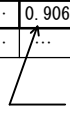
DL650AL5 : JS1C71213F0100001~

MILLIMETER → INCH CONVERSION CHART

	0	1	2	3	4	5	6	7	8	9
00	.000	.039	.079	.118	.157	.197	.236	.276	.315	.354
10	.394	.433	.472	.512	.551	.591	.630	.669	.709	.748
20	.787	.827	.866	.906	.945	.984	1.024	1.063	1.102	1.142
30	1.181	1.220	1.260	1.299	1.339	1.378	1.417	1.457	1.496	1.535
40	1.575	1.614	1.654	1.693	1.732	1.772	1.811	1.850	1.890	1.929
50	1.969	2.008	2.047	2.087	2.126	2.165	2.205	2.214	2.283	2.323
60	2.362	2.402	2.441	2.480	2.520	2.559	2.598	2.638	2.677	2.717
70	2.756	2.795	2.835	2.874	2.913	2.953	2.992	3.031	3.071	3.110
80	3.150	3.189	3.228	3.268	3.307	3.346	3.386	3.425	3.465	3.504
90	3.543	3.583	3.622	3.661	3.701	3.740	3.780	3.819	3.858	3.898

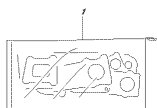
How to read

	0	1	2	3	4
00
10
20	0.906	...
30


 23 millimeters equal 0.906 inch

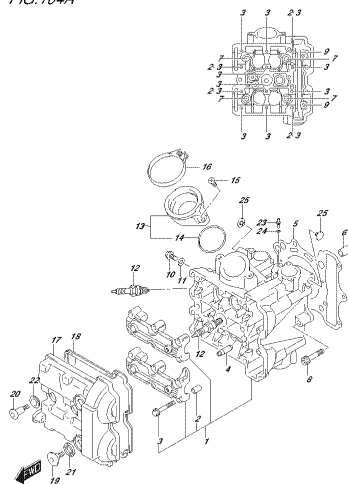
Contents are subject to change without notice or obligation.

FIG. 101A



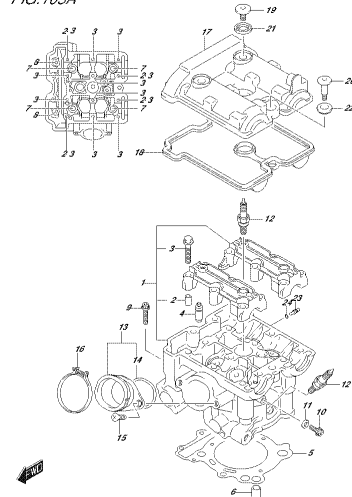
ZL68TALE_EPR_101A
DECKEL 257

FIG. 104A



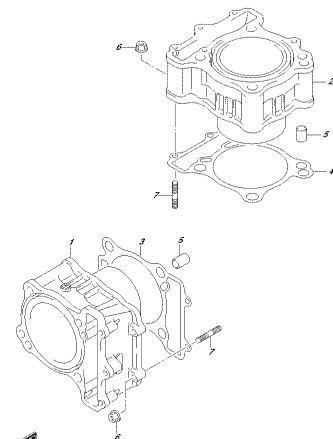
ZL68TALE_EPR_104A
ZYLINDERHAUPT (FRONT)

FIG. 105A



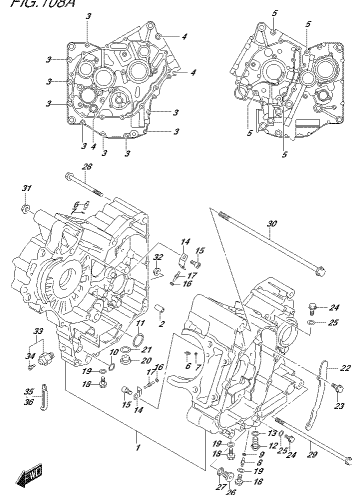
ZL68TALE_EPR_105A
ZYLINDERHAUPT (REAR)

FIG. 107A



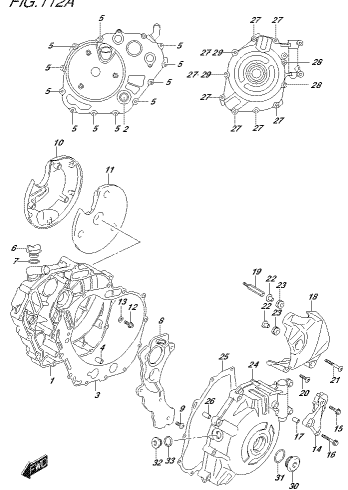
ZL68TALE_EPR_107A
ZYLINDER

FIG. 108A



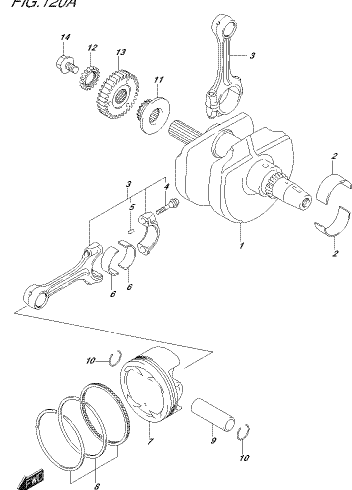
ZL68TALE_EPR_108A
CRANKCASE

FIG. 112A



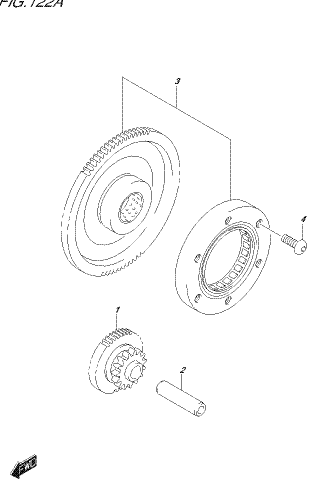
ZL68TALE_EPR_112A
CRANKCASE COVER

FIG. 120A



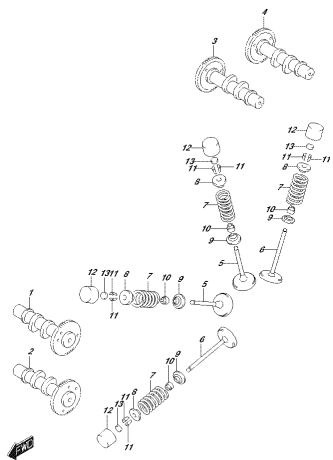
ZL68TALE_EPR_120A
CRANKSHAFT

FIG. 122A



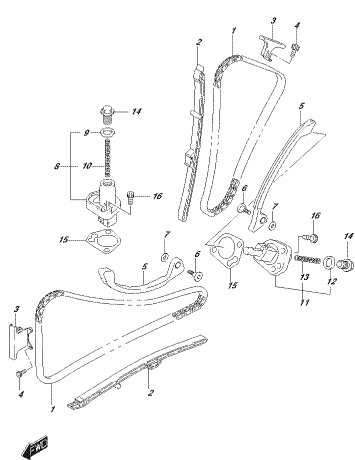
ZL68TALE_EPR_122A
STARTER-GEHÄUSE

FIG. 126A



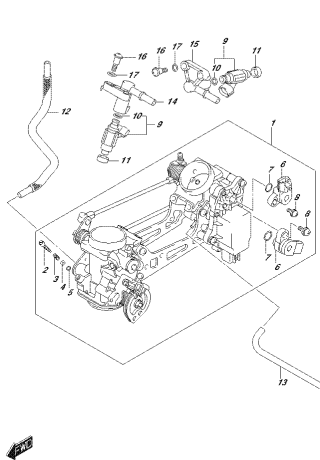
ZL683ALE.ERL.1074
DREHSCHEIBENLEISTE

FIG. 127A



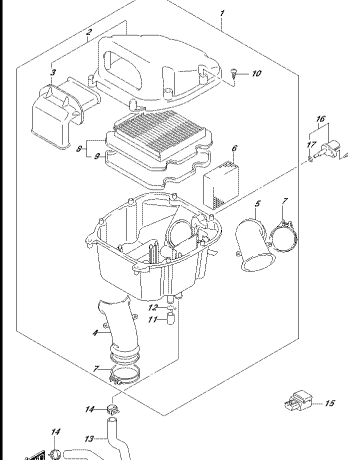
ZL683ALE.ERL.1074
DREHSCHEIBE

FIG. 140A



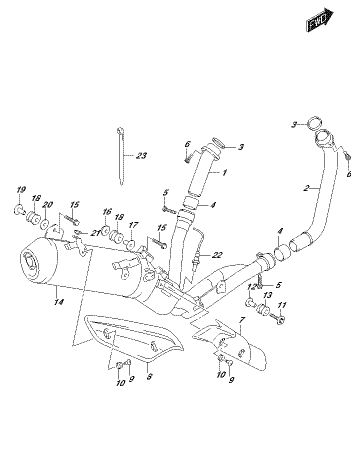
ZL683ALE.ERL.1074
FORSCHTEILE-BOCK

FIG. 155A



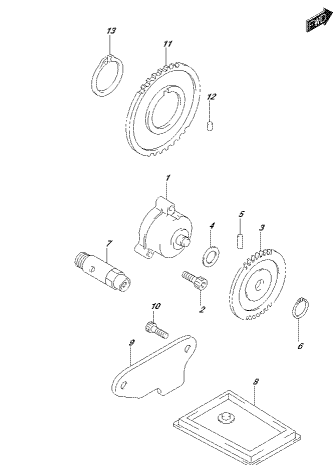
ZL683ALE.ERL.1074
AIR-CLEANER

FIG. 163A



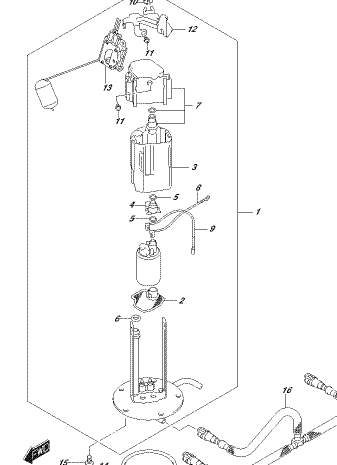
ZL683ALE.ERL.1074
AUFNAHMER

FIG. 170A



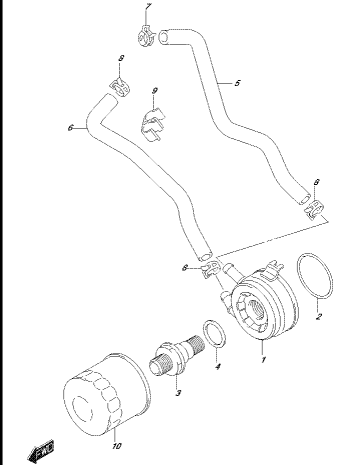
ZL683ALE.ERL.1074
OIL PUMP

FIG. 172A



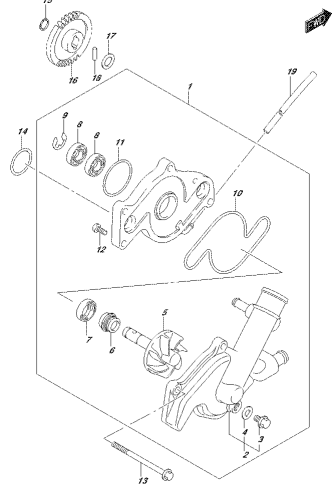
ZL683ALE.ERL.1074
FUEL PUMP

FIG. 178A



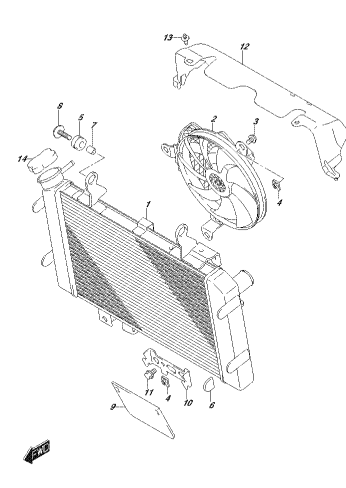
ZL683ALE.ERL.1074
OIL COOLER

FIG.180A



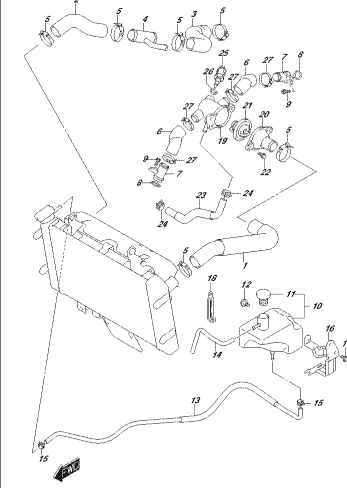
23.65241E_ERS_1084
GEAR PUMP

FIG.185A



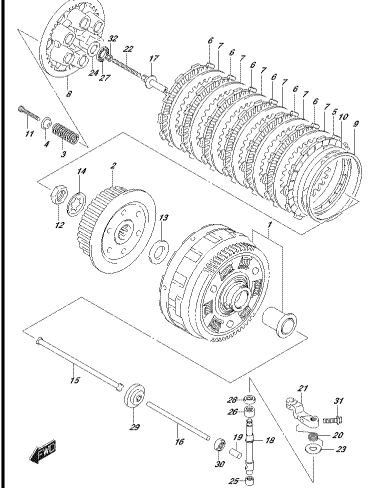
23.65241E_ERS_1084
FAN MOTOR

FIG.187A



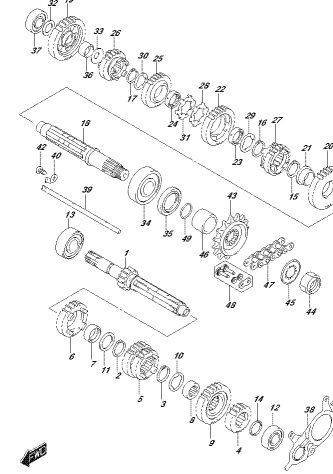
23.65241E_ERS_1084
ENGINE MOTOR

FIG.201A



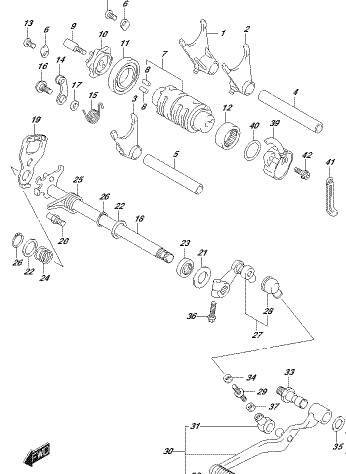
23.65241E_ERS_1014
CLUTCH

FIG.206A



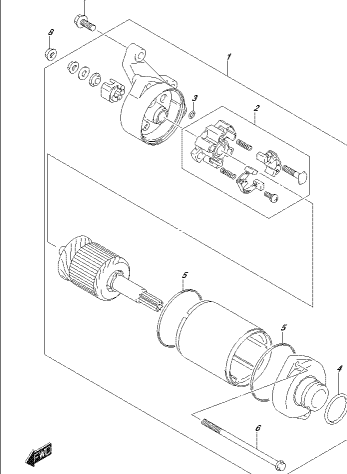
23.65241E_ERS_1084
TRANSMISSION

FIG.212A



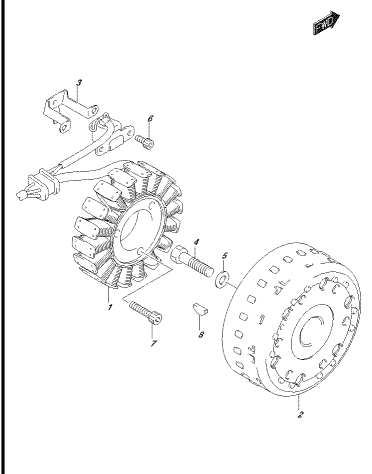
23.65241E_ERS_1014
GEAR SHIFTING

FIG.301A



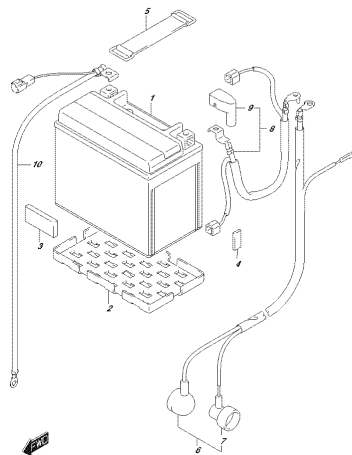
23.65241E_ERS_1014
STARTING MOTOR

FIG.303A



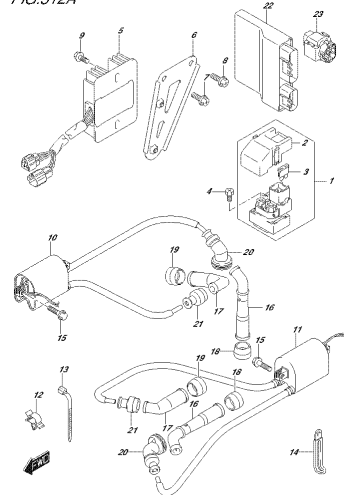
23.65241E_ERS_1034
MAGNET

FIG.310A



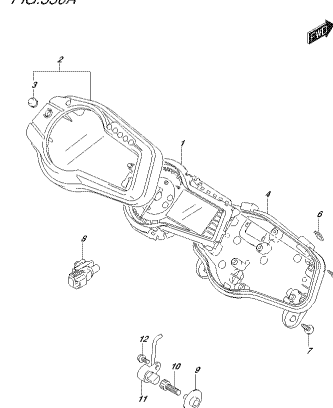
ZUSBALE_EPR_310A
BATTERIJ

FIG.312A



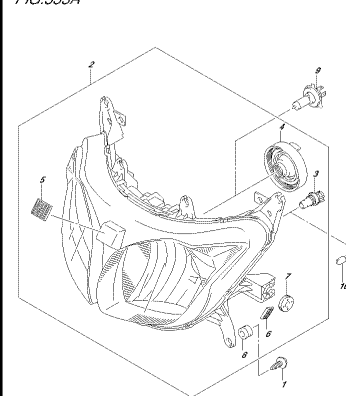
ZUSBALE_EPR_312A
OPZICHTER

FIG.330A



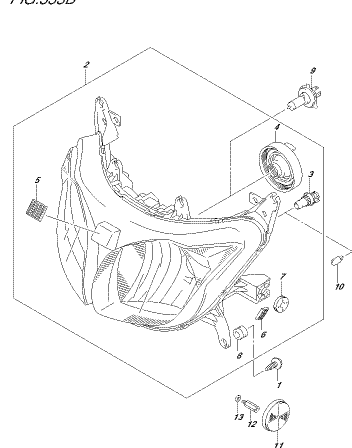
ZUSBALE_EPR_330A
OPZICHTER

FIG.333A



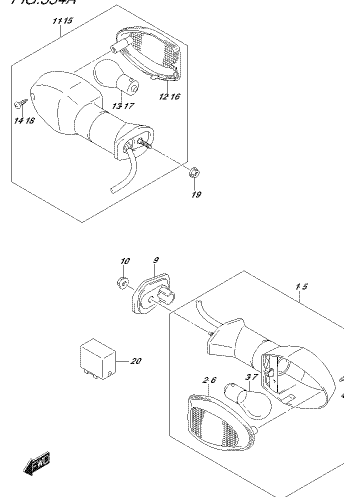
ZUSBALE_EPR_333A
HEKELAMP

FIG.333B



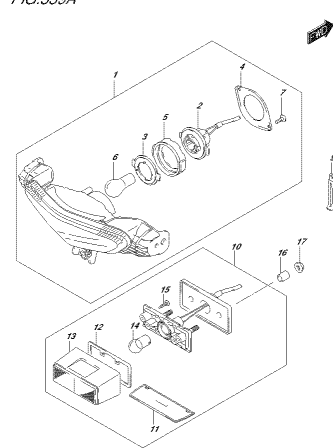
ZUSBALE_EPR_333B
HEKELAMP

FIG.334A



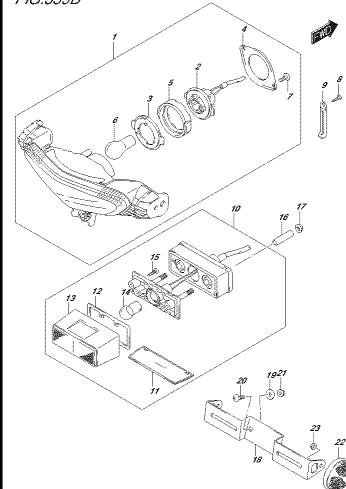
ZUSBALE_EPR_334A
TOERNSIGNAL

FIG.339A



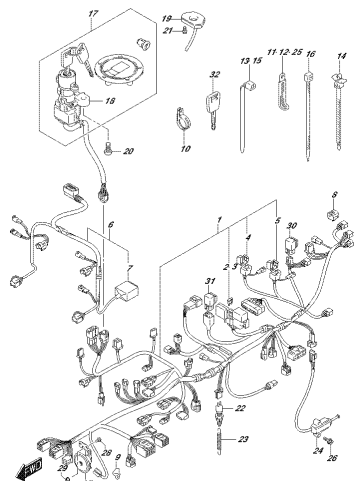
ZUSBALE_EPR_339A
REAR CONSTRUCTION LAMP

FIG.339B



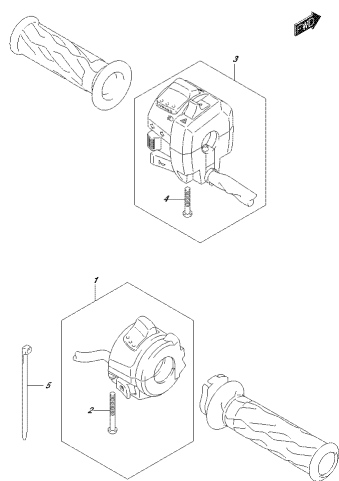
ZUSBALE_EPR_339B
REAR CONSTRUCTION LAMP

FIG.350A



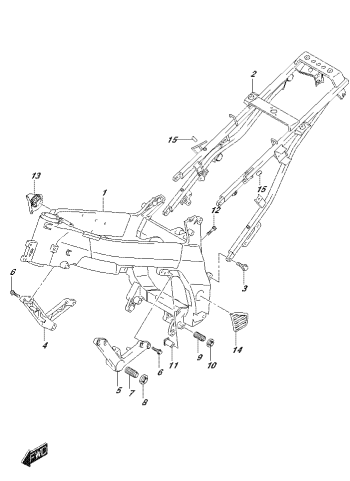
EXIBITALE_EPR_350A
BRONZ/ALUMINIO

FIG.355A



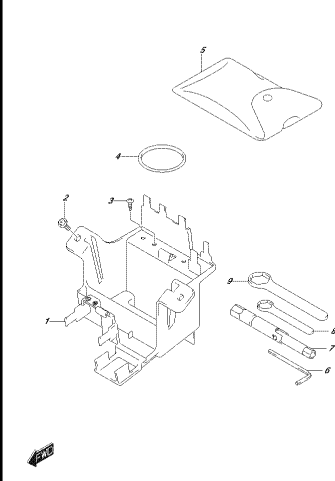
EXIBITALE_EPR_355A
BRONZ/ALUMINIO

FIG.401A



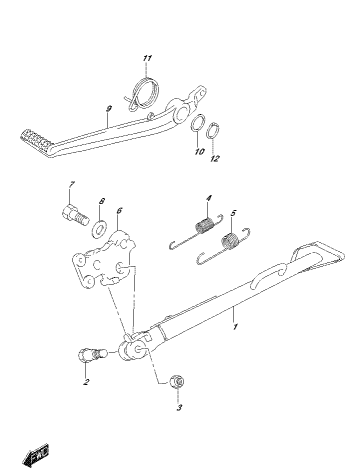
EXIBITALE_EPR_401A
FORNICE

FIG.405A



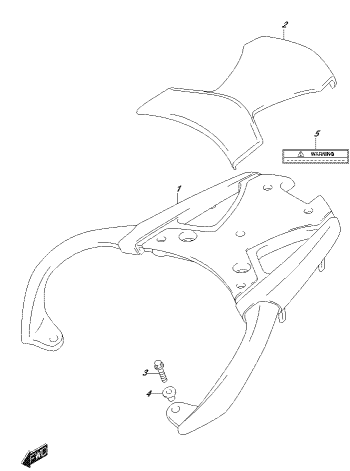
EXIBITALE_EPR_405A
BR/AL/ST/INOX/SS316

FIG.407A



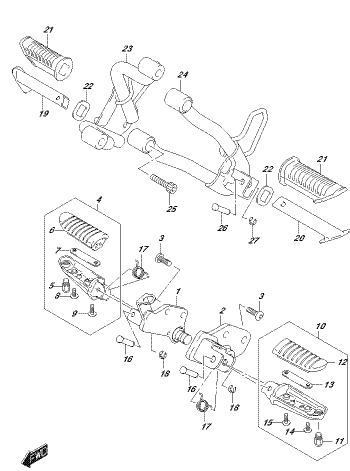
EXIBITALE_EPR_407A
STALIO

FIG.412A



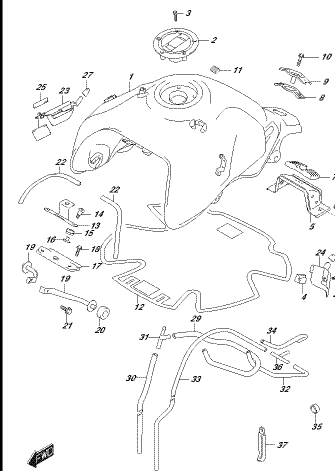
EXIBITALE_EPR_412A
CARRIBRE

FIG.415A



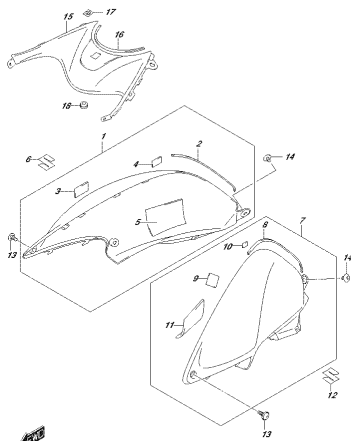
EXIBITALE_EPR_415A
FIDUCIARIST

FIG.420A



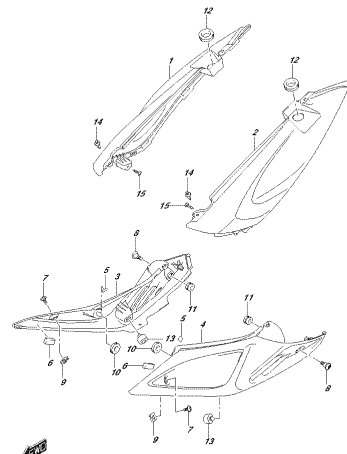
EXIBITALE_EPR_420A
FILEL/TAVNY

FIG.423A



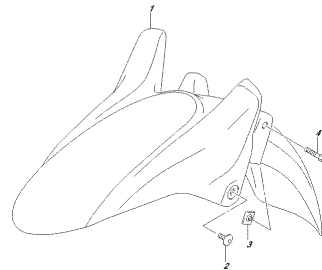
EXB03AL1L_EPR_423A
FILE: 747M CO029

FIG.445A



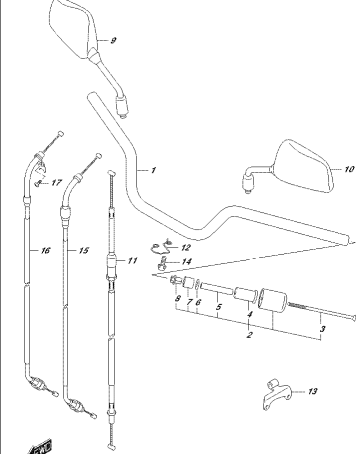
EXB03AL1L_EPR_445A
FORNIE CO029

FIG.460A



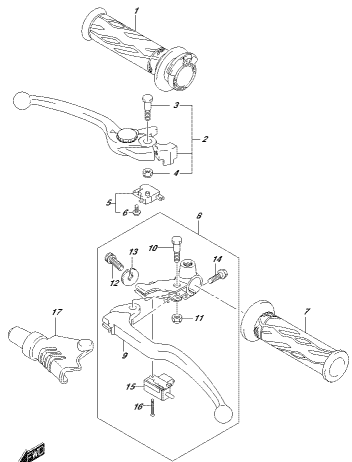
EXB03AL1L_EPR_460A
FRONT FENDER

FIG.462A



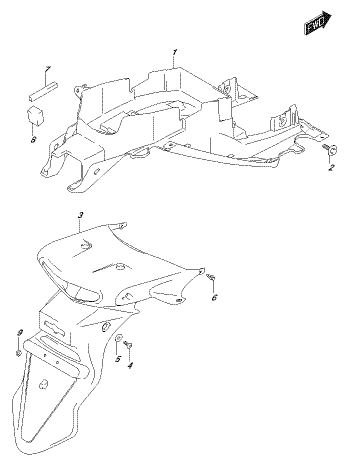
EXB03AL1L_EPR_462A
HANGING LEAF

FIG.467A



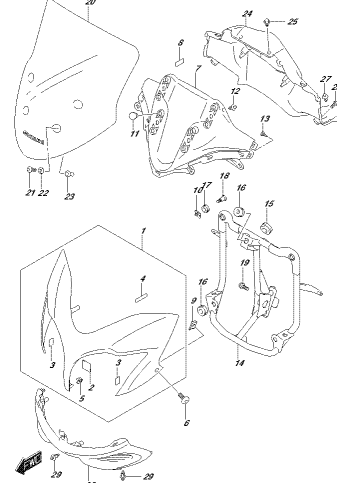
EXB03AL1L_EPR_467A
HANDLE LEVER

FIG.474A



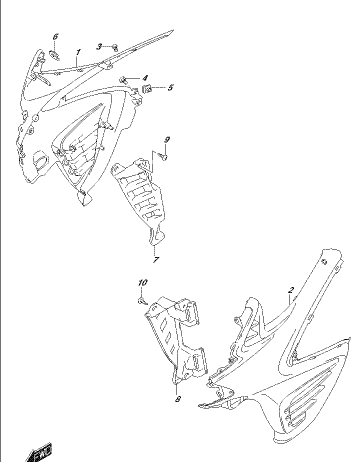
EXB03AL1L_EPR_474A
REAR FENDER

FIG.481A



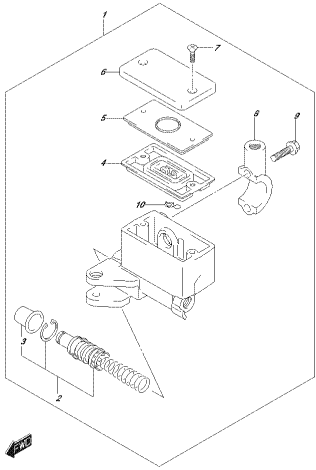
EXB03AL1L_EPR_481A
COWLING BODY

FIG.485A



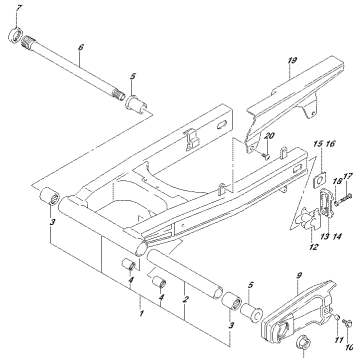
EXB03AL1L_EPR_485A
SIDE COWLING

FIG.537A



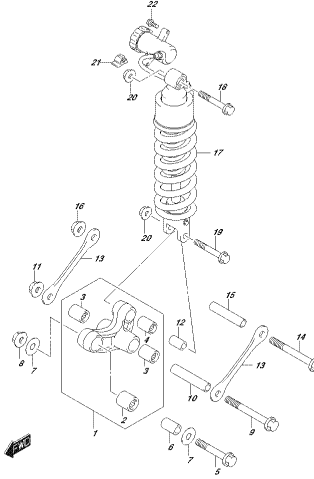
ZL682ALE_EPR_807A
FRONT MASTER CYLINDER

FIG.541A



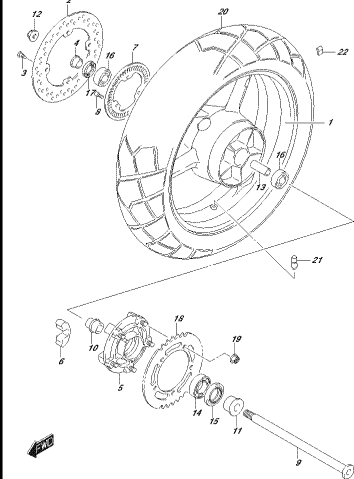
ZL682ALE_EPR_801A
REAR SHOCK ABSORBER

FIG.543A



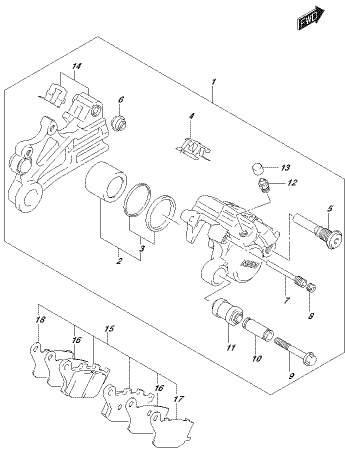
ZL682ALE_EPR_803A
FRONT LOWER LEG SHOCK

FIG.550A



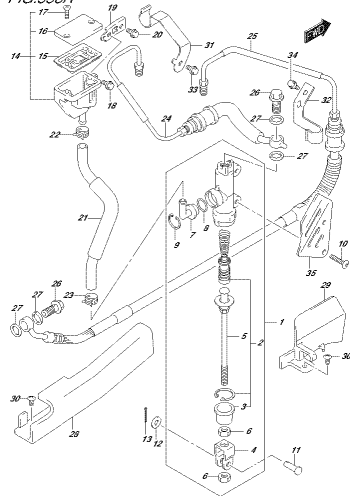
ZL682ALE_EPR_804A
REAR WHEEL

FIG.555A



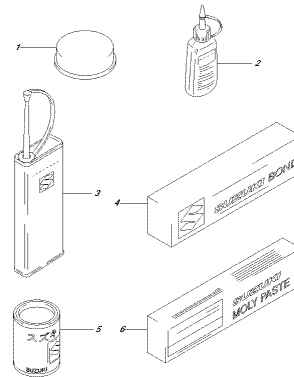
ZL682ALE_EPR_805A
REAR MASTER CYLINDER

FIG.558A



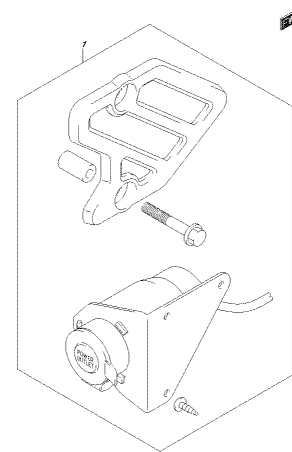
ZL682ALE_EPR_806A
REAR MASTER CYLINDER

FIG.901A



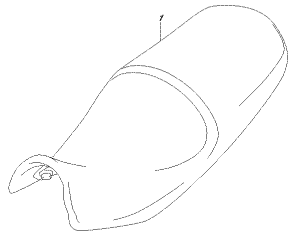
ZL682ALE_EPR_801A
OPTIONAL

FIG.906A



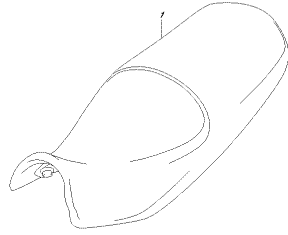
ZL682ALE_EPR_806A
POWER SOURCE TERMINAL SET (OPTIONAL)

FIG.908A



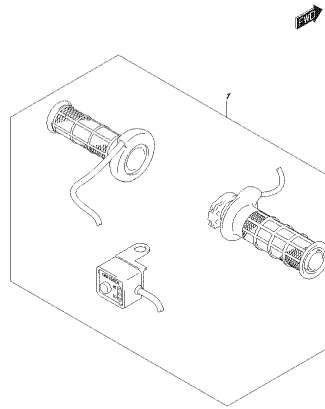
EX.908ALE_EPR_908A
(NO SEAT) (OPTIONAL)

FIG.909A



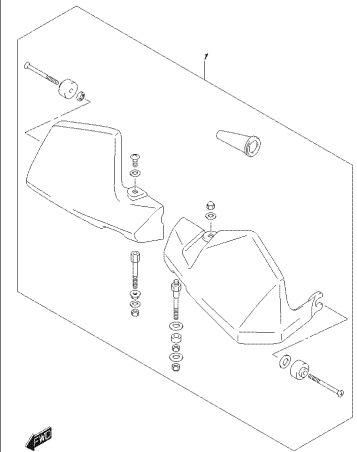
EX.909ALE_EPR_909A
(NO SEAT) (OPTIONAL)

FIG.910A



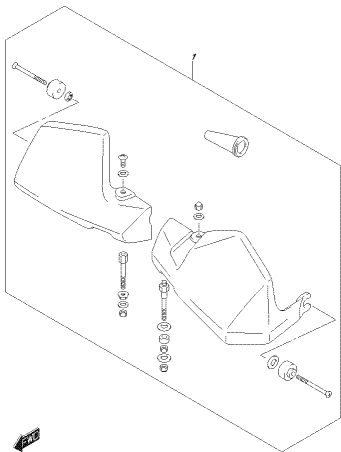
EX.910ALE_EPR_910A
(NO SEAT) (OPTIONAL)

FIG.911A



EX.911ALE_EPR_911A
(NO SEAT) (OPTIONAL)

FIG.912A



EX.912ALE_EPR_912A
(UNDERCOVERING SET) (OPTIONAL)

FIG.101A

FIG.101A (1-B-2) GASKET SET

REF NO.	PART NO.	DESCRIPTION	Q'TY	REMARKS
1	11403-44810	GASKET SET	1	OPT
2	11141-20F00	.GASKET, CYLINDER HEAD	2	NOT ILLUSTRATED
3	11173-19F01	.GASKET, CYLINDER HEAD COVER	2	NOT ILLUSTRATED
4	11241-19F10	.GASKET, CYLINDER FRONT	1	NOT ILLUSTRATED
5	11242-19F00	.GASKET, CYLINDER REAR	1	NOT ILLUSTRATED
6	11482-44H00	.GASKET, CLUTCH COVER	1	NOT ILLUSTRATED
7	11483-19F00	.GASKET, MAGNETO COVER	1	NOT ILLUSTRATED
8	12837-27G00	.GASKET, TENSIONER ADJUSTER	2	NOT ILLUSTRATED
9	14181-22D01	.GASKET, EXHAUST PIPE	2	NOT ILLUSTRATED
10	11191-27E00	.WASHER	4	NOT ILLUSTRATED

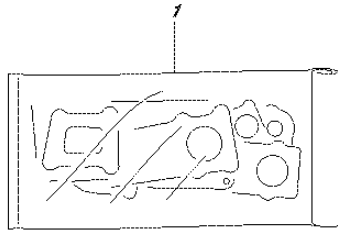
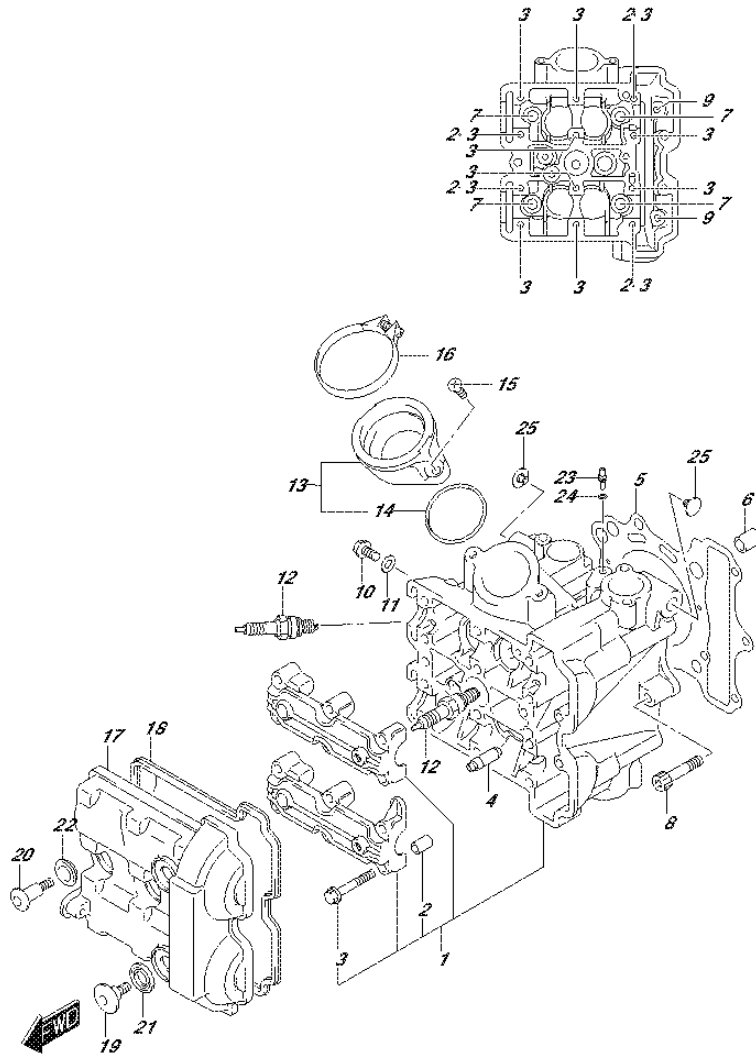


FIG.104A



DL650AL5_E99_104A
CYLINDER HEAD (FRONT)

FIG.104A (1-B-3) CYLINDER HEAD (FRONT)

REF NO.	PART NO.	DESCRIPTION	Q'TY	REMARKS
1	11101-44H00	HEAD ASSY, CYLINDER FRONT	1	
2	09206-08001	.PIN (8X11)	4	
3	09103-06266	.BOLT (6X40)	12	
4	11115-18D72	GUIDE, VALVE (OS:0.3)	4	OPT
5	11141-20F00	GASKET, CYLINDER HEAD	1	
6	04211-13189	PIN	2	
7	11117-44H00	BOLT (10X160)	4	
8	07120-0640A	BOLT	1	
9	09103-06103	BOLT (6X70)	2	
10	09103-06222	BOLT (6X12)	1	
11	09168-06023	GASKET (5.8X13X1.2)	1	
12-1	09482-00556	SPARK PLUG (CR8EIA-9)	2	NGK
12-2	09482-00555	SPARK PLUG (IU24D)	2	DENSO
12-3	09482-00558	SPARK PLUG (CR9EIA-9)	2	OPT NGK
12-4	09482-00557	SPARK PLUG (IU27D)	2	OPT DENSO
12-5	09482-00554	SPARK PLUG (CR7EIA-9)	2	OPT NGK
13	13101-17G10	PIPE ASSY, INTAKE FRONT	1	
14	09280-46006	.O RING (D:2.4,ID:47X42)	1	
15	02122-0616B	SCREW	2	
16	13827-40H01	CLAMP	1	
17	11171-19F20	COVER, CYLINDER HEAD FRONT	1	
18	11173-19F01	GASKET, CYLINDER HEAD COVER	1	
19	09106-07009	BOLT (7X17.5)	2	
20	09106-07010	BOLT (7X31)	1	
21	11191-27E00	WASHER	2	
22	11192-13E00	CUSHION, HEAD COVER BOLT	1	
23	09493-80005	JET(8)	1	
24	09280-04004	O RING (D:1.2,ID:4)	1	
25	11151-27G00	CAP	2	

DL650AL5_E99

FIG.105A

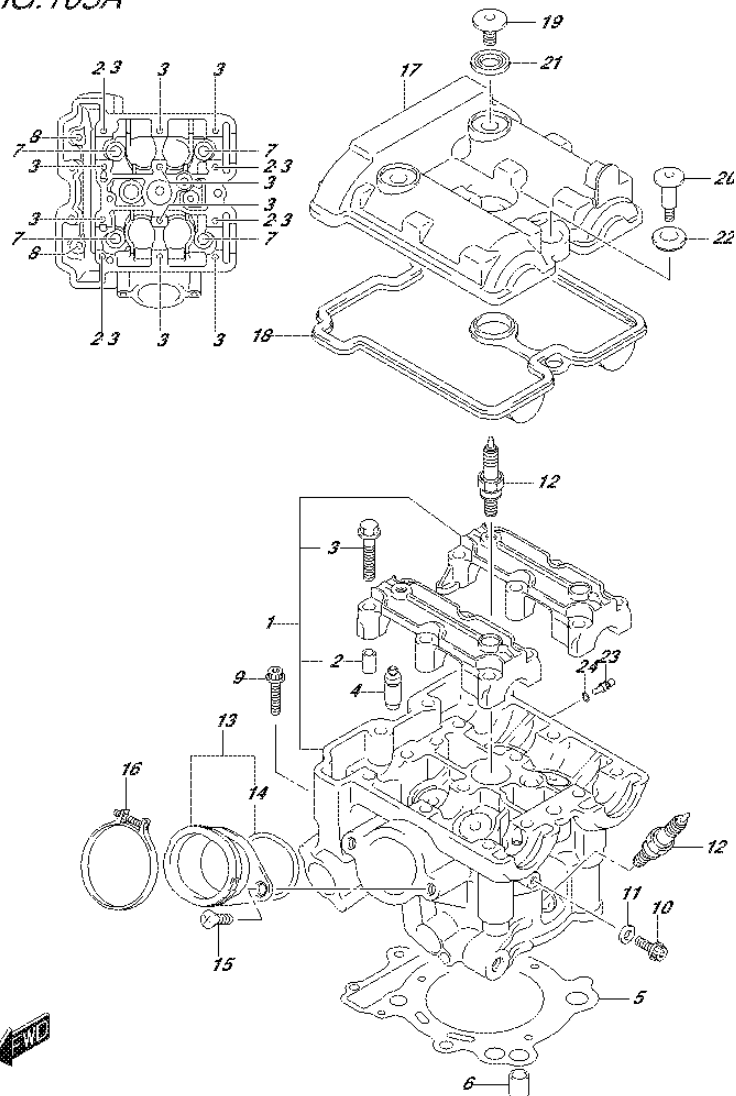


FIG.105A (1-B-4) CYLINDER HEAD (REAR)

REF NO.	PART NO.	DESCRIPTION	Q'TY	REMARKS
1	11103-44H10	HEAD ASSY, CYLINDER REAR	1	
2	09206-08001	.PIN (8X11)	4	
3	09103-06266	.BOLT (6X40)	12	
4	11115-18D72	GUIDE, VALVE (OS:0.3)	4	OPT
5	11141-20F00	GASKET, CYLINDER HEAD	1	
6	04211-13189	PIN	2	
7	11117-44H00	BOLT (10X160)	4	
8	09103-06103	BOLT (6X70)	2	
9	07120-0640A	BOLT	1	
10	09103-06222	BOLT (6X12)	1	
11	09168-06023	GASKET (5.8X13X1.2)	1	
12-1	09482-00556	SPARK PLUG (CR8EIA-9)	2	NGK
12-2	09482-00555	SPARK PLUG (IU24D)	2	DENSO
12-3	09482-00558	SPARK PLUG (CR9EIA-9)	2	OPT NGK
12-4	09482-00557	SPARK PLUG (IU27D)	2	OPT DENSO
12-5	09482-00554	SPARK PLUG (CR7EIA-9)	2	OPT NGK
13	13102-17G10	PIPE ASSY, INTAKE REAR	1	
14	09280-46006	.O RING (D:2.4,ID:47X42)	1	
15	02122-0616B	SCREW	2	
16	13827-40H01	CLAMP	1	
17	11172-19F20	COVER, CYLINDER HEAD REAR	1	
18	11173-19F01	GASKET, CYLINDER HEAD COVER	1	
19	09106-07009	BOLT (7X17.5)	2	
20	09106-07010	BOLT (7X31)	1	
21	11191-27E00	WASHER	2	
22	11192-13E00	CUSHION, HEAD COVER BOLT	1	
23	09493-80005	JET(8)	1	
24	09280-04004	O RING (D:1.2,ID:4)	1	

FIG.107A

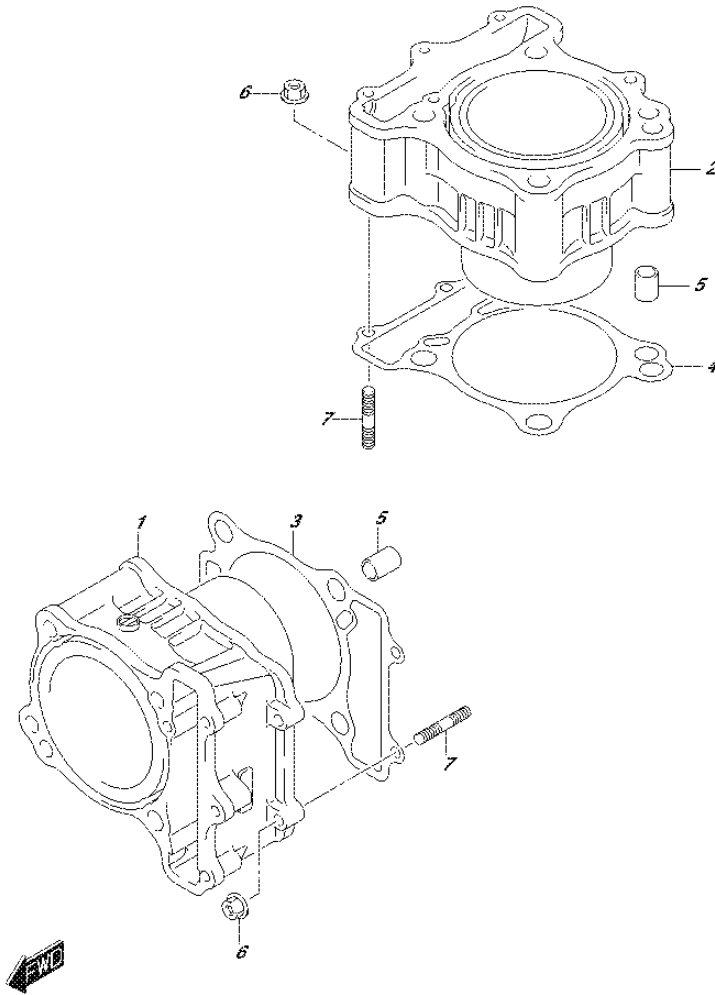
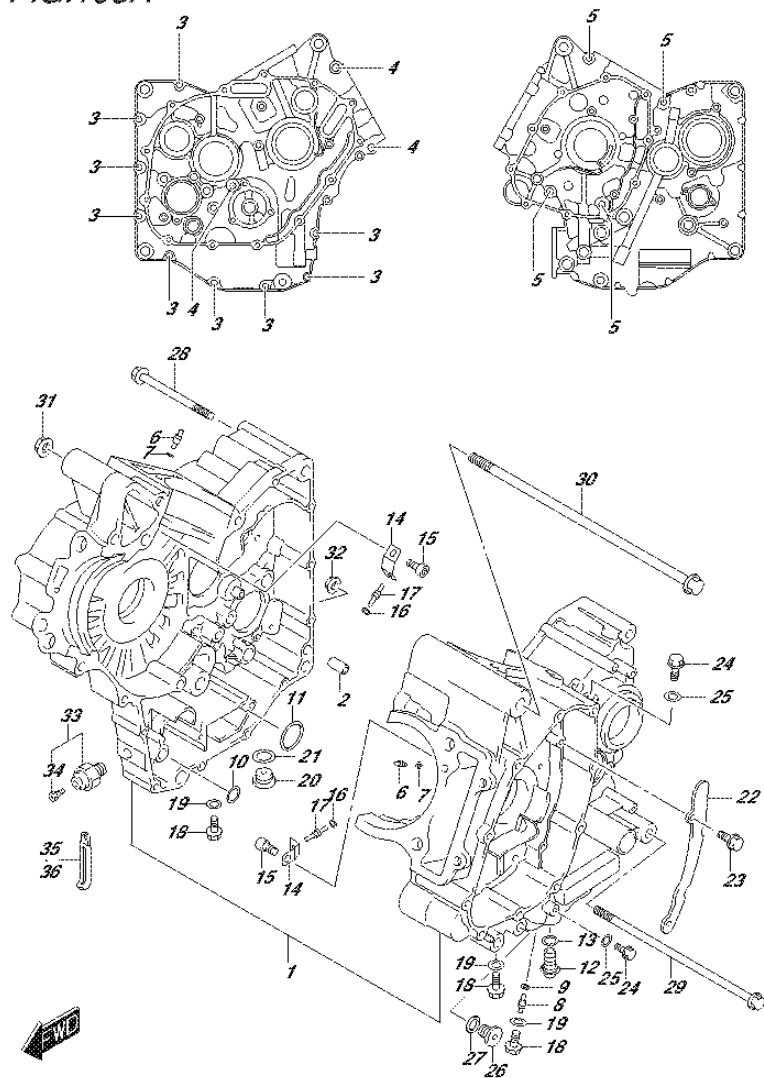


FIG.107A (1-B-5) CYLINDER

REF NO.	PART NO.	DESCRIPTION	Q'TY	REMARKS
1	11211-44H00-0F0	CYLINDER, FRONT	1	
2	11221-44H00-0F0	CYLINDER, REAR	1	
3	11241-19F10	GASKET, CYLINDER FRONT	1	
4	11242-19F00	GASKET, CYLINDER REAR	1	
5	04211-13189	PIN	4	
6	08316-1006B	NUT	4	
7	01421-0625B	STUD BOLT	4	

FIG. 108A



DL650AL5_E99_108A
CRANKCASE

FIG.108A (1-B-6) CRANKCASE

REF NO.	PART NO.	DESCRIPTION	Q'TY	REMARKS
1	11301-27850	CRANKCASE SET	1	
2	09206-11007	.PIN (8.4X11X20)	2	
3	01547-0650A	.BOLT	9	
4	07120-0855A	.BOLT	3	
5	07120-0880A	.BOLT	4	
6	09493-28010	JET AIR(14)	2	
7	09280-04004	O RING (D:1.2,ID:4)	2	
8	09493-36004	JET, OIL GALY	1	
9	09280-04004	O RING (D:1.2,ID:4)	1	
10	09280-12009	O RING (D:1.9,ID:12.6)	1	
11	09280-15007	O RING (D:2.4,ID:15.8)	1	
12	09247-12011	PLUG (12X20)	1	OIL DRAIN
13	09168-12002	GASKET (12.1X16.2X3.7)	1	
14	16438-19F00	PLATE, PISTON COOLING JET	2	
15	09106-06075	BOLT (6X12)	2	
16	09280-04004	O RING (D:1.2,ID:4)	2	
17	09493-26007	JET	2	
18	01550-0812A	BOLT	3	
19	09168-08016	GASKET (8.2X14X1)	3	
20	09248-16012	PLUG (16X8)	1	
21	09168-16002	GASKET (16X22X2)	1	
22	11323-19F00	PLATE, OIL SEPARATOR	1	
23	01547-0612A	BOLT	2	
24	01547-0610A	BOLT	2	
25	09168-06023	GASKET (5.8X13X1.2)	2	
26	09247-12006	PLUG (12X10)	1	
27	09168-12017	GASKET (12X17X1)	1	
28	09103-10205	BOLT (10X225)	1	
29	09103-10347	BOLT (10X275)	1	
30	09103-12054	BOLT (12X310)	1	
31	09159-12054	NUT	1	
32	08319-3110A	NUT	1	

DL650AL5_E99

FIG.108A

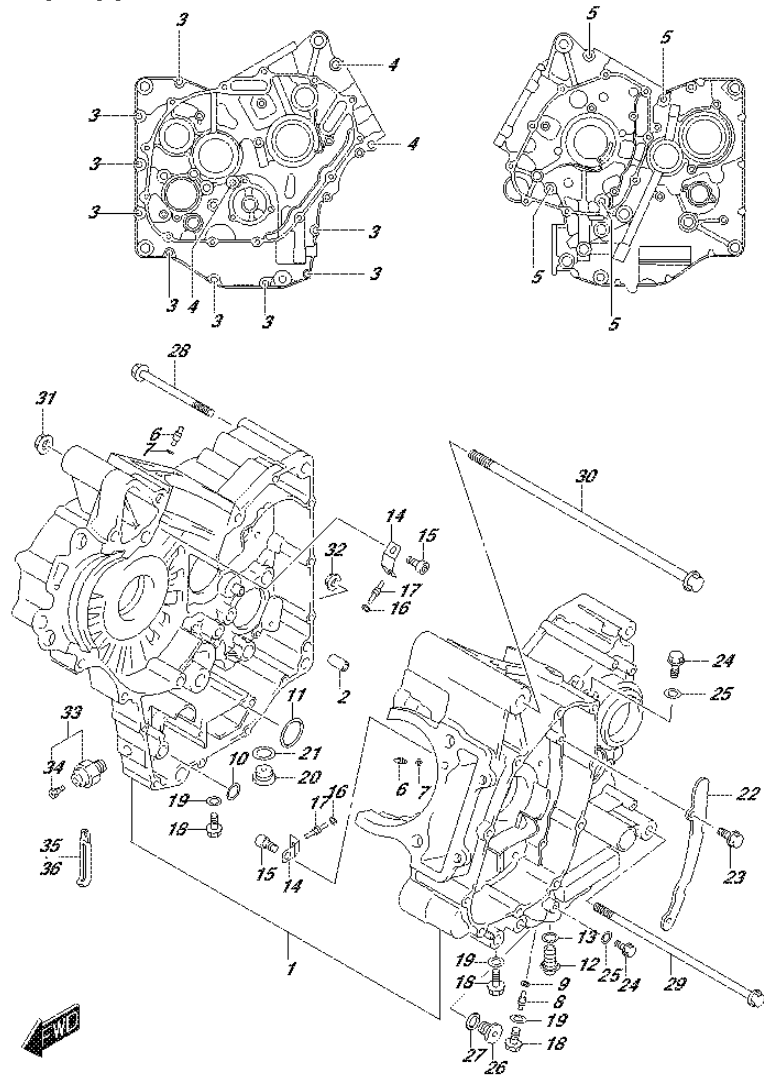


FIG.108A (1-B-7) CRANKCASE

REF NO.	PART NO.	DESCRIPTION	Q'TY	REMARKS
33	37820-33D10	SWITCH ASSY, OIL PRESSURE	1	
34	37822-33D00	.BOLT, OIL PRESSURE SWITCH	1	
35	09404-06429	CLAMP (L:45)	1	
36	09404-06433	CLAMP (L:80)	1	

FIG.112A

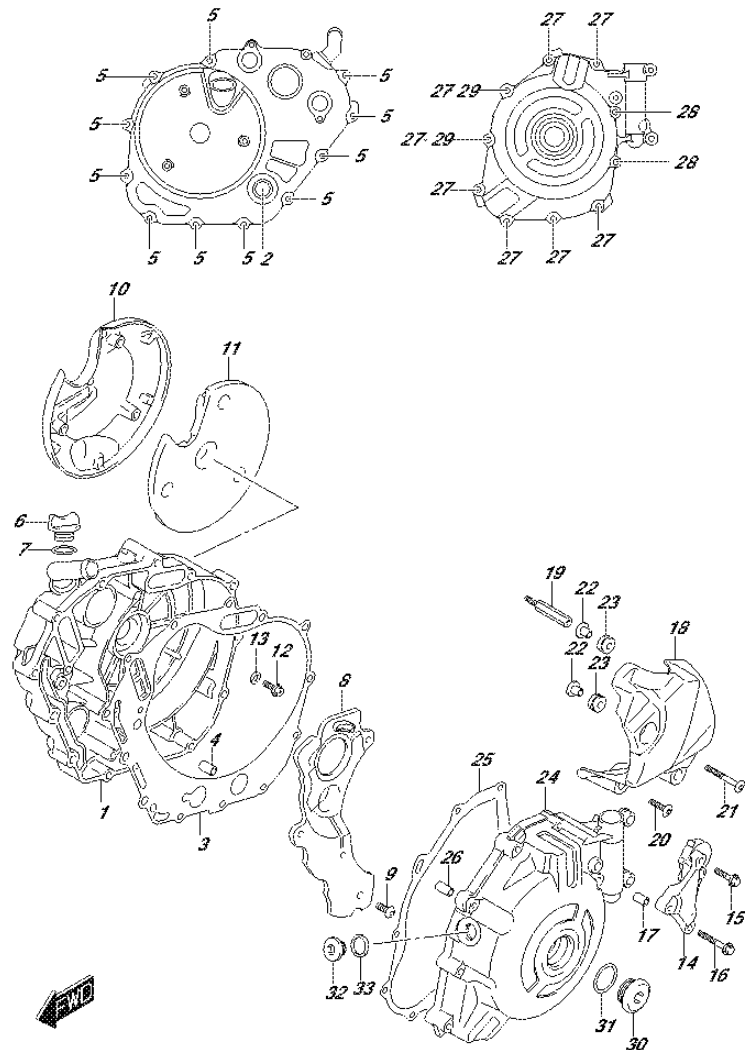


FIG.112A (1-B-8) CRANKCASE COVER

REF NO.	PART NO.	DESCRIPTION	Q'TY	REMARKS
1	11340-44H10	COVER, CLUTCH	1	
2	11971-33210	.LENS, OIL LEVEL CHECK	1	
3	11482-44H00	GASKET, CLUTCH COVER	1	
4	04211-09149	PIN	2	
5	09103-06214	BOLT (6X35)	11	
6	11971-25D00	PLUG, OIL FILLER	1	
7	09280-17003	O RING (D:3.1,ID:16.8)	1	
8	11343-44H00	SEPARATOR, OIL	1	
9	09106-06098	BOLT (6X12)	4	
10	11342-11J00	COVER, CLUTCH OUTER	1	
11	11344-11J00	DAMPER	1	
12	09103-06174	BOLT (6X16)	3	
13	09168-06023	GASKET (5.8X13X1.2)	3	
14	11361-44H00	COVER, ENGINE SPROCKET INNER	1	
15	01547-0620A	BOLT	1	
16	01547-0635A	BOLT	1	
17	04211-09129	PIN	2	
18	11371-11J00	COVER, ENGINE SPROCKET OUTER	1	
19	11372-22H00	BOLT	2	
20	09139-06028	SCREW (6X20)	2	
21	09139-06105	SCREW (6X40)	1	
22	09169-06062	WASHER	3	
23	09320-09016	CUSHION	3	
24	11351-44H00	COVER, MAGNETO	1	
25	11483-19F00	GASKET, MAGNETO COVER	1	
26	04211-09149	PIN	2	
27	09103-06214	BOLT (6X35)	8	
28	09103-06239	BOLT (6X65)	2	
29	09168-06023	GASKET (5.8X13X1.2)	2	
30	09259-26011	PLUG (26X9)	1	
31	09280-22008	O RING (D:3.1,ID:22.7)	1	
32	09248-16012	PLUG (16X8)	1	
33	09168-16002	GASKET (16X22X2)	1	

FIG. 120A

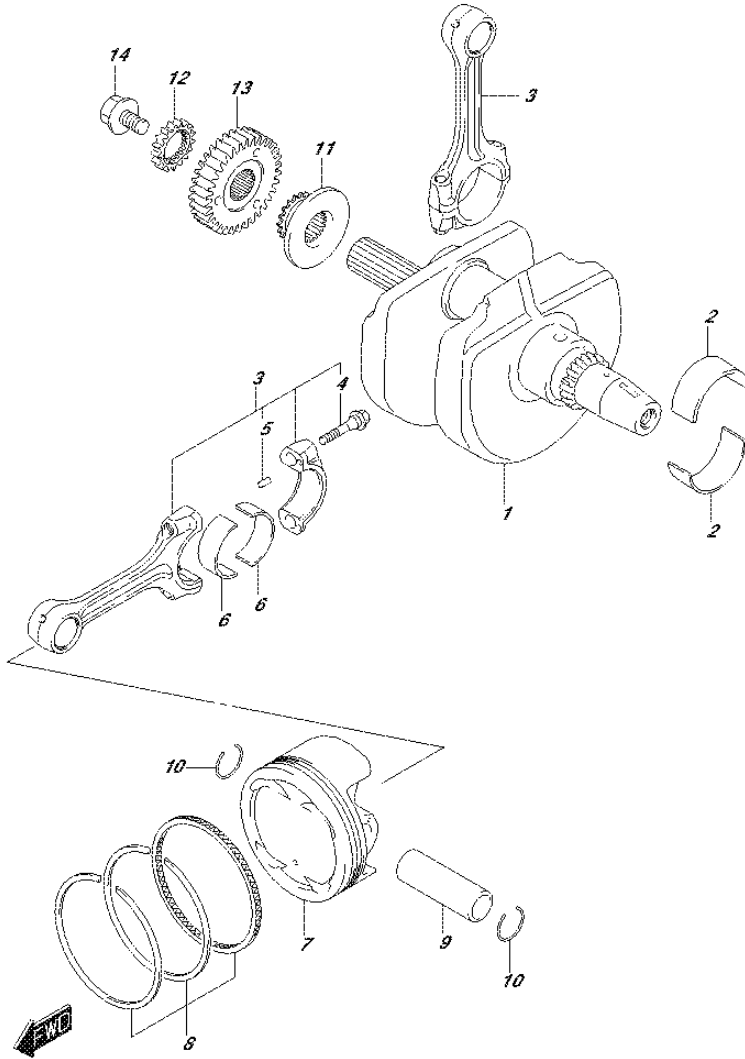


FIG.120A (1-B-9) CRANKSHAFT

REF NO.	PART NO.	DESCRIPTION	Q'TY	REMARKS
1	12220-44H10	CRANKSHAFT	1	
2-1	12229-44H00-0A0	BEARING, CRANKSHAFT (GREEN)	4	
2-2	12229-44H00-0B0	BEARING, CRANKSHAFT (BLACK)	4	
2-3	12229-44H00-0C0	BEARING, CRANKSHAFT (BROWN)	4	
3	12160-17G10	CONNECTING ROD ASSY	2	
4	12163-24F10	.BOLT, CONNECTING ROD	4	
5	04221-04089	.PIN	4	
6-1	12164-46E01-0A0	BEARING, CRANK PIN (GREEN)	4	
6-2	12164-46E01-0B0	BEARING, CRANK PIN (BLACK)	4	
6-3	12164-46E01-0C0	BEARING, CRANK PIN (BROWN)	4	
6-4	12164-46E01-0D0	BEARING, CRANK PIN (YELLOW)	4	
7	12111-44H20-0F0	PISTON	2	
8	12140-15H10	RING SET, PISTON	2	
9	12151-05A00	PIN, PISTON	2	
10	09381-20004	SNAP RING	4	
11	12731-19F00	SPROCKET, CAM CHAIN DRIVE	1	
		(NT:18)		
12	17451-17G00	GEAR, WATER PUMP DRIVE (NT:17)	1	
13	21100-44H00	GEAR, PRIMARY DRIVE (NT:34)	1	
14	09103-10338	BOLT (10X19)	1	

FIG. 122A

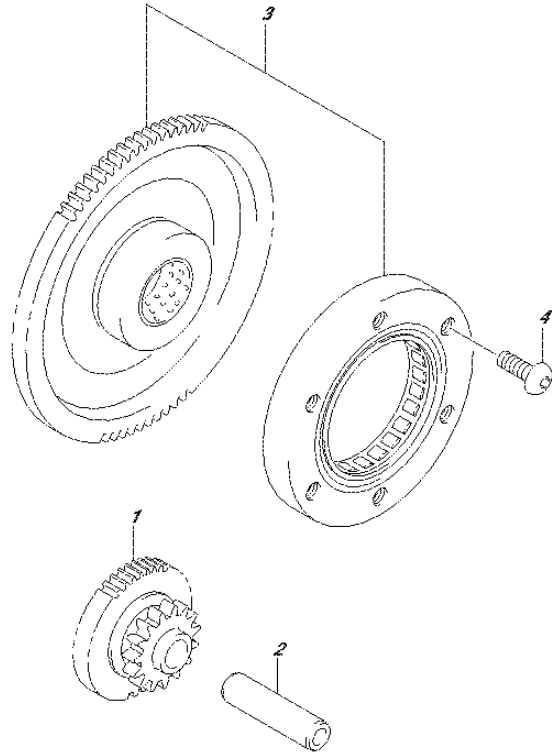


FIG.122A (1-B-10) STARTER CLUTCH

REF NO.	PART NO.	DESCRIPTION	Q'TY	REMARKS
1	12611-27G00	GEAR, STARTER IDLE (NT:15/53)	1	
2	09206-12006	PIN (8X12X45.5)	1	
3	12600-06821	CLUTCH SET, STARTER (NT:70)	1	
4	09139-08023	SCREW (8X16)	6	



FIG. 126A

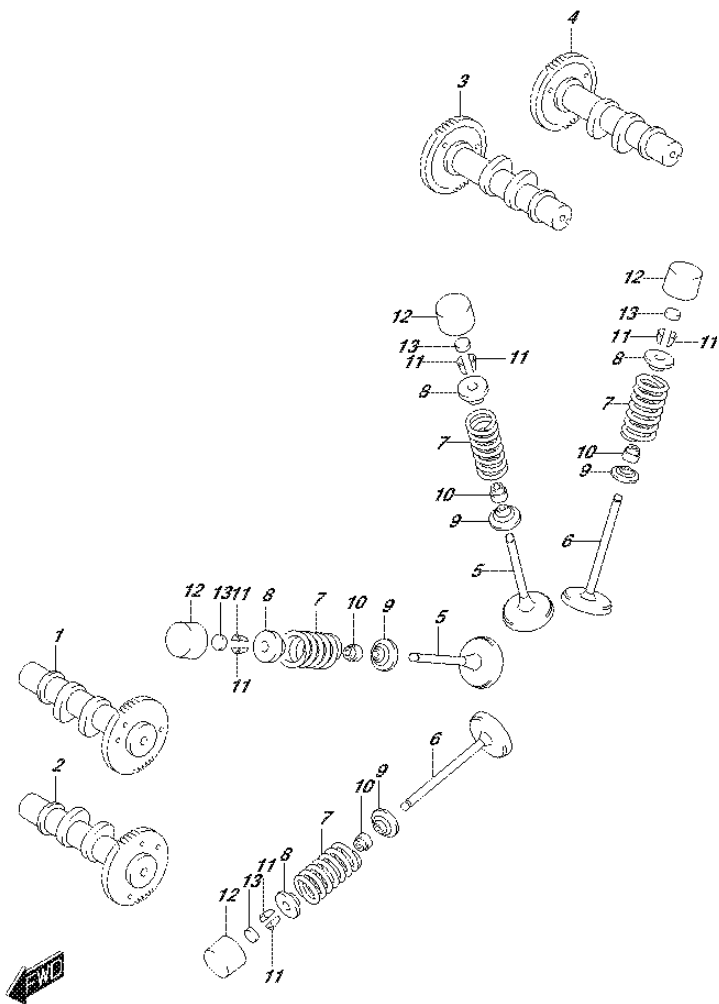


FIG.126A (1-B-11) CAMSHAFT/VALVE

REF NO.	PART NO.	DESCRIPTION	Q'TY	REMARKS
1	12710-11J00	CAMSHAFT, INTAKE FRONT (NT:36)	1	
2	12720-20F00	CAMSHAFT, EXHAUST FRONT (NT:36)	1	
3	12730-11J00	CAMSHAFT, INTAKE REAR (NT:36)	1	
4	12740-20F00	CAMSHAFT, EXHAUST REAR (NT:36)	1	
5	12911-18H00	VALVE, INTAKE	4	
6	12912-20F00	VALVE, EXHAUST	4	
7	12921-44H00	SPRING, VALVE	8	
8	12931-17E01	RETAINER, VALVE SPRING	8	
9	12933-17E00	SEAT, VALVE SPRING	8	
10	09289-04002	OIL SEAL (4.5X10X8)	8	
11	12932-32C00	COTTER, VALVE	16	
12	12891-17E00	TAPPET	8	
13-1	12892-05C00-120	SHIM, TAPPET (T:1.20)	8	
13-2	12892-05C00-125	SHIM, TAPPET (T:1.25)	8	
13-3	12892-05C00-130	SHIM, TAPPET (T:1.30)	8	
13-4	12892-05C00-135	SHIM, TAPPET (T:1.35)	8	
13-5	12892-05C00-140	SHIM, TAPPET (T:1.40)	8	
13-6	12892-05C00-145	SHIM, TAPPET (T:1.45)	8	
13-7	12892-05C00-150	SHIM, TAPPET (T:1.50)	8	
13-8	12892-05C00-155	SHIM, TAPPET (T:1.55)	8	
13-9	12892-05C00-160	SHIM, TAPPET (T:1.60)	8	
13-10	12892-05C00-165	SHIM, TAPPET (T:1.65)	8	
13-11	12892-05C00-170	SHIM, TAPPET (T:1.70)	8	
13-12	12892-05C00-175	SHIM, TAPPET (T:1.75)	8	
13-13	12892-05C00-180	SHIM, TAPPET (T:1.80)	8	
13-14	12892-05C00-185	SHIM, TAPPET (T:1.85)	8	
13-15	12892-05C00-190	SHIM, TAPPET (T:1.90)	8	
13-16	12892-05C00-195	SHIM, TAPPET (T:1.95)	8	
13-17	12892-05C00-200	SHIM, TAPPET (T:2.00)	8	
13-18	12892-05C00-205	SHIM, TAPPET (T:2.05)	8	
13-19	12892-05C00-210	SHIM, TAPPET (T:2.10)	8	
13-20	12892-05C00-215	SHIM, TAPPET (T:2.15)	8	
13-21	12892-05C00-220	SHIM, TAPPET (T:2.20)	8	

FIG.126A

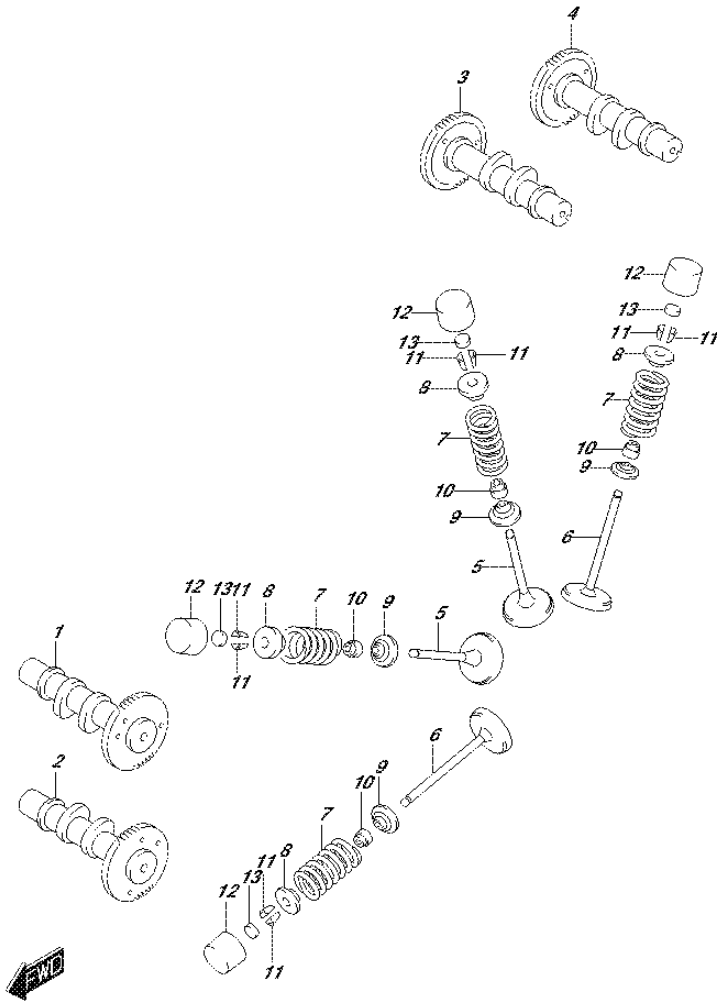


FIG.126A (1-B-12) CAMSHAFT/VALVE

REF NO.	PART NO.	DESCRIPTION	Q'TY	REMARKS
14	12800-05830	SHIM SET, TAPPET T:1.20, 1.25..2.15, 2.20 (5PCS.EACH) & CASE	1	OPT NOT ILLUSTRATED
15	99000-69491	.CASE, TAPPET SHIM	1	OPT NOT ILLUSTRATED

FIG.127A

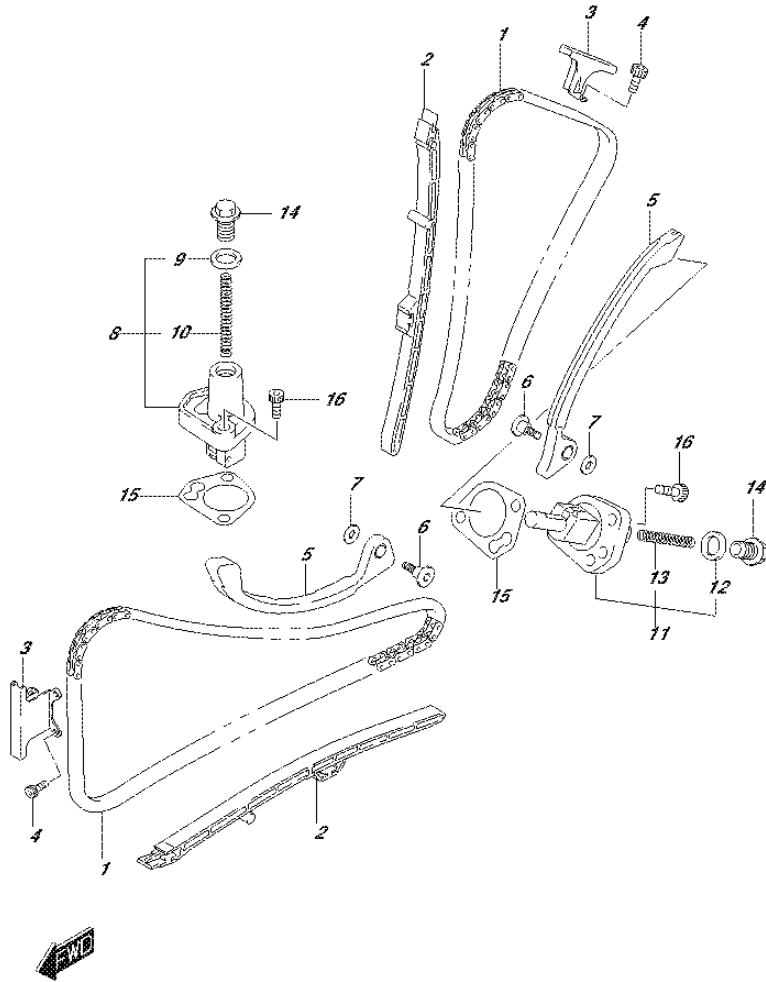


FIG.127A (1-B-13) CAM CHAIN

REF NO.	PART NO.	DESCRIPTION	Q'TY	REMARKS
1	12760-19F01	CHAIN, CAM SHAFT DRIVE	2	
2	12771-44H00	GUIDE, CAM CHAIN NO.1	2	
3	12782-19F00	GUIDE, CAM CHAIN NO.2	2	
4	07130-0612A	BOLT	6	
5	12811-17G00	TENSIONER, CAM CHAIN	2	
6	12812-35C00	BOLT, CAM CHAIN TENSIONER	2	
7	08211-06181	WASHER	2	
8	12830-27G00	ADJUSTER ASSY, TENSIONER FRONT	1	
9	12837-24F10	.GASKET, TENSIONER ADJUSTER	1	
10	12831-39F00	.SPRING	1	
11	12830-27G10	ADJUSTER ASSY, TENSIONER REAR	1	
12	12837-24F10	.GASKET, TENSIONER ADJUSTER	1	
13	12831-39F00	.SPRING	1	
14	12833-17G00	PLUG, TENSIONER ADJUSTER	2	
15	12837-27G00	GASKET, TENSIONER ADJUSTER	2	
16	07130-0625A	BOLT	4	

FIG.140A

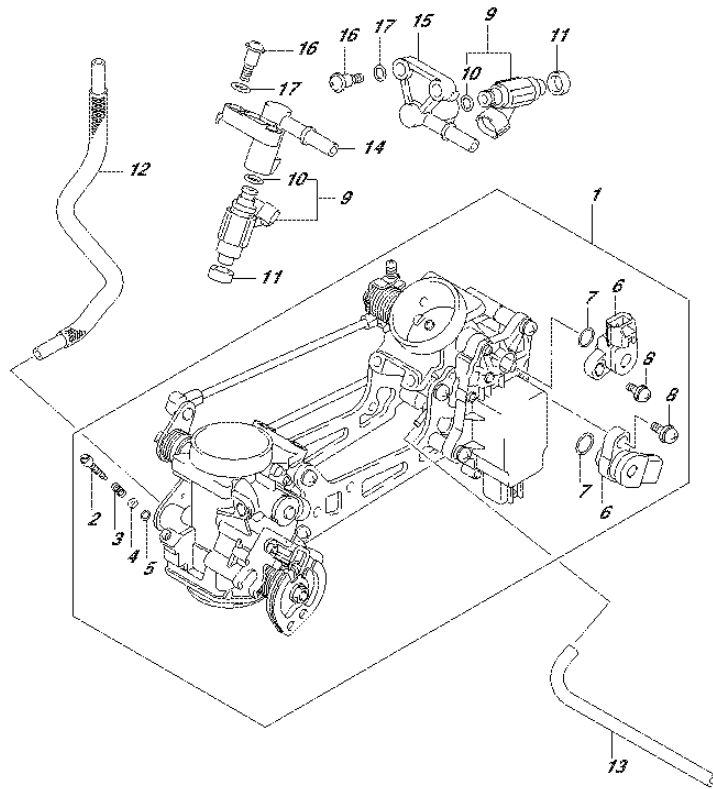


FIG.140A (1-B-14) THROTTLE BODY

REF NO.	PART NO.	DESCRIPTION	Q'TY	REMARKS
1	13405-11J00	THROTTLE BODY	1	
2	13269-33E00	.SCREW	2	
3	13268-48700	.SPRING, THROTTLE SCREW	2	
4	13606-47A00	.WASHER	2	
5	13295-29900	.O RING	2	
6	13580-27G21	.SENSOR ASSY	2	
7	13575-29G00	.O RING	2	
8	13605-02F00	.SCREW	2	
9	15710-44H00	INJECTOR ASSY	2	
10	15717-58B00	.O RING	2	
11	15722-29G00	SEAL	2	
12	13683-44H00	HOSE	1	
13	13683-44H10	HOSE	1	
14	15731-11J00	DELIVERY PIPE	1	
15	15732-11J00	DELIVERY PIPE	1	
16	13601-11J00	SCREW, DELIVERY PIPE	4	
17	13602-29G00	PACKING	4	

FIG.155A

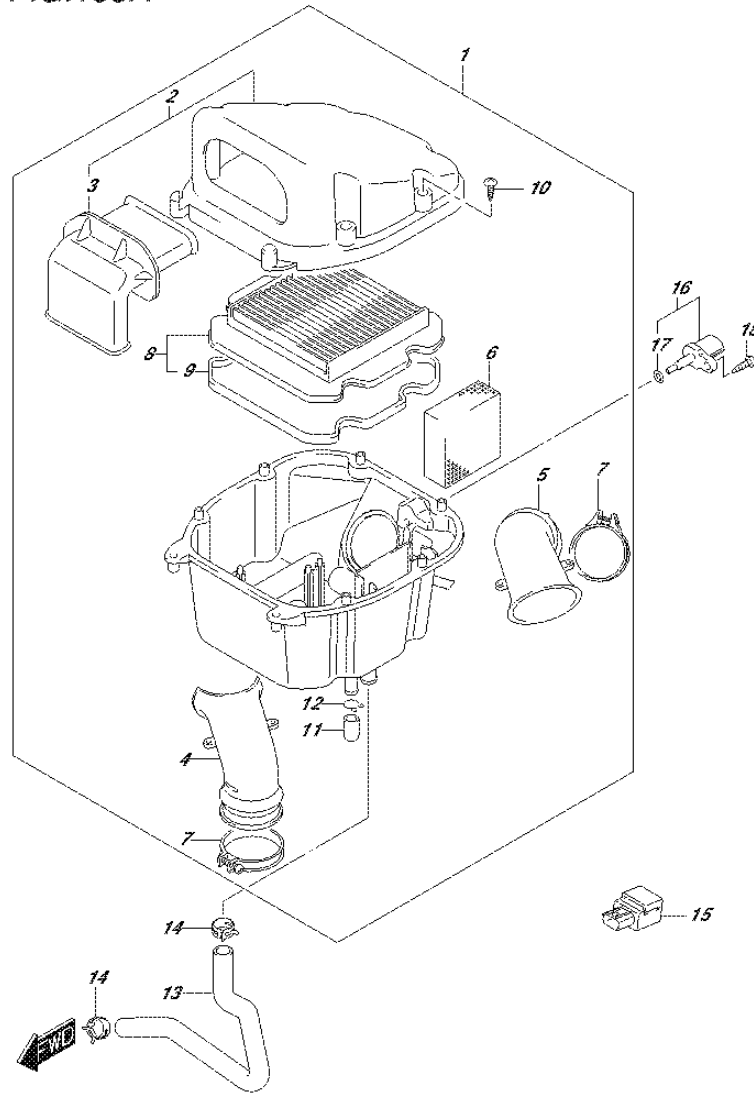


FIG.155A (1-B-15) AIR CLEANER

REF NO.	PART NO.	DESCRIPTION	Q'TY	REMARKS
1	13700-11J01	CLEANER ASSY, AIR	1	
2	13740-11J01	.CLEANER ASSY, AIR	1	
3	13891-27G01	.TUBE, INLET	1	
4	13881-27G10	.TUBE, OUTLET	1	
5	13882-27G10	.TUBE, OUTLET	1	
6	13788-11J00	.FILTER, BREATHER	1	
7	13826-44H01	.CLAMP, OUTLET TUBE REAR	2	
8	13780-27G10	.FILTER, AIR CLEANER	1	
9	13746-06G00	.GASKET	1	
10	03141-0516A	.SCREW	8	
11	13878-10G00	.PLUG, DRAIN	1	
12	09401-14301	.CLIP	1	
13	13850-11J00	TUBE, BREATHER CRANKCASE	1	
14	09401-20405	CLIP	2	
15	18590-32G00	SENSOR, PRESSURE	2	
16	13650-41F10	SENSOR AIR TEMP	1	
17	13655-41F10	.O RING	1	
18	03511-0516A	SCREW	1	

FIG.163A

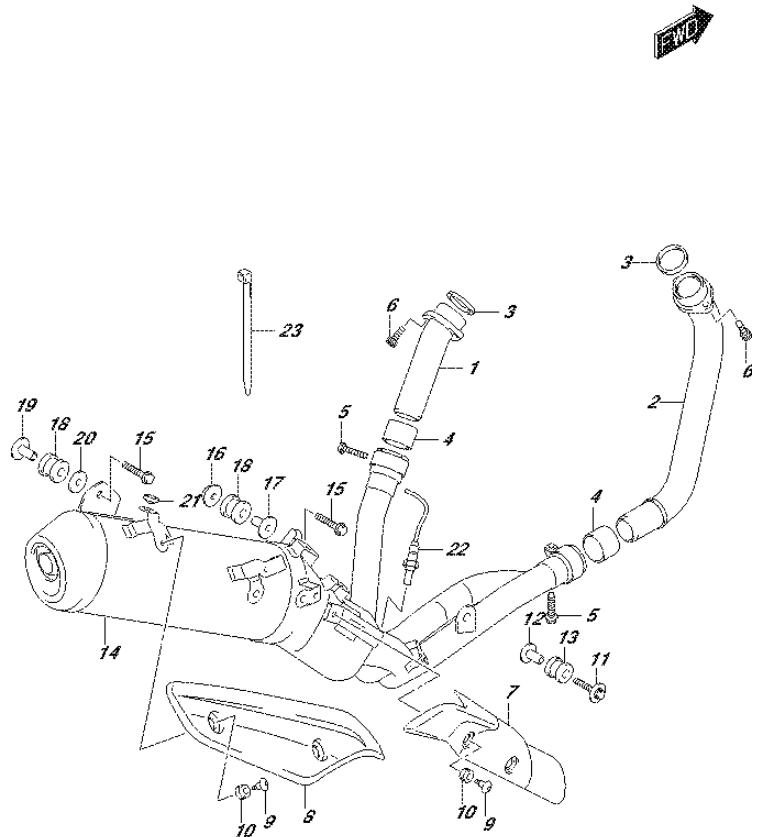


FIG.163A (1-C-2) MUFFLER

REF NO.	PART NO.	DESCRIPTION	Q'TY	REMARKS
1	14150-27G10	PIPE, EXHAUST REAR	1	
2	14160-17G10	PIPE, EXHAUST FRONT	1	
3	14181-22D01	GASKET, EXHAUST PIPE	2	
4	14771-32E10	CONNECTOR, MUFFLER	2	
5	09103-08365	BOLT (8X35)	2	
6	09106-08165	BOLT (8X25)	4	
7	14771-11J00	COVER, MUFFLER FRONT	1	
8	14781-11J00-YUS	COVER, MUFFLER (SILVER)	1	
9	09139-06126	SCREW (6X20)	5	
10	09320-08070	CUSHION	5	
11	09118-08152-A05	BOLT (8X45)	1	
12	09180-08152	SPACER (8.6X12X24.2)	1	
13	09320-12048	CUSHION	1	
14	14305-11J00	MUFFLER	1	
15	09103-08358	BOLT (8X45)	2	
16	14414-27G00	NUT, MUFFLER SPRT	1	
17	09180-08156	SPACER (8.6X12X27.1)	1	
18	09320-12049	CUSHION	2	
19	14414-06G00	NUT, MUFFLER SPRT	1	
20	09160-08146	WASHER (8.5X33X1.5)	1	
21	09321-10018	CUSHION	5	
22	18213-17G10	SENSOR, OXYGEN	1	
23	09407-14407	CLAMP (L:145)	1	

FIG.170A

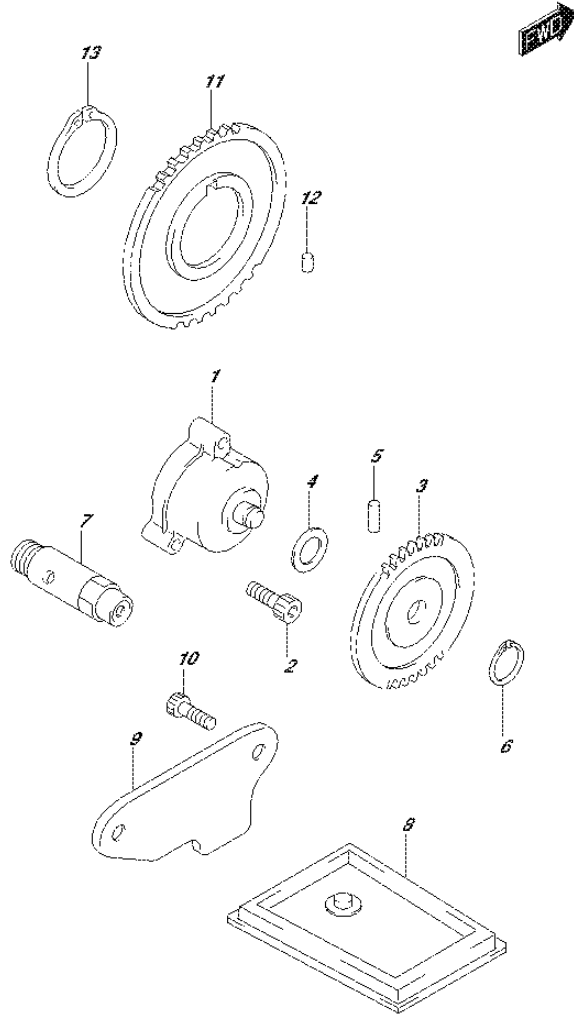


FIG.170A (1-C-3) OIL PUMP

REF NO.	PART NO.	DESCRIPTION	Q'TY	REMARKS
1	16400-20F00	PUMP ASSY, ENGINE OIL	1	
2	07130-0625A	BOLT	3	
3	16331-19F00	GEAR, ENG OIL PUMP DRIVEN (NT:34)	1	
4	09181-10158	SHIM (10X18X0.5)	1	
5	09261-04001	PIN (4X18.5)	1	
6	08331-31109	CIRCLIP	1	
7	16440-17C20	VALVE ASSY, OIL RELIEF	1	
8	16520-32E00	STRAINER, ENGINE OIL	1	
9	16523-17G00	CAP, OIL STRAINER	1	
10	07130-0612A	BOLT	2	
11	16321-19F00	GEAR, ENGINE OIL PUMP DRIVE (NT:45)	1	
12	09261-06002	PIN (6X6)	1	
13	08331-31383	CIRCLIP	1	

FIG.172A

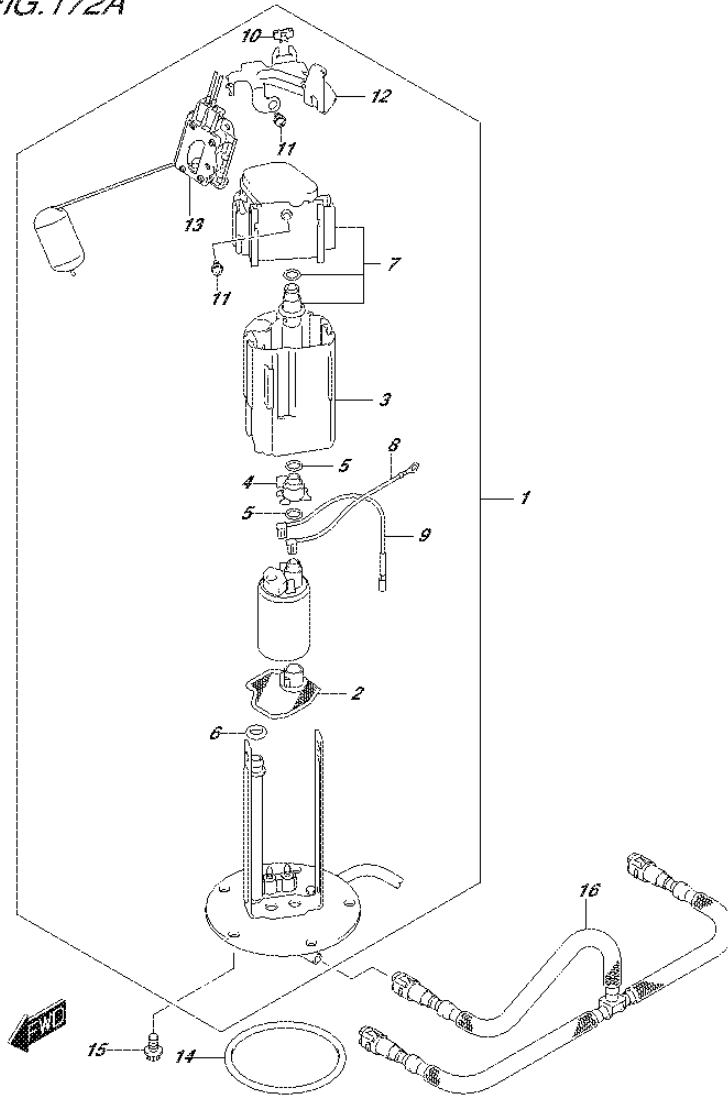


FIG.172A (1-C-4) FUEL PUMP

REF NO.	PART NO.	DESCRIPTION	Q'TY	REMARKS
1	15100-11J00	PUMP ASSY, FUEL	1	
2	15420-05H00	.STRAINER	1	
3	15111-27G00	.CUP, RESERVOIR	1	
4	15112-05H00	.JOINT	1	
5	15113-05H00	.O RING	2	
6	15113-35F00	.O RING	1	
7	15610-14J00	.REGULATOR	1	
8	15114-14J00	.WIPE, EARTH	1	
9	15115-14J00	.WIRE, LEAD	1	
10	15119-08J00	.SADDLE, EDGE	1	
11	15116-10F00	.SCREW	3	
12	15181-11J00	.BRACKET, FUEL GAUGE	1	
13	34810-11J00	.GAUGE ASSY	1	
14	15201-35F00	O RING, FUEL PUMP	1	
15	07120-0612A	BOLT	5	
16	15810-11J10	HOSE, FUEL	1	

FIG.178A

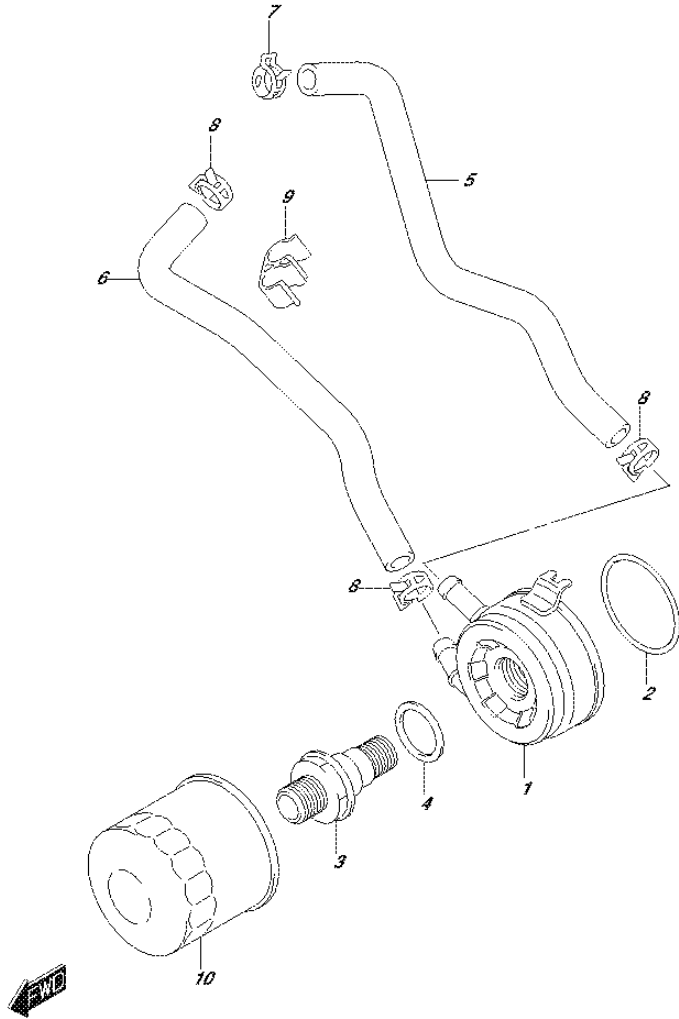


FIG.178A (1-C-5) OIL COOLER

REF NO.	PART NO.	DESCRIPTION	Q'TY	REMARKS
1	16600-44H00	COOLER ASSY, OIL	1	
2	09280-55002	O RING (D:3.1,ID:54.5)	1	
3	16591-02F00	BOLT, UNION	1	
4	09181-25160	SHIM (25X34X0.7)	1	
5	16461-44H00	HOSE, INLET	1	
6	16471-44H00	HOSE, OUTLET	1	
7	09401-16407	CLIP	1	
8	09401-16409	CLIP	3	
9	09408-00267	CLAMP	1	
10	16510-07J00	FILTER ASSY, ENGINE OIL	1	

FIG. 180A

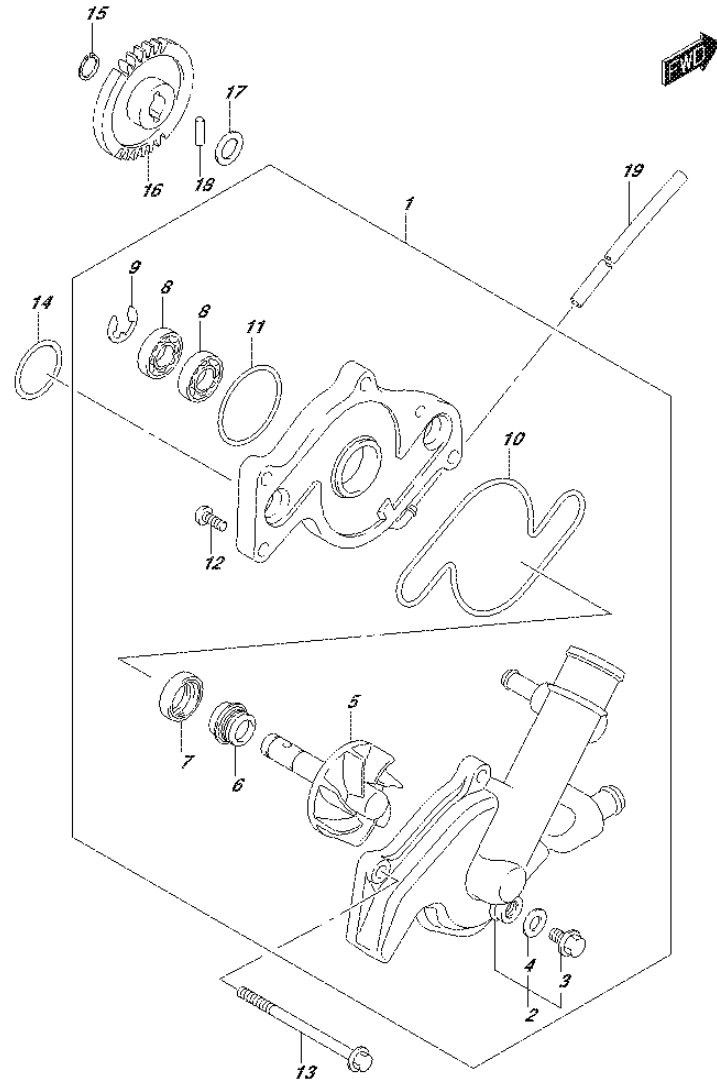


FIG.180A (1-C-6) WATER PUMP

REF NO.	PART NO.	DESCRIPTION	Q'TY	REMARKS
1	17400-44H00	PUMP ASSY, WATER	1	
2	17411-44H00	.CASE, WATER PUMP	1	
3	17415-20920	..BOLT	1	
4	09168-08016	..GASKET (8.2X14X1)	1	
5	17491-19F40	.IMPELLER/SHAFT	1	
6	17470-02F10	.SEAL, MECHANICAL	1	
7	17461-48G00	.OIL SEAL (10X21X5)	1	
8	09262-10014	.BEARING (10X26X8)	2	
9	08332-1108A	.E RING	1	
10	17418-19F00	.O RING	1	
11	17435-33400	.O RING	1	
12	02112-0510A	.SCREW	2	
13	09103-06225	BOLT (6X70)	3	
14	09280-22001	O RING (D:2.4,ID:21.8)	2	
15	08331-31109	CIRCLIP	1	
16	17461-44H00	GEAR, WATER PUMP DRIVEN (NT:34)	1	
17	09181-10158	SHIM (10X18X0.5)	1	
18	09261-04002	ROLLER (4X13.8)	1	
19	09352-35653-600	HOSE (3.5X6.5X600)	1	L:600->320

FIG.185A

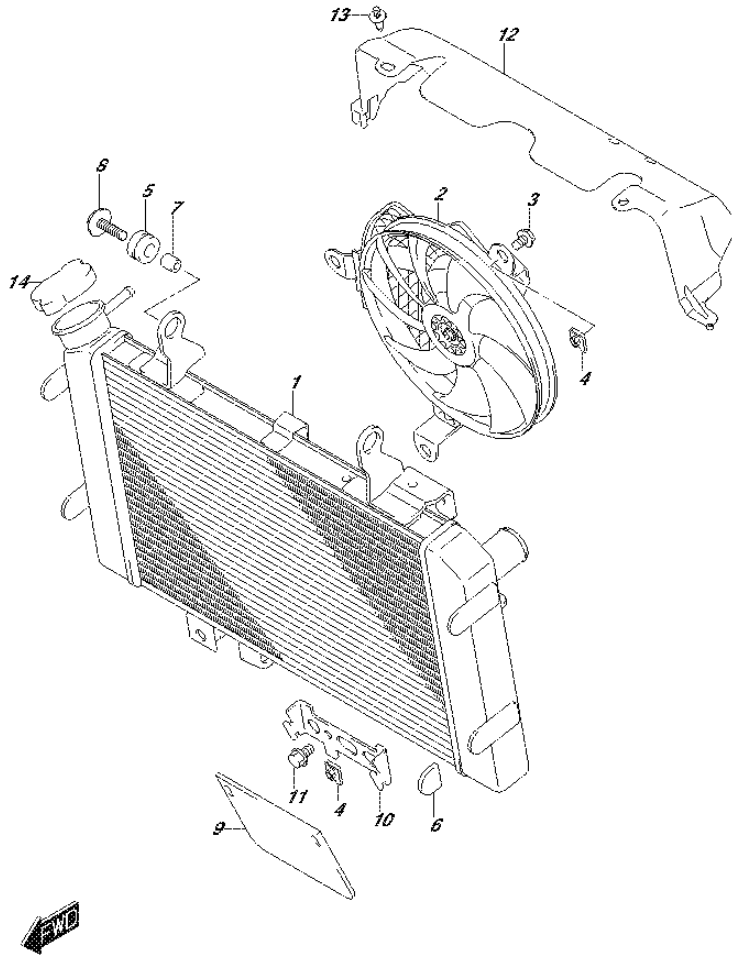


FIG.185A (1-C-7) RADIATOR

REF NO.	PART NO.	DESCRIPTION	Q'TY	REMARKS
1	17710-11J00	RADIATOR ASSY, WATER	1	
2	17800-11J00	FAN ASSY, RADIATOR	1	
3	17711-08J00	BOLT	3	
4	17712-40F00	NUT	3	
5	09320-10S01	CUSHION	3	
6	09329-18001	CUSHION	4	
7	09180-06310	SPACER (6.5X10X10)	2	
8	09118-06097	BOLT (6X25)	2	
9	17781-17G00	RUBBER, RADIATOR UNDER	1	
10	17741-17G00	BRACKET, RADIATOR UNDER RUBBER	1	
11	01550-0612A	BOLT	1	
12	17771-11J00	SHIELD, RADIATOR HEAT	1	
13	09409-06314-5PK	CLIP (BLACK)	2	
14	17730-08J00	CAP, RADIATOR 1.1	1	

FIG.187A

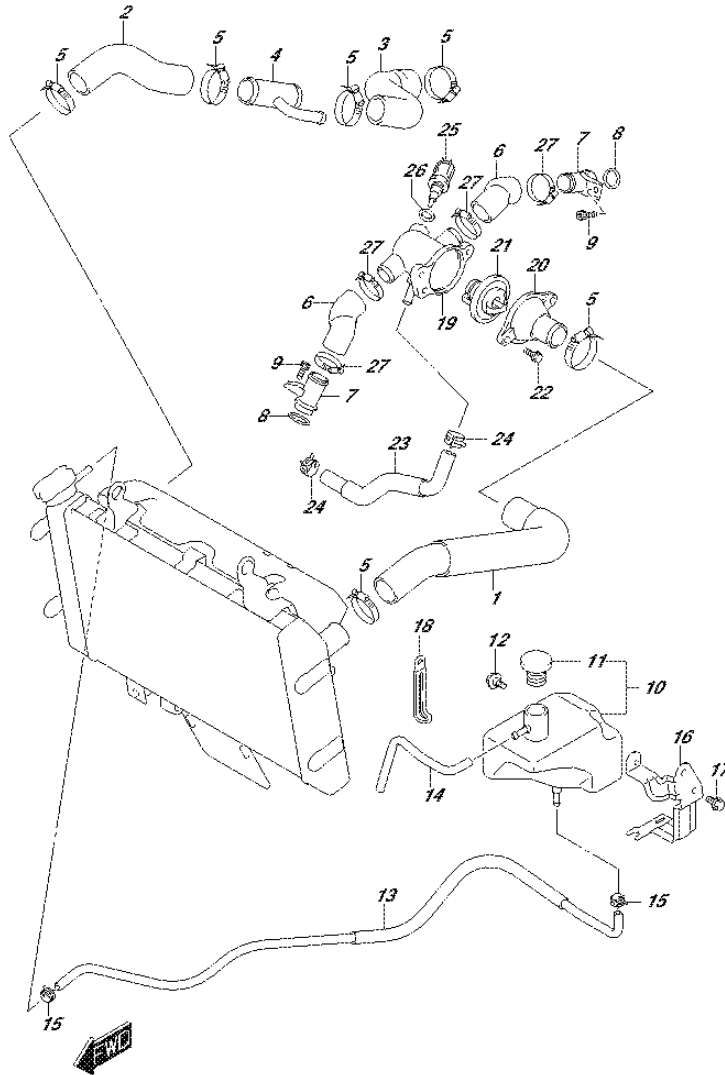
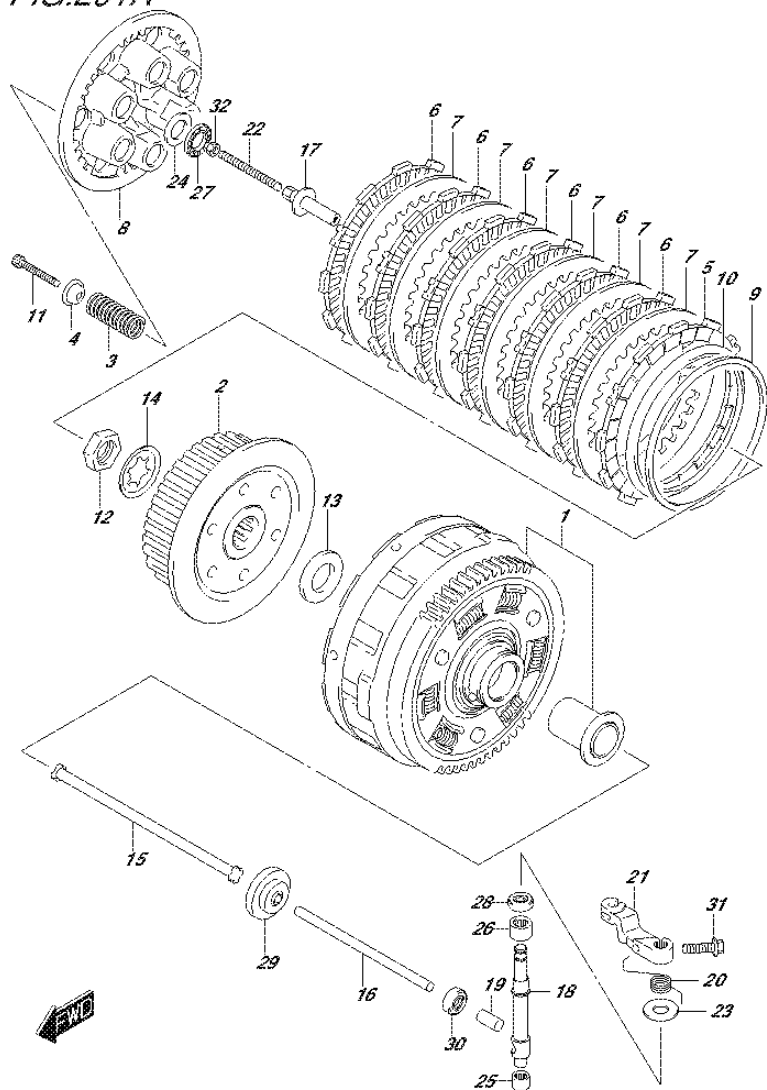


FIG.187A (1-C-8) RADIATOR HOSE

REF NO.	PART NO.	DESCRIPTION	Q'TY	REMARKS
1	17851-11J00	HOSE, RADIATOR INLET	1	
2	17852-44H20	HOSE, RADIATOR OUTLET NO.1	1	
3	17854-44H00	HOSE, RADIATOR OUTLET NO.2	1	
4	17880-44H00	UNION, 3WAY	1	
5	09402-35501	CLAMP	6	
6	17853-19F00	HOSE, CONNECTOR INLET	2	
7	17890-06G20	UNION, CONNECTOR HOSE	2	
8	09280-18008	O RING (D:3.2, ID:17.8)	2	
9	07130-0612A	BOLT	2	
10	17910-27G10	TANK ASSY, RESERVOIR	1	
11	17931-02FA0	.CAP, RESERVOIR TANK	1	
12	09111-06085	BOLT (6X12)	1	
13	17900-27810	HOSE, RESERVOIR TANK INLET	1	
14	17982-15H00	HOSE, RESERVOIR TANK OVERFLOW	1	
15	09401-08411	CLIP	2	
16	17920-27G10	BRACKET, RESERVOIR TANK	1	
17	01550-0610A	BOLT	2	
18	09404-06429	CLAMP (L:45)	1	
19	17662-02F11	CONNECTOR, THERMOSTAT INLET	1	
20	17663-17G00	CAP, THERMOSTAT CONNECTOR	1	
21	17670-06G60	THERMOSTAT, WATER	1	
22	01547-0616A	BOLT	2	
23	17856-44H00	HOSE, CONNECTOR TO WATER PUMP	1	
24	09401-12414	CLAMP	2	
25	13650-49X00	SENSOR, WATER TEMPERATURE	1	
26	09168-12017	GASKET (12X17X1)	1	
27	09402-28513	CLAMP	4	

FIG.201A



DL650AL5_E99_201A
CLUTCH

FIG.201A (1-C-9) CLUTCH

REF NO.	PART NO.	DESCRIPTION	Q'TY	REMARKS
1	21200-44860	GEAR ASSY, PRIMARY DRIVEN (NT:71)	1	
2	21411-44101	HUB, CLUTCH SLEEVE	1	
3	21413-17G10	SPRING, CLUTCH	6	
4	21414-29F00	WASHER, CLUTCH SPRING	6	
5	21442-29F10	PLATE, CLUTCH DRIVE NO.2 (T:3.0)	1	
6	21441-29F30	PLATE, CLUTCH DRIVE (T:3.0)	6	
7	21451-28C31	PLATE, CLUTCH DRIVEN (T:1.6)	6	
8	21462-14301	DISC, CLUTCH PRESSURE	1	
9	21471-17G00	SEAT, WAVE WASHER	1	
10	21472-17G00	WASHER, CLUTCH PLATE WAVE	1	
11	21482-41G10	BOLT, CLUTCH SPRING	6	
12	09140-20001	NUT	1	
13	09160-20067	WASHER (20X36X3)	1	
14	09167-20006	LOCK WASHER	1	
15	23110-44111	ROD, CLUTCH PUSH RH	1	
16	23111-15501	ROD, CLUTCH PUSH LH	1	
17	23121-44H00	PIECE, CLUTCH PUSH	1	
18	23122-44H00	CAMSHAFT, CLUTCH RELEASE	1	
19	23123-41G00	CAP, CLUTCH PUSH ROD	1	
20	23125-11J00	SPRING, CLUTCH RELEASE RETURN	1	
21	23271-44H10	ARM, CLUTCH RELEASE	1	
22	09134-06015	SCREW (6X73)	1	
23	09160-10020	WASHER (10.5X24X1)	1	
24	09160-15045	WASHER (15.5X28X1)	1	
25	09263-10014	BEARING (10X14X10)	1	
26	09263-12027	BEARING (12X18X12)	1	
27	09263-15003	BEARING (15X28X2)	1	
28	09282-10012	OIL SEAL (10X20X6)	1	
29	09283-06008	OIL SEAL (6X34X10.5)	1	
30	09285-10004	OIL SEAL (10X17X5)	1	
31	01547-0620A	BOLT	1	
32	08310-0006A	NUT	1	

DL650AL5_E99

FIG.206A

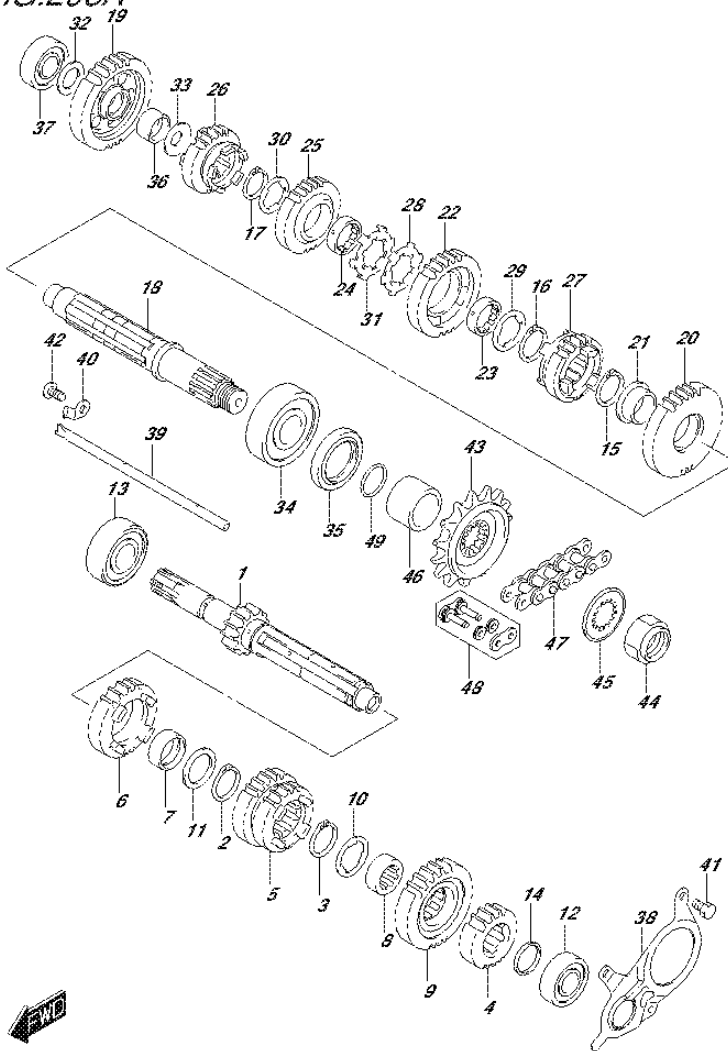


FIG.206A (1-C-10) TRANSMISSION

REF NO.	PART NO.	DESCRIPTION	Q'TY	REMARKS
1	24120-27G00	SHAFT, COUNTER (NT:13)	1	
2	24127-19F00	CIRCLIP	1	
3	24127-19F00	CIRCLIP	1	
4	24221-20F10	GEAR, 2ND DRIVE (NT:18)	1	
5	24231-20F10	GEAR, 3RD & 4TH DRIVE (NT:21/24)	1	
6	24251-20F02	GEAR, 5TH DRIVE (NT:26)	1	
7	24252-19F00	BUSH, 5TH DRIVE GEAR	1	
8	24252-38A10	BUSH, 6TH DRIVE GEAR	1	
9	24261-20F00	GEAR, 6TH DRIVE (NT:27)	1	
10	09167-25021	LOCK WASHER	1	
11	09181-25167	SHIM (25X34X1)	1	
12	09262-17046	BEARING (17X40X12)	1	LH
13	09262-20145	BEARING (20X52X15)	1	RH
14	09380-25012	CIRCLIP	1	
15	24127-19F00	CIRCLIP	1	
16	24127-19F00	CIRCLIP	1	
17	24127-19F00	CIRCLIP	1	
18	24130-44H10	SHAFT, DRIVE	1	
19	24311-44H00	GEAR, 1ST DRIVEN (NT:32)	1	
20	24321-44H10	GEAR, 2ND DRIVEN (NT:32)	1	
21	24322-19F10	BUSH, 2ND DRIVEN GEAR	1	
22	24331-44H00	GEAR, 3RD DRIVEN (NT:29)	1	
23	24332-24510	BUSH, DRIVEN GEAR	1	
24	24332-24510	BUSH, DRIVEN GEAR	1	
25	24341-44H00	GEAR, 4TH DRIVEN (NT:27)	1	
26	24351-44H10	GEAR, 5TH DRIVEN (NT:25)	1	
27	24361-44H00	GEAR, 6TH DRIVEN (NT:23)	1	
28	09167-25013	LOCK WASHER	1	
29	09167-25021	LOCK WASHER	1	
30	09167-25021	LOCK WASHER	1	
31	09169-25001	WASHER	1	
32	09181-17195	SHIM (17X28X1)	1	
33	09181-20195	SHIM (20X30X1)	1	



FIG.206A

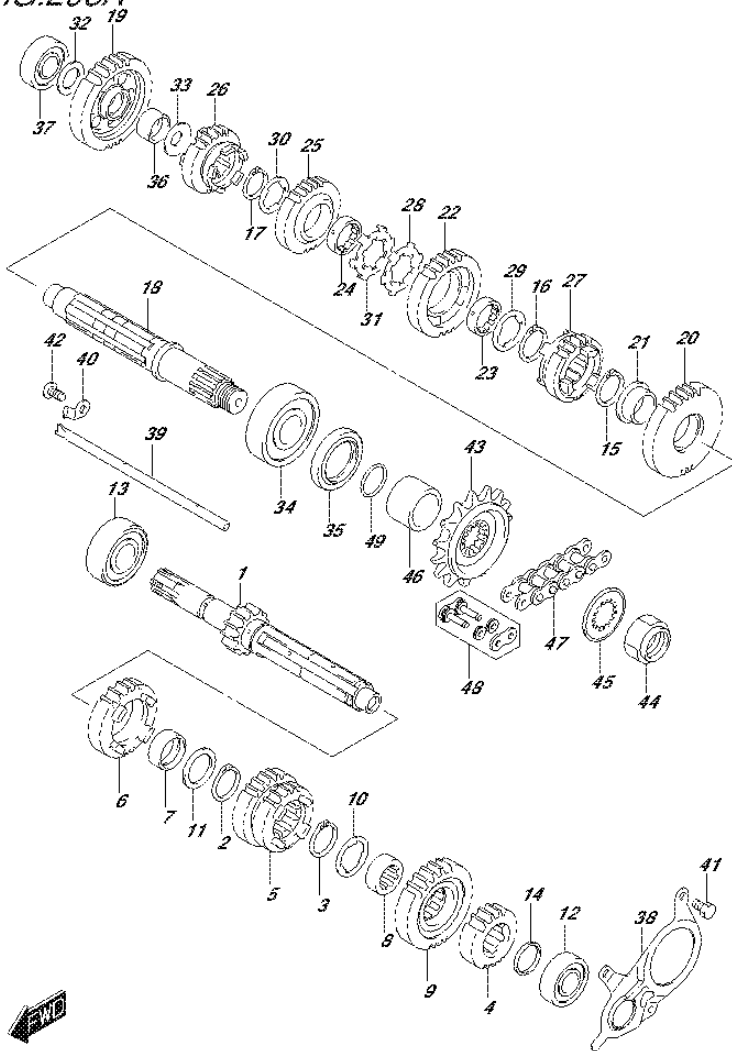


FIG.206A (1-C-11) TRANSMISSION

REF NO.	PART NO.	DESCRIPTION	Q'TY	REMARKS
34	09262-25125	BEARING (25X62X17)	1	LH
35	09283-36011	OIL SEAL (36X50X6)	1	
36	09300-20032	BUSH (20X24X13)	1	
37	09262-17023	BEARING (17X40X12)	1	RH
38	24751-19F10	RETAINER, DRIVE SHAFT OIL SEAL	1	
39	24881-12C30	GUIDE, T/M OIL	1	
40	24885-12C10	RETAINER, T/M OIL	1	
41	01500-0612A	BOLT	3	
42	02112-0612A	SCREW	1	
43	27510-20F00	SPROCKET, ENGINE (NT:15)	1	
44	09159-20004	NUT	1	
45	09167-25028	LOCK WASHER	1	
46	27531-19F10	SPACER, ENGINE SPROCKET	1	
47	27600-06G40-120	CHAIN ASSY, DRIVE (RK 525SMOZ8)	1	L:120->118
48	27620-06G40	JOINT SET, DRIVE CHAIN	1	OPT
49	09280-24010	O RING (D:2.4,ID:23.7)	1	

FIG.212A

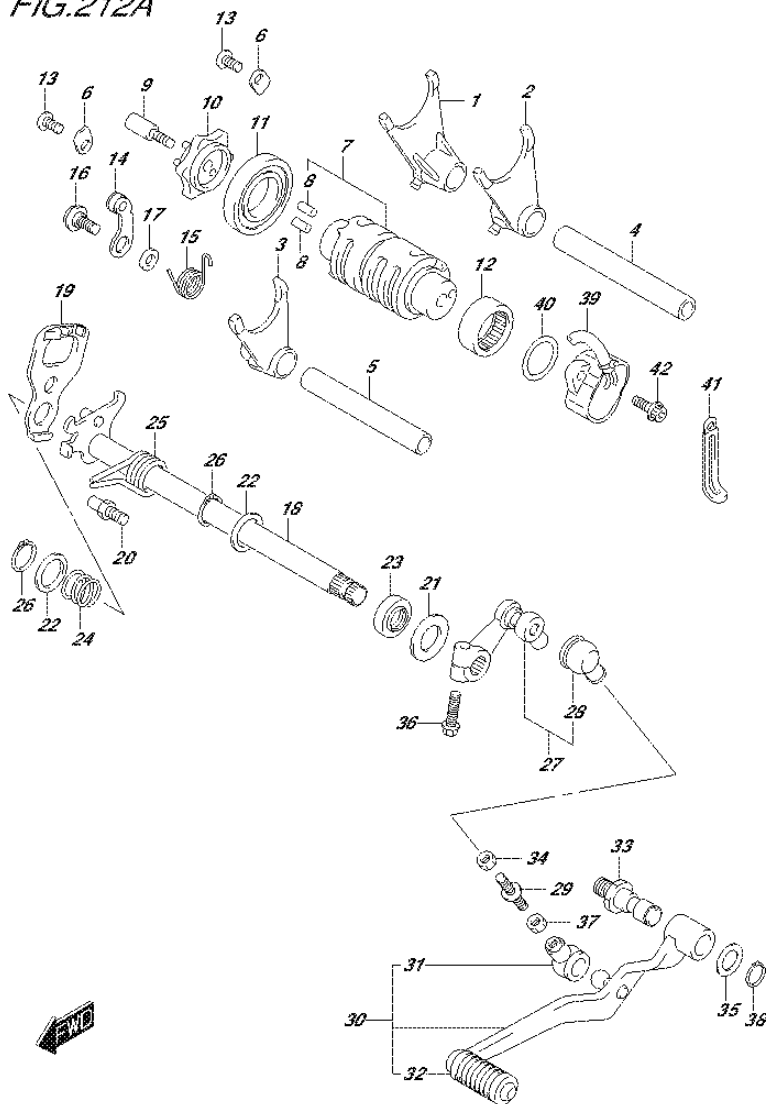


FIG.212A (1-C-12) GEAR SHIFTING

REF NO.	PART NO.	DESCRIPTION	Q'TY	REMARKS
1	25211-42E20	FORK, GEAR SHIFT NO.1	1	
2	25221-42E20	FORK, GEAR SHIFT NO.2	1	
3	25231-42E20	FORK, GEAR SHIFT NO.3	1	
4	25411-26D01	SHAFT, GEAR SHIFT FORK	1	
5	25411-44B00	SHAFT, GEAR SHIFT FORK	1	
6	24741-21A00	RETAINER, SHIFT CAM BEARING	2	
7	25310-19F00	CAM, GEAR SHIFT	1	
8	04221-04089	.PIN	2	
9	25312-42F01	STOPPER, GEAR SHIFT CAM	1	
10	25381-19F20	PLATE, GEAR SHIFT CAM	1	
11	09262-25006	BEARING (25X47X8)	1	
12	09263-25018	BEARING (25X32X12)	1	
13	02112-0612A	SCREW	2	
14	25350-35F00	STOPPER, SHIFT CAM	1	
15	25355-35F01	SPRING	1	
16	09111-06041	BOLT (6X14.3)	1	
17	08211-06141	WASHER	1	
18	25510-19F10	SHAFT, GEAR SHIFT	1	
19	25512-06G10	PLATE, GEAR SHIFT CAM DRIVE	1	
20	25671-01011	STOPPER, GEAR SHIFT ARM	1	
21	09160-14016	WASHER (14X29X0.8)	1	
22	09181-14167	SHIM (14X22X1)	2	
23	09283-14005	OIL SEAL (14X22X7.3)	1	
24	09440-17009	SPRING	1	
25	09444-20001	SPRING	1	
26	08331-3114A	CIRCLIP	3	
27	25520-27G00	ARM, GEAR SHIFT LINK	1	
28	25526-47000	.COVER, DUST	1	
29	25525-27G00	ROD, GEAR SHIFT	1	
30	25600-11J00	LEVER ASSY, GEAR SHIFT	1	
31	25526-47000	.COVER, DUST	1	
32	25652-20C00	.RUBBER, GEAR SHIFT PEDAL	1	

FIG.212A

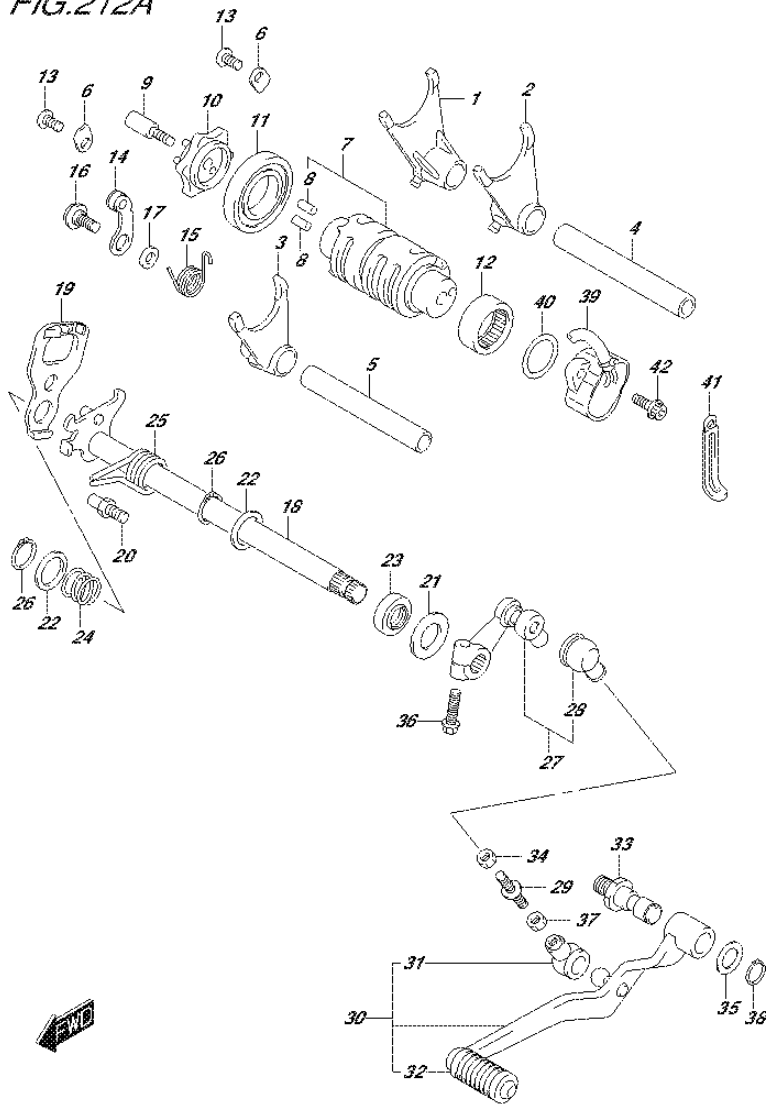


FIG.212A (1-C-13) GEAR SHIFTING

REF NO.	PART NO.	DESCRIPTION	Q'TY	REMARKS
33	25617-03F10	SHAFT, GEAR SHIFT LEVER	1	
34	09140-06025	NUT	1	
35	09160-12011	WASHER (12.5X20X1)	1	
36	01547-0620A	BOLT	1	
37	08310-00067	NUT	1	
38	08331-3112A	CIRCLIP	1	
39	37730-44H01	SENSOR ASSY, GEAR POSITION	1	
40	09280-26005	O RING (D:2.4, ID:26.2)	1	
41	09404-08419	CLAMP (L:80)	1	
42	09106-05023	BOLT (5X16)	2	

FIG.301A

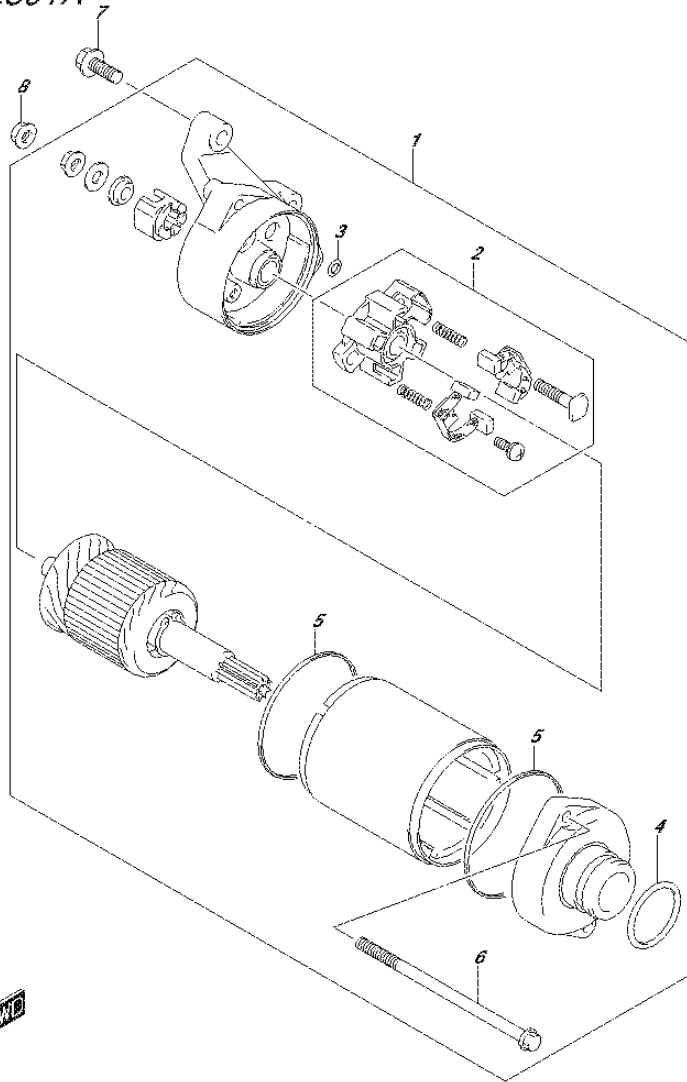


FIG.301A (1-C-14) STARTING MOTOR

REF NO.	PART NO.	DESCRIPTION	Q'TY	REMARKS
1	31100-19F10	MOTOR ASSY, STARTING	1	
2	31132-18H00	.BRUSH HOLDER SET	1	
3	31143-49040	.O RING	1	
4	31156-98E00	.O RING	1	
5	31264-38F10	.SQUARE RING	2	
6	31280-19F10	.SET BOLT	2	
7	09103-06212	BOLT (6X25)	2	
8	08361-3506A	NUT	1	

FIG.303A

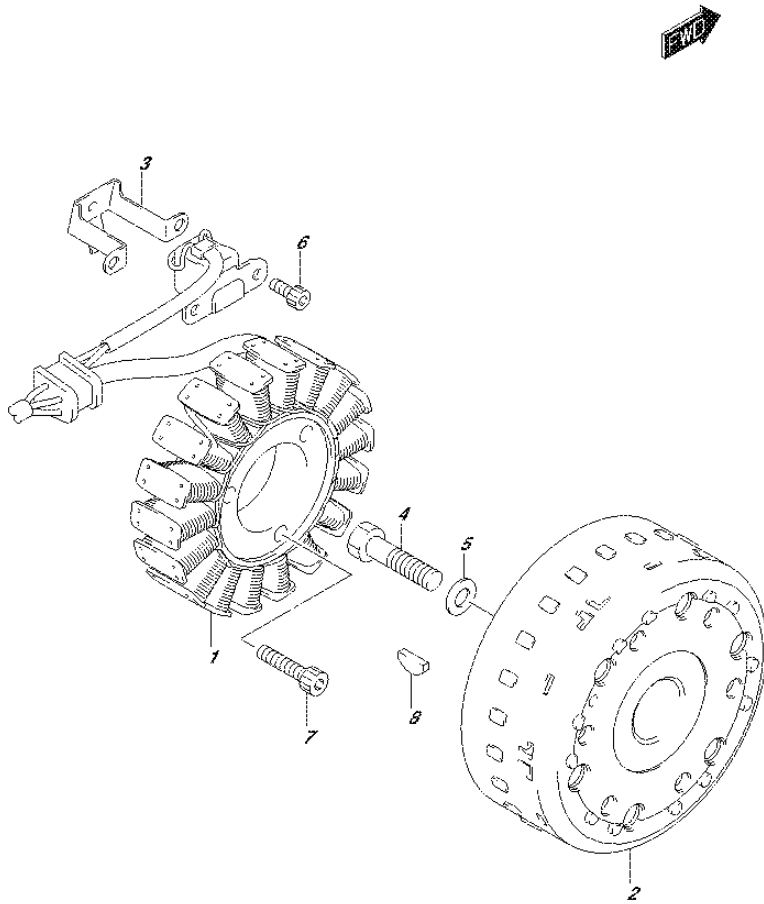


FIG.303A (1-C-15) MAGNETO

REF NO.	PART NO.	DESCRIPTION	Q'TY	REMARKS
1	32101-17G11	STATOR ASSY	1	
2	32102-17G10	ROTOR ASSY	1	
3	32371-19F10	CLAMP, MAGNETO LEAD	1	
4	09103-12004	BOLT (12X40)	1	
5	09160-12036	WASHER (12X30X3)	1	
6	07130-0512A	BOLT	2	
7	07130-0635A	BOLT	3	
8	09420-04008	KEY	1	

FIG.310A

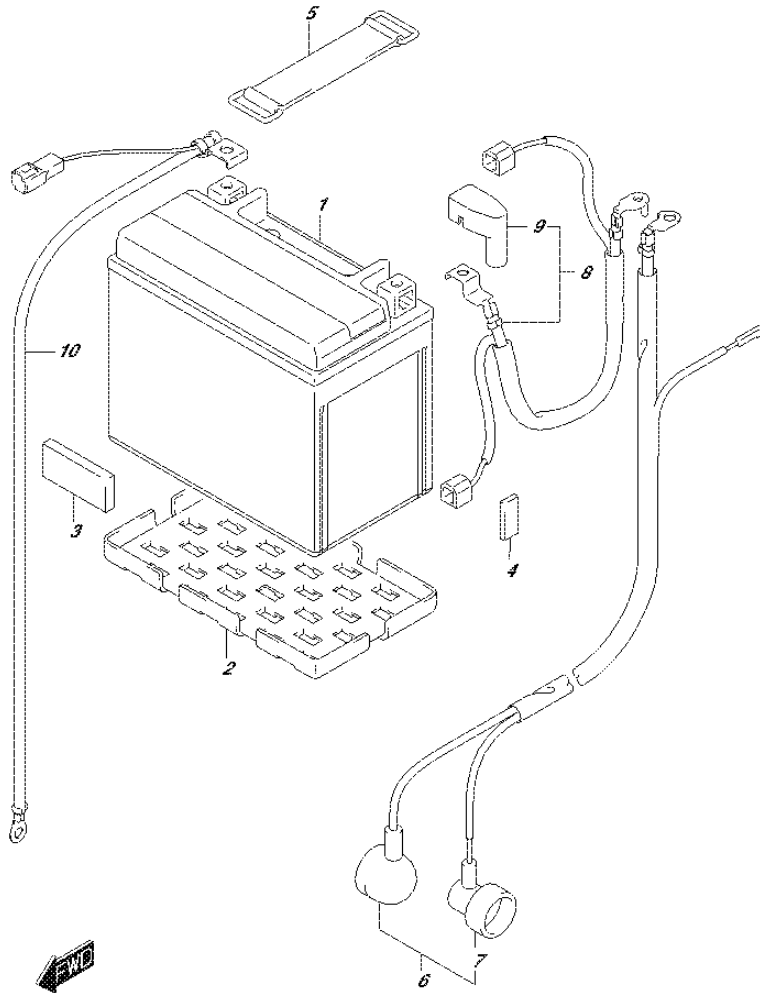


FIG.310A (1-D-2) BATTERY

REF NO.	PART NO.	DESCRIPTION	Q'TY	REMARKS
1	33610-48E21	BATTERY ASSY (FTX12-BS)	1	
2	33652-16G00	PROTECTOR, BATTERY	1	
3	33652-08420	PROTECTOR (70X100X6)	1	CUT AS REQUIRED
4	44543-10G00	PROTECTOR (20X40X3.0)	1	CUT AS REQUIRED
5	09462-00007	BAND	1	
6	33810-27G20	WIRE, STARTER MOTOR LEAD	1	
7	36618-43410	.CAP, OIL PRESSURE SWITCH	1	
8	33820-27G10	WIRE, BATTERY (+)LEAD	1	
9	33624-27G00	.CAP, BATTERY (+)	1	
10	33860-27G10	WIRE, BATTERY (-)LEAD	1	

FIG.312A

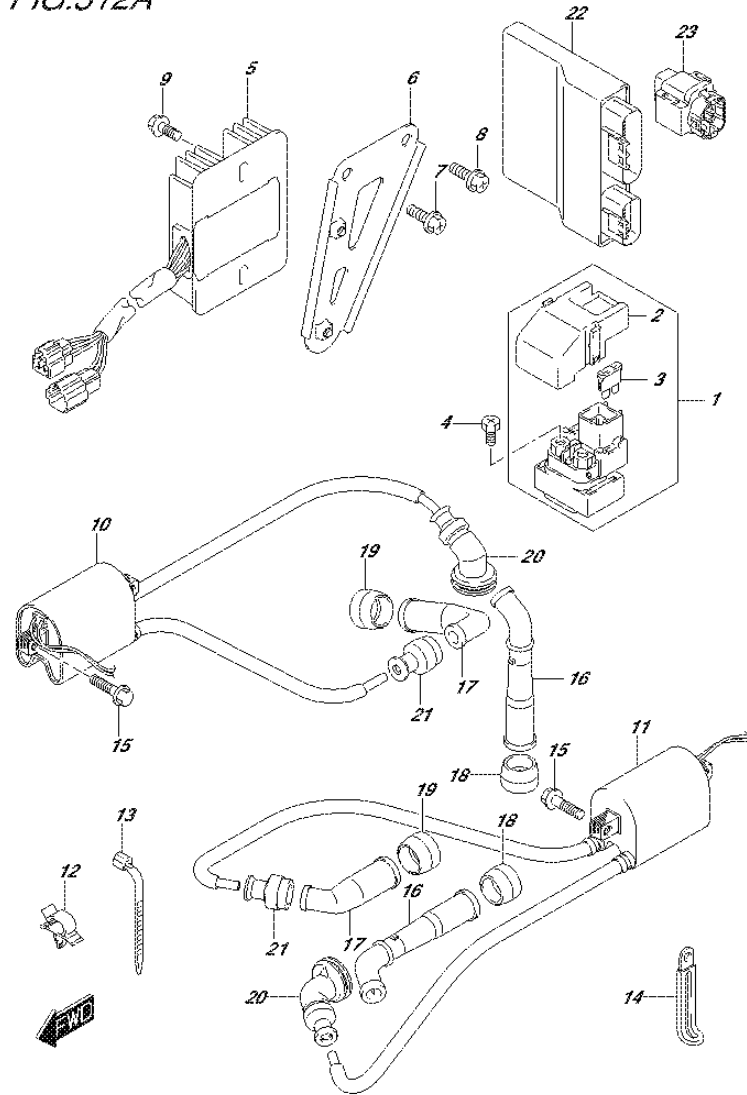


FIG.312A (1-D-3) ELECTRICAL

REF NO.	PART NO.	DESCRIPTION	Q'TY	REMARKS
1	31800-06G00	RELAY ASSY, STARTING MOTOR	1	
2	31861-47E00	.COVER, RELAY ASSY	1	
3	09481-30101	.FUSE (30A)	2	
4	09128-06013	SCREW (6X8)	2	
5	32800-47H00	RECTIFIER ASSY	1	
6	32830-11J00	BRACKET, RECTIFIER	1	
7	02162-0616A	SCREW	1	
8	02162-0610A	SCREW	1	
9	02162-0616A	SCREW	2	
10	33410-27G00	COIL ASSY, IGNITION	1	
11	33420-27G00	COIL ASSY, IGNITION	1	
12	09403-10319	CLAMP	1	
13	09407-18402	CLAMP (L:165)	1	
14	09404-06429	CLAMP (L:45)	1	
15	01547-0625A	BOLT	4	
16	33510-17G00	CAP, SPARK PLUG	2	FOR CENTER
17	33510-20E00	CAP, SPARK PLUG	2	FOR SIDE
18	33541-23E10	SEAL, SPARK PLUG CAP	2	FOR CENTER
19	33541-47D00	SEAL, SPARK PLUG CAP	2	FOR SIDE
20	33542-17G01	SEAL, HIGH TENSION CORD	2	FOR CENTER
21	33542-38B00	SEAL, HIGH TENSION CORD	2	FOR SIDE
22	32920-11JA0	CONTROL UNIT, FI	1	
23	33960-27G00	SENSOR ASSY, FUEL CUT	1	

FIG.330A

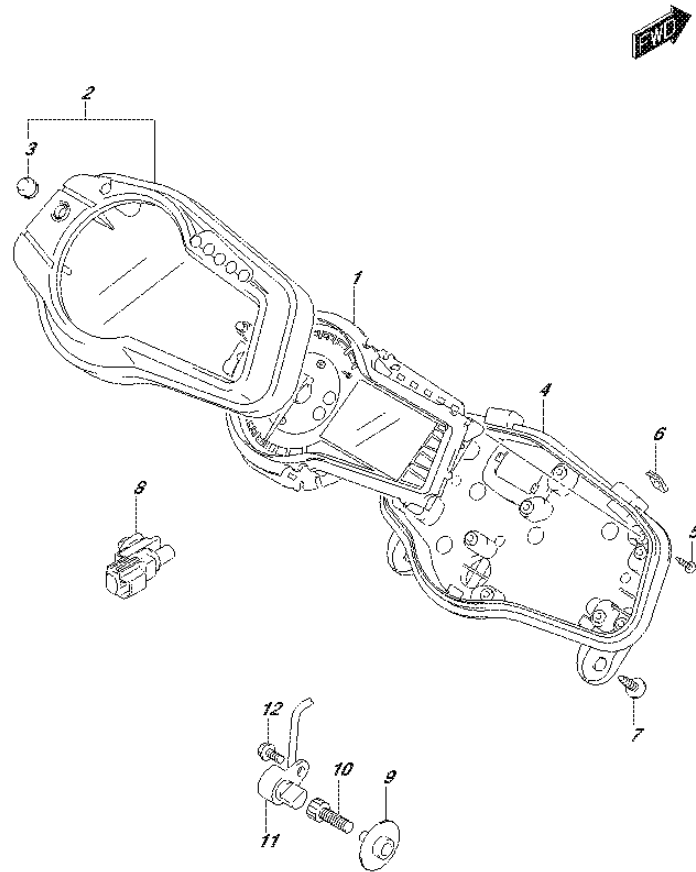


FIG.330A (1-D-4) SPEEDOMETER

REF NO.	PART NO.	DESCRIPTION	Q'TY	REMARKS
1	34120-11J01	SPEEDOMETER	1	
2	34150-11J00	CASE, UPPER	1	
3	34124-38G00	.RUBBER, SWITCH	1	
4	34111-11J00	CASE, LOWER	1	
5	09132-03008	SCREW (3X16)	11	
6	09148-05052	NUT	2	
7	03541-0516A	SCREW	2	
8	95643-58J00	SENSOR, AMBIENT AIR TEMP	1	
9	34981-38G01	ROTOR, SPEED	1	
10	07130-0825B	BOLT	1	
11	34990-35F00	SENSOR, SPEED	1	
12	07120-0512B	BOLT	1	

FIG.333A

FIG.333A (1-D-5) HEADLAMP (WITHOUT REFLECTOR)

REF NO.	PART NO.	DESCRIPTION	Q'TY	REMARKS
1	09136-05062	SCREW (5X15)	7	
2	35100-11J00-999	HEADLAMP ASSY	1	
3	35118-68K00	.SOCKET, POSITION LAMP	2	
4	35179-58J00	.COVER, SOCKET	2	
5	44572-02F01	.FASTENER	1	
6	44572-37H00	.FASTENER, COWLING	2	
7	09320-08028	.CUSHION	2	
8	09320-09039	.CUSHION	7	
9	09471-12182	BULB (12V,60/55W)	2	
10	09471-12216	BULB (12V5W)	2	

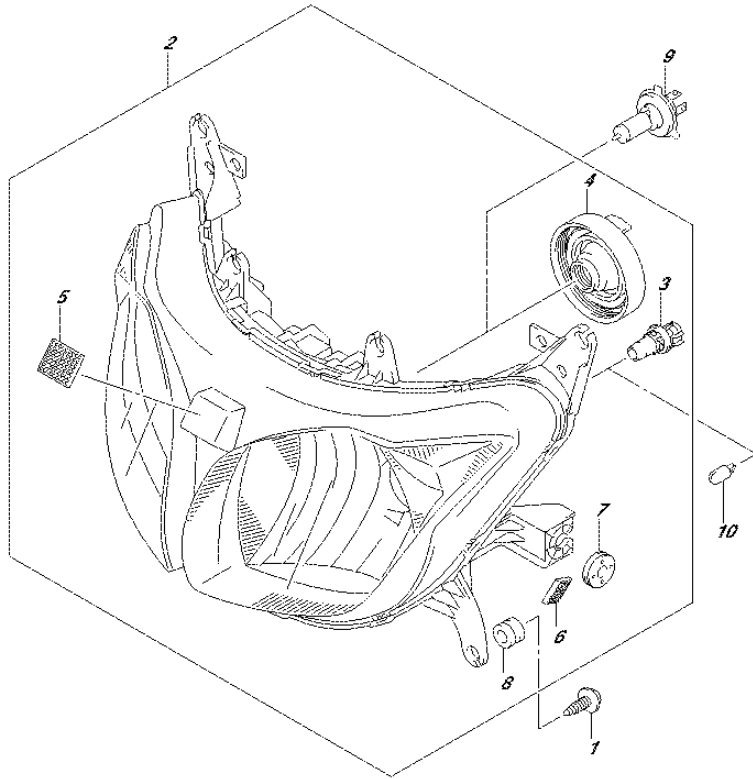


FIG.333B

FIG.333B (1-D-6) HEADLAMP (WITH REFLECTOR)

REF NO.	PART NO.	DESCRIPTION	Q'TY	REMARKS
1	09136-05062	SCREW (5X15)	7	
2	35100-11J00-999	HEADLAMP ASSY	1	
3	35118-68K00	.SOCKET, POSITION LAMP	2	
4	35179-58J00	.COVER, SOCKET	2	
5	44572-02F01	.FASTENER	1	
6	44572-37H00	.FASTENER, COWLING	2	
7	09320-08028	.CUSHION	2	
8	09320-09039	.CUSHION	7	
9	09471-12182	BULB (12V,60/55W)	2	
10	09471-12216	BULB (12V5W)	2	
11	35950-14A11	REFLEX REFLECTOR ASSY, FR SIDE	2	
12	09119-05023	BOLT (5X10)	2	
13	08322-0105A	WASHER	2	

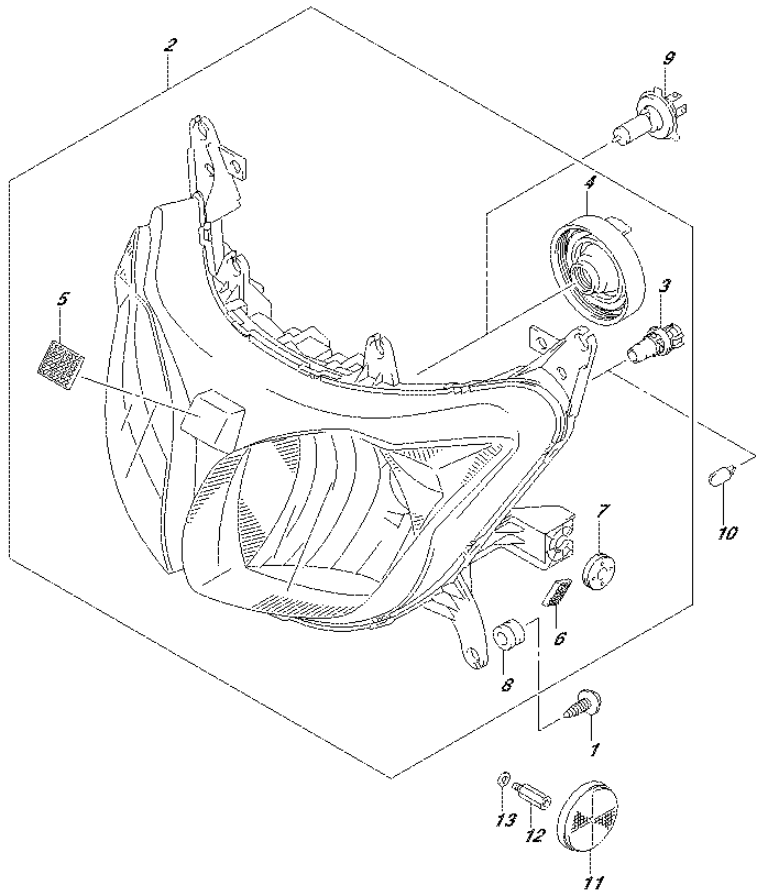


FIG.334A

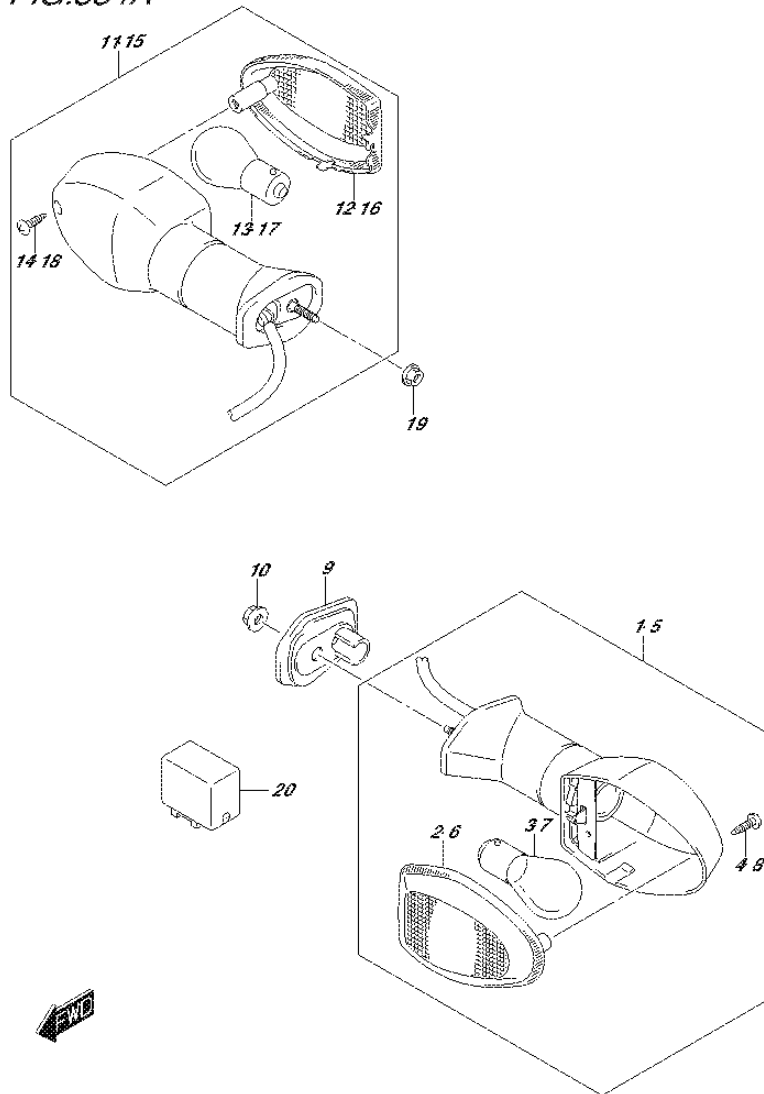


FIG.334A (1-D-7) TURN SIGNAL LAMP

REF NO.	PART NO.	DESCRIPTION	Q'TY	REMARKS
1	35601-08J01	LAMP ASSY, FR TURN SIGNAL RH	1	
2	35612-08J01	.LENS	1	
3	09471-12045	.BULB (12V,21W)	1	
4	03211-0414B	.SCREW	1	
5	35602-08J01	LAMP ASSY, FR TURN SIGNAL LH	1	
6	35632-08J01	.LENS	1	
7	09471-12045	.BULB (12V,21W)	1	
8	03211-0414B	.SCREW	1	
9	35629-18G00	PLATE, FRONT TURN SIGNAL	2	
10	08316-1005A	NUT	2	
11	35603-08J11	LAMP ASSY, RR TURN SIGNAL RH	1	
12	35632-08J01	.LENS	1	
13	09471-12045	.BULB (12V,21W)	1	
14	03211-0414B	.SCREW	1	
15	35604-08J11	LAMP ASSY, RR TURN SIGNAL LH	1	
16	35612-08J01	.LENS	1	
17	09471-12045	.BULB (12V,21W)	1	
18	03211-0414B	.SCREW	1	
19	08319-3105A	NUT	2	
20	38610-03F00	RELAY ASSY, TURN SIGNAL LAMP	1	

FIG.339A

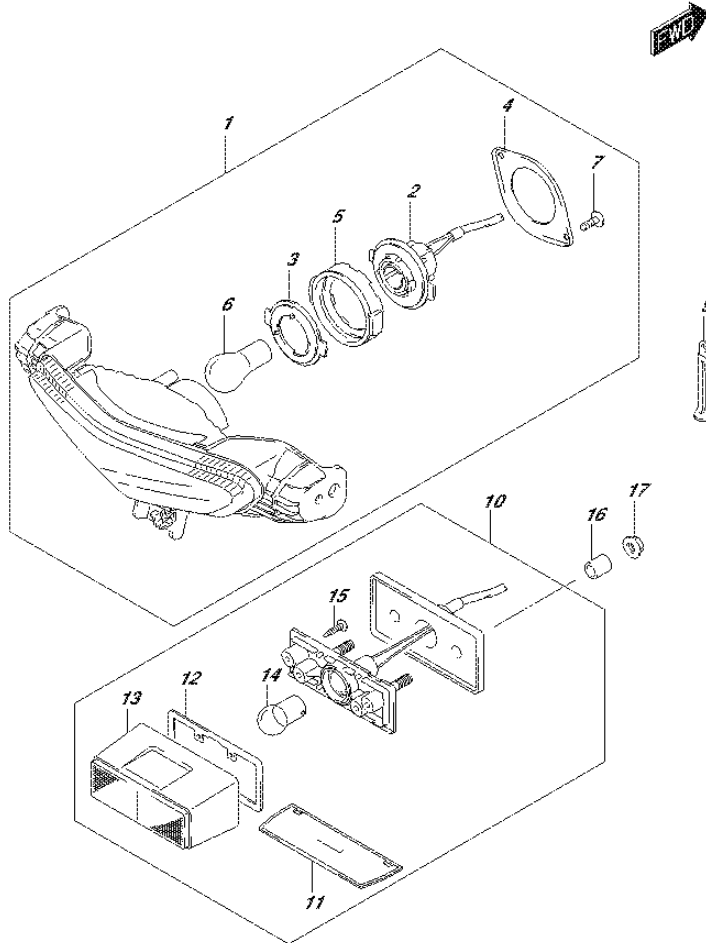


FIG.339A (1-D-8) REAR COMBINATION LAMP (WITHOUT REFLECTOR)

REF NO.	PART NO.	DESCRIPTION	Q'TY	REMARKS
1	35710-11J01	LAMP ASSY, REAR COMBINATION	1	
2	35718-11J01	.SOCKET & CORD	1	
3	35716-48B21	.PLATE, NO.1	1	
4	35736-48B21	.PLATE, NO.2	1	
5	35765-42E00	.CUSHION	1	
6	09471-12083	.BULB (12V,21/5W)	1	
7	03211-0412A	.SCREW	2	
8	03541-0616A	.SCREW	1	
9	09404-06429	CLAMP (L:45)	1	
10	35910-41G01	LAMP ASSY, LICENSE	1	
11	35912-41G01	.LENS	1	
12	35913-41G00	.GASKET	1	
13	35917-41G00	.COVER	1	
14	09471-12140	.BULB (12V,5W)	1	
15	03211-0416A	.SCREW	2	
16	09180-06263	SPACER (6.5X9X9)	2	
17	09159-06096	NUT	2	

FIG.339B

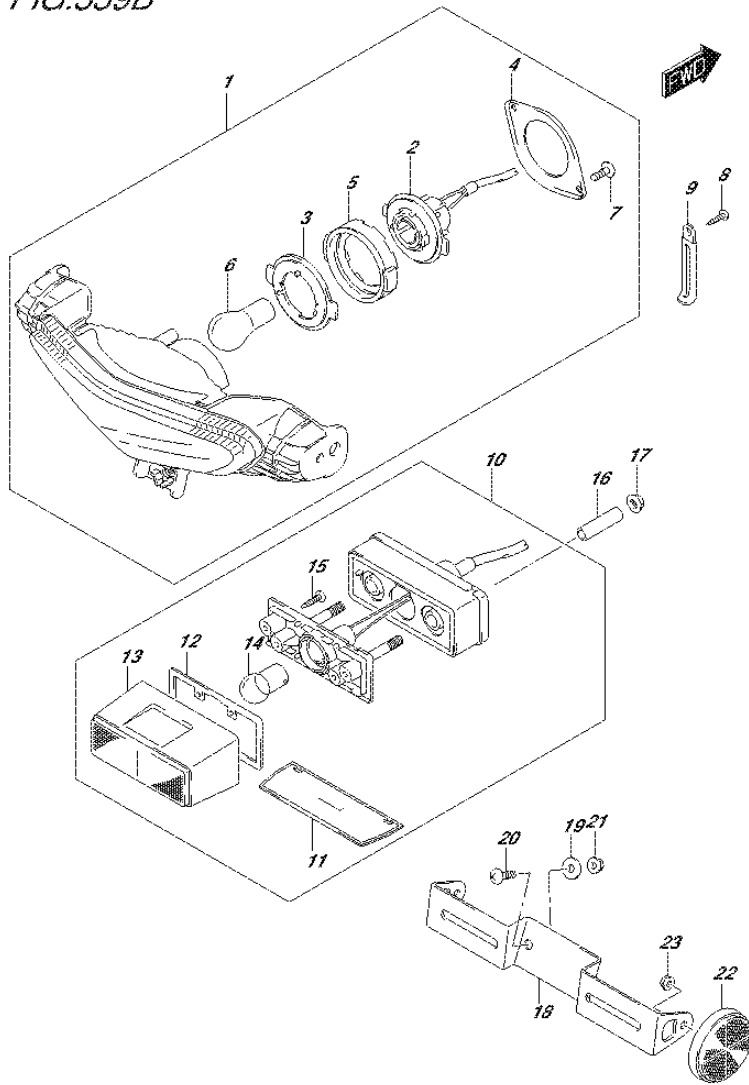


FIG.339B (1-D-9) REAR COMBINATION LAMP (WITH REFLECTOR)

REF NO.	PART NO.	DESCRIPTION	Q'TY	REMARKS
1	35710-11J01	LAMP ASSY, REAR COMBINATION	1	
2	35718-11J01	.SOCKET & CORD	1	
3	35716-48B21	.PLATE, NO.1	1	
4	35736-48B21	.PLATE, NO.2	1	
5	35765-42E00	.CUSHION	1	
6	09471-12083	.BULB (12V,21/5W)	1	
7	03211-0412A	.SCREW	2	
8	03541-0616A	.SCREW	1	
9	09404-06429	CLAMP (L:45)	1	
10	35910-41G31	LAMP ASSY, LICENSE	1	
11	35912-41G01	.LENS	1	
12	35913-41G00	.GASKET	1	
13	35917-41G00	.COVER	1	
14	09471-12140	.BULB (12V,5W)	1	
15	03211-0416A	.SCREW	2	
16	09180-06278	SPACER (6.5X9X33.3)	2	
17	09159-06096	NUT	2	
18	35927-14J30	BRACKET, LICENSE PLATE	1	
19	09160-06077	WASHER (6.5X20X1.2)	2	
20	02142-0616A	SCREW	2	
21	08316-1006A	NUT	2	
22	35970-14A20	REFLECTOR ASSY, REAR SIDE	2	
23	08316-1005A	NUT	2	

FIG.350A

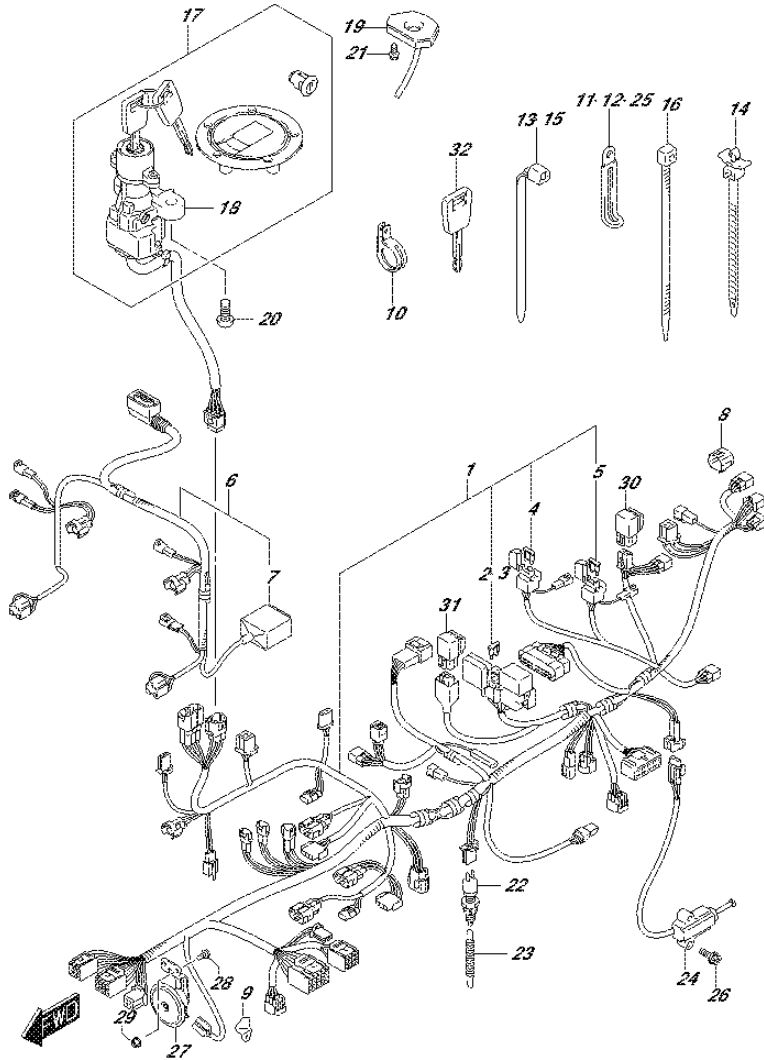


FIG.350A (1-D-10) WIRING HARNESS

REF NO.	PART NO.	DESCRIPTION	Q'TY	REMARKS
1	36610-11JH0	HARNESS, WIRING NO.1	1	
2	09481-10501	.FUSE (10A)	2	
3	09481-15501	.FUSE (15A)	4	
4	09481-15101	.FUSE (15A)	2	
5	09481-25103	.FUSE (25A)	2	
6	36620-11J01	HARNESS, WIRING NO.2	1	
7	36618-47H00	.CAP	1	
8	36654-06J00	CAP, TS	1	
9	36711-11J00	GUIDE, WIRING HARNESS	1	
10	09403-26401	CLAMP	1	
11	09404-06429	CLAMP (L:45)	1	
12	09404-06433	CLAMP (L:80)	1	
13	09407-14403	CLAMP (L:125)	2	
14	09407-14408	CLAMP (L:120)	1	
15	09407-18402	CLAMP (L:165)	2	
16	09407-14407	CLAMP (L:145)	2	
17	37000-11851	LOCK SET	1	
18	37100-11J11	.LOCK ASSY, STEERING	1	
19	37180-15H00	COVER, STEERING LOCK	1	
20	09119-08100	BOLT (8X20)	2	
21	01547-0512B	BOLT	2	
22	37740-45D00	SWITCH ASSY, STOP LAMP	1	
23	09443-06012	SPRING	1	
24	37840-06G00	SWITCH ASSY, SIDE STAND	1	
25	09404-06429	CLAMP (L:45)	1	
26	01550-0616B	BOLT	2	
27	38500-11J00	HORN ASSY	1	
28	09118-06017	BOLT (6X16)	2	
29	08316-1006B	NUT	2	
30	38740-24X50	RELAY ASSY	1	
31	38740-24X50	RELAY ASSY	1	
32	37146-11J00	KEY, BLANK	1	OPT

FIG.355A

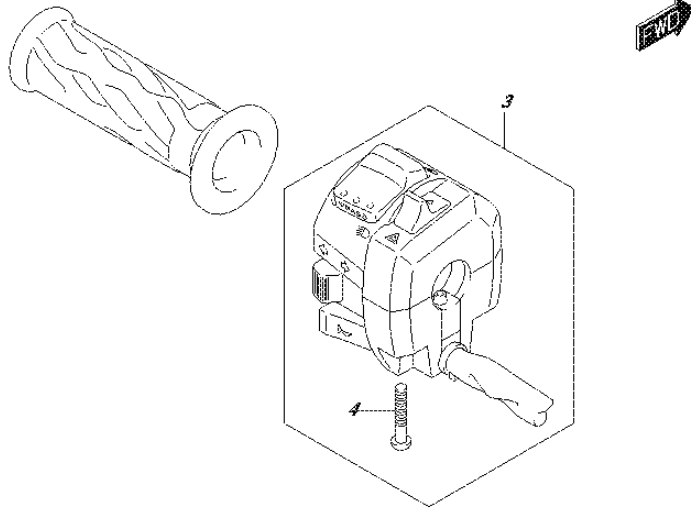


FIG.355A (1-D-11) HANDLE SWITCH

REF NO.	PART NO.	DESCRIPTION	Q'TY	REMARKS
1	37200-11J00	SWITCH ASSY, HANDLE RH	1	
2	02112-0530B	.SCREW	2	
3	37400-11J00	SWITCH ASSY, HANDLE LH	1	
4	02112-0535B	.SCREW	2	
5	09407-14407	CLAMP (L:145)	2	

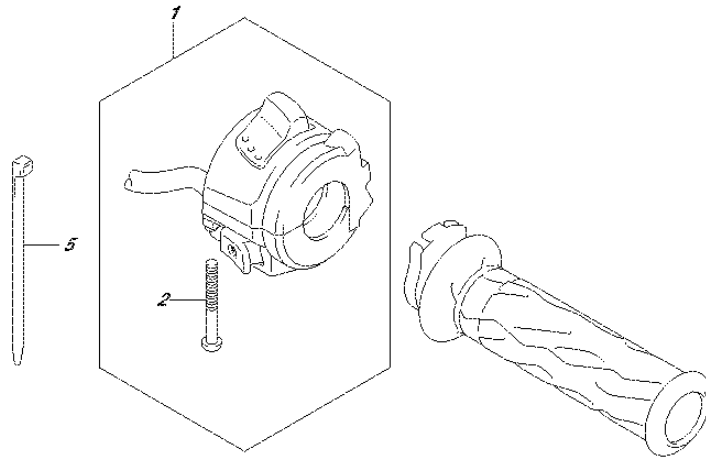


FIG.401A

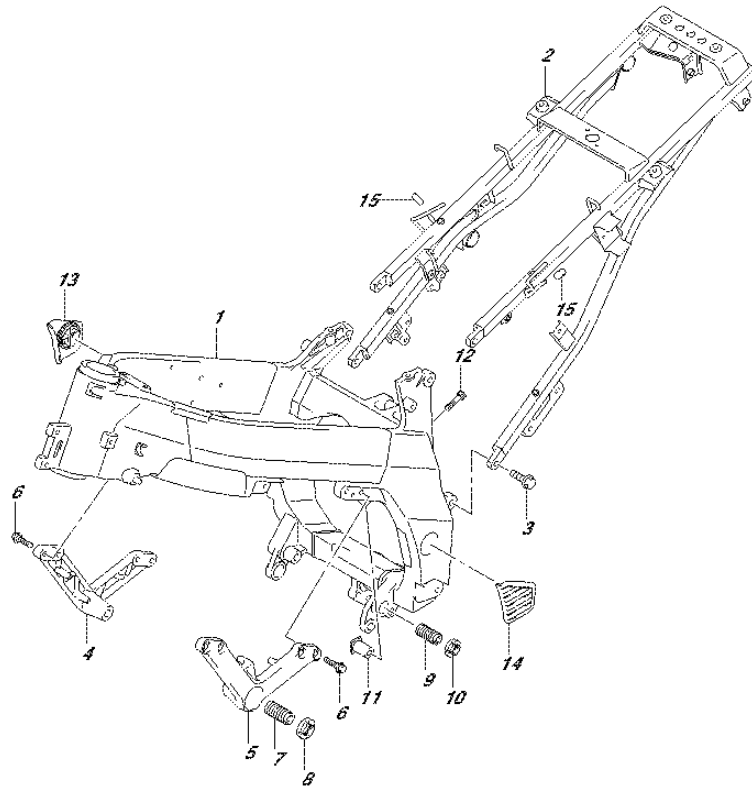


FIG.401A (1-D-12) FRAME

REF NO.	PART NO.	DESCRIPTION	Q'TY	REMARKS
1	41100-27G50-YAP	FRAME (BLACK)	1	
2	41200-11J00	RAIL, SEAT	1	
3	09103-10379	BOLT (10X30)	4	
4	41911-06G90-YAP	BRACKET, MOUNT RH (BLACK)	1	
5	41912-06G90-YAP	BRACKET, MOUNT LH (BLACK)	1	
6	09106-08121	BOLT (8X30)	8	
7	41923-16G00	BOLT, ADJUSTER CENTER	1	
8	41922-19F20	NUT, ADJUSTER CENTER	1	
9	41921-16G00	BOLT, ADJUSTER LOWER	1	
10	41922-33E20	NUT, ADJUSTER LOWER	1	
11	41941-19F01	SPACER, ADJUSTER UPPER	1	
12	09106-08168	BOLT (8X38)	1	
13	43585-27G10	COVER, PIVOT RH	1	
14	43595-27G00	COVER, PIVOT LH	1	
15	09251-04003	CAP	2	

FIG.405A

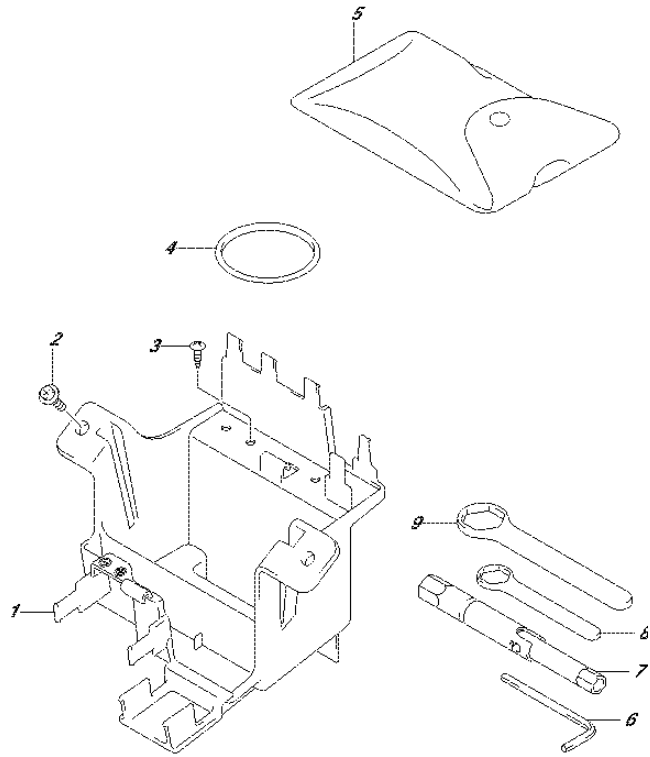


FIG.405A (1-D-13) BATTERY HOLDER

REF NO.	PART NO.	DESCRIPTION	Q'TY	REMARKS
1	47431-27GA0	HOLDER, BATTERY	1	
2	09111-06107	BOLT (6X12)	2	
3	09132-05053	SCREW (5X16)	2	
4	09280-63003	O RING (D:3.5,ID:62.6)	1	
5	09800-21055	TOOL ASSY	1	
6	09816-00059	HEXAGON SPANNER, 5	1	
7	09816-00149	BOX, SPANNER	1	
8	09817-00035	RING SPANNER, 22	1	
9	09817-00039	RING, SPANNER 24	1	



FIG.407A

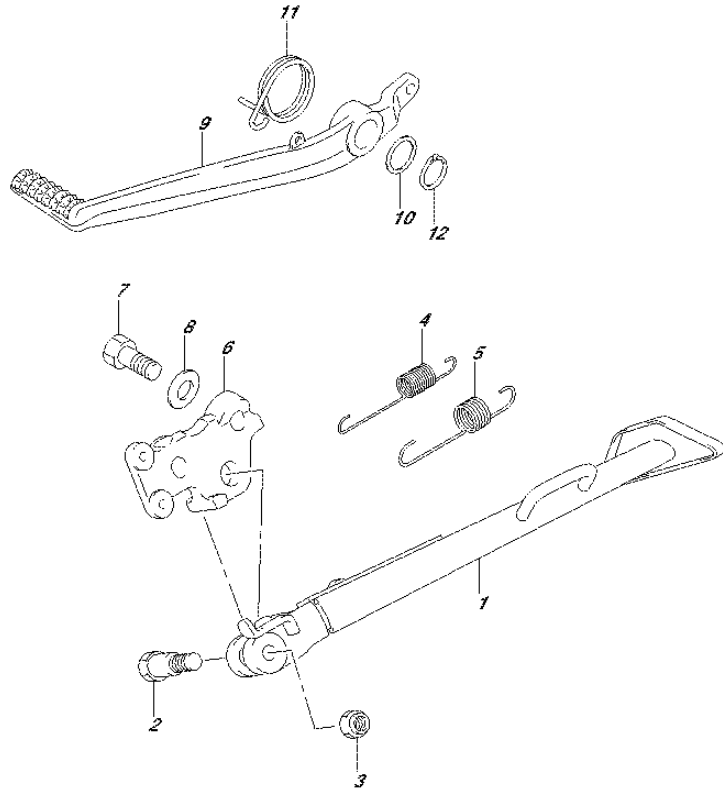


FIG.407A (1-D-14) STAND

REF NO.	PART NO.	DESCRIPTION	Q'TY	REMARKS
1	42310-06G60	STAND, PROP	1	
2	09111-10058	BOLT (10X37.5)	1	
3	42321-03FK0	NUT	1	
4	09443-14058	SPRING	1	INNER
5	09443-19011	SPRING	1	OUTER
6	42330-06G60	BRACKET, PROP STAND	1	
7	09100-12084	BOLT (12X30)	2	
8	09160-12061	WASHER (12.5X24X2.6)	2	
9	43111-27G00	PEDAL, BRAKE	1	
10	09160-18022	WASHER (18X24X1)	1	
11	09448-41005	SPRING	1	
12	08331-3118A	CIRCLIP	1	



FIG.412A

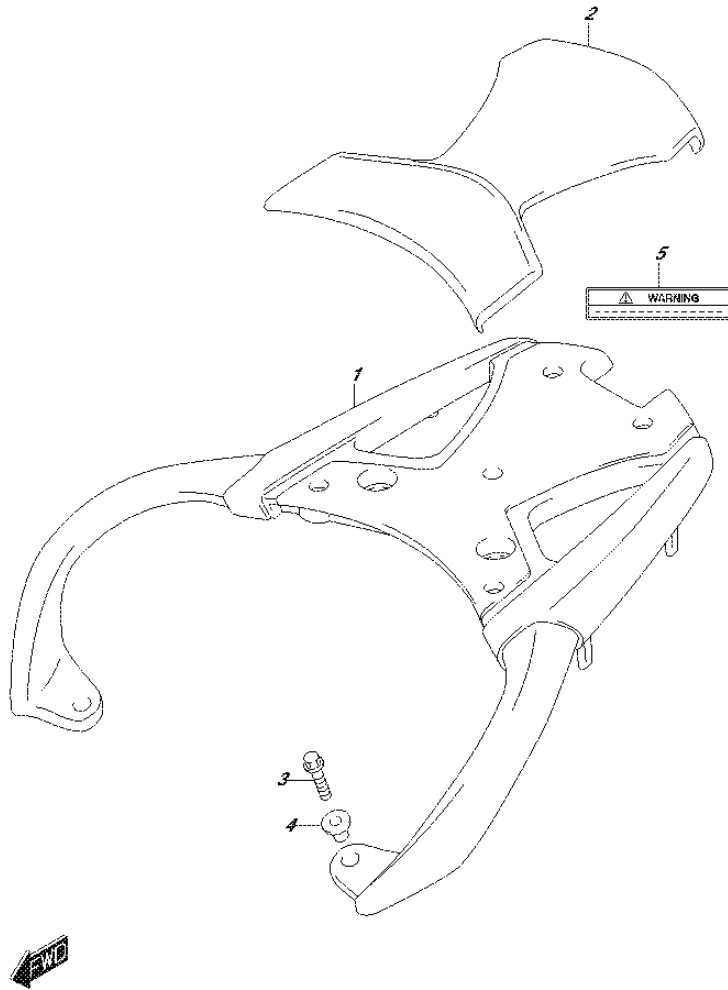


FIG.412A (1-D-15) CARRIER

REF NO.	PART NO.	DESCRIPTION	Q'TY	REMARKS
1	46311-11J00-YKV	CARRIER, SPORT (BLACK)	1	
2	46321-11J00	MAT, CARRIER	1	
3	09103-08512	BOLT (8X35)	4	
4	09169-08049	WASHER	4	
5-1	68391-06G80	LABEL, CARRIER (ENGLISH)	1	
5-2	68391-06G50	LABEL, CARRIER (SPANISH)	1	
5-3	68391-06G60	LABEL, CARRIER (KOREAN)	1	

FIG.415A

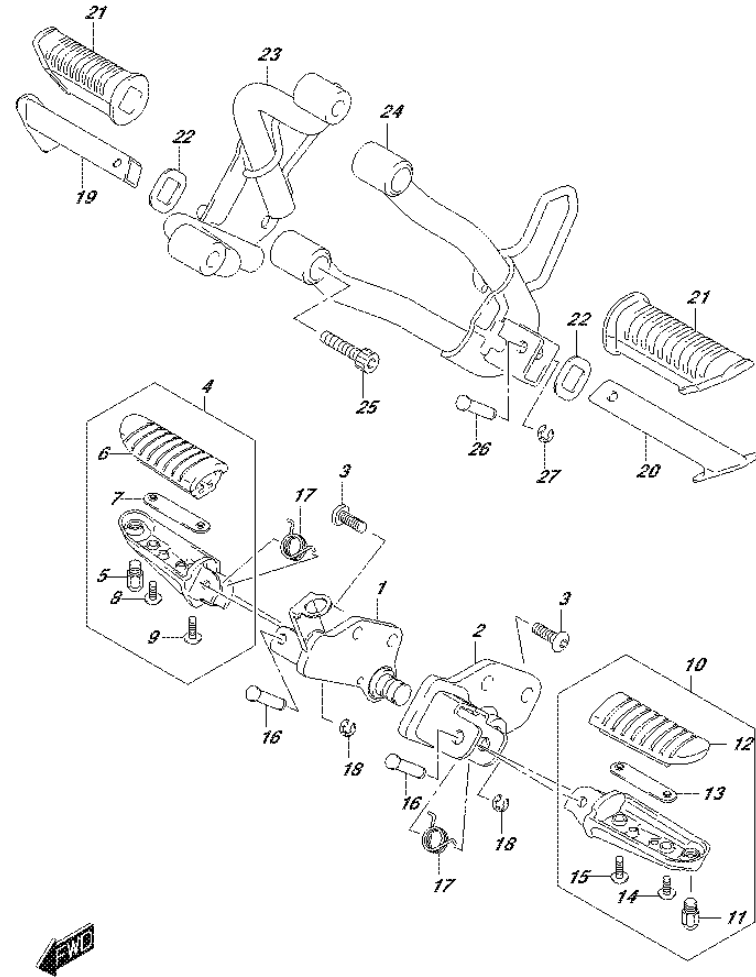


FIG.415A (1-E-2) FOOTREST

REF NO.	PART NO.	DESCRIPTION	Q'TY	REMARKS
1	43510-11J00-YAP	BRACKET, FRONT RH (BLACK)	1	
2	43520-11J00-YAP	BRACKET, FRONT LH (BLACK)	1	
3	09106-08150	BOLT (8X23)	4	
4	43501-06G01	FOOTREST ASSY, FRONT RH	1	
5	43576-07D01	.SENSOR, FOOTREST	1	
6	43551-06G00	.RUBBER	1	
7	43552-06G00	.PLATE	1	
8	02142-0516B	.SCREW	1	OUTER
9	02142-0520B	.SCREW	1	INNER
10	43502-06G01	FOOTREST ASSY, FRONT LH	1	
11	43576-07D01	.SENSOR, FOOTREST	1	
12	43551-06G00	.RUBBER	1	
13	43552-06G00	.PLATE	1	
14	02142-0516B	.SCREW	1	OUTER
15	02142-0520B	.SCREW	1	INNER
16	09208-08010	PIN (8X33.2)	2	
17	09448-18022	SPRING	2	
18	08332-1106B	E RING	2	
19	43610-34A00	BAR, PILLION FOOTREST RH	1	
20	43710-34A00	BAR, PILLION FOOTREST LH	1	
21	43612-33G01	RUBBER, PILLION FOOTREST	2	
22	43631-34A01	WASHER, FOOTREST RUBBER	2	
23	43810-27G10-YAP	BRACKET, PILLION RH (BLACK)	1	
24	43820-27G01-YAP	BRACKET, PILLION LH (BLACK)	1	
25	09106-08074	BOLT (8X40)	4	
26	09208-06008	PIN (6X29.5)	2	
27	08332-1104A	E RING	2	

FIG. 420A

FIG.420A (1-E-3) FUEL TANK

REF NO.	PART NO.	DESCRIPTION	Q'TY	REMARKS
1	44100-11J00-YKV	TANK, FUEL (BLACK)	1	
2	44200-16850	CAP SET, FUEL TANK	1	
3	44244-11J00	BOLT, FUEL TANK FILLER CAP	3	
4	44541-11J00	CUSHION, SIDE	2	
5	44550-06G10	BRACKET, REAR LOWER	1	
6	01550-0816A	BOLT	2	
7	44545-06G00	CUSHION, LOWER	1	
8	44542-06G00	CUSHION, UPPER	1	
9	44530-06G00	BRACKET, UPPER	1	
10	01550-0835A	BOLT	1	
11	44572-44G00	FASTENER	2	
12	44194-11J00	SHIELD, TANK CENTER	1	
13	44154-11J00	BRACKET, FRONT COVER	1	
14	09139-06192	SCREW (6X25)	2	
15	44511-16G00	CUSHION, FUEL TANK FRONT	2	
16	44512-16G00	WASHER, FUEL TANK FRONT	2	
17	44520-11J00	BRACKET, FUEL TANK FRONT	1	
18	01550-0620B	BOLT	3	
19	44560-11J00	BRACKET, FRONT SIDE	2	
20	44542-11J00	CUSHION, FRONT SIDE BRACKET	2	
21	01550-0612B	BOLT	2	
22	68241-11J01	MOLDING, FUEL TANK	2	
23	44179-11J00	BRACKET, FUEL TANK COVER RH	1	
24	44189-11J00	BRACKET, FUEL TANK COVER LH	1	
25	44572-13G00	FASTENER, FUEL TANK	2	
26	44183-23H00	CUSHION, FUEL TANK SIDE COVER	2	
27	09329-18001	CUSHION	2	
28	07120-0612A	BOLT	2	
29	44423-11J20	HOSE, FUEL TANK DRAIN NO.1	1	
30	44423-11J30	HOSE, FUEL TANK DRAIN NO.2	1	
31	09367-08005	3 WAY	1	
32	44424-14J00	HOSE, FUEL TANK BREATHER NO.1	1	

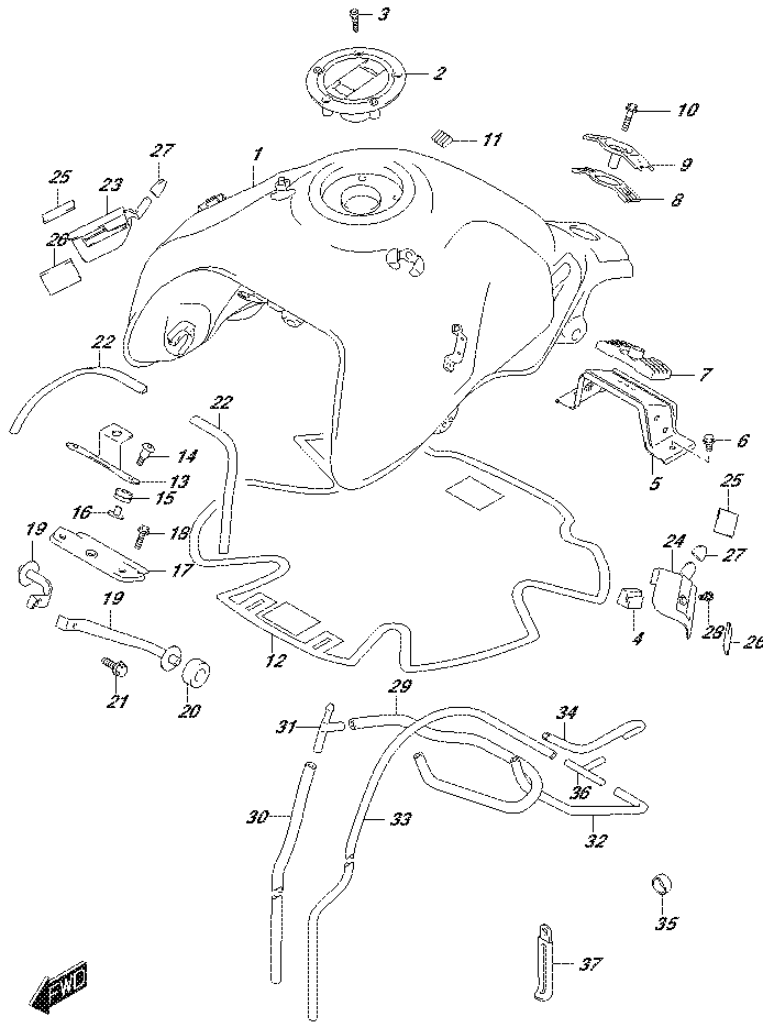


FIG. 420A

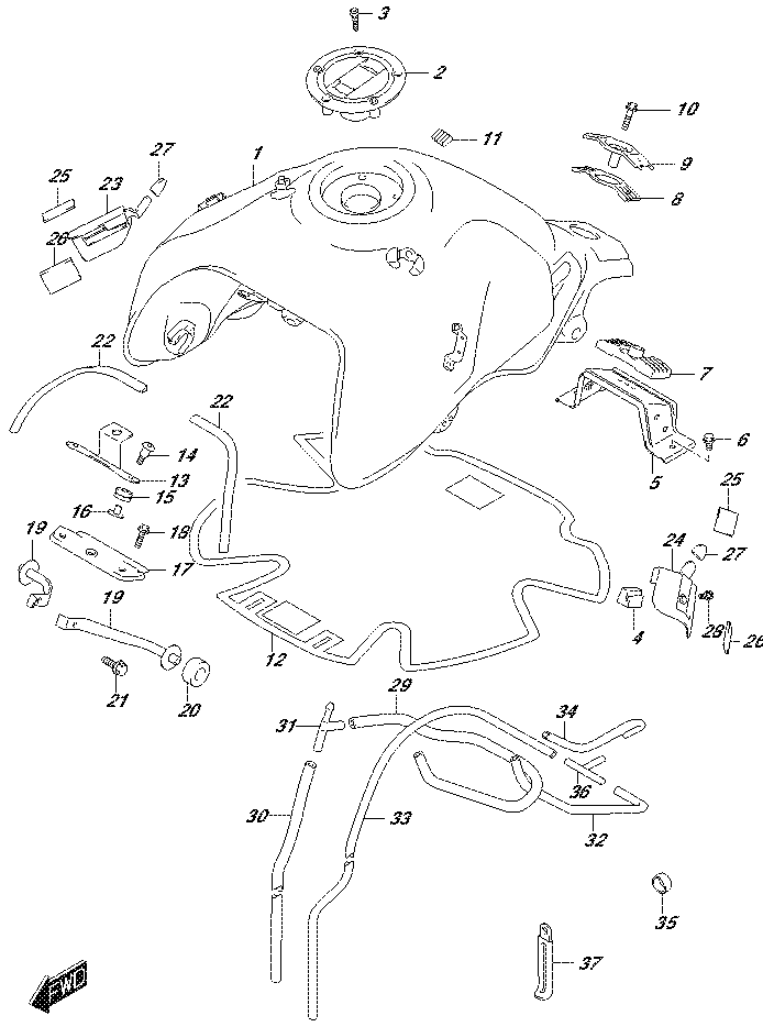


FIG.420A (1-E-4) FUEL TANK

REF NO.	PART NO.	DESCRIPTION	Q'TY	REMARKS
33	09352-50823-00B	HOSE (5X8.2X2000)	1	L:2000->690
34	09352-50823-600	HOSE (5X8.2X600)	1	L:600->160
35	09352-12163-600	HOSE (12X16X600)	1	L:600->10
36	09367-06007	3 WAY	1	
37	09404-06433	CLAMP (L:80)	1	

FIG.423A

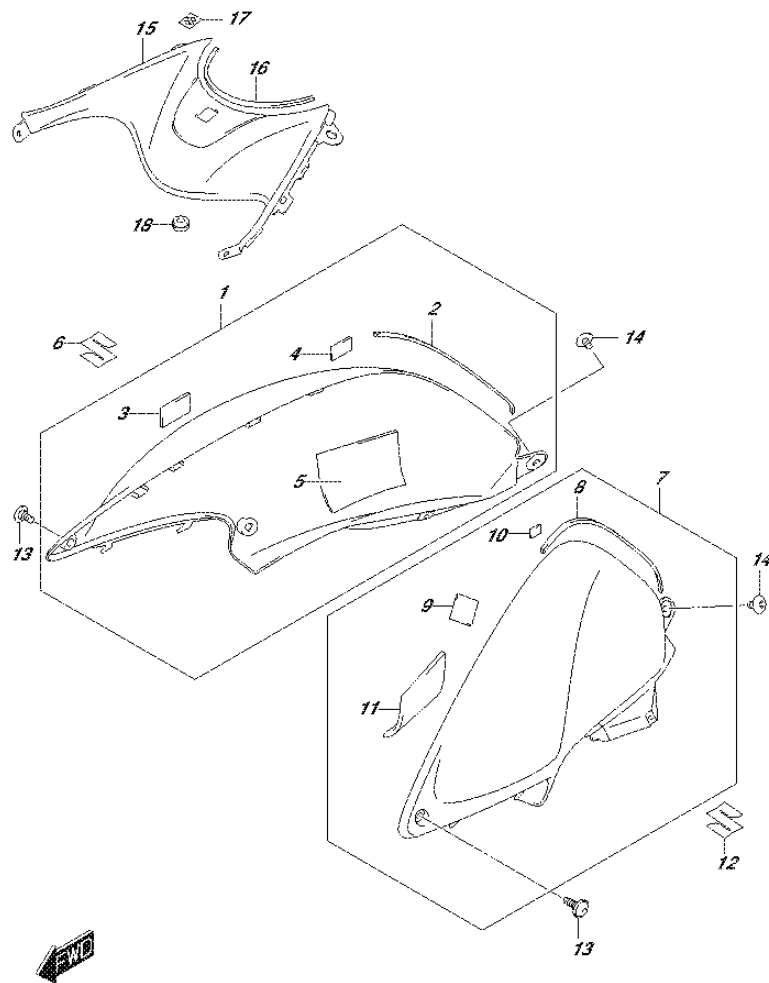


FIG.423A (1-E-5) FUEL TANK COVER

REF NO.	PART NO.	DESCRIPTION	Q'TY	REMARKS
1-1	44170-11J00-RB5	COVER, SIDE RH (WHITE)	1	
1-2	44170-11J00-YYG	COVER, SIDE RH (RED)	1	
1-3	44170-11J00-YSF	COVER, SIDE RH (BLUE)	1	
1-4	44170-11J00-PGZ	COVER, SIDE RH (GRAY)	1	
2	44277-37H00	.CUSHION, SIDE COVER	1	
3	44572-13G00	.FASTENER, FUEL TANK	1	
4	44572-44G00	.FASTENER	1	
5	44278-11J00	.CUSHION	1	
6	68111-47HA0	EMBLEM, "S"	1	
7-1	44180-11J00-RB5	COVER, SIDE LH (WHITE)	1	
7-2	44180-11J00-YYG	COVER, SIDE LH (RED)	1	
7-3	44180-11J00-YSF	COVER, SIDE LH (BLUE)	1	
7-4	44180-11J00-PGZ	COVER, SIDE LH (GRAY)	1	
8	44277-37H00	.CUSHION, SIDE COVER	1	
9	44572-13G00	.FASTENER, FUEL TANK	1	
10	44572-44G00	.FASTENER	1	
11	44278-11J00	.CUSHION	1	
12	68111-47HA0	EMBLEM, "S"	1	
13	09139-05064	SCREW (5X13)	4	
14	44193-11J00	SCREW, FUEL TANK COVER	2	
15	44191-11J00	COVER, FUEL TANK FRONT	1	
16	44192-11J00	CUSHION, FUEL TANK FRONT COVER	1	
17	68281-47HA0	EMBLEM, "S"	1	
18	09320-06504	CUSHION	1	

FIG.445A

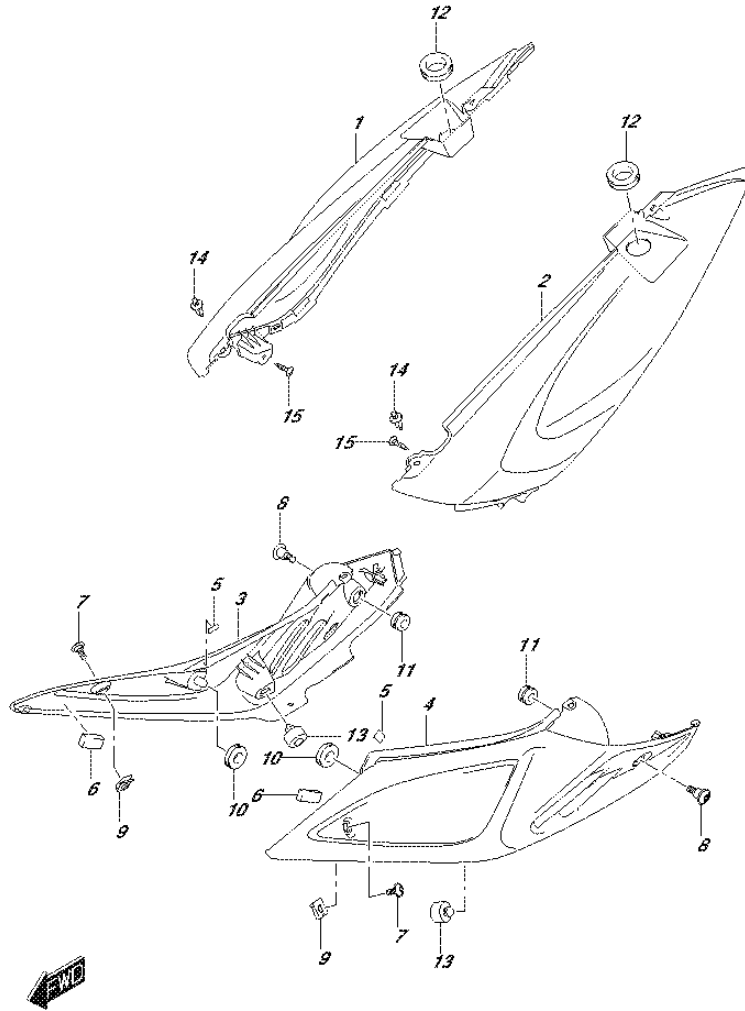


FIG.445A (1-E-6) FRAME COVER

REF NO.	PART NO.	DESCRIPTION	Q'TY	REMARKS
1-1	47111-11J01-RB5	COVER, FRAME RH (WHITE)	1	
1-2	47111-11J01-YYG	COVER, FRAME RH (RED)	1	
1-3	47111-11J01-YSF	COVER, FRAME RH (BLUE)	1	
1-4	47111-11J01-PGZ	COVER, FRAME RH (GRAY)	1	
2-1	47211-11J01-RB5	COVER, FRAME LH (WHITE)	1	
2-2	47211-11J01-YYG	COVER, FRAME LH (RED)	1	
2-3	47211-11J01-YSF	COVER, FRAME LH (BLUE)	1	
2-4	47211-11J01-PGZ	COVER, FRAME LH (GRAY)	1	
3	47411-11J00	COVER, FRAME SIDE RH	1	
4	47511-11J00	COVER, FRAME SIDE LH	1	
5	63115-37H00	CUSHION, FRAME COVER	2	
6	94423-10G00	CUSHION, FRAME COVER	2	
7	09139-05074	BOLT (5X13)	2	
8	09139-06179	BOLT (6X20)	2	
9	09148-05052	NUT	2	
10	09320-08028	CUSHION	2	
11	09320-09016	CUSHION	2	
12	09320-20010	CUSHION	2	
13	09321-10001	CUSHION	2	
14	09409-06314-5PK	CLIP (BLACK)	4	
15	03541-0416A	SCREW	2	

FIG.460A

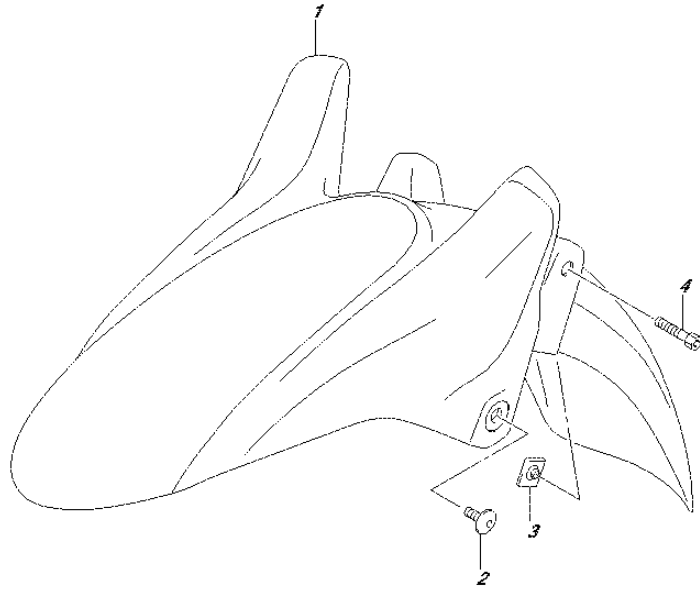


FIG.460A (1-E-7) FRONT FENDER

REF NO.	PART NO.	DESCRIPTION	Q'TY	REMARKS
1	53111-11J01-291	FENDER, FRONT (BLACK)	1	
2	09139-06158	SCREW (6X16)	2	
3	53122-06G00	NUT	2	
4	09106-06122	BOLT (6X30)	2	



FIG.462A

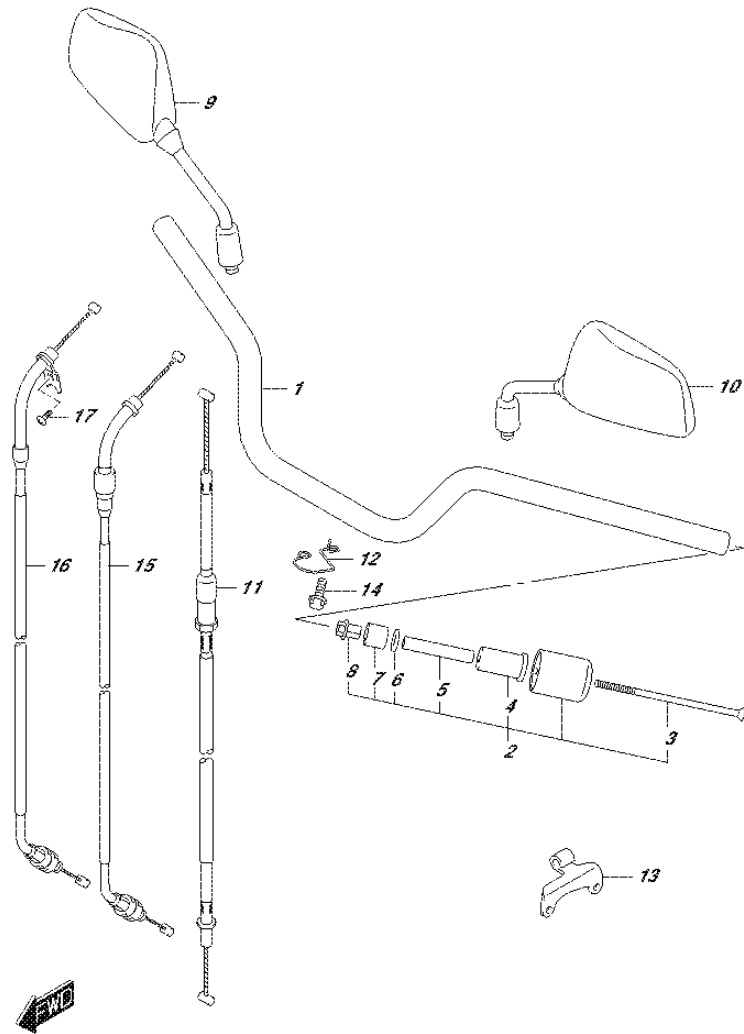


FIG.462A (1-E-8) HANDLEBAR

REF NO.	PART NO.	DESCRIPTION	Q'TY	REMARKS
1	56111-11J01-YUS	HANDLEBAR (SILVER)	1	
2	56200-16841	BALANCER SET, HANDLEBAR	2	
3	09127-06018	.SCREW (6X110)	2	
4	56272-06G00	.EXPANDER, OUTER	2	
5	56276-17D00	.SPACER	2	
6	09160-06131	.WASHER (6.5X16X4)	2	
7	56272-10G00	.EXPANDER, INNER	2	
8	56273-10G10	.NUT	2	
9	56500-04F30	MIRROR ASSY, REAR VIEW RH	1	
10	56600-04F30	MIRROR ASSY, REAR VIEW LH	1	
11	58200-11J00	CABLE ASSY, CLUTCH	1	
12	58631-11J10	GUIDE, CLUTCH CABLE	1	
13	58634-44H00	STOPPER, CLUTCH CABLE	1	
14	01547-0612A	BOLT	1	
15	58300-11J00	CABLE ASSY, THROTTLE NO.1	1	
16	58300-11J10	CABLE ASSY, THROTTLE NO.2	1	
17	09125-05042	SCREW (5X10)	1	

FIG.467A

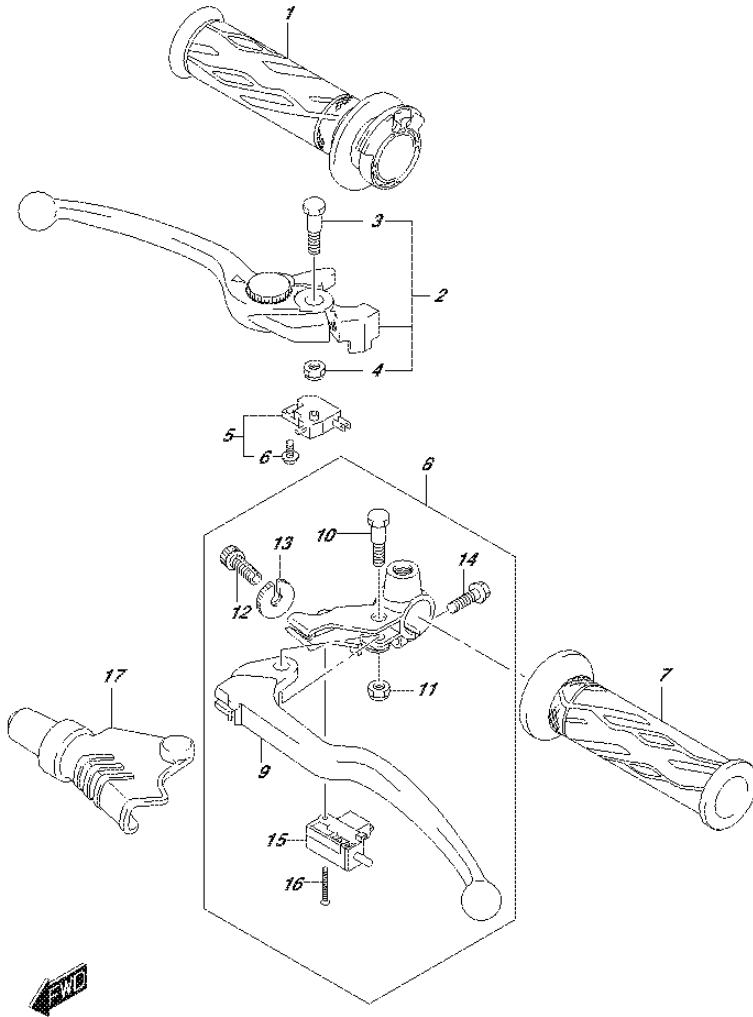


FIG.467A (1-E-9) HANDLE LEVER

REF NO.	PART NO.	DESCRIPTION	Q'TY	REMARKS
1	57110-21H01	GRIP, THROTTLE	1	
2	57300-44G12	LEVER ASSY, BRAKE	1	
3	57431-17H02	.BOLT, PIVOT	1	
4	08319-2106A	.NUT	1	
5	57460-14J01	SWITCH ASSY, FRONT BRAKE	1	
6	57465-17C00	.SCREW	1	
7	57211-21H00	GRIP, LH	1	
8	57500-25D00	LEVER ASSY, CLUTCH	1	
9	57621-40F00	.LEVER ASSY, CLUTCH	1	
10	57431-45C01	.BOLT, PIVOT	1	
11	08319-2106B	.NUT	1	
12	57441-45C00	.ADJUSTER WIRE	1	
13	57442-45C00	.NUT, LOCK	1	
14	01547-0620B	.BOLT	1	
15	57560-05A00	.SWITCH, CLUTCH	1	
16	02122-0320A	.SCREW	1	
17	57661-33E00	COVER, CLUTCH LEVER	1	

FIG.474A

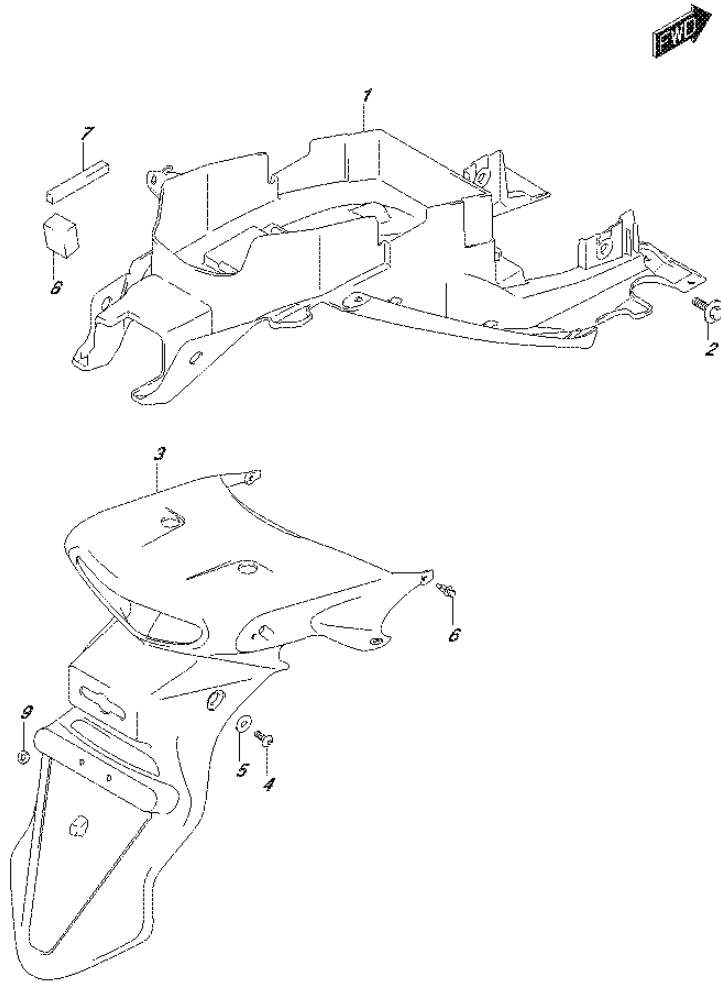
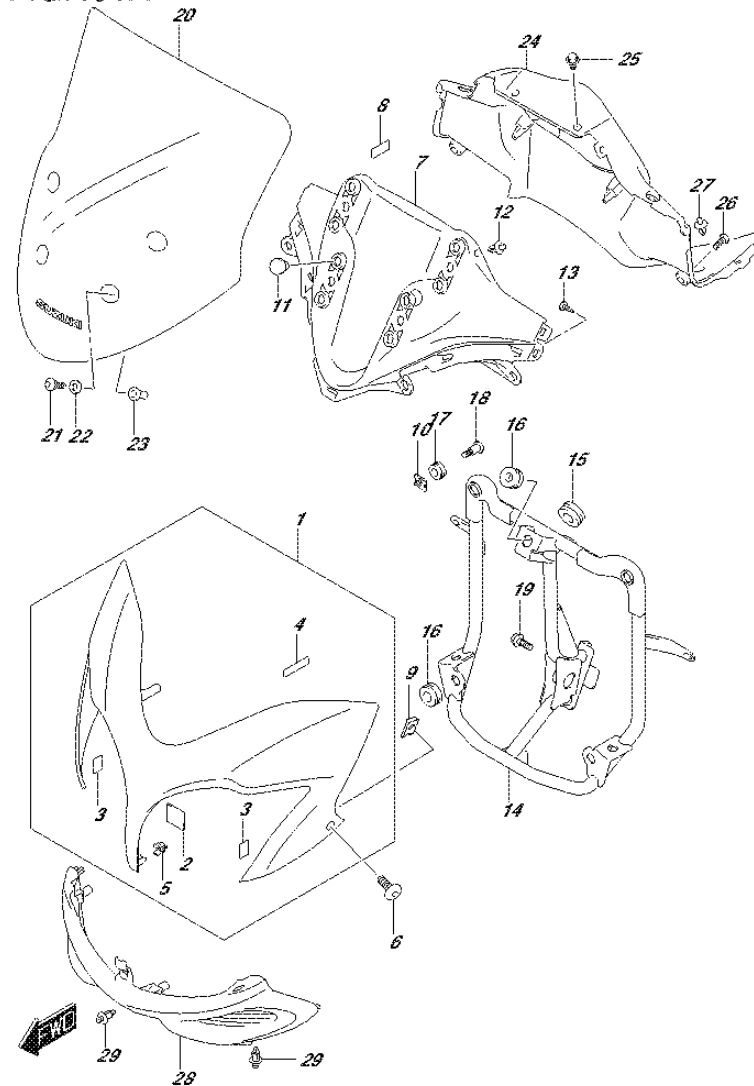


FIG.474A (1-E-10) REAR FENDER

REF NO.	PART NO.	DESCRIPTION	Q'TY	REMARKS
1	63111-11J10	FENDER, REAR FRONT	1	
2	09116-06181	BOLT (6X13)	2	
3	63112-11J00-291	FENDER, REAR (BLACK)	1	
4	09139-06140	SCREW (6X16)	2	
5	09160-06156	WASHER (6.5X18X1.6)	2	
6	09409-06314-5PK	CLIP (BLACK)	4	
7	45518-16G00	CUSHION, REAR FENDER FRONT	1	
8	63121-11J00	CUSHION, REAR FENDER REAR	1	
9	08322-0106B	WASHER	2	

FIG.481A



DL650AL5_E99_481A
COWLING BODY

FIG.481A (1-E-11) COWLING BODY

REF NO.	PART NO.	DESCRIPTION	Q'TY	REMARKS
1-1	94410-11J00-RB5	BODY, COWLING (WHITE)	1	
1-2	94410-11J00-YYG	BODY, COWLING (RED)	1	
1-3	94410-11J00-YSF	BODY, COWLING (BLUE)	1	
1-4	94410-11J00-PGZ	BODY, COWLING (GRAY)	1	
2	44572-02F01	.FASTENER	1	
3	44572-37H00	.FASTENER, COWLING	2	
4	94443-06G00	.TAPE, FRONT PANEL	4	
5	09409-08326	.CLIP	1	
6	09139-05064	SCREW (5X13)	2	
7	94414-11J00	PANEL, FRONT	1	
8	94612-31F00	CUSHION, FRONT PANEL	2	
9	09148-05052	NUT	2	
10	09148-06020	NUT	2	
11	09250-10010	CAP (OD:15)	8	
12	09409-06329	CLIP	2	
13	03241-0512B	SCREW	2	
14	94510-11J01	BRACE, COWLING	1	
15	34955-13E00	CUSHION, BRACE COWLING	1	
16	09320-08028	CUSHION	3	
17	09320-09016	CUSHION	2	
18	09139-06126	SCREW (6X20)	2	
19	01550-0820A	BOLT	2	
20	94611-11J00	WINDSCREEN	1	
21	09139-05032	SCREW (5X18)	4	
22	09160-05048	WASHER (5.5X14X1.2)	4	
23	09159-05019	NUT	4	
24	94631-11J00	PANEL, METER	1	
25	09139-05074	BOLT (5X13)	4	
26	09139-06120	SCREW (6X16)	2	
27	09409-06329	CLIP	2	
28	94461-11J00	COVER, COWLING INNER	1	
29	09409-06329	CLIP	2	

DL650AL5_E99

FIG.485A

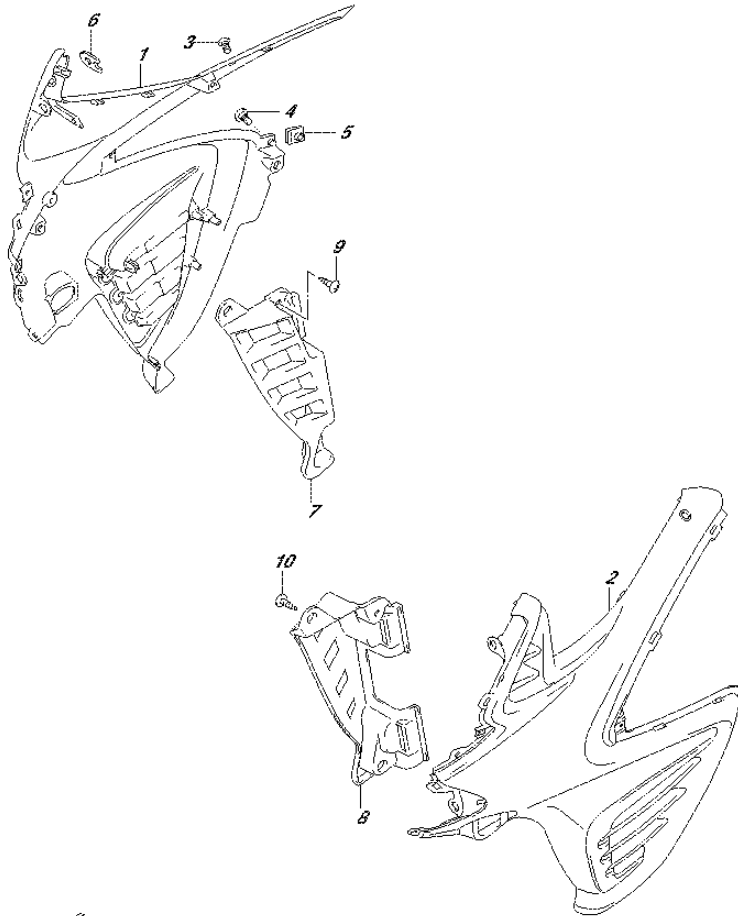


FIG.485A (1-E-12) SIDE COWLING

REF NO.	PART NO.	DESCRIPTION	Q'TY	REMARKS
1	94421-11J00	COWLING, SIDE RH	1	
2	94431-11J00	COWLING, SIDE LH	1	
3	09139-06051	SCREW (6X10)	2	
4	09139-06144	SCREW (6X12)	2	
5	09148-05052	NUT	6	
6	09148-06020	NUT	2	
7	94462-11J01	COVER, INNER RH	1	
8	94463-11J01	COVER, INNER LH	1	
9	03241-0512B	SCREW	3	RH
10	03541-0516A	SCREW	3	LH

FIG.496A

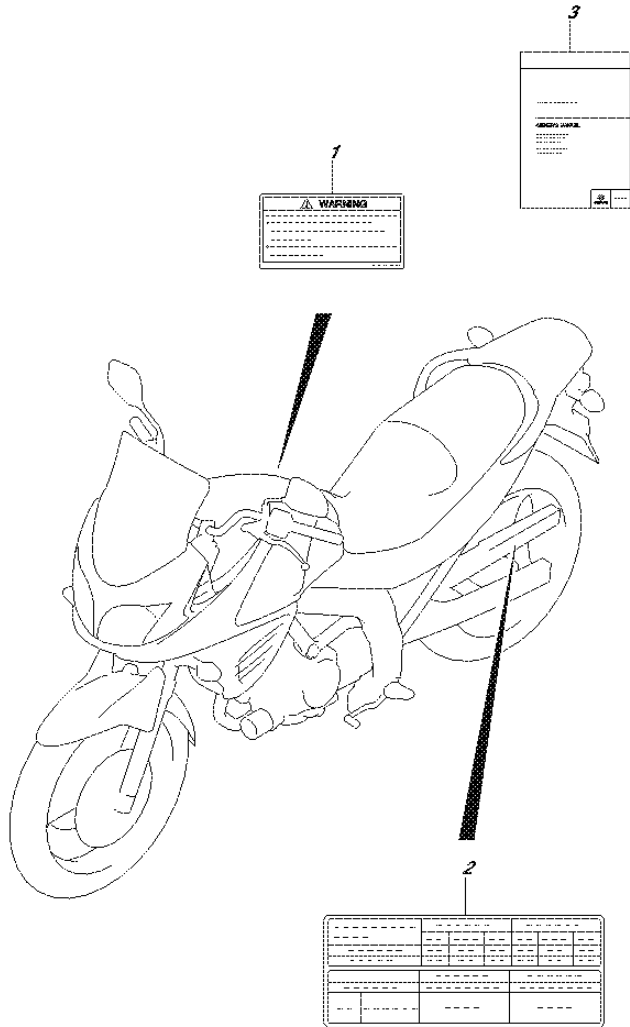


FIG.496A (1-E-13) LABEL

REF NO.	PART NO.	DESCRIPTION	Q'TY	REMARKS
1-1	68319-49J00	LABEL, WARNING (ENGLISH)	1	
1-2	68319-49J50	LABEL, WARNING (SPANISH)	1	
1-3	68319-49JG0	LABEL, WARNING (KOREAN)	1	
2-1	68332-11JA0	LABEL, TIRE INFORMATION (ENGLISH)	1	
2-2	68332-11J70	LABEL, TIRE INFORMATION (SPANISH)	1	
2-3	68332-11J80	LABEL, TIRE INFORMATION (KOREAN)	1	
3-1	99011-11J63-01A	MANUAL, OWNER'S (ENGLISH)	1	
3-2	99011-11J63-029	MANUAL, OWNER'S (SPANISH)	1	
3-3	99011-11J63-068	MANUAL, OWNER'S (KOREAN)	1	

FIG.505A

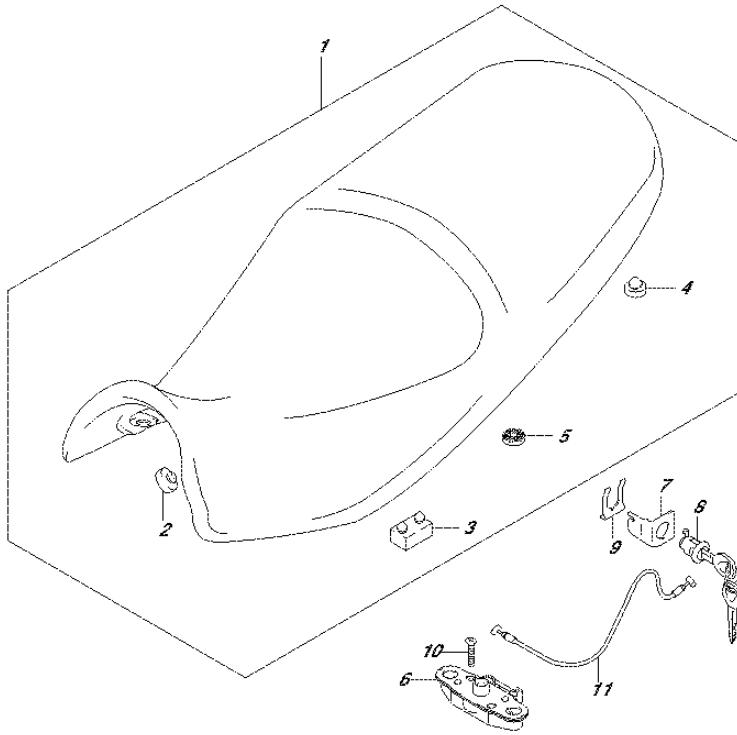


FIG.505A (1-E-14) SEAT

REF NO.	PART NO.	DESCRIPTION	Q'TY	REMARKS
1	45100-11J00-KCJ	SEAT ASSY (BLACK/RED)	1	
2	45148-36C00	.CUSHION, SEAT FRONT	2	
3	45149-31300	.CUSHION, SEAT	4	
4	09321-10012	.CUSHION	2	
5	45213-13601	.CUSHION, SEAT LOCK STRIKER	2	
6	45220-47H00	BRACKET, SEAT SUPPORT REAR	1	
7	45288-14F00	GUIDE, SEAT LOCK CABLE	1	
8	95700-14810	LOCK SET, SEAT	1	
9	45289-11F00	PLATE, SEAT LOCK ASSY	1	
10	02122-0630A	SCREW	2	
11	45280-11J00	CABLE, SEAT LOCK	1	



FIG.521A

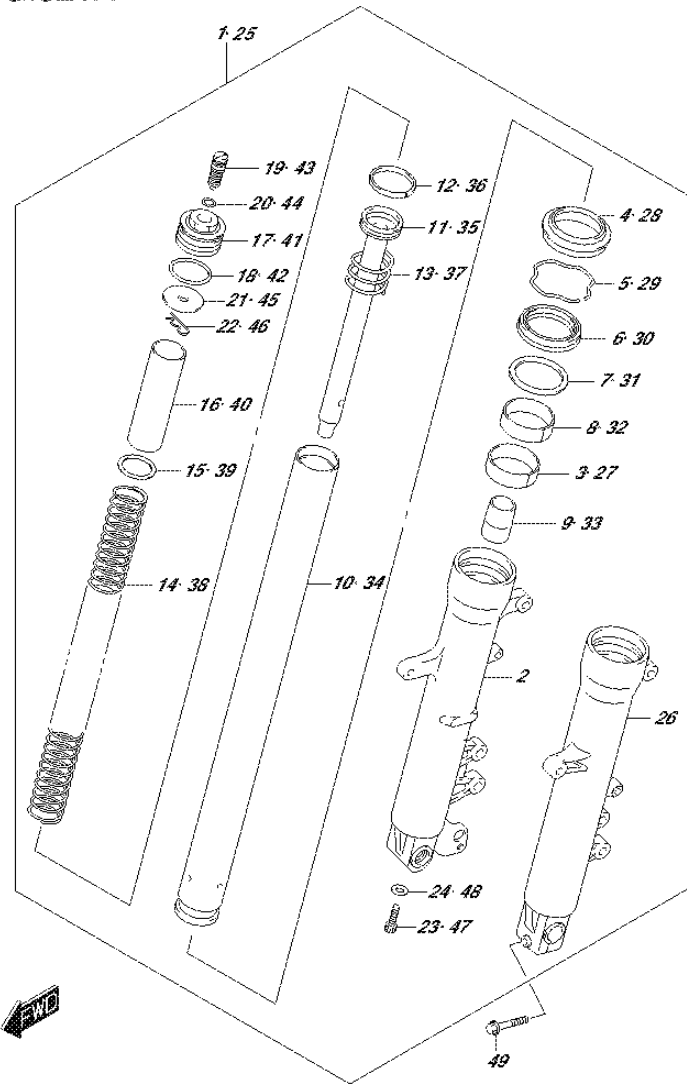


FIG.521A (1-E-15) FRONT FORK DAMPER

REF NO.	PART NO.	DESCRIPTION	Q'TY	REMARKS
1	51103-11J00	DAMPER ASSY, FRONT FORK RH	1	
2	51131-11J00	.TUBE, OUTER RH	1	
3	51121-11J00	.BUSH, SLIDE	1	
4	51173-27G00	.SEAL, DUST	1	
5	51556-38B00	.RING, STOPPER	1	
6	51553-47H00	.OIL SEAL	1	
7	51168-17C00	.SPACER, SEAL	1	
8	51152-47H00	.BUSH, GUIDE	1	
9	51195-27G00	.PIECE, OIL LOCK	1	
10	51110-11J00	.PIPE, FORK	1	
11	51146-11J00	.PIPE SEAT	1	
12	51196-27G00	.RING, PISTON	1	
13	51177-14D00	.SPRING, REBOUND	1	
14	51171-11J00	.SPRING, FRONT	1	
15	51186-17C00	.SEAT, SPRING, LOWER	1	
16	51176-19C00	.COLLAR, SPRING	1	
17	51189-27G00	.BOLT, FORK	1	
18	51117-17C00	.O RING	1	
19	51185-27G00	ADJUSTER BOLT, SPRING	1	
20	51187-14D00	.O RING	1	
21	51186-12C00	.SEAT, SPRING	1	
22	51188-32B00	.PIN, SEAT SPRING	1	
23	51147-48130	.BOLT	1	
24	51148-31030	.GASKET	1	

FIG.521A

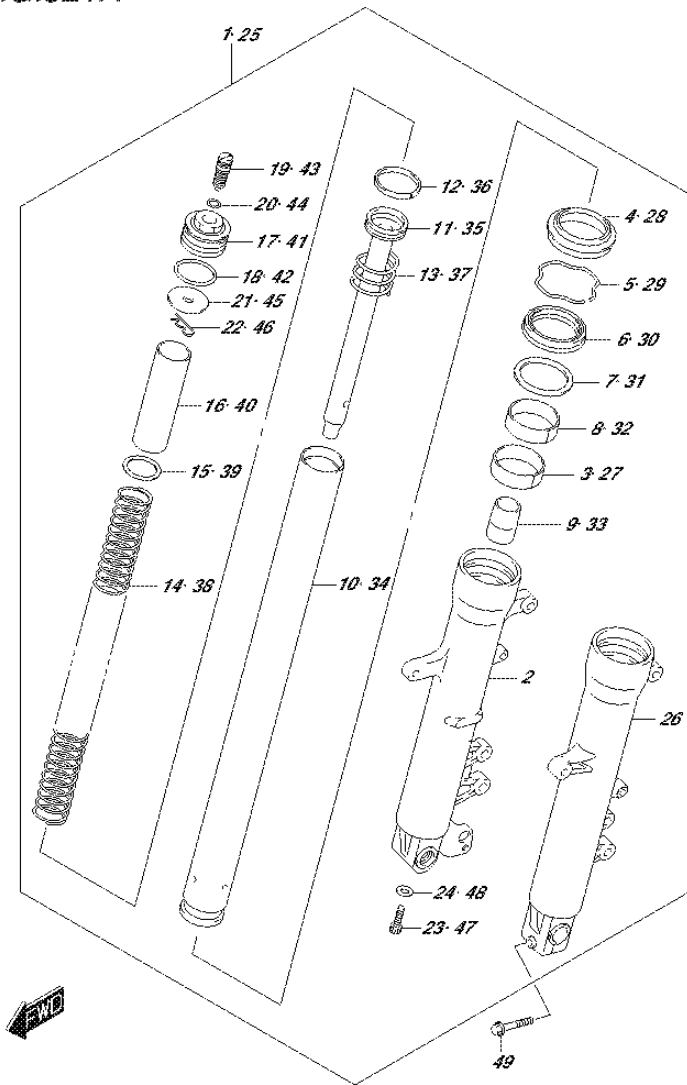


FIG.521A (1-F-2) FRONT FORK DAMPER

REF NO.	PART NO.	DESCRIPTION	Q'TY	REMARKS
25	51104-11J00	DAMPER ASSY, FRONT FORK LH	1	
26	51141-11J00	.TUBE, OUTER LH	1	
27	51121-11J00	.BUSH, SLIDE	1	
28	51173-27G00	.SEAL, DUST	1	
29	51556-38B00	.RING, STOPPER	1	
30	51553-47H00	.OIL SEAL	1	
31	51168-17C00	.SPACER, SEAL	1	
32	51152-47H00	.BUSH, GUIDE	1	
33	51195-27G00	.PIECE, OIL LOCK	1	
34	51110-11J00	.PIPE, FORK	1	
35	51146-11J00	.PIPE SEAT	1	
36	51196-27G00	.RING, PISTON	1	
37	51177-14D00	.SPRING, REBOUND	1	
38	51171-11J00	.SPRING, FRONT	1	
39	51186-17C00	.SEAT, SPRING, LOWER	1	
40	51176-19C00	.COLLAR, SPRING	1	
41	51189-27G00	.BOLT, FORK	1	
42	51117-17C00	.O RING	1	
43	51185-27G00	ADJUSTER BOLT, SPRING	1	
44	51187-14D00	.O RING	1	
45	51186-12C00	.SEAT, SPRING	1	
46	51188-32B00	.PIN, SEAT SPRING	1	
47	51147-48130	.BOLT	1	
48	51148-31030	.GASKET	1	
49	51328-27E30	BOLT	1	LH

FIG.524A

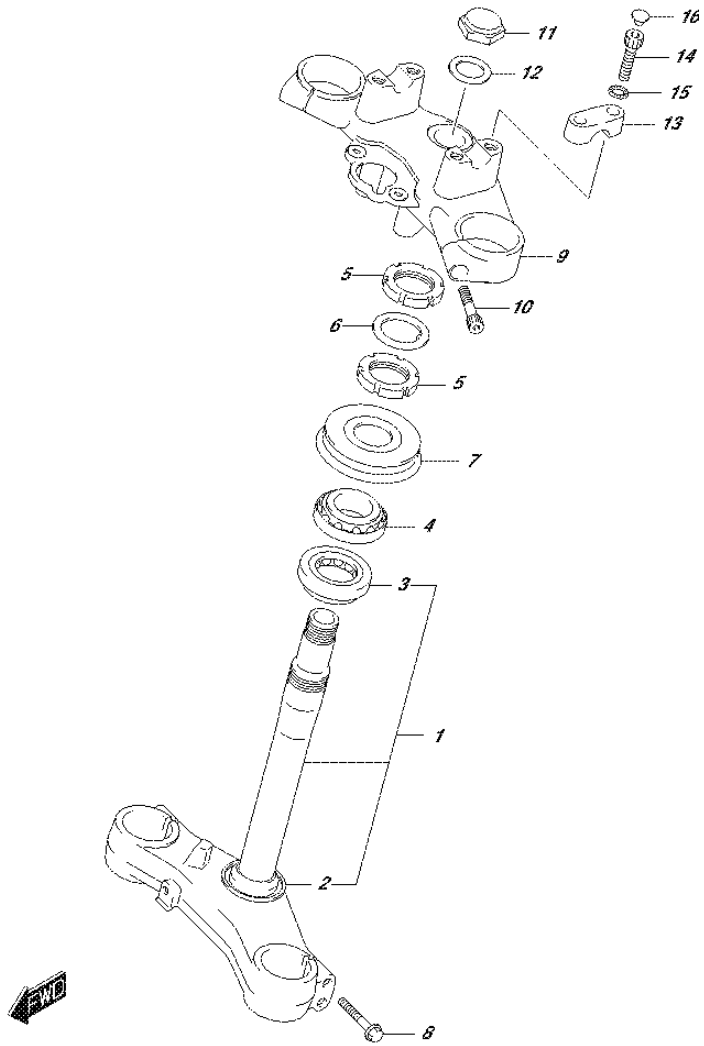


FIG.524A (1-F-3) STEERING STEM

REF NO.	PART NO.	DESCRIPTION	Q'TY	REMARKS
1	51410-27G30	STEM, STEERING	1	
2	51644-12C00	.SEAL, STEERING LOWER	1	
3	09267-30010	.BEARING (30X55X17)	1	
4	09267-30010	BEARING (30X55X17)	1	
5	51631-33E00	NUT	2	
6	51641-33E00	WASHER	1	
7	51643-33E00	SEAL, STEERING UPPER, DUST	1	
8	51328-27E30	BOLT	4	
9	51311-11J00	BRACKET UPPER	1	
10	51166-38B40	BOLT	2	
11	51353-27G00	NUT	1	
12	51354-06G00	WASHER	1	
13	56211-06G40	HOLDER, HANDLE UPPER	2	
14	51321-10F00	BOLT	4	
15	09164-08015	WASHER	4	
16	09250-06011	CAP (OD:11)	4	

FIG.530A

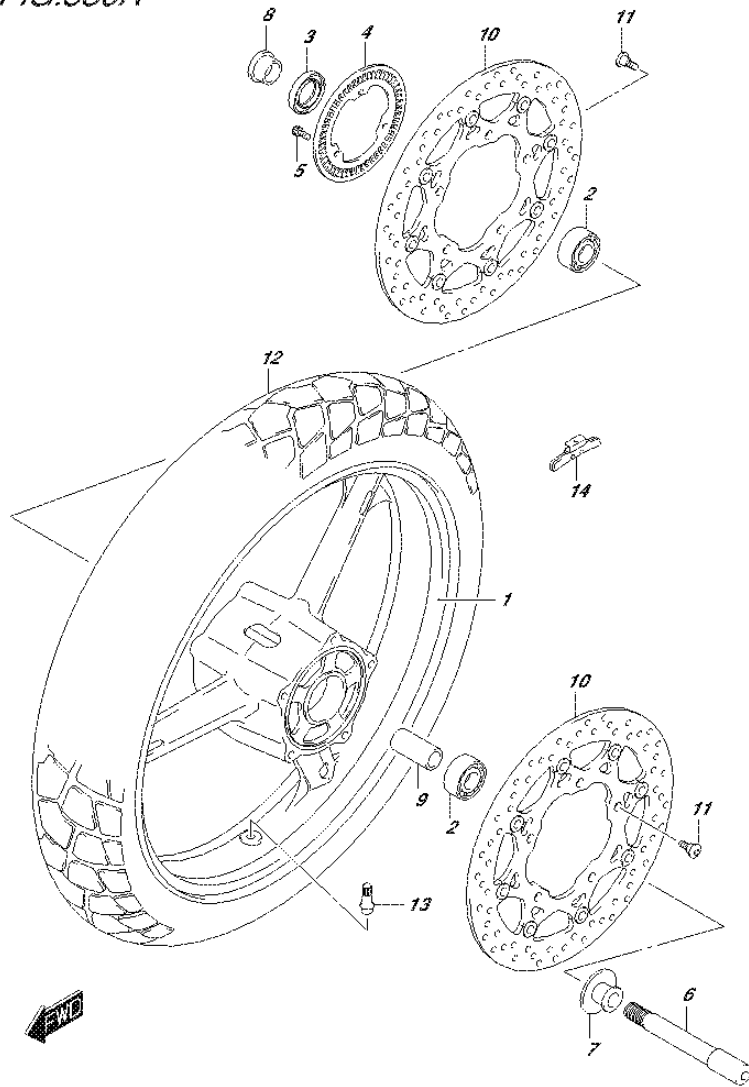


FIG.530A (1-F-4) FRONT WHEEL

REF NO.	PART NO.	DESCRIPTION	Q'TY	REMARKS
1	54111-27G40-019	WHEEL, FRONT (19M/CXMT2.50) (BLACK)	1	
2	08133-62037	BEARING	2	
3	09282-24004	OIL SEAL (24X40X7)	1	
4	54162-27G00	RING, SPEED SENSOR FR (50T)	1	
5	07130-0512A	BOLT	3	
6	54711-08F10	AXLE, FRONT	1	
7	54750-31F00	SPACER, FRONT AXLE LH	1	
8	54751-10G01	SPACER, FRONT AXLE RH	1	
9	09180-17067	SPACER (17.5X25X88)	1	
10	59210-44G11	DISC, FRONT BRAKE	2	
11	09106-08160	BOLT (8X21)	10	
12	55110-06G11	TIRE, FRONT (110/80R19M/C 59H)	1	
13	43130-24A00	VALVE ASSY, WHEEL RIM (TR412)	1	
14-1	43222-73H10	BALANCER, WHEEL NO.1	AR	10G
14-2	43224-73H10	BALANCER, WHEEL NO.2	AR	20G
14-3	43226-73H10	BALANCER, WHEEL NO.3	AR	30G

FIG.533A

FIG.533A (1-F-5) HYDRAULIC UNIT

REF NO.	PART NO.	DESCRIPTION	Q'TY	REMARKS
1	55610-11J01	UNIT ASSY, HYDRAULIC ABS	1	
2	55660-11J00	HOLDER, HYDRAULIC UNIT ABS	1	
3	01550-0612A	BOLT	2	
4	09116-06171	BOLT (6X30)	1	
5	09116-06176	BOLT (6X37)	2	
6	09180-06296	SPACER (6.5X10X20)	3	
7	09320-10061	CUSHION	3	
8	55667-27G10	COVER, HYDRAULIC UNIT	1	
9	09111-06066	BOLT (6X16)	1	
10	09409-08308-5ES	CLIP (BLACK)	2	
11	55710-11J00	SENSOR, FR WHEEL ABS	1	
12	01550-0816A	BOLT	1	
13	65710-11J00	SENSOR, RR WHEEL ABS	1	
14	01550-0816A	BOLT	1	
15	09407-14407	CLAMP (L:145)	2	
16	09408-00266	CLAMP	5	
17	34938-14F00	GUIDE, SENSOR LEAD	1	
18	01547-0612A	BOLT	1	

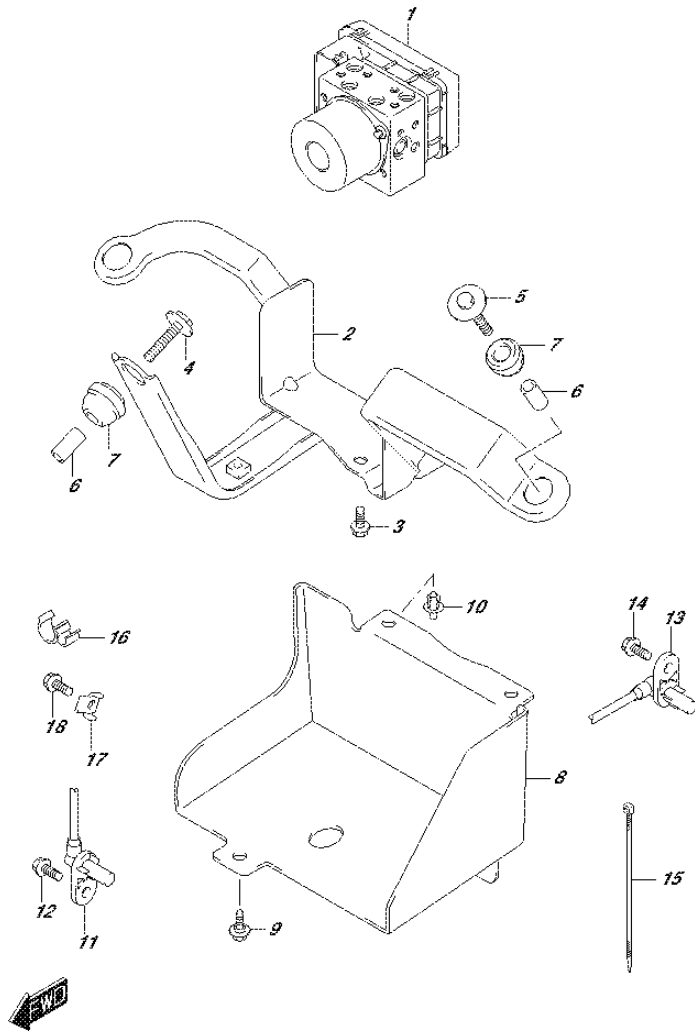


FIG.535A

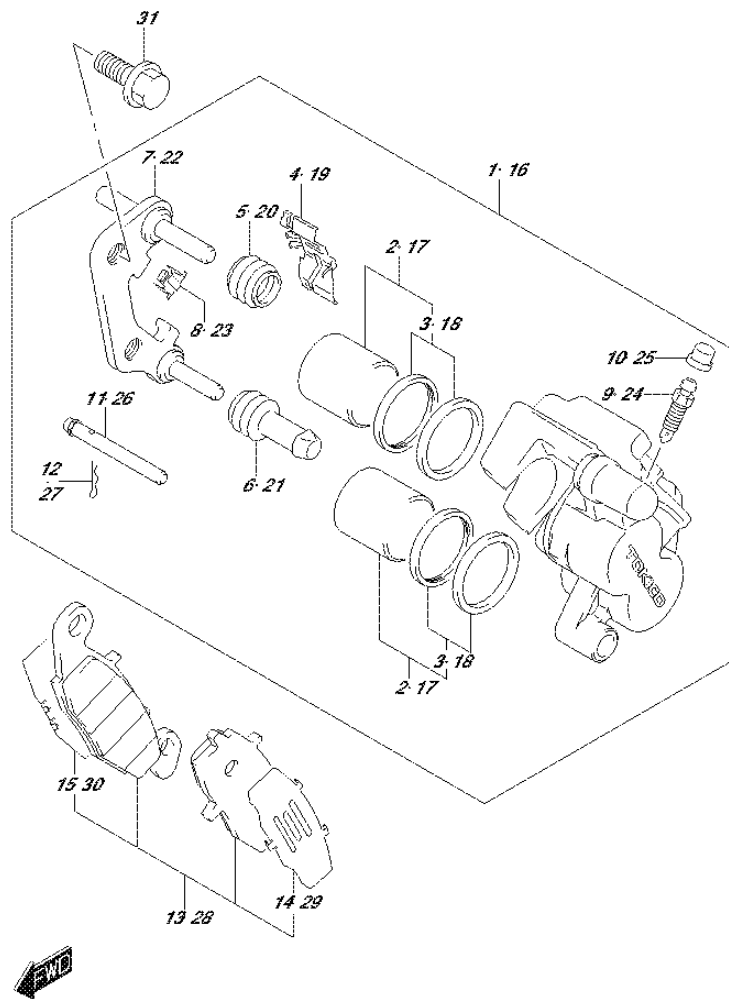


FIG.535A (1-F-6) FRONT CALIPER

REF NO.	PART NO.	DESCRIPTION	Q'TY	REMARKS
1	59100-33DF1-999	CALIPER ASSY, FRONT RH	1	
2	59300-01820	.PISTON SET	1	
3	59100-04851	..SEAL SET, PISTON	1	
4	59115-33D00	.SPRING RH	1	
5	59112-44B00	.BOOT	1	
6	59313-36500	.INSULATOR	1	
7	59150-33D01	.CARRIER, CALIPER RH	1	
8	59116-33D00	.GUIDE	1	
9	59121-18410	.BLEEDER	1	
10	55156-66310	.CAP	1	
11	59141-44B01	.PIN	1	
12	69142-45000	.CLIP	1	
13	59102-33870	PAD & SHIM SET RH	1	
14	59171-33D00	.SHIM	1	
15	59172-33D00	.SHIM, NO.2	1	
16	59300-33DF1-999	CALIPER ASSY, FRONT LH	1	
17	59300-01820	.PISTON SET	1	
18	59100-04851	..SEAL SET, PISTON	1	
19	59315-33D00	.SPRING LH	1	
20	59112-44B00	.BOOT	1	
21	59313-36500	.INSULATOR	1	
22	59350-33D01	.CARRIER, CALIPER LH	1	
23	59116-33D00	.GUIDE	1	
24	59121-18410	.BLEEDER	1	
25	55156-66310	.CAP	1	
26	59141-44B01	.PIN	1	
27	69142-45000	.CLIP	1	
28	59302-33850	PAD & SHIM SET LH	1	
29	59171-33D00	.SHIM	1	
30	59172-33D00	.SHIM, NO.2	1	
31	01550-1025A	BOLT	4	

FIG.536A

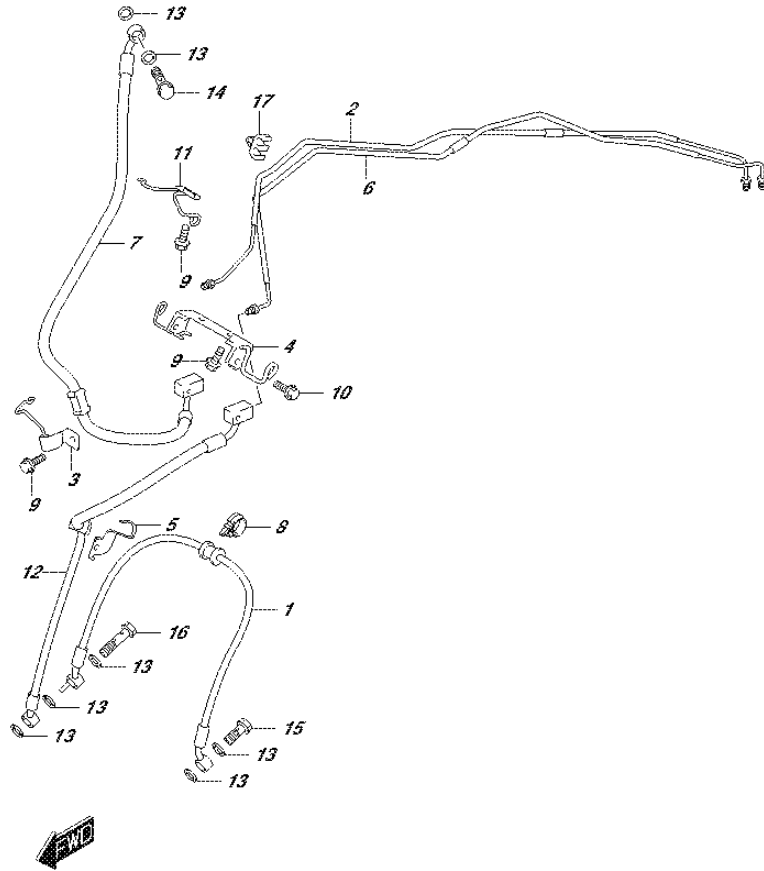


FIG.536A (1-F-7) FRONT BRAKE HOSE

REF NO.	PART NO.	DESCRIPTION	Q'TY	REMARKS
1	59240-11J00	HOSE, FRONT BRAKE NO.2	1	
2	59250-11J00	PIPE, FRONT BRAKE NO.1	1	
3	59260-06G10	CLAMP, FRONT BRAKE HOSE NO.1	1	
4	59260-11J00	CLAMP, FRONT BRAKE HOSE NO.2	1	
5	59268-11J00	CLAMP, FRONT BRAKE HOSE RH	1	
6	59450-11J00	PIPE, FRONT BRAKE NO.2	1	
7	59480-11J00	HOSE, FRONT BRAKE NO.1	1	
8	09403-16412	CLAMP	1	
9	01547-0612A	BOLT	4	
10	01547-0616A	BOLT	2	
11	59540-11J00	GUIDE, FR BRAKE HOSE	1	
12	59560-11J00	HOSE, FRONT BRAKE NO.3	1	
13	09161-10009	WASHER (10X15X1.5)	7	
14	09360-10062	UNION	1	
15	09360-10062	UNION	1	
16	09360-10064	UNION	1	
17	09403-07334	CLAMP	1	

FIG.537A

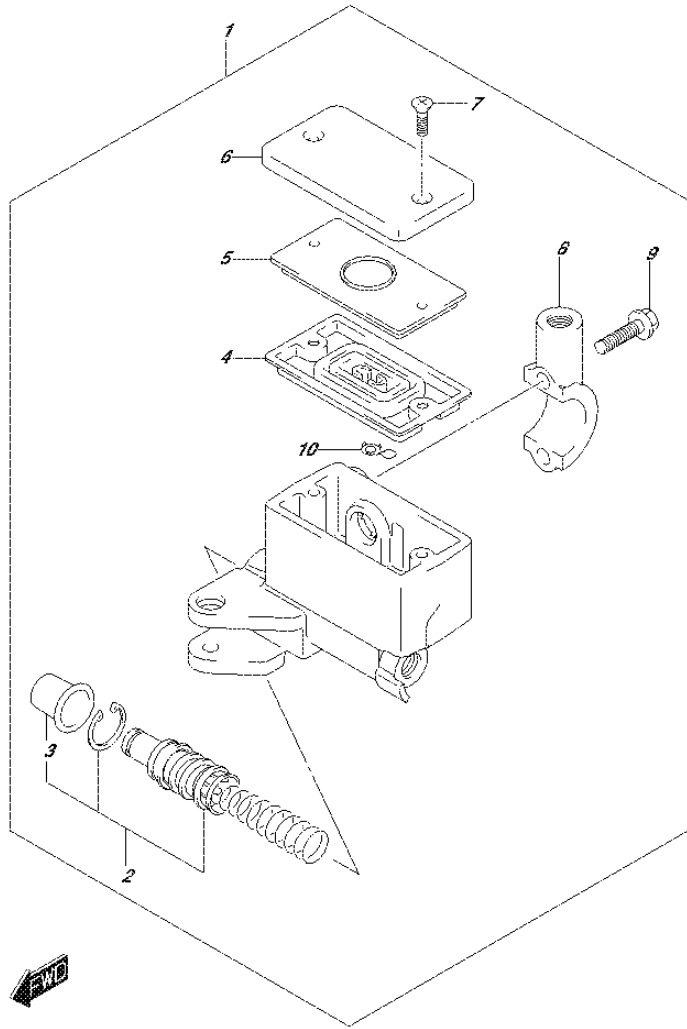


FIG.537A (1-F-8) FRONT MASTER CYLINDER

REF NO.	PART NO.	DESCRIPTION	Q'TY	REMARKS
1	59600-10G30	CYLINDER ASSY, FRONT MASTER	1	
2	59600-45870	.PISTON/CUP SET	1	
3	59666-44300	.BOOT	1	
4	59667-49460	.DIAPHRAGM	1	
5	59668-41C00	.PLATE, DIAPHRAGM	1	
6	59669-10G00	.CAP	1	
7	69689-49300	.SCREW	2	
8	59671-32F00	.HOLDER	1	
9	59675-02FA0	.BOLT (6X22)	2	
10	59664-32F00	.PROTECTOR	1	

FIG.541A

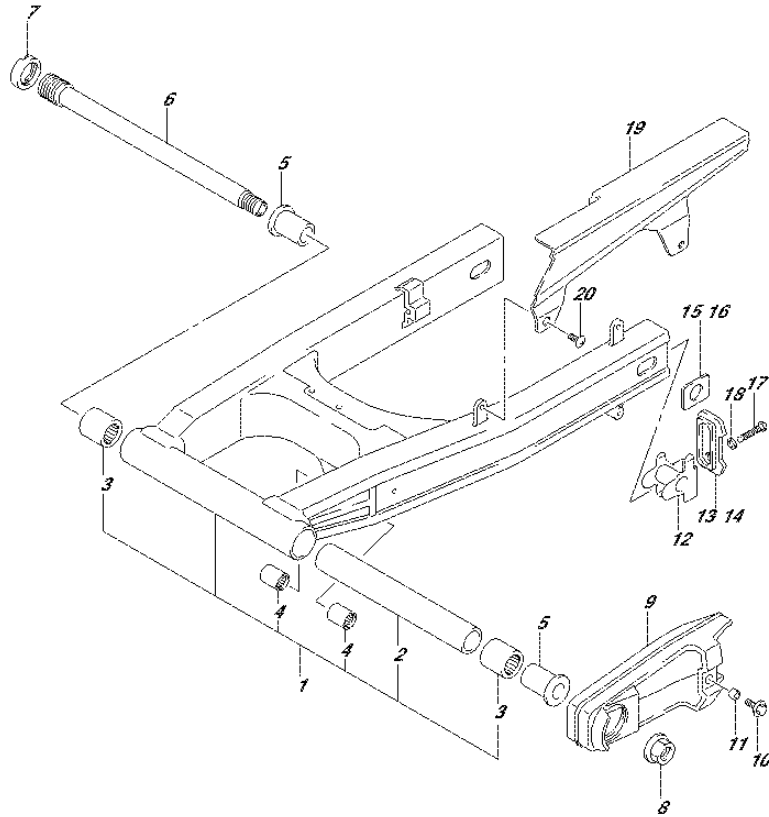


FIG.541A (1-F-9) REAR SWINGARM

REF NO.	PART NO.	DESCRIPTION	Q'TY	REMARKS
1	61000-27G30-YAP	SWINGARM ASSY, REAR (BLACK)	1	
2	09180-20118	.SPACER (20.8X27.2X196.7)	1	
3	09263-25059	.BEARING (25X33X35)	2	
4	09263-17037	.BEARING (17X24X25)	2	
5	61251-31E00	SPACER, SWINGARM	2	
6	61211-06G00	SHAFT, RR SWINGARM PIVOT	1	
7	61214-19F10	NUT, PIVOT SHAFT	1	
8	08319-3118A	NUT	1	
9	61273-27G00	BUFFER, CHAIN TOUCH DEFENSE	1	
10	09116-06152	BOLT (6X20)	1	
11	09180-06283	SPACER (6.5X10X7)	1	
12	61410-03F00	ADJUSTER, CHAIN	2	
13	61421-33D01	PLATE, CHAIN ADJUSTER GUIDE RH	1	
14	61422-33D01	PLATE, CHAIN ADJUSTER GUIDE LH	1	
15	64712-03F00	WASHER, CHAIN ADJUSTER RH	1	
16	64713-03F00	WASHER, CHAIN ADJUSTER LH	1	
17	09106-08119	BOLT (8X50)	2	
18	09164-08015	WASHER	2	
19	61310-16G00	CASE, CHAIN	1	
20	09139-06083	SCREW (6X16)	2	



FIG.543A

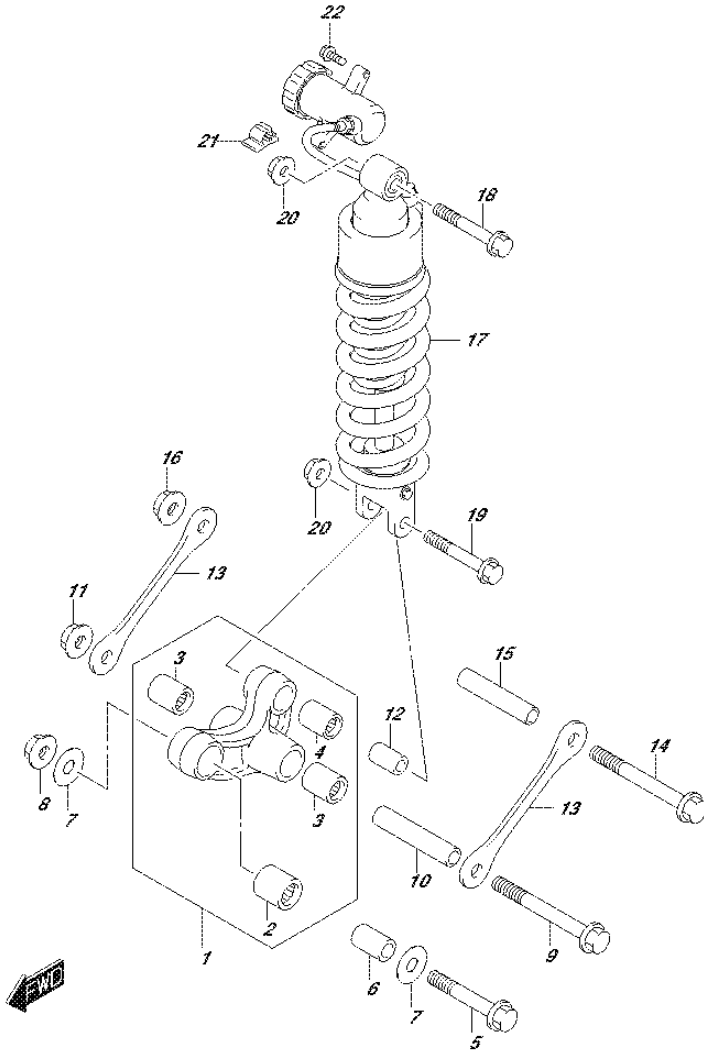
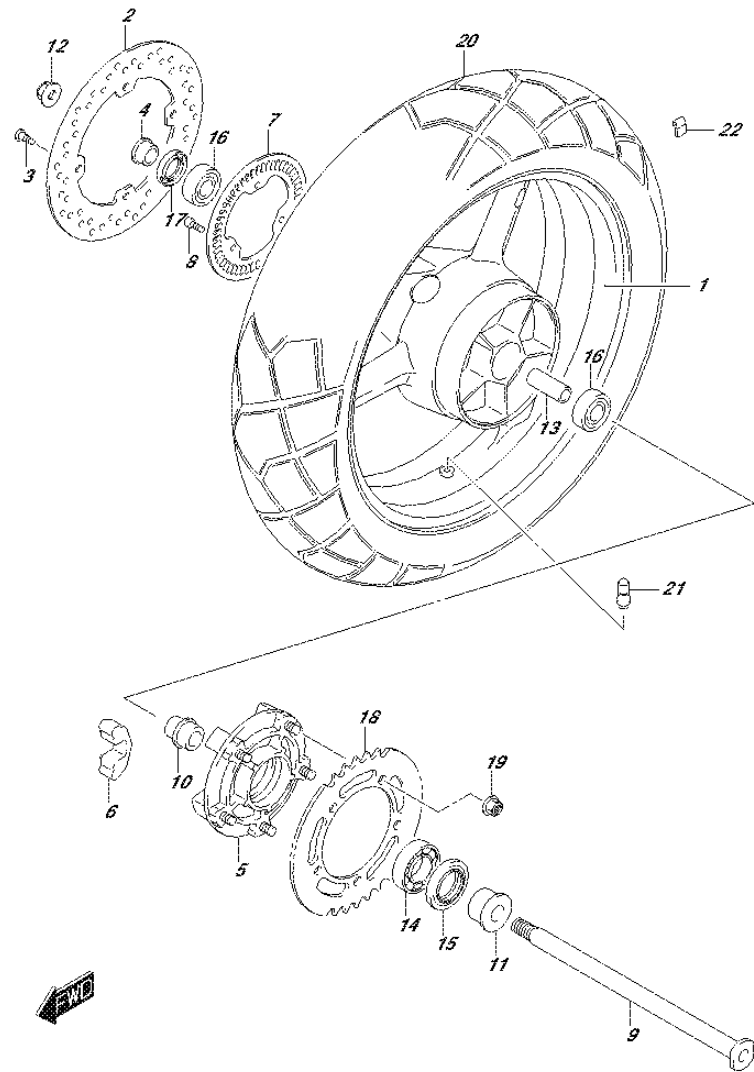


FIG.543A (1-F-10) REAR CUSHION LEVER

REF NO.	PART NO.	DESCRIPTION	Q'TY	REMARKS
1	62600-06870	LEVER SET, REAR CUSHION	1	
2	09263-20073	.BEARING (20X27X30)	1	FRONT
3	09263-17037	.BEARING (17X24X25)	2	CENTER
4	09263-17034	.BEARING (17X24X26)	1	REAR
5	62658-19F00	BOLT, FRONT (12X78)	1	
6	62684-12C00	SPACER, FRONT (12X20X32)	1	
7	09160-12037	WASHER (12X34X1)	2	
8	09159-12056	NUT	1	
9	62621-19D00	BOLT, RR CUSHION ROD	1	
10	09180-12122	SPACER (12X17X85)	1	CENTER
11	09159-12056	NUT	1	
12	62684-40A10	SPACER, REAR (10X17X30)	1	
13	62641-06G00	ROD, REAR CUSHION	2	
14	62621-19D00	BOLT, RR CUSHION ROD	1	
15	09180-12122	SPACER (12X17X85)	1	ROD
16	09159-12056	NUT	1	
17	62100-06GG0-019	ABSORBER ASSY, REAR SHOCK (BLACK)	1	
18	09103-10033	BOLT (10X70)	1	UPPER
19	09103-10143	BOLT (10X55)	1	LOWER
20	09159-10115	NUT	2	
21	09403-10313	CLAMP	1	
22	01550-0616A	BOLT	2	

FIG.550A



DL650AL5_E99_550A
REAR WHEEL

FIG.550A (1-F-11) REAR WHEEL

REF NO.	PART NO.	DESCRIPTION	Q'TY	REMARKS
1	64111-06G20-019	WHEEL, REAR (17M/CXMT4.00) (BLACK)	1	
2	69211-06G10	DISC, REAR BRAKE	1	
3	09106-08160	BOLT (8X21)	4	
4	64741-10F00	SPACER, REAR AXLE RH	1	
5	64610-35F40	DRUM, REAR SPROCKET	1	
6	64651-35F10	ABSORBER, REAR HUB SHOCK	5	
7	54162-27G00	RING, SPEED SENSOR FR (50T)	1	
8	07130-0512A	BOLT	3	
9	64711-03F00	AXLE, REAR	1	
10	64733-06G00	RETAINER, REAR SPROCKET DRUM	1	
11	64751-27G00	SPACER, REAR AXLE LH	1	
12	08319-3118A	NUT	1	
13	09180-20112	SPACER (20.8X27.2X124)	1	
14	09262-32022	BEARING (32X65X17)	1	
15	09285-39001	OIL SEAL (39X65X7)	1	
16	08123-62047	BEARING	2	
17	09285-28001	OIL SEAL (28X47X7)	1	
18	64511-27G00	SPROCKET, REAR (NT:47-525)	1	
19	08319-3110A	NUT	5	
20	65110-06G11	TIRE, REAR (150/70R17M/C 69H)	1	
21	43130-24A00	VALVE ASSY, WHEEL RIM (TR412)	1	
22-1	43222-73H10	BALANCER, WHEEL NO.1	AR	10G
22-2	43224-73H10	BALANCER, WHEEL NO.2	AR	20G
22-3	43226-73H10	BALANCER, WHEEL NO.3	AR	30G

DL650AL5_E99

FIG.555A

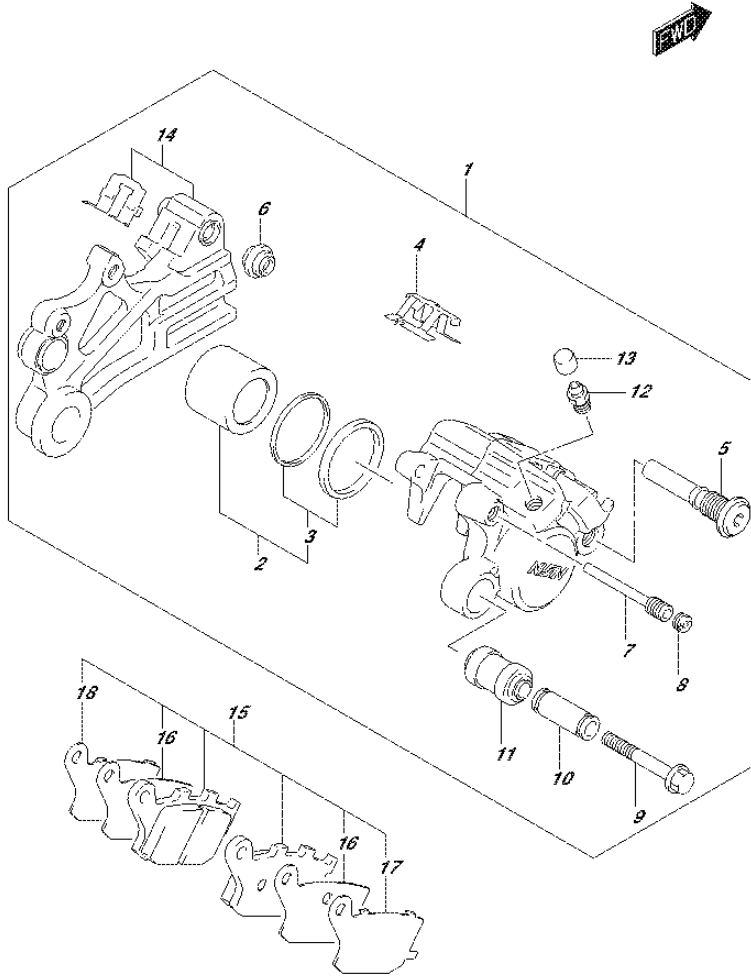
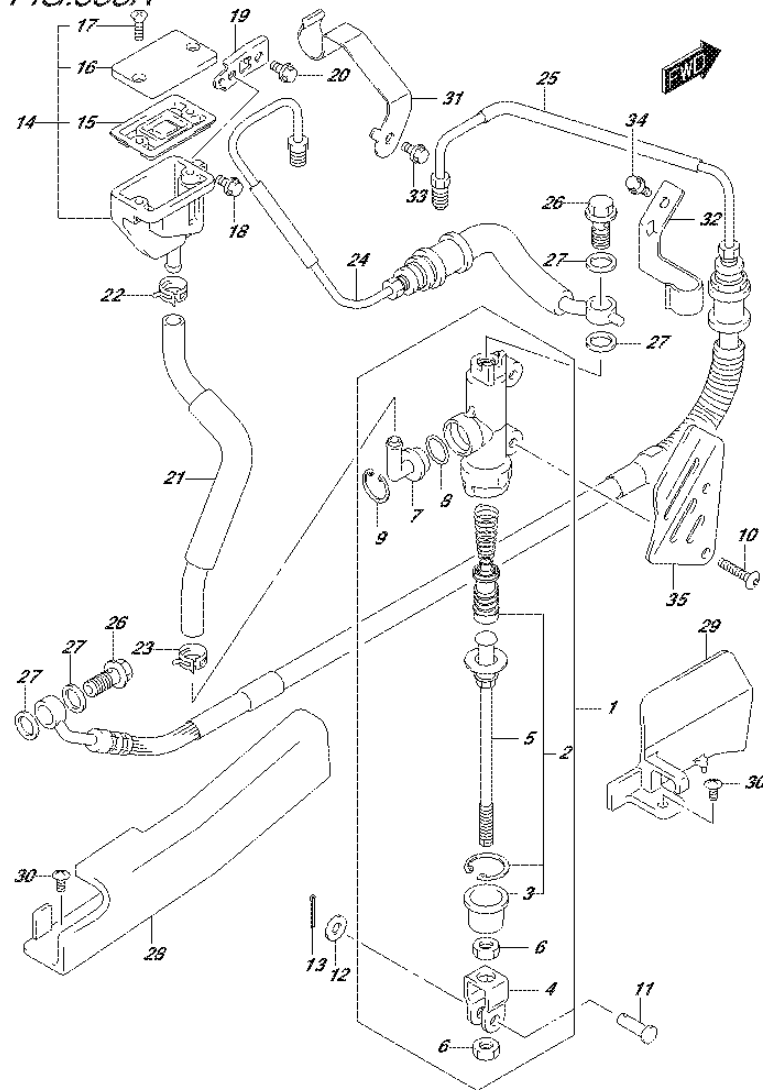


FIG.555A (1-F-12) REAR CALIPER

REF NO.	PART NO.	DESCRIPTION	Q'TY	REMARKS
1	69100-27G10-999	CALIPER ASSY, REAR	1	
2	69100-04810	.PISTON SET	1	
3	69100-04820	..SEAL SET, PISTON	1	
4	69115-06G00	.SPRING, PAD	1	
5	59305-36E00	.PIN, BOLT	1	
6	59303-14500	.BOOT	1	
7	69141-40F00	.PIN, HANGER	1	
8	59146-21E10	.PLUG	1	
9	69182-04F00	.BOLT	1	
10	69185-04F00	.SLEEVE	1	
11	69186-04F00	.BOOT	1	
12	59121-01A00	.BLEEDER	1	
13	59122-46H00	.CAP	1	
14	69150-27G00	.BRACKET	1	
15	69100-06830	PAD & RETAINER SET	1	
16	69132-06G00	.INSULATOR	2	
17	69133-06G00	.RETAINER	1	
18	69134-06G00	.RETAINER	1	

FIG.558A



DL650AL5_E99_558A
REAR MASTER CYLINDER

FIG.558A (1-F-13) REAR MASTER CYLINDER

REF NO.	PART NO.	DESCRIPTION	Q'TY	REMARKS
1	69600-06G00	CYLINDER ASSY, REAR MASTER	1	
2	69600-34820	.PISTON/CUP SET	1	
3	69691-00A00	.BOOT	1	
4	69692-19A00	.YOKE	1	
5	69670-03G00	.ROD, PUSH	1	
6	69693-05A00	.NUT	2	
7	69672-00B20	.CONNECTOR	1	
8	69686-34200	.O RING	1	
9	69674-00B20	.CIRCLIP	1	
10	09139-06029	SCREW (6X25)	2	
11	09200-06068	PIN (6X18.2)	1	
12	08322-0106B	WASHER	1	
13	04111-2015A	COTTER PIN	1	
14	69740-01D02	TANK ASSY, RESERVOIR	1	
15	59667-04700	.DIAPHRAGM	1	
16	59669-05D00	.CAP	1	
17	69689-04A00	.SCREW	2	
18	01547-0612A	BOLT	1	
19	69750-27G20	BRACKET, RR RESERVOIR TANK	1	
20	01547-0612A	BOLT	1	
21	69730-27G00	HOSE, RESERVOIR TANK	1	
22	09401-13417	CLIP	1	UPPER
23	09401-12404	CLIP	1	LOWER
24	69200-11J00	HOSE ASSY, RR BRAKE NO.1	1	
25	69400-11J00	HOSE ASSY, RR BRAKE NO.2	1	
26	09360-10062	UNION	2	
27	09161-10009	WASHER (10X15X1.5)	4	
28	61196-27G10	GUIDE, BRAKE HOSE	1	
29	61196-06G00	GUIDE, REAR BRAKE HOSE FRONT	1	
30	02142-0510A	SCREW	2	
31	69260-11J00	CLAMP, REAR BRAKE HOSE	1	
32	69266-27G00	CLAMP, RR BRAKE HOSE NO.2	1	
33	01547-0610B	BOLT	1	
34	01547-0612A	BOLT	1	
35	69641-06G00	COVER, REAR MASTER CYLINDER	1	

DL650AL5_E99

FIG.901A

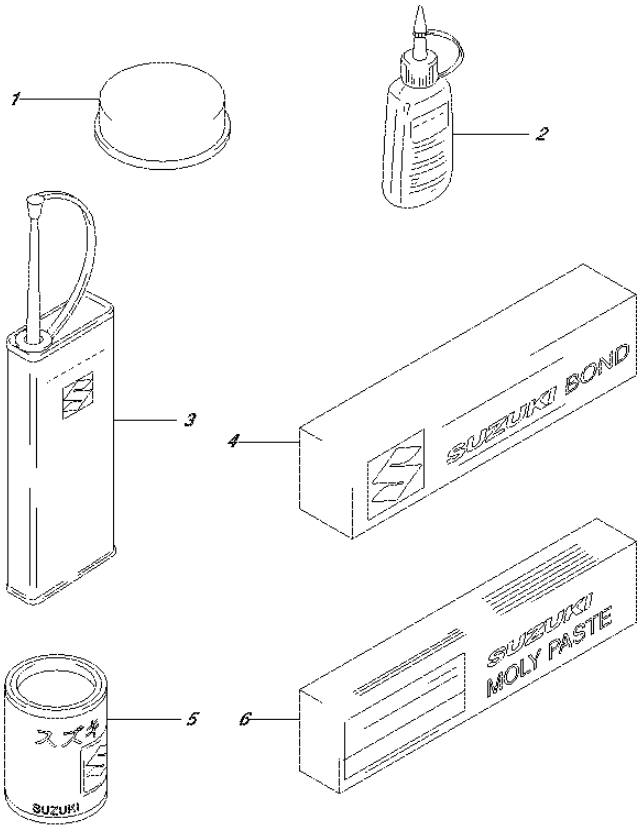


FIG.901A (1-F-14) OPTIONAL

REF NO.	PART NO.	DESCRIPTION	Q'TY	REMARKS
1	99000-25110	SUZUKI PBC GREASE	1	20G
2-1	99000-32020	THREAD LOCK SUPER (1333B)	1	50G
2-2	99000-32030	THREAD LOCK SUPER (1303B)	1	50G
2-3	99000-32050	THREAD LOCK SUPER (1342)	1	50G
2-4	99000-32100	THREAD LOCK SUPER (1305)	1	50G
2-5	99000-32130	THREAD LOCK SUPER (1360)	1	50G
3	99000-32040	THREAD LOCK CEMENT	1	200G
4-1	99000-31140	SUZUKI BOND (1207B) (BLACK)	1	100G
4-2	99000-31110	SUZUKI BOND (1215)	1	100G
5	99000-25030	SUZUKI SUPER GREASE	1	150G
6	99000-25140	SUZUKI MOLY PASTE	1	50G

FIG.906A

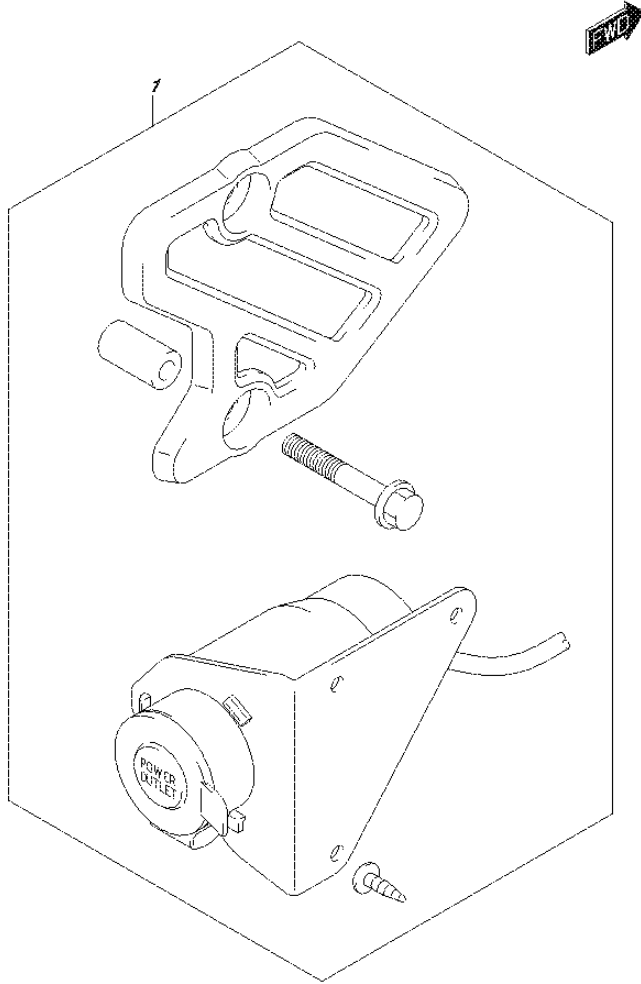


FIG.906A (1-F-15) POWER SOURCE TERMINAL SET (OPTIONAL)

REF NO.	PART NO.	DESCRIPTION	Q'TY	REMARKS
1	38800-09811	TERMINAL SET, POWER SOURCE	1	

FIG.908A

FIG.908A (1-G-2) LOW SEAT (OPTIONAL)

REF NO.	PART NO.	DESCRIPTION	Q'TY	REMARKS
1	45100-11J50-KCJ	SEAT ASSY (BLACK/RED)	1	

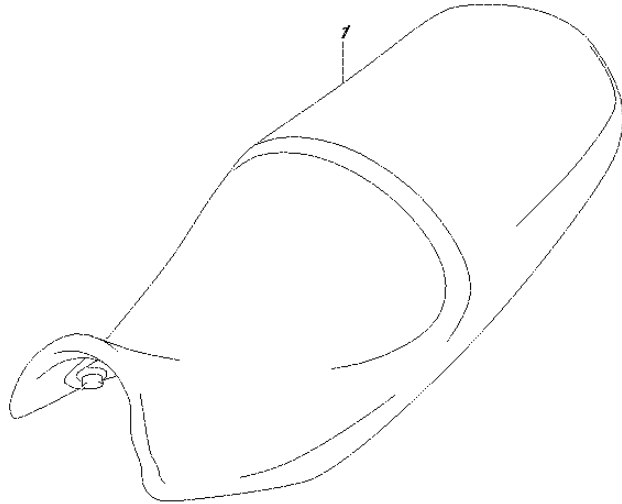


FIG.909A

FIG.909A (1-G-3) HIGH SEAT (OPTIONAL)

REF NO.	PART NO.	DESCRIPTION	Q'TY	REMARKS
1	45100-11J60-KCJ	SEAT ASSY (BLACK/RED)	1	

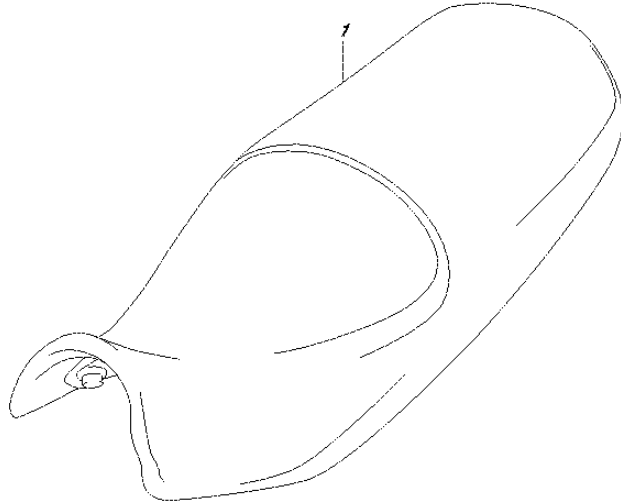


FIG.910A

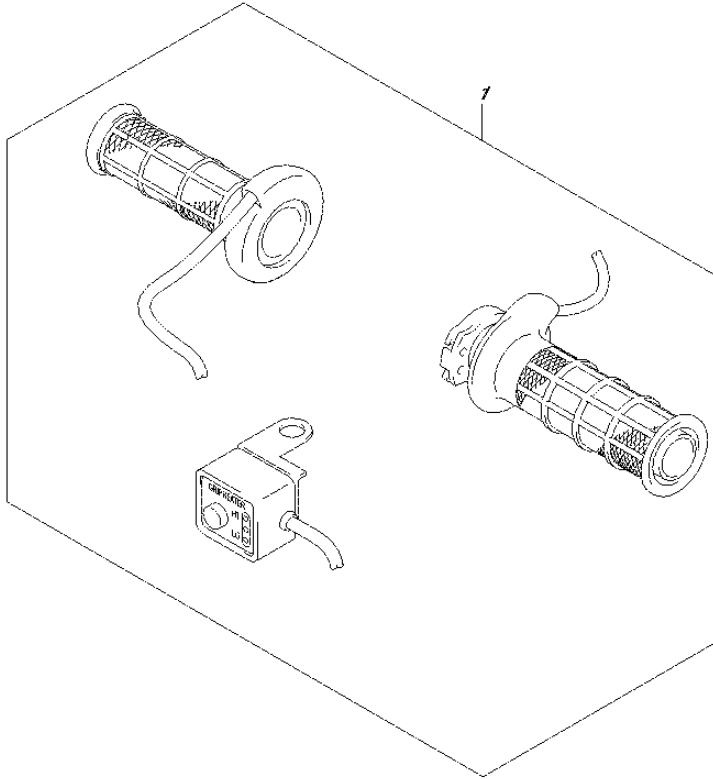


FIG.910A (1-G-4) GRIP HEATER SET (OPTIONAL)

REF NO.	PART NO.	DESCRIPTION	Q'TY	REMARKS
1	57100-27832	HEATER SET, GRIP	1	

FIG.911A

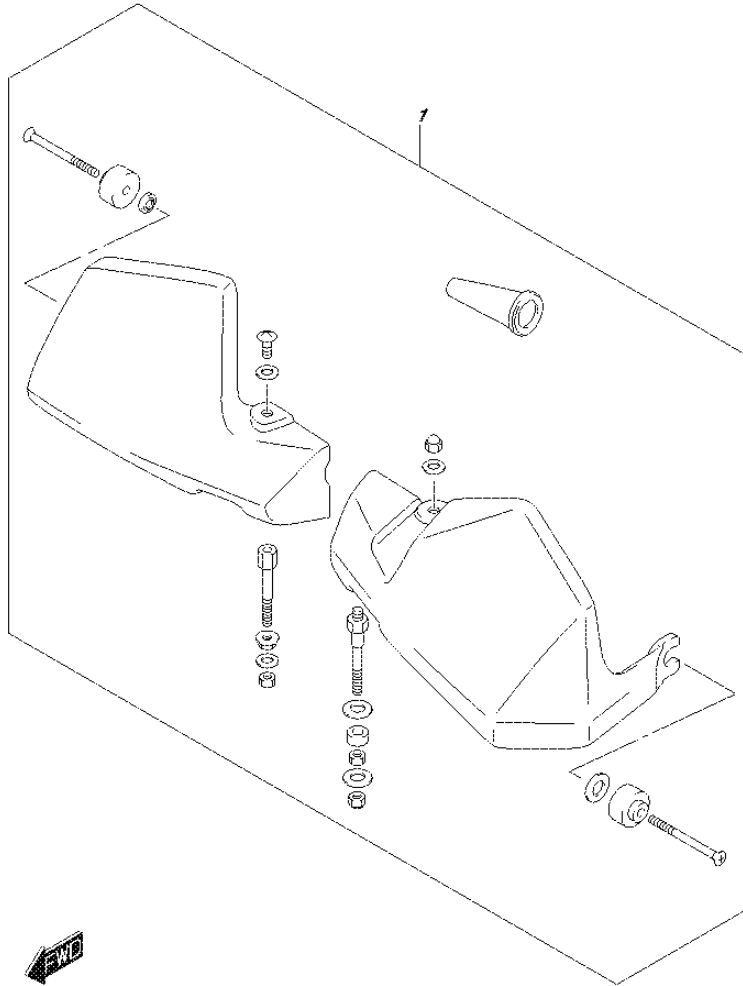


FIG.911A (1-G-5) KNUCKLE COVER SET (OPTIONAL)

REF NO.	PART NO.	DESCRIPTION	Q'TY	REMARKS
1	57300-27831-291	COVER SET, KNUCKLE (BLACK)	1	

FIG.912A

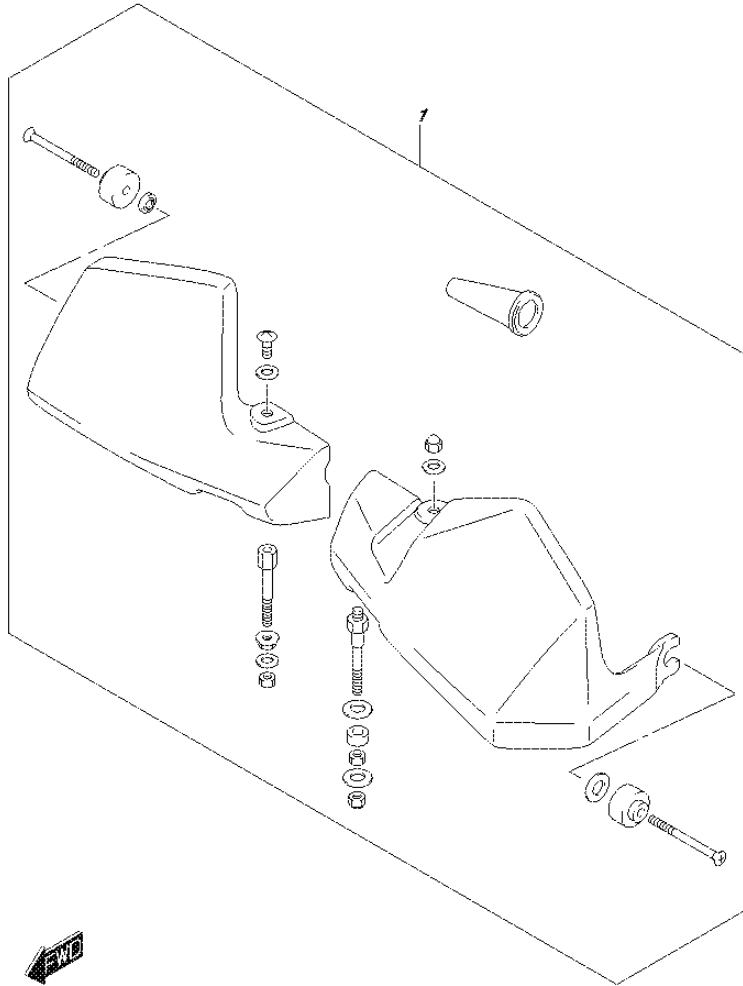


FIG.912A (1-G-6) UNDER COWLING SET (OPTIONAL)

REF NO.	PART NO.	DESCRIPTION	Q'TY	REMARKS
1	94400-11820-291	COWLING SET, UNDER (BLACK)	1	

PART NO.	FIG.NO.-REF.NO.	PART NO.	FIG.NO.-REF.NO.	PART NO.	FIG.NO.-REF.NO.	
10000		12151-05A00	120A-9	12892-05C00-200	126A-13-17	
		12160-17G10	120A-3	12892-05C00-205	126A-13-18	
		12163-24F10	120A-4	12892-05C00-210	126A-13-19	
		12164-46E01-0A0	120A-6-1	12892-05C00-215	126A-13-20	
		12164-46E01-0B0	120A-6-2	12892-05C00-220	126A-13-21	
	11101-44H00	104A-1	12164-46E01-0C0	120A-6-3	12911-18H00	126A-5
	11103-44H10	105A-1	12164-46E01-0D0	120A-6-4	12912-20F00	126A-6
	11115-18D72	104A-4	12220-44H10	120A-1	12921-44H00	126A-7
		105A-4	12229-44H00-0A0	120A-2-1	12931-17E01	126A-8
	11117-44H00	104A-7	12229-44H00-0B0	120A-2-2	12932-32C00	126A-11
	105A-7	12229-44H00-0C0	120A-2-3	12933-17E00	126A-9	
11141-20F00	101A-2	12600-06821	122A-3	13101-17G10	104A-13	
	104A-5	12611-27G00	122A-1	13102-17G10	105A-13	
	105A-5	12710-11J00	126A-1	13268-48700	140A-3	
11151-27G00	104A-25	12720-20F00	126A-2	13269-33E00	140A-2	
11171-19F20	104A-17	12730-11J00	126A-3	13295-29900	140A-5	
11172-19F20	105A-17	12731-19F00	120A-11	13405-11J00	140A-1	
11173-19F01	101A-3	12740-20F00	126A-4	13575-29G00	140A-7	
	104A-18	12760-19F01	127A-1	13580-27G21	140A-6	
	105A-18	12771-44H00	127A-2	13601-11J00	140A-16	
11191-27E00	101A-10	12782-19F00	127A-3	13602-29G00	140A-17	
	104A-21	12800-05830	126A-14	13605-02F00	140A-8	
	105A-21	12811-17G00	127A-5	13606-47A00	140A-4	
11192-13E00	104A-22	12812-35C00	127A-6	13650-41F10	155A-16	
	105A-22	12830-27G00	127A-8	13650-49X00	187A-25	
11211-44H00-0F0	107A-1	12830-27G10	127A-11	13655-41F10	155A-17	
11221-44H00-0F0	107A-2	12831-39F00	127A-10	13683-44H00	140A-12	
11241-19F10	101A-4		127A-13	13683-44H10	140A-13	
	107A-3	12833-17G00	127A-14	13700-11J01	155A-1	
11242-19F00	101A-5	12837-24F10	127A-9	13740-11J01	155A-2	
	107A-4		127A-12	13746-06G00	155A-9	
11301-27850	108A-1	12837-27G00	101A-8	13780-27G10	155A-8	
11323-19F00	108A-22		127A-15	13788-11J00	155A-6	
11340-44H10	112A-1	12891-17E00	126A-12	13826-44H01	155A-7	
11342-11J00	112A-10	12892-05C00-120	126A-13-1	13827-40H01	104A-16	
11343-44H00	112A-8	12892-05C00-125	126A-13-2		105A-16	
11344-11J00	112A-11	12892-05C00-130	126A-13-3	13850-11J00	155A-13	
11351-44H00	112A-24	12892-05C00-135	126A-13-4	13878-10G00	155A-11	
11361-44H00	112A-14	12892-05C00-140	126A-13-5	13881-27G10	155A-4	
11371-11J00	112A-18	12892-05C00-145	126A-13-6	13882-27G10	155A-5	
11372-22H00	112A-19	12892-05C00-150	126A-13-7	13891-27G01	155A-3	
11403-44810	101A-1	12892-05C00-155	126A-13-8	14150-27G10	163A-1	
11482-44H00	101A-6	12892-05C00-160	126A-13-9	14160-17G10	163A-2	
	112A-3	12892-05C00-165	126A-13-10	14181-22D01	101A-9	
11483-19F00	101A-7	12892-05C00-170	126A-13-11		163A-3	
	112A-25	12892-05C00-175	126A-13-12	14305-11J00	163A-14	
11971-25D00	112A-6	12892-05C00-180	126A-13-13	14414-06G00	163A-19	
11971-33210	112A-2	12892-05C00-185	126A-13-14	14414-27G00	163A-16	
12111-44H20-0F0	120A-7	12892-05C00-190	126A-13-15	14771-11J00	163A-7	
12140-15H10	120A-8	12892-05C00-195	126A-13-16	14771-32E10	163A-4	

PART NO.	FIG.NO.-REF.NO.	PART NO.	FIG.NO.-REF.NO.	PART NO.	FIG.NO.-REF.NO.
14781-11J00-YUS	163A-8	17771-11J00	185A-12	24130-44H10	206A-18
15100-11J00	172A-1	17781-17G00	185A-9	24221-20F10	206A-4
15111-27G00	172A-3	17800-11J00	185A-2	24231-20F10	206A-5
15112-05H00	172A-4	17851-11J00	187A-1	24251-20F02	206A-6
15113-05H00	172A-5	17852-44H20	187A-2	24252-19F00	206A-7
15113-35F00	172A-6	17853-19F00	187A-6	24252-38A10	206A-8
15114-14J00	172A-8	17854-44H00	187A-3	24261-20F00	206A-9
15115-14J00	172A-9	17856-44H00	187A-23	24311-44H00	206A-19
15116-10F00	172A-11	17880-44H00	187A-4	24321-44H10	206A-20
15119-08J00	172A-10	17890-06G20	187A-7	24322-19F10	206A-21
15181-11J00	172A-12	17900-27810	187A-13	24331-44H00	206A-22
15201-35F00	172A-14	17910-27G10	187A-10	24332-24510	206A-23
15420-05H00	172A-2	17920-27G10	187A-16		206A-24
15610-14J00	172A-7	17931-02FA0	187A-11	24341-44H00	206A-25
15710-44H00	140A-9	17982-15H00	187A-14	24351-44H10	206A-26
15717-58B00	140A-10	18213-17G10	163A-22	24361-44H00	206A-27
15722-29G00	140A-11	18590-32G00	155A-15	24741-21A00	212A-6
15731-11J00	140A-14			24751-19F10	206A-38
15732-11J00	140A-15			24881-12C30	206A-39
15810-11J10	172A-16			24885-12C10	206A-40
16321-19F00	170A-11			25211-42E20	212A-1
16331-19F00	170A-3			25221-42E20	212A-2
16400-20F00	170A-1			25231-42E20	212A-3
16438-19F00	108A-14			25310-19F00	212A-7
16440-17C20	170A-7			25312-42F01	212A-9
16461-44H00	178A-5	21100-44H00	120A-13	25350-35F00	212A-14
16471-44H00	178A-6	21200-44860	201A-1	25355-35F01	212A-15
16510-07J00	178A-10	21411-44101	201A-2	25381-19F20	212A-10
16520-32E00	170A-8	21413-17G10	201A-3	25411-28D01	212A-4
16523-17G00	170A-9	21414-29F00	201A-4	25411-44B00	212A-5
16591-02F00	178A-3	21441-29F30	201A-6	25510-19F10	212A-18
16600-44H00	178A-1	21442-29F10	201A-5	25512-06G10	212A-19
17400-44H00	180A-1	21451-28C31	201A-7	25520-27G00	212A-27
17411-44H00	180A-2	21462-14301	201A-8	25525-27G00	212A-29
17415-20920	180A-3	21471-17G00	201A-9	25526-47000	212A-28
17418-19F00	180A-10	21472-17G00	201A-10		212A-31
17435-33400	180A-11	21482-41G10	201A-11	25600-11J00	212A-30
17451-17G00	120A-12	23110-44111	201A-15	25617-03F10	212A-33
17461-44H00	180A-16	23111-15501	201A-16	25652-20C00	212A-32
17461-48G00	180A-7	23121-44H00	201A-17	25671-01011	212A-20
17470-02F10	180A-6	23122-44H00	201A-18	27510-20F00	206A-43
17491-19F40	180A-5	23123-41G00	201A-19	27531-19F10	206A-46
17662-02F11	187A-19	23125-11J00	201A-20	27600-06G40-120	206A-47
17663-17G00	187A-20	23271-44H10	201A-21	27620-06G40	206A-48
17670-06G60	187A-21	24120-27G00	206A-1		
17710-11J00	185A-1	24127-19F00	206A-2		
17711-08J00	185A-3		206A-3		
17712-40F00	185A-4		206A-15		
17730-08J00	185A-14		206A-16		
17741-17G00	185A-10		206A-17		

30000

PART NO.	FIG.NO.-REF.NO.	PART NO.	FIG.NO.-REF.NO.	PART NO.	FIG.NO.-REF.NO.
31100-19F10	301A-1		334A-16		
31132-18H00	301A-2	35629-18G00	334A-9		
31143-49040	301A-3	35632-08J01	334A-6		
31156-98E00	301A-4		334A-12		
31264-38F10	301A-5	35710-11J01	339A-1		
31280-19F10	301A-6		339B-1	41100-27G50-YAP	401A-1
31800-06G00	312A-1	35716-48B21	339A-3	41200-11J00	401A-2
31861-47E00	312A-2		339B-3	41911-06G90-YAP	401A-4
32101-17G11	303A-1	35718-11J01	339A-2	41912-06G90-YAP	401A-5
32102-17G10	303A-2		339B-2	41921-16G00	401A-9
32371-19F10	303A-3	35736-48B21	339A-4	41922-19F20	401A-8
32800-47H00	312A-5		339B-4	41922-33E20	401A-10
32830-11J00	312A-6	35765-42E00	339A-5	41923-16G00	401A-7
32920-11JA0	312A-22		339B-5	41941-19F01	401A-11
33410-27G00	312A-10	35910-41G01	339A-10	42310-06G60	407A-1
33420-27G00	312A-11	35910-41G31	339B-10	42321-03FK0	407A-3
33510-17G00	312A-16	35912-41G01	339A-11	42330-06G60	407A-6
33510-20E00	312A-17		339B-11	43111-27G00	407A-9
33541-23E10	312A-18	35913-41G00	339A-12	43130-24A00	530A-13
33541-47D00	312A-19		339B-12	550A-21	550A-21
33542-17G01	312A-20	35917-41G00	339A-13	43222-73H10	530A-14-1
33542-38B00	312A-21		339B-13	550A-22-1	550A-22-1
33610-48E21	310A-1	35927-14J30	339B-18	43224-73H10	530A-14-2
33624-27G00	310A-9	35950-14A11	333B-11	550A-22-2	550A-22-2
33652-08420	310A-3	35970-14A20	339B-22	43226-73H10	530A-14-3
33652-16G00	310A-2	36610-11JH0	350A-1	550A-22-3	550A-22-3
33810-27G20	310A-6	36618-43410	310A-7	43501-06G01	415A-4
33820-27G10	310A-8	36618-47H00	350A-7	43502-06G01	415A-10
33860-27G10	310A-10	36620-11J01	350A-6	43510-11J00-YAP	415A-1
33960-27G00	312A-23	36654-06J00	350A-8	43520-11J00-YAP	415A-2
34111-11J00	330A-4	36711-11J00	350A-9	43551-06G00	415A-6
34120-11J01	330A-1	37000-11851	350A-17	415A-12	415A-12
34124-38G00	330A-3	37100-11J11	350A-18	43552-06G00	415A-7
34150-11J00	330A-2	37146-11J00	350A-32	415A-13	415A-13
34810-11J00	172A-13	37180-15H00	350A-19	43576-07D01	415A-5
34938-14F00	533A-17	37200-11J00	355A-1	415A-11	415A-11
34955-13E00	481A-15	37400-11J00	355A-3	43585-27G10	401A-13
34981-38G01	330A-9	37730-44H01	212A-39	43595-27G00	401A-14
34990-35F00	330A-11	37740-45D00	350A-22	43610-34A00	415A-19
35100-11J00-999	333A-2	37820-33D10	108A-33	43612-33G01	415A-21
	333B-2	37822-33D00	108A-34	43631-34A01	415A-22
35118-68K00	333A-3	37840-06G00	350A-24	43710-34A00	415A-20
	333B-3	38500-11J00	350A-27	43810-27G10-YAP	415A-23
35179-58J00	333A-4	38610-03F00	334A-20	43820-27G01-YAP	415A-24
	333B-4	38740-24X50	350A-30	44100-11J00-YKV	420A-1
35601-08J01	334A-1		350A-31	44154-11J00	420A-13
35602-08J01	334A-5	38800-09811	906A-1	44170-11J00-PGZ	423A-1-4
35603-08J11	334A-11			44170-11J00-RB5	423A-1-1
35604-08J11	334A-15			44170-11J00-YSF	423A-1-3
35612-08J01	334A-2			44170-11J00-YYG	423A-1-2

40000

PART NO.	FIG.NO.-REF.NO.	PART NO.	FIG.NO.-REF.NO.	PART NO.	FIG.NO.-REF.NO.
44179-11J00	420A-23	45280-11J00	505A-11	51176-19C00	521A-16
44180-11J00-PGZ	423A-7-4	45288-14F00	505A-7		521A-40
44180-11J00-RB5	423A-7-1	45289-11F00	505A-9	51177-14D00	521A-13
44180-11J00-YSF	423A-7-3	45518-16G00	474A-7		521A-37
44180-11J00-YYG	423A-7-2	46311-11J00-YKV	412A-1	51185-27G00	521A-19
	420A-26	46321-11J00	412A-2		521A-43
44189-11J00	420A-24	47111-11J01-PGZ	445A-1-4	51186-12C00	521A-21
44191-11J00	423A-15	47111-11J01-RB5	445A-1-1		521A-45
44192-11J00	423A-16	47111-11J01-YSF	445A-1-3	51186-17C00	521A-15
44193-11J00	423A-14	47111-11J01-YYG	445A-1-2		521A-39
44194-11J00	420A-12	47211-11J01-PGZ	445A-2-4	51187-14D00	521A-20
44200-16850	420A-2	47211-11J01-RB5	445A-2-1		521A-44
44244-11J00	420A-3	47211-11J01-YSF	445A-2-3	51188-32B00	521A-22
44277-37H00	423A-2	47211-11J01-YYG	445A-2-2		521A-46
	423A-8	47411-11J00	445A-3	51189-27G00	521A-17
44278-11J00	423A-5	47431-27GA0	405A-1		521A-41
	423A-11	47511-11J00	445A-4	51195-27G00	521A-9
44423-11J20	420A-29				521A-33
44423-11J30	420A-30			51196-27G00	521A-12
44424-14J00	420A-32				521A-36
44511-16G00	420A-15			51311-11J00	524A-9
44512-16G00	420A-16			51321-10F00	524A-14
44520-11J00	420A-17			51328-27E30	521A-49
44530-06G00	420A-9				524A-8
44541-11J00	420A-4			51353-27G00	524A-11
44542-06G00	420A-8	51103-11J00	521A-1	51354-06G00	524A-12
44542-11J00	420A-20	51104-11J00	521A-25	51410-27G30	524A-1
44543-10G00	310A-4	51110-11J00	521A-10	51553-47H00	521A-6
44545-06G00	420A-7				521A-30
44550-06G10	420A-5	51117-17C00	521A-18	51556-38B00	521A-5
44560-11J00	420A-19				521A-29
44572-02F01	333A-5	51121-11J00	521A-3	51631-33E00	524A-5
	333B-5			51641-33E00	524A-6
	481A-2	51131-11J00	521A-2	51643-33E00	524A-7
44572-13G00	420A-25	51141-11J00	521A-26	51644-12C00	524A-2
	423A-3	51146-11J00	521A-11	53111-11J01-291	460A-1
	423A-9			53122-06G00	460A-3
44572-37H00	333A-6	51147-48130	521A-23	54111-27G40-019	530A-1
	333B-6			54162-27G00	530A-4
	481A-3	51148-31030	521A-24		550A-7
44572-44G00	420A-11			54711-08F10	530A-6
	423A-4	51152-47H00	521A-8	54750-31F00	530A-7
	423A-10			54751-10G01	530A-8
45100-11J00-KCJ	505A-1	51166-38B40	524A-10	55110-06G11	530A-12
45100-11J50-KCJ	908A-1	51168-17C00	521A-7	55156-66310	535A-10
45100-11J60-KCJ	909A-1				535A-25
45148-36C00	505A-2	51171-11J00	521A-14	55610-11J01	533A-1
45149-31300	505A-3			55660-11J00	533A-2
45213-13601	505A-5	51173-27G00	521A-4	55667-27G10	533A-8
45220-47H00	505A-6			55710-11J00	533A-11

50000

PART NO.	FIG.NO.-REF.NO.	PART NO.	FIG.NO.-REF.NO.	PART NO.	FIG.NO.-REF.NO.
56111-11J01-YUS	462A-1	59210-44G11	530A-10	61422-33D01	541A-14
56200-16841	462A-2	59240-11J00	536A-1	62100-06GG0-019	543A-17
56211-06G40	524A-13	59250-11J00	536A-2	62600-06870	543A-1
56272-06G00	462A-4	59260-06G10	536A-3	62621-19D00	543A-9
56272-10G00	462A-7	59260-11J00	536A-4		543A-14
56273-10G10	462A-8	59268-11J00	536A-5	62641-06G00	543A-13
56276-17D00	462A-5	59300-01820	535A-2	62658-19F00	543A-5
56500-04F30	462A-9		535A-17	62684-12C00	543A-6
56600-04F30	462A-10	59300-33DF1-999	535A-16	62684-40A10	543A-12
57100-27832	910A-1	59302-33850	535A-28	63111-11J10	474A-1
57110-21H01	467A-1	59303-14500	555A-6	63112-11J00-291	474A-3
57211-21H00	467A-7	59305-36E00	555A-5	63115-37H00	445A-5
57300-27831-291	911A-1	59313-36500	535A-6	63121-11J00	474A-8
57300-44G12	467A-2		535A-21	64111-06G20-019	550A-1
57431-17H02	467A-3	59315-33D00	535A-19	64511-27G00	550A-18
57431-45C01	467A-10	59350-33D01	535A-22	64610-35F40	550A-5
57441-45C00	467A-12	59450-11J00	536A-6	64651-35F10	550A-6
57442-45C00	467A-13	59480-11J00	536A-7	64711-03F00	550A-9
57460-14J01	467A-5	59540-11J00	536A-11	64712-03F00	541A-15
57465-17C00	467A-6	59560-11J00	536A-12	64713-03F00	541A-16
57500-25D00	467A-8	59600-10G30	537A-1	64733-06G00	550A-10
57560-05A00	467A-15	59600-45870	537A-2	64741-10F00	550A-4
57621-40F00	467A-9	59664-32F00	537A-10	64751-27G00	550A-11
57661-33E00	467A-17	59666-44300	537A-3	65110-06G11	550A-20
58200-11J00	462A-11	59667-04700	558A-15	65710-11J00	533A-13
58300-11J00	462A-15	59667-49460	537A-4	68111-47HA0	423A-6
58300-11J10	462A-16	59668-41C00	537A-5		423A-12
58631-11J10	462A-12	59669-05D00	558A-16	68241-11J01	420A-22
58634-44H00	462A-13	59669-10G00	537A-6	68281-47HA0	423A-17
59100-04851	535A-3	59671-32F00	537A-8	68319-49J00	496A-1-1
	535A-18	59675-02FA0	537A-9	68319-49J50	496A-1-2
59100-33DF1-999	535A-1			68319-49JG0	496A-1-3
59102-33870	535A-13			68332-11J70	496A-2-2
59112-44B00	535A-5			68332-11J80	496A-2-3
	535A-20			68332-11JA0	496A-2-1
59115-33D00	535A-4			68391-06G50	412A-5-2
59116-33D00	535A-8			68391-06G60	412A-5-3
	535A-23	60000		68391-06G80	412A-5-1
59121-01A00	555A-12			69100-04810	555A-2
59121-18410	535A-9			69100-04820	555A-3
	535A-24	61000-27G30-YAP	541A-1	69100-06830	555A-15
59122-46H00	555A-13	61196-06G00	558A-29	69100-27G10-999	555A-1
59141-44B01	535A-11	61196-27G10	558A-28	69115-06G00	555A-4
	535A-26	61211-06G00	541A-6	69132-06G00	555A-16
59146-21E10	555A-8	61214-19F10	541A-7	69133-06G00	555A-17
59150-33D01	535A-7	61251-31E00	541A-5	69134-06G00	555A-18
59171-33D00	535A-14	61273-27G00	541A-9	69141-40F00	555A-7
	535A-29	61310-16G00	541A-19	69142-45000	535A-12
59172-33D00	535A-15	61410-03F00	541A-12		535A-27
	535A-30	61421-33D01	541A-13	69150-27G00	555A-14

PART NO.	FIG.NO.-REF.NO.	PART NO.	FIG.NO.-REF.NO.	PART NO.	FIG.NO.-REF.NO.
69182-04F00	555A-9	99000-25110	901A-1		533A-12
69185-04F00	555A-10	99000-25140	901A-6		533A-14
69186-04F00	555A-11	99000-31110	901A-4-2	01550-0820A	481A-19
69200-11J00	558A-24	99000-31140	901A-4-1	01550-0835A	420A-10
69211-06G10	550A-2	99000-32020	901A-2-1	01550-1025A	535A-31
69260-11J00	558A-31	99000-32030	901A-2-2	02112-0510A	180A-12
69266-27G00	558A-32	99000-32040	901A-3	02112-0530B	355A-2
69400-11J00	558A-25	99000-32050	901A-2-3	02112-0535B	355A-4
69600-06G00	558A-1	99000-32100	901A-2-4	02112-0612A	206A-42
69600-34820	558A-2	99000-32130	901A-2-5		212A-13
69641-06G00	558A-35	99000-69491	126A-15	02122-0320A	467A-16
69670-03G00	558A-5	99011-11J63-01A	496A-3-1	02122-0616B	104A-15
69672-00B20	558A-7	99011-11J63-029	496A-3-2		105A-15
69674-00B20	558A-9	99011-11J63-068	496A-3-3	02122-0630A	505A-10
69686-34200	558A-8			02142-0510A	558A-30
69689-04A00	558A-17			02142-0516B	415A-8
69689-49300	537A-7				415A-14
69691-00A00	558A-3	00000		02142-0520B	415A-9
69692-19A00	558A-4				415A-15
69693-05A00	558A-6			02142-0616A	339B-20
69730-27G00	558A-21	01421-0625B	107A-7	02162-0610A	312A-8
69740-01D02	558A-14	01500-0612A	206A-41	02162-0616A	312A-7
69750-27G20	558A-19	01547-0512B	350A-21		312A-9
		01547-0610A	108A-24	03141-0516A	155A-10
		01547-0610B	558A-33	03211-0412A	339A-7
		01547-0612A	108A-23		339B-7
			462A-14	03211-0414B	334A-4
			533A-18		334A-8
			536A-9		334A-14
			558A-18		334A-18
			558A-20	03211-0416A	339A-15
94410-11820-291	912A-1		558A-34		339B-15
94410-11J00-PGZ	481A-1-4		187A-22	03241-0512B	481A-13
94410-11J00-RB5	481A-1-1	01547-0616A	536A-10		485A-9
94410-11J00-YSF	481A-1-3		112A-15	03511-0516A	155A-18
94410-11J00-YYG	481A-1-2	01547-0620A	201A-31	03541-0416A	445A-15
94414-11J00	481A-7		212A-36	03541-0516A	330A-7
94421-11J00	485A-1		467A-14		485A-10
94423-10G00	445A-6	01547-0620B	312A-15	03541-0616A	339A-8
94431-11J00	485A-2	01547-0625A	112A-16		339B-8
94443-06G00	481A-4	01547-0635A	108A-3	04111-2015A	558A-13
94461-11J00	481A-28	01547-0650A	187A-17	04211-09129	112A-17
94462-11J01	485A-7	01550-0610A	185A-11	04211-09149	112A-4
94463-11J01	485A-8	01550-0612A	533A-3		112A-26
94510-11J01	481A-14		420A-21	04211-13189	104A-6
94611-11J00	481A-20	01550-0612B	543A-22		105A-6
94612-31F00	481A-8	01550-0616A	350A-26		107A-5
94631-11J00	481A-24	01550-0616B	420A-18	04221-04089	120A-5
95643-58J00	330A-8	01550-0620B	108A-18		212A-8
95700-14810	505A-8	01550-0812A	420A-6		330A-12
99000-25030	901A-5	01550-0816A			

PART NO.	FIG.NO.-REF.NO.	PART NO.	FIG.NO.-REF.NO.	PART NO.	FIG.NO.-REF.NO.
07120-0612A	172A-15	09103-06174	112A-12	09119-08100	350A-20
	420A-28	09103-06212	301A-7	09125-05042	462A-17
07120-0640A	104A-8	09103-06214	112A-5	09127-06018	462A-3
	105A-9		112A-27	09128-06013	312A-4
07120-0855A	108A-4	09103-06222	104A-10	09132-03008	330A-5
07120-0880A	108A-5		105A-10	09132-05053	405A-3
07130-0512A	303A-6	09103-06225	180A-13	09134-06015	201A-22
	530A-5	09103-06239	112A-28	09136-05062	333A-1
	550A-8	09103-06266	104A-3		333B-1
07130-0612A	127A-4		105A-3	09139-05032	481A-21
	170A-10	09103-08358	163A-15	09139-05064	423A-13
	187A-9	09103-08365	163A-5		481A-6
07130-0625A	127A-16	09103-08512	412A-3	09139-05074	445A-7
	170A-2	09103-10033	543A-18		481A-25
07130-0635A	303A-7	09103-10143	543A-19	09139-06028	112A-20
07130-0825B	330A-10	09103-10205	108A-28	09139-06029	558A-10
08123-62047	550A-16	09103-10338	120A-14	09139-06051	485A-3
08133-62037	530A-2	09103-10347	108A-29	09139-06083	541A-20
08211-06141	212A-17	09103-10379	401A-3	09139-06105	112A-21
08211-06181	127A-7	09103-12004	303A-4	09139-06120	481A-26
08310-00067	212A-37	09103-12054	108A-30	09139-06126	163A-9
08310-0006A	201A-32	09106-05023	212A-42		481A-18
08316-1005A	334A-10	09106-06075	108A-15	09139-06140	474A-4
	339B-23	09106-06098	112A-9	09139-06144	485A-4
08316-1006A	339B-21	09106-06122	460A-4	09139-06158	460A-2
08316-1006B	107A-6	09106-07009	104A-19	09139-06179	445A-8
	350A-29		105A-19	09139-06192	420A-14
08319-2106A	467A-4	09106-07010	104A-20	09139-08023	122A-4
08319-2106B	467A-11		105A-20	09140-06025	212A-34
08319-3105A	334A-19	09106-08074	415A-25	09140-20001	201A-12
08319-3110A	108A-32	09106-08119	541A-17	09148-05052	330A-6
	550A-19	09106-08121	401A-6		445A-9
08319-3118A	541A-8	09106-08150	415A-3		481A-9
	550A-12	09106-08160	530A-11		485A-5
08322-0105A	333B-13		550A-3	09148-06020	481A-10
08322-0106B	474A-9	09106-08165	163A-6		485A-6
	558A-12	09106-08168	401A-12	09159-05019	481A-23
08331-31109	170A-6	09111-06041	212A-16	09159-06096	339A-17
	180A-15	09111-06066	533A-9		339B-17
08331-3112A	212A-38	09111-06085	187A-12	09159-10115	543A-20
08331-3114A	212A-26	09111-06107	405A-2	09159-12054	108A-31
08331-3118A	407A-12	09111-10058	407A-2	09159-12056	543A-8
08331-31383	170A-13	09116-06152	541A-10		543A-11
08332-1104A	415A-27	09116-06171	533A-4		543A-16
08332-1106B	415A-18	09116-06176	533A-5	09159-20004	206A-44
08332-1108A	180A-9	09116-06181	474A-2	09160-05048	481A-22
08361-3506A	301A-8	09118-06017	350A-28	09160-06077	339B-19
09100-12084	407A-7	09118-06097	185A-8	09160-06131	462A-6
09103-06103	104A-9	09118-08152-A05	163A-11	09160-06156	474A-5
	105A-8	09119-05023	333B-12	09160-08146	163A-20

PART NO.	FIG.NO.-REF.NO.	PART NO.	FIG.NO.-REF.NO.	PART NO.	FIG.NO.-REF.NO.
09160-10020	201A-23	09181-20195	206A-33	09280-24010	206A-49
09160-12011	212A-35	09181-25160	178A-4	09280-26005	212A-40
09160-12036	303A-5	09181-25167	206A-11	09280-46006	104A-14
09160-12037	543A-7	09200-06068	558A-11		105A-14
09160-12061	407A-8	09206-08001	104A-2	09280-55002	178A-2
09160-14016	212A-21		105A-2	09280-63003	405A-4
09160-15045	201A-24	09206-11007	108A-2	09282-10012	201A-28
09160-18022	407A-10	09206-12006	122A-2	09282-24004	530A-3
09160-20067	201A-13	09208-06008	415A-26	09283-06008	201A-29
09161-10009	536A-13	09208-08010	415A-16	09283-14005	212A-23
	558A-27	09247-12006	108A-26	09283-36011	206A-35
09164-08015	524A-15	09247-12011	108A-12	09285-10004	201A-30
	541A-18	09248-16012	108A-20	09285-28001	550A-17
09167-20006	201A-14		112A-32	09285-39001	550A-15
09167-25013	206A-28	09250-06011	524A-16	09289-04002	126A-10
09167-25021	206A-10	09250-10010	481A-11	09300-20032	206A-36
	206A-29	09251-04003	401A-15	09320-06504	423A-18
	206A-30	09259-26011	112A-30	09320-08028	333A-7
09167-25028	206A-45	09261-04001	170A-5		333B-7
09168-06023	104A-11	09261-04002	180A-18		445A-10
	105A-11	09261-06002	170A-12		481A-16
	108A-25	09262-10014	180A-8	09320-08070	163A-10
	112A-13	09262-17023	206A-37	09320-09016	112A-23
	112A-29	09262-17046	206A-12		445A-11
09168-08016	108A-19	09262-20145	206A-13		481A-17
	180A-4	09262-25006	212A-11	09320-09039	333A-8
09168-12002	108A-13	09262-25125	206A-34		333B-8
09168-12017	108A-27	09262-32022	550A-14	09320-10061	533A-7
	171A-26	09263-10014	201A-25	09320-10501	185A-5
09168-16002	108A-21	09263-12027	201A-26	09320-12048	163A-13
	112A-33	09263-15003	201A-27	09320-12049	163A-18
09169-06062	112A-22	09263-17034	543A-4	09320-20010	445A-12
09169-08049	412A-4	09263-17037	541A-4	09321-10001	445A-13
09169-25001	206A-31		543A-3	09321-10012	505A-4
09180-06263	339A-16	09263-20073	543A-2	09321-10018	163A-21
09180-06278	339B-16	09263-25018	212A-12	09329-18001	185A-6
09180-06283	541A-11	09263-25059	541A-3		420A-27
09180-06296	533A-6	09267-30010	524A-3	09352-12163-600	420A-35
09180-06310	185A-7		524A-4	09352-35653-600	180A-19
09180-08152	163A-12	09280-04004	104A-24	09352-50823-00B	420A-33
09180-08156	163A-17		105A-24	09352-50823-600	420A-34
09180-12122	543A-10		108A-7	09360-10062	536A-14
	543A-15		108A-9		536A-15
09180-17067	530A-9		108A-16		558A-26
09180-20112	550A-13	09280-12009	108A-10	09360-10064	536A-16
09180-20118	541A-2	09280-15007	108A-11	09367-06007	420A-36
09181-10158	170A-4	09280-17003	112A-7	09367-08005	420A-31
	180A-17	09280-18008	187A-8	09380-25012	206A-14
09181-14167	212A-22	09280-22001	180A-14	09381-20004	120A-10
09181-17195	206A-32	09280-22008	112A-31	09401-08411	187A-15

SUZUKI **DL650AL5** PARTS CATALOGUE

SUZUKI MOTOR CORPORATION All rights reserved

No part of this document may be reproduced or transmitted in any form or by any means, electronic or mechanical, for any purpose, without the express written permission of Suzuki Motor Corporation.

SUZUKI MOTOR CORPORATION

Technical Readiness Group, Quality Administration Department
300 Takatsuka, Minami, Hamamatsu, Japan

Reprint Prohibited

SUZUKI MOTOR CORPORATION

PRINTED IN JAPAN

9900B-30955-000