



# SUZUKI PARTS CATALOGUE

**GSX-R150M4**

---

**GSXR150**

## PREFACE

When it becomes necessary to replace parts on SUZUKI MOTORCYCLES, always use SUZUKI GENUINE PARTS which have passed a strict inspection which guarantees quality and performance.

This parts catalogue covers the list of all service parts for SUZUKI GSX-R150M4.

### INSTRUCTIONS FOR QUOTING THE CATALOGUE

#### 1. DIMENSIONS

Dimensions of the parts in this catalogue are indicated in unit millimeters.

#### 2. ABBREVIATIONS

Abbreviations used in this catalogue are as follows:

AR	: As required	NT	: Number of teeth
ASSY	: Assembly	OPT	: Optional
E. NO.	: Engine number	OS	: Over size
F. NO.	: Frame number	STD	: Standard
D	: Diameter of material	T	: Thickness
ID	: Inside diameter	US	: Under size
OD	: Outside diameter	W	: Width
L	: Length		
LH	: Left hand side		
RH	: Right hand side		
~100045	: Up to F. NO. A100-100045		
100046~	: From F. NO. A100-100046		
12 x 34 x 5.6.....	Figures in the description column		
	show the dimensions of parts.		
ID	OD	T(or W, L)	

→12345-56781 (Parts No.) : indicates that the parts number was changed to 12345-56781 and the new parts are interchangeable with the former ones but the former ones are not interchangeable with new ones.

←12345-56781 (Parts No.) : indicates that the former and new parts are interchangeable with each other and both are usable.

#### 3. INNER PARTS OF ASSEMBLY

Part name with a dot (.) in front as shown in the description column indicates the component of the assembly also available individually.

#### 4. MODIFICATION NOTICE

A parts bulletin will be sent to you on all occasions when changes in parts occur, including interchangeable modifications between new parts and old ones.

#### 5. NOTE

5-1. There are some different parts from those of production models among spare parts for the administrative reasons and common use of them with other models.

5-2. In respect of rubber hoses and vinyl tubes, please be sure to use them by cutting off according to the length mentioned on parts catalogue or what is actually required on the vehicle.

5-3. Note that the drawings on the illustration page are for ready reference of spare parts number, not to be used as an assembly manual.  
When assembling, use "SUZUKI SERVICE MANUAL".

#### 6. SPECIFICATION CODE

This catalogue contains the parts for the model designed for the following spec. ;  
spec. code : P08.

#### 7. SERIAL FRAME NUMBER

GSX-R150RFXM4 : PRLDL23MZRO 100001~ 999999

GSX-R150RFM4 : PRLDL23MZRO 100001~ 999999

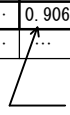


MILLIMETER → INCH CONVERSION CHART

	0	1	2	3	4	5	6	7	8	9
00	.000	.039	.079	.118	.157	.197	.236	.276	.315	.354
10	.394	.433	.472	.512	.551	.591	.630	.669	.709	.748
20	.787	.827	.866	.906	.945	.984	1.024	1.063	1.102	1.142
30	1.181	1.220	1.260	1.299	1.339	1.378	1.417	1.457	1.496	1.535
40	1.575	1.614	1.654	1.693	1.732	1.772	1.811	1.850	1.890	1.929
50	1.969	2.008	2.047	2.087	2.126	2.165	2.205	2.214	2.283	2.323
60	2.362	2.402	2.441	2.480	2.520	2.559	2.598	2.638	2.677	2.717
70	2.756	2.795	2.835	2.874	2.913	2.953	2.992	3.031	3.071	3.110
80	3.150	3.189	3.228	3.268	3.307	3.346	3.386	3.425	3.465	3.504
90	3.543	3.583	3.622	3.661	3.701	3.740	3.780	3.819	3.858	3.898

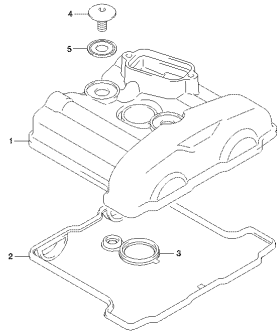
How to read

	0	1	2	3	4
00	...	...	...	...	...
10	...	...	...	...	...
20	...	...	...	0.906	...
30	...	...	...	...	...


 23 millimeters equal 0.906 inch

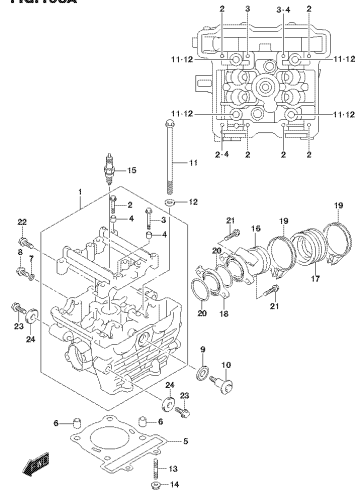
Contents are subject to change without notice or obligation.

FIG.102A



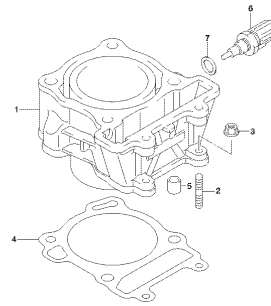
ESK-R150M4\_P08\_102A  
CYLINDER HEAD COVER

FIG.103A



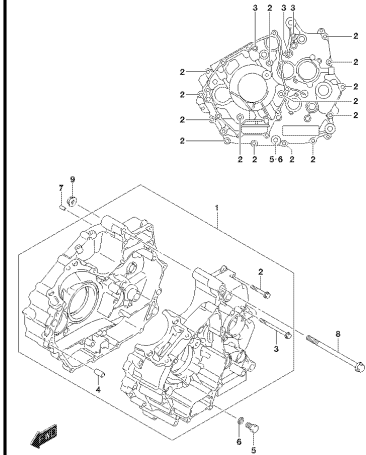
ESK-R150M4\_P08\_103A  
CYLINDER HEAD

FIG.107A



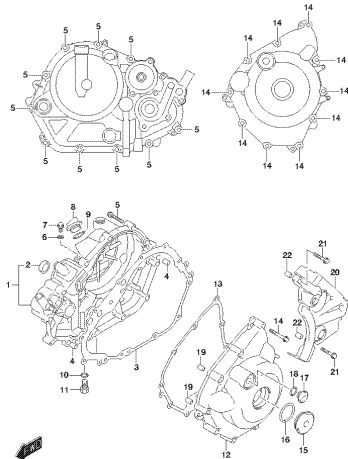
ESK-R150M4\_P08\_107A  
CYLINDER

FIG.108A



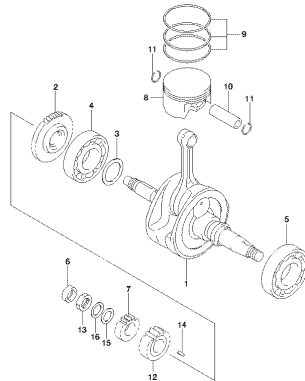
ESK-R150M4\_P08\_108A  
CRANKCASE

FIG.112A



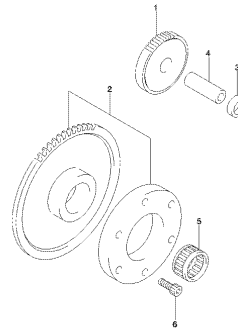
ESK-R150M4\_P08\_112A  
CRANKCASE COVER

FIG.120A



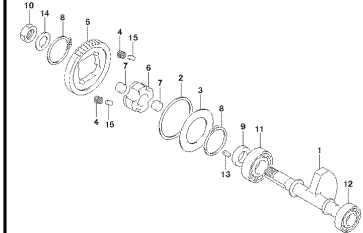
ESK-R150M4\_P08\_120A  
CRANKSHAFT

FIG.122A

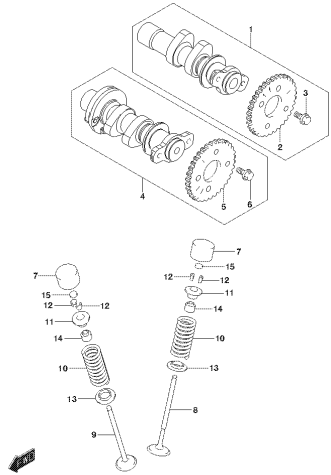


ESK-R150M4\_P08\_122A  
STARTER CLUTCH

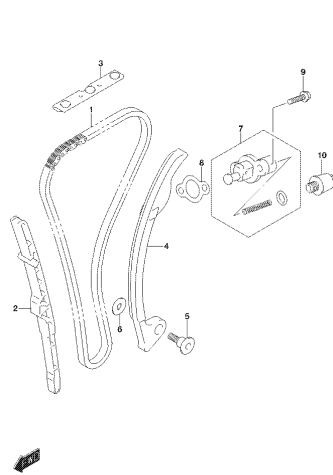
FIG.124A



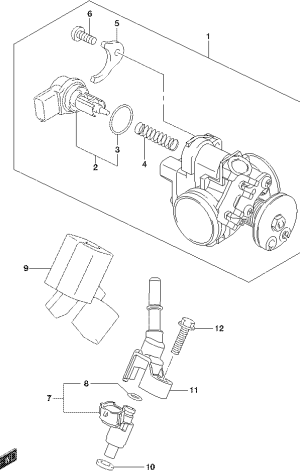
ESK-R150M4\_P08\_124A  
CRANK BALANCER

**FIG.126A**

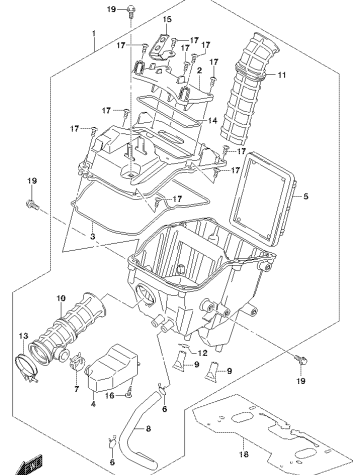
ESK-R150M4\_P08\_126A  
CARBURETOR

**FIG.127A**

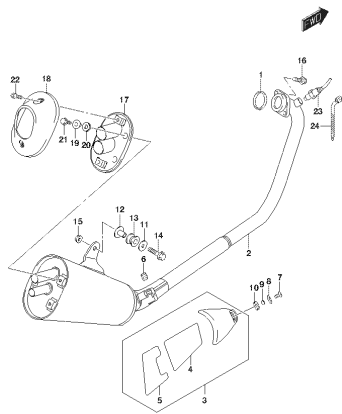
ESK-R150M4\_P08\_127A  
CHOKE COVER

**FIG.140A**

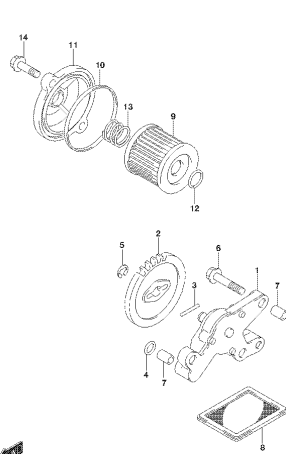
ESK-R150M4\_P08\_140A  
THROTTLE BODY

**FIG.155A**

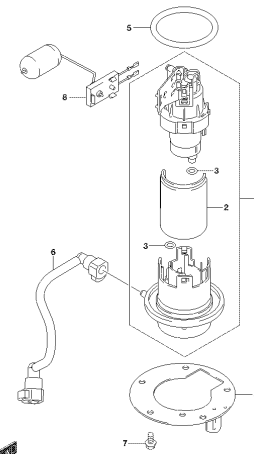
ESK-R150M4\_P08\_155A  
AIR CLEANER

**FIG.163A**

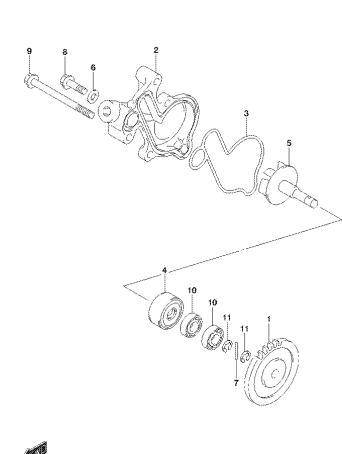
ESK-R150M4\_P08\_163A  
MUFFLER

**FIG.170A**

ESK-R150M4\_P08\_170A  
OIL PUMP

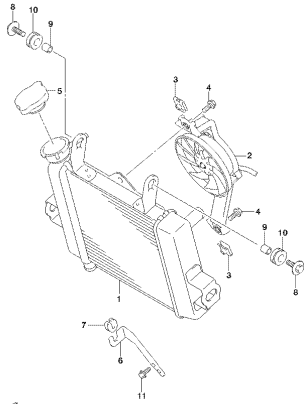
**FIG.172A**

ESK-R150M4\_P08\_172A  
FUEL PUMP

**FIG.180A**

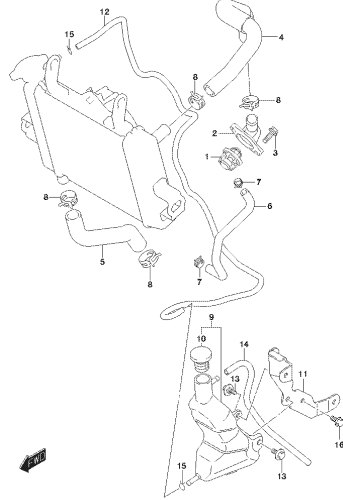
ESK-R150M4\_P08\_180A  
WATER PUMP

FIG.185A



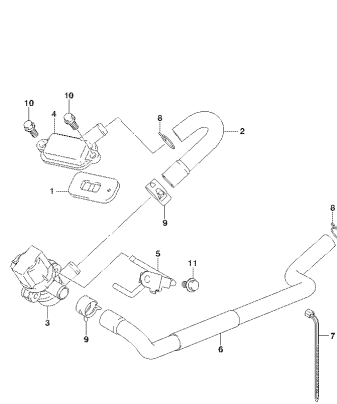
ESK-R150M4\_P08\_185A  
PUMOTOR

FIG.187A



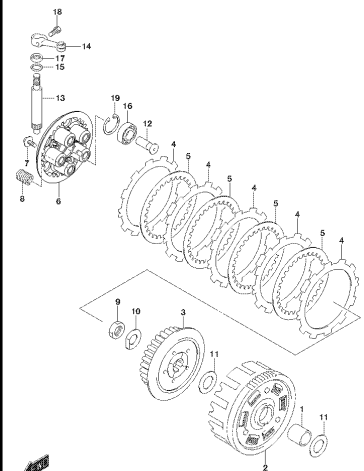
ESK-R150M4\_P08\_187A  
PUMOTOR-HOZE

FIG.189A



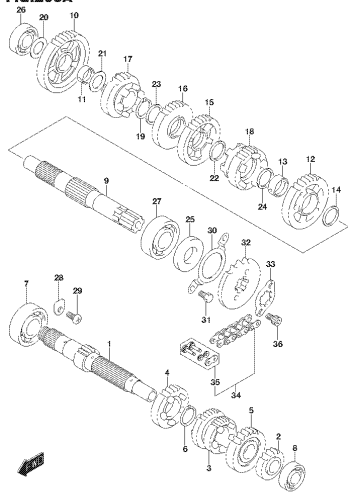
ESK-R150M4\_P08\_189A  
2ND-GEAR

FIG.201A



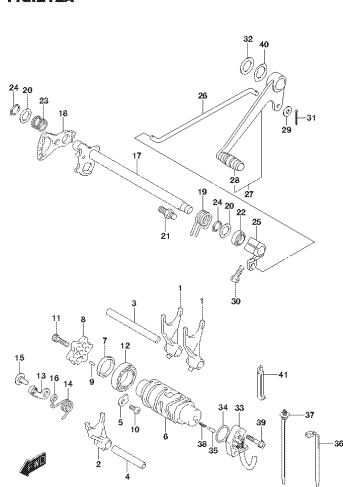
ESK-R150M4\_P08\_201A  
CLUTCH

FIG.206A



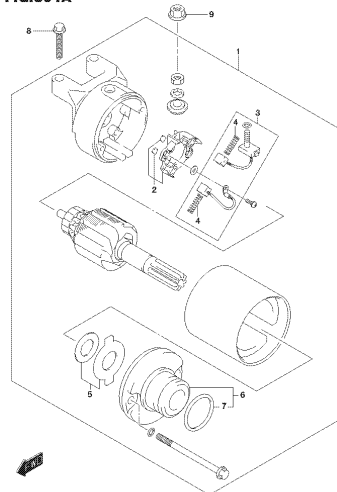
ESK-R150M4\_P08\_206A  
TRANSMISSION

FIG.212A



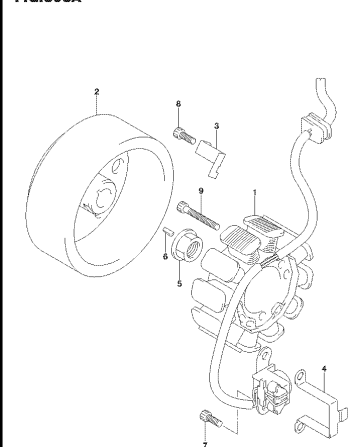
ESK-R150M4\_P08\_212A  
GEAR SHIFTING

FIG.301A



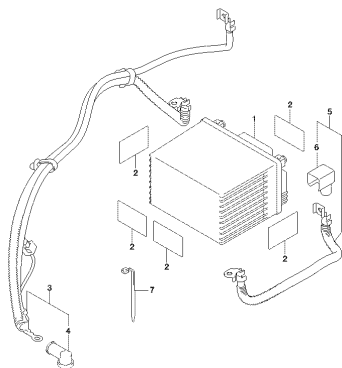
ESK-R150M4\_P08\_301A  
STARTING MOTOR

FIG.303A



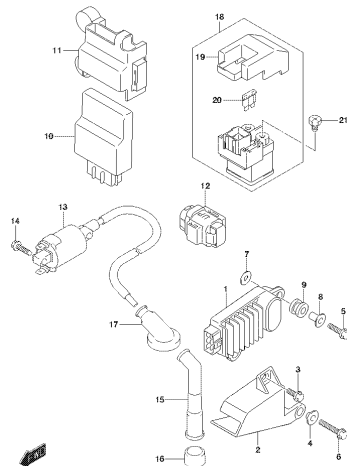
ESK-R150M4\_P08\_303A  
MAGNETO

FIG.310A



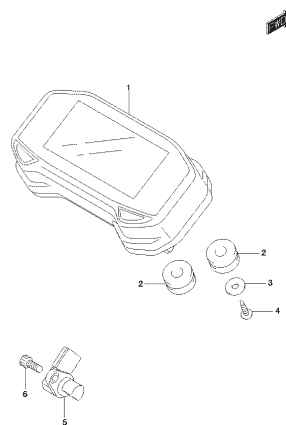
ESK-R150M4\_P08\_310A  
BATTERY

FIG.312A



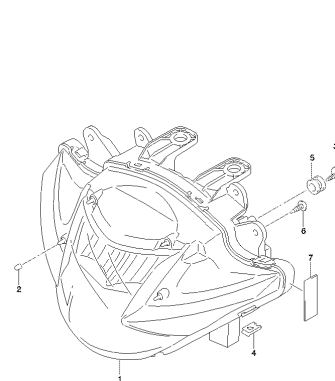
ESK-R150M4\_P08\_312A  
ELECTRICAL

FIG.330A



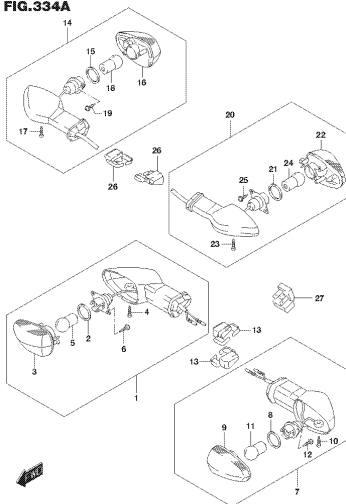
ESK-R150M4\_P08\_330A  
SPEEDOMETER

FIG.333A



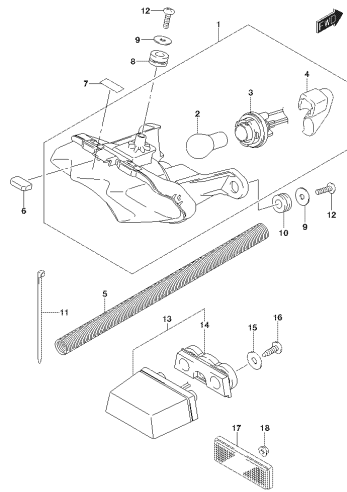
ESK-R150M4\_P08\_333A  
HEADLAMP

FIG.334A



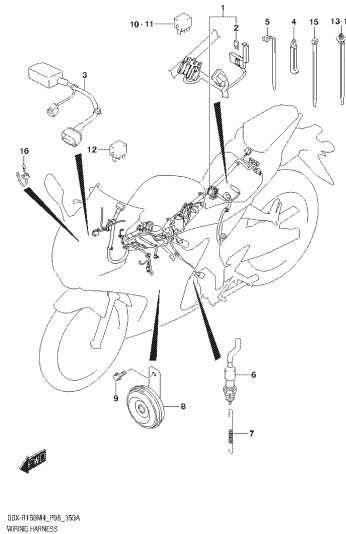
ESK-R150M4\_P08\_334A  
TURN SIGNAL LAMP

FIG.339A



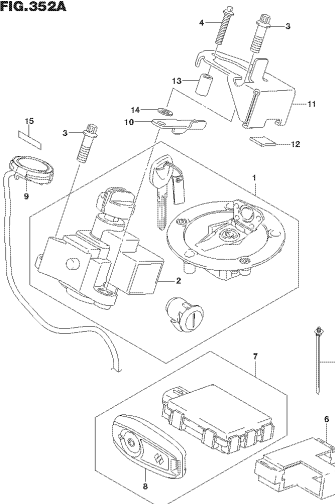
ESK-R150M4\_P08\_339A  
REAR COMBINATION LAMP

FIG.350A



ESK-R150M4\_P08\_350A  
REAR WIRING HARNESS

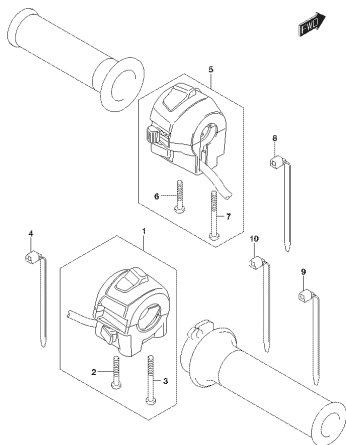
FIG.352A



ESK-R150M4\_P08\_352A  
LOCK SET

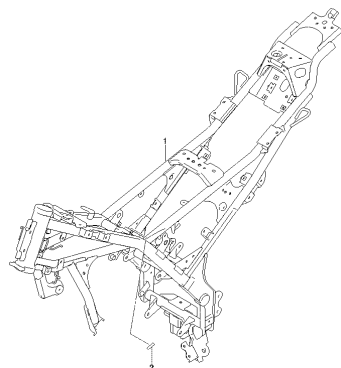


FIG.355A



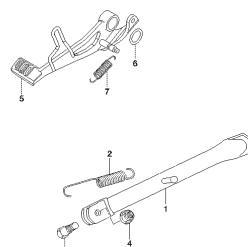
ESK-R150M4\_P08\_355A  
HANDLE SWITCH

FIG.401A



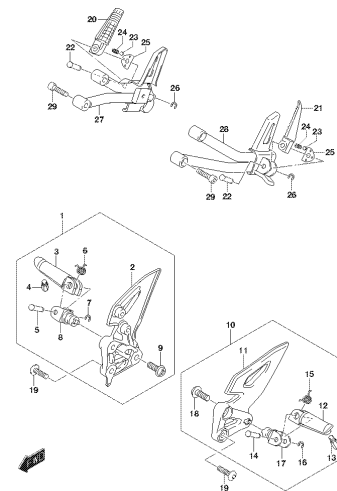
ESK-R150M4\_P08\_401A  
FRAME

FIG.407A



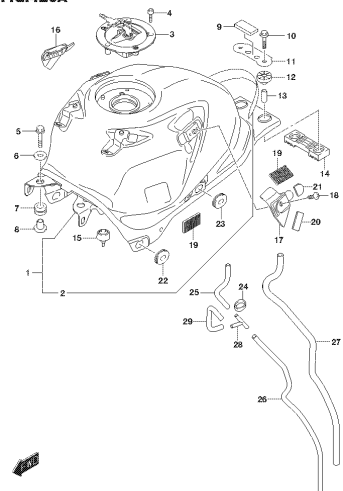
ESK-R150M4\_P08\_407A  
STAND

FIG.415A



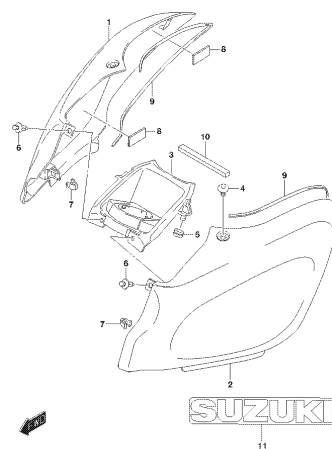
ESK-R150M4\_P08\_415A  
FOOTREST

FIG.420A



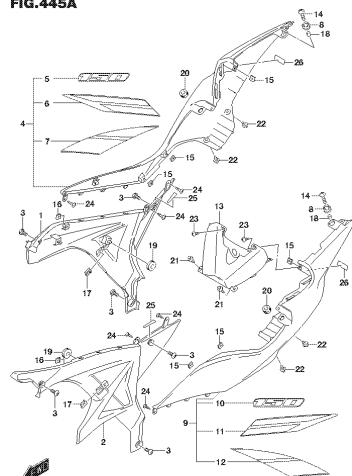
ESK-R150M4\_P08\_420A  
FUEL TANK

FIG.423A



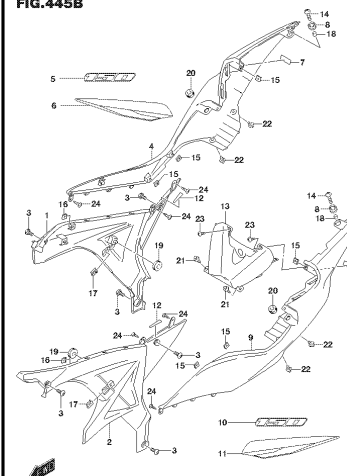
ESK-R150M4\_P08\_423A  
FUEL TANK COVER

FIG.445A



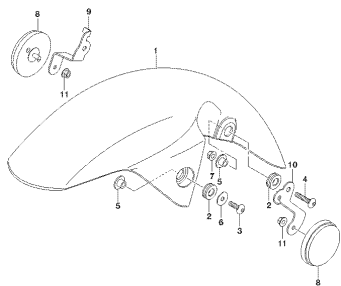
ESK-R150M4\_P08\_445A  
FRAME COVER

FIG.445B



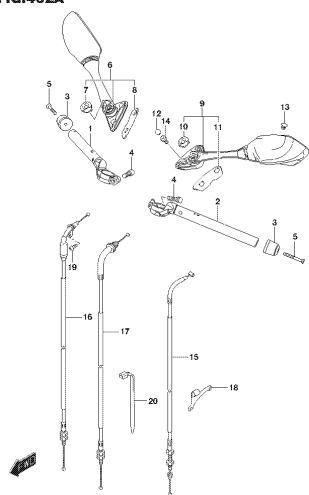
ESK-R150M4\_P08\_445B  
FRAME COVER

FIG.460A



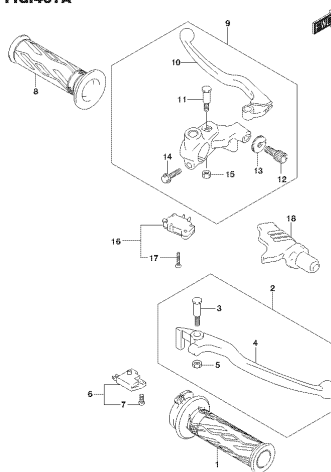
SSX-R150M4\_P08\_460A  
FRONT FENDER

FIG.462A



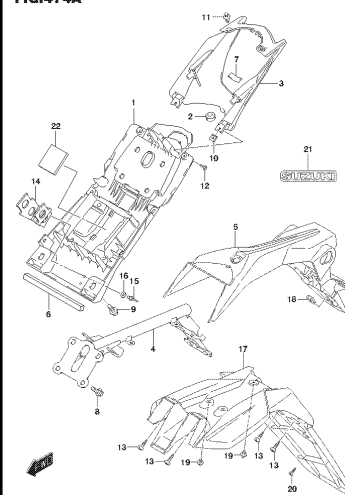
SSX-R150M4\_P08\_462A  
HANDLEBAR

FIG.467A



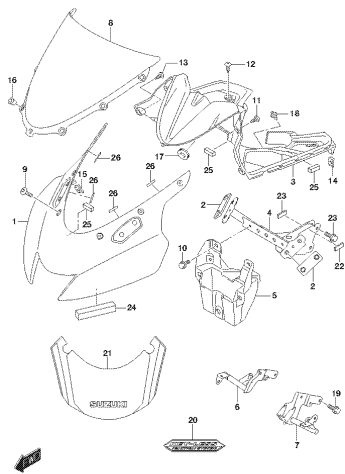
SSX-R150M4\_P08\_467A  
HANDGRIPELDER

FIG.474A



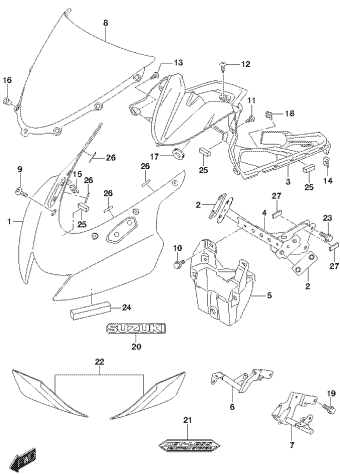
SSX-R150M4\_P08\_474A  
REAR FENDER

FIG.481A



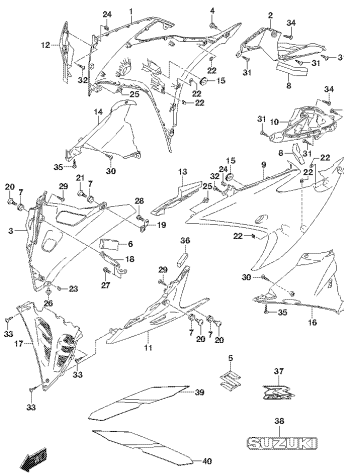
SSX-R150M4\_P08\_481A  
COWLING BODY

FIG.481B



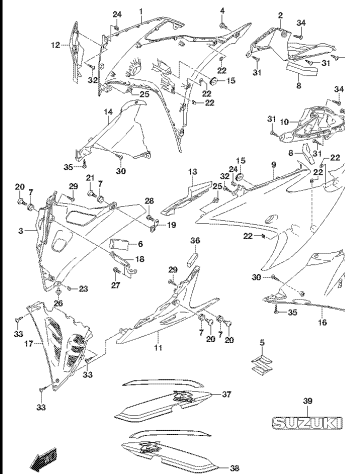
SSX-R150M4\_P08\_481B  
COWLING BODY

FIG.485A



SSX-R150M4\_P08\_485A  
SIDE COWLING

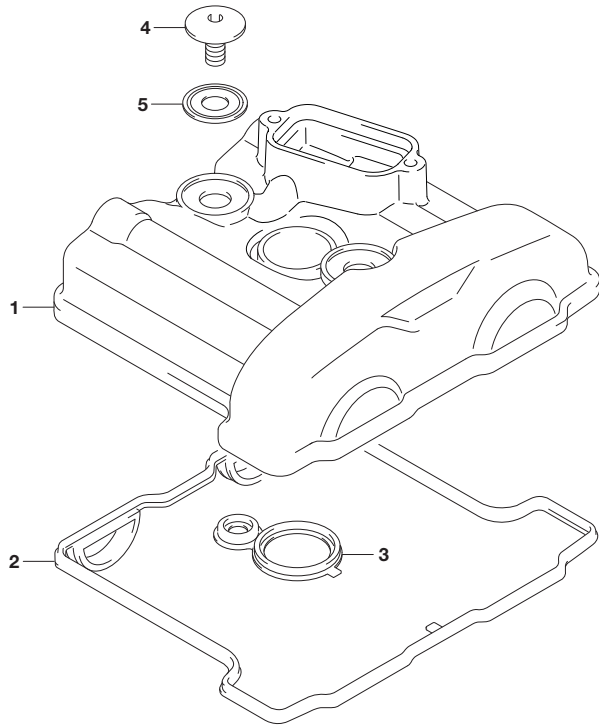
FIG.485B



SSX-R150M4\_P08\_485B  
SIDE COWLING



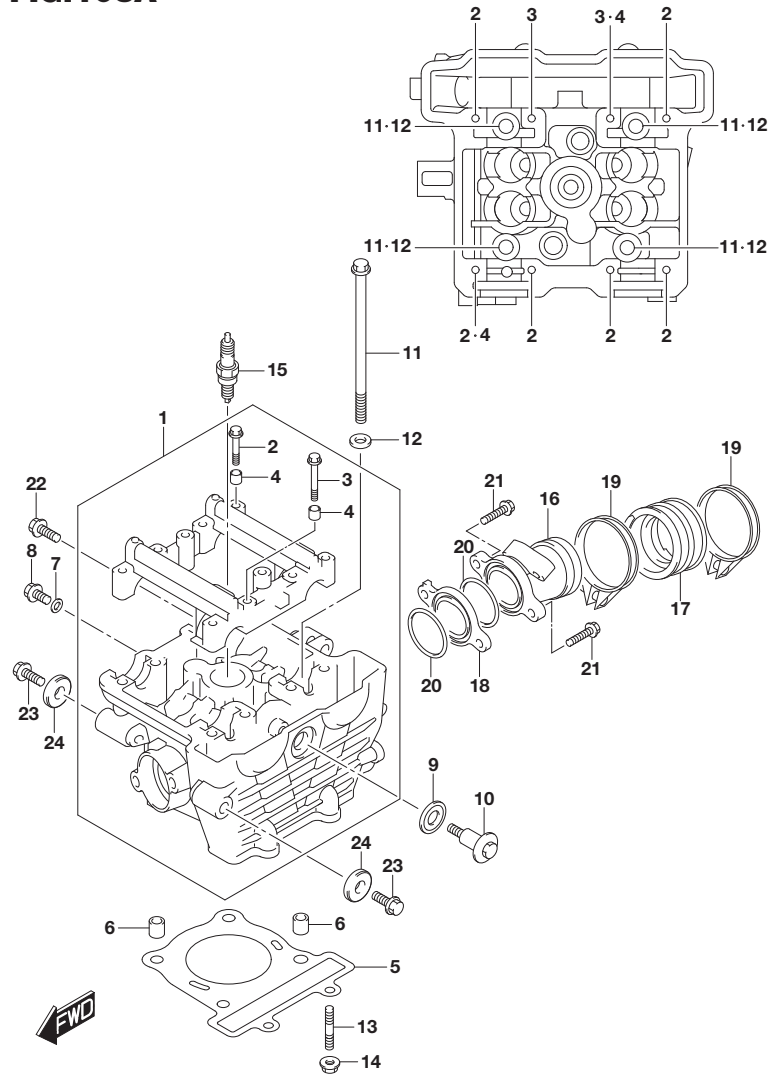


**FIG.102A****FIG.102A (1-B-2) CYLINDER HEAD COVER**

REF NO.	PART NO.	DESCRIPTION	Q'TY	REMARKS
1	11171-23K00-000	COVER, CYLINDER HEAD	1	
2	11173-12K00-000	GASKET,CYL HEAD COVER NO.1	1	
3	11178-12K00-000	GASKET,CYL HEAD COVER	1	
4	09106-07025-000	BOLT (7X12)	2	
5	11191-27E70-000	WASHER (10.6X25.5X1.6)	2	

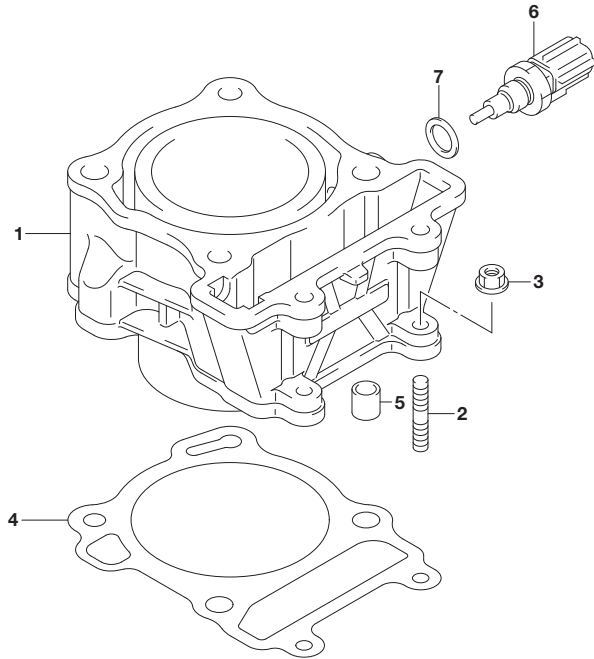


**FIG.103A**



**FIG.103A (1-B-3) CYLINDER HEAD**

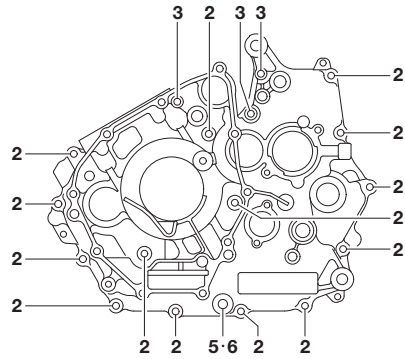
REF NO.	PART NO.	DESCRIPTION	Q'TY	REMARKS
1	11100-23K60-000	HEAD ASSY,CYLINDER	1	
2	09103-06132-000	BOLT (6X41)	6	
3	09103-06165-000	BOLT (6X45)	2	
4	09206-08001-000	PIN (8X11)	2	
5	11141-12K01-000	GASKET,CYLINDER HEAD	1	
6	04211-11129-000	PIN	2	
7	09168-06004-000	GASKET (6.2X11X1.2)	1	
8	01550-0612A-000	BOLT	1	
9	11191-27E70-000	WASHER (10.6X25.5X1.6)	1	
10	09119-06120-000	BOLT (L14.5)	1	
11	11117-12K10-000	BOLT,CYLINDER HEAD (L139)	4	
12	09160-08144-000	WASHER (8.5X16X2.6)	4	
13	01421-0625A-000	BOLT,STUD	2	
14	08316-1006A-000	NUT (6X12)	2	
15-1	09482-00646-000	PLUG,SPARK (MR8E-9)	1	
15-2	09482-00659-000	PLUG,SPARK (U24EPR-N9)	1	
16	13111-12K01-000	PIPE,INTAKE	1	
17	13121-12K00-000	PIPE,INTAKE NO.2	1	
18	13128-12K00-000	INSULATOR,INTAKE PIPE	1	
19	13170-12K00-000	CLAMP,INTAKE PIPE	2	
20	09280-35009-000	O-RING	2	
21	01547-0625A-000	BOLT	2	
22	09103-08555-000	BOLT (8X35)	1	
23	09103-10471-000	BOLT (10X40)	2	
24	11611-23K00-000	SPACER (10X28X6)	2	

**FIG.107A****FIG.107A (1-B-4) CYLINDER**

REF NO.	PART NO.	DESCRIPTION	Q'TY	REMARKS
1	11211-12K01-0F0	CYLINDER	1	
2	01421-0620A-000	BOLT,STUD	2	
3	08316-1006A-000	NUT (6X12)	2	
4	11241-12K00-000	GASKET,CYLINDER (NA)	1	
5	04211-11129-000	PIN	2	
6	13650-49X00-000	SENSOR,TEMP	1	
7	09168-12017-000	GASKET (12X17X1)	1	

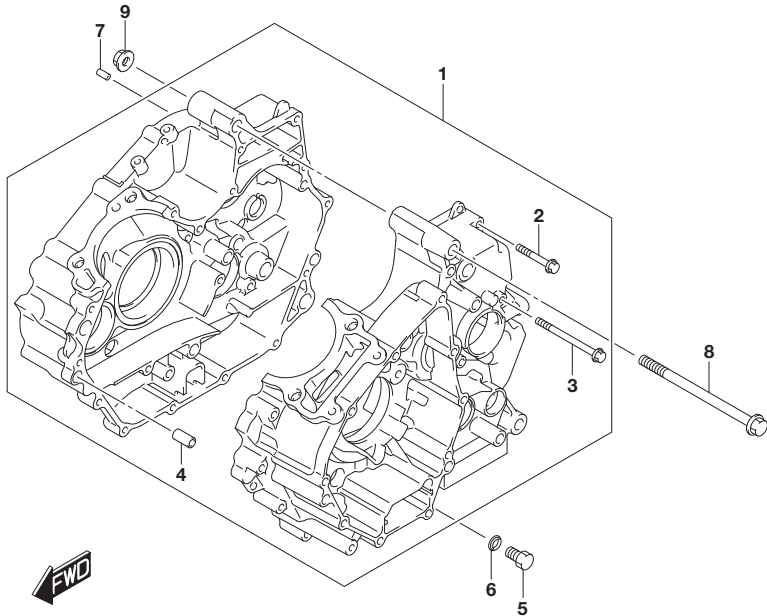


**FIG.108A**



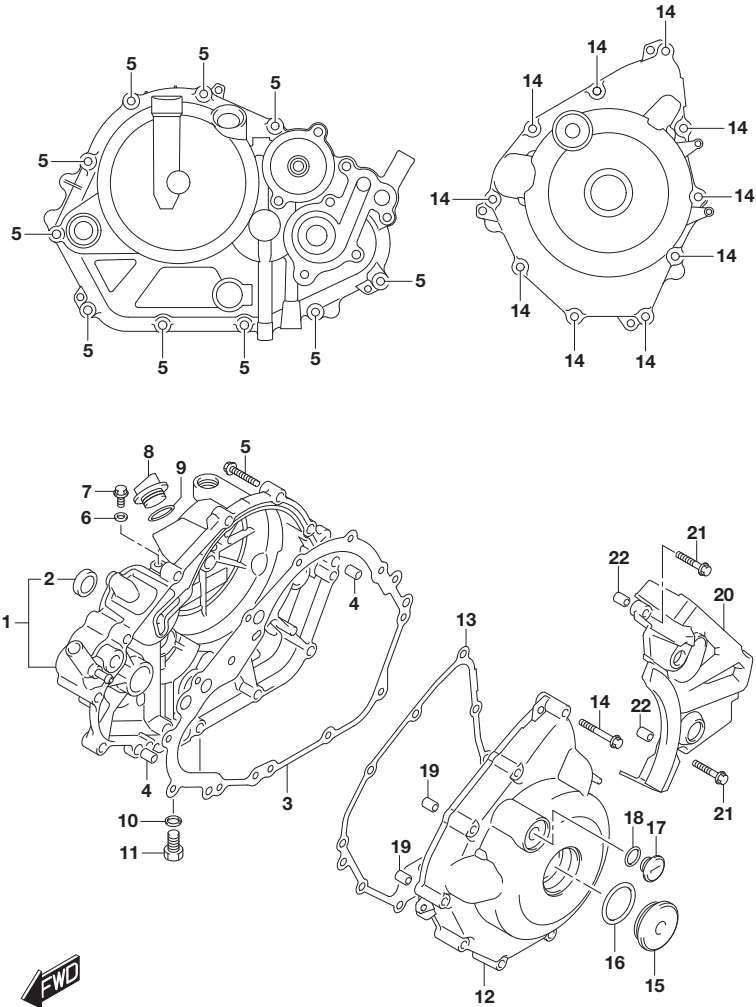
**FIG.108A (1-B-5) CRANKCASE**

REF NO.	PART NO.	DESCRIPTION	Q'TY	REMARKS
1	11300-12K00-000	CRANKCASE ASSY	1	
2	01547-0640B-000	BOLT	14	
3	01547-0675A-000	BOLT	3	
4	09206-10014-000	PIN (6.4X10X20)	2	
5	01550-1016A-000	BOLT	1	OIL DRAIN
6	09168-10L02-000	GASKET (NA)	1	
7	11313-25G00-000	JET, T/M OIL GALLERY	1	
8	09103-10723-000	BOLT (L:140)	2	
9	08319-3110A-000	NUT	2	





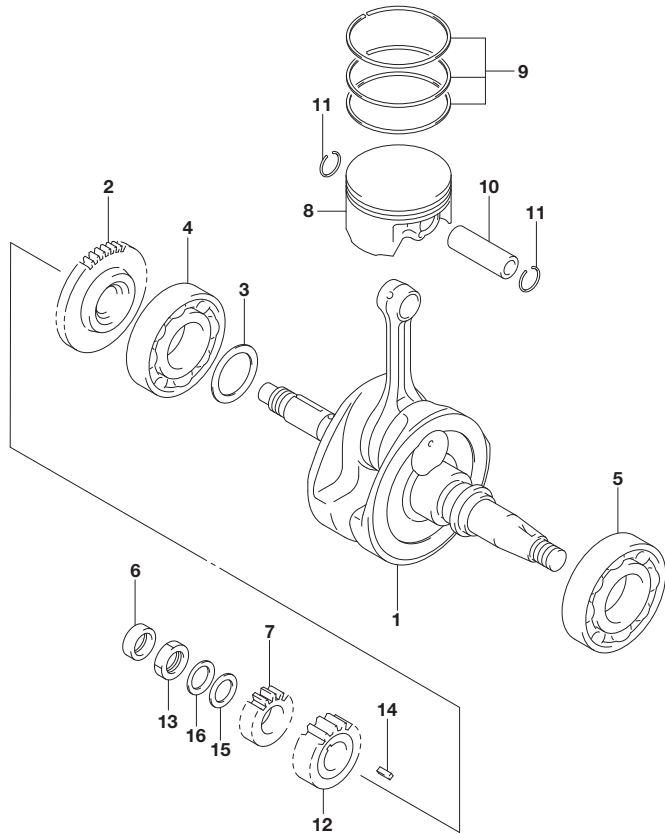
**FIG.112A**



**FIG.112A (1-B-6) CRANKCASE COVER**

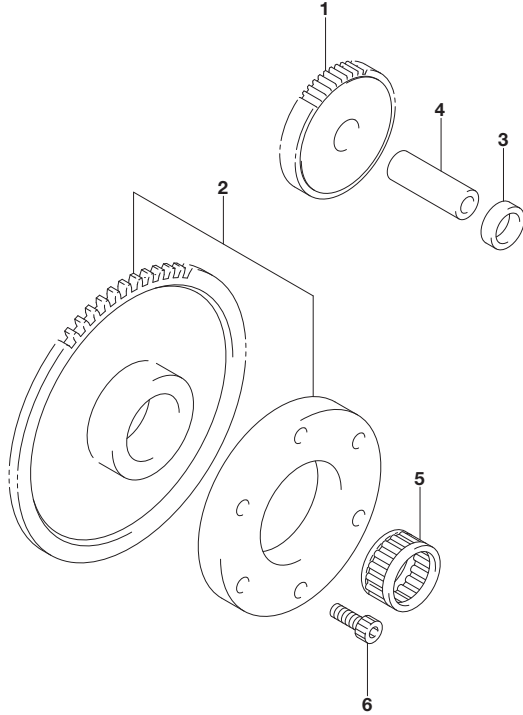
REF NO.	PART NO.	DESCRIPTION	Q'TY	REMARKS
1	11340-12K30-000	COVER,CLUTCH	1	
2	11971-45010-000	LENS,OIL LEVEL CHECK	1	
3	11482-12K00-000	GASKET,CLUTCH COVER	1	
4	09206-08008-000	PIN (6.3X8X12)	2	
5	01547-0630A-000	BOLT	10	
6	09168-06018-000	GASKET (6.2X13X1.2)	1	
7	01547-0610A-000	BOLT	1	
8	11342-25G00-000	PLUG,ENGINE OIL FILLER	1	
9	09280-17003-000	O-RING (D:3.1,ID:16.8)	1	
10	09168-10L02-000	GASKET (NA)	1	
11	01500-1016A-000	BOLT	1	
12	11351-12K20-000	COVER,MAGNETO	1	
13	11483-12K00-000	GASKET,MAGNETO COVER	1	
14	01547-0640B-000	BOLT	10	
15	09259-36031-000	PLUG	1	
16	09280-33004-000	O-RING (D:3.1,ID:32.7)	1	
17	11352-22J00-000	PLUG, TOP	1	
18	09280-14003-000	O-RING (D:2.4,ID:13.8)	1	
19	09206-08008-000	PIN (6.3X8X12)	2	
20	11360-12K10-000	COVER,ENG SPROCKET	1	
21	01547-0630A-000	BOLT	2	
22	09206-08008-000	PIN (6.3X8X12)	2	

**FIG.120A**



**FIG.120A (1-B-7) CRANKSHAFT**

REF NO.	PART NO.	DESCRIPTION	Q'TY	REMARKS
1-1	12200-12K31-000	CRANKSHAFT ASSY	1	
1-2	12200-12KB0-000	CRANKSHAFT ASSY	1	
2	12661-12K00-000	GEAR,CRANK BALANCER DRIVE (NT:44)	1	
3-1	12228-12K00-0A0	SHIM,CRANKSHAFT,R (T:0.6)	1	
3-2	12228-12K00-0B0	SHIM,CRANKSHAFT,R (T:0.65)	1	
3-3	12228-12K00-0C0	SHIM,CRANKSHAFT,R (T:0.7)	1	
3-4	12228-12K00-0D0	SHIM,CRANKSHAFT,R (T:0.75)	1	
3-5	12228-12K00-0E0	SHIM,CRANKSHAFT,R (T:0.8)	1	
3-6	12228-12K00-0F0	SHIM,CRANKSHAFT,R (T:0.85)	1	
3-7	12228-12K00-0G0	SHIM,CRANKSHAFT,R (T:0.9)	1	
3-8	12228-12K00-0H0	SHIM,CRANKSHAFT,R (T:0.95)	1	
3-9	12228-12K00-0J0	SHIM,CRANKSHAFT,R (T:1.0)	1	
3-10	12228-12K00-0K0	SHIM,CRANKSHAFT,R (T:1.05)	1	
3-11	12228-12K00-0L0	SHIM,CRANKSHAFT,R (T:1.1)	1	
3-12	12228-12K00-0M0	SHIM,CRANKSHAFT,R (T:1.15)	1	
3-13	12228-12K00-0N0	SHIM,CRANKSHAFT,R (T:1.2)	1	
3-14	12228-12K00-0P0	SHIM,CRANKSHAFT,R (T:1.25)	1	
3-15	12228-12K00-0R0	SHIM,CRANKSHAFT,R (T:1.3)	1	
3-16	12228-12K00-0S0	SHIM,CRANKSHAFT,R (T:1.35)	1	
3-17	12228-12K00-0T0	SHIM,CRANKSHAFT,R (T:1.4)	1	
4	09262-28058-000	BEARING (28X68X17)	1	RH
5	09262-35103-000	BEARING (35X72X17)	1	LH
6	09282-12L01-000	SEAL,OIL (12X21X7)	1	
7	16321-12K00-000	GEAR,OIL PUMP DRIVE (NT:15)	1	
8	12111-12K00-0F0	PISTON	1	
9	12140-12K00-000	RING SET,PISTON	1	
10	12151-12K00-000	PIN,PISTON	1	
11	09381-15001-000	CIRCLIP	2	
12-1	21111-12K00-0A0	GEAR,PRIMARY DRIVE (NT:21)	1	GREEN
12-2	21111-12K00-0B0	GEAR,PRIMARY DRIVE (NT:21)	1	PINK
13	09140-16019-000	NUT	1	
14	09421-04011-000	KEY	1	
15	08211-16251-000	WASHER	1	
16	09164-16005-000	WASHER	1	

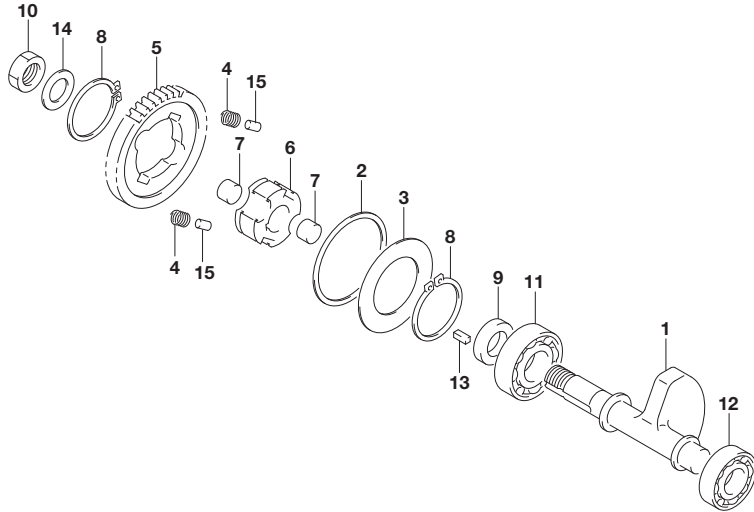
**FIG.122A****FIG.122A (1-B-8) STARTER CLUTCH**

REF NO.	PART NO.	DESCRIPTION	Q'TY	REMARKS
1	12611-12K00-000	GEAR,STARTER IDLE (NT:15/53)	1	
2	12600-12822-000	CLUTCH SET,STARTER (NT:63)	1	
3	09180-13012-000	SPACER (13X19X6)	1	
4	09206-13007-000	PIN (7.4X13X40)	1	
5	09263-22075-000	BEARING (22X29X16.8)	1	
6	07130-0616A-000	BOLT	3	

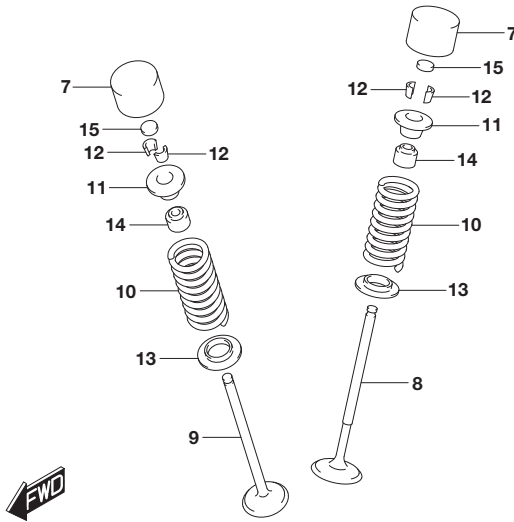
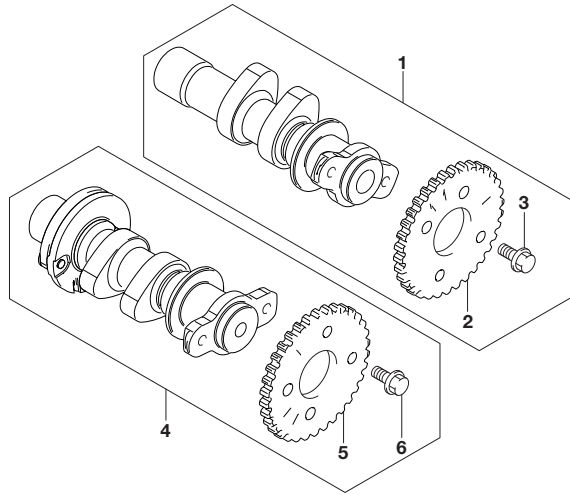
**FIG.124A**

**FIG.124A (1-B-9) CRANK BALANCER**

REF NO.	PART NO.	DESCRIPTION	Q'TY	REMARKS
1	12651-12K02-000	BALANCER,CRANK	1	
2	12662-12K00-000	WASHER,DRIVEN GEAR NO.1	1	
3	12662-34J10-000	WASHER,DRIVEN GEAR NO.2	1	
4	12663-47E50-000	SPRING,CRANK BALANCER GEAR (U20EPR9)	2	
5	12666-12K10-000	GEAR,CRANK BALANCER DRIVEN (NT:44)	1	
6	12669-12K10-000	RACE,CRK BAL DRIVEN GEAR INNER	1	
7	12686-25G31-000	DAMPER,CRANK BALANCER GEAR	2	
8	08331-31359-000	CIRCLIP (NT:12)	2	
9	12668-34J00-000	SPACER,DRIVEN GEAR (NT:19)	1	
10	09140-14022-000	NUT (NT:24)	1	
11	09262-15054-000	BEARING (15X42X13)	1	RH
12	09262-15055-000	BEARING (15X35X11)	1	LH
13	09421-04011-000	KEY	1	
14	08211-14242-000	WASHER (NT:24)	1	
15	09202-05035-000	PIN (5X7.7)	2	



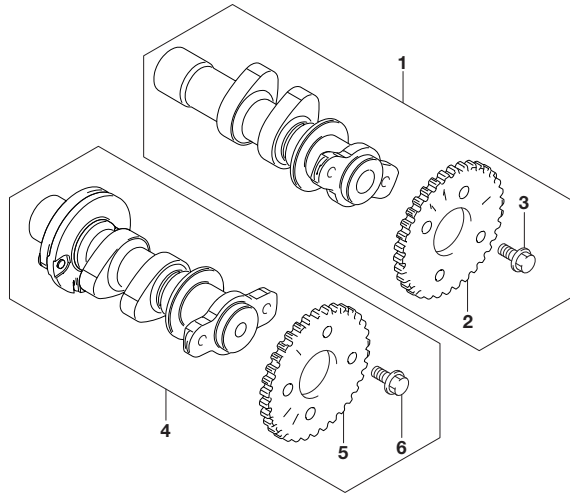
**FIG.126A**



**FIG.126A (1-B-10) CAMSHAFT/VALVE**

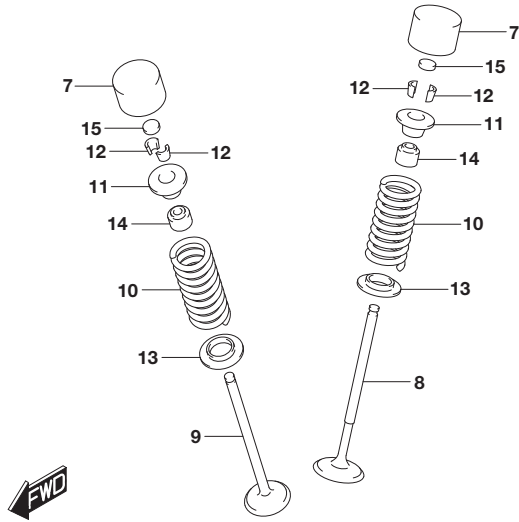
REF NO.	PART NO.	DESCRIPTION	Q'TY	REMARKS
1	12710-12K11-000	CAMSHAFT,INTAKE	1	
2	12741-12K00-000	SPROCKET,CAMSHAFT (NT:34)	1	
3	09103-05025-000	BOLT	2	
4-1	12702-12K10-000	CAMSHAFT,EXHAUST	1	
4-2	12702-12K30-000	CAMSHAFT,EXHAUST	1	
5	12741-12K00-000	SPROCKET,CAMSHAFT (NT:34)	1	
6	09103-05025-000	BOLT	2	
7	12891-25G10-000	TAPPET	4	
8	12911-12K00-000	VALVE,INTAKE	2	
9	12912-12K00-000	VALVE,EXHAUST	2	
10	12921-12K00-000	SPRING,VALVE	4	
11	12931-25G20-000	RETAINER,VALVE SPRING	4	
12-1	12932-32C00-000	COTTER,VALVE	8	
12-2	12932-32C10-000	COTTER,VALVE	8	
13	12933-12K00-000	SEAT,VALVE SPRING	4	
14	09289-04002-000	OIL SEAL (4.5X10X8)	4	
15-1	12892-05C00-120	SHIM,TAPPET (T:1.20)	4	
15-2	12892-05C00-125	SHIM,TAPPET (T:1.25)	4	
15-3	12892-05C00-130	SHIM,TAPPET (T:1.30)	4	
15-4	12892-05C00-135	SHIM,TAPPET (T:1.35)	4	
15-5	12892-05C00-140	SHIM,TAPPET (T:1.40)	4	
15-6	12892-05C00-145	SHIM,TAPPET (T:1.45)	4	
15-7	12892-05C00-150	SHIM,TAPPET (T:1.50)	4	
15-8	12892-05C00-155	SHIM,TAPPET (T:1.55)	4	
15-9	12892-05C00-160	SHIM,TAPPET (T:1.60)	4	
15-10	12892-05C00-165	SHIM,TAPPET (T:1.65)	4	
15-11	12892-05C00-170	SHIM,TAPPET (T:1.70)	4	
15-12	12892-05C00-175	SHIM,TAPPET (T:1.75)	4	
15-13	12892-05C00-180	SHIM,TAPPET (T:1.80)	4	
15-14	12892-05C00-185	SHIM,TAPPET (T:1.85)	4	
15-15	12892-05C00-190	SHIM,TAPPET (T:1.90)	4	
15-16	12892-05C00-195	SHIM,TAPPET (T:1.95)	4	
15-17	12892-05C00-200	SHIM,TAPPET (T:2.00)	4	
15-18	12892-05C00-205	SHIM,TAPPET (T:2.05)	4	
15-19	12892-05C00-210	SHIM,TAPPET (T:2.10)	4	

**FIG.126A**

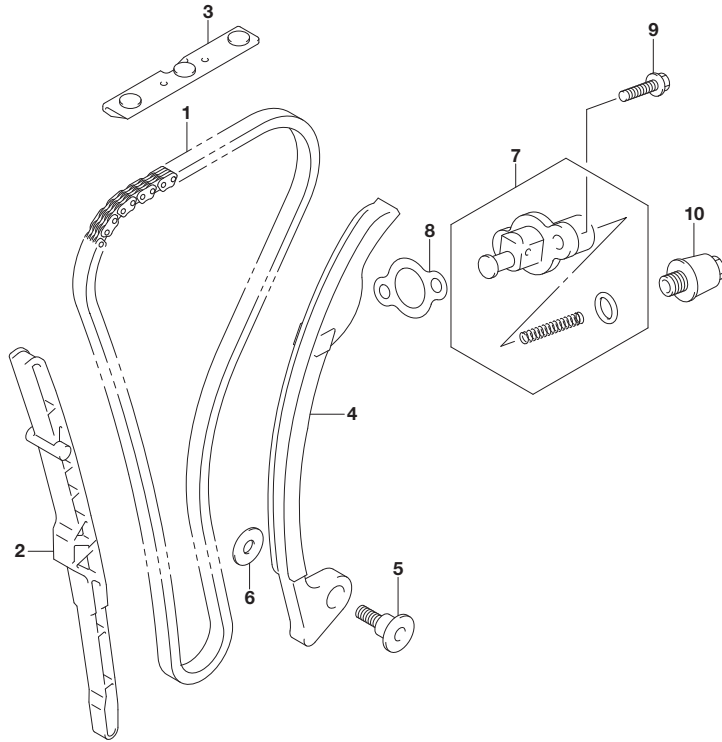


**FIG.126A (1-B-11) CAMSHAFT/VALVE**

REF NO.	PART NO.	DESCRIPTION	Q'TY	REMARKS
15-20	12892-05C00-215	SHIM,TAPPET (T:2.15)	4	
15-21	12892-05C00-220	SHIM,TAPPET (T:2.20)	4	
16	12800-05830-000	SHIM SET,TAPPET (5PCS.EACH)	1	OPT NOT ILLUSTRATED
17	99000-69491-000	CASE,TAPPET SHIM	1	OPT NOT ILLUSTRATED



**FIG.127A**

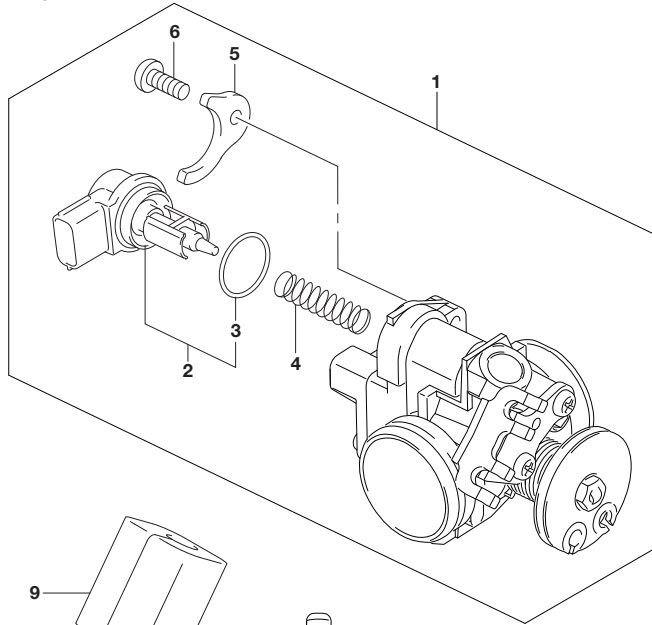


**FIG.127A (1-B-12) CAM CHAIN**

REF NO.	PART NO.	DESCRIPTION	Q'TY	REMARKS
1	12760-12K00-000	CHAIN,CAMSHAFT DRIVE	1	
2	12771-12K00-000	GUIDE,CAM CHAIN NO.1	1	
3	12782-12K01-000	GUIDE,CAM CHAIN NO.2	1	
4	12811-12K00-000	TENSIONER,CAM CHAIN	1	
5	12812-35C00-000	BOLT,CAM CHAIN TENSIONER	1	
6	08211-06181-000	WASHER	1	
7	12830-12K00-000	ADJUSTER ASSY,TENSIONER	1	
8	12837-12K00-000	GASKET,TENSIONER ADJUSTER (NA)	1	
9	01547-0620B-000	BOLT	2	
10	12836-12K01-000	BOLT,ADJUSTER SPRING	1	



**FIG.140A**

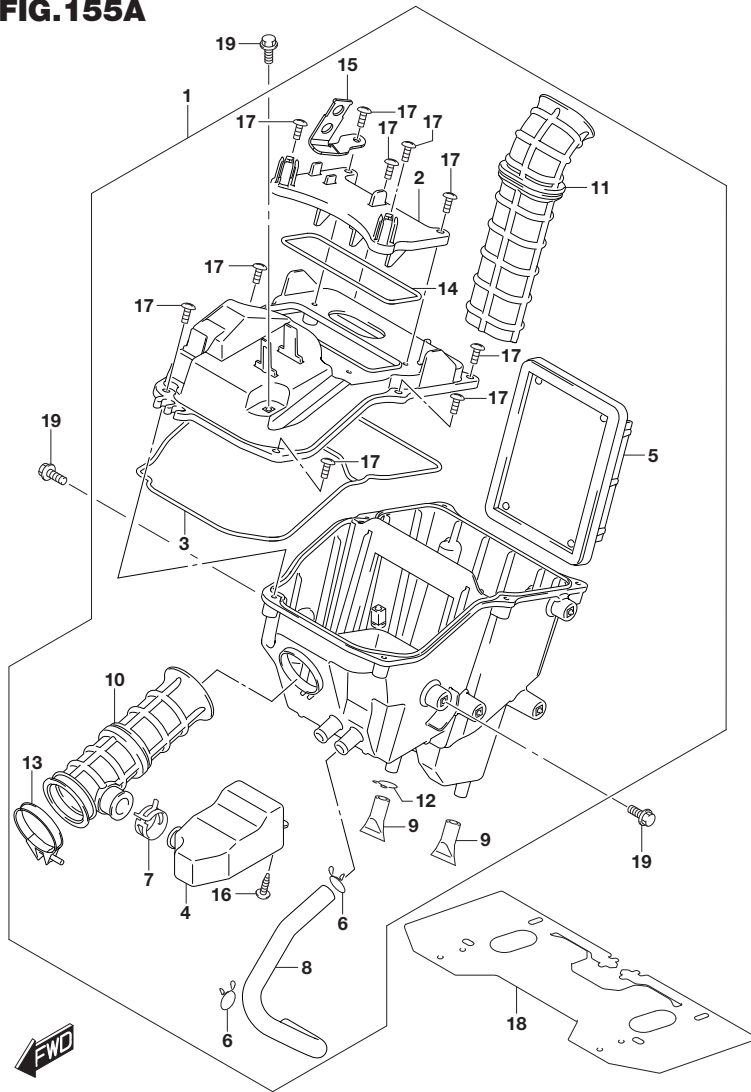


**FIG.140A (1-B-13) THROTTLE BODY**

REF NO.	PART NO.	DESCRIPTION	Q'TY	REMARKS
1	13400-23K00-000	BODY ASSY, THROTTLE	1	
2	18117-09JA0-000	STEPPING MOTOR	1	
3	13438-09JA0-000	O RING	1	
4	13417-09JA0-000	COMPRESSION SPRING	1	
5	13421-42J00-000	PLATE	1	
6	13602-06128-000	SCREW	1	
7	15710-23K00-000	INJECTOR ASSY, FUEL	1	
8	15716-42J00-000	O-RING	1	
9	15719-12K01-000	COVER,FUEL INJECTOR	1	
10	15722-42J00-000	SEAL	1	
11	15830-23K00-000	JOINT,FUEL HOSE	1	
12	01547-0625A-000	BOLT	1	



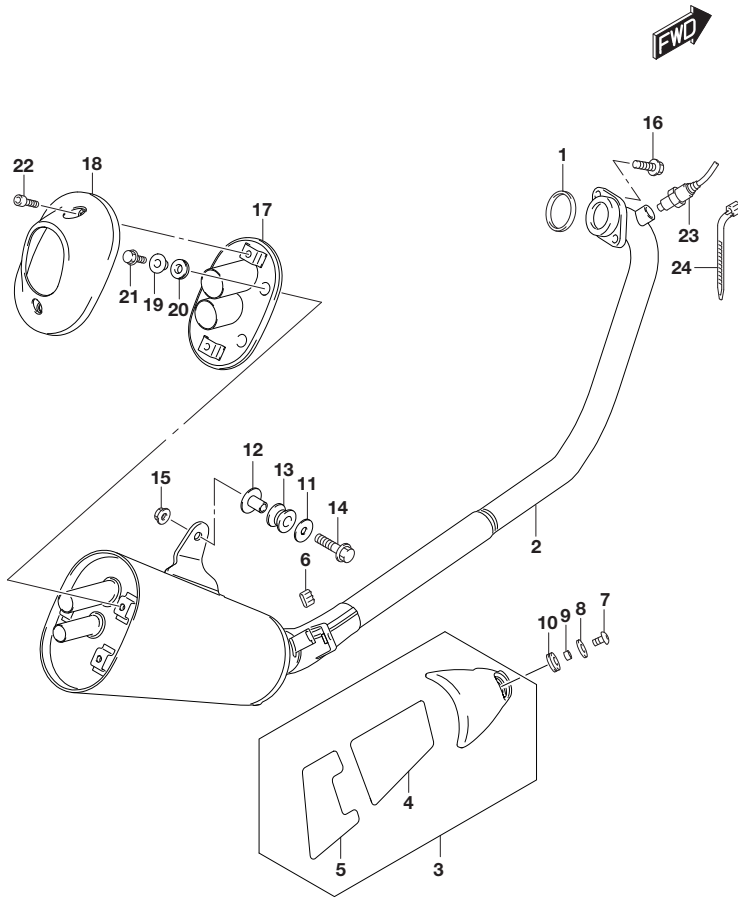
**FIG.155A**



**FIG.155A (1-B-14) AIR CLEANER**

REF NO.	PART NO.	DESCRIPTION	Q'TY	REMARKS
1	13700-23K10-000	CLEANER ASSY,AIR	1	
2	13741-23K00-000	CAP,AIR CLEANER	1	
3	13746-23K00-000	GASKET	1	
4	13761-23K00-000	RESONATOR	1	
5	13780-23K00-000	FILTER ASSY	1	
6	13821-12K00-000	CLIP	2	
7	13822-12K00-000	CLIP	1	
8	13853-23K00-000	TUBE,BREATHER	1	
9	13878-12K00-000	PLUG,DRAIN	2	
10	13881-23K00-000	TUBE,OUTLET	1	
11	13891-23K00-000	TUBE,INLET	1	
12	09401-11101-000	CLIP	1	
13	13826-23K00-000	CLAMP	1	
14	13747-23K00-000	GASKET,CAP FILTER	1	
15	13911-23K01-000	BRACKET,RELAY	1	
16	03541-0512A-000	SCREW	1	
17	03541-0520B-000	SCREW	10	
18	13841-23K00-000	SHEET, AIR CLEANER INLET	1	
19	01550-0612A-000	BOLT	3	

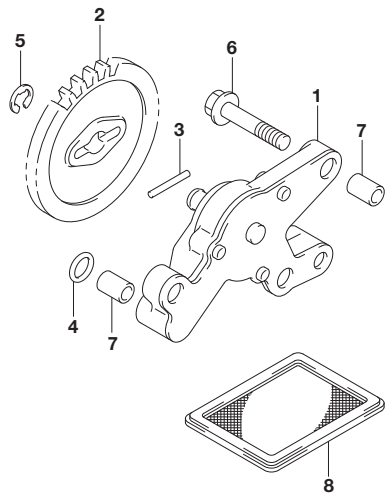
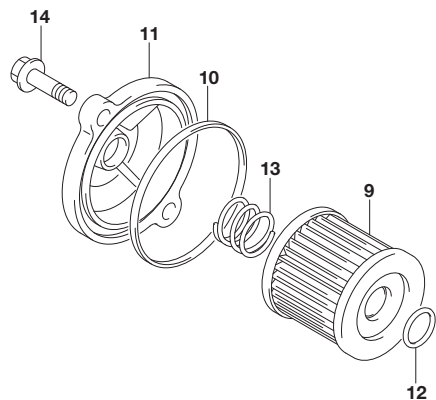
**FIG.163A**



**FIG.163A (1-B-15) MUFFLER**

REF NO.	PART NO.	DESCRIPTION	Q'TY	REMARKS
1	14181-47E20-000	GASKET,EXH PIPE (NA)	1	
2	14310-23K30-000	BODY,MUFFLER	1	
3	14780-23K00-000	COVER,MUFFLER	1	
4	14783-23K00-000	SHIELD,MUF COVER FR	1	
5	14784-23K00-000	SHIELD,MUF COVER RR	1	
6	14795-10FA0-000	GROMMET	1	
7	09139-06027-000	SCREW (6X12)	1	
8	09160-06028-000	WASHER (6.5X18X1.0)	1	
9	09180-06343-000	SPACER	1	
10	09320-08082-000	CUSHION	1	
11	09160-08134-000	WASHER (8.5X26X1.6)	1	
12	09180-08151-000	SPACER (8.6X12X17.5)	1	
13	09320-12032-000	CUSHION	1	
14	01550-0835A-000	BOLT (8X35)	1	
15	08319-3108A-000	NUT	1	
16	01550-0825A-000	BOLT	2	
17	14760-23K00-000	STAY,MUF RR COV	1	
18	14790-23K01-000	COVER,MUF RR	1	
19	09169-06091-000	WASHER	3	
20	09320-08082-000	CUSHION	3	
21	01550-0612B-000	BOLT	3	
22	07130-0616A-000	BOLT	2	
23	18213-12K01-000	SENSOR,OXYGEN	1	
24	36990-25G00-000	CLAMP (L:95)	1	

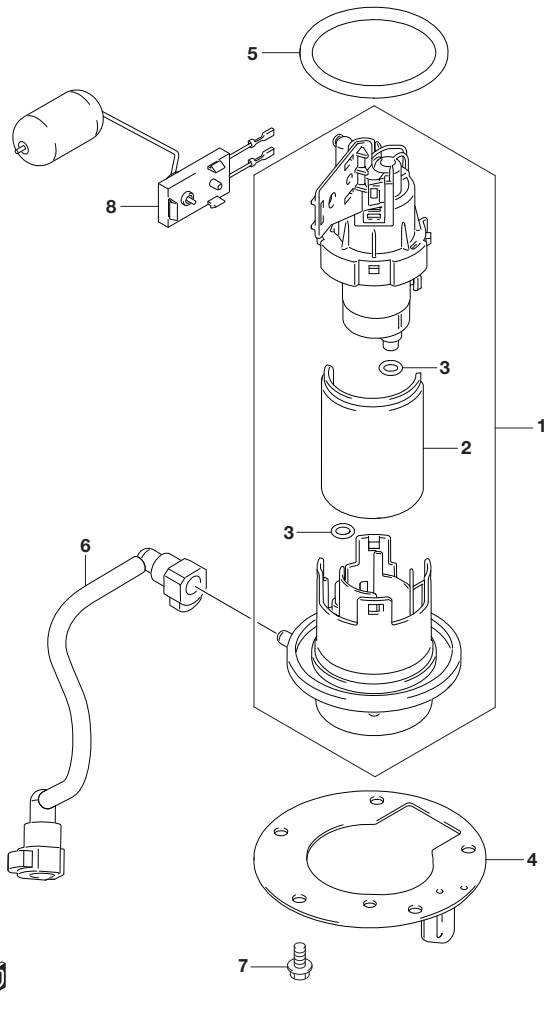
**FIG.170A**



**FIG.170A (1-C-2) OIL PUMP**

REF NO.	PART NO.	DESCRIPTION	Q'TY	REMARKS
1	16400-12K00-000	PUMP ASSY,ENGINE OIL	1	
2	16331-12K00-000	GEAR,OIL PUMP DRIVEN (NT:30)	1	
3	09261-02001-000	PIN (2.5X19.8)	1	
4	09280-08022-000	O-RING (D:2.4,ID:7.8)	1	
5	08332-1106A-000	E-RING	1	
6	01547-0630A-000	BOLT	3	
7	09206-08008-000	PIN (6.3X8X12)	3	
8	16520-45H01-000	STRAINER,ENG OIL	1	
9-1	16510-45H10-000	FILTER,ENGINE OIL	1	NICHIRINDO
9-2	16510-45H20-000	FILTER,ENGINE OIL	1	SELAMAT
10	09280-54001-000	O-RING (D:2.4,ID:52.6)	1	
11	16512-22J30-000	CAP,OIL FILTER	1	
12	09280-13010-000	O-RING (D:1.9,ID:12.5)	1	
13	16519-09J00-000	SPRING,OIL FILTER	1	
14	01547-0620B-000	BOLT	2	

**FIG.172A**

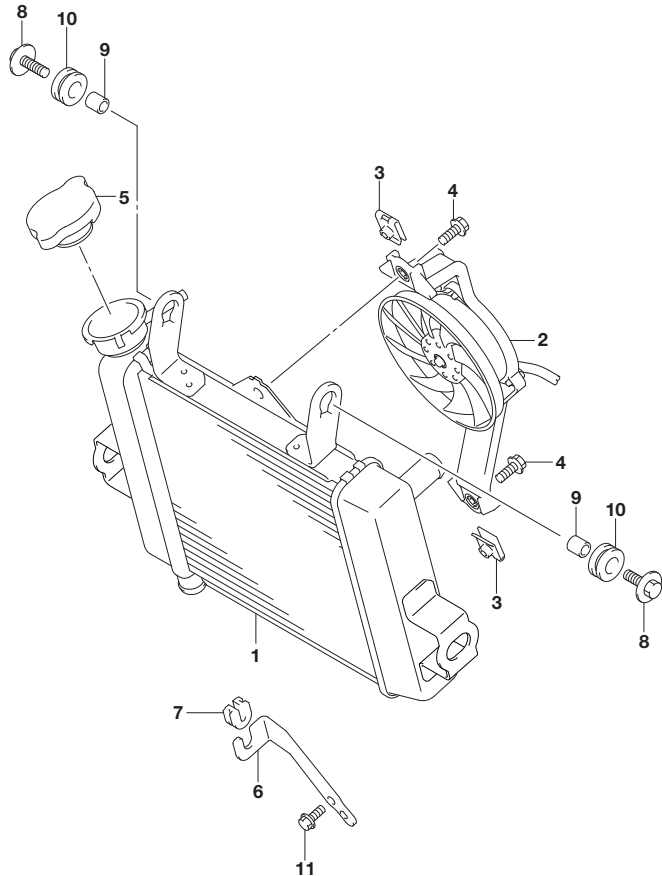


**FIG.172A (1-C-3) FUEL PUMP**

REF NO.	PART NO.	DESCRIPTION	Q'TY	REMARKS
1	15100-23K00-000	PUMP ASSY,FUEL	1	
2	15420-34JB0-000	FILTER	1	
3	15424-09JB0-000	O-RING	2	
4	15120-23K00-000	PLATE,FUEL PUMP	1	
5	15201-23K20-000	O RING,FUEL PUMP	1	
6	15810-23K00-000	HOSE,FUEL	1	
7	01547-0610A-000	BOLT	5	
8	34810-23K10-000	GAUGE ASSY,FUEL LEVEL SENDER	1	



**FIG.185A**



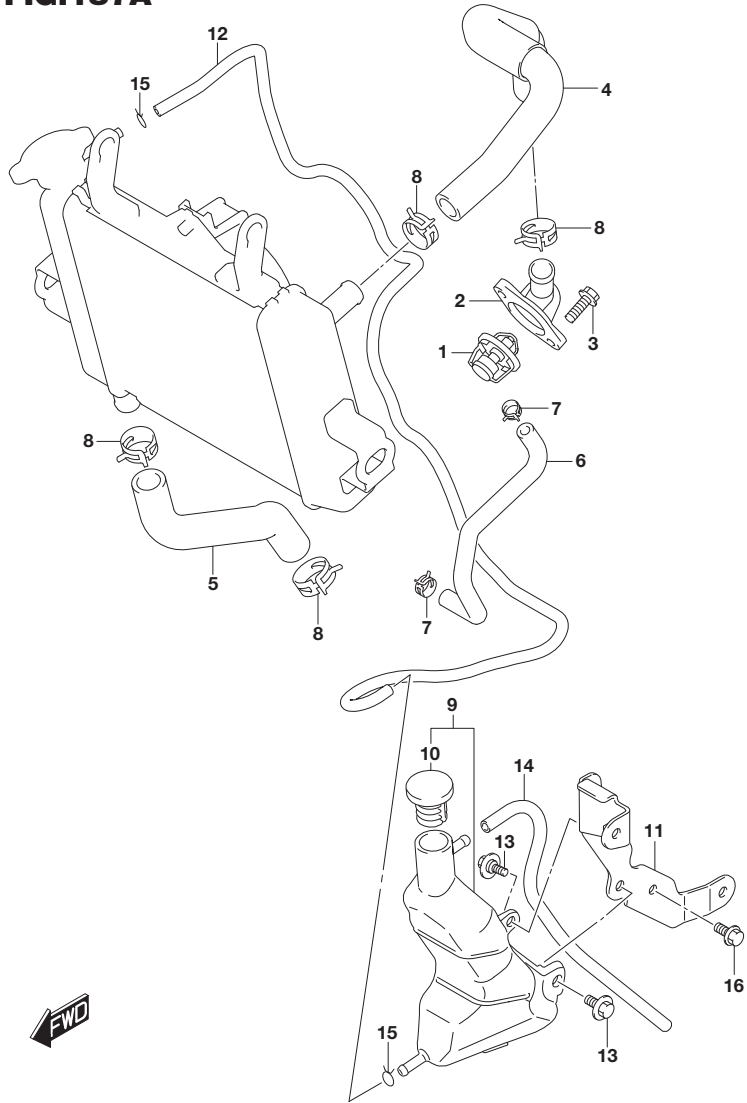
**FIG.185A (1-C-5) RADIATOR**

REF NO.	PART NO.	DESCRIPTION	Q'TY	REMARKS
1	17710-23K00-000	RADIATOR ASSY,WATER	1	
2	17800-12K01-000	FAN ASSY	1	
3	17802-12K00-000	NUT	2	
4	01550-0616A-000	BOLT	2	
5	17730-14G00-000	CAP,RADIATOR (1.1)	1	
6	17751-12K00-000	BRACKET,RADIATOR LOWER	1	
7	17781-12J00-000	CUSHION,RADIATOR LOWER	1	
8	09116-06111-000	BOLT (6X20)	2	
9	09180-06310-000	SPACER (6.5X10X10)	2	
10	09320-10501-000	CUSHION (10X20X10)	2	
11	01550-0610B-000	BOLT	1	

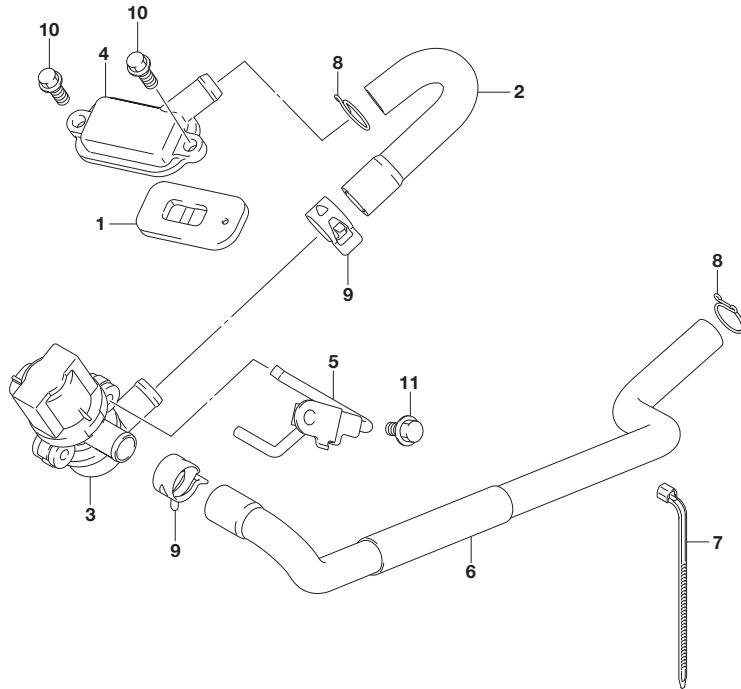
**FIG.187A**

**FIG.187A (1-C-6) RADIATOR HOSE**

REF NO.	PART NO.	DESCRIPTION	Q'TY	REMARKS
1	17670-12K11-000	THERMOSTAT, WATER	1	
2	17661-12K02-000	COVER, THERMOSTAT	1	
3	01547-0620B-000	BOLT	2	
4	17851-23K00-000	HOSE, RADIATOR INLET	1	
5	17852-12K10-000	HOSE, RADIATOR OUTLET	1	
6	17856-12K00-000	HOSE, WATER BYPASS	1	
7	09401-10417-000	CLIP	2	
8	09401-20406-000	CLIP	4	
9	17910-23K00-000	TANK ASSY, RESERVOIR	1	
10	17931-31J10-000	CAP, WATER RSVR TANK	1	
11	17920-23K10-000	BRACKET, RESERVOIR TANK	1	
12	17981-23K00-000	HOSE, RESERVOIR TANK INLET	1	
13	09111-06063-000	BOLT (6X12)	2	
14	09352-50007-140	HOSE, RSVR TANK OVFL	1	
15	09401-08402-000	CLIP (ID:8)	2	
16	01547-0610A-000	BOLT	2	



**FIG.189A**



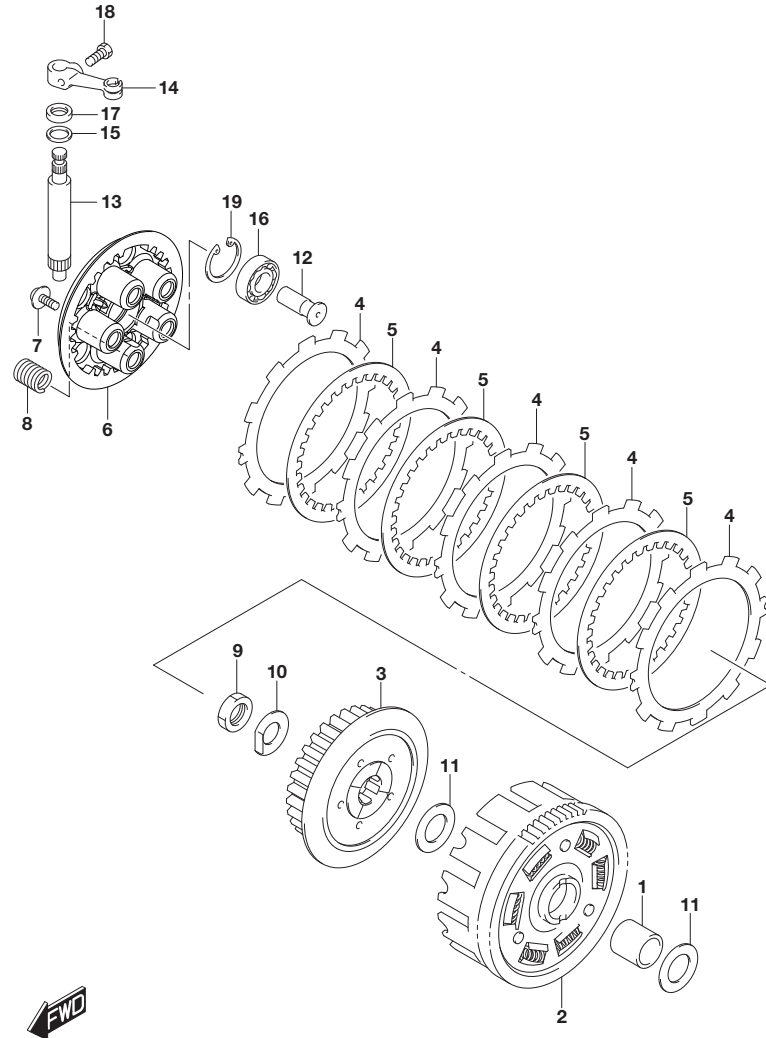
**FIG.189A (1-C-7) 2ND AIR**

REF NO.	PART NO.	DESCRIPTION	QTY	REMARKS
1	18450-06G10-000	VALVE ASSY,2ND AIR REED	1	
2	18461-23K01-000	HOSE,2ND AIR VALVE	1	
3	18510-48H10-000	VALVE ASSY,AIR CUT	1	
4	18531-09J30-000	COVER,2ND AIR REED VALVE	1	
5	18610-23K10-000	BRACKET,2ND AIR VALVE	1	
6	18711-23K01-000	HOSE,2ND AIR CLNR	1	
7	36990-25G20-000	CLAMP (L:165)	1	
8	09401-15101-000	CLIP (ID:15.5)	2	
9	09401-17L01-000	CLIP	2	
10	01547-0616A-000	BOLT	2	
11	01550-0612A-000	BOLT	1	





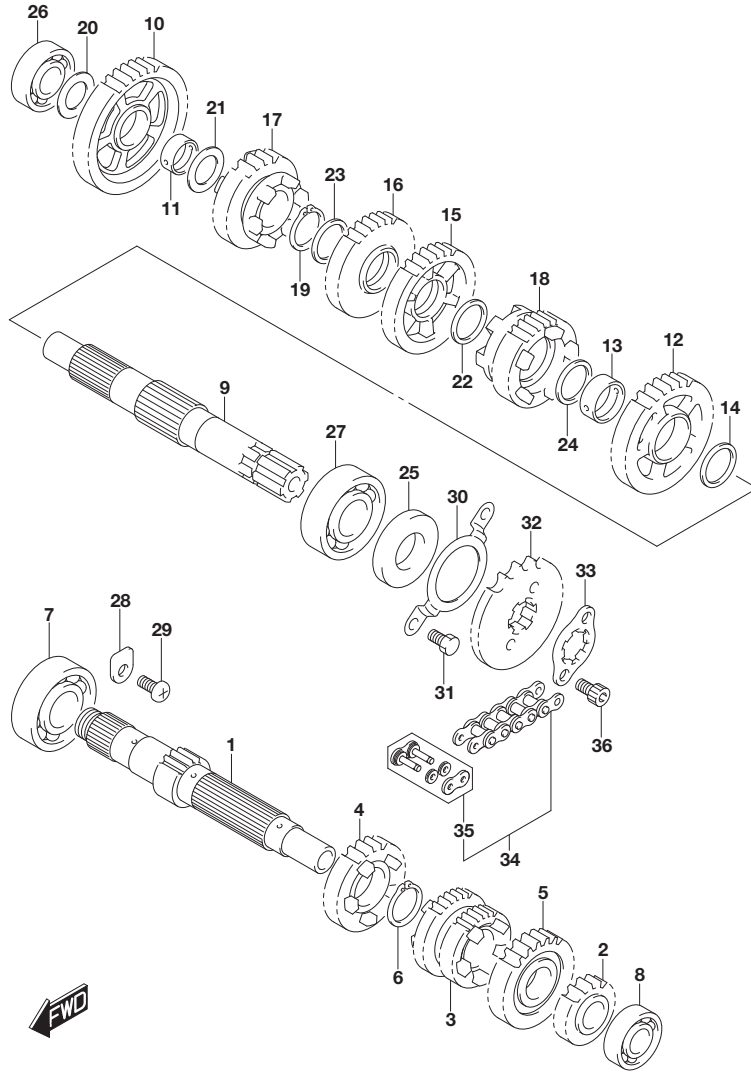
**FIG.201A**



**FIG.201A (1-C-8) CLUTCH**

REF NO.	PART NO.	DESCRIPTION	Q'TY	REMARKS
1	21251-12K02-000	SPACER,PRIMARY DRIVEN GEAR	1	
2-1	21200-12K10-0A0	GEAR ASSY,PRIMARY DRIVEN (NT:6 9)	1	
2-2	21200-12K10-0B0	GEAR ASSY,PRIMARY DRIVEN (NT:6 9)	1	
3	21411-05241-000	HUB,CLUTCH SLEEVE	1	
4	21441-25G10-000	PLATE,CLUTCH DRIVE (T:3.0)	5	
5	21451-28040-000	PLATE,CLUTCH DRIVEN (T:1.6)	4	
6	21462-23K00-000	DISC,CLUTCH PRESSURE	1	
7	09116-05147-000	BOLT (5X16)	5	
8	09440-15042-000	SPRING	5	
9	21414-12K00-000	NUT	1	
10	09169-16009-000	WASHER	1	
11	08211-20352-000	WASHER	2	
12	23165-28G60-000	RACK,CLUTCH RELEASE	1	
13	23261-12K01-000	PINION,CLUTCH RELEASE	1	
14	23271-47E20-000	ARM,CLUTCH RELEASE	1	
15	09160-12086-000	WASHER (12.5X17X1)	1	
16	08110-62000-000	BEARING	1	
17	09285-10008-000	SEAL,OIL (10X17X5)	1	
18	01500-0616A-000	BOLT	1	
19	08331-41309-000	CIRCLIP	1	

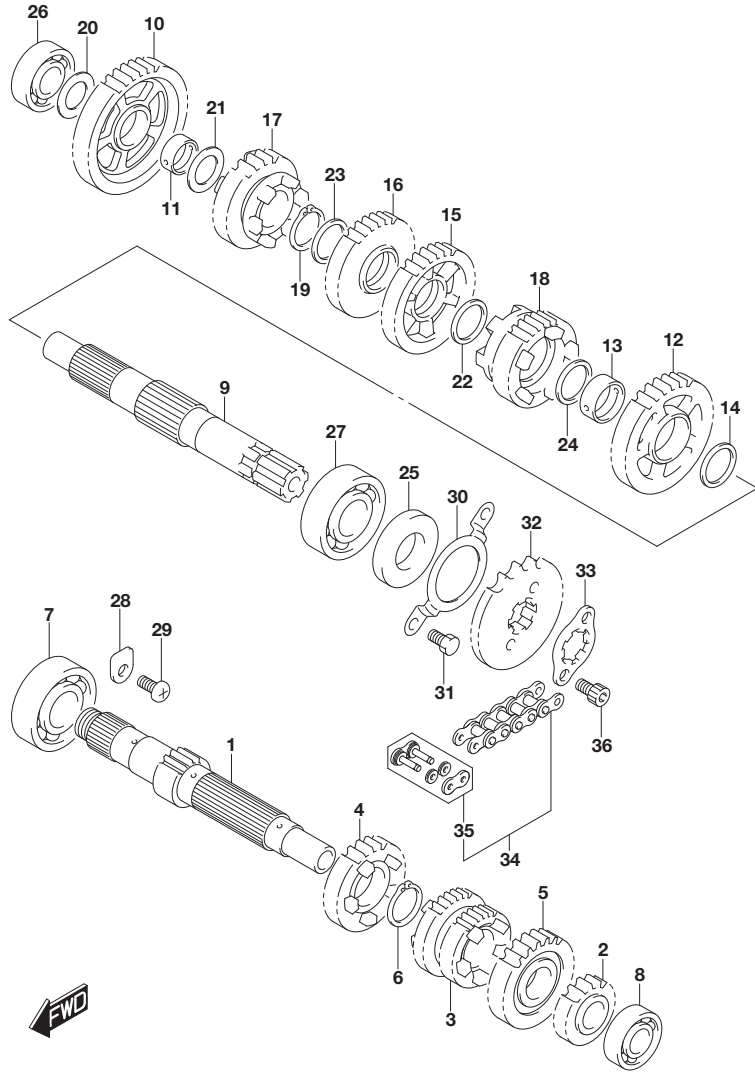
**FIG.206A**



**FIG.206A (1-C-9) TRANSMISSION**

REF NO.	PART NO.	DESCRIPTION	Q'TY	REMARKS
1	24121-12K10-000	SHAFT,COUNTER (NT:13)	1	
2-1	24221-12K10-000	GEAR,2ND DRIVE (NT:15)	1	
2-2	24221-12K50-000	GEAR,2ND DRIVE (NT:15)	1	
3	24231-12K10-000	GEAR,3RD & 4TH DRIVE (NT:21/23 )	1	
4	24251-12K40-000	GEAR,5TH DRIVE (NT:22)	1	
5	24261-12K40-000	GEAR,6TH DRIVE (NT:27)	1	
6	09380-20009-000	CIRCLIP	1	
7	08110-62040-000	BEARING	1	RH
8	08120-60020-000	BEARING	1	LH
9	24130-12820-000	SHAFT,DRIVE	1	
10-1	24311-12K10-000	GEAR,1ST DRIVEN (NT:38)	1	
10-2	24311-12K50-000	GEAR,1ST DRIVEN	1	
11	24312-12K00-000	BUSH,1ST DRIVEN GEAR	1	
12	24321-12K10-000	GEAR,2ND DRIVEN (NT:29)	1	
13	24322-12K00-000	BUSH,2ND DRIVEN GEAR	1	
14	24323-12K00-000	WASHER,2ND DRIVEN GEAR,L	1	
15	24331-12K10-000	GEAR,3RD DRIVEN (NT:31)	1	
16	24341-12K40-000	GEAR,4TH DRIVEN (NT:28)	1	
17-1	24351-12K00-000	GEAR,5TH DRIVEN (NT:23)	1	
17-2	24351-12K10-000	GEAR,5TH DRIVEN (NT:23)	1	
18-1	24361-12K00-000	GEAR,6TH DRIVEN (NT:25)	1	
18-2	24361-12K10-000	GEAR,6TH DRIVEN (NT:25)	1	
19	09380-20009-000	CIRCLIP	1	
20	08211-15251-000	WASHER	1	
21	08211-16251-000	WASHER	1	
22	08211-20241-000	WASHER	1	
23	08211-20241-000	WASHER	1	
24	08211-20261-000	WASHER	1	
25	24399-12K00-000	SEAL,DRIVE SHAFT OIL	1	
26	08110-62020-000	BEARING	1	
27	09262-20178-000	BEARING	1	

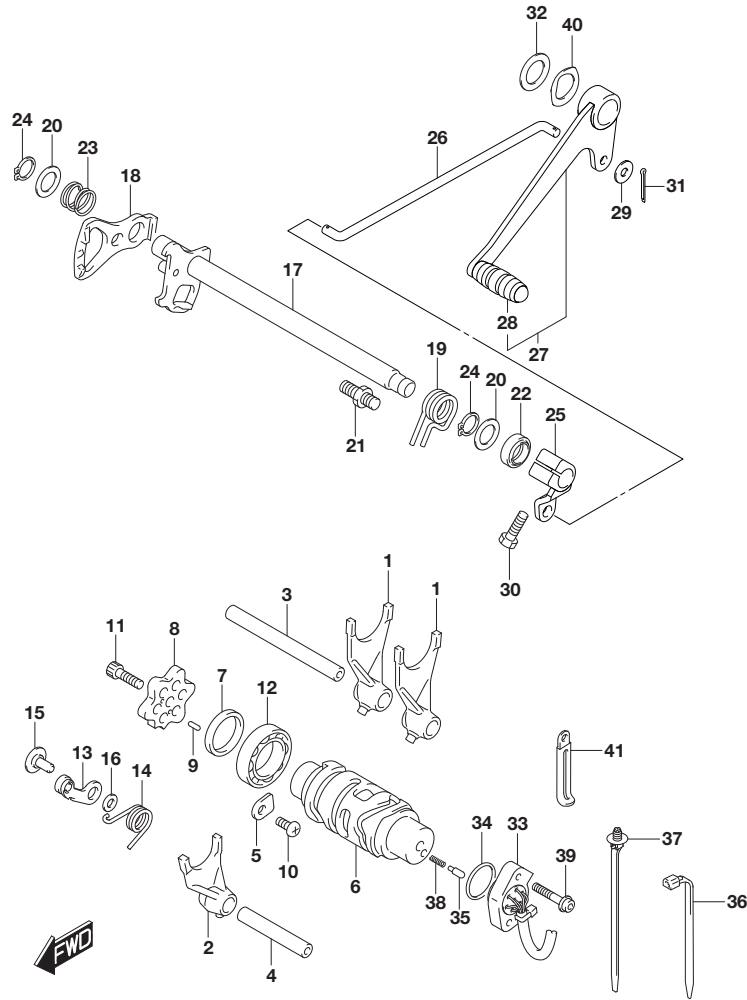
**FIG.206A**



**FIG.206A (1-C-10) TRANSMISSION**

REF NO.	PART NO.	DESCRIPTION	Q'TY	REMARKS
28	24741-20A10-000	RETAINER,SHIFT CAM,R BEARING	1	
29	02112-0612A-000	SCREW	1	
30	24751-05210-000	RETAINER,DRIVE SHAFT OIL SEAL	1	
31	01500-0610A-000	BOLT	2	
32	27511-23K10-000	SPROCKET,ENGINE (NT:15)	1	
33	27512-25G00-000	PLATE,ENGINE SPROCKET	1	
34-1	27610-12K20-122	CHAIN ASSY,DRIVE(122L)	1	
34-2	27610-12K20-122	CHAIN ASSY,DRIVE (122L,GREEN)	1	
35-1	27620-12K20-000	JOINT LINK (RK)	1	
35-2	27620-12K20-000	JOINT LINK (RK)	1	
36	07130-0610A-000	BOLT	2	

**FIG.212A**



GSX-R150M4\_P08\_212A  
GEAR SHIFTING

**FIG.212A (1-C-11) GEAR SHIFTING**

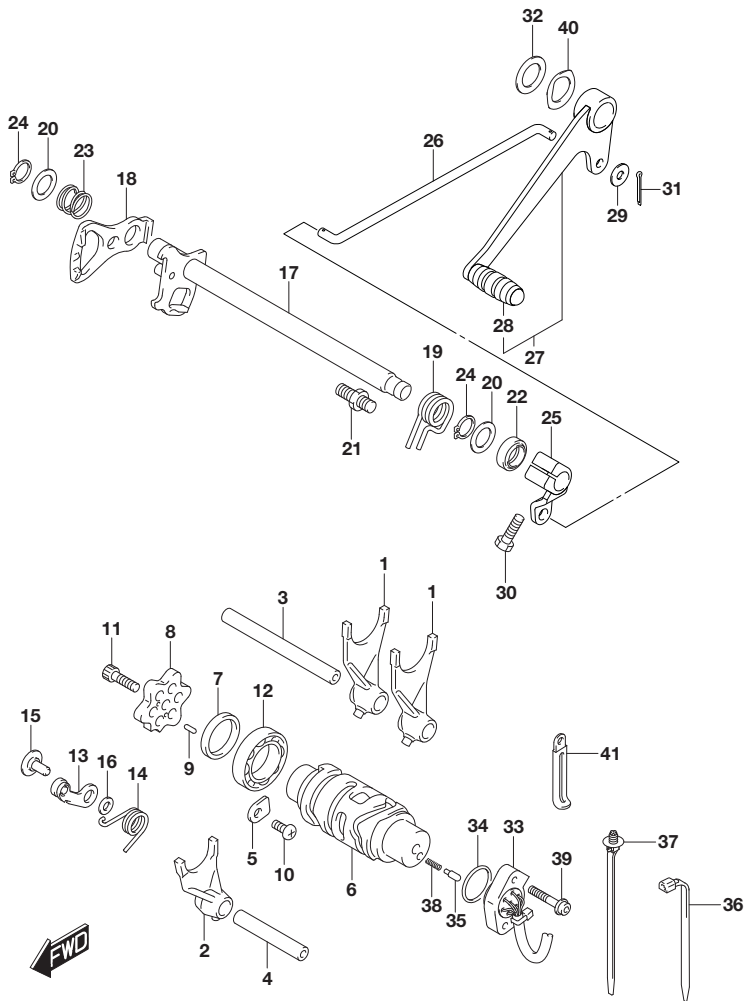
REF NO.	PART NO.	DESCRIPTION	Q'TY	REMARKS
1	25211-12K00-000	FORK,GEAR SHIFT NO.1	2	
2	25231-12K00-000	FORK,GEAR SHIFT NO.3	1	
3	25411-25G10-000	SHAFT,GEAR SHIFT FORK NO.1	1	
4	25421-25G10-000	SHAFT,GEAR SHIFT FORK NO.2	1	
5	24741-20A10-000	RETAINER,SHIFT CAM,R BEARING	1	
6	25311-12K00-000	CAM,GEAR SHIFT	1	
7	25312-12K00-000	SPACER,GEAR SHIFT CAM BRG	1	
8	25381-12K00-000	PLATE,GEAR SHIFT CAM	1	
9	09261-03002-000	PIN (3X9.8)	2	
10	02112-0612A-000	SCREW	1	
11	07130-0620A-000	BOLT	1	
12	08110-69050-000	BEARING	1	
13	25350-26D01-000	STOPPER,GEAR SHIFT CAM	1	
14	25355-12K00-000	SPRING,GEAR SHIFT CAM STOPPER	1	
15	25357-22J00-000	BOLT,SHIFT CAM STOPPER	1	
16	08211-06121-000	WASHER	1	
17	25510-12K11-000	SHAFT,GEAR SHIFT	1	
18	25512-12K01-000	PLATE,GEAR SHIFT CAM DRIVE	1	
19	25518-12K10-000	SPRING,SHIFT SHAFT RETURN	1	
20	25519-25G00-000	WASHER,GEAR SHIFT SHAFT,R (14X 22X1)	2	
21	25671-22J10-000	STOPPER,GEAR SHIFT ARM	1	
22	09283-14014-000	SEAL,OIL (14X22X6)	1	
23	09440-17013-000	SPRING	1	
24	08331-31149-000	CIRCLIP	2	
25	25520-23K00-000	ARM,GEAR SHIFT LINK	1	
26	25525-23K00-000	ROD,GEAR SHIFT LINK	1	
27	25600-23K61-000	LEVER ASSY,GEAR SHIFT	1	
28	25652-16H11-000	RUBBER,GEAR SHIFT	1	
29	25617-30H00-000	WASHER,GEAR SHIFT LINK ROD (6. 2X16X1.2)	2	
30	01500-0620A-000	BOLT	1	
31	04111-2015A-000	PIN	2	
32	09160-18043-000	WASHER (18X24X1)	1	
33	37720-12K12-000	BASE ASSY,GEAR SHIFT TERM	1	

GSX-R150M4\_P08

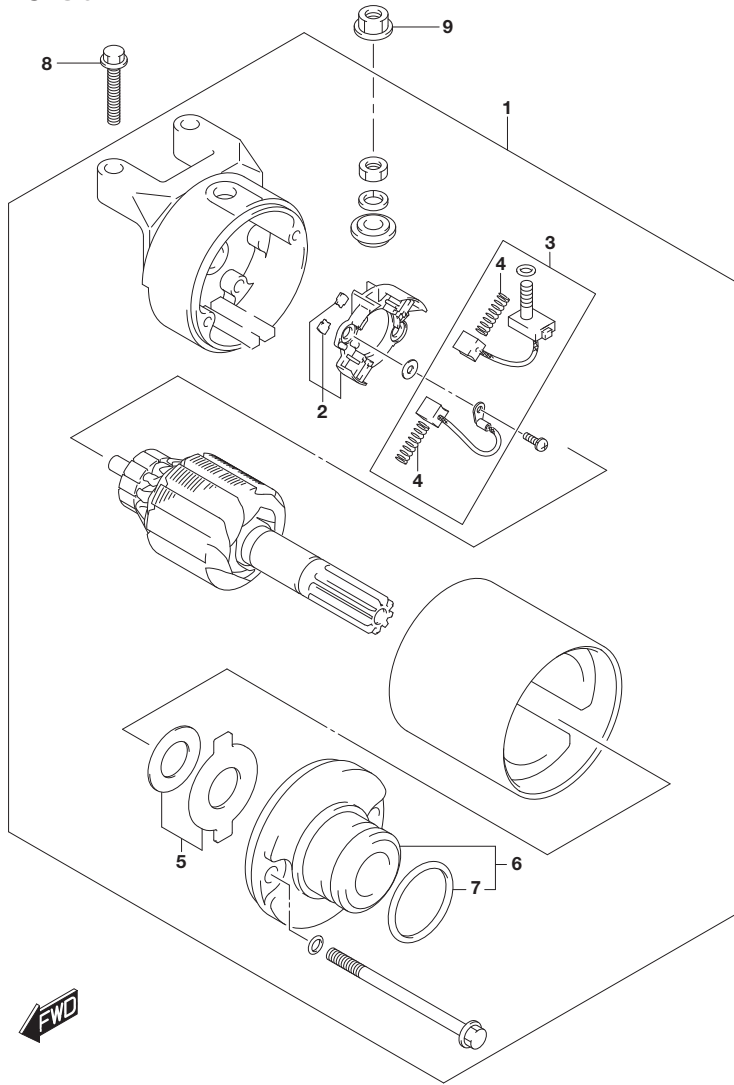
**FIG.212A**

**FIG.212A (1-C-12) GEAR SHIFTING**

REF NO.	PART NO.	DESCRIPTION	Q'TY	REMARKS
34	37722-25G00-000	O-RING,GEAR SHIFT SW (D:2.4,ID :26.2)	1	
35	09209-05011-000	PIN (5X15.5)	2	
36	36990-25G20-000	CLAMP (L:165)	1	
37	09407-17403-000	CLAMP (L:170)	1	
38	09440-04010-000	SPRING	2	
39	07130-0520A-000	BOLT	2	
40	09164-18002-000	WASHER (18.7X26X0.3)	1	
41	09404-06429-000	CLAMP (L:45)	1	



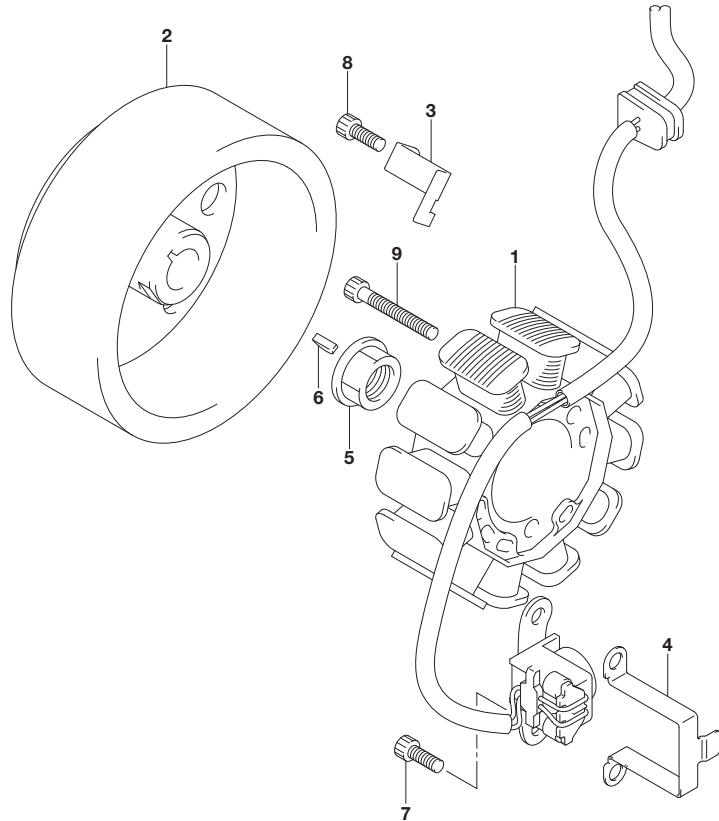
**FIG.301A**



**FIG.301A (1-C-13) STARTING MOTOR**

REF NO.	PART NO.	DESCRIPTION	Q'TY	REMARKS
1	31100-12K10-000	MOTOR ASSY,STARTING	1	
2	31130-20G00-000	HOLDER SET,BRUSH	1	
3	31131-25G10-000	BRUSH SET	1	
4	31135-19D00-000	SPRING	2	
5	31170-19B10-000	WASHER SET	1	
6	31151-20G00-000	HOUSING SET	1	
7	31156-98E00-000	O-RING (D:3.1,ID:24.4)	1	
8	01547-0625A-000	BOLT	2	
9	08361-3506A-000	NUT	1	

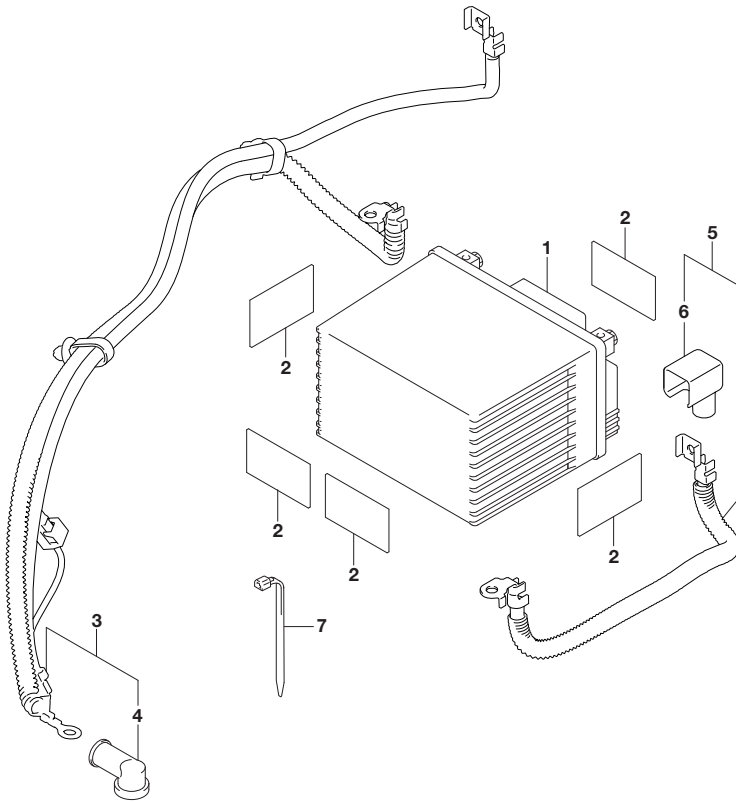
**FIG.303A**



**FIG.303A (1-C-14) MAGNETO**

REF NO.	PART NO.	DESCRIPTION	Q'TY	REMARKS
1	32101-12K11-000	STATOR ASSY,MAGNETO	1	
2	32102-12K10-000	ROTOR ASSY,MAGNETO	1	
3	32371-12K00-000	CLAMP,MAGNETO LEAD	1	
4	32371-16H00-000	CLAMP,MAGNETO LEAD	1	
5	09159-14037-000	NUT	1	
6	09420-03008-000	KEY	1	
7	07130-0512A-000	BOLT	2	
8	07130-0512A-000	BOLT	1	
9	07130-0535A-000	BOLT	3	

**FIG.310A**



**FIG.310A (1-C-15) BATTERY**

REF NO.	PART NO.	DESCRIPTION	Q'TY	REMARKS
1	33620-23K20-000	BATTERY ASSY	1	
2	33652-38000-000	PROTECTOR,BATTERY (40X30X3.0)	5	
3	33810-23K00-000	WIRE, STARTER MOTOR	1	
4	31861-48B10-000	CAP,STARTER MOTOR LEAD	1	
5	33820-23K00-000	WIRE, BATTERY PLUS	1	
6	33624-23K00-000	CAP	1	
7	09407-14407-000	CLAMP (L:145)	1	

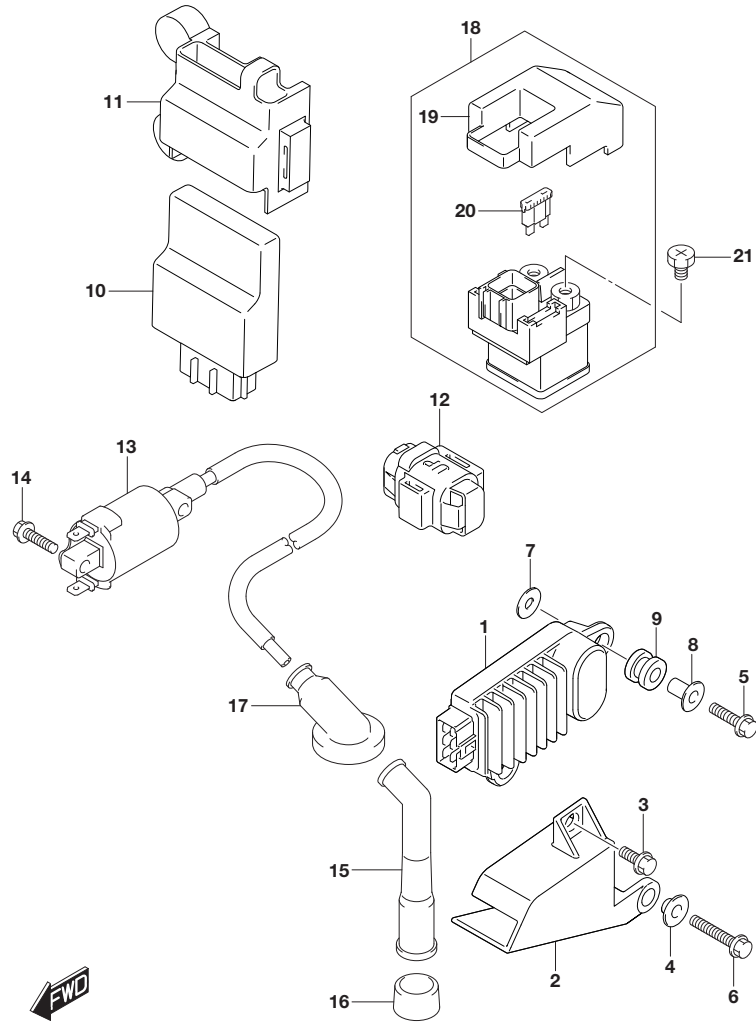




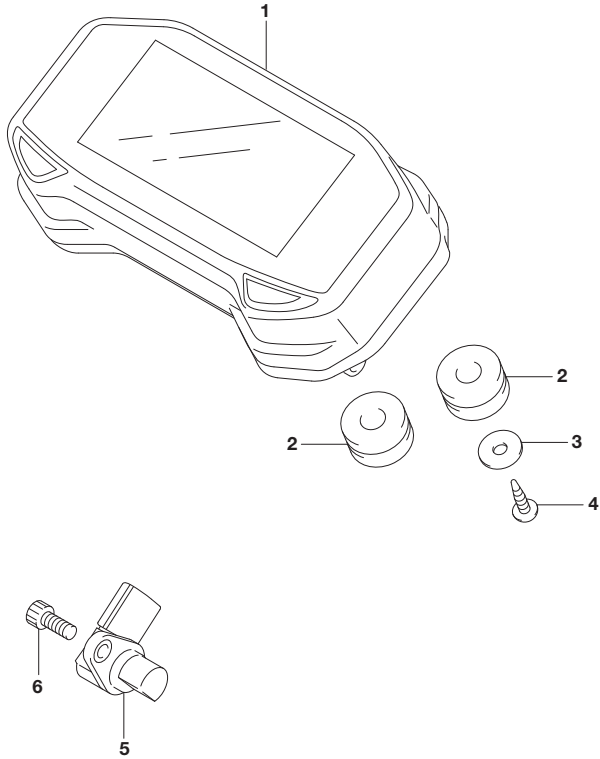
**FIG.312A**

**FIG.312A (1-D-2) ELECTRICAL**

REF NO.	PART NO.	DESCRIPTION	Q'TY	REMARKS
1	32800-23K00-000	RECTIFIER ASSY	1	
2	32832-23K00-000	PLATE,RECTIFIER	1	
3	09111-06054-000	BOLT (6X14.6)	1	
4	09180-06325-000	SPACER (6.2X8.4X6.9)	1	
5	01550-0625A-000	BOLT	1	
6	01550-0635A-000	BOLT	1	
7	09160-06028-000	WASHER (6.5X18X1.0)	2	
8	09180-06375-000	SPACER,RECTIFIER	2	
9	09320-08507-000	CUSHION,RECTIFIER	2	
10	32920-23KJ1-000	CONTROL UNIT,FI	1	
11	32942-23K00-000	PROTECTOR,FI CONTROL UNIT	1	
12	33960-27G00-000	SENSOR ASSY,FUEL CUT	1	
13	33410-40J10-000	COIL ASSY,IGNITION	1	
14	01547-0620B-000	BOLT	2	
15	33510-25G10-000	CAP,SPARK PLUG	1	
16	33541-25G00-000	SEAL,SPARK PLUG	1	
17	33542-25G10-000	SEAL,HIGH TENSION CORD	1	
18	31800-33G60-000	RELAY ASSY,STARTING MOTOR	1	
19	31861-47E00-000	COVER	1	
20	09481-20102-000	FUSE (20A)	2	
21	09128-06013-000	SCREW (6X8)	2	



**FIG.330A**

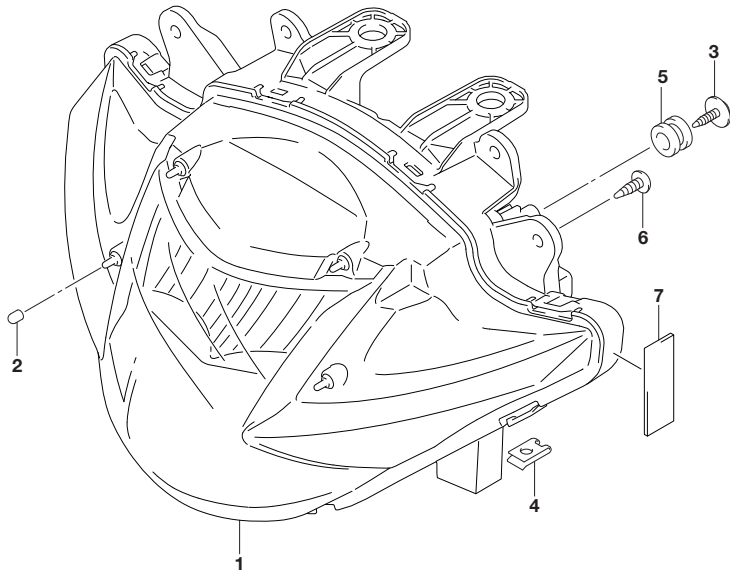


**FIG.330A (1-D-3) SPEEDOMETER**

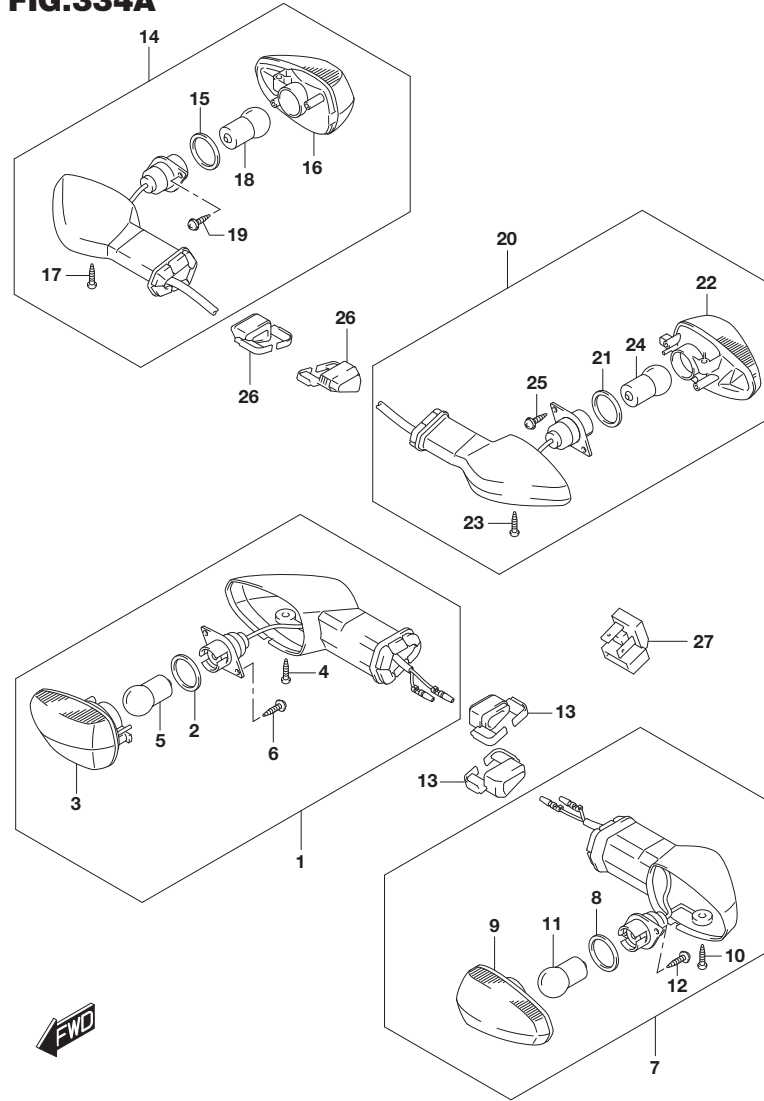
REF NO.	PART NO.	DESCRIPTION	Q'TY	REMARKS
1	34100-12KA0-000	SPEEDOMETER ASSY	1	
2	34189-30H30-000	CUSHION,SPEEDOMETER	3	
3	09160-04026-000	WASHER (4.5X16X1.2)	1	
4	03541-0416A-000	SCREW	1	
5	34990-12K00-000	SENSOR,SPEED	1	
6	07130-0512A-000	BOLT	1	

**FIG.333A****FIG.333A (1-D-4) HEADLAMP**

REF NO.	PART NO.	DESCRIPTION	Q'TY	REMARKS
1	35100-23K11-000	HEADLAMP ASSY	1	
2	44294-43H11-000	CUSHION,FUEL TANK COVER	4	
3	09136-05062-000	SCREW (5X15)	3	
4	09148-05080-000	NUT (M5)	2	
5	09320-09016-000	CUSHION (9X18X9.5)	3	
6	03541-0516A-000	SCREW	2	
7	94435-23K00-000	CUSHION, HEADLAMP	2	



**FIG.334A**



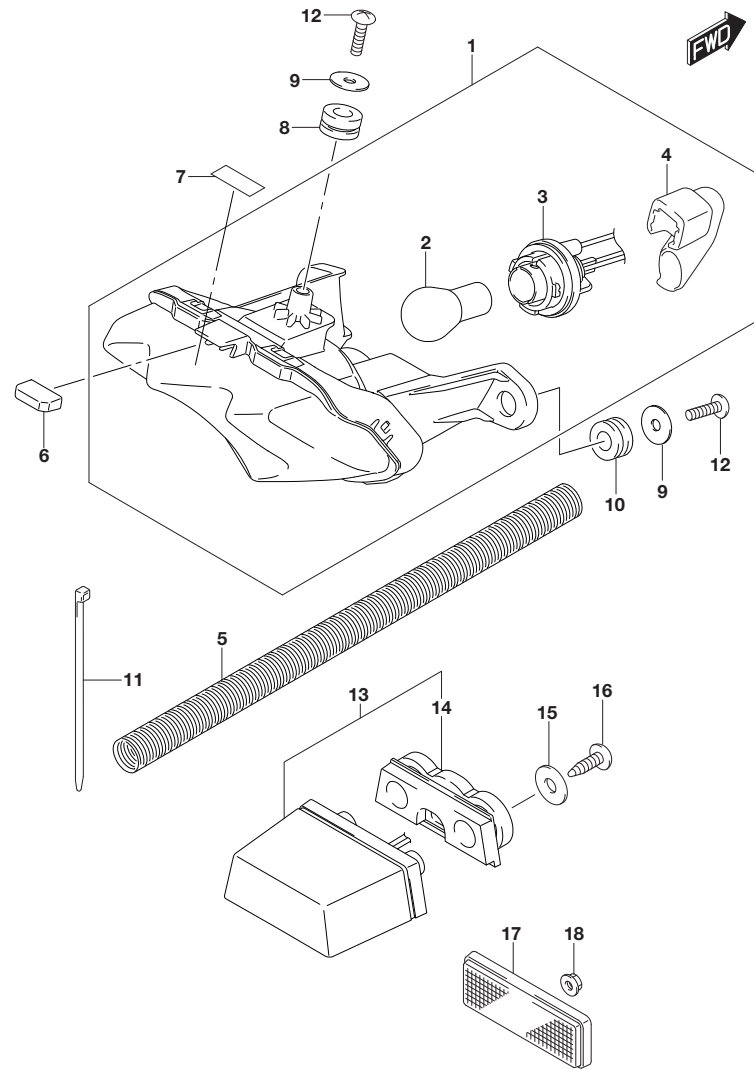
GSX-R150M4\_P08\_334A  
 TURNSIGNAL LAMP

**FIG.334A (1-D-5) TURNSIGNAL LAMP**

REF NO.	PART NO.	DESCRIPTION	Q'TY	REMARKS
1	35601-34J80-000	LAMP ASSY,FRONT TURNSIGNAL RH	1	
2	35613-34J00-000	GASKET	1	
3	35614-34J01-000	LAMP UNIT	1	
4	35623-34J30-000	SCREW	1	
5	35222-34J80-000	BULB (12V10W,AMBER)	1	AMBER
6	35623-34J40-000	SCREW	2	
7	35602-34J80-000	LAMP ASSY,FRONT TURNSIGNAL LH	1	
8	35613-34J00-000	GASKET	1	
9	35634-34J01-000	LAMP UNIT	1	
10	35623-34J30-000	SCREW	1	
11	35222-34J80-000	BULB (12V10W,AMBER)	1	AMBER
12	35623-34J40-000	SCREW	2	
13	35629-34J10-000	PLATE,REAR TURNSIGNAL	2	
14	35603-34J80-000	LAMP ASSY,REAR TURNSIGNAL RH	1	
15	35613-34J00-000	GASKET	1	
16	35634-34J01-000	LAMP UNIT	1	
17	35623-34J30-000	SCREW	1	
18	35222-34J80-000	BULB (12V10W,AMBER)	1	AMBER
19	35623-34J40-000	SCREW	2	
20	35604-34J80-000	LAMP ASSY,REAR TURNSIGNAL LH	1	
21	35613-34J00-000	GASKET	1	
22	35614-34J01-000	LAMP UNIT	1	
23	35623-34J30-000	SCREW	1	
24	35222-34J80-000	BULB (12V10W,AMBER)	1	AMBER
25	35623-34J40-000	SCREW	2	
26	35629-34J10-000	PLATE,REAR TURNSIGNAL	2	
27	38610-23K00-000	RELAY ASSY,TURNSIGNAL	1	

GSX-R150M4\_P08

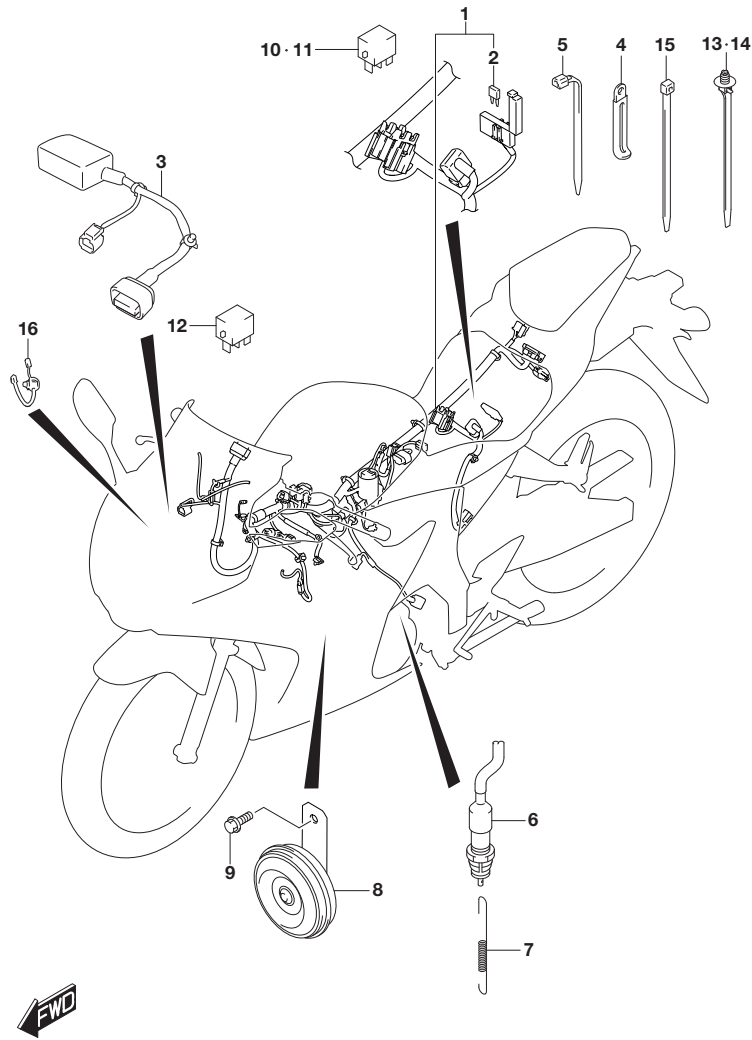
**FIG.339A**



**FIG.339A (1-D-6) REAR COMBINATION LAMP**

REF NO.	PART NO.	DESCRIPTION	Q'TY	REMARKS
1	35710-23K00-000	LAMP ASSY, REAR COMBINATION	1	
2	09471-12083-000	BULB (12V21/5W)	1	
3	35718-23K00-000	CORD ASSY	1	
4	35650-23K00-000	TUBE BREATH	1	
5	35693-23K00-000	PROTECTOR TUBE	1	
6	35781-23K00-000	CUSHION, REAR COMB LAMP	1	
7	35781-23K10-000	CUSHION, REAR COMB LAMP	1	
8	35781-45H00-000	CUSHION, REAR COMB BRACKET	1	
9	09160-05050-000	WASHER (5.5X18X1)	3	
10	09320-09016-000	CUSHION (9X18X9.5)	2	
11	36990-25G00-000	CLAMP (L:95)	1	
12	03541-0516A-000	SCREW	3	
13	35910-23K00-000	LAMP ASSY, LICENSE	1	
14	35913-23K00-000	RUBBER	1	
15	09160-05050-000	WASHER (5.5X18X1)	2	
16	03541-0512A-000	SCREW	2	
17	35970-28G00-000	REFLECTOR ASSY, RR	1	
18	08316-1005A-000	NUT	1	

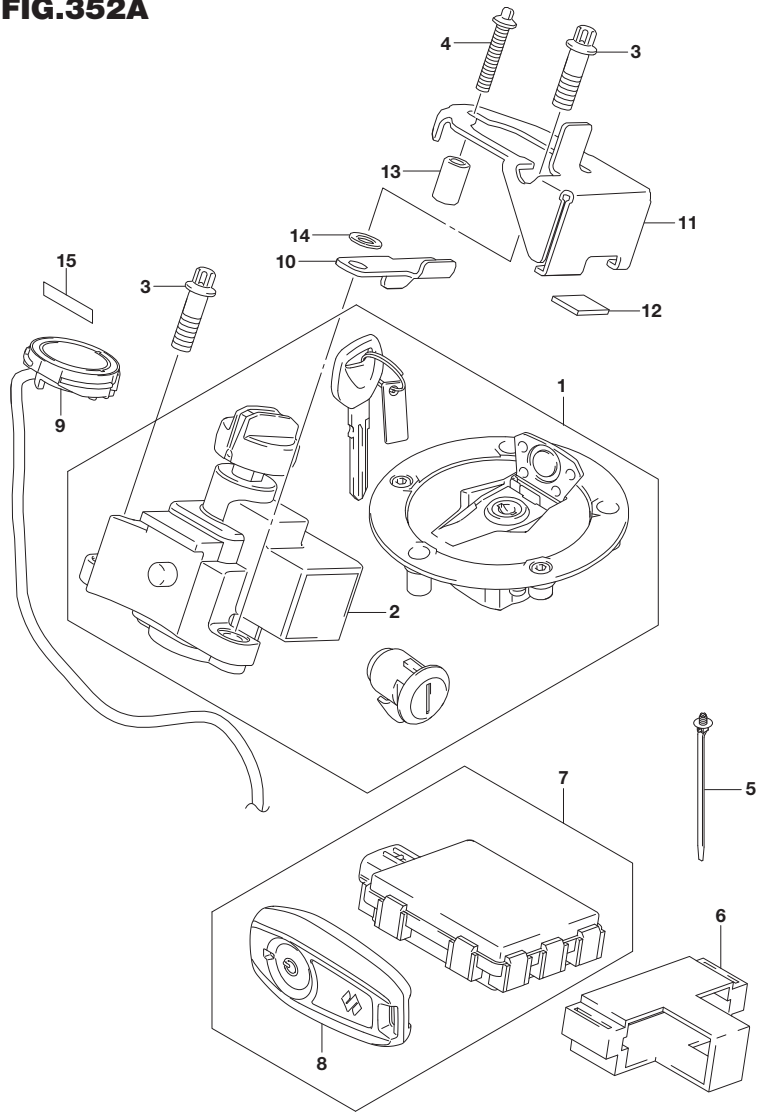
**FIG.350A**



**FIG.350A (1-D-7) WIRING HARNESS**

REF NO.	PART NO.	DESCRIPTION	Q'TY	REMARKS
1	36610-28L00-000	HARNESS,WIRING	1	
2	09481-10501-000	FUSE (10A)	2	
3	36620-23K01-000	HARNESS,WIRING NO.2	1	
4	09404-06429-000	CLAMP (L:45)	1	
5	36990-25G10-000	CLAMP (L:165)	1	
6	37740-12K10-000	SWITCH ASSY,STOP LAMP	1	
7	43232-34J00-000	SPRING,STOP LAMP SWITCH	1	
8	38500-23K11-000	HORN ASSY	1	
9	01550-0612A-000	BOLT	1	
10	38860-33J00-000	RELAY ASSY,MAIN	1	MAIN
11	38860-33J00-000	RELAY ASSY,MAIN	1	FAN MOTOR
12	38860-33J00-000	RELAY ASSY,MAIN	1	SOLENOID
13	09407-17403-000	CLAMP (L:170)	1	
14	09407-14407-000	CLAMP (L:145)	1	
15	09407-17403-000	CLAMP (L:170)	1	
16	36852-28L00-000	WIRE,FAN MOTOR LEAD	1	

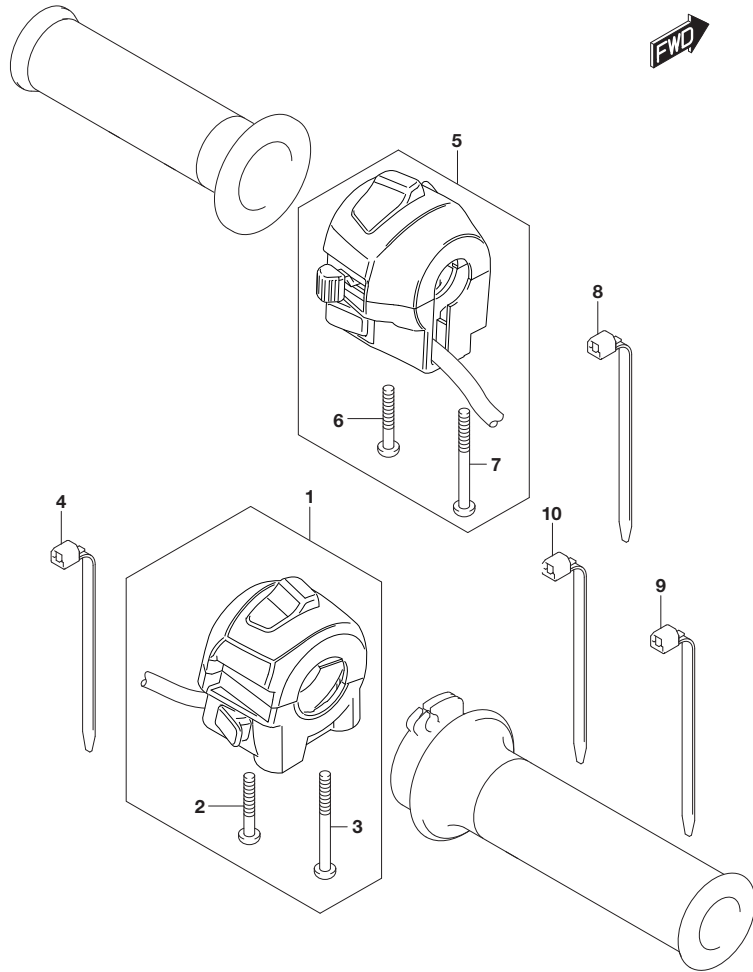
**FIG.352A**



**FIG.352A (1-D-8) LOCK SET**

REF NO.	PART NO.	DESCRIPTION	Q'TY	REMARKS
1	37101-23831-000	LOCK SET	1	
2	37100-23K31-000	LOCK ASSY,STEERING	1	
3	37152-23KA0-000	BOLT,STEERING LOCK	2	
4	37152-23K10-000	BOLT,STEERING LOCK COVER	1	
5	09407-17403-000	CLAMP (L:170)	1	
6	37173-23K01-000	HOLDER,KEYLESS CONTROLLER	1	
7	37180-23K53-000	CONTROLLER ASSY,KEYLESS START	1	
8	37172-23K24-000	TRANSMITTER	1	
9	37181-23K20-000	INDICATOR,KEYLESS	1	
10	37186-23K00-000	COVER,STEERING LOCK	1	
11	37186-23K10-000	COVER,STEERING LOCK	1	
12	37187-23K00-000	CUSHION,STEERING LOCK COVER	1	
13	37713-23K00-000	SPACER,STEERING LOCK COVER	1	
14	09160-08091-000	WASHER (8.5X14X1.0)	1	
15	37183-23K00-000	TAPE,KEYLESS INDICATOR	1	

**FIG.355A**



**FIG.355A (1-D-9) HANDLESWITCH**

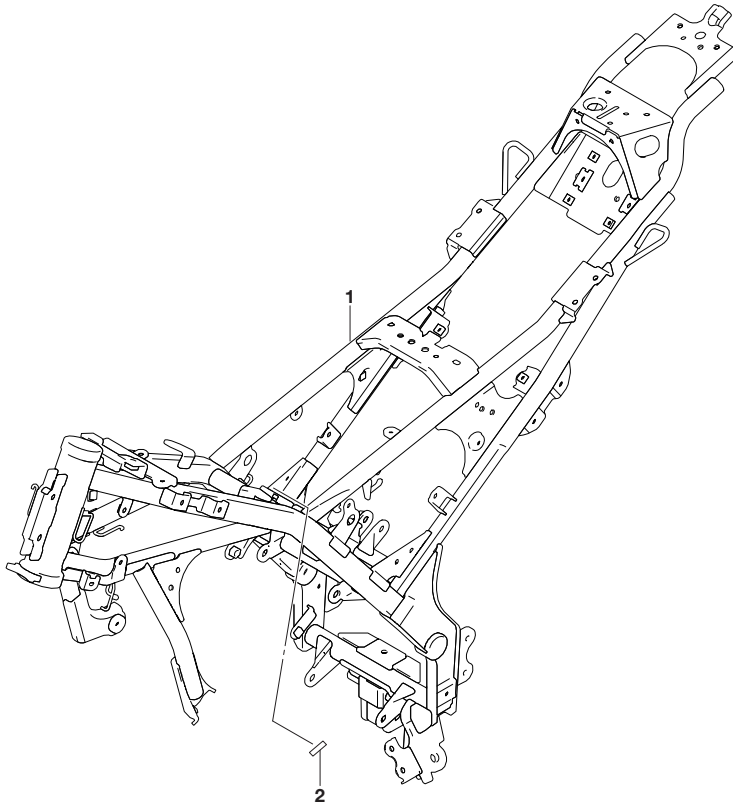
REF NO.	PART NO.	DESCRIPTION	Q'TY	REMARKS
1	37200-23K50-000	SWITCH ASSY,HANDLE RH	1	
2	02112-0530B-000	SCREW	1	
3	02112-0550B-000	SCREW	1	
4	09407-14407-000	CLAMP (L:145)	1	
5	37400-23K30-000	SWITCH ASSY,HANDLE LH	1	
6	02112-0525B-000	SCREW	1	
7	02112-0540B-000	SCREW	1	
8	09407-14407-000	CLAMP (L:145)	1	
9	36990-25G20-000	CLAMP (L:165)	1	
10	36990-25G00-000	CLAMP (L:95)	1	



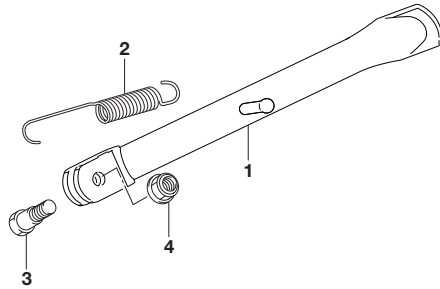
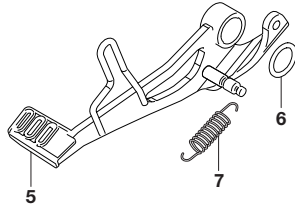
**FIG.401A**

**FIG.401A (1-D-10) FRAME**

REF NO.	PART NO.	DESCRIPTION	Q'TY	REMARKS
1	41100-23KF0-000	FRAME	1	
2	35781-23K10-000	CUSHION,REAR COMB LAMP	1	



**FIG.407A**

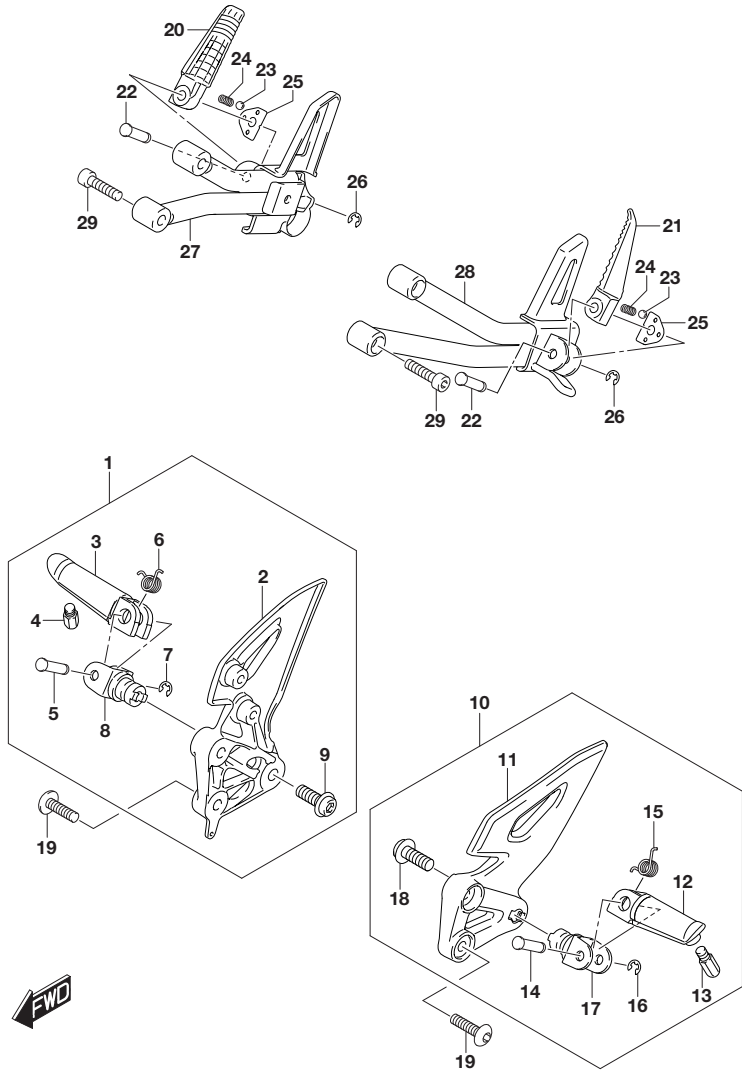


**FIG.407A (1-D-11) STAND**

REF NO.	PART NO.	DESCRIPTION	Q'TY	REMARKS
1	42310-23K00-000	STAND,PROP	1	
2	09443-14077-000	SPRING	1	
3	42341-40J00-000	BOLT,PROP STAND	1	
4	08319-3110A-000	NUT	1	
5	43110-23K01-000	PEDAL,BRAKE	1	
6	09160-18022-000	WASHER (18X24X1.0)	1	
7	09443-11033-000	SPRING	1	



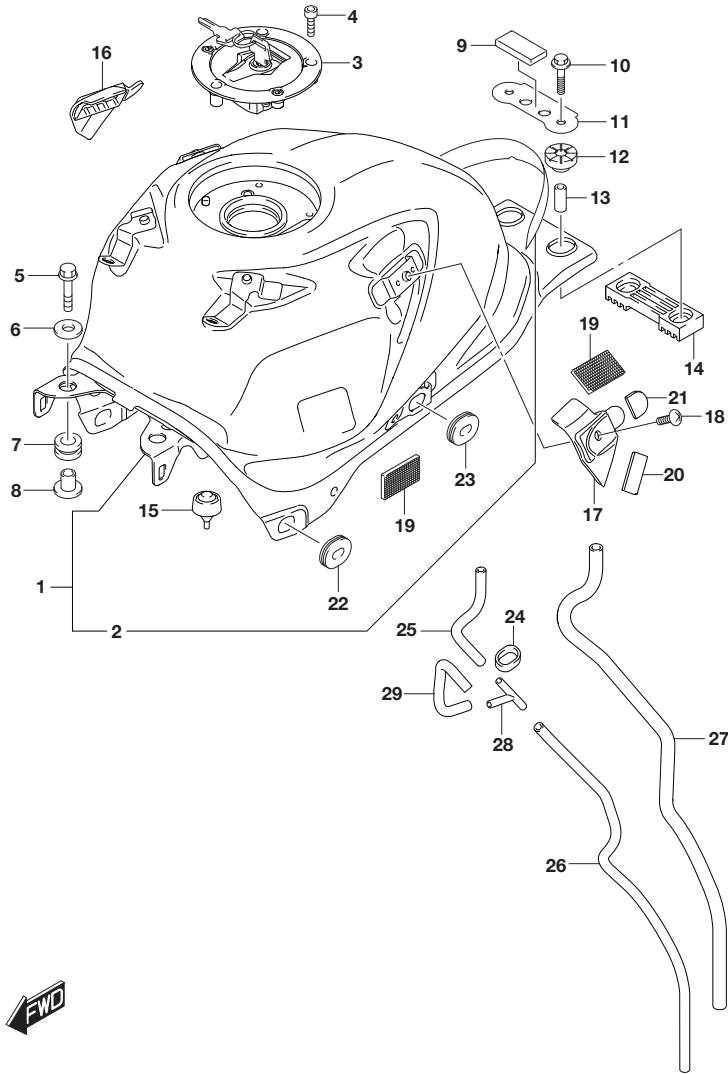
**FIG.415A**



**FIG.415A (1-D-12) FOOTREST**

REF NO.	PART NO.	DESCRIPTION	Q'TY	REMARKS
1	43501-23K10-000	FOOTREST ASSY,FRONT RH	1	
2	43511-23K00-000	BRACKET,FR FOOTREST RH	1	
3	43516-35F10-000	BAR,FRONT FOOTREST,R	1	
4	43576-48B02-000	BOLT,BANK SENSOR	1	
5	09208-08018-000	PIN	1	
6	09448-14037-000	SPRING	1	
7	08332-1106A-000	E-RING	1	
8	43530-23K00-000	HOLDER,FOOTREST	1	
9	09106-10064-000	BOLT (10X28)	1	
10	43502-23K00-000	FOOTREST ASSY,FRONT LH	1	
11	43521-23K00-000	BRACKET,FR FOOTREST LH	1	
12	43526-35F10-000	BAR,FRONT FOOTREST,L	1	
13	43576-48B02-000	BOLT,BANK SENSOR	1	
14	09208-08018-000	PIN	1	
15	09448-14037-000	SPRING	1	
16	08332-1106A-000	E-RING	1	
17	43530-23K00-000	HOLDER,FOOTREST	1	
18	09106-10064-000	BOLT (10X28)	1	
19	09106-08196-000	BOLT (8X23)	4	
20	43611-23K01-000	BAR,PILLION FOOTREST,R	1	
21	43621-23K01-000	BAR,PILLION FOOTREST,L	1	
22	09208-08020-000	PIN	2	
23	06112-07004-000	BALL	2	
24	09440-05005-000	SPRING	2	
25	43816-01H02-000	PLATE,PILLION FOOTREST	2	
26	08332-1106A-000	E-RING	2	
27	43810-23K30-000	BRACKET,PILLION FTRST RH	1	
28	43820-23K30-000	BRACKET,PILLION FTRST LH	1	
29	07130-0830A-000	BOLT	4	

**FIG.420A**



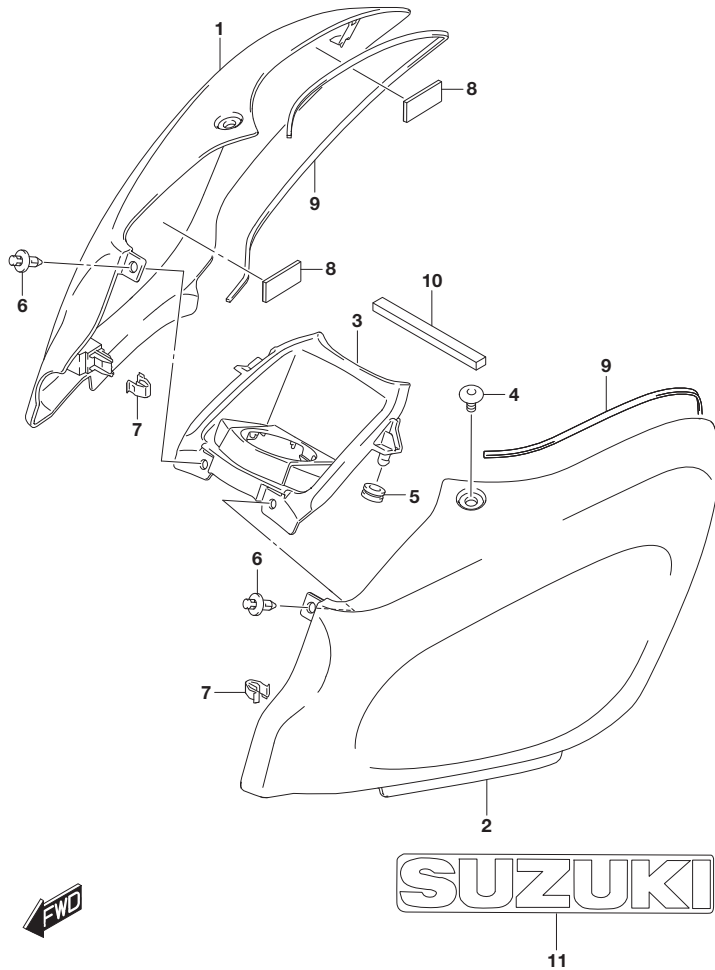
GSX-R150M4\_P08\_420A  
FUEL TANK

**FIG.420A (1-D-13) FUEL TANK**

REF NO.	PART NO.	DESCRIPTION	Q'TY	REMARKS
1-1	44100-23KK0-YSF	TANK ASSY,FUEL (BLUE)	1	BODY COLOR:BQJ
1-2	44100-23KK0-YVU	TANK ASSY,FUEL (BLACK)	1	BODY COLOR:AYX
1-3	44100-23KK0-YZE	TANK ASSY,FUEL (RED)	1	BODY COLOR:GTA
2	44283-23K10-000	PROTECTOR,FUEL TANK	1	
3	44200-23860-000	CAP SET, FUEL TANK	1	
4	44244-23K00-000	BOLT,FUEL TANK FILLER CAP (5X20)	3	
5	01550-0625A-000	BOLT	2	
6	09160-06012-000	WASHER (6.5X22X1.6)	2	
7	44511-16G01-000	CUSHION,FUEL TANK FRONT	2	
8	44512-16G00-000	SPACER,FUEL TANK,FR	2	
9	44542-48H01-000	CUSHION,FUEL TANK RR BRKT	1	
10	01550-0635A-000	BOLT	2	
11	44146-48H00-000	WASHER,FUEL TANK REAR BRKT	1	
12	44541-23K00-000	CUSHION,FUEL TANK RR UPR	2	
13	44544-05J00-000	SPACER,REAR	2	
14	44542-23K10-000	CUSHION,FUEL TANK RR LWR	1	
15	44542-23K00-000	CUSHION,FUEL TANK SIDE	2	
16	44179-23K00-000	BRACKET, FUEL TANK COVER RH	1	
17	44189-23K00-000	BRACKET, FUEL TANK COVER LH	1	
18	02142-0610A-000	SCREW	2	
19	44572-23KA0-000	FASTENER,FUEL TANK (13X33)	4	
20	44183-23K00-000	CUSHION,FUEL TANK SIDE COVER	2	
21	44294-23K00-000	CUSHION,FUEL TANK COVER RR	2	
22	94478-14J00-000	CUSHION	2	
23	94478-14J00-000	CUSHION	2	
24	09352-12163-010	HOSE, BRTHR CLAMP	1	
25	44424-23K30-000	HOSE,FUEL TANK BRTHR NO.1	1	
26	44424-23K40-000	HOSE,FUEL TANK BRTHR NO.2	1	
27	44423-23K10-000	HOSE,FUEL TANK WATER DRAIN	1	
28	09367-06007-000	3 WAY	1	
29	44424-23K50-000	HOSE,FUEL TANK BRTHR NO.3	1	

GSX-R150M4\_P08

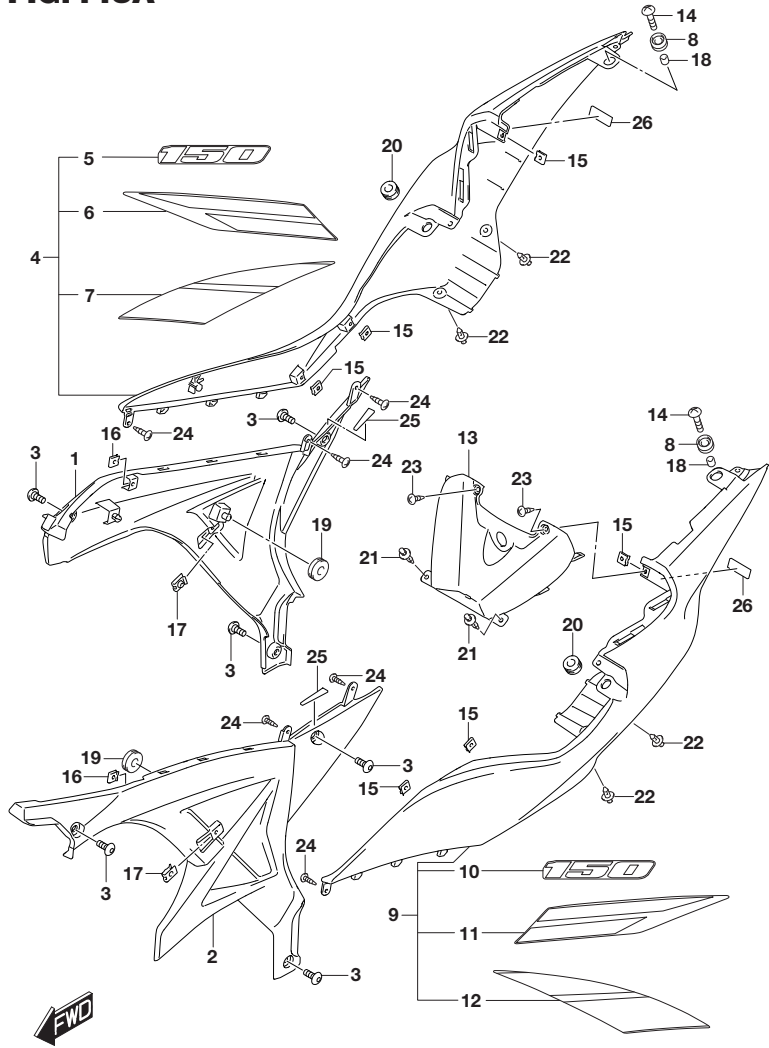
**FIG.423A**



**FIG.423A (1-D-14) FUEL TANK COVER**

REF NO.	PART NO.	DESCRIPTION	Q'TY	REMARKS
1-1	44292-23K00-YSF	COVER, FUEL TANK RH (BLUE)	1	BODY COLOR:BQJ
1-2	44292-23K00-YVU	COVER, FUEL TANK RH (BLACK)	1	BODY COLOR:AYX
1-3	44292-23K00-YZE	COVER, FUEL TANK RH (RED)	1	BODY COLOR:GTA
2-1	44293-23K00-YSF	COVER, FUEL TANK LH (BLUE)	1	BODY COLOR:BQJ
2-2	44293-23K00-YVU	COVER, FUEL TANK LH (BLACK)	1	BODY COLOR:AYX
2-3	44293-23K00-YZE	COVER, FUEL TANK LH (RED)	1	BODY COLOR:GTA
3	44291-23K10-000	COVER,FUEL TANK CENTER	1	
4	44295-23K00-000	SCREW,FUEL TANK COVER	2	
5	09320-06027-000	CUSHION (6.5X14X6)	2	
6	09409-06341-000	CLIP (5.9X20.5)	2	
7	09409-08326-000	CLIP (10.5X14.3)	2	
8	44572-23KA0-000	FASTENER,FUEL TANK (13X33)	4	
9	44277-23K00-000	CUSHION,FUEL TANK SIDE COVER	2	
10	47321-23K00-000	CUSHION,FUEL TANK COVER CTR	1	
11-1	68182-12K20-BHB	TAPE,"SUZUKI" (WHITE/BLUE)	2	BODY COLOR:BQJ
11-2	68182-12K20-B53	TAPE,"SUZUKI" (SILVER/BLACK)	2	BODY COLOR:AYX
11-3	68182-12K20-GTA	TAPE,"SUZUKI" (RED/BLACK)	2	BODY COLOR:GTA

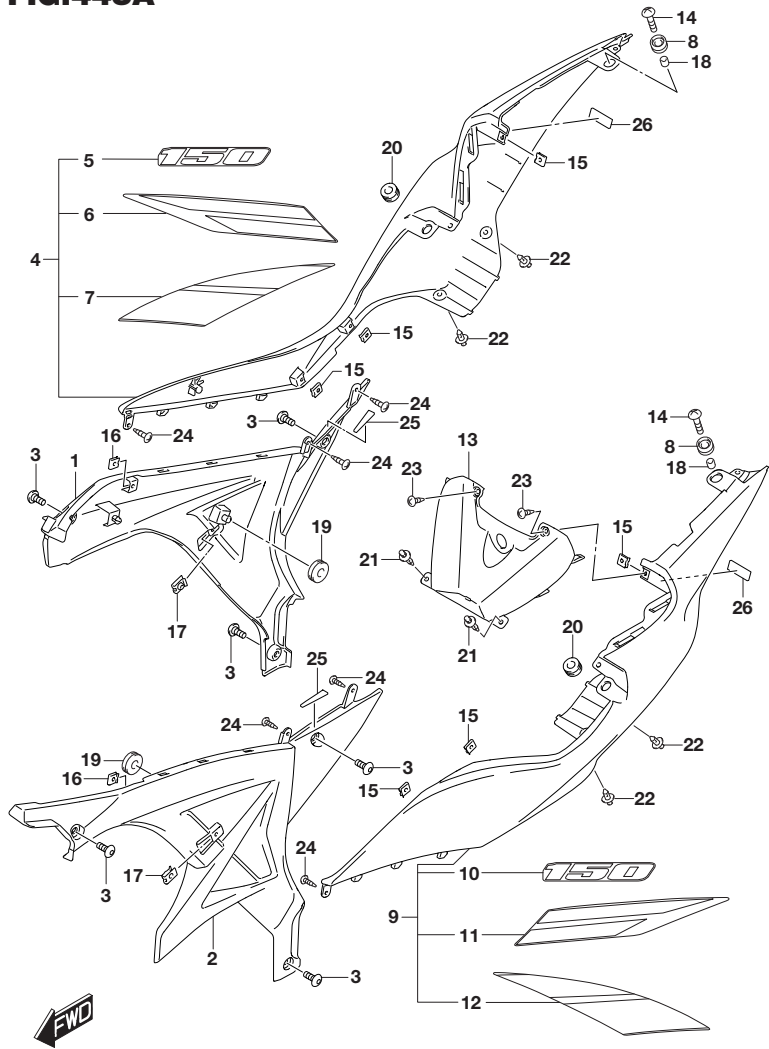
**FIG.445A**



**FIG.445A (1-D-15) FRAME COVER (GSX-R150RFXM4)**

REF NO.	PART NO.	DESCRIPTION	Q'TY	REMARKS
1	47111-23K00-291	COVER,FRAME RH (BLACK)	1	
2	47211-23K00-291	COVER,FRAME LH (BLACK)	1	
3	44513-23K00-000	SCREW,FRAME COVER	6	
4	47310-23KP0-YUH	COVER,FRAME UPPER,R (WHITE)	1	
5	68131-23K60-CNA	EMBLEM,150 (WHITE/ORANGE)	1	
6	68135-23KN0-CQV	TAPE,FRM COV UPR NO.1,R (BLUE/WHITE)	1	
7	68136-23K50-CQV	TAPE,FRM COV UPR NO.2,R (BLUE,WHITE)	1	
8	47312-37H10-000	CUSHION (10X24X13)	2	
9	47410-23KP0-YUH	COVER,FRAME UPPER,L (WHITE)	1	
10	68131-23K60-CNA	EMBLEM,150 (WHITE/ORANGE)	1	
11	68145-23KN0-CQV	TAPE,FRM COV UPR NO.1,L (BLUE/WHITE)	1	
12	68146-23K50-CQV	TAPE,FRM COV UPR NO.2,L (BLUE/WHITE)	1	
13	47511-23K00-YUH	COVER, FRAME UPPER CTR(WHITE)	1	

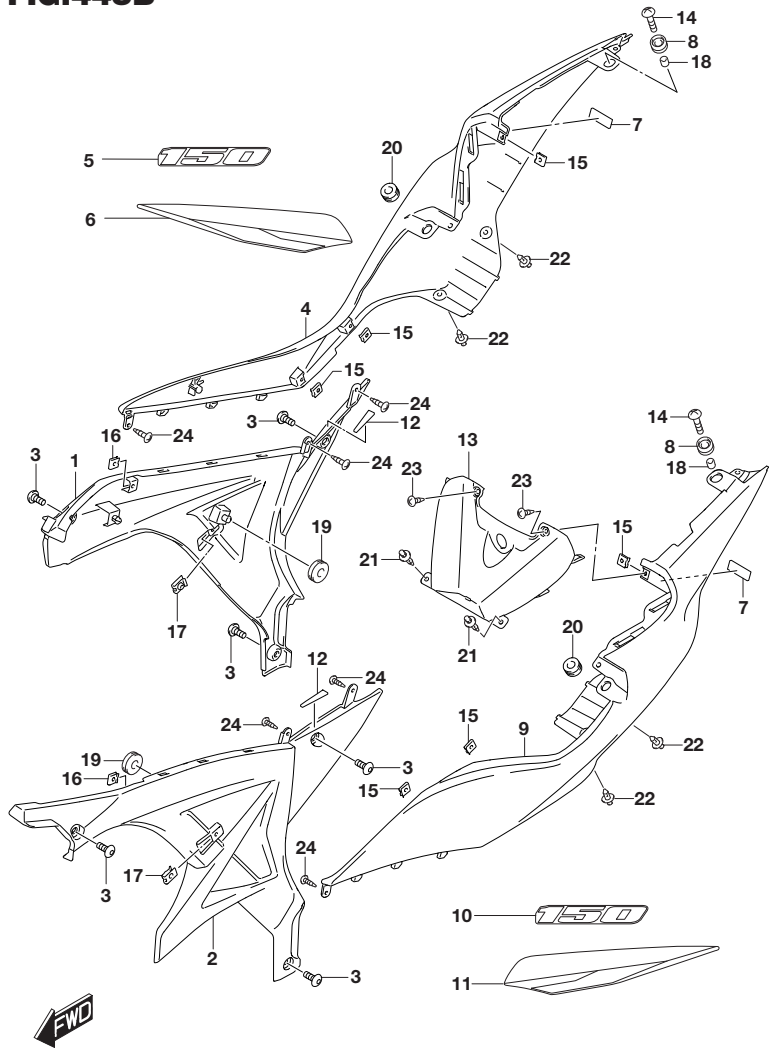
**FIG.445A**



**FIG.445A (1-E-2) FRAME COVER (GSX-R150RFXM4)**

REF NO.	PART NO.	DESCRIPTION	Q'TY	REMARKS
14	09136-06105-000	SCREW (6X20)	2	
15	09148-04019-000	NUT (M4)	6	
16	09148-04019-000	NUT (M4)	2	
17	09148-05058-000	NUT	2	
18	09180-06283-000	SPACER (6.5X10X7)	2	
19	48169-12JA0-000	CUSHION (8X26X7)	2	
20	09320-09016-000	CUSHION (9X18X9.5)	2	
21	09409-06341-000	CLIP (5.9X20.5)	2	
22	09409-06341-000	CLIP (5.9X20.5)	4	
23	03541-0412A-000	SCREW	2	
24	03541-0412A-000	SCREW	6	
25	47112-23K00-000	TAPE,FRAME COVER	2	
26	47117-10J00-000	CUSHION,FRAME COVER	2	

**FIG.445B**

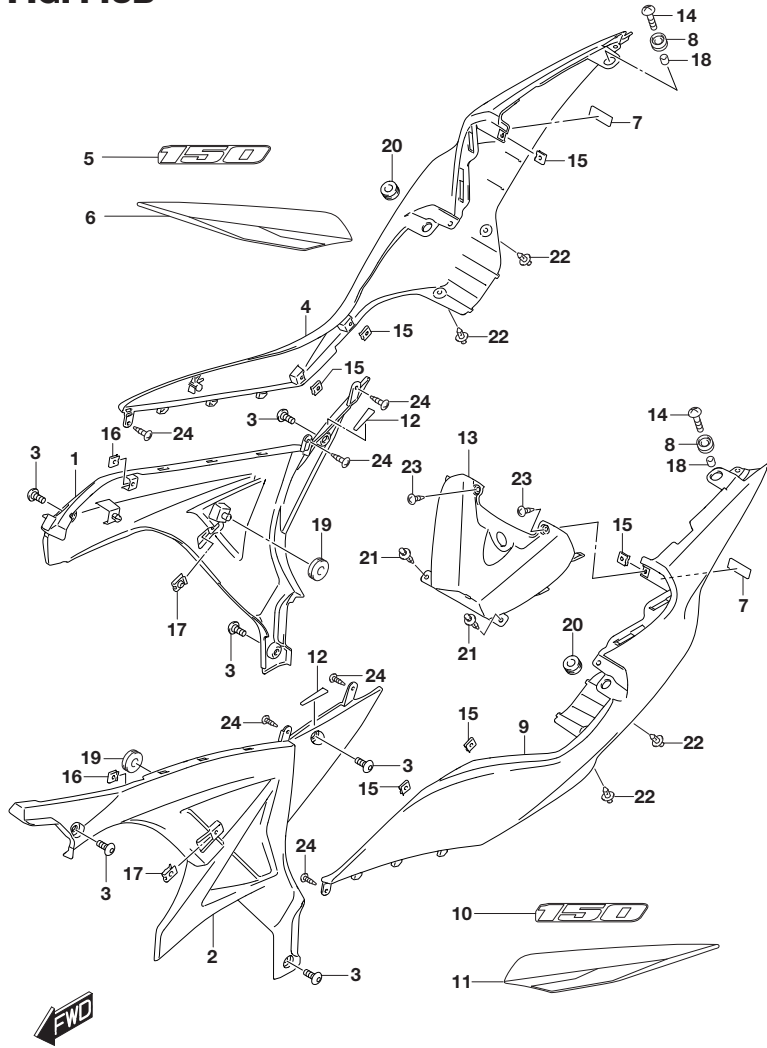


**FIG.445B (1-E-3) FRAME COVER (GSX-R150RFM4)**

REF NO.	PART NO.	DESCRIPTION	Q'TY	REMARKS
1	47111-23K00-291	COVER,FRAME RH (BLACK)	1	
2	47211-23K00-291	COVER,FRAME LH (BLACK)	1	
3	44513-23K00-000	SCREW,FRAME COVER	6	
4-1	47311-23K00-291	COVER,FRAME UPPER,R (BLACK)	1	BODY COLOR:AYX
4-2	47311-23K00-YVU	COVER,FRAME UPPER,R (BLACK)	1	BODY COLOR:GTA
5-1	68131-23K60-BJF	EMBLEM,150 (SILVER/BLACK)	1	BODY COLOR:AYX
5-2	68131-23K60-JTB	EMBLEM,150 (BLACK/SILVER)	1	BODY COLOR:GTA
6-1	68135-23KP0-CRF	TAPE,FRM COV UPR NO.1,R (BLACK/RED)	1	BODY COLOR:AYX
6-2	68135-23KP0-CRG	TAPE,FRM COV UPR NO.1,R (RED/BLACK)	1	BODY COLOR:GTA
7	47117-10J00-000	CUSHION,FRAME COVER	2	
8	47312-37H10-000	CUSHION (10X24X13)	2	
9-1	47411-23K00-291	COVER,FRAME UPPER,L (BLACK)	1	BODY COLOR:AYX
9-2	47411-23K00-YVU	COVER,FRAME UPPER,L (BLACK)	1	BODY COLOR:GTA
10-1	68131-23K60-BJF	EMBLEM,150 (SILVER,BLACK)	1	BODY COLOR:AYX
10-2	68131-23K60-JTB	EMBLEM,150 (BLACK,GRAY)	1	BODY COLOR:GTA
11-1	68145-23KP0-CRF	TAPE,FRAME COVER UPPER,L (BLACK/RED)	1	BODY COLOR:AYX
11-2	68145-23KP0-CRG	TAPE,FRAME COVER UPPER,L (RED/BLACK)	1	BODY COLOR:GTA



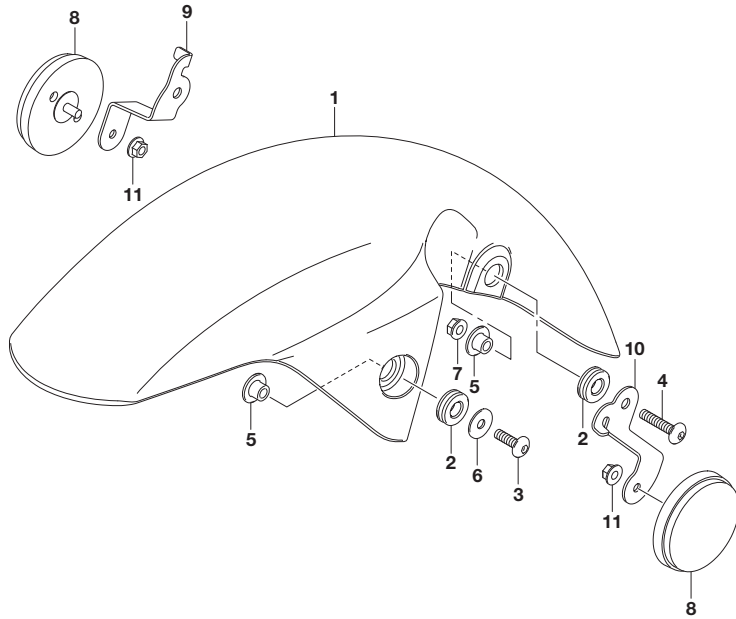
**FIG.445B**



**FIG.445B (1-E-4) FRAME COVER (GSX-R150RFM4)**

REF NO.	PART NO.	DESCRIPTION	QTY	REMARKS
12	47112-23K00-000	TAPE,FRAME COVER	2	
13-1	47511-23K00-291	COVER, FRAME UPPER CTR (BLACK)	1	BODY COLOR:AYX
13-2	47511-23K00-YVU	COVER, FRAME UPPER CTR (BLACK)	1	BODY COLOR:GTA
14	09136-06105-000	SCREW (6X20)	2	
15	09148-04019-000	NUT (M4)	6	
16	09148-04019-000	NUT (M4)	2	
17	09148-05058-000	NUT	2	
18	09180-06283-000	SPACER (6.5X10X7)	2	
19	48169-12JA0-000	CUSHION (8X26X7)	2	
20	09320-09016-000	CUSHION (9X18X9.5)	2	
21	09409-06341-000	CLIP (5.9X20.5)	2	
22	09409-06341-000	CLIP (5.9X20.5)	4	
23	03541-0412A-000	SCREW	2	
24	03541-0412A-000	SCREW	6	

**FIG.460A**

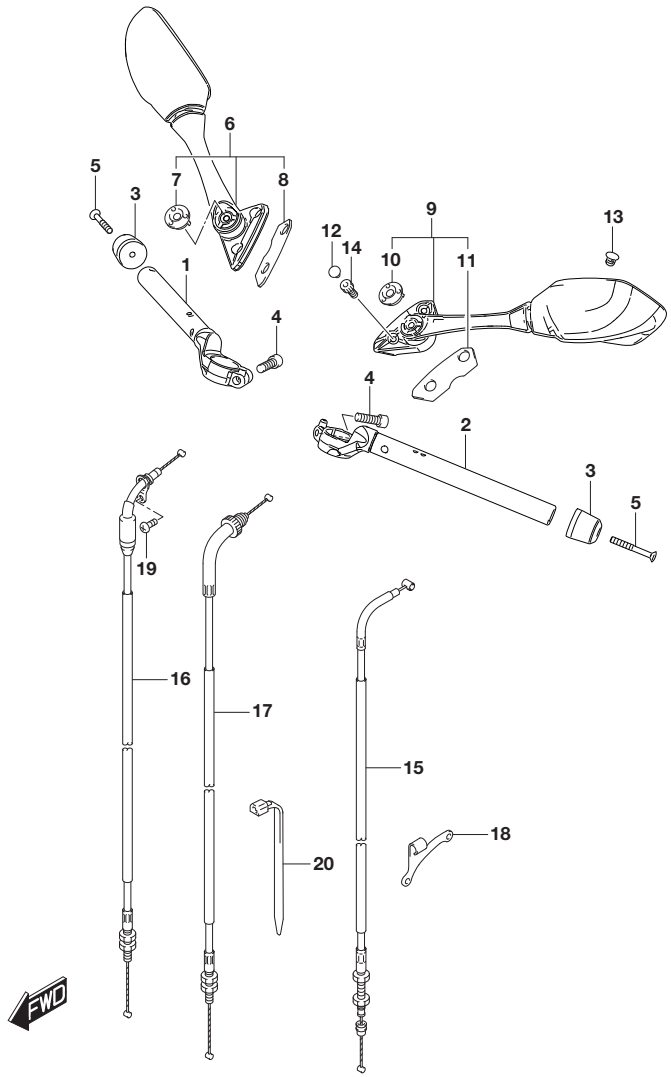


**FIG.460A (1-E-5) FRONT FENDER**

REF NO.	PART NO.	DESCRIPTION	Q'TY	REMARKS
1-1	53111-23K00-YVU	FENDER,FRONT (BLACK)	1	BODY COLOR:BQJ
1-2	53111-23K00-YVU	FENDER,FRONT (BLUE)	1	BODY COLOR:AYX
1-3	53111-23K00-YZE	FENDER,FRONT (RED)	1	BODY COLOR:GTA
2	47161-23J00-000	CUSHION (10X22X7)	4	
3	53121-23K00-000	SCREW,FR FENDER FR	2	
4	53122-23K00-000	SCREW,FR FENDER RR	2	
5	53275-34J00-000	SPACER,FR FENDER	4	
6	09160-06027-000	WASHER (6.5X20X1.2)	2	
7	08316-1006A-000	NUT (6X12)	2	
8	35950-22J10-000	REFLECTOR ASSY, FRONT SIDE	2	
9	35956-23K00-000	BRACKET, FRONT SIDE RR RH	1	
10	35957-23K00-000	BRACKET, FRONT SIDE RR LH	1	
11	08316-1005A-000	NUT	2	



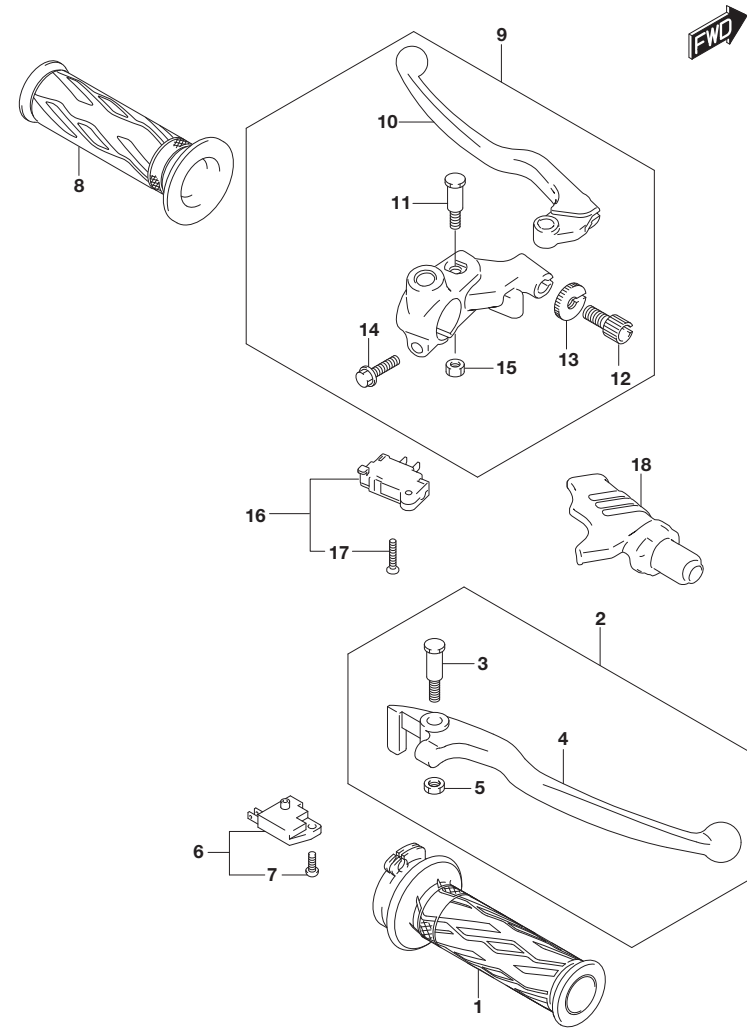
**FIG.462A**



**FIG.462A (1-E-6) HANDLEBAR**

REF NO.	PART NO.	DESCRIPTION	Q'TY	REMARKS
1	56110-23K20-000	BAR,HANDLE RH	1	
2	56150-23K20-000	BAR,HANDLE LH	1	
3	56278-32J10-000	BALANCER, HANDLEBAR	2	
4	09106-08185-000	BOLT (8X32)	2	
5	09127-06025-000	SCREW (6X50)	2	
6	56500-17K10-000	MIRROR ASSY, REAR VIEW RH	1	
7	56515-17K00-000	CAP,MIRROR	1	
8	56525-17K00-000	CUSHION,MIRROR	1	
9	56600-17K10-000	MIRROR ASSY, REAR VIEW LH	1	
10	56515-17K00-000	CAP,MIRROR	1	
11	56525-17K00-000	CUSHION,MIRROR	1	
12	09250-05009-000	CAP (OD:10)	4	
13	56524-23K10-000	CAP	2	
14	07130-0616A-000	BOLT	4	
15	58200-23K20-000	CABLE ASSY,CLUTCH	1	
16	58300-23K21-000	CABLE ASSY,THROTTLE NO.1	1	
17	58300-23K31-000	CABLE ASSY,THROTTLE NO.2	1	
18	58634-12K00-000	STOPPER,CLUTCH CABLE	1	
19	02112-0512A-000	SCREW	1	
20	36990-25G10-000	CLAMP (L:125)	1	

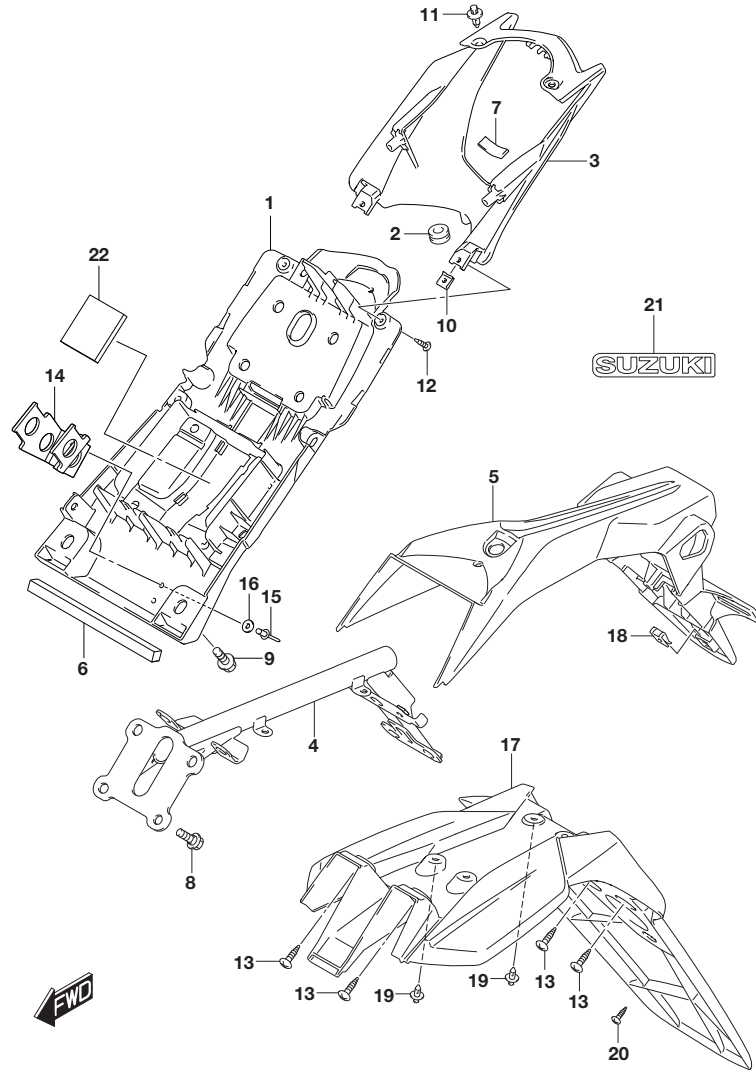
**FIG.467A**



**FIG.467A (1-E-7) HANDLELEVER**

REF NO.	PART NO.	DESCRIPTION	Q'TY	REMARKS
1	57110-23K01-000	GRIP,THROTTLE	1	
2	57300-30H21-000	LEVER ASSY,BRAKE	1	
3	57431-30H20-000	BOLT,BRAKE LEVER PIVOT	1	
4	57421-30H10-000	LEVER,BRAKE	1	
5	57433-30H10-000	NUT,BRAKE LEVER PIVOT	1	
6	57460-30H00-000	SWITCH ASSY,FR BRAKE	1	
7	57465-30H00-000	SCREW	1	
8	57211-40J01-000	GRIP,L	1	
9	57500-23K00-000	LEVER ASSY,CLUTCH	1	
10	57621-23K00-000	LEVER,CLUTCH	1	
11	57431-23F20-000	BOLT,LEVER SET	1	
12	57441-25G00-000	ADJUSTER,WIRE	1	
13	57442-25G00-000	NUT,LOCK	1	
14	01547-0625A-000	BOLT	1	
15	08319-2106A-000	NUT	1	
16	57560-41G20-000	SWITCH,CLUTCH	1	
17	57562-41G21-000	SCREW,CLUTCH SWITCH	1	
18	57661-23K00-000	COVER,CLUTCH LEVER	1	

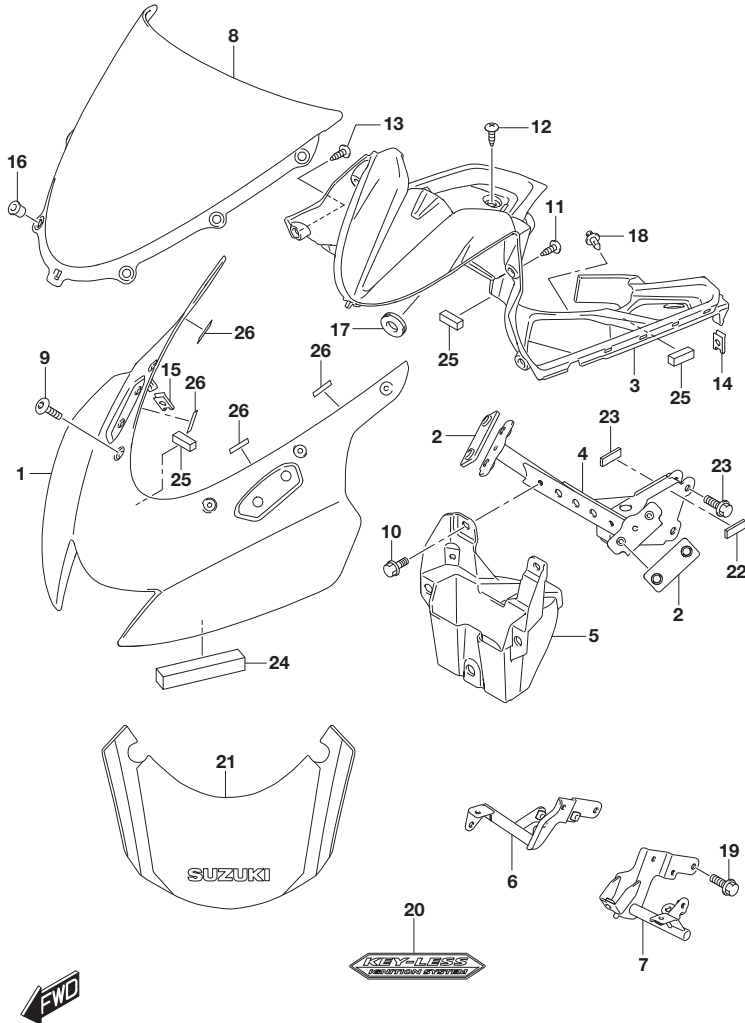
**FIG.474A**



**FIG.474A (1-E-8) REAR FENDER**

REF NO.	PART NO.	DESCRIPTION	Q'TY	REMARKS
1	63111-23K00-000	FENDER, REAR FRONT	1	
2	48278-16H10-000	CUSHION (8X26X7)	1	
3	63121-23K00-000	COVER, REAR FENDER FRONT	1	
4	63130-23K00-000	BRACE, REAR FENDER	1	
5	63141-23K00-000	FENDER, REAR REAR	1	
6	63151-23K00-000	CUSHION,REAR FENDER FRONT	1	
7	63152-23K00-000	CUSHION (10X30X3)	1	
8	09111-06072-000	BOLT (6X17.8)	4	
9	09111-06102-000	BOLT (6X14.8)	2	
10	09148-04019-000	NUT (M4)	2	
11	09409-06341-000	CLIP (5.9X20.5)	2	
12	03541-0412B-000	SCREW	2	
13	03541-0616A-000	SCREW	4	
14	63112-23K00-000	BRACKET,REAR FENDER FRONT	1	
15	09229-03019-000	RIVET	2	
16	63113-23K00-000	WASHER,RR FENDER FR BRKT	2	
17	63311-23K00-000	EXTENSION, REAR FENDER	1	
18	09148-05080-000	NUT (M5)	1	
19	09409-06341-000	CLIP (5.9X20.5)	4	
20	03541-0512A-000	SCREW	1	
21	68171-23K20-000	EMBLEM,SUZUKI	1	
22	63153-23K00-000	CUSHION (70X80X10)	1	

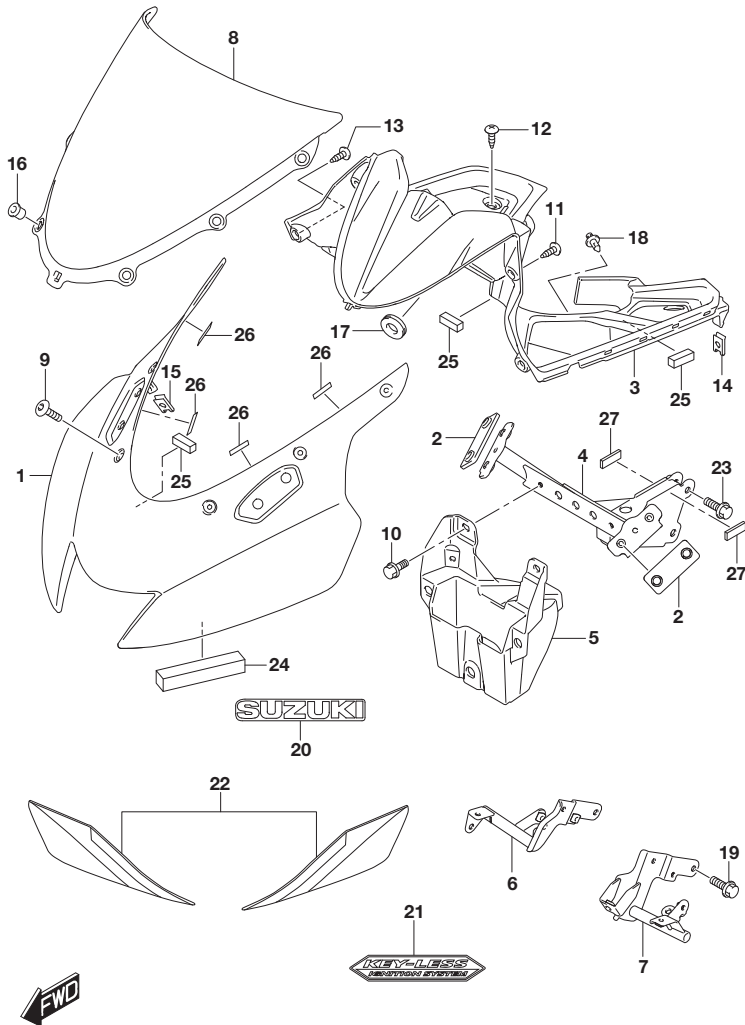
**FIG.481A**



**FIG.481A (1-E-9) COWLING BODY (GSX-R150RFXM4)**

REF NO.	PART NO.	DESCRIPTION	Q'TY	REMARKS
1	94411-23K00-YSF	COWLING, BODY (BLUE)	1	
2	94412-23K00-000	CUSHION, MIRROR BRACKET	2	
3	94421-23K00-000	PANEL, METER	1	
4	94510-23K00-000	BRACE, COWLING	1	
5	94511-23K00-000	BRACE, COWLING LOWER	1	
6	94540-23K00-000	BRACKET, SIDE COWL UPR RH	1	
7	94550-23K00-000	BRACKET, SIDE COWL UPR LH	1	
8	94611-23K00-000	WINDSCREEN	1	
9	94621-23K00-000	SCREW, WINDSCREEN	6	
10	09111-06107-000	BOLT (6X12)	3	
11	09139-05503-000	SCREW (5X13)	2	
12	09139-05503-000	SCREW (5X13)	2	
13	09139-05504-000	SCREW (5X18)	2	
14	09148-04019-000	NUT (M4)	2	
15	09148-05058-000	NUT	2	
16	94618-34J01-000	NUT,WINDSCREEN	6	
17	48169-12JA0-000	CUSHION (8X26X7)	1	
18	09409-06341-000	CLIP (5.9X20.5)	4	
19	01550-0612A-000	BOLT	4	
20	68184-23K00-000	EMBLEM,"KEYLESS"	1	
21	68285-23K70-CRE	TAPE, BODY COWLING	1	
22	47117-10J00-000	CUSHION,FRAME COVER	2	
23	01550-0830B-000	BOLT	2	
24	94413-23K00-000	CUSHION, BODY COWL	2	
25	94414-23K00-000	CUSHION (10X10X30)	5	
26	94415-23K00-000	TAPE, BODY COWLING	4	

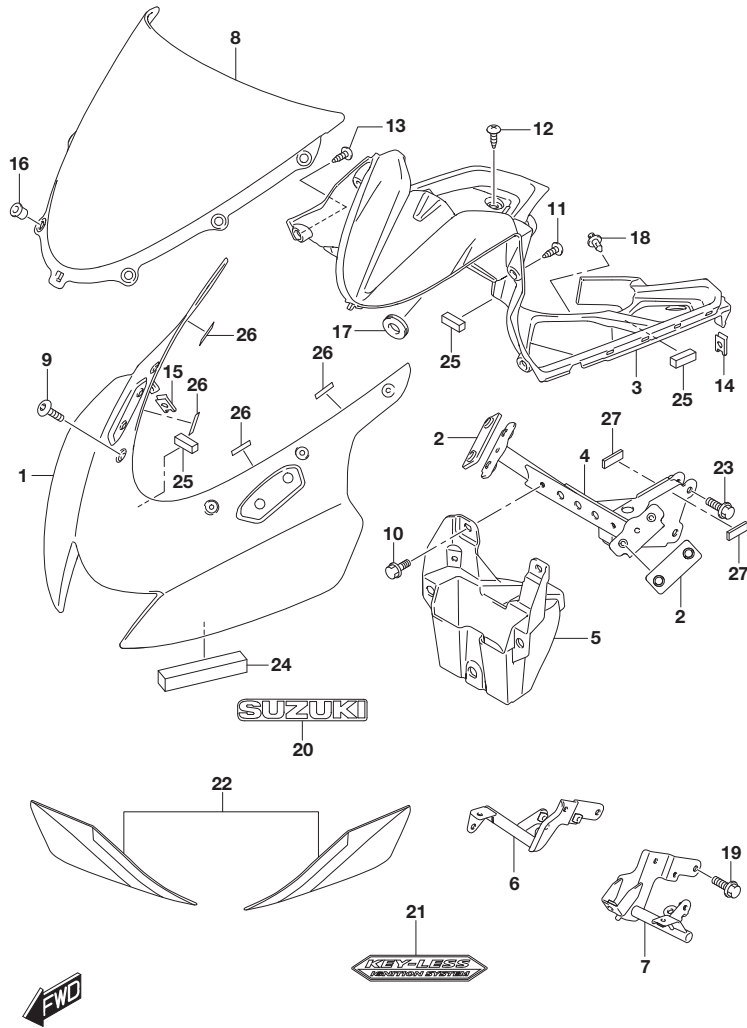
**FIG.481B**



**FIG.481B (1-E-10) COWLING BODY (GSX-R150RFM4)**

REF NO.	PART NO.	DESCRIPTION	Q'TY	REMARKS
1-1	94411-23K00-YVU	COWLING, BODY (BLACK)	1	BODY COLOR:AYX
1-2	94411-23K00-YZE	COWLING,BODY (RED)	1	BODY COLOR:GTA
2	94412-23K00-000	CUSHION, MIRROR BRACKET	2	
3	94421-23K00-000	PANEL, METER	1	
4	94510-23K00-000	BRACE, COWLING	1	
5	94511-23K00-000	BRACE, COWLING LOWER	1	
6	94540-23K00-000	BRACKET, SIDE COWL UPR RH	1	
7	94550-23K00-000	BRACKET, SIDE COWL UPR LH	1	
8	94611-23K00-000	WINDSCREEN	1	
9	94621-23K00-000	SCREW, WINDSCREEN	6	
10	09111-06107-000	BOLT (6X12)	3	
11	09139-05503-000	SCREW (5X13)	2	
12	09139-05503-000	SCREW (5X13)	2	
13	09139-05504-000	SCREW (5X18)	2	
14	09148-04019-000	NUT (M4)	2	
15	09148-05058-000	NUT	2	
16	94618-34J01-000	NUT,WINDSCREEN	6	
17	48169-12JA0-000	CUSHION (8X26X7)	1	
18	09409-06341-000	CLIP (5.9X20.5)	4	
19	01550-0612A-000	BOLT	4	
20-1	68151-23K40-B53	EMBLEM,SUZUKI (SILVER/BLACK)	1	BODY COLOR:AYX
20-2	68151-23K40-GTA	EMBLEM,SUZUKI" (RED,BLACK)	1	BODY COLOR:GTA
21	68184-23K00-000	EMBLEM,"KEYLESS"	1	
22-1	68280-23KB0-CRF	TAPE SET,BODY COWL (BLACK/RED)	1	BODY COLOR:AYX
22-2	68280-23KB0-CRG	TAPE SET,BODY COWL (RED/BLACK)	1	BODY COLOR:GTA
23	01550-0830B-000	BOLT	2	
24	94413-23K00-000	CUSHION, BODY COWL	2	
25	94414-23K00-000	CUSHION (10X10X30)	5	

**FIG.481B**

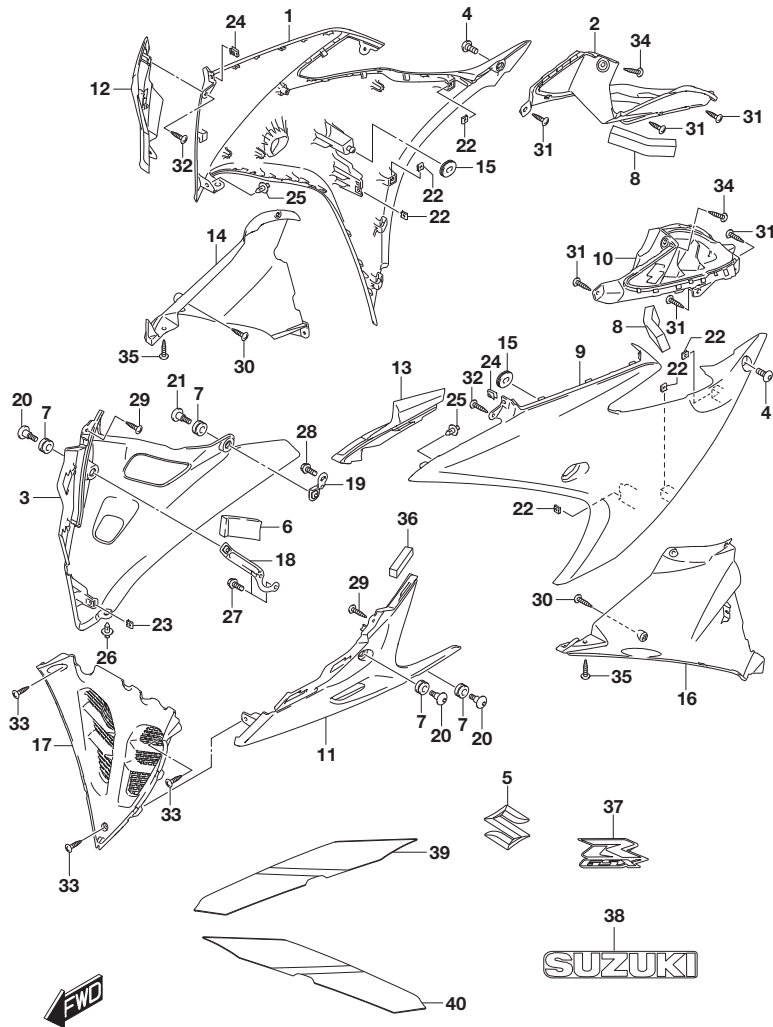


**FIG.481B (1-E-11) COWLING BODY**

REF NO.	PART NO.	DESCRIPTION	Q'TY	REMARKS
26	94415-23K00-000	TAPE, BODY COWLING	4	
27	47117-10J00-000	CUSHION,FRAME COVER	2	



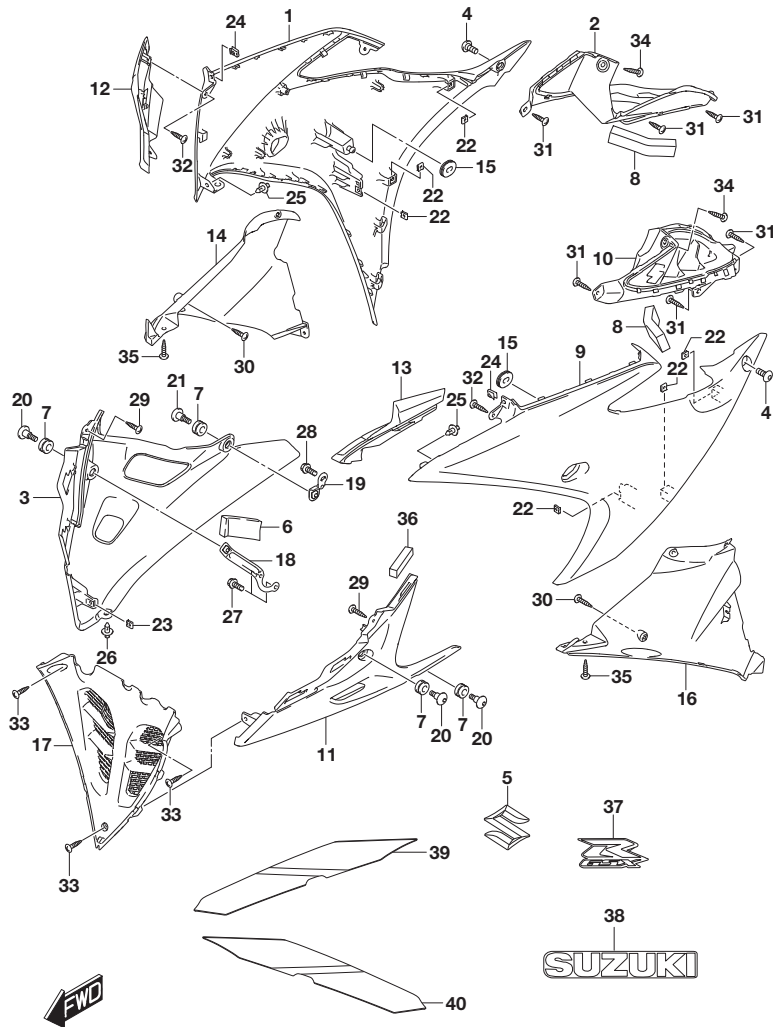
**FIG.485A**



**FIG.485A (1-E-12) SIDE COWLING (GSX-R150RFXM4)**

REF NO.	PART NO.	DESCRIPTION	Q'TY	REMARKS
1	94431-23K00-YUH	COWLING, SIDE UPPER RH (WHITE)	1	
2	94432-23K00-000	COWLING, SIDE MIDDLE RH	1	
3	94433-23K00-YUH	COWLING, SIDE LOWER RH (WHITE)	1	
4	44513-23K00-000	SCREW, FRAME COVER	2	
5	68641-23K10-000	EMBLEM, S	2	
6	94434-23K00-000	CUSHION, SIDE COWLING LWR INR	1	
7	94436-23K00-000	CUSHION, UNDER COWLING RH	4	
8	94437-23K00-000	CUSHION, SIDE COWLING MIDDLE	2	
9	94441-23K00-YUH	COWLING, SIDE UPPER LH (WHITE)	1	
10	94442-23K00-000	COWLING, SIDE MIDDLE LH	1	
11	94443-23K00-YUH	COWLING, SIDE LOWER LH (WHITE)	1	
12	94451-23K00-000	COVER, INTAKE RH	1	
13	94461-23K00-000	COVER, INTAKE LH	1	
14	94471-23K00-000	COWLING, INNER FR RH	1	
15	94478-14J00-000	CUSHION	2	

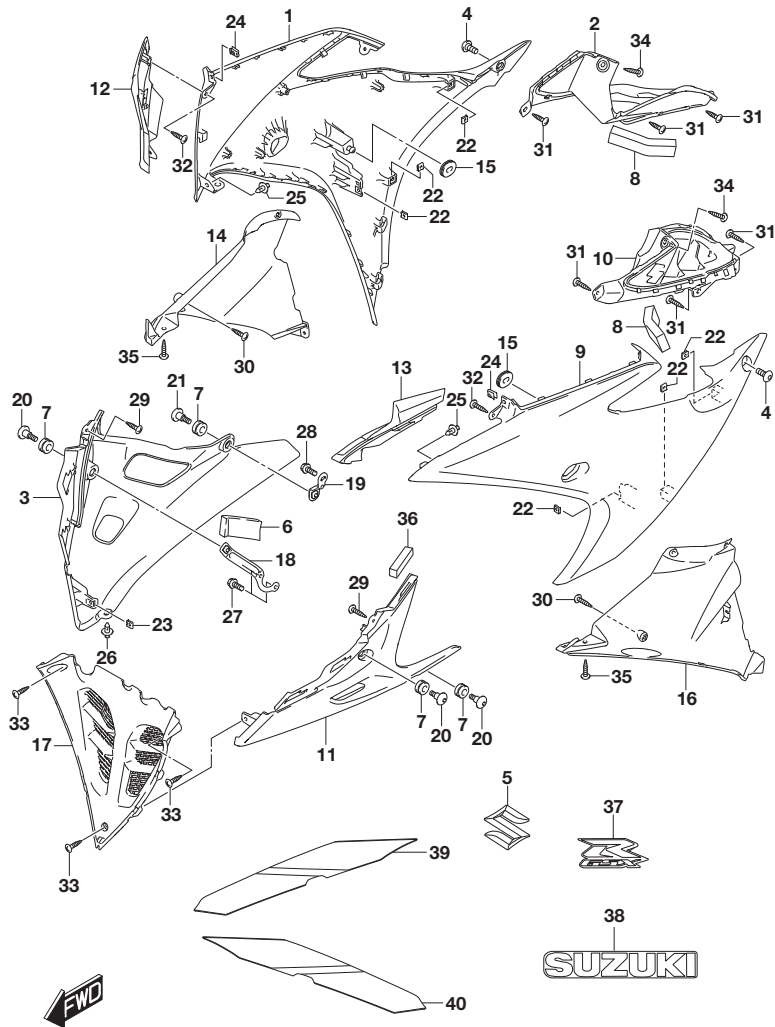
**FIG.485A**



**FIG.485A (1-E-13) SIDE COWLING (GSX-R150RFXM4)**

REF NO.	PART NO.	DESCRIPTION	Q'TY	REMARKS
16	94481-23K00-000	COWLING, INNER FR LH	1	
17	94494-23K00-000	COWLING, LOWER CENTER	1	
18	94560-23K00-000	BRACKET, SIDE COWL LWR FR	1	
19	94570-23K00-000	BRACKET, SIDE COWL LWR RR	1	
20	09139-06190-000	SCREW (6X20)	3	
21	09139-06190-000	SCREW (6X20)	1	
22	09148-04019-000	NUT (M4)	6	
23	09148-04019-000	NUT (M4)	1	
24	09148-05058-000	NUT	2	
25	09409-06341-000	CLIP (5.9X20.5)	2	
26	09409-06341-000	CLIP (5.9X20.5)	1	
27	01550-0612A-000	BOLT	2	
28	01550-0612B-000	BOLT	1	
29	03541-0412A-000	SCREW	2	
30	03541-0412B-000	SCREW	2	
31	03541-0416A-000	SCREW	6	
32	03541-0416A-000	SCREW	2	
33	03541-0416B-000	SCREW	3	
34	03541-0416B-000	SCREW	2	
35	03541-0516A-000	SCREW	2	
36	94414-23K00-000	CUSHION (10X10X30)	1	
37	68185-23K60-BYM	EMBLEM,"GSXR"	2	
38	68181-23K50-BSS	EMBLEM,"SUZUKI"	1	

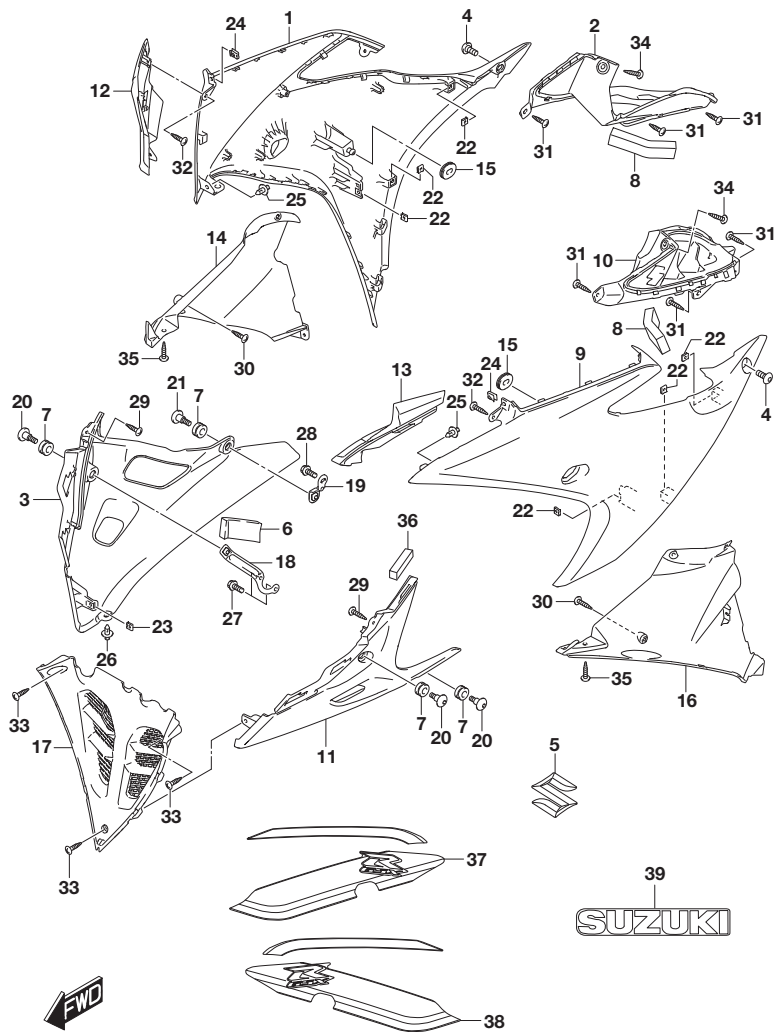
**FIG.485A**



**FIG.485A (1-E-14) SIDE COWLING (GSX-R150RFXM4)**

REF NO.	PART NO.	DESCRIPTION	Q'TY	REMARKS
39	68183-23K50-CQV	TAPE,SIDE COWLING UPPER,R (BLUE/WHITE)	1	
40	68193-23K50-CQV	TAPE,SIDE COWLING UPPER,L (BLUE/WHITE)	1	

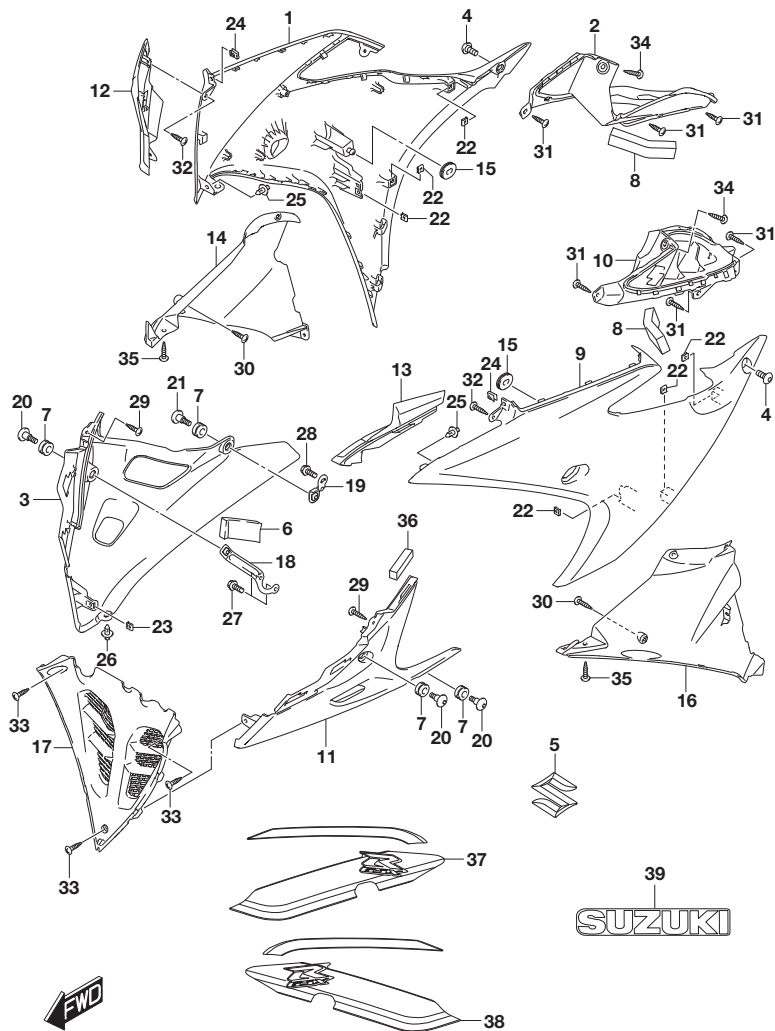
**FIG.485B**



**FIG.485B (1-E-15) SIDE COWLING (GSX-R150RFM4)**

REF NO.	PART NO.	DESCRIPTION	Q'TY	REMARKS
1-1	94431-23K00-291	COWLING, SIDE UPPER RH (BLACK)	1	BODY COLOR:AYX
1-2	94431-23K00-YVU	COWLING, SIDE UPPER RH (BLACK)	1	BODY COLOR:GTA
2	94432-23K00-000	COWLING, SIDE MIDDLE RH	1	
3-1	94433-23K00-291	COWLING, SIDE LOWER RH (BLACK)	1	BODY COLOR:AYX
3-2	94433-23K00-ZRP	COWLING, SIDE LOWER, R (SILVER)	1	BODY COLOR:GTA
4	44513-23K00-000	SCREW, FRAME COVER	2	
5	68641-23K10-000	EMBLEM, S	2	
6	94434-23K00-000	CUSHION, SIDE COWLING LWR INR	1	
7	94436-23K00-000	CUSHION, UNDER COWLING RH	4	
8	94437-23K00-000	CUSHION, SIDE COWLING MIDDLE	2	
9-1	94441-23K00-291	COWLING, SIDE UPPER LH (BLACK)	1	BODY COLOR:AYX
9-2	94441-23K00-YVU	COWLING, SIDE UPPER LH (BLACK)	1	BODY COLOR:GTA
10	94442-23K00-000	COWLING, SIDE MIDDLE LH	1	
11-1	94443-23K00-291	COWLING, SIDE LOWER LH (BLACK)	1	BODY COLOR:AYX
11-2	94443-23K00-ZRP	COWLING, SIDE LOWER LH (SILVER)	1	BODY COLOR:GTA
12	94451-23K00-000	COVER, INTAKE RH	1	
13	94461-23K00-000	COVER, INTAKE LH	1	
14	94471-23K00-000	COWLING, INNER FR RH	1	
15	94478-14J00-000	CUSHION	2	

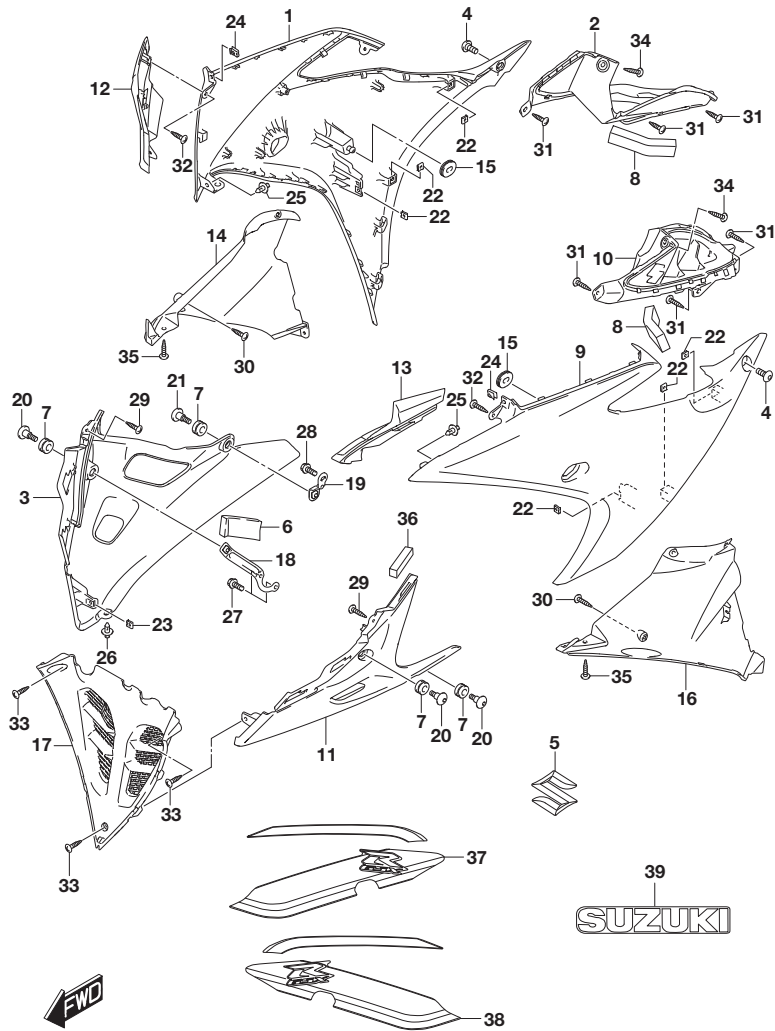
**FIG.485B**



**FIG.485B (1-F-2) SIDE COWLING (GSX-R150RFM4)**

REF NO.	PART NO.	DESCRIPTION	Q'TY	REMARKS
16	94481-23K00-000	COWLING, INNER FR LH	1	
17	94494-23K00-000	COWLING, LOWER CENTER	1	
18	94560-23K00-000	BRACKET, SIDE COWL LWR FR	1	
19	94570-23K00-000	BRACKET, SIDE COWL LWR RR	1	
20	09139-06190-000	SCREW (6X20)	3	
21	09139-06190-000	SCREW (6X20)	1	
22	09148-04019-000	NUT (M4)	6	
23	09148-04019-000	NUT (M4)	1	
24	09148-05058-000	NUT	2	
25	09409-06341-000	CLIP (5.9X20.5)	2	
26	09409-06341-000	CLIP (5.9X20.5)	1	
27	01550-0612A-000	BOLT	2	
28	01550-0612B-000	BOLT	1	
29	03541-0412A-000	SCREW	2	
30	03541-0412B-000	SCREW	2	
31	03541-0416A-000	SCREW	6	
32	03541-0416A-000	SCREW	2	
33	03541-0416B-000	SCREW	3	
34	03541-0416B-000	SCREW	2	
35	03541-0516A-000	SCREW	2	
36	94414-23K00-000	CUSHION (10X10X30)	1	
37-1	68180-23K10-CRH	TAPE SET, SIDE COWLING, R (RED/BLACK)	1	BODY COLOR:AYX
37-2	68180-23K10-CRG	TAPE SET, SIDE COWLING, R (RED/SILVER/BLACK)	1	BODY COLOR:GTA
38-1	68190-23K10-CRH	TAPE, SIDE COWL UPR NO.3, L (RED/BLACK)	1	BODY COLOR:AYX
38-2	68190-23K10-CRG	TAPE, SIDE COWL UPR NO.3, L (RED/BLACK/SILVER)	1	BODY COLOR:GTA

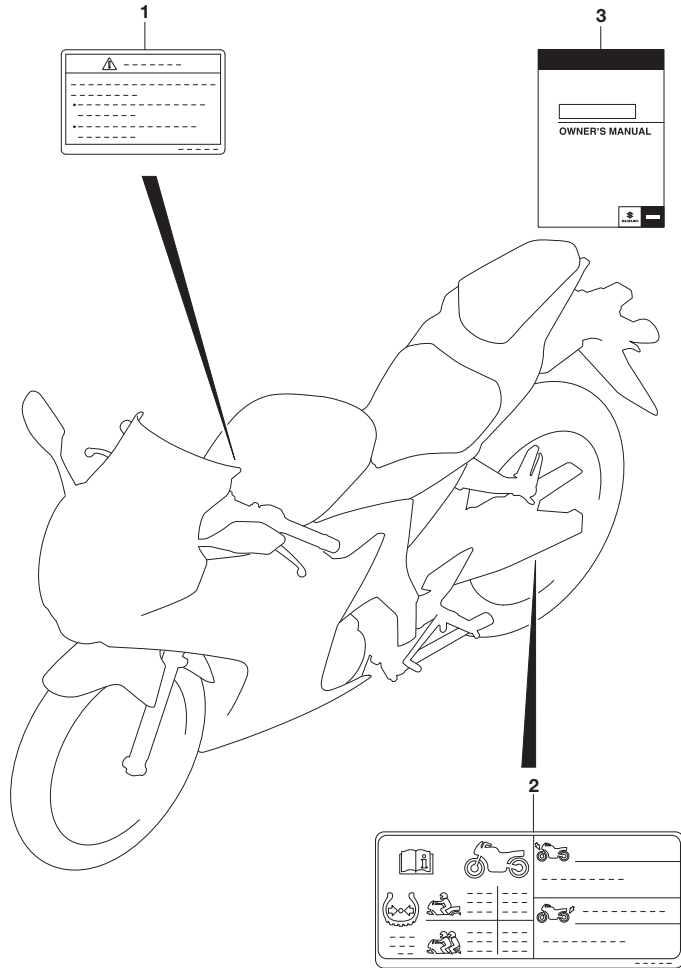
**FIG.485B**



**FIG.485B (1-F-3) SIDE COWLING (GSX-R150RFM4)**

REF NO.	PART NO.	DESCRIPTION	Q'TY	REMARKS
39-1	68181-23K50-BJF	EMBLEM,"SUZUKI"	1	BODY COLOR:AYX
39-2	68181-23K50-JTB	EMBLEM,"SUZUKI"	1	BODY COLOR:GTA

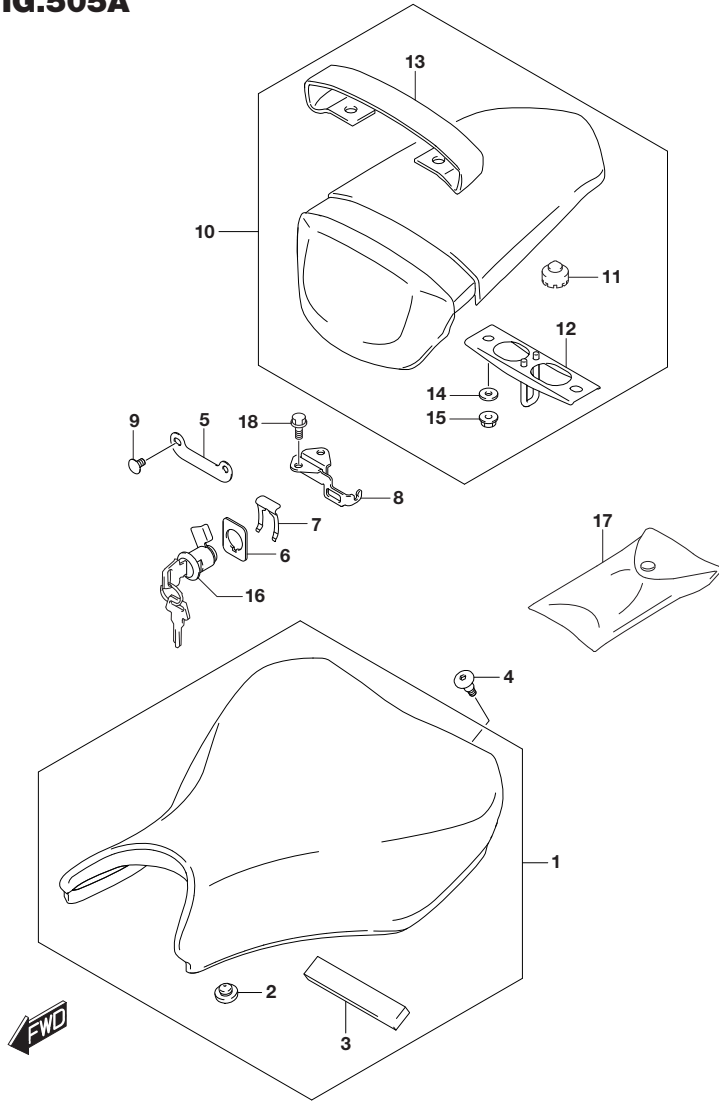
**FIG.496A**



**FIG.496A (1-F-4) LABEL**

REF NO.	PART NO.	DESCRIPTION	Q'TY	REMARKS
1	68319-40J00-000	LABEL,GENERAL WARNING	1	
2	68332-23KD0-000	LABEL,TIRE INFORMATION	1	
3	99011-23K56-08A	MANUAL,OWNER'S	1	

**FIG.505A**

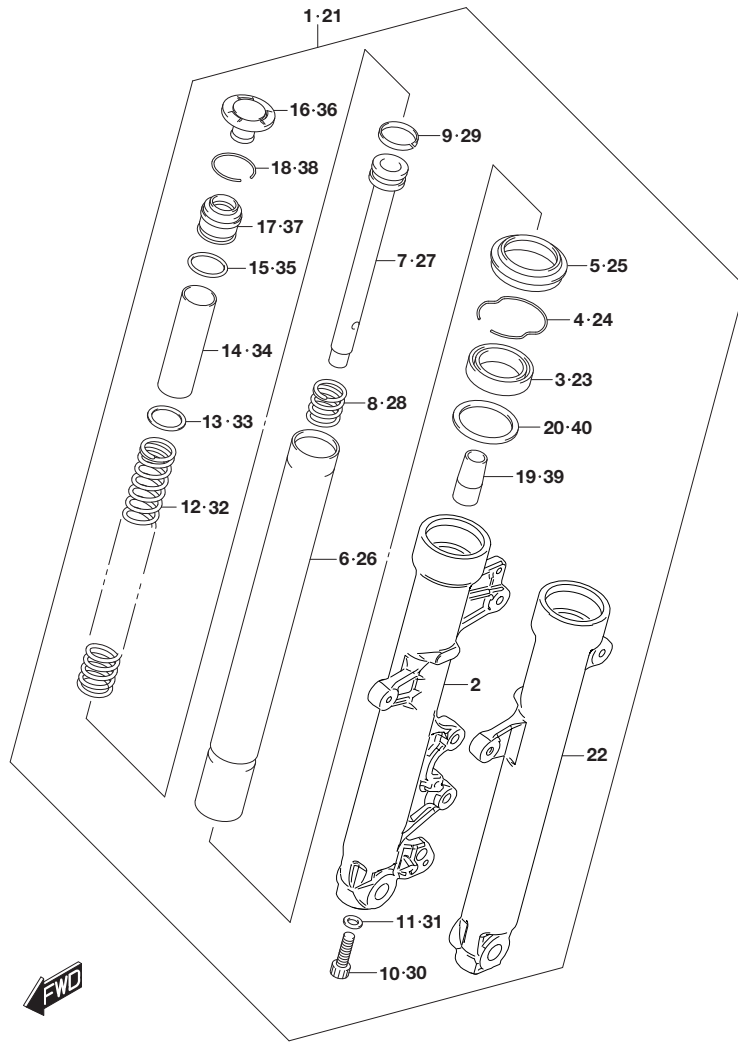


**FIG.505A (1-F-5) SEAT**

REF NO.	PART NO.	DESCRIPTION	Q'TY	REMARKS
1	45100-23K00-PRQ	SEAT ASSY (BLACK)	1	
2	45148-23J00-000	CUSHION,SEAT MOUNT	4	
3	45149-23K00-000	CUSHION, BATTERY	1	
4	45241-23K00-000	BOLT, SEAT	2	
5	45289-23K10-000	GUARD, SEAT LOCK	1	
6	45288-12K00-000	GUIDE,SEAT LOCK CABLE	1	
7	45289-11F00-000	PLATE,SEAT LOCK ASSY	1	
8	45220-04K30-000	BRACKET, STRIKER SUPPORT	1	
9	02142-0610A-000	SCREW	2	
10	45300-23K01-PRQ	SEAT ASSY,PILLION (BLACK)	1	
11	45148-20G80-000	CUSHION,SEAT MOUNT	2	
12	45290-23K00-000	STRIKER, SEAT LOCK	1	
13	45380-23K01-PRQ	BAND,PILLION SEAT GRIP (BLACK )	1	
14	09160-06012-000	WASHER (6.5X22X1.6)	2	
15	08316-1006A-000	NUT (6X12)	2	
16	95700-14820-000	LOCK ASSY, SEAT	1	
17	96510-23K01-000	TOOL ASSY	1	
18	01550-0612A-000	BOLT	2	



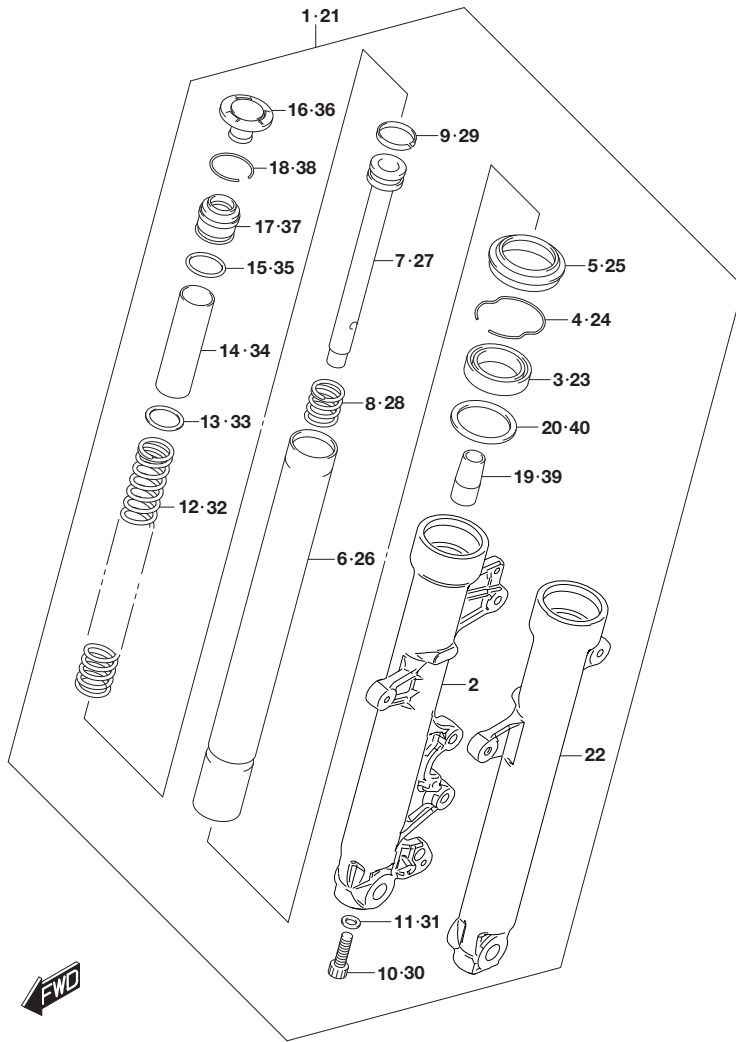
**FIG.521A**



**FIG.521A (1-F-6) FRONT FORK DAMPER**

REF NO.	PART NO.	DESCRIPTION	Q'TY	REMARKS
1	51103-23K00-291	DAMPER ASSY, FRONT FORK RH (BLACK)	1	
2	51131-23K00-291	TUBE, OUTER RH (BLACK)	1	
3	51153-23K00-000	OIL SEAL	1	
4	51156-23K00-000	RING, SNAP	1	
5	51571-23K00-000	SEAL, DUST	1	
6	51110-23K00-000	TUBE, INNER	1	
7	51194-23K00-000	CYLINDER	1	
8	51177-08K00-000	SPRING, REBOUND	1	
9	51196-08K00-000	RING, PISTON	1	
10	51147-48130-000	BOLT	1	
11	51148-31030-000	GASKET	1	
12	51171-23K00-000	SPRING, FRONT	1	
13	51172-36331-000	SEAT, SPRING	1	
14	51176-23K00-000	SPACER	1	
15	51117-43EC0-000	O RING	1	
16	51351-23K00-000	CAP	1	
17	51175-23K00-000	SEAT, SPRING	1	
18	51169-48500-000	RING, STOPPER	1	
19	51195-26B00-000	PIECE, OIL LOCK	1	
20	51168-23K00-000	SPACER, SEAL	1	
21	51104-23K00-291	DAMPER ASSY, FRONT FORK LH (BLACK)	1	
22	51141-23K00-291	TUBE, OUTER LH (BLACK)	1	
23	51153-23K00-000	OIL SEAL	1	
24	51156-23K00-000	RING, SNAP	1	
25	51571-23K00-000	SEAL, DUST	1	
26	51110-23K00-000	TUBE, INNER	1	
27	51194-23K00-000	CYLINDER	1	
28	51177-08K00-000	SPRING, REBOUND	1	
29	51196-08K00-000	RING, PISTON	1	
30	51147-48130-000	BOLT	1	
31	51148-31030-000	GASKET	1	
32	51171-23K00-000	SPRING, FRONT	1	
33	51172-36331-000	SEAT, SPRING	1	

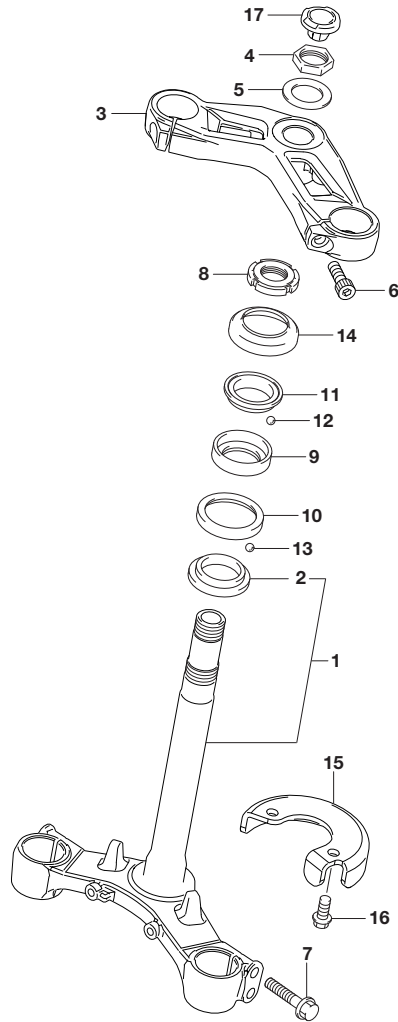
**FIG.521A**



**FIG.521A (1-F-7) FRONT FORK DAMPER**

REF NO.	PART NO.	DESCRIPTION	Q'TY	REMARKS
34	51176-23K00-000	SPACER	1	
35	51117-43EC0-000	O RING	1	
36	51351-23K00-000	CAP	1	
37	51175-23K00-000	SEAT, SPRING	1	
38	51169-48500-000	RING, STOPPER	1	
39	51195-26B00-000	PIECE, OIL LOCK	1	
40	51168-23K00-000	SPACER, SEAL	1	

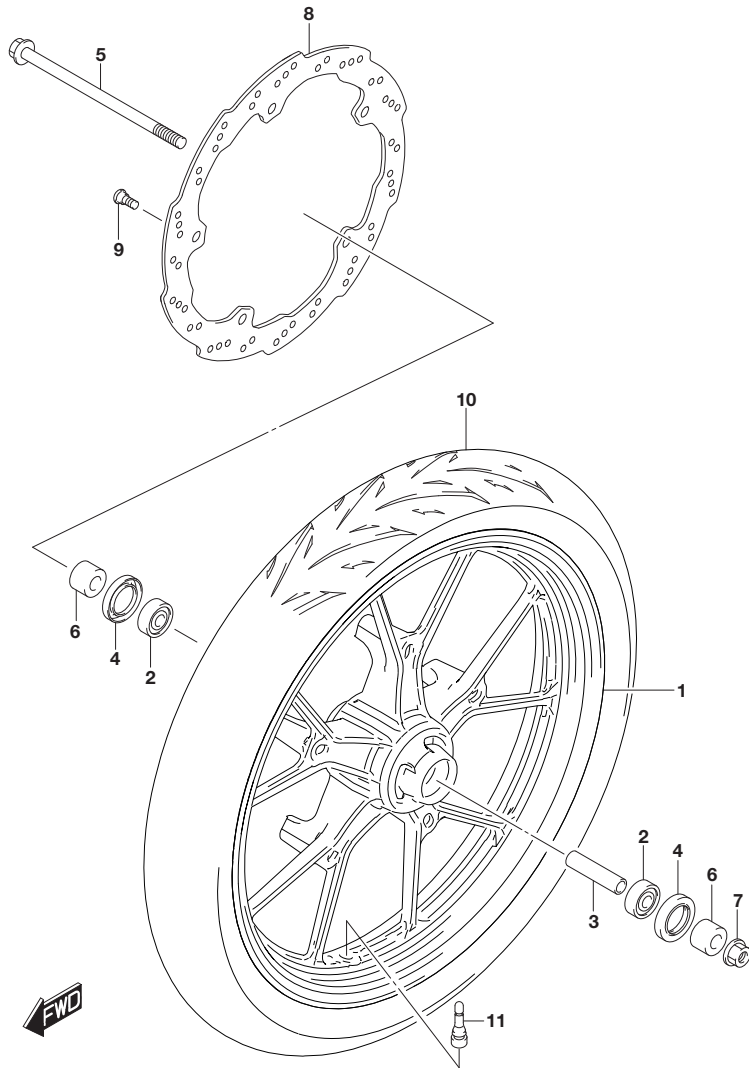
**FIG.524A**



**FIG.524A (1-F-8) STEERING STEM**

REF NO.	PART NO.	DESCRIPTION	Q'TY	REMARKS
1	51410-23K30-000	STEM,STEERING	1	
2	51622-25G00-000	RACE,STEERING LWR	1	
3	51311-23K50-YMC	BRACKET, UPPER (SILVER)	1	
4	51353-12K00-000	NUT	1	
5	51354-49G00-000	WASHER	1	
6	51328-23K00-000	BOLT	2	
7	51434-12K00-000	BOLT	4	
8	51631-05000-000	NUT	1	
9	51611-41H01-000	RACE,STEERING INNER UPPER	1	
10	51612-41H01-000	RACE,STEERING INNER LOWER	1	
11	51621-41H00-000	RACE,STEERING OUTER UPR	1	
12	06111-06004-000	BALL	23	UPPER
13	06111-06004-000	BALL	28	LOWER
14	51643-06001-000	DUST SEAL,STEERING UPR	1	
15	51910-23K30-000	PLATE,STEERING LOCK	1	
16	09103-08351-000	BOLT (8X16)	2	
17	51344-23K00-000	CAP,STEERING STEM	1	

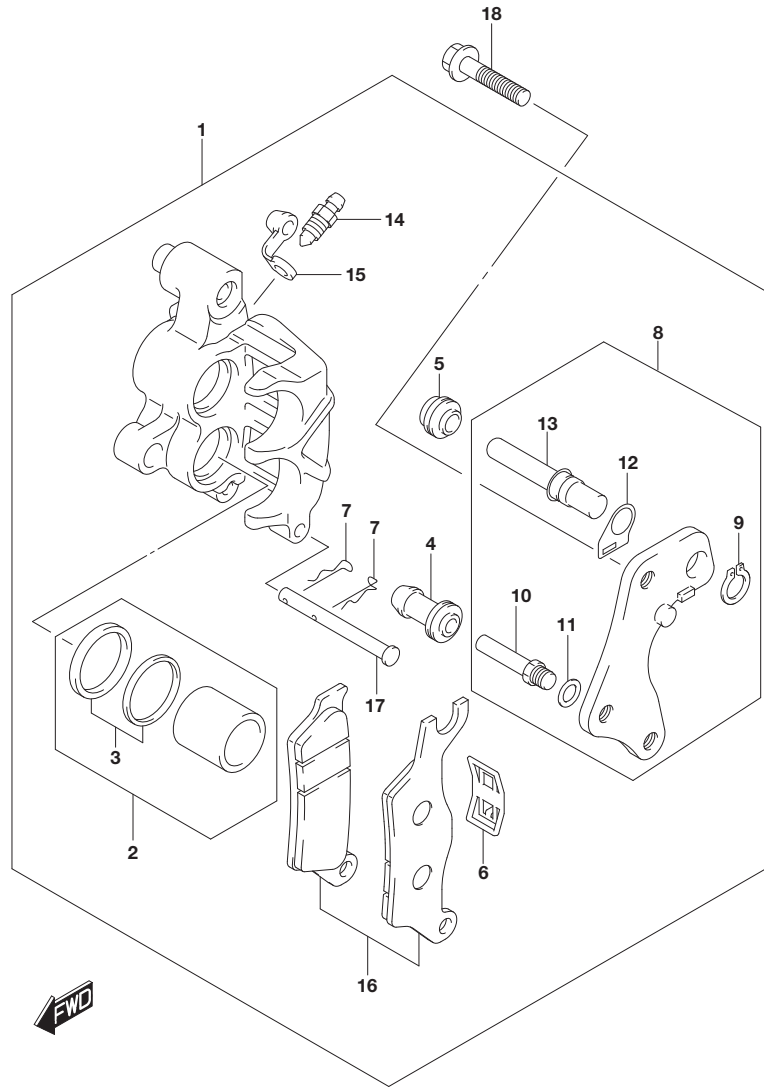
**FIG.530A**



**FIG.530A (1-F-9) FRONT WHEEL**

REF NO.	PART NO.	DESCRIPTION	Q'TY	REMARKS
1-1	54111-23K00-QP2	WHEEL,FRONT (17X2.15,BLUE)	1	BODY COLOR:BQJ
1-2	54111-23K00-PZW	WHEEL,FRONT (17X2.15,RED)	1	BODY COLOR:AYX
1-3	54111-23K00-019	WHEEL,FRONT (17X2.15,BLACK)	1	BODY COLOR:GTA
2	08123-6301B-000	BEARING	2	
3	54731-23K00-000	SPACER,FR WHEEL BEARING	1	
4	09285-25008-000	SEAL,OIL (25X40X6)	2	
5	54711-23K00-000	AXLE,FRONT	1	
6	54751-25G01-000	SPACER,FR AXLE	2	
7	08319-3112A-000	NUT	1	
8	59211-25G60-000	DISC,FRONT BRAKE	1	
9	59218-09G10-000	BOLT,FR BRAKE DISC (8X21)	5	
10	55110-23K00-000	TIRE, FRONT (90/80-17M/C 46P N R88)	1	
11	43130-40J00-000	VALVE ASSY,WHEEL RIM (TR413)	1	

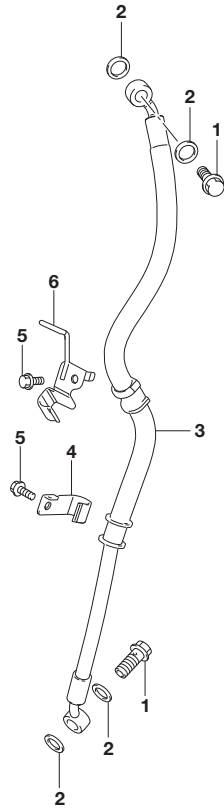
**FIG.535A**



**FIG.535A (1-F-10) FRONT CALIPER**

REF NO.	PART NO.	DESCRIPTION	Q'TY	REMARKS
1	59100-12K30-000	CALIPER ASSY,FRONT	1	
2	59100-34870-000	PISTON SET	1	
3	59100-34860-000	SEAL SET, PISTON	1	
4	59109-34J00-000	INSULATOR	1	
5	59108-34J00-000	DUST COVER	1	
6	59315-34J00-000	SPRING	1	
7	59746-34J00-000	CLIP	2	
8	59351-34J00-000	BRACKET	1	
9	59665-34J00-000	CIRCLIP	1	
10	59187-34J00-000	PIN	1	
11	59188-34J00-000	SPACER	1	
12	59145-34J00-000	STOPPER	1	
13	59382-34J00-000	PIN	1	
14	59121-30H10-000	SCREW,BLEEDER	1	
15	59122-30H00-000	CAP,BLEEDER	1	
16	59101-34820-000	PAD SET	1	
17	59141-34J20-000	PIN	1	
18	01550-0825A-000	BOLT	2	

**FIG.536A**



**FIG.536A (1-F-11) FRONT BRAKE HOSE**

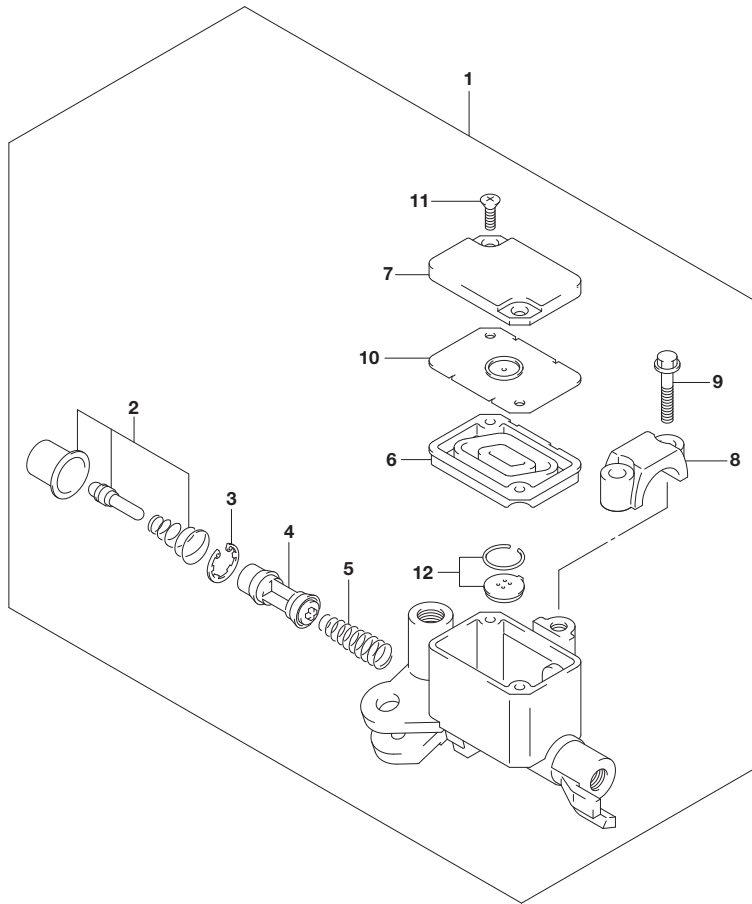
REF NO.	PART NO.	DESCRIPTION	Q'TY	REMARKS
1	59492-30H20-000	BOLT,BRAKE FLUID	2	
2	09161-10009-000	WASHER (10X15X1.5)	4	
3	59480-23K11-000	HOSE,FRONT BRAKE	1	
4	59268-23K00-000	CLAMP,FR BRAKE HOSE LOWER	1	
5	01547-0610A-000	BOLT	2	
6	59260-23K00-000	CLAMP, FR BRAKE HOSE UPPER	1	



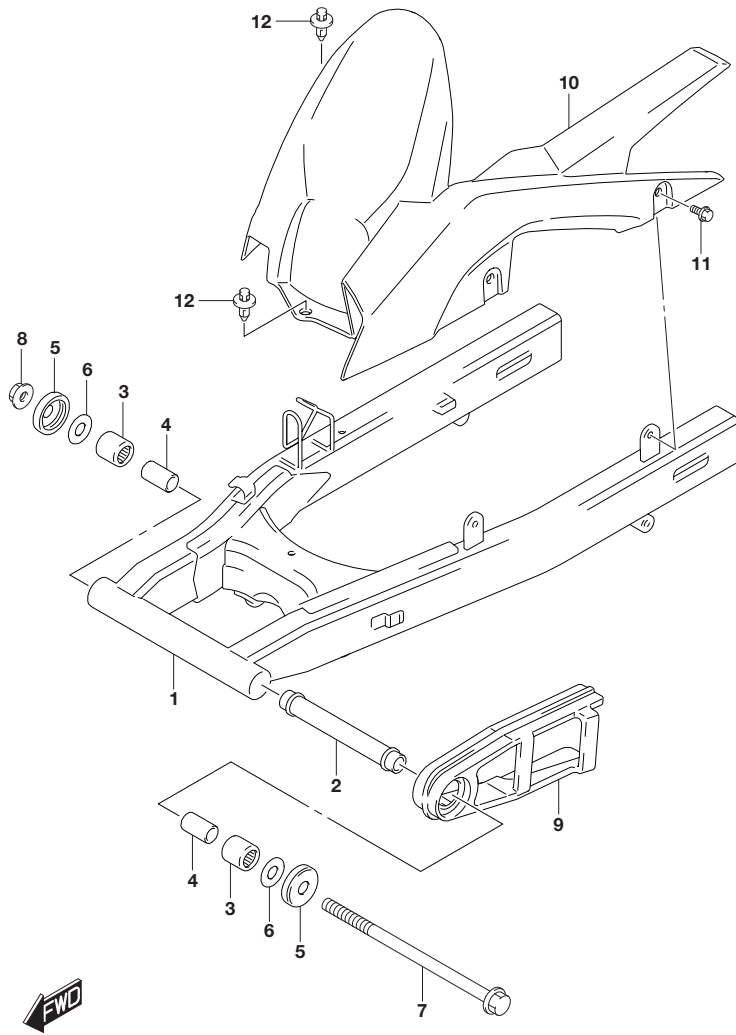
**FIG.537A**

**FIG.537A (1-F-12) FRONT MASTER CYLINDER**

REF NO.	PART NO.	DESCRIPTION	Q'TY	REMARKS
1	59600-12K10-000	CYLINDER ASSY,FRONT MASTER	1	
2	59870-30H00-000	PUSH ROD ASSY	1	
3	59665-30H00-000	CIRCLIP	1	
4	59610-12K00-000	PISTON ASSY	1	
5	57318-12K00-000	SPRING	1	
6	59667-12K00-000	DIAPHRAGM	1	
7	59687-23K00-000	COVER	1	
8	59671-30H00-000	CLAMP	1	
9	59688-30H00-000	SCREW	2	
10	59668-30H00-000	PLATE,DIAPHRAGM	1	
11	59691-30H00-000	FLAT SCREW	2	
12	59669-30H00-000	CAP	1	



**FIG.541A**

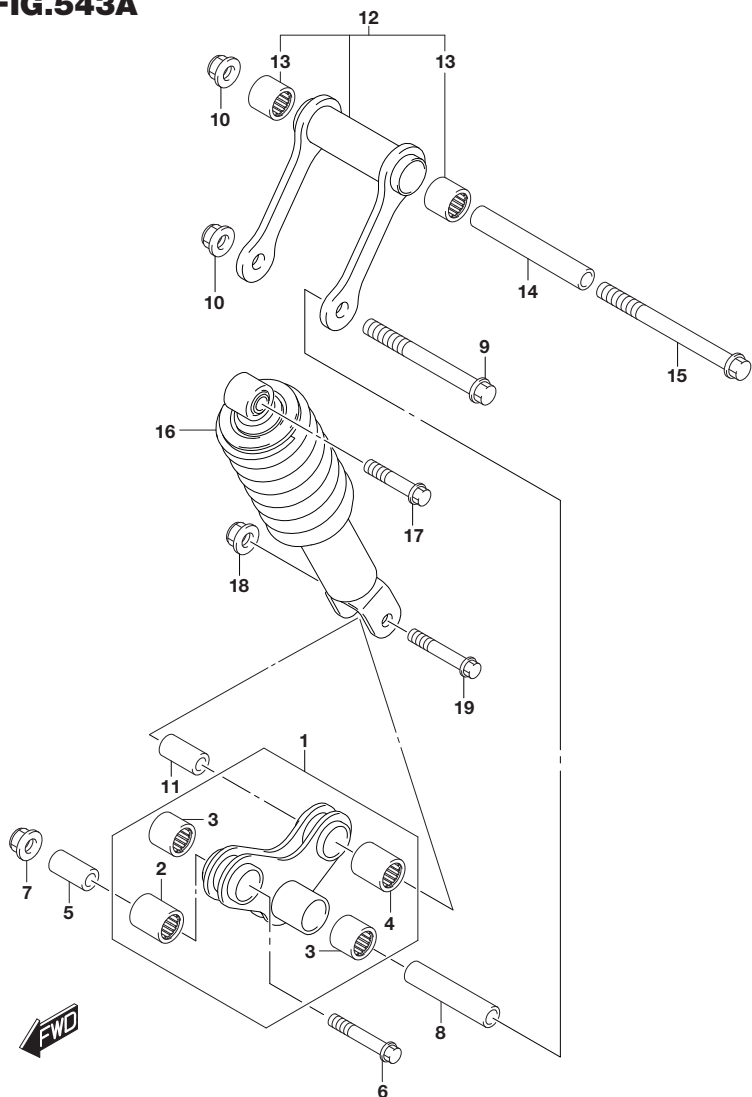


**FIG.541A (1-F-13) REAR SWINGARM**

REF NO.	PART NO.	DESCRIPTION	Q'TY	REMARKS
1	61100-23K40-000	SWINGINGARM,REAR	1	
2	61280-23K00-000	SPACER,RR SWGARM PIVOT	1	
3	09263-17053-000	BEARING (17X24X25)	2	
4	61251-34J00-000	SPACER,RR SWGARM PIVOT	2	
5	61262-23K01-000	COVER,REAR SWGARM DUST SEAL	2	
6	09181-12010-000	SHIM (12.5X27.8X0.8)	2	
7	61211-23K00-000	SHAFT,RR SWGARM PIVOT	1	
8	08319-3112A-000	NUT	1	
9	61273-23K00-000	BUFFER,CHAIN TOUCH DEFENSE	1	
10	61311-23K00-000	CASE,CHAIN	1	
11	61361-09G30-000	BOLT,CHAIN CASE	2	
12	09409-06341-000	CLIP (5.9X20.5)	2	



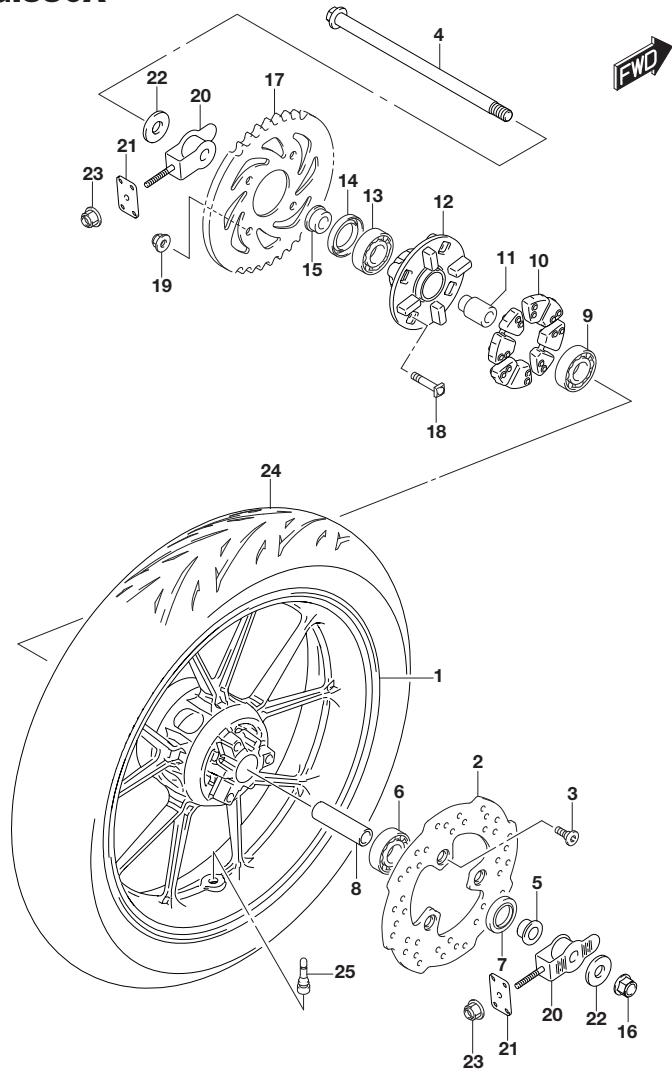
**FIG.543A**



**FIG.543A (1-F-14) REAR CUSHION LEVER**

REF NO.	PART NO.	DESCRIPTION	Q'TY	REMARKS
1	62600-23822-000	LEVER SET,RR CUSHION	1	
2	09263-17046-000	BEARING (17X24X32)	1	FRONT
3	09263-17053-000	BEARING (17X24X25)	2	CENTER
4	09263-17057-000	BEARING (17X24X26)	1	REAR
5	62684-23K10-000	SPACER,REAR CUSH LVR FR	1	
6	62658-23K00-000	BOLT	1	
7	08319-3112A-000	NUT	1	
8	62684-23K00-000	SPACER,REAR CUSH LVR CTR	1	
9	09103-12097-000	BOLT (12X105)	1	
10	08319-3112A-000	NUT	2	
11	62684-01D10-000	SPACER,REAR CUSH LVR,RR	1	
12	62600-23831-000	ROD SET,CUSHION LEVER	1	
13	09263-17053-000	BEARING (17X24X25)	2	
14	62685-23K00-000	SPACER,REAR CUSH ROD	1	
15	09103-12077-000	BOLT (12X130)	1	
16	62100-23K10-019	ABSORBER ASSY,REAR SHOCK (BLAC K)	1	
17	09103-10049-000	BOLT (10X44)	1	UPPER
18	08319-3110A-000	NUT	1	
19	09103-10213-000	BOLT (10X52)	1	LOWER

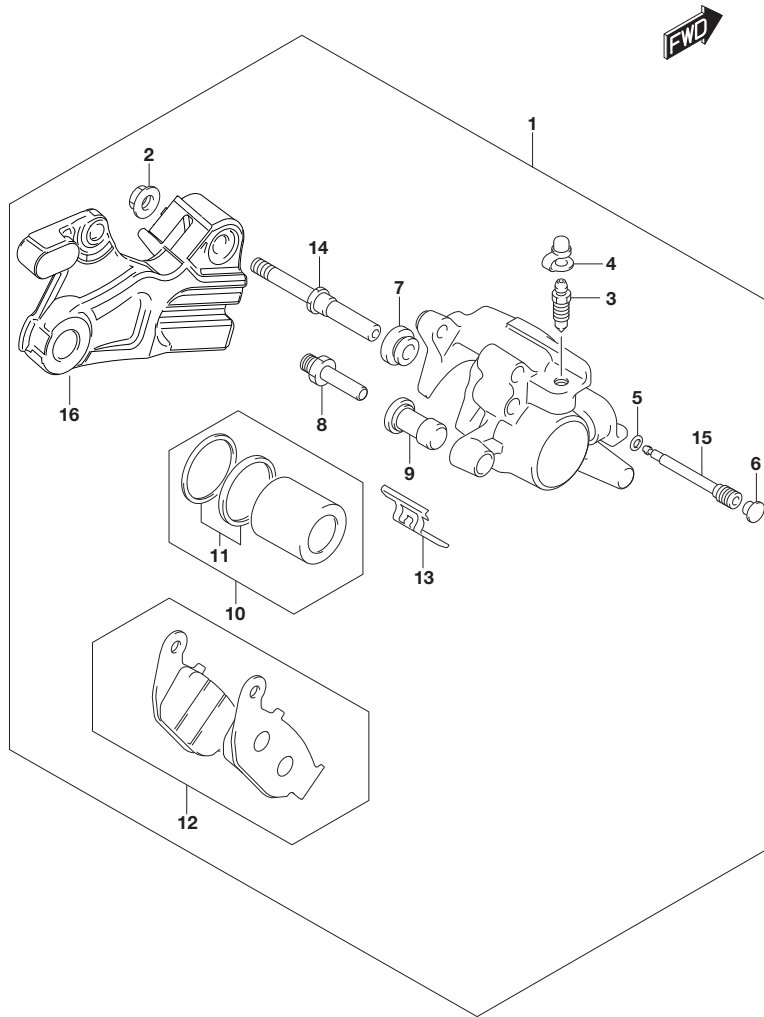
**FIG.550A**



**FIG.550A (1-F-15) REAR WHEEL**

REF NO.	PART NO.	DESCRIPTION	Q'TY	REMARKS
1-1	64111-23K00-QP2	WHEEL,REAR (17X3.50,BLUE)	1	BODY COLOR:BQJ
1-2	64111-23K00-PZW	WHEEL,REAR (17X3.50,RED)	1	BODY COLOR:AYX
1-3	64111-23K00-019	WHEEL,REAR (17X3.50,BLACK)	1	BODY COLOR:GTA
2	69211-25G50-000	DISC,REAR BRAKE	1	
3	59218-09G10-000	BOLT,FR BRAKE DISC (8X21)	3	
4	64711-23K00-000	AXLE,REAR	1	
5	64741-23K00-000	SPACER,REAR AXLE RH	1	
6	08123-6202B-000	BEARING	1	RH
7	64841-23K00-000	SEAL,REAR WHEEL BEARING RH	1	
8	64731-23K00-000	SPACER,REAR WHEEL BEARING	1	
9	08123-6202B-000	BEARING	1	LH
10	64651-35J00-000	ABSORBER,REAR HUB SHOCK	4	
11	64761-23K00-000	RETAINER,REAR SPROCKET DRUM	1	
12	64611-23K00-000	DRUM,REAR SPROCKET MTG	1	
13	08123-6004B-000	BEARING	1	
14	64841-34J00-000	SEAL,RR SPROCKET MTG DRUM	1	
15	64742-23K00-000	SPACER,REAR SPROCKET DRUM	1	
16	08319-3114A-000	NUT	1	
17	64511-23K00-000	SPROCKET,REAR (NT:45)	1	
18	09105-08011-000	BOLT (8X36)	4	
19	08319-3108A-000	NUT	4	
20	61410-23K00-000	ADJUSTER,CHAIN	2	
21	61421-30H00-000	PLATE,CHAIN ADJUSTER GUIDE	2	
22	61445-34J00-000	WASHER,REAR AXLE	2	
23	08319-3106A-000	NUT	2	
24	65110-23K00-000	TIRE, REAR (130/70-17M/C 62P N R88)	1	
25	43130-40J00-000	VALVE ASSY,WHEEL RIM (TR413)	1	

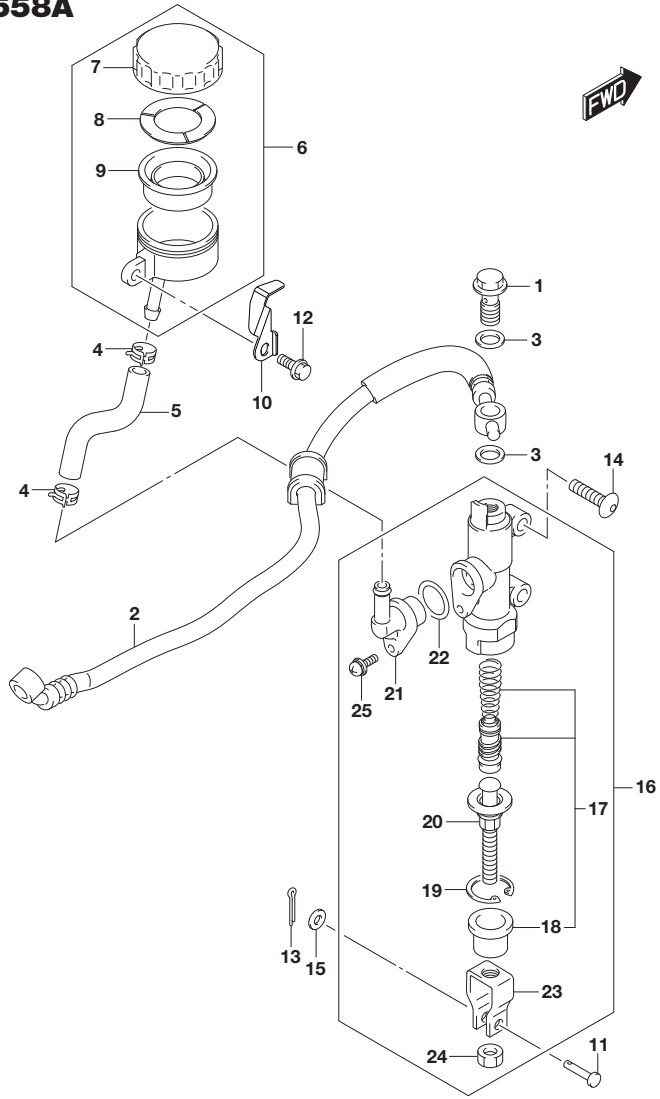
**FIG.555A**



**FIG.555A (1-G-2) REAR CALIPER**

REF NO.	PART NO.	DESCRIPTION	Q'TY	REMARKS
1	69100-23K00-000	CALIPER ASSY, REAR	1	
2	51315-61J00-000	NUT,CYLINDER PUSH ROD	1	
3	59121-01A00-000	BLEEDER	1	
4	59122-01A00-000	CAP,BLEEDER	1	
5	59145-37F00-000	RING,STOPPER	1	
6	59146-20G00-000	PLUG,PIN	1	
7	59303-14500-000	BOOT	1	
8	59382-14500-000	PIN	1	
9	59386-13A00-000	BOOT	1	
10	69100-20850-000	PISTON SET	1	
11	59100-38860-000	SEAL SET,PISTON	1	
12	69101-34810-000	PAD SET	1	
13	69115-20G01-000	SPRING,PAD	1	
14	69187-34J00-000	PIN	1	
15	69345-20G00-000	PIN,HANGER	1	
16	69720-23K00-000	BRACKET	1	

**FIG.558A**



**FIG.558A (1-G-3) REAR MASTER CYLINDER**

REF NO.	PART NO.	DESCRIPTION	Q'TY	REMARKS
1	59492-22J00-000	BOLT, BRAKE FLUID	2	
2	69480-23K00-000	HOSE, REAR BRAKE	1	
3	09168-10033-000	WASHER (10.2X15X1.4)	4	
4	59735-17C00-000	CLAMP, RESERVOIR TANK FR	2	
5	69731-23K00-000	HOSE, REAR RESERVOIR TANK	1	
6	69740-20G10-000	TANK ASSY, REAR RESERVOIR	1	
7	69669-20G10-000	CAP	1	
8	59668-18441-000	PLATE, DIAPHRAGM	1	
9	59667-18441-000	DIAPHRAGM	1	
10	69743-23K00-000	GUARD, RSVR TANK CAP	1	
11	09200-06037-000	PIN (6X17.7)	1	
12	01547-0616A-000	BOLT	1	
13	04111-2015A-000	PIN	1	
14	09139-06057-000	SCREW (6X25)	2	
15	08322-0106A-000	WASHER	1	
16	69600-23K00-000	CYLINDER ASSY, REAR MASTER	1	
17	69600-34840-000	PISTON/CUP SET	1	
18	69691-04A00-000	BOOT	1	
19	69665-47H00-000	CIRCLIP	1	
20	69670-34J00-000	ROD, PUSH	1	
21	69672-34J00-000	CONNECTOR	1	
22	69686-34200-000	O-RING	1	
23	69692-44H00-000	YOKE	1	
24	69693-05A00-000	NUT	2	
25	02112-74125-000	SCREW (4X12)	1	

PART NO.	FIG.NO.-REF.NO.	PART NO.	FIG.NO.-REF.NO.	PART NO.	FIG.NO.-REF.NO.	
10000		12228-12K00-0T0	120A- 3-17	12760-12K00-000	127A- 1	
		16321-12K00-000	120A- 7	12771-12K00-000	127A- 2	
		12111-12K00-0F0	120A- 8	12782-12K01-000	127A- 3	
		12140-12K00-000	120A- 9	12811-12K00-000	127A- 4	
		12151-12K00-000	120A-10	12812-35C00-000	127A- 5	
	11171-23K00-000	102A- 1	12611-12K00-000	122A- 1	12830-12K00-000	127A- 7
	11173-12K00-000	102A- 2	12600-12822-000	122A- 2	12837-12K00-000	127A- 8
	11178-12K00-000	102A- 3	12651-12K02-000	124A- 1	12836-12K01-000	127A-10
	11191-27E70-000	102A- 5	12662-12K00-000	124A- 2	13400-23K00-000	140A- 1
	11100-23K60-000	103A- 1	12662-34J10-000	124A- 3	18117-09JA0-000	140A- 2
	11141-12K01-000	103A- 5	12663-47E50-000	124A- 4	13438-09JA0-000	140A- 3
	11191-27E70-000	103A- 9	12666-12K10-000	124A- 5	13417-09JA0-000	140A- 4
	11117-12K10-000	103A-11	12669-12K10-000	124A- 6	13421-42J00-000	140A- 5
	13111-12K01-000	103A-16	12686-25G31-000	124A- 7	13602-06128-000	140A- 6
	13121-12K00-000	103A-17	12668-34J00-000	124A- 9	15710-23K00-000	140A- 7
	13128-12K00-000	103A-18	12710-12K11-000	126A- 1	15716-42J00-000	140A- 8
	13170-12K00-000	103A-19	12741-12K00-000	126A- 2	15719-12K01-000	140A- 9
11611-23K00-000	103A-24	12702-12K10-000	126A- 4-1	15722-42J00-000	140A-10	
11211-12K01-0F0	107A- 1	12702-12K30-000	126A- 4-2	15830-23K00-000	140A-11	
11241-12K00-000	107A- 4	12741-12K00-000	126A- 5	13700-23K10-000	155A- 1	
13650-49X00-000	107A- 6	12891-25G10-000	126A- 7	13741-23K00-000	155A- 2	
11300-12K00-000	108A- 1	12911-12K00-000	126A- 8	13746-23K00-000	155A- 3	
11313-25G00-000	108A- 7	12912-12K00-000	126A- 9	13761-23K00-000	155A- 4	
11340-12K30-000	112A- 1	12921-12K00-000	126A-10	13780-23K00-000	155A- 5	
11971-45010-000	112A- 2	12931-25G20-000	126A-11	13821-12K00-000	155A- 6	
11482-12K00-000	112A- 3	12932-32C00-000	126A-12-1	13822-12K00-000	155A- 7	
11342-25G00-000	112A- 8	12932-32C10-000	126A-12-2	13853-23K00-000	155A- 8	
11351-12K20-000	112A-12	12933-12K00-000	126A-13	13878-12K00-000	155A- 9	
11483-12K00-000	112A-13	12892-05C00-120	126A-15-1	13881-23K00-000	155A-10	
11352-22J00-000	112A-17	12892-05C00-125	126A-15-2	13891-23K00-000	155A-11	
11360-12K10-000	112A-20	12892-05C00-130	126A-15-3	13826-23K00-000	155A-13	
12200-12K31-000	120A- 1-1	12892-05C00-135	126A-15-4	13747-23K00-000	155A-14	
12200-12KB0-000	120A- 1-2	12892-05C00-140	126A-15-5	13911-23K01-000	155A-15	
12661-12K00-000	120A- 2	12892-05C00-145	126A-15-6	13841-23K00-000	155A-18	
12228-12K00-0A0	120A- 3-1	12892-05C00-150	126A-15-7	14181-47E20-000	163A- 1	
12228-12K00-0B0	120A- 3-2	12892-05C00-155	126A-15-8	14310-23K30-000	163A- 2	
12228-12K00-0C0	120A- 3-3	12892-05C00-160	126A-15-9	14780-23K00-000	163A- 3	
12228-12K00-0D0	120A- 3-4	12892-05C00-165	126A-15-10	14783-23K00-000	163A- 4	
12228-12K00-0E0	120A- 3-5	12892-05C00-170	126A-15-11	14784-23K00-000	163A- 5	
12228-12K00-0F0	120A- 3-6	12892-05C00-175	126A-15-12	14795-10FA0-000	163A- 6	
12228-12K00-0G0	120A- 3-7	12892-05C00-180	126A-15-13	14760-23K00-000	163A-17	
12228-12K00-0H0	120A- 3-8	12892-05C00-185	126A-15-14	14790-23K01-000	163A-18	
12228-12K00-0J0	120A- 3-9	12892-05C00-190	126A-15-15	18213-12K01-000	163A-23	
12228-12K00-0K0	120A- 3-10	12892-05C00-195	126A-15-16	16400-12K00-000	170A- 1	
12228-12K00-0L0	120A- 3-11	12892-05C00-200	126A-15-17	16331-12K00-000	170A- 2	
12228-12K00-0M0	120A- 3-12	12892-05C00-205	126A-15-18	16520-45H01-000	170A- 8	
12228-12K00-0N0	120A- 3-13	12892-05C00-210	126A-15-19	16510-45H10-000	170A- 9-1	
12228-12K00-0P0	120A- 3-14	12892-05C00-215	126A-15-20	16510-45H20-000	170A- 9-2	
12228-12K00-0R0	120A- 3-15	12892-05C00-220	126A-15-21	16512-22J30-000	170A-11	
12228-12K00-0S0	120A- 3-16	12800-05830-000	126A-16	16519-09J00-000	170A-13	

PART NO.	FIG.NO.-REF.NO.	PART NO.	FIG.NO.-REF.NO.	PART NO.	FIG.NO.-REF.NO.
15100-23K00-000	172A- 1	23165-28G60-000	201A-12	25652-16H11-000	212A-28
15420-34JB0-000	172A- 2	23261-12K01-000	201A-13	25617-30H00-000	212A-29
15424-09JB0-000	172A- 3	23271-47E20-000	201A-14		
15120-23K00-000	172A- 4	24121-12K10-000	206A- 1		
15201-23K20-000	172A- 5	24221-12K10-000	206A- 2-1		
15810-23K00-000	172A- 6	24221-12K50-000	206A- 2-2		
16331-12K00-000	180A- 1	24231-12K10-000	206A- 3		
17410-12K20-000	180A- 2	24251-12K40-000	206A- 4		
17431-12K10-000	180A- 3	24261-12K40-000	206A- 5		
17461-12K00-000	180A- 4	24130-12820-000	206A- 9		
17510-12K01-000	180A- 5	24311-12K10-000	206A-10-1	36990-29G00-000	163A-24
17710-23K00-000	185A- 1	24311-12K50-000	206A-10-2	34810-23K10-000	172A- 8
17800-12K01-000	185A- 2	24312-12K00-000	206A-11	36990-25G20-000	189A- 7
17802-12K00-000	185A- 3	24321-12K10-000	206A-12	37720-12K12-000	212A-33
17730-14G00-000	185A- 5	24322-12K00-000	206A-13	37722-25G00-000	212A-34
17751-12K00-000	185A- 6	24323-12K00-000	206A-14	36990-25G20-000	212A-36
17781-12J00-000	185A- 7	24331-12K10-000	206A-15	31100-12K10-000	301A- 1
17670-12K11-000	187A- 1	24341-12K40-000	206A-16	31130-20G00-000	301A- 2
17661-12K02-000	187A- 2	24351-12K00-000	206A-17-1	31131-25G10-000	301A- 3
17851-23K00-000	187A- 4	24351-12K10-000	206A-17-2	31135-19D00-000	301A- 4
17852-12K10-000	187A- 5	24361-12K00-000	206A-18-1	31170-19B10-000	301A- 5
17856-12K00-000	187A- 6	24361-12K10-000	206A-18-2	31151-20G00-000	301A- 6
17910-23K00-000	187A- 9	24399-12K00-000	206A-25	31156-98E00-000	301A- 7
17931-31J10-000	187A-10	24741-20A10-000	206A-28	32101-12K11-000	303A- 1
17920-23K10-000	187A-11	24751-05210-000	206A-30	32102-12K10-000	303A- 2
17981-23K00-000	187A-12	27511-23K10-000	206A-32	32371-12K00-000	303A- 3
18450-06G10-000	189A- 1	27512-25G00-000	206A-33	32371-16H00-000	303A- 4
18461-23K01-000	189A- 2	27610-12K20-122	206A-34-1	33620-23K20-000	310A- 1
18510-48H10-000	189A- 3		206A-34-2	33652-38000-000	310A- 2
18531-09J30-000	189A- 4	27620-12K20-000	206A-35-1	33810-23K00-000	310A- 3
18610-23K10-000	189A- 5		206A-35-2	31861-48B10-000	310A- 4
18711-23K01-000	189A- 6	25211-12K00-000	212A- 1	33820-23K00-000	310A- 5
		25231-12K00-000	212A- 2	33624-23K00-000	310A- 6
		25411-25G10-000	212A- 3	32800-23K00-000	312A- 1
		25421-25G10-000	212A- 4	32832-23K00-000	312A- 2
		24741-20A10-000	212A- 5	32920-23KJ1-000	312A-10
		25311-12K00-000	212A- 6	32942-23K00-000	312A-11
		25312-12K00-000	212A- 7	33960-27G00-000	312A-12
		25381-12K00-000	212A- 8	33410-40J10-000	312A-13
		25350-26D01-000	212A-13	33510-25G10-000	312A-15
		25355-12K00-000	212A-14	33541-25G00-000	312A-16
		25357-22J00-000	212A-15	33542-25G10-000	312A-17
		25510-12K11-000	212A-17	31800-33G60-000	312A-18
		25512-12K01-000	212A-18	31861-47E00-000	312A-19
		25518-12K10-000	212A-19	34100-12KA0-000	330A- 1
		25519-25G00-000	212A-20	34189-30H30-000	330A- 2
		25671-22J10-000	212A-21	34990-12K00-000	330A- 5
		25451-28040-000	201A- 5	35100-23K11-000	333A- 1
		25462-23K00-000	201A- 6	35601-34J80-000	334A- 1
		25600-23K61-000	212A- 9	35613-34J00-000	334A- 2

PART NO.	FIG.NO.-REF.NO.	PART NO.	FIG.NO.-REF.NO.	PART NO.	FIG.NO.-REF.NO.
35614-34J01-000	334A- 3	37180-23K53-000	352A- 7	44200-23860-000	420A- 3
35623-34J30-000	334A- 4	37172-23K24-000	352A- 8	44244-23K00-000	420A- 4
35222-34J80-000	334A- 5	37181-23K20-000	352A- 9	44511-16G01-000	420A- 7
35623-34J40-000	334A- 6	37186-23K00-000	352A-10	44512-16G00-000	420A- 8
35602-34J80-000	334A- 7	37186-23K10-000	352A-11	44542-48H01-000	420A- 9
35613-34J00-000	334A- 8	37187-23K00-000	352A-12	44146-48H00-000	420A-11
35634-34J01-000	334A- 9	37713-23K00-000	352A-13	44541-23K00-000	420A-12
35623-34J30-000	334A-10	37183-23K00-000	352A-15	44544-05J00-000	420A-13
35222-34J80-000	334A-11	37200-23K50-000	355A- 1	44542-23K10-000	420A-14
35623-34J40-000	334A-12	37400-23K30-000	355A- 5	44542-23K00-000	420A-15
35629-34J10-000	334A-13	36990-25G20-000	355A- 9	44179-23K00-000	420A-16
35603-34J80-000	334A-14	36990-25G00-000	355A-10	44189-23K00-000	420A-17
35613-34J00-000	334A-15	35781-23K10-000	401A- 2	44572-23KA0-000	420A-19
35634-34J01-000	334A-16	35950-22J10-000	460A- 8	44183-23K00-000	420A-20
35623-34J30-000	334A-17	35956-23K00-000	460A- 9	44294-23K00-000	420A-21
35222-34J80-000	334A-18	35957-23K00-000	460A-10	44424-23K30-000	420A-25
35623-34J40-000	334A-19	36990-25G10-000	462A-20	44424-23K40-000	420A-26
35604-34J80-000	334A-20			44423-23K10-000	420A-27
35613-34J00-000	334A-21			44424-23K50-000	420A-29
35614-34J01-000	334A-22			44292-23K00-YSF	423A- 1-1
35623-34J30-000	334A-23			44292-23K00-YVU	423A- 1-2
35222-34J80-000	334A-24			44292-23K00-YZE	423A- 1-3
35623-34J40-000	334A-25	40000		44293-23K00-YSF	423A- 2-1
35629-34J10-000	334A-26			44293-23K00-YVU	423A- 2-2
38610-23K00-000	334A-27			44293-23K00-YZE	423A- 2-3
35710-23K00-000	339A- 1	44294-43H11-000	333A- 2	44291-23K10-000	423A- 3
35718-23K00-000	339A- 3	43232-34J00-000	350A- 7	44295-23K00-000	423A- 4
35650-23K00-000	339A- 4	41100-23KF0-000	401A- 1	44572-23KA0-000	423A- 8
35693-23K00-000	339A- 5	42310-23K00-000	407A- 1	44277-23K00-000	423A- 9
35781-23K00-000	339A- 6	42341-40J00-000	407A- 3	47321-23K00-000	423A-10
35781-23K10-000	339A- 7	43110-23K01-000	407A- 5	47111-23K00-291	445A- 1
35781-45H00-000	339A- 8	43501-23K10-000	415A- 1	47211-23K00-291	445A- 2
36990-25G00-000	339A-11	43511-23K00-000	415A- 2	44513-23K00-000	445A- 3
35910-23K00-000	339A-13	43516-35F10-000	415A- 3	47310-23KP0-YUH	445A- 4
35913-23K00-000	339A-14	43576-48B02-000	415A- 4	47312-37H10-000	445A- 8
35970-28G00-000	339A-17	43530-23K00-000	415A- 8	47410-23KP0-YUH	445A- 9
36610-28L00-000	350A- 1	43502-23K00-000	415A-10	47511-23K00-YUH	445A-13
36620-23K01-000	350A- 3	43521-23K00-000	415A-11	48169-12JA0-000	445A-19
36990-25G10-000	350A- 5	43526-35F10-000	415A-12	47112-23K00-000	445A-25
37740-12K10-000	350A- 6	43576-48B02-000	415A-13	47117-10J00-000	445A-26
38500-23K11-000	350A- 8	43530-23K00-000	415A-17	47111-23K00-291	445B- 1
38860-33J00-000	350A-10	43611-23K01-000	415A-20	47211-23K00-291	445B- 2
	350A-11	43621-23K01-000	415A-21	44513-23K00-000	445B- 3
	350A-12	43816-01H02-000	415A-25	47311-23K00-291	445B- 4-1
	350A-16	43810-23K30-000	415A-27	47311-23K00-YVU	445B- 4-2
36852-28L00-000	352A- 1	43820-23K30-000	415A-28	47117-10J00-000	445B- 7
37101-23831-000	352A- 2	44100-23KK0-YSF	420A- 1-1	47312-37H10-000	445B- 8
37100-23K31-000	352A- 3	44100-23KK0-YVU	420A- 1-2	47411-23K00-291	445B- 9-1
37152-23KA0-000	352A- 4	44100-23KK0-YZE	420A- 1-3	47411-23K00-YVU	445B- 9-2
37152-23K10-000	352A- 6	44283-23K10-000	420A- 2	47112-23K00-000	445B-12

PART NO.	FIG.NO.-REF.NO.	PART NO.	FIG.NO.-REF.NO.	PART NO.	FIG.NO.-REF.NO.
47511-23K00-291	445B-13-1	57110-23K01-000	467A- 1	51117-43EC0-000	521A-35
47511-23K00-YVU	445B-13-2	57300-30H21-000	467A- 2	51351-23K00-000	521A-36
48169-12JA0-000	445B-19	57431-30H20-000	467A- 3	51175-23K00-000	521A-37
47161-23J00-000	460A- 2	57421-30H10-000	467A- 4	51169-48500-000	521A-38
48278-16H10-000	474A- 2	57433-30H10-000	467A- 5	51195-26B00-000	521A-39
48169-12JA0-000	481A-17	57460-30H00-000	467A- 6	51168-23K00-000	521A-40
47117-10J00-000	481A-22	57465-30H00-000	467A- 7	51410-23K30-000	524A- 1
48169-12JA0-000	481B-17	57211-40J01-000	467A- 8	51622-25G00-000	524A- 2
47117-10J00-000	481B-27	57500-23K00-000	467A- 9	51311-23K50-YMC	524A- 3
44513-23K00-000	485A- 4	57621-23K00-000	467A-10	51353-12K00-000	524A- 4
	485B- 4	57431-23F20-000	467A-11	51354-49G00-000	524A- 5
45100-23K00-PRQ	505A- 1	57441-25G00-000	467A-12	51328-23K00-000	524A- 6
45148-23J00-000	505A- 2	57442-25G00-000	467A-13	51434-12K00-000	524A- 7
45149-23K00-000	505A- 3	57560-41G20-000	467A-16	51631-05000-000	524A- 8
45241-23K00-000	505A- 4	57562-41G21-000	467A-17	51611-41H01-000	524A- 9
45289-23K10-000	505A- 5	57661-23K00-000	467A-18	51612-41H01-000	524A-10
45288-12K00-000	505A- 6	51103-23K00-291	521A- 1	51621-41H00-000	524A-11
45289-11F00-000	505A- 7	51131-23K00-291	521A- 2	51643-06001-000	524A-14
45220-04K30-000	505A- 8	51153-23K00-000	521A- 3	51910-23K30-000	524A-15
45300-23K01-PRQ	505A-10	51156-23K00-000	521A- 4	51344-23K00-000	524A-17
45148-20G80-000	505A-11	51571-23K00-000	521A- 5	54111-23K00-QP2	530A- 1-1
45290-23K00-000	505A-12	51110-23K00-000	521A- 6	54111-23K00-PZW	530A- 1-2
45380-23K01-PRQ	505A-13	51194-23K00-000	521A- 7	54111-23K00-019	530A- 1-3
43130-40J00-000	530A-11	51177-08K00-000	521A- 8	54731-23K00-000	530A- 3
	550A-25	51196-08K00-000	521A- 9	54711-23K00-000	530A- 5
		51147-48130-000	521A-10	54751-25G01-000	530A- 6
		51148-31030-000	521A-11	59211-25G60-000	530A- 8
		51171-23K00-000	521A-12	59218-09G10-000	530A- 9
		51172-36331-000	521A-13	55110-23K00-000	530A-10
		51176-23K00-000	521A-14	59100-12K30-000	535A- 1
		51117-43EC0-000	521A-15	59100-34870-000	535A- 2
53111-23K00-YVU	460A- 1-1	51351-23K00-000	521A-16	59100-34860-000	535A- 3
	460A- 1-2	51175-23K00-000	521A-17	59109-34J00-000	535A- 4
53111-23K00-YZE	460A- 1-3	51169-48500-000	521A-18	59108-34J00-000	535A- 5
53121-23K00-000	460A- 3	51195-26B00-000	521A-19	59315-34J00-000	535A- 6
53122-23K00-000	460A- 4	51168-23K00-000	521A-20	59746-34J00-000	535A- 7
53275-34J00-000	460A- 5	51104-23K00-291	521A-21	59351-34J00-000	535A- 8
56110-23K20-000	462A- 1	51141-23K00-291	521A-22	59665-34J00-000	535A- 9
56150-23K20-000	462A- 2	51153-23K00-000	521A-23	59187-34J00-000	535A-10
56278-32J10-000	462A- 3	51156-23K00-000	521A-24	59188-34J00-000	535A-11
56500-17K10-000	462A- 6	51571-23K00-000	521A-25	59145-34J00-000	535A-12
56515-17K00-000	462A- 7	51110-23K00-000	521A-26	59382-34J00-000	535A-13
56525-17K00-000	462A- 8	51194-23K00-000	521A-27	59121-30H10-000	535A-14
56600-17K10-000	462A- 9	51177-08K00-000	521A-28	59122-30H00-000	535A-15
56515-17K00-000	462A-10	51196-08K00-000	521A-29	59101-34820-000	535A-16
56525-17K00-000	462A-11	51147-48130-000	521A-30	59141-34J20-000	535A-17
56524-23K10-000	462A-13	51148-31030-000	521A-31	59492-30H20-000	536A- 1
58200-23K20-000	462A-15	51171-23K00-000	521A-32	59480-23K11-000	536A- 3
58300-23K21-000	462A-16	51172-36331-000	521A-33	59268-23K00-000	536A- 4
58300-23K31-000	462A-17	51176-23K00-000	521A-34	59260-23K00-000	536A- 6
58634-12K00-000	462A-18				

PART NO.	FIG.NO.-REF.NO.	PART NO.	FIG.NO.-REF.NO.	PART NO.	FIG.NO.-REF.NO.
59600-12K10-000	537A- 1	68145-23KP0-CRF	445B-11-1	64111-23K00-QP2	550A- 1-1
59870-30H00-000	537A- 2	68145-23KP0-CRG	445B-11-2	64111-23K00-PZW	550A- 1-2
59665-30H00-000	537A- 3	63111-23K00-000	474A- 1	64111-23K00-019	550A- 1-3
59610-12K00-000	537A- 4	63121-23K00-000	474A- 3	69211-25G50-000	550A- 2
57318-12K00-000	537A- 5	63130-23K00-000	474A- 4	64711-23K00-000	550A- 4
59667-12K00-000	537A- 6	63141-23K00-000	474A- 5	64741-23K00-000	550A- 5
59687-23K00-000	537A- 7	63151-23K00-000	474A- 6	64841-23K00-000	550A- 7
59671-30H00-000	537A- 8	63152-23K00-000	474A- 7	64731-23K00-000	550A- 8
59688-30H00-000	537A- 9	63112-23K00-000	474A- 14	64651-35J00-000	550A-10
59668-30H00-000	537A-10	63113-23K00-000	474A-16	64761-23K00-000	550A-11
59691-30H00-000	537A-11	63311-23K00-000	474A-17	64611-23K00-000	550A-12
59669-30H00-000	537A-12	68171-23K20-000	474A-21	64841-34J00-000	550A-14
59218-09G10-000	550A- 3	63153-23K00-000	474A-22	64742-23K00-000	550A-15
51315-61J00-000	555A- 2	68184-23K00-000	481A-20	64511-23K00-000	550A-17
59121-01A00-000	555A- 3	68285-23K70-CRE	481A-21	61410-23K00-000	550A-20
59122-01A00-000	555A- 4	68151-23K40-B53	481B-20-1	61421-30H00-000	550A-21
59145-37F00-000	555A- 5	68151-23K40-GTA	481B-20-2	61445-34J00-000	550A-22
59146-20G00-000	555A- 6	68184-23K00-000	481B-21	65110-23K00-000	550A-24
59303-14500-000	555A- 7	68280-23KB0-CRF	481B-22-1	69100-23K00-000	555A- 1
59382-14500-000	555A- 8	68280-23KB0-CRG	481B-22-2	69100-20850-000	555A-10
59386-13A00-000	555A- 9	68641-23K10-000	485A- 5	69101-34810-000	555A-12
59100-38860-000	555A-11	68185-23K60-BYM	485A-37	69115-20G01-000	555A-13
59492-22J00-000	558A- 1	68181-23K50-BSS	485A-38	69187-34J00-000	555A-14
59735-17C00-000	558A- 4	68183-23K50-CQV	485A-39	69345-20G00-000	555A-15
59668-18441-000	558A- 8	68193-23K50-CQV	485A-40	69720-23K00-000	555A-16
59667-18441-000	558A- 9	68641-23K10-000	485B- 5	69480-23K00-000	558A- 2
		68180-23K10-CRH	485B-37-1	69731-23K00-000	558A- 5
		68180-23K10-CRG	485B-37-2	69740-20G10-000	558A- 6
		68190-23K10-CRH	485B-38-1	69669-20G10-000	558A- 7
		68190-23K10-CRG	485B-38-2	69743-23K00-000	558A-10
		68181-23K50-BJF	485B-39-1	69600-23K00-000	558A-16
		68181-23K50-JTB	485B-39-2	69600-34840-000	558A-17
		68319-40J00-000	496A- 1	69691-04A00-000	558A-18
		68332-23KD0-000	496A- 2	69665-47H00-000	558A-19
		61100-23K40-000	541A- 1	69670-34J00-000	558A-20
		61280-23K00-000	541A- 2	69672-34J00-000	558A-21
		61251-34J00-000	541A- 4	69686-34200-000	558A-22
		61262-23K01-000	541A- 5	69692-44H00-000	558A-23
		61211-23K00-000	541A- 7	69693-05A00-000	558A-24
		61273-23K00-000	541A- 9		
		61311-23K00-000	541A-10		
		61361-09G30-000	541A-11		
		62600-23822-000	543A- 1		
		62684-23K10-000	543A- 5		
		62658-23K00-000	543A- 6		
		62684-23K00-000	543A- 8	99000-69491-000	126A- 17
		62684-01D10-000	543A-11	94435-23K00-000	333A- 7
		62600-23831-000	543A-12	94478-14J00-000	420A-22
		62685-23K00-000	543A-14		
		62100-23K10-019	543A-16	94411-23K00-YSF	481A- 1

60000

90000

PART NO.	FIG.NO.-REF.NO.	PART NO.	FIG.NO.-REF.NO.	PART NO.	FIG.NO.-REF.NO.
94412-23K00-000	481A- 2	94436-23K00-000	485B- 7	09168-10L02-000	108A- 6
94421-23K00-000	481A- 3	94437-23K00-000	485B- 8	09103-10723-000	108A- 8
94510-23K00-000	481A- 4	94441-23K00-291	485B- 9-1	08319-3110A-000	108A- 9
94511-23K00-000	481A- 5	94441-23K00-YVU	485B- 9-2	09206-08008-000	112A- 4
94540-23K00-000	481A- 6	94442-23K00-000	485B-10	01547-0630A-000	112A- 5
94550-23K00-000	481A- 7	94443-23K00-291	485B-11-1	09168-06018-000	112A- 6
94611-23K00-000	481A- 8	94443-23K00-ZRP	485B-11-2	01547-0610A-000	112A- 7
94621-23K00-000	481A- 9	94451-23K00-000	485B-12	09280-17003-000	112A- 9
94618-34J01-000	481A-16	94461-23K00-000	485B-13	09168-10L02-000	112A-10
94413-23K00-000	481A-24	94471-23K00-000	485B-14	01500-1016A-000	112A-11
94414-23K00-000	481A-25	94478-14J00-000	485B-15	01547-0640B-000	112A-14
94415-23K00-000	481A-26	94481-23K00-000	485B-16	09259-36031-000	112A-15
94411-23K00-YVU	481B- 1-1	94494-23K00-000	485B-17	09280-33004-000	112A-16
94411-23K00-YZE	481B- 1-2	94560-23K00-000	485B-18	09280-14003-000	112A-18
94412-23K00-000	481B- 2	94570-23K00-000	485B-19	09206-08008-000	112A-19
94421-23K00-000	481B- 3	94414-23K00-000	485B-36	01547-0630A-000	112A-21
94510-23K00-000	481B- 4	99011-23K56-08A	496A- 3	09206-08008-000	112A-22
94511-23K00-000	481B- 5	95700-14820-000	505A-16	09262-28058-000	120A- 4
94540-23K00-000	481B- 6	96510-23K01-000	505A-17	09262-35103-000	120A- 5
94550-23K00-000	481B- 7			09282-12L01-000	120A- 6
94611-23K00-000	481B- 8			09381-15001-000	120A-11
94621-23K00-000	481B- 9			09140-16019-000	120A-13
94618-34J01-000	481B-16			09421-04011-000	120A-14
94413-23K00-000	481B-24			08211-16251-000	120A-15
94414-23K00-000	481B-25			09164-16005-000	120A-16
94415-23K00-000	481B-26			09180-13012-000	122A- 3
94431-23K00-YUH	485A- 1	09106-07025-000	102A- 4	09206-13007-000	122A- 4
94432-23K00-000	485A- 2	09103-06132-000	103A- 2	09263-22075-000	122A- 5
94433-23K00-YUH	485A- 3	09103-06165-000	103A- 3	09206-08001-000	122A- 6
94434-23K00-000	485A- 6	04211-11129-000	103A- 6	08331-31359-000	124A- 8
94436-23K00-000	485A- 7	09168-06004-000	103A- 7	09140-14022-000	124A-10
94437-23K00-000	485A- 8	01550-0612A-000	103A- 8	09262-15054-000	124A-11
94441-23K00-YUH	485A- 9	09119-06120-000	103A-10	09262-15055-000	124A-12
94442-23K00-000	485A-10	09160-08144-000	103A-12	09421-04011-000	124A-13
94443-23K00-YUH	485A-11	01421-0625A-000	103A-13	08211-14242-000	124A-14
94451-23K00-000	485A-12	08316-1006A-000	103A-14	09202-05035-000	124A-15
94461-23K00-000	485A-13	09482-00646-000	103A-15-1	09103-05025-000	126A- 3
94471-23K00-000	485A-14	09482-00659-000	103A-15-2		126A- 6
94478-14J00-000	485A-15	09280-35009-000	103A-20	09289-04002-000	126A-14
94481-23K00-000	485A-16	01547-0625A-000	103A-21	08211-06181-000	127A- 6
94494-23K00-000	485A-17	09103-08555-000	103A-22	01547-0620B-000	127A- 9
94560-23K00-000	485A-18	09103-10471-000	103A-23	01547-0625A-000	140A-12
94570-23K00-000	485A-19	01421-0620A-000	107A- 2	09401-11101-000	155A-12
94414-23K00-000	485A-36	08316-1006A-000	107A- 3	03541-0512A-000	155A-16
94431-23K00-291	485B- 1-1	04211-11129-000	107A- 5	03541-0520B-000	155A-17
94431-23K00-YVU	485B- 1-2	09168-12017-000	107A- 7	01550-0612A-000	155A-19
94432-23K00-000	485B- 2	01547-0640B-000	108A- 2	09139-06027-000	163A- 7
94433-23K00-291	485B- 3-1	01547-0675A-000	108A- 3	09160-06028-000	163A- 8
94433-23K00-ZRP	485B- 3-2	09206-10014-000	108A- 4	09180-06343-000	163A- 9
94434-23K00-000	485B- 6	01550-1016A-000	108A- 5	09320-08082-000	163A-10

00000

PART NO.	FIG.NO.-REF.NO.	PART NO.	FIG.NO.-REF.NO.	PART NO.	FIG.NO.-REF.NO.
09160-08134-000	163A-11	09380-20009-000	206A- 6	03541-0416A-000	330A- 4
09180-08151-000	163A-12	08110-62040-000	206A- 7	07130-0512A-000	330A- 6
09320-12032-000	163A-13	08120-60200-000	206A- 8	09136-05062-000	333A- 3
01550-0835A-000	163A-14	09380-20009-000	206A-19	09148-05080-000	333A- 4
08319-3108A-000	163A-15	08211-15251-000	206A-20	09320-09016-000	333A- 5
01550-0825A-000	163A-16	08211-16251-000	206A-21	03541-0516A-000	333A- 6
09169-06091-000	163A-19	08211-20241-000	206A-22	09471-12083-000	339A- 2
09320-08082-000	163A-20		206A-23	09160-05050-000	339A- 9
01550-0612B-000	163A-21	08211-20261-000	206A-24	09180-06283-000	339A-10
07130-0616A-000	163A-22	08110-62020-000	206A-26	03541-0516A-000	339A-12
09261-02001-000	170A- 3	09262-20178-000	206A-27	09160-05050-000	339A-15
09280-08022-000	170A- 4	02112-0612A-000	206A-29	02112-0612A-000	339A-16
08332-1106A-000	170A- 5	01500-0610A-000	206A-31	08316-1005A-000	339A-18
01547-0630A-000	170A- 6	07130-0610A-000	206A-36	09481-10501-000	350A- 2
09206-08008-000	170A- 7	09261-03002-000	212A- 9	09404-06429-000	350A- 4
09280-54001-000	170A-10	02112-0612A-000	212A-10	01550-0612A-000	350A- 9
09280-13010-000	170A-12	07130-0620A-000	212A-11	09407-17403-000	350A-13
01547-0620B-000	170A-14	08110-69050-000	212A-12	09407-14407-000	350A-14
01547-0610A-000	172A- 7	08211-06121-000	212A-16	09407-17403-000	350A-15
09168-06018-000	180A- 6	09283-14014-000	212A-22		352A- 5
09261-02001-000	180A- 7	09440-17013-000	212A-23	09160-08091-000	352A-14
01547-0620B-000	180A- 8	08331-31149-000	212A-24	02112-0530B-000	355A- 2
01547-0675A-000	180A- 9	01500-0620A-000	212A-30	02112-0550B-000	355A- 3
08113-0608A-000	180A-10	04111-2015A-000	212A-31	09407-14407-000	355A- 4
08332-1106A-000	180A-11	09160-18043-000	212A-32	02112-0525B-000	355A- 6
01550-0616A-000	185A- 4	09209-05011-000	212A-35	02112-0540B-000	355A- 7
09116-06111-000	185A- 8	09407-17403-000	212A-37	09407-14407-000	355A- 8
09180-06310-000	185A- 9	09440-04010-000	212A-38	09443-14077-000	407A- 2
09320-10501-000	185A-10	07130-0520A-000	212A-39	08319-3110A-000	407A- 4
01550-0610B-000	185A-11	09164-18002-000	212A-40	09160-18022-000	407A- 6
01547-0620B-000	187A- 3	09404-06429-000	212A-41	09443-11033-000	407A- 7
09401-10417-000	187A- 7	01547-0625A-000	301A- 8	09208-08018-000	415A- 5
09401-20406-000	187A- 8	08361-3506A-000	301A- 9	09448-14037-000	415A- 6
09111-06063-000	187A-13	09159-14037-000	303A- 5	08332-1106A-000	415A- 7
09352-50007-140	187A-14	09420-03008-000	303A- 6	09106-10064-000	415A- 9
09401-08402-000	187A-15	07130-0512A-000	303A- 7	09208-08018-000	415A-14
01547-0610A-000	187A-16		303A- 8	09448-14037-000	415A-15
09401-15101-000	189A- 8	07130-0535A-000	303A- 9	08332-1106A-000	415A-16
09401-17L01-000	189A- 9	09407-14407-000	310A- 7	09106-10064-000	415A-18
01547-0616A-000	189A-10	09111-06054-000	312A- 3	09106-08196-000	415A-19
01550-0612A-000	189A-11	09180-06325-000	312A- 4	09208-08020-000	415A-22
09116-05147-000	201A- 7	01550-0625A-000	312A- 5	06112-07004-000	415A-23
09440-15042-000	201A- 8	01550-0635A-000	312A- 6	09440-05005-000	415A-24
09169-16009-000	201A-10	09160-06028-000	312A- 7	08332-1106A-000	415A-26
08211-20352-000	201A-11	09180-06375-000	312A- 8	07130-0830A-000	415A-29
09160-12086-000	201A-15	09320-08507-000	312A- 9	01550-0625A-000	420A- 5
08110-62000-000	201A-16	01547-0620B-000	312A-14	09160-06012-000	420A- 6
09285-10008-000	201A-17	09481-20102-000	312A-20	01550-0635A-000	420A-10
01500-0616A-000	201A-18	09128-06013-000	312A-21	02142-0610A-000	420A-18
08331-41309-000	201A-19	09160-04026-000	330A- 3	09352-12163-010	420A-24

PART NO.	FIG.NO.-REF.NO.	PART NO.	FIG.NO.-REF.NO.	PART NO.	FIG.NO.-REF.NO.
09367-06007-000	420A-28	09409-06341-000	481A-18	09103-08351-000	524A-16
09320-06027-000	423A- 5	01550-0612A-000	481A-19	08123-6301B-000	530A- 2
09409-06341-000	423A- 6	01550-0830B-000	481A-23	09285-25008-000	530A- 4
09409-08326-000	423A- 7	09111-06107-000	481B-10	08319-3112A-000	530A- 7
09136-06105-000	445A-14	09139-05503-000	481B-11	01550-0825A-000	535A-18
09148-04019-000	445A-15		481B-12	09161-10009-000	536A- 2
	445A-16	09139-05504-000	481B-13	01547-0610A-000	536A- 5
09148-05058-000	445A-17	09148-04019-000	481B-14	09263-17053-000	541A- 3
09180-06283-000	445A-18	01550-0830B-000	481B-15	09181-12010-000	541A- 6
09320-09016-000	445A-20	09409-06341-000	481B-18	08319-3112A-000	541A- 8
09409-06341-000	445A-21	01550-0612A-000	481B-19	09409-06341-000	541A-12
	445A-22	01550-0830B-000	481B-23	09263-17046-000	543A- 2
03541-0412A-000	445A-23	09139-06190-000	485A-20	09263-17053-000	543A- 3
	445A-24		485A-21	09263-17057-000	543A- 4
09136-06105-000	445B-14	09148-04019-000	485A-22	08319-3112A-000	543A- 7
09148-04019-000	445B-15		485A-23	09103-12097-000	543A- 9
	445B-16	09148-05058-000	485A-24	08319-3112A-000	543A-10
09148-05058-000	445B-17	09409-06341-000	485A-25	09263-17053-000	543A-13
09180-06283-000	445B-18		485A-26	09103-12077-000	543A-15
09320-09016-000	445B-20	01550-0612A-000	485A-27	09103-10049-000	543A-17
09409-06341-000	445B-21	01550-0612B-000	485A-28	08319-3110A-000	543A-18
	445B-22	03541-0412A-000	485A-29	09103-10213-000	543A-19
03541-0412A-000	445B-23	03541-0412B-000	485A-30	08123-6202B-000	550A- 6
	445B-24	03541-0416A-000	485A-31		550A- 9
09160-06027-000	460A- 6		485A-32	08123-6004B-000	550A-13
08316-1006A-000	460A- 7	03541-0416B-000	485A-33	08319-3114A-000	550A-16
08316-1005A-000	460A-11		485A-34	09105-08011-000	550A-18
09106-08185-000	462A- 4	03541-0516A-000	485A-35	08319-3108A-000	550A-19
09127-06025-000	462A- 5	09139-06190-000	485B-20	08319-3106A-000	550A-23
09250-05009-000	462A-12		485B-21	09168-10033-000	558A- 3
07130-0616A-000	462A-14	09148-04019-000	485B-22	09200-06037-000	558A-11
02112-0512A-000	462A-19		485B-23	01547-0616A-000	558A-12
01547-0625A-000	467A-14	09148-05058-000	485B-24	04111-2015A-000	558A-13
08319-2106A-000	467A-15	09409-06341-000	485B-25	09139-06057-000	558A-14
09111-06072-000	474A- 8		485B-26	08322-0106A-000	558A-15
09111-06102-000	474A- 9	01550-0612A-000	485B-27	02112-74125-000	558A-25
09148-04019-000	474A-10	01550-0612B-000	485B-28		
09409-06341-000	474A-11	03541-0412A-000	485B-29		
03541-0412B-000	474A-12	03541-0412B-000	485B-30		
03541-0616A-000	474A-13	03541-0416A-000	485B-31		
09229-03019-000	474A-15		485B-32		
09148-05080-000	474A-18	03541-0416B-000	485B-33		
09409-06341-000	474A-19		485B-34		
03541-0512A-000	474A-20	03541-0516A-000	485B-35		
09111-06107-000	481A-10	02142-0610A-000	505A- 9		
09139-05503-000	481A-11	09160-06012-000	505A-14		
	481A-12	08316-1006A-000	505A-15		
09139-05504-000	481A-13	01550-0612A-000	505A-18		
09148-04019-000	481A-14	06111-06004-000	524A-12		
09148-05058-000	481A-15		524A-13		