



SUZUKI PARTS CATALOGUE

UB125L

BURGMAN
STREET 125 EX

PREFACE

When it becomes necessary to replace parts on SUZUKI MOTORCYCLES, always use SUZUKI GENUINE PARTS which have passed a strict inspection which guarantees quality and performance.

This parts catalogue covers the list of all service parts for SUZUKI UB125LNMM4.

INSTRUCTIONS FOR QUOTING THE CATALOGUE

1. DIMENSIONS

Dimensions of the parts in this catalogue are indicated in unit millimeters.

2. ABBREVIATIONS

Abbreviations used in this catalogue are as follows:

AR	: As required	NT	: Number of teeth
ASSY	: Assembly	OPT	: Optional
E. NO.	: Engine number	OS	: Over size
F. NO.	: Frame number	STD	: Standard
D	: Diameter of material	T	: Thickness
ID	: Inside diameter	US	: Under size
OD	: Outside diameter	W	: Width
L	: Length		
LH	: Left hand side		
RH	: Right hand side		
~100045	: Up to F. NO. A100-100045		
100046~	: From F. NO. A100-100046		
12 x 34 x 5.6 Figures in the description column		
	show the dimensions of parts.		
ID OD T	(or W, L)		

→12345-56781 (Parts No.) : indicates that the parts number was changed to 12345-56781 and the new parts are interchangeable with the former ones but the former ones are not interchangeable with new ones.

←12345-56781 (Parts No.) : indicates that the former and new parts are interchangeable with each other and both are usable.

3. INNER PARTS OF ASSEMBLY

Part name with a dot (.) in front as shown in the description column indicates the component of the assembly also available individually.

4. MODIFICATION NOTICE

A parts bulletin will be sent to you on all occasions when changes in parts occur, including interchangeable modifications between new parts and old ones.

5. NOTE

5-1. There are some different parts from those of production models among spare parts for the administrative reasons and common use of them with other models.

5-2. In respect of rubber hoses and vinyl tubes, please be sure to use them by cutting off according to the length mentioned on parts catalogue or what is actually required on the vehicle.

5-3. Note that the drawings on the illustration page are for ready reference of spare parts number, not to be used as an assembly manual.
When assembling, use "SUZUKI SERVICE MANUAL".

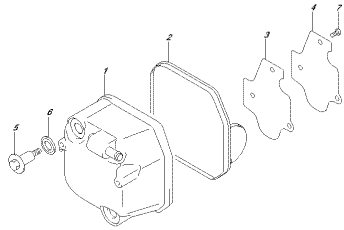
6. SPECIFICATION CODE

This catalogue contains the parts for the model designed for the following spec. ;
spec. code : P08.

7. SERIAL FRAME NUMBER

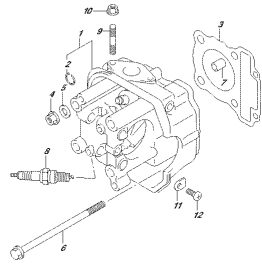
UB125LNMM4 :

FIG.102A



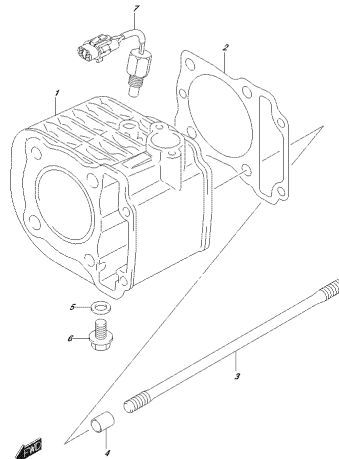
48102040.PSE.102M
CYLINDER HEAD COVER

FIG.103A



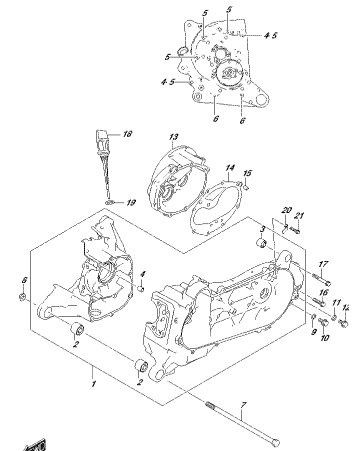
48103040.PSE.103M
CYLINDER HEAD

FIG.107A



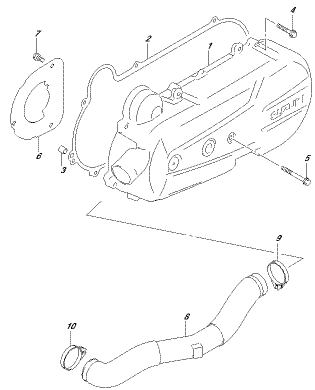
48107040.PSE.107M
CYLINDER

FIG.108A



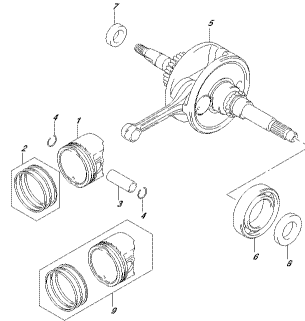
48108040.PSE.108M
CRANKCASE

FIG.112A



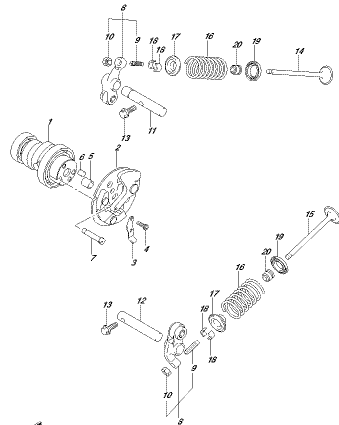
48102040.PSE.112M
CRANKCASE COVER

FIG.120A



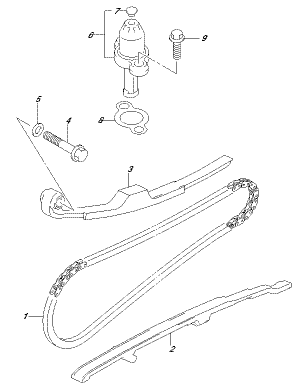
48102040.PSE.120M
CRANKSHAFT

FIG.126A



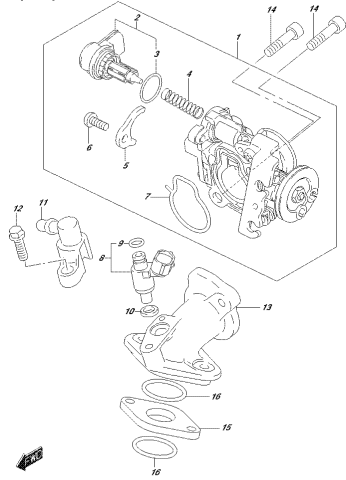
48102040.PSE.126M
CRANKSHAFT AXLE

FIG.127A



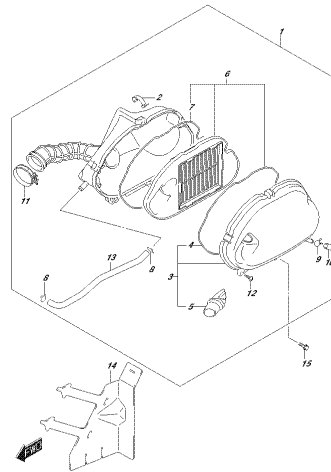
48102040.PSE.127M
CRANK SHAFT

FIG.140A



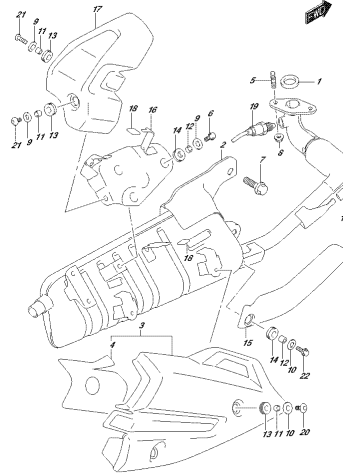
4/81026/AC_PRES_140A
FRAGTUELE/2021

FIG.155A



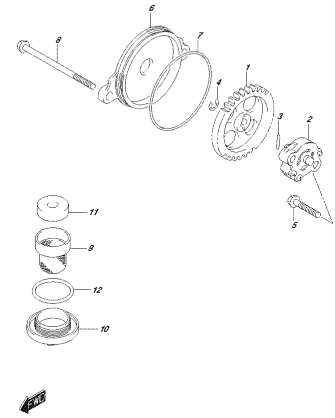
4/81026/AC_PRES_155A
AIR/CLEARED

FIG.163A



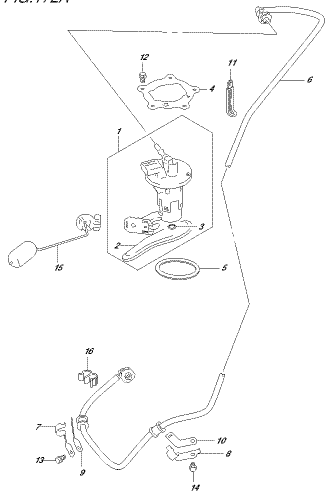
4/81026/AC_PRES_163A
BLUPFLER

FIG.170A



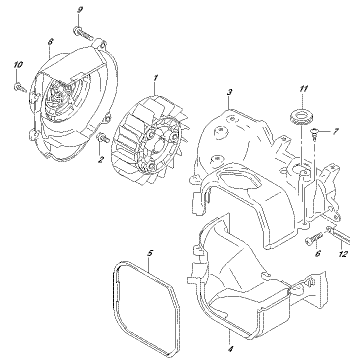
4/81026/AC_PRES_170A
OIL/SHARP

FIG.172A



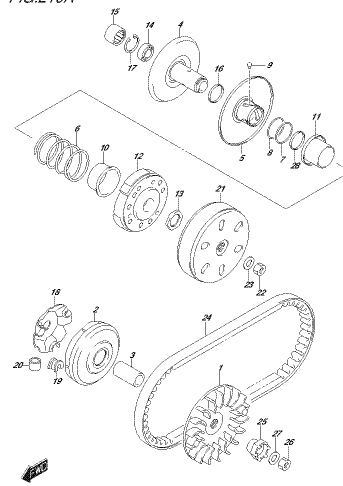
4/81026/AC_PRES_172A
FUEL PUMP

FIG.181A



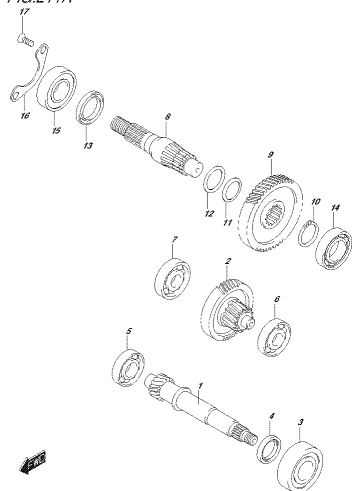
4/81026/AC_PRES_181A
COCKING GAY

FIG.210A



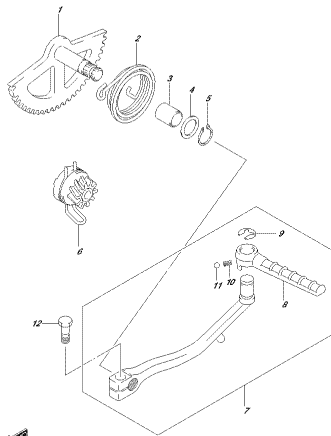
4/81026/AC_PRES_210A
TRANSMISSION/17

FIG.211A



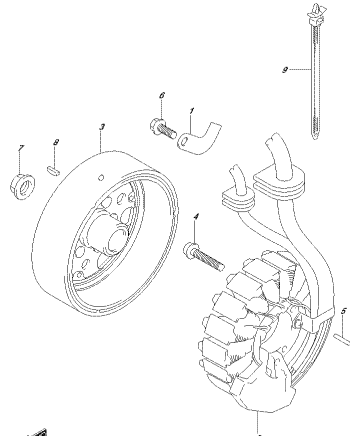
4/81026/AC_PRES_211A
TRANSMISSION/17

FIG.240A



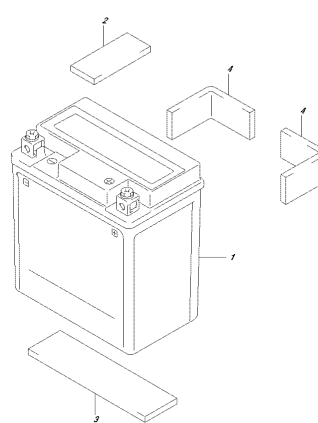
1/81/02/BLK_PSE_240A
REAR WHEEL ASSEMBLY

FIG.304A



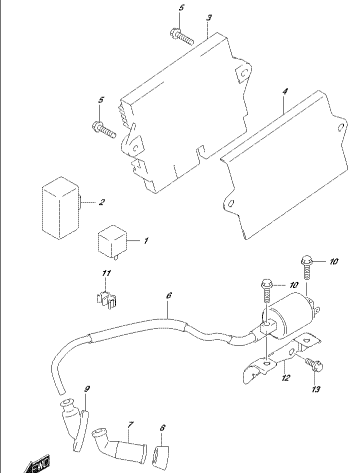
1/81/02/BLK_PSE_304A
FRONT WHEEL ASSEMBLY

FIG.310A



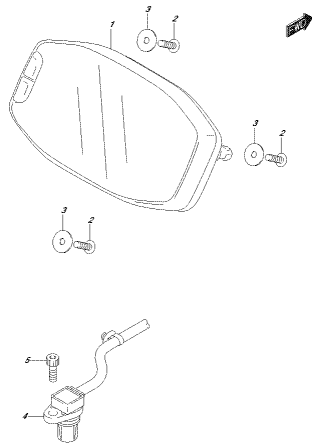
1/81/02/BLK_PSE_310A
BATTERY

FIG.312A



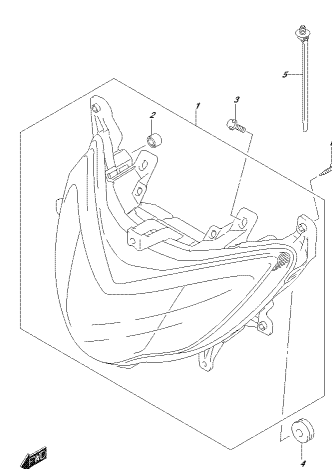
1/81/02/BLK_PSE_312A
ELECTRICAL

FIG.330A



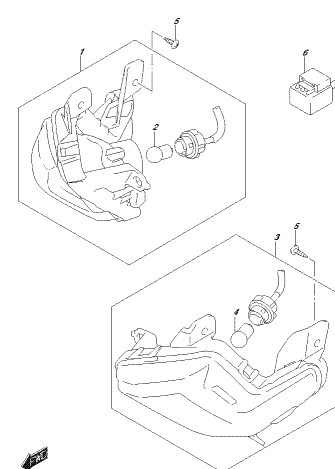
1/81/02/BLK_PSE_330A
SPEEDOMETER

FIG.333A



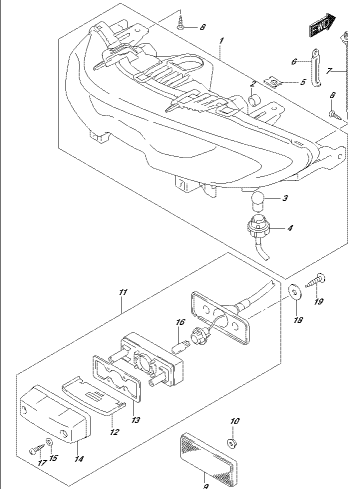
1/81/02/BLK_PSE_333A
HEADLAMP

FIG.335A



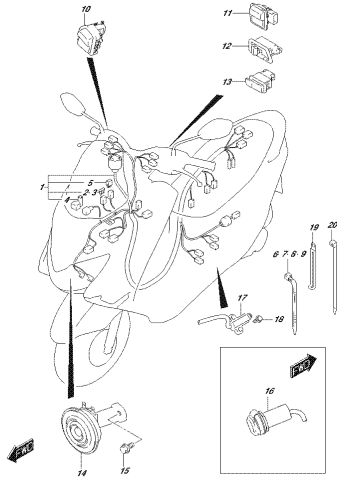
1/81/02/BLK_PSE_335A
FRONT FENDER/LAMP

FIG.339A



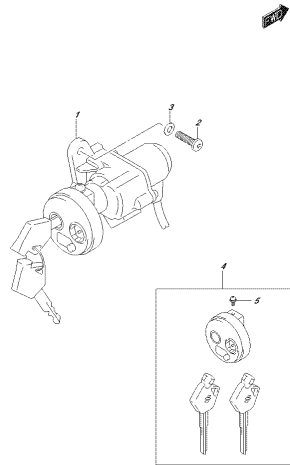
1/81/02/BLK_PSE_339A
REAR FENDER/LAMP

FIG.350A



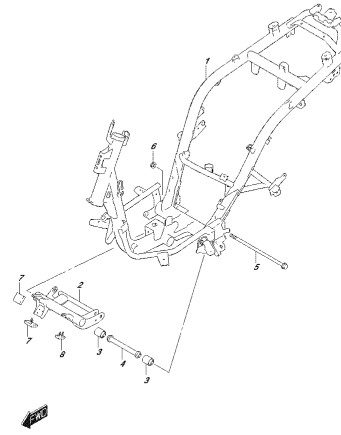
418126LAK_PRL_350A
ENGINE/FRONT SET

FIG.352A



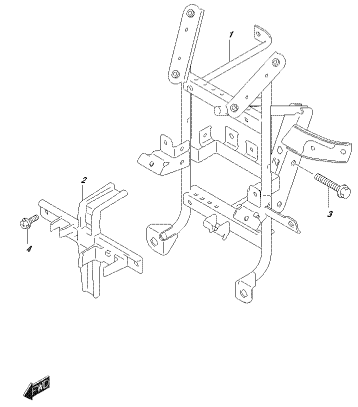
418126LAK_PRL_350A
LOCK SET

FIG.401A



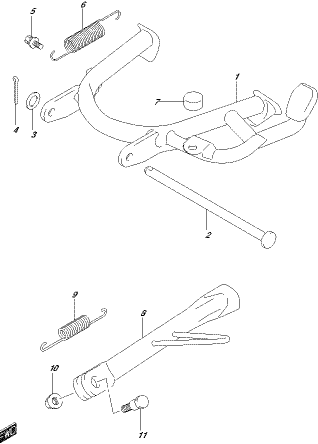
418126LAK_PRL_401A
FRAME

FIG.405A



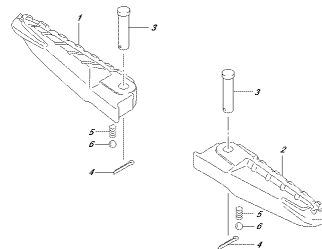
418126LAK_PRL_405A
SEAT/REAR SET

FIG.407A



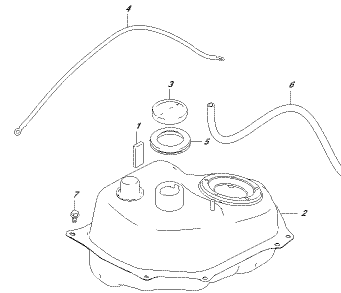
418126LAK_PRL_407A
STEERING

FIG.415A



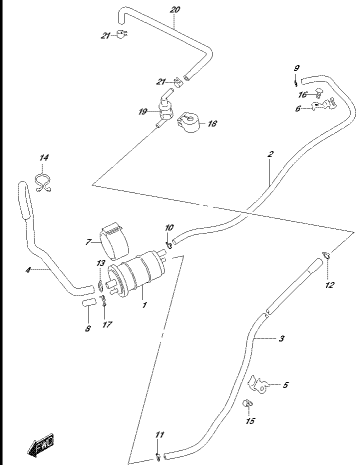
418126LAK_PRL_415A
FOOTREST

FIG.420A



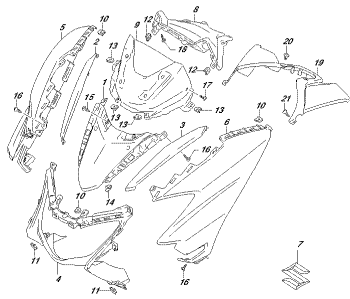
418126LAK_PRL_420A
FUEL TANK

FIG.427A



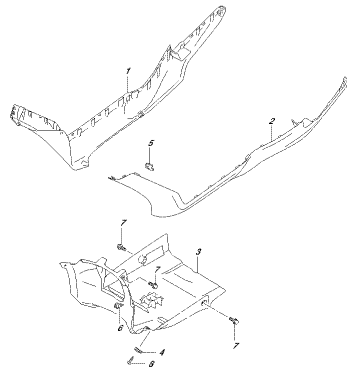
418126LAK_PRL_427A
EVAPORATOR SYSTEM

FIG.435A



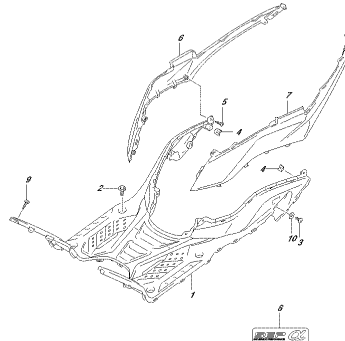
LIBI&L&C, P&E, 435A
FRONT LEG SHIELD

FIG.438A



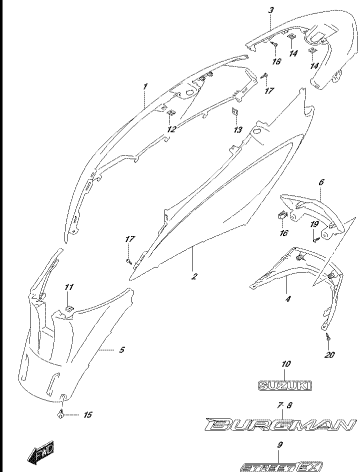
LIBI&L&C, P&E, 438A
REAR LEG SHIELD

FIG.440A



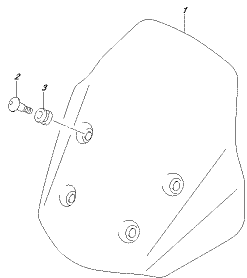
LIBI&L&C, P&E, 440A
REAR LEG SHIELD

FIG.445A



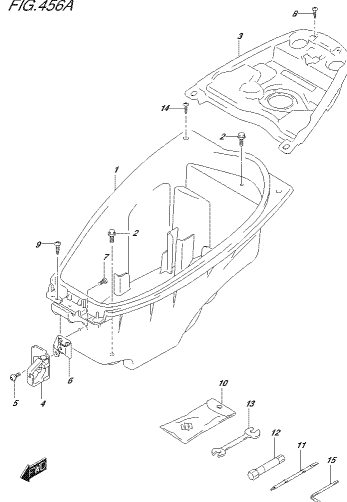
LIBI&L&C, P&E, 445A
FRAME COVERS

FIG.454A



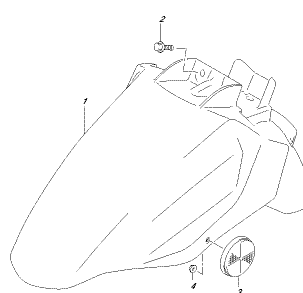
LIBI&L&C, P&E, 454A
WINGCASE

FIG.456A



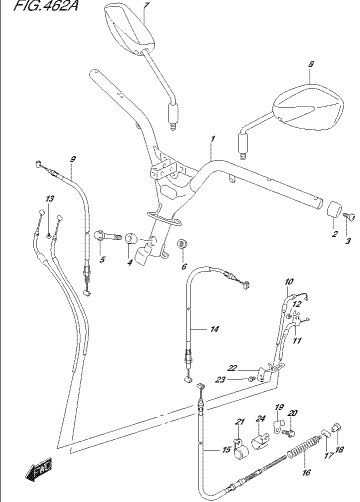
LIBI&L&C, P&E, 456A
HELMET BOX

FIG.460A



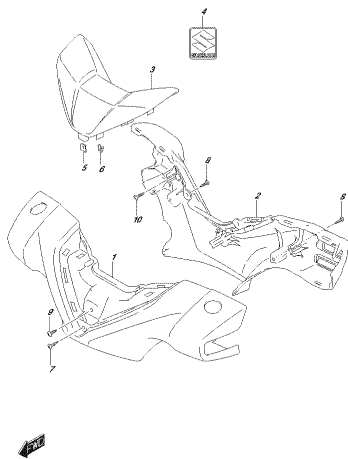
LIBI&L&C, P&E, 460A
FRONT FENDER

FIG.462A



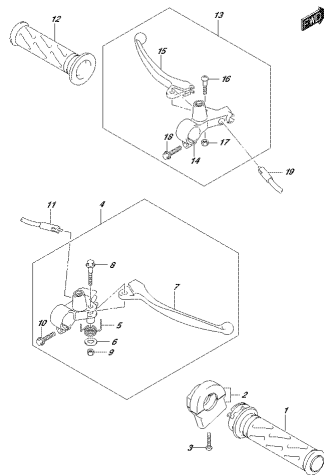
LIBI&L&C, P&E, 462A
HANDLEBARS

FIG.463A



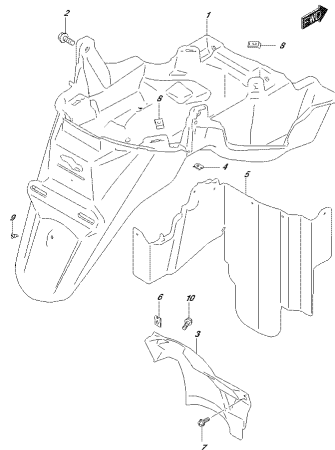
431126LAK.PRS.463A
HANDLE COVER

FIG.467A



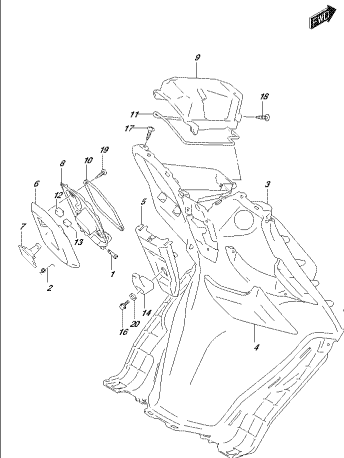
431126LAK.PRS.467A
HANDLE LEVER

FIG.474A



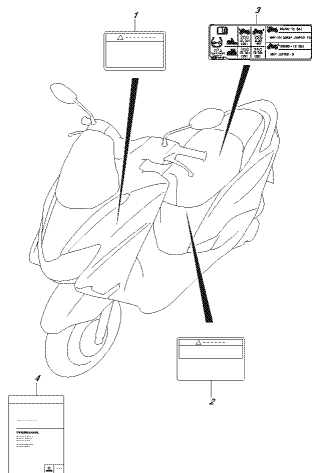
431126LAK.PRS.474A
REAR FENDER

FIG.489A



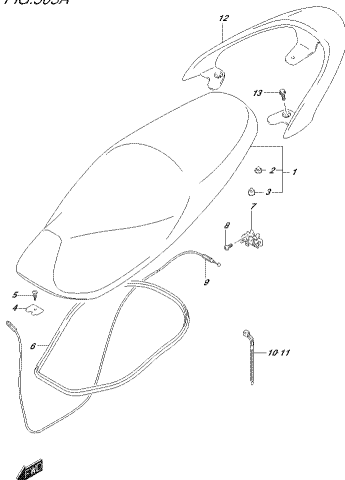
431126LAK.PRS.489A
FRONT SKIRT

FIG.496A



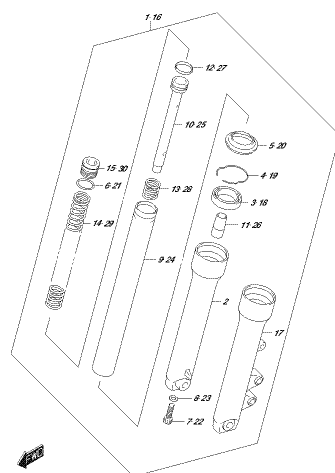
431126LAK.PRS.496A
SEAT

FIG.505A



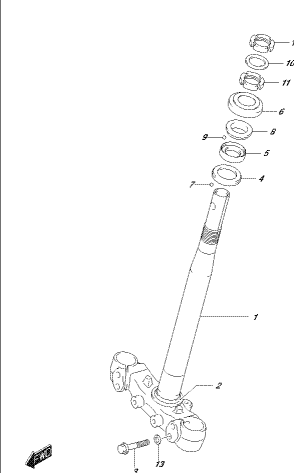
431126LAK.PRS.505A
SEAT

FIG.521A



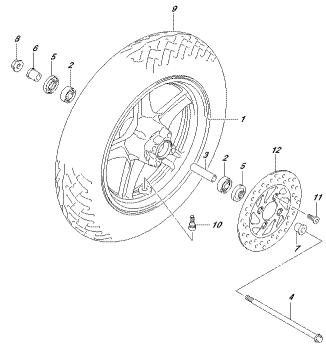
431126LAK.PRS.521A
FRONT FORK DAMPER

FIG.524A



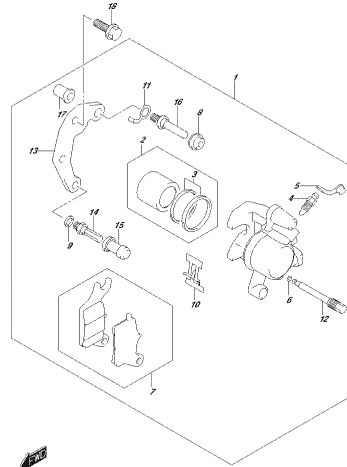
431126LAK.PRS.524A
STEERING STEM

FIG.530A



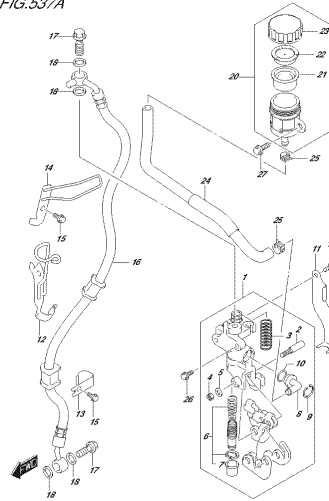
4/17/15/LM_PRL_0204
FRONT WHEEL

FIG.535A



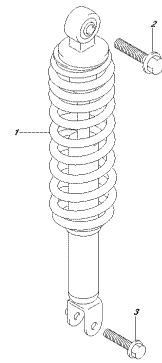
4/17/15/LM_PRL_0204
FRONT LOWER

FIG.537A



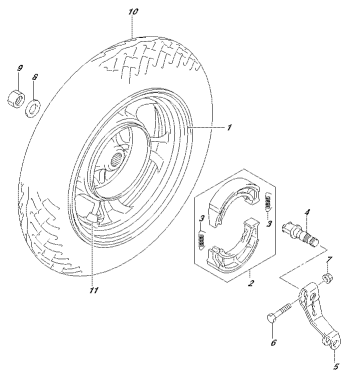
4/17/15/LM_PRL_0204
FRONT MASTER CYLINDER

FIG.545A



4/17/15/LM_PRL_0204
REAR SHOCK ABSORBER

FIG.550A



4/17/15/LM_PRL_0204
REAR WHEEL

FIG.102A

FIG.102A (1-B-2) CYLINDER HEAD COVER

REF NO.	PART NO.	DESCRIPTION	Q'TY	REMARKS
1	11170-02L10-000	COVER, CYLINDER HEAD	1	
2	11173-02L00-000	GASKET, CYL HEAD COVER	1	
3	11176-02L00-000	PLATE, BREATHER	1	
4	11177-08K00-000	GASKET, BREATHER PLATE	1	
5	09119-06138-000	BOLT (L:21.7)	2	
6-1	11191-27E00-000	WASHER, CYL HEAD COVER (10.6X25.5X1.6)	2	UCHIYAMA
6-2	11191-27E70-000	WASHER, CYL HEAD COVER (10.6X25.5X1.6)	2	NOK
7	02112-0510A-000	SCREW	3	

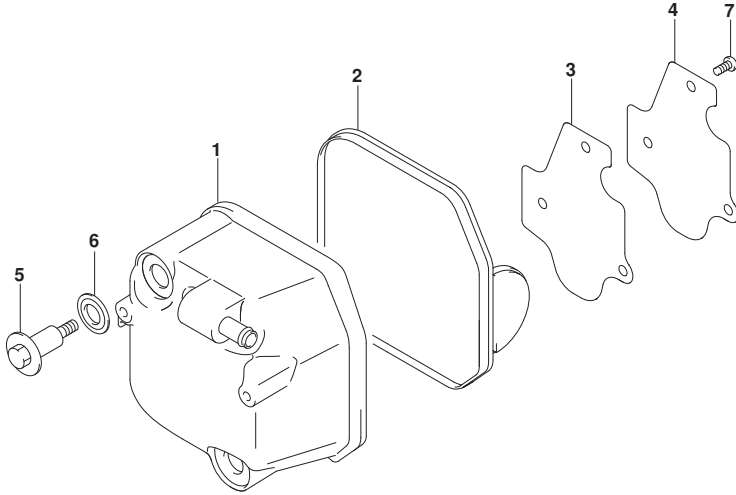


FIG.103A

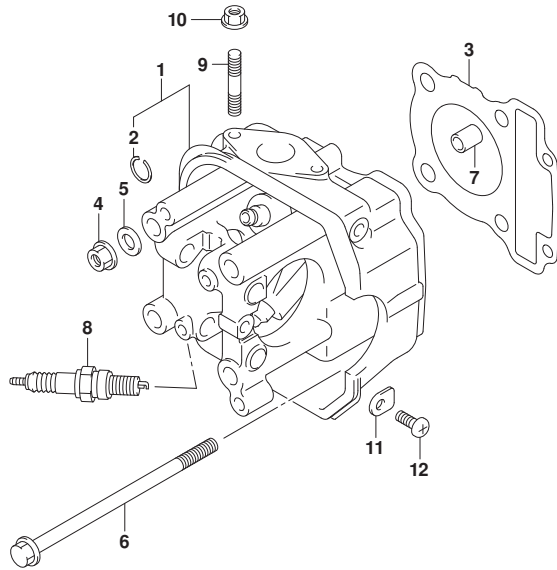


FIG.103A (1-B-3) CYLINDER HEAD

REF NO.	PART NO.	DESCRIPTION	Q'TY	REMARKS
1	11110-02L10-000	HEAD, CYLINDER	1	
2	09381-10004-000	.RING (10X85)	2	
3	11141-35J00-000	GASKET, CYLINDER HEAD	1	
4	08316-1008A-000	NUT	4	
5	09160-08164-000	WASHER (8.5X18X2.3)	4	
6	09103-06501-000	BOLT (6X100)	2	
7	09206-10016-000	PIN (8.2X10X13)	2	
8	09482-00645-000	SPARK PLUG (MR7E-9)	1	NGK
9	01421-0625A-000	STUD BOLT	2	
10	08316-1006A-000	NUT	2	
11	24741-20A10-000	RETAINER, SHIFT CAM RH BEARING	1	
12	02112-0612A-000	SCREW	1	



FIG.107A

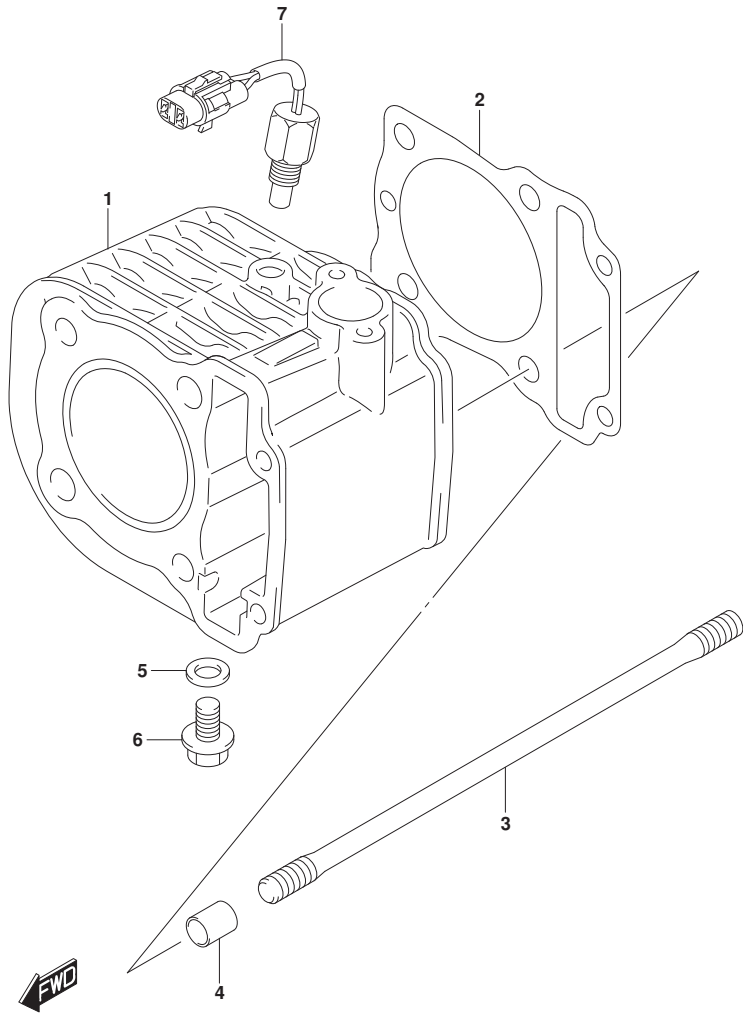


FIG.107A (1-B-4) CYLINDER

REF NO.	PART NO.	DESCRIPTION	Q'TY	REMARKS
1	11210-02L20-0F0	CYLINDER	1	
2	11241-08K00-000	GASKET, CYLINDER	1	
3	09108-08302-000	STUD BOLT (L:192)	4	
4	09206-10016-000	PIN (8.2X10X13)	2	
5	09168-08008-000	GASKET (8.2X14X1)	1	
6	01550-0812A-000	BOLT	1	
7	13640-02L00-000	SENSOR, ENGINE TEMP	1	

FIG.108A

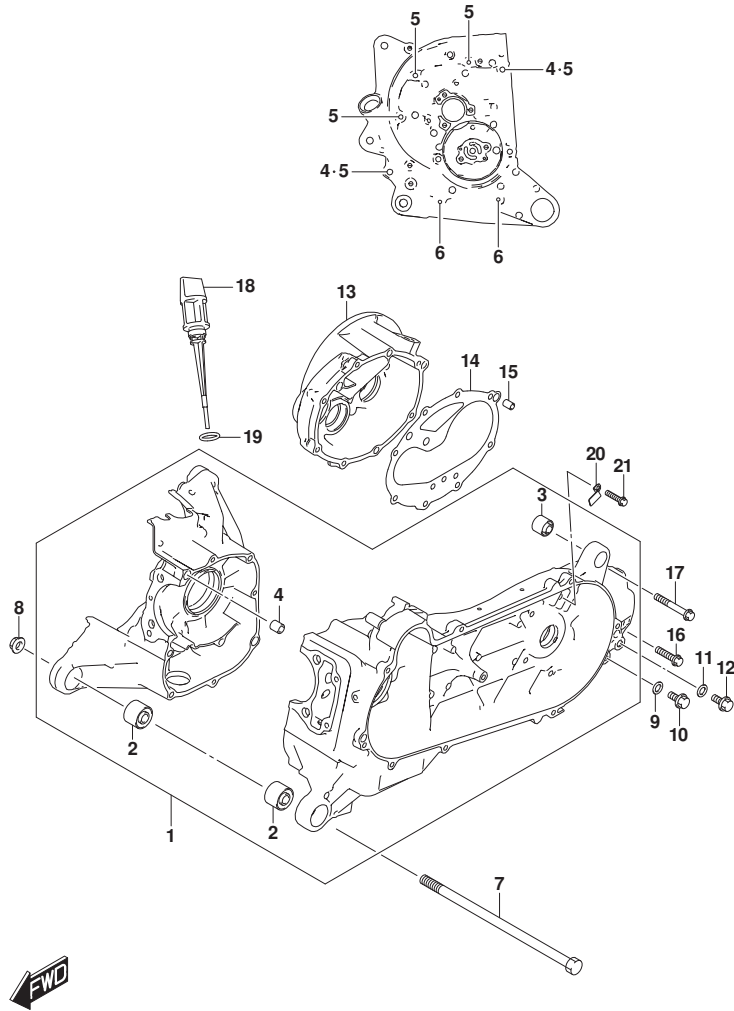


FIG.108A (1-B-5) CRANKCASE

REF NO.	PART NO.	DESCRIPTION	Q'TY	REMARKS
1	11300-27890-000	CRANKCASE SET	1	
2	11315-09J01-000	.BUSH, ENGINE MOUNTING	2	
3	11316-39J00-000	.BUSH, REAR SHOCK ABS	1	
4	09206-10014-000	.PIN (6.4X10X20)	2	
5	01547-0655A-000	.BOLT	5	
6	01547-0695A-000	.BOLT	2	
7	11611-39J00-000	BOLT (L:240)	1	
8	08316-1010A-000	NUT	1	
9	09168-08008-000	GASKET (8.2X14X1)	1	
10	01550-0812A-000	BOLT	1	OIL DRAIN
11	09168-08008-000	GASKET (8.2X14X1)	1	
12	01550-0812A-000	BOLT	1	
13	11430-27810-000	COVER SET, GEAR BOX	1	
14	11484-27L00-000	GASKET, GEAR BOX COVER	1	
15	09206-08008-000	PIN (6.3X8X12)	2	
16	01547-0630A-000	BOLT	4	
17	01547-0645A-000	BOLT	2	
18	11971-09J10-000	GAUGE, OIL LEVEL	1	
19	09280-17003-000	O RING (D:3.1,ID:16.8)	1	
20	11323-27L00-000	PLATE, CRANKCASE	1	
21	01547-0630A-000	BOLT	2	

FIG.112A

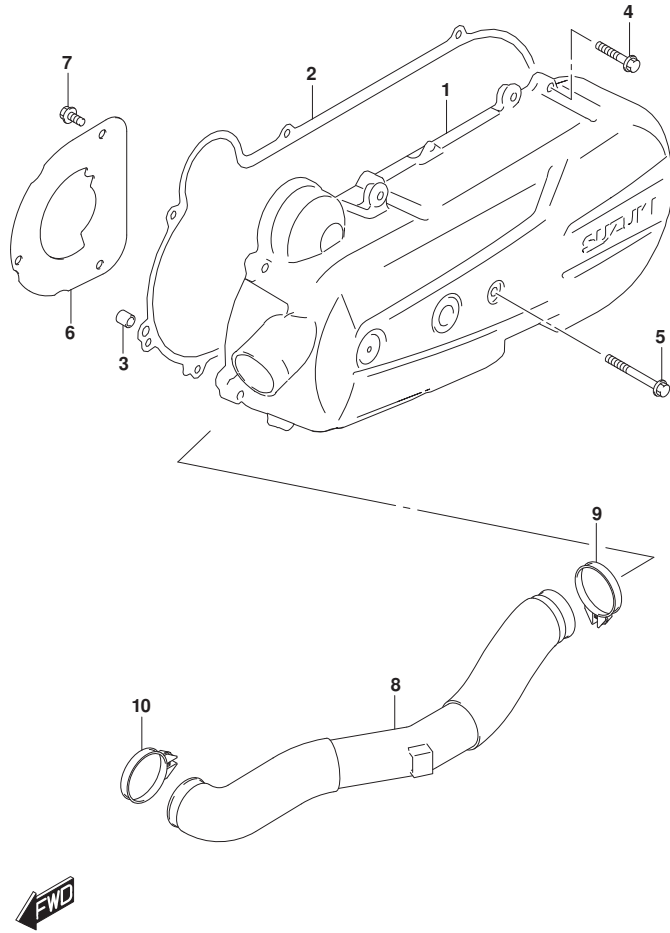


FIG.112A (1-B-6) CRANKCASE COVER

REF NO.	PART NO.	DESCRIPTION	Q'TY	REMARKS
1	11340-27L00-000	COVER, CLUTCH	1	
2	11482-27L00-000	GASKET, CLUTCH COVER	1	
3	09206-08008-000	PIN (6.3X8X12)	2	
4	01547-0625A-000	BOLT	8	
5	01547-0690A-000	BOLT	1	
6	11346-08K00-000	PLATE, CLUTCH COVER AIR INTAKE	1	
7	01547-0612A-000	BOLT	3	
8	11383-39J10-000	DUCT, BELT COOLING INLET	1	
9	09402-46209-000	CLAMP	1	
10	09402-42001-000	CLAMP	1	

FIG.120A

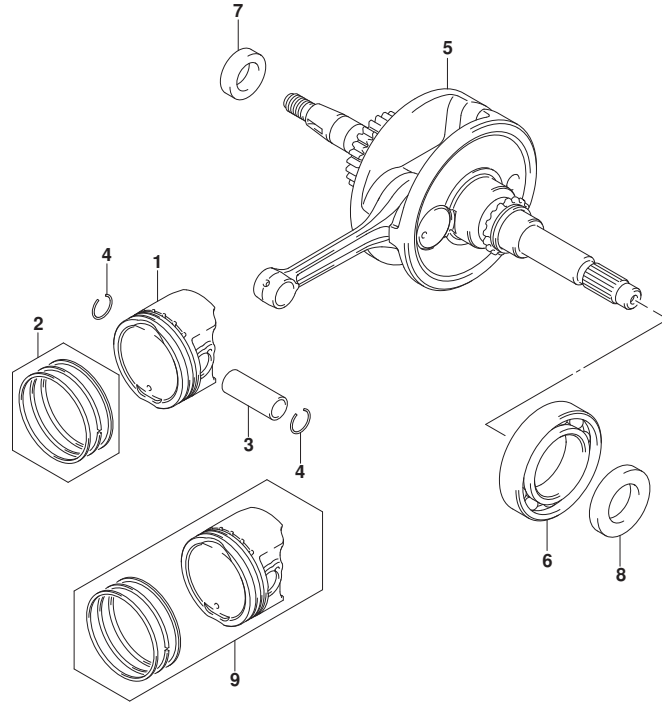


FIG.120A (1-B-7) CRANKSHAFT

REF NO.	PART NO.	DESCRIPTION	Q'TY	REMARKS
1-1	12111-08K00-0F0	PISTON	1	
1-2	12111-08K10-0F0	PISTON	1	
2	12140-08K50-000	RING SET, PISTON	1	
3	12151-43J00-000	PIN, PISTON	1	
4	09381-12001-000	RING	2	
5	12200-27L00-000	CRANKSHAFT ASSY	1	
6	09262-35107-000	BEARING	1	
7	09283-20074-000	OIL SEAL (20X28X5)	1	
8	12227-08K00-000	OIL SEAL, CRANKSHAFT LH	1	
9	12100-08K50-050	PISTON SET (OS:0.5)	1	OPT

FIG.126A

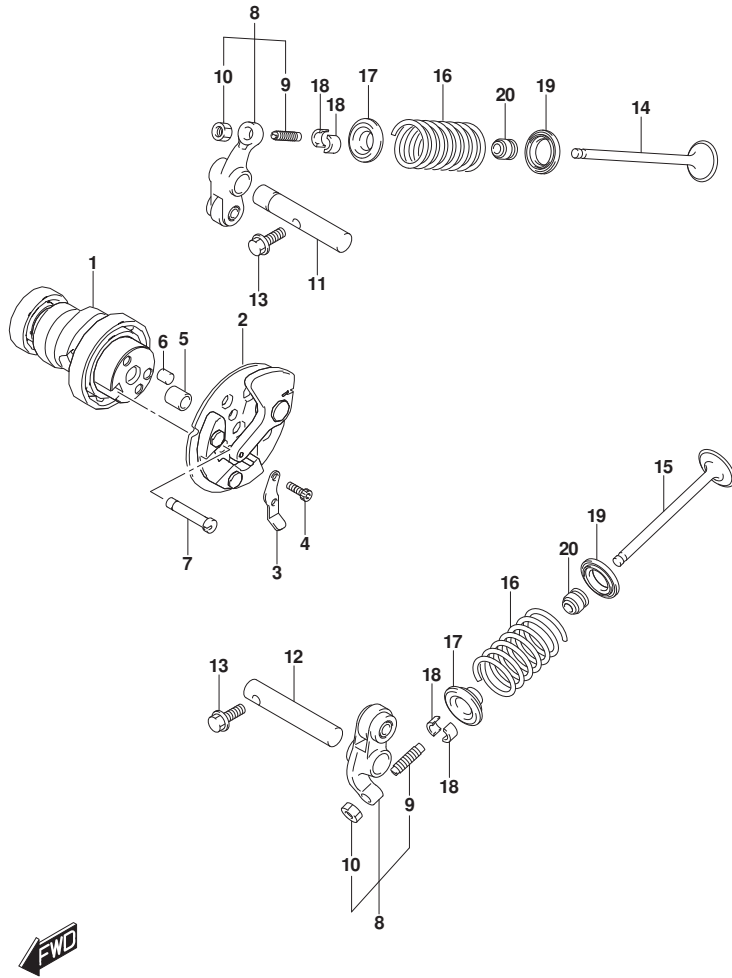


FIG.126A (1-B-8) CAMSHAFT/VALVE

REF NO.	PART NO.	DESCRIPTION	Q'TY	REMARKS
1	12710-27L00-000	CAMSHAFT	1	
2	12740-27L00-000	SPROCKET, CAMSHAFT (NT:34)	1	
3	12714-34J10-000	WASHER, SPROCKET (NT:26)	1	
4	12742-27L00-000	BOLT	2	
5	09206-08008-000	PIN (6.3X8X12)	1	
6	09261-05005-000	PIN (5X8)	1	
7	12951-27L00-000	CAM, DECOMPRESSION	1	
8	12840-43J10-000	ARM ASSY, VALVE ROCKER	2	
9	12842-34J00-000	.SCREW, TAPPET ADJUSTING (NT:24)	2	
10	12843-27A70-000	.NUT, TAPPET ADJUSTING	2	
11	12861-35J00-000	SHAFT, VALVE ROCKER ARM INTAKE	1	
12	12871-35J10-000	SHAFT, VALVE ROCKER ARM EXHAUST	1	
13	01550-0512A-000	BOLT	2	
14	12911-43J00-000	VALVE, INTAKE	1	
15	12912-02L00-000	VALVE, EXHAUST	1	
16	12921-43J00-000	SPRING, VALVE	2	
17	12931-09G20-000	RETAINER, VALVE SPRING	2	
18	12932-09G10-000	COTTER VALVE (NT:23)	4	
19	12933-09G00-000	SEAT, VALVE SPRING	2	
20	09289-05019-000	OIL SEAL (4X10X8)	2	

FIG.127A

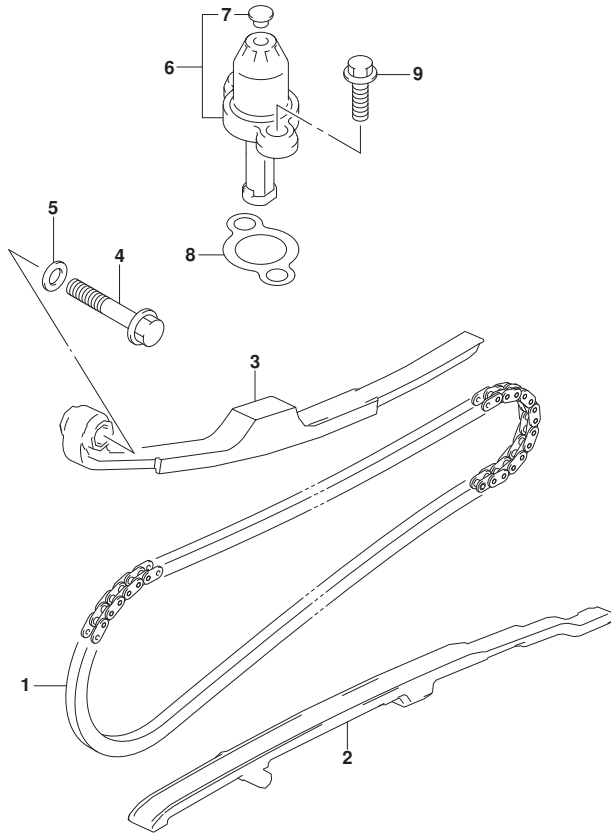


FIG.127A (1-B-9) CAM CHAIN

REF NO.	PART NO.	DESCRIPTION	Q'TY	REMARKS
1	12760-20G30-000	CHAIN, CAMSHAFT DRIVE	1	
2	12771-27L00-000	GUIDE, CAM CHAIN	1	
3	12811-27L00-000	TENSIONER, CAM CHAIN	1	
4	09103-06247-000	BOLT (6X32)	1	
5	09168-06004-000	GASKET (6.2X11X1.2)	1	
6	12830-42K00-000	ADJUSTER ASSY, TENSIONER	1	
7	12836-42K00-000	PLUG, ADJUSTER END	1	
8	12837-39J20-000	GASKET, TENSIONER ADJUSTER (NA)	1	
9	01547-0620A-000	BOLT	2	



FIG.140A

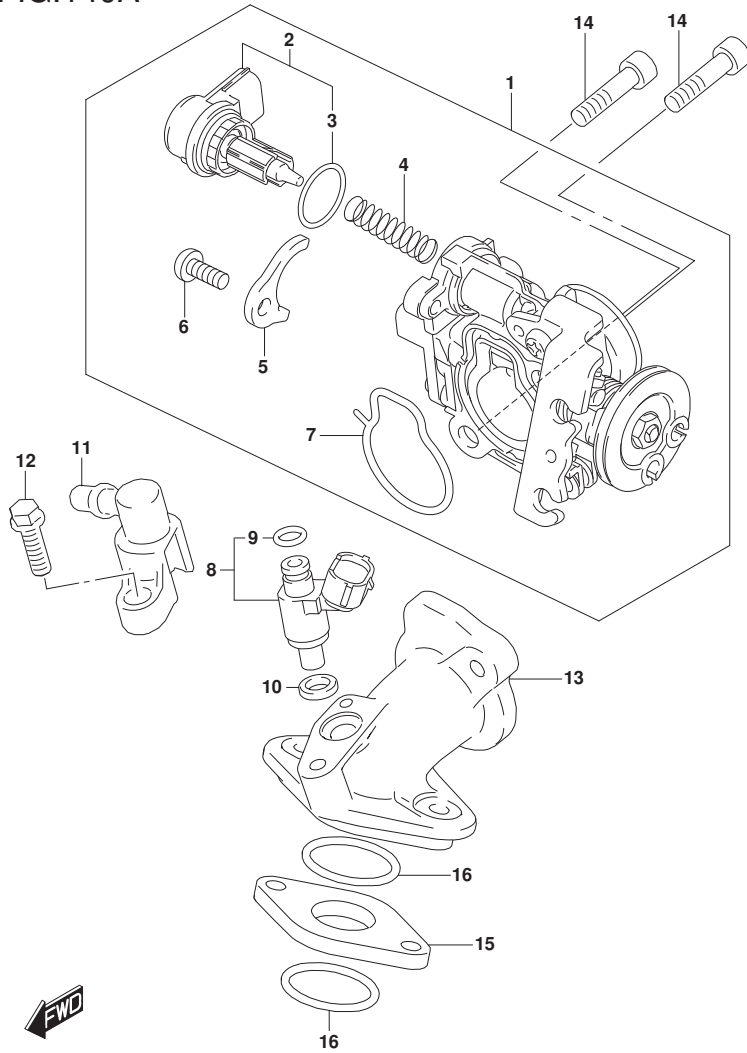


FIG.140A (1-B-10) THROTTLE BODY

REF NO.	PART NO.	DESCRIPTION	Q'TY	REMARKS
1	13400-02L10-000	BODY ASSY, THROTTLE	1	
2	18117-10K00-000	.STEPPING MOTOR	1	
3	13438-09JA0-000	..O RING	1	
4	13417-02L00-000	.SPRING	1	
5	13421-02L00-000	.PLATE	1	
6	13602-02L00-000	.SCREW	2	
7	13295-02L00-000	.O RING	2	
8	15710-02L00-000	INJECTOR ASSY, FUEL	1	
9	15716-42J00-000	.O RING	1	
10	15722-02L00-000	SEAL	1	
11	15830-02L00-000	JOINT, FUEL HOSE	1	
12	01547-0620A-000	BOLT	1	
13	13111-02L00-000	PIPE, INTAKE	1	
14	07130-0625A-000	BOLT	2	
15	13128-08K01-000	INSULATOR, INTAKE PIPE	1	
16	09280-26017-000	O RING (D:2.4, ID:25.7)	2	

FIG.155A

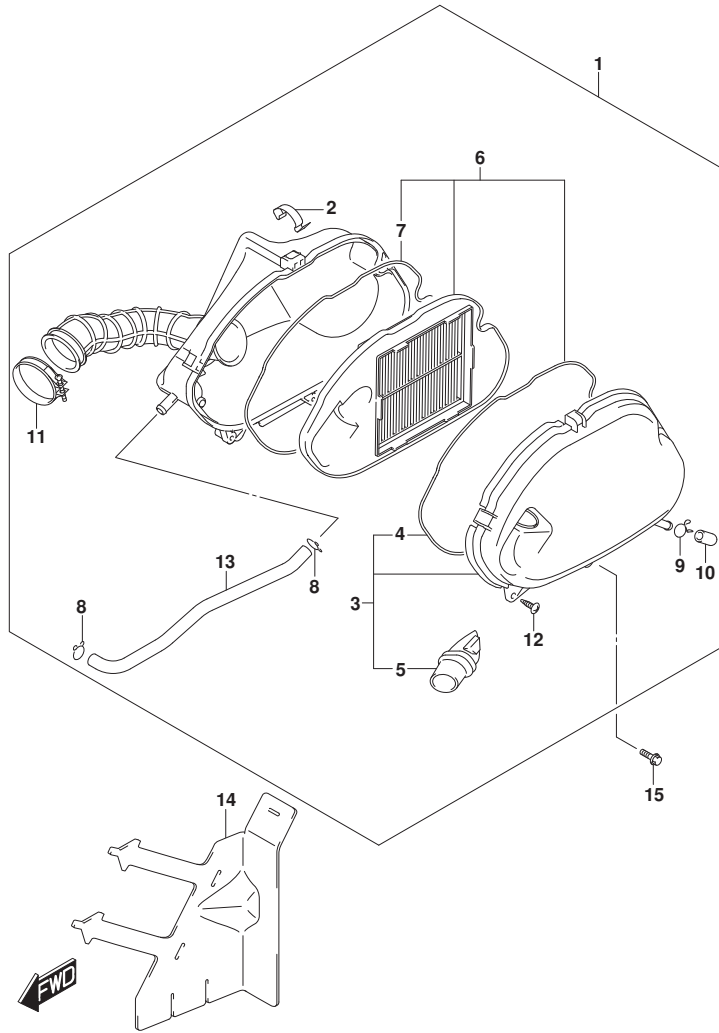


FIG.155A (1-B-11) AIR CLEANER

REF NO.	PART NO.	DESCRIPTION	Q'TY	REMARKS
1	13700-27L10-000	CLEANER ASSY, AIR	1	
2	13755-54G00-000	.CLIP, AIR CLEANER	2	
3	13740-02L20-000	.CAP, AIR CLEANER	1	
4	13746-08K00-000	.GASKET	1	
5	13891-08K00-000	.TUBE, INLET	1	
6	13700-02810-000	AIR FILTER KIT	1	
7	13746-08K00-000	.GASKET	1	
8	09401-12418-000	.CLIP	2	
9	13825-08K00-000	.CLIP	1	
10	13871-41H00-000	.PLUG, DRAIN	1	
11	13856-02L10-000	.CLAMP	1	
12	03541-0525A-000	.SCREW	4	
13	13850-27L00-000	.TUBE, BRETHET	1	
14	13738-44K00-000	GUARD, DUST INTAKE	1	
15	09116-06103-000	BOLT (6X30)	2	

FIG.163A

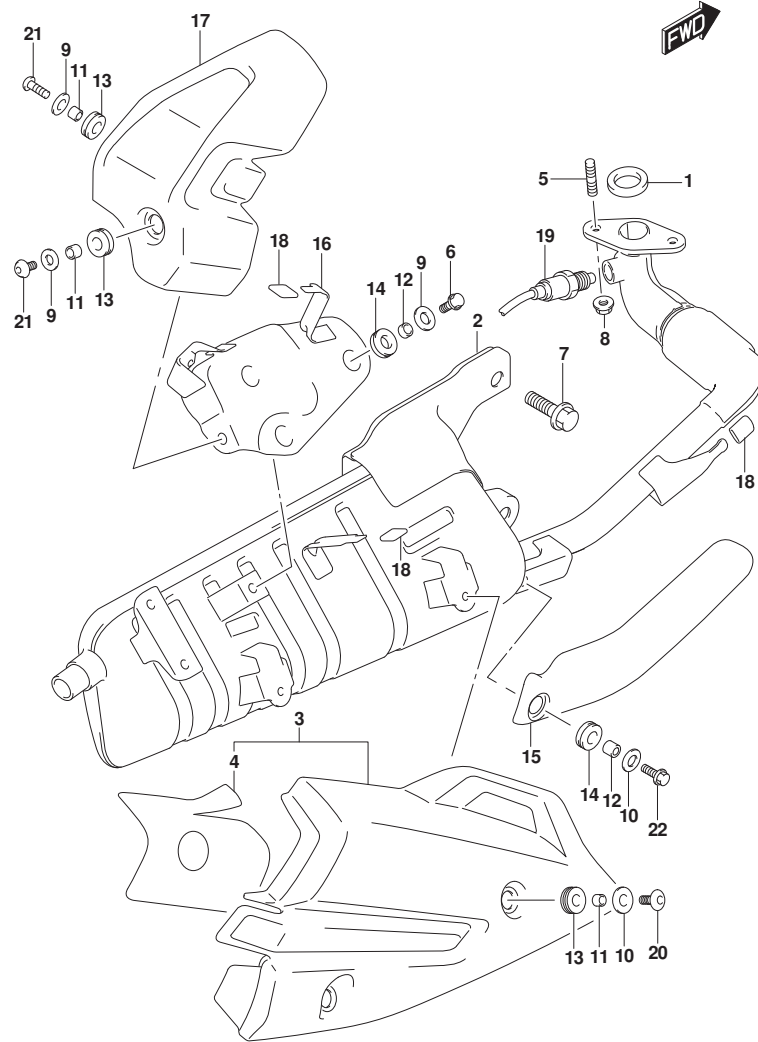


FIG.163A (1-B-12) MUFFLER

REF NO.	PART NO.	DESCRIPTION	Q'TY	REMARKS
1	14181-30A30-000	GASKET, EXH PIPE	1	
2	14310-27L30-000	BODY, MUFFLER	1	
3	14780-44K10-000	COVER, MUFFLER	1	
4	14782-44K00-000	.SHIELD, MUF COVER	1	
5	01421-0616A-000	STUD BOLT	2	
6	01550-0616A-000	BOLT	3	
7	01550-1040A-000	BOLT	2	
8	08316-1006A-000	NUT	2	
9	09160-06028-000	WASHER (6.5X18X1.0)	5	
10	09160-06151-000	WASHER (6.5X18X1)	3	
11	09180-06256-000	SPACER (6.5X9X5.7)	4	
12	09180-06343-000	SPACER	4	
13	09320-08L02-000	CUSHION (8.4X18X6)	4	
14	09320-08082-000	CUSHION	4	
15	14180-44K10-000	COVER, EXH PIPE	1	
16	14760-44K01-000	STAY, MUF RR COV	1	
17	14791-44K20-000	COVER, MUF TAIL	1	
18	14795-10FA0-000	GROMMET	3	
19	18213-12K10-000	SENSOR, OXYGEN	1	
20	09139-06217-000	SCREW (6X16)	2	
21	09139-06198-000	SCREW (6X16)	2	
22	01550-0616B-000	BOLT	1	

FIG.170A

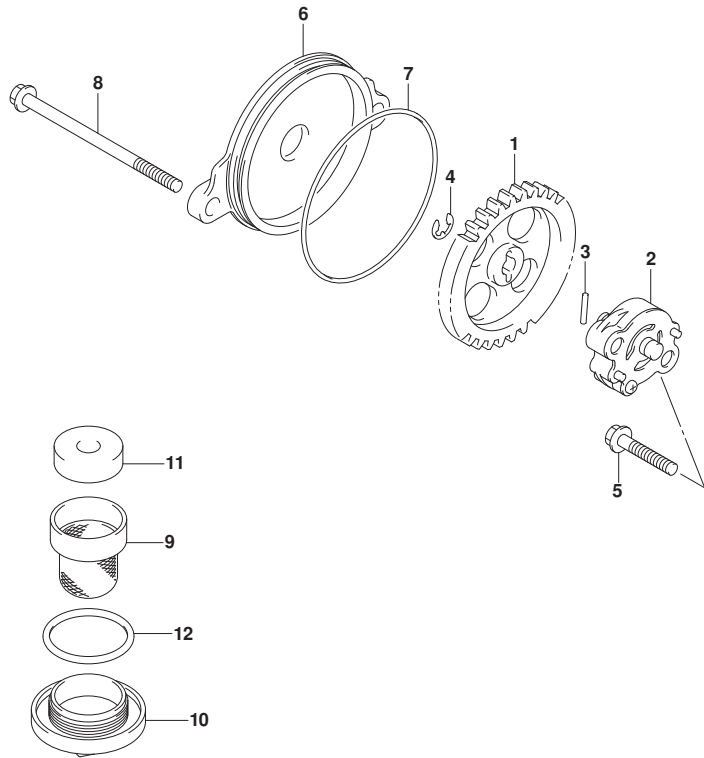


FIG.170A (1-B-13) OIL PUMP

REF NO.	PART NO.	DESCRIPTION	QTY	REMARKS
1	16331-08K00-000	GEAR, OIL PUMP DRIVEN (NT:43)	1	
2	16400-08K00-000	PUMP ASSY, ENG OIL	1	
3	16421-20E00-000	PIN	1	
4	08332-11059-000	E-RING	1	
5	01547-0625A-000	BOLT	2	
6	16422-09J00-000	COVER, OIL PUMP	1	
7	16423-09J00-000	O RING	1	
8	01547-0680A-000	BOLT	2	
9	16520-09J00-000	STRAINER, ENG OIL	1	
10	16523-09J00-000	CAP, OIL STRAINER	1	
11	16526-09J00-000	PLUG, OIL STRAINER	1	
12	16525-09J00-000	O RING	1	

FIG.172A

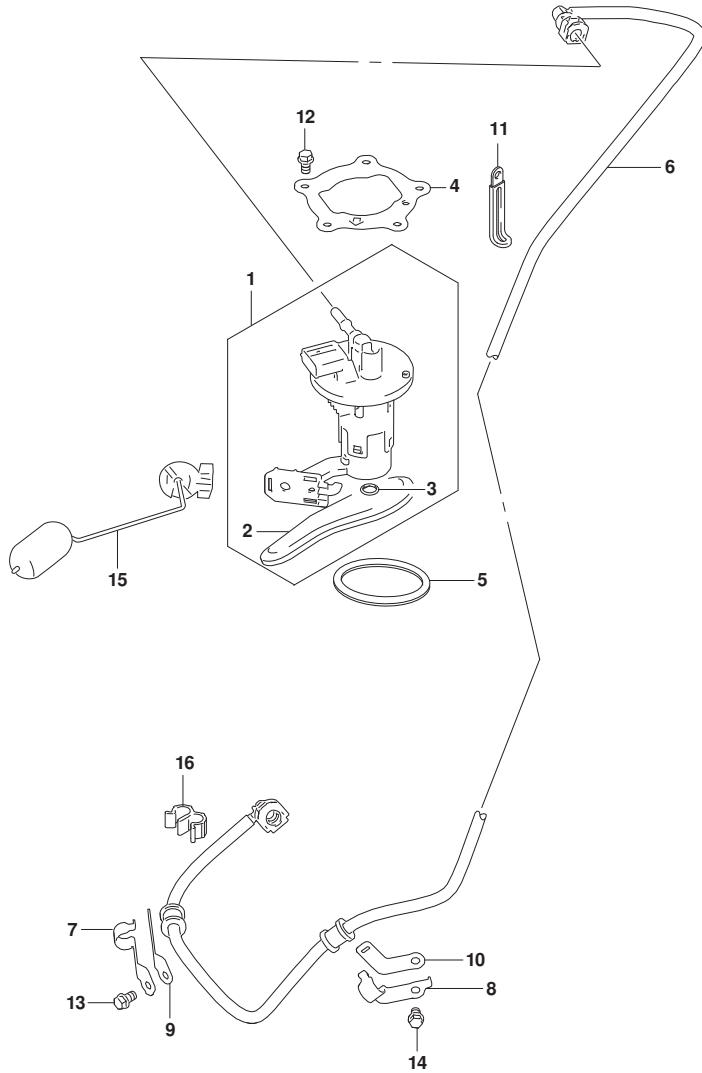


FIG.172A (1-B-14) FUEL PUMP

REF NO.	PART NO.	DESCRIPTION	Q'TY	REMARKS
1	15100-02L13-000	PUMP ASSY, FUEL	1	
2	15420-02L10-000	.FILTER	1	
3	15424-09JB0-000	.O RING	1	
4	15121-02L10-000	PLATE, FUEL PUMP	1	
5	15201-02L00-000	O RING	1	
6	15810-02L11-000	HOSE, FUEL	1	
7	15891-02L00-000	CLAMP, FUEL HOSE FR	1	
8	15892-02L00-000	CLAMP, FUEL HOSE RR	1	
9	15893-02L00-000	CLAMP, FUEL HOSE RR NO.2	1	
10	15894-02L00-000	CLAMP, FUEL HOSE RR NO.2	1	
11	09404-06429-000	CLAMP (L:45)	2	
12	01547-0610A-000	BOLT	5	
13	01547-0610A-000	BOLT	1	
14	01547-0610A-000	BOLT	1	
15	34810-44K00-000	GAUGE ASSY, FUEL LEVEL SENDER	1	
16	09408-00349-000	CLAMP	1	

FIG.181A

FIG.181A (1-C-2) COOLING FAN

REF NO.	PART NO.	DESCRIPTION	Q'TY	REMARKS
1	17110-27L00-000	FAN, COOLING	1	
2	01550-0612A-000	BOLT	3	
3	17120-27L00-000	COWLING, CYLINDER UPPER	1	
4	17122-27L00-000	COWLING, CYLINDER LOWER	1	
5	17123-08K00-000	MOLD, CYLINDER COWLING	1	
6	01547-0625A-000	BOLT	1	
7	03541-0516A-000	SCREW	2	
8	17130-27L00-000	COWLING, FAN	1	
9	01547-0625A-000	BOLT	2	
10	03541-0516A-000	SCREW	2	
11	17124-02L00-000	MOLD, TENSIONER ADJUSTER	1	
12	09404-06429-000	CLAMP (L:45)	1	

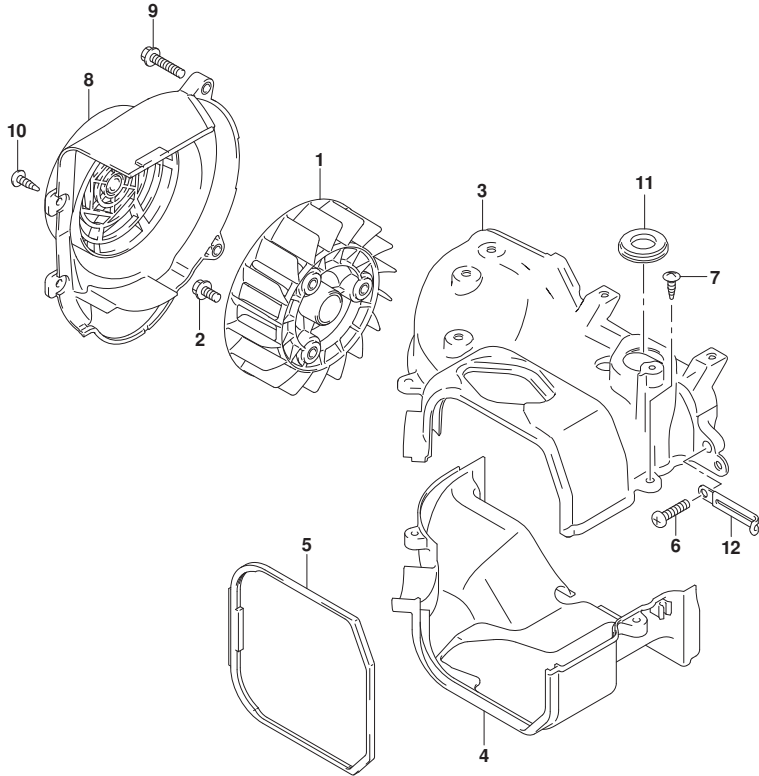


FIG.210A

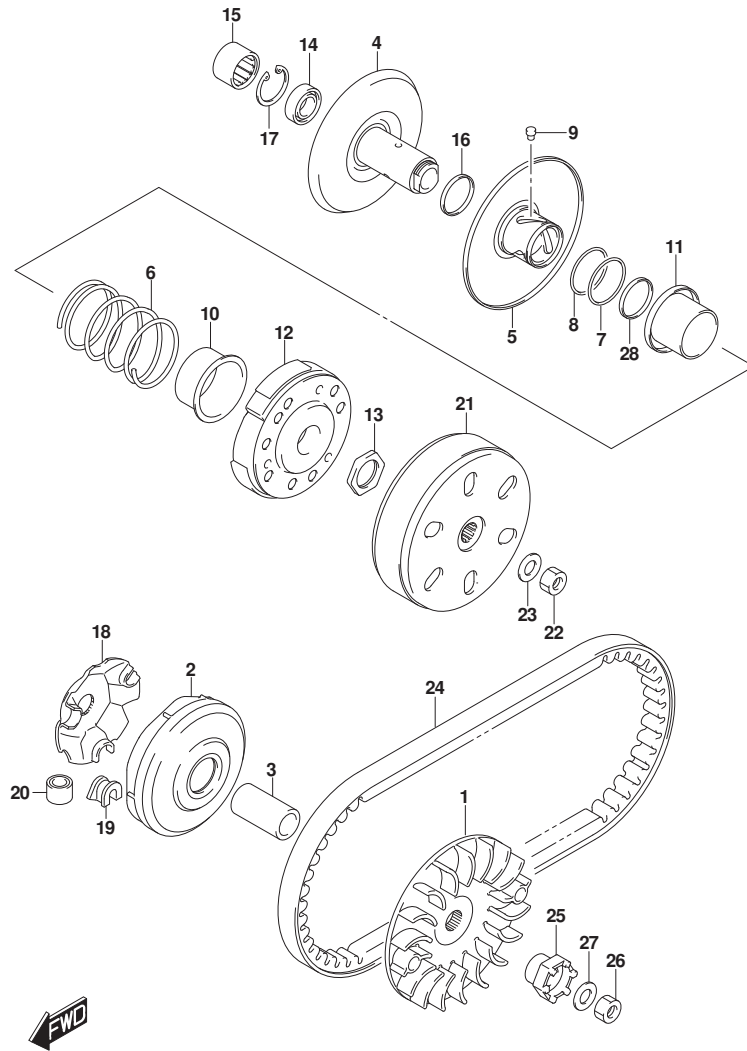


FIG.210A (1-C-3) TRANSMISSION (1)

REF NO.	PART NO.	DESCRIPTION	Q'TY	REMARKS
1	21111-33G50-000	FACE, FIXED DRIVE	1	
2	21120-33G70-000	FACE, MOVABLE DRIVE	1	
3	21125-33G00-000	SPACER, MOVABLE DRIVE	1	
4	21210-08K10-000	FACE, FIXED DRIVEN	1	
5	21240-08K10-000	FACE, MOVABLE DRIVEN	1	
6	21243-08K00-000	SPRING, MOVABLE DRIVEN	1	
7	21245-09J00-000	O RING	1	
8	21246-08K00-000	O RING	1	
9	21248-08K00-000	PIN, MOVABLE DRIVEN	3	
10	21472-08K00-000	SHEET, CLUTCH DRIVE PLATE	1	
11	21471-08K00-000	SHEET, MOVABLE DRIVEN	1	
12	21501-08K10-000	CLUTCH ASSY, SHOE	1	
13	09140-12055-000	NUT	1	
14	21215-08K10-000	BEARING, FIXED DRIVEN LH	1	
15	21214-08K00-000	BEARING, FIXED DRIVEN RH	1	
16	21247-08K00-000	OIL SEAL, MOVABLE DRIVEN	1	
17	21216-08K00-000	CIRCLIP, FIXED DRIVEN	1	
18	21431-33G00-000	PLATE, MOVABLE DRIVE	1	
19	21481-08K00-000	DAMPER, MOVABLE DRIVE PLATE	3	
20	21650-08K10-000	ROLLER, MOVABLE DRIVE	6	
21	21220-08K10-000	HOUSING, CLUTCH	1	
22	09140-12055-000	NUT	1	
23	08211-12223-000	WASHER	1	
24	27601-27L00-000	V-BELT, DRIVE	1	
25	26231-27L00-000	STARTER, KICK RH	1	
26	21518-09J00-000	NUT, SHOE CLUTCH	1	
27	08211-12223-000	WASHER	1	
28	21247-08K00-000	OIL SEAL, MOVABLE DRIVEN	1	

FIG.211A

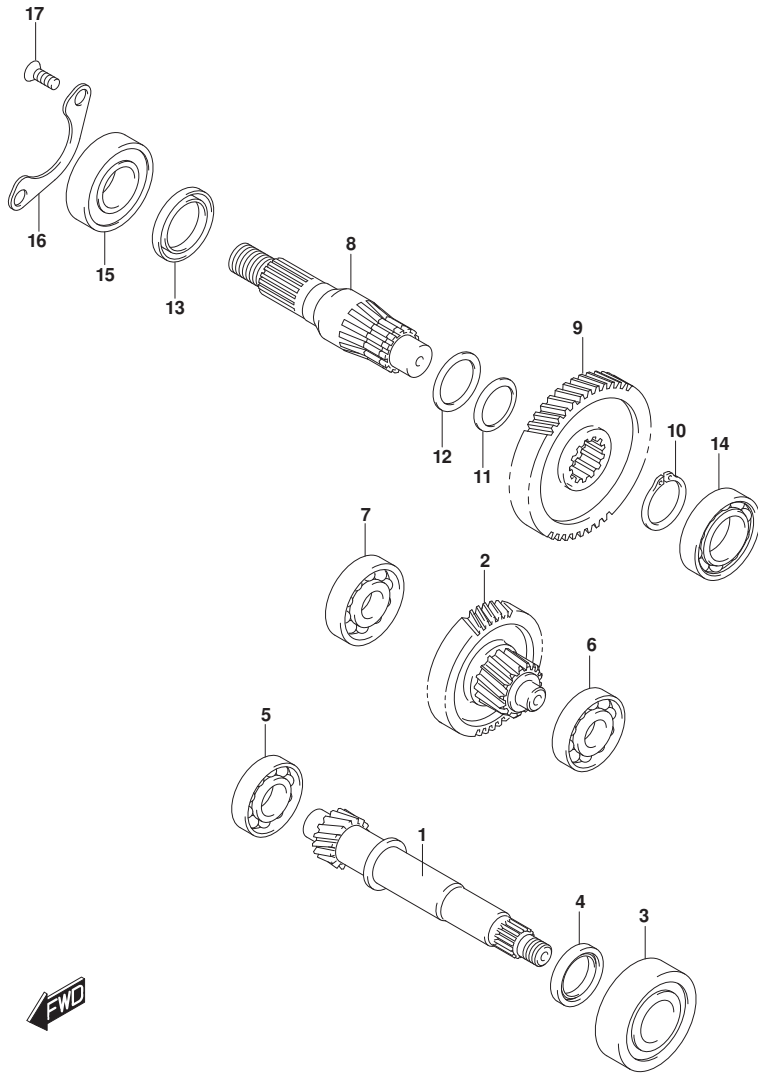


FIG.211A (1-C-4) TRANSMISSION (2)

REF NO.	PART NO.	DESCRIPTION	Q'TY	REMARKS
1-1	24131-33G80-000	SHAFT, DRIVE (NT:17)	1	
1-2	24131-33G90-000	SHAFT, DRIVE (NT:17)	1	
2	24150-27L00-000	SHAFT, IDLE (NT:12/42)	1	
3-1	09262-20171-000	BEARING (20X47X14)	1	
3-2	09262-20158-000	BEARING (20X47X14)	1	
3-3	09262-20151-000	BEARING (20X47X14)	1	
4	09283-20069-000	OIL SEAL (19X28X5)	1	
5	08110-6202A-000	BEARING	1	
6	09262-12034-000	BEARING (12X32X10)	1	
7	09262-12035-000	BEARING (12X28X8)	1	
8	24141-27L00-000	SHAFT, REAR AXLE	1	
9	24371-27L00-000	GEAR, FINAL DRIVEN (NT:45)	1	
10	08331-31249-000	CIRCLIP	1	
11	24142-08K10-000	WASHER, FINAL DRIVEN GEAR	1	
12	09181-25051-000	SHIM (T:0.60)	1	
13	09283-29007-000	OIL SEAL	1	
14	08110-62030-000	BEARING	1	
15	09262-22041-000	BEARING (22X50X14)	1	
16	24751-09J00-000	RETAINER, DRIVE SHAFT BEARING	1	
17	02122-0616A-000	SCREW	2	

FIG.240A

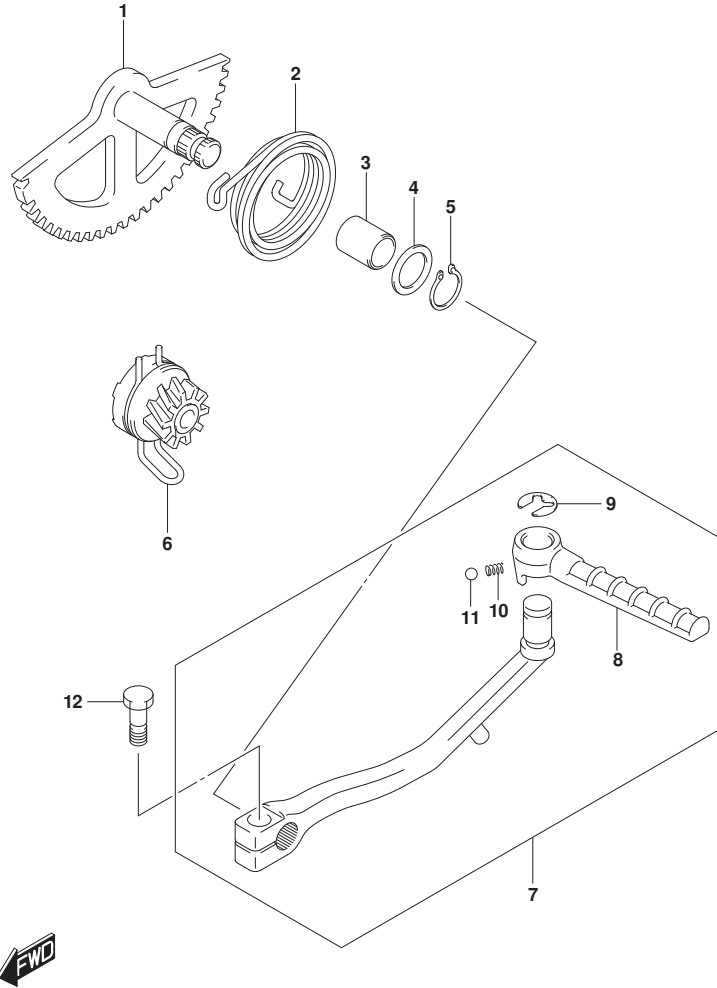


FIG.240A (1-C-5) KICK STARTER

REF NO.	PART NO.	DESCRIPTION	Q'TY	REMARKS
1	26210-08K00-000	SHAFT, KICK STARTER (NT:56)	1	
2	26212-46G00-000	SPRING, KICK STARTER SHAFT	1	
3-1	26213-39J00-000	BUSH, KICK SHAFT	1	
3-2	26213-39J20-000	BUSH, KICK SHAFT	1	
4	09160-14053-000	WASHER (14.5X22X0.8)	1	
5	08331-31149-000	CIRCLIP	1	
6	26200-39J00-000	GEAR ASSY, KICK STARTER DRIVEN (NT:10)	1	
7	26300-08K00-000	LEVER ASSY, KICK STARTER	1	
8	26351-08K00-000	.PEDAL, KICK STARTER	1	
9	09383-08002-000	.E-RING	1	
10	09440-05005-000	.SPRING	1	
11	06112-07004-000	.BALL	1	
12	26314-33G30-000	BOLT, KICK STARTER LEVER	1	

FIG.304A

FIG.304A (1-C-6) GENERATOR

REF NO.	PART NO.	DESCRIPTION	Q'TY	REMARKS
1	31497-27L00-000	CLAMP, STATOR LEAD	1	
2	32101-27L00-000	STATOR ASSY	1	
3	32102-27L00-000	ROTOR ASSY	1	
4	07130-0630B-000	BOLT	3	
5	32108-27L00-000	PIN, STARTER GENERATOR	1	
6	01547-0612A-000	BOLT	1	
7	08316-1012A-000	NUT	1	
8	08341-31039-000	KEY	1	
9	09407-14408-000	CLAMP (L:120)	1	

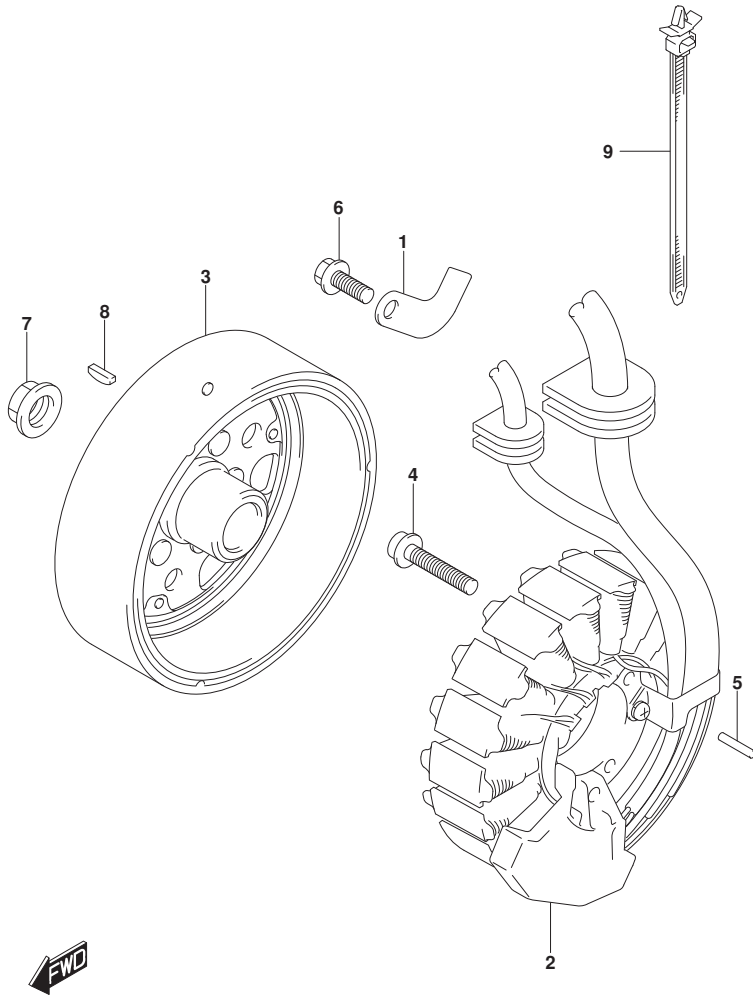


FIG.310A

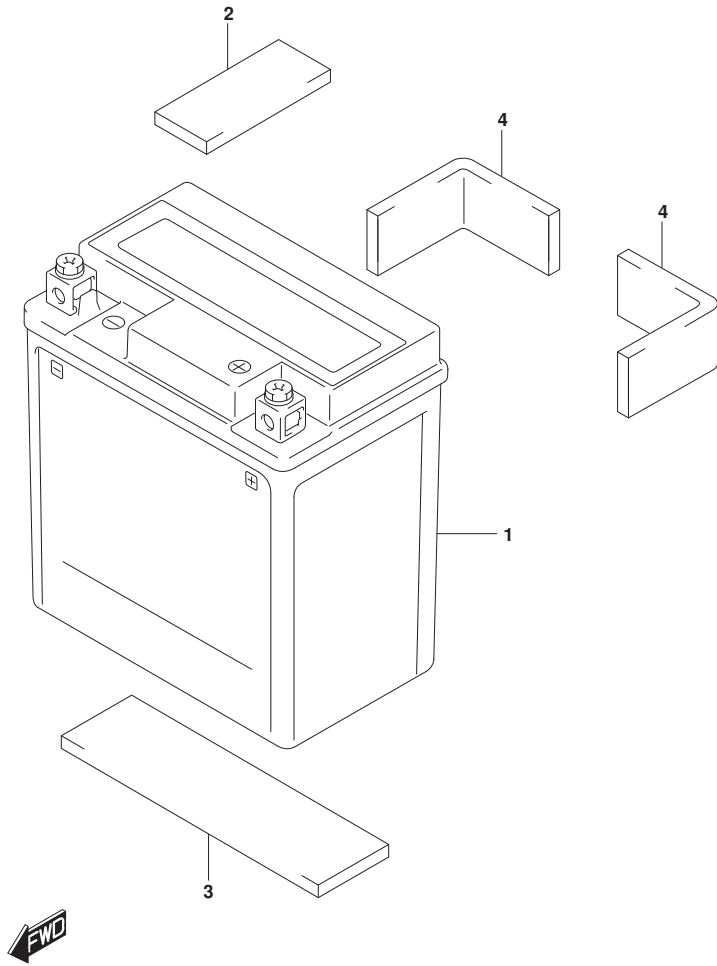


FIG.310A (1-C-7) BATTERY

REF NO.	PART NO.	DESCRIPTION	Q'TY	REMARKS
1	33620-41K10-000	BATTERY ASSY (YTZ7,12V/6.3AH)	1	
2	33652-39J20-000	PROTECTOR, BATTERY	1	
3	33652-29100-000	PROTECTOR, BATTERY (170X95X3.0)	1	
4	33652-43J00-000	PROTECTOR, BATTERY	2	

FIG.312A

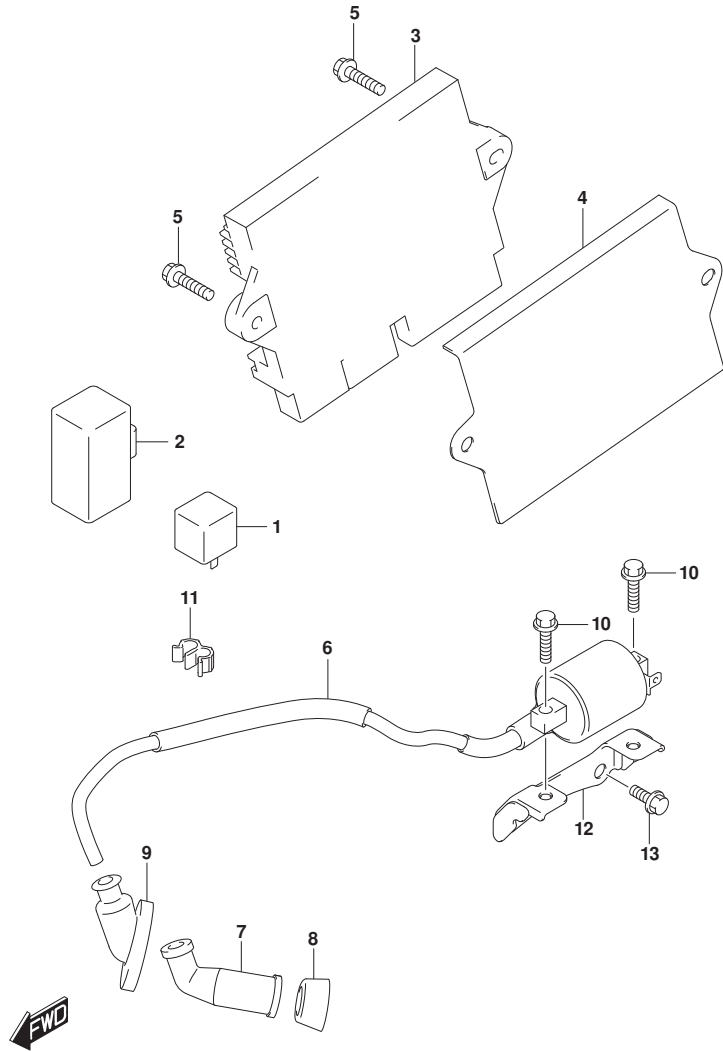


FIG.312A (1-C-8) ELECTRICAL

REF NO.	PART NO.	DESCRIPTION	Q'TY	REMARKS
1	31800-27L00-000	RELAY ASSY, STARTER AND CHARGE	1	
2	31863-27L00-000	HOLDER, RELAY	1	
3	32960-27L01-000	CONTROL UNIT, FI	1	
4	32832-27L00-000	PLATE, ECM	1	
5	01547-0625A-000	BOLT	2	
6	33410-27L01-000	COIL ASSY, IGNITION	1	
7	33510-08K00-000	CAP, SPARK PLUG	1	
8	33541-08K00-000	SEAL, SPARK PLUG	1	
9	33542-08K01-000	SEAL, HIGH TENSION CORD	1	
10	01547-0620A-000	BOLT	2	
11	09408-00349-000	CLAMP	1	
12	41890-27L00-000	BRACKET, IGNITION COIL	1	
13	01547-0612A-000	BOLT	2	

FIG.330A

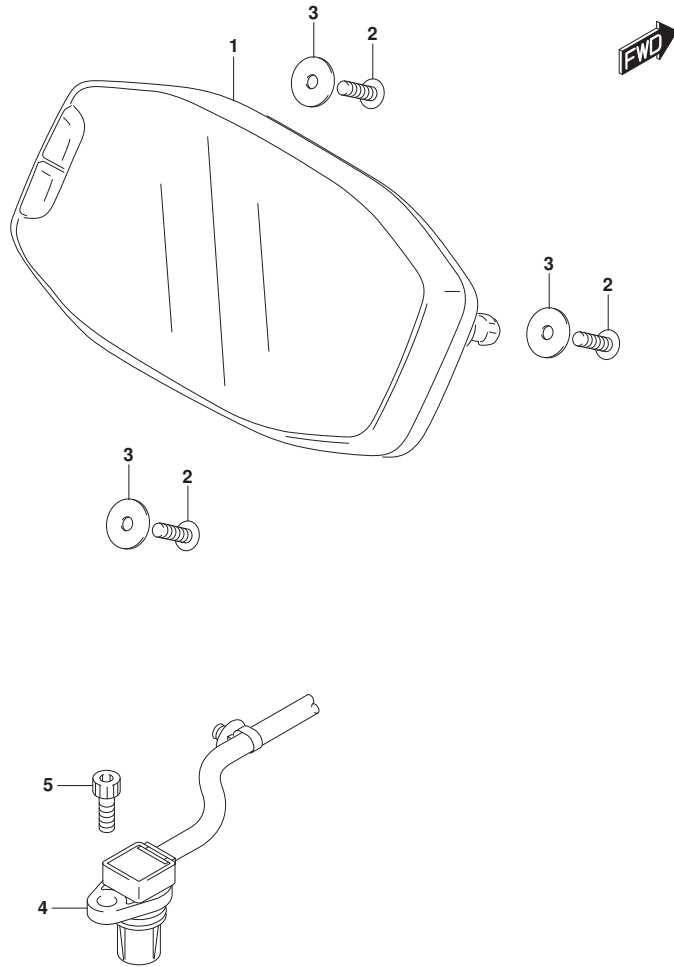


FIG.330A (1-C-9) SPEEDOMETER

REF NO.	PART NO.	DESCRIPTION	Q'TY	REMARKS
1	34100-14LD1-000	SPEEDOMETER ASSY	1	
2	03541-0416A-000	SCREW	3	
3	09160-04026-000	WASHER (4.5X16X1.2)	3	
4	34990-44K01-000	SENSOR, SPEED	1	
5	07130-0616A-000	BOLT	1	

FIG.333A

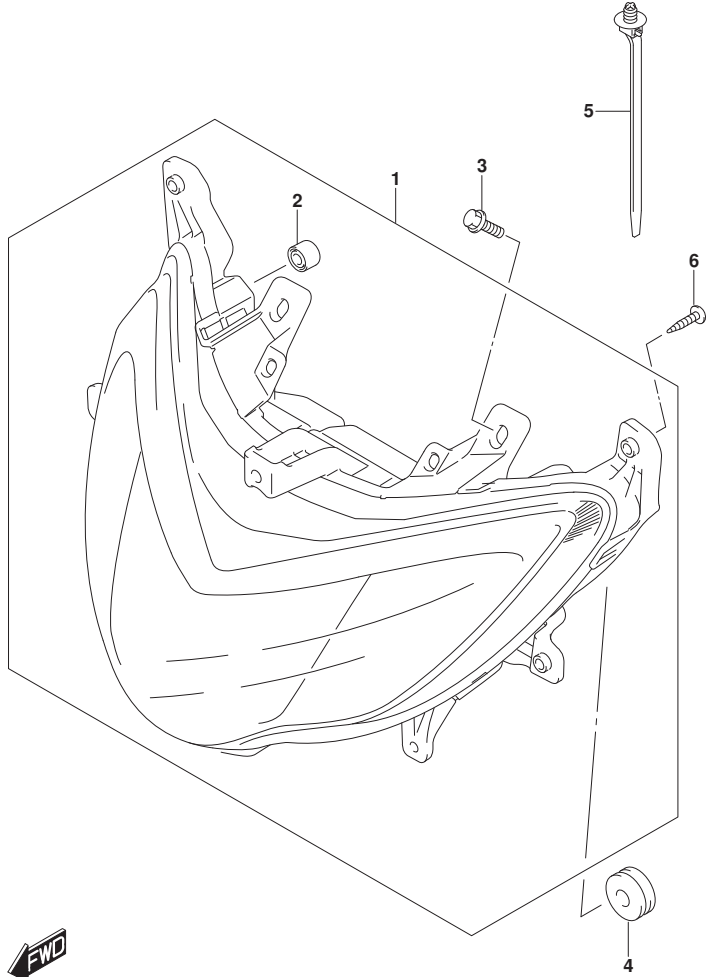


FIG.333A (1-C-10) HEADLAMP

REF NO.	PART NO.	DESCRIPTION	Q'TY	REMARKS
1	35100-44K11-000	HEADLAMP ASSY	1	
2	35182-44K00-000	.CAP	1	
3	09111-06110-000	BOLT (6X17.8)	2	
4	09320-08018-000	CUSHION (8X26X7)	2	
5	09407-15L01-000	CLAMP (L:170)	2	
6	03541-0516A-000	SCREW	7	

FIG.335A

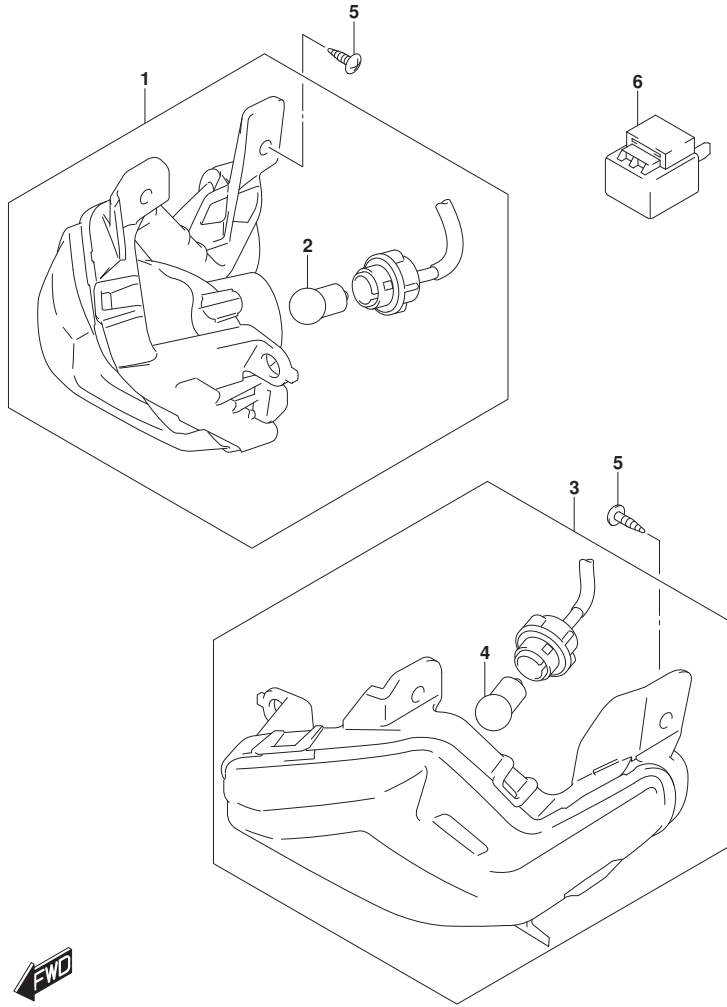


FIG.335A (1-C-11) FRONT TURNSIGNAL LAMP

REF NO.	PART NO.	DESCRIPTION	Q'TY	REMARKS
1	35601-44KA0-000	LAMP ASSY, FRONT TURNSIGNAL RH	1	
2	09471-12226-000	.BULB (12V10W,AMBER)	1	
3	35602-44KA0-000	LAMP ASSY, FRONT TURNSIGNAL LH	1	
4	09471-12226-000	.BULB (12V10W,AMBER)	1	
5	03541-0516A-000	SCREW	4	
6-1	38610-23J10-000	RELAY ASSY, TURNSIGNAL	1	STAR ENGINEERS
6-2	38610-27K01-000	RELAY ASSY, TURNSIGNAL	1	DHOOT TRANSMISSION



FIG.339A

FIG.339A (1-C-12) REAR COMBINATION LAMP

REF NO.	PART NO.	DESCRIPTION	Q'TY	REMARKS
1	35710-44KA0-000	LAMP ASSY, REAR COMB	1	
2	35650-44K00-000	.CAP	2	
3	09471-12226-000	.BULB (12V10W,AMBER)	2	
4	35718-44K00-000	.SOCKET & CORD	1	
5	09148-05060-000	NUT (M5)	2	
6	09404-06429-000	CLAMP (L:45)	3	
7	09407-15L01-000	CLAMP (L:170)	1	
8	03541-0516A-000	SCREW	4	
9	35970-28G00-000	REFLECTOR ASSY, RR	1	
10	08316-1005A-000	NUT	1	
11	35910-16GU1-000	LAMP ASSY, LICENSE	1	
12	35912-30H01-000	.LENS	1	
13	35913-30H00-000	.GASKET	1	
14	35917-30H00-000	.COVER	1	
15	35926-30H00-000	.WASHER	2	
16	09471-12216-000	.BULB (12V5W)	1	
17	03211-04203-000	.SCREW	2	
18	09160-05501-000	WASHER (5.5X20X1.2)	2	
19	03541-0520A-000	SCREW	2	

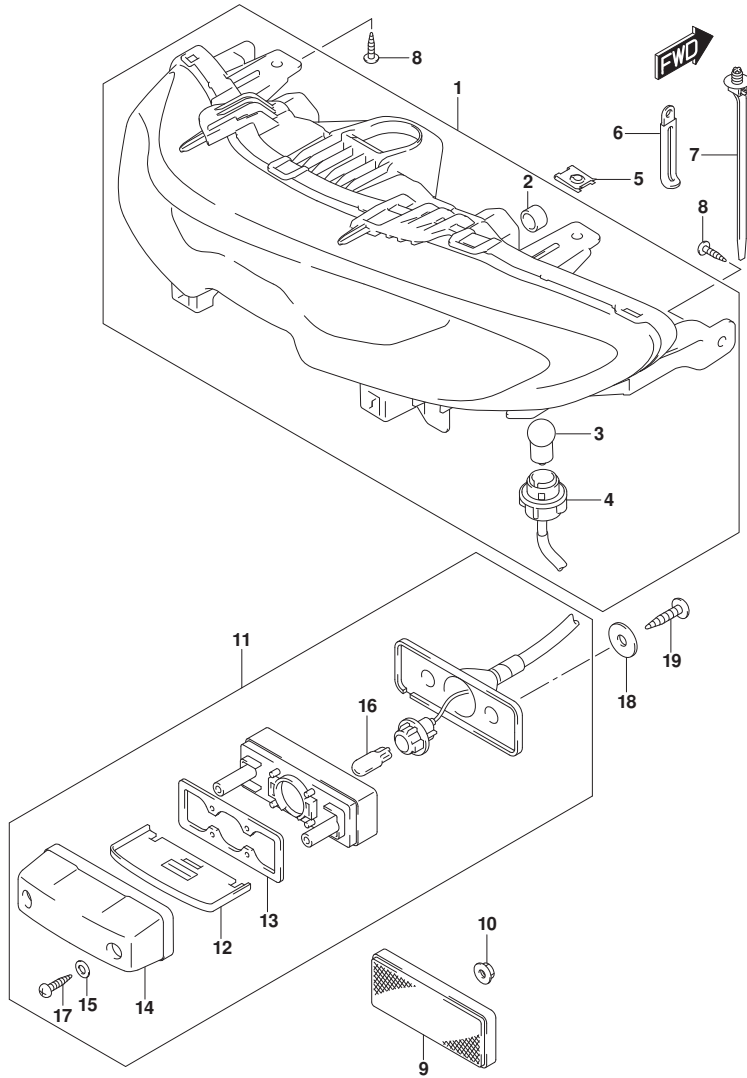


FIG.350A

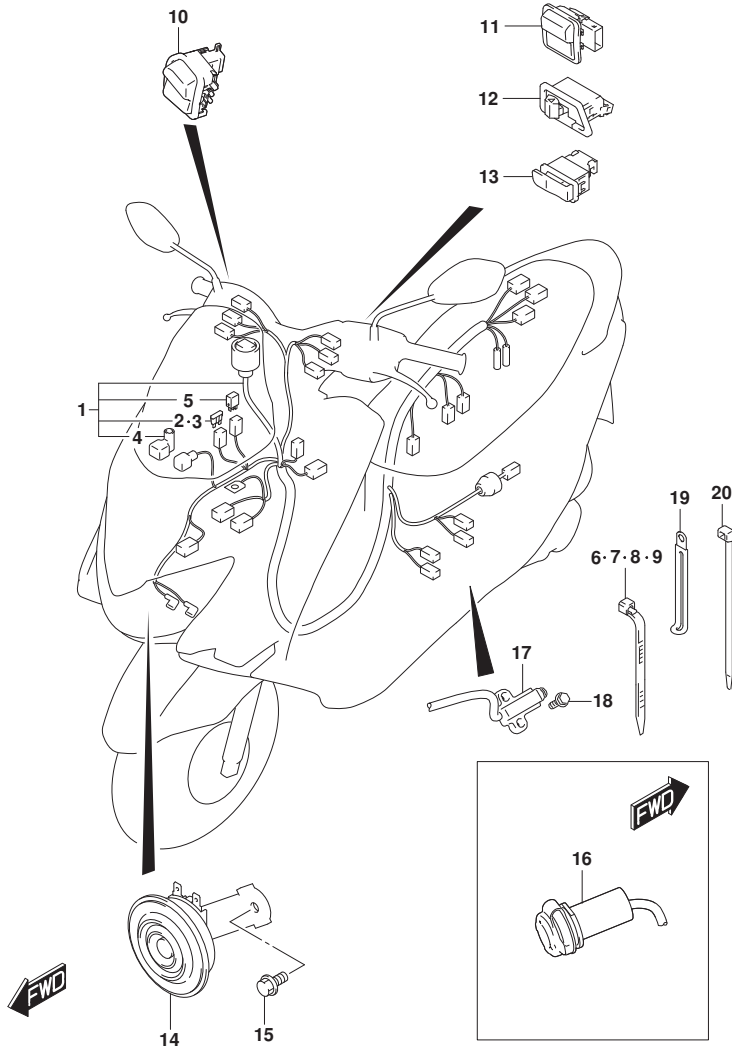


FIG.350A (1-C-13) WIRING HARNESS

REF NO.	PART NO.	DESCRIPTION	Q'TY	REMARKS
1	36610-27L00-000	HARNESS, WIRING	1	
2	09481-10501-000	.FUSE (10A)	5	
3	09481-20501-000	.FUSE (20A)	1	
4	33624-23J00-000	.CAP, BATTERY PLUS TERMINAL	1	
5	38860-76F01-000	.RELAY ASSY	1	
6	36990-70F20-000	CLAMP, COMB SW WIRE (L:165)	1	
7	09407-14L01-000	CLAMP (L:125)	3	
8	09407-15L01-000	CLAMP (L:170)	1	
9	09407-29L01-000	CLAMP (L:300)	1	
10	37360-02L10-000	SWITCH ASSY, ST & IDLING STOP	1	
11	37420-02L11-000	SWITCH ASSY, DIMMER	1	
12	37510-33G11-000	SWITCH ASSY, TURNSIGNAL	1	
13	37520-33G11-000	SWITCH ASSY, HORN	1	
14	38500-48G31-000	HORN ASSY	1	
15	01550-0612A-000	BOLT	1	
16	39105-44K21-000	SOCKET, USB	1	
17	37840-02L11-000	SWITCH ASSY, SIDE STAND	1	
18	01550-0620A-000	BOLT	2	
19	09404-06429-000	CLAMP (L:45)	1	
20	09407-14407-000	CLAMP (L:145)	1	

FIG.352A



FIG.352A (1-C-14) LOCK SET

REF NO.	PART NO.	DESCRIPTION	QTY	REMARKS
1	37100-08K10-000	LOCK ASSY, STEERING	1	
2	37152-30H00-000	BOLT, STEERING LOCK	2	
3	08322-0106A-000	WASHER	2	
4	37155-08820-000	SHUTTER SET	1	
5	02112-3510A-000	.SCREW	1	

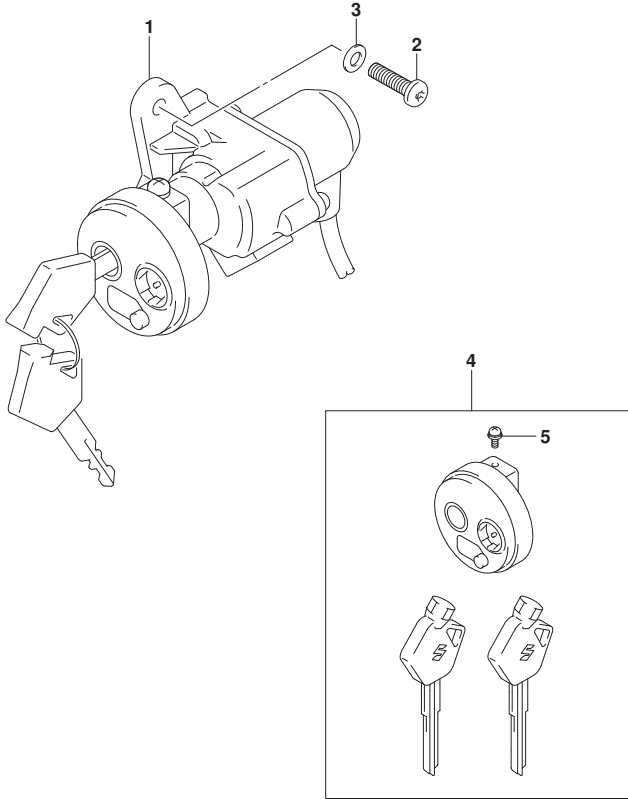


FIG.401A

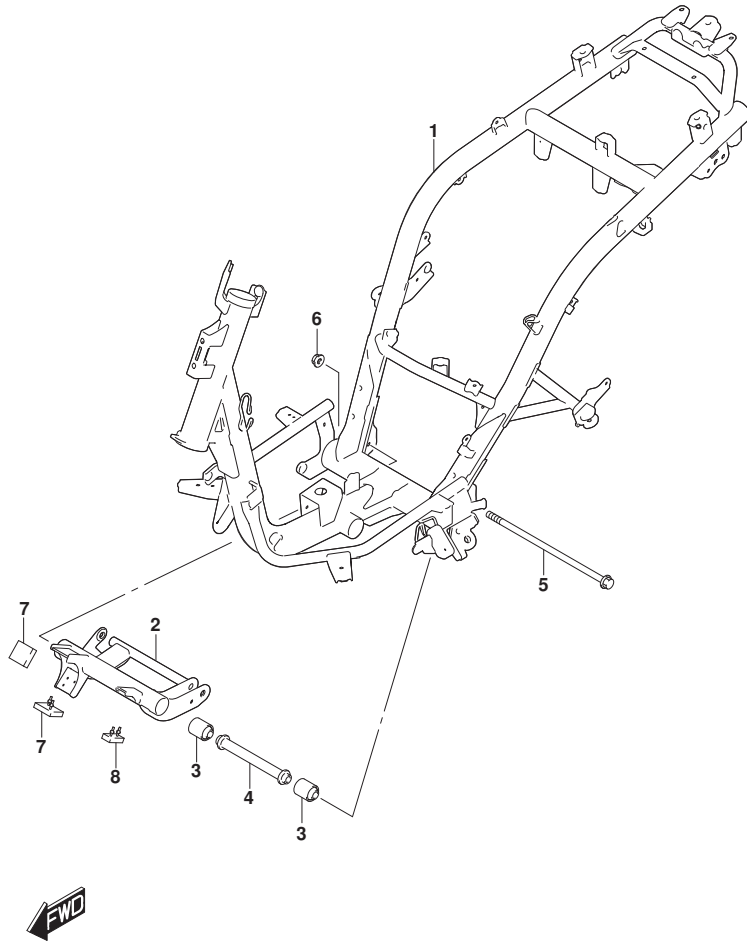


FIG.401A (1-D-2) FRAME

REF NO.	PART NO.	DESCRIPTION	Q'TY	REMARKS
1	41100-27L00-000	FRAME	1	
2	41180-02L00-000	BRACKET, CRANKCASE	1	
3	41184-39J00-000	BUSH, CRANKCASE BRKT	2	
4	41170-09J10-000	SPACER, CRANKCASE BRKT	1	
5	41189-39J00-000	BOLT, CRANKCASE BRKT (10X255)	1	
6	08319-3110A-000	NUT	1	
7	41185-09J10-000	CUSHION	2	
8	41185-08K00-000	CUSHION, SWING STOP	1	

FIG.405A

FIG.405A (1-D-3) BATTERY HOLDER

REF NO.	PART NO.	DESCRIPTION	QTY	REMARKS
1	41540-27L00-000	HOLDER, BATTERY	1	
2	41521-27L00-000	HOLDER, BATTERY NO.2	1	
3	01550-0835A-000	BOLT	2	
4	09111-06106-000	BOLT (6X12)	2	

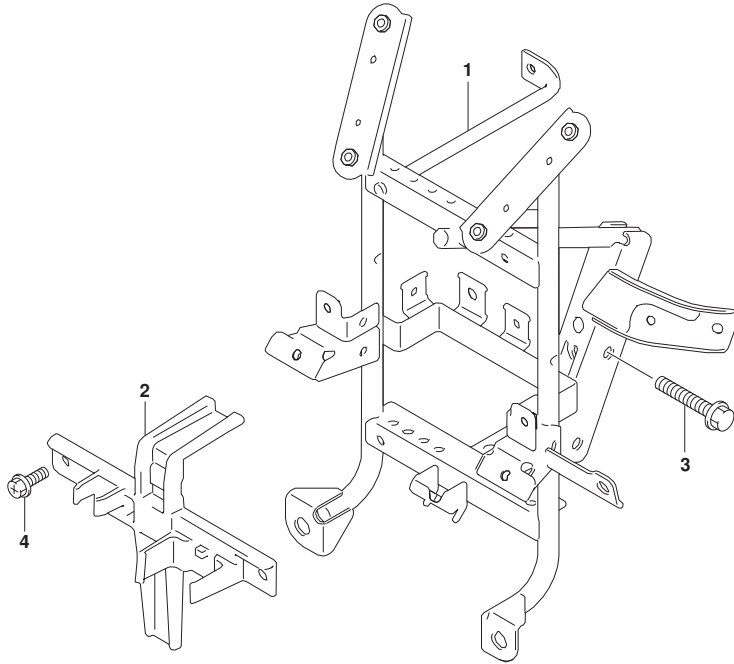


FIG.407A

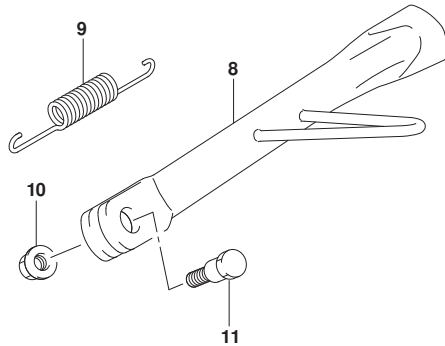
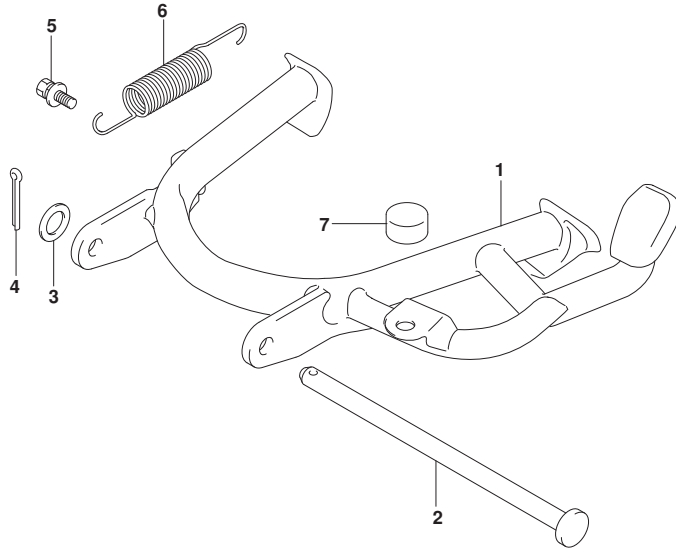


FIG.407A (1-D-4) STAND

REF NO.	PART NO.	DESCRIPTION	Q'TY	REMARKS
1	42100-27L00-000	STAND, CENTER	1	
2	42211-39J00-000	SHAFT, CTR STAND	1	
3	42275-25J00-000	WASHER, CTR STAND	1	
4	04111-3020A-000	PIN	1	
5	42251-32G00-000	BOLT, CTR STAND SPRING	1	
6	09443-17026-000	SPRING	1	
7	42278-44K00-000	CUSHION	1	
8	42310-02L10-000	STAND, PROP	1	
9	42421-02L00-000	SPRING, PROP STAND INNER	1	
10	08319-3110A-000	NUT	1	
11	42341-27K00-000	BOLT, PROP STAND (10X33)	1	

FIG.415A

FIG.415A (1-D-5) FOOTREST

REF NO.	PART NO.	DESCRIPTION	Q'TY	REMARKS
1	43611-44K10-000	BAR, PILLION FOOTREST RH	1	
2	43621-44K10-000	BAR, PILLION FOOTREST LH	1	
3	09200-08077-000	PIN	2	
4	04111-2515A-000	PIN	2	
5	09440-05003-000	SPRING	2	
6	06111-07004-000	BALL	2	

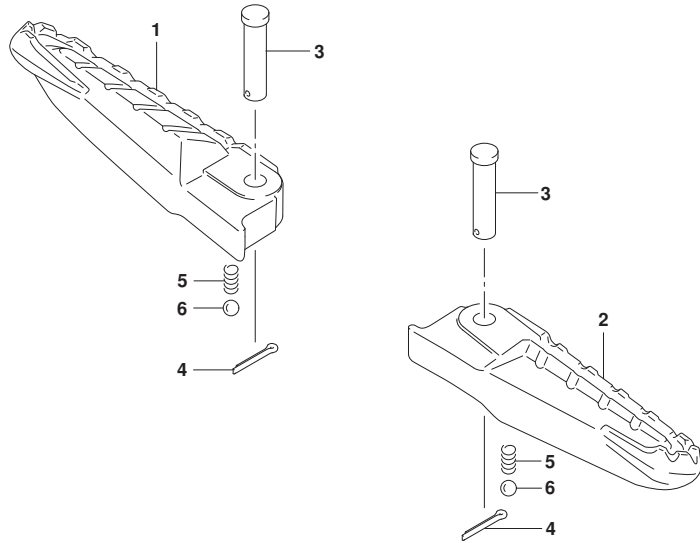


FIG.420A

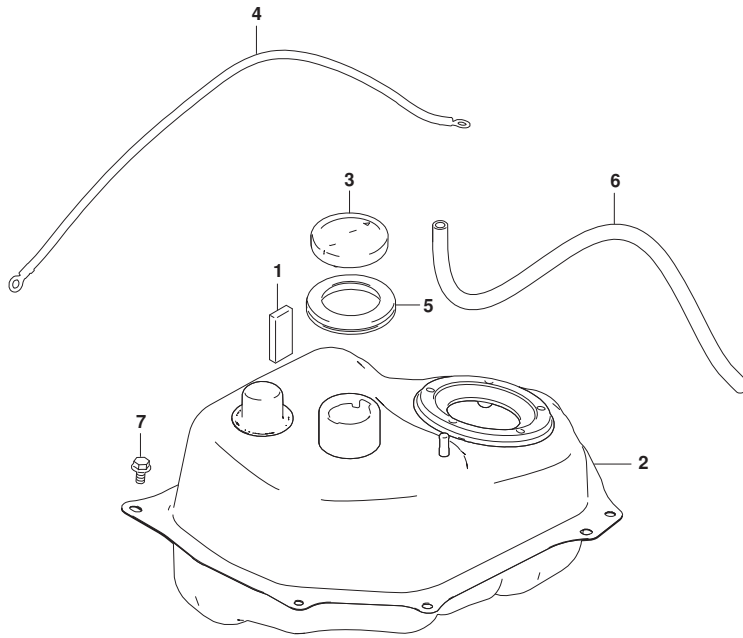


FIG.420A (1-D-6) FUEL TANK

REF NO.	PART NO.	DESCRIPTION	Q'TY	REMARKS
1	44281-02L00-000	CUSHION, FUEL TANK UPR 2	1	
2	44100-44K40-000	TANK SET, FUEL	1	
3	44210-44K10-000	CAP, FUEL TANK FILLER	1	
4	36851-02L01-000	WIRE, FUEL TANK	1	
5	44261-44K00-000	RUBBER, FUEL TANK INLET	1	
6	09352-70114-510	HOSE (7X11X510)	1	
7	01550-0612A-000	BOLT	4	



FIG.427A

FIG.427A (1-D-7) EVAP SYSTEM

REF NO.	PART NO.	DESCRIPTION	Q'TY	REMARKS
1	18560-02L00-000	CANISTER ASSY, EVAP	1	
2	18561-14L01-000	HOSE, CSTR PURGE	1	
3	18563-14L00-000	HOSE, CSTR SURGE	1	
4	18567-02L00-000	HOSE, CSTR AIR	1	
5	18571-02L00-000	CLAMP, PURGE HOSE NO.1	1	
6	18572-02L00-000	CLAMP, PURGE HOSE NO.2	1	
7	18573-02L00-000	CUSHION, CANISTER	1	
8	09251-04004-000	CAP	1	
9	09401-08001-000	CLIP	1	
10	09401-09101-000	CLIP	1	
11	09401-09101-000	CLIP	1	
12	09401-10401-000	CLIP	1	
13	09401-13102-000	CLIP	1	
14	09408-00343-000	CLAMP	1	
15	01547-0610A-000	BOLT	1	
16	03541-0512A-000	SCREW	1	
17	09401-09406-000	CLIP	1	
18	44894-39J10-000	CUSHION, FUEL TANK BRTHR	1	
19	44240-13H00-000	VALVE, FUEL TANK BREATHER	1	
20	44434-44K10-000	HOSE, TANK & BRTHR VALVE	1	
21	09401-09L03-000	CLIP (ID:9.4,H:8)	2	

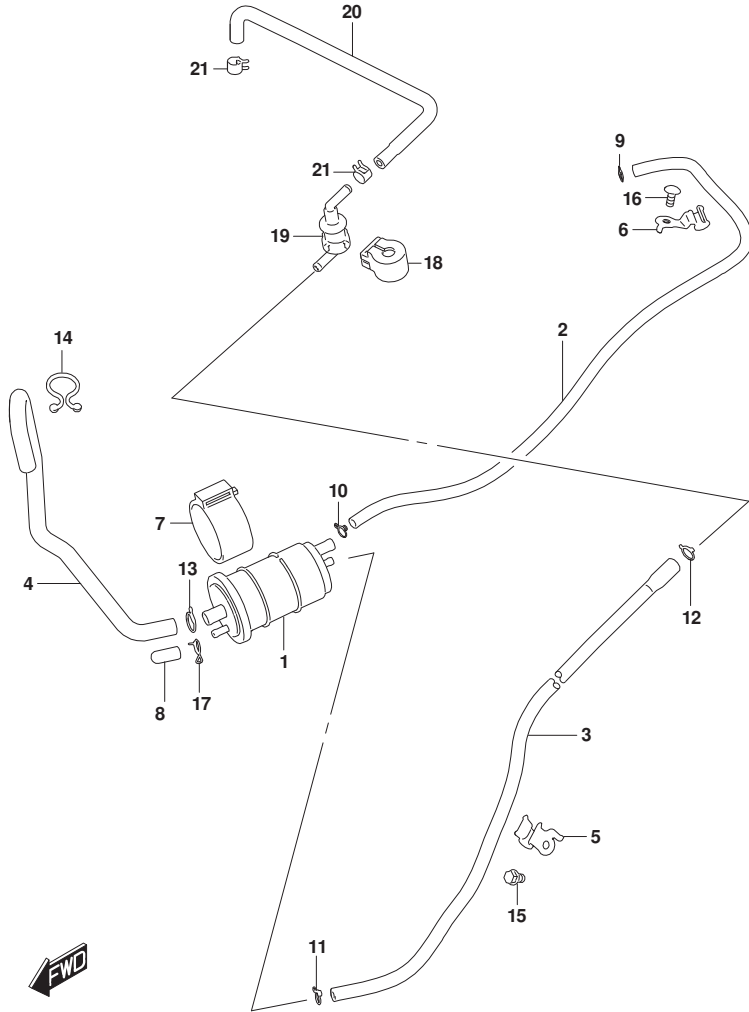


FIG.435A

FIG.435A (1-D-8) FRONT LEG SHIELD

REF NO.	PART NO.	DESCRIPTION	Q'TY	REMARKS
1-1	48111-44K20-YPA	SHIELD, LEG FRONT (WHITE)	1	
1-2	48111-44K01-YKV	SHIELD, LEG FRONT (BLACK)	1	
1-3	48111-44K20-YWC	SHIELD, LEG FRONT (GRAY)	1	
2-1	48112-44K10-SAB	GARNISH, FRONT LEG SHIELD RH (SILVER)	1	FOR YPA
2-2	48112-44K10-PGZ	GARNISH, FRONT LEG SHIELD RH (GRAY)	1	FOR YKV, YWC
3-1	48113-44K10-SAB	GARNISH, FRONT LEG SHIELD LH (SILVER)	1	FOR YPA
3-2	48113-44K10-PGZ	GARNISH, FRONT LEG SHIELD LH (GRAY)	1	FOR YKV, YWC
4	48114-44K01-000	SHIELD, LEG FRONT LOWER	1	
5-1	48211-44K10-YPA	SHIELD, LEG FRONT RH (WHITE)	1	
5-2	48211-44K02-YKV	SHIELD, LEG FRONT RH (BLACK)	1	
5-3	48211-44K10-YWC	SHIELD, LEG FRONT RH (GRAY)	1	
6-1	48221-44K10-YPA	SHIELD, LEG FRONT LH (WHITE)	1	
6-2	48221-44K02-YKV	SHIELD, LEG FRONT LH (BLACK)	1	
6-3	48221-44K10-YWC	SHIELD, LEG FRONT LH (GRAY)	1	
7	68641-33GC0-000	EMBLEM, S	1	
8	94421-27L00-291	PANEL, METER (BLACK)	1	
9	94671-44K11-000	PANEL, FRONT	1	
10	09148-05060-000	NUT (M5)	6	
11	09148-05060-000	NUT (M5)	4	
12	09148-05060-000	NUT (M5)	4	
13	09148-05060-000	NUT (M5)	4	
14-1	09409-08L09-000	CLIP	2	HARYANA
14-2	09409-08014-000	CLIP	2	ARAYMOND
15	48119-44K00-000	SCREW, LEG FR UPR	2	
16	03541-0516A-000	SCREW	8	
17	03541-0516B-000	SCREW	2	
18	03541-0516A-000	SCREW	2	
19-1	92114-44K10-SAB	COVER, LEG SHIELD UPPER (SILVER)	1	FOR YPA
19-2	92114-44K01-PGZ	COVER, LEG SHIELD UPR (GRAY)	1	FOR YWC
19-3	92114-44K10-PGZ	COVER, LEG SHIELD UPPER (GRAY)	1	FOR YWC

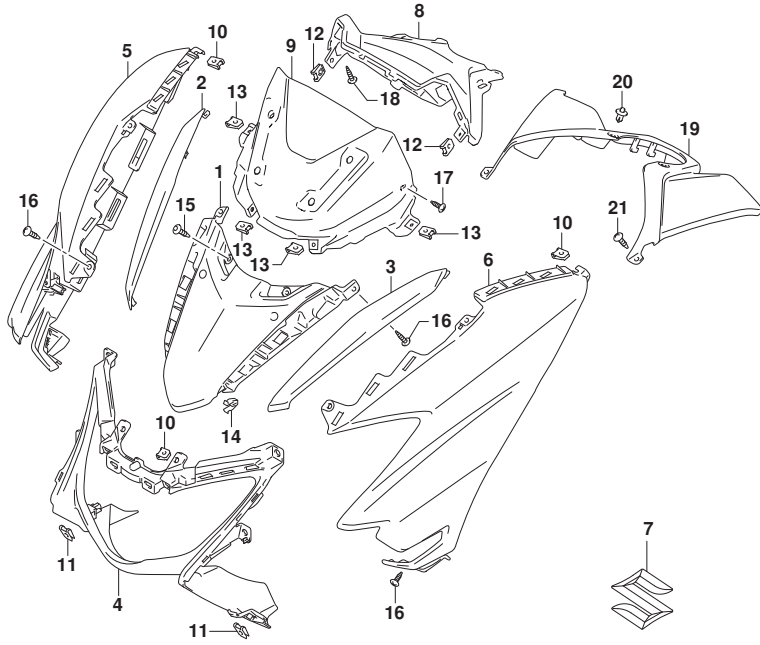


FIG.435A

FIG.435A (1-D-9) FRONT LEG SHIELD

REF NO.	PART NO.	DESCRIPTION	Q'TY	REMARKS
20-1	09409-06L07-000	CLIP	2	HARYANA
20-2	09409-06346-000	CLIP	2	ARAYMOND
21	03541-0516A-000	SCREW	2	

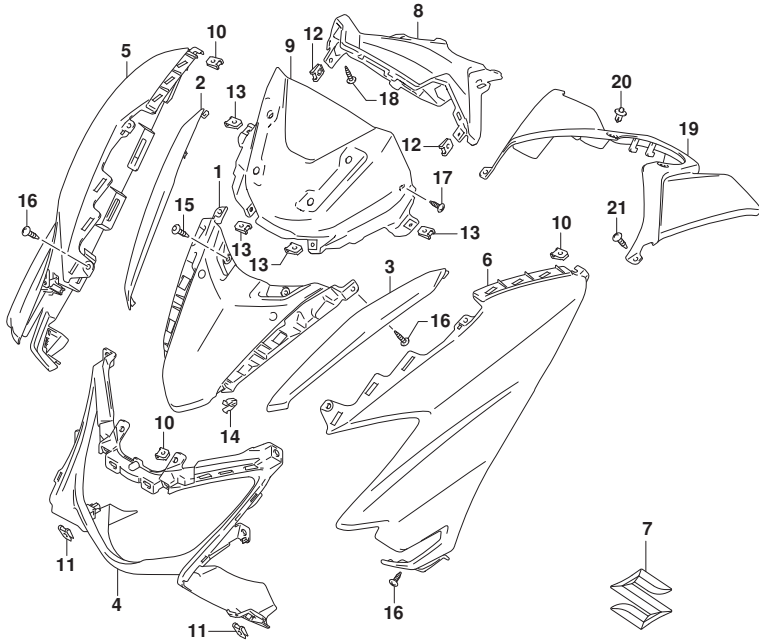


FIG.438A

FIG.438A (1-D-10) SIDE LEG SHIELD

REF NO.	PART NO.	DESCRIPTION	Q'TY	REMARKS
1-1	48132-44K10-YPA	SHIELD, LEG SIDE RH (WHITE)	1	
1-2	48132-44K01-YKV	SHIELD, LEG SIDE RH (BLACK)	1	
1-3	48132-44K10-YWC	SHIELD, LEG SIDE RH (GRAY)	1	
2-1	48133-44K10-YPA	SHIELD, LEG SIDE LH (WHITE)	1	
2-2	48133-44K01-YKV	SHIELD, LEG SIDE LH (BLACK)	1	
2-3	48133-44K10-YWC	SHIELD, LEG SIDE LH (GRAY)	1	
3	48131-44K40-000	COVER, UNDER	1	
4	09148-05060-000	NUT (M5)	2	
5	09148-05060-000	NUT (M5)	2	
6-1	09409-06L07-000	CLIP	2	HARYANA
6-2	09409-06346-000	CLIP	2	ARAYMOND
7	01550-0612A-000	BOLT	4	
8	03541-0516A-000	SCREW	4	

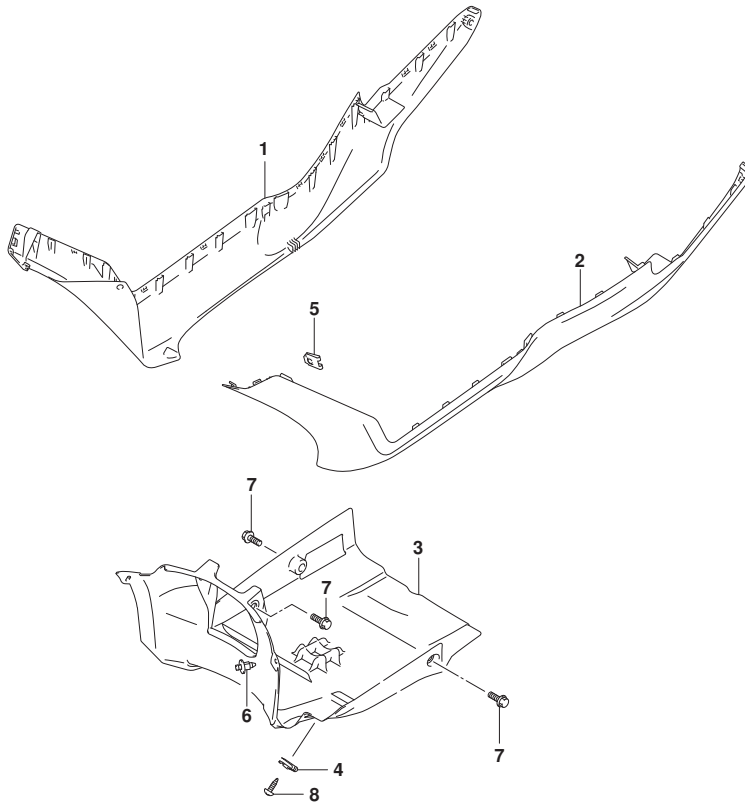


FIG.440A

FIG.440A (1-D-11) REAR LEG SHIELD

REF NO.	PART NO.	DESCRIPTION	Q'TY	REMARKS
1	48121-44K11-291	FOOTBOARD, LEG SHIELD (BLACK)	1	
2	09111-06072-000	BOLT (6X17.8)	4	
3	48115-27L10-000	BOLT, FOOTBOARD SIDE	2	
4	09148-05060-000	NUT (M5)	2	
5	03541-0516A-000	SCREW	4	
6-1	47131-44K10-SAB	COVER, SIDE LOWER RH (SILVER)	1	FOR YPA
6-2	47131-44K01-PGZ	COVER, SIDE LOWER RH (GRAY)	1	FOR YKV
6-3	47131-44K10-PGZ	COVER, SIDE LOWER RH (GRAY)	1	FOR YWC
7-1	47231-44K10-SAB	COVER, SIDE LOWER LH (SILVER)	1	FOR YPA
7-2	47231-44K01-PGZ	COVER, SIDE LOWER LH (GRAY)	1	FOR YKV
7-3	47231-44K10-PGZ	COVER, SIDE LOWER LH (GRAY)	1	FOR YWC
8	68136-27L00-000	EMBLEM	1	
9	03541-0516B-000	SCREW	2	
10	09160-06151-000	WASHER (6.5X18X1)	2	

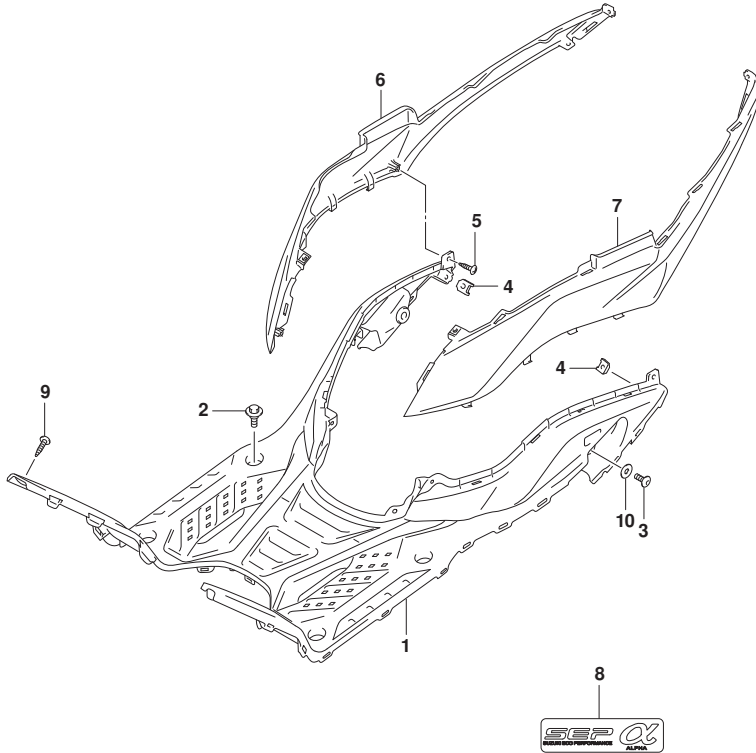


FIG.445A

FIG.445A (1-D-12) FRAME COVER

REF NO.	PART NO.	DESCRIPTION	Q'TY	REMARKS
1-1	47111-44K10-YPA	COVER, FRAME RH (WHITE)	1	
1-2	47111-44K01-YKV	COVER, FRAME RH (BLACK)	1	
1-3	47111-44K10-YWC	COVER, FRAME RH (GRAY)	1	
2-1	47211-44K10-YPA	COVER, FRAME LH (WHITE)	1	
2-2	47211-44K01-YKV	COVER, FRAME LH (BLACK)	1	
2-3	47211-44K10-YWC	COVER, FRAME LH (GRAY)	1	
3-1	47311-44K10-YPA	COVER, FRAME CENTER (WHITE)	1	
3-2	47311-44K01-YKV	COVER, FRAME CENTER (BLACK)	1	
3-3	47311-44K10-YWC	COVER, FRAME CENTER (GRAY)	1	
4	47411-44K01-000	COVER, FRAME LOWER	1	
5	47121-44K01-291	COVER, FRAME FRONT (BLACK)	1	
6-1	47412-44K10-SAB	GARNISH, FRAME COVER LOWER (SILVER)	1	FOR YPA
6-2	47412-44K10-PGZ	GARNISH, FRAME COVER LOWER (GRAY)	1	FOR YKV, YWC
7	68131-44K00-000	EMBLEM, FRAME COVER RH	1	
8	68141-44K00-000	EMBLEM, FRAME COVER LH	1	
9-1	68132-27L00-BYC	EMBLEM (SILVER/GRAY)	2	FOR YPA, YWC
9-2	68132-27L00-CKR	EMBLEM	2	FOR YKV
10	68141-27K00-AB4	EMBLEM, SUZUKI (SILVER/BLACK)	1	
11	09148-05060-000	NUT (M5)	2	
12	09148-05060-000	NUT (M5)	2	
13	09148-05060-000	NUT (M5)	4	
14	09148-05060-000	NUT (M5)	4	
15-1	09409-06L07-000	CLIP	2	HARYANA
15-2	09409-06346-000	CLIP	2	ARAYMOND
16-1	09409-08L09-000	CLIP	2	HARYANA
16-2	09409-08014-000	CLIP	2	ARAYMOND
17	03541-0516A-000	SCREW	6	
18	03541-0516A-000	SCREW	2	
19	03541-0516A-000	SCREW	2	
20	47353-44K00-000	SCREW, FRAME COVER LWR	2	

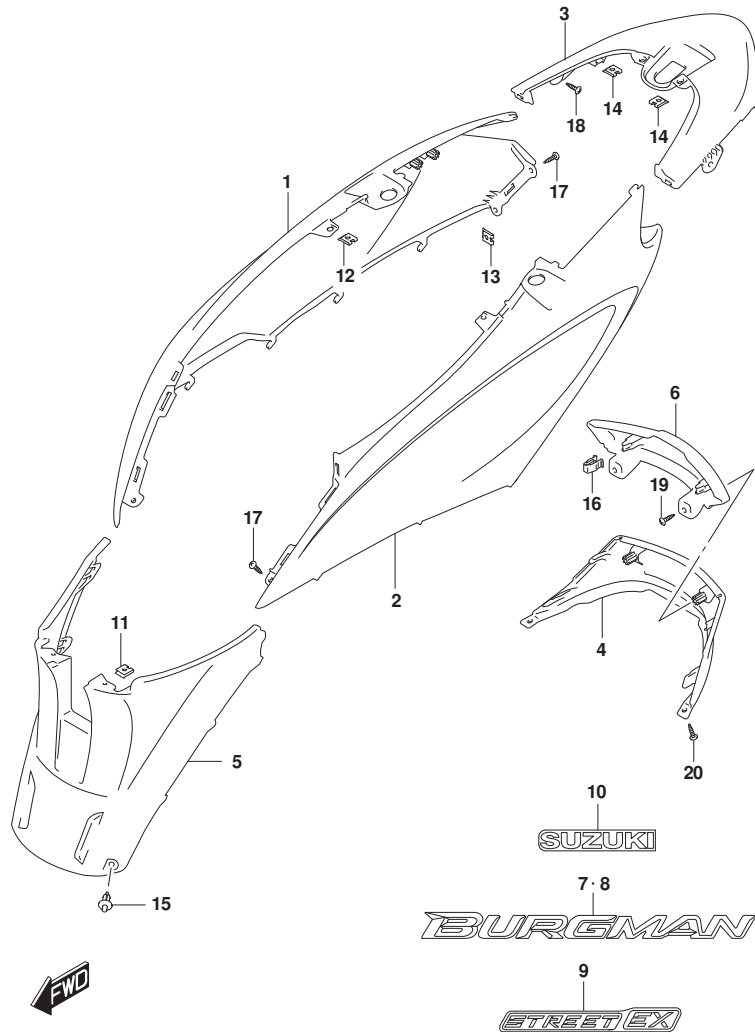


FIG.454A

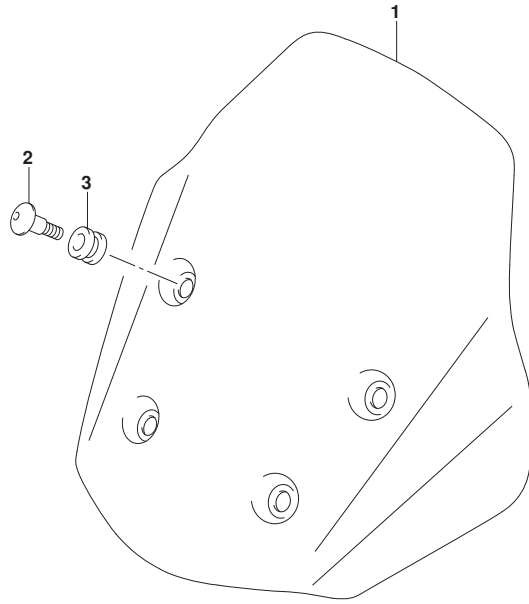


FIG.454A (1-D-13) WINDSCREEN

REF NO.	PART NO.	DESCRIPTION	Q'TY	REMARKS
1	94611-44K00-000	WINDSCREEN	1	
2	94619-44K00-000	SCREW, WINDSCREEN (6X20)	4	
3	09320-09016-000	CUSHION (9X18X9.5)	4	



FIG.456A

FIG.456A (1-D-14) HELMET BOX

REF NO.	PART NO.	DESCRIPTION	Q'TY	REMARKS
1	92211-44K10-000	BOX, HELMET	1	
2	01550-0612A-000	BOLT	3	
3	92212-27L00-000	COVER, HELMET BOX	1	
4	92170-33G60-291	HOOK ASSY, FRAME COVER (BLACK)	1	
5	92178-33G50-000	SCREW, FRAME COVER HOOK	2	
6	92180-08K01-000	BRACKET, FRAME COVER HOOK	1	
7	02142-0512A-000	SCREW	3	
8	03541-0516A-000	SCREW	2	
9	03541-0516A-000	SCREW	2	
10	96511-44K00-000	BAG, TOOL	1	
11	96412-33G50-000	DRIVER (+,-)	1	
12	96414-33G70-000	SPANNER, BOX (16)	1	
13	96513-23J40-000	SPANNER, OPEN (10X14)	1	
14	03541-0520A-000	SCREW	2	
15	96514-23J20-000	SPANNER, HEXAGON (3)	1	

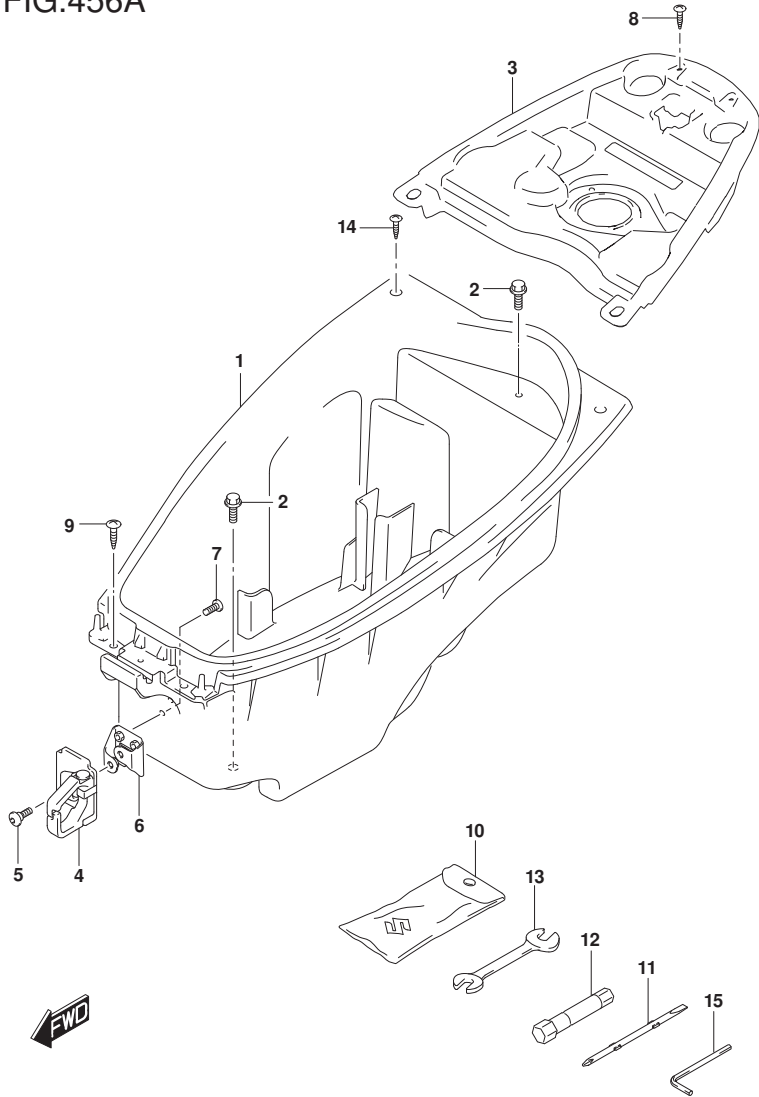


FIG.460A

FIG.460A (1-E-2) FRONT FENDER

REF NO.	PART NO.	DESCRIPTION	Q'TY	REMARKS
1-1	53111-44K40-YPA	FENDER, FRONT (WHITE)	1	
1-2	53111-44K10-YKV	FENDER, FRONT (BLACK)	1	
1-3	53111-44K40-YWC	FENDER, FRONT (GRAY)	1	
2	09111-06109-000	BOLT (6X14.8)	3	
3	35950-20L00-000	REFLEX REFLECTOR ASSY, SIDE	2	
4	08316-1006A-000	NUT	2	

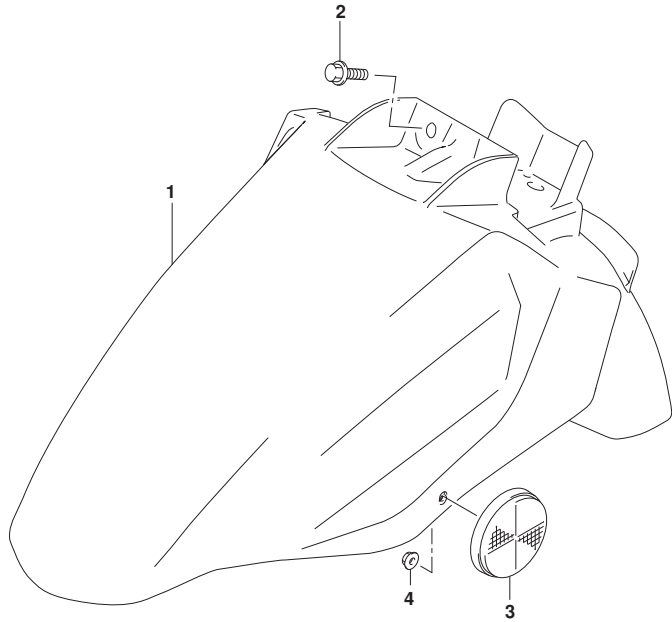


FIG.462A

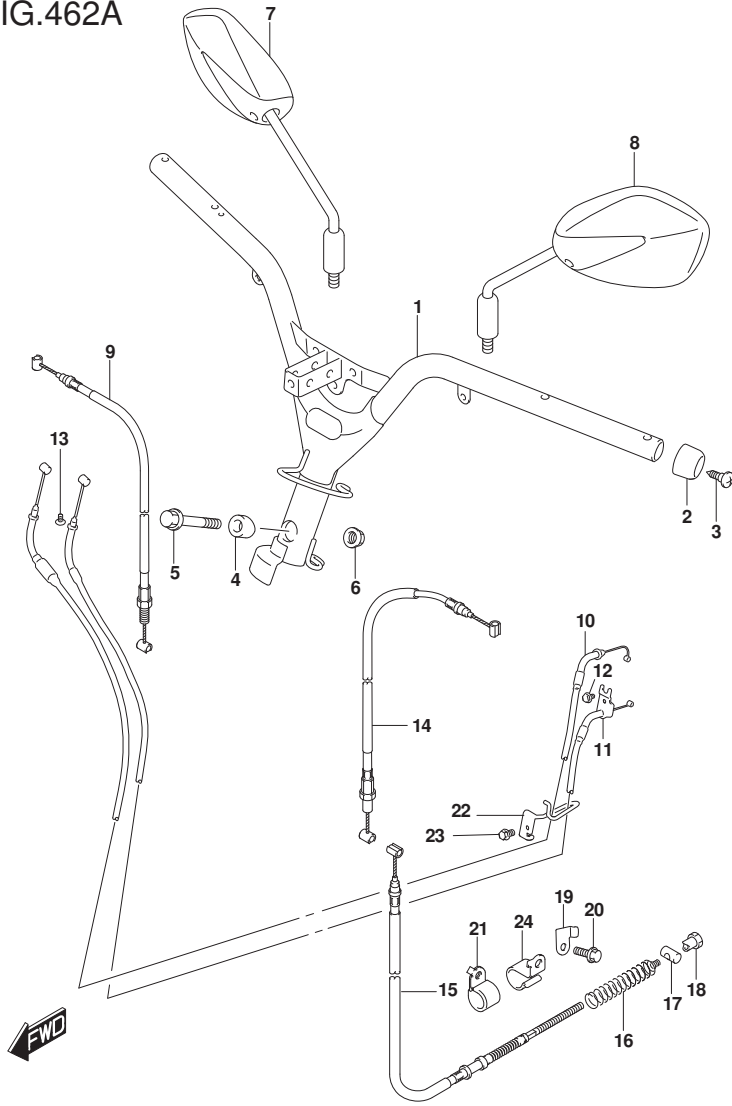


FIG.462A (1-E-3) HANDLEBAR

REF NO.	PART NO.	DESCRIPTION	Q'TY	REMARKS
1	56110-27L00-000	HANDLEBAR	1	
2	56278-42K00-000	BALANCER, HANDLEBAR	2	
3	02122-0630B-000	SCREW	2	
4	51358-09G00-000	STOPPER, HANDLEBAR	1	
5	09103-10126-000	BOLT (10X48)	1	
6	64147-33G10-000	NUT, FR HUB	1	
7	56500-34J41-000	MIRROR ASSY, RR VIEW RH	1	
8	56600-34J41-000	MIRROR ASSY, RR VIEW LH	1	
9	58110-44K02-000	CABLE, FRONT BRAKE	1	
10	58300-44K30-000	CABLE ASSY, THROTTLE NO.1	1	
11	58300-44K40-000	CABLE ASSY, THROTTLE NO.2	1	
12	01550-0510A-000	BOLT	1	
13	02142-0510B-000	SCREW	1	
14	58510-44K01-000	CABLE, REAR BRAKE NO.1	1	
15	58510-27L00-000	CABLE, REAR BRAKE NO.2	1	
16	58562-08K00-000	SPRING, REAR BRAKE CABLE	1	
17	09209-11002-000	PIN (11X18)	1	
18	09150-06010-000	NUT	1	
19	58575-39J00-000	PLATE, REAR BRAKE CABLE	1	
20	01547-0610A-000	BOLT	1	
21-1	58577-39J10-000	CLAMP, RR BK CABLE CRKC FR	1	
21-2	58577-39J20-000	CLAMP, RR BK CABLE CRKC FR	1	
22	58620-02L20-000	GUIDE, CABLE	1	
23	01547-0610A-000	BOLT	1	
24	58577-27L00-000	CLAMP, REAR BRAKE CABLE NO.2	1	

FIG.463A

FIG.463A (1-E-4) HANDLE COVER

REF NO.	PART NO.	DESCRIPTION	Q'TY	REMARKS
1	56311-44K21-291	COVER, HANDLE FRONT (BLACK)	1	
2	56321-44K21-291	COVER, HANDLE REAR (BLACK)	1	
3-1	56312-44K10-SAB	COVER, HANDLE UPPER (SILVER)	1	FOR YPA
3-2	56312-44K01-PGZ	COVER, HANDLE UPPER (GRAY)	1	FOR YKV
3-3	56312-44K10-PGZ	COVER, HANDLE UPPER (GRAY)	1	FOR YWC
4	68281-44K00-000	EMBLEM, S	1	
5	09148-05060-000	NUT (M5)	1	
6-1	09409-08L09-000	CLIP	2	HARYANA
6-2	09409-08014-000	CLIP	2	ARAYMOND
7	03541-0516B-000	SCREW	1	
8	03541-0416B-000	SCREW	4	
9	02142-0512A-000	SCREW	1	
10	03541-0516A-000	SCREW	3	

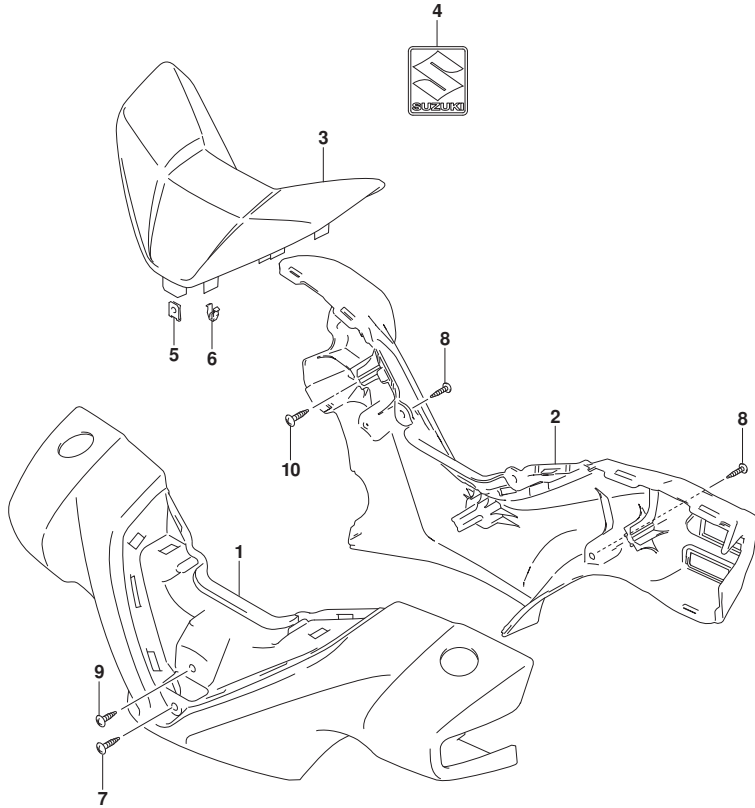


FIG.467A

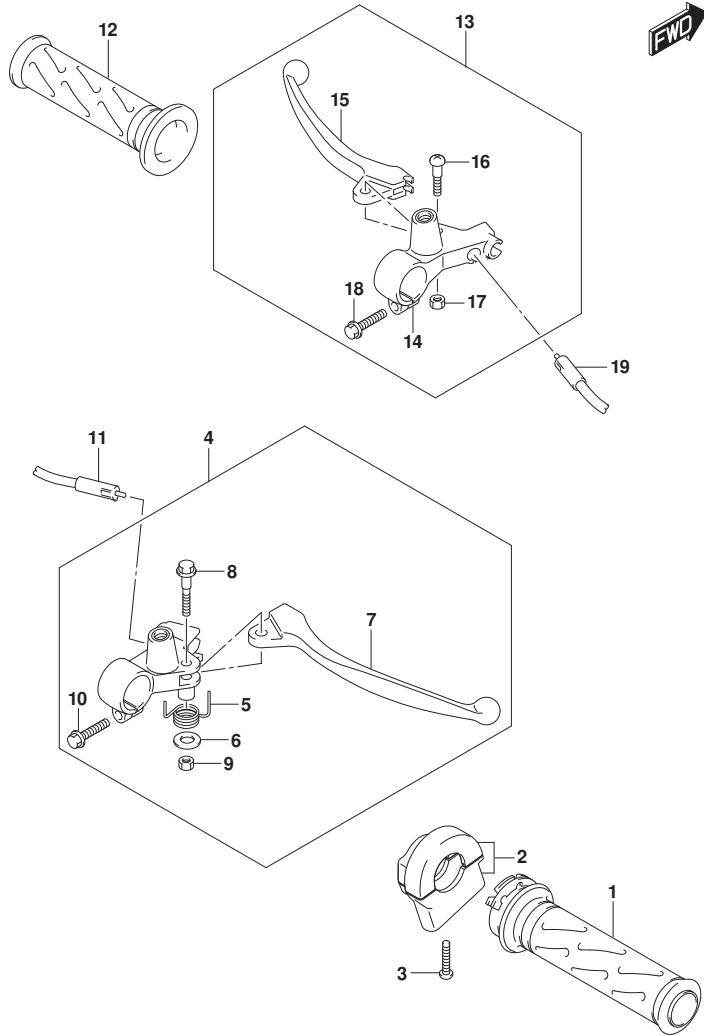


FIG.467A (1-E-5) HANDLE LEVER

REF NO.	PART NO.	DESCRIPTION	Q'TY	REMARKS
1	57110-30H11-000	GRIP, THROTTLE	1	
2	57100-02L00-000	CASE ASSY, THROTTLE	1	
3	02112-0525A-000	SCREW	2	
4	57300-02L00-000	LEVER ASSY, FR BRAKE	1	
5	57523-39J10-000	.SPRING, BRAKE LEVER STOPPER	1	
6	09160-05013-000	.WASHER (5.2X16X1.0)	1	
7	57421-02L00-000	.LEVER, BRAKE RH	1	
8	57431-02L00-000	.BOLT, BRAKE LEVER PIVOT	1	
9	08319-2105A-000	.NUT	1	
10	01547-0620A-000	.BOLT	1	
11	37760-14L00-000	SWITCH ASSY, BRAKE	1	
12	57211-22D12-000	GRIP LH	1	
13	57500-02L00-000	LEVER ASSY, RR BRAKE	1	
14	57511-02L00-000	.HOLDER, BRAKE LEVER LH	1	
15	57621-02L00-000	.LEVER, BRAKE LH	1	
16	57431-02L10-000	.BOLT, BRAKE LEVER PIVOT	1	
17	08319-2105A-000	.NUT	1	
18	01547-0620A-000	.BOLT	1	
19	37760-14L00-000	SWITCH ASSY, BRAKE	1	

FIG.474A

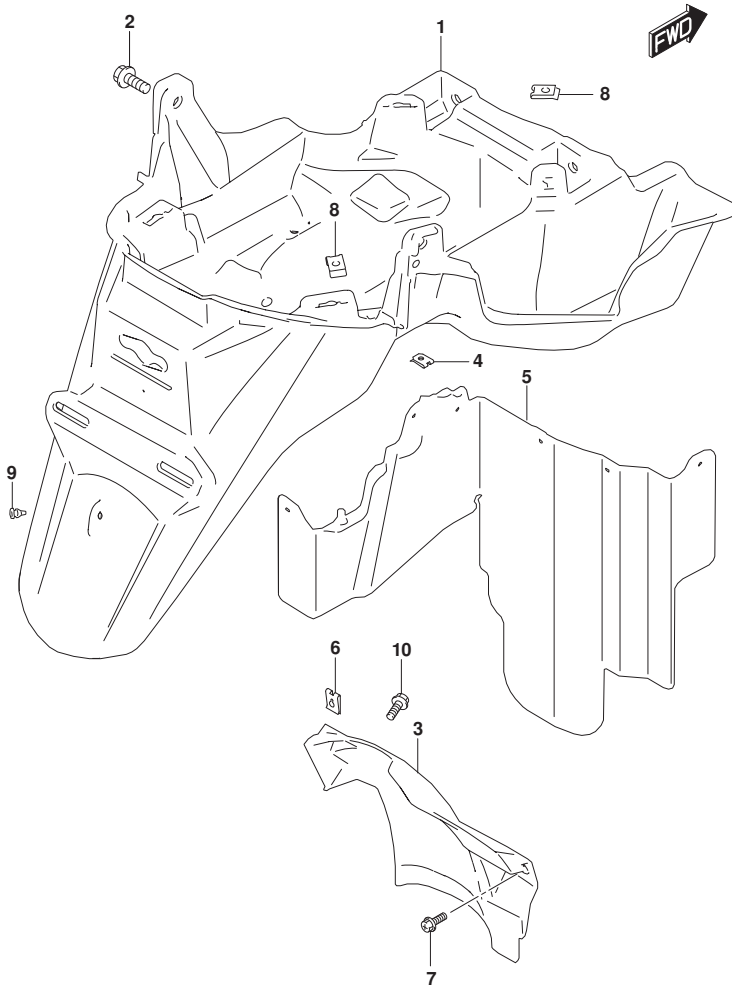


FIG.474A (1-E-6) REAR FENDER

REF NO.	PART NO.	DESCRIPTION	Q'TY	REMARKS
1	63111-27L00-000	FENDER, REAR UPPER	1	
2	01550-0612A-000	BOLT	4	
3	63112-27L00-000	FENDER, REAR LOWER	1	
4	63167-44K00-000	NUT, REAR FENDER UPPER	2	
5	63411-27L00-000	MUDGUARD, REAR FENDER	1	
6	35157-34J00-000	NUT (M6)	1	
7	09111-06102-000	BOLT (6X14.8)	1	
8	53122-27L00-000	NUT, FUEL TANK	4	
9	63118-41K00-000	PLUG, REAR FENDER	1	
10	63114-08K00-000	BOLT, REAR FENDER LOWER	1	

FIG.489A

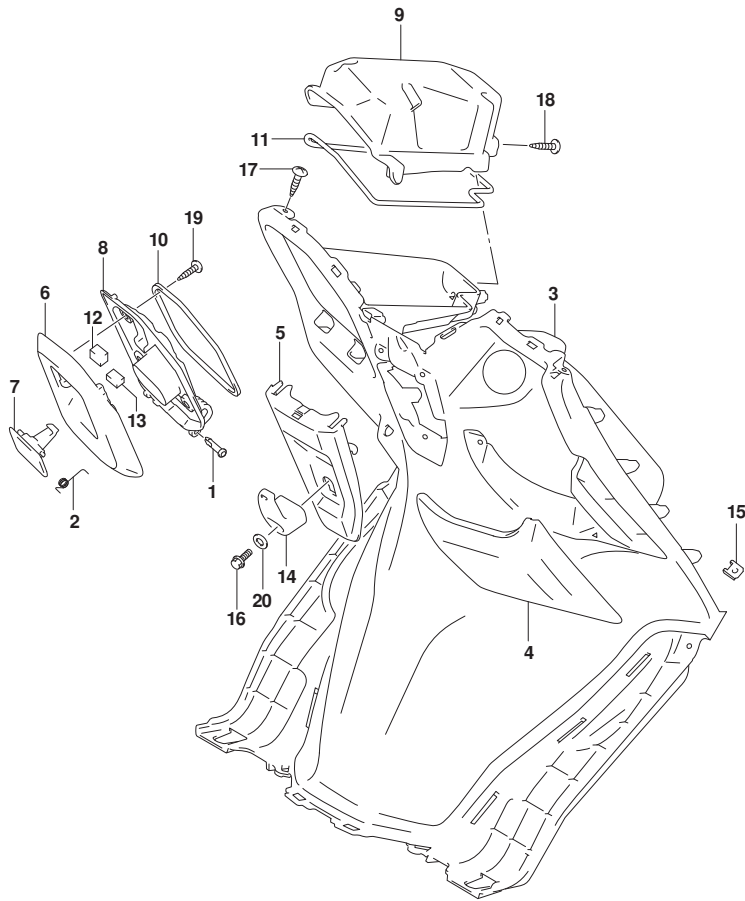


FIG.489A (1-E-7) FRONT BOX

REF NO.	PART NO.	DESCRIPTION	Q'TY	REMARKS
1	73423-50G00-000	PIN, GLOVE BOX HINGE	2	
2	73423-62D00-000	SPRING, GLOVE BOX LID	1	
3	92111-44K21-291	COVER, LEG SHIELD (BLACK)	1	
4	92112-44K01-291	RACK, LEG SHIELD (BLACK)	1	
5-1	92113-44K10-SAB	COVER, LEG SHIELD CENTER (SILVER)	1	FOR YPA
5-2	92113-44K01-PGZ	COVER, LEG SHIELD CENTER (GRAY)	1	FOR YKV
5-3	92113-44K10-PGZ	COVER, LEG SHIELD CENTER (GRAY)	1	FOR YWC
6	92151-44K01-291	LID, FRONT PANEL (BLACK)	1	
7	92152-44K00-000	LOCK, FRONT PANEL BOX	1	
8	92153-44K00-000	LID, FRONT PANEL INNER	1	
9	92154-44K01-000	BOX, FRONT PANEL	1	
10	92155-44K00-000	CUSHION, FRONT BOX NO.1	1	
11	92156-44K00-000	CUSHION, FRONT BOX NO.2	1	
12	92157-44K00-000	CUSHION, FRONT BOX NO.3	1	
13	92158-44K00-000	CUSHION, FRONT BOX NO.4	1	
14	92171-08K00-291	HOOK, LEG SHIELD (BLACK)	1	
15	09148-05060-000	NUT (M5)	2	
16	92172-44K00-000	BOLT, LEG SHIELD HOOK	1	
17	03541-0516A-000	SCREW	8	
18	03541-0516A-000	SCREW	3	
19	03541-0516A-000	SCREW	4	
20	08322-0106A-000	WASHER	1	

FIG.496A

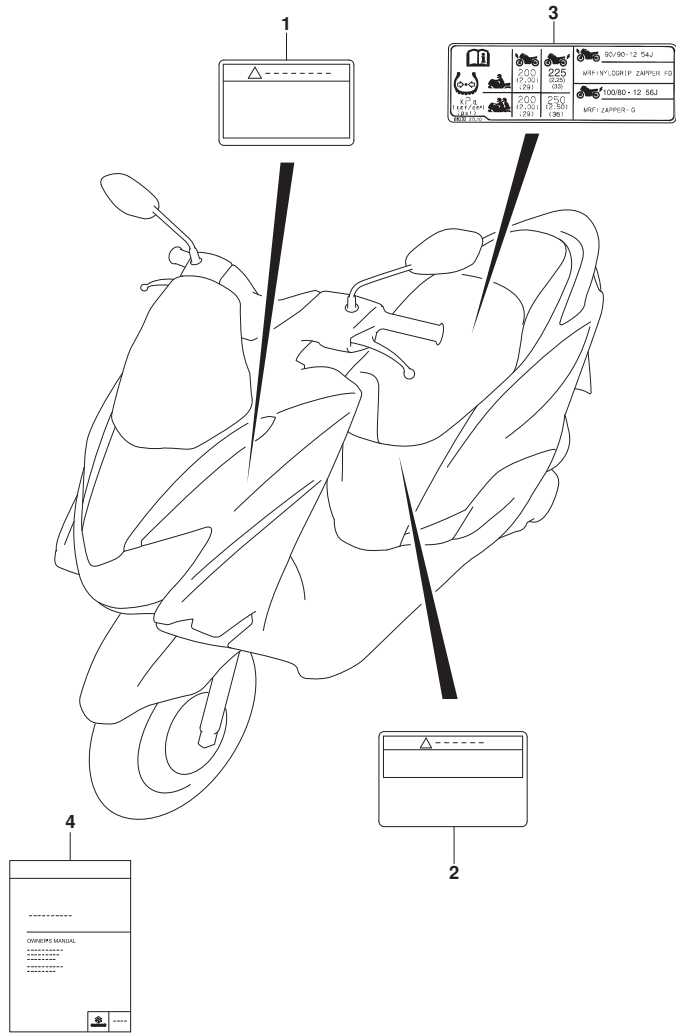


FIG.496A (1-E-8) LABEL

REF NO.	PART NO.	DESCRIPTION	Q'TY	REMARKS
1	68319-39J00-000	LABEL, GENERAL WARNING	1	
2	68911-44K00-000	LABEL, LOADING CAPACITY	1	
3	68332-27L10-000	LABEL, TIRE INFORMATION	1	
4	99011-27L20-08A	MANUAL, OWNER'S	1	

FIG.505A

FIG.505A (1-E-9) SEAT

REF NO.	PART NO.	DESCRIPTION	QTY	REMARKS
1	45100-44K40-CJP	SEAT ASSY (BLACK/RED)	1	
2	45148-20GB0-000	.CUSHION, SEAT MOUNT	2	
3	45148-20GJ0-000	.CUSHION, SEAT MOUNT	2	
4	45271-32G10-000	PLATE, SEAT HINGE	1	
5	03541-0516A-000	SCREW	1	
6	45211-44K00-000	MOLDING, SEAT	1	
7	45700-33G40-000	BRACKET, STRIKER SUPPORT	1	
8	02112-0612A-000	SCREW	2	
9	45280-44K10-000	CABLE, SEAT LOCK	1	
10	09407-19L01-000	CLAMP (L:190)	2	
11	09407-14L01-000	CLAMP (L:125)	1	
12	46211-27L00-YVB	HANDLE, PILLION RIDER (BLACK)	1	
13	01550-0825A-000	BOLT	3	

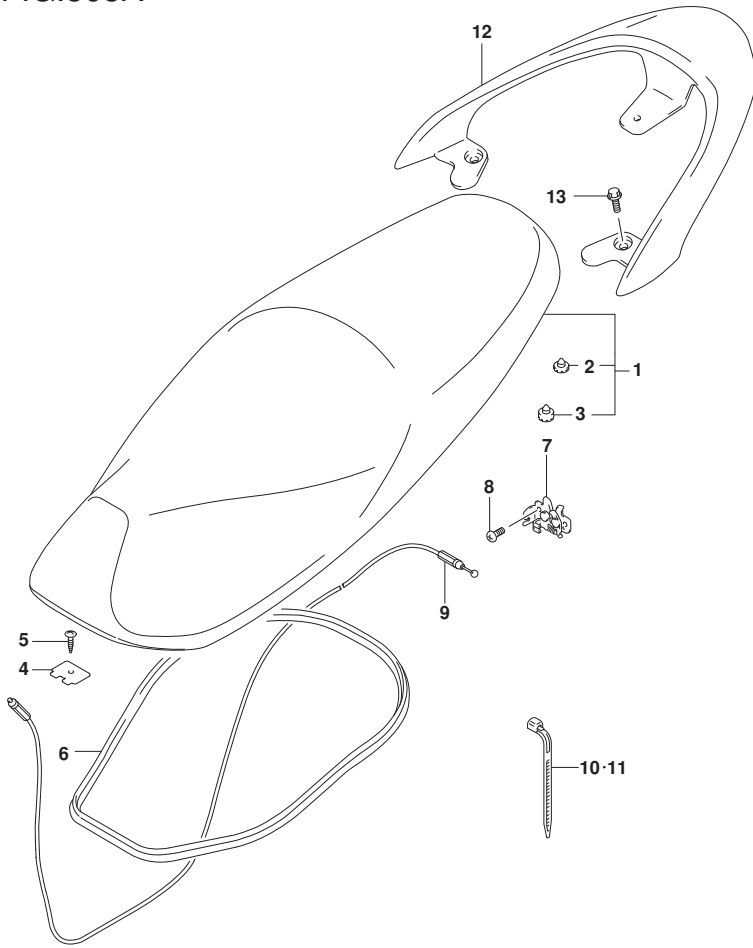


FIG.521A

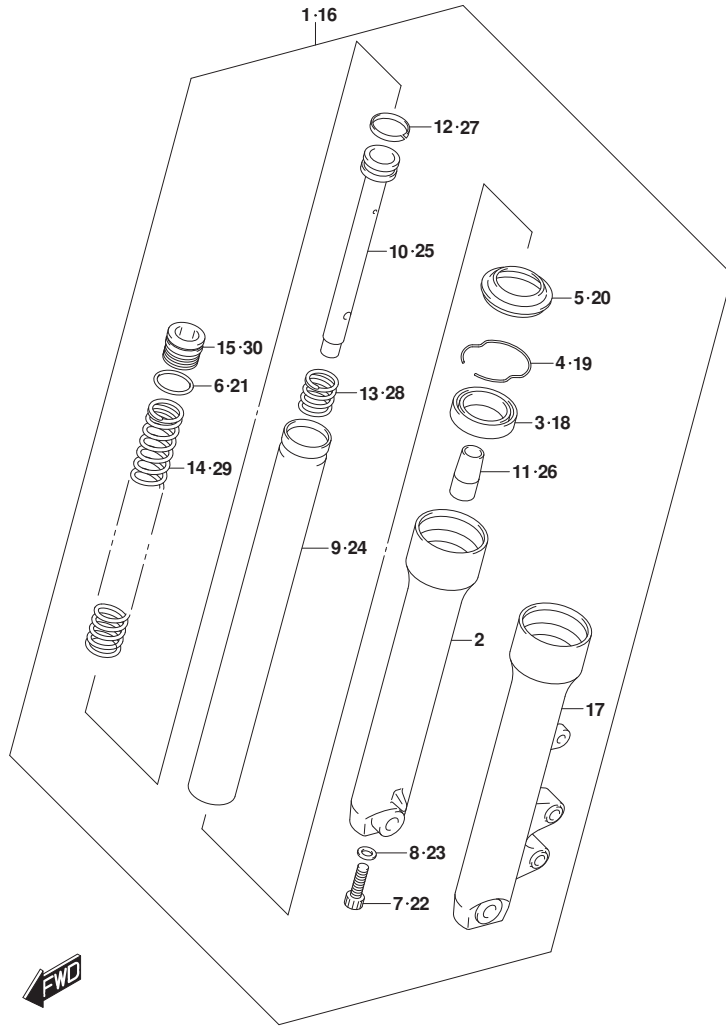


FIG.521A (1-E-10) FRONT FORK DAMPER

REF NO.	PART NO.	DESCRIPTION	Q'TY	REMARKS
1	51103-27L00-291	DAMPER ASSY, FRONT FORK RH (BLACK)	1	
2	51131-44K00-291	.TUBE, OUTER RH (BLACK)	1	
3	51153-08K10-000	.OIL SEAL	1	
4	51156-33G10-000	.RING, SNAP	1	
5	51173-33G10-000	.SEAL, DUST	1	
6	51117-33G10-000	.O RING	1	
7	51147-33G10-000	.BOLT	1	
8	51148-33G10-000	.GASKET	1	
9	51110-08K10-000	.TUBE, INNER	1	
10	51146-27L00-000	.CYLINDER, FRONT FORK	1	
11	51195-33G50-000	.OIL LOCK PIECE	1	
12	51196-33G10-000	.RING, PISTON	1	
13	51177-33G10-000	.SPRING, REBOUND	1	
14	51171-27L00-000	.SPRING, FRONT FORK	1	
15	51351-33G10-000	.BOLT	1	
16	51104-27L00-291	DAMPER ASSY, FRONT FORK LH (BLACK)	1	
17	51141-44K00-291	.TUBE, OUTER LH (BLACK)	1	
18	51153-08K10-000	.OIL SEAL	1	
19	51156-33G10-000	.RING, SNAP	1	
20	51173-33G10-000	.SEAL, DUST	1	
21	51117-33G10-000	.O RING	1	
22	51147-33G10-000	.BOLT	1	
23	51148-33G10-000	.GASKET	1	
24	51110-08K10-000	.TUBE, INNER	1	
25	51146-27L00-000	.CYLINDER, FRONT FORK	1	
26	51195-33G50-000	.OIL LOCK PIECE	1	
27	51196-33G10-000	.RING, PISTON	1	
28	51177-33G10-000	.SPRING, REBOUND	1	
29	51171-27L00-000	.SPRING, FRONT FORK	1	
30	51351-33G10-000	.BOLT	1	

FIG.524A

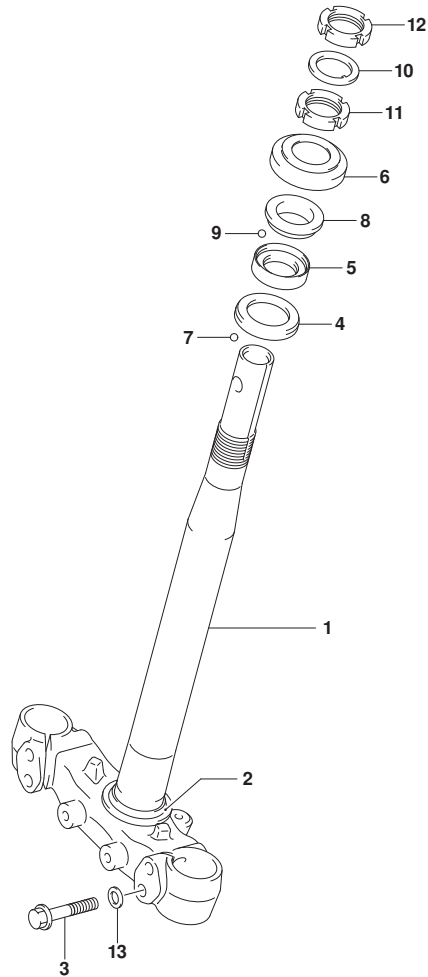


FIG.524A (1-E-11) STEERING STEM

REF NO.	PART NO.	DESCRIPTION	Q'TY	REMARKS
1	51410-08K10-000	BRACKET, FRONT FORK LOWER	1	
2	51622-41H00-000	RACE	1	
3	51434-08K10-000	BOLT, FR FORK INNER TUBE CLAMP	4	
4	51612-41H01-000	RACE, STEERING INNER LOWER	1	
5	51611-41H01-000	RACE, STEERING INNER UPPER	1	
6	51643-06001-000	DUST SEAL, STEERING UPR	1	
7	06111-06004-000	BALL	28	
8	51621-41H00-000	RACE, STEERING OUTER UPR	1	
9	06111-06004-000	BALL	23	
10	09166-24001-000	WASHER (24.5X34X2.3)	1	
11	51631-05000-000	NUT	1	
12	51631-05000-000	NUT	1	
13	51435-33G10-000	WASHER	4	



FIG.530A

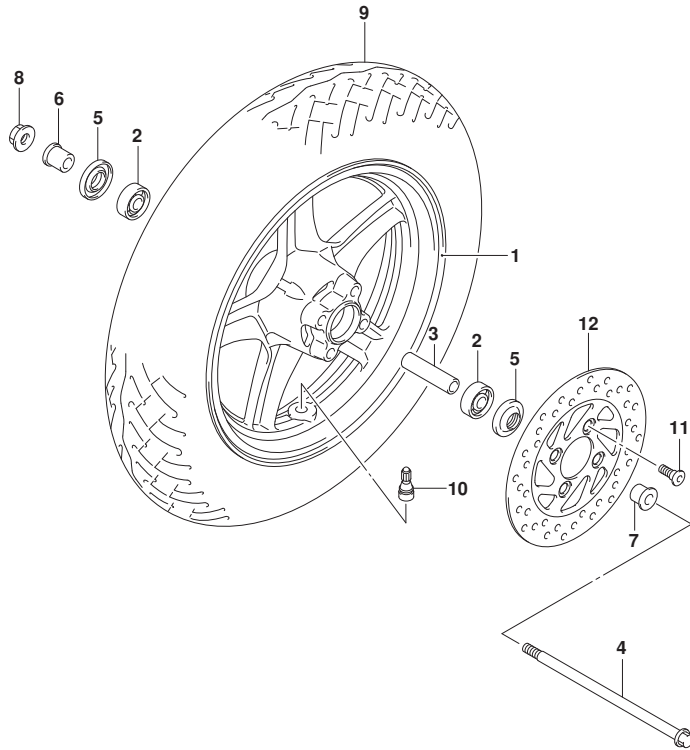


FIG.530A (1-E-12) FRONT WHEEL

REF NO.	PART NO.	DESCRIPTION	Q'TY	REMARKS
1-1	54111-08K51-019	WHEEL, FRONT (12X2.15) (BLACK)	1	JF
1-2	54111-08K90-019	WHEEL, FRONT (12X2.15) (BLACK)	1	ZCW
2	08133-6300B-000	BEARING	2	
3	54731-02L00-000	SPACER, FR HUB BEARING	1	
4	54711-11F00-000	AXLE, FR	1	
5	54841-23J00-000	SEAL, FR HUB DUST (17X38X5)	2	
6	54741-02L00-000	SPACER, FR AXLE RH	1	
7	54751-02L00-000	SPACER, FR AXLE LH	1	
8	64147-33G10-000	NUT, FR HUB	1	
9	55110-08K02-000	TIRE (90/90-12 54J)	1	NYLOGRIP ZAPPER-FG TL,MRF
10	43130-24A70-000	VALVE ASSY, WHEEL RIM (TR412)	1	
11	59218-34J30-000	BOLT, FRONT BRAKE DISC	4	
12	59221-08K01-000	DISC, FRONT BRAKE LH	1	



FIG.535A

FIG.535A (1-E-13) FRONT CALIPER

REF NO.	PART NO.	DESCRIPTION	Q'TY	REMARKS
1	59300-08K50-000	CALIPER ASSY, FRONT	1	
2	59300-08860-000	.PISTON SET	1	
3	59100-38860-000	..SEAL SET, PISTON	1	
4	59121-01A00-000	.BLEEDER	1	
5	59122-01A00-000	.CAP, BLEEDER	1	
6	59145-37F00-000	.RING, STOPPER	1	
7	59300-08850-000	.PAD SET	1	
8	59303-14500-000	.BOOT	1	
9	59314-13A00-000	.WASHER	1	
10	59315-08K00-000	.SPRING, PAD	1	
11	59333-08K00-000	.RETAINER BRACKET	1	
12	59345-08K00-000	.PIN HANGER	1	
13	59351-08K00-000	.BRACKET FR	1	
14	59382-13A00-000	.BOLT	1	
15	59386-13A00-000	.BOOT	1	
16	59387-08K00-000	.BOLT	1	
17	59388-41HA0-000	.NUT	1	
18	01550-0825A-000	BOLT	2	

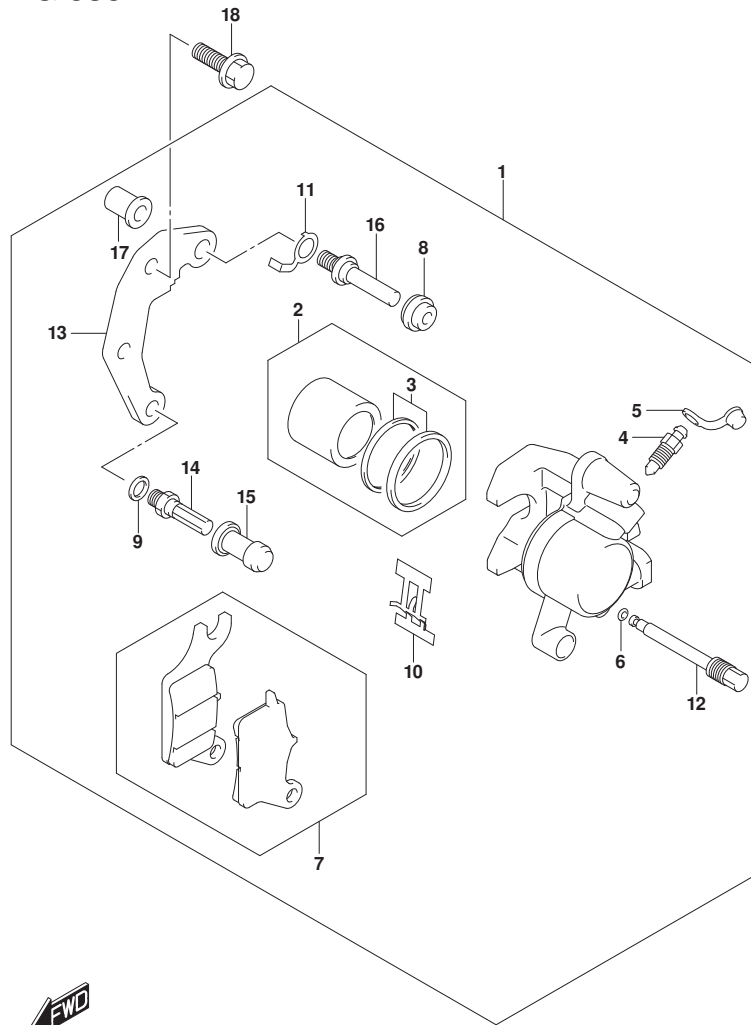


FIG.537A

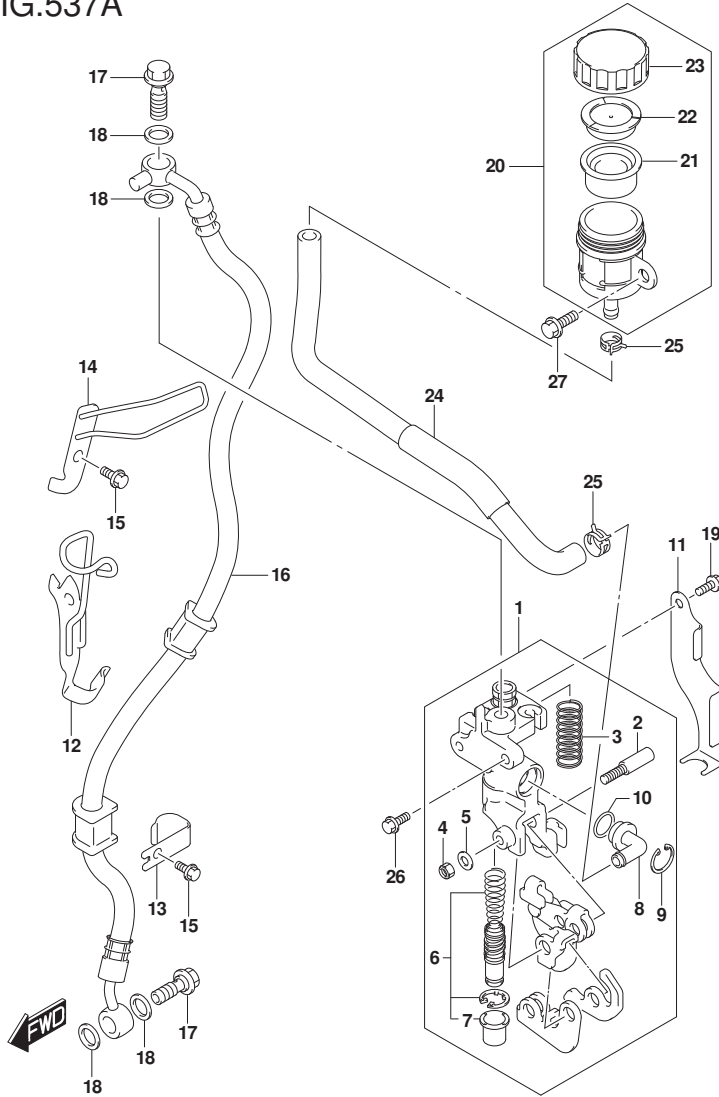


FIG.537A (1-E-14) FRONT MASTER CYLINDER

REF NO.	PART NO.	DESCRIPTION	Q'TY	REMARKS
1	55910-08K00-000	SUBUNIT, COMBINED BRAKE	1	
2	55925-40J00-000	.BOLT	1	
3	55935-40J00-000	.SPRING	1	
4	55936-40J00-000	.NUT	1	
5	55938-40J00-000	.WASHER	1	
6	59600-21810-000	.PISTON & CUP SET	1	
7	59666-44300-000	.BOOT	1	
8	69672-00B20-000	.CONNECTOR	1	
9	69674-00B20-000	.CIRCLIP	1	
10	69686-34200-000	.O RING	1	
11	55933-08K00-000	COVER, COMBINED BRAKE UNIT	1	
12	59260-08K20-000	CLAMP, FR BRAKE HOSE	1	
13	59267-08K00-000	CLAMP, BRAKE HOSE	1	
14	59270-27L00-000	GUIDE, FR BRAKE HOSE	1	
15	01547-0612A-000	BOLT	2	
16	59480-08K10-000	HOSE, FRONT BRAKE	1	
17	59492-30H30-000	BOLT, BRAKE FLUID	2	
18	09168-10033-000	WASHER (10.2X15X1.4)	4	
19	02142-0612A-000	SCREW	1	
20	59740-08K00-000	TANK ASSY, RESERVOIR	1	
21	69667-00B20-000	.DIAPHRAGM	1	
22	69668-00B20-000	.PLATE	1	
23	59669-08K00-000	.CAP	1	
24	59730-44K10-000	HOSE, RESERVOIR TANK	1	
25	59735-17C00-000	CLAMP, RESERVOIR TANK FR	2	
26	01550-0612A-000	BOLT	2	
27	01550-0616A-000	BOLT	1	

FIG.545A

FIG.545A (1-F-2) REAR SHOCK ABSORBER

REF NO.	PART NO.	DESCRIPTION	Q'TY	REMARKS
1	62100-08K10-000	ABSORBER ASSY, REAR SHOCK	1	
2	01550-1040A-000	BOLT	1	
3	01550-0835A-000	BOLT	1	

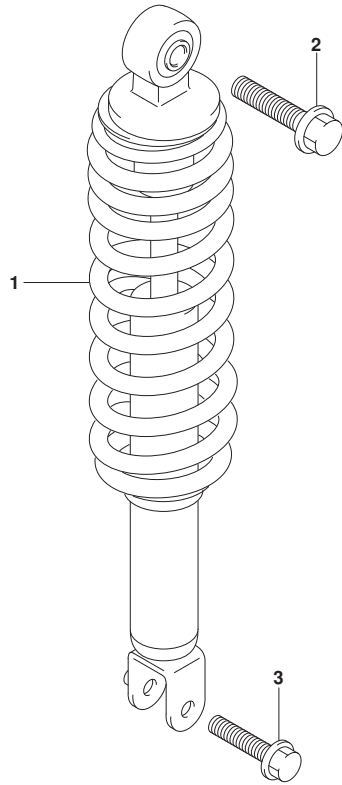


FIG.550A

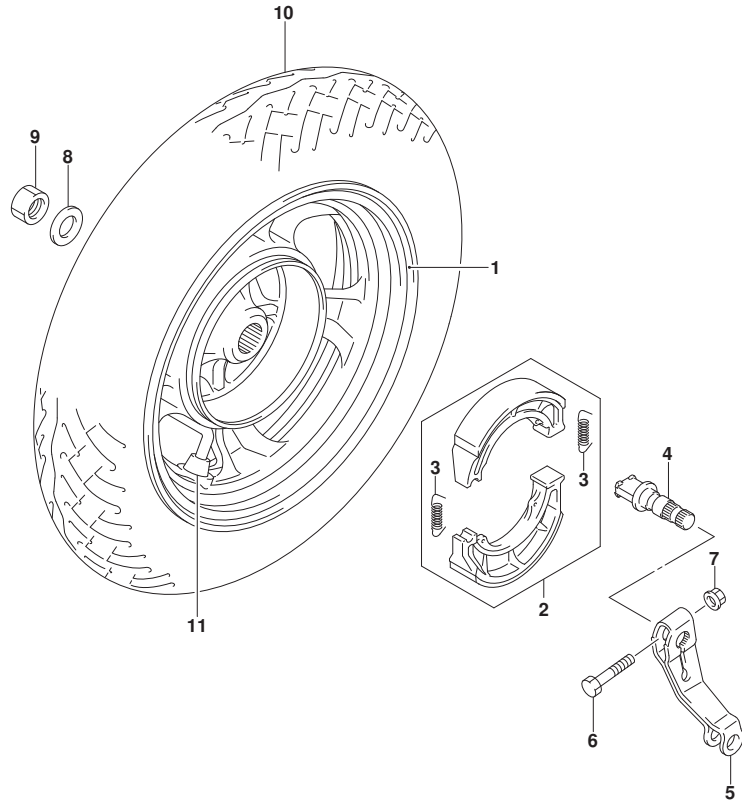


FIG.550A (1-F-3) REAR WHEEL

REF NO.	PART NO.	DESCRIPTION	Q'TY	REMARKS
1-1	64150-27L00-019	WHEEL, REAR (12X2.5) (BLACK)	1	JF
1-2	64150-27L10-019	WHEEL, REAR (12X2.5) (BLACK)	1	ZCW
2	64400-27L00-000	SHOE SET, REAR BRAKE	1	
3	65421-27L00-000	.SPRING	2	
4	64441-27L00-000	CAM, REAR BRAKE	1	
5	64451-09J80-000	LEVER, REAR BRAKE CAM	1	
6	09100-06139-000	BOLT (6X31)	1	
7	08316-1006A-000	NUT	1	
8	64723-39J00-000	WASHER, REAR AXLE	1	
9	08319-2116A-000	NUT	1	
10	65110-27L10-000	TIRE, REAR (100/80-12 56J)	1	ZAPPER-G TL,MRF
11	43130-41D90-000	VALVE ASSY, WHEEL RIM (PVR70)	1	



PART NO.	FIG.NO.-REF.NO.	PART NO.	FIG.NO.-REF.NO.	PART NO.	FIG.NO.-REF.NO.	
10000		12912-02L00-000	126A-15	16400-08K00-000	170A-2	
		12921-43J00-000	126A-16	16421-20E00-000	170A-3	
		12931-09G20-000	126A-17	16422-09J00-000	170A-6	
		12932-09G10-000	126A-18	16423-09J00-000	170A-7	
		12933-09G00-000	126A-19	16520-09J00-000	170A-9	
	11110-02L10-000	103A-1	12951-27L00-000	126A-7	16523-09J00-000	170A-10
	11141-35J00-000	103A-3	13111-02L00-000	140A-13	16525-09J00-000	170A-12
	11170-02L10-000	102A-1	13128-08K01-000	140A-15	16526-09J00-000	170A-11
	11173-02L00-000	102A-2	13295-02L00-000	140A-7	17110-27L00-000	181A-1
	11176-02L00-000	102A-3	13400-02L10-000	140A-1	17120-27L00-000	181A-3
	11177-08K00-000	102A-4	13417-02L00-000	140A-4	17122-27L00-000	181A-4
	11191-27E00-000	102A-6-1	13421-02L00-000	140A-5	17123-08K00-000	181A-5
	11191-27E70-000	102A-6-2	13438-09JA0-000	140A-3	17124-02L00-000	181A-11
	11210-02L20-0F0	107A-1	13602-02L00-000	140A-6	17130-27L00-000	181A-8
	11241-08K00-000	107A-2	13640-02L00-000	107A-7	18117-10K00-000	140A-2
11300-27890-000	108A-1	13700-02810-000	155A-6	18213-12K10-000	163A-19	
11315-09J01-000	108A-2	13700-27L10-000	155A-1	18560-02L00-000	427A-1	
11316-39J00-000	108A-3	13738-44K00-000	155A-14	18561-14L01-000	427A-2	
11323-27L00-000	108A-20	13740-02L20-000	155A-3	18563-14L00-000	427A-3	
11340-27L00-000	112A-1	13746-08K00-000	155A-4	18567-02L00-000	427A-4	
11346-08K00-000	112A-6		155A-7	18571-02L00-000	427A-5	
11383-39J10-000	112A-8	13755-54G00-000	155A-2	18572-02L00-000	427A-6	
11430-27810-000	108A-13	13825-08K00-000	155A-9	18573-02L00-000	427A-7	
11482-27L00-000	112A-2	13850-27L00-000	155A-13			
11484-27L00-000	108A-14	13856-02L10-000	155A-11			
11611-39J00-000	108A-7	13871-41H00-000	155A-10			
11971-09J10-000	108A-18	13891-08K00-000	155A-5			
12100-08K50-050	120A-9	14180-44K10-000	163A-15			
12111-08K00-0F0	120A-1-1	14181-30A30-000	163A-1			
12111-08K10-0F0	120A-1-2	14310-27L30-000	163A-2			
12140-08K50-000	120A-2	14760-44K01-000	163A-16	21111-33G50-000	210A-1	
12151-43J00-000	120A-3	14780-44K10-000	163A-3	21120-33G70-000	210A-2	
12200-27L00-000	120A-5	14782-44K00-000	163A-4	21125-33G00-000	210A-3	
12227-08K00-000	120A-8	14791-44K20-000	163A-17	21210-08K10-000	210A-4	
12710-27L00-000	126A-1	14795-10FA0-000	163A-18	21214-08K00-000	210A-15	
12714-34J10-000	126A-3	15100-02L13-000	172A-1	21215-08K10-000	210A-14	
12740-27L00-000	126A-2	15121-02L10-000	172A-4	21216-08K00-000	210A-17	
12742-27L00-000	126A-4	15201-02L00-000	172A-5	21220-08K10-000	210A-21	
12760-20G30-000	127A-1	15420-02L10-000	172A-2	21240-08K10-000	210A-5	
12771-27L00-000	127A-2	15424-09JB0-000	172A-3	21243-08K00-000	210A-6	
12811-27L00-000	127A-3	15710-02L00-000	140A-8	21245-09J00-000	210A-7	
12830-42K00-000	127A-6	15716-42J00-000	140A-9	21246-08K00-000	210A-8	
12836-42K00-000	127A-7	15722-02L00-000	140A-10	21247-08K00-000	210A-16	
12837-39J20-000	127A-8	15810-02L11-000	172A-6			
12840-43J10-000	126A-8	15830-02L00-000	140A-11	21248-08K00-000	210A-9	
12842-34J00-000	126A-9	15891-02L00-000	172A-7	21431-33G00-000	210A-18	
12843-27A70-000	126A-10	15892-02L00-000	172A-8	21471-08K00-000	210A-11	
12861-35J00-000	126A-11	15893-02L00-000	172A-9	21472-08K00-000	210A-10	
12871-35J10-000	126A-12	15894-02L00-000	172A-10	21481-08K00-000	210A-19	
12911-43J00-000	126A-14	16331-08K00-000	170A-1	21501-08K10-000	210A-12	

20000

PART NO.	FIG.NO.-REF.NO.	PART NO.	FIG.NO.-REF.NO.	PART NO.	FIG.NO.-REF.NO.
21518-09J00-000	210A-26	35650-44K00-000	339A-2	42310-02L10-000	407A-8
21650-08K10-000	210A-20	35710-44KA0-000	339A-1	42341-27K00-000	407A-11
24131-33G80-000	211A-1-1	35718-44K00-000	339A-4	42421-02L00-000	407A-9
24131-33G90-000	211A-1-2	35910-16GU1-000	339A-11	43130-24A70-000	530A-10
24141-27L00-000	211A-8	35912-30H01-000	339A-12	43130-41D90-000	550A-11
24142-08K10-000	211A-11	35913-30H00-000	339A-13	43611-44K10-000	415A-1
24150-27L00-000	211A-2	35917-30H00-000	339A-14	43621-44K10-000	415A-2
24371-27L00-000	211A-9	35926-30H00-000	339A-15	44100-44K40-000	420A-2
24741-20A10-000	103A-11	35950-20L00-000	460A-3	44210-44K10-000	420A-3
24751-09J00-000	211A-16	35970-28G00-000	339A-9	44240-13H00-000	427A-19
26200-39J00-000	240A-6	36610-27L00-000	350A-1	44261-44K00-000	420A-5
26210-08K00-000	240A-1	36851-02L01-000	420A-4	44281-02L00-000	420A-1
26212-46G00-000	240A-2	36990-70F20-000	350A-6	44434-44K10-000	427A-20
26213-39J00-000	240A-3-1	37100-08K10-000	352A-1	44894-39J10-000	427A-18
26213-39J20-000	240A-3-2	37152-30H00-000	352A-2	45100-44K40-CJP	505A-1
26231-27L00-000	210A-25	37155-08820-000	352A-4	45148-20GB0-000	505A-2
26300-08K00-000	240A-7	37360-02L10-000	350A-10	45148-20GJ0-000	505A-3
26314-33G30-000	240A-12	37420-02L11-000	350A-11	45211-44K00-000	505A-6
26351-08K00-000	240A-8	37510-33G11-000	350A-12	45271-32G10-000	505A-4
27601-27L00-000	210A-24	37520-33G11-000	350A-13	45280-44K10-000	505A-9
		37760-14L00-000	467A-11	45700-33G40-000	505A-7
			467A-19	46211-27L00-YVB	505A-12
		37840-02L11-000	350A-17	47111-44K01-YKV	445A-1-2
		38500-48G31-000	350A-14	47111-44K10-YPA	445A-1-1
		38610-23J10-000	335A-6-1	47111-44K10-YWC	445A-1-3
31497-27L00-000	304A-1	38610-27K01-000	335A-6-2	47121-44K01-Z91	445A-5
31800-27L00-000	312A-1	38860-76F01-000	350A-5	47131-44K01-PGZ	440A-6-2
31863-27L00-000	312A-2	39105-44K21-000	350A-16	47131-44K10-PGZ	440A-6-3
32101-27L00-000	304A-2			47131-44K10-SAB	440A-6-1
32102-27L00-000	304A-3			47211-44K01-YKV	445A-2-2
32108-27L00-000	304A-5			47211-44K10-YPA	445A-2-1
32832-27L00-000	312A-4			47211-44K10-YWC	445A-2-3
32960-27L01-000	312A-3			47231-44K01-PGZ	440A-7-2
33410-27L01-000	312A-6			47231-44K10-PGZ	440A-7-3
33510-08K00-000	312A-7			47231-44K10-SAB	440A-7-1
33541-08K00-000	312A-8	41100-27L00-000	401A-1	47311-44K01-YKV	445A-3-2
33542-08K01-000	312A-9	41170-09J10-000	401A-4	47311-44K10-YPA	445A-3-1
33620-41K10-000	310A-1	41180-02L00-000	401A-2	47311-44K10-YWC	445A-3-3
33624-23J00-000	350A-4	41184-39J00-000	401A-3	47353-44K00-000	445A-20
33652-29100-000	310A-3	41185-08K00-000	401A-8	47411-44K01-000	445A-4
33652-39J20-000	310A-2	41185-09J10-000	401A-7	47412-44K10-PGZ	445A-6-2
33652-43J00-000	310A-4	41189-39J00-000	401A-5	47412-44K10-SAB	445A-6-1
34100-14LD1-000	330A-1	41521-27L00-000	405A-2	48111-44K01-YKV	435A-1-2
34810-44K00-000	172A-15	41540-27L00-000	405A-1	48111-44K20-YPA	435A-1-1
34990-44K01-000	330A-4	41890-27L00-000	312A-12	48111-44K20-YWC	435A-1-3
35100-44K11-000	333A-1	42100-27L00-000	407A-1	48112-44K10-PGZ	435A-2-2
35157-34J00-000	474A-6	42211-39J00-000	407A-2	48112-44K10-SAB	435A-2-1
35182-44K00-000	333A-2	42251-32G00-000	407A-5	48113-44K10-PGZ	435A-3-2
35601-44KA0-000	335A-1	42275-25J00-000	407A-3	48113-44K10-SAB	435A-3-1
35602-44KA0-000	335A-3	42278-44K00-000	407A-7	48114-44K01-000	435A-4

30000

40000

PART NO.	FIG.NO.-REF.NO.	PART NO.	FIG.NO.-REF.NO.	PART NO.	FIG.NO.-REF.NO.
48115-27L10-000	440A-3		521A-26	57500-02L00-000	467A-13
48119-44K00-000	435A-15	51196-33G10-000	521A-12	57511-02L00-000	467A-14
48121-44K11-291	440A-1		521A-27	57523-39J10-000	467A-5
48131-44K40-000	438A-3	51351-33G10-000	521A-15	57621-02L00-000	467A-15
48132-44K01-YKV	438A-1-2		521A-30	58110-44K02-000	462A-9
48132-44K10-YPA	438A-1-1	51358-09G00-000	462A-4	58300-44K30-000	462A-10
48132-44K10-YWC	438A-1-3	51410-08K10-000	524A-1	58300-44K40-000	462A-11
48133-44K01-YKV	438A-2-2	51434-08K10-000	524A-3	58510-27L00-000	462A-15
48133-44K10-YPA	438A-2-1	51435-33G10-000	524A-13	58510-44K01-000	462A-14
48133-44K10-YWC	438A-2-3	51611-41H01-000	524A-5	58562-08K00-000	462A-16
48211-44K02-YKV	435A-5-2	51612-41H01-000	524A-4	58575-39J00-000	462A-19
48211-44K10-YPA	435A-5-1	51621-41H00-000	524A-8	58577-27L00-000	462A-24
48211-44K10-YWC	435A-5-3	51622-41H00-000	524A-2	58577-39J10-000	462A-21-1
48221-44K02-YKV	435A-6-2	51631-05000-000	524A-11	58577-39J20-000	462A-21-2
48221-44K10-YPA	435A-6-1		524A-12	58620-02L20-000	462A-22
48221-44K10-YWC	435A-6-3	51643-06001-000	524A-6	59100-38860-000	535A-3
		53111-44K10-YKV	460A-1-2	59121-01A00-000	535A-4
		53111-44K40-YPA	460A-1-1	59122-01A00-000	535A-5
		53111-44K40-YWC	460A-1-3	59145-37F00-000	535A-6
		53122-27L00-000	474A-8	59218-34J30-000	530A-11
		54111-08K51-019	530A-1-1	59221-08K01-000	530A-12
		54111-08K90-019	530A-1-2	59260-08K20-000	537A-12
		54711-11F00-000	530A-4	59267-08K00-000	537A-13
		54731-02L00-000	530A-3	59270-27L00-000	537A-14
		54741-02L00-000	530A-6	59300-08850-000	535A-7
		54751-02L00-000	530A-7	59300-08860-000	535A-2
		54841-23J00-000	530A-5	59300-08K50-000	535A-1
		55110-08K02-000	530A-9	59303-14500-000	535A-8
		55110-08K10-000	537A-1	59314-13A00-000	535A-9
		55117-33G10-000	537A-2	59315-08K00-000	535A-10
		55131-44K00-291	537A-11	59333-08K00-000	535A-11
		55141-44K00-291	537A-2	59345-08K00-000	535A-12
		55146-27L00-000	537A-4	59351-08K00-000	535A-13
		55146-27L00-000	537A-5	59382-13A00-000	535A-14
		55110-27L00-000	462A-1	59386-13A00-000	535A-15
		55147-33G10-000	462A-2	59387-08K00-000	535A-16
		55148-33G10-000	463A-1	59388-41HA0-000	535A-17
		55148-33G10-000	463A-2	59480-08K10-000	537A-16
		55148-33G10-000	463A-3	59492-30H30-000	537A-17
		55153-08K10-000	463A-3-1	59600-21810-000	537A-6
		55153-08K10-000	463A-2	59666-44300-000	537A-7
		55156-33G10-000	462A-7	59669-08K00-000	537A-23
		55171-27L00-000	462A-8	59730-44K10-000	537A-24
		55171-27L00-000	467A-2	59735-17C00-000	537A-25
		55171-27L00-000	467A-1	59740-08K00-000	537A-20
		55173-33G10-000	467A-12		
		55173-33G10-000	467A-4		
		55177-33G10-000	467A-7		
		55195-33G50-000	467A-8		
		55195-33G50-000	467A-16		

50000

60000

PART NO.	FIG.NO.-REF.NO.	PART NO.	FIG.NO.-REF.NO.	PART NO.	FIG.NO.-REF.NO.
62100-08K10-000	545A-1	92111-44K21-291	489A-3		312A-13
63111-27L00-000	474A-1	92112-44K01-291	489A-4		537A-15
63112-27L00-000	474A-3	92113-44K01-PGZ	489A-5-2	01547-0620A-000	127A-9
63114-08K00-000	474A-10	92113-44K10-PGZ	489A-5-3		140A-12
63118-41K00-000	474A-9	92113-44K10-SAB	489A-5-1		312A-10
63167-44K00-000	474A-4	92114-44K01-PGZ	435A-19-2		467A-10
63411-27L00-000	474A-5	92114-44K10-PGZ	435A-19-3		467A-18
64147-33G10-000	462A-6	92114-44K10-SAB	435A-19-1	01547-0625A-000	112A-4
	530A-8	92151-44K01-291	489A-6		170A-5
	550A-1-1	92152-44K00-000	489A-7		181A-6
64150-27L00-019	550A-1-2	92153-44K00-000	489A-8		181A-9
64150-27L10-019	550A-2	92154-44K01-000	489A-9		312A-5
64400-27L00-000	550A-2	92155-44K00-000	489A-10	01547-0630A-000	108A-16
64441-27L00-000	550A-4	92156-44K00-000	489A-11		108A-21
64451-09J80-000	550A-5	92157-44K00-000	489A-12	01547-0645A-000	108A-17
64723-39J00-000	550A-8	92158-44K00-000	489A-13	01547-0655A-000	108A-5
65110-27L10-000	550A-10	92170-33G60-291	456A-4	01547-0680A-000	170A-8
65421-27L00-000	550A-3	92171-08K00-291	489A-14	01547-0690A-000	112A-5
68131-44K00-000	445A-7	92172-44K00-000	489A-16	01547-0695A-000	108A-6
68132-27L00-BYC	445A-9-1	92178-33G50-000	456A-5	01550-0510A-000	462A-12
68132-27L00-CKR	445A-9-2	92180-08K01-000	456A-6	01550-0512A-000	126A-13
68136-27L00-000	440A-8	92211-44K10-000	456A-1	01550-0612A-000	181A-2
68141-27K00-AB4	445A-10	92212-27L00-000	456A-3		350A-15
68141-44K00-000	445A-8	94421-27L00-291	435A-8		420A-7
68281-44K00-000	463A-4	94611-44K00-000	454A-1		438A-7
68319-39J00-000	496A-1	94619-44K00-000	454A-2		456A-2
68332-27L10-000	496A-3	94671-44K11-000	435A-9		474A-2
68641-33G00-000	435A-7	96412-33G50-000	456A-11		537A-26
68911-44K00-000	496A-2	96414-33G70-000	456A-12	01550-0616A-000	163A-6
69667-00B20-000	537A-21	96511-44K00-000	456A-10		537A-27
69668-00B20-000	537A-22	96513-23J40-000	456A-13	01550-0616B-000	163A-22
69672-00B20-000	537A-8	96514-23J20-000	456A-15	01550-0620A-000	350A-18
69674-00B20-000	537A-9	99011-27L20-08A	496A-4	01550-0812A-000	107A-6
69686-34200-000	537A-10				108A-10
					108A-12
				01550-0825A-000	505A-13
					535A-18
				01550-0835A-000	405A-3
					545A-3
				01550-1040A-000	163A-7
					545A-2
73423-50G00-000	489A-1	01421-0616A-000	163A-5		545A-2
73423-62D00-000	489A-2	01421-0625A-000	103A-9	02112-0510A-000	102A-7
		01547-0610A-000	172A-12	02112-0525A-000	467A-3
			172A-13	02112-0612A-000	103A-12
			172A-14		505A-8
			427A-15	02112-3510A-000	352A-5
			462A-20	02122-0616A-000	211A-17
			462A-23	02122-0630B-000	462A-3
		01547-0612A-000	112A-7	02142-0510B-000	462A-13
			304A-6	02142-0512A-000	456A-7

70000

00000

90000

PART NO.	FIG.NO.-REF.NO.	PART NO.	FIG.NO.-REF.NO.	PART NO.	FIG.NO.-REF.NO.
	463A-9		550A-7	09160-06151-000	163A-10
02142-0612A-000	537A-19	08316-1008A-000	103A-4		440A-10
03211-04203-000	339A-17	08316-1010A-000	108A-8	09160-08164-000	103A-5
03541-0416A-000	330A-2	08316-1012A-000	304A-7	09160-14053-000	240A-4
03541-0416B-000	463A-8	08319-2105A-000	467A-9	09166-24001-000	524A-10
03541-0512A-000	427A-16		467A-17	09168-06004-000	127A-5
03541-0516A-000	181A-7	08319-2116A-000	550A-9	09168-08008-000	107A-5
	181A-10	08319-3110A-000	401A-6		108A-9
	333A-6		407A-10		108A-11
	335A-5	08322-0106A-000	352A-3	09168-10033-000	537A-18
	339A-8		489A-20	09180-06256-000	163A-11
	435A-16	08331-31149-000	240A-5	09180-06343-000	163A-12
	435A-18	08331-31249-000	211A-10	09181-25051-000	211A-12
	435A-21	08332-11059-000	170A-4	09200-08077-000	415A-3
	438A-8	08341-31039-000	304A-8	09206-08008-000	108A-15
	440A-5	09100-06139-000	550A-6		112A-3
	445A-17	09103-06247-000	127A-4		126A-5
	445A-18	09103-06501-000	103A-6	09206-10014-000	108A-4
	445A-19	09103-10126-000	462A-5	09206-10016-000	103A-7
	456A-8	09108-08302-000	107A-3		107A-4
	456A-9	09111-06072-000	440A-2	09209-11002-000	462A-17
	463A-10	09111-06102-000	474A-7	09251-04004-000	427A-8
	489A-17	09111-06106-000	405A-4	09261-05005-000	126A-6
	489A-18	09111-06109-000	460A-2	09262-12034-000	211A-6
	489A-19	09111-06110-000	333A-3	09262-12035-000	211A-7
	505A-5	09116-06103-000	155A-15	09262-20151-000	211A-3-3
03541-0516B-000	435A-17	09119-06138-000	102A-5	09262-20158-000	211A-3-2
	440A-9	09139-06198-000	163A-21	09262-20171-000	211A-3-1
	463A-7	09139-06217-000	163A-20	09262-22041-000	211A-15
03541-0520A-000	339A-19	09140-12055-000	210A-13	09262-35107-000	120A-6
	456A-14		210A-22	09280-17003-000	108A-19
03541-0525A-000	155A-12	09148-05060-000	339A-5	09280-26017-000	140A-16
04111-2515A-000	415A-4		435A-10	09283-20069-000	211A-4
04111-3020A-000	407A-4		435A-11	09283-20074-000	120A-7
06111-06004-000	524A-7		435A-12	09283-29007-000	211A-13
	524A-9		435A-13	09289-05019-000	126A-20
06111-07004-000	415A-6		438A-4	09320-08018-000	333A-4
06112-07004-000	240A-11		438A-5	09320-08082-000	163A-14
07130-0616A-000	330A-5		440A-4	09320-08L02-000	163A-13
07130-0625A-000	140A-14		445A-11	09320-09016-000	454A-3
07130-0630B-000	304A-4		445A-12	09352-70114-510	420A-6
08110-6202A-000	211A-5		445A-13	09381-10004-000	103A-2
08110-62030-000	211A-14		445A-14	09381-12001-000	120A-4
08133-6300B-000	530A-2		463A-5	09383-08002-000	240A-9
08211-12223-000	210A-23		489A-15	09401-08001-000	427A-9
	210A-27	09150-06010-000	462A-18	09401-09101-000	427A-10
08316-1005A-000	339A-10	09160-04026-000	330A-3		427A-11
08316-1006A-000	103A-10	09160-05013-000	467A-6	09401-09406-000	427A-17
	163A-8	09160-05501-000	339A-18	09401-09L03-000	427A-21
	460A-4	09160-06028-000	163A-9	09401-10401-000	427A-12

PART NO.	FIG.NO.-REF.NO.	PART NO.	FIG.NO.-REF.NO.	PART NO.	FIG.NO.-REF.NO.
09401-12418-000	155A-8				
09401-13102-000	427A-13				
09402-42001-000	112A-10				
09402-46209-000	112A-9				
09404-06429-000	172A-11				
	181A-12				
	339A-6				
	350A-19				
09407-14407-000	350A-20				
09407-14408-000	304A-9				
09407-14L01-000	350A-7				
	505A-11				
09407-15L01-000	333A-5				
	339A-7				
	350A-8				
09407-19L01-000	505A-10				
09407-29L01-000	350A-9				
09408-00343-000	427A-14				
09408-00349-000	172A-16				
	312A-11				
09409-06346-000	435A-20-2				
	438A-6-2				
	445A-15-2				
09409-06L07-000	435A-20-1				
	438A-6-1				
	445A-15-1				
09409-08014-000	435A-14-2				
	445A-16-2				
	463A-6-2				
09409-08L09-000	435A-14-1				
	445A-16-1				
	463A-6-1				
09440-05003-000	415A-5				
09440-05005-000	240A-10				
09443-17026-000	407A-6				
09471-12216-000	339A-16				
09471-12226-000	335A-2				
	335A-4				
	339A-3				
	339A-3				
09481-10501-000	350A-2				
09481-20501-000	350A-3				
09482-00645-000	103A-8				