

# SUZUKI

## PARTS CATALOGUE

# DL650A/XAM2

(JS1C733A)

DL650A  
DL650XA



E01

2021-6

1<sup>ST</sup> EDITION

## PREFACE

When it becomes necessary to replace parts on SUZUKI MOTORCYCLES, always use SUZUKI GENUINE PARTS which have passed a strict inspection which guarantees quality and performance.

This parts catalogue covers the list of all service parts for SUZUKI DL650AM2, DL650XAM2.

### INSTRUCTIONS FOR QUOTING THE CATALOGUE

#### 1. DIMENSIONS

Dimensions of the parts in this catalogue are indicated in unit millimeters.

#### 2. ABBREVIATIONS

Abbreviations used in this catalogue are as follows:

AR	: As required	NT	: Number of teeth
ASSY	: Assembly	OPT	: Optional
E. NO.	: Engine number	OS	: Over size
F. NO.	: Frame number	STD	: Standard
D	: Diameter of material	T	: Thickness
ID	: Inside diameter	US	: Under size
OD	: Outside diameter	W	: Width
L	: Length		
LH	: Left hand side		
RH	: Right hand side		
~100045	: Up to F. NO. 100045		
100046~	: From F. NO. 100046		
12 x 34 x 5.6	..... Figures in the description column		
	show the dimensions of parts.		
ID OD T	(or W, L)		

→12345-56781 (Parts No.) : indicates that the parts number was changed to 12345-56781 and the new parts are interchangeable with the former ones but the former ones are not interchangeable with new ones.

←12345-56781 (Parts No.) : indicates that the former and new parts are interchangeable with each other and both are usable.

#### 3. INNER PARTS OF ASSEMBLY

Part name with a dot (.) in front as shown in the description column indicates the component of the assembly also available individually.

#### 4. MODIFICATION NOTICE

A parts bulletin will be sent to you on all occasions when changes in parts occur, including interchangeable modifications between new parts and old ones.

#### 5. NOTE

- 5-1. There are some different parts from those of production models among spare parts for the administrative reasons and common use of them with other models.
- 5-2. In respect of rubber hoses and vinyl tubes, please be sure to use them by cutting off according to the length mentioned on parts catalogue or what is actually required on the vehicle.
- 5-3. Note that the drawings on the illustration page are for ready reference of spare parts number, not to be used as an assembly manual. When assembling, use "SUZUKI SERVICE MANUAL".

#### 6. SPECIFICATION CODE

This catalogue contains the parts for the model designed for the following spec. ;  
spec. code : E01

#### 7. SERIAL FRAME NUMBER

DL650AM2 : JS1C733AZN7  
DL650XAM2 : JS1C733AZN7

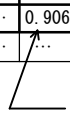


MILLIMETER → INCH CONVERSION CHART

	0	1	2	3	4	5	6	7	8	9
00	.000	.039	.079	.118	.157	.197	.236	.276	.315	.354
10	.394	.433	.472	.512	.551	.591	.630	.669	.709	.748
20	.787	.827	.866	.906	.945	.984	1.024	1.063	1.102	1.142
30	1.181	1.220	1.260	1.299	1.339	1.378	1.417	1.457	1.496	1.535
40	1.575	1.614	1.654	1.693	1.732	1.772	1.811	1.850	1.890	1.929
50	1.969	2.008	2.047	2.087	2.126	2.165	2.205	2.214	2.283	2.323
60	2.362	2.402	2.441	2.480	2.520	2.559	2.598	2.638	2.677	2.717
70	2.756	2.795	2.835	2.874	2.913	2.953	2.992	3.031	3.071	3.110
80	3.150	3.189	3.228	3.268	3.307	3.346	3.386	3.425	3.465	3.504
90	3.543	3.583	3.622	3.661	3.701	3.740	3.780	3.819	3.858	3.898

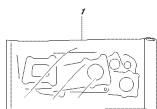
How to read

	0	1	2	3	4
00	...	...	...	...	...
10	...	...	...	...	...
20	...	...	...	0.906	...
30	...	...	...	...	...


 23 millimeters equal 0.906 inch

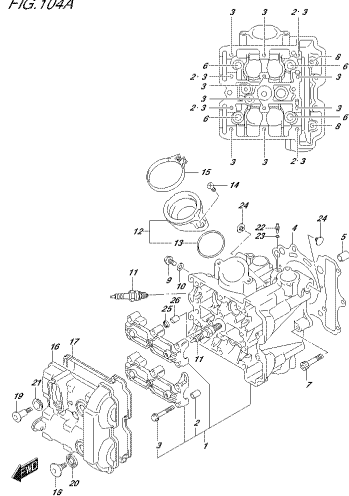
Contents are subject to change without notice or obligation.

FIG. 101A



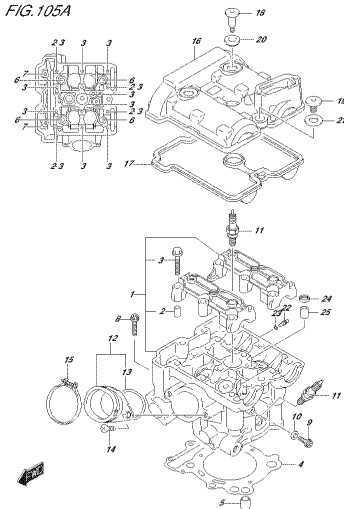
23.65214AB, EPL 101A  
GASKET SET

FIG. 104A



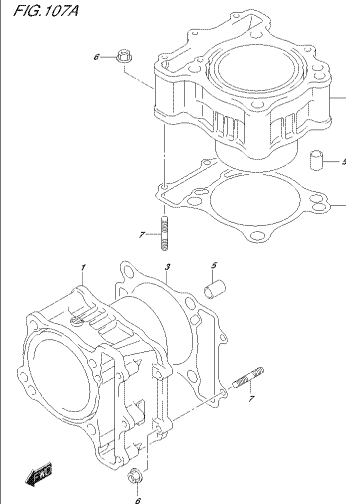
23.65214AB, EPL 104A  
EVLUESERKÖR (BODY)

FIG. 105A



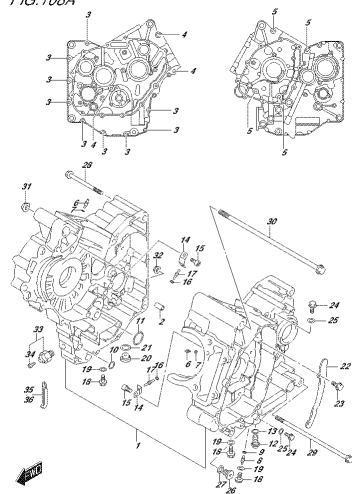
23.65214AB, EPL 105A  
EVLUESERKÖR (BODY)

FIG. 107A



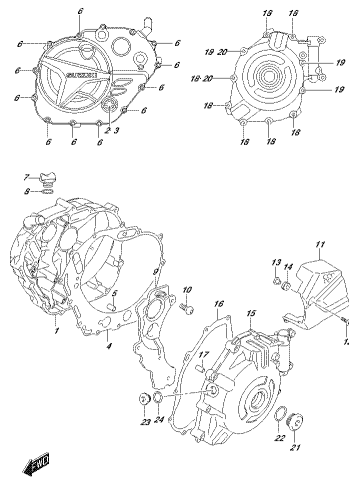
23.65214AB, EPL 107A  
EVLUESER

FIG. 108A



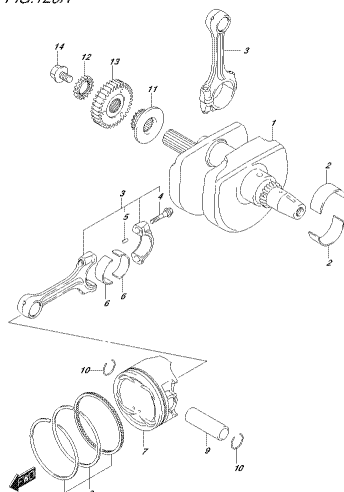
23.65214AB, EPL 108A  
CRANKKASSE

FIG. 112A



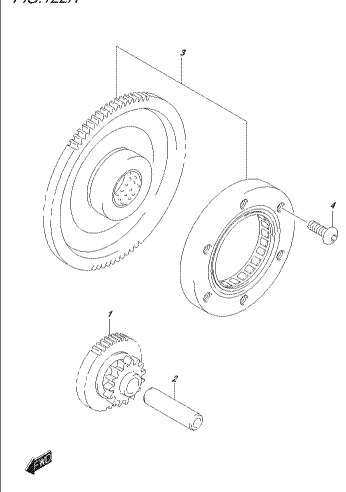
23.65214AB, EPL 112A  
CRANKKASSE COVER

FIG. 120A



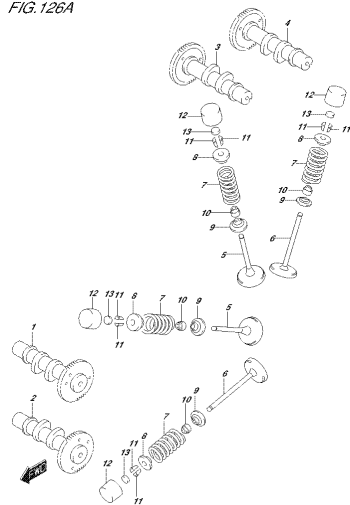
23.65214AB, EPL 120A  
CRANKSCHWIF

FIG. 122A



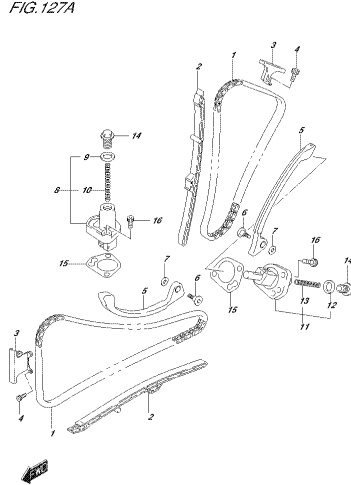
23.65214AB, EPL 122A  
STARTER KLUTCH

FIG. 126A



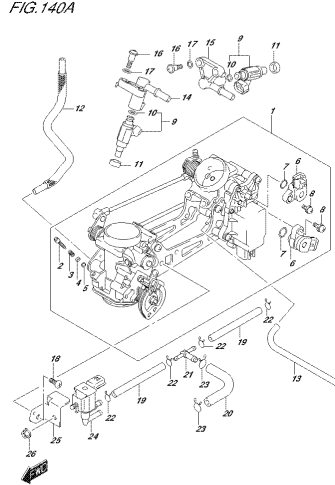
23.65014AB, EPL, 126A  
CLASSIF. 23.65014

FIG. 127A



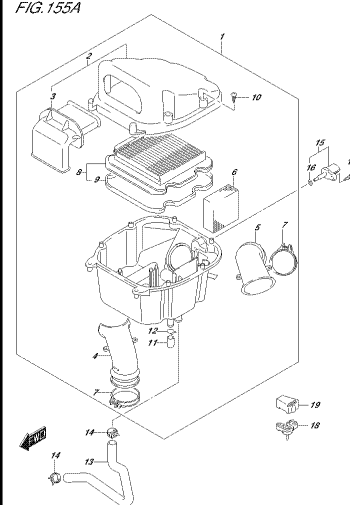
23.65014AB, EPL, 127A  
CLASSIF. 23.65014

FIG. 140A



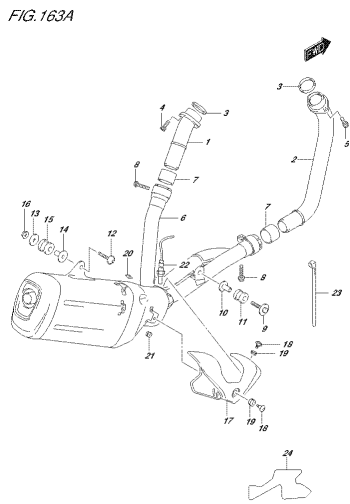
23.65014AB, EPL, 140A  
CLASSIF. 23.65014

FIG. 155A



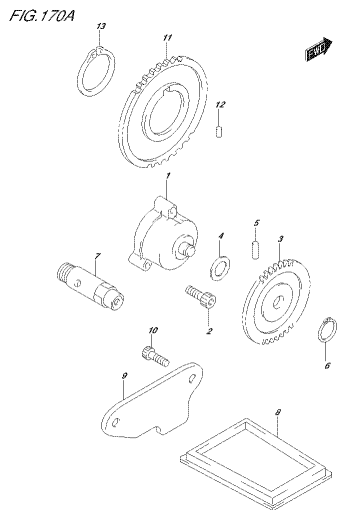
23.65014AB, EPL, 155A  
CLASSIF. 23.65014

FIG. 163A



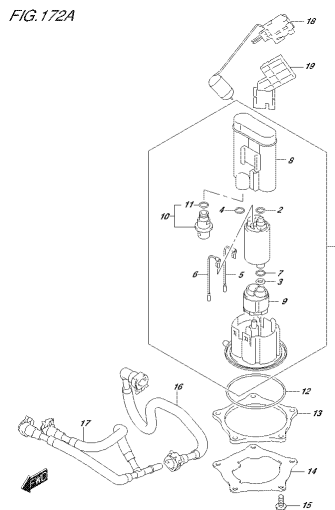
23.65014AB, EPL, 163A  
CLASSIF. 23.65014

FIG. 170A



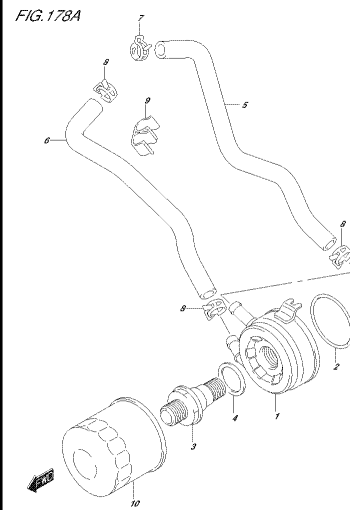
23.65014AB, EPL, 170A  
CLASSIF. 23.65014

FIG. 172A



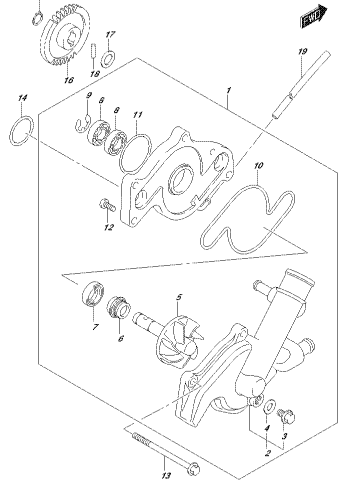
23.65014AB, EPL, 172A  
CLASSIF. 23.65014

FIG. 178A



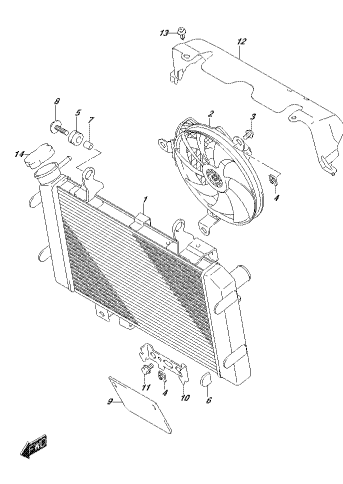
23.65014AB, EPL, 178A  
CLASSIF. 23.65014

FIG. 180A



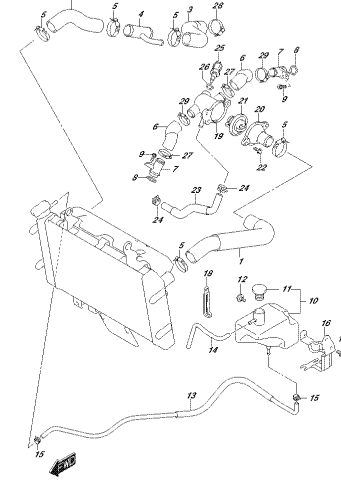
23.65014AB, EPT, 180A  
FRONT VIEW

FIG. 185A



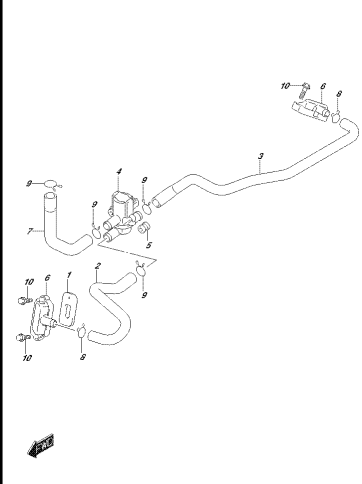
23.65014AB, EPT, 185A  
FRONT VIEW

FIG. 187A



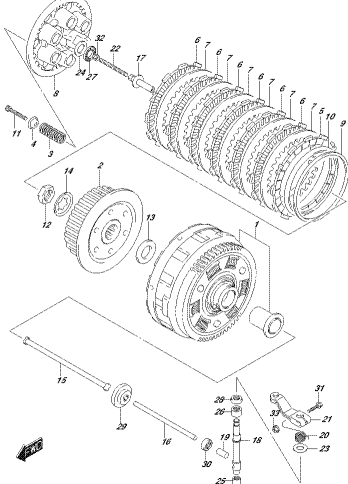
23.65014AB, EPT, 187A  
FRONT VIEW

FIG. 189A



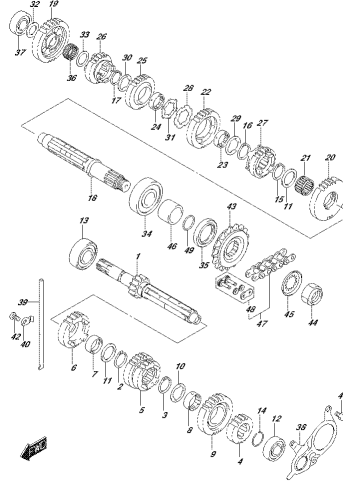
23.65014AB, EPT, 189A  
FRONT VIEW

FIG. 201A



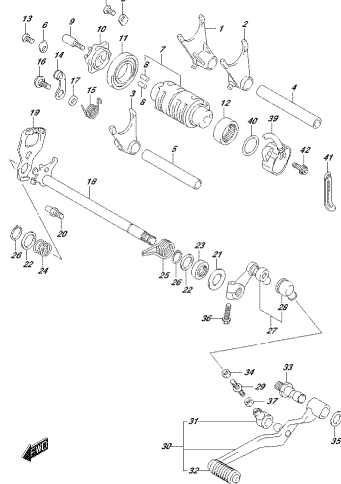
23.65014AB, EPT, 201A  
FRONT VIEW

FIG. 206A



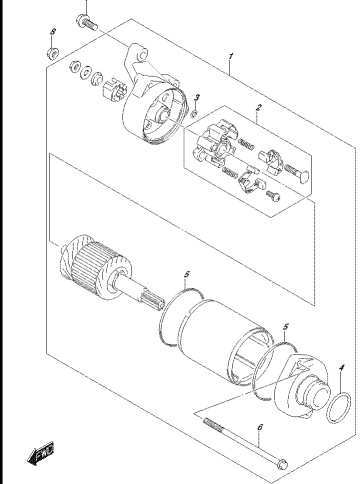
23.65014AB, EPT, 206A  
FRONT VIEW

FIG. 212A



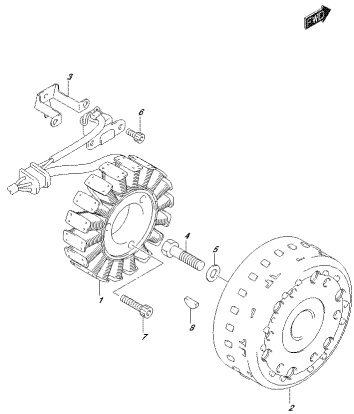
23.65014AB, EPT, 212A  
FRONT VIEW

FIG. 301A



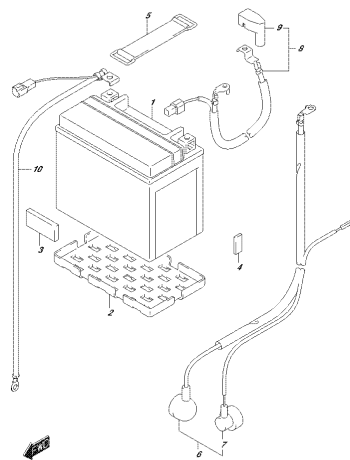
23.65014AB, EPT, 301A  
FRONT VIEW

FIG.303A



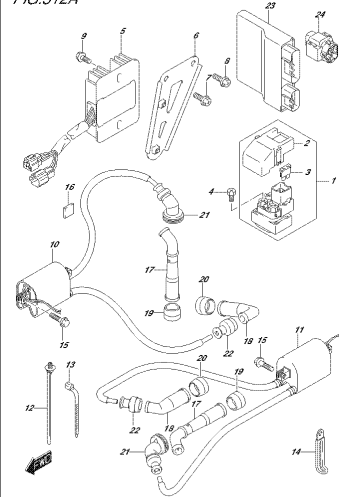
23.65014AB\_EPL\_303A  
HEADLIGHT

FIG.310A



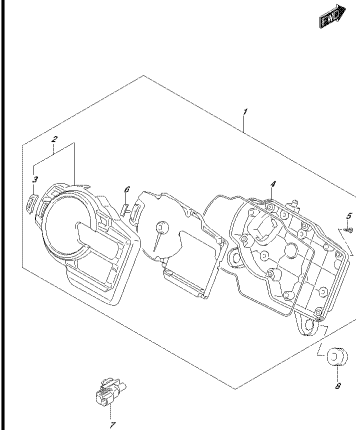
23.65014AB\_EPL\_310A  
BATTERY

FIG.312A



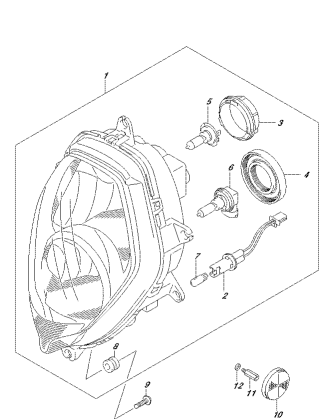
23.65014AB\_EPL\_312A  
ELECTRICAL

FIG.330A



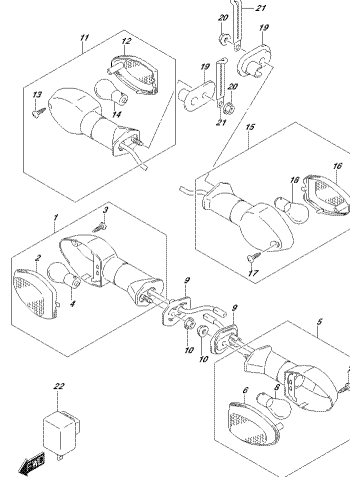
23.65014AB\_EPL\_330A  
HEADLIGHT

FIG.333A



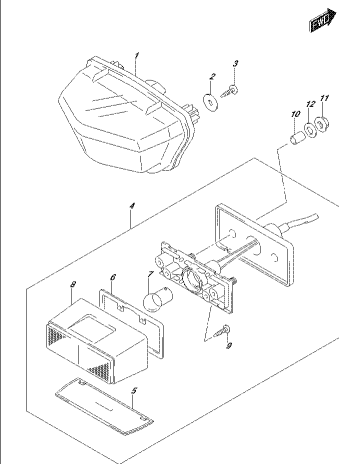
23.65014AB\_EPL\_333A  
HEADLAMP

FIG.334A



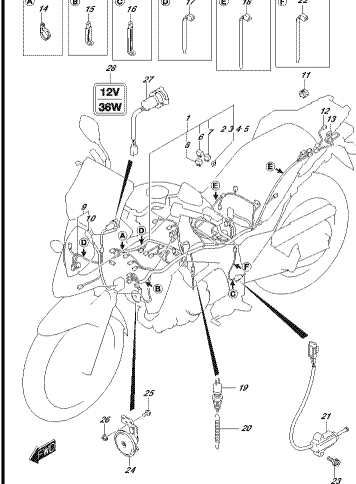
23.65014AB\_EPL\_334A  
TURN SIGNAL LAMP

FIG.339A



23.65014AB\_EPL\_339A  
REAR LIGHT/CONSTANT LAMP

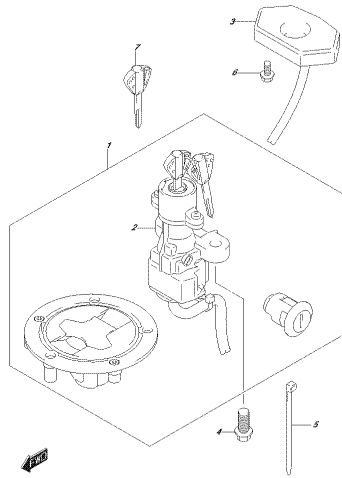
FIG.350A



23.65014AB\_EPL\_350A  
WIRING HARNESS

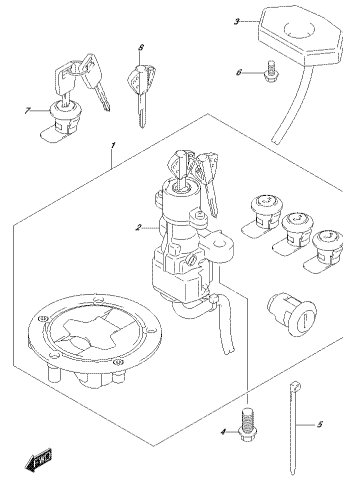


FIG.352A



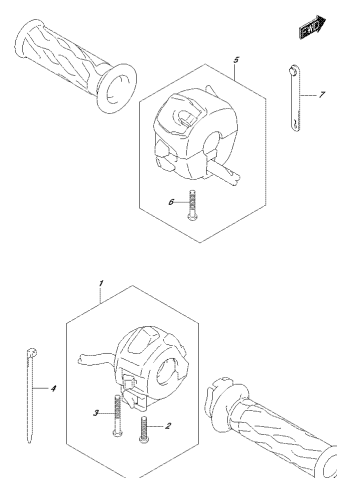
23.65014ARL.EP1.135N  
LOCK-SET

FIG.352B



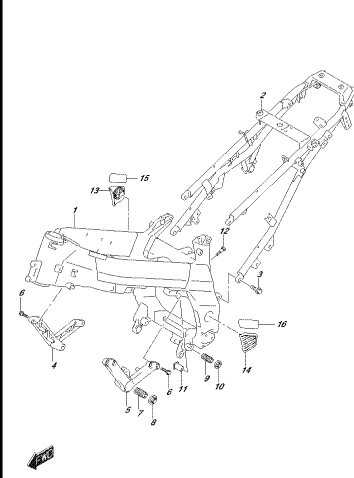
23.65014ARL.EP1.135P  
LOCK-SET

FIG.355A



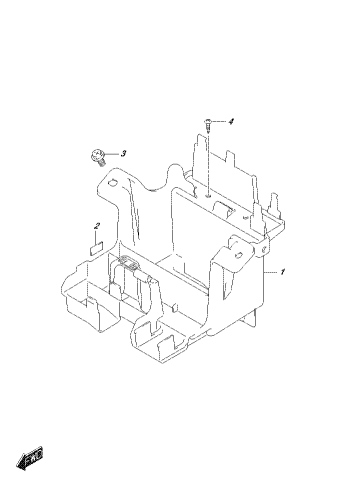
23.65014ARL.EP1.135N  
HANDLE-DRIVECY

FIG.401A



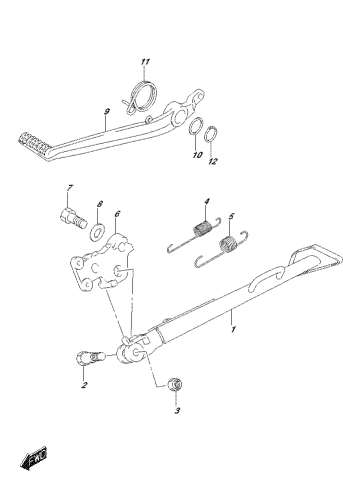
23.65014ARL.EP1.401A  
FRAME

FIG.405A



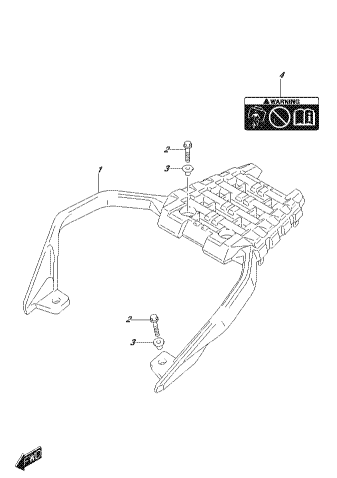
23.65014ARL.EP1.405A  
SNK7E7EP143.126E

FIG.407A



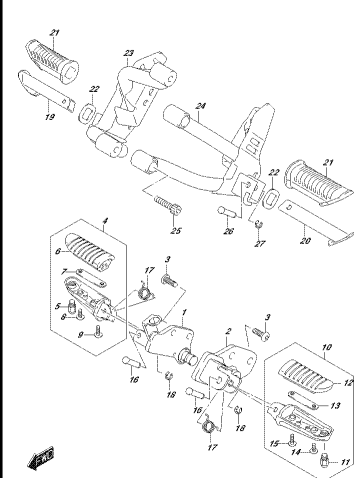
23.65014ARL.EP1.407A  
STRAND

FIG.412A



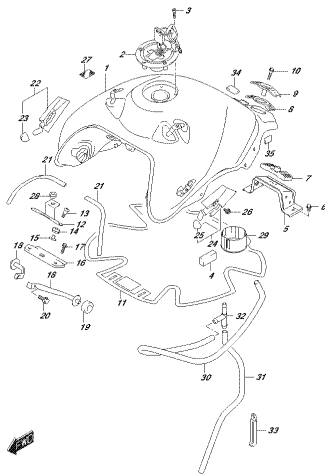
23.65014ARL.EP1.412A  
CARRIAGE

FIG.415A



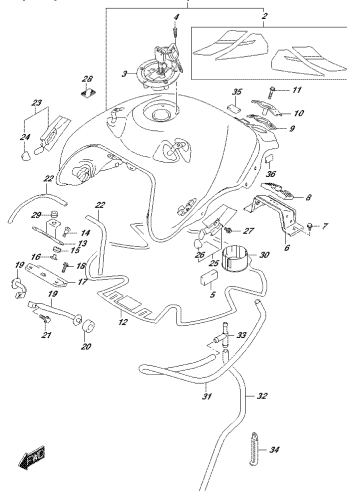
23.65014ARL.EP1.415A  
FOOTREST

FIG. 420A



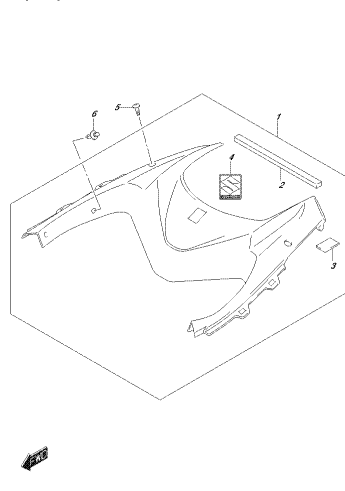
ZL63514AB, EPT, 420A  
FUEL TANK

FIG. 420B



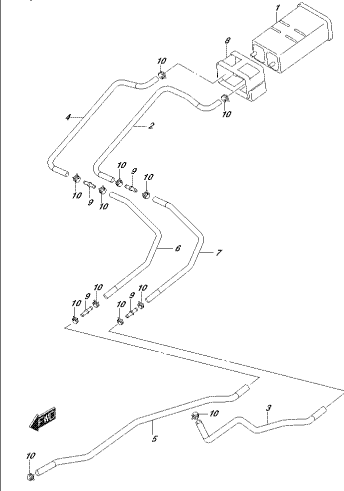
ZL63514AB, EPT, 420B  
FUEL TANK

FIG. 423A



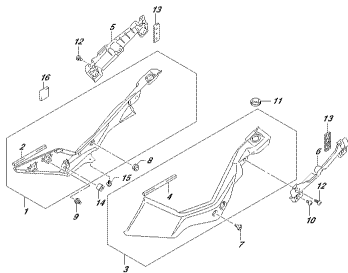
ZL63514AB, EPT, 423A  
FUEL TANK COVER

FIG. 427A



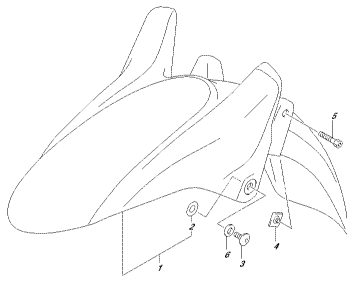
ZL63514AB, EPT, 427A  
FUEL TANK COVER

FIG. 445A



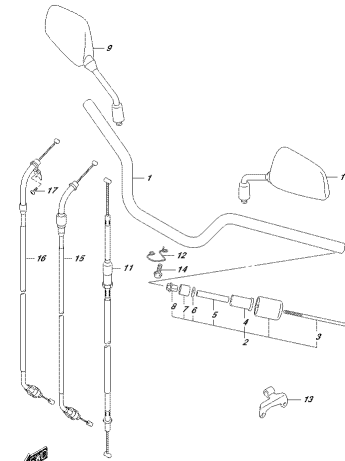
ZL63514AB, EPT, 445A  
FRONT FENDER

FIG. 460A



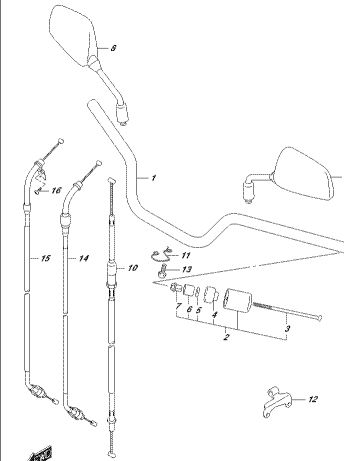
ZL63514AB, EPT, 460A  
FRONT FENDER

FIG. 462A



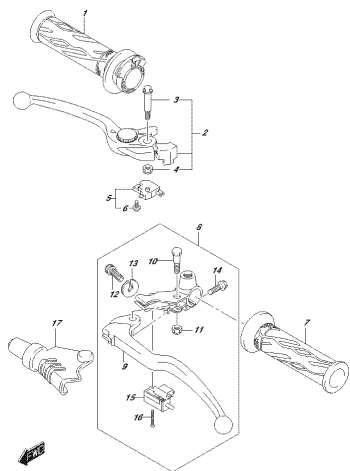
ZL63514AB, EPT, 462A  
HANDLEBAR

FIG. 462B



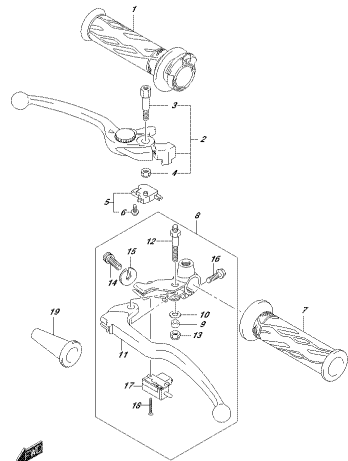
ZL63514AB, EPT, 462B  
HANDLEBAR

FIG.467A



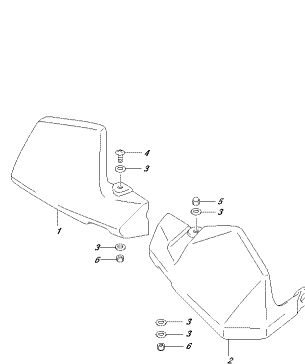
23.65014AB, ED1, 467A  
HANDLEBARS

FIG.467B



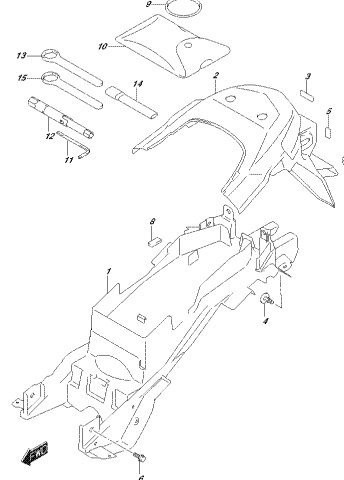
23.65014AB, ED1, 467B  
HANDLEBARS

FIG.472A



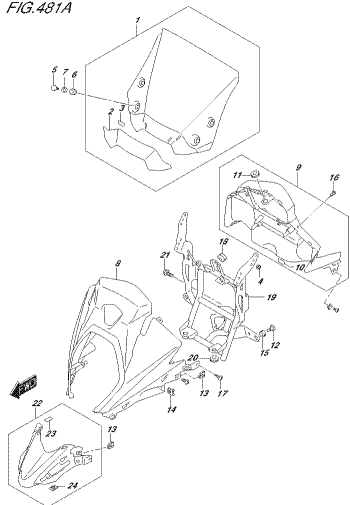
23.65014AB, ED1, 472A  
SEAT AND SEAT

FIG.474A



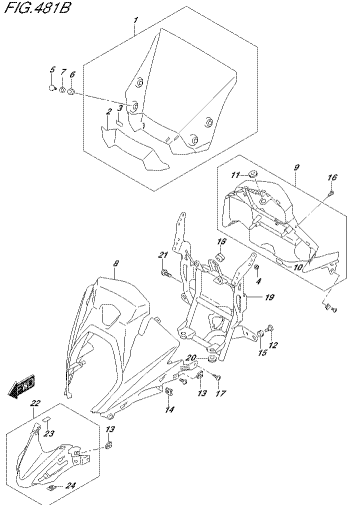
23.65014AB, ED1, 474A  
REARVIEW MIRROR

FIG.481A



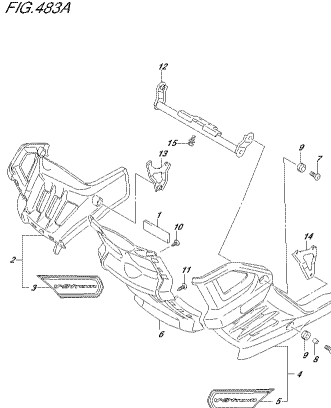
23.65014AB, ED1, 481A  
COVER, FIG.82011

FIG.481B



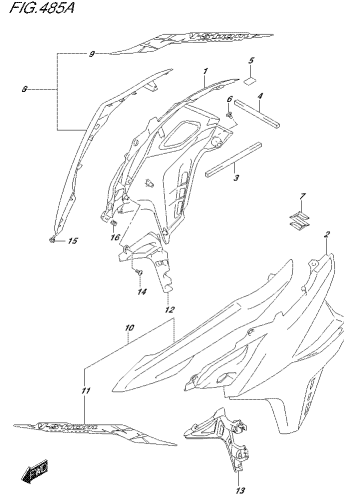
23.65014AB, ED1, 481B  
COVER, FIG.82011

FIG.483A



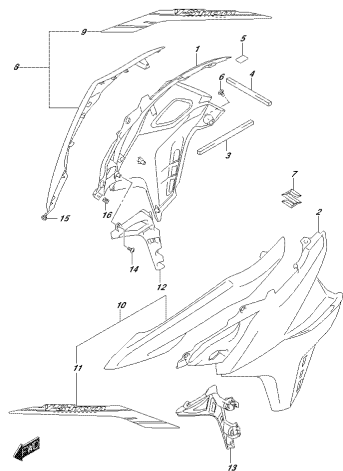
23.65014AB, ED1, 483A  
COVER, FIG.82011

FIG.485A



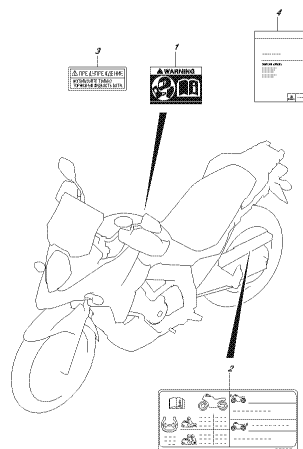
23.65014AB, ED1, 485A  
SIDE COVER, FIG.82011

FIG.485B



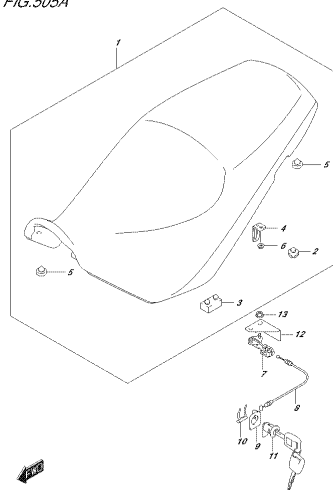
23.65014ARL\_EPL\_485B  
SIDE COVERS

FIG.496A



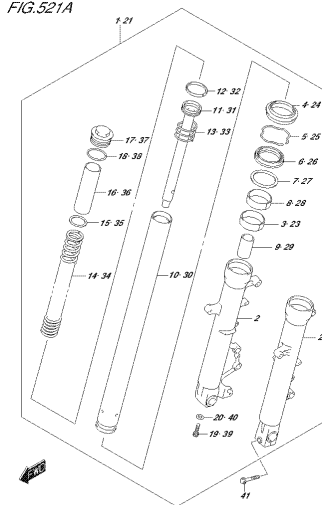
23.65014ARL\_EPL\_496A  
LABELS

FIG.505A



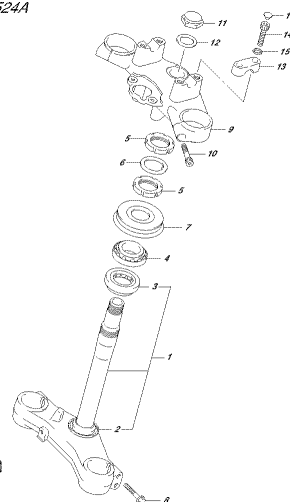
23.65014ARL\_EPL\_505A  
SEAT

FIG.521A



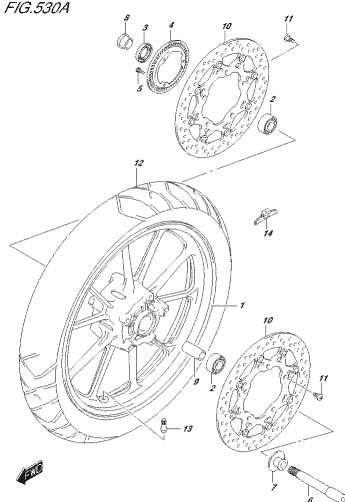
23.65014ARL\_EPL\_521A  
FRONT FORK CHAMFER

FIG.524A



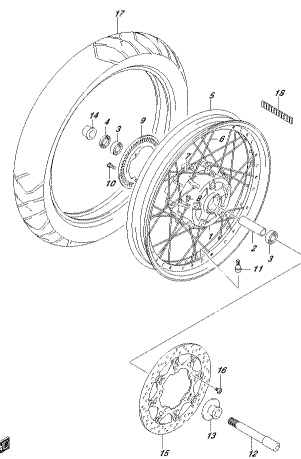
23.65014ARL\_EPL\_524A  
STEERING STEM

FIG.530A



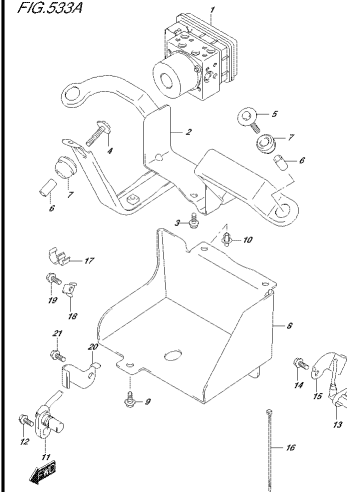
23.65014ARL\_EPL\_530A  
FRONT WHEEL

FIG.530B



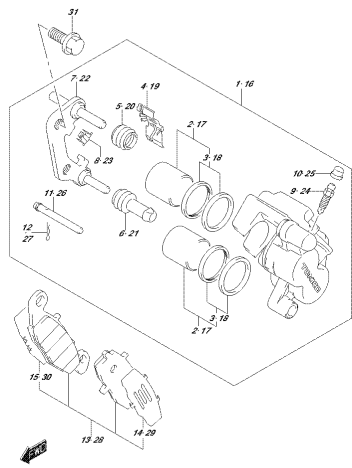
23.65014ARL\_EPL\_530B  
FRONT WHEEL

FIG.533A



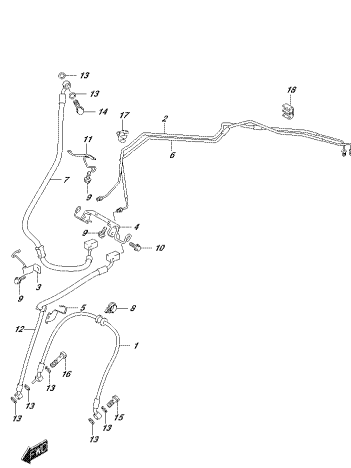
23.65014ARL\_EPL\_533A  
HUB/AXLE/SPRT

FIG.535A



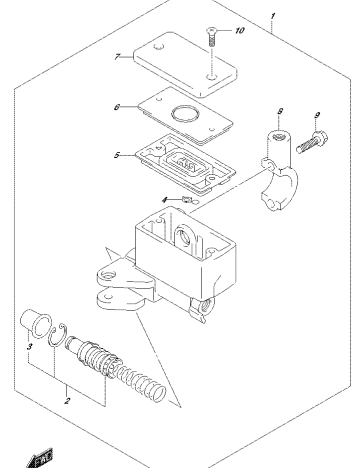
23.05014ABL\_EPT\_2024  
FRONT CALIPER?

FIG.536A



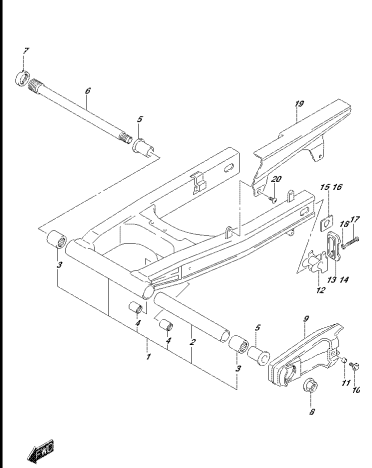
23.05014ABL\_EPT\_2024  
FRONT BRAKE HOSE

FIG.537A



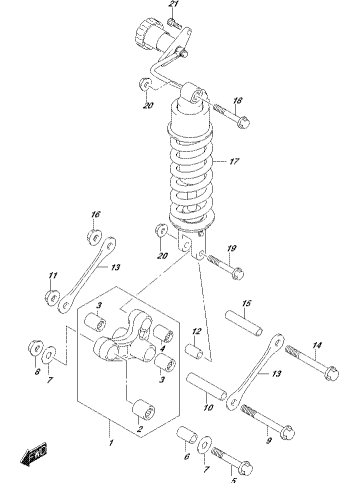
23.05014ABL\_EPT\_2024  
FRONT MASTER CYLINDER

FIG.541A



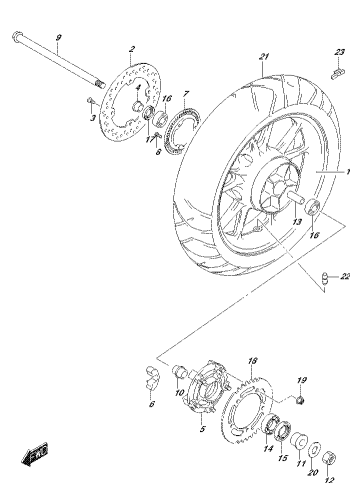
23.05014ABL\_EPT\_2024  
REAR CALIPER

FIG.543A



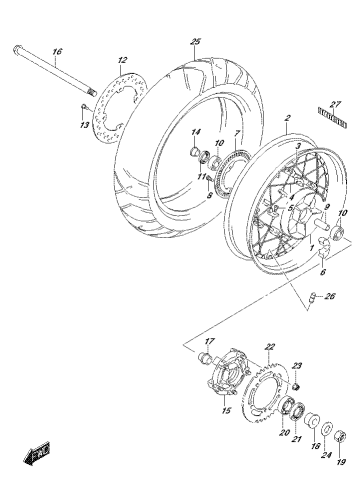
23.05014ABL\_EPT\_2024  
REAR SHOCK AND LEVER

FIG.550A



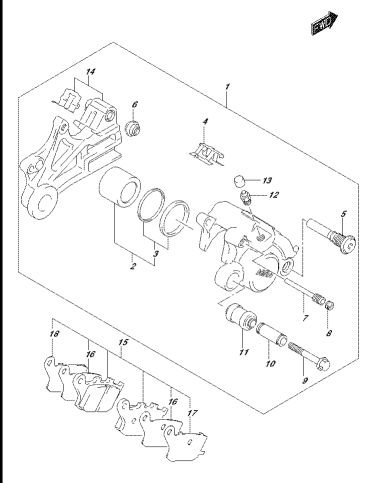
23.05014ABL\_EPT\_2024  
REAR WHEEL

FIG.550B



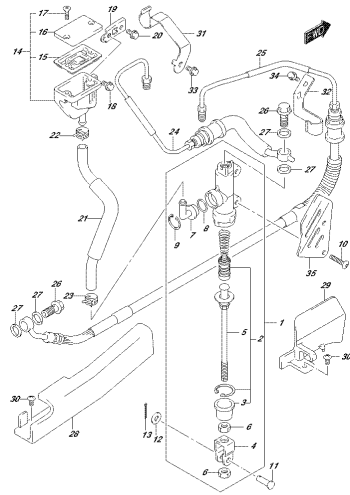
23.05014ABL\_EPT\_2024  
REAR WHEEL

FIG.555A



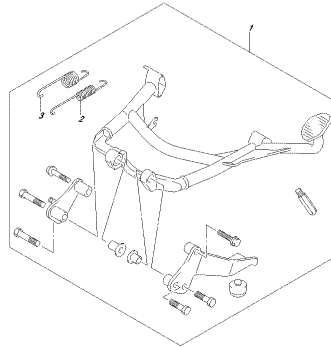
23.05014ABL\_EPT\_2024  
REAR CALIPER

FIG.558A



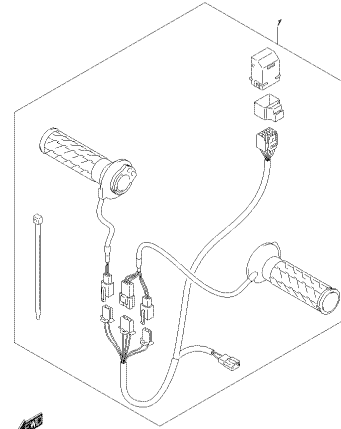
EL680448L.EPL.0704  
REAR MASTER CYLINDER

FIG.970A



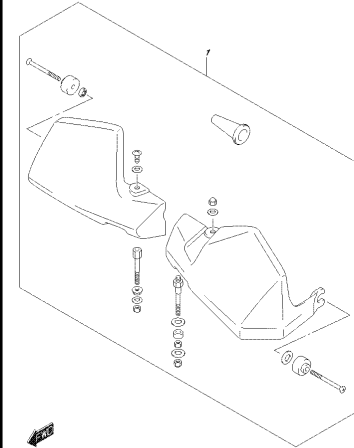
EL680448L.EPL.0704  
REAR SWAY BAR

FIG.970B



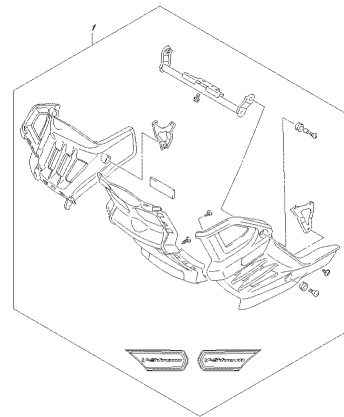
EL680448L.EPL.0704  
FRONT SWAY BAR

FIG.970C



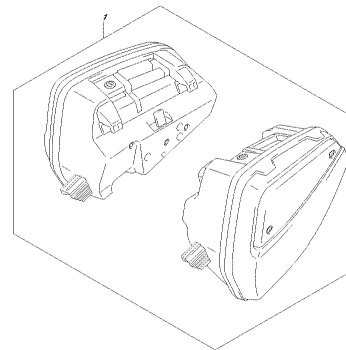
EL680448L.EPL.0704  
FRONT SWAY BAR

FIG.970D



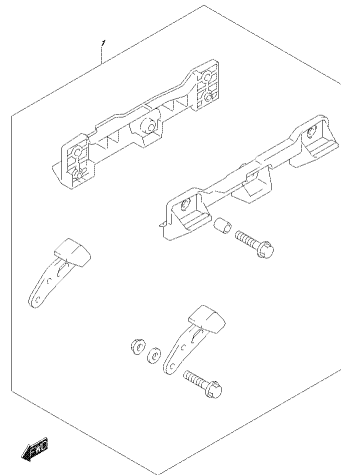
EL680448L.EPL.0704  
FRONT SWAY BAR

FIG.970E



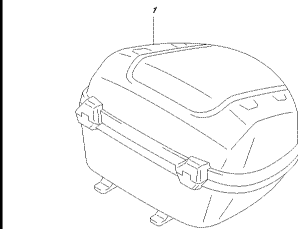
EL680448L.EPL.0704  
FRONT SWAY BAR

FIG.970F



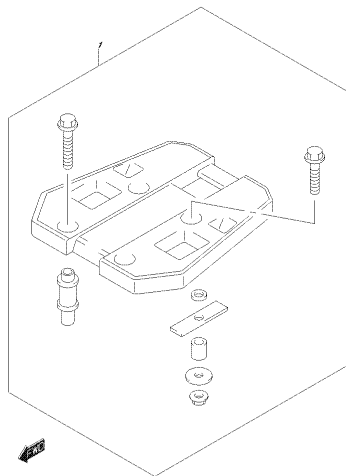
EL680448L.EPL.0704  
FRONT SWAY BAR

FIG.970G



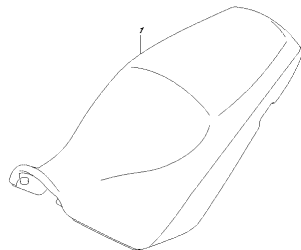
EL680448L.EPL.0704  
FRONT SWAY BAR

FIG.970H



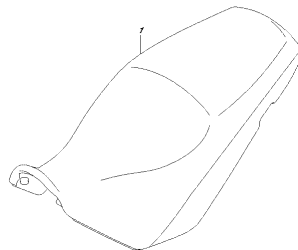
23.000445.EPL.070H  
070314C

FIG.970J



23.000445.EPL.070J  
070314C

FIG.970K



23.000445.EPL.070K  
070314C

FIG.101A

FIG.101A (1-B-2) GASKET SET

REF NO.	PART NO.	DESCRIPTION	QTY	REMARKS
1	11403-44820	GASKET SET	1	OPT
2	11141-20F00	.GASKET, CYLINDER HEAD	2	NOT ILLUSTRATED
3	11173-19F01	.GASKET, CYLINDER HEAD COVER	2	NOT ILLUSTRATED
4	11241-19F10	.GASKET, CYLINDER FRONT	1	NOT ILLUSTRATED
5	11242-19F00	.GASKET, CYLINDER REAR	1	NOT ILLUSTRATED
6	11482-44H00	.GASKET, CLUTCH COVER	1	NOT ILLUSTRATED
7	11483-19F00	.GASKET, MAGNETO COVER	1	NOT ILLUSTRATED
8	12837-27G10	.GASKET, TENSIONER ADJUSTER	2	NOT ILLUSTRATED
9	14181-22D01	.GASKET, EXHAUST PIPE	2	NOT ILLUSTRATED
10	11191-27E00	.WASHER, CYL HEAD COVER	4	NOT ILLUSTRATED

(L:5.5)

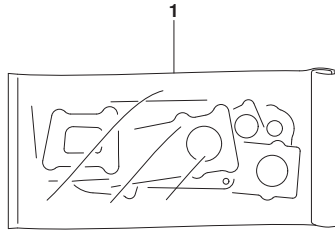




FIG.104A

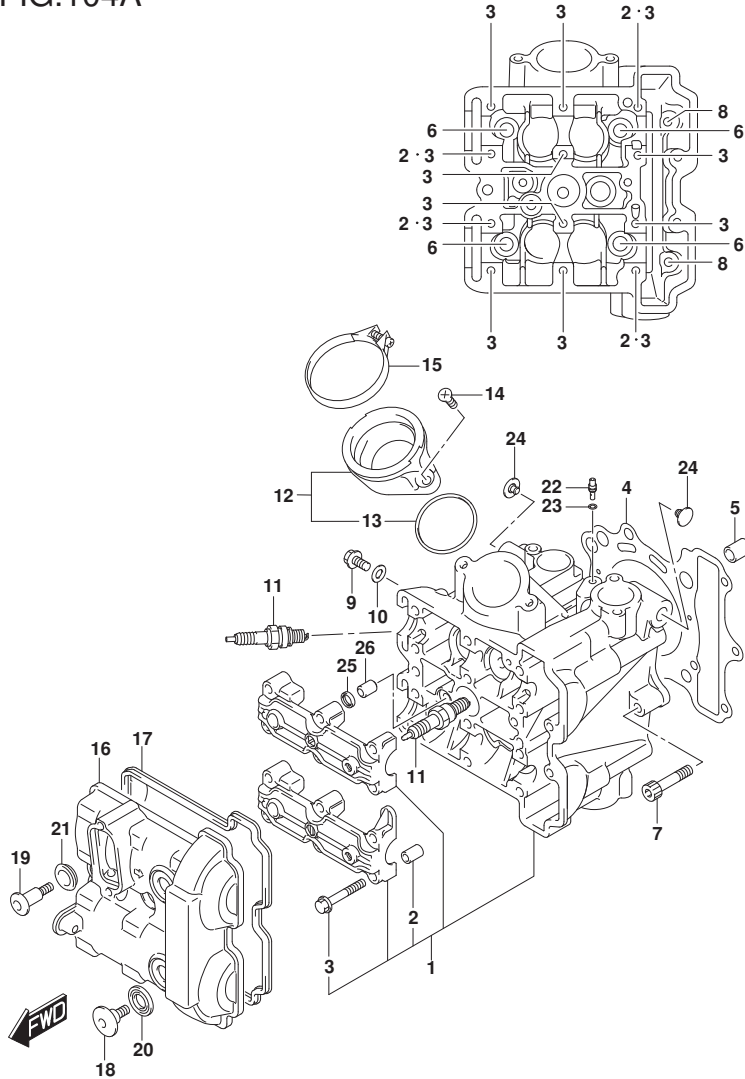


FIG.104A (1-B-3) CYLINDER HEAD (FRONT)

REF NO.	PART NO.	DESCRIPTION	Q'TY	REMARKS
1	11101-18K00	HEAD ASSY, CYLINDER FRONT	1	
2	09206-08001	.PIN (8X11)	4	
3	09103-06266	.BOLT (6X40)	12	
4	11141-20F00	GASKET, CYLINDER HEAD	1	
5	04211-13189	PIN (10.4X13X18)	2	
6	11117-44H00	BOLT, CYL HEAD (L160)	4	
7	07120-0640A	BOLT	1	
8	09103-06103	BOLT (6X70)	2	
9	01550-0612A	BOLT	1	
10	09168-06023	GASKET (5.8X13X1.2)	1	
11	09482-00646	SPARK PLUG (MR8E-9)	2	NGK
12	13101-17G11	PIPE ASSY, INTAKE FRONT	1	
13	09280-46007	.O RING (D:2.4,ID:47X42)	1	
14	02122-0616B	SCREW	2	
15	13827-40H01	CLAMP, INTAKE PIPE	1	
16	11171-18K00	COVER, CYLINDER HEAD FRONT	1	
17	11173-19F01	GASKET, CYLINDER HEAD COVER	1	
18	09106-07021	BOLT (7X17.5)	2	
19	09106-07010	BOLT (L:19)	1	
20	11191-27E00	WASHER, CYL HEAD COVER (L:5.5)	2	
21	11192-13E00	CUSHION, HEAD COVER BOLT	1	
22	09493-80005	JET (#80)	1	
23	09280-04004	O RING (D:1.2,ID:4)	1	
24	11151-27G01	CAP, ENGINE MOUNTING RR RH	2	
25	11182-35F10	GASKET, 2ND AIR PASSAGE	1	
26	09206-10016	PIN (8.2X10X13)	1	

FIG.105A

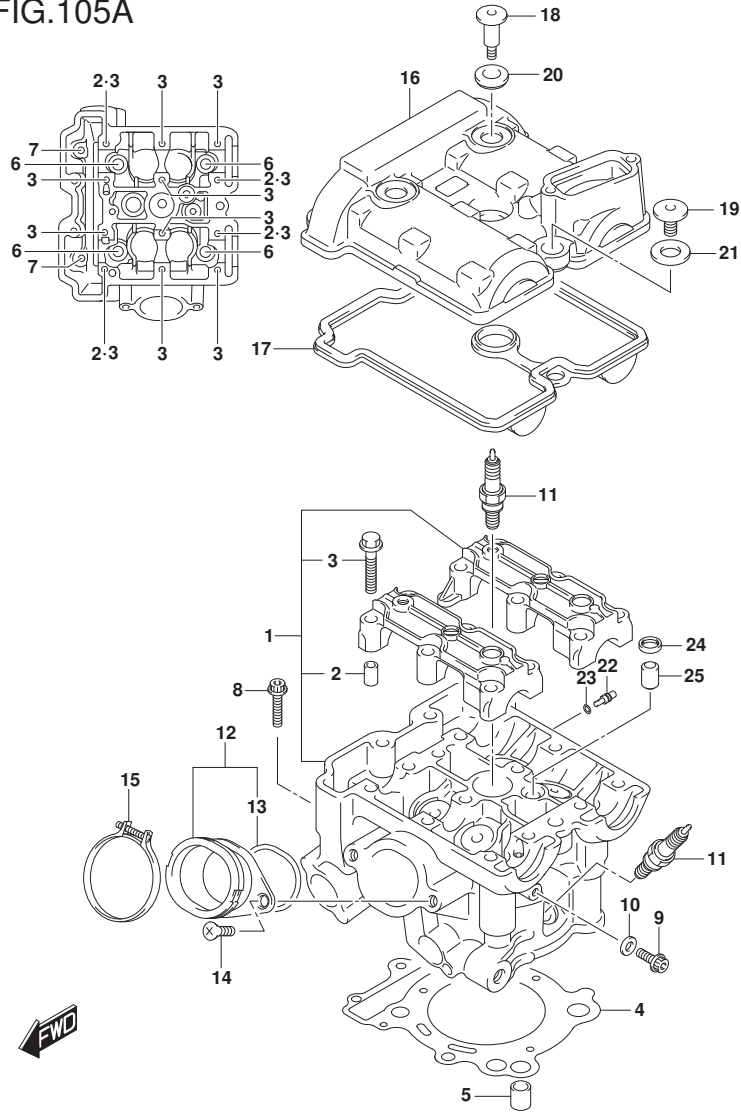


FIG.105A (1-B-4) CYLINDER HEAD (REAR)

REF NO.	PART NO.	DESCRIPTION	Q'TY	REMARKS
1	11103-18K00	HEAD ASSY, CYLINDER REAR	1	
2	09206-08001	.PIN (8X11)	4	
3	09103-06266	.BOLT (6X40)	12	
4	11141-20F00	GASKET, CYLINDER HEAD	1	
5	04211-13189	PIN (10.4X13X18)	2	
6	11117-44H00	BOLT, CYL HEAD (L160)	4	
7	09103-06103	BOLT (6X70)	2	
8	07120-0640A	BOLT	1	
9	01550-0612A	BOLT	1	
10	09168-06023	GASKET (5.8X13X1.2)	1	
11	09482-00646	SPARK PLUG (MR8E-9)	2	NGK
12	13102-17G11	PIPE ASSY, INTAKE REAR	1	
13	09280-46007	.O RING (D:2.4,ID:47X42)	1	
14	02122-0616B	SCREW	2	
15	13827-40H01	CLAMP, INTAKE PIPE	1	
16	11172-18K00	COVER, CYLINDER HEAD REAR	1	
17	11173-19F01	GASKET, CYLINDER HEAD COVER	1	
18	09106-07021	BOLT (7X17.5)	2	
19	09106-07010	BOLT (L:19)	1	
20	11191-27E00	WASHER, CYL HEAD COVER (L:5.5)	2	
21	11192-13E00	CUSHION, HEAD COVER BOLT	1	
22	09493-80005	JET (#80)	1	
23	09280-04004	O RING (D:1.2,ID:4)	1	
24	11182-35F10	GASKET, 2ND AIR PASSAGE	1	
25	09206-10016	PIN (8.2X10X13)	1	

FIG.107A

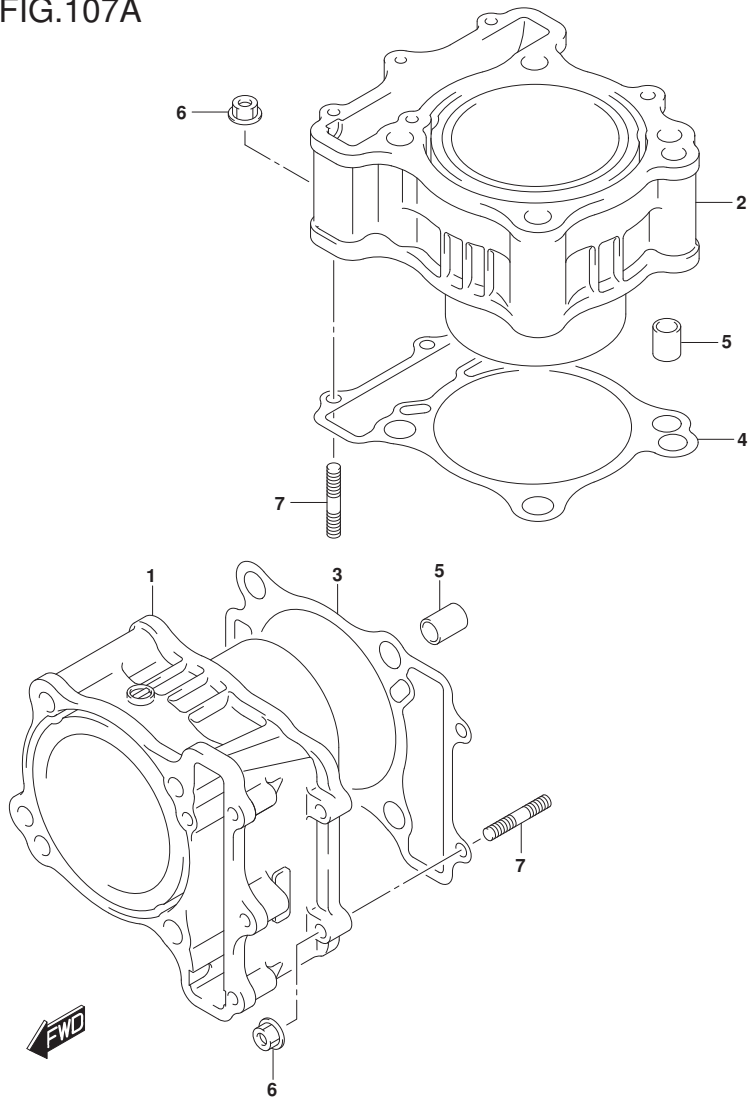


FIG.107A (1-B-5) CYLINDER

REF NO.	PART NO.	DESCRIPTION	Q'TY	REMARKS
1	11211-44H00-0F0	CYLINDER, FRONT	1	YELLOW
2	11221-44H00-0F0	CYLINDER, REAR	1	YELLOW
3	11241-19F10	GASKET, CYLINDER FRONT	1	
4	11242-19F00	GASKET, CYLINDER REAR	1	
5	04211-13189	PIN (10.4X13X18)	4	
6	08316-1006A	NUT (6X12)	4	
7	01421-0625A	STUD BOLT	4	

FIG.108A

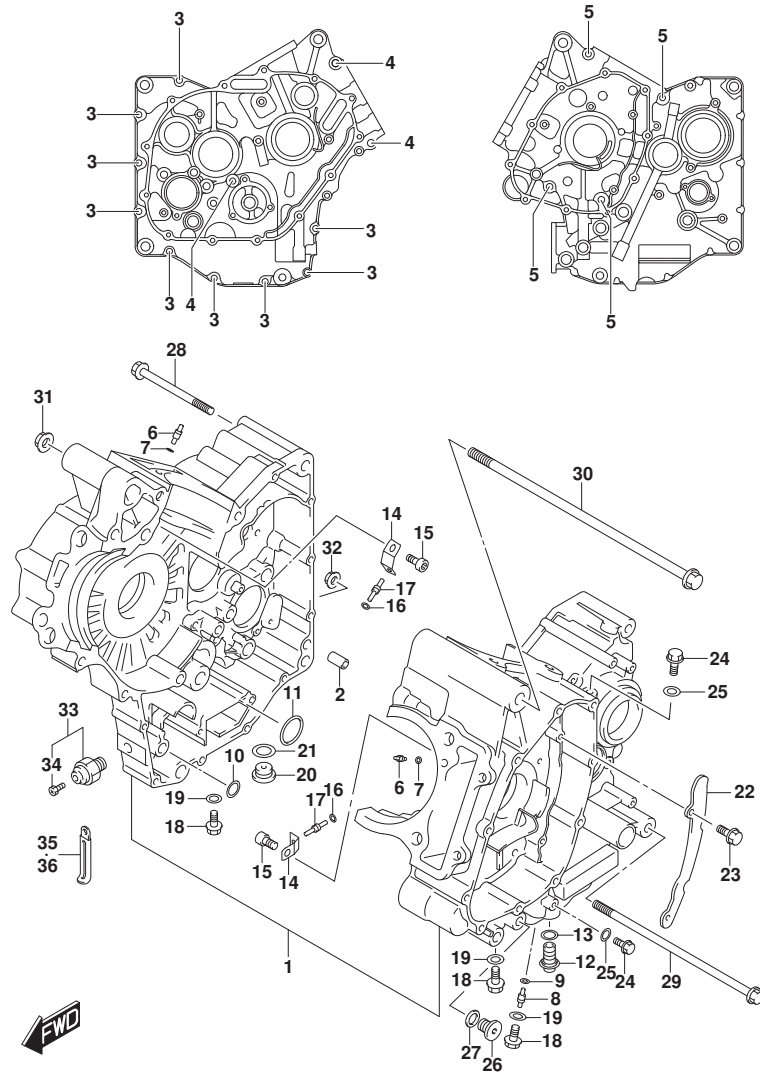


FIG.108A (1-B-6) CRANKCASE

REF NO.	PART NO.	DESCRIPTION	Q'TY	REMARKS
1	11301-27871	CRANKCASE SET	1	
2	09206-11007	.PIN (8.4X11X20)	2	
3	01547-0650A	.BOLT	9	
4	07120-0855A	.BOLT	3	
5	07120-0880A	.BOLT	4	
6	09493-28010	JET AIR (#14)	2	
7	09280-04004	O RING (D:1.2,ID:4)	2	
8	09493-36004	JET (#18)	1	
9	09280-04004	O RING (D:1.2,ID:4)	1	
10	09280-13007	O RING (D:1.9,ID:12.5)	1	
11	09280-15007	O RING (D:2.4,ID:15.8)	1	
12	09247-12011	PLUG (12X20)	1	OIL DRAIN
13	09168-12002	GASKET (12.1X16.2X3.7)	1	
14	16438-19F00	PLATE, PISTON COOLING JET	2	
15	09106-06075	BOLT (6X12)	2	
16	09280-04004	O RING (D:1.2,ID:4)	2	
17	09493-26007	JET (#130)	2	
18	01550-0812A	BOLT	3	
19	09168-08016	GASKET (8.2X14X1)	3	
20	09248-16012	PLUG (16X8)	1	
21	09168-16002	GASKET (16X22X2)	1	
22	11323-19F00	PLATE, OIL SEPARATOR	1	
23	01547-0612A	BOLT	2	
24	01547-0610A	BOLT	2	
25	09168-06023	GASKET (5.8X13X1.2)	2	
26	09247-12006	PLUG (12X10)	1	
27	09168-12002	GASKET (12.1X16.2X3.7)	1	
28	09103-10205	BOLT (10X225)	1	
29	09103-10347	BOLT (10X275)	1	
30	09103-12054	BOLT (12X310)	1	
31	09159-12056	NUT	1	
32	08319-3110A	NUT	1	
33	37820-33D10	SWITCH ASSY, OIL PRESSURE	1	
34	37822-33D00	.BOLT, OIL PRESSURE SWITCH	1	
35	09404-06429	CLAMP (L:45)	1	
36	09404-06030	CLAMP (L:80)	1	

FIG.112A

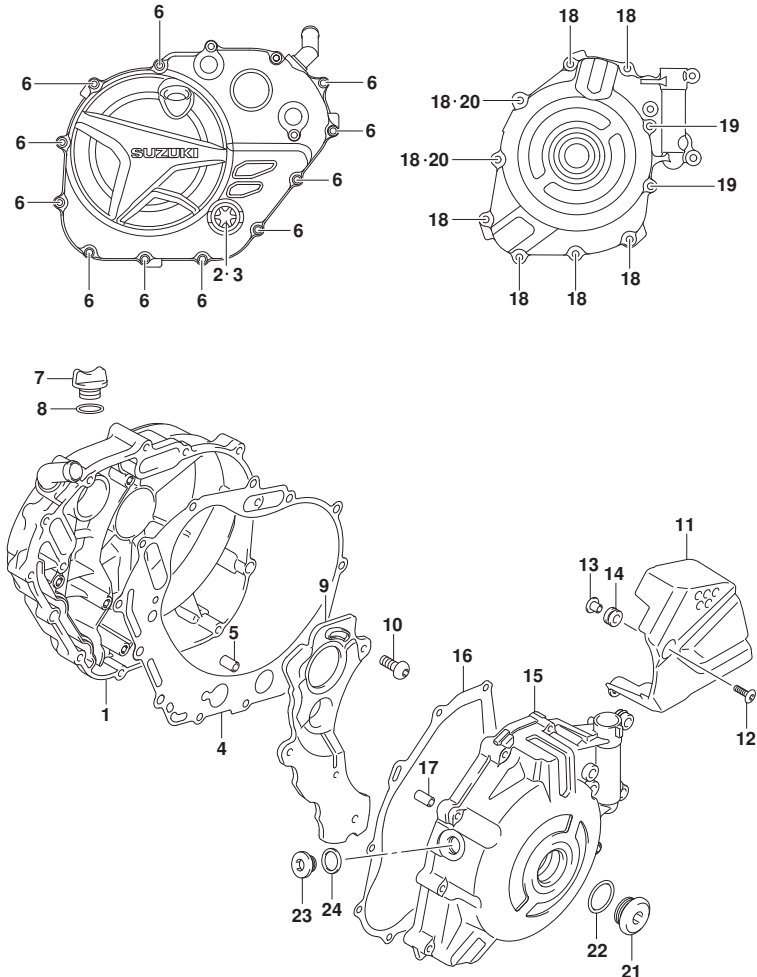


FIG.112A (1-B-7) CRANKCASE COVER

REF NO.	PART NO.	DESCRIPTION	Q'TY	REMARKS
1	11340-18K10	COVER, CLUTCH	1	
2	11971-33210	.LENS, OIL LEVEL CHECK	1	
3	08331-4130A	.CIRCLIP	1	
4	11482-44H00	GASKET, CLUTCH COVER	1	
5	04211-09149	PIN	2	
6	09103-06530	BOLT (L:35)	11	
7	11971-25D00	PLUG, ENGINE OIL FILLER	1	
8	09280-17003	O RING (D:3.1,ID:16.8)	1	
9	11343-44H01	SEPARATOR, OIL	1	
10	09106-06098	BOLT (6X12)	4	
11	11361-28K00	COVER, ENG SPROCKET	1	
12	09139-06028	SCREW (6X20)	3	
13	09169-06062	WASHER (6.3X17X1.6)	3	
14	09320-09016	CUSHION (9X18X9.5)	3	
15	11351-44H20	COVER, MAGNETO	1	
16	11483-19F00	GASKET, MAGNETO COVER	1	
17	04211-09149	PIN	2	
18	09103-06530	BOLT (L:35)	8	
19	09103-06536	BOLT (6X65)	2	
20	09168-06023	GASKET (5.8X13X1.2)	2	
21	09259-26011	PLUG (26X9)	1	
22	09280-22008	O RING (D:3.1,ID:22.7)	1	
23	09248-16012	PLUG (16X8)	1	
24	09168-16002	GASKET (16X22X2)	1	

FIG.120A

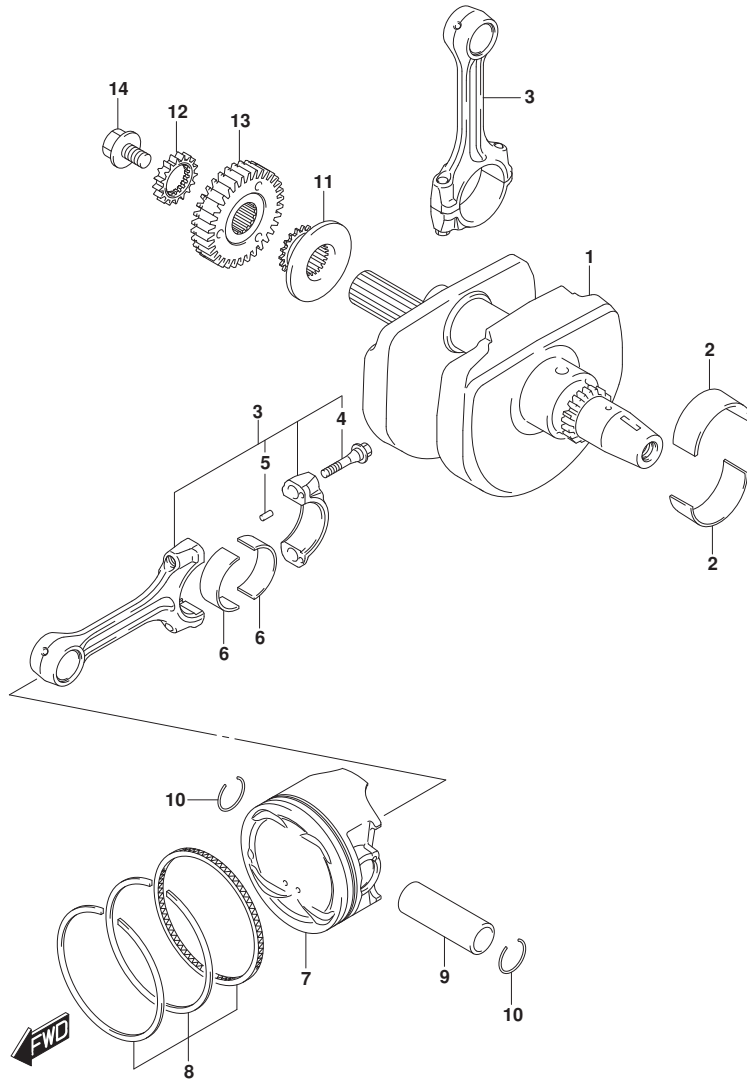


FIG.120A (1-B-8) CRANKSHAFT

REF NO.	PART NO.	DESCRIPTION	Q'TY	REMARKS
1	12220-44H20	CRANKSHAFT	1	
2-1	12229-44H10-0A0	BEARING, CRANKSHAFT	4	GREEN
2-2	12229-44H10-0B0	BEARING, CRANKSHAFT	4	BLACK
2-3	12229-44H10-0C0	BEARING, CRANKSHAFT	4	BROWN
3	12160-17G20	CONNROD ASSY	2	
4	12163-24F10	.BOLT, CONNECTING ROD	4	
5	04221-04089	.PIN	4	
6-1	12164-46E10-0A0	BEARING, CRANK PIN	4	GREEN
6-2	12164-46E10-0B0	BEARING, CRANK PIN	4	BLACK
6-3	12164-46E10-0C0	BEARING, CRANK PIN	4	BROWN
6-4	12164-46E10-0D0	BEARING, CRANK PIN	4	YELLOW
7	12111-18K01-0F0	PISTON	2	
8	12140-10L00	RING SET, PISTON	2	
9	12151-05A10	PIN, PISTON	2	
10	09381-20004	CIRCLIP	4	
11	12731-19F00	SPROCKET, CAM CHAIN DRIVE (NT:18)	1	
12	17451-17G00	GEAR, WATER PUMP DRIVE (NT:17)	1	
13	21100-44H00	GEAR ASSY, PRIMARY DRIVE (NT:34)	1	
14	09103-10338	BOLT (10X19)	1	

FIG.122A

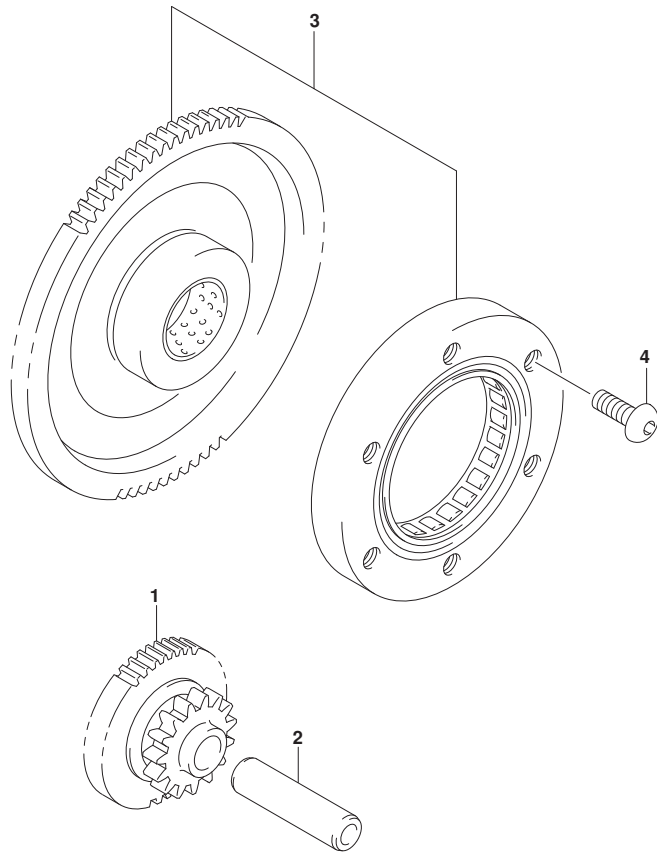


FIG.122A (1-B-9) STARTER CLUTCH

REF NO.	PART NO.	DESCRIPTION	Q'TY	REMARKS
1	12611-27G00	GEAR, STARTER IDLE (NT:15/53)	1	
2	09206-12006	PIN (8X12X45.5)	1	
3	12600-06821	CLUTCH SET, STARTER (NT:70)	1	
4	09139-08023	SCREW (8X16)	6	

FIG.126A

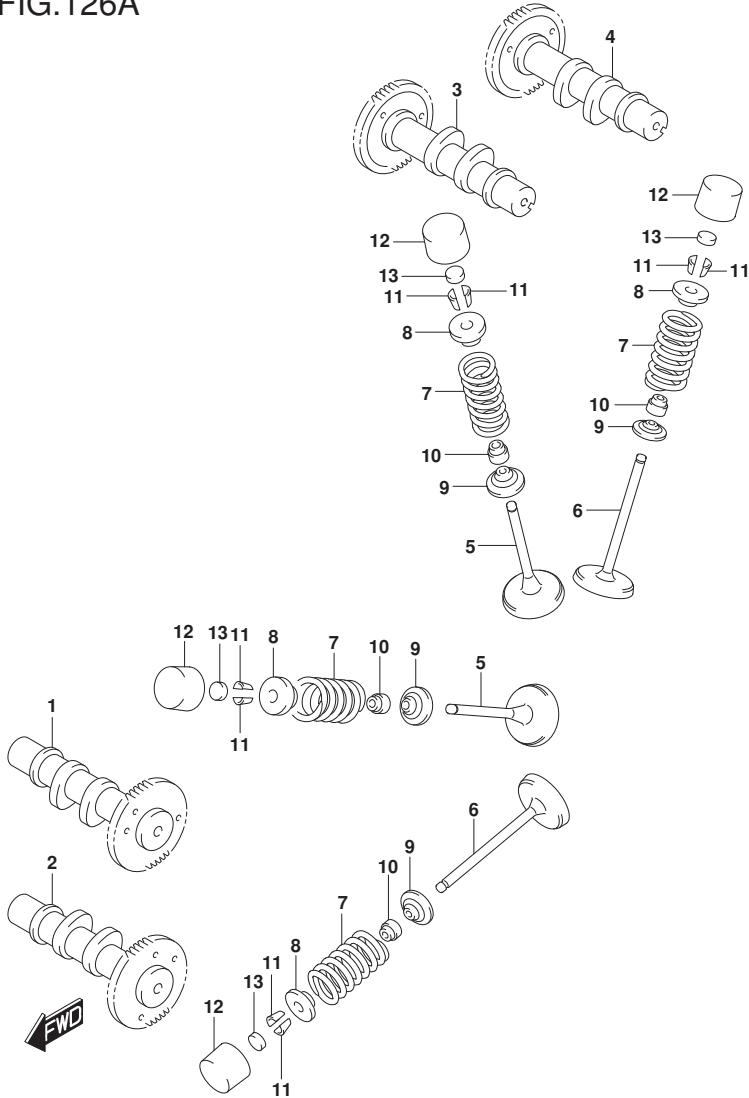


FIG.126A (1-B-10) CAMSHAFT/VALVE

REF NO.	PART NO.	DESCRIPTION	Q'TY	REMARKS
1	12710-11J00	CAMSHAFT, INTAKE FRONT (NT:36)	1	
2	12720-44H00	CAMSHAFT, EXHAUST FRONT (NT:36)	1	
3	12730-11J00	CAMSHAFT, INTAKE REAR (NT:36)	1	
4	12740-44H00	CAMSHAFT, EXHAUST REAR (NT:36)	1	
5	12911-18H00	VALVE, INTAKE	4	
6	12912-20F00	VALVE, EXHAUST	4	
7	12921-44H00	SPRING, VALVE	8	
8	12931-17E01	RETAINER, VALVE SPRING	8	
9	12933-17E00	SEAT, VALVE SPRING	8	
10	09289-04002	OIL SEAL (4.5X10X8)	8	
11	12932-32C00	COTTER, VALVE	16	
12	12891-47H00	TAPPET	8	
13-1	12892-05C00-120	SHIM, TAPPET (T:1.20)	8	
13-2	12892-05C00-125	SHIM, TAPPET (T:1.25)	8	
13-3	12892-05C00-130	SHIM, TAPPET (T:1.30)	8	
13-4	12892-05C00-135	SHIM, TAPPET (T:1.35)	8	
13-5	12892-05C00-140	SHIM, TAPPET (T:1.40)	8	
13-6	12892-05C00-145	SHIM, TAPPET (T:1.45)	8	
13-7	12892-05C00-150	SHIM, TAPPET (T:1.50)	8	
13-8	12892-05C00-155	SHIM, TAPPET (T:1.55)	8	
13-9	12892-05C00-160	SHIM, TAPPET (T:1.60)	8	
13-10	12892-05C00-165	SHIM, TAPPET (T:1.65)	8	
13-11	12892-05C00-170	SHIM, TAPPET (T:1.70)	8	
13-12	12892-05C00-175	SHIM, TAPPET (T:1.75)	8	
13-13	12892-05C00-180	SHIM, TAPPET (T:1.80)	8	
13-14	12892-05C00-185	SHIM, TAPPET (T:1.85)	8	
13-15	12892-05C00-190	SHIM, TAPPET (T:1.90)	8	
13-16	12892-05C00-195	SHIM, TAPPET (T:1.95)	8	
13-17	12892-05C00-200	SHIM, TAPPET (T:2.00)	8	
13-18	12892-05C00-205	SHIM, TAPPET (T:2.05)	8	
13-19	12892-05C00-210	SHIM, TAPPET (T:2.10)	8	
13-20	12892-05C00-215	SHIM, TAPPET (T:2.15)	8	
13-21	12892-05C00-220	SHIM, TAPPET (T:2.20)	8	
14	12800-05830	SHIM SET, TAPPET (5PCS.EACH)	1	OPT,NOT ILLUSTRATED
15	99000-69491	.CASE, TAPPET SHIM	1	OPT,NOT ILLUSTRATED



FIG.127A

FIG.127A (1-B-11) CAM CHAIN

REF NO.	PART NO.	DESCRIPTION	Q'TY	REMARKS
1	12760-19F01	CHAIN, CAMSHAFT DRIVE	2	
2	12771-44H01	GUIDE, CAM CHAIN NO.1	2	
3	12782-19F01	GUIDE, CAM CHAIN NO.2	2	
4	07130-0612A	BOLT	6	
5	12811-17G01	TENSIONER, CAM CHAIN	2	
6	12812-35C00	BOLT, CAM CHAIN TENSIONER	2	
7	08211-06181	WASHER	2	
8	12830-27G00	ADJUSTER ASSY, TENSIONER FRONT	1	
9	12837-24F10	.GASKET, TENSIONER ADJUSTER	1	
10	12831-39F00	.SPRING	1	
11	12830-27G10	ADJUSTER ASSY, TENSIONER REAR	1	
12	12837-24F10	.GASKET, TENSIONER ADJUSTER	1	
13	12831-39F00	.SPRING	1	
14	12833-17G00	PLUG, TENSIONER ADJUSTER	2	
15	12837-27G10	GASKET, TENSIONER ADJUSTER	2	
16	07130-0625A	BOLT	4	

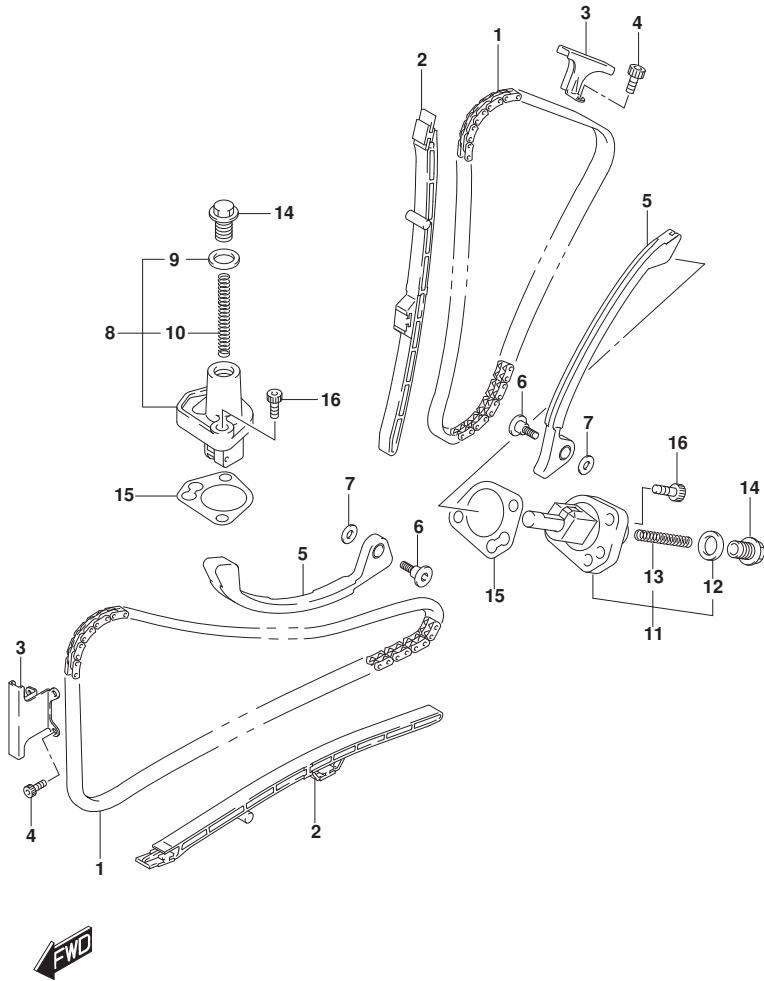


FIG.140A

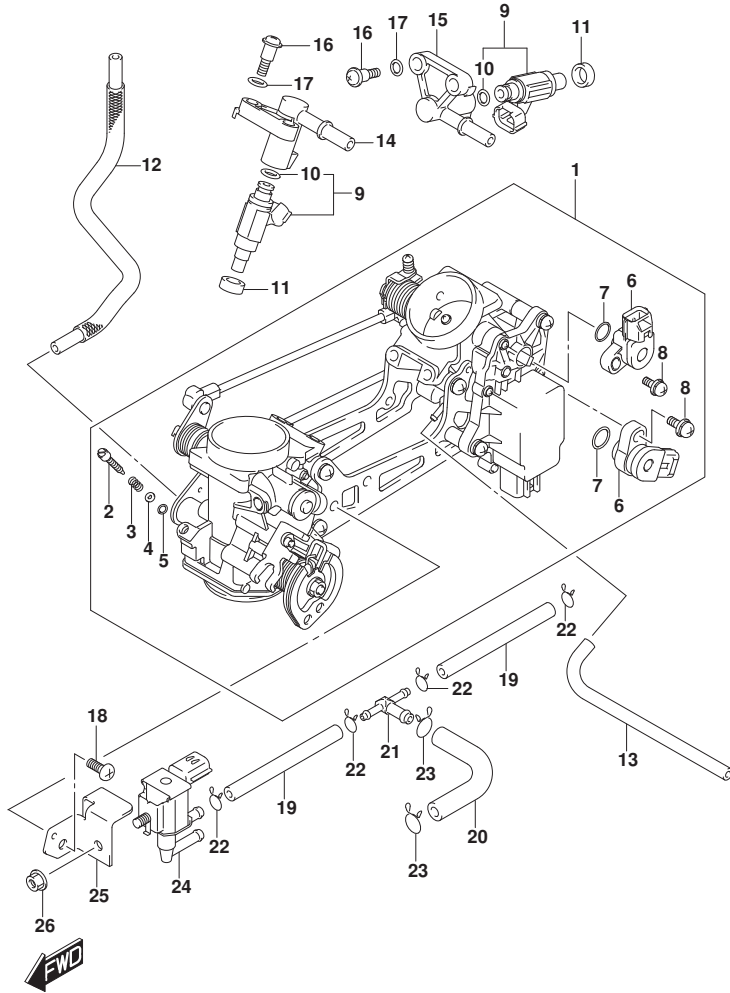


FIG.140A (1-B-12) THROTTLE BODY

REF NO.	PART NO.	DESCRIPTION	Q'TY	REMARKS
1	13405-28K21	BODY ASSY, THROTTLE	1	
2	13269-33E00	.SCREW	2	
3	13268-48700	.SPRING, THROTTLE SCREW	2	
4	13606-47A00	.WASHER	2	
5	13295-29901	.O RING	2	
6	13580-27G21	.SENSOR	2	
7	13575-29G01	.O RING	2	
8	13605-02F00	.SCREW	2	
9	15710-11J00	INJECTOR ASSY	2	
10	15717-58B00	.O RING	2	
11	15722-29G00	SEAL	2	
12	13683-28K01	HOSE	1	
13	13683-44H11	HOSE	1	
14	15731-11J00	DELIVERY PIPE	1	
15	15732-11J00	DELIVERY PIPE	1	
16	13601-11J00	SCREW, DELIVERY PIPE	4	
17	13602-29G01	PACKING	4	
18	13602-06128	SCREW	2	
19	13681-06G40	HOSE	2	
20	13683-44H30	HOSE	1	
21	13685-04F10	NIPPLE	1	
22	13671-12C00	CLIP	4	
23	09401-10410	CLIP	2	
24	18117-52G10	VALVE, WASTE GATE CONT	1	
25	18119-44H00	BRACKET	1	
26	08316-1006A	NUT (6X12)	1	

FIG.155A

FIG.155A (1-B-13) AIR CLEANER

REF NO.	PART NO.	DESCRIPTION	Q'TY	REMARKS
1	13700-11J11	CLEANER ASSY, AIR	1	
2	13740-11J01	.CAP, AIR CLEANER	1	
3	13891-27G01	.TUBE, INLET	1	
4	13881-27G11	.TUBE, OUTLET A	1	
5	13882-27G11	.TUBE, OUTLET B	1	
6	13788-11J00	.FILTER, BREATHER	1	
7	13826-44H01	.CLAMP, OUTLET TUBE	2	
8	13780-27G10	.FILTER ASSY	1	
9	13746-06G00	.GASKET, AIR CLEANER	1	
10	03141-0516A	.SCREW	8	
11	13878-10G01	.PLUG	1	
12	09401-14301	.CLIP	1	
13	13850-11J00	TUBE, BREATHER	1	
14	09401-20405	CLIP	2	
15	13650-41F10	SENSOR, AIR TEMP	1	
16	13655-41F10	.O RING	1	
17	03511-0516A	SCREW	1	
18	18590-18K00	SENSOR, AIR PRESSURE	2	
19	18595-04K01	HOLDER, SENSOR	2	

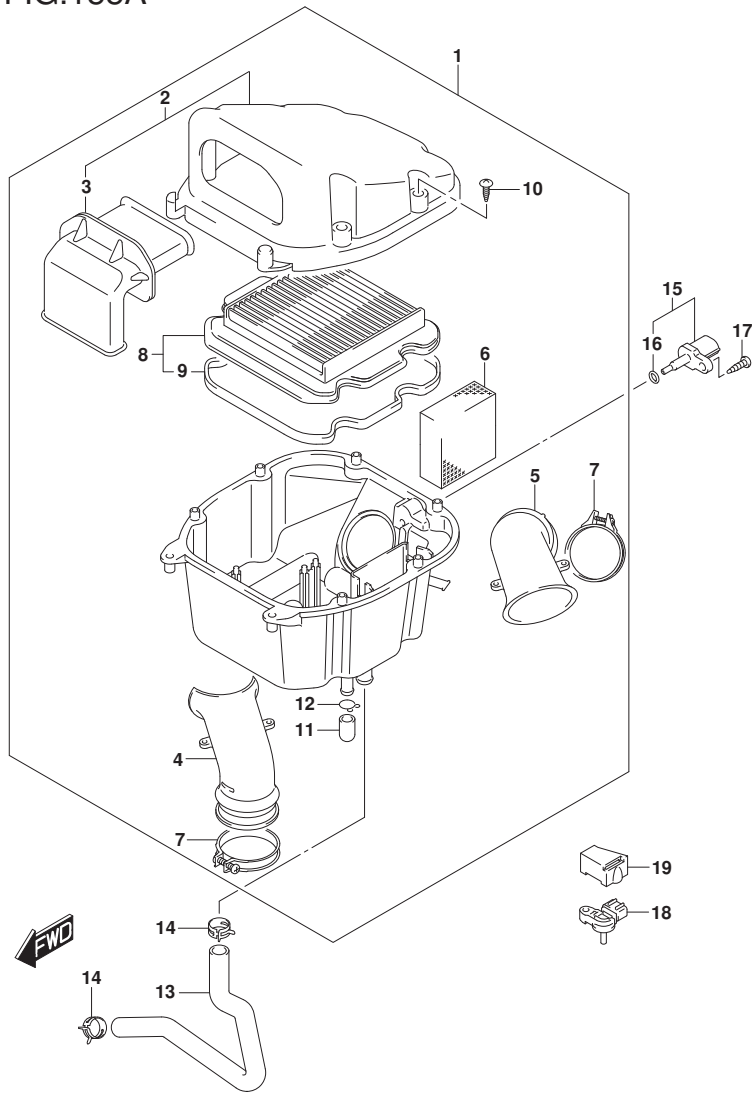


FIG.163A

FIG.163A (1-B-14) MUFFLER

REF NO.	PART NO.	DESCRIPTION	Q'TY	REMARKS
1	14150-27G10	PIPE, EXH RR	1	
2	14160-17G10	PIPE, EXH FR	1	
3	14181-22D01	GASKET, EXHAUST PIPE	2	
4	07130-0825A	BOLT	2	REAR
5	09106-08178	BOLT (8X25)	2	FRONT
6	14305-28K02-H01	MUFFLER	1	
7	14771-32E10	CONNECTOR, EXH	2	
8	09103-08365	BOLT (8X35)	2	
9	09116-08133	BOLT (8X40)	1	
10	09180-08152	SPACER (8.6X12X24.2)	1	
11	09320-12048	CUSHION	1	
12	09106-08164	BOLT (8X45)	1	
13	09160-08140	WASHER (8.5X33X1.6)	1	
14	09180-08156	SPACER (8.6X12X25.5)	1	
15	09320-12049	CUSHION	1	
16	08316-1008A	NUT	1	
17	14780-28K00	COVER, MUF	1	
18	09139-06124	SCREW (6X12)	2	
19	09320-08066	CUSHION	2	
20	14795-10FA0	GROMMET	1	
21	09320-04011	CUSHION	1	
22	18213-17K00	SENSOR, OXYGEN	1	
23	09407-14407	CLAMP (L:145)	1	
24	14784-28K00	SHIELD, MUF COVER RR	1	

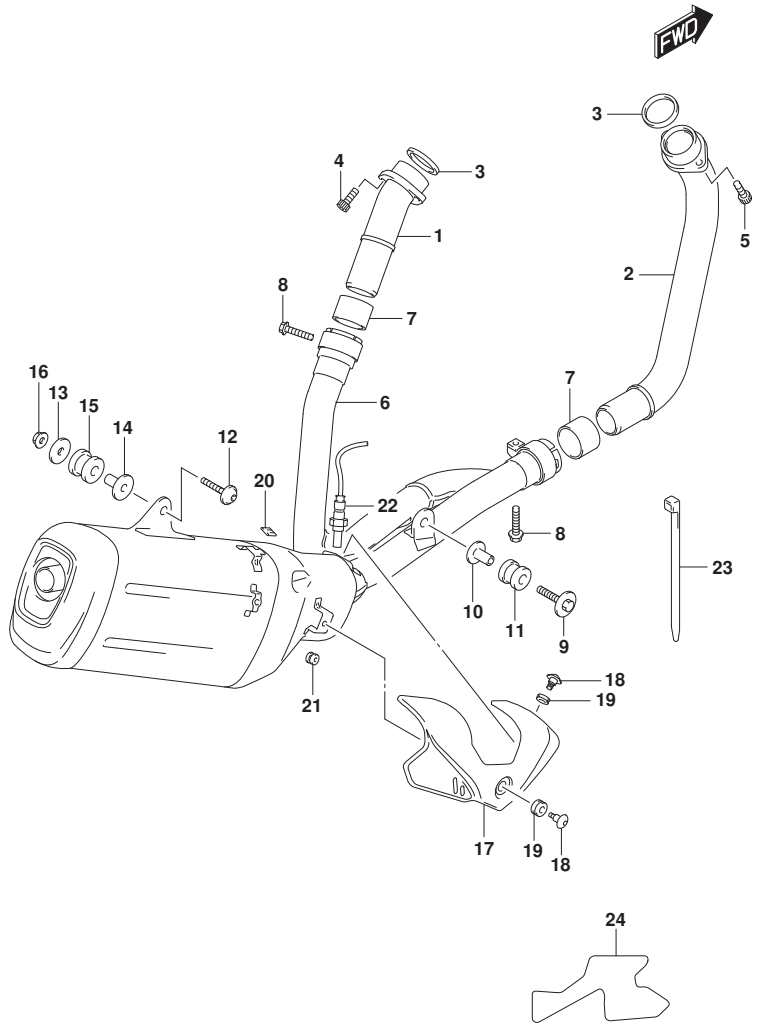


FIG.170A

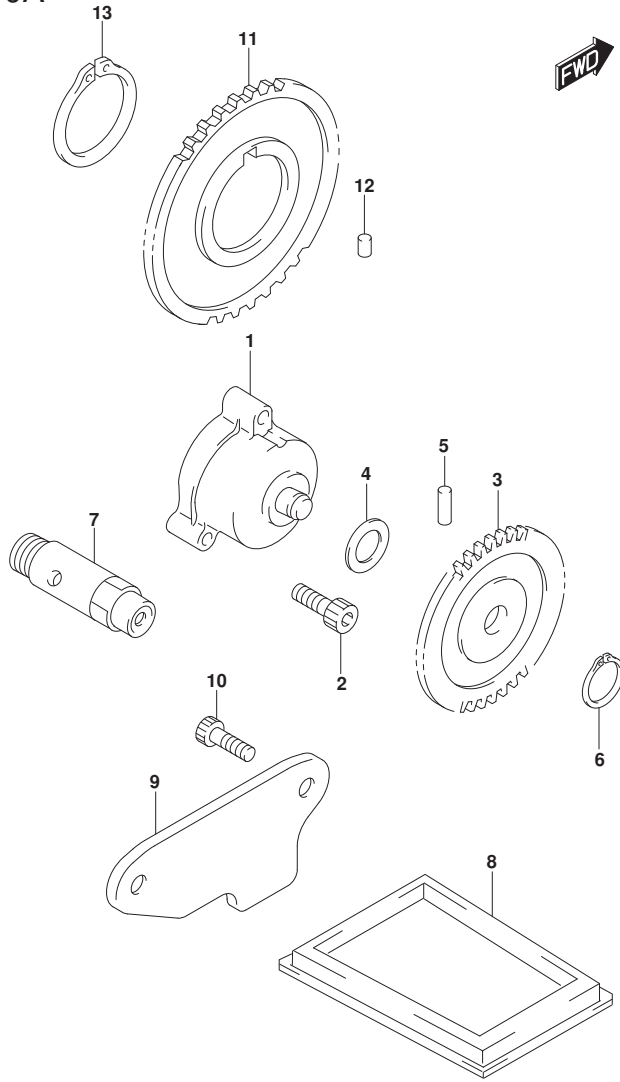


FIG.170A (1-C-2) OIL PUMP

REF NO.	PART NO.	DESCRIPTION	Q'TY	REMARKS
1	16400-20F00	PUMP ASSY, ENG OIL	1	
2	07130-0625A	BOLT	3	
3	16331-19F00	GEAR, ENG OIL PUMP DRIVEN (NT:34)	1	
4	09181-10158	SHIM (10X18X0.5)	1	
5	09261-04001	PIN (4X18.5)	1	
6	08331-31109	CIRCLIP	1	
7	16440-17C20	VALVE ASSY, OIL RELIEF	1	
8	16520-32E01	STRAINER, ENG OIL	1	
9	16523-17G00	CAP, OIL STRAINER	1	
10	07130-0612A	BOLT	2	
11	16321-19F00	GEAR, ENG OIL PUMP DRIVE (NT:45)	1	
12	09261-06002	PIN (6X6)	1	
13	08331-31383	CLIP	1	

FIG.172A

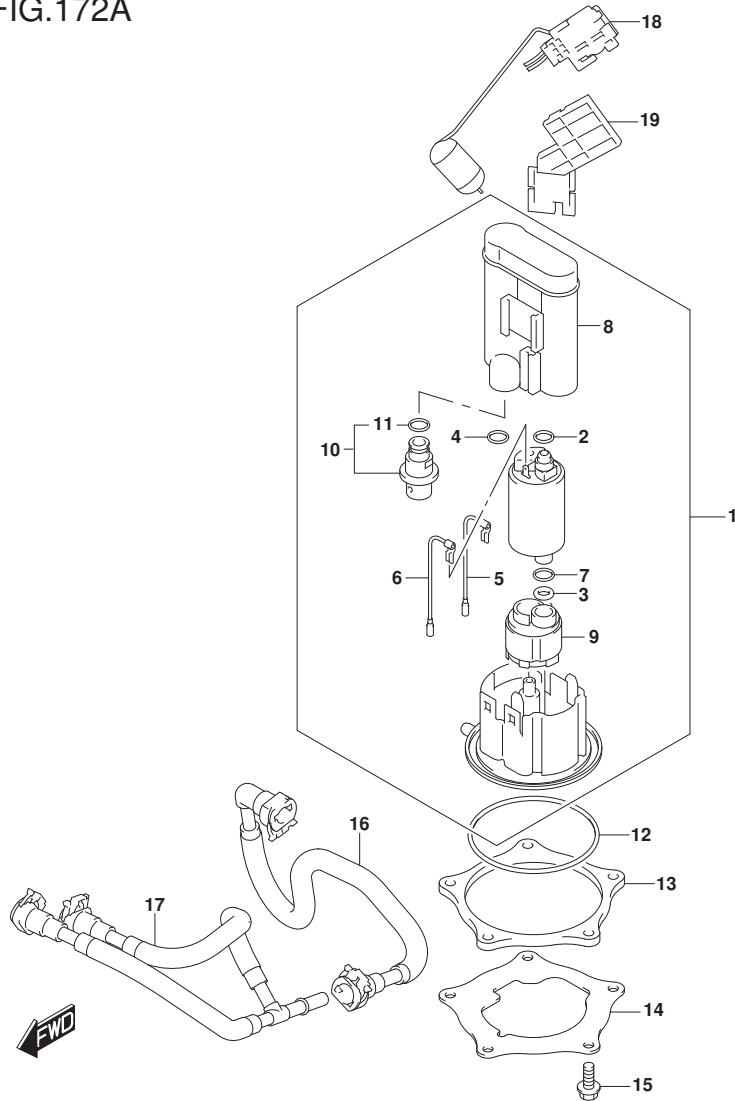


FIG.172A (1-C-3) FUEL PUMP

REF NO.	PART NO.	DESCRIPTION	Q'TY	REMARKS
1	15100-28K00	PUMP ASSY, FUEL	1	
2	15113-05H00	.O RING	1	
3	15113-17K00	.O RING	1	
4	15113-35F00	.O RING	1	
5	15114-17K00	.WIRE, EARTH	1	BLACK
6	15115-17K00	.WIRE, LEAD	1	BLUE
7	15116-17K00	.COLLAR	1	
8	15310-17K00	.FILTER	1	
9	15420-17K00	.STRAINER	1	
10	15610-17K00	.REGULATOR	1	
11	15113-48H00	..O RING	1	
12	15201-07L00	O RING	1	
13	15122-17K00	PLATE, FUEL PUMP INNER	1	
14	15121-28K00	PLATE, FUEL PUMP OUTER	1	
15	07120-0616A	BOLT	5	
16	15810-28K00	HOSE, FUEL NO.1	1	
17	15820-28K00	HOSE, FUEL NO.2	1	
18	34810-28K00	GAUGE ASSY, FUEL LEVEL SENDER	1	
19	34815-28K00	ATTACHMENT, FUEL LEVEL GAUGE	1	

FIG.178A

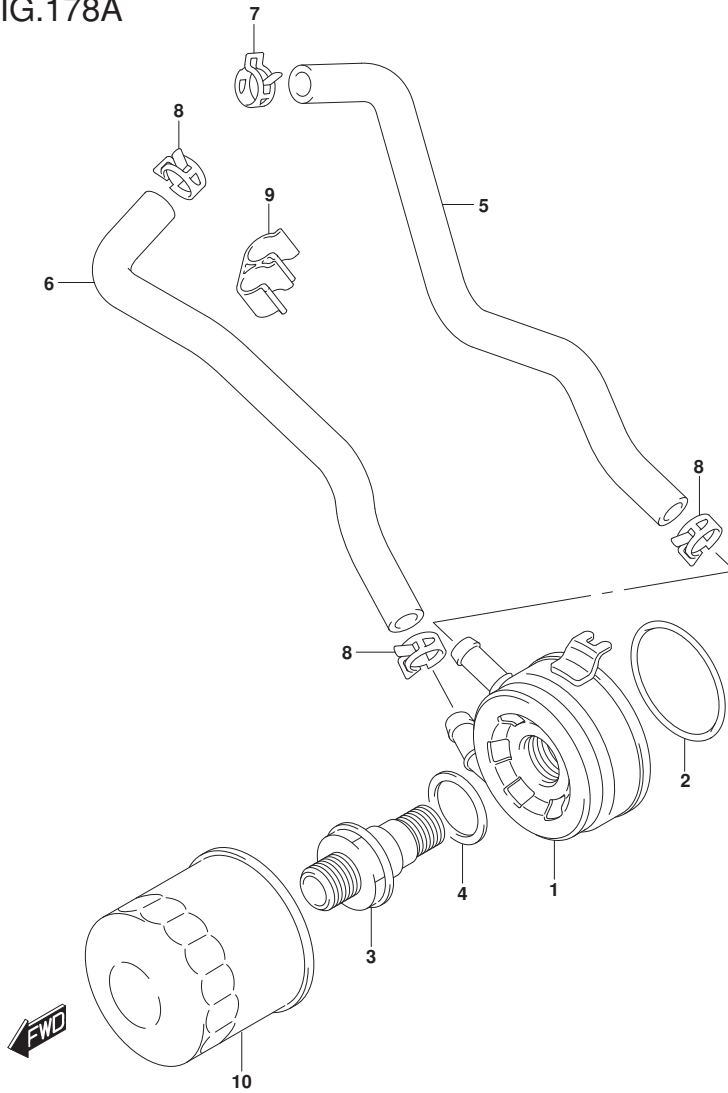


FIG.178A (1-C-4) OIL COOLER

REF NO.	PART NO.	DESCRIPTION	Q'TY	REMARKS
1	16600-44H00	COOLER ASSY, OIL	1	
2	09280-55002	O RING (D:3.1, ID:54.5)	1	
3	16591-02F00	BOLT, OIL COOLER UNION	1	
4	09181-25160	SHIM (25X34X0.7)	1	
5	16461-44H00	HOSE, OIL COOLER IN	1	
6	16471-44H00	HOSE, OIL COOLER OUT	1	
7	09401-16407	CLIP (ID:16.5)	1	
8	09401-16409	CLIP	3	
9	09408-00267	CLAMP	1	
10	16510-07J00	FILTER ASSY, ENGINE OIL (P1.0)	1	

FIG.180A

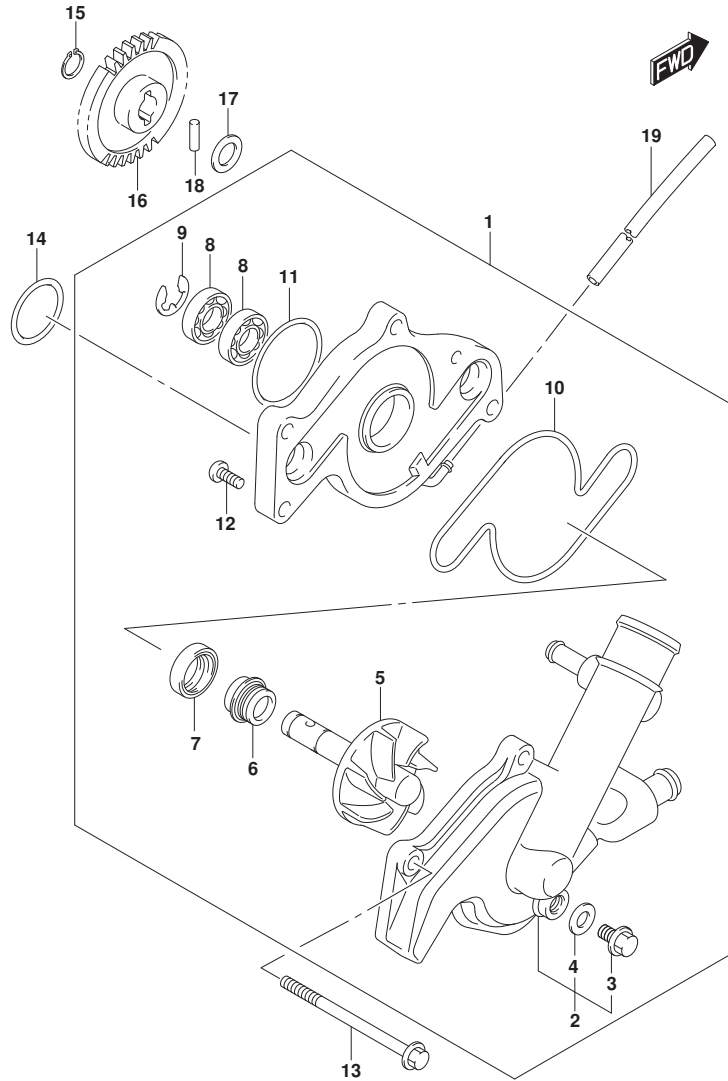


FIG.180A (1-C-5) WATER PUMP

REF NO.	PART NO.	DESCRIPTION	Q'TY	REMARKS
1	17400-44H01	PUMP ASSY, WATER	1	
2	17411-44H00	.CASE, WATER PUMP	1	
3	17415-20920	..BOLT, DRAIN	1	
4	09168-08008	..GASKET	1	
5	17491-19F40	.SHAFT, IMPELLER	1	
6	17470-02F11	.SEAL, WATER PUMP SHAFT MECH	1	
7	17461-48G00	..OIL SEAL (10X21X5)	1	
8	09262-10014	.BEARING (10X26X8)	2	
9	08332-1108A	.E RING	1	
10	17418-19F00	.O RING	1	
11	17435-33400	.O RING	1	
12	02112-0510A	.SCREW	2	
13	09103-06537	BOLT (6X70)	3	
14	09280-22001	O RING (D:2.4,ID:21.8)	2	
15	08331-31109	CIRCLIP	1	
16	17461-44H00	GEAR, WATER PUMP DRIVEN (NT:34)	1	
17	09181-10158	SHIM (10X18X0.5)	1	
18	09261-04002	ROLLER (4X13.8)	1	
19	09352-35654-320	HOSE (3.5X6.5X320)	1	



FIG.185A

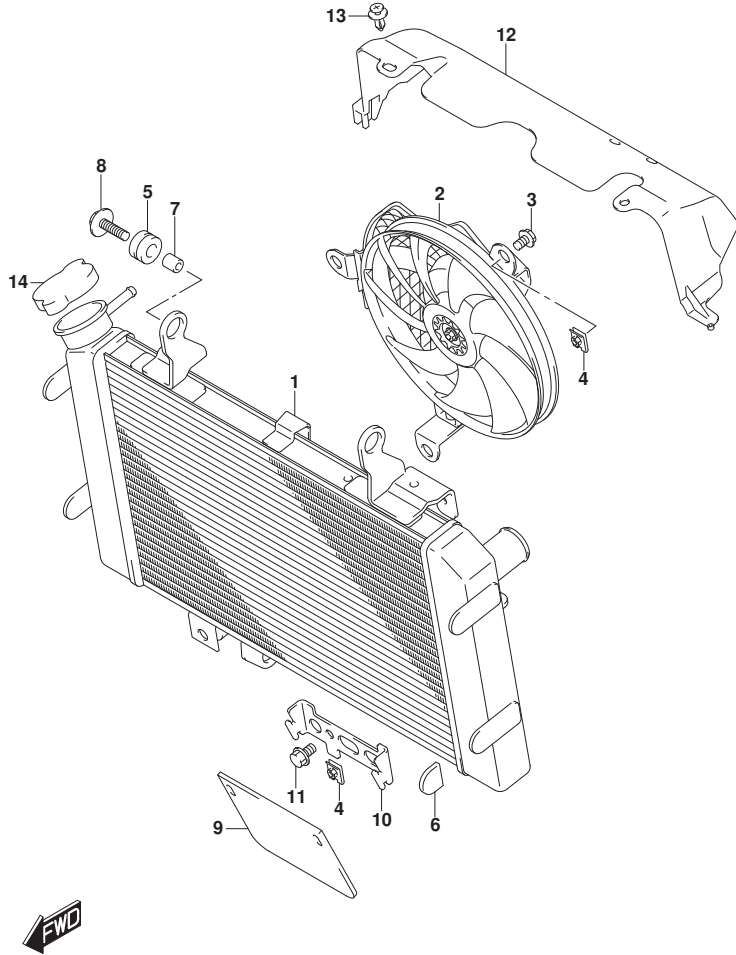


FIG.185A (1-C-6) RADIATOR

REF NO.	PART NO.	DESCRIPTION	Q'TY	REMARKS
1	17710-11J00	RADIATOR ASSY, WATER	1	
2	17800-11J00	FAN ASSY, RADIATOR	1	
3	17711-08J00	BOLT, FAN ASSY	3	
4	17712-40F00	NUT, FAN ASSY	3	
5	09320-10501	CUSHION	3	
6	09329-18001	CUSHION	4	
7	09180-06310	SPACER (6.5X10X10)	2	
8	09118-06097	BOLT (6X25)	2	
9	17781-17G00	RUBBER, RADIATOR UNDER	1	
10	17741-17G00	BRACKET, RDTR UNDER RUBBER	1	
11	01550-0612A	BOLT	1	
12	17771-11J00	SHIELD, RADIATOR HEAT	1	
13	09409-06322-5PK	CLIP (5.9X20.5) (BLACK)	2	
14	17730-08J00	CAP, RADIATOR (1.1)	1	

FIG.187A

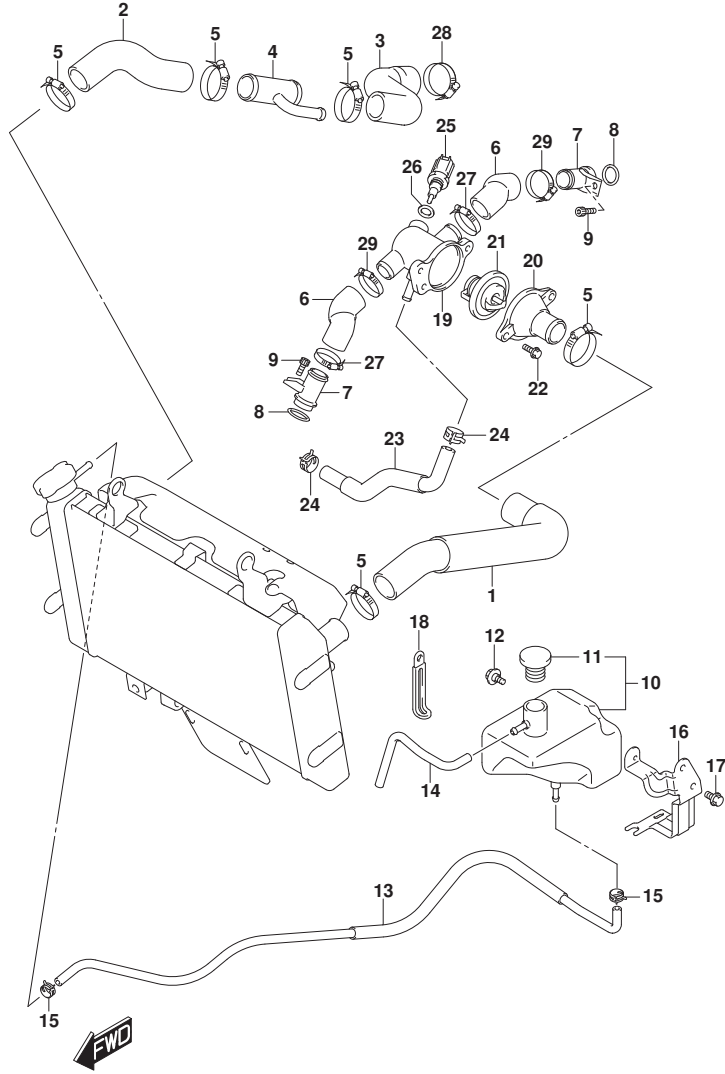


FIG.187A (1-C-7) RADIATOR HOSE

REF NO.	PART NO.	DESCRIPTION	Q'TY	REMARKS
1	17851-11J00	HOSE, RADIATOR INLET	1	
2	17852-44H20	HOSE, RADIATOR OUTLET NO.1	1	
3	17854-44H00	HOSE, RADIATOR OUTLET NO.2	1	
4	17880-44H00	UNION, WATER HOSE THREE WAY	1	
5	09401-29001	CLAMP	5	
6	17853-19F00	HOSE, CONNECTOR INLET	2	
7	17890-06G20	UNION, CONNECTOR HOSE	2	
8	09280-18008	O RING (D:3.2, ID:17.8)	2	
9	07130-0612A	BOLT	2	
10	17910-27G10	TANK ASSY, RESERVOIR	1	
11	17931-02FA0	.CAP, RESERVOIR TANK	1	
12	09111-06085	BOLT (6X12)	1	
13	17900-27810	HOSE SET, RSVR TANK INLET	1	
14	17982-15H00	HOSE, RESERVOIR TANK OVER FLOW	1	
15	09401-08411	CLIP (ID:8.6)	2	
16	17920-27G10	BRACKET, RSVR TANK	1	
17	01550-0610A	BOLT	2	
18	09404-06429	CLAMP (L:45)	1	
19	17662-02F11	CONNECTOR, THERMOSTAT INLET	1	
20	17663-17G00	CAP, THERMOSTAT CONNECTOR	1	
21	17670-06G61	THERMOSTAT, WATER	1	
22	01547-0616A	BOLT	2	
23	17856-44H00	HOSE, CONNECTOR TO WTR PMP	1	
24	09401-12414	CLAMP	2	
25	13650-49X00	SENSOR, TEMP	1	
26	09168-12017	GASKET (12X17X1)	1	
27	09401-24002	CLAMP	2	
28	09401-30003	CLAMP	1	
29	09401-25001	CLAMP	2	

FIG.189A

FIG.189A (1-C-8) 2ND AIR

REF NO.	PART NO.	DESCRIPTION	QTY	REMARKS
1	13150-28H10	VALVE ASSY, OIL REED	2	
2	18461-11J00	HOSE, 2ND AIR VALVE FR	1	
3	18471-11J00	HOSE, 2ND AIR VALVE RR	1	
4	18510-29G80	VALVE ASSY, AIR CUT	1	
5	18511-29G00	GROMMET, AIR CUT VALVE	2	
6	18531-06G10	COVER, 2ND AIR REED VALVE	2	
7	18711-11J00	HOSE, 2ND AIR CLNR	1	
8	09401-15101	CLIP	2	
9	09401-17201	CLIP	4	
10	01547-0620A	BOLT	4	

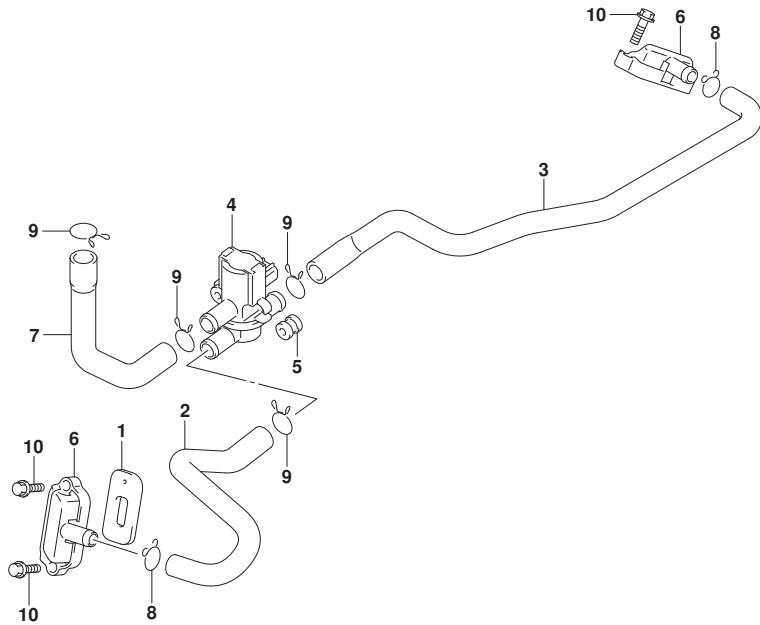
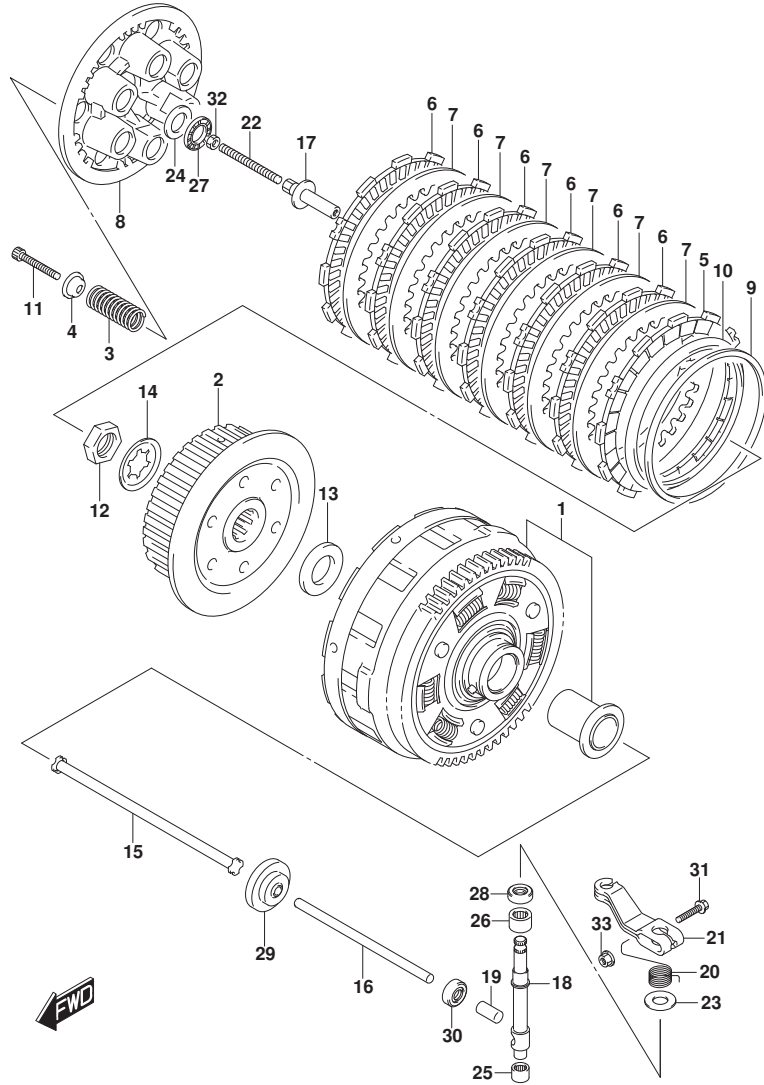


FIG.201A



DL650AM2\_E01\_201A  
CLUTCH

FIG.201A (1-C-9) CLUTCH

REF NO.	PART NO.	DESCRIPTION	Q'TY	REMARKS
1	21200-44860	GEAR ASSY, PRIMARY DRIVEN (NT:71)	1	
2	21411-44101	HUB, CLUTCH SLEEVE	1	
3	21413-17G10	SPRING, CLUTCH	6	
4	21414-29F00	WASHER	6	
5	21442-29F10	PLATE, CLUTCH DRIVE NO.2 (T:3.0)	1	
6	21441-29F30	PLATE, CLUTCH DRIVE (T:3.0)	6	
7	21451-28C31	PLATE, CLUTCH DRIVEN (T:1.6)	6	
8	21462-16501	DISC, CLUTCH PRESSURE	1	
9	21471-17G00	SEAT, WAVE WASHER	1	
10	21472-17G00	WASHER, CLUTCH PLATE WAVE	1	
11	21482-41G10	BOLT, CLUTCH SPRING	6	
12	09140-20001	NUT	1	
13	09160-20067	WASHER (20X36X3)	1	
14	09167-20006	LOCK WASHER	1	
15	23110-44111	ROD, PUSH RH	1	
16	23111-15501	ROD, CLUTCH PUSH LH	1	
17	23121-44H00	PIECE, CLUTCH PUSH	1	
18	23122-44H00	CAMSHAFT, CLUTCH RELEASE	1	
19	23123-41G00	CAP, CLUTCH PUSH ROD	1	
20	23125-11J00	SPRING, CLUTCH RELEASE RETURN	1	
21	23271-44H21	ARM, CLUTCH RELEASE	1	
22	09134-06015	SCREW (6X73)	1	
23	09160-10020	WASHER (10.5X24X1.0)	1	
24	09160-15045	WASHER (15.5X28X1)	1	
25	09263-10014	BEARING (10X14X10)	1	
26	09263-12027	BEARING (12X18X12)	1	
27	09263-15003	BEARING (15X28X2)	1	
28	09282-10012	OIL SEAL (10X20X6)	1	
29	09283-06008	OIL SEAL (6X34X10.5)	1	
30	09285-10004	OIL SEAL (10X17X5)	1	
31	01550-0625A	BOLT	1	
32	08310-0006A	NUT	1	
33	08316-1006A	NUT (6X12)	1	

DL650AM2\_E01

FIG.206A

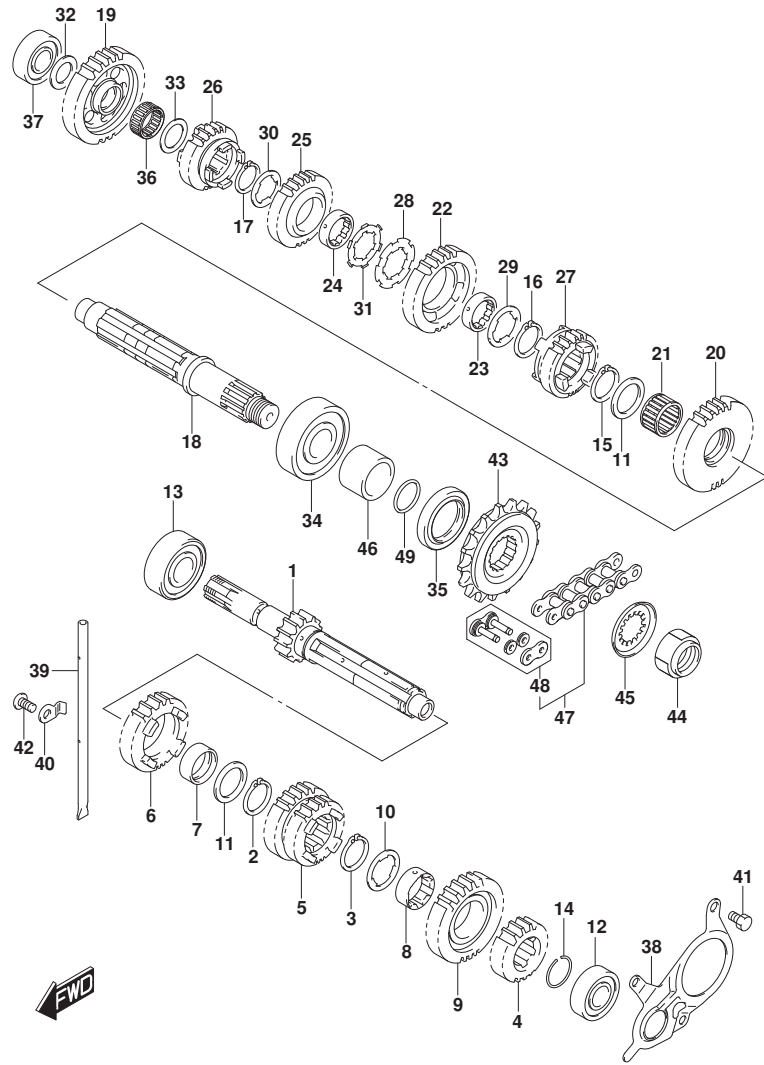
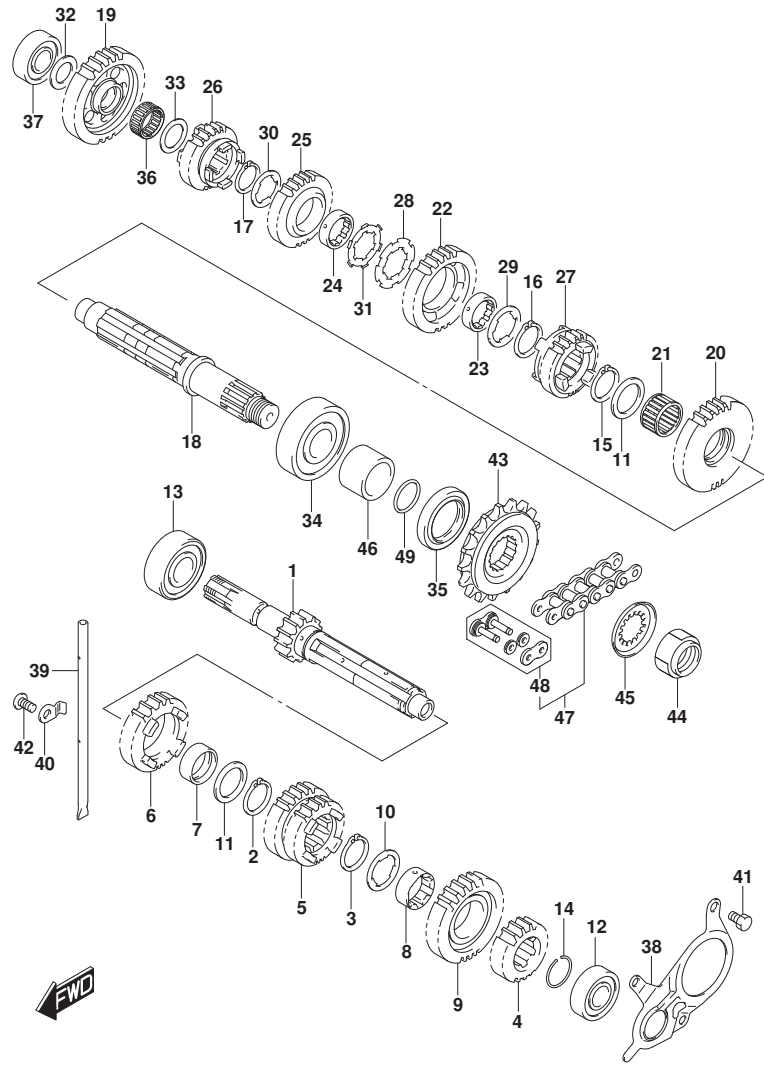


FIG.206A (1-C-10) TRANSMISSION

REF NO.	PART NO.	DESCRIPTION	Q'TY	REMARKS
1	24120-27G00	SHAFT, COUNTER (NT:13)	1	
2	24127-19F00	CIRCLIP	1	
3	24127-19F00	CIRCLIP	1	
4	24221-20F10	GEAR, 2ND DRIVE (NT:18)	1	
5	24231-20F10	GEAR, 3RD & 4TH DRIVE (NT:21/24)	1	
6	24251-20F02	GEAR, 5TH DRIVE (NT:26)	1	
7	24252-19F00	BUSH	1	
8	24252-38A10	BUSH, 6TH DRIVE GEAR	1	
9	24261-20F00	GEAR, 6TH DRIVE GEAR (NT:27)	1	
10	09167-25021	LOCK WASHER (25.1X33X1.0)	1	
11	09181-25167	SHIM (25X34X1)	2	
12	09262-17046	BEARING (17X40X12)	1	LH
13	09262-20145	BEARING (20X52X15)	1	RH
14	09380-25012	CIRCLIP	1	
15	24127-19F00	CIRCLIP	1	
16	24127-19F00	CIRCLIP	1	
17	24127-19F00	CIRCLIP	1	
18	24130-44H40	SHAFT, DRIVE	1	
19	24311-44H00	GEAR, 1ST DRIVEN (NT:32)	1	
20	24321-44H20	GEAR, 2ND DRIVEN (NT:32)	1	
21	09263-25069	BEARING	1	
22	24331-44H00	GEAR, 3RD DRIVEN (NT:29)	1	
23	24332-24510	BUSH, DRIVEN GEAR	1	
24	24332-24510	BUSH, DRIVEN GEAR	1	
25	24341-44H00	GEAR, 4TH DRIVEN (NT:27)	1	
26	24351-44H10	GEAR, 5TH DRIVEN (NT:25)	1	
27	24361-44H00	GEAR, 6TH DRIVEN (NT:23)	1	
28	09167-25013	LOCK WASHER (25.1X41X1.5)	1	
29	09167-25021	LOCK WASHER (25.1X33X1.0)	1	
30	09167-25021	LOCK WASHER (25.1X33X1.0)	1	
31	09169-25001	WASHER (25.1X37X2.5)	1	
32	09181-17195	SHIM (17X28X1.0)	1	
33	09181-20195	SHIM (20X30X1)	1	
34	09262-25190	BEARING (25X62X17)	1	LH
35	09283-36011	OIL SEAL (36X50X6)	1	

FIG.206A



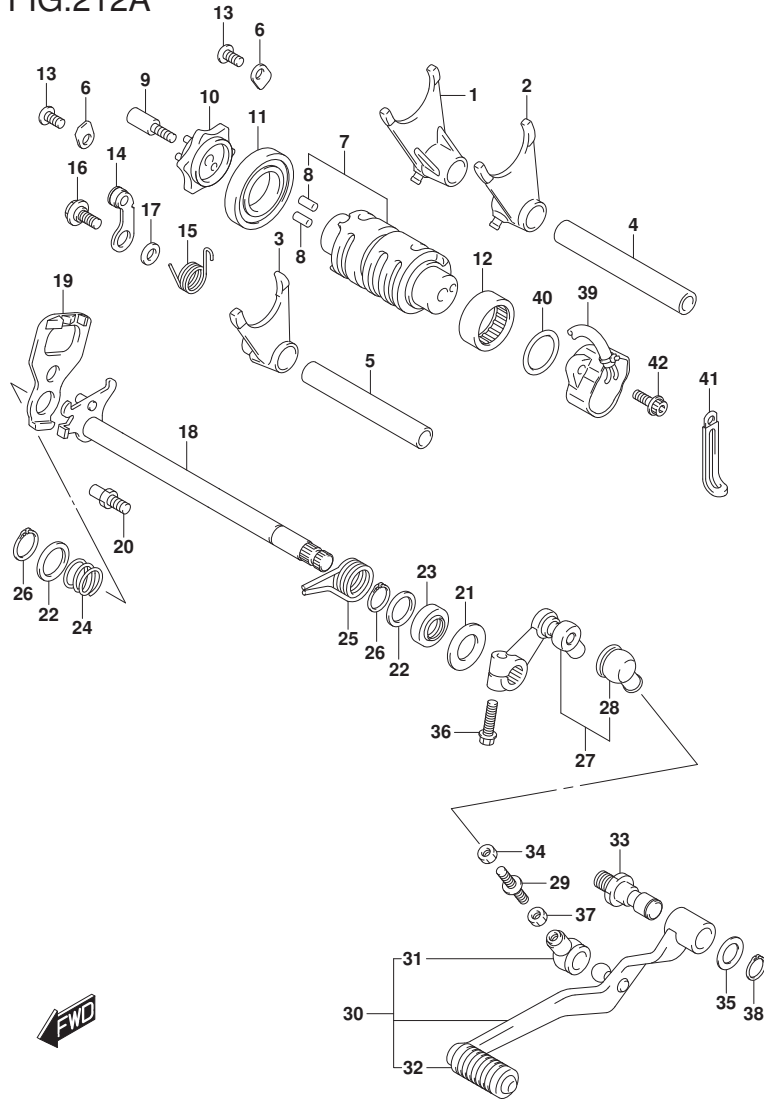
DL650AM2\_E01\_206A  
TRANSMISSION

FIG.206A (1-C-11) TRANSMISSION

REF NO.	PART NO.	DESCRIPTION	Q'TY	REMARKS
36	09263-20115	BEARING	1	
37	08113-6203A	BEARING	1	RH
38	24751-19F10	RETAINER, DRIVE SHAFT OIL SEAL	1	
39	24881-12C30	GUIDE, T/M OIL	1	
40	24885-12C10	RETAINER, TRANSMISSION OIL	1	
41	01500-0612A	BOLT	3	
42	02112-0612A	SCREW	1	
43	27510-20F21	SPROCKET, ENGINE (NT:15)	1	
44	09159-20004	NUT	1	
45	09167-25028	LOCK WASHER	1	
46	27531-19F10	SPACER, ENGINE SPROCKET	1	
47	27600-06G40-120	CHAIN ASSY, DRIVE (RK525SMOZ8)	1	L:120->118
48	27620-06G40	JOINT SET, DRIVE CHAIN	1	
49	09280-24010	O RING (D:2.4,ID:23.7)	1	

DL650AM2\_E01

FIG.212A



DL650AM2\_E01\_212A  
GEAR SHIFTING

FIG.212A (1-C-12) GEAR SHIFTING

REF NO.	PART NO.	DESCRIPTION	Q'TY	REMARKS
1	25211-42E20	FORK, GEAR SHIFT NO.1	1	
2	25221-42E20	FORK, GEAR SHIFT NO.2	1	
3	25231-42E20	FORK, GEAR SHIFT NO.3	1	
4	25411-26D01	SHAFT, GEAR SHIFT FORK	1	
5	25411-44B00	SHAFT, GEAR SHIFT FORK NO.1	1	
6	24741-21A00	RETAINER	2	
7	25310-19F00	CAM, GEAR SHIFT	1	
8	04221-04089	.PIN	2	
9	25312-42F01	BOLT, GEAR SHIFT CAM PLATE	1	
10	25381-19F20	PLATE, GEAR SHIFT CAM	1	
11	09262-25006	BEARING (25X47X8)	1	
12	09263-25018	BEARING (25X32X12)	1	
13	02112-0612A	SCREW	2	
14	25350-35F00	STOPPER, SHIFT CAM	1	
15	25355-35F01	SPRING, SHIFT	1	
16	09111-06041	BOLT (6X14.3)	1	
17	08211-06141	WASHER	1	
18	25510-19F10	SHAFT, GEAR SHIFT	1	
19	25512-06G20	PLATE, GEAR SHIFT CAM DRIVE	1	
20	25671-01011	STOPPER, GEAR SHIFT ARM	1	
21	09160-14016	WASHER (14X29X0.8)	1	
22	09181-14167	SHIM (14X22X1.0)	2	
23	09283-14005	OIL SEAL (14X22X7.3)	1	
24	09440-17009	SPRING	1	
25	25518-06L00	SPRING, GEAR SHIFT SHAFT RETURN	1	
26	08331-3114A	CIRCLIP	3	
27	25520-27G01	ARM, GEAR SHIFT LINK	1	
28	25526-47001	.COVER, DUST	1	
29	25525-27G00	ROD, GEAR SHIFT LINK	1	
30	25600-11J01	LEVER ASSY, GEAR SHIFT	1	
31	25526-47001	.COVER, DUST	1	
32	25652-20C00	.RUBBER, GEAR SHIFT PEDAL	1	
33	25617-03F10	SHAFT, GEAR SHIFT LEVER	1	
34	08310-00067	NUT	1	
35	09160-12011	WASHER (12.5X20X1.0)	1	

DL650AM2\_E01

FIG.212A

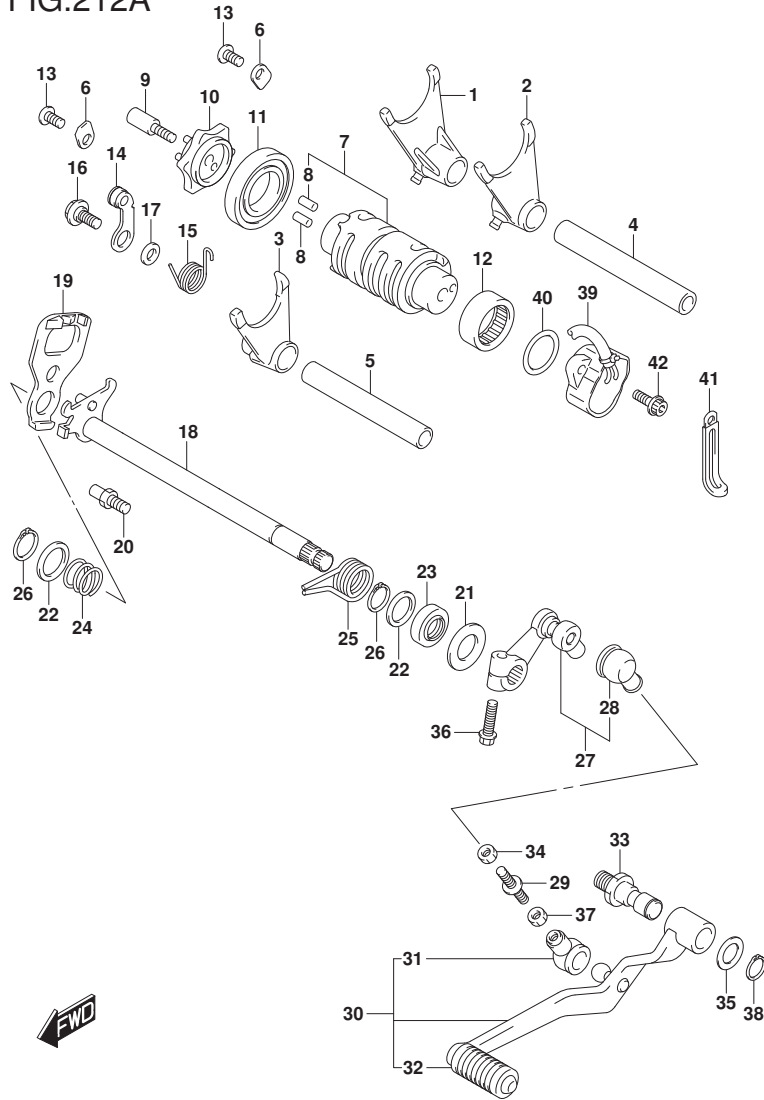


FIG.212A (1-C-13) GEAR SHIFTING

REF NO.	PART NO.	DESCRIPTION	Q'TY	REMARKS
36	01547-0620A	BOLT	1	
37	09140-06025	NUT	1	
38	08331-3112A	CIRCLIP	1	
39	37730-44H10	SENSOR ASSY, GEAR POSITION	1	
40	09280-26005	O RING (D:2.4, ID:26.2)	1	
41	09404-08422	CLAMP (L:80)	1	
42	09106-05023	BOLT (5X16)	2	



FIG.301A

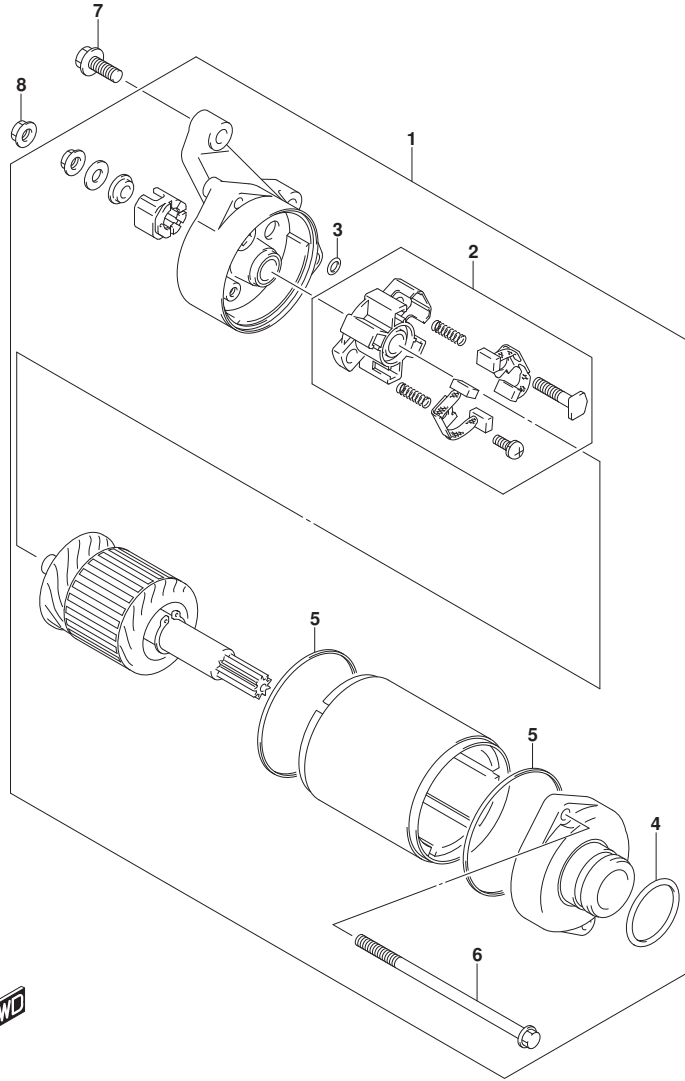


FIG.301A (1-C-14) STARTING MOTOR

REF NO.	PART NO.	DESCRIPTION	Q'TY	REMARKS
1	31100-19F10	MOTOR ASSY, STARTING	1	
2	31132-18H00	.BRUSH HOLDER SET	1	
3	31143-49040	.O RING	1	
4	31156-98E00	.O RING (D:3.1,ID:24.4)	1	
5	31264-38F10	.SQUARE RING	2	
6	31280-19F10	.SET BOLT	2	
7	01547-0625A	BOLT	2	
8	08361-3506A	NUT	1	

FIG.303A

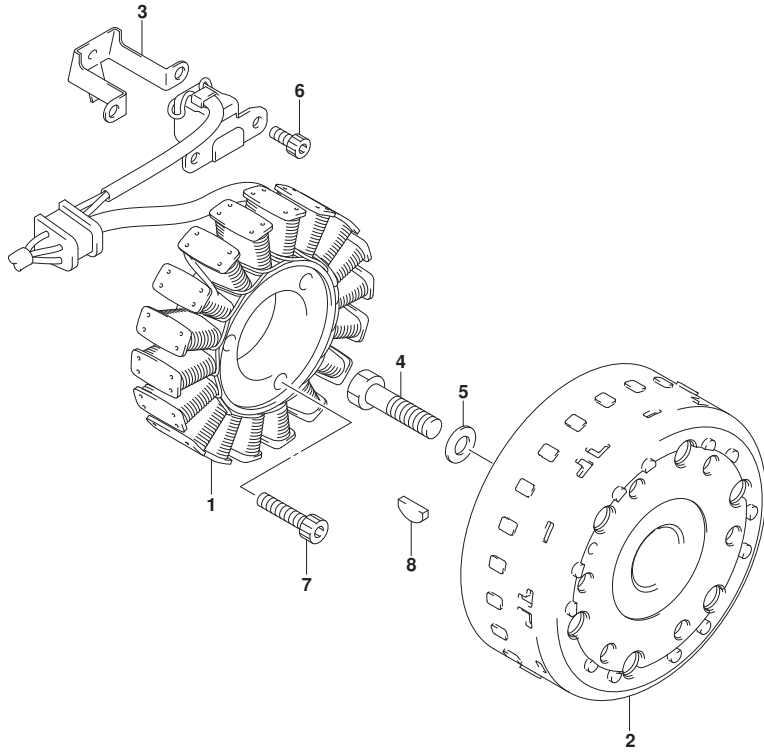


FIG.303A (1-D-2) MAGNETO

REF NO.	PART NO.	DESCRIPTION	Q'TY	REMARKS
1	32101-28K00	STATOR ASSY	1	
2	32102-28K00	ROTOR ASSY	1	
3	32371-19F10	CLAMP, MAGNETO LEAD	1	
4	09103-12004	BOLT (12X40)	1	
5	09160-12036	WASHER (12X30X3.0)	1	
6	07130-0512A	BOLT	2	
7	07130-0635A	BOLT	3	
8	09420-04008	KEY (B:4,D:16,H6.5)	1	

FIG.310A

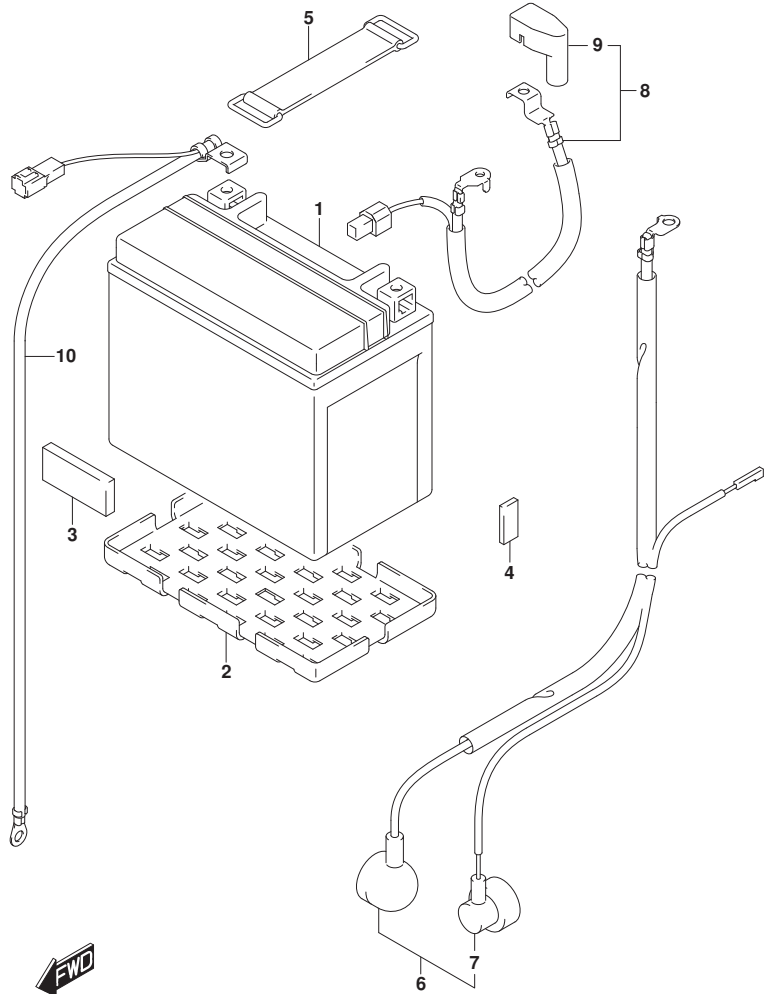


FIG.310A (1-D-3) BATTERY

REF NO.	PART NO.	DESCRIPTION	Q'TY	REMARKS
1	33630-48E01	BATTERY ASSY	1	FTX12-BS,12V10AH
2	33652-16G00	PROTECTOR, BATTERY	1	
3	33652-08420	PROTECTOR, BATTERY (70X100X6.0)	1	CUT AS REQUIRED
4	44543-10G00	CUSHION, FUEL TANK NO.2 (20X40X3.0)	1	CUT AS REQUIRED
5	09462-00007	BAND	1	
6	33810-28K00	WIRE, STARTER MOTOR LEAD	1	
7	36618-31J00	.CAP, OIL PRESSURE SWITCH	1	
8	33820-28K00	WIRE, BATTERY PLUS LEAD (+)	1	
9	33624-27G00	.CAP, BATTERY PLUS LEAD (+)	1	
10	33860-28K10	WIRE, BATTERY MINUS (-)	1	



FIG.330A

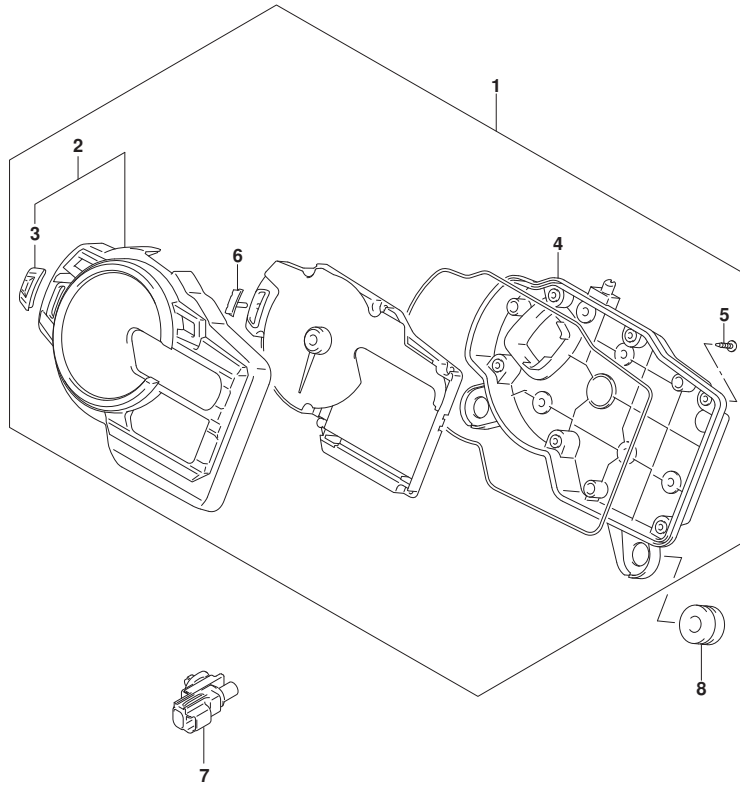


FIG.330A (1-D-5) SPEEDOMETER

REF NO.	PART NO.	DESCRIPTION	Q'TY	REMARKS
1	34100-28K00	SPEEDOMETER ASSY	1	
2	34150-28K00	.CASE, UPPER	1	
3	34126-31J00	..RUBBER SWITCH	1	
4	34152-28K00	.CASE, LOWER	1	
5	34183-29F00	.SCREW (3X12)	6	
6	34124-31J00	.KNOB	1	
7	95643-58J00	SENSOR, AIR TEMP	1	
8	34189-08J01	CUSHION, SPEEDOMETER	2	

FIG.333A

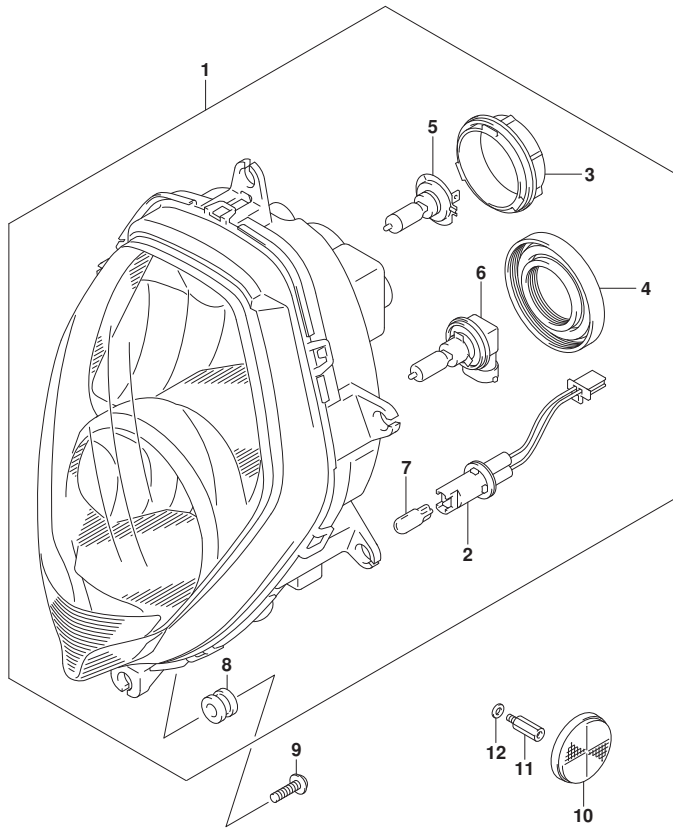


FIG.333A (1-D-6) HEADLAMP

REF NO.	PART NO.	DESCRIPTION	QTY	REMARKS
1	35100-31J01	HEADLAMP ASSY	1	
2	35171-31J00	.CORD ASSY	1	
3	35179-31J00	.COVER	1	
4	35142-31J00	.SEAL COVER	1	
5	09471-12188	.BULB (12V55W/H7/PX26D)	1	
6	09471-12222	.BULB (12V65W)	1	
7	09471-12216	.BULB (12V5W)	1	
8	09320-07014	.CUSHION	6	
9	09136-05062	SCREW (5X15)	6	
10	35950-13K01	REFLEX REFLECTOR ASSY, FR SIDE	2	
11	09119-05023	BOLT	2	
12	08322-0105A	WASHER	2	

FIG.334A

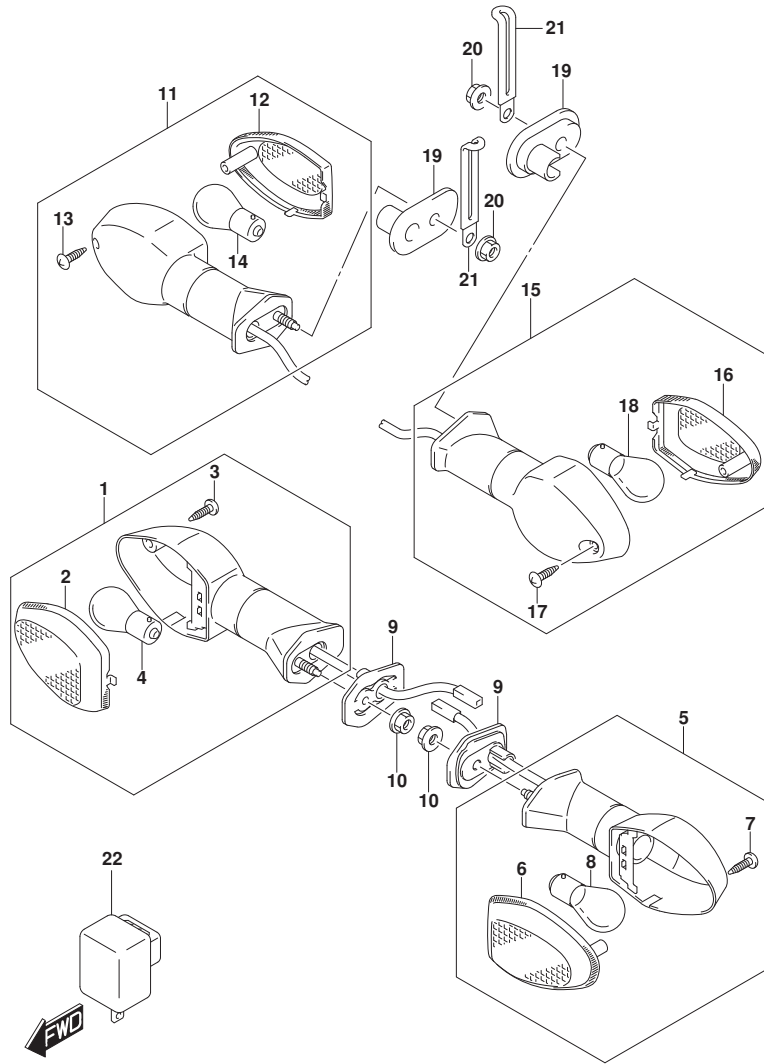


FIG.334A (1-D-7) TURN SIGNAL LAMP

REF NO.	PART NO.	DESCRIPTION	Q'TY	REMARKS
1	35601-08JA0	LAMP ASSY, FRONT TURN SIGNAL RH	1	
2	35612-08JA0	.LENS, RH	1	
3	03211-0414B	.SCREW	1	
4	09471-12186	.BULB (12V21W)	1	AMBER
5	35602-08JA0	LAMP ASSY, FRONT TURN SIGNAL LH	1	
6	35632-08JA0	.LENS, LH	1	
7	03211-0414B	.SCREW	1	
8	09471-12186	.BULB (12V21W)	1	AMBER
9	35629-18G00	PLATE, FRONT TURN SIGNAL	2	
10	08316-1005A	NUT	2	
11	35603-08JA0	LAMP ASSY, RR TURN SIGNAL RH	1	
12	35632-08JA0	.LENS, LH RH	1	
13	03211-0414B	.SCREW	1	
14	09471-12186	.BULB (12V21W)	1	AMBER
15	35604-08JA0	LAMP ASSY, RR TURN SIGNAL LH	1	
16	35612-08JA0	.LENS, RH LH	1	
17	03211-0414B	.SCREW	1	
18	09471-12186	.BULB (12V21W)	1	AMBER
19	35629-31F40	PLATE, TURN SIGNAL LAMP	2	
20	08316-1005A	NUT	2	
21	09404-06429	CLAMP (L:45)	2	
22	38610-06F01	RELAY ASSY, TURN SIGNAL LAMP	1	

FIG.339A

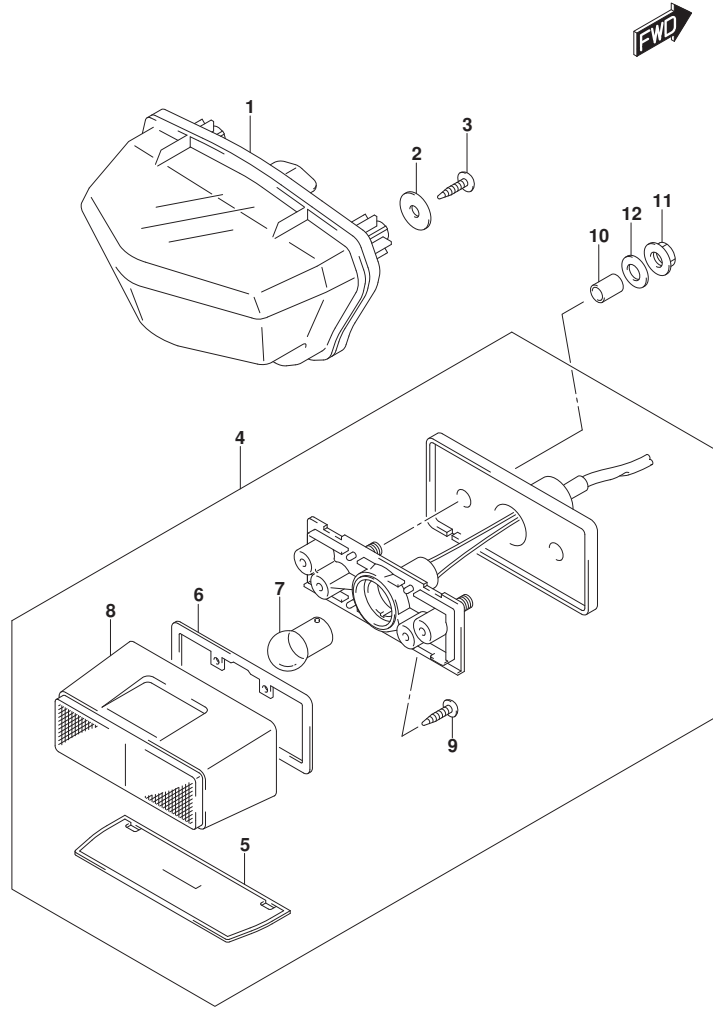
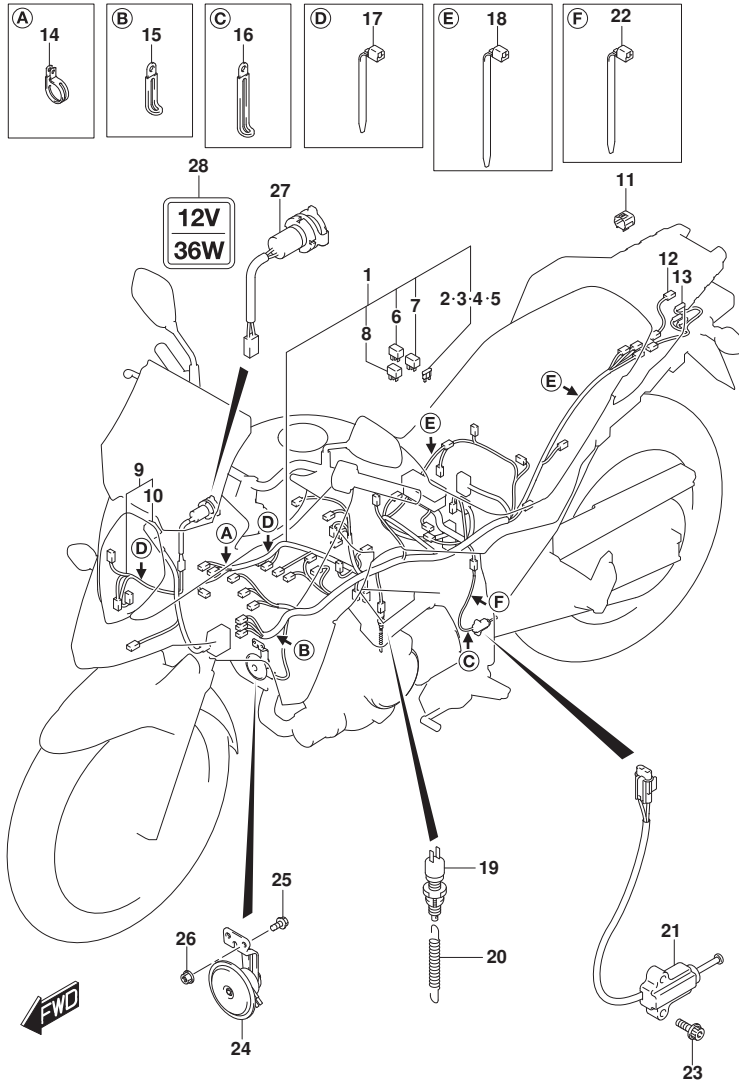


FIG.339A (1-D-8) REAR COMBINATION LAMP

REF NO.	PART NO.	DESCRIPTION	Q'TY	REMARKS
1	35710-31J01	LAMP ASSY, RR COMB	1	
2	09160-05501	WASHER (5.5X20X1.2)	3	
3	03541-0516A	SCREW	3	
4	35910-41GB2	LAMP ASSY, LICENSE	1	
5	35912-41G01	.LENS, LICENSE	1	
6	35913-41G00	.GASKET	1	
7	09471-12140	.BULB (12V5W)	1	
8	35917-41G00	.COVER, LICENSE LAMP	1	
9	03211-0416A	.SCREW	2	
10	09180-06248	SPACER (6.1X8X9.5)	2	
11	08316-1006A	NUT (6X12)	2	
12	09160-06077	WASHER (6.5X20X1.2)	2	



FIG.350A



DL650AM2\_E01\_350A  
WIRING HARNESS

FIG.350A (1-D-9) WIRING HARNESS

REF NO.	PART NO.	DESCRIPTION	Q'TY	REMARKS
1	36610-28K00	HARNESS, WIRING NO.1	1	
2	09481-03501	.FUSE (3A)	1	
3	09481-10504	.FUSE (10A)	2	
4	09481-15504	.FUSE (15A)	5	
5	09481-25504	.FUSE (25A)	1	
6	38860-76F01	.RELAY ASSY	1	FOR FUEL PUMP
7	38860-76F01	.RELAY ASSY	1	FOR FAN MOTOR
8	38860-76F01	.RELAY ASSY	1	FOR SIDE STAND
9	36620-28K00	HARNESS, WIRING NO.2	1	
10	36618-41G00	.COVER, CONNECTOR	1	
11	36654-06J01	CAP, TS	1	
12	36853-28K00	WIRE, REAR COMB LEAD	1	
13	36856-28K00	WIRE, REAR TURN SIGNAL LEAD	1	
14	09403-26402	CLAMP	1	
15	09404-06030	CLAMP (L:80)	1	
16	09404-06429	CLAMP (L:45)	1	
17	09407-14403	CLAMP (L:125)	2	
18	09407-18402	CLAMP (L:165)	2	
19	37740-31D00	SWITCH ASSY, STOP LAMP	1	
20	09443-06012	SPRING	1	
21	37840-06G01	SWITCH ASSY, SIDE STAND	1	
22	09407-10404	CLAMP (L:100)	1	
23	01550-0616A	BOLT	2	
24	38500-11J00	HORN ASSY	1	
25	09118-06017	BOLT (6X16)	2	
26	08316-1006A	NUT (6X12)	2	
27	38850-31J00	TERMINAL, POWER SOURCE	1	
28	38852-28K01	LABEL, MAX AMP	1	

DL650AM2\_E01

FIG.352A

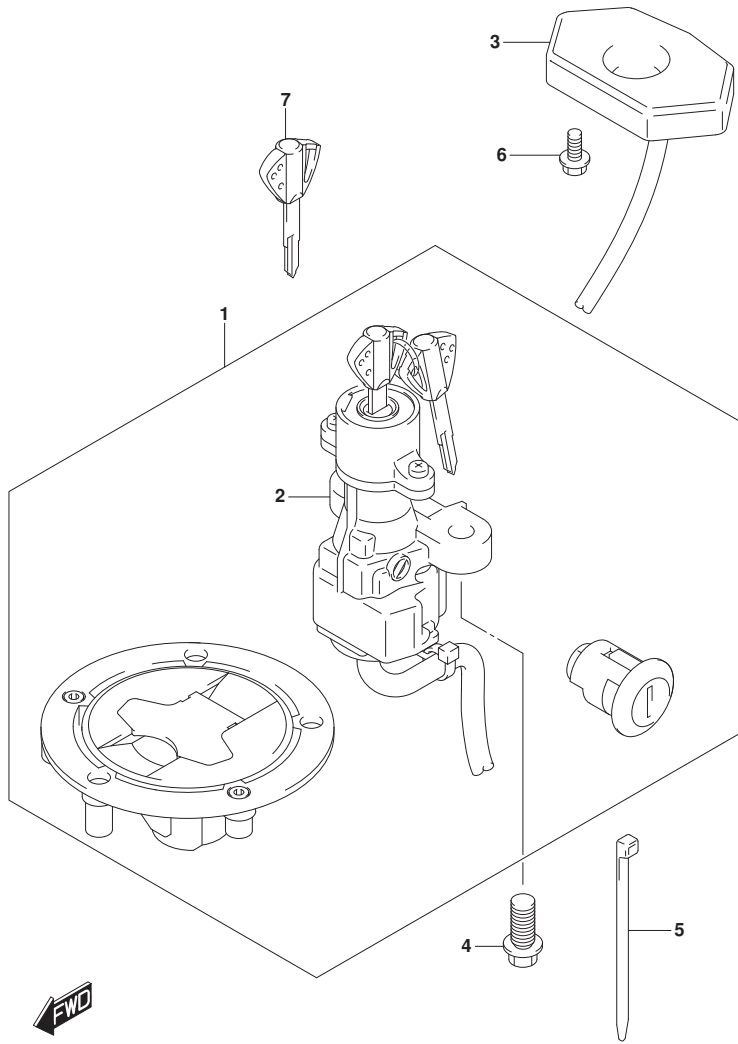


FIG.352A (1-D-10) LOCK SET

REF NO.	PART NO.	DESCRIPTION	Q'TY	REMARKS
1	37101-28810	LOCK SET	1	
2	37100-28K00	.LOCK ASSY, STEERING	1	
3	37180-11J04	ANTENNA ASSY, IMMOBILIZER	1	
4	37152-17K00	BOLT, STEERING LOCK	2	
5	09407-14407	CLAMP (L:145)	2	
6	01547-0512A	BOLT	2	
7	37146-13K00	KEY, BLANK	1	OPT

FIG.352B

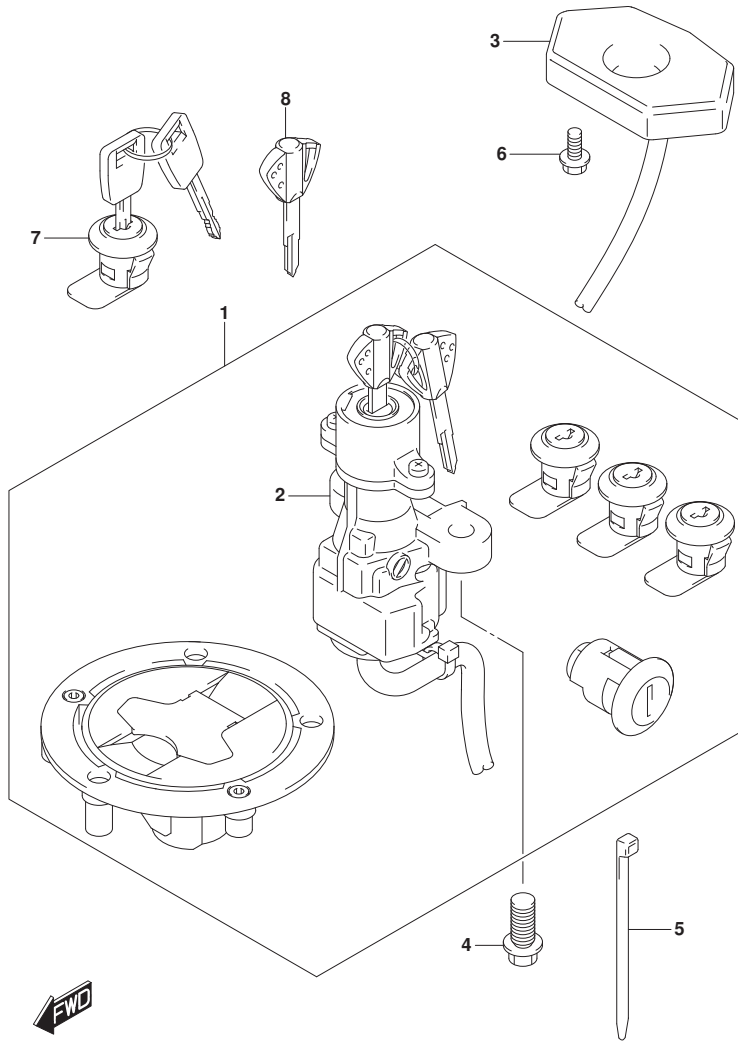


FIG.352B (1-D-11) LOCK SET (FOR TOP CASE, SIDE CASE)

REF NO.	PART NO.	DESCRIPTION	Q'TY	REMARKS
1	37101-28820	LOCK SET	1	
2	37100-28K00	.LOCK ASSY, STEERING	1	
3	37180-11J04	ANTENNA ASSY, IMMOBILIZER	1	
4	37152-17K00	BOLT, STEERING LOCK	2	
5	09407-14407	CLAMP (L:145)	2	
6	01547-0512A	BOLT	2	
7	37146-13K00	KEY, BLANK	1	OPT
8	95700-31870	LOCK SET, CASE	3	

FIG.355A

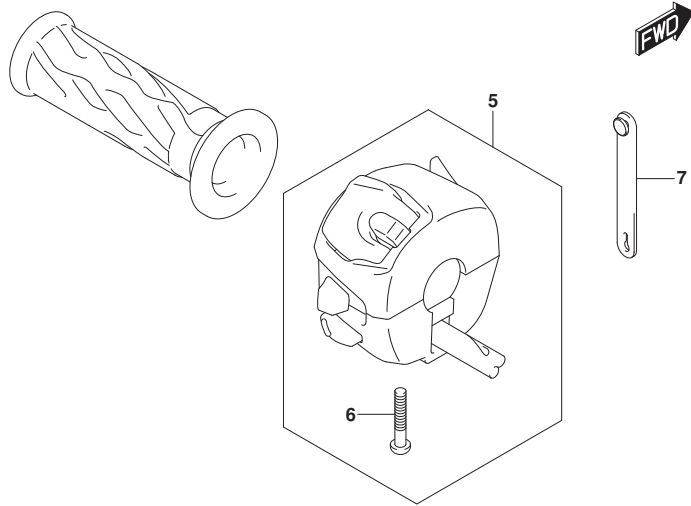


FIG.355A (1-D-12) HANDLE SWITCH

REF NO.	PART NO.	DESCRIPTION	Q'TY	REMARKS
1	37200-28K00	SWITCH ASSY, HANDLE RH	1	
2	02112-0530B	.SCREW	1	
3	02112-0550B	.SCREW	1	
4	09407-14407	CLAMP (L:145)	1	
5	37400-28K00	SWITCH ASSY, HANDLE LH	1	
6	02112-0525B	.SCREW	2	
7	36990-06L00	CLAMP, HANDLE SWITCH (L:145)	3	

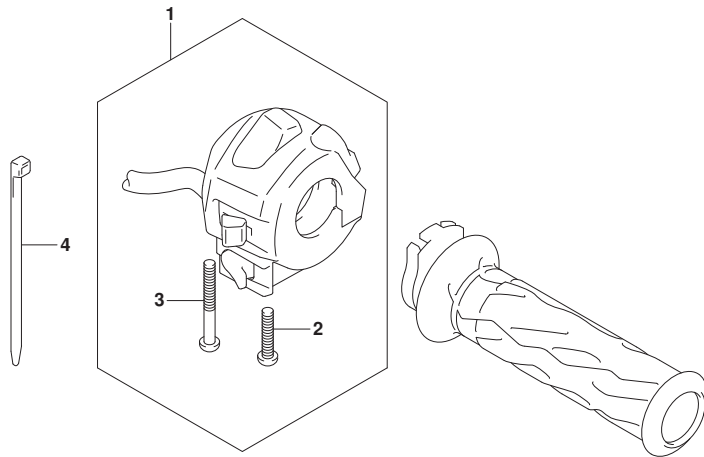


FIG.401A

FIG.401A (1-D-13) FRAME

REF NO.	PART NO.	DESCRIPTION	Q'TY	REMARKS
1	41100-27GB0-YAP	FRAME (BLACK)	1	
2	41200-28K01	RAIL, SEAT	1	
3	09103-10379	BOLT (10X30)	4	
4	41911-06G90-YAP	BRACKET, ENG MTG RH (BLACK)	1	
5	41912-06G90-YAP	BRACKET, ENG MTG LH (BLACK)	1	
6	09106-08193	BOLT (8X30)	8	
7	41923-16G00	BOLT, CRANK CASE ADJUST CTR	1	
8	41922-19F20	NUT, CRANK CASE ADJUST CTR	1	
9	41921-16G01	BOLT, CRANK CASE ADJUST LWR	1	
10	41922-33E20	NUT, CRANK CASE ADJUST LWR	1	
11	41941-19F01	SPACER, MOUNTING REAR UPPER RH	1	UPPER
12	09106-08168	BOLT (8X38)	1	
13	43585-27G10	COVER, PIVOT RH	1	
14	43595-27G00	COVER, PIVOT LH	1	
15	43585-28K00	TAPE, FRAME PIVOT RH	1	
16	43595-28K00	TAPE, FRAME PIVOT LH	1	

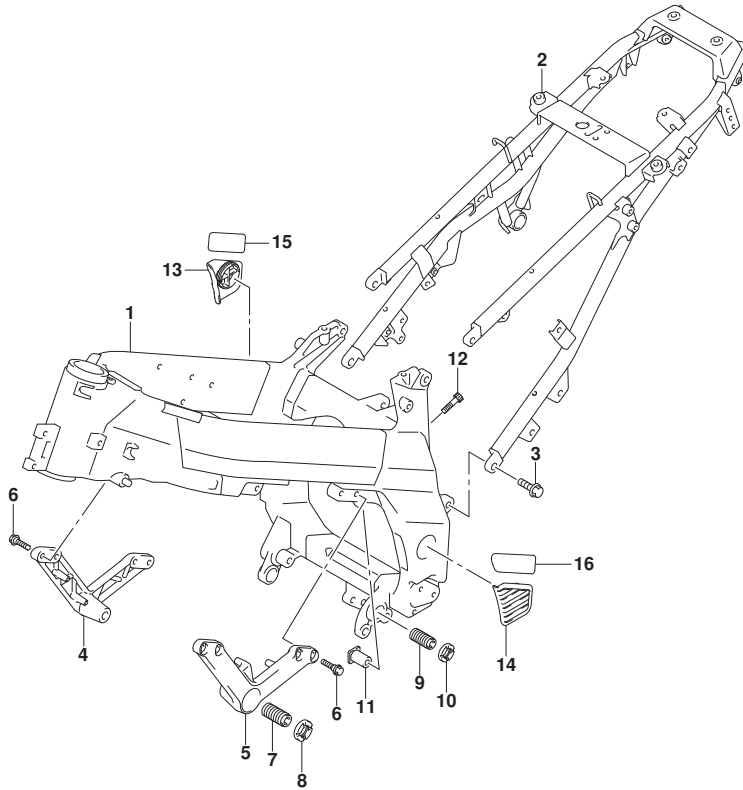


FIG.405A

**FIG.405A (1-D-14) BATTERY HOLDER**

REF NO.	PART NO.	DESCRIPTION	Q'TY	REMARKS
1	47431-28K00	HOLDER, BATTERY	1	
2	33652-27G00	CUSHION (12X20X3)	1	
3	09111-06106	BOLT (6X12)	2	
4	03541-0516A	SCREW	2	

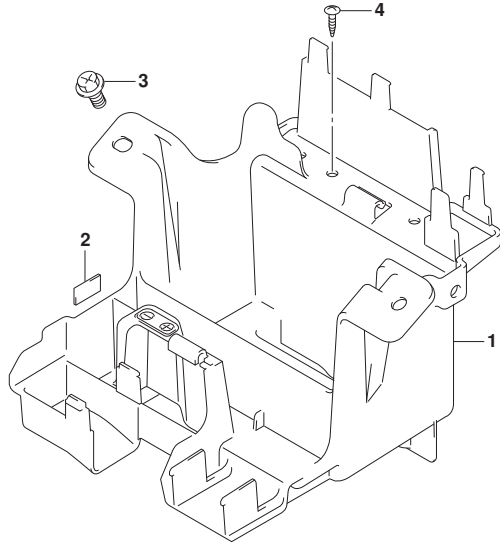


FIG.407A

FIG.407A (1-E-2) STAND

REF NO.	PART NO.	DESCRIPTION	Q'TY	REMARKS
1	42310-06G60	STAND, PROP	1	
2	09111-10058	BOLT (10X37.5)	1	
3	42321-03FK0	NUT, PROP STAND	1	
4	09443-14058	SPRING	1	INNER
5	09443-19011	SPRING	1	OUTER
6	42330-06G60	BRACKET, PROP STAND	1	
7	09100-12084	BOLT (12X30)	2	
8	09160-12061	WASHER (12.5X24X2.6)	2	
9	43111-27G00	PEDAL, BRAKE	1	
10	09160-18022	WASHER (18X24X1.0)	1	
11	09448-41005	SPRING	1	
12	08331-3118A	CIRCLIP	1	

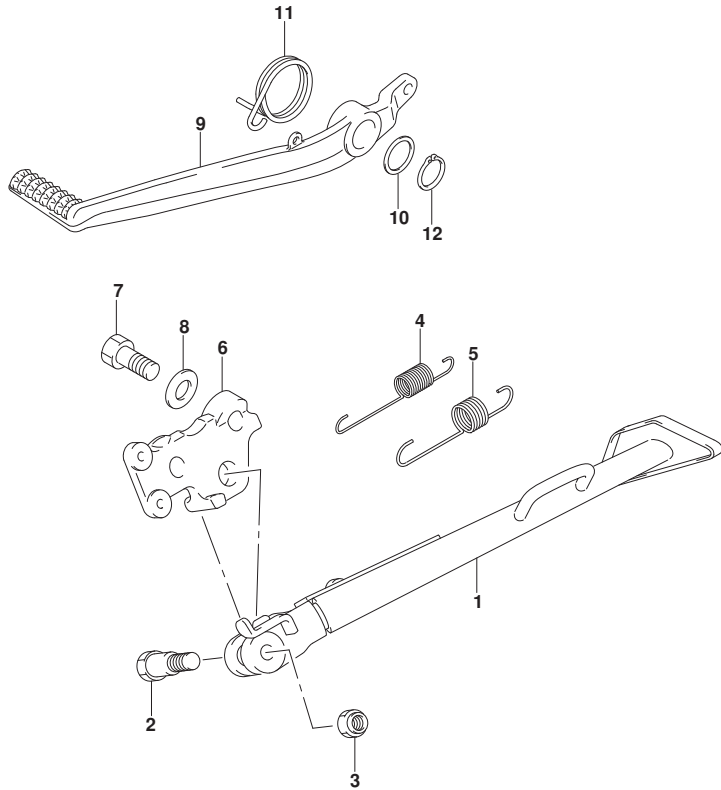


FIG.412A

FIG.412A (1-E-3) CARRIER

REF NO.	PART NO.	DESCRIPTION	Q'TY	REMARKS
1	46311-31J11	CARRIER, SPORT	1	
2	09103-08512	BOLT (8X35)	4	
3	09169-08049	WASHER	4	
4	68391-06L00	LABEL, CARRIER WARNING	1	

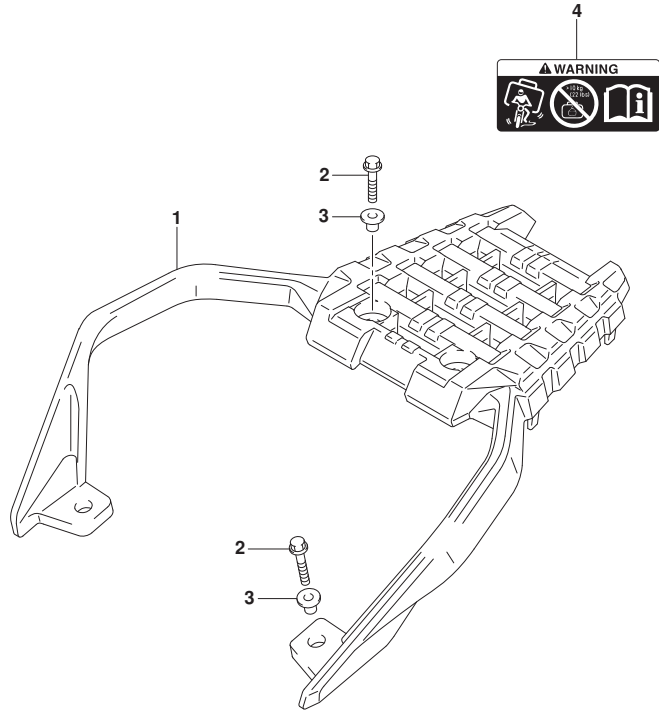




FIG.415A

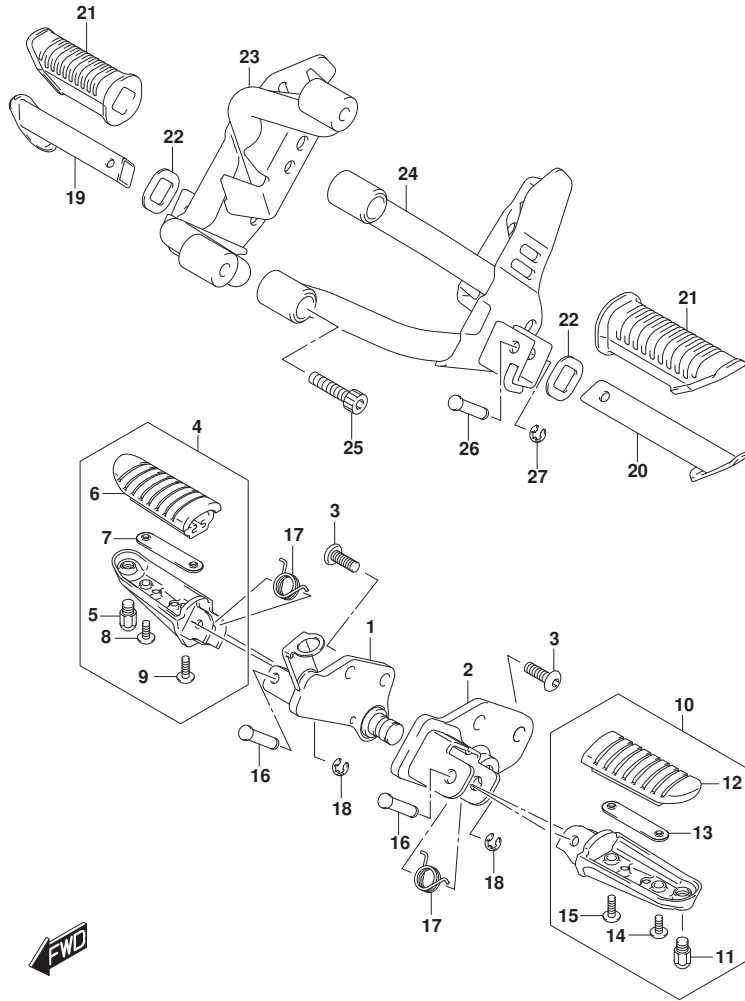


FIG.415A (1-E-4) FOOTREST

REF NO.	PART NO.	DESCRIPTION	Q'TY	REMARKS
1	43510-11J00-YAP	BRACKET, FR FOOTREST RH (BLACK)	1	
2	43520-11J00-YAP	BRACKET, FR FOOTREST LH (BLACK)	1	
3	09106-08150	BOLT (8X23)	4	
4	43501-06G01	FOOTREST ASSY, RH	1	
5	43576-07D01	.BOLT, BANK SENSOR	1	
6	43551-06G00	.RUBBER, FOOTREST	1	
7	43552-06G00	.PLATE, FR FOOTREST RUBBER	1	
8	02142-0516B	.SCREW	1	OUTER
9	02142-0520B	.SCREW	1	INNER
10	43502-06G01	FOOTREST ASSY, LH	1	
11	43576-07D01	.BOLT, BANK SENSOR	1	
12	43551-06G00	.RUBBER, FOOTREST	1	
13	43552-06G00	.PLATE, FR FOOTREST RUBBER	1	
14	02142-0516B	.SCREW	1	OUTER
15	02142-0520B	.SCREW	1	INNER
16	09208-08010	PIN (8X33.2)	2	
17	09448-18022	SPRING	2	
18	08332-1106B	E RING	2	
19	43610-34A60	BAR, PILLION FOOTREST RH	1	
20	43710-34A60	BAR, PILLION FOOTREST LH	1	
21	43612-33G30	RUBBER, PILLION FOOTREST	2	
22	43631-34A01	WASHER, FOOTREST RUBBER	2	
23	43810-28K00-YAP	BRACKET, PILLION FTRST RH (BLACK)	1	
24	43820-28K00-YAP	BRACKET, PILLION FTRST LH (BLACK)	1	
25	09106-08074	BOLT (8X40)	4	
26	09208-06008	PIN (6X29.5)	2	
27	08332-1104A	E RING	2	

FIG.420A

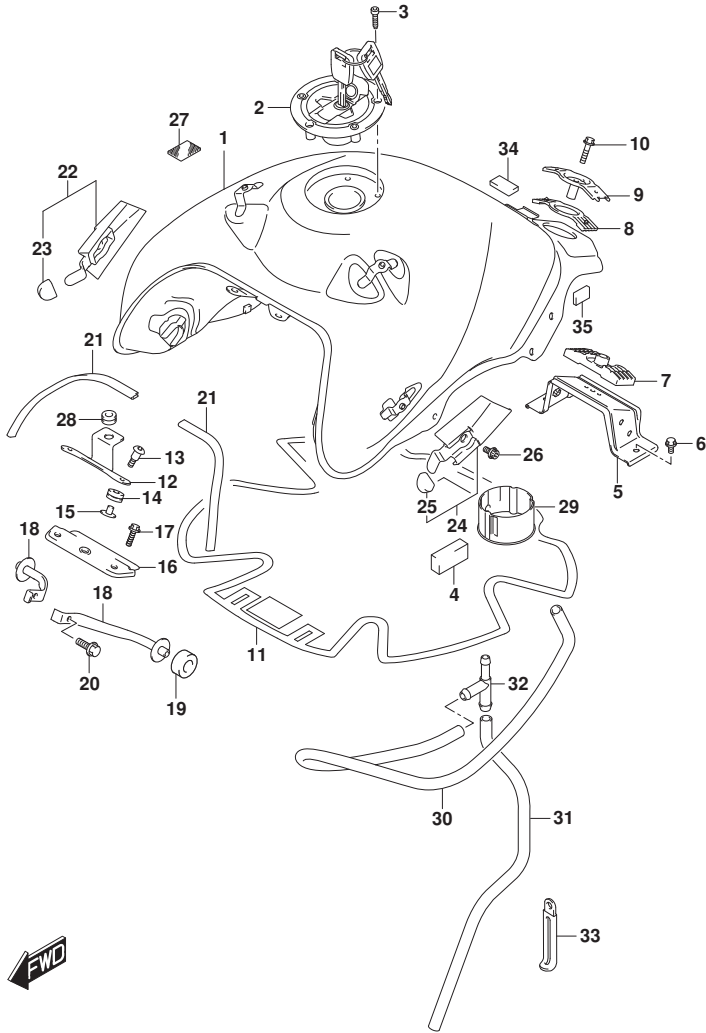


FIG.420A (1-E-5) FUEL TANK (DL650AM2 E01)

REF NO.	PART NO.	DESCRIPTION	Q'TY	REMARKS
1-1	44100-28K10-YKY	TANK ASSY, FUEL (BLUE)	1	
1-2	44100-28K10-YUH	TANK ASSY, FUEL (WHITE)	1	
1-3	44100-28K10-YVB	TANK ASSY, FUEL (BLACK)	1	
2	44200-17840	CAP SET, FUEL TANK FILLER	1	
3	44244-11J00	BOLT, FUEL TANK FILLER CAP	3	
4	44541-28K00	CUSHION, FUEL TANK SIDE	2	
5	44550-06G10	BRACKET, FUEL TANK REAR	1	
6	01550-0816A	BOLT	2	
7	44545-06G00	CUSHION, FUEL TANK RR LWR	1	
8	44542-06G00	CUSHION, FUEL TANK RR UPR	1	
9	44530-06G00	BRACKET, FUEL TANK REAR UP	1	
10	01550-0835A	BOLT (8X35)	1	
11	44194-11J00	SHIELD, FUEL TANK CENTER	1	
12	44154-11J00	BRACKET, FRONT COVER	1	
13	09139-06192	SCREW (6X25)	2	
14	44511-16G01	CUSHION, FUEL TANK FRONT	2	
15	44512-16G00	SPACER, FUEL TANK FR	2	
16	44520-11J00	BRACKET, FUEL TANK FRONT	1	
17	01550-0620B	BOLT	3	
18	44560-11J00	BRACKET, FRONT SIDE	2	
19	44543-31J01	CUSHION, FRONT SIDE BRKT	2	
20	01550-0612A	BOLT	2	
21	68241-11J01	MOLDING, FUEL TANK	2	
22	44130-28K00	BRACKET, FUEL TANK COVER RH	1	
23	09329-18001	.CUSHION	1	
24	44140-28K00	BRACKET, FUEL TANK COVER LH	1	
25	09329-18001	.CUSHION	1	
26	07120-0610A	BOLT	2	
27	44572-37H00	FASTENER, COWLING (20X15X0.8)	2	
28	09320-06504	CUSHION (6X18X6)	1	
29	44121-28K01	VESSEL, FUEL TANK INNER	1	
30	44423-28K01	HOSE, FUEL TANK DRAIN NO.1	1	
31	44423-11J31	HOSE, FUEL TANK DRAIN NO.2	1	
32	09367-08005	3 WAY	1	
33	09404-06030	CLAMP (L:80)	1	
34	45516-01H00	CUSHION	1	

FIG.420A

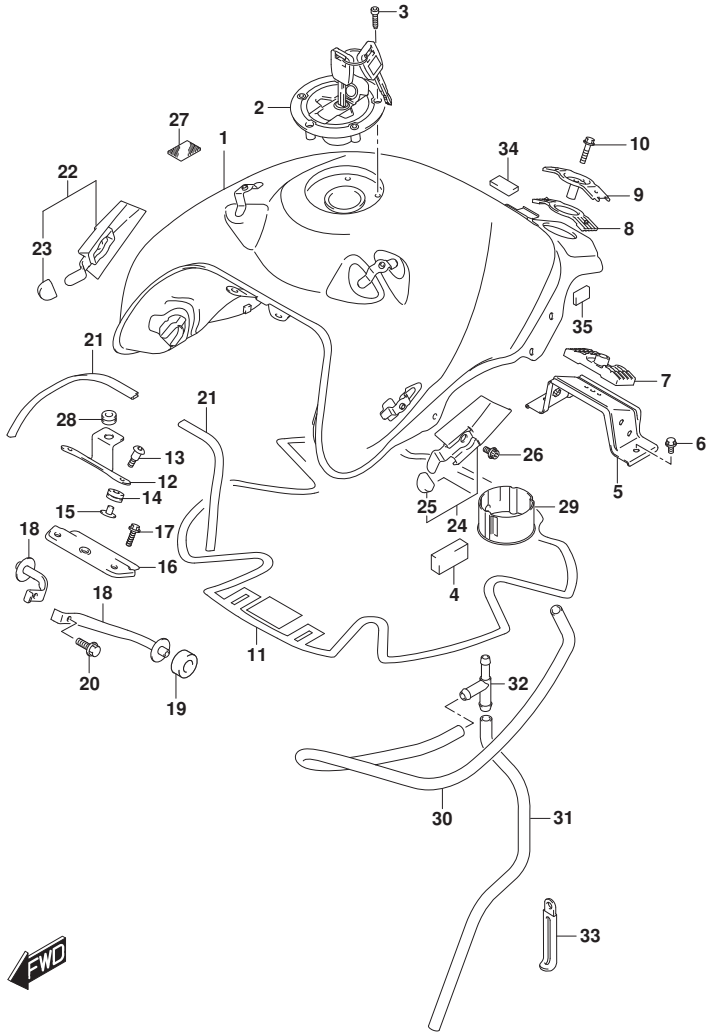
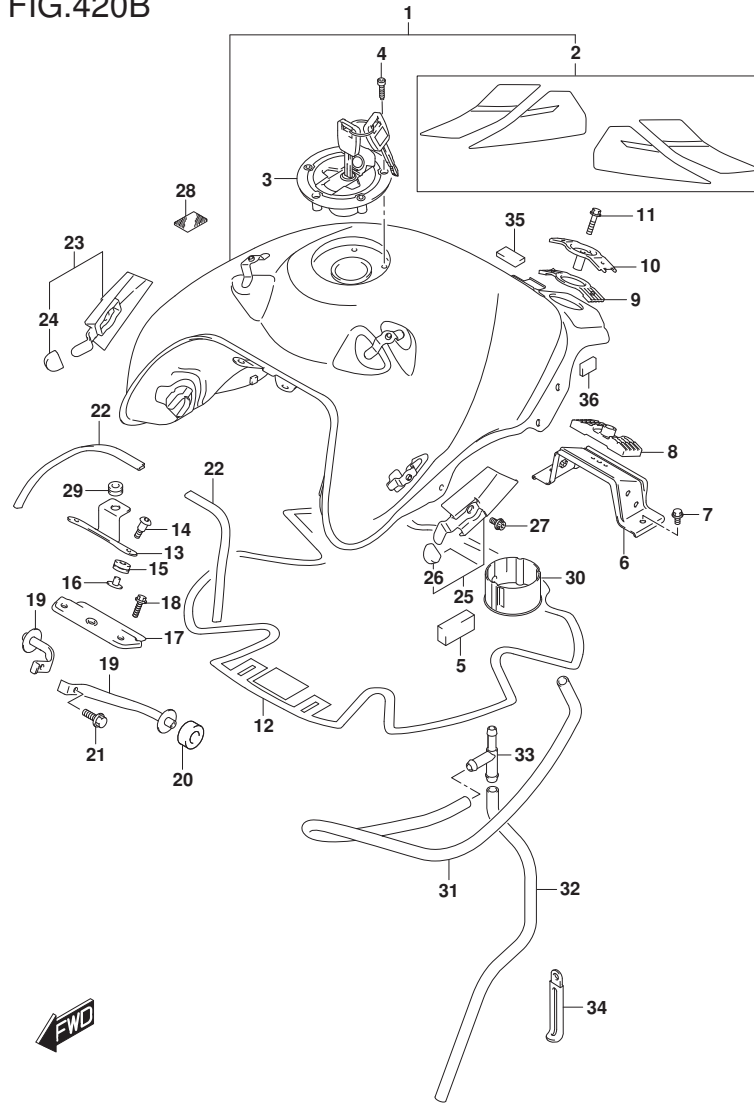


FIG.420A (1-E-6) FUEL TANK (DL650AM2 E01)

REF NO.	PART NO.	DESCRIPTION	Q'TY	REMARKS
35	47122-28K00	CUSHION, FRAME COVER FR RR	2	

FIG.420B



DL650AM2\_E01\_420B  
FUEL TANK

FIG.420B (1-E-7) FUEL TANK (DL650XAM2 E01)

REF NO.	PART NO.	DESCRIPTION	Q'TY	REMARKS
1-1	44100-28KH0-YU1	TANK ASSY, FUEL (YELLOW)	1	FOR YU1
1-2	44100-28KH0-YUH	TANK ASSY, FUEL (WHITE)	1	FOR YUH
1-3	44100-28KH0-6UX	TANK ASSY, FUEL (BLACK)	1	FOR YVB
1-4	44100-28KH0-YKY	TANK ASSY, FUEL (BLUE)	1	FOR CFR
2-1	68110-28K30-B5U	.TAPE SET, FUEL TANK	1	FOR YU1
2-2	68110-28K30-B5W	.TAPE SET, FUEL TANK	1	FOR YUH
2-3	68110-28K30-CFV	.TAPE SET, FUEL TANK	1	FOR YVB
2-4	68110-28K30-CFW	.TAPE SET, FUEL TANK (WHITE/BLUE)	1	FOR CFR
3	44200-17840	CAP SET, FUEL TANK FILLER	1	
4	44244-11J00	BOLT, FUEL TANK FILLER CAP	3	
5	44541-28K00	CUSHION, FUEL TANK SIDE	2	
6	44550-06G10	BRACKET, FUEL TANK REAR	1	
7	01550-0816A	BOLT	2	
8	44545-06G00	CUSHION, FUEL TANK RR LWR	1	
9	44542-06G00	CUSHION, FUEL TANK RR UPR	1	
10	44530-06G00	BRACKET, FUEL TANK REAR UP	1	
11	01550-0835A	BOLT (8X35)	1	
12	44194-11J00	SHIELD, FUEL TANK CENTER	1	
13	44154-11J00	BRACKET, FRONT COVER	1	
14	09139-06192	SCREW (6X25)	2	
15	44511-16G01	CUSHION, FUEL TANK FRONT	2	
16	44512-16G00	SPACER, FUEL TANK FR	2	
17	44520-11J00	BRACKET, FUEL TANK FRONT	1	
18	01550-0620B	BOLT	3	
19	44560-11J00	BRACKET, FRONT SIDE	2	
20	44543-31J01	CUSHION, FRONT SIDE BRKT	2	
21	01550-0612A	BOLT	2	
22	68241-11J01	MOLDING, FUEL TANK	2	
23	44130-28K00	BRACKET, FUEL TANK COVER RH	1	
24	09329-18001	.CUSHION	1	
25	44140-28K00	BRACKET, FUEL TANK COVER LH	1	
26	09329-18001	.CUSHION	1	
27	07120-0610A	BOLT	2	
28	44572-37H00	FASTENER, COWLING (20X15X0.8)	2	
29	09320-06504	CUSHION (6X18X6)	1	

DL650AM2\_E01

FIG.420B

FIG.420B (1-E-8) FUEL TANK (DL650XAM2 E01)

REF NO.	PART NO.	DESCRIPTION	Q'TY	REMARKS
30	44121-28K01	VESSEL, FUEL TANK INNER	1	
31	44423-28K01	HOSE, FUEL TANK DRAIN NO.1	1	
32	44423-11J31	HOSE, FUEL TANK DRAIN NO.2	1	
33	09367-08005	3 WAY	1	
34	09404-06030	CLAMP (L:80)	1	
35	45516-01H00	CUSHION	1	
36	47122-28K00	CUSHION, FRAME COVER FR RR	2	

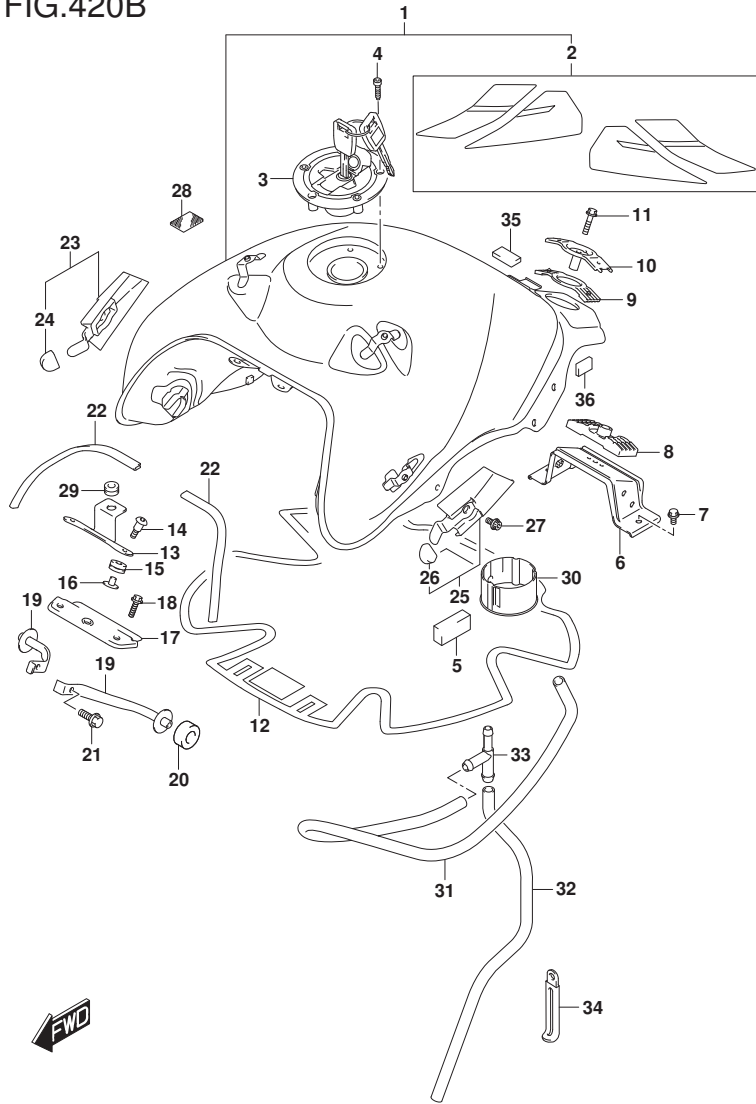


FIG.423A

FIG.423A (1-E-9) FUEL TANK COVER

REF NO.	PART NO.	DESCRIPTION	Q'TY	REMARKS
1	44190-28K00	COVER, FUEL TANK FRONT	1	
2	44261-22A00	.RUBBER, FUEL TANK FRONT	1	
3	44572-13G00	.FASTENER (33X25X2.6)	2	
4	68281-47HA0	.EMBLEM, S	1	
5	09139-06212	SCREW	2	
6	09409-06314	CLIP (5.9X20.5)	2	

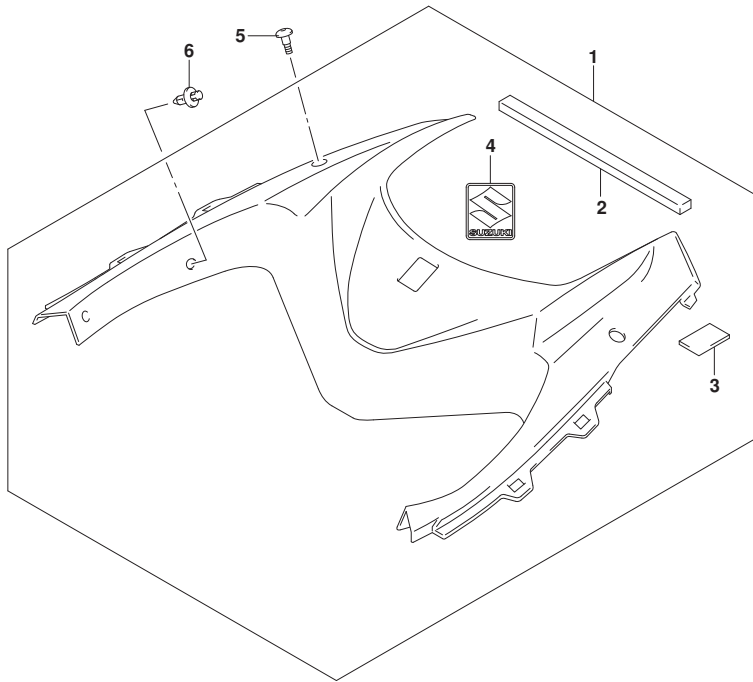


FIG.427A

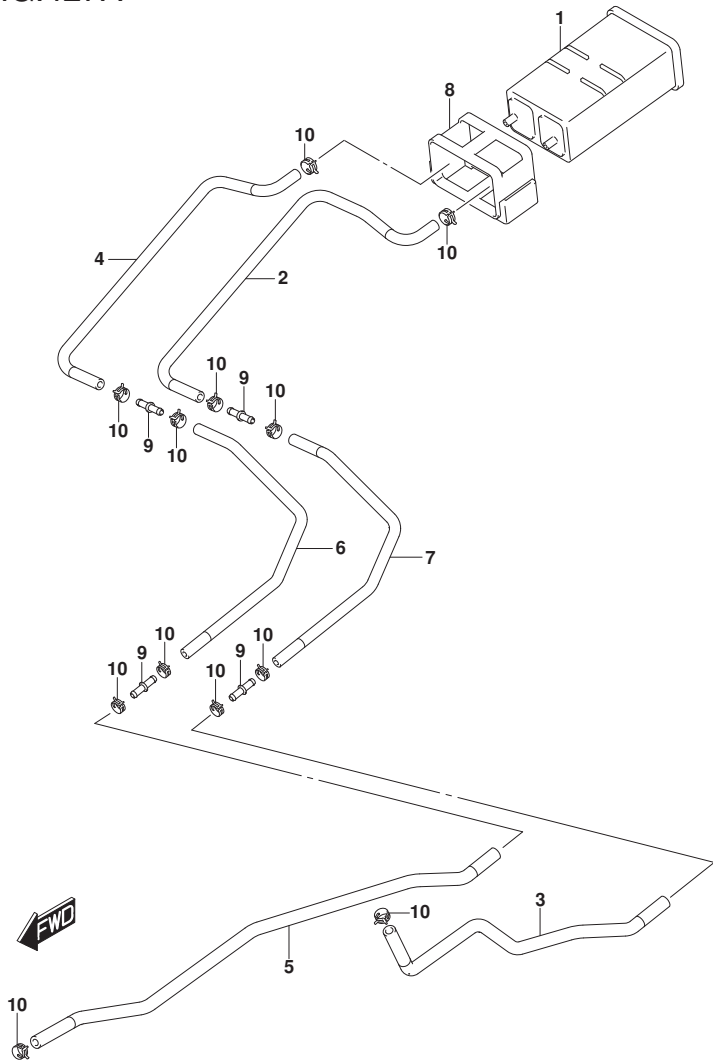


FIG.427A (1-E-10) EVAP SYSTEM

REF NO.	PART NO.	DESCRIPTION	Q'TY	REMARKS
1	18560-31J00	CANISTER ASSY, CHARCOAL	1	
2	18561-28K00	HOSE, SURGE NO.1	1	
3	18562-28K00	HOSE, SURGE NO.2	1	
4	18563-28K00	HOSE, PURGE NO.1	1	
5	18564-28K00	HOSE, PURGE NO.2	1	
6	18565-28K00	HOSE, EVAP	1	
7	18566-28K00	HOSE, EVAP	1	
8	18571-31J00	CUSHION, CANISTER	1	
9	09367-06009	JOINT	4	
10	09401-11413	CLIP	12	

FIG.445A

FIG.445A (1-E-11) FRAME COVER

REF NO.	PART NO.	DESCRIPTION	Q'TY	REMARKS
1	47110-28K10	COVER, FRAME RH	1	
2	47121-28K00	.CUSHION, FRAME COVER FR FR	1	
3	47210-28K00	COVER, FRAME LH	1	
4	47121-28K00	.CUSHION, FRAME COVER FR FR	1	
5	47411-31J10	COVER, FRAME REAR RH	1	
6	47511-31J10	COVER, FRAME REAR LH	1	
7	09139-06211	SCREW (6X20)	2	
8	09320-09016	CUSHION (9X18X9.5)	2	
9	09409-10313	CLIP	4	
10	47913-31J00	SCREW	6	
11	09320-20011	CUSHION (20X32X9)	2	
12	09139-06120	SCREW (6X16)	4	
13	47510-28K00	SPACER, FRAME COVER	2	
14	09321-10001	CUSHION	2	
15	09409-06328	CLIP	3	
16	47123-28K00	CUSHION, FRAME COVER	2	

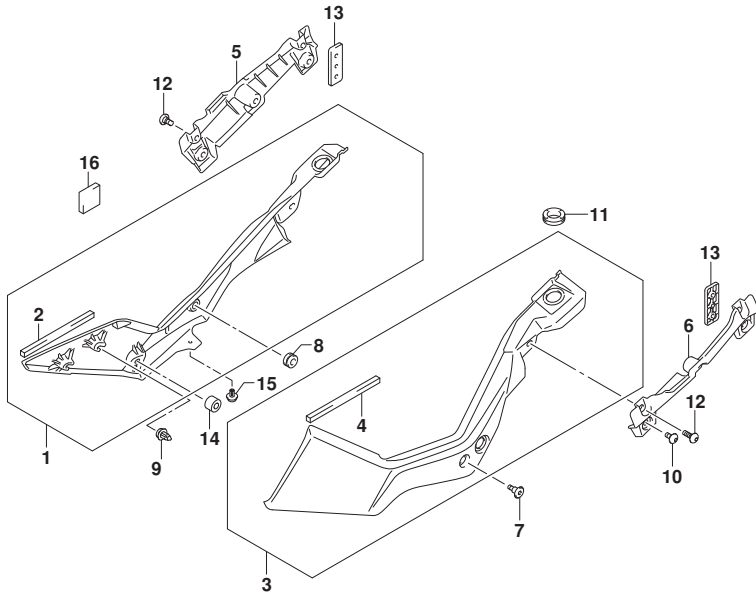




FIG.460A

FIG.460A (1-E-12) FRONT FENDER

REF NO.	PART NO.	DESCRIPTION	QTY	REMARKS
1	53110-28K00-291	FENDER, FR (BLACK)	1	
2	53121-28K00	.TAPE, FR FENDER	2	
3	45241-17K10	BOLT, FR FENDER FR	2	
4	53122-06G00	NUT, FRONT FENDER	2	
5	09106-06122	BOLT (6X30)	2	
6	53121-33E00	WASHER	2	

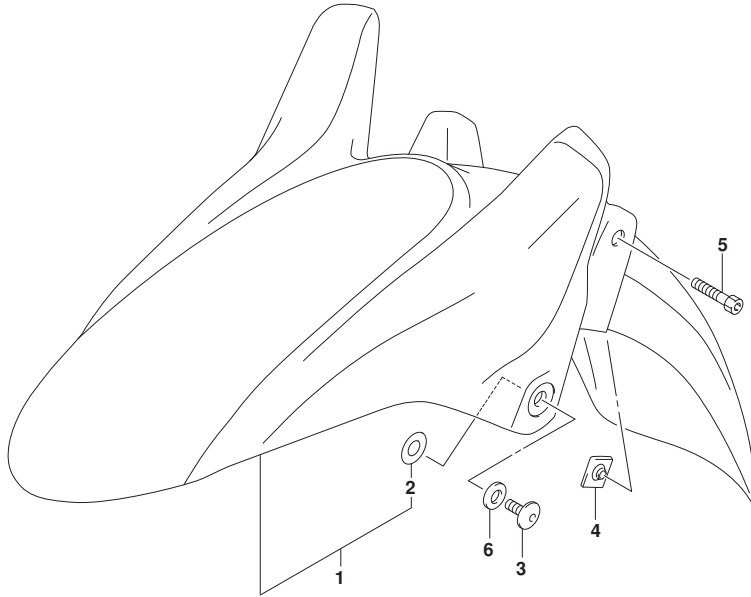


FIG.462A

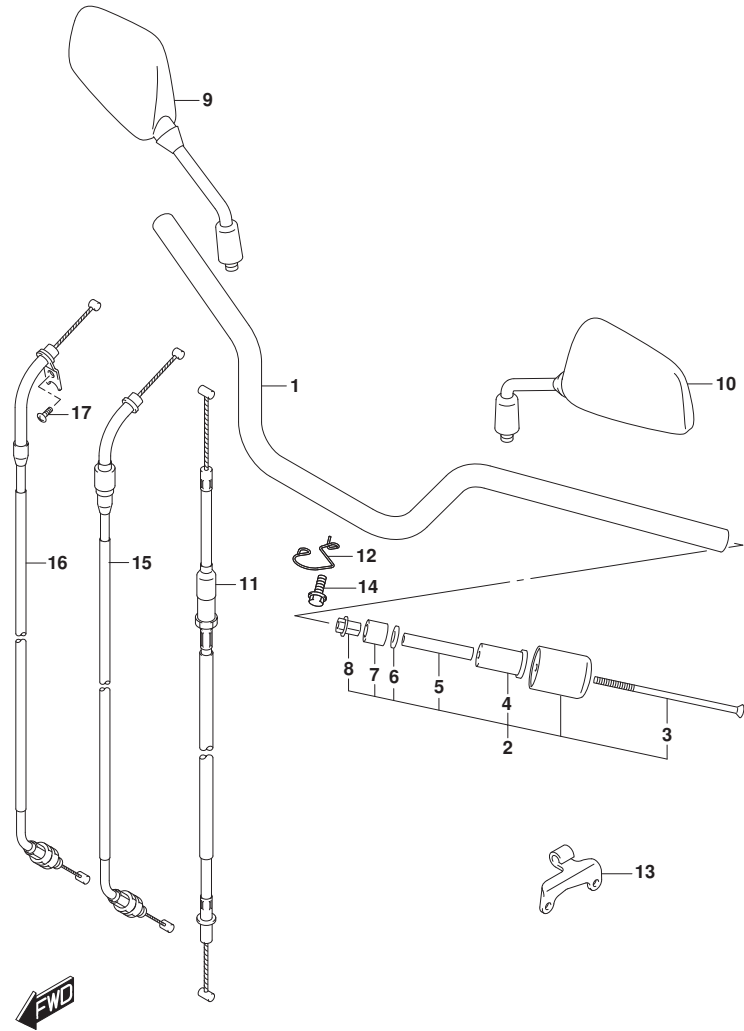


FIG.462A (1-E-13) HANDLEBAR (DL650AM2 E01)

REF NO.	PART NO.	DESCRIPTION	Q'TY	REMARKS
1	56111-28K00-YUS	HANDLEBAR (SILVER)	1	
2	56200-16843	BALANCER SET, HANDLEBAR	2	
3	09127-06018	.BOLT (6X110)	2	
4	56272-06G00	.EXPANDER	2	
5	56276-17D00	.SPACER, EXPANDER	2	
6	09160-06131	.WASHER (6.5X16X4)	2	
7	56272-10G01	.EXPANDER, HANDLE BALANCER	2	
8	56273-10G10	.NUT, HANDLE BALANCER	2	
9	56500-04F30	MIRROR ASSY, RR VIEW RH	1	
10	56600-04F30	MIRROR ASSY, RR VIEW LH	1	
11	58200-11J00	CABLE ASSY, CLUTCH	1	
12	58631-11J10	GUIDE, CLUTCH CABLE	1	
13	58634-44H00	STOPPER, CLUTCH CABLE	1	
14	01547-0612A	BOLT	1	
15	58300-11J01	CABLE ASSY, THROTTLE NO.1	1	
16	58300-11J11	CABLE ASSY, THROTTLE NO.2	1	
17	09125-05042	SCREW (5X10)	1	

FIG.462B

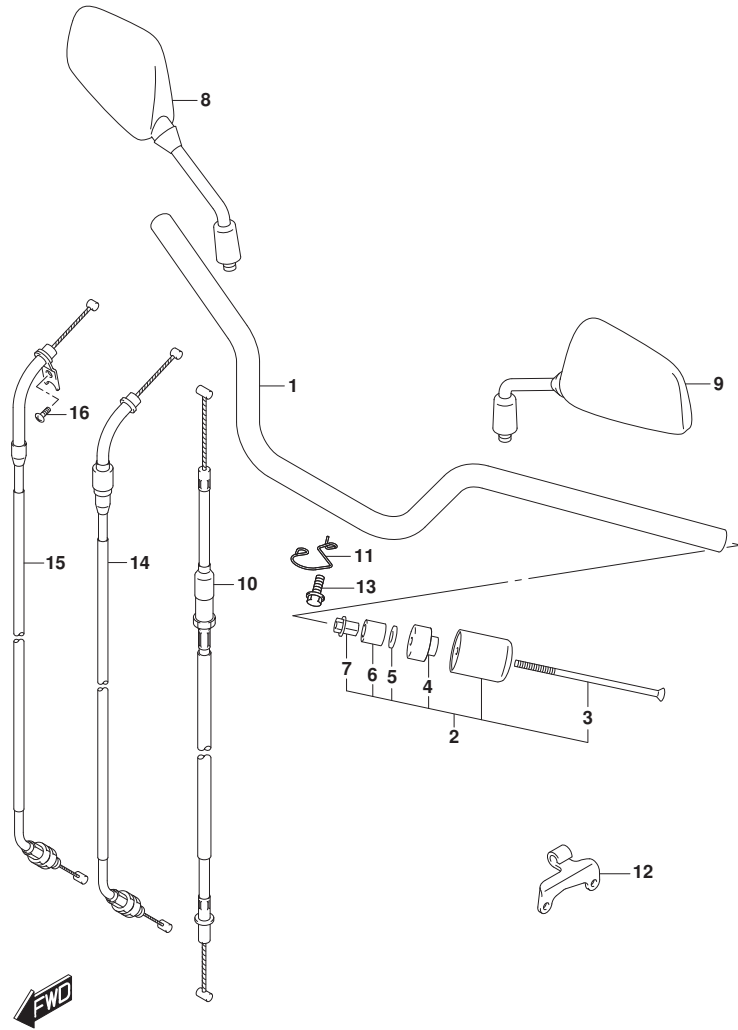


FIG.462B (1-E-14) HANDLEBAR (DL650XAM2 E01)

REF NO.	PART NO.	DESCRIPTION	Q'TY	REMARKS
1	56111-28K00-YUS	HANDLEBAR (SILVER)	1	
2	56200-32861	BALANCER SET, HANDLEBAR	2	
3	02122-0680B	.SCREW	2	
4	57346-14G00	.SPACER, KNUCKLE COVER	2	
5	09160-06131	.WASHER (6.5X16X4)	2	
6	56272-10G01	.EXPANDER, HANDLE BALANCER	2	
7	56273-10G10	.NUT, HANDLE BALANCER	2	
8	56500-04F30	MIRROR ASSY, RR VIEW RH	1	
9	56600-04F30	MIRROR ASSY, RR VIEW LH	1	
10	58200-11J00	CABLE ASSY, CLUTCH	1	
11	58631-11J10	GUIDE, CLUTCH CABLE	1	
12	58634-44H00	STOPPER, CLUTCH CABLE	1	
13	01547-0612A	BOLT	1	
14	58300-11J01	CABLE ASSY, THROTTLE NO.1	1	
15	58300-11J11	CABLE ASSY, THROTTLE NO.2	1	
16	09125-05042	SCREW (5X10)	1	

FIG.467A

FIG.467A (1-F-2) HANDLE LEVER (DL650AM2 E01)

REF NO.	PART NO.	DESCRIPTION	Q'TY	REMARKS
1	57110-21H02	GRIP, THROTTLE	1	
2	57300-44G12	LEVER ASSY, FR BRAKE	1	
3	57431-17H02	.BOLT, LEVER PIVOT	1	
4	08319-2106A	.NUT	1	
5	57460-14J02	SWITCH ASSY, FRONT BRAKE	1	
6	57465-17C00	.SCREW, WITH WASHER	1	
7	57211-21H01	GRIP LH	1	
8	57500-25D03	LEVER ASSY, CLUTCH	1	
9	57621-33E01	.LEVER, CLUTCH	1	
10	57431-45C01	.BOLT, LEVER PIVOT	1	
11	08319-2106A	.NUT	1	
12	57441-45C01	.ADJUSTER, WIRE	1	
13	57442-45C01	.NUT, LOCK	1	
14	01547-0620B	.BOLT	1	
15	57560-05A00	.SWITCH, CLUTCH	1	
16	57562-41G01	.SCREW, CLUTCH SWITCH	1	
17	57661-33E01	COVER, CLUTCH LEVER	1	

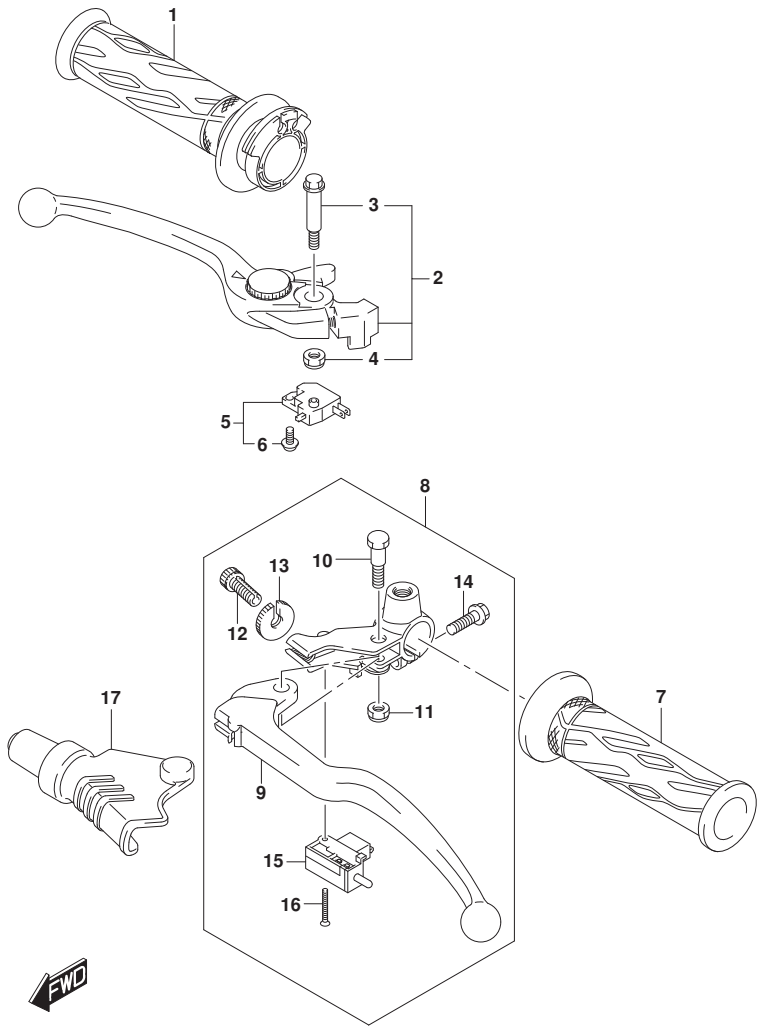


FIG.467B

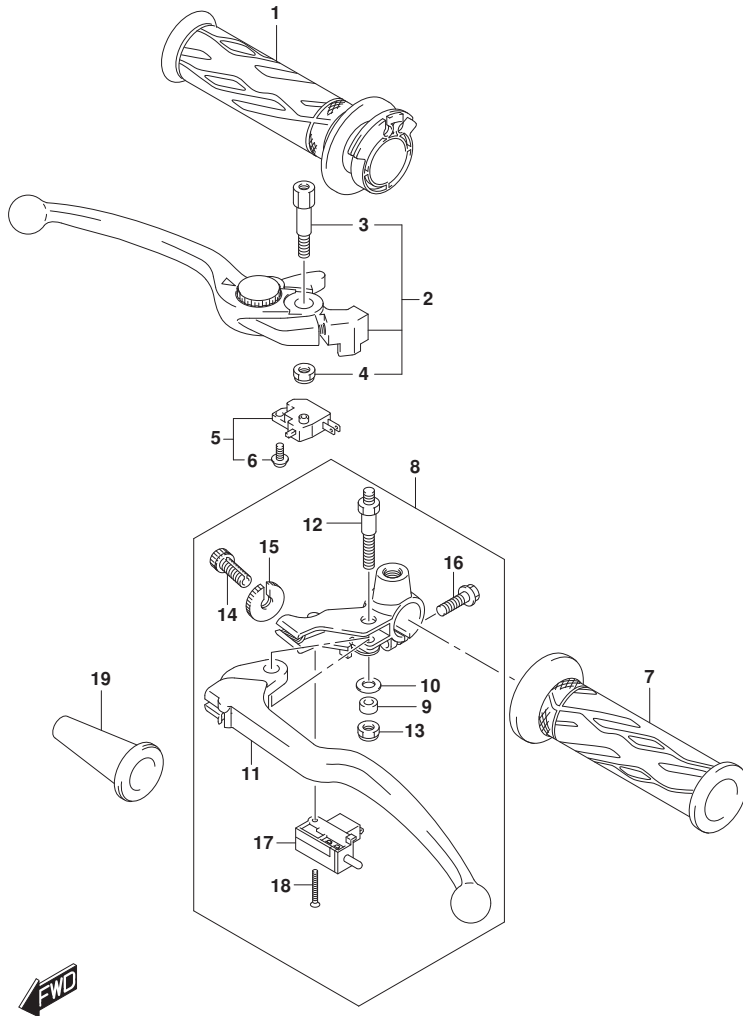


FIG.467B (1-F-3) HANDLE LEVER (DL650XAM2 E01)

REF NO.	PART NO.	DESCRIPTION	Q'TY	REMARKS
1	57110-21H02	GRIP, THROTTLE	1	
2	57300-06G20	LEVER ASSY, BRAKE	1	
3	57431-06GA0	.BOLT, BRAKE LEVER PIVOT	1	
4	08319-2106A	.NUT	1	
5	57460-14J02	SWITCH ASSY, FRONT BRAKE	1	
6	57465-17C00	.SCREW, WITH WASHER	1	
7	57211-21H01	GRIP LH	1	
8	57500-25D22	LEVER ASSY, CLUTCH	1	
9	09180-06346	.SPACER	1	
10	08322-0106B	.WASHER	1	
11	57621-33E01	.LEVER, CLUTCH	1	
12	57531-10D20	.BOLT, CLUTCH LEVER PIVOT	1	
13	08319-2106A	.NUT	1	
14	57441-45C01	.ADJUSTER, WIRE	1	
15	57442-45C01	.NUT, LOCK	1	
16	01547-0620B	.BOLT	1	
17	57560-05A00	.SWITCH, CLUTCH	1	
18	57562-41G01	.SCREW, CLUTCH SWITCH	1	
19	58273-31001	BOOT, CLUTCH CABLE	1	

FIG.472A

FIG.472A (1-F-4) KNUCKLE COVER (DL650XAM2 E01)

REF NO.	PART NO.	DESCRIPTION	Q'TY	REMARKS
1	57341-27G02-291	COVER, KNUCKLE RH (BLACK)	1	
2	57541-27G01-291	COVER, KNUCKLE LH (BLACK)	1	
3	09160-06130	WASHER (6.5X16X1.6)	5	
4	02142-0612B	SCREW	1	
5	08313-1006B	NUT	1	
6	08319-2106B	NUT	2	

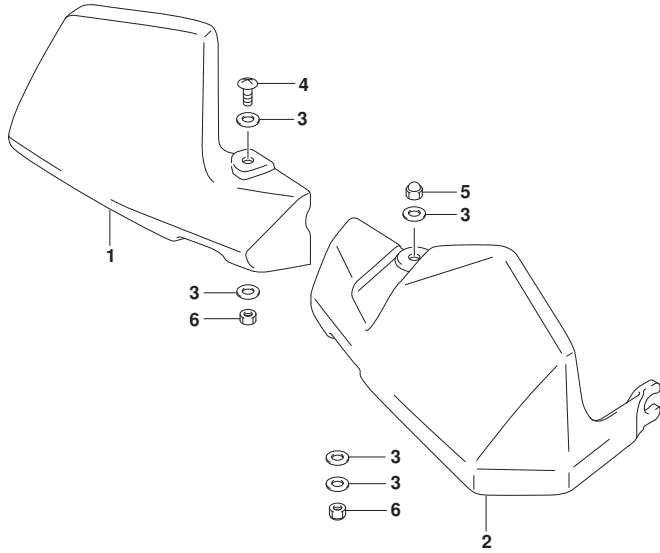


FIG.474A

FIG.474A (1-F-5) REAR FENDER

REF NO.	PART NO.	DESCRIPTION	Q'TY	REMARKS
1	63111-28K00	FENDER, REAR FRONT	1	
2	63112-28K00	FENDER, REAR REAR	1	
3	33652-47F00	CUSHION, LICENSE PLATE (10X30X6)	1	
4	94479-35F00	CLIP	2	
5	94612-31F00	CUSHION (5X10X1.5)	4	
6	09116-06181	BOLT (6X13)	4	
7	08322-0106B	WASHER	2	
8	94633-31J00	CUSHION (16X30X3.5)	1	
9	09280-63003	BAND (D:3.5;ID:62.6)	1	
10	09800-21102	TOOL ASSY	1	
11	09816-00059	SPANNER (5)	1	
12	09816-00149	SPANNER (16)	1	
13	09817-00035	SPANNER (22)	1	
14	09817-00037	HANDLE	1	
15	09817-00039	SPANNER (24)	1	

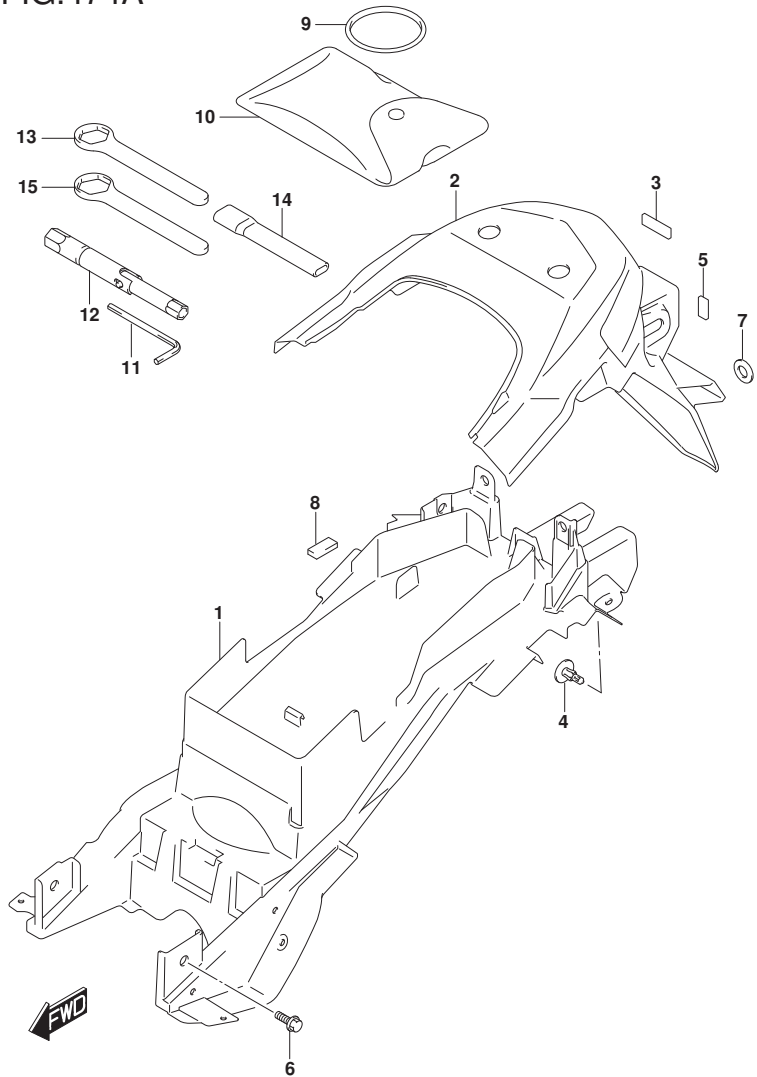


FIG.481A

FIG.481A (1-F-6) COWLING BODY (DL650AM2 E01)

REF NO.	PART NO.	DESCRIPTION	Q'TY	REMARKS
1	48410-28K00	WINDSCREEN	1	
2	48412-28K00	.COVER, WINDSCREEN	1	
3	73415-70A00	.PAD	4	
4	48414-31J00	CAP, WINDSCREEN SCREW	4	
5	09139-06211	SCREW (6X20)	4	
6	09320-09016	CUSHION (9X18X9.5)	4	
7	08322-0110B	WASHER	4	
8	94411-28K00	COWLING, BODY	1	
9	94630-28K00	PANEL, METER	1	
10	73415-70A00	.PAD	3	
11	09320-08028	.CUSHION (8X26X7)	1	
12	09139-06126	SCREW (6X20)	4	
13	09148-05038	NUT (M5)	8	
14	09148-06020	NUT	4	
15	09320-09016	CUSHION (9X18X9.5)	4	
16	09409-06314	CLIP (5.9X20.5)	4	
17	03541-0512A	SCREW	4	
18	34189-08J01	CUSHION, SPEEDOMETER	1	
19	94510-28K00	BRACE, COWLING	1	
20	09320-08028	CUSHION (8X26X7)	2	
21	01550-0820A	BOLT	2	
22	94402-28K00-YKV	COWLING, BODY LOWER (BLACK)	1	
23	73415-70A00	.PAD	2	
24	09148-05052	.NUT (M5)	2	

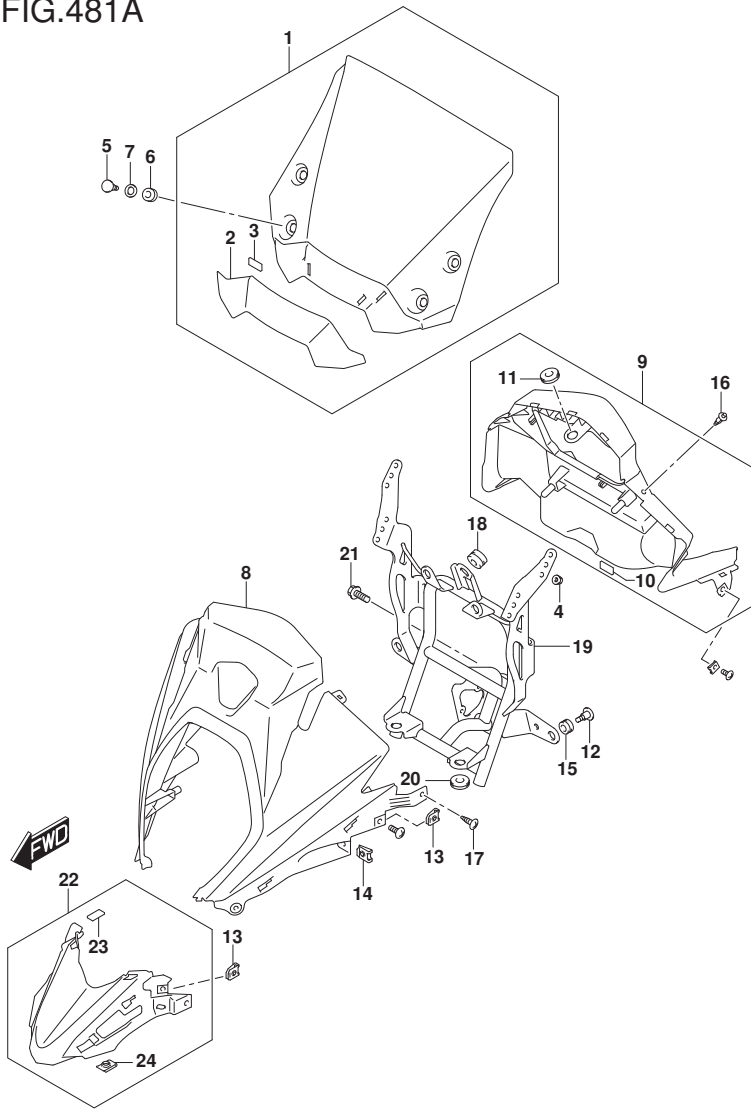




FIG.481B

FIG.481B (1-F-7) COWLING BODY (DL650XAM2 E01)

REF NO.	PART NO.	DESCRIPTION	Q'TY	REMARKS
1	48410-28K00	WINDSCREEN	1	
2	48412-28K00	.COVER, WINDSCREEN	1	
3	73415-70A00	.PAD	4	
4	48414-31J00	CAP, WINDSCREEN SCREW	4	
5	09139-06211	SCREW (6X20)	4	
6	09320-09016	CUSHION (9X18X9.5)	4	
7	08322-0110B	WASHER	4	
8	94411-28K00	COWLING, BODY	1	
9	94630-28K00	PANEL, METER	1	
10	73415-70A00	.PAD	3	
11	09320-08028	.CUSHION (8X26X7)	1	
12	09139-06126	SCREW (6X20)	4	
13	09148-05038	NUT (M5)	8	
14	09148-06020	NUT	4	
15	09320-09016	CUSHION (9X18X9.5)	4	
16	09409-06314	CLIP (5.9X20.5)	4	
17	03541-0512A	SCREW	4	
18	34189-08J01	CUSHION, SPEEDOMETER	1	
19	94510-28K00	BRACE, COWLING	1	
20	09320-08028	CUSHION (8X26X7)	2	
21	01550-0820A	BOLT	2	
22-1	94402-28K00-YKV	COWLING, BODY LOWER (BLACK)	1	FOR YUH,YU1,YVB
22-2	94402-28K00-YKY	COWLING, BODY LOWER (BLUE)	1	FOR CFR
23	73415-70A00	.PAD	2	
24	09148-05052	.NUT (M5)	2	

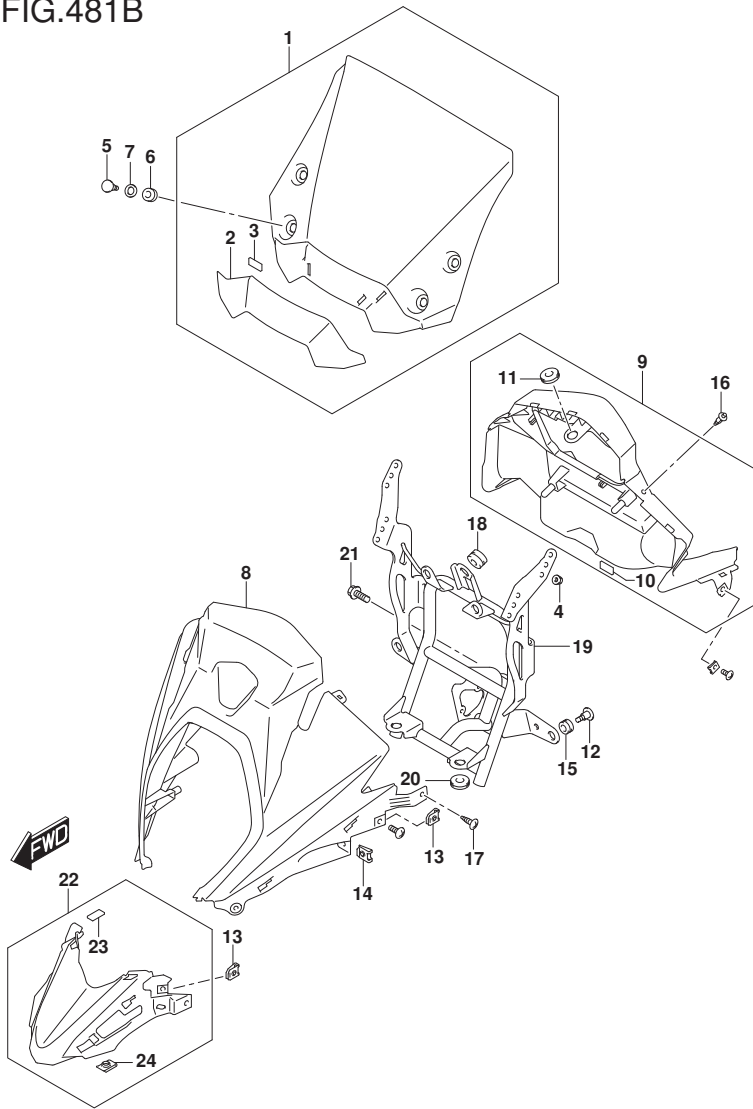


FIG.483A

FIG.483A (1-F-8) UNDER COWLING (DL650XAM2 E01)

REF NO.	PART NO.	DESCRIPTION	Q'TY	REMARKS
1	47612-44H00	CUSHION, FRAME COVER LOWER NO.1	1	
2	94470-11J00-291	UNDER COWL RH (BLACK)	1	
3	68181-11J00	.EMBLEM, UNDER COWL RH	1	
4	94480-11J00-291	UNDER COWL LH (BLACK)	1	
5	68191-11J00	.EMBLEM, UNDER COWL LH	1	
6	94491-11J00-291	COWLING, UNDER CTR (BLACK)	1	
7	09139-06139	SCREW (6X16)	4	
8	09180-06263	SPACER (6.5X9X9)	4	
9	09320-09016	CUSHION (9X18X9.5)	4	
10	03541-0510B	SCREW	2	
11	03541-0516B	SCREW	4	
12	94520-11J00	BRACKET, UNDER COWLING FRONT	1	
13	94530-11J00	BRACKET, UNDER COWLING RH	1	
14	94540-11J00	BRACKET, UNDER COWLING LH	1	
15	09116-06006	BOLT (6X16)	2	

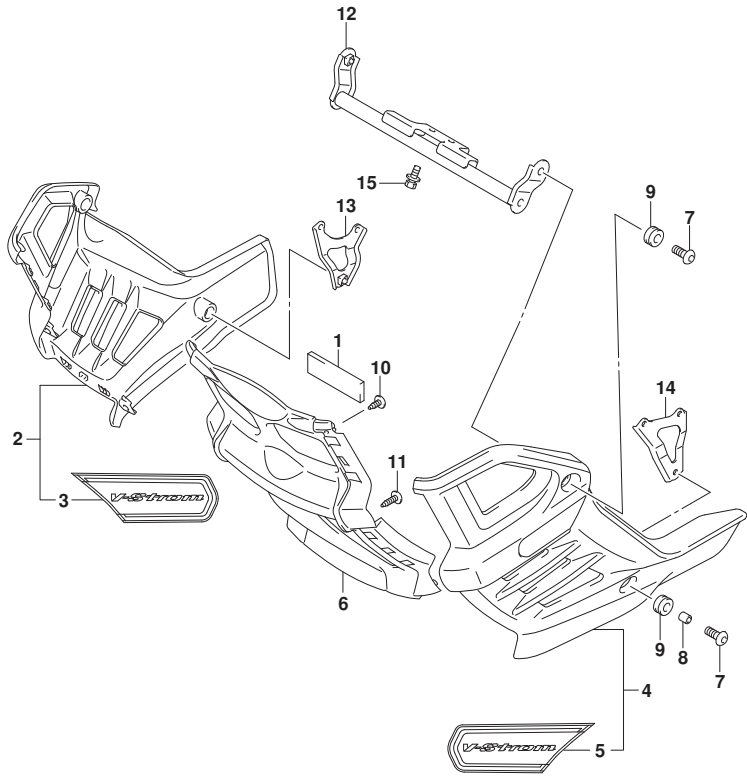


FIG.485A

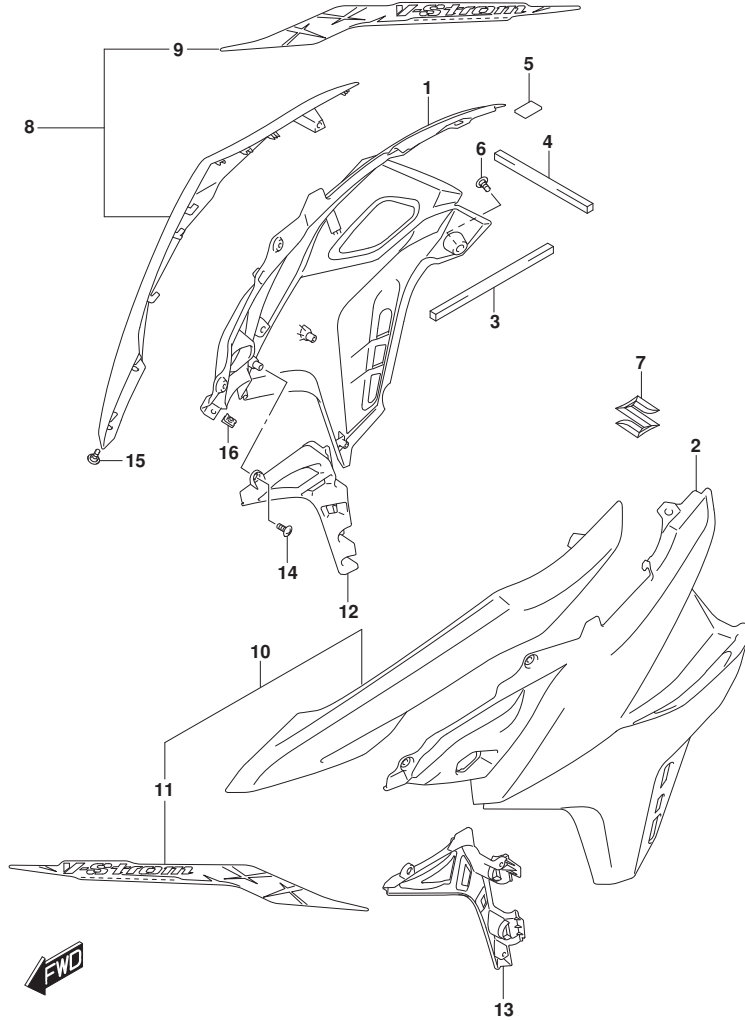


FIG.485A (1-F-9) SIDE COWLING (DL650AM2 E01)

REF NO.	PART NO.	DESCRIPTION	Q'TY	REMARKS
1	94413-28K00	COVER, SIDE COWL RH	1	
2	94414-28K00	COVER, SIDE COWL LH	1	
3	44176-31J00	CUSHION	2	
4	44178-31J00	CUSHION, TANK COVER SIDE NO.3	2	
5	47829-10F00	CUSHION, METER COVER REAR	2	CUT AS REQUIRED
6	47913-31J00	SCREW	2	
7	68111-47HA0	EMBLEM, S	2	
8-1	94420-28K80-YKY	COVER, SIDE COWL RH (BLUE)	1	
8-2	94420-28K80-YUH	COVER, SIDE COWL RH (WHITE)	1	
8-3	94420-28K80-YVB	COVER, SIDE COWL RH (BLACK)	1	
9-1	68275-28K80-CFT	.TAPE, COVER SIDE RH	1	FOR YKY
9-2	68275-28K80-B5Z	.TAPE, COVER SIDE RH (WHITE/BLUE)	1	FOR YUH
9-3	68275-28K80-CFU	.TAPE, COVER SIDE RH	1	FOR YVB
10-1	94430-28K80-YKY	COVER, SIDE COWL LH (BLUE)	1	
10-2	94430-28K80-YUH	COVER, SIDE COWL LH (WHITE)	1	
10-3	94430-28K80-YVB	COVER, SIDE COWL LH (BLACK)	1	
11-1	68285-28K80-CFT	.TAPE, COVER SIDE LH	1	FOR YKY
11-2	68285-28K80-B5Z	.TAPE, COVER SIDE LH (WHITE/BLUE)	1	FOR YUH
11-3	68285-28K80-CFU	.TAPE, COVER SIDE LH	1	FOR YVB
12	94461-28K00	COVER, SIDE COWL INNER RH	1	
13	94462-28K00	COVER, SIDE COWL INNER LH	1	
14	03541-0512A	SCREW	10	
15	09139-05091	SCREW (5X13)	4	
16	09148-05052	NUT (M5)	2	

FIG.485B

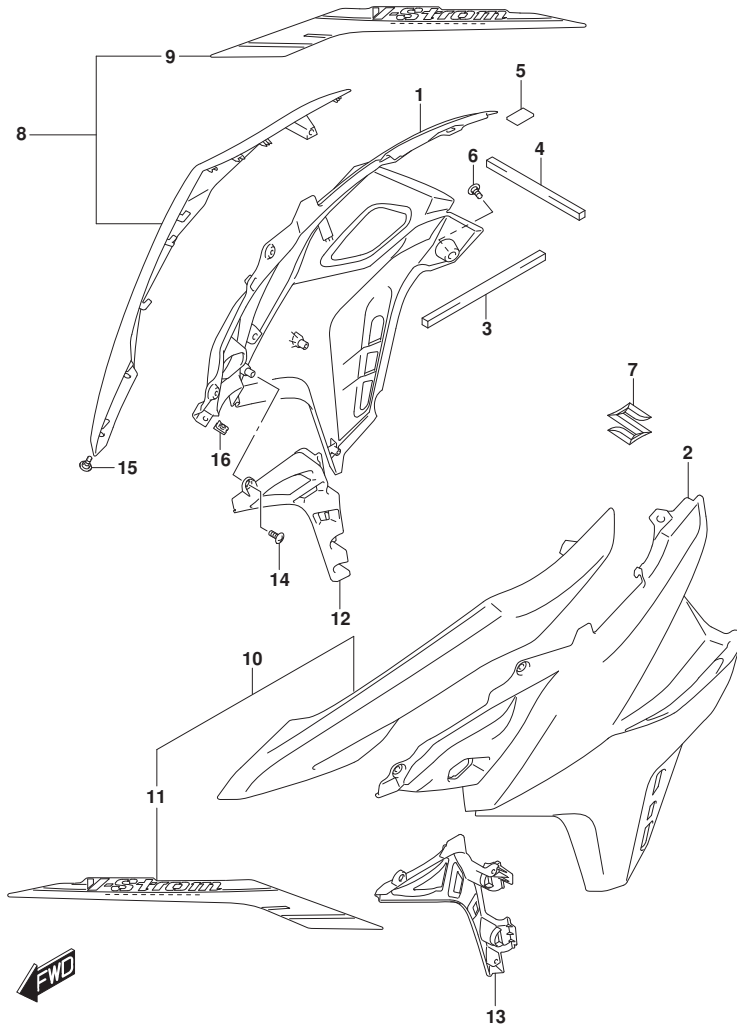


FIG.485B (1-F-10) SIDE COWLING (DL650XAM2 E01)

REF NO.	PART NO.	DESCRIPTION	Q'TY	REMARKS
1	94413-28K00	COVER, SIDE COWL RH	1	
2	94414-28K00	COVER, SIDE COWL LH	1	
3	44176-31J00	CUSHION	2	
4	44178-31J00	CUSHION, TANK COVER SIDE NO.3	2	
5	47829-10F00	CUSHION, METER COVER REAR	2	CUT AS REQUIRED
6	47913-31J00	SCREW	2	
7	68111-47HA0	EMBLEM, S	2	
8-1	94420-28K70-YU1	COVER, SIDE COWL RH (YELLOW)	1	FOR YU1
8-2	94420-28K70-YUH	COVER, SIDE COWL RH (WHITE)	1	FOR YUH
8-3	94420-28K70-YVB	COVER, SIDE COWL RH (BLACK)	1	FOR YVB
8-4	94420-28K70-QKA	COVER, SIDE COWL RH (SILVER)	1	FOR CFR
9-1	68275-28K70-B5U	.TAPE, COVER SIDE RH	1	FOR YU1
9-2	68275-28K70-B5W	.TAPE, COVER SIDE RH	1	FOR YUH
9-3	68275-28K70-CFV	.TAPE, COVER SIDE RH	1	FOR YVB
9-4	68275-28K70-CFY	.TAPE, COVER SIDE RH	1	FOR CFR
10-1	94430-28K70-YU1	COVER, SIDE COWL LH (YELLOW)	1	FOR YU1
10-2	94430-28K70-YUH	COVER, SIDE COWL LH (WHITE)	1	FOR YUH
10-3	94430-28K70-YVB	COVER, SIDE COWL LH (BLACK)	1	FOR YVB
10-4	94430-28K70-QKA	COVER, SIDE COWL LH (SILVER)	1	FOR CFR
11-1	68285-28K70-B5U	.TAPE, COVER SIDE LH	1	FOR YU1
11-2	68285-28K70-B5W	.TAPE, COVER SIDE LH	1	FOR YUH
11-3	68285-28K70-CFV	.TAPE, COVER SIDE LH	1	FOR YVB
11-4	68285-28K70-CFY	.TAPE, COVER SIDE LH	1	FOR CFR
12	94461-28K00	COVER, SIDE COWL INNER RH	1	
13	94462-28K00	COVER, SIDE COWL INNER LH	1	
14	03541-0512A	SCREW	10	
15	09139-05091	SCREW (5X13)	4	
16	09148-05052	NUT (M5)	2	

FIG.496A

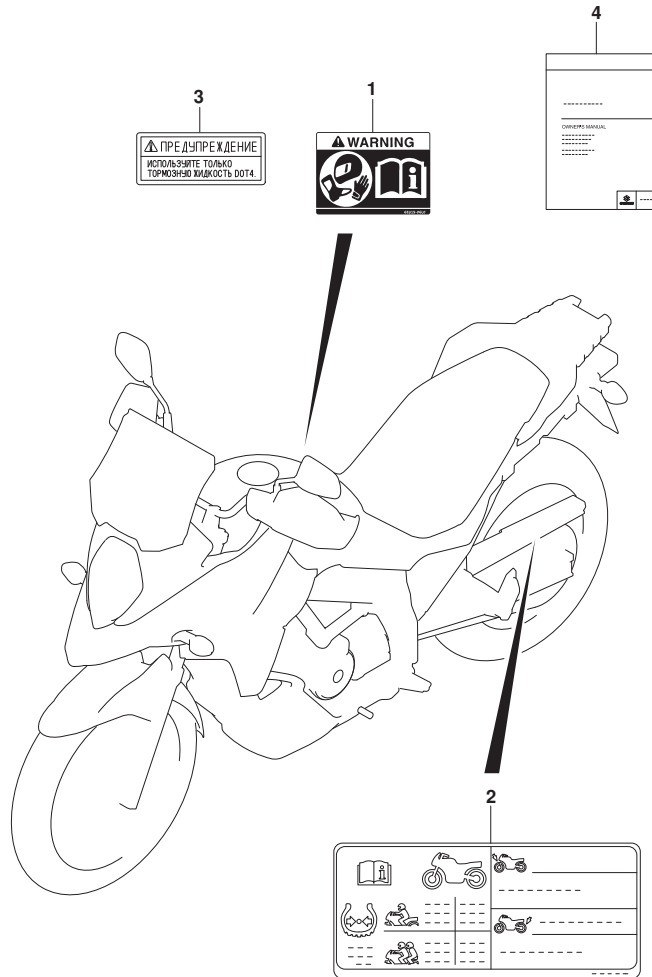


FIG.496A (1-F-11) LABEL

REF NO.	PART NO.	DESCRIPTION	Q'TY	REMARKS
1-1	68319-06L00	LABEL, GENERAL WARNING	1	ENGLISH
1-2	68319-06L20	LABEL, GENERAL WARNING	1	GERMAN
1-3	68319-06L30	LABEL, GENERAL WARNING	1	FRENCH
1-4	68319-06L40	LABEL, GENERAL WARNING	1	ITALIAN
1-5	68319-06L50	LABEL, GENERAL WARNING	1	SPANISH
1-6	68319-06L70	LABEL, GENERAL WARNING	1	DUTCH
1-7	68319-06L80	LABEL, GENERAL WARNING	1	PORTUGUESE
1-8	68319-06LP0	LABEL, GENERAL WARNING	1	RUSSIAN
2	68332-28K01	LABEL, TIRE INFORMATION	1	
3	68386-14J01	LABEL, BRAKE FLUID INFORMATION	2	
4-1	99011-28K55-01A	MANUAL, OWNER'S	1	ENGLISH
4-2	99011-28K55-01E	MANUAL, OWNER'S	1	ITALIAN
4-3	99011-28K55-01F	MANUAL, OWNER'S	1	FRENCH
4-4	99011-28K55-01H	MANUAL, OWNER'S	1	DUTCH
4-5	99011-28K55-01K	MANUAL, OWNER'S	1	GERMAN
4-6	99011-28K55-029	MANUAL, OWNER'S	1	SPANISH
4-7	99011-28K55-070	MANUAL, OWNER'S	1	RUSSIAN

FIG.505A

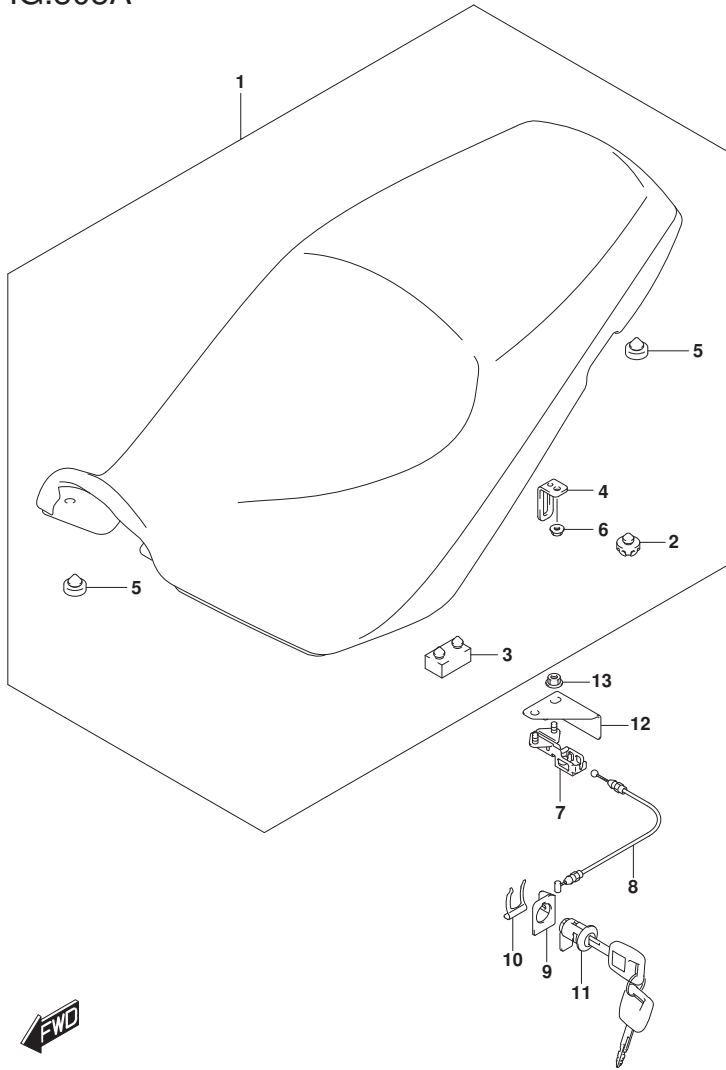


FIG.505A (1-F-12) SEAT

REF NO.	PART NO.	DESCRIPTION	Q'TY	REMARKS
1	45100-28K01-BGP	SEAT ASSY (BLACK/GRAY)	1	
2	45148-20G90	.CUSHION, SEAT MOUNT	2	
3	09321-08006	.CUSHION	4	
4	45212-18K00	.STRIKER, SEAT LOCK	1	
5	45148-28K00	.CUSHION	4	
6	08316-1006A	.NUT (6X12)	1	
7	45220-04K20	BRACKET, STRIKER SUPPORT	1	
8	45280-28K00	CABLE, SEAT LOCK	1	
9	45288-14F00	GUIDE, SEAT LOCK CABLE	1	
10	45289-28K00	PLATE, SEAT LOCK ASSY	1	
11	95700-14810	LOCK SET, SEAT	1	
12	45288-28K00	GUARD, SEAT LOCK	1	
13	08316-1006A	NUT (6X12)	2	

FIG.521A

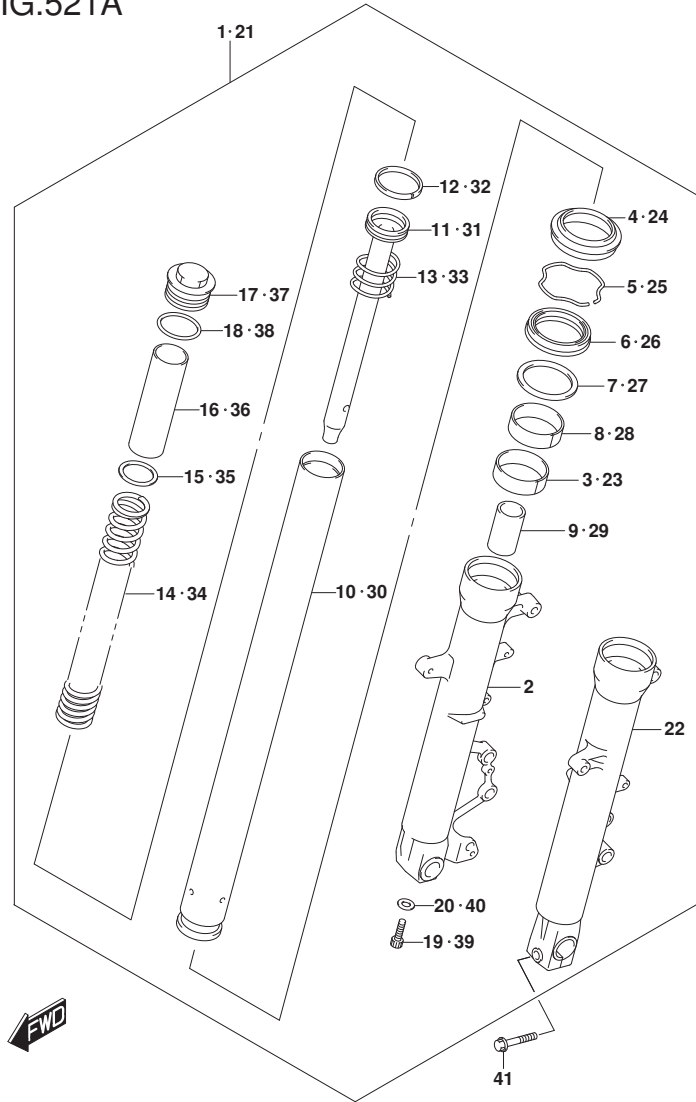


FIG.521A (1-F-13) FRONT FORK DAMPER

REF NO.	PART NO.	DESCRIPTION	Q'TY	REMARKS
1	51103-28K10-291	DAMPER ASSY, FR FORK RH (BLACK)	1	
2	51131-28K00-291	.TUBE, OUTER RH (BLACK)	1	
3	51121-11J00	.BUSH SLIDE	1	
4	51173-27G00	.SEAL, DUST	1	
5	51556-38B00	.RING, STOPPER	1	
6	51553-47H00	.OIL SEAL	1	
7	51168-17C00	.SPACER, SEAL	1	
8	51152-47H00	.BUSH, GUIDE	1	
9	51195-27G00	.PIECE, OIL LOCK	1	
10	51110-28K10	.PIPE, FORK	1	
11	51146-11J00	.PIPE SEAT	1	
12	51196-27G00	.RING, PISTON	1	
13	51177-14D00	.SPRING, REBOUND	1	
14	51171-28K10	.SPRING, FR	1	
15	51186-17C00	.SEAT, SPRING LOWER	1	LOWER
16	51176-19C00	.COLLAR, SPRING	1	
17	51189-28K00	.BOLT, FORK	1	
18	51117-17C00	.O RING	1	
19	51147-06F10	.BOLT (8X18)	1	
20	51148-31030	.GASKET	1	
21	51104-28K10-291	DAMPER ASSY, FR FORK LH (BLACK)	1	
22	51141-28K00-291	.TUBE, OUTER LH (BLACK)	1	
23	51121-11J00	.BUSH SLIDE	1	
24	51173-27G00	.SEAL, DUST	1	
25	51556-38B00	.RING, STOPPER	1	
26	51553-47H00	.OIL SEAL	1	
27	51168-17C00	.SPACER, SEAL	1	
28	51152-47H00	.BUSH, GUIDE	1	
29	51195-27G00	.PIECE, OIL LOCK	1	
30	51110-28K10	.PIPE, FORK	1	
31	51146-11J00	.PIPE SEAT	1	
32	51196-27G00	.RING, PISTON	1	
33	51177-14D00	.SPRING, REBOUND	1	
34	51171-28K10	.SPRING, FR	1	

FIG.521A

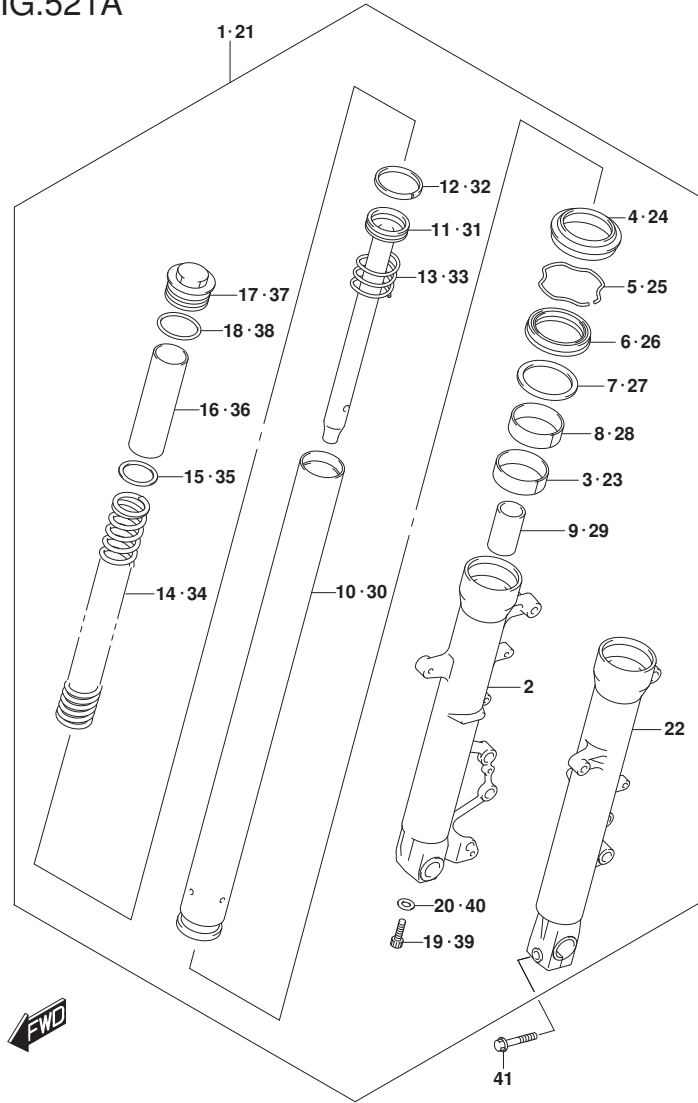


FIG.521A (1-F-14) FRONT FORK DAMPER

REF NO.	PART NO.	DESCRIPTION	QTY	REMARKS
35	51186-17C00	.SEAT, SPRING LOWER	1	LOWER
36	51176-19C00	.COLLAR, SPRING	1	
37	51189-28K00	.BOLT, FORK	1	
38	51117-17C00	.O RING	1	
39	51147-06F10	.BOLT (8X18)	1	
40	51148-31030	.GASKET	1	
41	51328-27E30	BOLT, HOLDER AXLE LH (8X40)	1	



FIG.524A

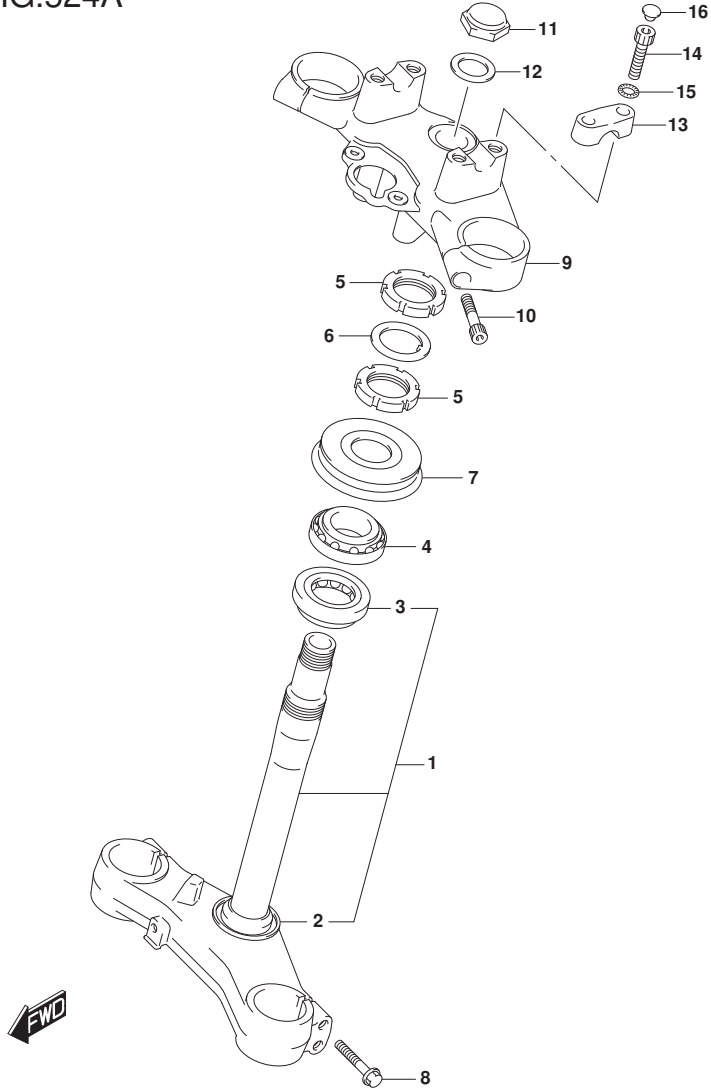


FIG.524A (1-G-2) STEERING STEM

REF NO.	PART NO.	DESCRIPTION	Q'TY	REMARKS
1	51410-28K00	STEM, STEERING	1	
2	51644-12C00	.SEAL, STEERING LOWER	1	LOWER
3	09267-30010	.BEARING (30X55X17)	1	
4	09267-30010	BEARING (30X55X17)	1	
5	51631-33E00	NUT, STEERING STEM	2	
6	51641-33E00	WASHER, STEERING STEM	1	
7	51643-33E00	SEAL, STEERING UPPER DUST	1	UPPER
8	51328-27E30	BOLT, HOLDER AXLE (8X40)	4	
9	51311-11J00-291	BRACKET, UPR (BLACK)	1	UPPER
10	51166-38B40	BOLT	2	
11	51353-27G00	NUT	1	
12	51354-06G00	WASHER	1	
13	56211-06G40-291	HOLDER, HANDLE UPR (BLACK)	2	UPPER
14	51321-10F00	BOLT	4	
15	09164-08015	WASHER	4	
16	09250-06015	CAP (OD:10.5)	4	

FIG.530A

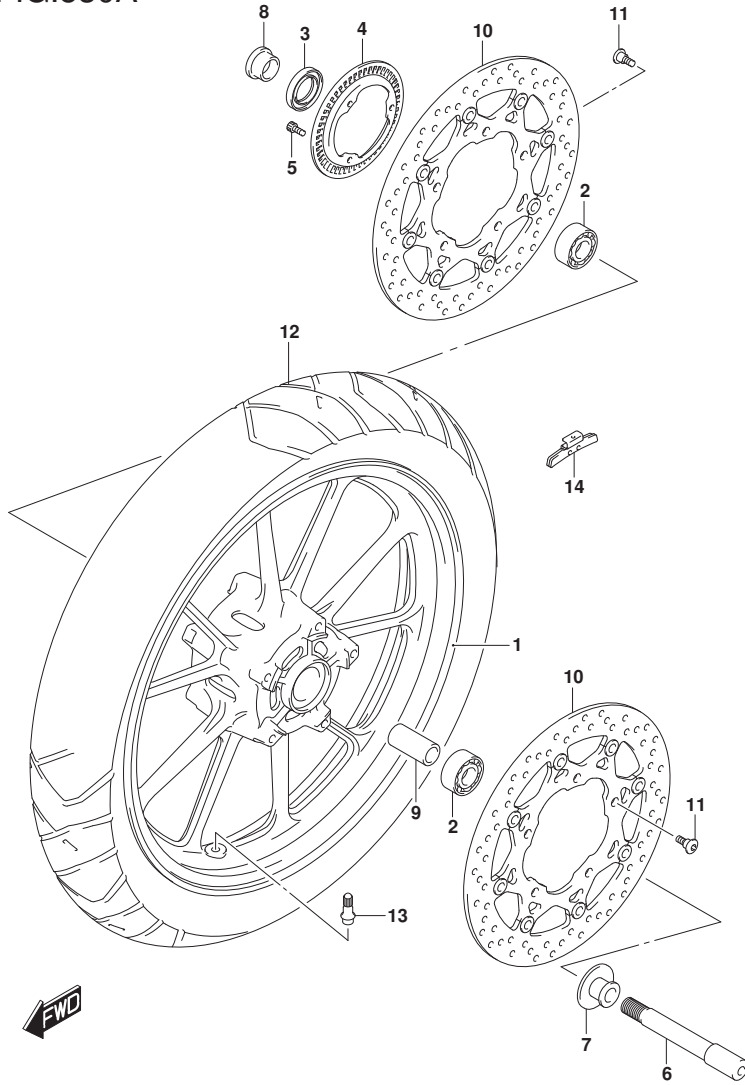


FIG.530A (1-G-3) FRONT WHEEL (DL650AM2 E01)

REF NO.	PART NO.	DESCRIPTION	Q'TY	REMARKS
1	54111-28K00-019	WHEEL, FRONT (19M/CXMT2.50) (BLACK)	1	BLACK
2	08123-6203B	BEARING	2	
3	54841-28K00	SEAL, FRONT HUB BRG DUST	1	
4	54162-28K00	RING, SPEED SENSOR (50T)	1	
5	07130-0512A	BOLT	3	
6	54711-08F10	AXLE, FRONT	1	
7	54750-31F00	SPACER, FRONT AXLE LH	1	
8	54751-10G01	SPACER, FRONT AXLE RH	1	
9	09180-17067	SPACER (17.5X25X88)	1	
10	59210-44G11	DISC, FRONT BRAKE	2	
11	09106-08160	BOLT (8X21)	10	
12	55110-28K00	TIRE, FRONT (BATTLAX ADVENTURE A40F F)	1	BRIDGESTONE
13	43130-24A00	VALVE ASSY, WHEEL RIM (TR412)	1	
14-1	55411-22H00	BALANCER, WHEEL NO.1 (10G)	AR	
14-2	55412-22H00	BALANCER, WHEEL NO.2 (20G)	AR	
14-3	55413-22H00	BALANCER, WHEEL NO.3 (30G)	AR	

FIG.530B

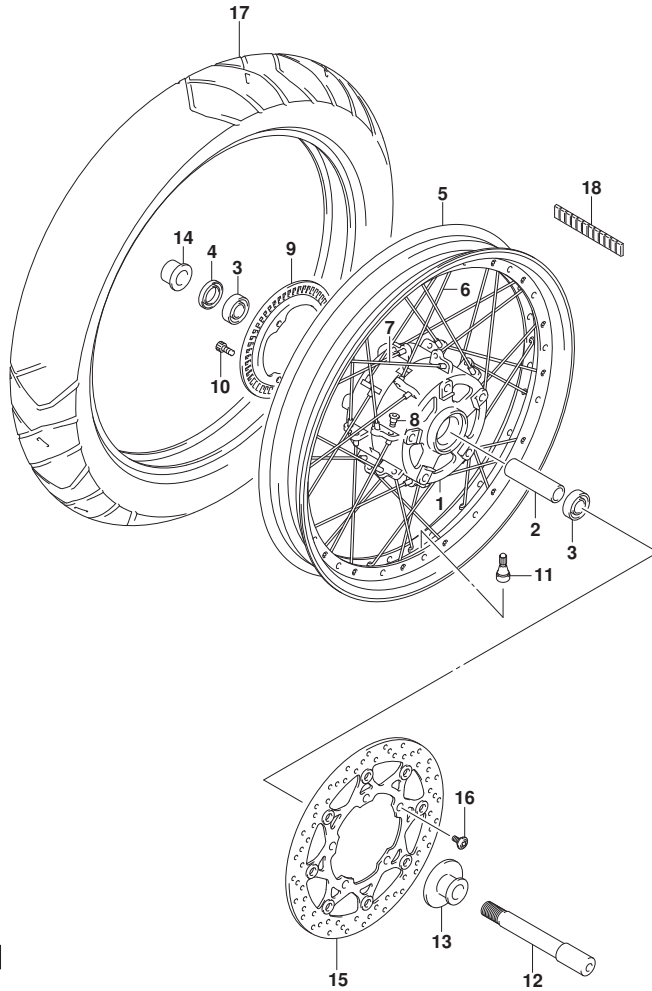


FIG.530B (1-G-4) FRONT WHEEL (DL650XAM2 E01)

REF NO.	PART NO.	DESCRIPTION	Q'TY	REMARKS
1	54111-11J00	HUB, FRONT	1	
2	09180-17067	SPACER (17.5X25X88)	1	
3	08123-6203B	BEARING	2	
4	54841-28K00	SEAL, FRONT HUB BRG DUST	1	
5-1	55311-11J10	RIM, FR WHEEL (19M/CXMT2.50)	1	GOLD FOR YUH,YU1
5-2	55311-11J20	RIM, FR WHEEL (19M/CXMT2.50)	1	BLUE FOR CFR,YVB
6	55321-11J01	SPOKE, FRONT WHEEL INNER	16	
7	55322-11J01	SPOKE, FRONT WHEEL OUTER	16	
8	55326-11J00	NIPPLE, WHEEL	32	
9	54162-28K00	RING, SPEED SENSOR (50T)	1	
10	07130-0512A	BOLT	3	
11	43130-24A00	VALVE ASSY, WHEEL RIM (TR412)	1	
12	54711-08F10	AXLE, FRONT	1	
13	54750-31F00	SPACER, FRONT AXLE LH	1	
14	54751-10G01	SPACER, FRONT AXLE RH	1	
15	59210-44G11	DISC, FRONT BRAKE	2	
16	09106-08160	BOLT (8X21)	10	
17	55110-28K00	TIRE, FRONT (BATTLAX ADVENTURE A40F F)	1	BRIDGESTONE
18	55411-11J00	WEIGHT, WHEEL BALANCE (5GRAM)	AR	

FIG.533A

FIG.533A (1-G-5) HYDRAULIC UNIT

REF NO.	PART NO.	DESCRIPTION	Q'TY	REMARKS
1	55610-28K01	UNIT ASSY, HYDRAULIC ABS	1	
2	55660-11J10	HOLDER, HYDR UNIT ABS	1	
3	01550-0612A	BOLT	2	
4	09116-06171	BOLT (6X30)	1	
5	09116-06176	BOLT (6X37)	2	
6	09180-06296	SPACER (6.5X10X20)	3	
7	09320-10061	CUSHION	3	
8	55667-27G20	COVER, HYDR ABS UNIT	1	
9	09111-06066	BOLT (6X16)	1	
10	09409-08308	CLIP	2	
11	55710-28K00	SENSOR, FR WHEEL SPEED	1	
12	01547-0616B	BOLT	1	
13	65710-28K00	SENSOR, RR WHEEL SPEED	1	
14	01547-0616A	BOLT	1	
15	65731-28K00	CLAMP, RR WHEEL SPEED SENSOR	1	
16	09407-14407	CLAMP (L:145)	2	
17	09408-00266	CLAMP	5	
18	34938-14F00	GUIDE, SENSOR LEAD	1	
19	01547-0612A	BOLT	1	
20	55731-28K00	CLAMP, FR WHL SPD SENSOR	1	
21	01547-0612A	BOLT	1	

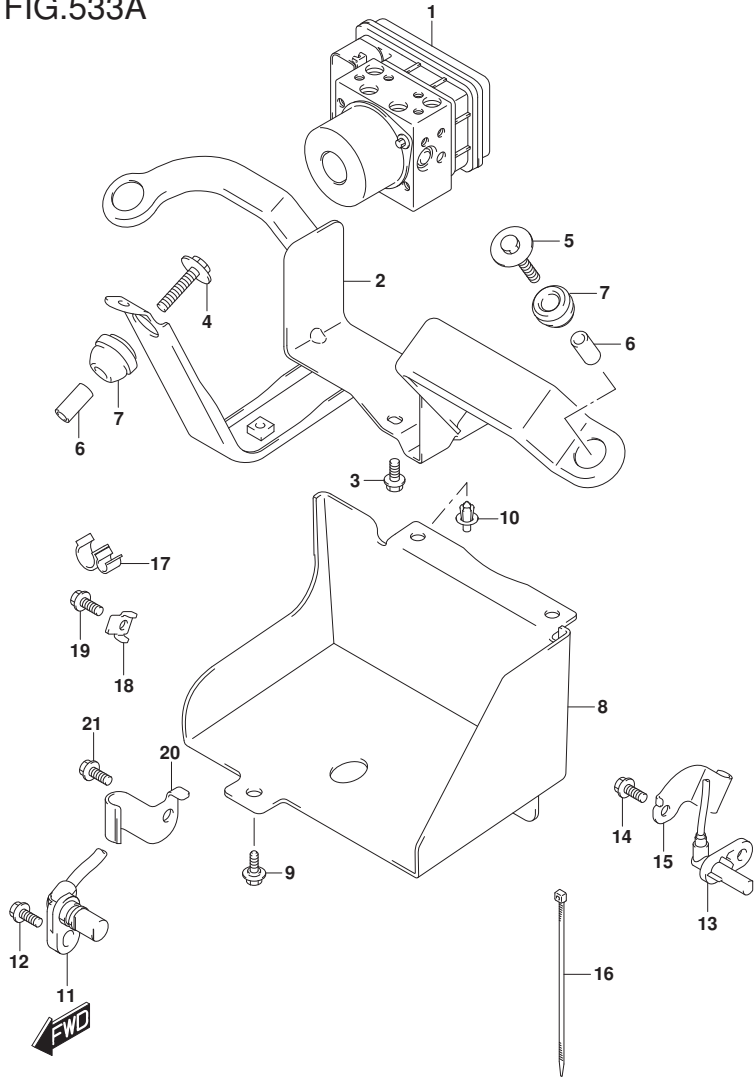


FIG.535A

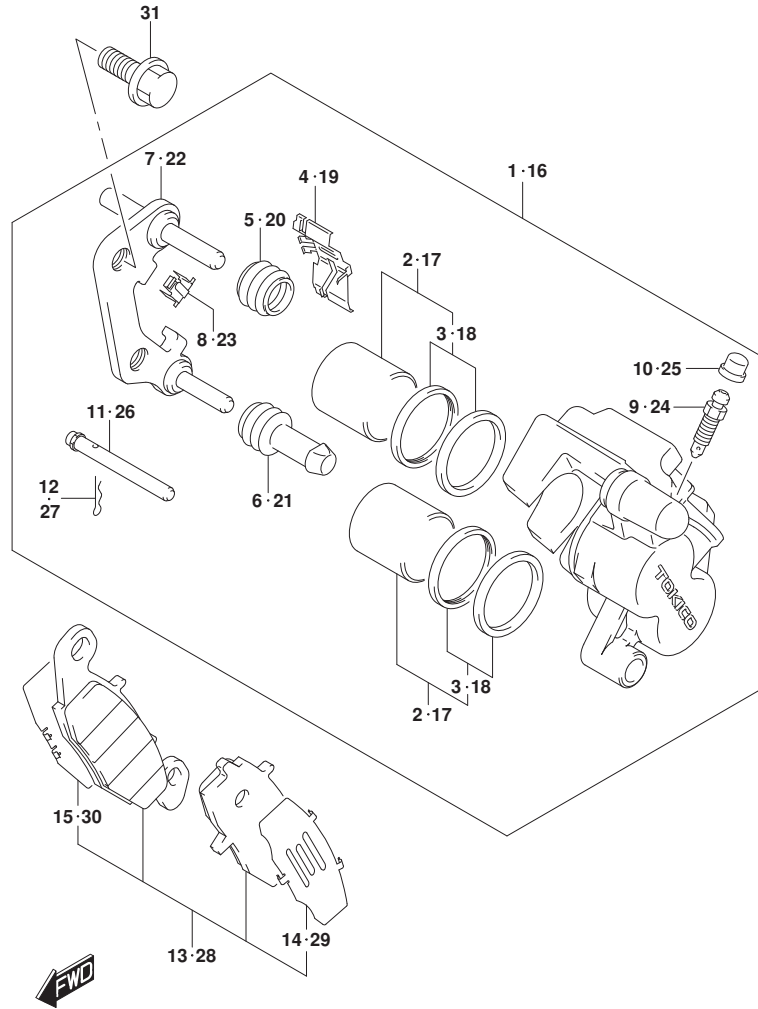


FIG.535A (1-G-6) FRONT CALIPER

REF NO.	PART NO.	DESCRIPTION	Q'TY	REMARKS
1	59100-33DQ0-999	CALIPER ASSY, FR RH	1	
2	59300-01820	.PISTON SET	1	
3	59100-04851	..SEAL SET, PISTON	1	
4	59115-33D00	.SPRING, PAD RH	1	
5	59112-44B00	.BOOT, AXLE	1	
6	59313-36500	.INSULATOR, AXLE	1	
7	59150-33D01	.CARRIER, CALIPER RH	1	
8	59116-33D00	.GUIDE, PAD	1	
9	59121-18410	.BLEEDER	1	
10	55156-66310	.CAP, BLEEDER PLUG (M10X1)	1	
11	59141-44B01	.PIN, PAD	1	
12	69142-45000	.CLIP, PAD PIN	1	
13	59102-33870	PAD & SHIM SET RH	1	
14	59171-33D00	.SHIM, PAD	1	
15	59172-33D00	.SHIM, PAD NO.2	1	
16	59300-33DQ0-999	CALIPER ASSY, FR LH	1	
17	59300-01820	.PISTON SET	1	
18	59100-04851	..SEAL SET, PISTON	1	
19	59315-33D00	.SPRING, PAD LH	1	
20	59112-44B00	.BOOT, AXLE	1	
21	59313-36500	.INSULATOR, AXLE	1	
22	59350-33D01	.CARRIER, CALIPER LH	1	
23	59116-33D00	.GUIDE, PAD	1	
24	59121-18410	.BLEEDER	1	
25	55156-66310	.CAP, BLEEDER PLUG (M10X1)	1	
26	59141-44B01	.PIN, PAD	1	
27	69142-45000	.CLIP, PAD PIN	1	
28	59302-33850	PAD & SHIM SET LH	1	
29	59171-33D00	.SHIM, PAD	1	
30	59172-33D00	.SHIM, PAD NO.2	1	
31	01550-1025A	BOLT	4	

FIG.536A

FIG.536A (1-G-7) FRONT BRAKE HOSE

REF NO.	PART NO.	DESCRIPTION	Q'TY	REMARKS
1	59240-11J00	HOSE, FR BRAKE NO.2	1	
2	59250-28K00	PIPE, BK JOINT RH TO HU	1	
3	59260-06G10	CLAMP, FR BRAKE HOSE	1	
4	59260-11J00	CLAMP, FR BK HOSE NO.2	1	
5	59268-11J00	CLAMP, FR BRAKE HOSE RH	1	
6	59450-28K00	PIPE, HU TO BK JOINT LH	1	
7	59480-11J01	HOSE, FR BRAKE NO.1	1	
8	09403-16412	CLAMP	1	
9	01547-0612A	BOLT	4	
10	01547-0616A	BOLT	2	
11	59540-11J00	GUIDE, FR BRAKE HOSE	1	
12	59560-11J01	HOSE, FR BRAKE NO.3	1	
13	09161-10009	WASHER (10X15X1.5)	7	
14	09360-10062	UNION (10X1.25X22)	1	
15	09360-10062	UNION (10X1.25X22)	1	
16	09360-10064	UNION (10X1.25X36)	1	
17	09403-07344	CLAMP	1	
18	09403-06324	CLAMP	1	

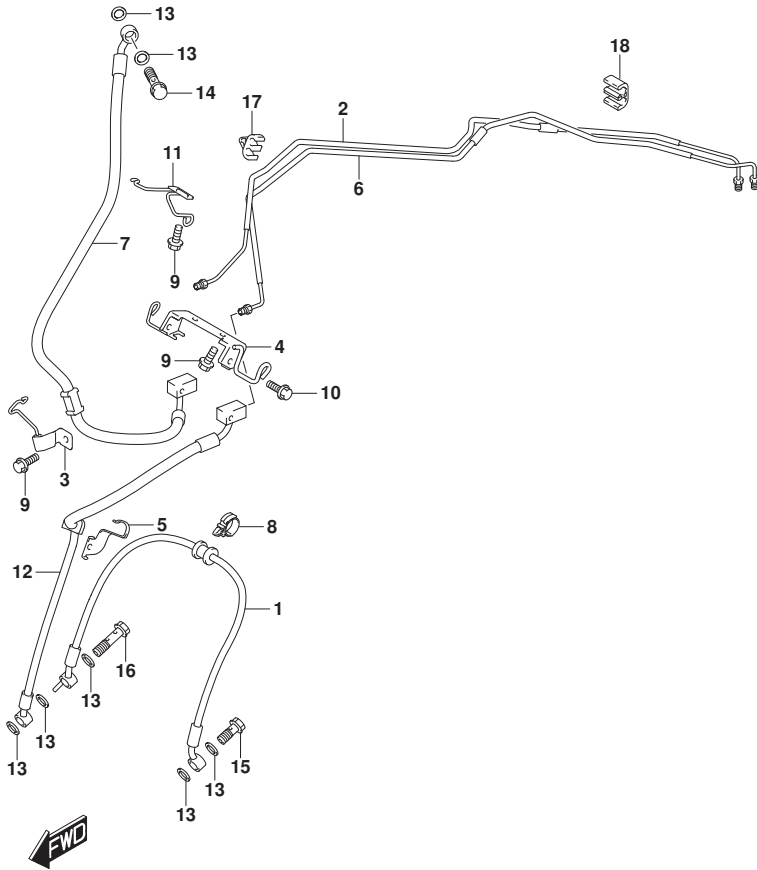


FIG.537A

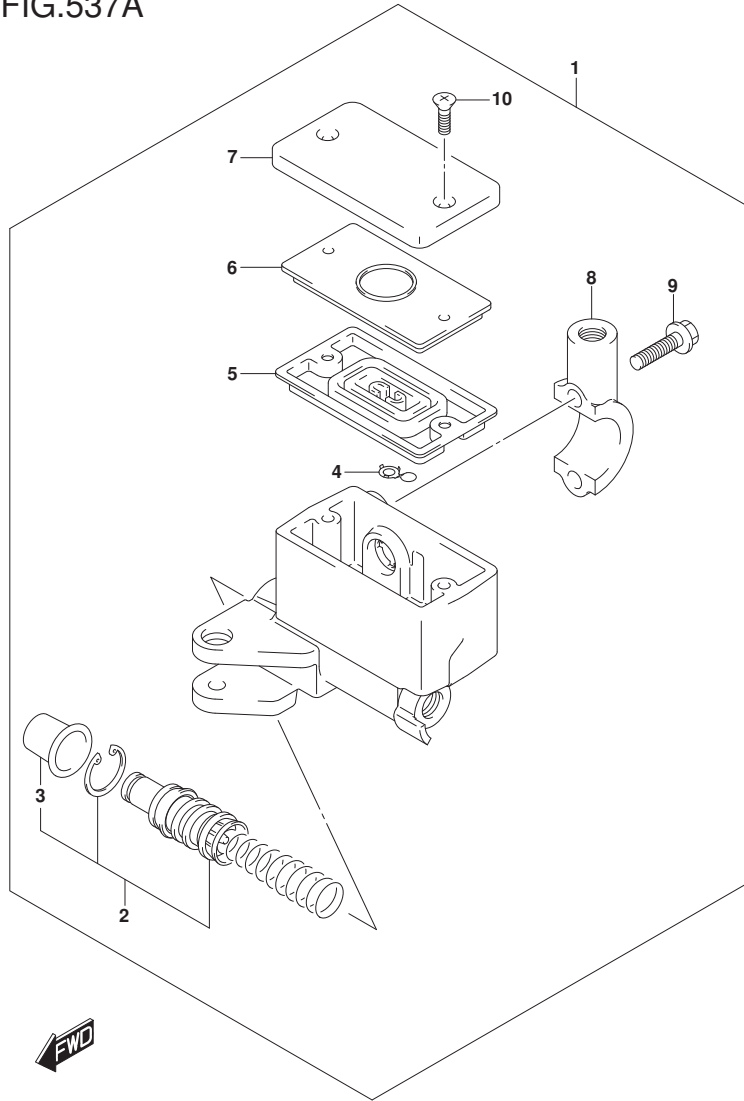


FIG.537A (1-G-8) FRONT MASTER CYLINDER

REF NO.	PART NO.	DESCRIPTION	Q'TY	REMARKS
1	59600-10G50	CYLINDER ASSY, FRONT MASTER	1	
2	59600-45870	.PISTON & CUP SET	1	
3	59666-44300	..BOOT	1	
4	59664-32F00	.PROTECTOR	1	
5	59667-49460	.DIAPHRAGM	1	
6	59668-41C00	.PLATE, DIAPHRAGM	1	
7	59669-10G20	.CAP	1	
8	59671-32F00	.HOLDER	1	
9	59675-02FA0	.BOLT (6X22)	2	
10	69689-49300	.SCREW, RESERVOIR CAP	2	

FIG.541A

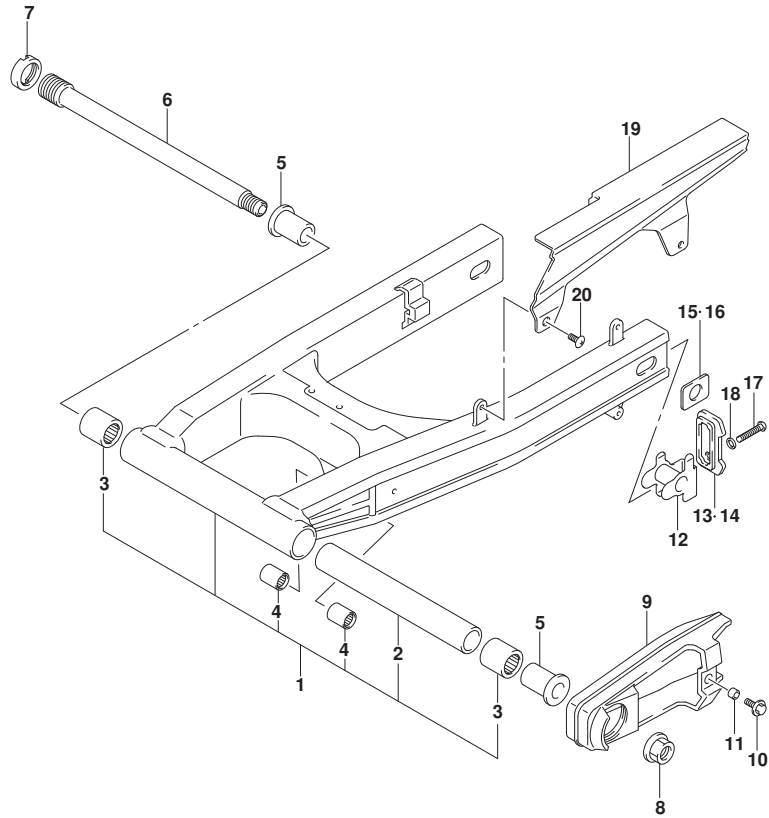


FIG.541A (1-G-9) REAR SWINGARM

REF NO.	PART NO.	DESCRIPTION	Q'TY	REMARKS
1	61000-27G31-YAP	SWINGINGARM ASSY, REAR (BLACK)	1	
2	09180-20118	.SPACER (20.8X27.2X196.7)	1	
3	09263-25073	.BEARING (25X33X35)	2	
4	09263-17053	.BEARING (17X24X25)	2	
5	61251-31E00	SPACER, RR SWGARM PIVOT BRG	2	
6	61211-06G00	SHAFT, RR SWGARM PIVOT	1	
7	61214-19F10	NUT, RR SWGARM PIVOT BOLT	1	
8	08319-3118A	NUT	1	
9	61273-27G01	BUFFER, CHAIN TOUCH DEFENSE	1	
10	09116-06111	BOLT (6X20)	1	
11	09180-06283	SPACER (6.5X10X7)	1	
12	61410-03F00	ADJUSTER, CHAIN	2	
13	61421-33D01	PLATE, CHAIN ADJUSTER GUIDE RH	1	
14	61422-33D01	PLATE, CHAIN ADJUSTER GUIDE LH	1	
15	64712-03F01	WASHER, CHAIN ADJUSTER RH	1	
16	64713-03F01	WASHER, CHAIN ADJUSTER LH	1	
17	09106-08119	BOLT (8X50)	2	
18	09164-08015	WASHER	2	
19	61310-16G00	CASE, CHAIN	1	
20	09139-06225	SCREW	2	





FIG.543A

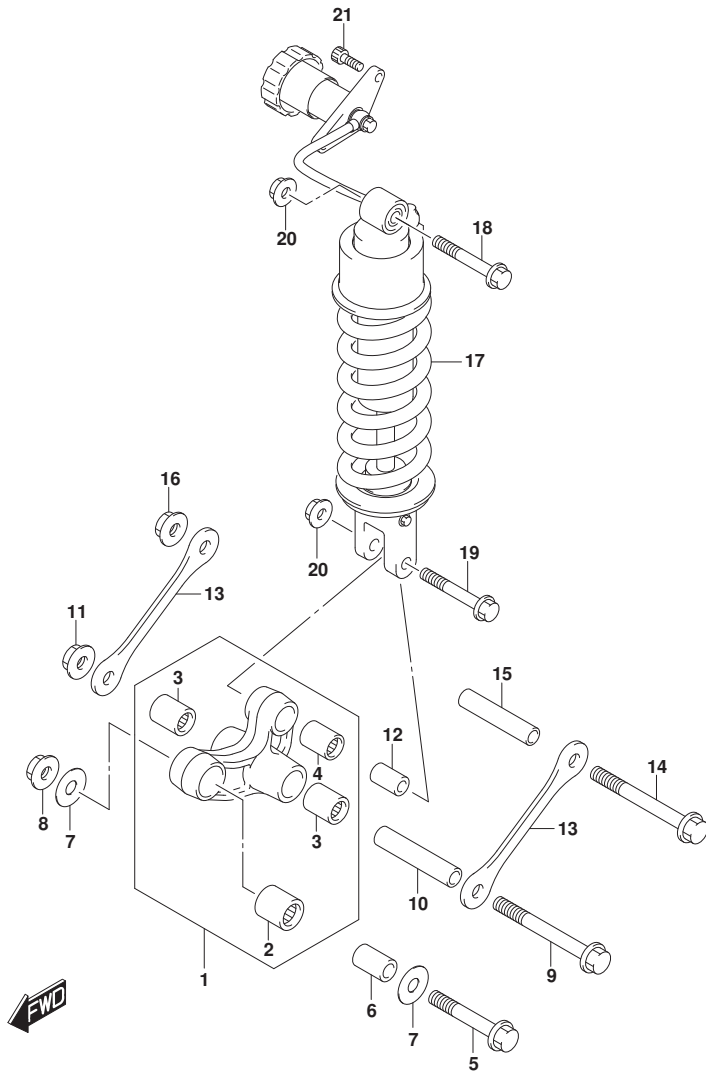


FIG.543A (1-G-10) REAR CUSHION LEVER

REF NO.	PART NO.	DESCRIPTION	Q'TY	REMARKS
1	62600-06872	LEVER SET, RR CUSHION	1	
2	09263-20121	.BEARING (20X27X30)	1	FRONT
3	09263-17053	.BEARING (17X24X25)	2	CENTER
4	09263-17057	.BEARING (17X24X26)	1	REAR
5	62658-19F00	BOLT, RR CUSHION LEVER FR (12X78)	1	
6	62684-12C00	SPACER, RR CUSHION LVR FR (12X20X32)	1	
7	09160-12037	WASHER (12X34X1.0)	2	
8	09159-12056	NUT	1	
9	62621-19D00	BOLT, REAR CUSHION ROD (12X111)	1	
10	09180-12122	SPACER (12X17X85)	1	CENTER
11	09159-12056	NUT	1	
12	62684-40A10	SPACER, RR CUSHION LEVER (10X17X30)	1	
13	62641-06G00	ROD, RR CUSHION LEVER	2	
14	62621-19D00	BOLT, REAR CUSHION ROD (12X111)	1	
15	09180-12122	SPACER (12X17X85)	1	ROD
16	09159-12056	NUT	1	
17	62100-28K01-019	ABSORBER ASSY, RR SHOCK (BLACK)	1	
18	09103-10033	BOLT (10X70)	1	UPPER
19	09103-10143	BOLT (10X55)	1	LOWER
20	09159-10115	NUT (M10)	2	
21	07130-0816A	BOLT	2	

FIG.550A

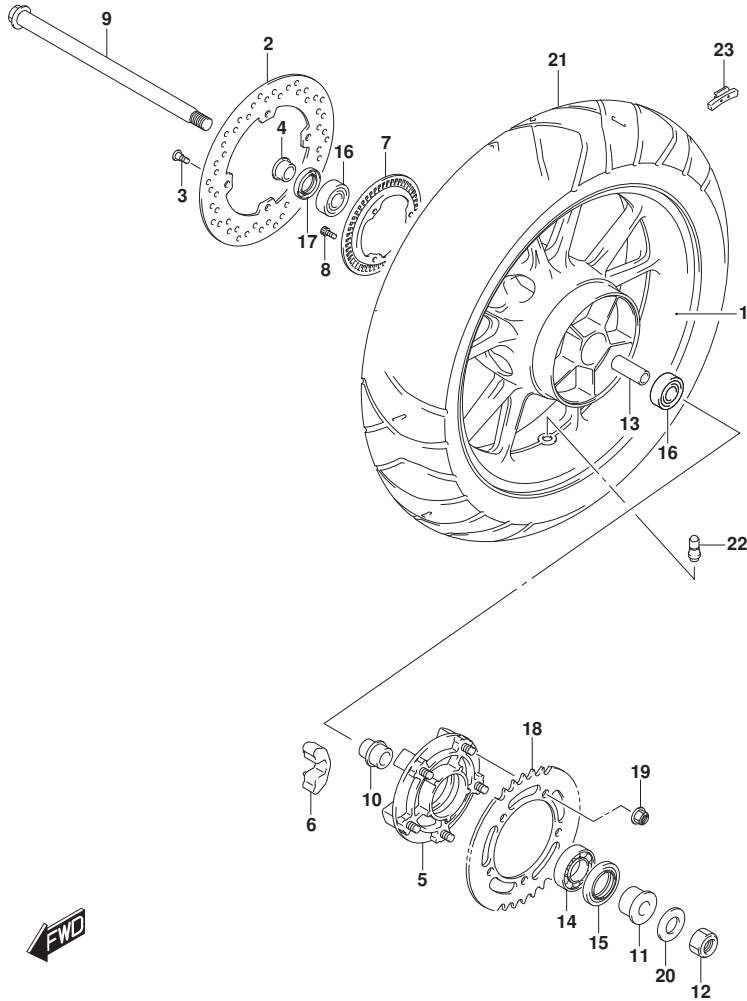
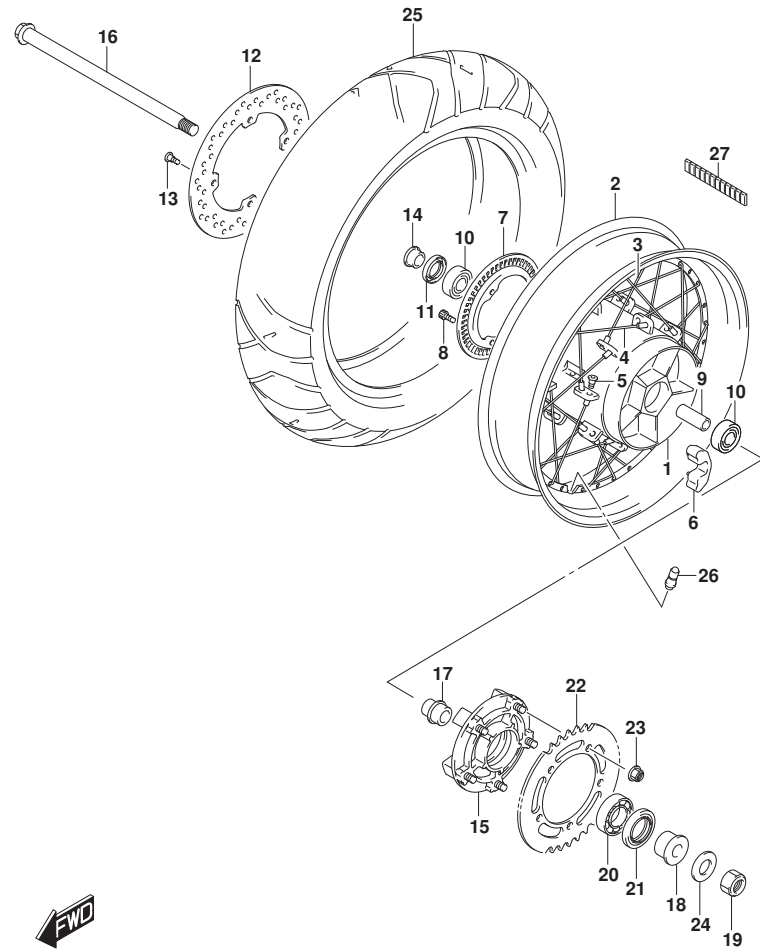


FIG.550A (1-G-11) REAR WHEEL (DL650AM2 E01)

REF NO.	PART NO.	DESCRIPTION	Q'TY	REMARKS
1	64111-28K00-019	WHEEL, REAR (17M/CXMT4.00) (BLACK)	1	
2	69211-06G10	DISC, RR BRAKE	1	
3	09106-08160	BOLT (8X21)	4	
4	64741-10F00	SPACER, REAR AXLE RH	1	
5	64610-35F40	DRUM, REAR SPROCKET	1	
6	64651-35F10	ABSORBER, REAR HUB SHOCK	5	
7	54162-28K00	RING, SPEED SENSOR (50T)	1	
8	07130-0512A	BOLT	3	
9	64711-03F00	AXLE, REAR	1	
10	64733-06G00	RETAINER, REAR SPROCKET DRUM	1	
11	64751-27G00	SPACER, REAR AXLE LH	1	
12	09159-18007	NUT	1	
13	09180-20112	SPACER (20.8X27.2X124)	1	
14	09262-32024	BEARING (32X65X17)	1	
15	09285-39001	OIL SEAL (39X65X7)	1	
16	08123-6204B	BEARING	2	
17	09285-28004	OIL SEAL (27X47X7)	1	
18	64511-27G00	SPROCKET, REAR (47T-525)	1	
19	08319-3110A	NUT	5	
20	09160-19025	WASHER (19X32X3.2)	1	
21	65110-28K00	TIRE, REAR (BATTLAX ADVENTURE A40R F)	1	BRIDGESTONE
22	43130-24A00	VALVE ASSY, WHEEL RIM (TR412)	1	
23-1	55411-22H00	BALANCER, WHEEL NO.1 (10G)	AR	
23-2	55412-22H00	BALANCER, WHEEL NO.2 (20G)	AR	
23-3	55413-22H00	BALANCER, WHEEL NO.3 (30G)	AR	

FIG.550B



DL650AM2\_E01\_550B  
REAR WHEEL

FIG.550B (1-G-12) REAR WHEEL (DL650XAM2 E01)

REF NO.	PART NO.	DESCRIPTION	Q'TY	REMARKS
1	64111-11J00	HUB, RR	1	
2-1	65311-28K10	RIM, RR WHEEL (17M/CXMT4.00)	1	GOLD
2-2	65311-28K20	RIM, RR WHEEL (17M/CXMT4.00)	1	FOR YUH,YU1 BLUE FOR CFR,YVB
3	65321-11J01	SPOKE, REAR WHEEL INNER	16	
4	65322-11J01	SPOKE, REAR WHEEL OUTER	16	
5	55326-11J00	NIPPLE, WHEEL	32	
6	64651-35F10	ABSORBER, REAR HUB SHOCK	5	
7	54162-28K00	RING, SPEED SENSOR (50T)	1	
8	07130-0512A	BOLT	3	
9	09180-20112	SPACER (20.8X27.2X124)	1	
10	08123-6204B	BEARING	2	
11	09285-28004	OIL SEAL (27X47X7)	1	
12	69211-06G10	DISC, RR BRAKE	1	
13	09106-08160	BOLT (8X21)	4	
14	64741-10F00	SPACER, REAR AXLE RH	1	
15	64610-35F40	DRUM, REAR SPROCKET	1	
16	64711-03F00	AXLE, REAR	1	
17	64733-06G00	RETAINER, REAR SPROCKET DRUM	1	
18	64751-27G00	SPACER, REAR AXLE LH	1	
19	09159-18007	NUT	1	
20	09262-32024	BEARING (32X65X17)	1	
21	09285-39001	OIL SEAL (39X65X7)	1	
22	64511-27G00	SPROCKET, REAR (47T-525)	1	
23	08319-3110A	NUT	5	
24	09160-19025	WASHER (19X32X3.2)	1	
25	65110-28K00	TIRE, REAR (BATTLAX ADVENTURE A40R F)	1	BATTLAX ADVENTURE A40R F, BRIDGESTONE
26	43130-24A00	VALVE ASSY, WHEEL RIM (TR412)	1	
27	55411-11J00	WEIGHT, WHEEL BALANCE (5GRAM)	AR	

DL650AM2\_E01

FIG.555A

FIG.555A (1-G-13) REAR CALIPER

REF NO.	PART NO.	DESCRIPTION	Q'TY	REMARKS
1	69100-28K00-999	CALIPER ASSY, RR	1	
2	69100-04810	.PISTON SET	1	
3	69100-04820	..SEAL SET, PISTON	1	
4	69115-06G00	.SPRING, PAD	1	
5	59305-36E00	.PIN, BOLT	1	
6	59303-14500	.BOOT	1	
7	69141-40F00	.PIN, PAD	1	
8	59146-21E10	.PLUG, PIN	1	
9	69182-04F00	.BOLT	1	
10	69185-04F00	.SLEEVE	1	
11	69186-04F00	.BOOT, SLEEVE	1	
12	59121-01A00	.BLEEDER	1	
13	59122-46H00	.CAP, BLEEDER	1	
14	69150-28K00	.BRACKET	1	
15	69100-06830	PAD & RETAINER SET	1	
16	69132-06G00	.INSULATOR	2	
17	69133-06G00	.RETAINER	1	
18	69134-06G00	.RETAINER	1	

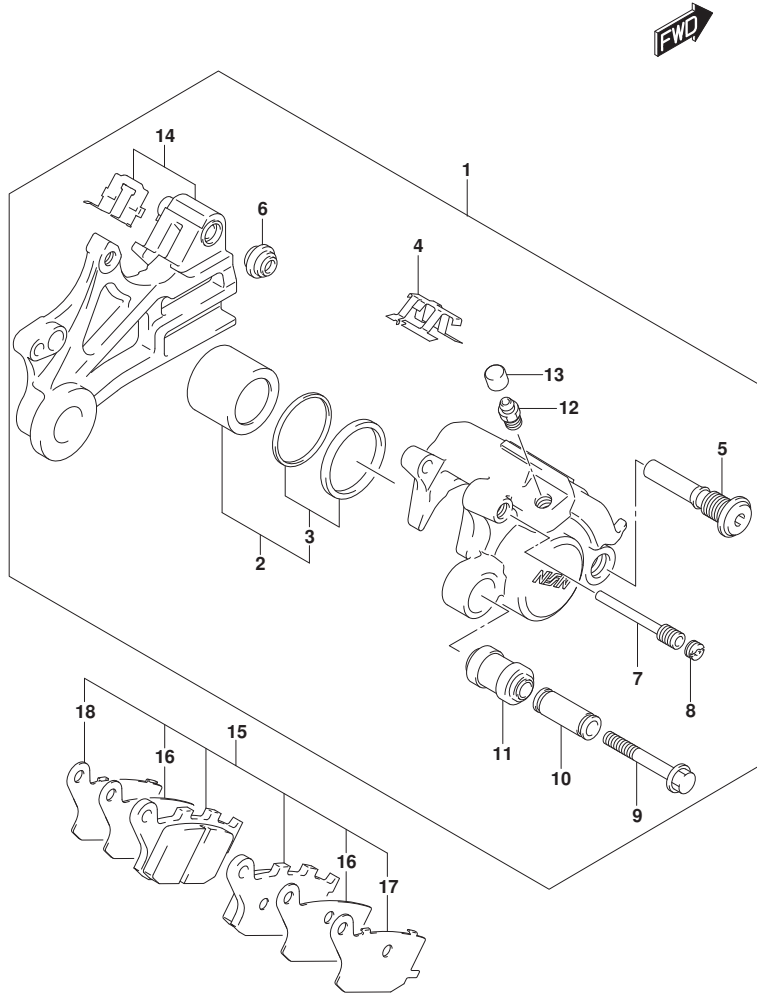


FIG.558A

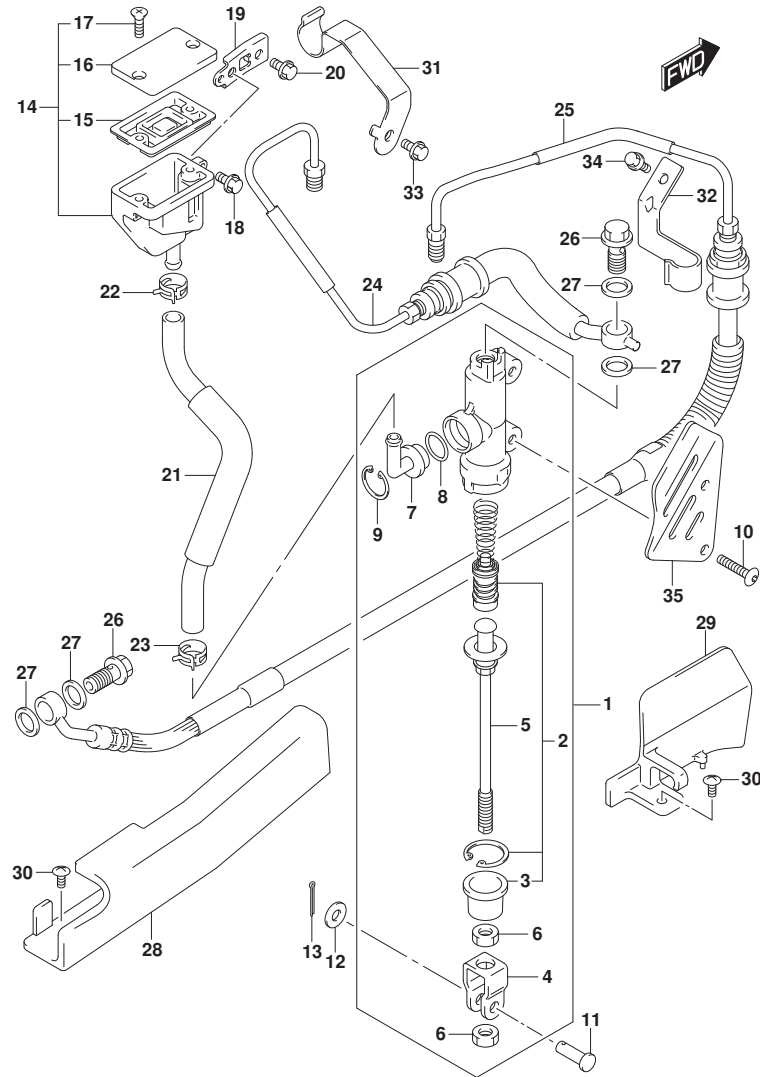


FIG.558A (1-G-14) REAR MASTER CYLINDER

REF NO.	PART NO.	DESCRIPTION	Q'TY	REMARKS
1	69600-06G00	CYLINDER ASSY, REAR MASTER	1	
2	69600-34820	.PISTON/CUP SET	1	
3	69691-00A00	.BOOT	1	
4	69692-19A00	.YOKE	1	
5	69670-03G00	.ROD, PUSH	1	
6	69693-05A00	.NUT	2	
7	69672-00B20	.CONNECTOR	1	
8	69686-34200	.O RING	1	
9	69674-00B20	.CIRCLIP	1	
10	09139-06192	SCREW (6X25)	2	
11	09200-06037	PIN (6X17.7)	1	
12	08322-0106A	WASHER	1	
13	04111-2015A	PIN	1	
14	69740-01D02	TANK ASSY, REAR RESERVOIR	1	
15	59667-04700	.DIAPHRAGM	1	
16	59669-05D00	.CAP	1	
17	69689-04A00	.SCREW	2	
18	01547-0612A	BOLT	1	
19	69750-28K00	BRACKET, RR RESERVOIR TANK	1	
20	01547-0612A	BOLT	1	
21	69730-28K00	HOSE, RR RESERVOIR TANK	1	
22	09401-13417	CLIP (ID:13.2)	1	UPPER
23	09401-12404	CLIP (ID:12)	1	LOWER
24	69200-28K01	HOSE ASSY, RR BK MASTER TO HU	1	
25	69400-11J01	HOSE ASSY, RR BRAKE NO.2	1	
26	09360-10062	UNION (10X1.25X22)	2	
27	09161-10009	WASHER (10X15X1.5)	4	
28	61196-27G10	GUIDE, REAR BRAKE HOSE	1	
29	61196-06G00	GUIDE, RR BRAKE HOSE FR	1	
30	02142-0510A	SCREW	2	
31	69260-11J00	CLAMP, RR BRAKE HOSE	1	
32	69266-27G00	CLAMP, RR BRAKE HOSE NO.2	1	
33	01547-0610B	BOLT	1	
34	01547-0612A	BOLT	1	
35	69641-06G00	COVER, REAR MASTER CYLINDER	1	

FIG.970A

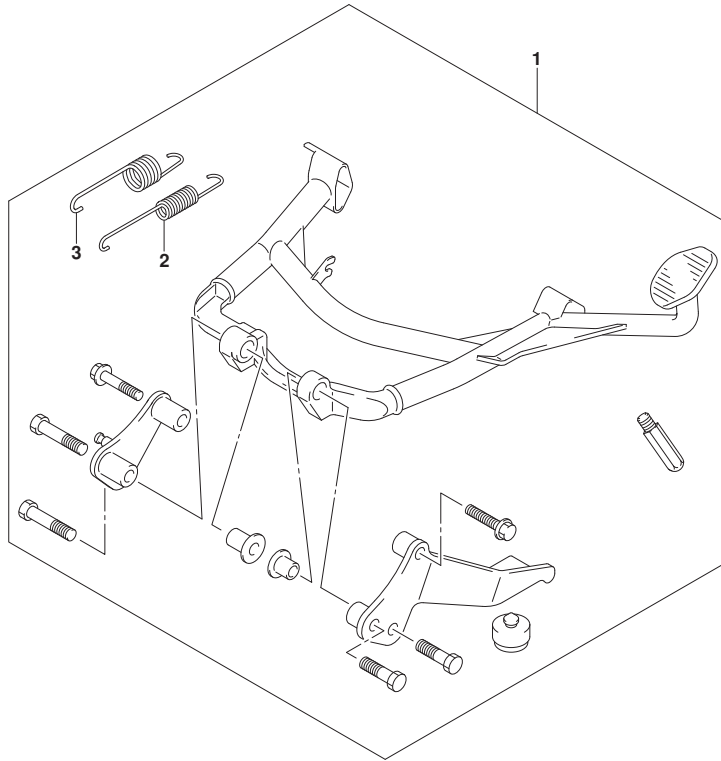
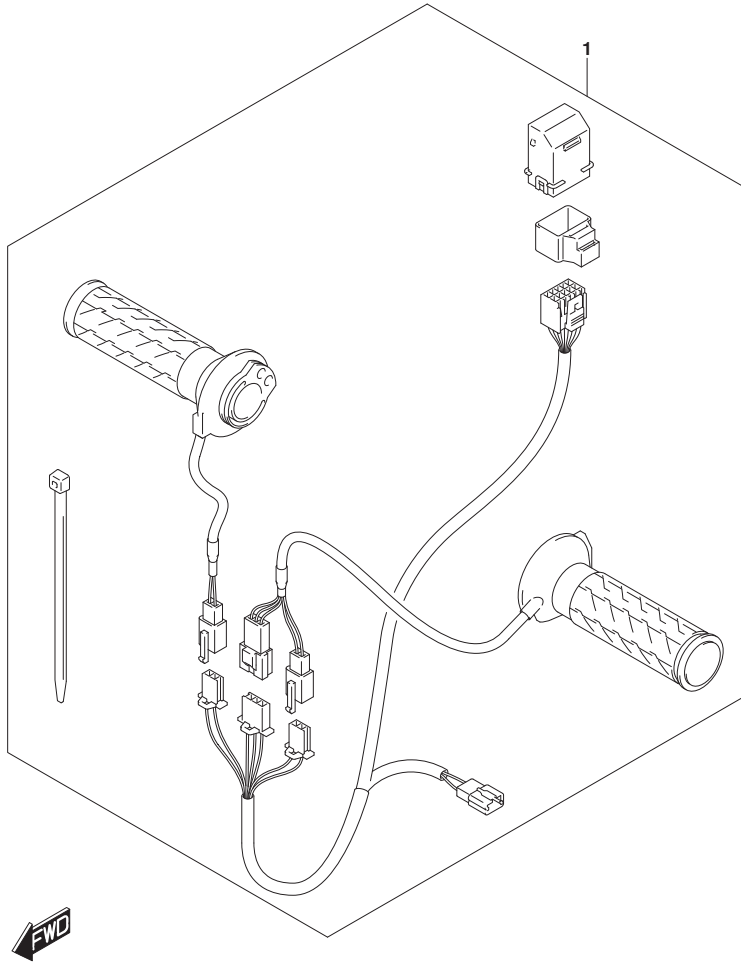


FIG.970A (1-H-2) OPTIONAL (CENTER STAND SET)

REF NO.	PART NO.	DESCRIPTION	QTY	REMARKS
1	42100-06871	STAND SET, CTR	1	
2	09443-19023	.SPRING	1	
3	09443-31001	.SPRING	1	



FIG.970B



**FIG.970B (1-H-3) OPTIONAL (GRIP HEATER SET)**

REF NO.	PART NO.	DESCRIPTION	Q'TY	REMARKS
1	57100-28842	HEATER SET, GRIP	1	

FIG.970C

FIG.970C (1-H-4) OPTIONAL (DL650AM2 E01:KNUCKLE COVER SET)

REF NO.	PART NO.	DESCRIPTION	Q'TY	REMARKS
1	57300-27841-291	COVER SET, KNUCKLE (BLACK)	1	

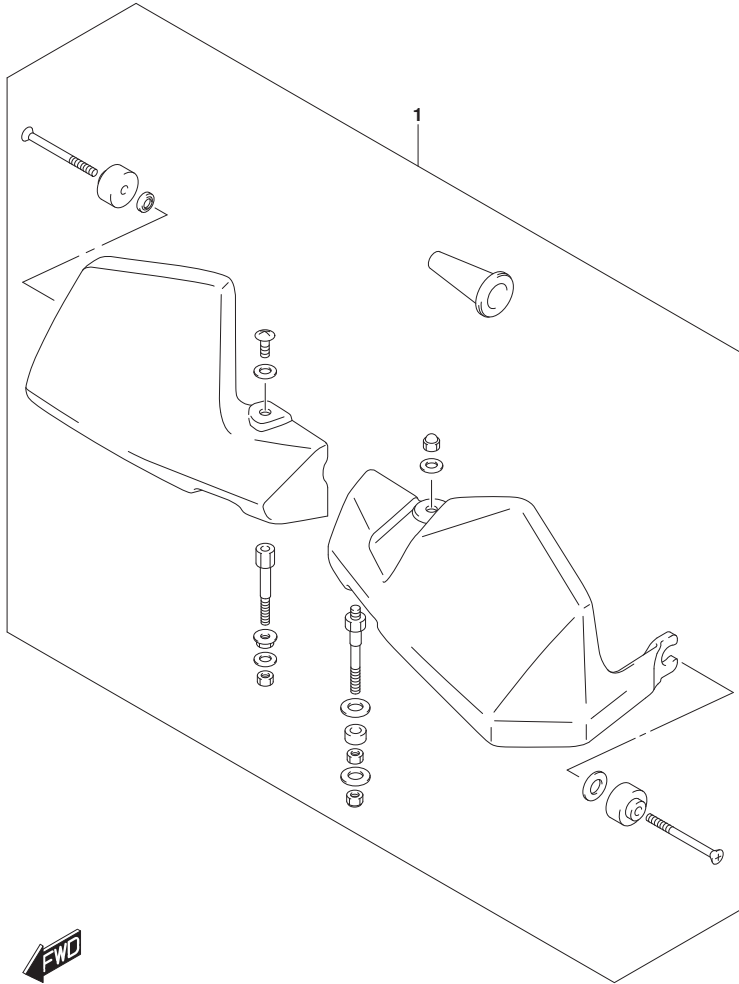




FIG.970D

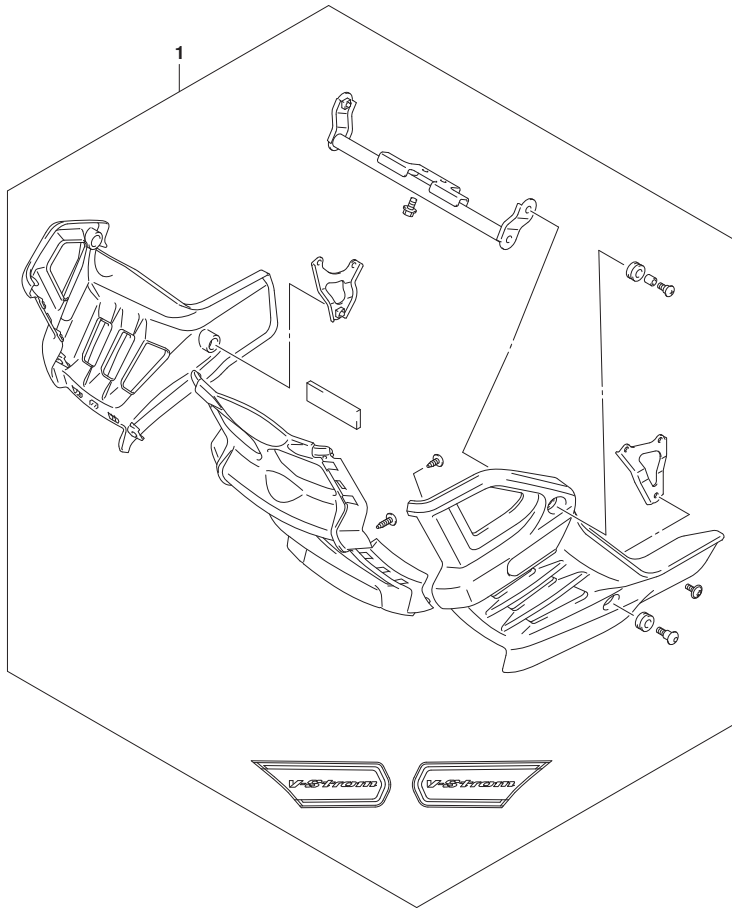


FIG.970D (1-H-5) OPTIONAL (DL650AM2 E01:UNDER COWLING SET)

REF NO.	PART NO.	DESCRIPTION	Q'TY	REMARKS
1	94400-11830-291	COWLING SET, UNDER (BLACK)	1	

FIG.970E

FIG.970E (1-H-6) OPTIONAL (SIDE CASE SET)

REF NO.	PART NO.	DESCRIPTION	Q'TY	REMARKS
1	93100-31840	CASE SET, SIDE	1	

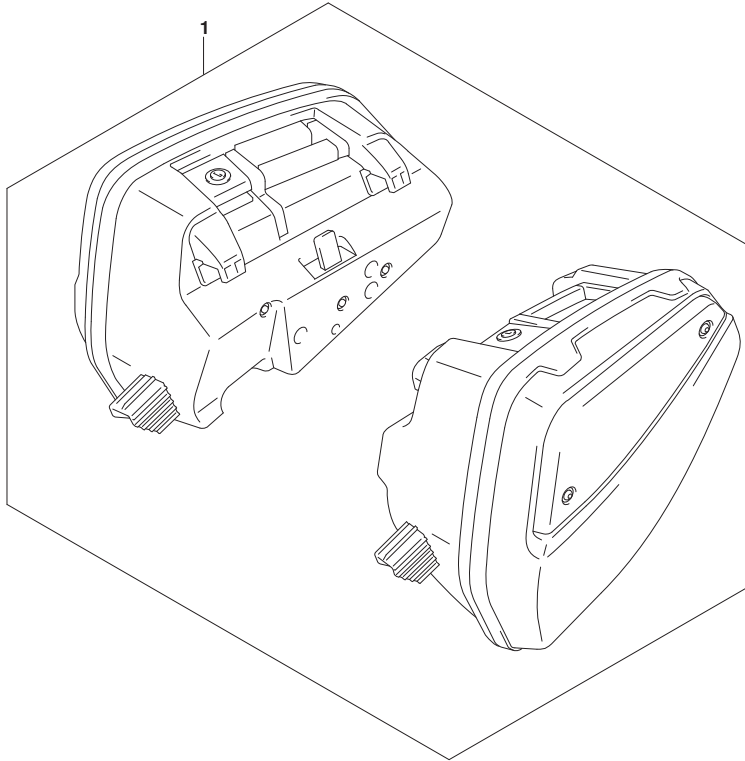
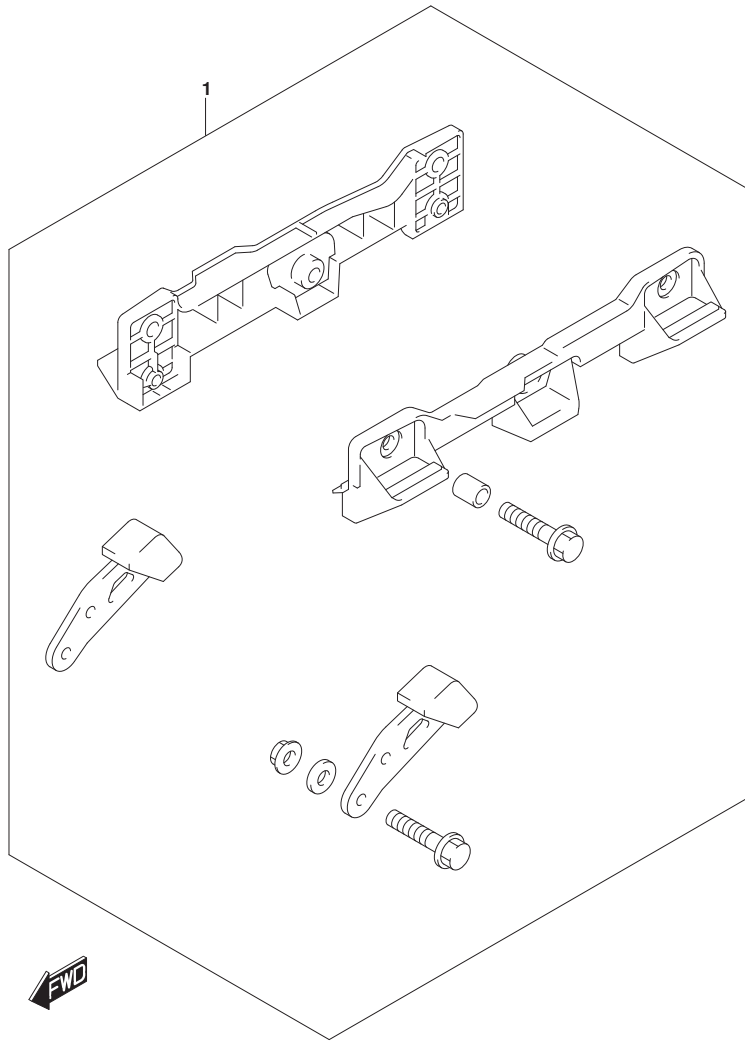


FIG.970F



**FIG.970F (1-H-7) OPTIONAL (SIDE CASE BRACKET SET)**

REF NO.	PART NO.	DESCRIPTION	Q'TY	REMARKS
1	93700-31820	BRACKET SET, SIDE CASE	1	

FIG.970G

**FIG.970G (1-H-8) OPTIONAL (TOP CASE SET)**

REF NO.	PART NO.	DESCRIPTION	Q'TY	REMARKS
1	93300-31822	CASE SET, TOP	1	

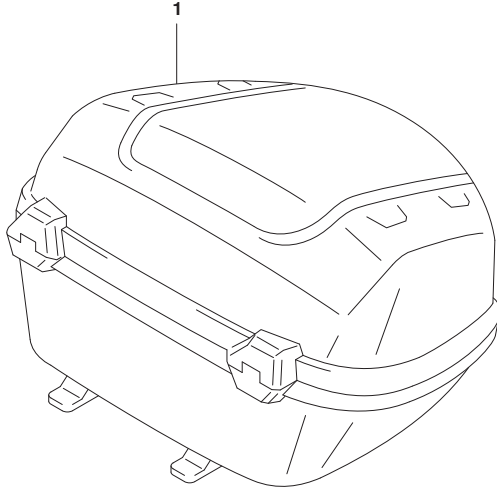


FIG.970H

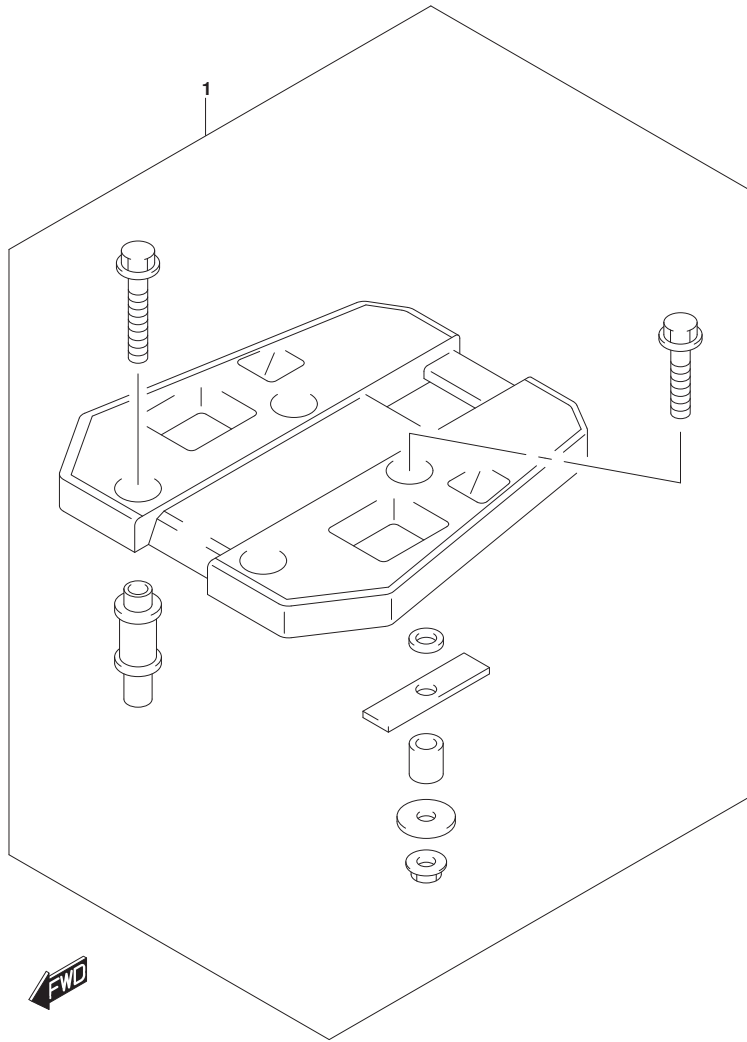


FIG.970H (1-H-9) OPTIONAL (TOP CASE BRACKET SET)

REF NO.	PART NO.	DESCRIPTION	Q'TY	REMARKS
1	93900-31820	PLATE SET, TOP CASE	1	

FIG.970J

**FIG.970J (1-H-10) OPTIONAL (LOW SEAT)**

REF NO.	PART NO.	DESCRIPTION	Q'TY	REMARKS
1	45100-28K51-BGP	SEAT ASSY (BLACK/GRAY)	1	

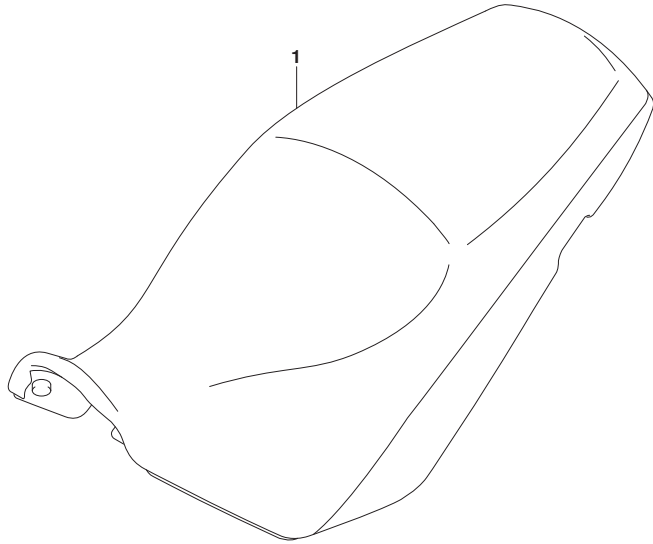
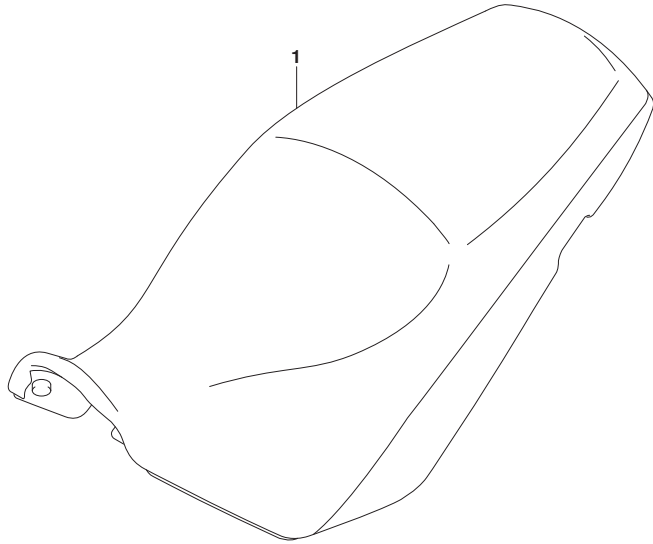


FIG.970K

**FIG.970K (1-H-11) OPTIONAL (HIGH SEAT)**

REF NO.	PART NO.	DESCRIPTION	Q'TY	REMARKS
1	45100-28K61-BGP	SEAT ASSY (BLACK/GRAY)	1	



PART NO.	FIG.NO.-REF.NO.	PART NO.	FIG.NO.-REF.NO.	PART NO.	FIG.NO.-REF.NO.	
10000		12164-46E10-0B0	120A-6-2	12892-05C00-220	126A-13-21	
		12164-46E10-0C0	120A-6-3	12911-18H00	126A-5	
		12164-46E10-0D0	120A-6-4	12912-20F00	126A-6	
		12220-44H20	120A-1	12921-44H00	126A-7	
		12229-44H10-0A0	120A-2-1	12931-17E01	126A-8	
	11101-18K00	104A-1	12229-44H10-0B0	120A-2-2	12932-32C00	126A-11
	11103-18K00	105A-1	12229-44H10-0C0	120A-2-3	12933-17E00	126A-9
	11117-44H00	104A-6	12600-06821	122A-3	13101-17G11	104A-12
		105A-6	12611-27G00	122A-1	13102-17G11	105A-12
	11141-20F00	101A-2	12710-11J00	126A-1	13150-28H10	189A-1
	104A-4	12720-44H00	126A-2	13268-48700	140A-3	
	105A-4	12730-11J00	126A-3	13269-33E00	140A-2	
11151-27G01	104A-24	12731-19F00	120A-11	13295-29901	140A-5	
11171-18K00	104A-16	12740-44H00	126A-4	13405-28K21	140A-1	
11172-18K00	105A-16	12760-19F01	127A-1	13575-29G01	140A-7	
11173-19F01	101A-3	12771-44H01	127A-2	13580-27G21	140A-6	
	104A-17	12782-19F01	127A-3	13601-11J00	140A-16	
	105A-17	12800-05830	126A-14	13602-06128	140A-18	
11182-35F10	104A-25	12811-17G01	127A-5	13602-29G01	140A-17	
	105A-24	12812-35C00	127A-6	13605-02F00	140A-8	
11191-27E00	101A-10	12830-27G00	127A-8	13606-47A00	140A-4	
	104A-20	12830-27G10	127A-11	13650-41F10	155A-15	
	105A-20	12831-39F00	127A-10	13650-49X00	187A-25	
11192-13E00	104A-21		127A-13	13655-41F10	155A-16	
	105A-21	12833-17G00	127A-14	13671-12C00	140A-22	
11211-44H00-0F0	107A-1	12837-24F10	127A-9	13681-06G40	140A-19	
11221-44H00-0F0	107A-2		127A-12	13683-28K01	140A-12	
11241-19F10	101A-4	12837-27G10	101A-8	13683-44H11	140A-13	
	107A-3		127A-15	13683-44H30	140A-20	
11242-19F00	101A-5	12891-47H00	126A-12	13685-04F10	140A-21	
	107A-4	12892-05C00-120	126A-13-1	13700-11J11	155A-1	
11301-27871	108A-1	12892-05C00-125	126A-13-2	13740-11J01	155A-2	
11323-19F00	108A-22	12892-05C00-130	126A-13-3	13746-06G00	155A-9	
11340-18K10	112A-1	12892-05C00-135	126A-13-4	13780-27G10	155A-8	
11343-44H01	112A-9	12892-05C00-140	126A-13-5	13788-11J00	155A-6	
11351-44H20	112A-15	12892-05C00-145	126A-13-6	13826-44H01	155A-7	
11361-28K00	112A-11	12892-05C00-150	126A-13-7	13827-40H01	104A-15	
11403-44820	101A-1	12892-05C00-155	126A-13-8		105A-15	
11482-44H00	101A-6	12892-05C00-160	126A-13-9	13850-11J00	155A-13	
	112A-4	12892-05C00-165	126A-13-10	13878-10G01	155A-11	
11483-19F00	101A-7	12892-05C00-170	126A-13-11	13881-27G11	155A-4	
	112A-16	12892-05C00-175	126A-13-12	13882-27G11	155A-5	
11971-25D00	112A-7	12892-05C00-180	126A-13-13	13891-27G01	155A-3	
11971-33210	112A-2	12892-05C00-185	126A-13-14	14150-27G10	163A-1	
12111-18K01-0F0	120A-7	12892-05C00-190	126A-13-15	14160-17G10	163A-2	
12140-10L00	120A-8	12892-05C00-195	126A-13-16	14181-22D01	101A-9	
12151-05A10	120A-9	12892-05C00-200	126A-13-17		163A-3	
12160-17G20	120A-3	12892-05C00-205	126A-13-18	14305-28K02-H01	163A-6	
12163-24F10	120A-4	12892-05C00-210	126A-13-19	14771-32E10	163A-7	
12164-46E10-0A0	120A-6-1	12892-05C00-215	126A-13-20	14780-28K00	163A-17	

PART NO.	FIG.NO.-REF.NO.	PART NO.	FIG.NO.-REF.NO.	PART NO.	FIG.NO.-REF.NO.
14784-28K00	163A-24	17712-40F00	185A-4	21441-29F30	201A-6
14795-10FA0	163A-20	17730-08J00	185A-14	21442-29F10	201A-5
15100-28K00	172A-1	17741-17G00	185A-10	21451-28C31	201A-7
15113-05H00	172A-2	17771-11J00	185A-12	21462-16501	201A-8
15113-17K00	172A-3	17781-17G00	185A-9	21471-17G00	201A-9
15113-35F00	172A-4	17800-11J00	185A-2	21472-17G00	201A-10
15113-48H00	172A-11	17851-11J00	187A-1	21482-41G10	201A-11
15114-17K00	172A-5	17852-44H20	187A-2	23110-44111	201A-15
15115-17K00	172A-6	17853-19F00	187A-6	23111-15501	201A-16
15116-17K00	172A-7	17854-44H00	187A-3	23121-44H00	201A-17
15121-28K00	172A-14	17856-44H00	187A-23	23122-44H00	201A-18
15122-17K00	172A-13	17880-44H00	187A-4	23123-41G00	201A-19
15201-07L00	172A-12	17890-06G20	187A-7	23125-11J00	201A-20
15310-17K00	172A-8	17900-27810	187A-13	23271-44H21	201A-21
15420-17K00	172A-9	17910-27G10	187A-10	24120-27G00	206A-1
15610-17K00	172A-10	17920-27G10	187A-16	24127-19F00	206A-2
15710-11J00	140A-9	17931-02FA0	187A-11		206A-3
15717-58B00	140A-10	17982-15H00	187A-14		206A-15
15722-29G00	140A-11	18117-52G10	140A-24		206A-16
15731-11J00	140A-14	18119-44H00	140A-25		206A-17
15732-11J00	140A-15	18213-17K00	163A-22	24130-44H40	206A-18
15810-28K00	172A-16	18461-11J00	189A-2	24221-20F10	206A-4
15820-28K00	172A-17	18471-11J00	189A-3	24231-20F10	206A-5
16321-19F00	170A-11	18510-29G80	189A-4	24251-20F02	206A-6
16331-19F00	170A-3	18511-29G00	189A-5	24252-19F00	206A-7
16400-20F00	170A-1	18531-06G10	189A-6	24252-38A10	206A-8
16438-19F00	108A-14	18560-31J00	427A-1	24261-20F00	206A-9
16440-17C20	170A-7	18561-28K00	427A-2	24311-44H00	206A-19
16461-44H00	178A-5	18562-28K00	427A-3	24321-44H20	206A-20
16471-44H00	178A-6	18563-28K00	427A-4	24331-44H00	206A-22
16510-07J00	178A-10	18564-28K00	427A-5	24332-24510	206A-23
16520-32E01	170A-8	18565-28K00	427A-6		206A-24
16523-17G00	170A-9	18566-28K00	427A-7	24341-44H00	206A-25
16591-02F00	178A-3	18571-31J00	427A-8	24351-44H10	206A-26
16600-44H00	178A-1	18590-18K00	155A-18	24361-44H00	206A-27
17400-44H01	180A-1	18595-04K01	155A-19	24741-21A00	212A-6
17411-44H00	180A-2	18711-11J00	189A-7	24751-19F10	206A-38
17415-20920	180A-3			24881-12C30	206A-39
17418-19F00	180A-10			24885-12C10	206A-40
17435-33400	180A-11			25211-42E20	212A-1
17451-17G00	120A-12			25221-42E20	212A-2
17461-44H00	180A-16			25231-42E20	212A-3
17461-48G00	180A-7			25310-19F00	212A-7
17470-02F11	180A-6			25312-42F01	212A-9
17491-19F40	180A-5			25350-35F00	212A-14
17662-02F11	187A-19	21100-44H00	120A-13	25355-35F01	212A-15
17663-17G00	187A-20	21200-44860	201A-1	25381-19F20	212A-10
17670-06G61	187A-21	21411-44101	201A-2	25411-26D01	212A-4
17710-11J00	185A-1	21413-17G10	201A-3	25411-44B00	212A-5
17711-08J00	185A-3	21414-29F00	201A-4	25510-19F10	212A-18



PART NO.	FIG.NO.-REF.NO.	PART NO.	FIG.NO.-REF.NO.	PART NO.	FIG.NO.-REF.NO.
25512-06G20	212A-19	33860-28K10	310A-10	37180-11J04	352A-3
25518-06L00	212A-25	33960-27G00	312A-24		352B-3
25520-27G01	212A-27	34100-28K00	330A-1	37200-28K00	355A-1
25525-27G00	212A-29	34124-31J00	330A-6	37400-28K00	355A-5
25526-47001	212A-28	34126-31J00	330A-3	37730-44H10	212A-39
	212A-31	34150-28K00	330A-2	37740-31D00	350A-19
25600-11J01	212A-30	34152-28K00	330A-4	37820-33D10	108A-33
25617-03F10	212A-33	34183-29F00	330A-5	37822-33D00	108A-34
25652-20C00	212A-32	34189-08J01	330A-8	37840-06G01	350A-21
25671-01011	212A-20		481A-18	38500-11J00	350A-24
27510-20F21	206A-43		481B-18	38610-06F01	334A-22
27531-19F10	206A-46	34810-28K00	172A-18	38850-31J00	350A-27
27600-06G40-120	206A-47	34815-28K00	172A-19	38852-28K01	350A-28
27620-06G40	206A-48	34938-14F00	533A-18	38860-76F01	350A-6
		35100-31J01	333A-1		350A-7
		35142-31J00	333A-4		350A-8
		35171-31J00	333A-2		
		35179-31J00	333A-3		
		35601-08JAO	334A-1		
		35602-08JAO	334A-5		
		35603-08JAO	334A-11		
		35604-08JAO	334A-15		
		35612-08JAO	334A-2		
			334A-16		
		35629-18G00	334A-9		
		35629-31F40	334A-19	41100-27GBO-YAP	401A-1
		35632-08JAO	334A-6	41200-28K01	401A-2
			334A-12	41911-06G90-YAP	401A-4
		35710-31J01	339A-1	41912-06G90-YAP	401A-5
		35910-41GB2	339A-4	41921-16G01	401A-9
		35912-41G01	339A-5	41922-19F20	401A-8
		35913-41G00	339A-6	41922-33E20	401A-10
		35917-41G00	339A-8	41923-16G00	401A-7
		35950-13K01	333A-10	41941-19F01	401A-11
		36610-28K00	350A-1	42100-06871	970A-1
		36618-31J00	310A-7	42310-06G60	407A-1
		36618-41G00	350A-10	42321-03FK0	407A-3
		36620-28K00	350A-9	42330-06G60	407A-6
		36654-06J01	350A-11	43111-27G00	407A-9
		36853-28K00	350A-12	43130-24A00	530A-13
		36856-28K00	350A-13		530B-11
		36990-06L00	355A-7		550A-22
		37100-28K00	352A-2		550B-26
			352B-2	43501-06G01	415A-4
		37101-28810	352A-1	43502-06G01	415A-10
		37101-28820	352B-1	43510-11J00-YAP	415A-1
		37146-13K00	352A-7	43520-11J00-YAP	415A-2
			352B-7	43551-06G00	415A-6
		37152-17K00	352A-4		415A-12
			352B-4	43552-06G00	415A-7

30000

40000

PART NO.	FIG.NO.-REF.NO.	PART NO.	FIG.NO.-REF.NO.	PART NO.	FIG.NO.-REF.NO.
		415A-13	44530-06G00	420A-9	48410-28K00
		415A-5		420B-10	481B-1
43576-07D01		415A-11	44541-28K00	420A-4	481A-2
		401A-13		420B-5	481B-2
43585-27G10		401A-15	44542-06G00	420A-8	481A-4
43585-28K00		401A-14		420B-9	481B-4
43595-27G00		401A-16	44543-10G00	310A-4	
43595-28K00		415A-19	44543-31J01	420A-19	
43610-34A60		415A-21		420B-20	
43612-33G30		415A-22	44545-06G00	420A-7	
43631-34A01		415A-20		420B-8	
43710-34A60		415A-23	44550-06G10	420A-5	
43810-28K00-YAP		415A-24		420B-6	
43820-28K00-YAP		420A-1-1	44560-11J00	420A-18	
44100-28K10-YKH		420A-1-2		420B-19	
44100-28K10-YVB		420A-1-3	44572-13G00	423A-3	51103-28K10-291
44100-28KHO-6UX		420B-1-3	44572-37H00	420A-27	521A-21
44100-28KHO-YKY		420B-1-4		420B-28	521A-10
44100-28KHO-YU1		420B-1-1	45100-28K01-BGP	505A-1	521A-30
44100-28KHO-YUH		420B-1-2	45100-28K51-BGP	970J-1	521A-18
44121-28K01		420A-29	45100-28K61-BGP	970K-1	521A-38
		420B-30	45148-20G90	505A-2	521A-3
		420A-22	45148-28K00	505A-5	521A-23
44130-28K00		420B-23	45212-18K00	505A-4	51131-28K00-291
		420A-24	45220-04K20	505A-7	521A-22
44140-28K00		420B-25	45241-17K10	460A-3	51146-11J00
		420A-12	45280-28K00	505A-8	521A-11
44154-11J00		420B-13	45288-14F00	505A-9	521A-19
		485A-3	45288-28K00	505A-12	521A-39
44176-31J00		485B-3	45289-28K00	505A-10	51148-31030
		485A-4	45516-01H00	420A-34	521A-40
44178-31J00		485B-4		420B-35	521A-8
		423A-1	46311-31J11	412A-1	521A-28
44190-28K00		420A-11	47110-28K10	445A-1	51166-38B40
44194-11J00		420B-12	47121-28K00	445A-2	51168-17C00
		420A-2		445A-4	521A-27
44200-17840		420B-3	47122-28K00	420A-35	521A-14
		420A-3		420B-36	521A-34
44244-11J00		420B-4	47123-28K00	445A-16	51173-27G00
		423A-2	47210-28K00	445A-3	521A-24
44261-22A00		420A-31	47411-31J10	445A-5	521A-16
44423-11J31		420B-32	47431-28K00	405A-1	521A-36
		420A-30	47510-28K00	445A-13	521A-13
44423-28K01		420B-31	47511-31J10	445A-6	521A-33
		420A-14	47612-44H00	483A-1	51186-17C00
44511-16G01		420B-15	47829-10F00	485A-5	521A-35
		420A-15		485B-5	521A-17
44512-16G00		420B-16	47913-31J00	445A-10	521A-37
		420A-16		485A-6	521A-9
44520-11J00		420B-17		485B-6	521A-29

50000

PART NO.	FIG.NO.-REF.NO.	PART NO.	FIG.NO.-REF.NO.	PART NO.	FIG.NO.-REF.NO.
51196-27G00	521A-12		550A-23-2	57562-41G01	467A-16
	521A-32	55413-22H00	530A-14-3		467B-18
51311-11J00-291	524A-9		550A-23-3	57621-33E01	467A-9
51321-10F00	524A-14	55610-28K01	533A-1		467B-11
51328-27E30	521A-41	55660-11J10	533A-2	57661-33E01	467A-17
	524A-8	55667-27G20	533A-8	58200-11J00	462A-11
51353-27G00	524A-11	55710-28K00	533A-11		462B-10
51354-06G00	524A-12	55731-28K00	533A-20	58273-31001	467B-19
51410-28K00	524A-1	56111-28K00-YUS	462A-1	58300-11J01	462A-15
51553-47H00	521A-6		462B-1		462B-14
	521A-26	56200-16843	462A-2	58300-11J11	462A-16
51556-38B00	521A-5	56200-32861	462B-2		462B-15
	521A-25	56211-06G40-291	524A-13	58631-11J10	462A-12
51631-33E00	524A-5	56272-06G00	462A-4		462B-11
51641-33E00	524A-6	56272-10G01	462A-7	58634-44H00	462A-13
51643-33E00	524A-7		462B-6		462B-12
51644-12C00	524A-2	56273-10G10	462A-8	59100-04851	535A-3
53110-28K00-291	460A-1		462B-7		535A-18
53121-28K00	460A-2	56276-17D00	462A-5	59100-33DQ0-999	535A-1
53121-33E00	460A-6	56500-04F30	462A-9	59102-33870	535A-13
53122-06G00	460A-4		462B-8	59112-44B00	535A-5
54111-11J00	530B-1	56600-04F30	462A-10		535A-20
54111-28K00-019	530A-1		462B-9	59115-33D00	535A-4
54162-28K00	530A-4	57100-28842	970B-1	59116-33D00	535A-8
	530B-9	57110-21H02	467A-1		535A-23
	550A-7		467B-1	59121-01A00	555A-12
	550B-7	57211-21H01	467A-7	59121-18410	535A-9
54711-08F10	530A-6		467B-7		535A-24
	530B-12	57300-06G20	467B-2	59122-46H00	555A-13
54750-31F00	530A-7	57300-27841-291	970C-1	59141-44B01	535A-11
	530B-13	57300-44G12	467A-2		535A-26
54751-10G01	530A-8	57341-27G02-291	472A-1	59146-21E10	555A-8
	530B-14	57346-14G00	462B-4	59150-33D01	535A-7
54841-28K00	530A-3	57431-06GA0	467B-3	59171-33D00	535A-14
	530B-4	57431-17H02	467A-3		535A-29
55110-28K00	530A-12	57431-45C01	467A-10	59172-33D00	535A-15
	530B-17	57441-45C01	467A-12		535A-30
55156-66310	535A-10		467B-14	59210-44G11	530A-10
	535A-25	57442-45C01	467A-13		530B-15
55311-11J10	530B-5-1		467B-15	59240-11J00	536A-1
55311-11J20	530B-5-2	57460-14J02	467A-5	59250-28K00	536A-2
55321-11J01	530B-6		467B-5	59260-06G10	536A-3
55322-11J01	530B-7	57465-17C00	467A-6	59260-11J00	536A-4
55326-11J00	530B-8		467B-6	59268-11J00	536A-5
	550B-5	57500-25D03	467A-8	59300-01820	535A-2
55411-11J00	530B-18	57500-25D22	467B-8		535A-17
	550B-27	57531-10D20	467B-12	59300-33DQ0-999	535A-16
55411-22H00	530A-14-1	57541-27G01-291	472A-2	59302-33850	535A-28
	550A-23-1	57560-05A00	467A-15	59303-14500	555A-6
55412-22H00	530A-14-2		467B-17	59305-36E00	555A-5

PART NO.	FIG.NO.-REF.NO.	PART NO.	FIG.NO.-REF.NO.	PART NO.	FIG.NO.-REF.NO.
59313-36500	535A-6	64610-35F40	550A-5	68319-06L40	496A-1-4
	535A-21		550B-15	68319-06L50	496A-1-5
59315-33D00	535A-19	64651-35F10	550A-6	68319-06L70	496A-1-6
59350-33D01	535A-22		550B-6	68319-06L80	496A-1-7
59450-28K00	536A-6	64711-03F00	550A-9	68319-06LP0	496A-1-8
59480-11J01	536A-7		550B-16	68332-28K01	496A-2
59540-11J00	536A-11	64712-03F01	541A-15	68386-14J01	496A-3
59560-11J01	536A-12	64713-03F01	541A-16	68391-06L00	412A-4
59600-10G50	537A-1	64733-06G00	550A-10	69100-04810	555A-2
59600-45870	537A-2		550B-17	69100-04820	555A-3
59664-32F00	537A-4	64741-10F00	550A-4	69100-06830	555A-15
59666-44300	537A-3		550B-14	69100-28K00-999	555A-1
59667-04700	558A-15	64751-27G00	550A-11	69115-06G00	555A-4
59667-49460	537A-5		550B-18	69132-06G00	555A-16
59668-41C00	537A-6	65110-28K00	550A-21	69133-06G00	555A-17
59669-05D00	558A-16		550B-25	69134-06G00	555A-18
59669-10G20	537A-7	65311-28K10	550B-2-1	69141-40F00	555A-7
59671-32F00	537A-8	65311-28K20	550B-2-2	69142-45000	535A-12
59675-02FA0	537A-9	65321-11J01	550B-3		535A-27
		65322-11J01	550B-4	69150-28K00	555A-14
		65710-28K00	533A-13	69182-04F00	555A-9
		65731-28K00	533A-15	69185-04F00	555A-10
		68110-28K30-B5U	420B-2-1	69186-04F00	555A-11
		68110-28K30-B5W	420B-2-2	69200-28K01	558A-24
		68110-28K30-CFV	420B-2-3	69211-06G10	550A-2
		68110-28K30-CFW	420B-2-4		550B-12
61000-27G31-YAP	541A-1	68111-47HA0	485A-7	69260-11J00	558A-31
61196-06G00	558A-29		485B-7	69266-27G00	558A-32
61196-27G10	558A-28	68181-11J00	483A-3	69400-11J01	558A-25
61211-06G00	541A-6	68191-11J00	483A-5	69600-06G00	558A-1
61214-19F10	541A-7	68241-11J01	420A-21	69600-34820	558A-2
61251-31E00	541A-5		420B-22	69641-06G00	558A-35
61273-27G01	541A-9	68275-28K70-B5U	485B-9-1	69670-03G00	558A-5
61310-16G00	541A-19	68275-28K70-B5W	485B-9-2	69672-00B20	558A-7
61410-03F00	541A-12	68275-28K70-CFV	485B-9-3	69674-00B20	558A-9
61421-33D01	541A-13	68275-28K70-CFY	485B-9-4	69686-34200	558A-8
61422-33D01	541A-14	68275-28K80-B5Z	485A-9-2	69689-04A00	558A-17
62100-28K01-019	543A-17	68275-28K80-CFT	485A-9-1	69689-49300	537A-10
62600-06872	543A-1	68275-28K80-CFU	485A-9-3	69691-00A00	558A-3
62621-19D00	543A-9	68281-47HA0	423A-4	69692-19A00	558A-4
	543A-14	68285-28K70-B5U	485B-11-1	69693-05A00	558A-6
62641-06G00	543A-13	68285-28K70-B5W	485B-11-2	69730-28K00	558A-21
62658-19F00	543A-5	68285-28K70-CFV	485B-11-3	69740-01D02	558A-14
62684-12C00	543A-6	68285-28K70-CFY	485B-11-4	69750-28K00	558A-19
62684-40A10	543A-12	68285-28K80-B5Z	485A-11-2		
63111-28K00	474A-1	68285-28K80-CFT	485A-11-1		
63112-28K00	474A-2	68285-28K80-CFU	485A-11-3		
64111-11J00	550B-1	68319-06L00	496A-1-1		
64111-28K00-019	550A-1	68319-06L20	496A-1-2		
64511-27G00	550A-18	68319-06L30	496A-1-3		
	550B-22				

60000

70000

PART NO.	FIG.NO.-REF.NO.	PART NO.	FIG.NO.-REF.NO.	PART NO.	FIG.NO.-REF.NO.
73415-70A00	481A-3 481A-10 481A-23 481B-3 481B-10 481B-23	94480-11J00-291 94491-11J00-291 94510-28K00 94520-11J00 94540-11J00 94612-31F00 94630-28K00	483A-4 483A-6 481A-19 481B-19 483A-12 483A-13 483A-14 474A-5 481A-9 481B-9	212A-36 467A-14 467B-16 301A-7 312A-15 108A-3 187A-17 104A-9 105A-9 185A-11	01547-0620B 01547-0625A 01547-0650A 01550-0610A 01550-0612A
90000		94633-31J00 95643-58J00 95700-14810 95700-31870 99000-69491 99011-28K55-01A 99011-28K55-01E 99011-28K55-01F 99011-28K55-01H 99011-28K55-01K 99011-28K55-029 99011-28K55-070	474A-8 330A-7 505A-11 352B-8 126A-15 496A-4-1 496A-4-2 496A-4-3 496A-4-4 496A-4-5 496A-4-6 496A-4-7	420A-20 420B-21 533A-3 350A-23 420A-17 420B-18 201A-31 108A-18 420A-6 420B-7 481A-21 481B-21 420A-10 420B-11	01550-0616A 01550-0620B 01550-0625A 01550-0812A 01550-0816A 01550-0820A 01550-0835A
92213-33G00 93100-31840 93300-31822 93700-31820 93900-31820 94400-11830-291 94402-28K00-YKV 94402-28K00-YKY 94411-28K00 94413-28K00 94414-28K00 94420-28K70-QKA 94420-28K70-YU1 94420-28K70-YUH 94420-28K70-YVB 94420-28K80-YKY 94420-28K80-YUH 94420-28K80-YVB 94430-28K70-QKA 94430-28K70-YU1 94430-28K70-YUH 94430-28K70-YVB 94430-28K80-YKY 94430-28K80-YUH 94430-28K80-YVB 94461-28K00 94462-28K00 94470-11J00-291 94479-35F00	312A-16 970E-1 970G-1 970F-1 970H-1 970D-1 481A-22 481B-22-1 481B-22-2 481A-8 481B-8 485A-1 485B-1 485A-2 485B-2 485B-8-4 485B-8-1 485B-8-2 485B-8-3 485A-8-1 485A-8-2 485A-8-3 485B-10-4 485B-10-1 485B-10-2 485B-10-3 485A-10-1 485A-10-2 485A-10-3 485A-12 485B-12 485A-13 485B-13 483A-2 474A-4	01421-0625A 01500-0612A 01547-0512A 01547-0610A 01547-0610B 01547-0612A 107A-7 206A-41 352A-6 352B-6 108A-24 558A-33 108A-23 462A-14 462B-13 533A-19 533A-21 536A-9 558A-18 558A-20 558A-34 187A-22 533A-14 536A-10 533A-12 189A-10	107A-7 206A-41 352A-6 352B-6 108A-24 558A-33 108A-23 462A-14 462B-13 533A-19 533A-21 536A-9 558A-18 558A-20 558A-34 187A-22 533A-14 536A-10 533A-12 189A-10	02122-0616B 02122-0680B 02142-0510A 02142-0516B 02142-0516B 02142-0520B 02142-0612B 02162-0610A 02162-0616A 03141-0516A 03211-0414B 03211-0416A 03511-0516A	212A-13 104A-14 105A-14 462B-3 558A-30 415A-8 415A-14 415A-9 415A-15 472A-4 312A-8 312A-7 312A-9 155A-10 334A-3 334A-7 334A-13 334A-17 339A-9 155A-17

PART NO.	FIG.NO.-REF.NO.	PART NO.	FIG.NO.-REF.NO.	PART NO.	FIG.NO.-REF.NO.
03541-0510B 03541-0512A	483A-10 481A-17 481B-17 485A-14 485B-14		201A-33 339A-11 350A-26 505A-6 505A-13		09103-12054 09106-05023 09106-06075 09106-06098 09106-06122
03541-0516A 03541-0516B 04111-2015A 04211-09149 04211-13189 04221-04089 07120-0610A 07120-0616A 07120-0640A 07120-0855A 07120-0880A 07130-0512A 07130-0612A 07130-0625A 07130-0635A 07130-0816A 07130-0825A 08113-6203A 08123-6203B 08123-6204B 08211-06141 08211-06181 08310-00067 08310-0006A 08313-1006B 08316-1005A 08316-1006A	483A-3 405A-4 483A-11 558A-13 112A-5 112A-17 104A-5 105A-5 107A-5 120A-5 212A-8 420A-26 420B-27 172A-15 104A-7 105A-8 108A-4 108A-5 303A-6 303A-6 530B-10 550A-8 550B-8 127A-4 170A-10 187A-9 127A-16 170A-2 303A-7 543A-21 163A-4 206A-37 530A-2 530B-3 550A-16 550B-10 212A-17 127A-7 212A-34 201A-32 472A-5 334A-10 334A-20 107A-6 140A-26	08316-1008A 08319-2106A 08319-2106B 08319-3110A 08319-3118A 08322-0105A 08322-0106A 08322-0106B 08322-0110B 08331-31109 08331-3112A 08331-3114A 08331-3118A 08331-31383 08331-4130A 08332-1104A 08332-1106B 08332-1108A 08361-3506A 09100-12084 09103-06103 09103-06266 09103-06530 09103-06536 09103-06537 09103-08365 09103-08512 09103-10033 09103-10143 09103-10205 09103-10338 09103-10347 09103-10379 09103-12004	163A-16 467A-4 467A-11 467B-4 467B-13 472A-6 108A-32 550A-19 550B-23 541A-8 333A-12 558A-12 467B-10 474A-7 481A-7 481B-7 170A-6 180A-15 212A-38 212A-26 407A-12 170A-13 112A-3 415A-27 415A-18 180A-9 301A-8 407A-7 104A-8 105A-7 104A-3 105A-3 112A-6 112A-18 112A-19 180A-13 163A-8 412A-2 543A-18 543A-19 108A-28 120A-14 108A-29 401A-3 303A-4	09106-07010 09106-07021 09106-08074 09106-08119 09106-08150 09106-08160 09106-08164 09106-08168 09106-08178 09106-08193 09111-06041 09111-06066 09111-06085 09111-06106 09111-10058 09116-06006 09116-06111 09116-06171 09116-06176 09116-06181 09116-08133 09118-06017 09118-06097 09119-05023 09125-05042 09127-06018 09128-06013 09134-06015 09136-05062 09139-05091 09139-06028 09139-06120 09139-06124 09139-06126 09139-06139 09139-06192	108A-30 212A-42 108A-15 112A-10 460A-5 104A-19 105A-19 104A-18 105A-18 415A-25 541A-17 415A-3 530A-11 530B-16 550A-3 550B-13 163A-12 401A-12 163A-5 401A-6 212A-16 533A-9 187A-12 405A-3 407A-2 483A-15 541A-10 533A-4 533A-5 474A-6 163A-9 350A-25 185A-8 333A-11 462A-17 462B-16 462A-3 312A-4 201A-22 333A-9 485A-15 485B-15 112A-12 445A-12 163A-18 481A-12 481B-12 483A-7 420A-13 420B-14

PART NO.	FIG.NO.-REF.NO.	PART NO.	FIG.NO.-REF.NO.	PART NO.	FIG.NO.-REF.NO.
09139-06211	558A-10		206A-30	09250-06015	112A-23
	445A-7	09167-25028	206A-45	09259-26011	524A-16
	481A-5	09168-06023	104A-10	09261-04001	112A-21
	481B-5		105A-10	09261-04002	170A-5
09139-06212	423A-5		108A-25	09261-04002	180A-18
09139-06225	541A-20		112A-20	09261-06002	170A-12
09139-08023	122A-4	09168-08008	180A-4	09262-10014	180A-8
09140-06025	212A-37	09168-08016	108A-19	09262-17046	206A-12
09140-20001	201A-12	09168-12002	108A-13	09262-20145	206A-13
09148-05038	481A-13		108A-27	09262-25006	212A-11
09148-05052	481B-13	09168-12017	187A-26	09262-25190	206A-34
	481A-24	09168-16002	108A-21	09262-32024	550A-14
	481B-24		112A-24		550B-20
	485A-16	09169-06062	112A-13	09263-10014	201A-25
09148-06020	485B-16	09169-08049	412A-3	09263-12027	201A-26
	481A-14	09169-25001	206A-31	09263-15003	201A-27
	481B-14	09180-06248	339A-10	09263-17053	541A-4
	543A-20	09180-06263	483A-8		543A-3
09159-10115	108A-31	09180-06283	541A-11	09263-17057	543A-4
09159-12056	543A-8	09180-06296	533A-6	09263-20115	206A-36
09159-18007	543A-11	09180-06310	185A-7	09263-20121	543A-2
	543A-16	09180-06346	467B-9	09263-25018	212A-12
	550B-19	09180-08152	163A-10	09263-25069	206A-21
	550B-19	09180-08156	163A-14	09263-25073	541A-3
09159-20004	206A-44	09180-12122	543A-10	09267-30010	524A-3
09160-05501	339A-2		543A-15		524A-4
09160-06077	339A-12	09180-17067	530A-9	09280-04004	104A-23
09160-06130	472A-3		530B-2		105A-23
09160-06131	462A-6	09180-20112	550A-13		108A-7
09160-08140	462B-5		550B-9		108A-9
	163A-13	09180-20118	541A-2		108A-16
	201A-23	09181-10158	170A-4	09280-13007	108A-10
	212A-35		180A-17	09280-15007	108A-11
09160-12036	303A-5	09181-14167	212A-22	09280-17003	112A-8
09160-12037	543A-7	09181-17195	206A-32	09280-18008	187A-8
09160-12061	407A-8	09181-20195	206A-33	09280-22001	180A-14
09160-14016	212A-21	09181-25160	178A-4	09280-22008	112A-22
09160-15045	201A-24	09181-25167	206A-11	09280-24010	206A-49
09160-18022	407A-10	09200-06037	558A-11	09280-26005	212A-40
09160-19025	550A-20	09206-08001	104A-2	09280-46007	104A-13
09160-20067	550B-24		105A-2		105A-13
	201A-13	09206-10016	104A-26	09280-55002	178A-2
	536A-13		105A-25	09280-63003	474A-9
	558A-27	09206-11007	108A-2	09282-10012	201A-28
09164-08015	524A-15	09206-12006	122A-2	09283-06008	201A-29
09167-20006	541A-18	09208-06008	415A-26	09283-14005	212A-23
	201A-14	09208-08010	415A-16	09283-36011	206A-35
	206A-28	09247-12006	108A-26	09285-10004	201A-30
	206A-10	09247-12011	108A-12	09285-28004	550A-17
09167-25021	206A-29	09248-16012	108A-20		550B-11

PART NO.	FIG.NO.-REF.NO.	PART NO.	FIG.NO.-REF.NO.	PART NO.	FIG.NO.-REF.NO.
09285-39001	550A-15	09401-16409	178A-8	09471-12140	339A-7
	550B-21	09401-17201	189A-9	09471-12186	334A-4
09289-04002	126A-10	09401-20405	155A-14		334A-8
09320-04011	163A-21	09401-24002	187A-27		334A-14
09320-06504	420A-28	09401-25001	187A-29		334A-18
	420B-29	09401-29001	187A-5	09471-12188	333A-5
09320-07014	333A-8	09401-30003	187A-28	09471-12216	333A-7
09320-08028	481A-11	09403-06324	536A-18	09471-12222	333A-6
	481A-20	09403-07344	536A-17	09481-03501	350A-2
	481B-11	09403-16412	536A-8	09481-10504	350A-3
	481B-20	09403-26402	350A-14	09481-15504	350A-4
09320-08066	163A-19	09404-06030	108A-36	09481-25504	350A-5
09320-09016	112A-14		350A-15	09481-30101	312A-3
	445A-8		420A-33	09482-00646	104A-11
	481A-6		420B-34		105A-11
	481A-15	09404-06429	108A-35	09493-26007	108A-17
	481B-6		187A-18	09493-28010	108A-6
	481B-15		312A-14	09493-36004	108A-8
	483A-9		334A-21	09493-80005	104A-22
09320-10061	533A-7		350A-16		105A-22
09320-10501	185A-5	09404-08422	212A-41	09800-21102	474A-10
09320-12048	163A-11	09407-10404	350A-22	09816-00059	474A-11
09320-12049	163A-15	09407-14403	350A-17	09816-00149	474A-12
09320-20011	445A-11	09407-14407	163A-23	09817-00035	474A-13
09321-08006	505A-3		352A-5	09817-00037	474A-14
09321-10001	445A-14		352B-5	09817-00039	474A-15
09329-18001	185A-6		355A-4		
	420A-23		533A-16		
	420A-25	09407-17403	312A-12		
	420B-24	09407-18402	312A-13		
	420B-26		350A-18		
09352-35654-320	180A-19	09408-00266	533A-17		
09360-10062	536A-14	09408-00267	178A-9		
	536A-15	09409-06314	423A-6		
	558A-26		481A-16		
09360-10064	536A-16		481B-16		
09367-06009	427A-9	09409-06322-5PK	185A-13		
09367-08005	420A-32	09409-06328	445A-15		
	420B-33	09409-08308	533A-10		
09380-25012	206A-14	09409-10313	445A-9		
09381-20004	120A-10	09420-04008	303A-8		
09401-08411	187A-15	09440-17009	212A-24		
09401-10410	140A-23	09443-06012	350A-20		
09401-11413	427A-10	09443-14058	407A-4		
09401-12404	558A-23	09443-19011	407A-5		
09401-12414	187A-24	09443-19023	970A-2		
09401-13417	558A-22	09443-31001	970A-3		
09401-14301	155A-12	09448-18022	415A-17		
09401-15101	189A-8	09448-41005	407A-11		
09401-16407	178A-7	09462-00007	310A-5		

## SUZUKI **DL650A/XAM2** PARTS CATALOGUE

---

SUZUKI MOTOR CORPORATION All rights reserved

No part of this document may be reproduced or transmitted in any form or by any means, electronic or mechanical, for any purpose, without the express written permission of Suzuki Motor Corporation.

SUZUKI MOTOR CORPORATION

Service Material Development Group, Automobile & Motorcycle Service Engineering Dept.  
300 Takatsuka, Minami, Hamamatsu, Japan

**SUZUKI MOTOR CORPORATION**

PRINTED IN JAPAN

9900B-31820-000