

SUZUKI
PARTS CATALOGUE

GSX-S 150

GSX-S150RFX



GSX-S150RFXM2_P08 P08

2022-3

PREFACE

When it becomes necessary to replace parts on SUZUKI MOTORCYCLES, always use SUZUKI GENUINE PARTS which have passed a strict inspection which guarantees quality and performance.

This parts catalogue covers the list of all service parts for SUZUKI GSX-S150RFXM1.

INSTRUCTIONS FOR QUOTING THE CATALOGUE

1. DIMENSIONS
Dimensions of the parts in this catalogue are indicated in unit millimeters.

2. ABBREVIATIONS

Abbreviations used in this catalogue are as follows:

AR : As required NT : Number of teeth
 ASSY : Assembly OPT : Optional
 E.NO. : Engine number OS : Over size
 F.NO. : Frame number STD : Standard
 D : Diameter of material T : Thickness
 ID : Inside diameter US : Under size
 OD : Outside diameter W : Width
 L : Length
 LH : Left hand side
 RH : Right hand side
 ~100045 : Up to F. NO. A100-100045
 100046~ : From F. NO. A100-100046
 12 x 34 x 5.6.....: Figures in the description column
 | | | show the dimensions of parts.
 ID OD T(or W, L)

→12345-56781 (Parts No.) : indicates that the parts number was changed to 12345-56781 and the new parts are interchangeable with the former ones but the former ones are not interchangeable with new ones.

←12345-56781 (Parts No.) : indicates that the former and new parts are interchangeable with each other and both are usable.

3. INNER PARTS OF ASSEMBLY

Part name with a dot (.) in front as shown in the description column indicates the component of the assembly also available individually.

4. MODIFICATION NOTICE

A parts bulletin will be sent to you on all occasions when changes in parts occur, including interchangeable modifications between new parts and old ones.

5. NOTE

5-1. There are some different parts from those of production models among spare parts for the administrative reasons and common use of them with other models.

5-2. In respect of rubber hoses and vinyl tubes, please be sure to use them by cutting off according to the length mentioned on parts catalogue or what is actually required on the vehicle.

5-3. Note that the drawings on the illustration page are for ready reference of spare parts number, not to be used as an assembly manual. When assembling, use "SUZUKI SERVICE MANUAL".

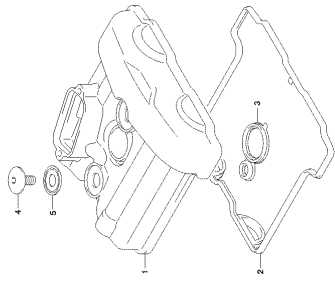
6. SPECIFICATION CODE

This catalogue contains the parts for the model designed for the following spec. code : P08.

7. SERIAL FRAME NUMBER

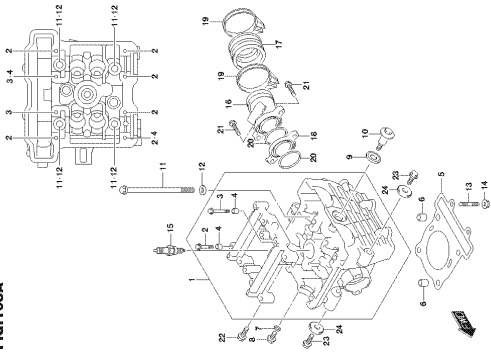
GSX-S150RFXM1 : PRLDL22HZNO100001~

FIG. 102A



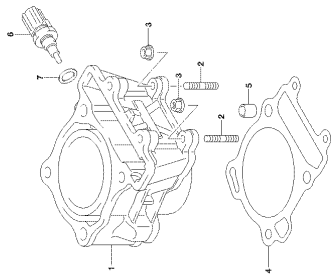
820-518700M1_P09_110A
CRANKCASE COVER

FIG. 103A



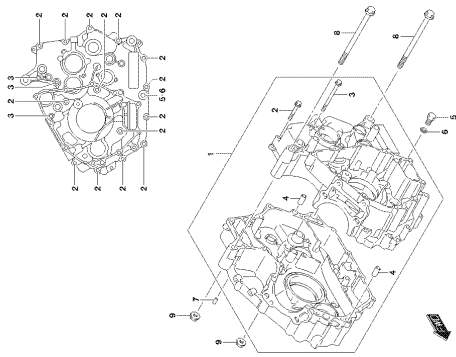
820-518700M1_P09_110A
CYLINDER HEAD

FIG. 107A



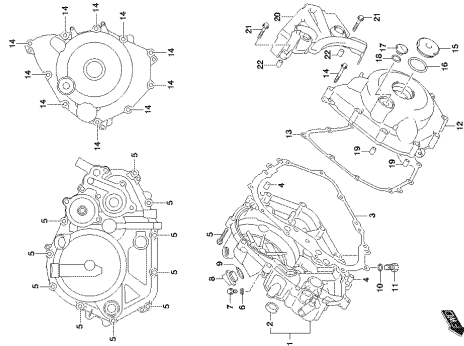
820-518700M1_P09_110A
GASKET

FIG. 108A



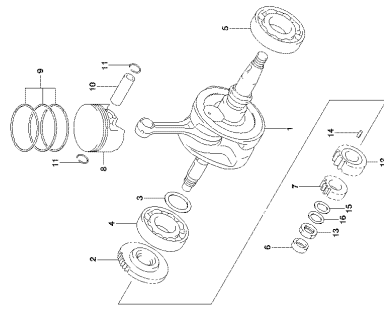
820-518700M1_P09_110A
CYLINDER HEAD

FIG. 112A



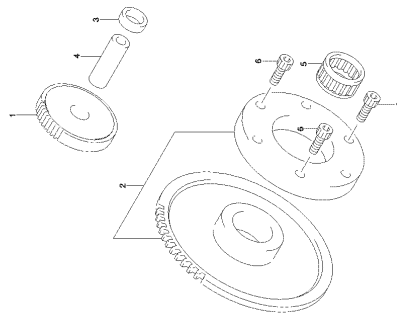
820-518700M1_P09_110A
CRANKCASE COVER

FIG. 120A



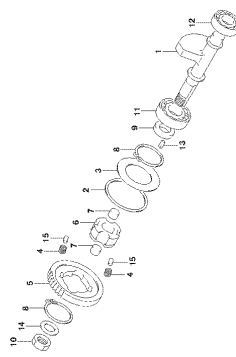
820-518700M1_P09_110A
CRANKSHAFT

FIG. 122A



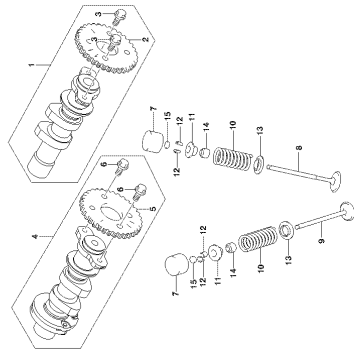
820-518700M1_P09_120A
STARTER CLUTCH

FIG. 124A



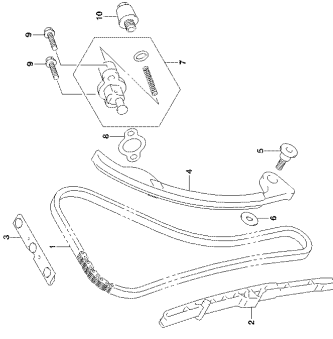
820-518700M1_P09_124A
CRANKSHAFT

FIG. 126A



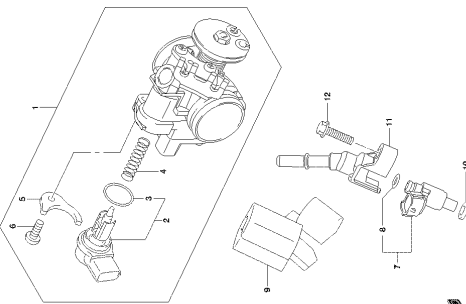
SB5-SI5P001M1_PG_126A
CARBURETOR

FIG. 127A



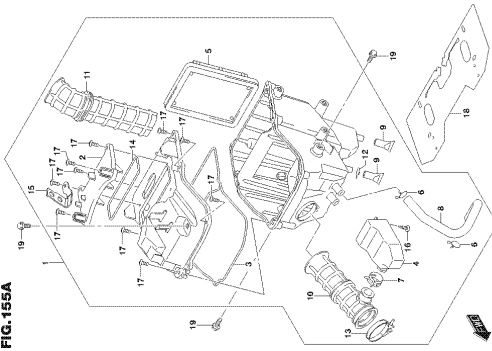
SB5-SI5P001M1_PG_127A
CARBURETOR

FIG. 140A



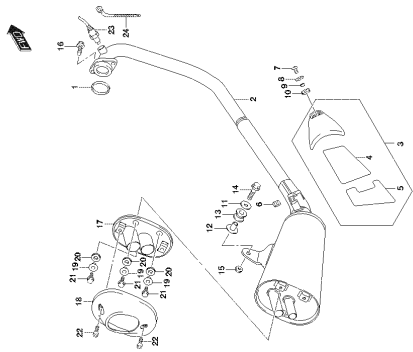
SB5-SI5P001M1_PG_140A
FUEL FILTER

FIG. 155A



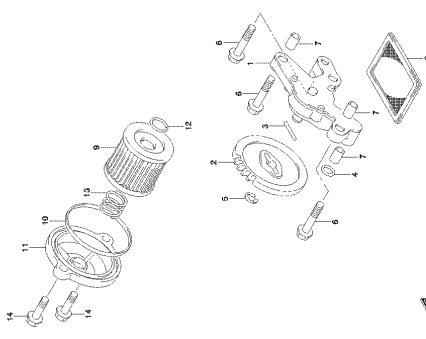
SB5-SI5P001M1_PG_155A
FUEL PUMP

FIG. 163A



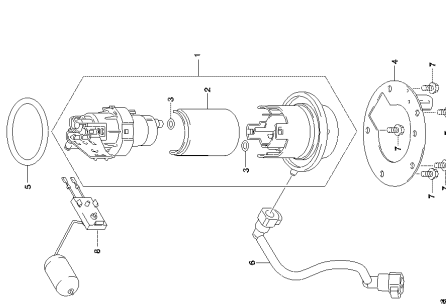
SB5-SI5P001M1_PG_163A
MUTTER

FIG. 170A



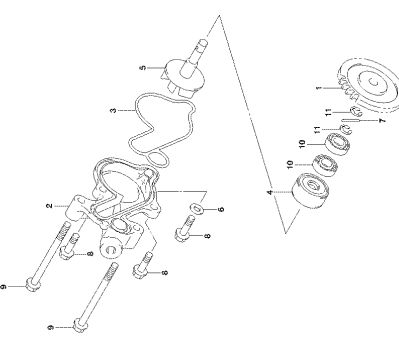
SB5-SI5P001M1_PG_170A
OIL PUMP

FIG. 172A



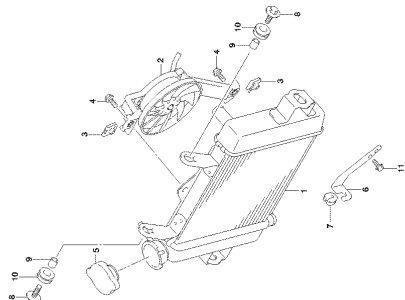
SB5-SI5P001M1_PG_172A
FUEL PUMP

FIG. 180A



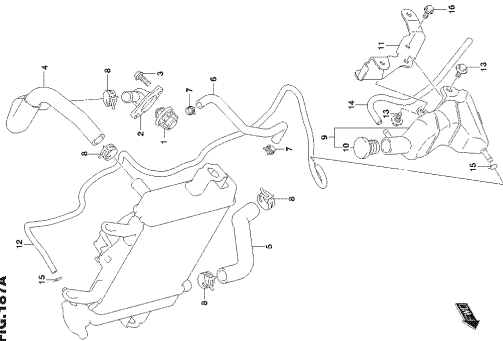
SB5-SI5P001M1_PG_180A
WATER PUMP

FIG. 185A



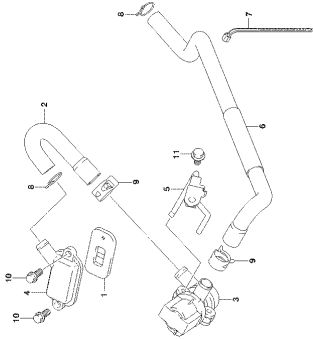
SB-SEPFORM_L_PG_185A
MOTOR

FIG. 187A



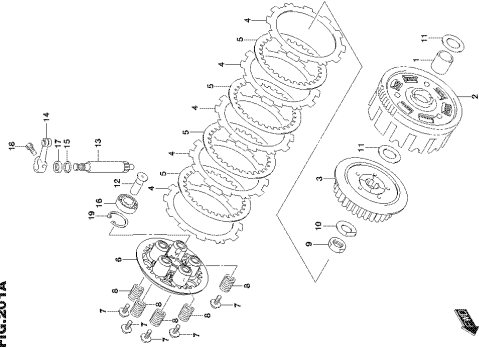
SB-SEPFORM_L_PG_187A
MOTOR/ROTOR

FIG. 189A



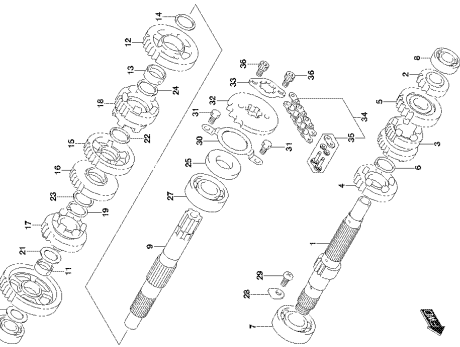
SB-SEPFORM_L_PG_189A
MOTOR

FIG. 201A



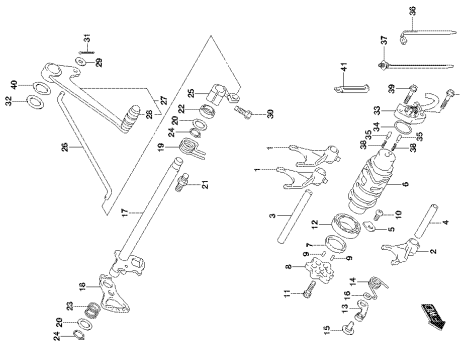
SB-SEPFORM_L_PG_201A
GUYON

FIG. 206A



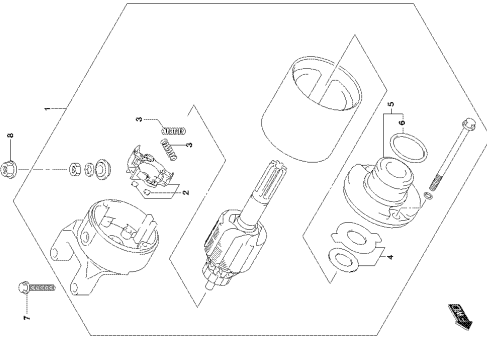
SB-SEPFORM_L_PG_206A
TRANSMISSION

FIG. 212A



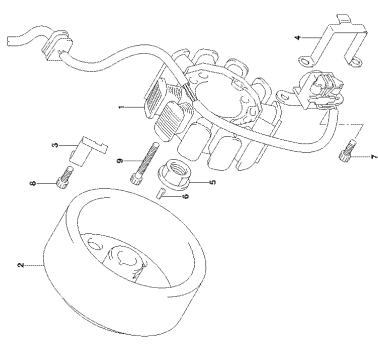
SB-SEPFORM_L_PG_212A
GEAR SHIFTING

FIG. 301A



SB-SEPFORM_L_PG_301A
STARTING MOTOR

FIG. 303A



SB-SEPFORM_L_PG_303A
MOTOR

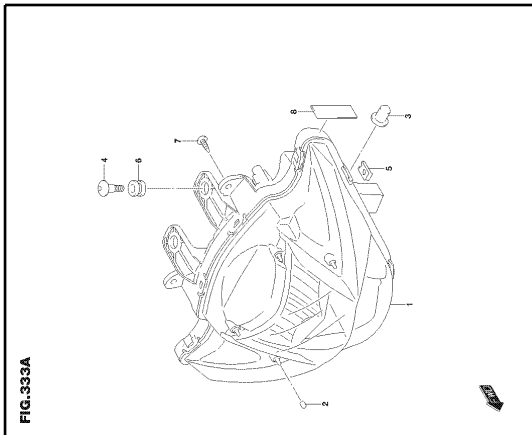


FIG. 333A

SB5-315P001M1_PPG_333A
HEADLAMP

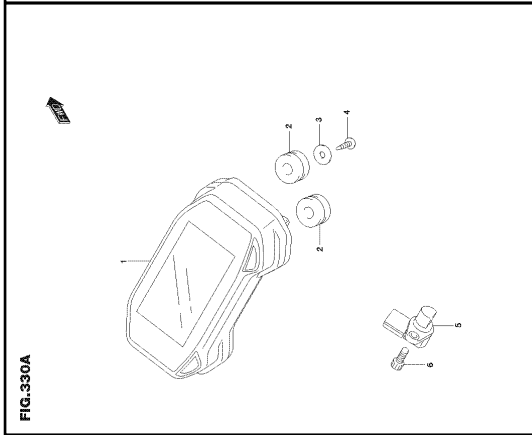


FIG. 330A

SB5-315P001M1_PPG_330A
TAIL LIGHT SET

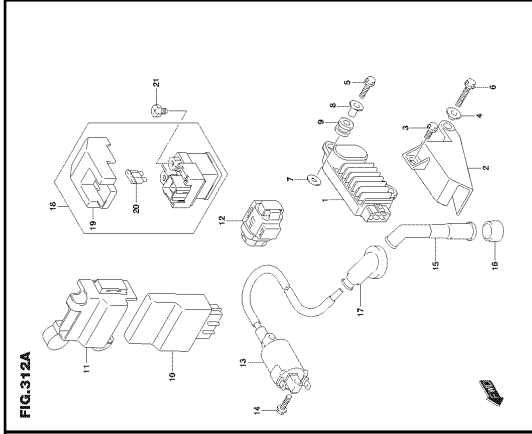


FIG. 312A

SB5-315P001M1_PPG_312A
ELECTRICAL

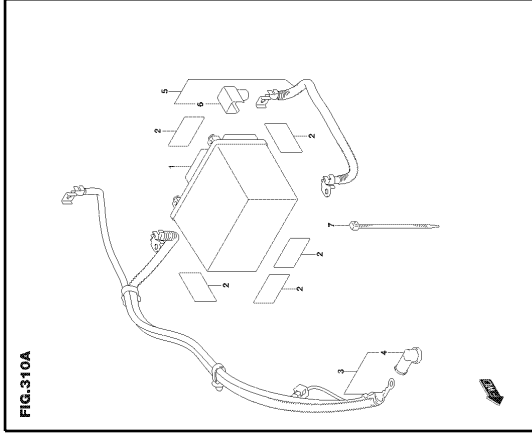


FIG. 310A

SB5-315P001M1_PPG_310A
BATTERY

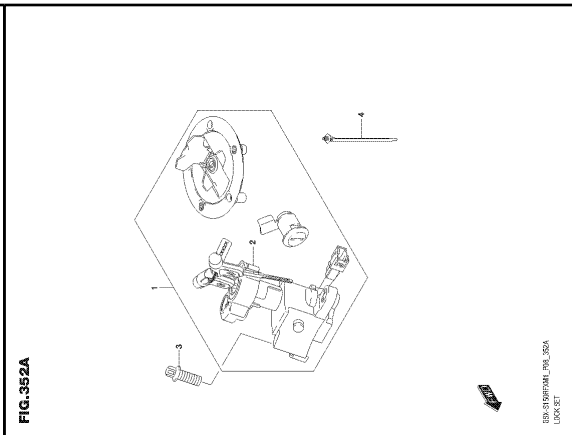


FIG. 352A

SB5-315P001M1_PPG_352A
LOCK SET

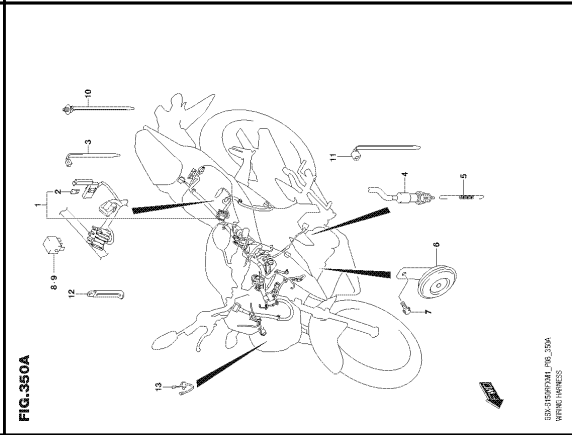


FIG. 350A

SB5-315P001M1_PPG_350A
WIRING HARNESS

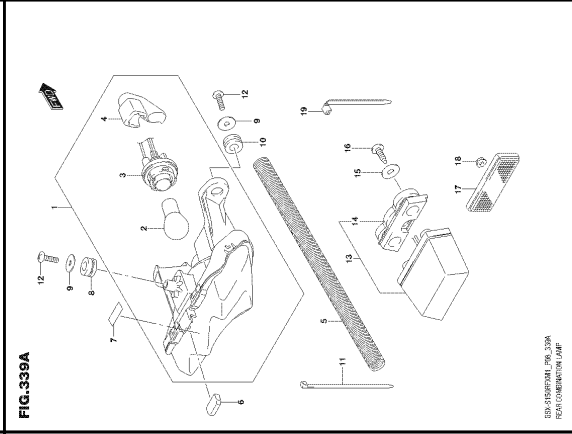


FIG. 339A

SB5-315P001M1_PPG_339A
REAR COMBINATION LAMP

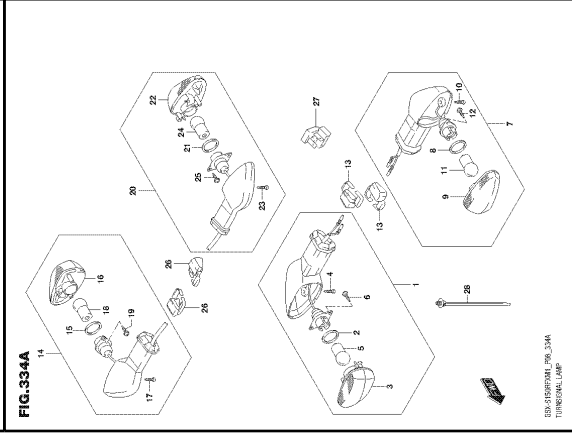
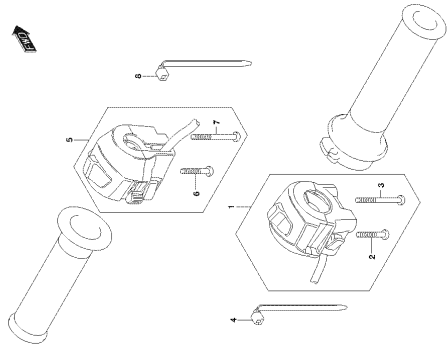


FIG. 334A

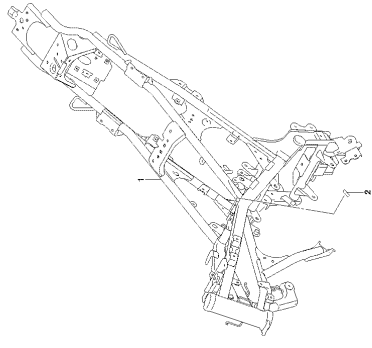
SB5-315P001M1_PPG_334A
TURN SIGNAL LAMP

FIG. 355A



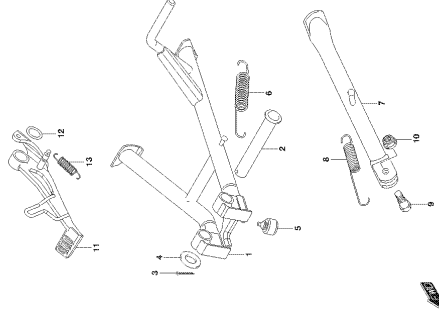
SBS-SH50PM1L_PPG_355A
FUEL TANK

FIG. 401A



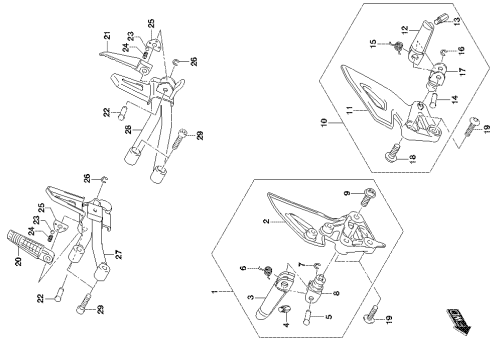
SBS-SH50PM1L_PPG_401A
FRAME

FIG. 407A



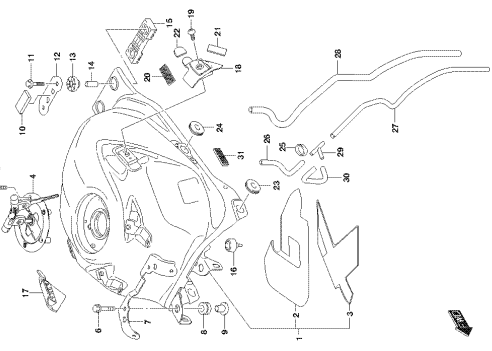
SBS-SH50PM1L_PPG_407A
BRACKET

FIG. 415A



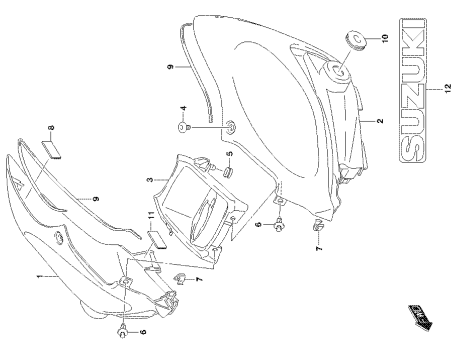
SBS-SH50PM1L_PPG_415A
FUEL TANK COVER

FIG. 420A



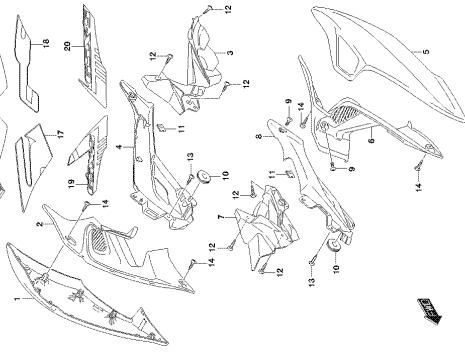
SBS-SH50PM1L_PPG_420A
FUEL TANK

FIG. 423A



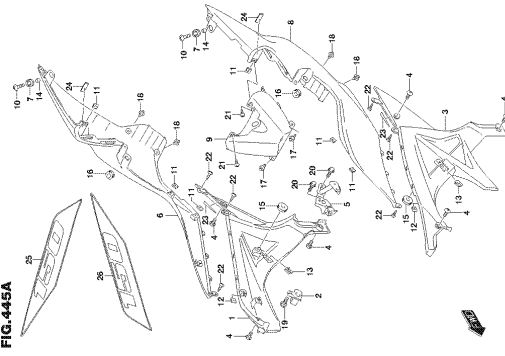
SBS-SH50PM1L_PPG_423A
FUEL TANK COVER

FIG. 424A



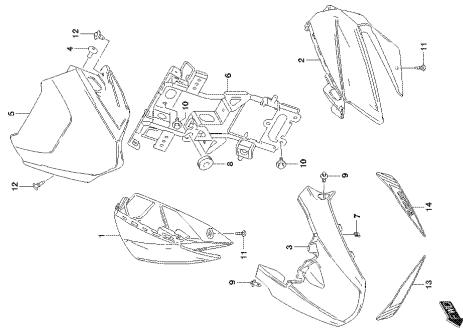
SBS-SH50PM1L_PPG_424A
FUEL TANK COVER

FIG. 445A



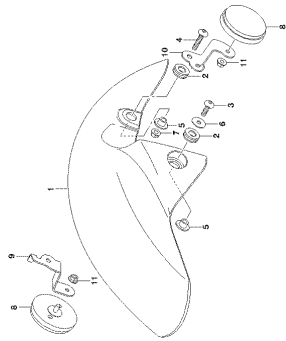
SBS-SH50PM1L_PPG_445A
FRAME COVER

FIG.451A



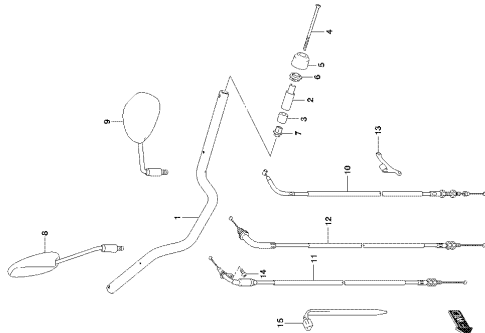
SEB-SI8PFORM_L_PPG_451A
FOAM/SEAT FOSSING

FIG.460A



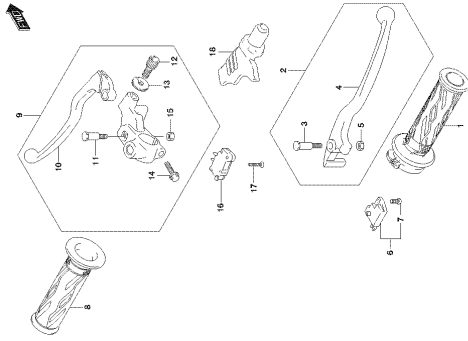
SEB-SI8PFORM_L_PPG_460A
FRONT FENDER

FIG.462A



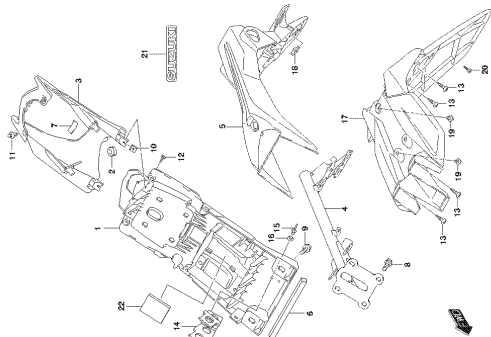
SEB-SI8PFORM_L_PPG_462A
HANDLEBARS

FIG.467A



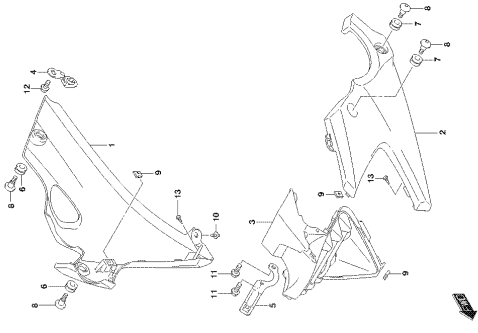
SEB-SI8PFORM_L_PPG_467A
FRONT FORK

FIG.474A



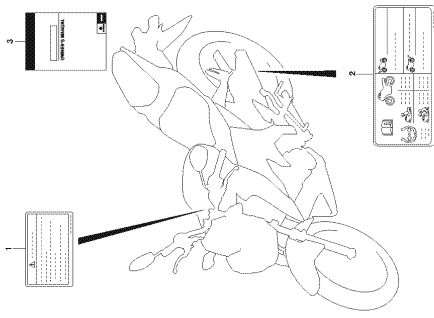
SEB-SI8PFORM_L_PPG_474A
FRONT FAIRING

FIG.483A



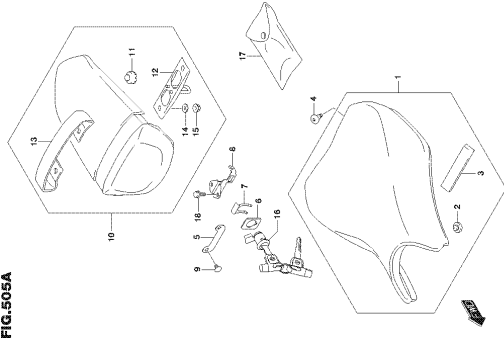
SEB-SI8PFORM_L_PPG_483A
UNDER CONSOLE

FIG.496A



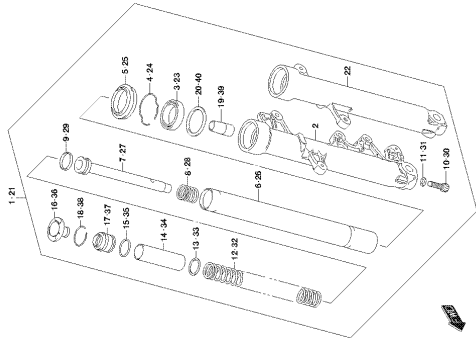
SEB-SI8PFORM_L_PPG_496A
LEVEL

FIG.505A



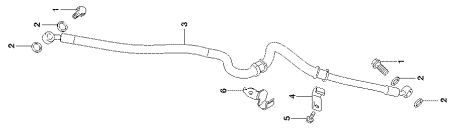
SEB-SI8PFORM_L_PPG_505A
SEAT

FIG.521A



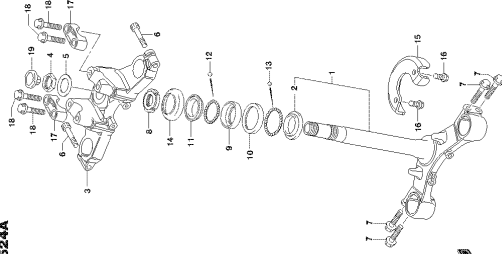
SB5-SHIFROM L.PM_521A
FRONT FORK/SHOCK

FIG.536A



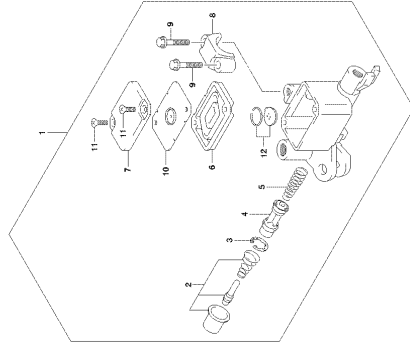
SB5-SHIFROM L.PM_536A
FRONT BRAKE LINE

FIG.524A



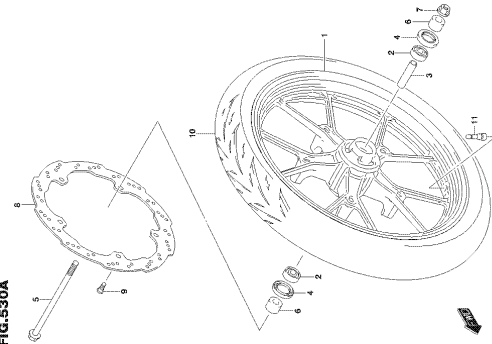
SB5-SHIFROM L.PM_524A
SECOND SHOCK

FIG.537A



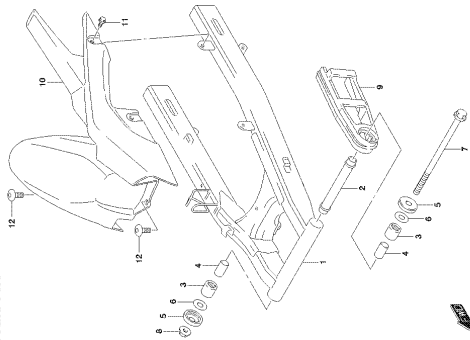
SB5-SHIFROM L.PM_537A
FRONT MASTER CYLINDER

FIG.530A



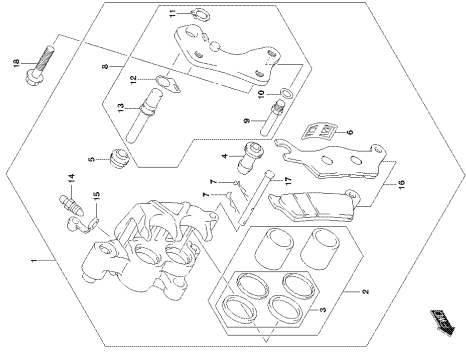
SB5-SHIFROM L.PM_530A
FRONT WHEEL

FIG.541A



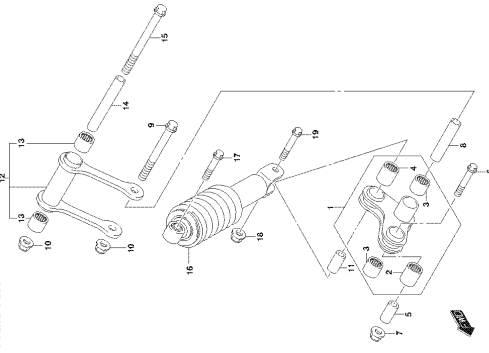
SB5-SHIFROM L.PM_541A
REAR SWINGARM

FIG.535A



SB5-SHIFROM L.PM_535A
FRONT DISC/SHOCK

FIG.543A



SB5-SHIFROM L.PM_543A
REAR CUSHION LEVER

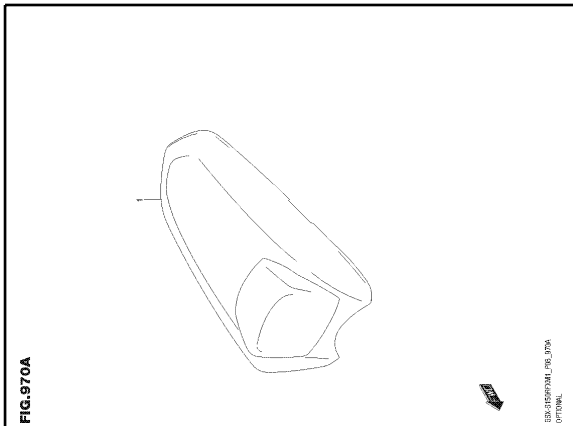
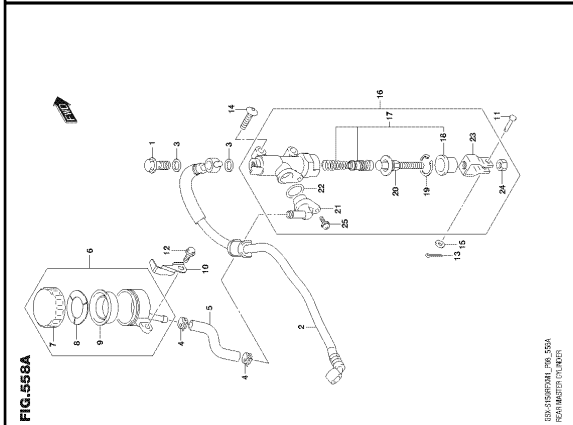
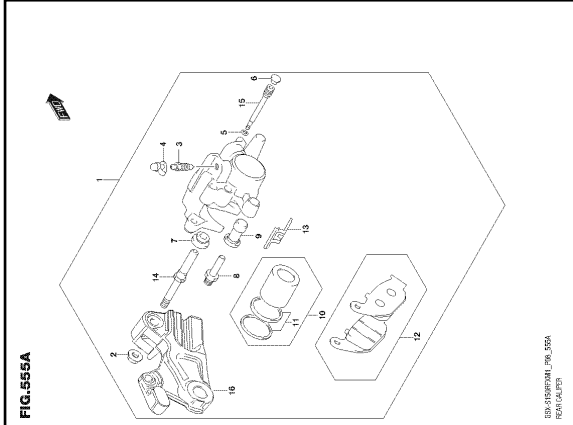
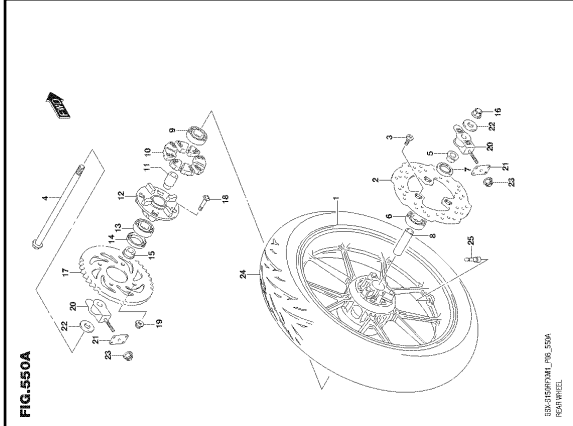
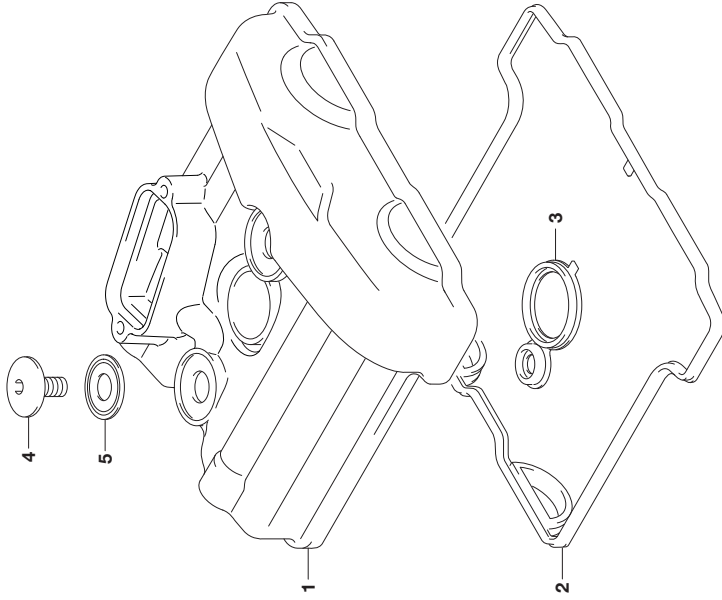


FIG. 102A

FIG. 102A (1-B-2) CYLINDER HEAD COVER



REF NO.	PART NO.	DESCRIPTION	QTY	REMARKS
1	11171-23K00-000	COVER,CYLINDER HEAD	1	
2	11173-12K00-000	GASKET,CYL HEAD COVER NO.1	1	
3	11178-12K00-000	GASKET,CYL HEAD COVER NO.2	1	
4	09106-07025-000	BOLT,CYL HEAD COVER (7X12)	2	
5	11191-27E70-000	WASHER,HEAD COVER BOLT (10.6X2 5.5X1.6)	2	



FIG. 103A

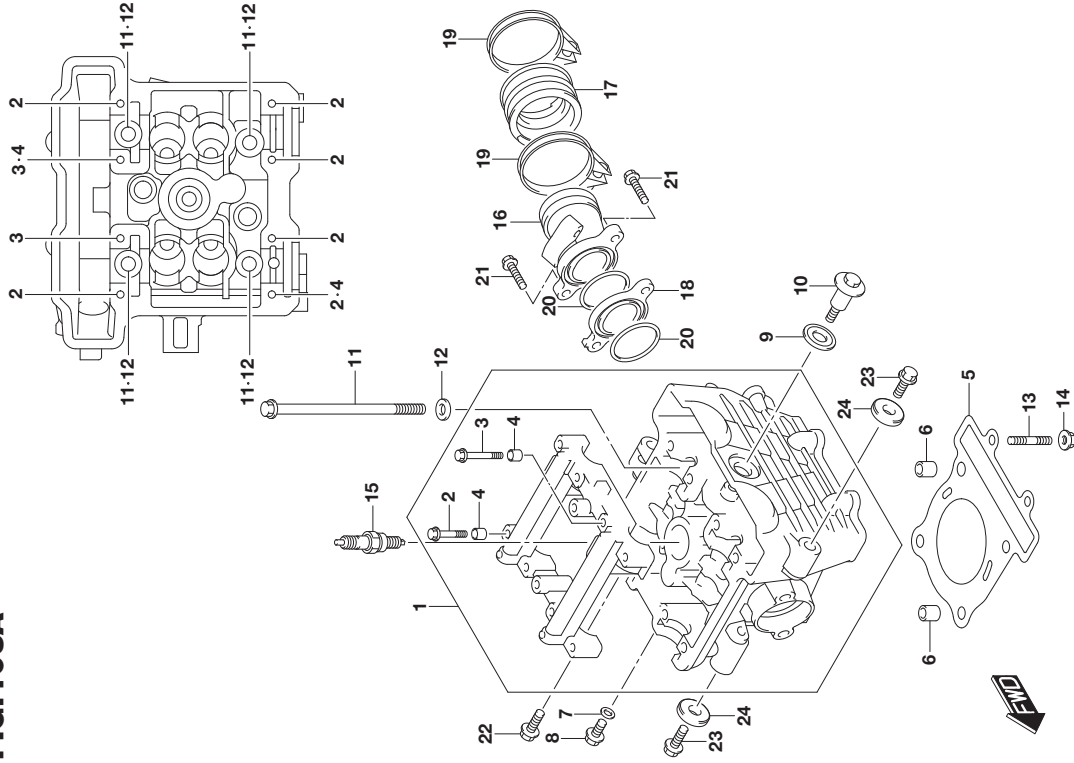


FIG. 103A (1-B-3) CYLINDER HEAD

REF. NO.	PART NO.	DESCRIPTION	QTY	REMARKS
1	11100-23K60-000	HEAD ASSY,CYLINDER	1	
2	09103-06132-000	.BOLT (6X41)	6	
3	09103-06165-000	.BOLT (6X45)	2	
4	09206-08001-000	.PIN (6.2X8X11)	2	
5	11141-12K01-000	GASKET,CYLINDER HEAD	1	
6	04211-11129-000	PIN	2	
7	09168-06004-000	GASKET (6.2X11X1.2)	1	
8	01550-0612A-000	BOLT	1	
9	11191-27E70-000	WASHER,HEAD COVER BOLT (10.6X2 5.5X1.6)	1	
10	09119-06120-000	BOLT,CYL HEAD COVER (6X21.7)	1	
11	11117-12K10-000	BOLT,CYLINDER HEAD (L139)	4	
12	09160-08092-000	WASHER (8.5X16X2.6)	4	
13	01421-0625A-000	BOLT,STUD	2	
14	08316-1006A-000	NUT	2	
15-1	09482-00646-000	SPARK PLUG (MR8E-9)	1	
15-2	09482-00659-000	SPARK PLUG (U24EPR-N9)	1	
16	13111-12K01-000	PIPE,INTAKE	1	
17	13121-12K00-000	PIPE,INTAKE NO.2	1	
18	13128-12K00-000	INSULATOR,INTAKE PIPE	1	
19	13170-12K00-000	CLAMP,INTAKE PIPE	2	
20	09280-35009-000	O-RING	2	
21	01547-0625A-000	BOLT	2	
22	09103-08555-000	BOLT (8X35)	1	
23	09103-10471-000	BOLT,ENG MTG (10X40)	2	
24	11611-23K00-000	SPACER (10X28X6)	2	

FIG.107A

FIG.107A (1-B-4) CYLINDER

REF.NO.	PART NO.	DESCRIPTION	QTY	REMARKS
1	11211-12K01-0F0	CYLINDER	1	
2	01421-0620A-000	BOLT,STUD	2	
3	08316-1006A-000	NUT	2	
4	11241-12K00-000	GASKET,CYLINDER	1	
5	04211-11129-000	PIN	2	
6	13650-49X00-000	SENSOR,TEMP	1	
7	09168-12017-000	GASKET (12X17X1)	1	

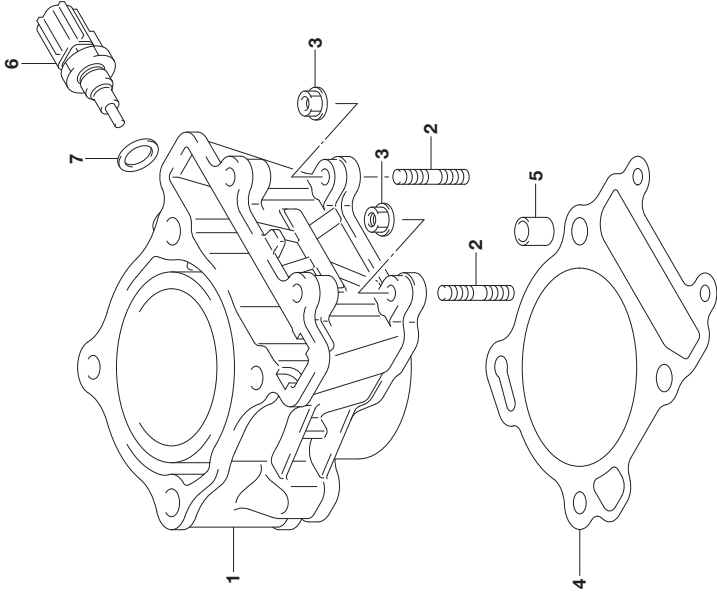
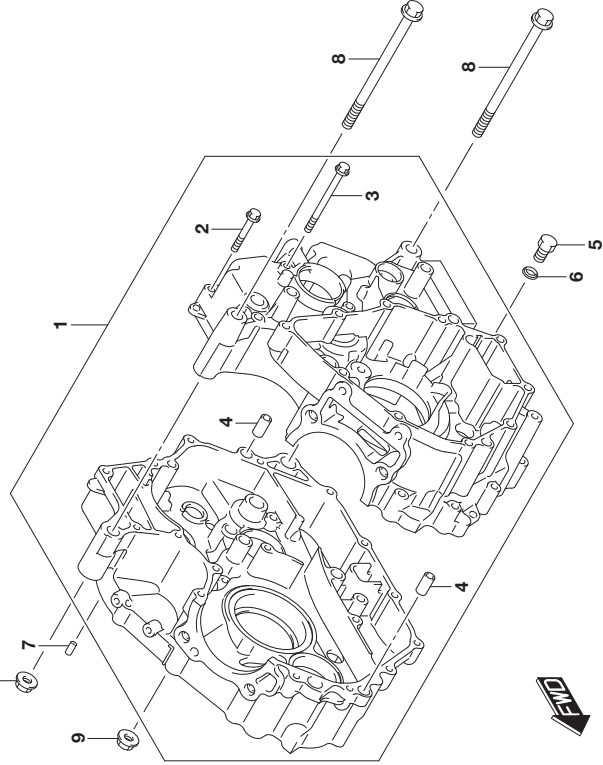
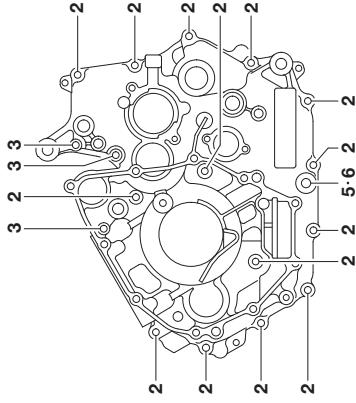


FIG.108A

FIG.108A (1-B-5) CRANKCASE



REF NO.	PART NO.	DESCRIPTION	QTY	REMARKS
1	11300-12K00-000	CRANKCASE ASSY	1	
2	01547-0640A-000	.BOLT	14	
3	01547-0675A-000	.BOLT	3	
4	09206-10014-000	.PIN (6.4X10X20)	2	
5	01550-1016A-000	BOLT	1	
6	09168-10L02-000	GASKET,OIL DRAIN (NA)	1	
7	11313-25G00-000	JET,TRIM OIL GALLERY	1	
8	09103-10723-000	BOLT (L:140)	2	
9	08319-3110A-000	NUT	2	

FIG.112A

FIG.112A (1-B-6) CRANKCASE COVER

REF.NO.	PART NO.	DESCRIPTION	QTY	REMARKS
1	11340-12K30-000	COVER,CLUTCH	1	
2	11971-45010-000	.LENS,OIL LEVEL CHECK	1	
3	11482-12K00-000	GASKET,CLUTCH COVER	1	
4	09206-08008-000	PIN (6.3X8X12)	2	
5	01547-0630A-000	BOLT	10	
6	09168-06018-000	GASKET (6.2X13X1.2)	1	
7	01547-0612A-000	BOLT	1	
8	11342-25G00-000	PLUG,ENGINE OIL FILLER	1	
9	09280-17003-000	O RING (D:3.1,ID:16.8)	1	
10	09168-10L02-000	GASKET,OIL DRAIN (NA)	1	
11	01500-1016A-000	BOLT	1	
12	11351-12K20-000	COVER,MAGNETO	1	
13	11483-12K00-000	GASKET,MAGNETO COVER	1	
14	01547-0640A-000	BOLT	10	
15	09259-36031-000	PLUG	1	
16	09280-33004-000	O-RING (D:3.1,ID:32.7)	1	
17	11352-22J00-000	PLUG, TOP	1	
18	09280-14003-000	O RING (D:2.4,ID:13.8)	1	
19	09206-08008-000	PIN (6.3X8X12)	2	
20	11360-12K00-000	COVER,ENGINE SPROCKET	1	
21	01547-0630A-000	BOLT	2	
22	09206-08008-000	PIN (6.3X8X12)	2	

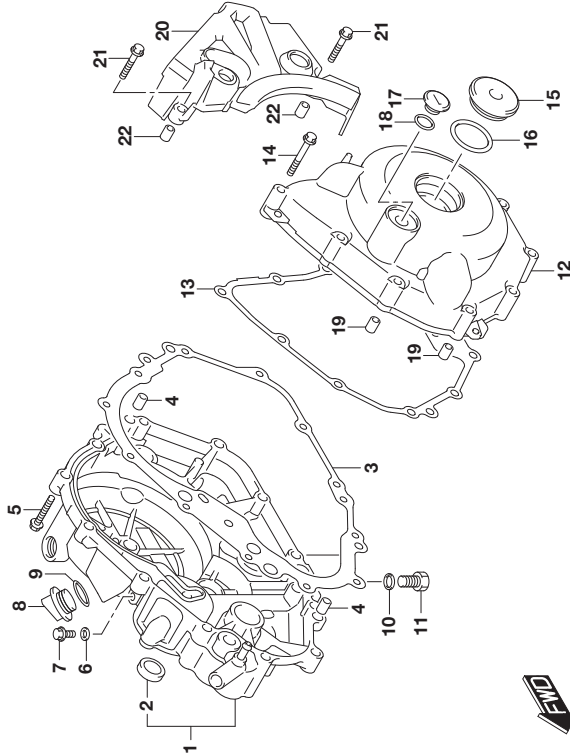
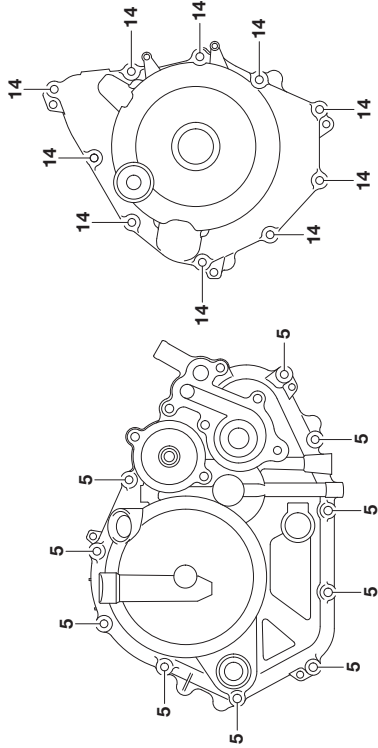


FIG. 120A

FIG. 120A (1-B-7) CRANKSHAFT

REF. NO.	PART NO.	DESCRIPTION	QTY	REMARKS
1	12200-12K31-000	CRANKSHAFT ASSY	1	
2	12661-12K00-000	GEAR, CRANK BALANCER DRIVE (NT: 44)	1	
3-1	12228-12K00-0A0	SHIM (T:0.6)	1	
3-2	12228-12K00-0B0	SHIM (T:0.65)	1	
3-3	12228-12K00-0C0	SHIM (T:0.7)	1	
3-4	12228-12K00-0D0	SHIM (T:0.75)	1	
3-5	12228-12K00-0E0	SHIM (T:0.8)	1	
3-6	12228-12K00-0F0	SHIM (T:0.85)	1	
3-7	12228-12K00-0G0	SHIM (T:0.9)	1	
3-8	12228-12K00-0H0	SHIM (T:0.95)	1	
3-9	12228-12K00-0J0	SHIM (T:1.0)	1	
3-10	12228-12K00-0K0	SHIM (T:1.05)	1	
3-11	12228-12K00-0L0	SHIM (T:1.1)	1	
3-12	12228-12K00-0M0	SHIM (T:1.15)	1	
3-13	12228-12K00-0N0	SHIM (T:1.2)	1	
3-14	12228-12K00-0P0	SHIM (T:1.25)	1	
3-15	12228-12K00-0R0	SHIM (T:1.3)	1	
3-16	12228-12K00-0S0	SHIM (T:1.35)	1	
3-17	12228-12K00-0T0	SHIM (T:1.4)	1	
4	09262-28058-000	BEARING (28X68X17)	1	
5	09262-35103-000	BEARING (35X72X17)	1	
6	09282-12L01-000	SEAL, OIL (12X21X7)	1	
7	16321-12K00-000	GEAR, OIL PUMP DRIVE (NT:15)	1	
8	12111-12K00-0F0	PISTON	1	
9	12140-12K00-000	RING SET, PISTON	1	
10	12151-12K00-000	PIN, PISTON	1	
11	09381-15001-000	CIRCLIP	2	
12-1	21111-12K00-0A0	GEAR, PRIMARY DRIVE (NT:21)	1	GREEN
12-2	21111-12K00-0B0	GEAR, PRIMARY DRIVE (NT:21)	1	PINK
13	09140-16019-000	NUT	1	
14	09421-04011-000	KEY	1	
15	08211-16251-000	WASHER	1	
16	09164-16005-000	WASHER	1	

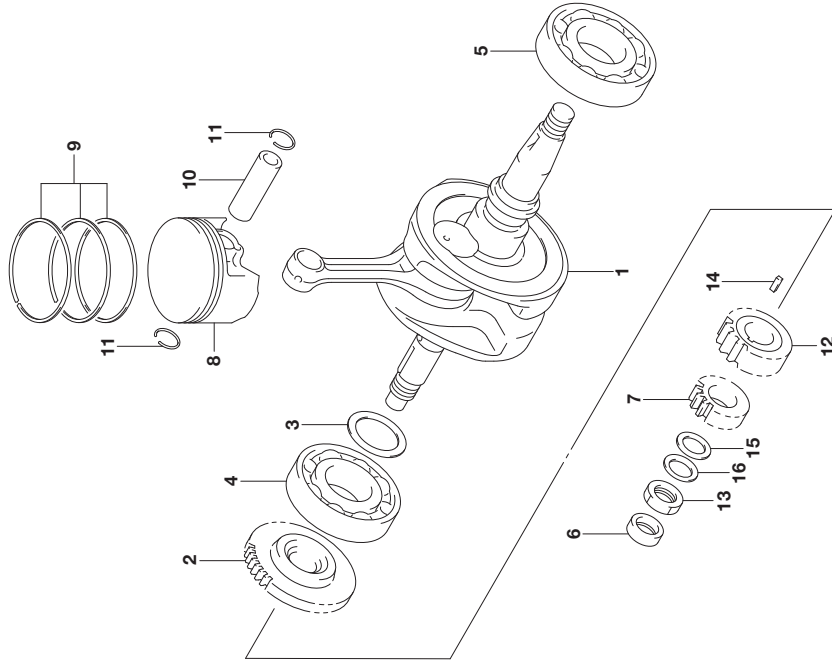


FIG. 122A

FIG.122A (1-B-8) STARTER CLUTCH

REF NO.	PART NO.	DESCRIPTION	QTY	REMARKS
1	12611-12K00-000	GEAR,STARTER IDLE (NT:15/53)	1	
2	12600-12822-000	CLUTCH SET, STARTER	1	
3	09180-13012-000	SPACER (13X19X6)	1	
4	09206-13007-000	PIN (7.4X13X40)	1	
5	09263-22075-000	BEARING (22X29X16.8)	1	
6	07130-0616A-000	BOLT	3	

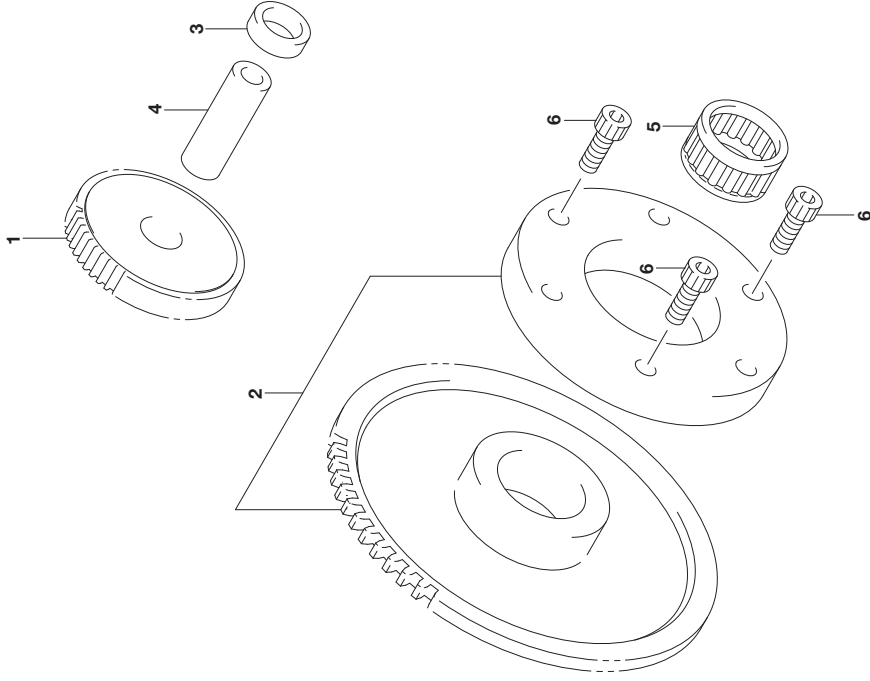


FIG. 124A

FIG.124A (1-B-9) CRANK BALANCER

REF.NO.	PART NO.	DESCRIPTION	QTY	REMARKS
1	12651-12K02-000	BALANCER,CRANK	1	
2	12662-12K00-000	WASHER,DRIVEN GEAR NO.1	1	
3	12662-34J10-000	WASHER,DRIVEN GEAR NO.2	1	
4	12663-47E50-000	SPRING,CRANK BALANCER GEAR (U2 0EPR9)	2	
5	12666-12K10-000	GEAR,CRANK BALANCER DRIVEN (NT :44)	1	
6	12669-12K10-000	RACE,CRK BAL DRIVEN GEAR INNER	1	
7	12686-25G31-000	DAMPER,CRANK BALANCER GEAR	2	
8	08331-31359-000	CIRCLIP (NT:12)	2	
9	12668-34J00-000	SPACER,DRIVEN GEAR (NT:19)	1	
10	09140-14022-000	NUT (NT:24)	1	
11	09262-15054-000	BEARING (15X42X13)	1	
12	09262-15055-000	BEARING (15X35X11)	1	
13	09421-04011-000	KEY	1	
14	08211-14242-000	WASHER (NT:24)	1	
15	09202-05035-000	PIN,CRANK BALANCER DRIVEN GEAR (5X7.7)	2	

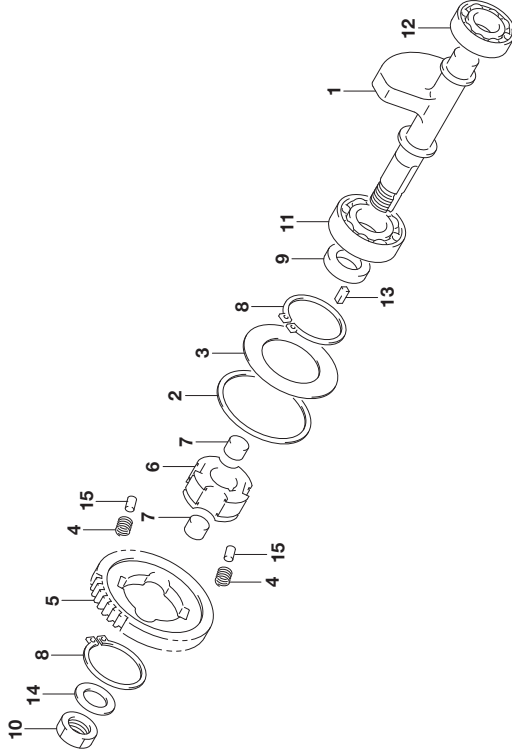


FIG. 126A

FIG. 126A (1-B-10) CAMSHAFT/VALVE

REF. NO.	PART NO.	DESCRIPTION	QTY	REMARKS
1	12710-12K11-000	CAMSHAFT, INTAKE	1	
2	12741-12K00-000	.SPROCKET, CAMSHAFT (NT:34)	1	
3	09103-05025-000	.BOLT	2	
4-1	12702-12K10-000	CAMSHAFT, EXHAUST	1	
4-2	12702-12K30-000	CAMSHAFT, EXHAUST	1	
5	12741-12K00-000	.SPROCKET, CAMSHAFT (NT:34)	1	
6	09103-05025-000	.BOLT	2	
7	12891-25G10-000	TAPPET	4	
8	12911-12K00-000	VALVE, INTAKE	2	
9	12912-12K00-000	VALVE, EXHAUST	2	
10	12921-12K00-000	SPRING, VALVE	4	
11	12931-25G20-000	RETAINER, VALVE SPRING	4	
12-1	12932-32C00-000	COTTER, VALVE	8	
12-2	12932-32C10-000	COTTER, VALVE	8	
13	12933-12K00-000	SEAT, VALVE SPRING	4	
14	09289-04002-000	SEAL OIL (4.5X10X8)	4	
15-1	12892-05C00-120	SHIM, TAPPET (T:1.20)	4	
15-2	12892-05C00-125	SHIM, TAPPET (T:1.25)	4	
15-3	12892-05C00-130	SHIM, TAPPET (T:1.30)	4	
15-4	12892-05C00-135	SHIM, TAPPET (T:1.35)	4	
15-5	12892-05C00-140	SHIM, TAPPET (T:1.40)	4	
15-6	12892-05C00-145	SHIM, TAPPET (T:1.45)	4	
15-7	12892-05C00-150	SHIM, TAPPET (T:1.50)	4	
15-8	12892-05C00-155	SHIM, TAPPET (T:1.55)	4	
15-9	12892-05C00-160	SHIM, TAPPET (T:1.60)	4	
15-10	12892-05C00-165	SHIM, TAPPET (T:1.65)	4	
15-11	12892-05C00-170	SHIM, TAPPET (T:1.70)	4	
15-12	12892-05C00-175	SHIM, TAPPET (T:1.75)	4	
15-13	12892-05C00-180	SHIM, TAPPET (T:1.80)	4	
15-14	12892-05C00-185	SHIM, TAPPET (T:1.85)	4	
15-15	12892-05C00-190	SHIM, TAPPET (T:1.90)	4	
15-16	12892-05C00-195	SHIM, TAPPET (T:1.95)	4	
15-17	12892-05C00-200	SHIM, TAPPET (T:2.00)	4	
15-18	12892-05C00-205	SHIM, TAPPET (T:2.05)	4	
15-19	12892-05C00-210	SHIM, TAPPET (T:2.10)	4	

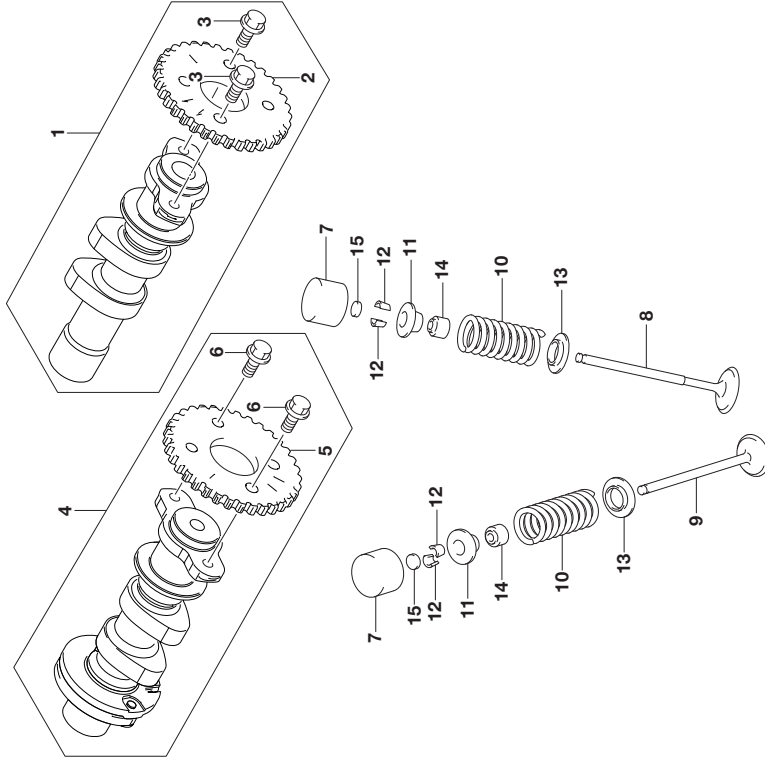


FIG. 126A

FIG. 126A (1-B-1) CAMSHAFT/VALVE

REF NO.	PART NO.	DESCRIPTION	QTY	REMARKS
15-20	12892-05C00-215	SHIM,TAPPET (T:2.15)	4	
15-21	12892-05C00-220	SHIM,TAPPET (T:2.20)	4	
16	12800-05830-000	SHIM SET,TAPPET (5PCS.EACH)	1	OPT
17	99000-69491-000	.CASE,TAPPET SHIM	1	NOT ILLUSTRATED OPT NOT ILLUSTRATED

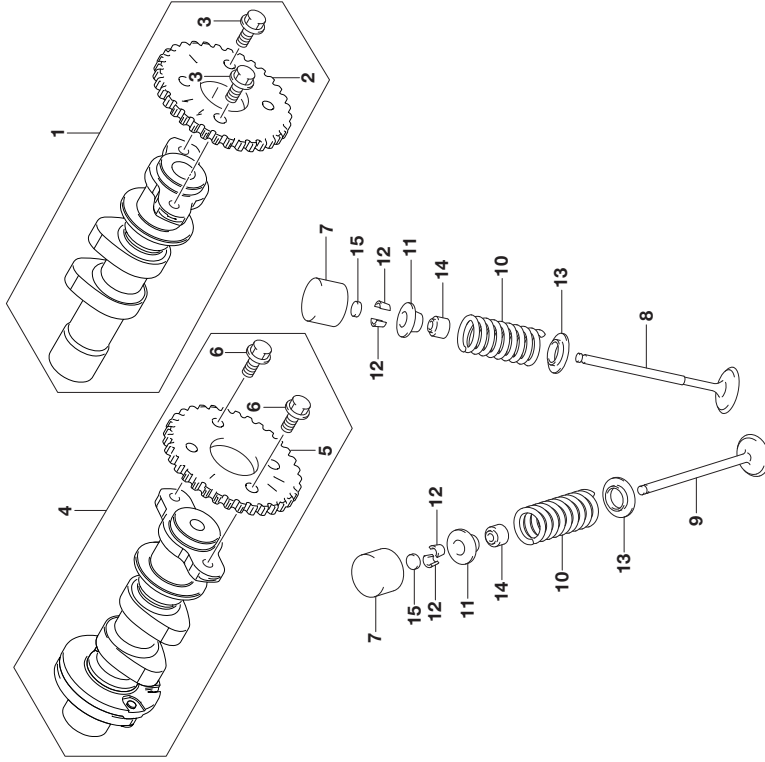


FIG. 127A

FIG. 127A (1-B-12) CAM CHAIN

REF NO.	PART NO.	DESCRIPTION	QTY	REMARKS
1	12760-12K00-000	CHAIN,CAMSHAFT DRIVE	1	
2	12771-12K00-000	GUIDE,CAM CHAIN NO.1	1	
3	12782-12K01-000	GUIDE,CAM CHAIN NO.2	1	
4	12811-12K00-000	TENSIONER,CAM CHAIN	1	
5	12812-35C00-000	BOLT,CAM CHAIN TENSIONER	1	
6	08211-06181-000	WASHER	1	
7	12830-12K00-000	ADJUSTER ASSY,TENSIONER	1	
8	12837-12K00-000	GASKET,TENSIONER ADJUSTER	1	
9	01547-0620A-000	BOLT	2	
10	12836-12K01-000	BOLT,ADJUSTER SPRING	1	

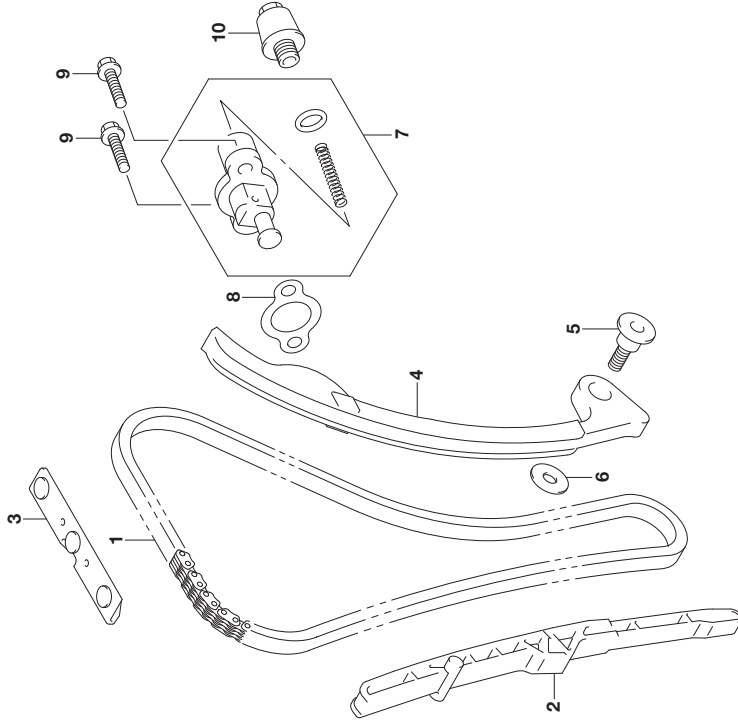
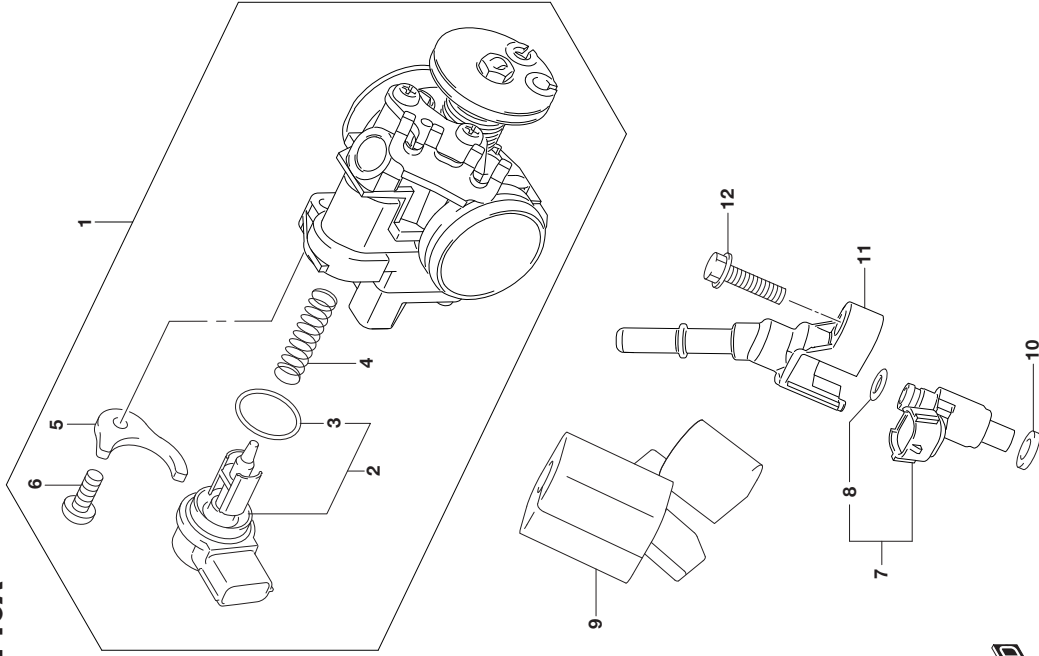


FIG. 140A

FIG.140A (1-B-13) THROTTLE BODY



REF NO.	PART NO.	DESCRIPTION	QTY	REMARKS
1	13400-23K00-000	BODY ASSY, THROTTLE	1	
2	18117-09JA0-000	.STEPPING MOTOR	1	
3	13438-09JA0-000	.O-RING	1	
4	13417-09JA0-000	.COMPRESSION SPRING	1	
5	13421-42J00-000	.PLATE	1	
6	13602-06128-000	.SCREW	1	
7	15710-23K00-000	INJECTOR ASSY, FUEL	1	
8	15716-42J00-000	.O-RING	1	
9	15719-12K01-000	COVER,FUEL INJECTOR	1	
10	15722-42J00-000	SEAL	1	
11	15830-23K00-000	JOINT,FUEL HOSE	1	
12	01547-0625A-000	BOLT	1	

FIG. 155A

FIG. 155A (1-B-14) AIR CLEANER

REF. NO.	PART NO.	DESCRIPTION	QTY	REMARKS
1	13700-23K10-000	CLEANER ASSY,AIR	1	
2	13741-23K00-000	.CAP,AIR CLEANER	1	
3	13746-23K00-000	.GASKET	1	
4	13761-23K00-000	.RESONATOR	1	
5	13780-23K00-000	.FILTER ASSY	1	
6	13821-12K00-000	.CLIP	2	
7	13822-12K00-000	.CLIP	1	
8	13853-23K00-000	.TUBE,BREATHER	1	
9	13878-12K00-000	.PLUG,DRAIN	2	
10	13881-23K00-000	.TUBE,OUTLET	1	
11	13891-23K00-000	.TUBE,INLET	1	
12	09401-11101-000	.CLIP	1	
13	13826-23K00-000	.CLAMP	1	
14	13747-23K00-000	.GASKET,CAP FILTER	1	
15	13911-23K01-000	.BRACKET,RELAY	1	
16	03541-0512A-000	.SCREW	1	
17	03541-0520B-000	.SCREW	10	
18	13841-23K00-000	SHEET, AIR CLEANER INLET	1	
19	01550-0612A-000	BOLT	3	

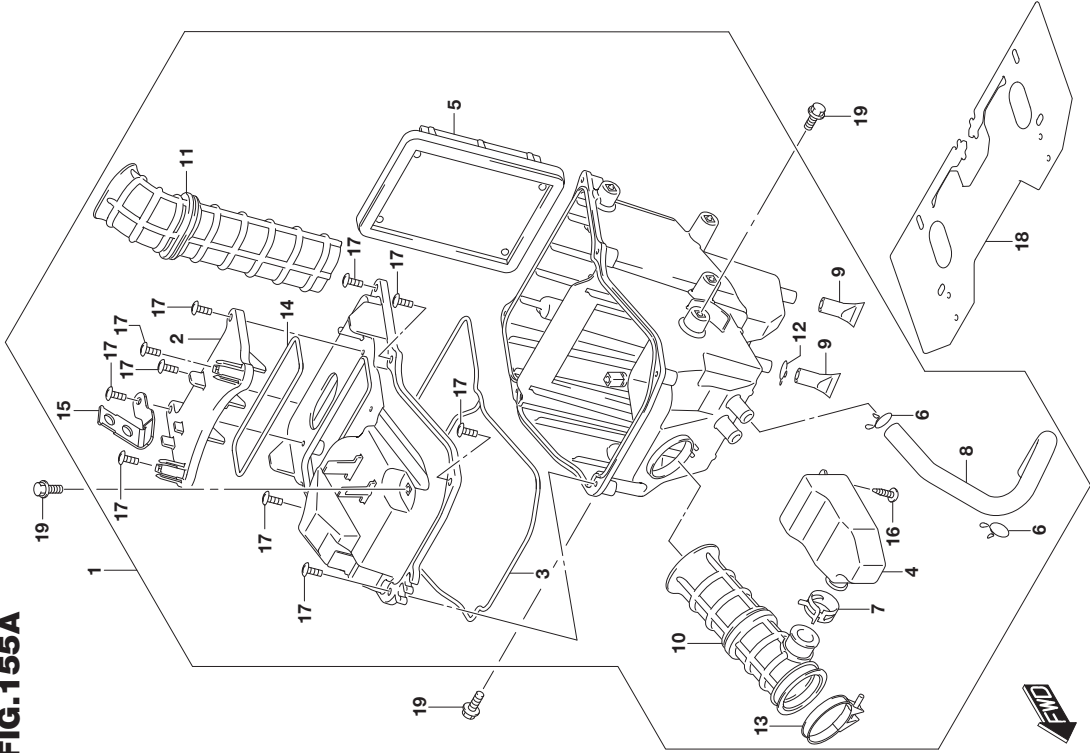


FIG. 163A

FIG. 163A (1-B-15) MUFFLER

REF NO.	PART NO.	DESCRIPTION	QTY	REMARKS
1	14181-47E20-000	GASKET, EXH PIPE	1	
2	14310-23K30-000	BODY, MUFFLER	1	
3	14780-23K00-000	COVER, MUFFLER	1	
4	14783-23K00-000	.SHIELD, MUF COVER FR	1	
5	14784-23K00-000	.SHIELD, MUF COVER RR	1	
6	14795-10FA0-000	GROMMET	1	
7	09139-06027-000	SCREW (6X12)	1	
8	09160-06028-000	WASHER (6.5X18X1.0)	1	
9	09180-06343-000	SPACER	1	
10	09320-08082-000	CUSHION	1	
11	09160-08134-000	WASHER (8.5X26X1.6)	1	
12	09180-08151-000	SPACER (8.6X12X17.5)	1	
13	09320-12032-000	CUSHION	1	
14	01550-0835A-000	BOLT	1	
15	08319-3108A-000	NUT	1	
16	01550-0825A-000	BOLT	2	
17	14760-23K00-000	STAY, MUF RR COV	1	
18	14790-23K01-000	COVER, MUF RR	1	
19	09169-06057-000	WASHER	3	
20	09320-08082-000	CUSHION	3	
21	01550-0612B-000	BOLT	3	
22	07130-0616A-000	BOLT	2	
23	18213-12K01-000	SENSOR, OXYGEN	1	
24	36990-25G00-000	CLAMP (L:95)	1	

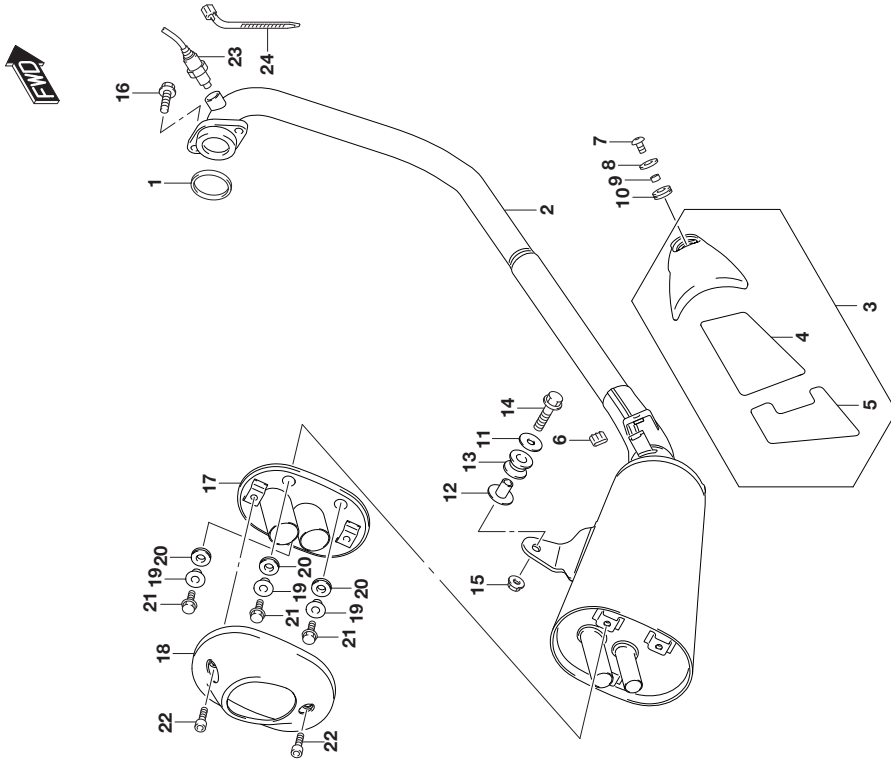


FIG.170A

FIG.170A (1-C-2) OIL PUMP

REF.NO.	PART NO.	DESCRIPTION	QTY	REMARKS
1	16400-12K00-000	PUMP ASSY,ENGINE OIL	1	
2	16331-12K00-000	GEAR,OIL PUMP DRIVEN (NT.30)	1	
3	09261-02001-000	PIN (2.5X19.8)	1	
4	09280-08022-000	O-RING (D:2.4, ID:7.8)	1	
5	08332-1106A-000	E-RING	1	
6	01547-0630A-000	BOLT	3	
7	09206-08008-000	PIN (6.3X8X12)	3	
8	16520-45H01-000	STRAINER,ENG OIL	1	
9-1	16510-45H10-000	FILTER,ENGINE OIL	1	NICHIRINDO
9-2	16510-45H20-000	FILTER,ENGINE OIL	1	SELAMAT
10	09280-54001-000	O RING (D:2.4, ID:52.6)	1	
11	16512-22J30-000	CAP,OIL FILTER	1	
12	09280-13010-000	O RING (D:1.9, ID:12.5)	1	
13	16519-09J00-000	SPRING,OIL FILTER	1	
14	01547-0620A-000	BOLT	2	

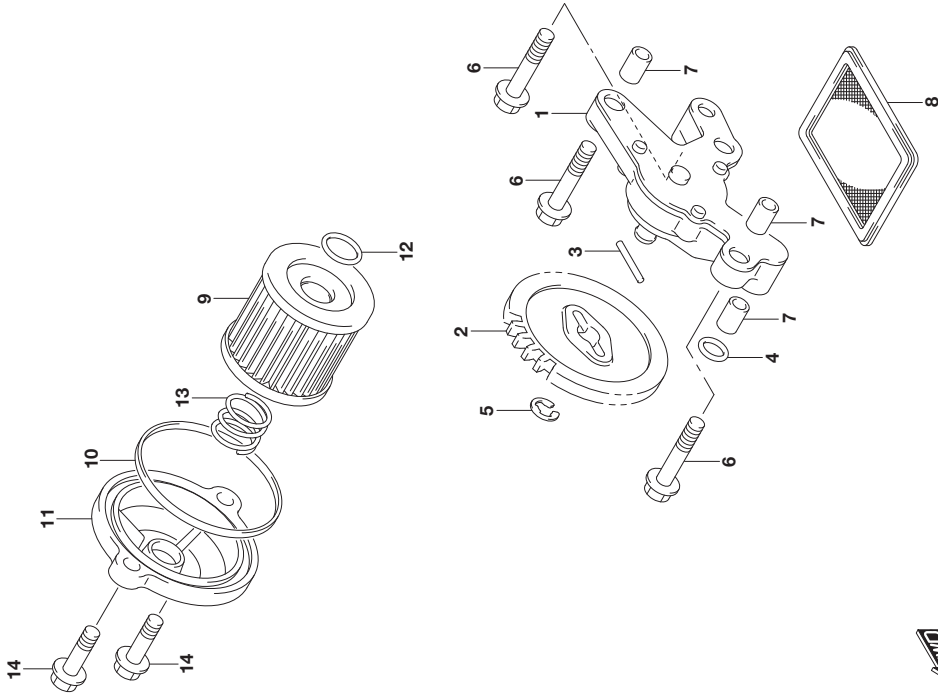


FIG. 172A

FIG. 172A (1-C-3) FUEL PUMP

REF NO.	PART NO.	DESCRIPTION	QTY	REMARKS
1	15100-23K00-000	PUMP ASSY,FUEL	1	
2	15420-34JB0-000	.FILTER	1	
3	15424-09JB0-000	.O-RING	2	
4	15120-23K00-000	PLATE,FUEL PUMP	1	
5	15201-23K20-000	O-RING,FUEL PUMP	1	
6	15810-23K00-000	HOSE,FUEL	1	
7	01547-0610A-000	BOLT	5	
8	34810-23K10-000	GAUGE ASSY,FUEL LEVEL SENDER	1	

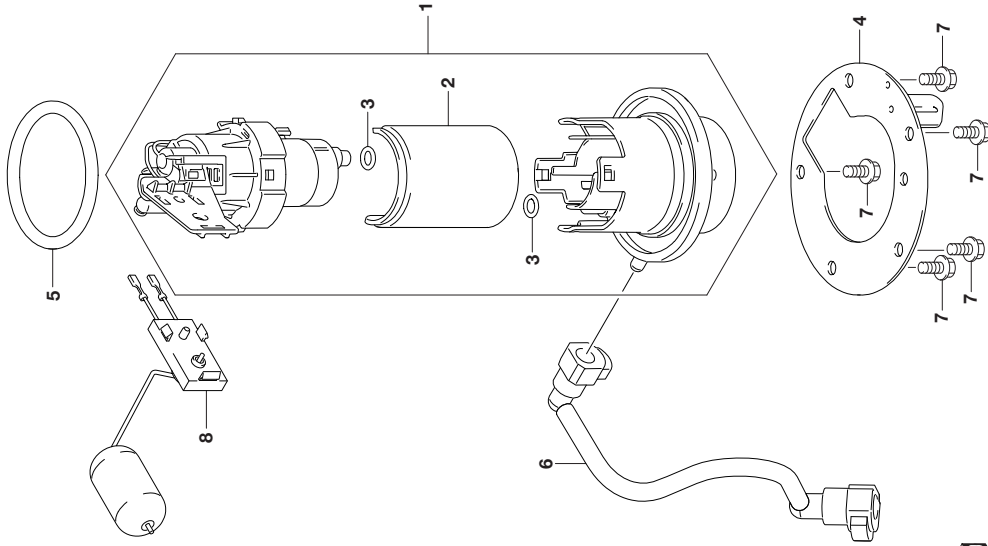


FIG. 180A

FIG. 180A (1-C-4) WATER PUMP

REF NO.	PART NO.	DESCRIPTION	QTY	REMARKS
1	16331-12K00-000	GEAR,OIL PUMP DRIVEN (NT.30)	1	
2	17410-12K20-000	CASE,WATER PUMP	1	
3	17431-12K10-000	O RING,WATER PUMP CASE	1	
4	17461-12K00-000	SEAL,WATER PUMP SHAFT OIL	1	
5	17510-12K01-000	SHAFT,WATER PUMP	1	
6	09168-06018-000	GASKET (6.2X13X1.2)	1	
7	09261-02001-000	PIN (2.5X19.8)	1	
8	01547-0620A-000	BOLT	3	
9	01547-0675A-000	BOLT	2	
10	08113-0608A-000	BEARING	2	
11	08332-1106A-000	E-RING	2	

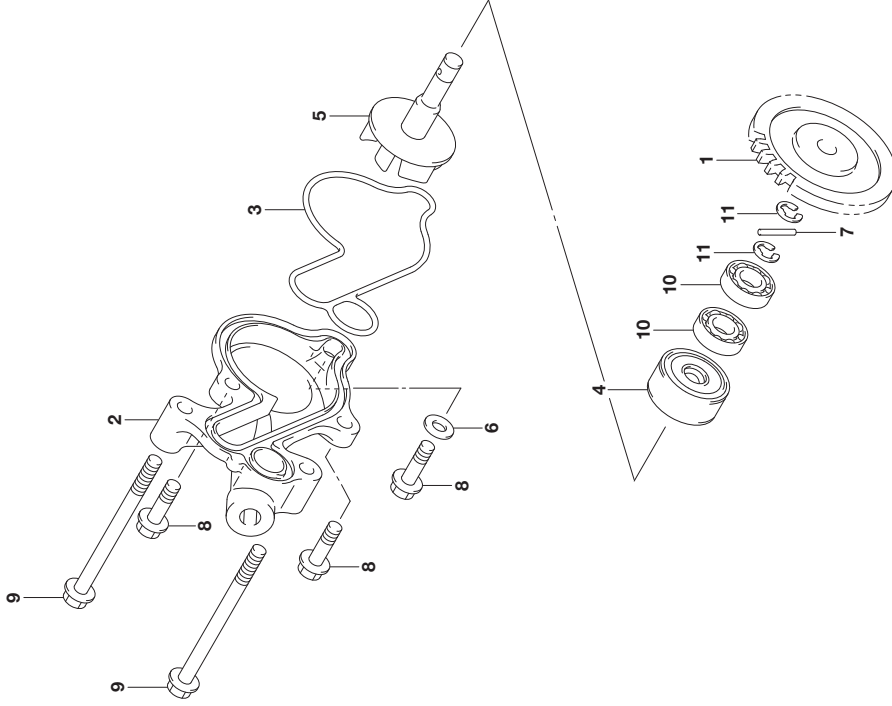


FIG. 185A

FIG. 185A (1-C-5) RADIATOR

REF NO.	PART NO.	DESCRIPTION	QTY	REMARKS
1	17710-23K00-000	RADIATOR ASSY, WATER	1	
2	17800-12K00-000	FAN ASSY	1	
3	17802-12K00-000	NUT	2	
4	01550-0616A-000	BOLT	2	
5	17730-14G00-000	CAP, RADIATOR (1.1)	1	
6	17751-12K00-000	BRACKET, RADIATOR LOWER	1	
7	17781-12J00-000	CUSHION	1	
8	09116-06111-000	BOLT (6X20)	2	
9	09180-06310-000	SPACER (6.5X10X10)	2	
10	09320-10501-000	CUSHION (10X20X10)	2	
11	01550-0610A-000	BOLT	1	

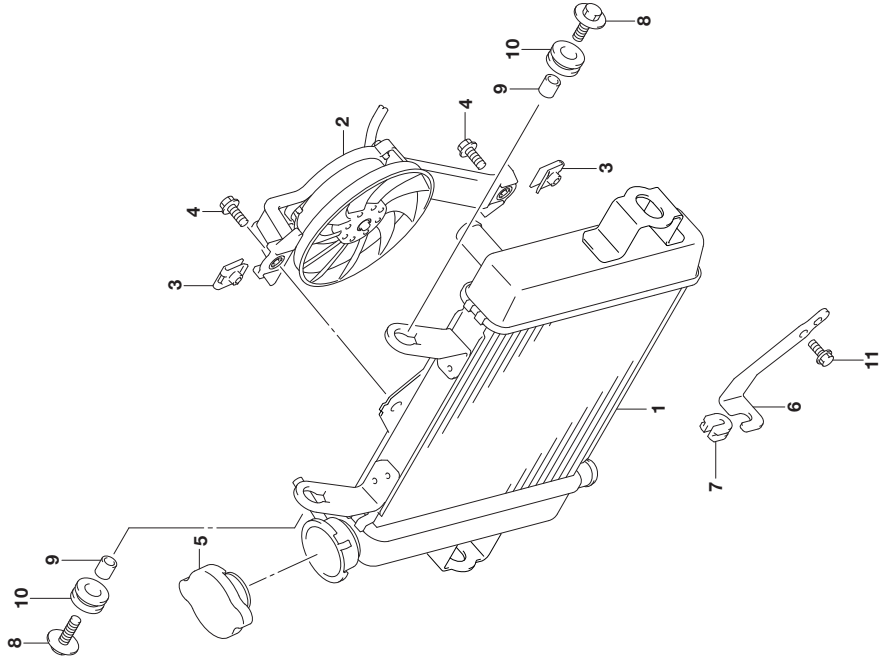


FIG. 187A

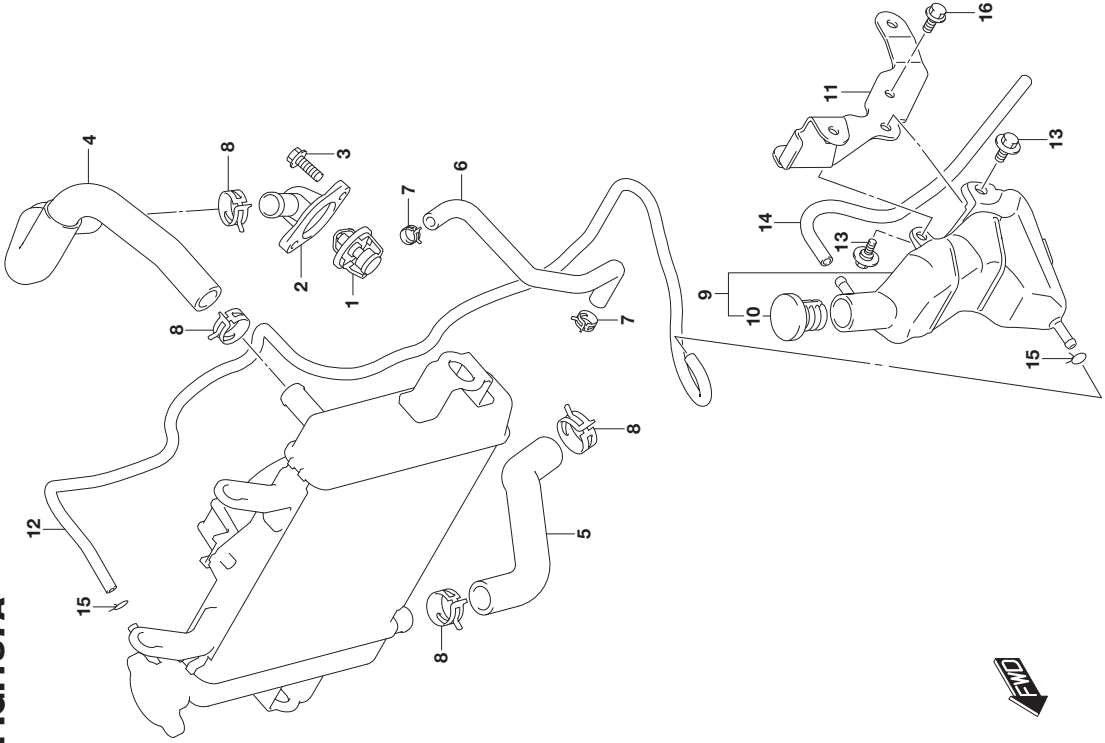


FIG. 187A (1-C-6) RADIATOR HOSE

REF NO.	PART NO.	DESCRIPTION	QTY	REMARKS
1	17670-12K11-000	THERMOSTAT, WATER	1	
2	17661-12K02-000	COVER, THERMOSTAT	1	
3	01547-0620A-000	BOLT	2	
4	17851-23K00-000	HOSE, RADIATOR INLET	1	
5	17852-12K10-000	HOSE, RADIATOR OUTLET	1	
6	17856-12K00-000	HOSE, WATER BYPASS	1	
7	09401-10417-000	CLIP	2	
8	09401-20406-000	CLIP	4	
9	17910-23K00-000	TANK ASSY, RESERVOIR	1	
10	17931-31J10-000	CAP, WATER RSVR TANK	1	
11	17920-23K00-000	BRACKET, RSVR TANK	1	
12	17981-23K10-000	HOSE, RESERVOIR TANK INLET	1	
13	09111-06063-000	BOLT (6X12)	2	
14	09352-50007-140	HOSE, RSVR TANK OVFL	1	
15	09401-08402-000	CLIP (ID:8)	2	
16	01547-0612A-000	BOLT	2	



FIG. 189A

FIG. 189A (1-C-7) 2ND AIR

REF NO.	PART NO.	DESCRIPTION	QTY	REMARKS
1	18450-06G10-000	VALVE ASSY, 2ND AIR REED	1	
2	18461-23K01-000	HOSE, 2ND AIR VALVE	1	
3	18510-48H10-000	VALVE ASSY, AIR CUT	1	
4	18531-09J00-000	COVER, 2ND AIR REED VALVE	1	
5	18610-23K10-000	BRACKET COMP, 2ND AIR VALVE	1	
6	18711-23K01-000	HOSE, 2ND AIR CLNR	1	
7	36990-25G20-000	CLAMP (L:165)	1	
8	09401-15T01-000	CLIP (ID:15.5)	2	
9	09401-17L01-000	CLIP, 2ND AIR VALVE HOSE NO.	2	
10	01547-0616A-000	BOLT	2	
11	01550-0612A-000	BOLT	1	

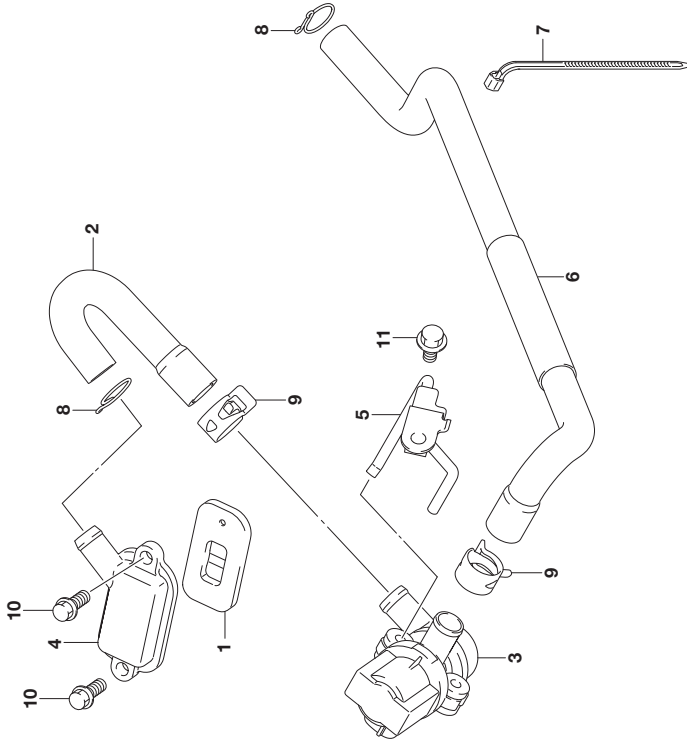


FIG.201A

FIG.201A (1-C-8) CLUTCH

REF.NO.	PART NO.	DESCRIPTION	QTY	REMARKS
1	21251-12K02-000	SPACER,PRIMARY DRIVEN GEAR	1	
2-1	21200-12K10-0A0	GEAR ASSY,PRIMARY DRIVEN (NT:6 9)	1	
2-2	21200-12K10-0B0	GEAR ASSY,PRIMARY DRIVEN (NT:6 9)	1	
3	21411-05241-000	HUB,CLUTCH SLEEVE	1	
4	21441-25G10-000	PLATE,CLUTCH DRIVE (T:3.0)	5	
5	21451-28040-000	PLATE,CLUTCH DRIVEN (T:1.6)	4	
6	21462-23K00-000	DISC,CLUTCH PRESSURE	1	
7	09116-05147-000	BOLT (5X16)	5	
8	09440-15042-000	SPRING	5	
9	21414-12K00-000	NUT	1	
10	09169-16009-000	WASHER	1	
11	08211-20352-000	WASHER	2	
12	23165-28G60-000	RACK,CLUTCH RELEASE	1	
13	23261-12K01-000	PINION,RELEASE	1	
14	23271-47E20-000	ARM,CLUTCH RELEASE	1	
15	09160-12086-000	WASHER (12.5X17X1)	1	
16	08110-62000-000	BEARING	1	
17	09285-10008-000	SEAL (10X17X5)	1	
18	01500-0616B-000	BOLT	1	
19	08331-41309-000	CIRCLIP	1	

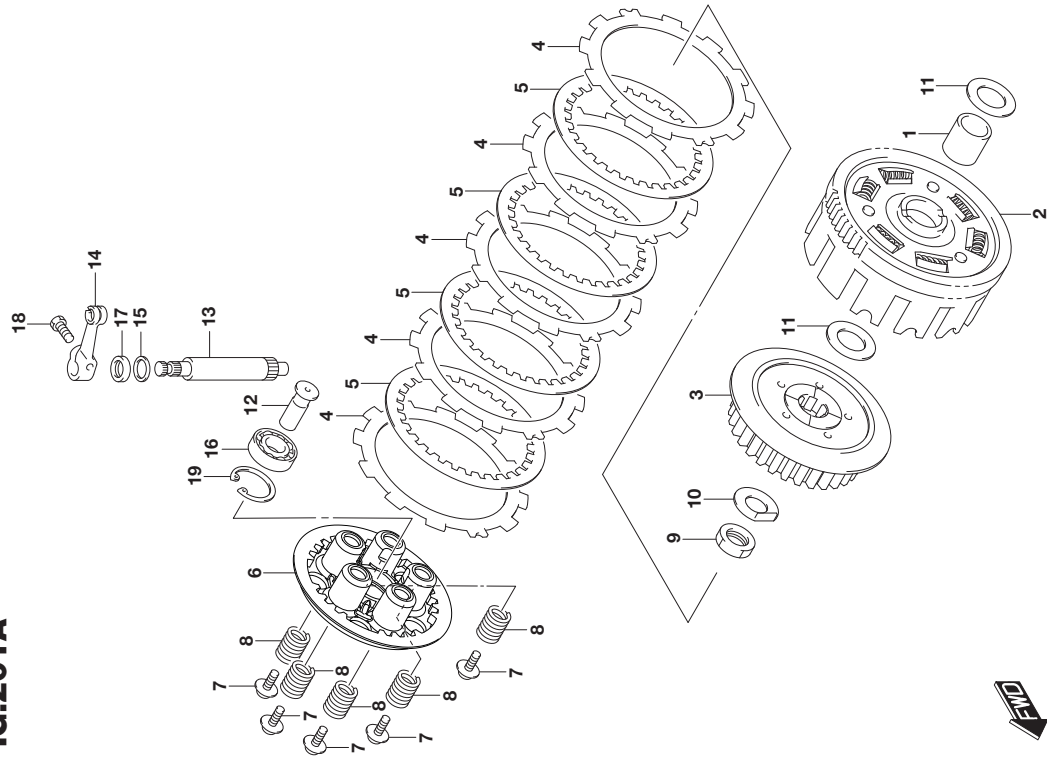


FIG.206A

FIG.206A (1-C-9) TRANSMISSION

REF.NO.	PART NO.	DESCRIPTION	QTY	REMARKS
1	24121-12K10-000	SHAFT,COUNTER (NT:13)	1	
2	24221-12K10-000	GEAR,2ND DRIVE (NT:15)	1	
3	24231-12K10-000	GEAR,3RD & 4TH DRIVE (NT:21/23)	1	
4	24251-12K40-000	GEAR,5TH DRIVE (NT:22)	1	
5	24261-12K40-000	GEAR,6TH DRIVE (NT:27)	1	
6	09380-20019-000	CIRCLIP	1	
7	08110-62040-000	BEARING	1	
8	08120-60020-000	BEARING	1	
9	24130-12820-000	SHAFT,DRIVE	1	
10	24311-12K10-000	GEAR,1ST DRIVEN (NT:38)	1	
11	24312-12K00-000	BUSH,1ST DRIVEN GEAR	1	
12	24321-12K10-000	GEAR,2ND DRIVEN (NT:29)	1	
13	24322-12K00-000	BUSH,2ND DRIVEN GEAR	1	
14	24323-12K00-000	WASHER,2ND DRIVEN GEAR,L	1	
15	24331-12K10-000	GEAR,3RD DRIVEN (NT:31)	1	
16	24341-12K40-000	GEAR,4TH DRIVEN (NT:28)	1	
17	24351-12K10-000	GEAR,5TH DRIVEN (NT:23)	1	
18	24361-12K10-000	GEAR,6TH DRIVEN (NT:25)	1	
19	09380-20019-000	CIRCLIP	1	
20	08211-15251-000	WASHER	1	
21	08211-16251-000	WASHER	1	
22	08211-20241-000	WASHER	1	
23	08211-20241-000	WASHER	1	
24	09181-20139-000	WASHER	1	
25	24399-12K00-000	SEAL,DRIVE SHAFT OIL	1	
26	08110-62020-000	BEARING	1	
27	09262-20178-000	BEARING	1	
28	24741-20A10-000	RETAINER,SHIFT CAM R BEARING	1	
29	02112-0612A-000	SCREW	1	
30	24751-05210-000	RETAINER,DRIVE SHAFT OIL SEAL	1	
31	01500-0610A-000	BOLT	2	
32	27511-23K10-000	SPROCKET,ENGINE	1	
33	27512-25G00-000	PLATE,ENGINE SPROCKET	1	
34	27610-12K00-122	CHAIN ASSY,DRIVE (122L,GREEN)	1	

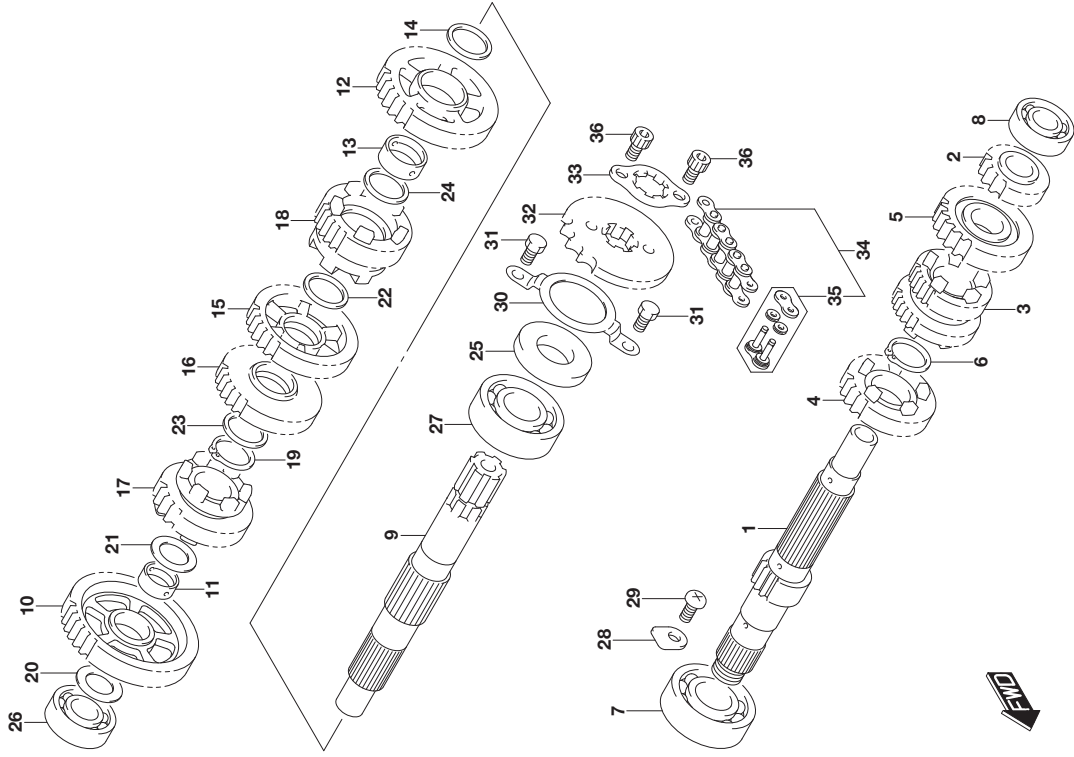


FIG.206A

FIG.206A (1-C-10) TRANSMISSION

REF NO.	PART NO.	DESCRIPTION	QTY	REMARKS
35	27620-12K00-000	.JOINT LINK (RK)	1	
36	07130-0610A-000	BOLT	2	

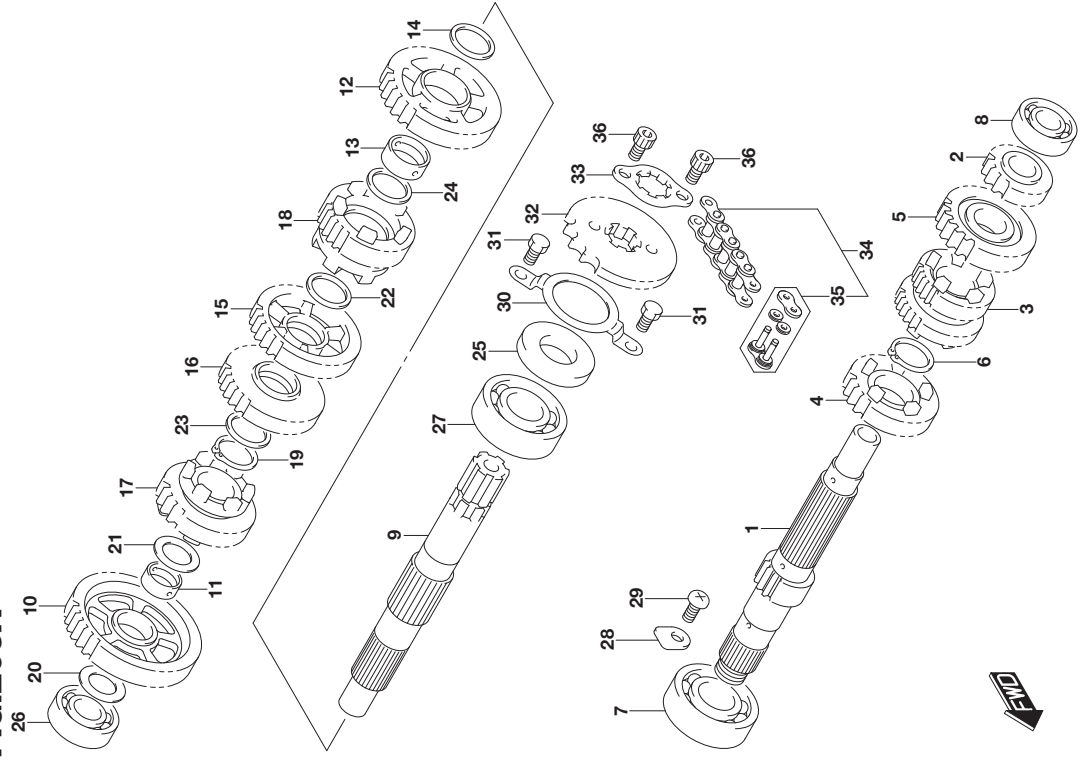


FIG.212A

FIG.212A (1-C-11) GEAR SHIFTING

REF.NO.	PART NO.	DESCRIPTION	QTY	REMARKS
1	25211-12K00-000	FORK,GEAR SHIFT NO.1	2	
2	25231-12K00-000	FORK,GEAR SHIFT NO.3	1	
3	25411-25G10-000	SHAFT,GEAR SHIFT FORK NO.1	1	
4	25421-25G10-000	SHAFT,GEAR SHIFTING NO.2	1	
5	24741-20A10-000	RETAINER,SHIFT CAM R BEARING	1	
6	25311-12K00-000	CAM,GEAR SHIFT	1	
7	25312-12K00-000	SPACER,GEAR SHIFT CAM BRG	1	
8	25381-12K00-000	PLATE,GEAR SHIFT CAM	1	
9	09261-03002-000	PIN (3X9.8)	2	
10	02112-0612A-000	SCREW	1	
11	07130-0620A-000	BOLT	1	
12	08110-69050-000	BEARING	1	
13	25350-26D01-000	STOPPER,GEAR SHIFT CAM	1	
14	25355-12K00-000	SPRING,GEAR SHIFT CAM STOPPER	1	
15	25357-22J00-000	BOLT,SHIFT CAM STOPPER	1	
16	08211-06121-000	WASHER	1	
17	25510-12K11-000	SHAFT,GEAR SHIFT	1	
18	25512-12K01-000	PLATE,GEAR SHIFT CAM DRIVE	1	
19	25518-12K10-000	SPRING,SHIFT SHAFT RETURN	1	
20	25519-25G00-000	WASHER,GEAR SHIFT SHAFT,R (14X22X1)	2	
21	25671-22J10-000	STOPPER,GEAR SHIFT	1	
22	09283-14014-000	SEAL (14X22X6)	1	
23	09440-17013-000	SPRING	1	
24	08331-31149-000	CIRCLIP	2	
25	25520-23K00-000	ARM,GEAR SHIFT LINK	1	
26	25525-23K00-000	ROD,GEAR SHIFT LINK	1	
27	25600-23K61-000	LEVER ASSY,GEAR SHIFT	1	
28	25652-16H11-000	RUBBER,GEAR SHIFT	1	
29	25617-30H00-000	WASHER,GEAR SHIFT LINK ROD (6.2X16X1.2)	2	
30	01500-0620A-000	BOLT	1	
31	04111-2015A-000	PIN	2	
32	09160-18043-000	WASHER,GEAR SHIFT LEVER (18X24 X1)	1	

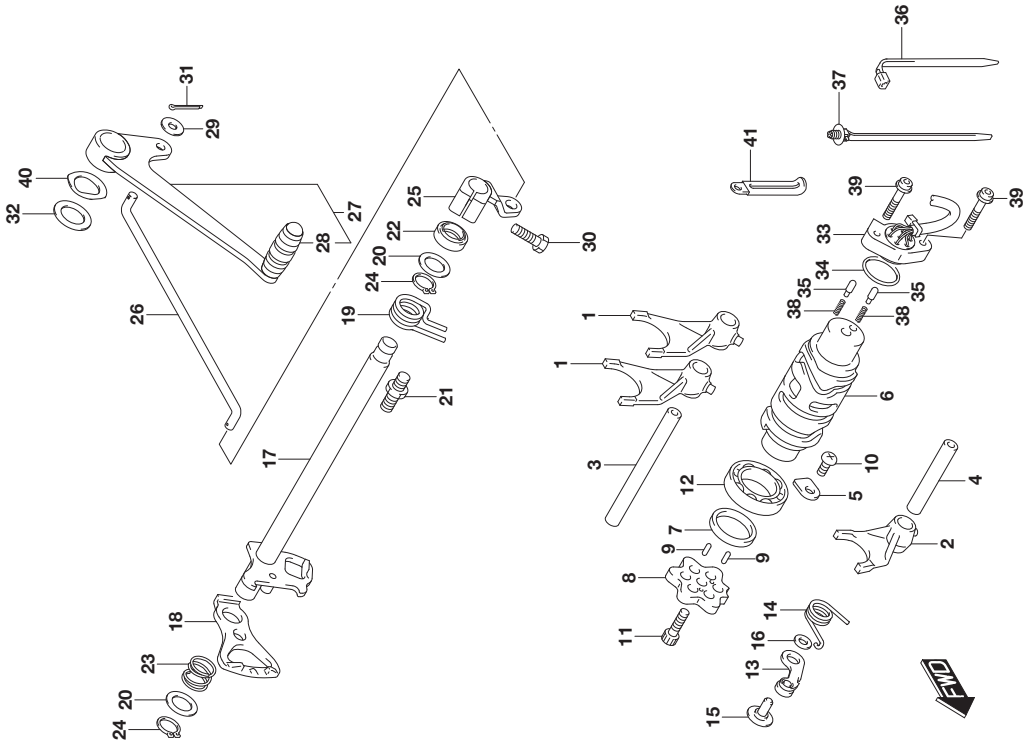


FIG.212A

FIG.212A (1-C-12) GEAR SHIFTING

REF.NO.	PART NO.	DESCRIPTION	QTY	REMARKS
33	37720-12K12-000	BASE ASSY,GEAR SHIFT TERM	1	
34	37722-25G00-000	O-RING,GEAR SHIFT SW (D:2.4,ID :26.2)	1	
35	09209-05011-000	PIN (5X15.5)	2	
36	36990-25G20-000	CLAMP (L:165)	1	
37	09407-17403-000	CLAMP (L:154)	2	
38	09440-04010-000	SPRING	2	
39	07130-0520A-000	BOLT	2	
40	09164-18002-000	WASHER (18.7X26X0.3)	1	
41	09404-06429-000	CLAMP (L:45)	1	

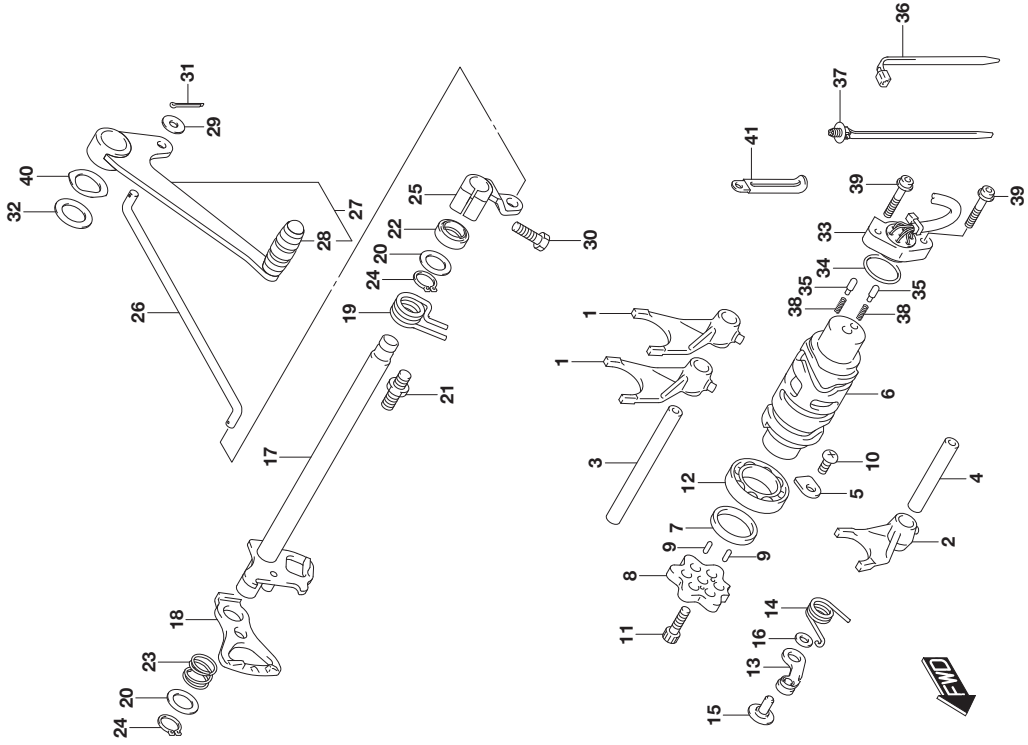


FIG.301A

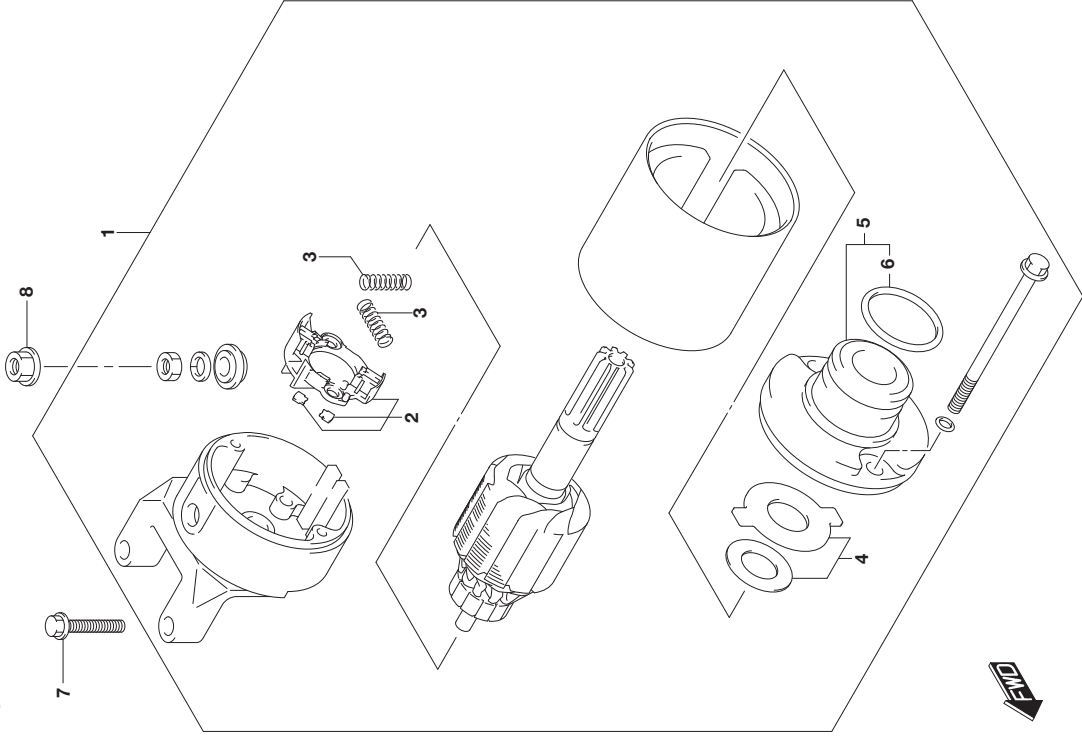


FIG.301A (1-C-13) STARTING MOTOR

REF.NO.	PART NO.	DESCRIPTION	QTY	REMARKS
1	31100-12K10-000	MOTOR ASSY, STARTING	1	
2	31130-20G00-000	.HOLDER SET, BRUSH	1	
3	31135-19D00-000	.SPRING	2	
4	31170-19B10-000	.WASHER SET	1	
5	31151-20G00-000	.HOUSING SET	1	
6	31156-98E00-000	.O-RING (D:3.1, ID:2.4)	1	
7	01547-0625A-000	BOLT	2	
8	08361-3506A-000	NUT	1	



FIG.303A

FIG.303A (1-C-14) MAGNETO

REF NO.	PART NO.	DESCRIPTION	QTY	REMARKS
1	32101-12K11-000	STATOR ASSY,MAGNETO	1	
2	32102-12K10-000	ROTOR ASSY,MAGNETO	1	
3	32371-12K00-000	CLAMP,MAGNETO LEAD	1	
4	32371-16H00-000	CLAMP,MAGNETO LEAD	1	
5	09159-14037-000	NUT	1	
6	09420-03008-000	KEY	1	
7	07130-0512A-000	BOLT	2	
8	07130-0512A-000	BOLT	1	
9	07130-0535A-000	BOLT	3	

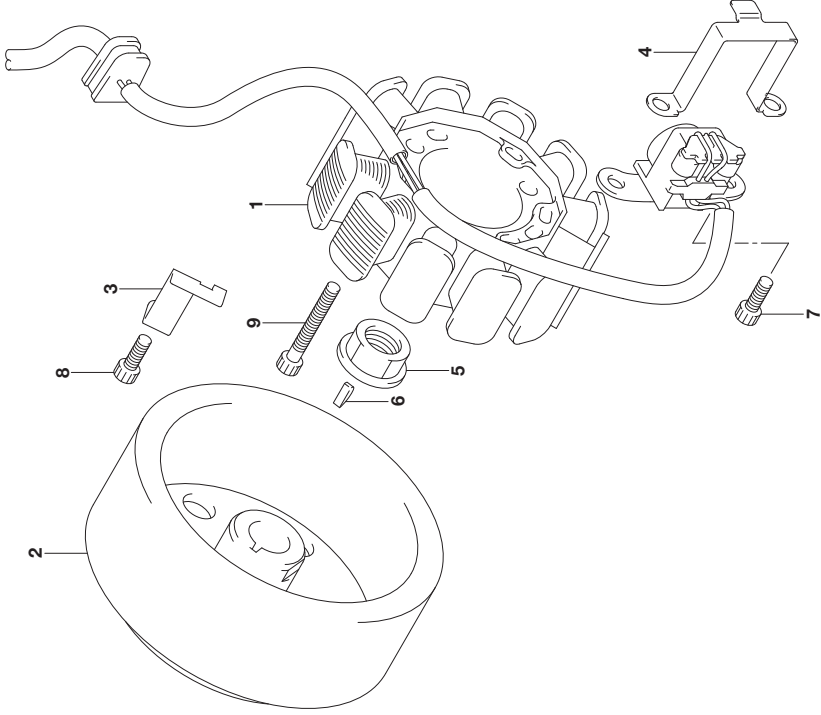


FIG.310A

FIG.310A (1-C-15) BATTERY

REF NO.	PART NO.	DESCRIPTION	QTY	REMARKS
1	33620-23K20-000	BATTERY ASSY (GTZ6V,12V5AH)	1	
2	33652-38000-000	PROTECTOR,BATTERY (40X30X3.0)	5	
3	33810-23K00-000	WIRE, STARTER MOTOR	1	
4	31861-48B10-000	.CAP,STARTER MOTOR LEAD	1	
5	33820-23K00-000	WIRE, BATTERY PLUS	1	
6	33624-23K00-000	.CAP	1	
7	09407-14407-000	CLAMP (L:145)	1	

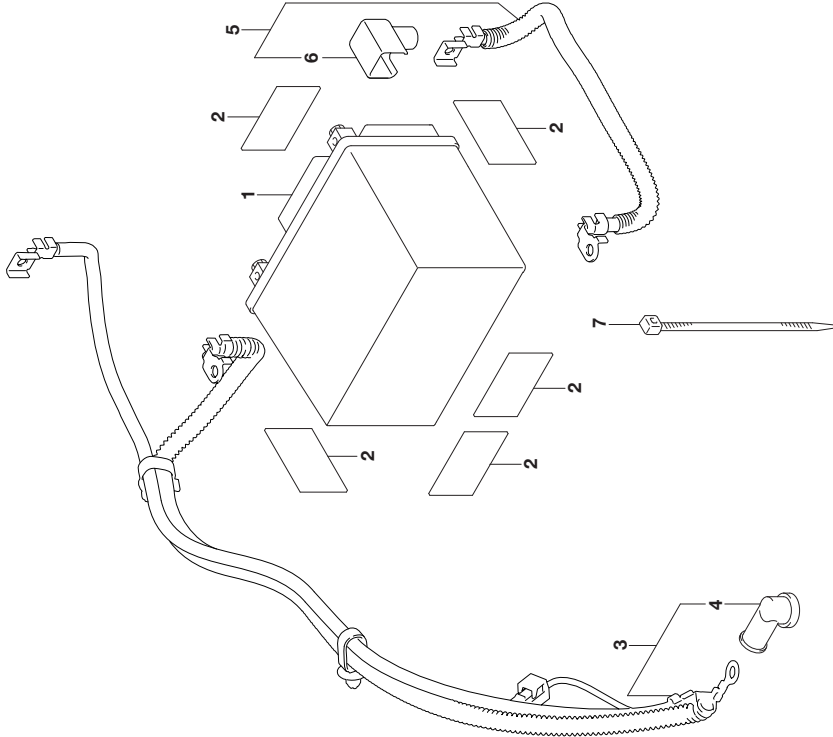
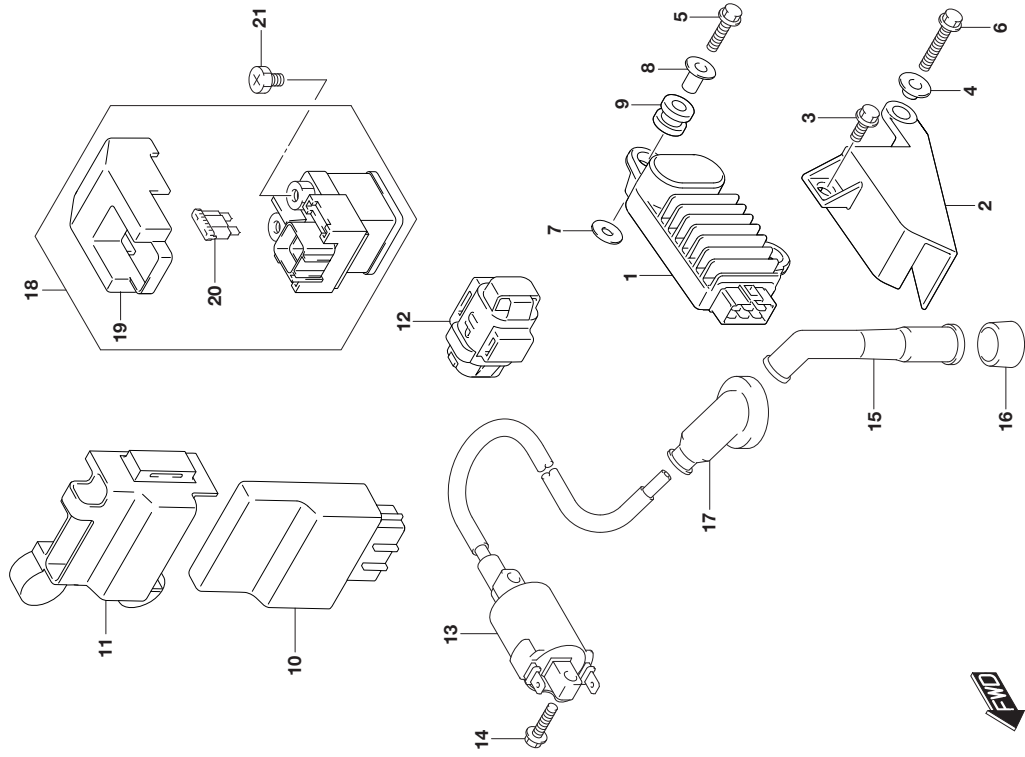


FIG.312A

FIG.312A (1-D-2) ELECTRICAL



REF.NO.	PART NO.	DESCRIPTION	QTY	REMARKS
1	32800-23K00-000	RECTIFIER ASSY	1	
2	32832-23K00-000	PLATE,RECTIFIER	1	
3	09111-06054-000	BOLT (6X14.6)	1	
4	09180-06325-000	SPACER (6.2X8.4X6.9)	1	
5	01550-0625A-000	BOLT	1	
6	01550-0635A-000	BOLT	1	
7	09160-06028-000	WASHER (6.5X18X1.0)	2	
8	09180-06375-000	SPACER,RECTIFIER	2	
9	09320-08507-000	CUSHION,RECTIFIER	2	
10	32920-23KK1-000	CONTROL UNIT,FI	1	
11	32942-23K00-000	PROTECTOR,FI CONTROL UNIT	1	
12	33960-27G00-000	SENSOR ASSY,FUEL CUT	1	
13	33410-40J10-000	COIL ASSY,IGNITION	1	
14	01547-0620A-000	BOLT	2	
15	33510-25G00-000	CAP,SPARK PLUG	1	
16	33541-25G00-000	SEAL,SPARK PLUG	1	
17	33542-25G10-000	SEAL,HIGH TENSION CORD	1	
18	31800-33G60-000	RELAY ASSY,STARTING MOTOR	1	
19	31861-47E00-000	.COVER	1	
20	09481-20102-000	.FUSE (20A)	2	
21	09128-06013-000	SCREW (6X8)	2	

FIG.330A



FIG.330A (1-D-3) SPEEDOMETER

REF.NO.	PART NO.	DESCRIPTION	QTY	REMARKS
1	34100-12KA0-000	SPEEDOMETER ASSY	1	
2	34189-30H30-000	CUSHION,SPEEDOMETER	3	
3	09160-04026-000	WASHER (4.5X16X1.2)	1	
4	03541-0416A-000	SCREW	1	
5	34990-12K00-000	SENSOR,SPEED	1	
6	07130-0512B-000	BOLT	1	

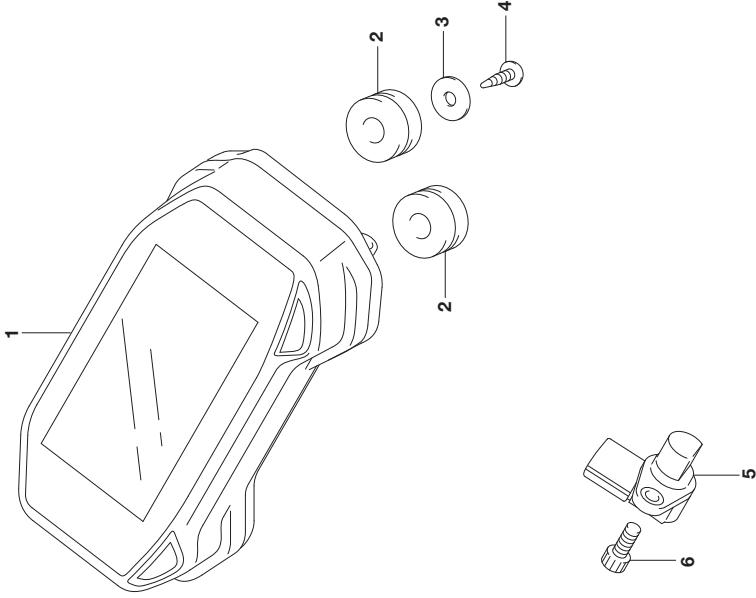


FIG.333A

FIG.333A (1-D-4) HEADLAMP

REF NO.	PART NO.	DESCRIPTION	QTY	REMARKS
1	35100-23KB1-000	HEADLAMP ASSY	1	
2	44294-43H11-000	CUSHION,FUEL TANK COVER	4	
3	51831-30H10-000	CUSHION,COWLING BRACE	2	
4	09139-06190-000	BOLT (6X20)	2	
5	09148-05080-000	NUT	2	
6	09320-09016-000	CUSHION (9X18X9.5)	2	
7	03541-0512A-000	SCREW	4	
8	94435-23K00-000	CUSHION, HEADLAMP	2	

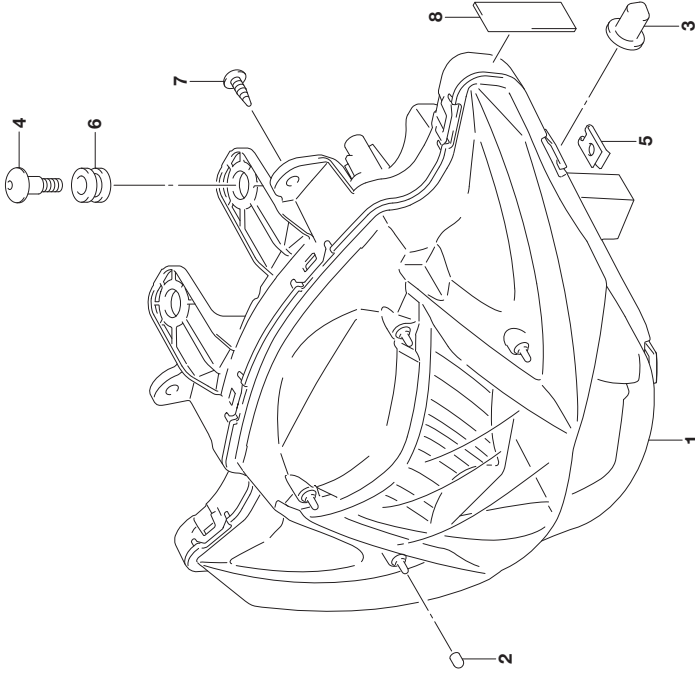


FIG. 334A

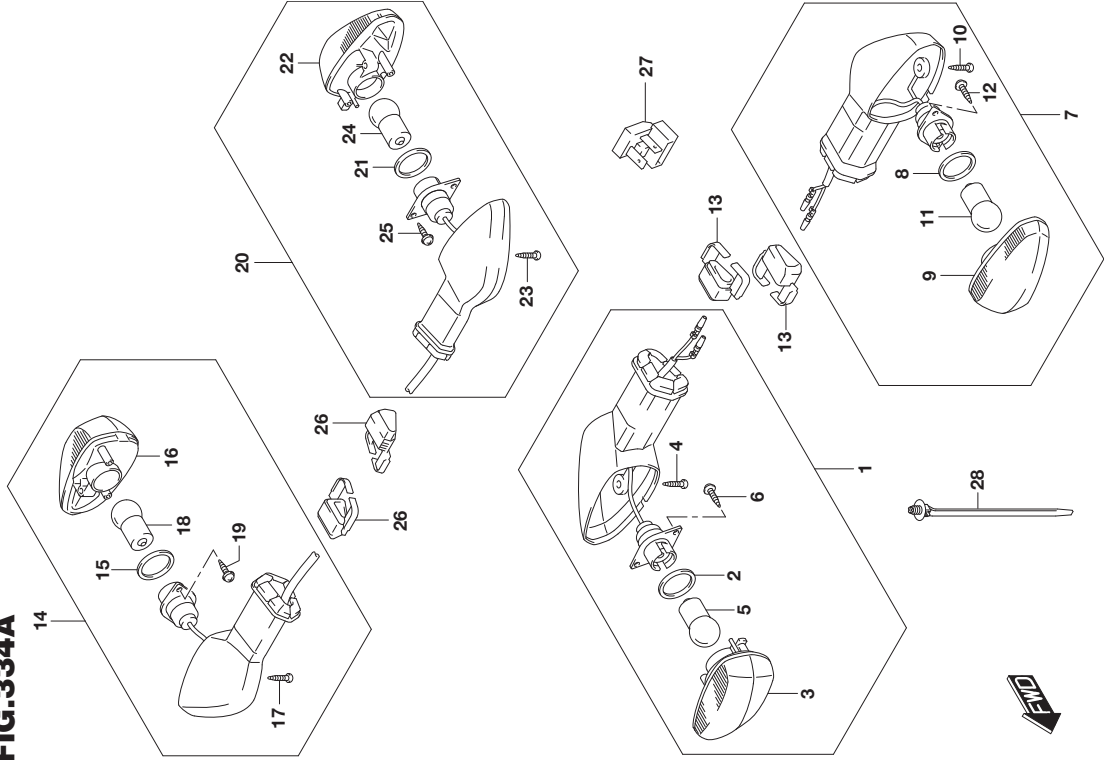
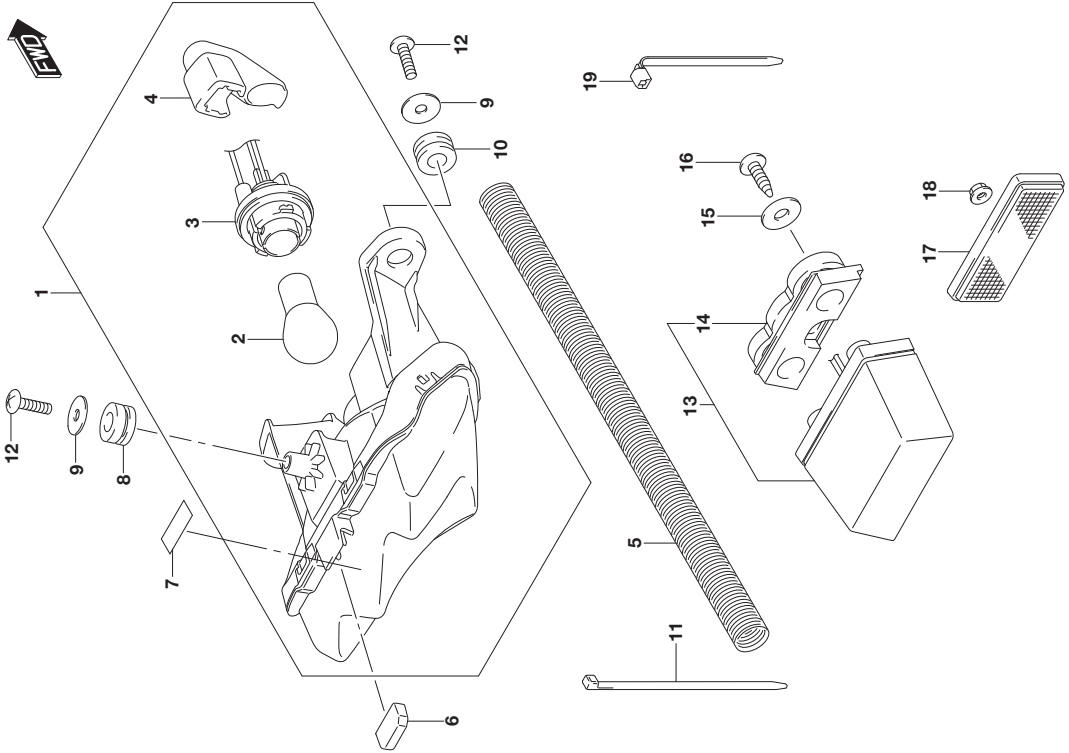


FIG. 334A (1-D-5) TURNSIGNAL LAMP

REF NO.	PART NO.	DESCRIPTION	QTY	REMARKS
1	35601-34J62-000	LAMP ASSY,FRONT TURNSIGNAL RH	1	
2	35613-34J00-000	.GASKET	1	
3	35614-34J11-000	.LAMP UNIT	1	
4	35623-34J30-000	.SCREW	1	
5	35623-34J40-000	.SCREW	2	
6	09471-12226-000	.BULB (12V10W)	1	
7	35602-34J62-000	LAMP ASSY,FRONT TURNSIGNAL LH	1	
8	35613-34J00-000	.GASKET	1	
9	35634-34J11-000	.LAMP UNIT	1	
10	35623-34J30-000	.SCREW	1	
11	35623-34J40-000	.SCREW	2	
12	09471-12226-000	.BULB (12V10W)	1	
13	35629-34J10-000	PLATE,REAR TURNSIGNAL	2	
14	35603-34J62-000	LAMP ASSY,REAR TURNSIGNAL RH	1	
15	35613-34J00-000	.GASKET	1	
16	35634-34J11-000	.LAMP UNIT	1	
17	35623-34J30-000	.SCREW	1	
18	35623-34J40-000	.SCREW	2	
19	09471-12226-000	.BULB (12V10W)	1	
20	35604-34J62-000	LAMP ASSY,REAR TURNSIGNAL LH	1	
21	35613-34J00-000	.GASKET	1	
22	35614-34J11-000	.LAMP UNIT	1	
23	35623-34J30-000	.SCREW	1	
24	35623-34J40-000	.SCREW	2	
25	09471-12226-000	.BULB (12V10W)	1	
26	35629-34J10-000	PLATE,REAR TURNSIGNAL	2	
27	38610-23K00-000	RELAY ASSY, TURNSIGNAL	1	
28	09407-17403-000	CLAMP (L-154)	1	

FIG. 339A

FIG.339A (1-D-6) REAR COMBINATION LAMP



REF NO.	PART NO.	DESCRIPTION	QTY	REMARKS
1	35710-23K00-000	LAMP ASSY, REAR COMBINATION	1	
2	09471-12083-000	BULB (12V21/5W)	1	
3	35718-23K00-000	.CORD ASSY	1	
4	35650-23K00-000	.TUBE BREATH	1	
5	35693-23K00-000	PROTECTOR TUBE	1	
6	35781-23K00-000	CUSHION, REAR COMB LAMP	1	
7	35781-23K10-000	CUSHION,REAR COMB LAMP	1	
8	35781-45H00-000	CUSHION,REAR COMB BRACKET	1	
9	09160-05050-000	WASHER (5.5X18X1)	3	
10	09320-09016-000	CUSHION (9X18X9.5)	2	
11	09407-11401-000	CLAMP (L.95)	1	
12	03541-0516A-000	SCREW	3	
13	35910-23K00-000	LAMP ASSY,LICENSE	1	
14	35913-23K00-000	.RUBBER	1	
15	09160-05050-000	WASHER (5.5X18X1)	2	
16	03541-0512A-000	SCREW	2	
17	35970-28G00-000	REFLECTOR ASSY,REAR	1	
18	08316-1005A-000	NUT	1	
19	36990-25G20-000	CLAMP (L.:165)	1	

FIG.350A

FIG.350A (1-D-7) WIRING HARNESS

REF NO.	PART NO.	DESCRIPTION	QTY	REMARKS
1	36601-23K60-000	HARNESS,WIRING	1	
2	09481-10101-000	FUSE (10A)	2	
3	09407-14403-000	CLAMP (L:125)	1	
4	37740-12K10-000	SWITCH ASSY,STOP LAMP	1	
5	43232-34J00-000	SPRING,STOP LAMP SWITCH	1	
6	38500-23K11-000	HORN ASSY	1	
7	01550-0612A-000	BOLT	1	
8	38860-33J00-000	RELAY	1	MAIN
9	38860-33J00-000	RELAY	1	FAN MOTOR
10	09407-17403-000	CLAMP (L:154)	3	
11	09407-14407-000	CLAMP (L:145)	1	
12	09404-06429-000	CLAMP (L:45)	1	
13	36852-28L00-000	WIRE,FAN MOTOR LEAD	1	

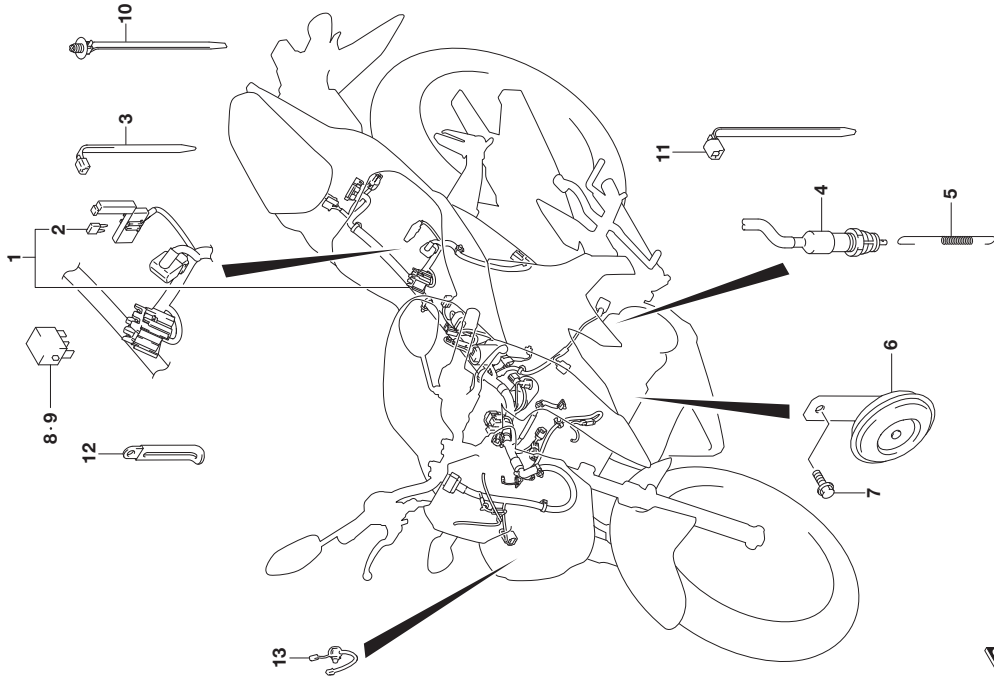


FIG.352A

FIG.352A (1-D-8) LOCK SET

REF NO.	PART NO.	DESCRIPTION	QTY	REMARKS
1	37101-23822-000	LOCK SET	1	
2	37100-23K02-000	.LOCK ASSY,STEERING	1	
3	37152-23KB0-000	BOLT,STEERING LOCK	2	
4	09407-17403-000	CLAMP (L:154)	1	

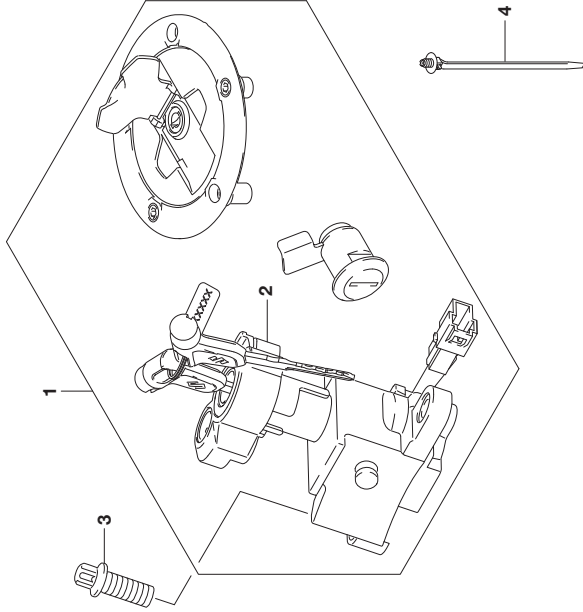
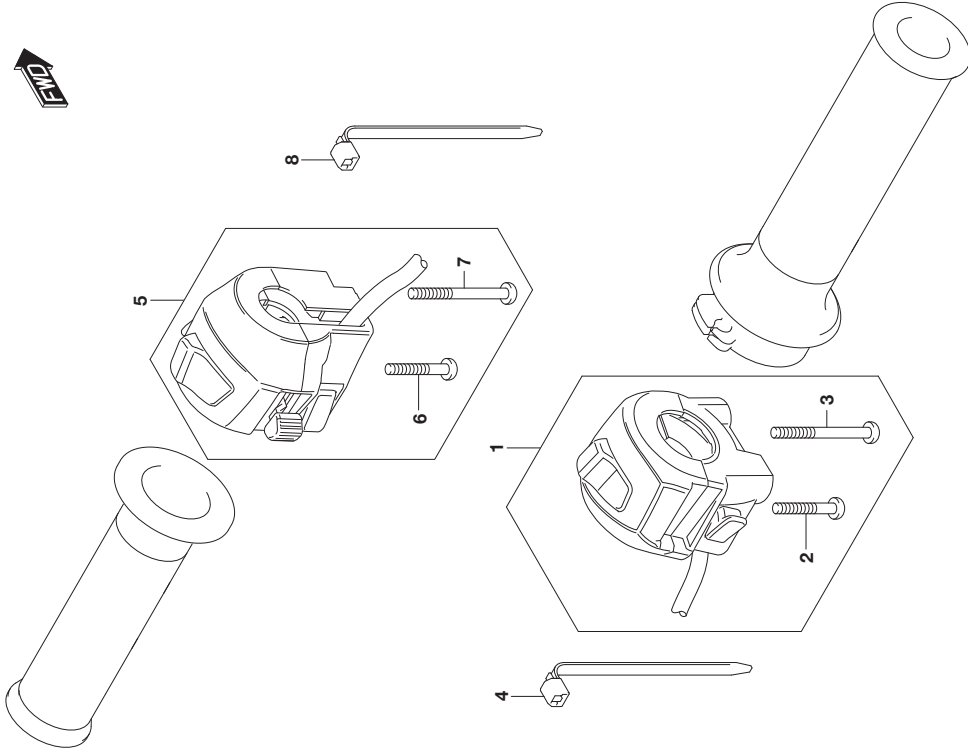


FIG.355A

FIG.355A (1-D-9) HANDLE SWITCH



REF NO.	PART NO.	DESCRIPTION	QTY	REMARKS
1	37200-23K40-000	SWITCH ASSY, HANDLE,R	1	
2	02112-0530B-000	.SCREW	1	
3	02112-0550B-000	.SCREW	1	
4	09407-14407-000	CLAMP (L.:145)	1	
5	37400-23K20-000	SWITCH ASSY, HANDLE LH	1	
6	02112-0525B-000	.SCREW	1	
7	02112-0540B-000	.SCREW	1	
8	09407-14407-000	CLAMP (L.:145)	1	

FIG.401A

FIG.401A (1-D-10) FRAME

REF NO.	PART NO.	DESCRIPTION	QTY	REMARKS
1	41100-23KC0-000	FRAME	1	
2	35781-23K10-000	CUSHION,REAR COMB LAMP	1	

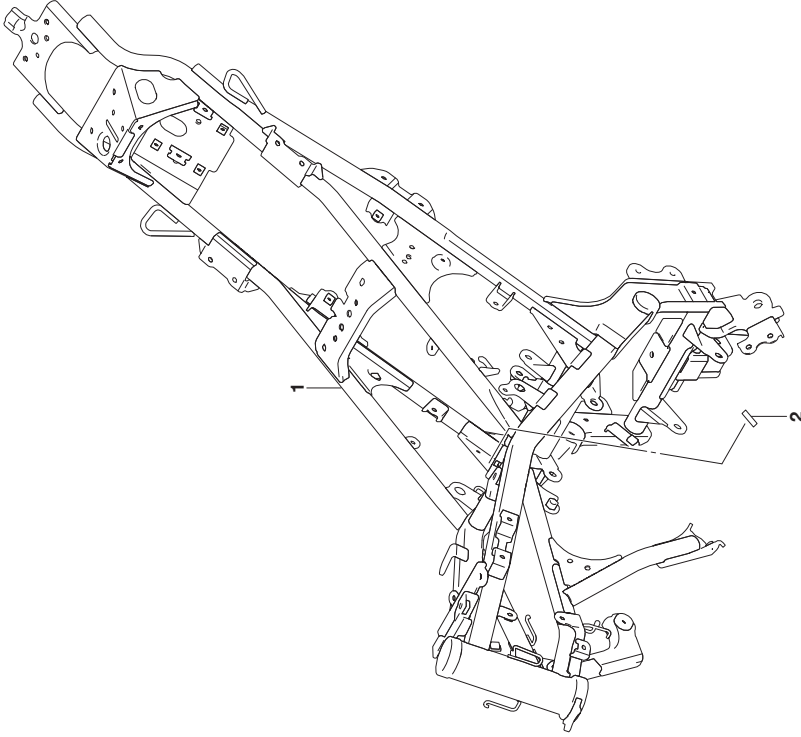


FIG.407A

FIG.407A (1-D-11) STAND

REF.NO.	PART NO.	DESCRIPTION	QTY	REMARKS
1	42100-23K00-000	STAND, CENTER	1	
2	42211-25G00-000	SHAFT, CENTER STAND	1	
3	04111-3025A-000	PIN	1	
4	08322-0116A-000	WASHER	1	
5	42272-09J00-000	CUSHION,CENTER STAND	1	
6	42241-23K00-000	SPRING,CENTER STAND	1	
7	42310-23K00-000	STAND,PROP	1	
8	09443-14077-000	SPRING	1	
9	42341-40J00-000	BOLT,PROP STAND	1	
10	08319-3110A-000	NUT	1	
11	43110-23K01-000	PEDAL,BRAKE	1	
12	09160-18022-000	WASHER (18X24X1.0)	1	
13	09443-11033-000	SPRING	1	

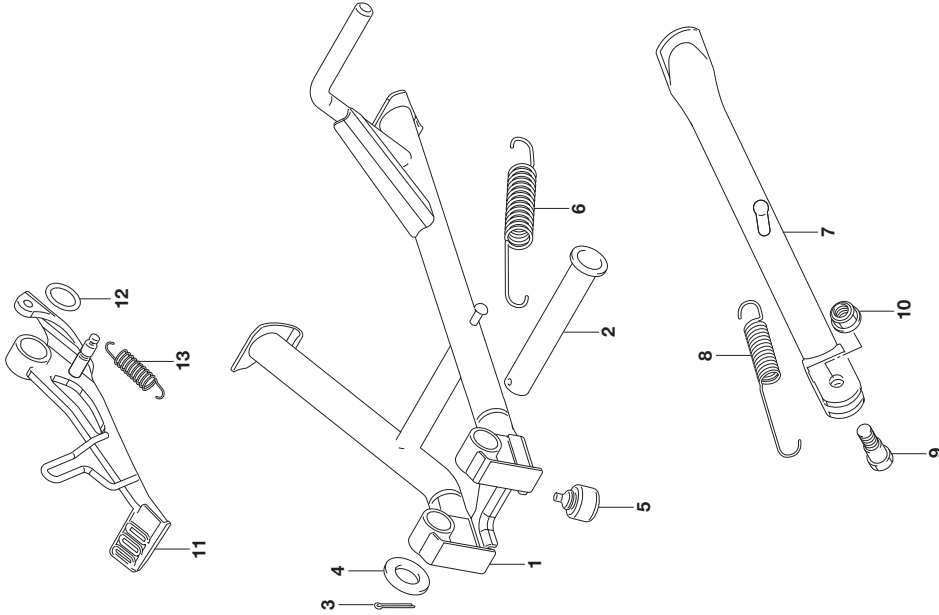


FIG.415A

FIG.415A (1-D-12) FOOTREST

REF.NO.	PART NO.	DESCRIPTION	QTY	REMARKS
1	43501-23K10-000	FOOTREST ASSY, FRONT RH	1	
2	43511-23K00-000	BRACKET,FR FOOTREST RH	1	
3	43516-35F10-000	.BAR,FRONT FOOTREST RH	1	
4	43576-48B02-000	.BOLT,BANK SENSOR	1	
5	09208-08018-000	.PIN	1	
6	09448-14037-000	.SPRING	1	
7	08332-1106A-000	E-RING	1	
8	43530-23K00-000	.HOLDER,FOOTREST	1	
9	09106-10064-000	.BOLT (10X28)	1	
10	43502-23K00-000	FOOTREST ASSY,FRONT LH	1	
11	43521-23K00-000	BRACKET,FR FOOTREST LH	1	
12	43526-35F10-000	.BAR,FRONT FOOTREST LH	1	
13	43576-48B02-000	.BOLT,BANK SENSOR	1	
14	09208-08018-000	.PIN	1	
15	09448-14037-000	.SPRING	1	
16	08332-1106A-000	E-RING	1	
17	43530-23K00-000	.HOLDER,FOOTREST	1	
18	09106-10064-000	.BOLT (10X28)	1	
19	09106-08196-000	BOLT (8X23)	4	
20	43611-23K01-000	BAR,PILLION FOOTREST RH	1	
21	43621-23K01-000	BAR,PILLION FOOTREST LH	1	
22	09208-08020-000	PIN	2	
23	06111-07004-000	BALL	2	
24	09440-05005-000	SPRING	2	
25	43816-01H02-000	PLATE,PILLION FOOTREST	2	
26	08332-1106A-000	E-RING	2	
27	43810-23K30-000	BRACKET,PILLION FTR,RH	1	
28	43820-23K30-000	BRACKET,PILLION FTR,LH	1	
29	07130-08330A-000	BOLT	4	

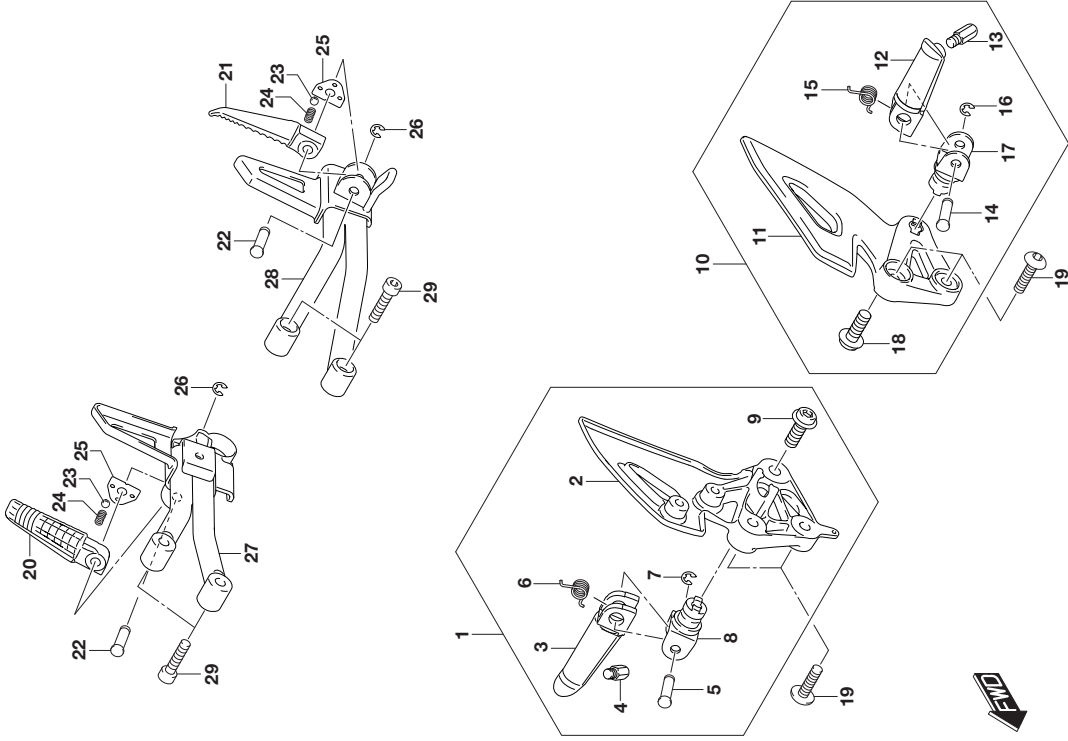


FIG.420A

FIG.420A (1-D-13) FUEL TANK

REF.NO.	PART NO.	DESCRIPTION	QTY	REMARKS
1-1	44100-23KR0-YVU	TANK ASSY,FUEL (BLACK)	1	BODY COLOR:YSF
1-2	44100-23KR0-6PX	TANK ASSY,FUEL (BLACK)	1	BODY COLOR:YVU
1-3	44100-23KR0-4DX	TANK ASSY,FUEL (BLACK)	1	BODY COLOR:ATZ
2-1	68115-23K70-YSF	.TAPE,FUEL TANK,R (BLUE)	1	BODY COLOR:YSF
2-2	68115-23K70-YVU	.TAPE,FUEL TANK,R (BLACK)	1	BODY COLOR:YVU
2-3	68115-23K70-ATZ	.TAPE,FUEL TANK,R (YELLOW,WHIT E)	1	BODY COLOR:ATZ
3-1	68125-23K70-YSF	.TAPE,FUEL TANK,L (BLUE)	1	BODY COLOR:YSF
3-2	68125-23K70-YVU	.TAPE,FUEL TANK,L (BLACK)	1	BODY COLOR:YVU
3-3	68125-23K70-ATZ	.TAPE,FUEL TANK,L (YELLOW,WHIT E)	1	BODY COLOR:ATZ
4	44200-23870-000	CAP SET, FUEL TANK	1	
5	44244-23K00-000	BOL.T,FUEL TANK FILLER CAP (5X2 0)	3	
6	01550-0625A-000	BOLT	2	
7	47130-23KA0-000	BRACKET,FRM FR INR COVER	1	
8	44511-16G01-000	CUSHION,FUEL TANK FRONT	2	
9	44512-16G00-000	SPACER,FUEL TANK,FR	2	
10	44542-48H01-000	CUSHION,FUEL TANK RR BRKT	1	
11	01550-0635A-000	BOLT	2	
12	44146-48H00-000	WASHER,FUEL TANK REAR BRKT	1	
13	44541-23K00-000	CUSHION,FUEL TANK RR UPR	2	
14	44544-05J00-000	SPACER,REAR	2	
15	44542-23K10-000	CUSHION,FUEL TANK RR LWR	1	
16	44542-23K00-000	CUSHION,FUEL TANK SIDE	2	
17	44179-23KA0-000	BRACKET,FUEL TANK COVER RH	1	
18	44189-23KA0-000	BRACKET,FUEL TANK COVER LH	1	
19	02142-0610A-000	SCREW	2	
20	44572-23KA0-000	FASTENER (13X33)	2	
21	44183-23K00-000	CUSHION,FUEL TANK SIDE COVER	2	
22	44294-23K00-000	CUSHION,FUEL TANK COVER RR	2	
23	94478-14J00-000	CUSHION,UNDER COWL RH	2	
24	94478-14J00-000	CUSHION,UNDER COWL RH	2	
25	09352-12163-010	HOSE, BRTHR CLAMP	1	
26	44424-23K30-000	HOSE,FUEL TANK BRTHR NO.1	1	

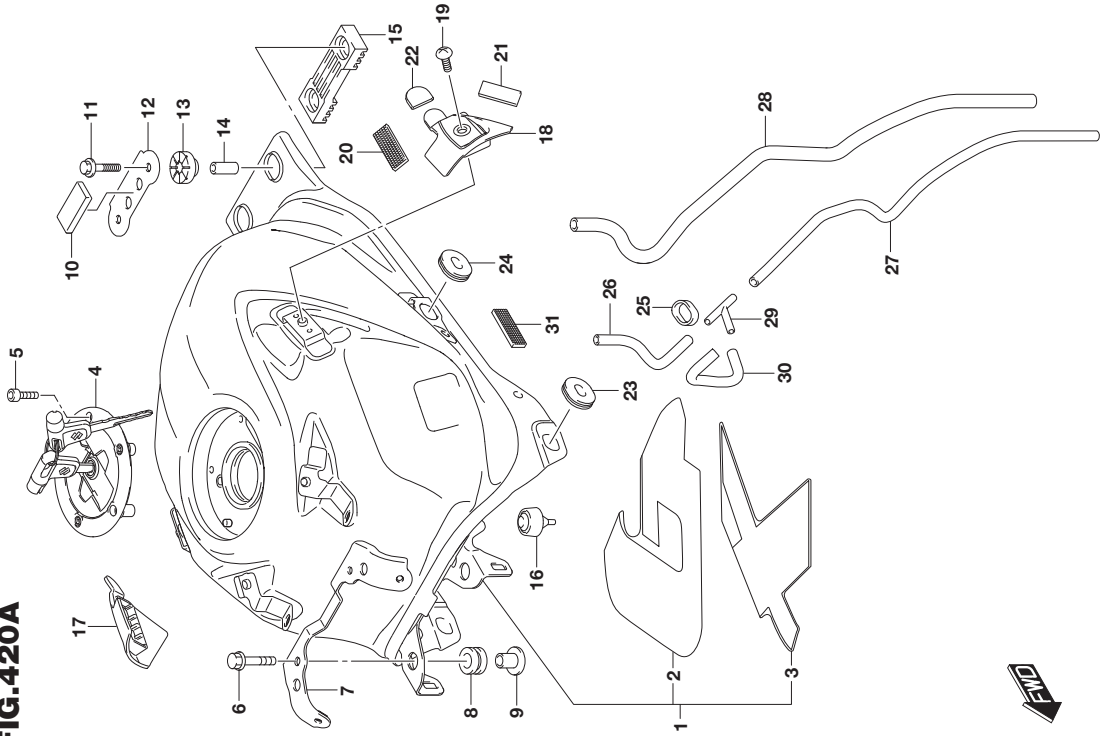


FIG.420A

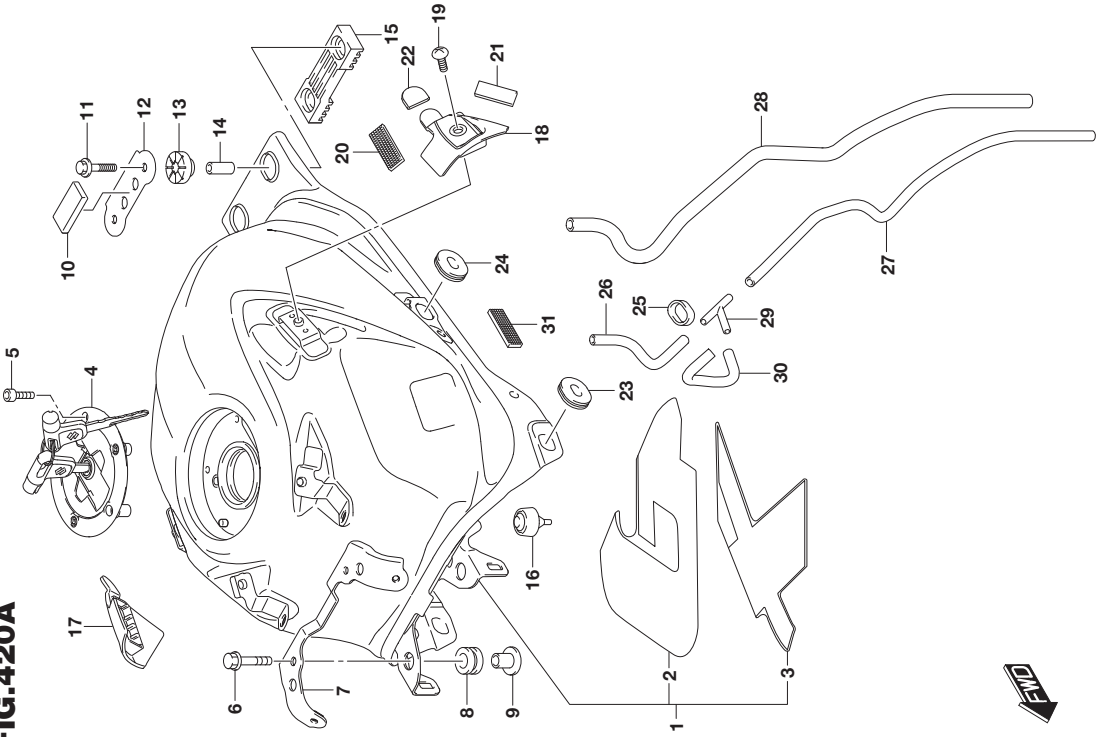


FIG.420A (1-D-14) FUEL_TANK

REF NO.	PART NO.	DESCRIPTION	QTY	REMARKS
27	44424-23K40-000	HOSE,FUEL TANK BRTHR NO.2	1	
28	44423-23K10-000	HOSE,FUEL TANK WATER DRAIN	1	
29	09367-06007-000	3 WAY	1	
30	44424-23K50-000	HOSE, FUEL TANK BRTHR NO.3	1	
31	44572-23KA0-000	FASTENER (13X33)	2	



FIG.423A

FIG.423A (1-D-15) FUEL TANK COVER

REF.NO.	PART NO.	DESCRIPTION	QTY	REMARKS
1-1	44292-23KA0-YSF	COVER,FUEL TANK RH (BLUE)	1	BODY COLOR:YSF
1-2	44292-23KA0-YVU	COVER,FUEL TANK RH (BLACK)	1	BODY COLOR:YVU
1-3	44292-23KA0-YUH	COVER,FUEL TANK,R (WHITE)	1	BODY COLOR:ATZ
2-1	44293-23KA0-YSF	COVER,FUEL TANK LH (BLUE)	1	BODY COLOR:YSF
2-2	44293-23KA0-YVU	COVER,FUEL TANK LH (BLACK)	1	BODY COLOR:YVU
2-3	44293-23KA0-YUH	COVER,FUEL TANK,L (WHITE)	1	BODY COLOR:ATZ
3	44291-23KA0-000	COVER,FUEL TANK CENTER	1	
4	44295-23K00-000	SCREW,FUEL TANK COVER	2	
5	09320-06027-000	CUSHION (6.5X14X6)	2	
6	09409-06341-000	CLIP (5.9X20.5)	2	
7	09409-08326-000	CLIP (10.5X14.3)	2	
8	44572-23KA0-000	FASTENER (13X33)	2	
9	44277-23K00-000	CUSHION,FUEL TANK SIDE COVER	2	
10	94478-14J00-000	CUSHION,UNDER COWL RH	2	
11	44572-23KA0-000	FASTENER (13X33)	2	
12-1	68182-12K20-BQJ	TAPE,"SUZUKI" (WHITE/BLUE)	2	BODY COLOR:YSF
12-2	68182-12K20-B53	TAPE,"SUZUKI" (SILVER/BLACK)	2	BODY COLOR:YVU
12-3	68182-12K20-ADT	TAPE,"SUZUKI" (BLACK,WHITE)	2	BODY COLOR:ATZ

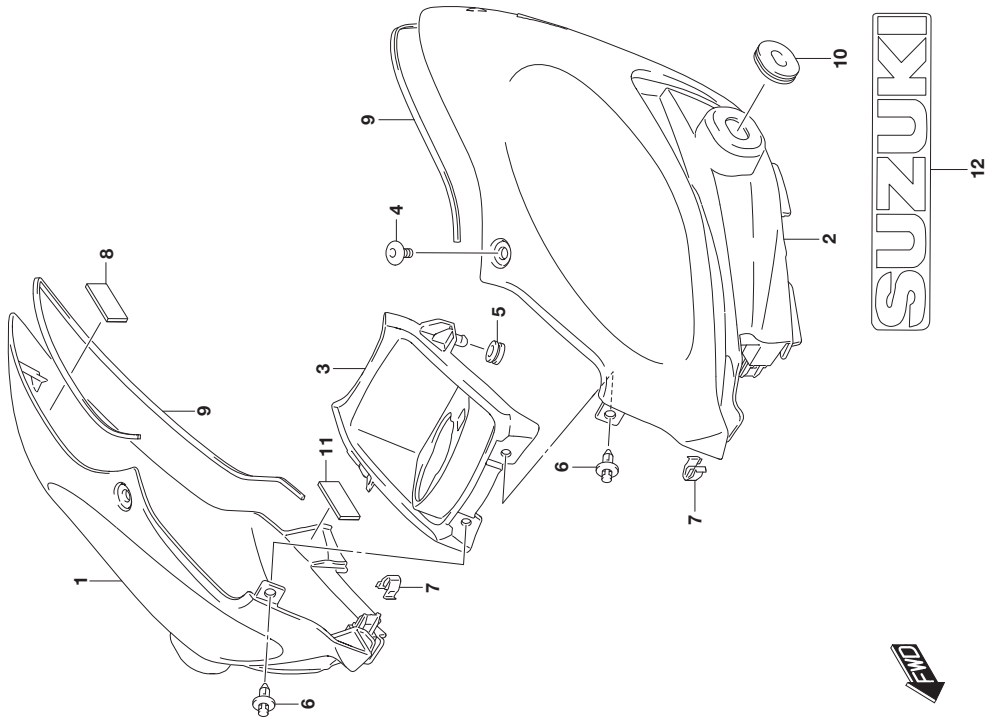


FIG.424A

FIG.424A (1-E-2) FUEL TANK SIDE COVER

REF.NO.	PART NO.	DESCRIPTION	QTY	REMARKS
1-1	47121-23KA0-YSF	COVER, FRAME FRONT RH (BLUE)	1	BODY COLOR:YSF
1-2	47121-23KA0-YVU	COVER,FRAME FRONT,R (BLACK)	1	BODY COLOR:YVU
1-3	47121-23KA0-YUH	COVER,FRAME FRONT,R (WHITE)	1	BODY COLOR:ATZ
2	47131-23KA0-000	COVER,FRAME FRONT INNER,RH	1	
3	47141-23KA0-000	COVER,FRAME FRONT MIDDLE,RH	1	
4	47151-23KA0-000	COVER,FRAME FRONT LOWER,RH	1	
5-1	47221-23KA0-YSF	COVER, FRAME FRONT LH (BLUE)	1	BODY COLOR:YSF
5-2	47221-23KA0-YVU	COVER,FRAME FRONT,L (BLACK)	1	BODY COLOR:YVU
5-3	47221-23KA0-YUH	COVER,FRAME FRONT,L (WHITE)	1	BODY COLOR:ATZ
6	47231-23KA0-000	COVER,FRAME FRONT INNER,LH	1	
7	47241-23KA0-000	COVER,FRAME FRONT MIDDLE,LH	1	
8	47251-23KA0-000	COVER,FRAME FRONT LOWER,LH	1	
9	44514-23K00-000	SCREW,FRAME COVER FRONT	4	
10	94478-14J00-000	CUSHION,UNDER COWL RH	2	
11	09148-04019-000	NUT	2	
12	03541-0416A-000	SCREW	6	
13	03541-0416A-000	SCREW	2	
14	03541-0416B-000	SCREW	4	
15	68132-23K30-291	TAPE,FRM COV FR NO.1,R (BLACK)	1	
16	68142-23K30-291	TAPE,FRM COV FR NO.1,L (BLACK)	1	
17-1	68137-23K70-YSF	TAPE,FRAME COV FR NO.2,R (BLUE	1	BODY COLOR:YSF
17-2	68137-23K70-YVU	TAPE,FRAME COV FR NO.2,R (BLAC	1	BODY COLOR:YVU
17-3	68137-23K70-ATZ	TAPE,FRAME COV FR NO.2,R (YELL	1	BODY COLOR:ATZ
18-1	68147-23K70-YSF	TAPE,FRAME COV FR NO.2,L (BLUE	1	BODY COLOR:YSF
18-2	68147-23K70-YVU	TAPE,FRAME COV FR NO.2,L (BLAC	1	BODY COLOR:YVU
18-3	68147-23K70-ATZ	TAPE,FRAME COV FR NO.2,L (YELL	1	BODY COLOR:ATZ
19-1	68138-23K20-YSF	TAPE,FRAME COV FR NO.3,R (BLUE	1	BODY COLOR:YSF
19-2	68138-23K20-YVU	TAPE,FRAME COV FR NO.3,R (BLAC	1	BODY COLOR:YVU

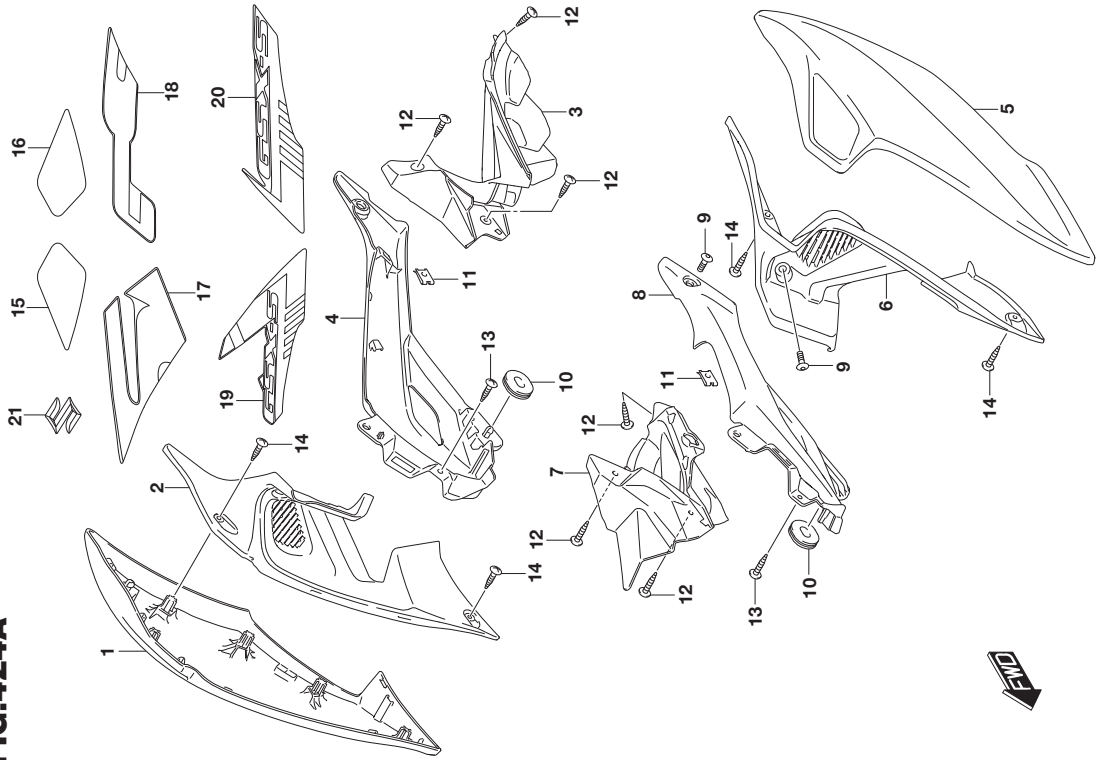
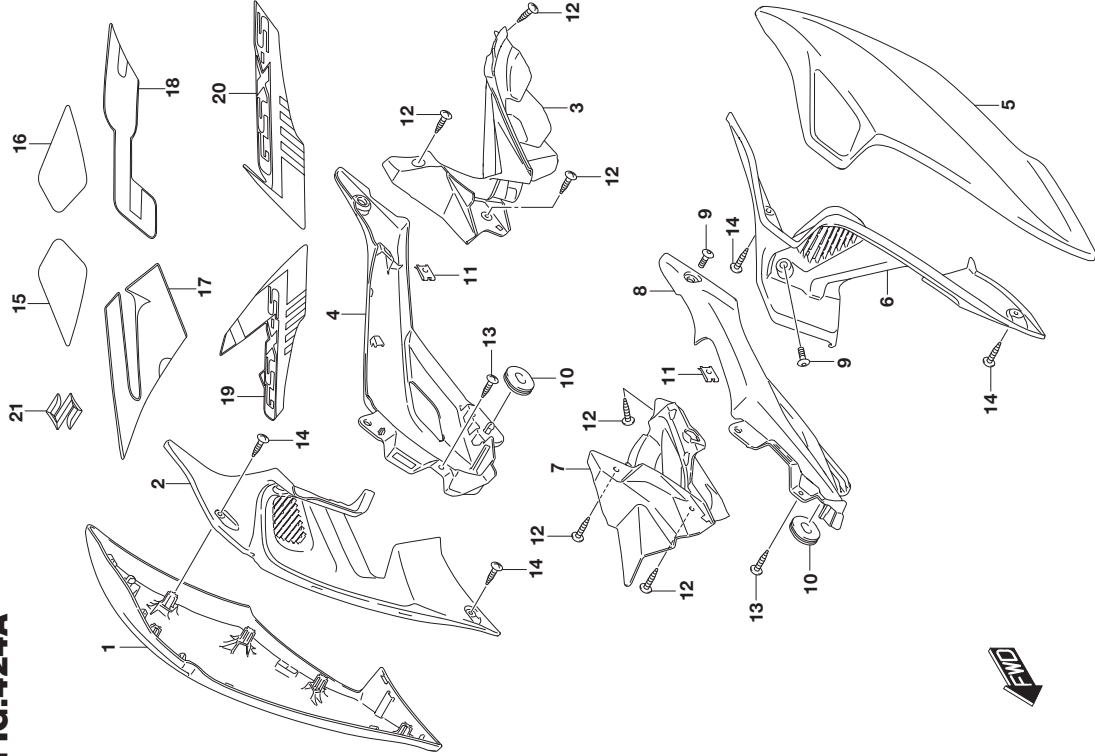


FIG.424A

FIG.424A (1-E-3) FUEL TANK SIDE COVER



REF NO.	PART NO.	DESCRIPTION	QTY	REMARKS
19-3	68138-23K20-ATZ	TAPE,FRAME COV FR NO.3.R (YELL OW,WHITE) K)	1	BODY COLOR:ATZ
20-1	68148-23K20-YSF	TAPE,FRAME COV FR NO.3.L (BLUE)	1	BODY COLOR:YSF
20-2	68148-23K20-YVU	TAPE,FRAME COV FR NO.3.L (BLAC K)	1	BODY COLOR:YVU
20-3	68148-23K20-ATZ	TAPE,FRAME COV FR NO.3.L (YELL OW,WHITE)	1	BODY COLOR:ATZ
21	68641-23K10-000	EMBLEMS	2	

FIG.445A

FIG.445A (1-E-4) FRAME COVER

REF.NO.	PART NO.	DESCRIPTION	QTY	REMARKS
1	47111-23K00-291	COVER,FRAME RH (BLACK)	1	
2	47160-23KA0-000	BRACKET,FRAME COVER FR RH	1	
3	47211-23K00-291	COVER,FRAME LH (BLACK)	1	
4	44513-23K00-000	SCREW,FRAME COVER	6	
5	47260-23KA0-000	BRACKET,FRAME COVER FR LH	1	
6-1	47311-23K00-YSF	COVER,FRAME UPPER,R (BLUE)	1	BODY COLOR:YSF
6-2	47311-23K00-YVU	COVER,FRAME UPPER,RH (BLACK)	1	BODY COLOR:YVU
6-3	47311-23K00-YUH	COVER,FRAME UPPER,RH (WHITE)	1	BODY COLOR:ATZ
7	47312-37H10-000	CUSHION (10X24X13)	2	
8-1	47411-23K00-YSF	COVER,FRAME UPPER,L (BLUE)	1	BODY COLOR:YSF
8-2	47411-23K00-YVU	COVER,FRAME UPPER,LH (BLACK)	1	BODY COLOR:YVU
8-3	47411-23K00-YUH	COVER,FRAME UPPER,LH (WHITE)	1	BODY COLOR:ATZ
9-1	47511-23K00-YSF	COVER,FRAME UPPER,CTR (BLUE)	1	BODY COLOR:YSF
9-2	47511-23K00-YVU	COVER,FRAME UPPER,CTR (BLACK)	1	BODY COLOR:YVU
9-3	47511-23K00-YUH	COVER,FRAME UPPER,CTR (WHITE)	1	BODY COLOR:ATZ
10	09136-06105-000	SCREW (6X20)	2	
11	09148-04019-000	NUT	6	
12	09148-04019-000	NUT	2	
13	09148-05058-000	NUT	2	
14	09180-06283-000	SPACER (6.5X10X7)	2	
15	09320-08018-000	CUSHION (8X26X7)	2	
16	09320-09016-000	CUSHION (9X18X9.5)	2	
17	09409-06341-000	CLIP (5.9X20.5)	2	
18	09409-06341-000	CLIP (5.9X20.5)	4	
19	01550-0612A-000	BOLT	1	
20	01550-0612A-000	BOLT	2	
21	03541-0412A-000	SCREW	2	
22	03541-0412A-000	SCREW	2	
23	47112-23K00-000	TAPE,FRAME COVER	6	
24	47117-10J00-000	CUSHION,FRAME COVER	2	
25-1	68131-23K80-YSF	EMBLEM,"150" R (BLUE)	1	BODY COLOR:YSF
25-2	68131-23K80-YVU	EMBLEM,"150" R (BLACK)	1	BODY COLOR:YVU
25-3	68131-23K80-ATZ	EMBLEM,"150" R (YELLOW,WHITE)	1	BODY COLOR:ATZ

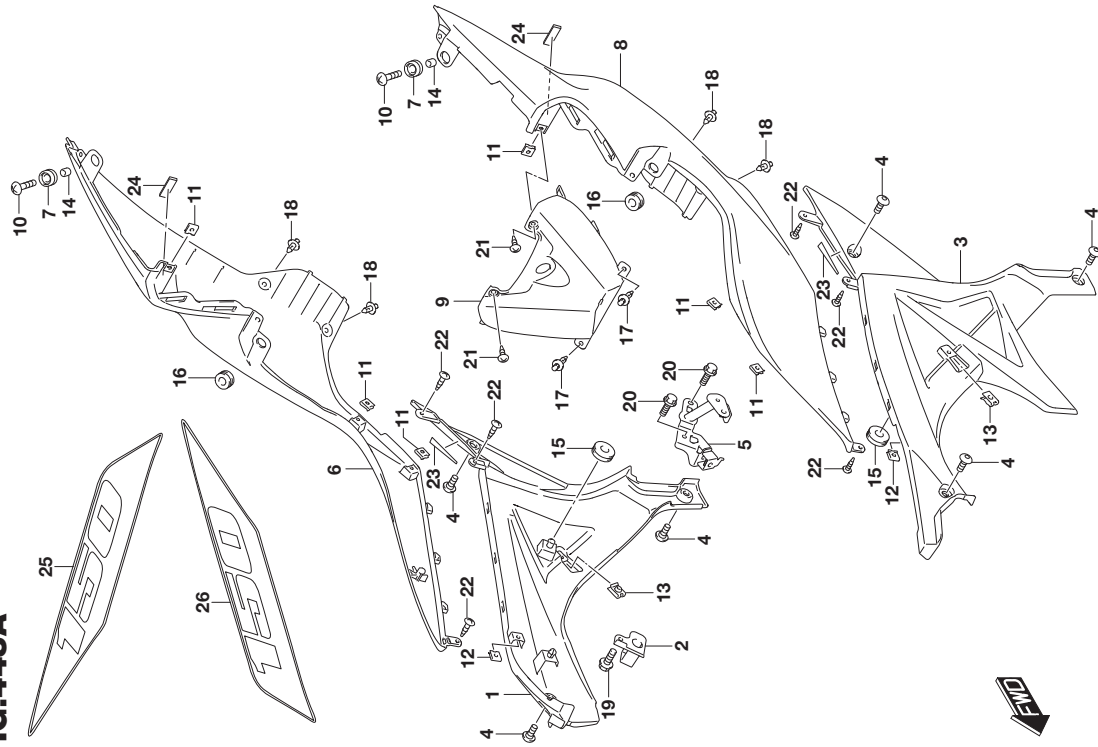


FIG.445A

FIG.445A (1-E-5) FRAME COVER

REF NO.	PART NO.	DESCRIPTION	QTY	REMARKS
26-1	68141-23K80-YSF	EMBLEM,"150"L (BLUE)	1	BODY COLOR:YSF
26-2	68141-23K80-YVU	EMBLEM,"150"L (BLACK)	1	BODY COLOR:YVU
26-3	68141-23K80-ATZ	EMBLEM,"150"L (YELLOW,WHITE)	1	BODY COLOR:ATZ

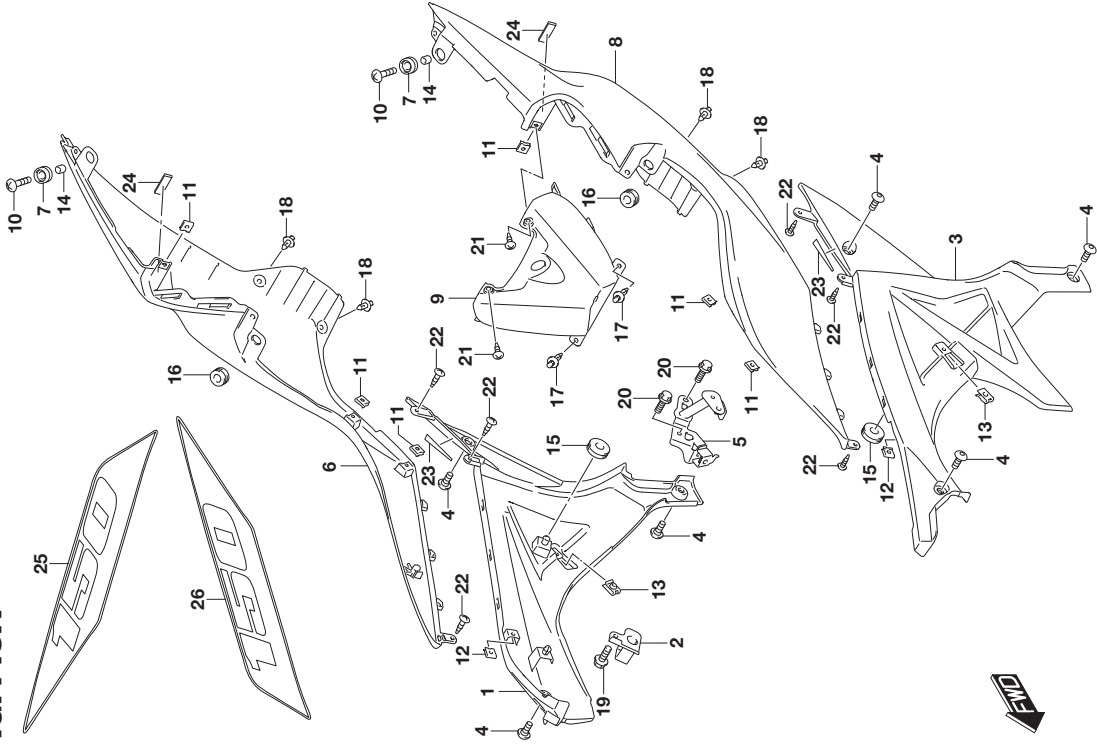


FIG.451A

FIG.451A (1-E-6) HEADLAMP HOUSING

REF.NO.	PART NO.	DESCRIPTION	QTY	REMARKS
1	51811-23KA0-YVU	HOUSING,HEADLAMP,R (BLACK)	1	
2	51812-23KA0-YVU	HOUSING,HEADLAMP,L (BLACK)	1	
3	51813-23KB0-000	HOUSING, HEADLAMP UPPER	1	
4	44514-23K00-000	SCREW,FRAME COVER FRONT	2	
5	51815-23KA0-000	COVER, METER	1	
6	51850-23KA0-000	BRACE, HEADLAMP HOUSING	1	
7	09148-05080-000	NUT	2	
8	09320-08018-000	CUSHION (8X26X7)	1	
9	09409-06341-000	CLIP (5.9X20.5)	2	
10	01550-0616A-000	BOLT	4	
11	03541-0512A-000	SCREW	2	
12	09409-06341-000	CLIP (5.9X20.5)	2	
13-1	68285-23K50-YSF	TAPE,HEADLAMP COVER,R (BLUE)	1	BODY COLOR:YSF
13-2	68285-23K50-YVU	TAPE,HEADLAMP COVER,R (BLACK)	1	BODY COLOR:YVU
13-3	68285-23K50-ATZ	TAPE,HEADLAMP COVER,R (YELLOW, WHITE)	1	BODY COLOR:ATZ
14-1	68295-23K50-YSF	TAPE,HEADLAMP COVER,L (BLUE)	1	BODY COLOR:YSF
14-2	68295-23K50-YVU	TAPE,HEADLAMP COVER,L (BLACK)	1	BODY COLOR:YVU
14-3	68295-23K50-ATZ	TAPE,HEADLAMP COVER,L (YELLOW, WHITE)	1	BODY COLOR:ATZ

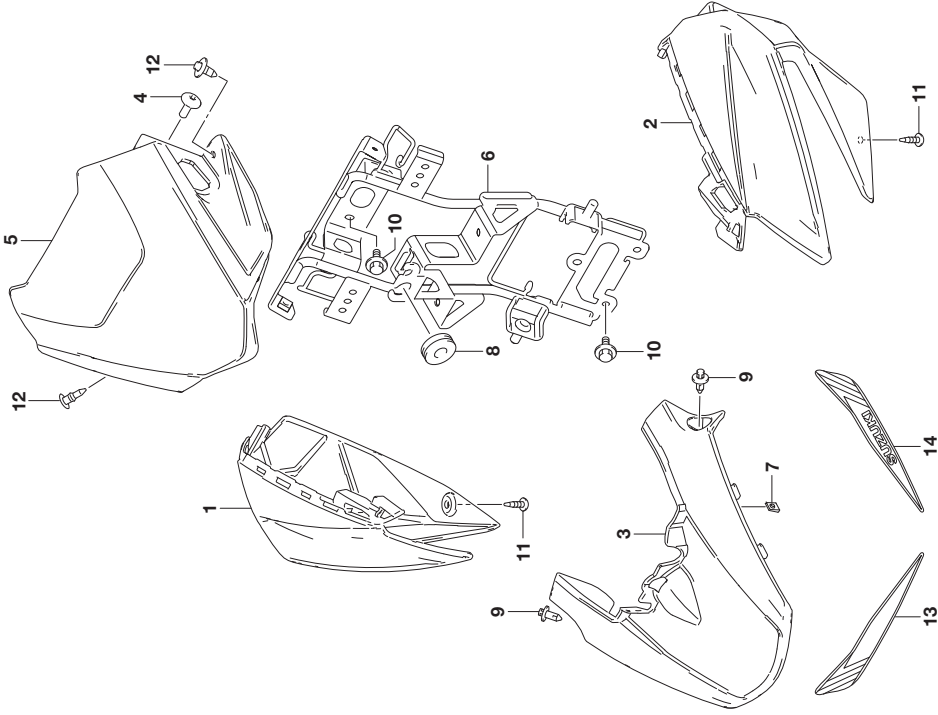


FIG.460A

FIG.460A (1-E-7) FRONT FENDER

REF NO.	PART NO.	DESCRIPTION	QTY	REMARKS
1	53111-23K00-YVU	FENDER,FRONT (BLACK)	1	
2	47161-23J00-000	CUSHION (10X22X7)	4	
3	53121-23K00-000	SCREW,FR FENDER FR	2	
4	53122-23K00-000	SCREW,FR FENDER RR	2	
5	53275-34J00-000	SPACER,FRONT FENDER	4	
6	09160-06060-000	WASHER (6.5X20X1.2)	2	
7	08316-1006A-000	NUT	2	
8	35950-22J10-000	REFLECTOR ASSY, FRONT SIDE	2	
9	35956-23K00-000	BRACKET, FRONT SIDE RR RH	1	
10	35957-23K00-000	BRACKET, FRONT SIDE RR LH	1	
11	08316-1005A-000	NUT	2	

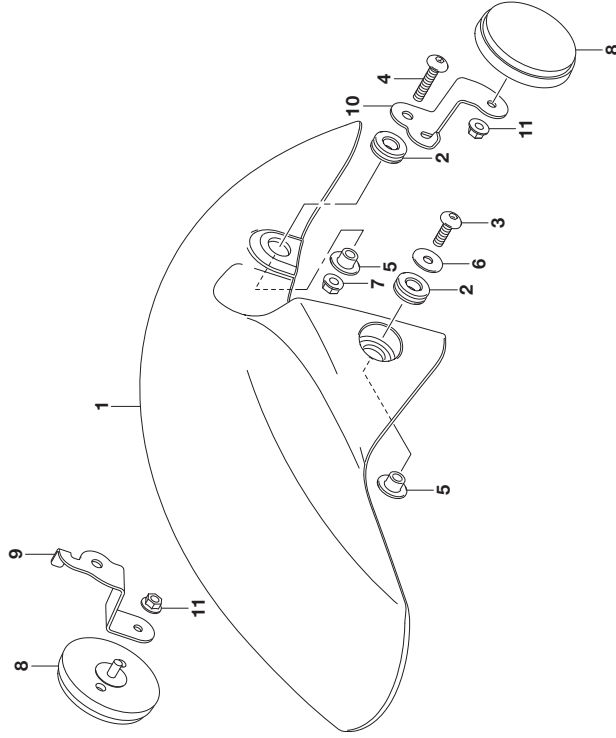


FIG.462A

FIG.462A (1-E-8) HANDLEBAR

REF.NO.	PART NO.	DESCRIPTION	QTY	REMARKS
1	56111-23K20-000	HANDLEBAR	1	
2	56276-22J00-000	BALANCER,HANDLEBAR INNER	2	
3	56272-10G01-000	EXPANDER,HANDLE BALANCER	2	
4	56277-32J00-000	SCREW,HDL BALANCER	2	
5	56278-32J00-000	BALANCER,HANDLEBAR	2	
6	56272-22J00-000	EXPANDER,HANDLE BALANCER	2	
7	56273-10G10-000	NUT, HANDLE BALANCER	2	
8	56500-23K00-000	MIRROR ASSY,REAR VIEW RH	1	
9	56600-23K00-000	MIRROR ASSY,REAR VIEW LH	1	
10	58200-23K01-000	CABLE ASSY,CLUTCH	1	
11	58300-23K40-000	CABLE ASSY,THROTTLE NO.1	1	
12	58300-23K50-000	CABLE ASSY,THROTTLE NO.2	1	
13	58634-12K00-000	STOPPER,CLUTCH CABLE	1	
14	02112-0512A-000	SCREW	1	
15	09407-14403-000	CLAMP (L:125)	1	

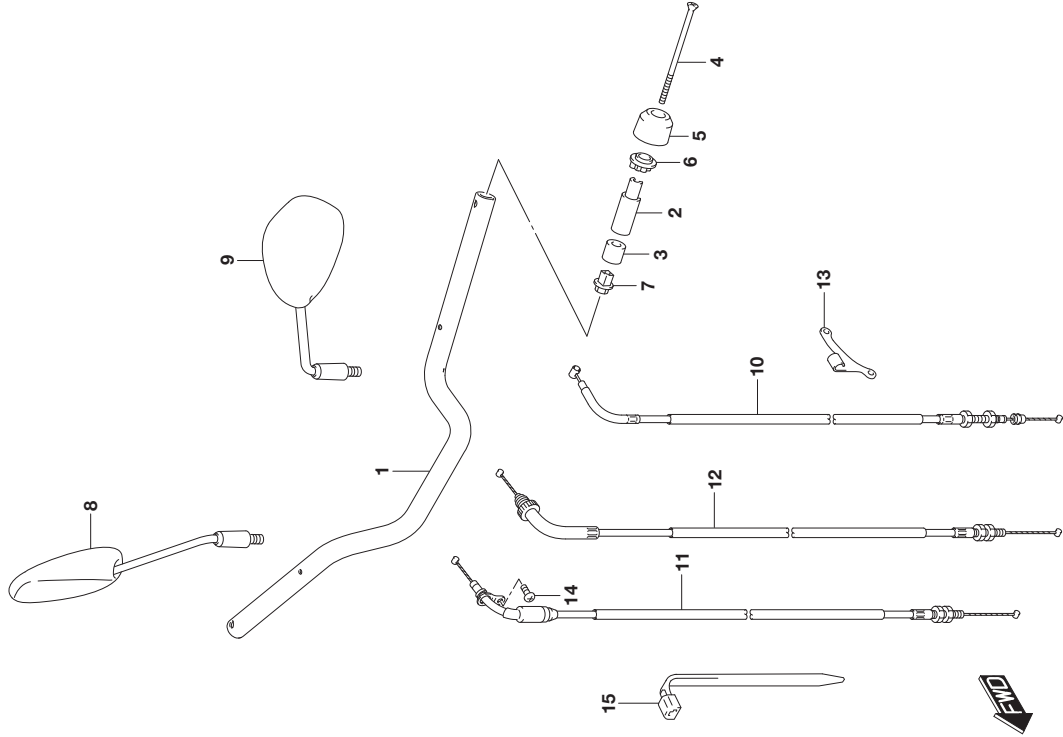


FIG.467A

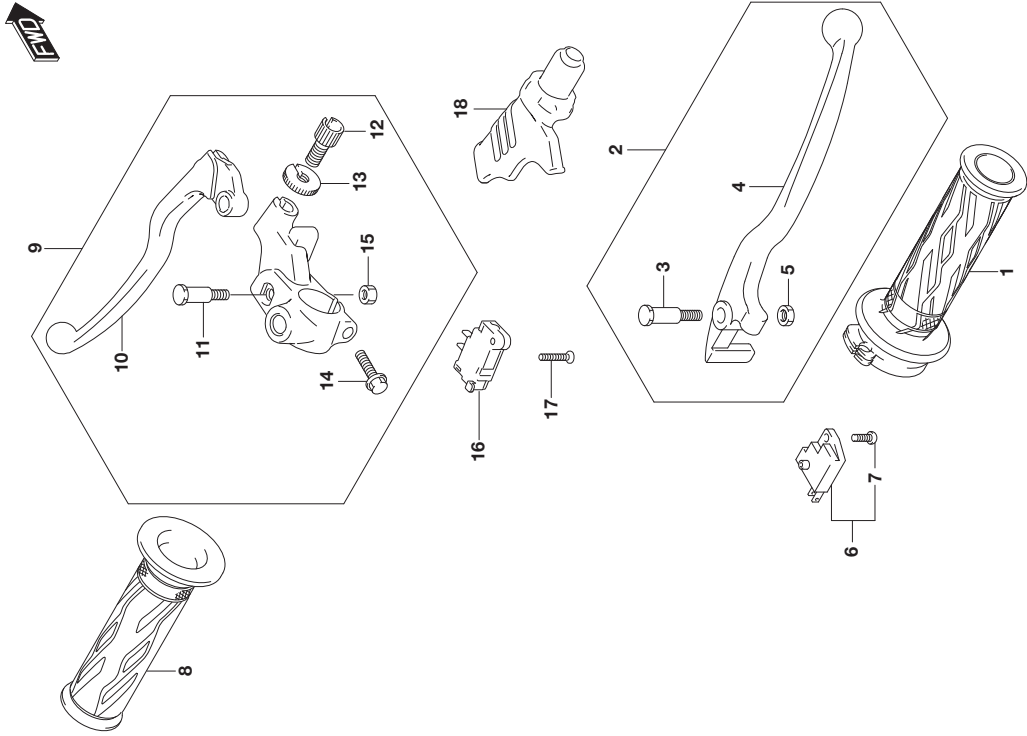


FIG.467A (1-E-9) HANDLE LEVER

REF NO.	PART NO.	DESCRIPTION	QTY	REMARKS
1	57110-23K01-000	GRIP,THROTTLE	1	
2	57300-30H21-000	LEVER ASSY,BRAKE	1	
3	57431-30H20-000	.BOLT,BRAKE LEVER PIVOT	1	
4	57421-30H10-000	LEVER,BRAKE	1	
5	57433-30H10-000	.NUT,BRAKE LEVER PIVOT	1	
6	57460-30H00-000	SWITCH ASSY,FRONT BRAKE	1	
7	57465-30H00-000	.SCREW	1	
8	57211-40J01-000	GRIP LH	1	
9	57500-23K00-000	LEVER ASSY,CLUTCH	1	
10	57621-23K00-000	LEVER,CLUTCH	1	
11	57431-23F20-000	.BOLT,LEVER SET	1	
12	57441-25G00-000	.ADJUSTER,WIRE	1	
13	57442-25G00-000	.NUT,LOCK	1	
14	01547-0625B-000	.BOLT	1	
15	08319-2106A-000	.NUT	1	
16	57560-41G20-000	SWITCH,CLUTCH	1	
17	57562-41G21-000	SCREW	1	
18	57661-23K00-000	COVER,CLUTCH LEVER	1	

FIG.474A

FIG.474A (1-E-10) REAR FENDER

REF NO.	PART NO.	DESCRIPTION	QTY	REMARKS
1	63111-23K00-000	FENDER, REAR FRONT	1	
2	48278-16H10-000	CUSHION (8X26X7)	1	
3	63121-23K00-000	COVER, REAR FENDER FRONT	1	
4	63130-23K00-000	BRACE, REAR FENDER	1	
5	63141-23K00-000	FENDER, REAR REAR	1	
6	63151-23K00-000	CUSHION,REAR FENDER FRONT	1	
7	63152-23K00-000	CUSHION (10X30X3)	1	
8	09111-06072-000	BOLT (6X17.8)	4	
9	09111-06102-000	BOLT (6X14.8)	2	
10	09148-04019-000	NUT	2	
11	09409-06341-000	CLIP (5.9X20.5)	2	
12	03541-0412B-000	SCREW	2	
13	03541-0616A-000	SCREW	4	
14	63112-23K00-000	BRACKET,REAR FENDER FRONT	1	
15	09229-03020-000	RIVET	2	
16	63113-23K00-000	WASHER,RR FENDER FR BRKT	2	
17	63311-23K00-000	EXTENSION, REAR FENDER	1	
18	09148-05080-000	NUT	1	
19	09409-06341-000	CLIP (5.9X20.5)	4	
20	03541-0512A-000	SCREW	1	
21	68171-23K20-000	EMBLEM,SUZUKI"	1	
22	63153-23K00-000	CUSHION (70X80X10)	1	

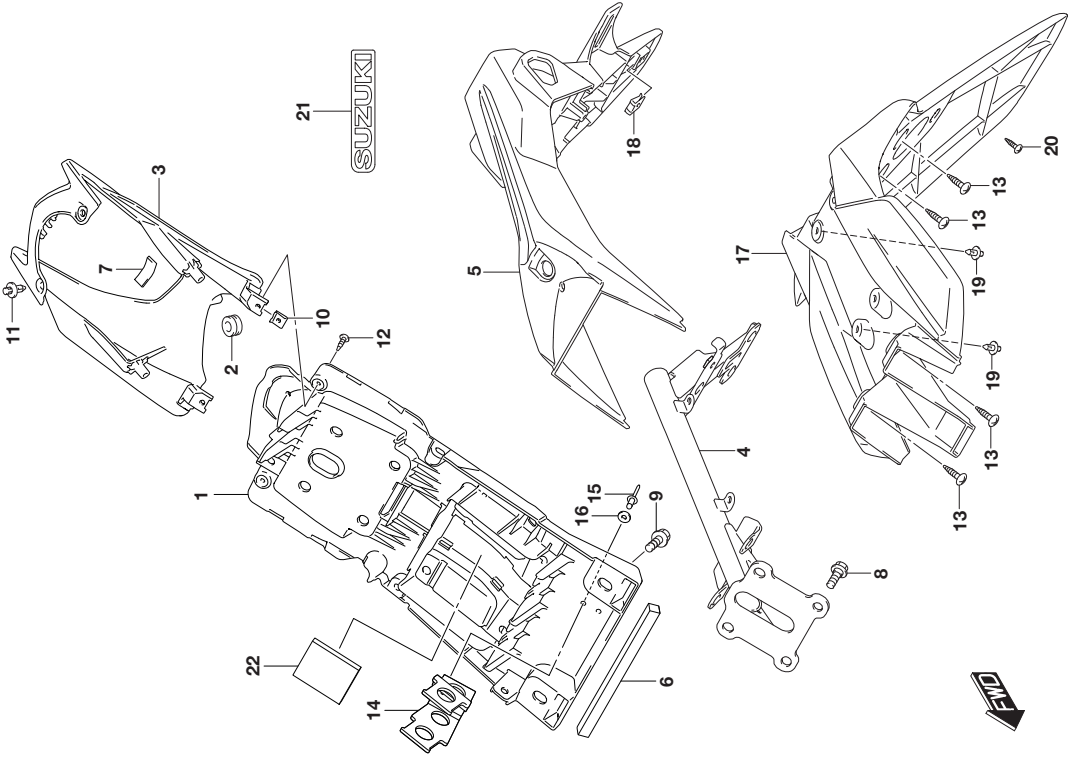


FIG.483A

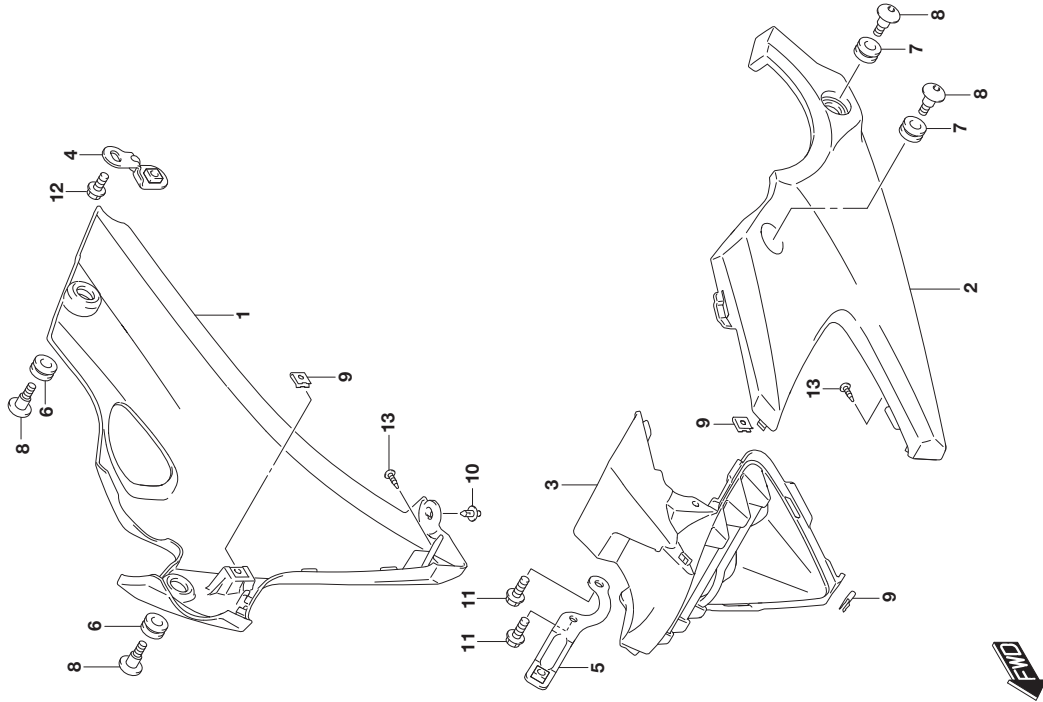


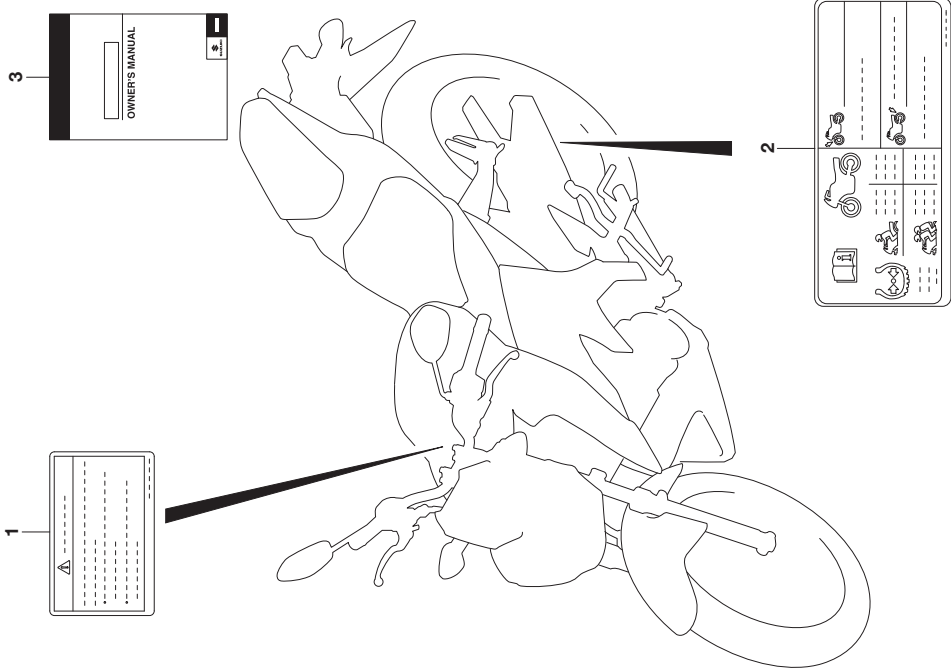
FIG.483A (1-E-11) UNDER COWLING

REF.NO.	PART NO.	DESCRIPTION	QTY	REMARKS
1-1	94491-23KA0-YVU	COWLING,UNDER,R (BLACK)	1	BODY COLOR:YSF
1-2	94491-23KA0-PGZ	COWLING,UNDER,R (GRAY)	1	BODY COLOR:YVU
1-3	94491-23KA0-PQE	COWLING,UNDER,R (YELLOW)	1	BODY COLOR:ATZ
2-1	94492-23KA0-YVU	COWLING,UNDER,L (BLACK)	1	BODY COLOR:YSF
2-2	94492-23KA0-PGZ	COWLING,UNDER,L (GRAY)	1	BODY COLOR:YVU
2-3	94492-23KA0-PQE	COWLING,UNDER,L (YELLOW)	1	BODY COLOR:ATZ
3	94493-23KA0-000	COWLING,UNDER,CTR	1	
4	94570-23K00-000	BRACKET,SIDE COWL LWR RR	1	
5	94580-23KA0-000	BRACKET,UNDER COWL FR RH	1	
6	94436-23K00-000	CUSHION,UNDER COWLING RH	2	
7	09320-09016-000	CUSHION (9X18X9.5)	2	
8	09139-06190-000	BOLT (6X20)	4	
9	09148-04019-000	NUT	3	
10	09409-06341-000	CLIP (5.9X20.5)	1	
11	01550-0612A-000	BOLT	2	
12	01550-0612B-000	BOLT	1	
13	03541-0416A-000	SCREW	3	



FIG.496A

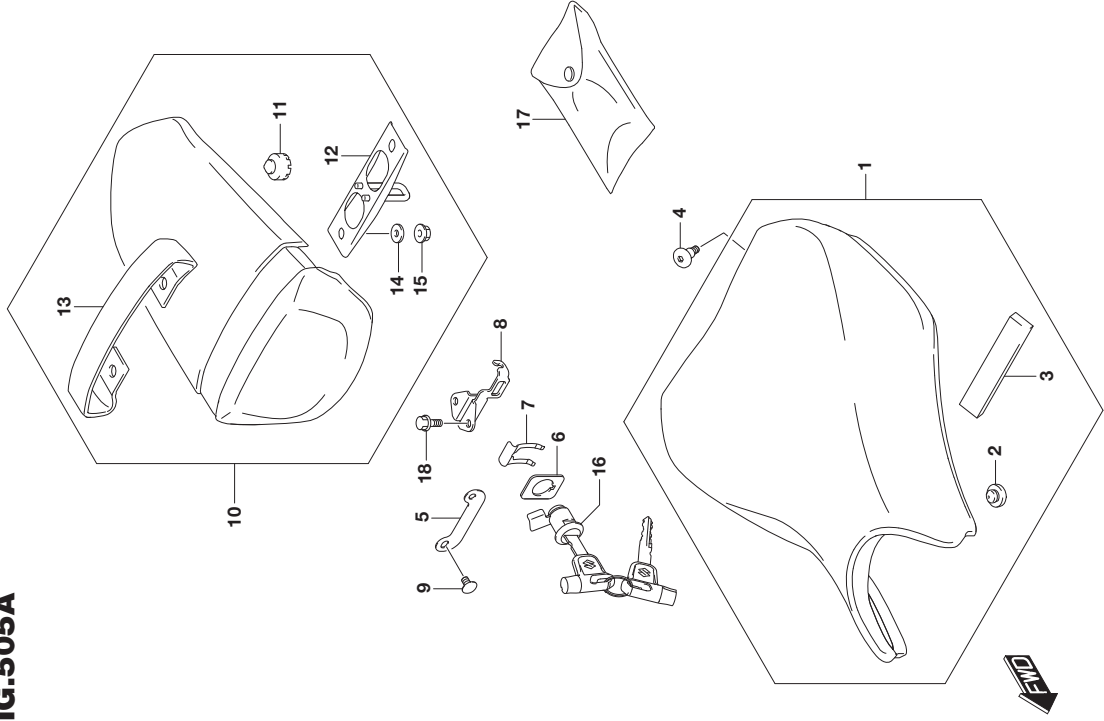
FIG.496A (1-E-12) LABEL



REF NO.	PART NO.	DESCRIPTION	QTY	REMARKS
1	68319-40J00-000	LABEL, WARNING	1	
2	68332-23KD0-000	LABEL, TIRE INFORMATION	1	
3	99011-23K53-08A	MANUAL, OWNERS	1	

FIG.505A

FIG.505A (1-E-13) SEAT



REF.NO.	PART NO.	DESCRIPTION	QTY	REMARKS
1	45100-23K10-PRQ	SEAT ASSY (BLACK)	1	
2	45148-23J00-000	.CUSHION,SEAT MOUNT	4	
3	45149-23K00-000	.CUSHION, BATTERY	1	
4	45241-23K00-000	BOLT, SEAT	2	
5	45289-23K10-000	GUARD, SEAT LOCK	1	
6	45288-12K00-000	GUIDE, SEAT LOCK CABLE	1	
7	45289-11F00-000	PLATE,SEAT LOCK ASSY	1	
8	45220-04K30-000	BRACKET, STRIKER SUPPORT	1	
9	02142-0610A-000	SCREW	2	
10	45300-23K01-PRQ	SEAT ASSY,PILLION (BLACK)	1	
11	45148-20G80-000	.CUSHION,SEAT MOUNT	2	
12	45290-23K00-000	.STRIKER, SEAT LOCK	1	
13	45380-23K01-PRQ	BAND,PILLION SEAT GRIP (BLACK)	1	
14	09160-06012-000	.WASHER (6.5X22X1.6)	2	
15	08316-1006A-000	.NUT	2	
16	95700-09G90-000	LOCK ASSY, SEAT	1	
17	96510-23K01-000	TOOL ASSY	1	
18	01550-0612A-000	BOLT	2	

FIG.521A

FIG.521A (1-E-14) FRONT FORK DAMPER

REF.NO.	PART NO.	DESCRIPTION	QTY	REMARKS
1	51103-23K00-291	DAMPER ASSY,FRONT FORK RH (BLA CK)	1	
2	51131-23K00-291	.TUBE,OUTER RH (BLACK)	1	
3	51153-23K00-000	.OIL SEAL	1	
4	51156-23K00-000	.RING, SNAP	1	
5	51571-23K00-000	.SEAL,DUST	1	
6	51110-23K00-000	.TUBE, INNER	1	
7	51194-23K00-000	.CYLINDER	1	
8	51177-08K00-000	.SPRING, REBOUND	1	
9	51196-08K00-000	.RING, PISTON	1	
10	51147-31030-000	.BOLT	1	
11	51148-31030-000	.GASKET	1	
12	51171-23K00-000	.SPRING, FRONT	1	
13	51172-36331-000	.SEAT,SPRING	1	
14	51176-23K00-000	.SPACER	1	
15	51117-43ECO-000	.O RING	1	
16	51351-23K00-000	.CAP	1	
17	51175-23K00-000	.SEAT, SPRING	1	
18	51169-48500-000	.RING,STOPPER	1	
19	51195-26B00-000	.PIECE,OIL LOCK	1	
20	51168-23K00-000	.SPACER,SEAL	1	
21	51104-23K00-291	DAMPER ASSY,FRONT FORK LH (BLA CK)	1	
22	51141-23K00-291	.TUBE,OUTER LH (BLACK)	1	
23	51153-23K00-000	.OIL SEAL	1	
24	51156-23K00-000	.RING, SNAP	1	
25	51571-23K00-000	.SEAL,DUST	1	
26	51110-23K00-000	.TUBE, INNER	1	
27	51194-23K00-000	.CYLINDER	1	
28	51177-08K00-000	.SPRING, REBOUND	1	
29	51196-08K00-000	.RING, PISTON	1	
30	51147-31030-000	.BOLT	1	
31	51148-31030-000	.GASKET	1	
32	51171-23K00-000	.SPRING, FRONT	1	
33	51172-36331-000	.SEAT,SPRING	1	

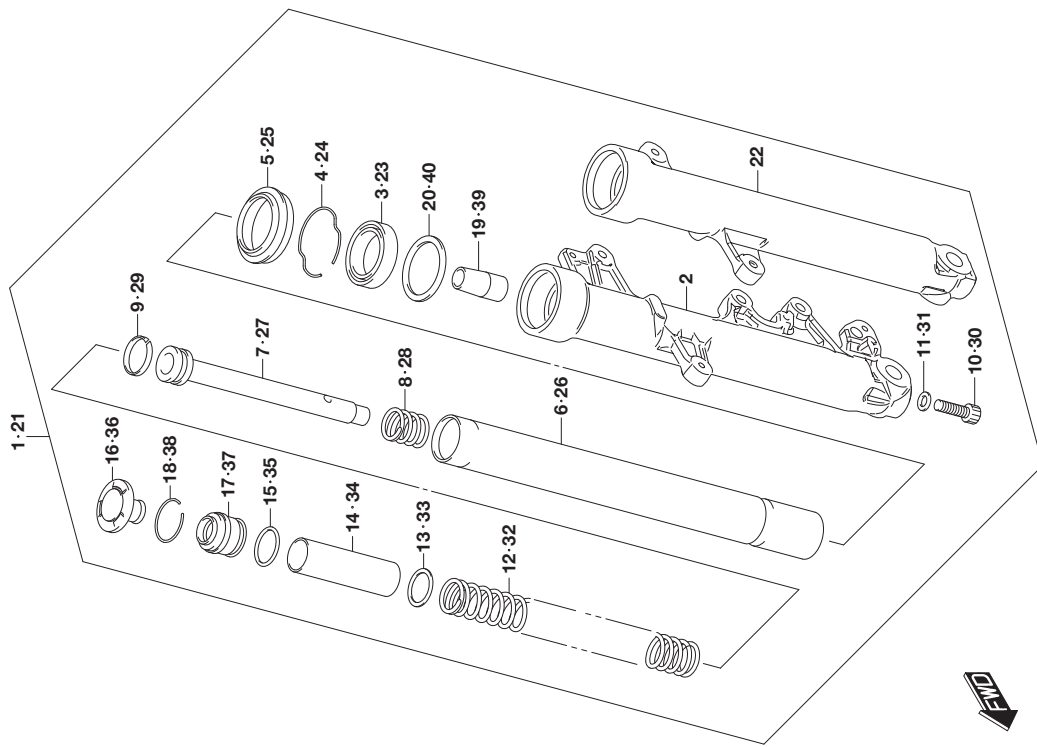


FIG.521A

FIG.521A (1-E-15) FRONT FORK DAMPER

REF.NO.	PART NO.	DESCRIPTION	QTY	REMARKS
34	51176-23K00-000	.SPACER	1	
35	51117-43EC0-000	.O RING	1	
36	51351-23K00-000	.CAP	1	
37	51175-23K00-000	.SEAT, SPRING	1	
38	51169-48500-000	.RING,STOPPER	1	
39	51195-26B00-000	.PIECE,OIL LOCK	1	
40	51168-23K00-000	.SPACER,SEAL	1	

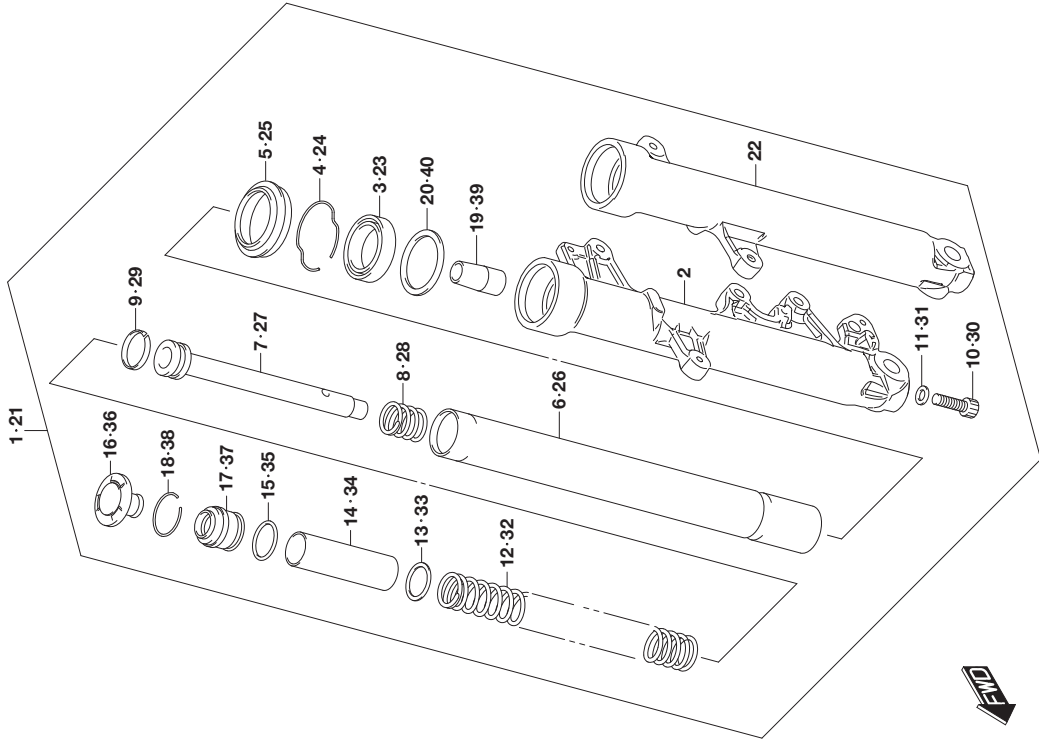


FIG.524A

FIG.524A (1-F-2) STEERING STEM

REF.NO.	PART NO.	DESCRIPTION	QTY	REMARKS
1	51410-23K30-000	STEM,STEERING	1	
2	51622-25G00-000	RACE,STEERING LOWER	1	
3	51311-23K00-000	BRACKET, UPPER	1	
4	51353-12K00-000	NUT	1	
5	51354-49G00-000	WASHER	1	
6	51328-23K00-000	BOLT	2	
7	51434-12K00-000	BOLT	4	
8	51631-05000-000	NUT,STEERING STEM	1	
9	51611-41H01-000	RACE,STEERING INNER UPPER	1	
10	51612-41H01-000	RACE,STEERING INNER LOWER	1	
11	51621-41H00-000	RACE,STEERING OUTER UPPER	1	
12	06111-06004-000	BALL	23	
13	06111-06004-000	BALL	28	
14	51643-06001-000	DUST SEAL, UPPER	1	
15	51910-23K30-000	PLATE,STEERING LOCK	1	
16	09103-08351-000	BOLT (8X16)	2	
17	56211-23K00-000	HOLDER, HANDLE UPPER	2	
18	51321-13E00-000	BOLT,HANDLE HOLDER	4	
19	51344-23K00-000	CAP,STEERING STEM	1	

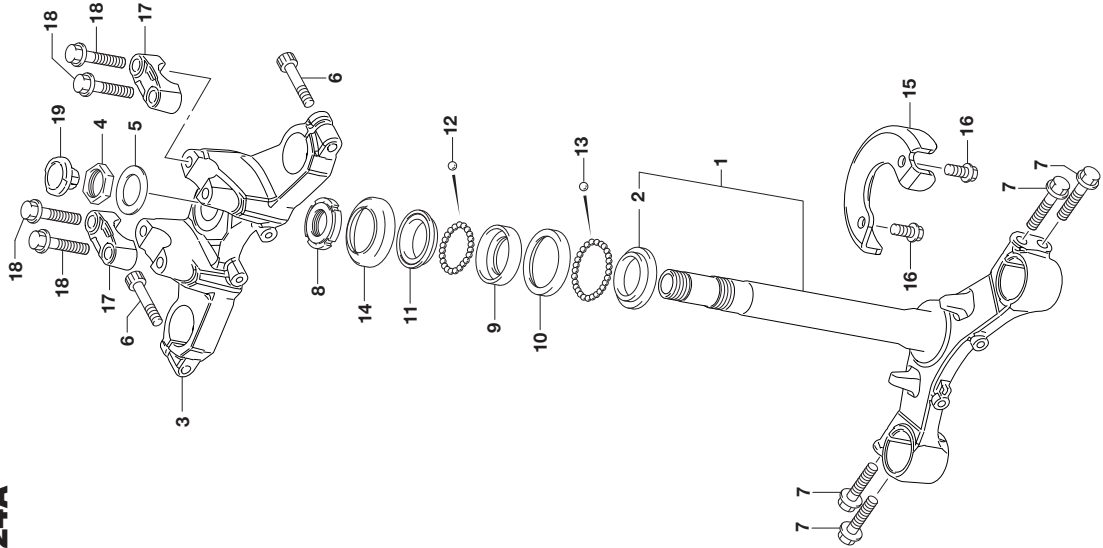


FIG.530A

FIG.530A (1-F-3) FRONT WHEEL

REF.NO.	PART NO.	DESCRIPTION	QTY	REMARKS
1-1	54111-23K00-019	WHEEL,FRONT (17X2.15,BLACK)	1	BODY COLOR:YSF,ATZ
1-2	54111-23K00-QP2	WHEEL,FRONT (BLUE)	1	BODY COLOR:YVU
2	08123-6301B-000	BEARING,REAR HUB,L	2	
3	54731-23K00-000	SPACER,FR WHEEL BEARING	1	
4	09285-25008-000	SEAL,FRONT WHEEL BEARING (25X4 0X6)	2	
5	54711-23K00-000	AXLE,FRONT	1	
6	54751-25G01-000	SPACER,FRONT AXLE	2	
7	08319-3112A-000	NUT	1	
8	59211-25G60-000	DISC,FRONT BRAKE	1	
9	59218-09G10-000	BOLT,FRONT BRAKE DISC (8X21)	5	
10	55110-23K00-000	TIRE,FRONT (90/80-17M/C 46P N R88)	1	
11	43130-40J00-000	VALVE ASSY,WHEEL RIM (TR413)	1	

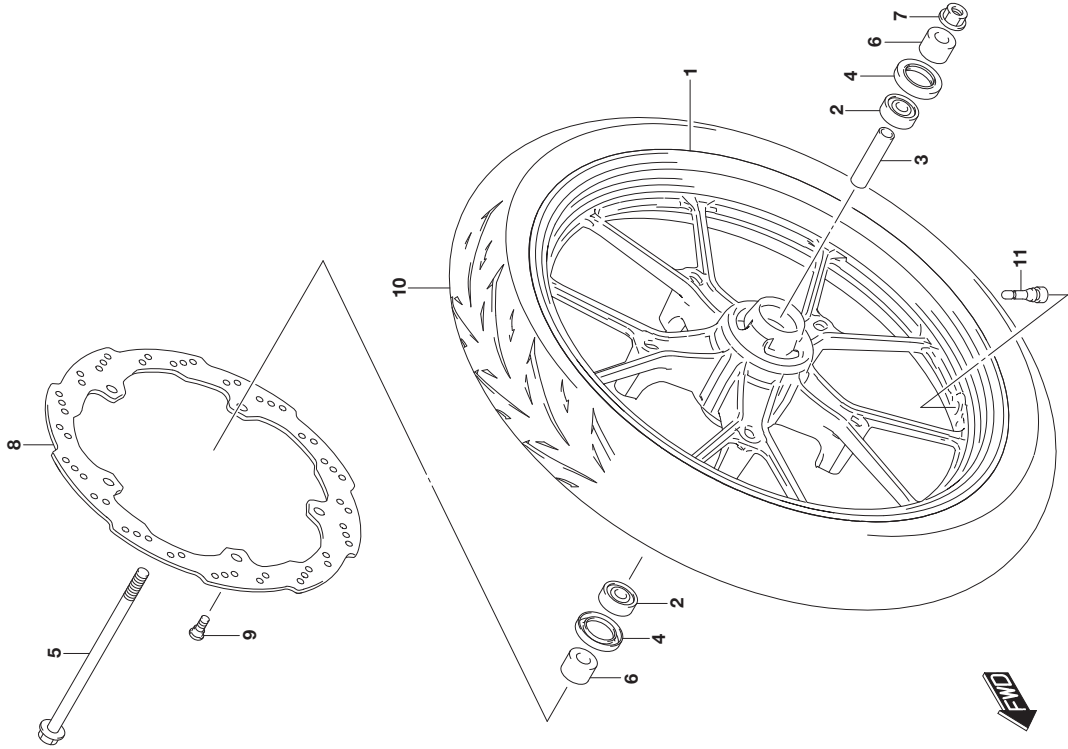


FIG. 535A

FIG. 535A (1-F-4) FRONT CALIPER

REF. NO.	PART NO.	DESCRIPTION	QTY	REMARKS
1	59100-12K10-000	CALIPER ASSY, FRONT	1	
2	59100-34870-000	.PISTON SET	1	
3	59100-34860-000	.SEAL SET, PISTON	1	
4	59109-34J00-000	.INSULATOR	1	
5	59108-34J00-000	.DUST COVER	1	
6	59315-34J00-000	.SPRING, PAD	1	
7	59746-34J00-000	.CLIP	2	
8	59351-34J00-000	.BRACKET	1	
9	59187-34J00-000	.PIN	1	
10	59188-34J00-000	..SPACER	1	
11	59665-34J00-000	.CIRCLIP	1	
12	59145-34J00-000	..STOPPER	1	
13	59382-34J00-000	.PIN	1	
14	59121-30H00-000	.SCREW, BLEEDER	1	
15	59122-30H00-000	.CAP, BLEEDER	1	
16	59101-34820-000	.PAD SET	1	
17	59141-34J10-000	.PIN	1	
18	01550-0825A-000	BOLT	2	

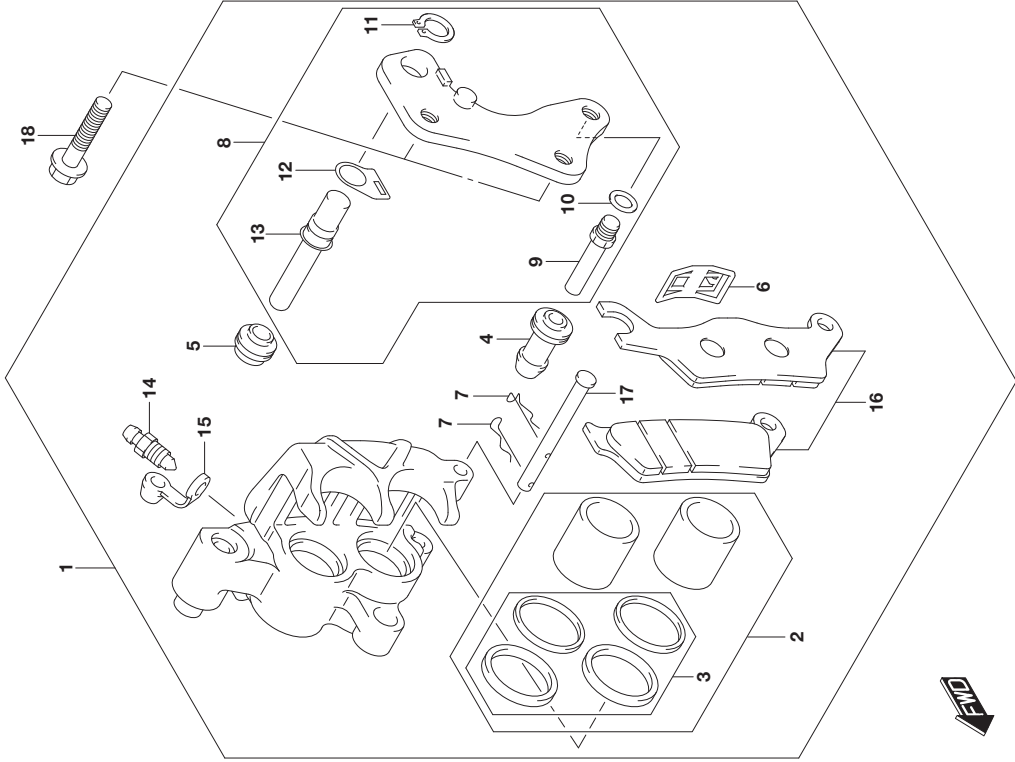


FIG. 536A

FIG. 536A (1-F-5) FRONT BRAKE HOSE

REF NO.	PART NO.	DESCRIPTION	QTY	REMARKS
1	59492-30H10-000	BOLT, BRAKE FLUID	2	
2	09161-10009-000	WASHER (10X15X1.5)	4	
3	59480-23K01-000	HOSE, FRONT BRAKE	1	
4	59268-23K00-000	CLAMP, FR BRAKE HOSE LOWER	1	
5	01547-0612B-000	BOLT	1	
6	59263-23K00-000	CLAMP, FR BRAKE HOSE UPPER	1	

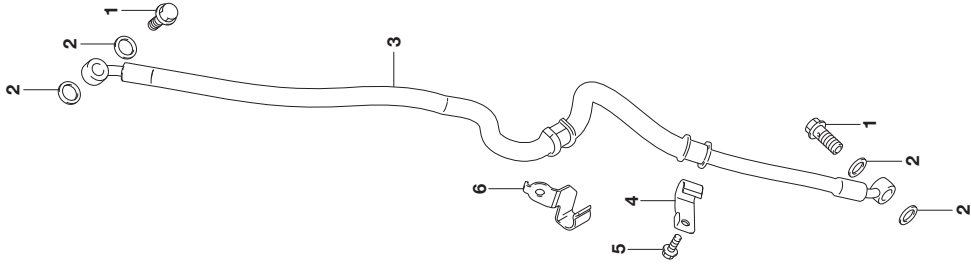


FIG.537A

FIG.537A (1-F-6) FRONT MASTER CYLINDER

REF.NO.	PART NO.	DESCRIPTION	QTY	REMARKS
1	59600-12K10-000	CYLINDER ASSY,FRONT MASTER	1	
2	59870-30H00-000	PUSH ROD ASSY	1	
3	59665-30H00-000	.CIRCLIP	1	
4	59610-12K00-000	.PISTON ASSY	1	
5	57318-12K00-000	.SPRING	1	
6	59667-12K00-000	.DIAPHRAGM	1	
7	59687-23K00-000	.COVER	1	
8	59671-30H00-000	.CLAMP	1	
9	59688-30H00-000	.SCREW	2	
10	59668-30H00-000	.PLATE,DIAPHRAGM	1	
11	59691-30H00-000	.FLAT SCREW	2	
12	59669-30H00-000	.CAP	1	

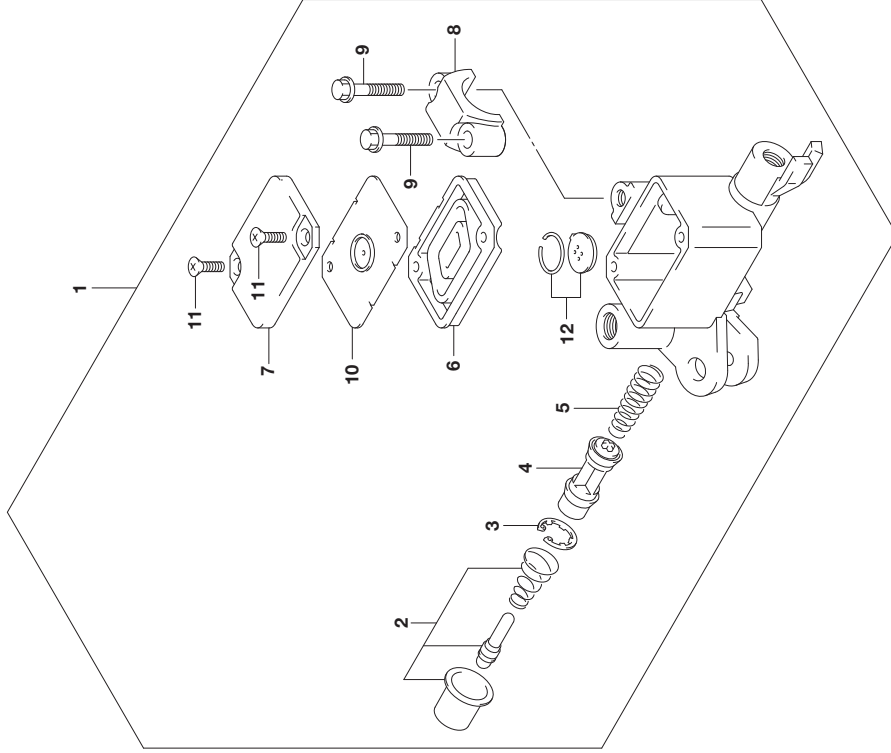
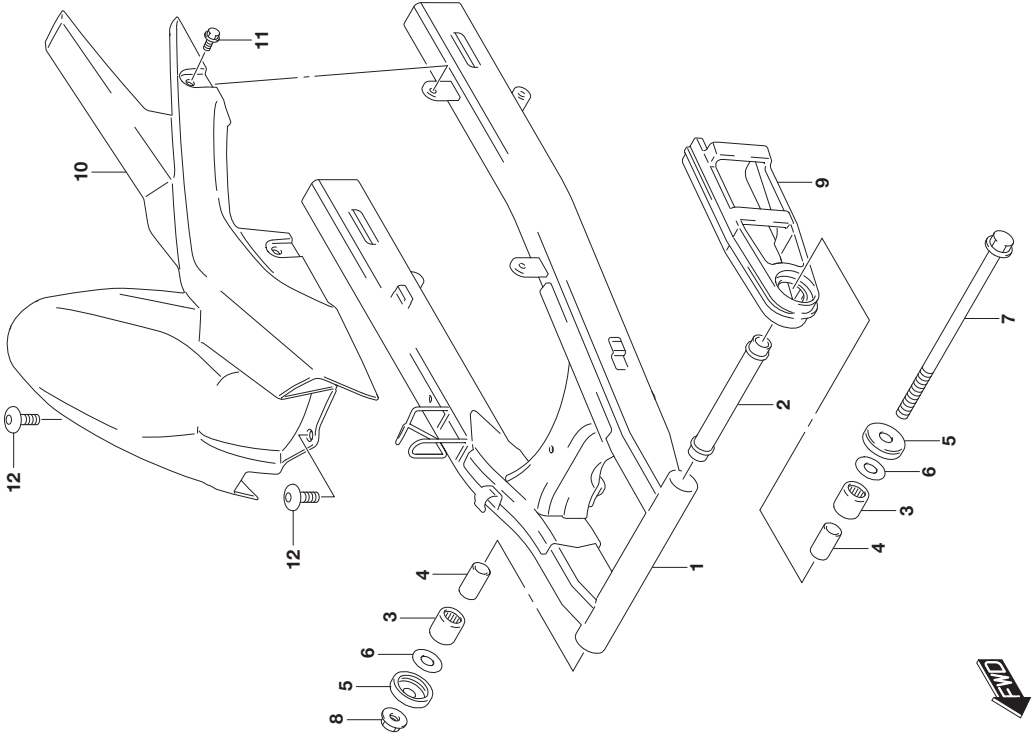


FIG.541A

FIG.541A (1-F-7) REAR SWINGINGARM



REF NO.	PART NO.	DESCRIPTION	QTY	REMARKS
1	61100-23K40-000	SWINGINGARM,REAR	1	
2	61280-23K00-000	SPACER,RR SWGARM PIVOT	1	
3	09263-17053-000	BEARING (17X24X25)	2	
4	61251-34J00-000	SPACER,RR SWGARM	2	
5	61262-23K01-000	COVER,RR SWGARM PIVOT DUST	2	
6	09181-12010-000	SHIM (12.5X27.8X0.8)	2	
7	61211-23K00-000	SHAFT,RR SWGARM PIVOT	1	
8	08319-3112A-000	NUT	1	
9	61273-23K00-000	BUFFER,CHAIN TOUCH DEFENSE	1	
10	61311-23K00-000	CASE,CHAIN	1	
11	61361-09G30-000	BOLT,CHAIN CASE	2	
12	09409-06341-000	CLIP (5.9X20.5)	2	

FIG.543A

FIG.543A (1-F-8) REAR CUSHION LEVER

REF NO.	PART NO.	DESCRIPTION	QTY	REMARKS
1	62600-23822-000	LEVER SET,RR CUSHION	1	
2	09263-17046-000	BEARING (17X24X32)	1	
3	09263-17053-000	BEARING (17X24X25)	2	
4	09263-17057-000	BEARING	1	
5	62684-23K10-000	SPACER,REAR CUSH LVR FR	1	
6	62658-23K00-000	BOLT	1	
7	08319-3112A-000	NUT	1	
8	62684-23K00-000	SPACER,REAR CUSH LVR CTR	1	
9	09103-12097-000	BOLT,12X105 (12X105)	1	
10	08319-3112A-000	NUT	2	
11	62684-40A10-000	SPACER,REAR CUSH LVR,RR	1	
12	62600-23831-000	ROD SET, CUSHION LEVER	1	
13	09263-17053-000	BEARING (17X24X25)	2	
14	62685-23K00-000	SPACER,REAR CUSH ROD	1	
15	09103-12077-000	BOLT (12X130)	1	
16	62100-23K10-019	ABSORBER ASSY,REAR SHOCK (BLAC K)	1	
17	09103-10049-000	BOLT (10X44)	1	
18	08319-3110A-000	NUT	1	
19	09103-10213-000	BOLT,10X52 (10X52)	1	

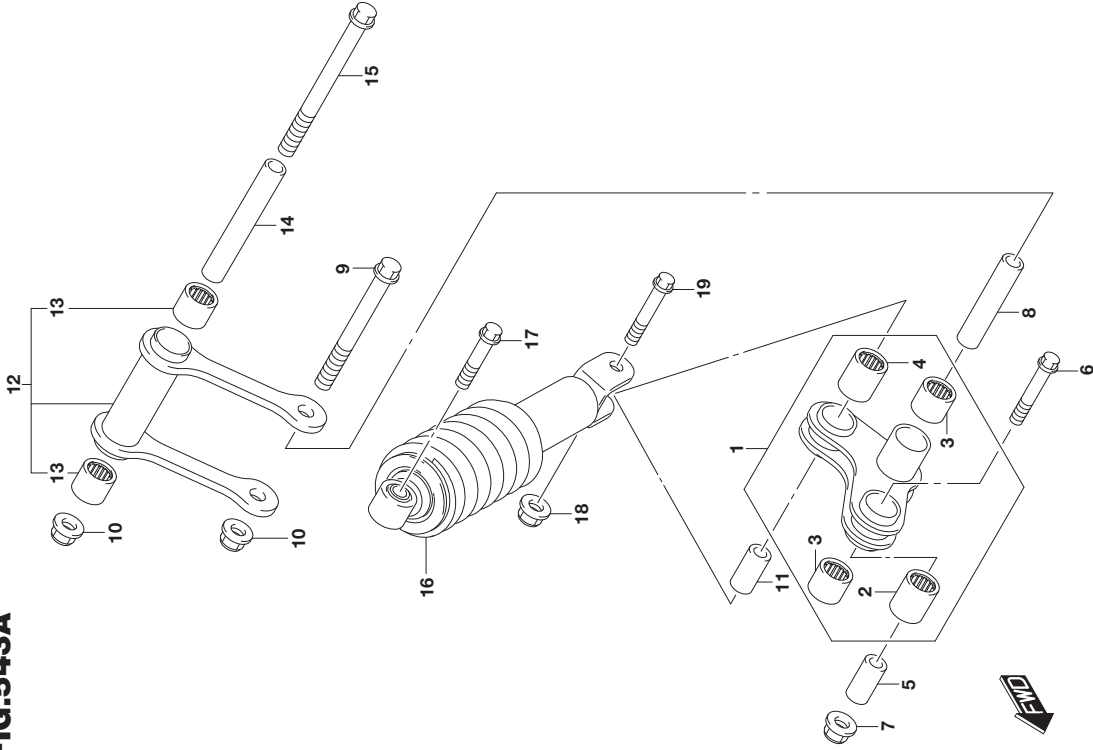


FIG.550A

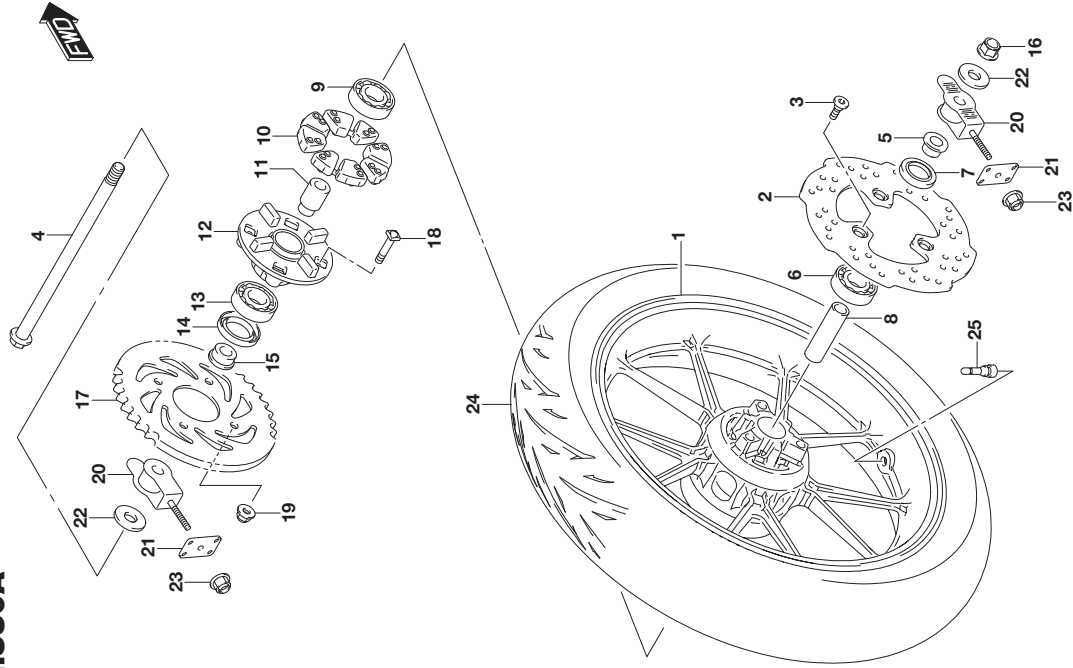


FIG.550A (1-F-9) REAR WHEEL

REF.NO.	PART NO.	DESCRIPTION	QTY	REMARKS
1-1	64111-23K00-019	WHEEL,REAR (17X3.50,BLACK)	1	BODY COLOR:YSF,ATZ
1-2	64111-23K00-QP2	WHEEL,REAR (17X3.5,BLUE)	1	BODY COLOR:YVU
2	69211-25G50-000	DISC,REAR BRAKE	1	
3	59218-09G10-000	BOLT,FRONT BRAKE DISC (8X21)	3	
4	64711-23K00-000	AXLE,REAR	1	
5	64741-23K00-000	SPACER,REAR AXLE,R	1	
6	08123-6202B-000	BEARING,FRONT WHEEL	1	
7	64841-23K00-000	SEAL,REAR WHEEL BEARING,R	1	
8	64731-23K00-000	SPACER,REAR WHEEL BEARING	1	
9	08123-6202B-000	BEARING,FRONT WHEEL	1	
10	64651-35J00-000	ABSORBER,REAR HUB SHOCK	4	
11	64761-23K00-000	RETAINER,REAR SPROCKET DRUM	1	
12	64611-23K00-000	DRUM,REAR SPROCKET MTG	1	
13	08123-6004B-000	BEARING,RR SPROCKET DRUM	1	
14	64841-34J00-000	SEAL,RR SPROCKET MTG DRUM	1	
15	64742-23K00-000	SPACER,REAR SPROCKET DRUM	1	
16	08319-3114A-000	NUT	1	
17	64511-23K00-000	SPROCKET,REAR (NT:45)	1	
18	09105-08011-000	BOLT (8X36)	4	
19	08319-3108A-000	NUT	4	
20	61410-23K00-000	ADJUSTER,CHAIN	2	
21	61421-30H00-000	PLATE,CHAIN ADJUSTER GUIDE	2	
22	61445-34J00-000	WASHER,REAR AXLE	2	
23	08319-3106A-000	NUT	2	
24	65110-23K00-000	TIRE, REAR (130/70-17M/C 62P N R88)	1	
25	43130-40J00-000	VALVE ASSY, WHEEL RIM (TR413)	1	

FIG.555A



FIG.555A (1-F-10) REAR CALIPER

REF.NO.	PART NO.	DESCRIPTION	QTY	REMARKS
1	69100-23K00-000	CALIPER ASSY, REAR	1	
2	51315-61J00-000	.NUT,CYLINDER PUSH ROD	1	
3	59121-01A00-000	.BLEEDER	1	
4	59122-01A00-000	.CAP,BLEEDER	1	
5	59145-37F00-000	.RING,STOPPER	1	
6	59146-20G00-000	.PLUG,PIN	1	
7	59303-14500-000	.BOOT	1	
8	59382-14500-000	.PIN	1	
9	59386-13A00-000	.BOOT	1	
10	69100-20850-000	.PISTON SET	1	
11	59100-38860-000	.SEAL SET,PISTON	1	
12	69101-34810-000	.PAD SET	1	
13	69115-20G01-000	.SPRING,PAD	1	
14	69187-34J00-000	.PIN	1	
15	69345-20G00-000	.PIN,HANGER	1	
16	69720-23K00-000	.BRACKET	1	

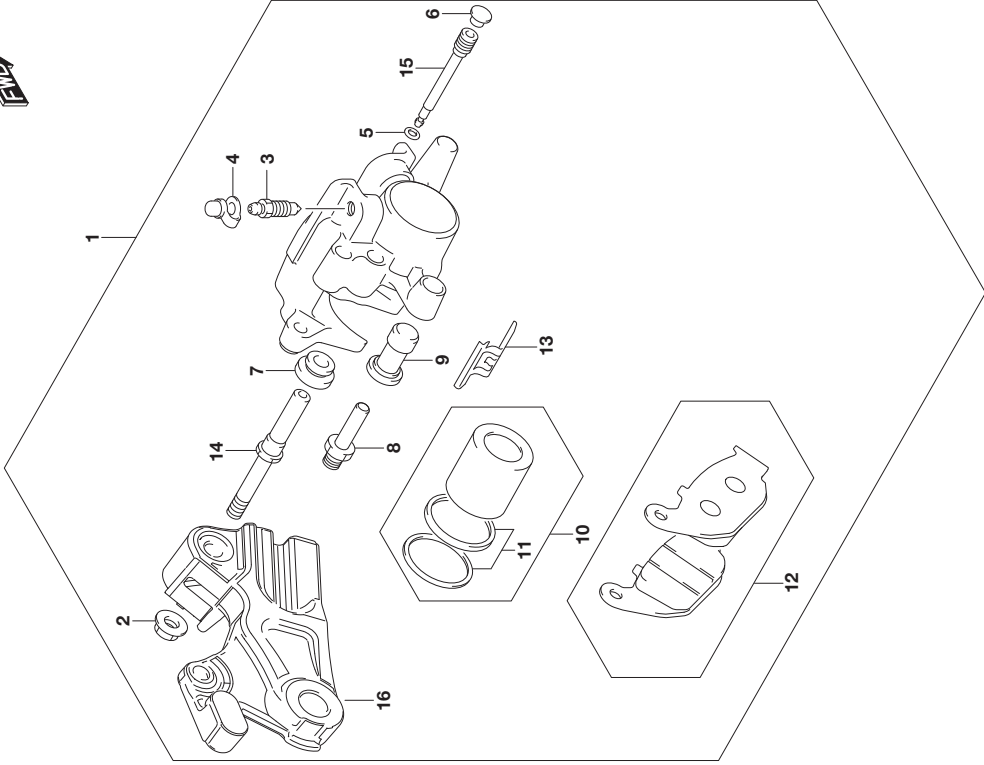
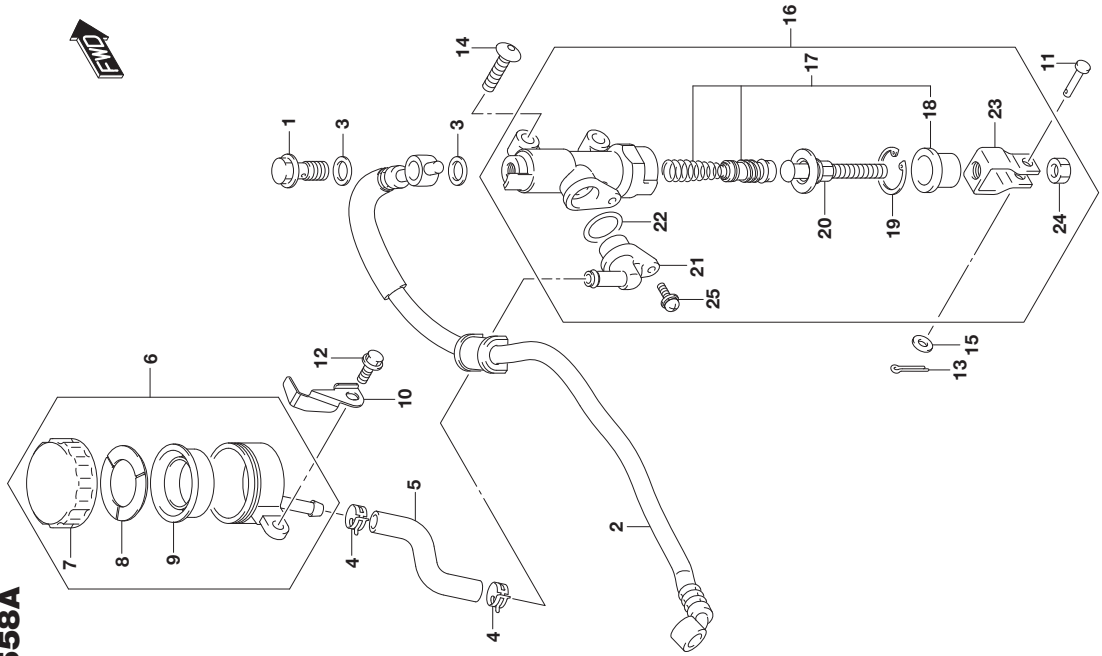


FIG.558A

FIG.558A (1-F-11) REAR MASTER CYLINDER

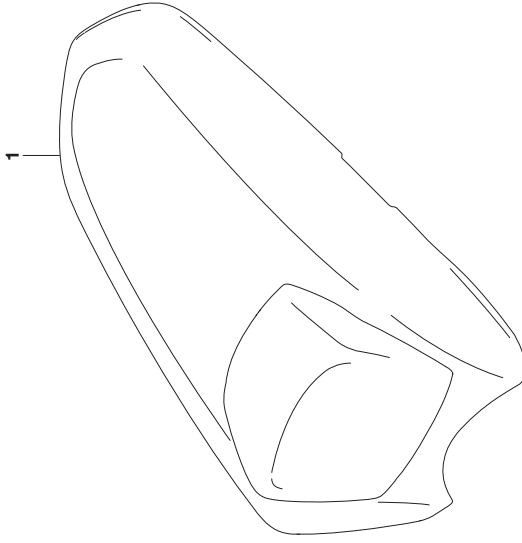


REF NO.	PART NO.	DESCRIPTION	QTY	REMARKS
1	59492-22J00-000	BOLT,BRAKE FLUID	2	
2	69480-23K00-000	HOSE,REAR BRAKE	1	
3	09168-10033-000	WASHER (10.2X15X1.4)	4	
4	59735-17C00-000	CLAMP,RESERVOIR TANK,FRONT	2	
5	69731-23K00-000	HOSE,REAR RESERVOIR TANK	1	
6	69740-20G10-000	TANK ASSY,REAR RESERVOIR	1	
7	69669-20G10-000	CAP	1	
8	59668-18441-000	PLATE	1	
9	59667-18441-000	.DIAPHRAGM	1	
10	69743-23K00-000	GUARD,RSVR TANK CAP	1	
11	09200-06037-000	PIN (6X18.2)	1	
12	01547-0616A-000	BOLT	1	
13	04111-2015A-000	PIN	1	
14	09139-06057-000	SCREW,6X25 (6X25)	2	
15	08322-0106A-000	WASHER	1	
16	69600-23K00-000	CYLINDER ASSY, REAR MASTER	1	
17	69600-34840-000	.PISTON/CUP SET	1	
18	69691-04A00-000	.BOOT	1	
19	69665-47H00-000	.CIRCLIP	1	
20	69670-34J00-000	.ROD,PUSH	1	
21	69672-34J00-000	.CONNECTOR	1	
22	69686-34200-000	.O RING	1	
23	69692-44H00-000	.YOKE	1	
24	69693-05A00-000	.NUT	2	
25	02112-74125-000	.SCREW (4X12)	1	

FIG. 970A

FIG.970A (1-F-12) OPTIONAL

REF NO.	PART NO.	DESCRIPTION	QTY	REMARKS
1-1	45550-23810-Y5F	BOX, SEAT TAIL (BLUE)	1	BODY COLOR:Y5F
1-2	45550-23810-YUH	BOX, SEAT TAIL (WHITE)	1	BODY COLOR:ATZ
1-3	45550-23810-YVU	BOX, SEAT TAIL (BLACK)	1	BODY COLOR:YVU



PART NO.	FIG.NO.-REF.NO.	PART NO.	FIG.NO.-REF.NO.	PART NO.	FIG.NO.-REF.NO.	PART NO.	FIG.NO.-REF.NO.
339A-14	352A-2	41100-23K00-000	407A-1	415A-10	43820-23K30-000	415A-28	423A-1-1
460A-8	352A-1	37101-23822-000	407A-1	415A-10	415A-28	415A-28	423A-1-1
460A-8	352A-1		407A-1	435111-23K00-000	415A-2	415A-28	423A-1-3
460A-8	352A-1		407A-1	415A-2	415A-2	415A-28	423A-1-3
35956-23K00-000	352A-1	42100-23K00-000	407A-1	415A-2	44100-23KR0-40X	420A-1-3	423A-1-3
460A-9	352A-3		407A-1	415A-2	420A-1-3	420A-1-3	423A-1-2
460A-9	352A-3		407A-1	415A-3	420A-1-3	420A-1-3	423A-1-2
460A-9	352A-3		407A-1	415A-3	44100-23KR0-6PX	420A-1-2	423A-1-2
460A-9	352A-3	42211-25G00-000	407A-2	415A-3	420A-1-2	420A-1-2	423A-1-2
35957-23K00-000	355A-1		407A-2	415A-3	420A-1-2	420A-1-2	423A-1-2
460A-10	355A-1		407A-2	415A-11	420A-1-2	420A-1-2	423A-2-1
460A-10	355A-1		407A-2	415A-11	44100-23KR0-YVU	420A-1-1	423A-2-1
460A-10	355A-1	42241-23K00-000	407A-6	415A-11	420A-1-1	420A-1-1	423A-2-1
35970-28G00-000	355A-5		407A-6	415A-11	44293-23KA0-YUH	423A-2-3	423A-2-3
339A-17	355A-5		407A-6	415A-12	420A-1-1	420A-1-1	423A-2-3
339A-17	355A-5		407A-6	415A-12	420A-1-1	420A-1-1	423A-2-3
339A-17	355A-5	42272-09J00-000	407A-5	415A-12	44146-48H00-000	420A-12	423A-2-3
350A-1	355A-5		407A-5	415A-12	420A-12	420A-12	423A-2-3
350A-1	212A-33	37720-12K12-000	407A-5	415A-12	420A-12	420A-12	423A-2-2
350A-1	212A-33		407A-5	415A-8	44293-23KA0-YVU	423A-2-2	423A-2-2
350A-1	212A-33		407A-5	415A-8	420A-12	420A-12	423A-2-2
350A-13	212A-33	42310-23K00-000	407A-7	415A-8	44179-23KA0-000	420A-17	420A-22
350A-13	212A-34		407A-7	415A-17	420A-17	420A-17	420A-22
350A-13	212A-34		407A-7	415A-17	420A-17	420A-17	420A-22
350A-13	212A-34	42341-40J00-000	407A-9	415A-17	44183-23K00-000	420A-21	420A-22
350A-13	212A-34		407A-9	415A-17	420A-21	420A-21	420A-22
36890-25G00-000	350A-4		407A-9	415A-17	420A-21	420A-21	333A-2
163A-24	350A-4	37740-12K10-000	407A-9	415A-4	44294-43H11-000	420A-21	333A-2
163A-24	350A-4		407A-9	415A-4	420A-21	420A-21	333A-2
163A-24	350A-4		407A-9	415A-4	44189-23KA0-000	420A-18	333A-2
163A-24	350A-4	43110-23K01-000	407A-11	415A-4	420A-18	420A-18	423A-4
339A-11	350A-6		407A-11	415A-4	44200-23870-000	420A-18	423A-4
339A-11	350A-6	39500-23K11-000	407A-11	415A-13	420A-18	420A-18	423A-4
339A-11	350A-6		407A-11	415A-13	44244-23K00-000	420A-4	423A-4
350A-3	350A-6		407A-11	415A-13	420A-4	420A-4	420A-28
350A-3	350A-6	43130-40J00-000	530A-11	415A-13	44293-23K10-000	420A-4	420A-28
462A-15	334A-27		530A-11	415A-20	420A-4	420A-4	420A-28
462A-15	334A-27	38610-23K00-000	530A-11	415A-20	44293-23K00-000	420A-4	420A-28
189A-7	334A-27		530A-11	415A-20	420A-4	420A-4	420A-28
189A-7	334A-27		530A-11	415A-20	44244-23K00-000	420A-4	420A-28
189A-7	334A-27	38860-33J00-000	550A-25	415A-20	44293-23K00-000	420A-5	420A-26
189A-7	350A-8		550A-25	415A-21	420A-5	420A-5	420A-26
189A-7	350A-8		550A-25	415A-21	44424-23K30-000	420A-5	420A-26
212A-36	350A-8		550A-25	415A-21	420A-5	420A-5	420A-26
212A-36	350A-8	43232-34J00-000	350A-5	415A-21	44277-23K00-000	423A-9	420A-26
212A-36	350A-8		350A-5	415A-21	423A-9	423A-9	420A-26
212A-36	350A-9		350A-5	415A-21	423A-9	423A-9	420A-26
212A-36	350A-9		350A-5	415A-27	44424-23K40-000	423A-9	420A-27
212A-36	350A-9		350A-5	415A-27	420A-27	420A-27	420A-27
339A-19	350A-9	43501-23K10-000	415A-1	415A-27	44291-23KA0-000	423A-3	420A-27
339A-19	350A-9		415A-1	415A-27	423A-3	423A-3	420A-27
339A-19	350A-9		415A-1	415A-25	44242-23K50-000	423A-3	420A-30
339A-19	350A-9		415A-1	415A-25	420A-30	420A-30	420A-30
352A-2	4000	43502-23K00-000	415A-10	415A-25	44292-23KA0-YSF	423A-1-1	420A-30
352A-2	4000		415A-10	415A-25	423A-1-1	423A-1-1	420A-30
352A-2	4000		415A-10	415A-25	423A-1-1	423A-1-1	420A-30

PART NO.	FIG.NO.-REF.NO.	PART NO.	FIG.NO.-REF.NO.	PART NO.	FIG.NO.-REF.NO.	PART NO.	FIG.NO.-REF.NO.
339A-14	352A-2	41100-23K00-000	407A-1	415A-10	43820-23K30-000	415A-28	423A-1-1
460A-8	352A-1	37101-23822-000	407A-1	415A-10	415A-28	415A-28	423A-1-1
460A-8	352A-1		407A-1	435111-23K00-000	415A-2	415A-28	423A-1-3
460A-8	352A-1		407A-1	415A-2	415A-2	415A-28	423A-1-3
35956-23K00-000	352A-1	42100-23K00-000	407A-1	415A-2	44100-23KR0-40X	420A-1-3	423A-1-3
460A-9	352A-3		407A-1	415A-2	420A-1-3	420A-1-3	423A-1-3
460A-9	352A-3		407A-1	415A-3	420A-1-3	420A-1-3	423A-1-2
460A-9	352A-3	42211-25G00-000	407A-2	415A-3	44100-23KR0-6PX	420A-1-2	423A-1-2
460A-9	352A-3		407A-2	415A-3	420A-1-2	420A-1-2	423A-1-2
35957-23K00-000	355A-1		407A-2	415A-3	420A-1-2	420A-1-2	423A-1-2
460A-10	355A-1		407A-2	415A-11	420A-1-2	420A-1-2	423A-2-1
460A-10	355A-1	42241-23K00-000	407A-6	415A-11	44100-23KR0-YVU	420A-1-1	423A-2-1
460A-10	355A-1		407A-6	415A-11	420A-1-1	420A-1-1	423A-2-1
35970-28G00-000	355A-5		407A-6	415A-11	44293-23KA0-YUH	423A-2-3	423A-2-3
339A-17	355A-5		407A-6	415A-12	420A-1-1	420A-1-1	423A-2-3
339A-17	355A-5		407A-6	415A-12	420A-1-1	420A-1-1	423A-2-3
339A-17	355A-5	42272-09J00-000	407A-5	415A-12	44146-48H00-000	420A-12	423A-2-3
350A-1	355A-5		407A-5	415A-12	420A-12	420A-12	423A-2-3
350A-1	212A-33	37720-12K12-000	407A-5	415A-12	420A-12	420A-12	423A-2-2
350A-1	212A-33		407A-5	415A-8	44293-23KA0-YVU	423A-2-2	423A-2-2
350A-1	212A-33	42310-23K00-000	407A-7	415A-8	420A-12	420A-12	423A-2-2
350A-13	212A-34		407A-7	415A-8	44179-23KA0-000	420A-17	420A-22
350A-13	212A-34		407A-7	415A-17	420A-17	420A-17	420A-22
350A-13	212A-34	42341-40J00-000	407A-9	415A-17	44183-23K00-000	420A-21	420A-22
350A-13	212A-34		407A-9	415A-17	420A-21	420A-21	420A-22
36890-25G00-000	350A-4		407A-9	415A-17	420A-21	420A-21	333A-2
163A-24	350A-4	37740-12K10-000	407A-9	415A-4	44294-43H11-000	420A-21	333A-2
163A-24	350A-4		407A-9	415A-4	420A-21	420A-21	333A-2
163A-24	350A-4	43110-23K01-000	407A-11	415A-4	44189-23KA0-000	420A-18	333A-2
163A-24	350A-4		407A-11	415A-4	420A-18	420A-18	333A-2
339A-11	350A-6		407A-11	415A-4	44200-23870-000	420A-18	423A-4
339A-11	350A-6	39500-23K11-000	407A-11	415A-13	420A-18	420A-18	423A-4
339A-11	350A-6		407A-11	415A-13	44244-23K00-000	420A-18	423A-4
350A-3	350A-6		407A-11	415A-13	420A-18	420A-18	423A-4
350A-3	350A-6	43130-40J00-000	530A-11	415A-13	44293-23K10-000	420A-4	420A-28
462A-15	334A-27		530A-11	415A-20	420A-4	420A-4	420A-28
462A-15	334A-27	38610-23K00-000	530A-11	415A-20	44293-23K00-000	420A-4	420A-28
189A-7	334A-27		530A-11	415A-20	420A-4	420A-4	420A-28
189A-7	334A-27		530A-11	415A-20	44244-23K00-000	420A-4	420A-28
189A-7	334A-27	38860-33J00-000	550A-25	415A-20	44293-23K00-000	420A-5	420A-26
189A-7	350A-8		550A-25	415A-21	420A-5	420A-5	420A-26
189A-7	350A-8		550A-25	415A-21	44424-23K30-000	420A-5	420A-26
212A-36	350A-8		550A-25	415A-21	420A-5	420A-5	420A-26
212A-36	350A-8	43232-34J00-000	350A-5	415A-21	44277-23K00-000	423A-9	420A-26
212A-36	350A-8		350A-5	415A-21	423A-9	423A-9	420A-26
212A-36	350A-9		350A-5	415A-21	423A-9	423A-9	420A-26
212A-36	350A-9		350A-5	415A-27	44424-23K40-000	423A-9	420A-27
212A-36	350A-9		350A-5	415A-27	420A-27	420A-27	420A-27
339A-19	350A-9	43501-23K10-000	415A-1	415A-27	44291-23KA0-000	423A-3	420A-27
339A-19	350A-9		415A-1	415A-27	423A-3	423A-3	420A-27
339A-19	350A-9		415A-1	415A-25	44242-23K50-000	423A-3	420A-30
339A-19	350A-9		415A-1	415A-25	420A-30	420A-30	420A-30
352A-2	4000	43502-23K00-000	415A-10	415A-25	44292-23KA0-YSF	423A-1-1	420A-30
352A-2	4000		415A-10	415A-25	423A-1-1	423A-1-1	420A-30
352A-2	4000		415A-10	415A-25	423A-1-1	423A-1-1	420A-30

PART NO.	FIG.NO.-REF.NO.	FIG.NO.-REF.NO.	PART NO.	FIG.NO.-REF.NO.	FIG.NO.-REF.NO.
62600-23822-000	543A-1	474A-5	63141-23K00-000	474A-4	550A-5
	543A-1	474A-5		474A-5	550A-5
	543A-1	474A-5	64742-23K00-000	474A-5	550A-15
	543A-1	474A-5		474A-5	550A-15
	543A-1	474A-6	63151-23K00-000	474A-6	550A-15
	543A-1	474A-6		474A-6	550A-11
62600-23831-000	543A-12	474A-6	64761-23K00-000	474A-6	550A-11
	543A-12	474A-6		474A-6	550A-11
	543A-12	474A-7	63152-23K00-000	474A-7	550A-11
	543A-12	474A-7		474A-7	550A-11
62658-23K00-000	543A-6	474A-7	64841-23K00-000	474A-7	550A-7
	543A-6	474A-7		474A-7	550A-7
	543A-6	474A-22	63153-23K00-000	474A-22	550A-7
	543A-6	474A-22		474A-22	550A-14
62684-23K00-000	543A-8	474A-22	64841-34,100-000	474A-22	550A-14
	543A-8	474A-22		474A-22	550A-14
	543A-8	474A-17	63311-23K00-000	474A-17	550A-14
	543A-8	474A-17		474A-17	550A-24
62684-23K10-000	543A-5	474A-17	65110-23K00-000	474A-17	550A-24
	543A-5	474A-17		474A-17	550A-24
	543A-5	550A-1-1	64111-23K00-019	550A-1-1	550A-24
	543A-5	550A-1-1		550A-1-1	550A-24
62684-40A10-000	543A-11	550A-1-1	68115-23K70-ATZ	550A-1-1	420A-2-3
	543A-11	550A-1-1		550A-1-1	420A-2-3
	543A-11	550A-1-2	64111-23K00-QP2	550A-1-2	420A-2-3
	543A-11	550A-1-2		550A-1-2	420A-2-3
62685-23K00-000	543A-14	550A-1-2	68115-23K70-YSF	550A-1-2	420A-2-1
	543A-14	550A-1-2		550A-1-2	420A-2-1
	543A-14	550A-17	64511-23K00-000	550A-17	420A-2-1
	543A-14	550A-17		550A-17	420A-2-1
63111-23K00-000	474A-1	550A-17	68115-23K70-YVU	550A-17	420A-2-2
	474A-1	550A-17		550A-17	420A-2-2
	474A-1	550A-12	64611-23K00-000	550A-12	420A-2-2
	474A-1	550A-12		550A-12	420A-2-2
	474A-1	550A-12	64651-35,100-000	550A-12	420A-3-3
	474A-1	550A-12		550A-12	420A-3-3
63112-23K00-000	474A-14	550A-12	68125-23K70-ATZ	550A-12	420A-3-3
	474A-14	550A-12		550A-12	420A-3-3
	474A-14	550A-10	64651-35,100-000	550A-10	420A-3-3
	474A-14	550A-10		550A-10	420A-3-3
	474A-14	550A-10	68125-23K70-YSF	550A-10	420A-3-1
	474A-14	550A-10		550A-10	420A-3-1
63113-23K00-000	474A-16	550A-10	64711-23K00-000	550A-10	420A-3-1
	474A-16	550A-10		550A-10	420A-3-1
	474A-16	550A-4	64711-23K00-000	550A-4	420A-3-1
	474A-16	550A-4		550A-4	420A-3-1
63121-23K00-000	474A-3	550A-4	68125-23K70-YVU	550A-4	420A-3-2
	474A-3	550A-4		550A-4	420A-3-2
	474A-3	550A-8	64731-23K00-000	550A-8	420A-3-2
	474A-3	550A-8		550A-8	420A-3-2
	474A-3	550A-8	68131-23K80-ATZ	550A-8	445A-25-3
	474A-3	550A-8		550A-8	445A-25-3
63130-23K00-000	474A-4	550A-8	64741-23K00-000	550A-8	445A-25-3
	474A-4	550A-8		550A-8	445A-25-3
	474A-4	550A-5		550A-5	445A-25-3

PART NO.	FIG.NO.-REF.NO.	FIG.NO.-REF.NO.	PART NO.	FIG.NO.-REF.NO.	FIG.NO.-REF.NO.
68131-23K80-YSF	445A-25-3	445A-25-1	68141-23K80-YSF	445A-25-3	445A-25-3
	445A-25-1	445A-25-1		445A-25-1	445A-25-1
	445A-25-1	445A-25-1	68142-23K80-YVU	445A-25-1	445A-25-1
	445A-25-1	445A-25-2		445A-25-2	445A-25-2
68131-23K80-YVU	445A-25-2	445A-25-2	68142-23K80-YVU	445A-25-2	445A-25-2
	445A-25-2	445A-25-2		445A-25-2	445A-25-2
	445A-25-2	445A-25-2	68142-23K70-YSF	445A-25-2	445A-25-2
	445A-25-2	445A-25-2		445A-25-2	445A-25-2
68132-23K30-291	424A-15	424A-15	68147-23K70-YVU	424A-15	424A-15
	424A-15	424A-15		424A-15	424A-15
	424A-15	424A-15	68147-23K70-YVU	424A-15	424A-15
	424A-15	424A-15		424A-15	424A-15
68137-23K70-ATZ	424A-17-3	424A-17-3	68148-23K70-YVU	424A-17-3	424A-17-3
	424A-17-3	424A-17-3		424A-17-3	424A-17-3
	424A-17-3	424A-17-3	68148-23K20-ATZ	424A-17-3	424A-17-3
	424A-17-3	424A-17-3		424A-17-3	424A-17-3
68137-23K70-YSF	424A-17-1	424A-17-1	68148-23K20-YSF	424A-17-1	424A-17-1
	424A-17-1	424A-17-1		424A-17-1	424A-17-1
	424A-17-1	424A-17-1	68148-23K20-YVU	424A-17-1	424A-17-1
	424A-17-1	424A-17-1		424A-17-1	424A-17-1
68137-23K70-YVU	424A-17-2	424A-17-2	68148-23K20-YVU	424A-17-2	424A-17-2
	424A-17-2	424A-17-2		424A-17-2	424A-17-2
	424A-17-2	424A-17-2	68148-23K20-YVU	424A-17-2	424A-17-2
	424A-17-2	424A-17-2		424A-17-2	424A-17-2
68138-23K20-ATZ	424A-19-3	424A-19-3	68171-23K20-000	424A-19-3	424A-19-3
	424A-19-3	424A-19-3		424A-19-3	424A-19-3
	424A-19-3	424A-19-3	68171-23K20-000	424A-19-3	424A-19-3
	424A-19-3	424A-19-3		424A-19-3	424A-19-3
68138-23K20-YSF	424A-19-1	424A-19-1	68182-12K20-ADT	424A-19-1	424A-19-1
	424A-19-1	424A-19-1		424A-19-1	424A-19-1
	424A-19-1	424A-19-1	68182-12K20-ADT	424A-19-1	424A-19-1
	424A-19-1	424A-19-1		424A-19-1	424A-19-1
68138-23K20-YVU	424A-19-2	424A-19-2	68182-12K20-BQJ	424A-19-2	424A-19-2
	424A-19-2	424A-19-2		424A-19-2	424A-19-2
	424A-19-2	424A-19-2	68182-12K20-BQJ	424A-19-2	424A-19-2
	424A-19-2	424A-19-2		424A-19-2	424A-19-2
68141-23K80-ATZ	445A-26-3	445A-26-3	68182-12K20-BQJ	445A-26-3	445A-26-3
	445A-26-3	445A-26-3		445A-26-3	445A-26-3
	445A-26-3	445A-26-3	68182-12K20-BQJ	445A-26-3	445A-26-3
	445A-26-3	445A-26-3		445A-26-3	445A-26-3
68141-23K80-YSF	445A-26-1	445A-26-1	68182-12K20-BQJ	445A-26-1	445A-26-1
	445A-26-1	445A-26-1		445A-26-1	445A-26-1
	445A-26-1	445A-26-1	68182-12K20-BQJ	445A-26-1	445A-26-1
	445A-26-1	445A-26-1		445A-26-1	445A-26-1
68141-23K80-YVU	445A-26-2	445A-26-2	68182-12K20-BQJ	445A-26-2	445A-26-2
	445A-26-2	445A-26-2		445A-26-2	445A-26-2
	445A-26-2	445A-26-2	68182-12K20-BQJ	445A-26-2	445A-26-2
	445A-26-2	445A-26-2		445A-26-2	445A-26-2
68141-23K80-YVU	445A-26-2	445A-26-2	68182-12K20-BQJ	445A-26-2	445A-26-2
	445A-26-2	445A-26-2		445A-26-2	445A-26-2
	445A-26-2	445A-26-2	68182-12K20-BQJ	445A-26-2	445A-26-2
	445A-26-2	445A-26-2		445A-26-2	445A-26-2
68142-23K30-291	424A-16	424A-16	68182-12K20-BQJ	424A-16	424A-16
	424A-16	424A-16		424A-16	424A-16
	424A-16	424A-16	68182-12K20-BQJ	424A-16	424A-16
	424A-16	424A-16		424A-16	424A-16

PART NO.	FIG.NO.-REF.NO.	PART NO.	FIG.NO.-REF.NO.	PART NO.	FIG.NO.-REF.NO.
206A-23	108A-9	08332-1106A-000	170A-5	543A-17	474A-8
206A-23	108A-9		170A-5	543A-17	474A-8
206A-23	407A-10		170A-5	543A-19	474A-8
206A-23	407A-10		170A-5	543A-19	474A-8
08211-20352-000	407A-10		180A-11	543A-19	474A-9
201A-11	407A-10		180A-11	543A-19	474A-9
201A-11	543A-18		180A-11	103A-23	474A-9
201A-11	543A-18		180A-11	103A-23	474A-9
339A-18	543A-18		415A-7	103A-23	201A-7
339A-18	530A-7	08319-3112A-000	415A-7	108A-8	201A-7
339A-18	530A-18		415A-7	108A-8	201A-7
460A-11	530A-7		415A-16	108A-8	201A-7
460A-11	530A-7		415A-16	108A-8	201A-7
460A-11	530A-7		415A-16	108A-8	201A-7
460A-11	541A-8		415A-16	108A-8	201A-7
460A-11	541A-8		415A-16	108A-8	201A-7
08316-1006A-000	541A-8		415A-26	103A-10	103A-10
103A-14	541A-8		415A-26	103A-10	103A-10
103A-14	541A-8		415A-26	103A-10	103A-10
103A-14	543A-7		415A-26	103A-10	103A-10
103A-14	543A-7		415A-26	103A-10	103A-10
107A-3	543A-7	08361-3506A-000	301A-8	543A-9	103A-10
107A-3	543A-7		301A-8	543A-9	103A-10
107A-3	543A-10		301A-8	543A-9	103A-10
107A-3	543A-10		301A-8	543A-9	103A-10
460A-7	543A-10	09103-05025-000	126A-3	550A-18	312A-21
460A-7	543A-10		126A-3	550A-18	312A-21
460A-7	543A-10		126A-3	550A-18	312A-21
460A-7	550A-16	08319-3114A-000	126A-3	550A-18	312A-21
460A-7	550A-16		126A-3	550A-18	312A-21
505A-15	550A-16		126A-3	550A-18	312A-21
505A-15	550A-16		126A-3	550A-18	312A-21
505A-15	558A-15	08322-0106A-000	126A-6	550A-18	445A-10
505A-15	558A-15		126A-6	550A-18	445A-10
505A-15	558A-15		126A-6	550A-18	445A-10
467A-15	558A-15		103A-2	102A-4	445A-10
467A-15	558A-15	08322-0116A-000	103A-2	102A-4	445A-10
467A-15	558A-15		103A-2	102A-4	445A-10
500A-23	407A-4		103A-2	102A-4	445A-10
500A-23	407A-4	09103-06165-000	103A-3	102A-4	445A-10
500A-23	407A-4		103A-3	102A-4	445A-10
500A-23	212A-24	08331-31149-000	103A-3	102A-4	445A-10
500A-23	212A-24		103A-3	102A-4	445A-10
500A-23	212A-24		524A-16	163A-7	445A-10
500A-23	212A-24	09103-08351-000	524A-16	163A-7	445A-10
163A-15	212A-24		524A-16	163A-7	445A-10
163A-15	212A-24		524A-16	163A-7	445A-10
163A-15	124A-8	08331-31359-000	524A-16	163A-7	445A-10
163A-15	124A-8		524A-16	163A-7	445A-10
550A-19	124A-8		103A-22	163A-7	445A-10
550A-19	124A-8	09103-08555-000	103A-22	163A-7	445A-10
550A-19	124A-8		103A-22	163A-7	445A-10
550A-19	201A-19	08331-41309-000	103A-22	163A-7	445A-10
550A-19	201A-19		103A-22	163A-7	445A-10
550A-19	201A-19		103A-22	163A-7	445A-10
08319-3110A-000	108A-9	09103-10049-000	543A-17	163A-7	445A-10
108A-9	108A-9		543A-17	163A-7	445A-10

PART NO.	FIG.NO.-REF.NO.	PART NO.	FIG.NO.-REF.NO.	PART NO.	FIG.NO.-REF.NO.
120A-13	474A-8	09111-06072-000	474A-8	543A-17	474A-8
120A-13	474A-8		474A-8	543A-17	474A-8
424A-11	474A-8	09103-10213-000	474A-8	543A-19	474A-8
424A-11	474A-8		474A-8	543A-19	474A-8
424A-11	474A-9	09111-06102-000	474A-9	543A-19	474A-9
424A-11	474A-9		474A-9	543A-19	474A-9
445A-11	474A-9	09103-10471-000	474A-9	103A-23	474A-9
445A-11	474A-9		474A-9	103A-23	474A-9
445A-11	474A-9	09116-05147-000	474A-9	103A-23	474A-9
445A-11	474A-9		474A-9	103A-23	474A-9
445A-12	201A-7	09103-10723-000	201A-7	108A-8	201A-7
445A-12	201A-7		201A-7	108A-8	201A-7
445A-12	201A-7		201A-7	108A-8	201A-7
445A-12	201A-7		201A-7	108A-8	201A-7
445A-12	201A-7	09116-06111-000	185A-8	108A-8	201A-7
445A-12	185A-8		185A-8	108A-8	201A-7
445A-12	185A-8		185A-8	108A-8	201A-7
474A-10	185A-8	09103-12077-000	185A-8	543A-15	185A-8
474A-10	185A-8		185A-8	543A-15	185A-8
474A-10	185A-8	09119-06120-000	185A-8	543A-15	185A-8
474A-10	185A-8		185A-8	543A-15	185A-8
474A-10	103A-10	09103-12097-000	103A-10	543A-15	103A-10
474A-10	103A-10		103A-10	543A-15	103A-10
483A-9	103A-10	09103-12097-000	103A-10	543A-9	103A-10
483A-9	103A-10		103A-10	543A-9	103A-10
483A-9	103A-10	09128-06073-000	312A-21	543A-9	103A-10
483A-9	312A-21		312A-21	543A-9	103A-10
483A-9	312A-21		312A-21	543A-9	103A-10
483A-9	312A-21	09105-08011-000	550A-18	550A-18	312A-21
483A-9	312A-21		550A-18	550A-18	312A-21
483A-9	312A-21		550A-18	550A-18	312A-21
483A-9	312A-21	09136-06105-000	445A-10	550A-18	312A-21
483A-9	445A-10		445A-10	550A-18	312A-21
483A-9	445A-10	09106-07025-000	445A-10	550A-18	312A-21
483A-9	445A-10		445A-10	550A-18	312A-21
333A-5	445A-10	09106-08196-000	102A-4	102A-4	445A-10
333A-5	445A-10		102A-4	102A-4	445A-10
333A-5	445A-10		102A-4	102A-4	445A-10
333A-5	445A-10	09139-06027-000	163A-7	163A-7	445A-10
333A-5	445A-10		163A-7	163A-7	445A-10
333A-5	445A-10		163A-7	163A-7	445A-10
333A-5	445A-10	09106-08196-000	163A-7	163A-7	445A-10
333A-5	445A-10		163A-7	163A-7	445A-10
451A-7	451A-7		415A-19	415A-19	451A-7
451A-7	451A-7	09139-06057-000	415A-19	415A-19	451A-7
451A-7	451A-7		415A-19	415A-19	451A-7
451A-7	451A-7		415A-19	415A-19	451A-7
451A-7	451A-7	09139-06190-000	415A-19	415A-19	451A-7
451A-7	451A-7		415A-19	415A-19	451A-7
303A-5	303A-5		415A-18	415A-18	303A-5
303A-5	303A-5	09159-14037-000	415A-18	415A-18	303A-5
303A-5	303A-5		415A-18	415A-18	303A-5
303A-5	303A-5		415A-18	415A-18	303A-5
303A-5	303A-5	09111-06054-000	415A-18	415A-18	303A-5
303A-5	303A-5		415A-18	415A-18	303A-5
303A-5	303A-5		415A-18	415A-18	303A-5
303A-5	303A-5	09111-06054-000	415A-18	415A-18	303A-5
303A-5	303A-5		415A-18	415A-18	303A-5
303A-5	303A-5		415A-18	415A-18	303A-5
303A-5	303A-5	09111-06054-000	415A-18	415A-18	303A-5
303A-5	303A-5		415A-18	415A-18	303A-5
303A-5	303A-5		415A-18	415A-18	303A-5
303A-5	303A-5	09111-06054-000	415A-18	415A-18	303A-5
303A-5	303A-5		415A-18	415A-18	303A-5
303A-5	303A-5		415A-18	415A-18	303A-5
303A-5	303A-5	09111-06054-000	415A-18	415A-18	303A-5
303A-5	303A-5		415A-18	415A-18	303A-5
303A-5	303A-5		415A-18	415A-18	303A-5
303A-5	303A-5	09111-06054-000	415A-18	415A-18	303A-5
303A-5	303A-5		415A-18	415A-18	303A-5
303A-5	303A-5		415A-18	415A-18	303A-5
303A-5	303A-5	09111-06054-000	415A-18	415A-18	303A-5
303A-5	303A-5		415A-18	415A-18	303A-5
303A-5	303A-5		415A-18	415A-18	303A-5
303A-5	303A-5	09111-06054-000	415A-18	415A-18	303A-5
303A-5	303A-5		415A-18	415A-18	303A-5
303A-5	303A-5		415A-18	415A-18	303A-5
303A-5	303A-5	09111-06054-000	415A-18	415A-18	303A-5
303A-5	303A-5		415A-18	415A-18	303A-5
303A-5	303A-5		415A-18	415A-18	303A-5
303A-5	303A-5	09111-06054-000	415A-18	415A-18	303A-5
303A-5	303A-5		415A-18	415A-18	303A-5
303A-5	303A-5		415A-18	415A-18	303A-5
303A-5	303A-5	09111-06054-000	415A-18	415A-18	303A-5
303A-5	303A-5		415A-18	415A-18	303A-5
303A-5	303A-5		415A-18	415A-18	303A-5
303A-5	303A-5	09111-06054-000	415A-18	415A-18	303A-5
303A-5	303A-5		415A-18	415A-18	303A-5
303A-5	303A-5		415A-18	415A-18	303A-5
303A-5	303A-5	09111-06054-000	415A-18	415A-18	303A-5
303A-5	303A-5		415A-18	415A-18	303A-5
303A-5	303A-5		415A-18	415A-18	303A-5
303A-5	303A-5	09111-06054-000	415A-18	415A-18	303A-5
303A-5	303A-5		415A-18	415A-18	303A-5
303A-5	303A-5		415A-18	415A-18	303A-5
303A-5	303A-5	09111-06054-000	415A-18	415A-18	303A-5
303A-5	303A-5		415A-18	415A-18	303A-5
303A-5	303A-5		415A-18	415A-18	303A-5
303A-5	303A-5	09111-06054-000	415A-18	415A-18	303A-5
303A-5	303A-5		415A-18	415A-18	303A-5
303A-5	303A-5		415A-18	415A-18	303A-5
303A-5	303A-5	09111-06054-000	415A-18	415A-18	303A-5
303A-5	303A-5		415A-18	415A-18	303A-5
303A-5	303A-5		415A-18	415A-18	303A-5
303A-5	303A-5	09111-06054-000	415A-18	415A-18	303A-5
303A-5	303A-5		415A-18	415A-18	303A-5
303A-5	303A-5		415A-18	415A-18	303A-5
303A-5	303A-5	09111-06054-000	415A-18	415A-18	303A-5
303A-5	303A-5		415A-18	415A-18	303A-5
303A-5	303A-5		415A-18	415A-18	303A-5
303A-5	303A-5	09111-06054-000	415A-18	415A-18	303A-5
303A-5	303A-5		415A-18	415A-18	303A-5
303A-5	303A-5				

PART NO.	FIG.NO.-REF.NO.	PART NO.	FIG.NO.-REF.NO.	PART NO.	FIG.NO.-REF.NO.	PART NO.	FIG.NO.-REF.NO.
339A-15	212A-40	09180-06343-000	163A-9	09180-06343-000	163A-9	09180-06343-000	163A-9
339A-15	212A-40		163A-9		163A-9		163A-9
339A-15	103A-7	09180-06375-000	312A-8	09180-06375-000	312A-8	09180-06375-000	312A-8
339A-15	103A-7		312A-8		312A-8		312A-8
09160-06012-000	103A-7		312A-8		312A-8		312A-8
505A-14	103A-7		312A-8		312A-8		312A-8
505A-14	103A-7		312A-8		312A-8		312A-8
505A-14	112A-6	09180-08151-000	163A-12	09180-08151-000	163A-12	09180-08151-000	163A-12
505A-14	112A-6		163A-12		163A-12		163A-12
09160-06027-000	112A-6		163A-12		163A-12		163A-12
460A-6	112A-6		163A-12		163A-12		163A-12
09160-06028-000	180A-6	09180-13012-000	122A-3	09180-13012-000	122A-3	09180-13012-000	122A-3
163A-8	180A-6		122A-3		122A-3		122A-3
163A-8	180A-6		122A-3		122A-3		122A-3
163A-8	180A-6		122A-3		122A-3		122A-3
163A-8	180A-6		122A-3		122A-3		122A-3
312A-7	558A-3	09180-10033-000	163A-9	09180-10033-000	163A-9	09180-10033-000	163A-9
312A-7	558A-3		163A-9		163A-9		163A-9
312A-7	558A-3	09181-12010-000	541A-6	09181-12010-000	541A-6	09181-12010-000	541A-6
312A-7	558A-3		541A-6		541A-6		541A-6
09160-06060-000	108A-6	09188-10L02-000	541A-6	09188-10L02-000	541A-6	09188-10L02-000	541A-6
460A-6	108A-6		541A-6		541A-6		541A-6
09160-08092-000	108A-6		541A-6		541A-6		541A-6
103A-12	108A-6	09181-20139-000	206A-24	09181-20139-000	206A-24	09181-20139-000	206A-24
103A-12	108A-6		206A-24		206A-24		206A-24
163A-11	112A-10		206A-24		206A-24		206A-24
163A-11	112A-10		206A-24		206A-24		206A-24
163A-11	112A-10	09200-06037-000	558A-11	09200-06037-000	558A-11	09200-06037-000	558A-11
163A-11	112A-10		558A-11		558A-11		558A-11
09160-08144-000	103A-12	09188-12017-000	558A-11	09188-12017-000	558A-11	09188-12017-000	558A-11
103A-12	107A-7		558A-11		558A-11		558A-11
103A-12	107A-7		558A-11		558A-11		558A-11
201A-15	107A-7		558A-11		558A-11		558A-11
201A-15	107A-7		558A-11		558A-11		558A-11
201A-15	107A-7	09202-05035-000	124A-15	09202-05035-000	124A-15	09202-05035-000	124A-15
201A-15	107A-7		124A-15		124A-15		124A-15
201A-15	107A-7		124A-15		124A-15		124A-15
201A-15	107A-7		124A-15		124A-15		124A-15
09160-18022-000	407A-12	09189-06057-000	163A-19	09189-06057-000	163A-19	09189-06057-000	163A-19
407A-12	163A-19		163A-19		163A-19		163A-19
407A-12	163A-19		163A-19		163A-19		163A-19
09160-18043-000	407A-12	09189-06091-000	103A-4	09189-06091-000	103A-4	09189-06091-000	103A-4
407A-12	103A-4		103A-4		103A-4		103A-4
407A-12	103A-4		103A-4		103A-4		103A-4
407A-12	103A-4		103A-4		103A-4		103A-4
09160-12086-000	201A-10	09189-16009-000	103A-4	09189-16009-000	103A-4	09189-16009-000	103A-4
201A-10	201A-10		103A-4		103A-4		103A-4
201A-10	201A-10		103A-4		103A-4		103A-4
201A-10	201A-10		103A-4		103A-4		103A-4
09160-18043-000	201A-10	09206-08008-000	103A-4	09206-08008-000	103A-4	09206-08008-000	103A-4
212A-32	201A-10		103A-4		103A-4		103A-4
212A-32	201A-10		103A-4		103A-4		103A-4
212A-32	201A-10		103A-4		103A-4		103A-4
212A-32	201A-10		103A-4		103A-4		103A-4
09161-10009-000	536A-2	09180-06310-000	445A-14	09180-06310-000	445A-14	09180-06310-000	445A-14
536A-2	445A-14		445A-14		445A-14		445A-14
536A-2	445A-14		445A-14		445A-14		445A-14
536A-2	445A-14		445A-14		445A-14		445A-14
09164-16005-000	120A-16	09180-06325-000	312A-4	09180-06325-000	312A-4	09180-06325-000	312A-4
120A-16	312A-4		312A-4		312A-4		312A-4
120A-16	312A-4		312A-4		312A-4		312A-4
120A-16	312A-4		312A-4		312A-4		312A-4
09164-18002-000	212A-40	09180-06325-000	312A-4	09180-06325-000	312A-4	09180-06325-000	312A-4
212A-40	312A-4		312A-4		312A-4		312A-4
212A-40	312A-4		312A-4		312A-4		312A-4
212A-40	312A-4		312A-4		312A-4		312A-4

PART NO.	FIG.NO.-REF.NO.	PART NO.	FIG.NO.-REF.NO.	PART NO.	FIG.NO.-REF.NO.	PART NO.	FIG.NO.-REF.NO.
09262-15055-000	170A-7	09206-10014-000	170A-7	09206-10014-000	170A-7	09206-10014-000	170A-7
124A-12	170A-7		170A-7		170A-7		170A-7
124A-12	170A-7		170A-7		170A-7		170A-7
124A-12	170A-7		170A-7		170A-7		170A-7
09262-20178-000	108A-4		108A-4		108A-4		108A-4
206A-27	108A-4		108A-4		108A-4		108A-4
206A-27	108A-4		108A-4		108A-4		108A-4
206A-27	108A-4		108A-4		108A-4		108A-4
09260-33004-000	122A-4	09206-13007-000	122A-4	09206-13007-000	122A-4	09206-13007-000	122A-4
103A-20	122A-4		122A-4		122A-4		122A-4
103A-20	122A-4		122A-4		122A-4		122A-4
103A-20	122A-4		122A-4		122A-4		122A-4
09262-28058-000	415A-5		415A-5		415A-5		415A-5
120A-4	415A-5		415A-5		415A-5		415A-5
120A-4	415A-5		415A-5		415A-5		415A-5
120A-4	415A-5		415A-5		415A-5		415A-5
09262-35103-000	415A-5		415A-5		415A-5		415A-5
120A-5	415A-5		415A-5		415A-5		415A-5
120A-5	415A-5		415A-5		415A-5		415A-5
120A-5	415A-5		415A-5		415A-5		415A-5
09263-17046-000	415A-14		415A-14		415A-14		415A-14
543A-2	415A-14		415A-14		415A-14		415A-14
543A-2	415A-14		415A-14		415A-14		415A-14
543A-2	415A-14		415A-14		415A-14		415A-14
09283-14014-000	543A-2	09208-08020-000	415A-22	09208-08020-000	415A-22	09208-08020-000	415A-22
212A-22	543A-2		415A-22		415A-22		415A-22
212A-22	543A-2		415A-22		415A-22		415A-22
212A-22	543A-2		415A-22		415A-22		415A-22
09285-10008-000	543A-3		543A-3		543A-3		543A-3
201A-17	543A-3		543A-3		543A-3		543A-3
201A-17	543A-3		543A-3		543A-3		543A-3
201A-17	543A-3		543A-3		543A-3		543A-3
09285-25008-000	543A-13	09229-03019-000	474A-15	09229-03019-000	474A-15	09229-03019-000	474A-15
530A-4	543A-13		474A-15		474A-15		474A-15
530A-4	543A-13		474A-15		474A-15		474A-15
530A-4	543A-13		474A-15		474A-15		474A-15
09263-17057-000	543A-4	09229-03020-000	474A-15	09229-03020-000	474A-15	09229-03020-000	474A-15
543A-4	543A-4		474A-15		474A-15		474A-15
543A-4	543A-4		474A-15		474A-15		474A-15
543A-4	543A-4		474A-15		474A-15		474A-15
09289-04002-000	543A-4	09261-02001-000	170A-3	09261-02001-000	170A-3	09261-02001-000	170A-3
126A-14	543A-4		170A-3		170A-3		170A-3
126A-14	543A-4		170A-3		170A-3		170A-3
126A-14	543A-4		170A-3		170A-3		170A-3
09320-06027-000	122A-5		122A-5		122A-5		122A-5
423A-5	122A-5		122A-5		122A-5		122A-5
423A-5	122A-5		122A-5		122A-5		122A-5
423A-5	122A-5		122A-5		122A-5		122A-5
09320-08018-000	170A-4	09261-03002-000	180A-7	09261-03002-000	180A-7	09261-03002-000	180A-7
445A-15	170A-4		180A-7		180A-7		180A-7
445A-15	170A-4		180A-7		180A-7		180A-7
445A-15	170A-4		180A-7		180A-7		180A-7
09280-13010-000	170A-12	09261B03002N000	212A-9	09261B03002N000	212A-9	09261B03002N000	212A-9
451A-8	170A-12		212A-9		212A-9		212A-9
451A-8	170A-12		212A-9		212A-9		212A-9
451A-8	170A-12		212A-9		212A-9		212A-9
09280-14003-000	170A-12	09262-15054-000	124A-11	09262-15054-000	124A-11	09262-15054-000	124A-11
163A-10	170A-12		124A-11		124A-11		124A-11
163A-10	170A-12		124A-11		124A-11		124A-11
163A-10	170A-12		124A-11		124A-11		124A-11
09280-14003-000	112A-18	09262-15054-000	124A-11	09262-15054-000	124A-11	09262-15054-000	124A-11
112A-18	124A-11		124A-11		124A-11		124A-11
112A-18	124A-11		124A-11		124A-11		124A-11
112A-18	124A-11		124A-11		124A-11		124A-11

SUZUKI MALAYSIA SDN. BHD. 509097115119886200

No. 12 & 14, Jalan Jurunilai U1/20, Seksyen U1,
Hicom Glenmarie Industrial Park, 40150 Shah Alam, Selangor Darul Ehsan.

Tel: 603-5566 5688 Fax: 603-5566 5699

9900MGS150RFX