

# SUZUKI

PARTS CATALOGUE

## DL650A/XAL6

(JS1C7121/JS1C7122)

DL650A  
DL650XA



## V-STROM 650/650XT

E99

2015-6

1ST EDITION

# DL650AL6



PGZ



YYG



YVB



YMD

# DL650XAL6



PGZ



YYG



YVB



YMD

## PREFACE

When it becomes necessary to replace parts on SUZUKI MOTORCYCLES, always use SUZUKI GENUINE PARTS which have passed a strict inspection which guarantees quality and performance.

This parts catalogue covers the list of all service parts for SUZUKI DL650AL6,DL650XAL6.

### INSTRUCTIONS FOR QUOTING THE CATALOGUE

#### 1. DIMENSIONS

Dimensions of the parts in this catalogue are indicated in unit millimeters.

#### 2. ABBREVIATIONS

Abbreviations used in this catalogue are as follows:

|  |                        |           |                   |
|--|------------------------|-----------|-------------------|
| AR   | : As required          | NT        | : Number of teeth |
| ASSY   | : Assembly             | OPT       | : Optional        |
| E.NO.  | : Engine number        | OS        | : Over size       |
| F.NO.  | : Frame number         | STD       | : Standard        |
| D  | : Diameter of material | T         | : Thickness       |
| ID   | : Inside diameter      | US        | : Under size      |
| OD   | : Outside diameter     | W         | : Width           |
| L  | : Length               |           |                   |
| LH   | : Left hand side       |           |                   |
| RH   | : Right hand side      |           |                   |
| ~100045  | : Up to F.NO.100045    |           |                   |
| 100046~  | : From F.NO.100046     |           |                   |
| <u>12 x 34 x 5.6</u> ..... Figures in the description column |                        |           |                   |
| show the dimensions of parts.                                |                        |           |                   |
| ID   | OD                     | T(or W,L) |                   |

→12345-56781 (Parts No.) : indicates that the parts number was changed to 12345-56781 and the new parts are interchangeable with the former ones but the former ones are not interchangeable with new ones.

←12345-56781 (Parts No.) : indicates that the former and parts are interchangeable with each other and both are usable.

#### 3. INNER PARTS OF ASSEMBLY

Part name with a dot (.) in front as shown in the description column indicates the component of the assembly also available individually.

#### 4. MODIFICATION NOTICE

A parts bulletin will be sent to you on all occasions when changes in parts occur, including interchangeable modifications between new parts and old ones.

#### 5. NOTE

5-1. There are some different parts from those of production models among spare parts for the administrative reasons and common use of them with other models.

5-2. In respect of rubber hoses and vinyl tubes, please be sure to use them by cutting off according to the length mentioned on parts catalogue or what is actually required on the vehicle.

5-3. Note that the drawings on the illustration page are for ready reference of spare parts number, not to be used as an assembly manual. When assembling, use "SUZUKI SERVICE MANUAL".

#### 6. SPECIFICATION CODE

This catalogue contains the parts for the model designed for the following spec.; spec. code : E99.

#### 7. SERIAL FRAME NUMBER

DL650AL6 : JS1C71213G0100001~

DL650XAL6 : JS1C71223G0100001~

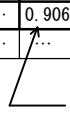


MILLIMETER → INCH CONVERSION CHART

|    | 0     | 1     | 2     | 3     | 4     | 5     | 6     | 7     | 8     | 9     |
|----|-------|-------|-------|-------|-------|-------|-------|-------|-------|-------|
| 00 | .000  | .039  | .079  | .118  | .157  | .197  | .236  | .276  | .315  | .354  |
| 10 | .394  | .433  | .472  | .512  | .551  | .591  | .630  | .669  | .709  | .748  |
| 20 | .787  | .827  | .866  | .906  | .945  | .984  | 1.024 | 1.063 | 1.102 | 1.142 |
| 30 | 1.181 | 1.220 | 1.260 | 1.299 | 1.339 | 1.378 | 1.417 | 1.457 | 1.496 | 1.535 |
| 40 | 1.575 | 1.614 | 1.654 | 1.693 | 1.732 | 1.772 | 1.811 | 1.850 | 1.890 | 1.929 |
| 50 | 1.969 | 2.008 | 2.047 | 2.087 | 2.126 | 2.165 | 2.205 | 2.214 | 2.283 | 2.323 |
| 60 | 2.362 | 2.402 | 2.441 | 2.480 | 2.520 | 2.559 | 2.598 | 2.638 | 2.677 | 2.717 |
| 70 | 2.756 | 2.795 | 2.835 | 2.874 | 2.913 | 2.953 | 2.992 | 3.031 | 3.071 | 3.110 |
| 80 | 3.150 | 3.189 | 3.228 | 3.268 | 3.307 | 3.346 | 3.386 | 3.425 | 3.465 | 3.504 |
| 90 | 3.543 | 3.583 | 3.622 | 3.661 | 3.701 | 3.740 | 3.780 | 3.819 | 3.858 | 3.898 |

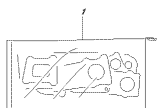
How to read

|    | 0   | 1   | 2   | 3     | 4   |
|----|-----|-----|-----|-------|-----|
| 00 | ... | ... | ... | ...   | ... |
| 10 | ... | ... | ... | ...   | ... |
| 20 | ... | ... | ... | 0.906 | ... |
| 30 | ... | ... | ... | ...   | ... |


 23 millimeters equal 0.906 inch

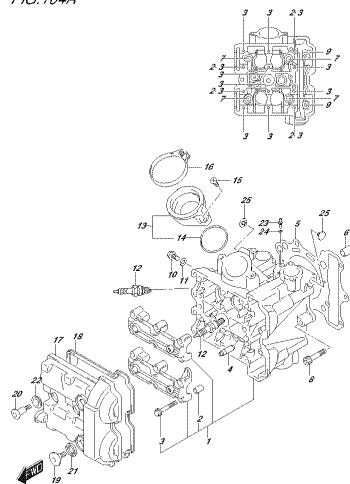
Contents are subject to change without notice or obligation.

FIG. 101A



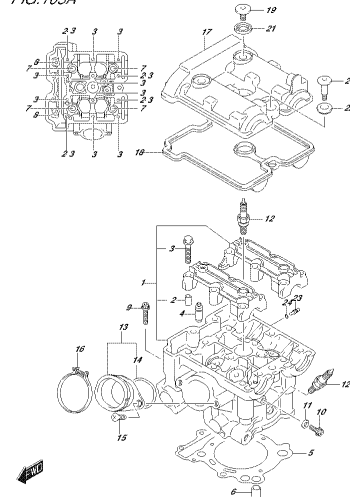
23.652ALU.ERL.101A  
DECKEL 257

FIG. 104A



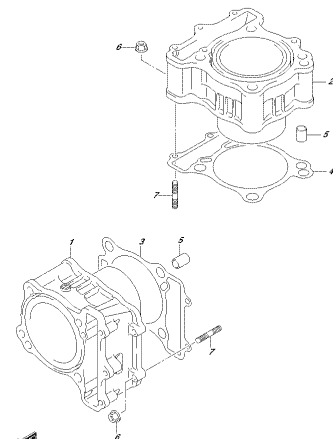
23.652ALU.ERL.104A  
ZYLINDERHEAD (FRONT)

FIG. 105A



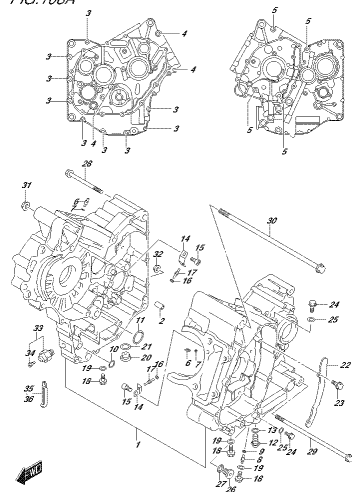
23.652ALU.ERL.105A  
ZYLINDERHEAD (REAR)

FIG. 107A



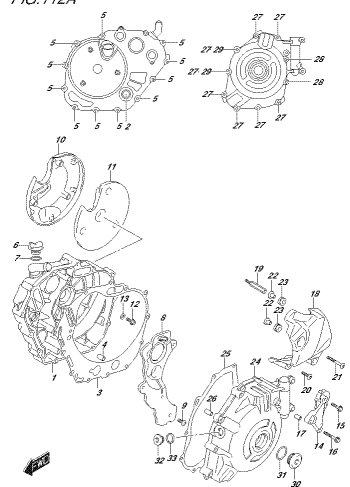
23.652ALU.ERL.107A  
ZYLINDER

FIG. 108A



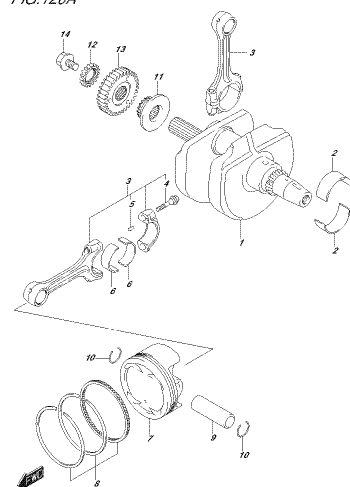
23.652ALU.ERL.108A  
CRANKCASE

FIG. 112A



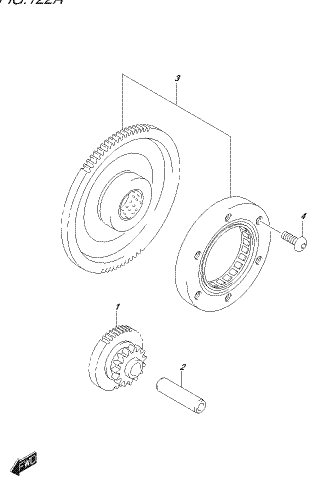
23.652ALU.ERL.112A  
CRANKCASE COVER

FIG. 120A



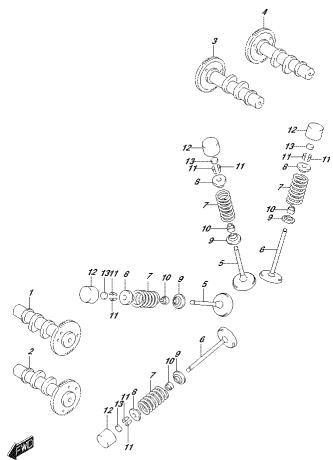
23.652ALU.ERL.120A  
CRANKCASE

FIG. 122A



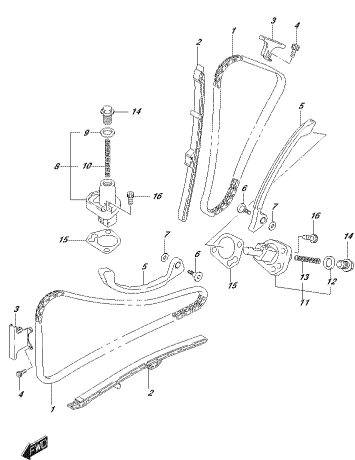
23.652ALU.ERL.122A  
STARTER-GEHÄUSE

FIG. 126A



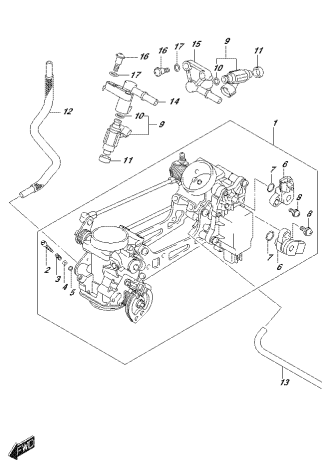
23.0832ALIE.ERL.1074  
DREHSCHEIBENLAGE

FIG. 127A



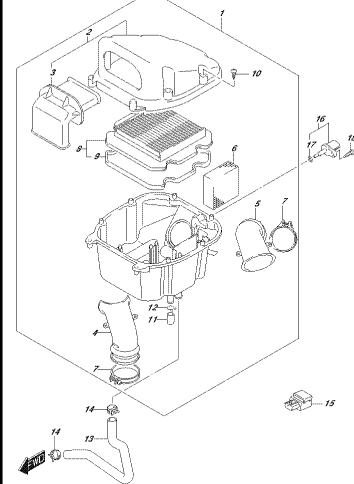
23.0832ALIE.ERL.1074  
DREHSCHEIBE

FIG. 140A



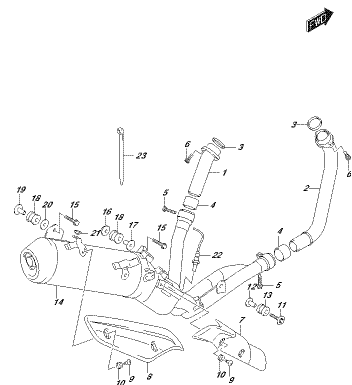
23.0832ALIE.ERL.1074  
FÜRSCHEIBE-30377

FIG. 155A



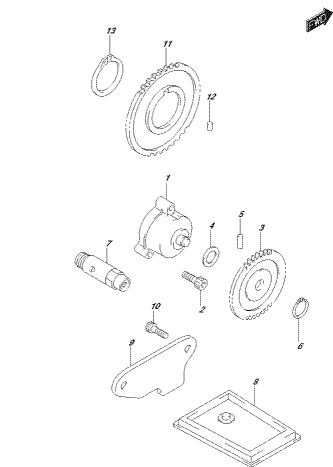
23.0832ALIE.ERL.1074  
489-G-2-ANGEP.

FIG. 163A



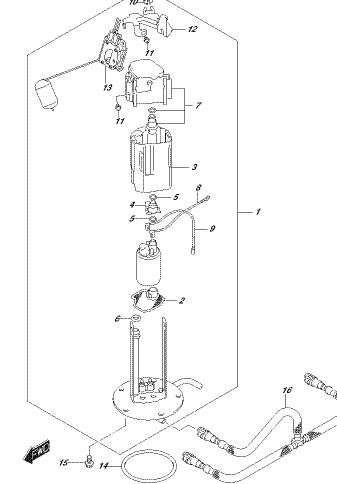
23.0832ALIE.ERL.1074  
ALUFLEGER

FIG. 170A



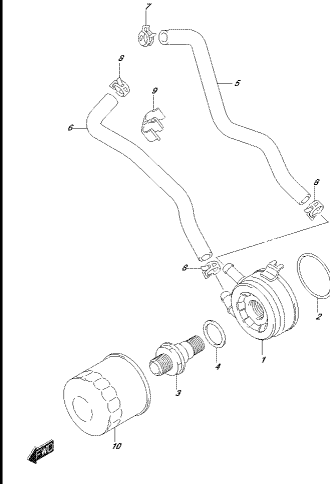
23.0832ALIE.ERL.1074  
ÖL-PUMPE

FIG. 172A



23.0832ALIE.ERL.1074  
FLÜß-PUMPE

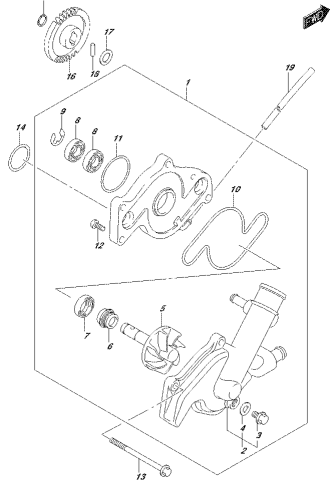
FIG. 178A



23.0832ALIE.ERL.1074  
ÖL-COOLER

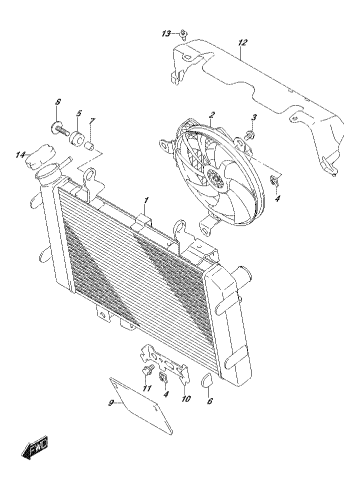


FIG.180A



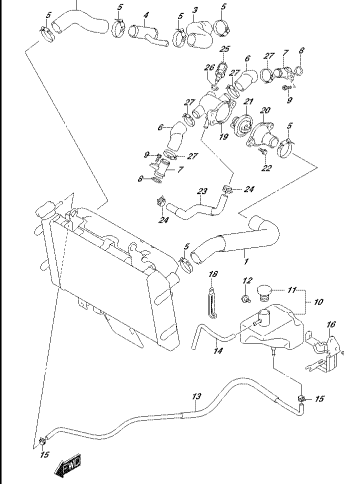
23.65241E\_ERS\_1084  
PUMP

FIG.185A



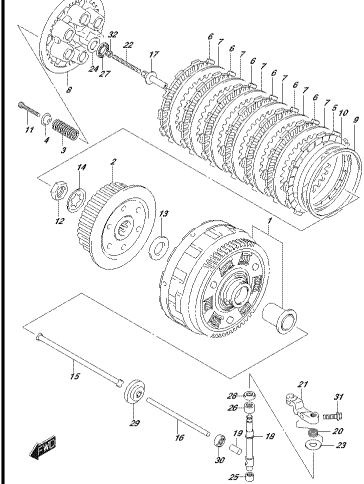
23.65241E\_ERS\_1084  
RADIATOR

FIG.187A



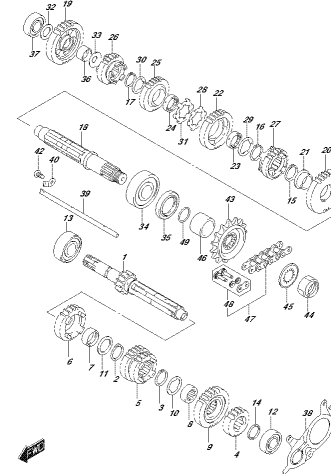
23.65241E\_ERS\_1084  
ENGINE

FIG.201A



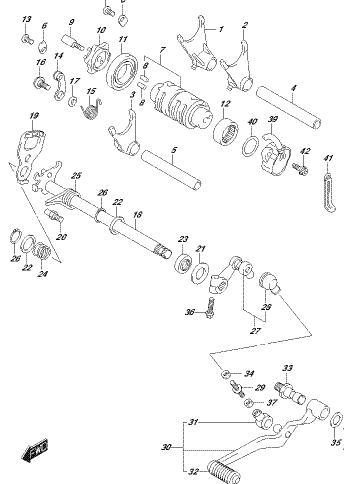
23.65241E\_ERS\_1014  
CLUTCH

FIG.206A



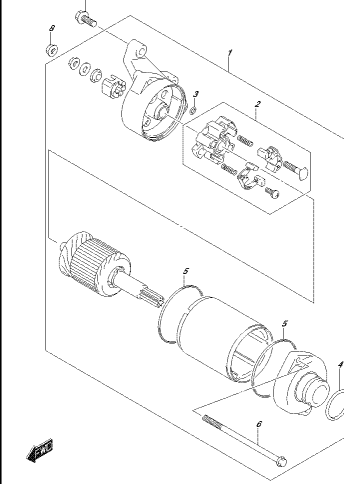
23.65241E\_ERS\_1084  
TRANSMISSION

FIG.212A



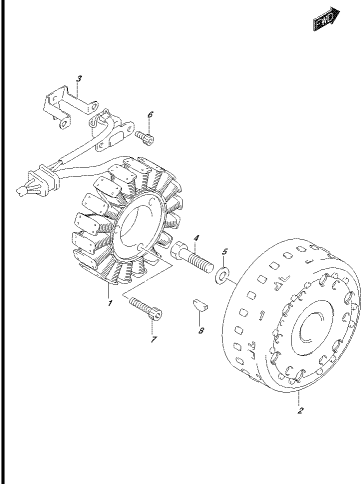
23.65241E\_ERS\_1014  
GEAR SHIFTING

FIG.301A



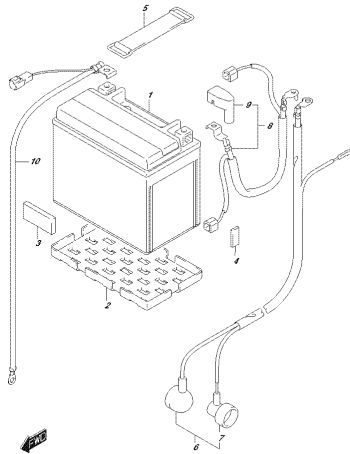
23.65241E\_ERS\_1014  
STARTING MOTOR

FIG.303A



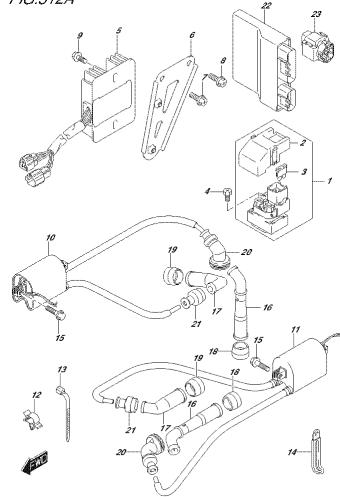
23.65241E\_ERS\_1034  
MAGNET

FIG.310A



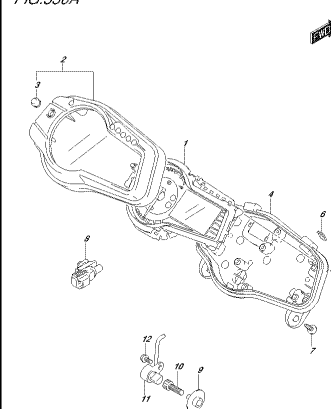
23.082ALIE\_EPR\_310A  
ELECTRICAL

FIG.312A



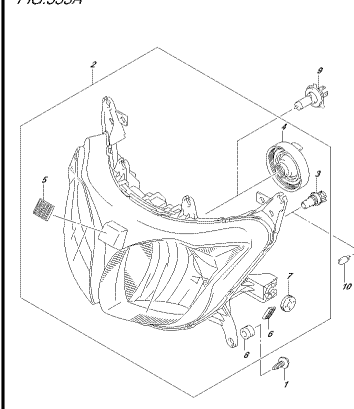
23.082ALIE\_EPR\_312A  
ELECTRICAL

FIG.330A



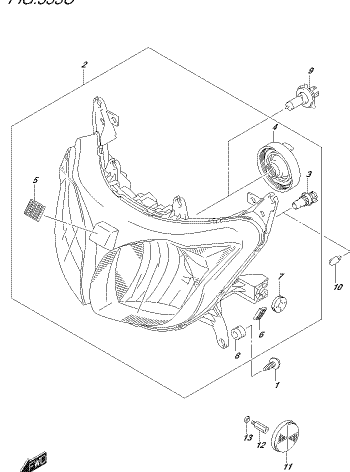
23.082ALIE\_EPR\_330A  
REAR CONSTRUCTION LAMP

FIG.333A



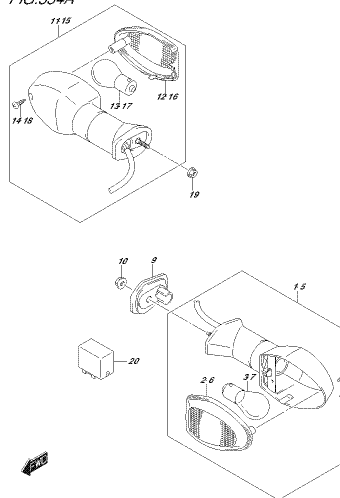
23.082ALIE\_EPR\_333A  
REAR LAMP

FIG.333C



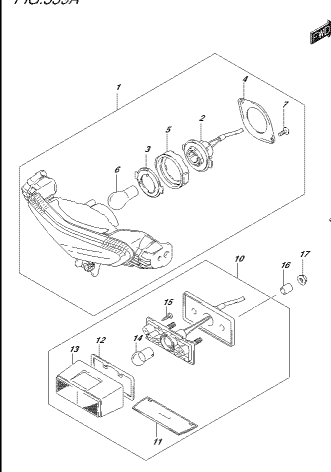
23.082ALIE\_EPR\_333C  
REAR LAMP

FIG.334A



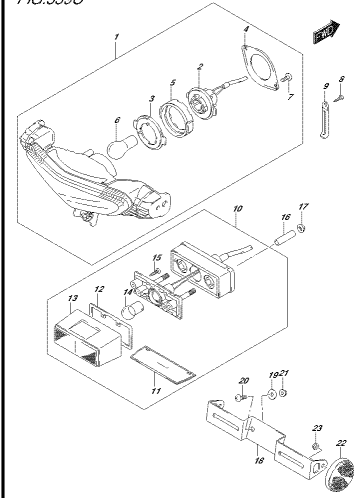
23.082ALIE\_EPR\_334A  
REAR CONSTRUCTION LAMP

FIG.339A



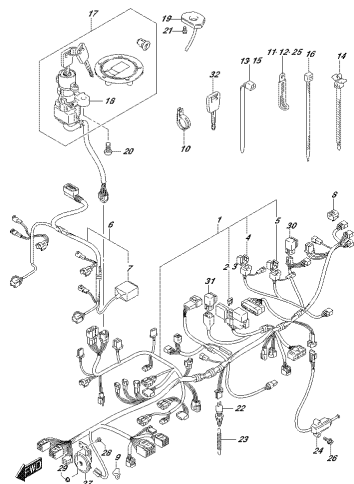
23.082ALIE\_EPR\_339A  
REAR CONSTRUCTION LAMP

FIG.339C



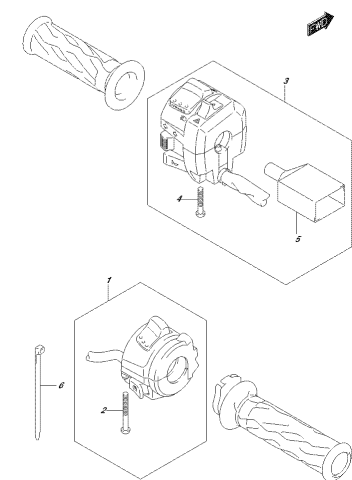
23.082ALIE\_EPR\_339C  
REAR CONSTRUCTION LAMP

FIG.350A



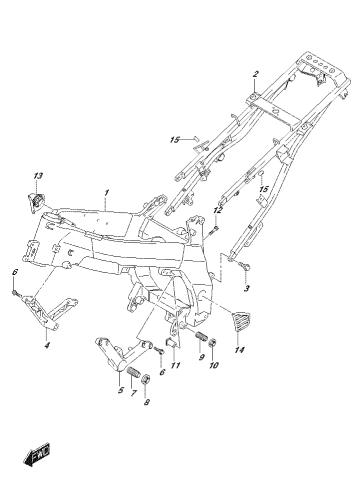
ELIESTALE\_ERS\_350A  
BATTERY PACK/CELL

FIG.355A



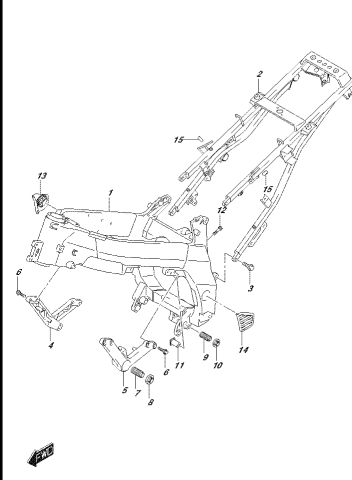
ELIESTALE\_ERS\_355A  
BATTERY PACK/CELL

FIG.401A



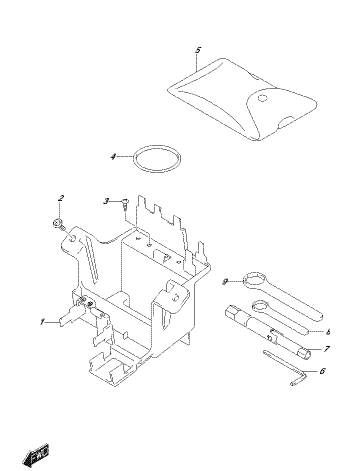
ELIESTALE\_ERS\_401A  
BATTERY PACK

FIG.401B



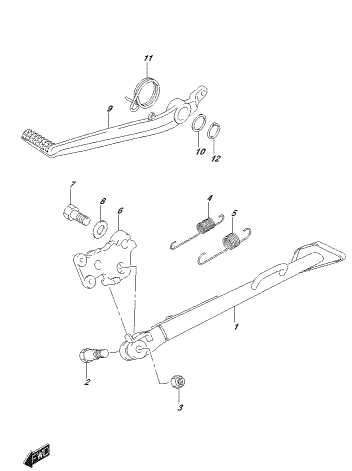
ELIESTALE\_ERS\_401B  
BATTERY PACK

FIG.405A



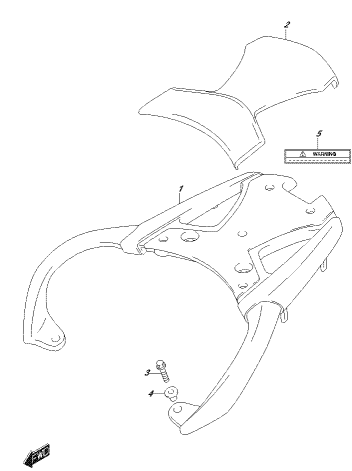
ELIESTALE\_ERS\_405A  
BATTERY HOLDER

FIG.407A



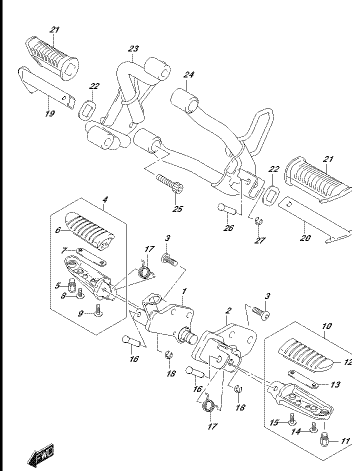
ELIESTALE\_ERS\_407A  
STAKED

FIG.412A



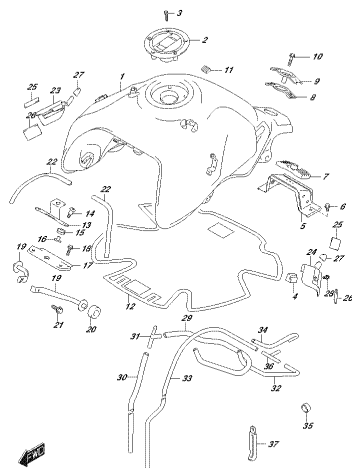
ELIESTALE\_ERS\_412A  
CARRIER

FIG.415A



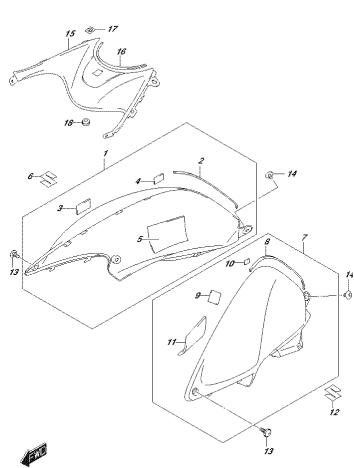
ELIESTALE\_ERS\_415A  
FLYOUT/RESE

FIG. 420A



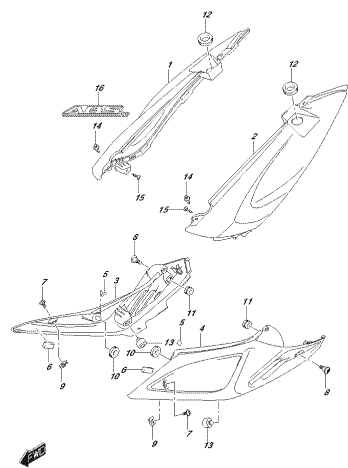
COLIBRIALIE\_EPR\_420A  
FILE: 74701

FIG. 423A



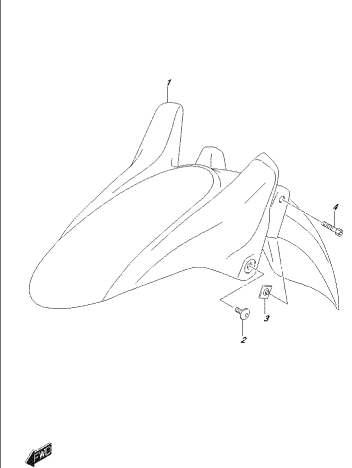
COLIBRIALIE\_EPR\_423A  
FILE: 74701/CO232

FIG. 445A



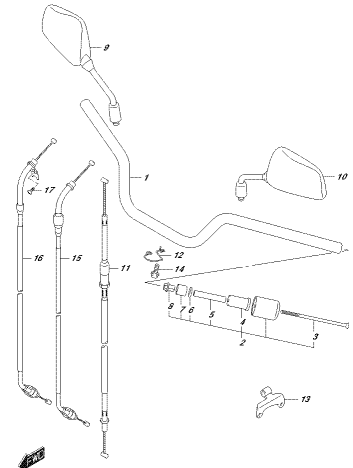
COLIBRIALIE\_EPR\_445A  
FILE: 74701/CO452

FIG. 460A



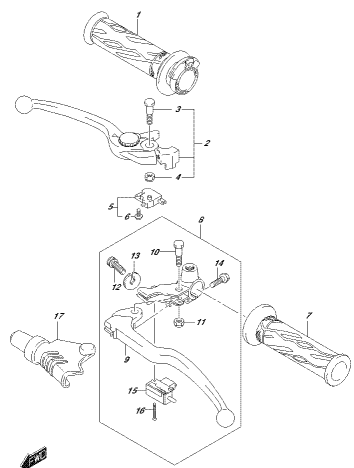
COLIBRIALIE\_EPR\_460A  
FILE: 74701/CO602

FIG. 462A



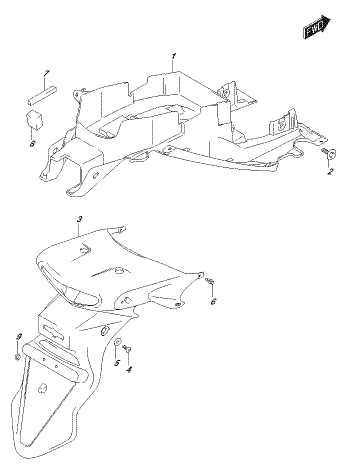
COLIBRIALIE\_EPR\_462A  
HANDLEBAR

FIG. 467A



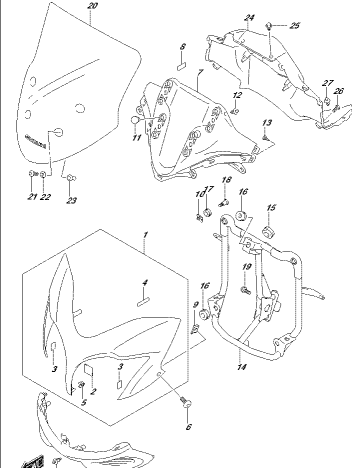
COLIBRIALIE\_EPR\_467A  
HANDLEBARS

FIG. 474A

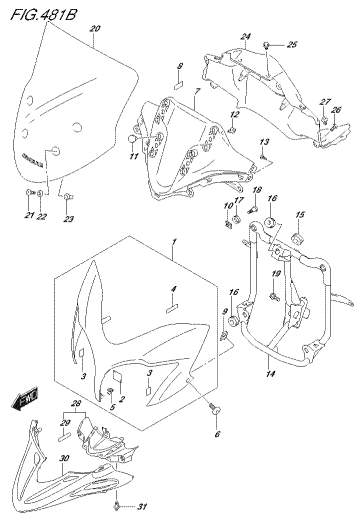


COLIBRIALIE\_EPR\_474A  
HANDLEBARS

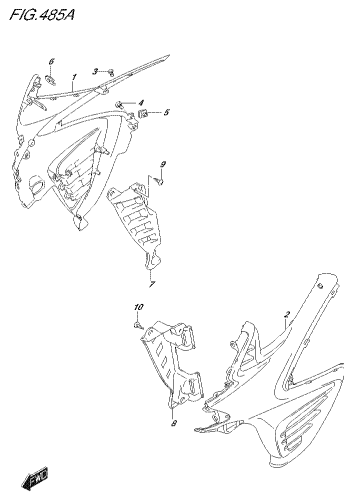
FIG. 481A



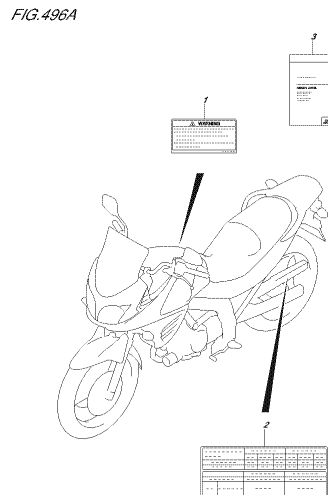
COLIBRIALIE\_EPR\_481A  
HANDLEBARS



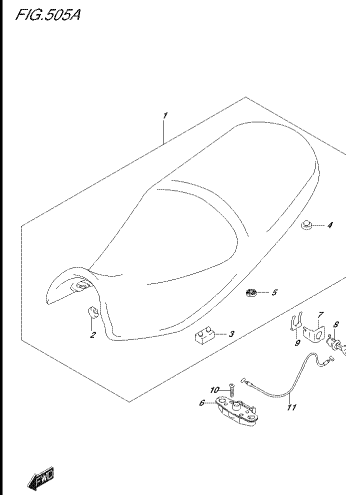
23.052ALIE\_ERP\_481B  
FRONT MIRROR



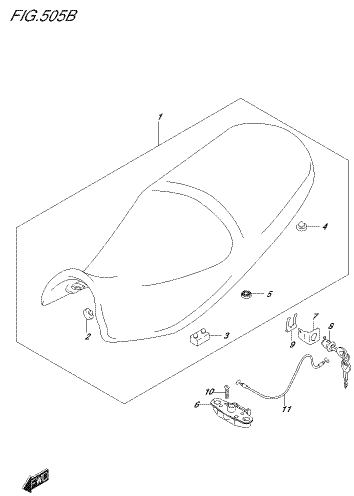
23.052ALIE\_ERP\_485A  
FRONT FAIRING



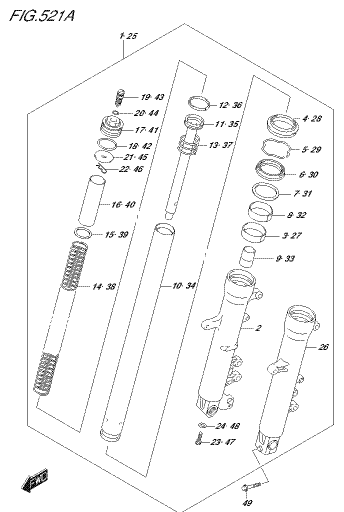
23.052ALIE\_ERP\_496A  
FAIRING



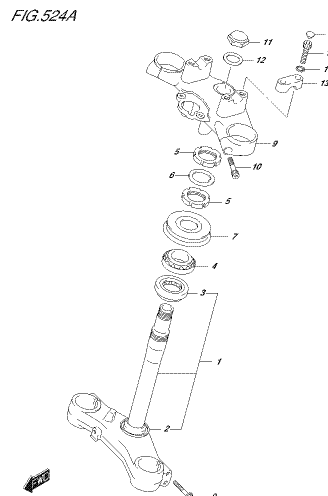
23.052ALIE\_ERP\_505A  
SEAT



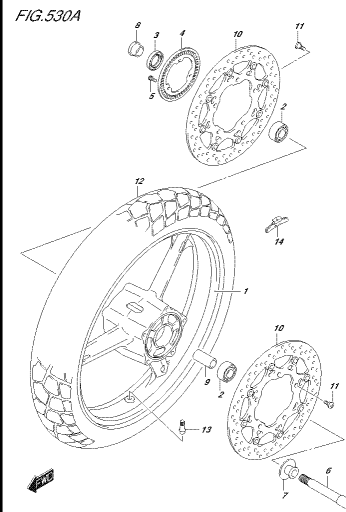
23.052ALIE\_ERP\_505B  
SEAT



23.052ALIE\_ERP\_521A  
FRONT FORK DAMPER

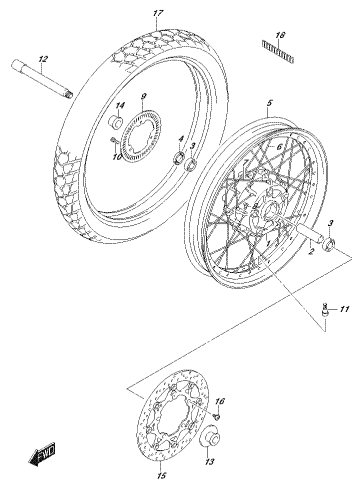


23.052ALIE\_ERP\_524A  
STEERING STEM



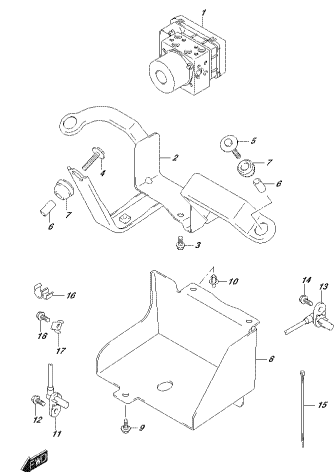
23.052ALIE\_ERP\_530A  
FRONT WHEEL

FIG.530B



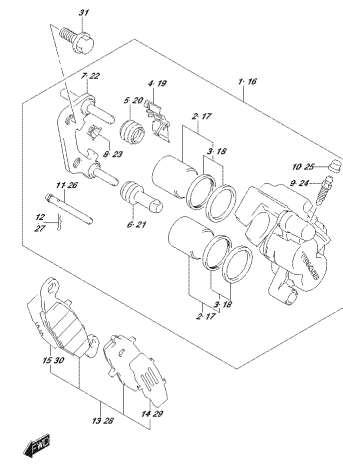
23.652ALU\_EPR\_530B  
FRONT WHEEL

FIG.533A



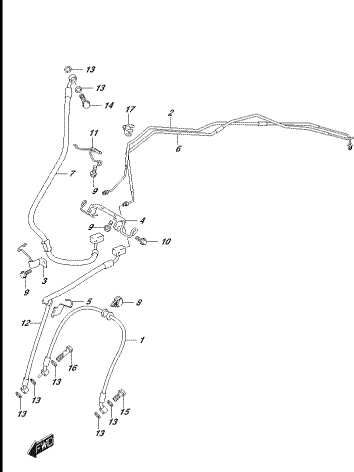
23.652ALU\_EPR\_533A  
ORIGINAL EQUIPMENT

FIG.535A



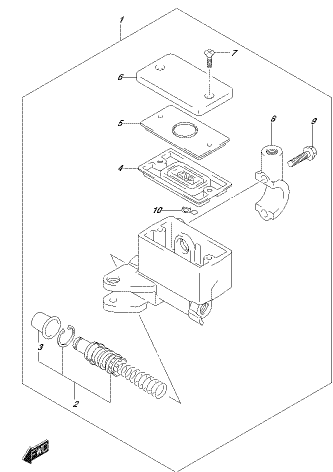
23.652ALU\_EPR\_535A  
FRONT BRAKE HOSE

FIG.536A



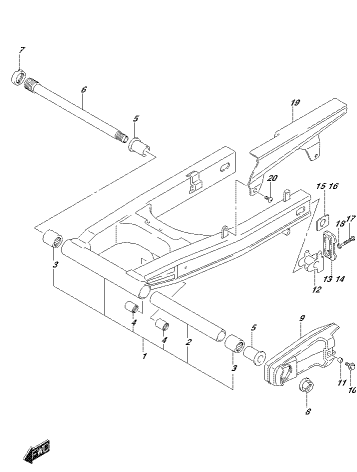
23.652ALU\_EPR\_536A  
FRONT BRAKE HOSE

FIG.537A



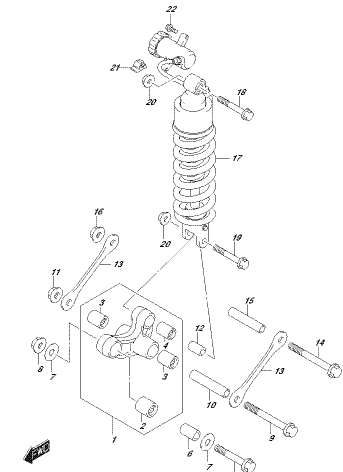
23.652ALU\_EPR\_537A  
FRONT MASTER CYLINDER

FIG.541A



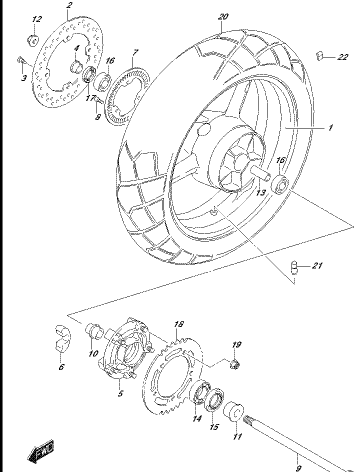
23.652ALU\_EPR\_541A  
REAR SHOCK ABSORBER

FIG.543A



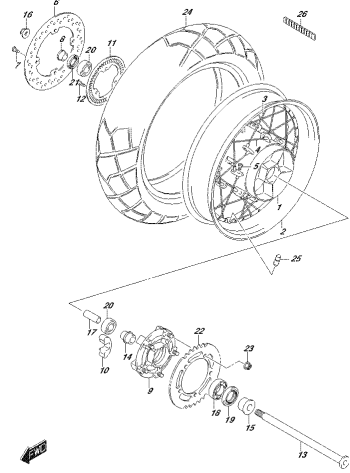
23.652ALU\_EPR\_543A  
REAR SHOCK ABSORBER

FIG.550A



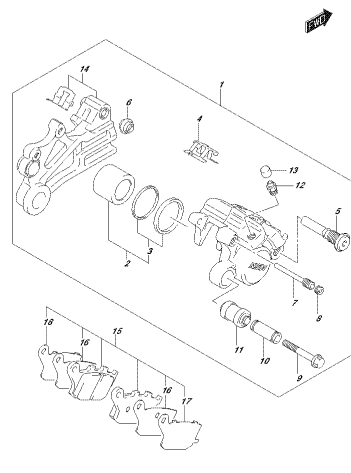
23.652ALU\_EPR\_550A  
REAR WHEEL

FIG.550B



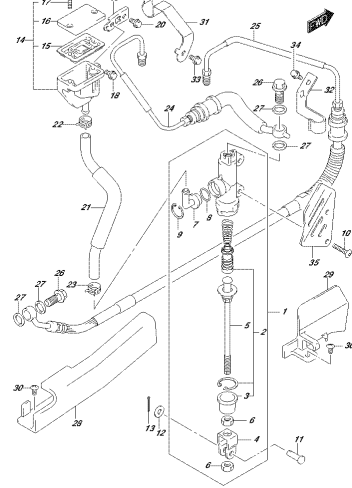
23.652ALIE\_EPR\_2507  
25.40.00.022

FIG.555A



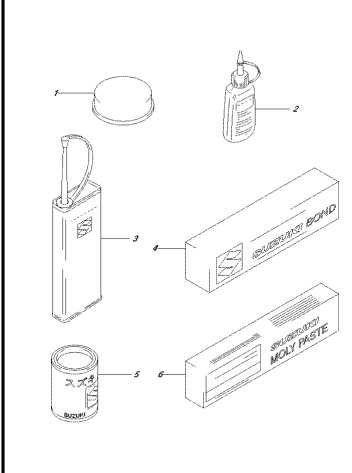
23.652ALIE\_EPR\_2504  
25.40.00.022

FIG.558A



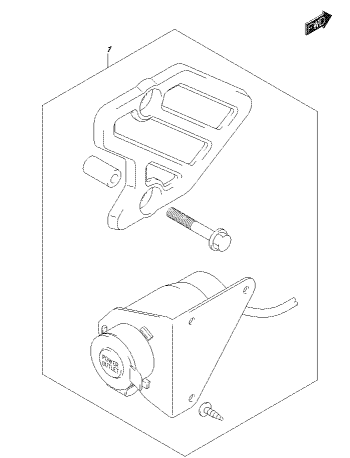
23.652ALIE\_EPR\_2504  
25.40.00.022

FIG.901A



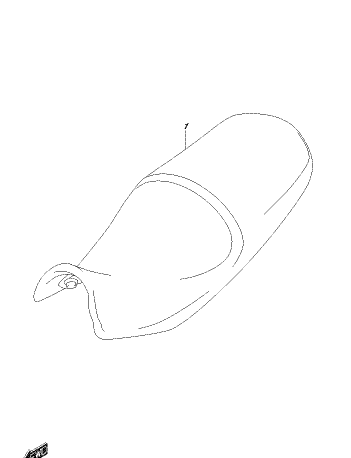
23.652ALIE\_EPR\_9014  
OPTIONAL

FIG.970A



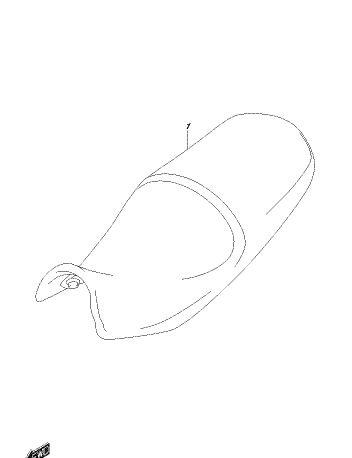
23.652ALIE\_EPR\_9704  
OPTIONAL (POWER SOURCE TERMINAL SET)

FIG.970B



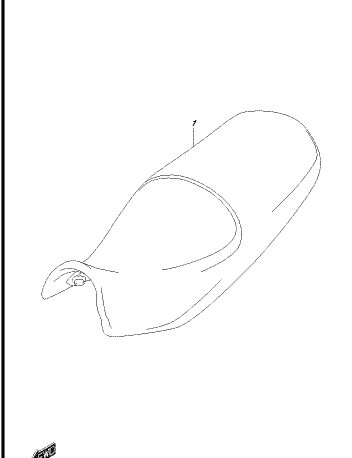
23.652ALIE\_EPR\_9707  
OPTIONAL (LOW SEAT)

FIG.970C



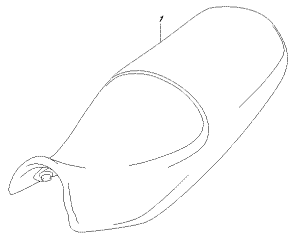
23.652ALIE\_EPR\_9707  
OPTIONAL (LOW SEAT)

FIG.970D



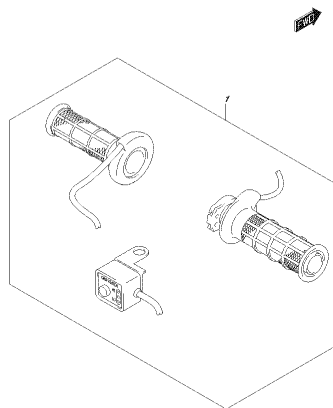
23.652ALIE\_EPR\_9707  
OPTIONAL (HIGH SEAT)

FIG.970E



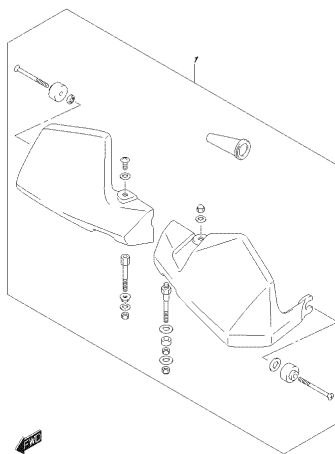
31.00041\_00R\_0105  
007020K\_0001(SEAT)

FIG.970F



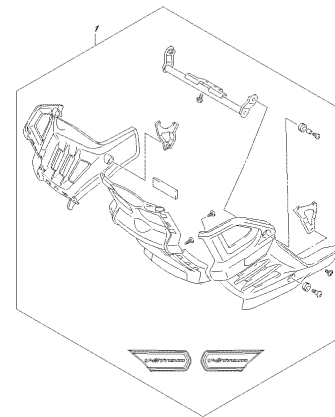
31.00041\_00R\_0105  
007020K\_0001(HEATER SET)

FIG.970G



31.00041\_00R\_0105  
007020K\_0001(COVER SET)

FIG.970H



31.00041\_00R\_0105  
007020K\_0001(SLIDER COVER SET)



FIG.101A

FIG.101A (1-B-2) GASKET SET

| REF NO. | PART NO.    | DESCRIPTION                  | Q'TY | REMARKS         |
|---------|-------------|------------------------------|------|-----------------|
| 1       | 11403-44810 | GASKET SET                   | 1    | OPT             |
| 2       | 11141-20F00 | .GASKET, CYLINDER HEAD       | 2    | NOT ILLUSTRATED |
| 3       | 11173-19F01 | .GASKET, CYLINDER HEAD COVER | 2    | NOT ILLUSTRATED |
| 4       | 11241-19F10 | .GASKET, CYLINDER FRONT      | 1    | NOT ILLUSTRATED |
| 5       | 11242-19F00 | .GASKET, CYLINDER REAR       | 1    | NOT ILLUSTRATED |
| 6       | 11482-44H00 | .GASKET, CLUTCH COVER        | 1    | NOT ILLUSTRATED |
| 7       | 11483-19F00 | .GASKET, MAGNETO COVER       | 1    | NOT ILLUSTRATED |
| 8       | 12837-27G00 | .GASKET, TENSIONER ADJUSTER  | 2    | NOT ILLUSTRATED |
| 9       | 14181-22D01 | .GASKET, EXHAUST PIPE        | 2    | NOT ILLUSTRATED |
| 10      | 11191-27E00 | .WASHER                      | 4    | NOT ILLUSTRATED |

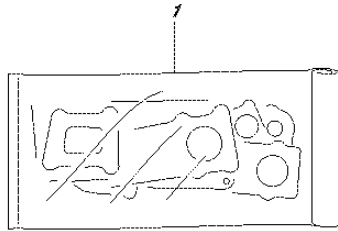


FIG.104A

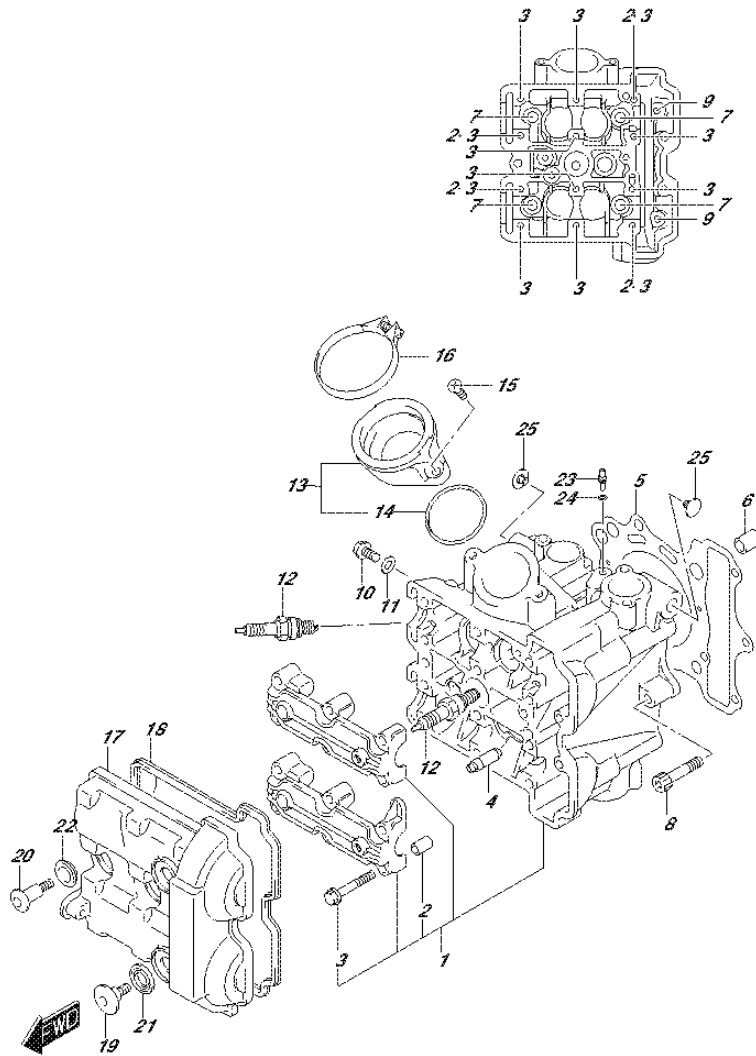


FIG.104A (1-B-3) CYLINDER HEAD (FRONT)

| REF NO. | PART NO.    | DESCRIPTION                 | Q'TY | REMARKS      |
|---------|-------------|-----------------------------|------|--------------|
| 1       | 11101-44H00 | HEAD ASSY, CYLINDER FRONT   | 1    |              |
| 2       | 09206-08001 | .PIN (8X11)                 | 4    |              |
| 3       | 09103-06266 | .BOLT (6X40)                | 12   |              |
| 4       | 11115-18D72 | GUIDE, VALVE (OS:0.3)       | 4    | OPT          |
| 5       | 11141-20F00 | GASKET, CYLINDER HEAD       | 1    |              |
| 6       | 04211-13189 | PIN                         | 2    |              |
| 7       | 11117-44H00 | BOLT (10X160)               | 4    |              |
| 8       | 07120-0640A | BOLT                        | 1    |              |
| 9       | 09103-06103 | BOLT (6X70)                 | 2    |              |
| 10      | 01550-0612A | BOLT                        | 1    |              |
| 11      | 09168-06023 | GASKET (5.8X13X1.2)         | 1    |              |
| 12-1    | 09482-00556 | SPARK PLUG (CR8EIA-9)       | 2    | NGK          |
| 12-2    | 09482-00555 | SPARK PLUG (IU24D)          | 2    | DENSO        |
| 12-3    | 09482-00558 | SPARK PLUG (CR9EIA-9)       | 2    | OPT<br>NGK   |
| 12-4    | 09482-00557 | SPARK PLUG (IU27D)          | 2    | OPT<br>DENSO |
| 12-5    | 09482-00554 | SPARK PLUG (CR7EIA-9)       | 2    | OPT<br>NGK   |
| 13      | 13101-17G10 | PIPE ASSY, INTAKE FRONT     | 1    |              |
| 14      | 09280-46006 | .O RING (D:2.4,ID:47X42)    | 1    |              |
| 15      | 02122-0616B | SCREW                       | 2    |              |
| 16      | 13827-40H01 | CLAMP                       | 1    |              |
| 17      | 11171-19F20 | COVER, CYLINDER HEAD FRONT  | 1    |              |
| 18      | 11173-19F01 | GASKET, CYLINDER HEAD COVER | 1    |              |
| 19      | 09106-07009 | BOLT (7X17.5)               | 2    |              |
| 20      | 09106-07010 | BOLT (7X31)                 | 1    |              |
| 21      | 11191-27E00 | WASHER                      | 2    |              |
| 22      | 11192-13E00 | CUSHION, HEAD COVER BOLT    | 1    |              |
| 23      | 09493-80005 | JET(8)                      | 1    |              |
| 24      | 09280-04004 | O RING (D:1.2,ID:4)         | 1    |              |
| 25      | 11151-27G00 | CAP                         | 2    |              |

FIG.105A

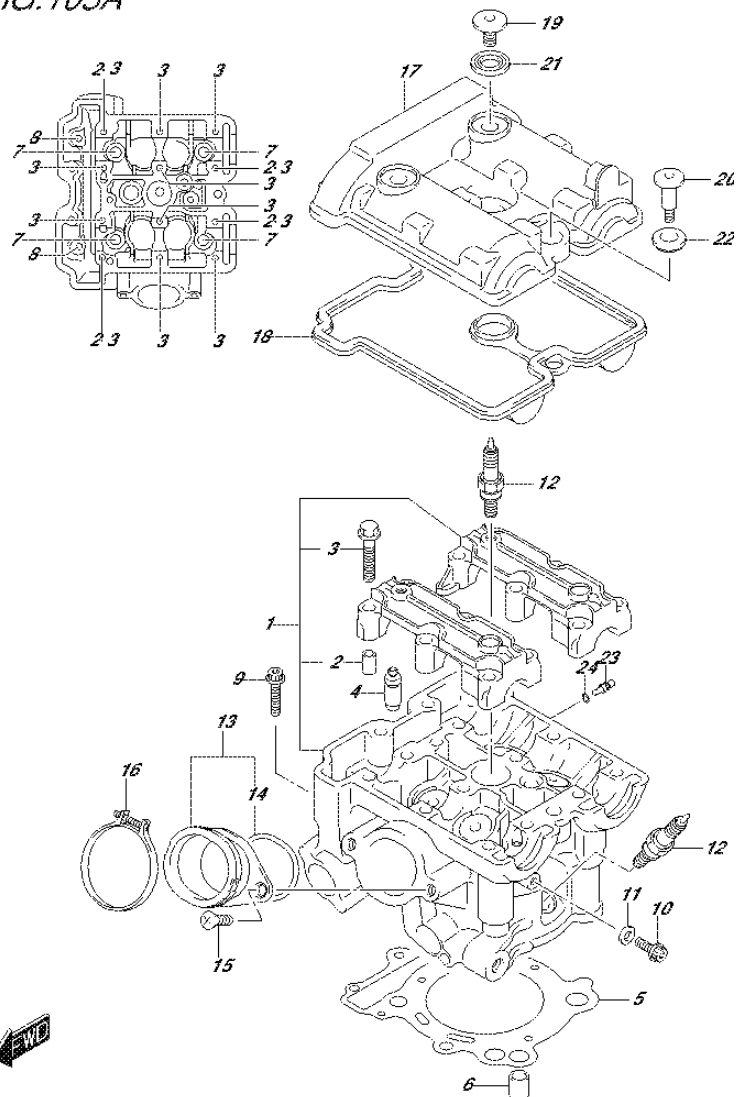


FIG.105A (1-B-4) CYLINDER HEAD (REAR)

| REF NO. | PART NO.    | DESCRIPTION                 | Q'TY | REMARKS      |
|---------|-------------|-----------------------------|------|--------------|
| 1       | 11103-44H10 | HEAD ASSY, CYLINDER REAR    | 1    |              |
| 2       | 09206-08001 | .PIN (8X11)                 | 4    |              |
| 3       | 09103-06266 | .BOLT (6X40)                | 12   |              |
| 4       | 11115-18D72 | GUIDE, VALVE (OS:0.3)       | 4    | OPT          |
| 5       | 11141-20F00 | GASKET, CYLINDER HEAD       | 1    |              |
| 6       | 04211-13189 | PIN                         | 2    |              |
| 7       | 11117-44H00 | BOLT (10X160)               | 4    |              |
| 8       | 09103-06103 | BOLT (6X70)                 | 2    |              |
| 9       | 07120-0640A | BOLT                        | 1    |              |
| 10      | 01550-0612A | BOLT                        | 1    |              |
| 11      | 09168-06023 | GASKET (5.8X13X1.2)         | 1    |              |
| 12-1    | 09482-00556 | SPARK PLUG (CR8EIA-9)       | 2    | NGK          |
| 12-2    | 09482-00555 | SPARK PLUG (IU24D)          | 2    | DENSO        |
| 12-3    | 09482-00558 | SPARK PLUG (CR9EIA-9)       | 2    | OPT<br>NGK   |
| 12-4    | 09482-00557 | SPARK PLUG (IU27D)          | 2    | OPT<br>DENSO |
| 12-5    | 09482-00554 | SPARK PLUG (CR7EIA-9)       | 2    | OPT<br>NGK   |
| 13      | 13102-17G10 | PIPE ASSY, INTAKE REAR      | 1    |              |
| 14      | 09280-46006 | .O RING (D:2.4,ID:47X42)    | 1    |              |
| 15      | 02122-0616B | SCREW                       | 2    |              |
| 16      | 13827-40H01 | CLAMP                       | 1    |              |
| 17      | 11172-19F20 | COVER, CYLINDER HEAD REAR   | 1    |              |
| 18      | 11173-19F01 | GASKET, CYLINDER HEAD COVER | 1    |              |
| 19      | 09106-07009 | BOLT (7X17.5)               | 2    |              |
| 20      | 09106-07010 | BOLT (7X31)                 | 1    |              |
| 21      | 11191-27E00 | WASHER                      | 2    |              |
| 22      | 11192-13E00 | CUSHION, HEAD COVER BOLT    | 1    |              |
| 23      | 09493-80005 | JET(8)                      | 1    |              |
| 24      | 09280-04004 | O RING (D:1.2,ID:4)         | 1    |              |



FIG.107A

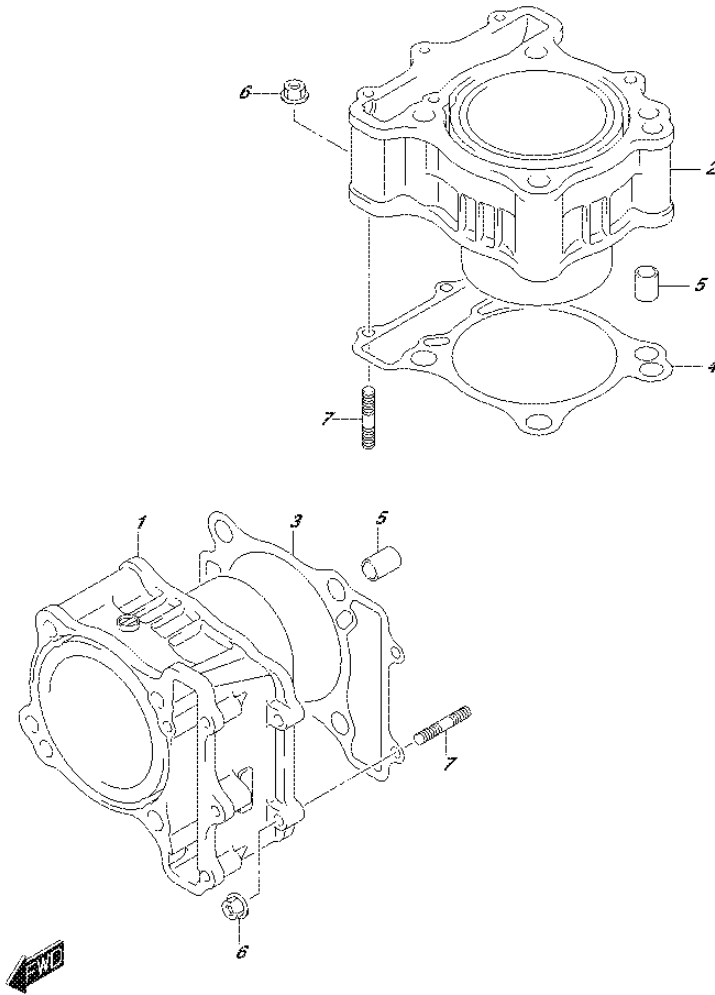


FIG.107A (1-B-5) CYLINDER

| REF NO. | PART NO.        | DESCRIPTION            | Q'TY | REMARKS |
|---------|-----------------|------------------------|------|---------|
| 1       | 11211-44H00-0F0 | CYLINDER, FRONT        | 1    |         |
| 2       | 11221-44H00-0F0 | CYLINDER, REAR         | 1    |         |
| 3       | 11241-19F10     | GASKET, CYLINDER FRONT | 1    |         |
| 4       | 11242-19F00     | GASKET, CYLINDER REAR  | 1    |         |
| 5       | 04211-13189     | PIN                    | 4    |         |
| 6       | 08316-1006B     | NUT                    | 4    |         |
| 7       | 01421-0625B     | STUD BOLT              | 4    |         |

FIG.108A

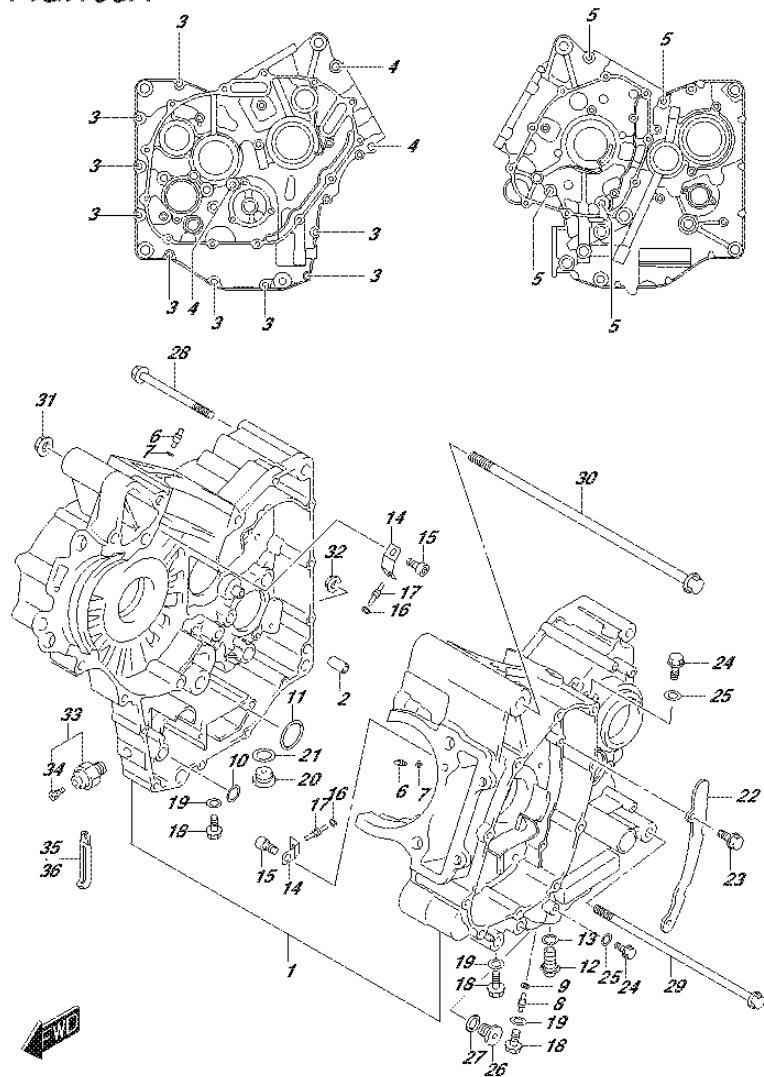


FIG.108A (1-B-6) CRANKCASE

| REF NO. | PART NO.    | DESCRIPTION               | Q'TY | REMARKS   |
|---------|-------------|---------------------------|------|-----------|
| 1       | 11301-27870 | CRANKCASE SET             | 1    |           |
| 2       | 09206-11007 | .PIN (8.4X11X20)          | 2    |           |
| 3       | 01547-0650A | .BOLT                     | 9    |           |
| 4       | 07120-0855A | .BOLT                     | 3    |           |
| 5       | 07120-0880A | .BOLT                     | 4    |           |
| 6       | 09493-28010 | JET AIR(14)               | 2    |           |
| 7       | 09280-04004 | O RING (D:1.2,ID:4)       | 2    |           |
| 8       | 09493-36004 | JET, OIL GALY             | 1    |           |
| 9       | 09280-04004 | O RING (D:1.2,ID:4)       | 1    |           |
| 10      | 09280-12009 | O RING (D:1.9,ID:12.6)    | 1    |           |
| 11      | 09280-15007 | O RING (D:2.4,ID:15.8)    | 1    |           |
| 12      | 09247-12011 | PLUG (12X20)              | 1    | OIL DRAIN |
| 13      | 09168-12002 | GASKET (12.1X16.2X3.7)    | 1    |           |
| 14      | 16438-19F00 | PLATE, PISTON COOLING JET | 2    |           |
| 15      | 09106-06075 | BOLT (6X12)               | 2    |           |
| 16      | 09280-04004 | O RING (D:1.2,ID:4)       | 2    |           |
| 17      | 09493-26007 | JET                       | 2    |           |
| 18      | 01550-0812A | BOLT                      | 3    |           |
| 19      | 09168-08016 | GASKET (8.2X14X1)         | 3    |           |
| 20      | 09248-16012 | PLUG (16X8)               | 1    |           |
| 21      | 09168-16002 | GASKET (16X22X2)          | 1    |           |
| 22      | 11323-19F00 | PLATE, OIL SEPARATOR      | 1    |           |
| 23      | 01547-0612A | BOLT                      | 2    |           |
| 24      | 01547-0610A | BOLT                      | 2    |           |
| 25      | 09168-06023 | GASKET (5.8X13X1.2)       | 2    |           |
| 26      | 09247-12006 | PLUG (12X10)              | 1    |           |
| 27      | 09168-12017 | GASKET (12X17X1)          | 1    |           |
| 28      | 09103-10205 | BOLT (10X225)             | 1    |           |
| 29      | 09103-10347 | BOLT (10X275)             | 1    |           |
| 30      | 09103-12054 | BOLT (12X310)             | 1    |           |
| 31      | 09159-12054 | NUT                       | 1    |           |
| 32      | 08319-3110A | NUT                       | 1    |           |

FIG.108A

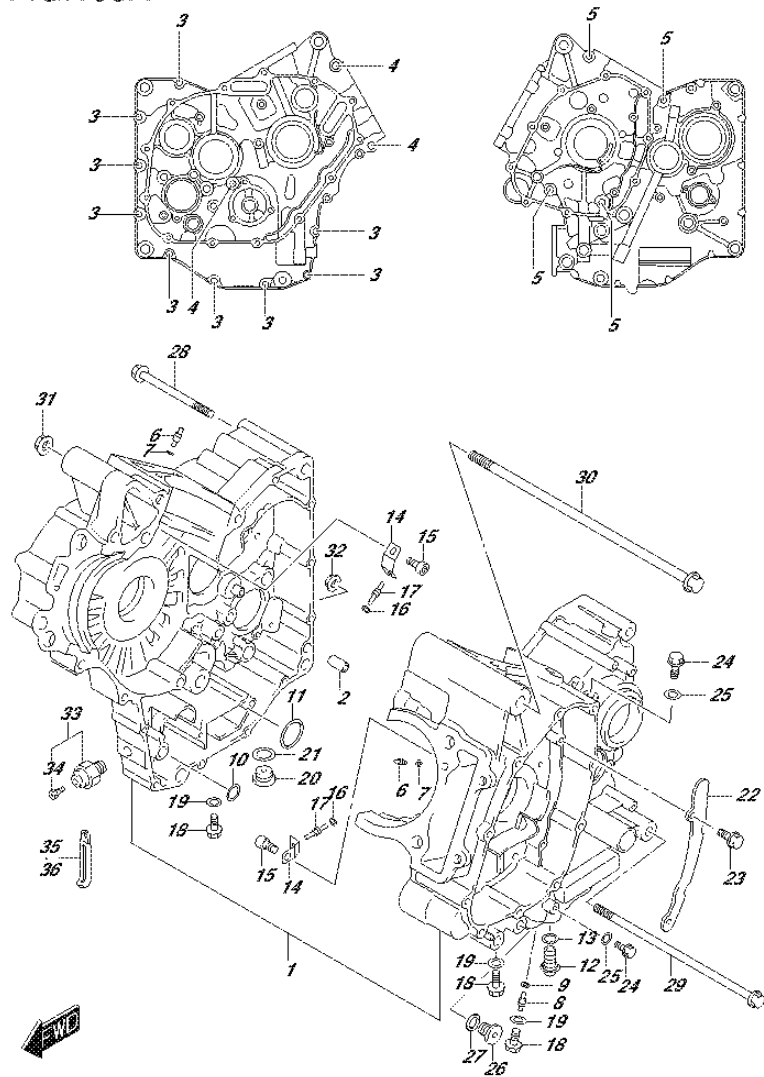
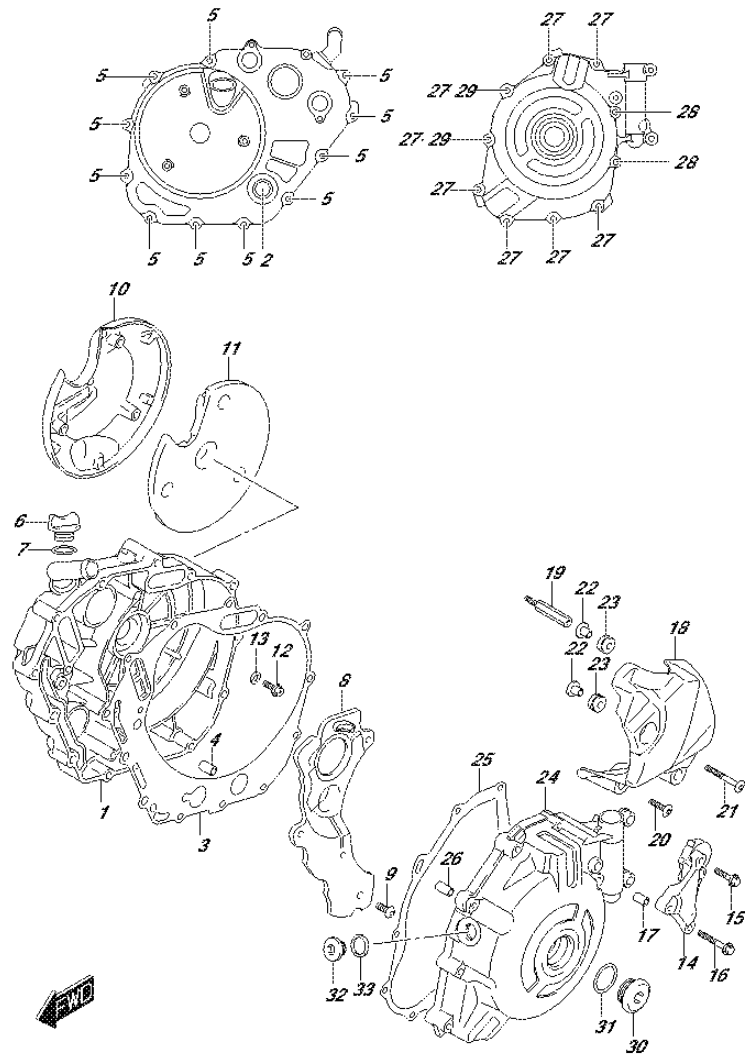


FIG.108A (1-B-7) CRANKCASE

| REF NO. | PART NO.    | DESCRIPTION                | Q'TY | REMARKS |
|---------|-------------|----------------------------|------|---------|
| 33      | 37820-33D10 | SWITCH ASSY, OIL PRESSURE  | 1    |         |
| 34      | 37822-33D00 | .BOLT, OIL PRESSURE SWITCH | 1    |         |
| 35      | 09404-06429 | CLAMP (L:45)               | 1    |         |
| 36      | 09404-06433 | CLAMP (L:80)               | 1    |         |

FIG.112A



DL650AL6\_E99\_112A  
CRANKCASE COVER

FIG.112A (1-B-8) CRANKCASE COVER

| REF NO. | PART NO.    | DESCRIPTION                  | Q'TY | REMARKS |
|---------|-------------|------------------------------|------|---------|
| 1       | 11340-44H10 | COVER, CLUTCH                | 1    |         |
| 2       | 11971-33210 | .LENS, OIL LEVEL CHECK       | 1    |         |
| 3       | 11482-44H00 | GASKET, CLUTCH COVER         | 1    |         |
| 4       | 04211-09149 | PIN                          | 2    |         |
| 5       | 09103-06214 | BOLT (6X35)                  | 11   |         |
| 6       | 11971-25D00 | PLUG, OIL FILLER             | 1    |         |
| 7       | 09280-17003 | O RING (D:3.1,ID:16.8)       | 1    |         |
| 8       | 11343-44H00 | SEPARATOR, OIL               | 1    |         |
| 9       | 09106-06098 | BOLT (6X12)                  | 4    |         |
| 10      | 11342-11J00 | COVER, CLUTCH OUTER          | 1    |         |
| 11      | 11344-11J00 | DAMPER                       | 1    |         |
| 12      | 09103-06174 | BOLT (6X16)                  | 3    |         |
| 13      | 09168-06023 | GASKET (5.8X13X1.2)          | 3    |         |
| 14      | 11361-44H00 | COVER, ENGINE SPROCKET INNER | 1    |         |
| 15      | 01547-0620A | BOLT                         | 1    |         |
| 16      | 01547-0635A | BOLT                         | 1    |         |
| 17      | 04211-09129 | PIN                          | 2    |         |
| 18      | 11371-11J00 | COVER, ENGINE SPROCKET OUTER | 1    |         |
| 19      | 11372-22H00 | BOLT                         | 2    |         |
| 20      | 09139-06028 | SCREW (6X20)                 | 2    |         |
| 21      | 09139-06105 | SCREW (6X40)                 | 1    |         |
| 22      | 09169-06062 | WASHER                       | 3    |         |
| 23      | 09320-09016 | CUSHION                      | 3    |         |
| 24      | 11351-44H00 | COVER, MAGNETO               | 1    |         |
| 25      | 11483-19F00 | GASKET, MAGNETO COVER        | 1    |         |
| 26      | 04211-09149 | PIN                          | 2    |         |
| 27      | 09103-06214 | BOLT (6X35)                  | 8    |         |
| 28      | 09103-06239 | BOLT (6X65)                  | 2    |         |
| 29      | 09168-06023 | GASKET (5.8X13X1.2)          | 2    |         |
| 30      | 09259-26011 | PLUG (26X9)                  | 1    |         |
| 31      | 09280-22008 | O RING (D:3.1,ID:22.7)       | 1    |         |
| 32      | 09248-16012 | PLUG (16X8)                  | 1    |         |
| 33      | 09168-16002 | GASKET (16X22X2)             | 1    |         |

DL650AL6\_E99

FIG. 120A

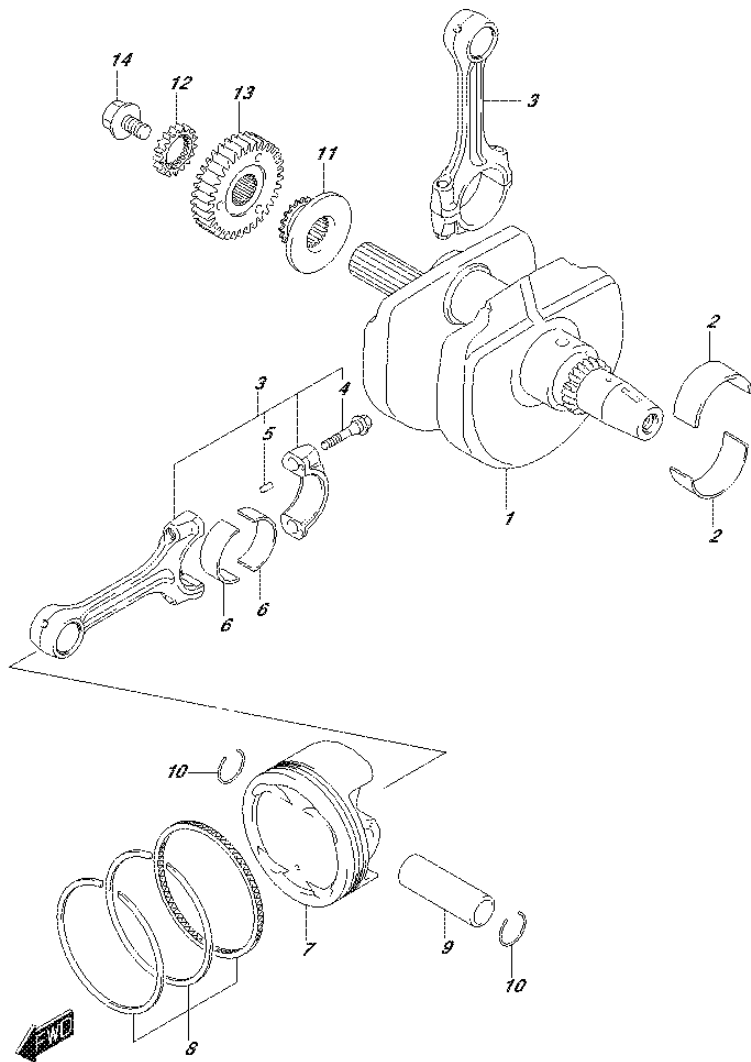


FIG.120A (1-B-9) CRANKSHAFT

| REF NO. | PART NO.        | DESCRIPTION                    | Q'TY | REMARKS |
|---------|-----------------|--------------------------------|------|---------|
| 1       | 12220-44H10     | CRANKSHAFT                     | 1    |         |
| 2-1     | 12229-44H00-0A0 | BEARING, CRANKSHAFT (GREEN)    | 4    |         |
| 2-2     | 12229-44H00-0B0 | BEARING, CRANKSHAFT (BLACK)    | 4    |         |
| 2-3     | 12229-44H00-0C0 | BEARING, CRANKSHAFT (BROWN)    | 4    |         |
| 3       | 12160-17G10     | CONNECTING ROD ASSY            | 2    |         |
| 4       | 12163-24F10     | .BOLT, CONNECTING ROD          | 4    |         |
| 5       | 04221-04089     | .PIN                           | 4    |         |
| 6-1     | 12164-46E01-0A0 | BEARING, CRANK PIN (GREEN)     | 4    |         |
| 6-2     | 12164-46E01-0B0 | BEARING, CRANK PIN (BLACK)     | 4    |         |
| 6-3     | 12164-46E01-0C0 | BEARING, CRANK PIN (BROWN)     | 4    |         |
| 6-4     | 12164-46E01-0D0 | BEARING, CRANK PIN (YELLOW)    | 4    |         |
| 7       | 12111-44H20-0F0 | PISTON                         | 2    |         |
| 8       | 12140-15H10     | RING SET, PISTON               | 2    |         |
| 9       | 12151-05A00     | PIN, PISTON                    | 2    |         |
| 10      | 09381-20004     | SNAP RING                      | 4    |         |
| 11      | 12731-19F00     | SPROCKET, CAM CHAIN DRIVE      | 1    |         |
| 12      | 17451-17G00     | GEAR, WATER PUMP DRIVE (NT:17) | 1    |         |
| 13      | 21100-44H00     | GEAR, PRIMARY DRIVE (NT:34)    | 1    |         |
| 14      | 09103-10338     | BOLT (10X19)                   | 1    |         |



FIG. 122A

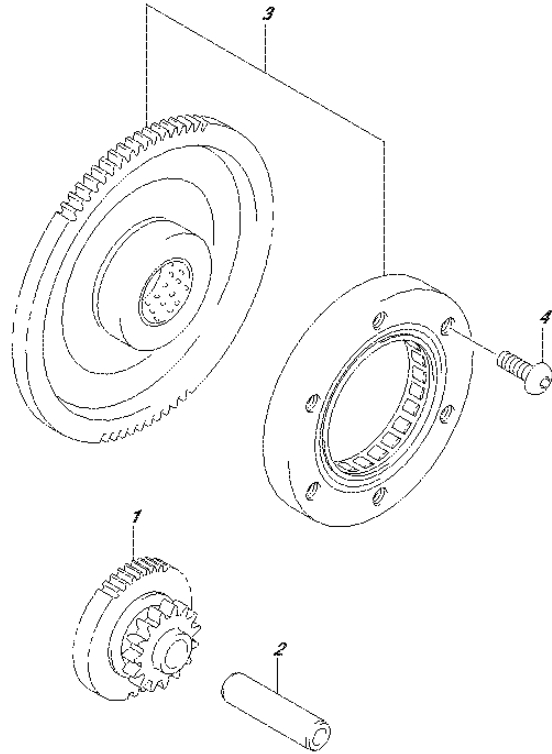


FIG.122A (1-B-10) STARTER CLUTCH

| REF NO. | PART NO.    | DESCRIPTION                   | Q'TY | REMARKS |
|---------|-------------|-------------------------------|------|---------|
| 1       | 12611-27G00 | GEAR, STARTER IDLE (NT:15/53) | 1    |         |
| 2       | 09206-12006 | PIN (8X12X45.5)               | 1    |         |
| 3       | 12600-06821 | CLUTCH SET, STARTER (NT:70)   | 1    |         |
| 4       | 09139-08023 | SCREW (8X16)                  | 6    |         |



FIG. 126A

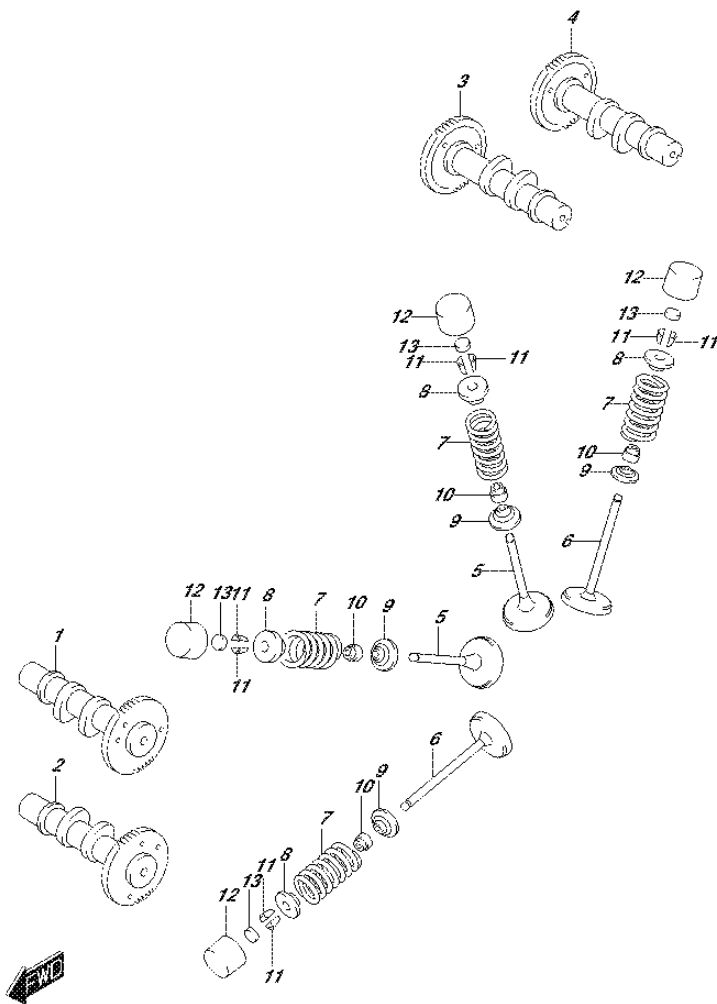


FIG.126A (1-B-11) CAMSHAFT/VALVE

| REF NO. | PART NO.        | DESCRIPTION                     | Q'TY | REMARKS |
|---------|-----------------|---------------------------------|------|---------|
| 1       | 12710-11J00     | CAMSHAFT, INTAKE FRONT (NT:36)  | 1    |         |
| 2       | 12720-20F00     | CAMSHAFT, EXHAUST FRONT (NT:36) | 1    |         |
| 3       | 12730-11J00     | CAMSHAFT, INTAKE REAR (NT:36)   | 1    |         |
| 4       | 12740-20F00     | CAMSHAFT, EXHAUST REAR (NT:36)  | 1    |         |
| 5       | 12911-18H00     | VALVE, INTAKE                   | 4    |         |
| 6       | 12912-20F00     | VALVE, EXHAUST                  | 4    |         |
| 7       | 12921-44H00     | SPRING, VALVE                   | 8    |         |
| 8       | 12931-17E01     | RETAINER, VALVE SPRING          | 8    |         |
| 9       | 12933-17E00     | SEAT, VALVE SPRING              | 8    |         |
| 10      | 09289-04002     | OIL SEAL (4.5X10X8)             | 8    |         |
| 11      | 12932-32C00     | COTTER, VALVE                   | 16   |         |
| 12      | 12891-17E00     | TAPPET                          | 8    |         |
| 13-1    | 12892-05C00-120 | SHIM, TAPPET (T:1.20)           | 8    |         |
| 13-2    | 12892-05C00-125 | SHIM, TAPPET (T:1.25)           | 8    |         |
| 13-3    | 12892-05C00-130 | SHIM, TAPPET (T:1.30)           | 8    |         |
| 13-4    | 12892-05C00-135 | SHIM, TAPPET (T:1.35)           | 8    |         |
| 13-5    | 12892-05C00-140 | SHIM, TAPPET (T:1.40)           | 8    |         |
| 13-6    | 12892-05C00-145 | SHIM, TAPPET (T:1.45)           | 8    |         |
| 13-7    | 12892-05C00-150 | SHIM, TAPPET (T:1.50)           | 8    |         |
| 13-8    | 12892-05C00-155 | SHIM, TAPPET (T:1.55)           | 8    |         |
| 13-9    | 12892-05C00-160 | SHIM, TAPPET (T:1.60)           | 8    |         |
| 13-10   | 12892-05C00-165 | SHIM, TAPPET (T:1.65)           | 8    |         |
| 13-11   | 12892-05C00-170 | SHIM, TAPPET (T:1.70)           | 8    |         |
| 13-12   | 12892-05C00-175 | SHIM, TAPPET (T:1.75)           | 8    |         |
| 13-13   | 12892-05C00-180 | SHIM, TAPPET (T:1.80)           | 8    |         |
| 13-14   | 12892-05C00-185 | SHIM, TAPPET (T:1.85)           | 8    |         |
| 13-15   | 12892-05C00-190 | SHIM, TAPPET (T:1.90)           | 8    |         |
| 13-16   | 12892-05C00-195 | SHIM, TAPPET (T:1.95)           | 8    |         |
| 13-17   | 12892-05C00-200 | SHIM, TAPPET (T:2.00)           | 8    |         |
| 13-18   | 12892-05C00-205 | SHIM, TAPPET (T:2.05)           | 8    |         |
| 13-19   | 12892-05C00-210 | SHIM, TAPPET (T:2.10)           | 8    |         |
| 13-20   | 12892-05C00-215 | SHIM, TAPPET (T:2.15)           | 8    |         |
| 13-21   | 12892-05C00-220 | SHIM, TAPPET (T:2.20)           | 8    |         |

FIG.126A

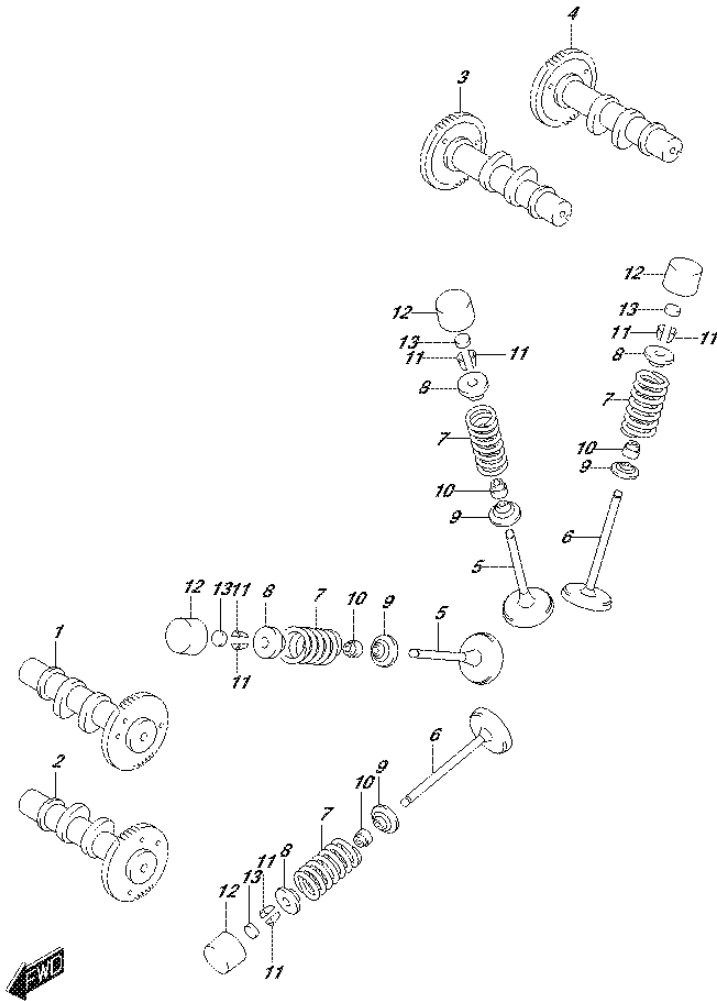


FIG.126A (1-B-12) CAMSHAFT/VALVE

| REF NO. | PART NO.    | DESCRIPTION  | Q'TY | REMARKS                |
|---------|-------------|--|------|------------------------|
| 14      | 12800-05830 | SHIM SET, TAPPET<br>T:1.20, 1.25..2.15, 2.20<br>(5PCS.EACH) & CASE | 1    | OPT<br>NOT ILLUSTRATED |
| 15      | 99000-69491 | .CASE, TAPPET SHIM   | 1    | OPT<br>NOT ILLUSTRATED |

FIG.127A

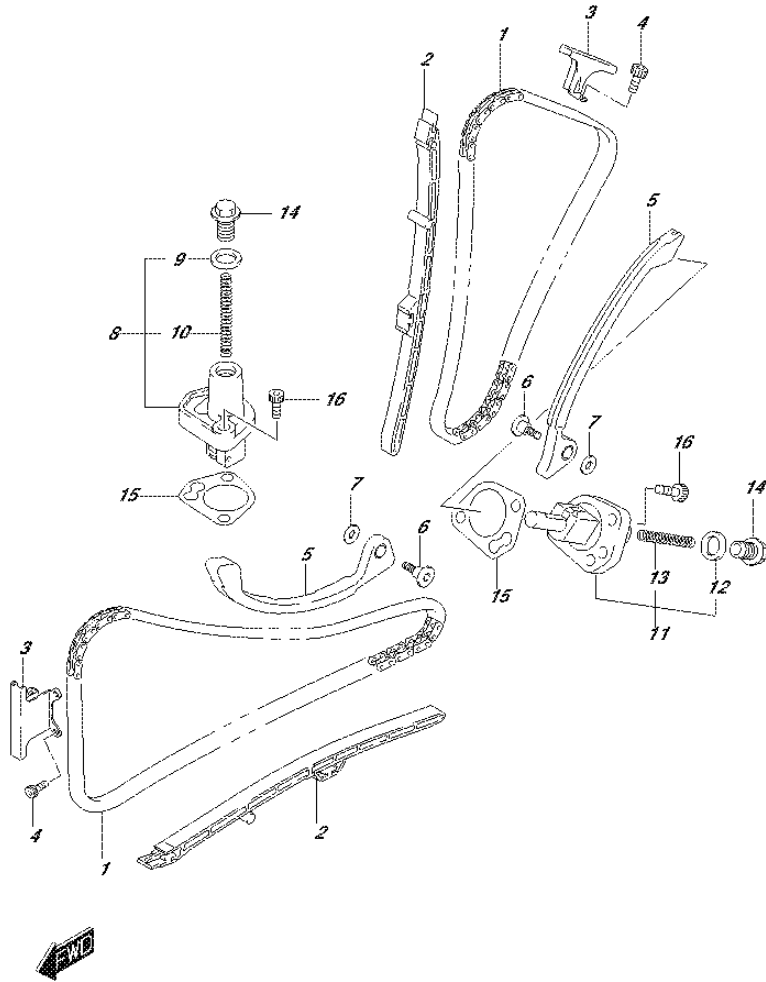


FIG.127A (1-B-13) CAM CHAIN

| REF NO. | PART NO.    | DESCRIPTION                    | Q'TY | REMARKS |
|---------|-------------|--------------------------------|------|---------|
| 1       | 12760-19F01 | CHAIN, CAM SHAFT DRIVE         | 2    |         |
| 2       | 12771-44H00 | GUIDE, CAM CHAIN NO.1          | 2    |         |
| 3       | 12782-19F00 | GUIDE, CAM CHAIN NO.2          | 2    |         |
| 4       | 07130-0612A | BOLT                           | 6    |         |
| 5       | 12811-17G00 | TENSIONER, CAM CHAIN           | 2    |         |
| 6       | 12812-35C00 | BOLT, CAM CHAIN TENSIONER      | 2    |         |
| 7       | 08211-06181 | WASHER                         | 2    |         |
| 8       | 12830-27G00 | ADJUSTER ASSY, TENSIONER FRONT | 1    |         |
| 9       | 12837-24F10 | .GASKET, TENSIONER ADJUSTER    | 1    |         |
| 10      | 12831-39F00 | .SPRING                        | 1    |         |
| 11      | 12830-27G10 | ADJUSTER ASSY, TENSIONER REAR  | 1    |         |
| 12      | 12837-24F10 | .GASKET, TENSIONER ADJUSTER    | 1    |         |
| 13      | 12831-39F00 | .SPRING                        | 1    |         |
| 14      | 12833-17G00 | PLUG, TENSIONER ADJUSTER       | 2    |         |
| 15      | 12837-27G00 | GASKET, TENSIONER ADJUSTER     | 2    |         |
| 16      | 07130-0625A | BOLT                           | 4    |         |

FIG.140A

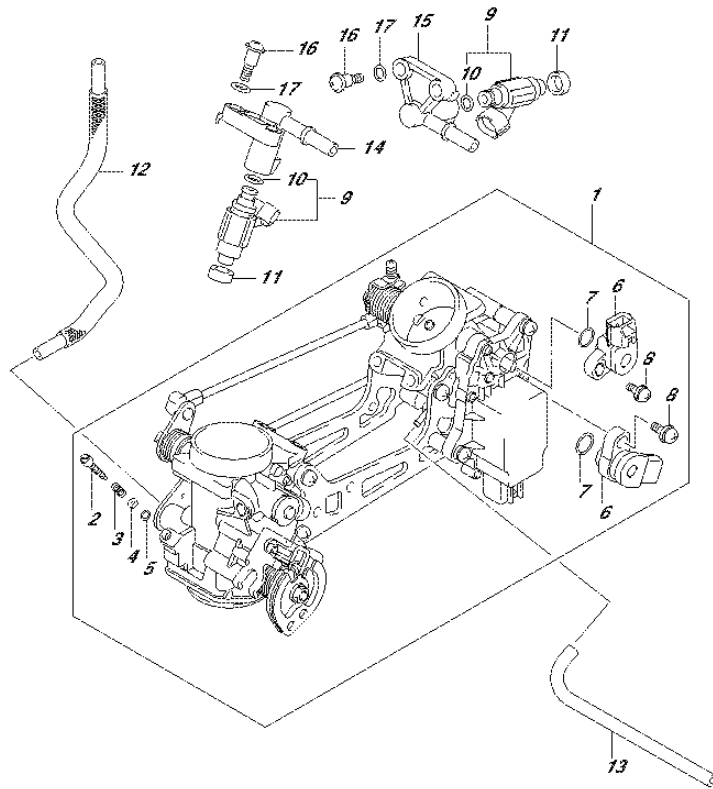


FIG.140A (1-B-14) THROTTLE BODY

| REF NO. | PART NO.    | DESCRIPTION             | Q'TY | REMARKS |
|---------|-------------|-------------------------|------|---------|
| 1       | 13405-11J00 | THROTTLE BODY           | 1    |         |
| 2       | 13269-33E00 | .SCREW                  | 2    |         |
| 3       | 13268-48700 | .SPRING, THROTTLE SCREW | 2    |         |
| 4       | 13606-47A00 | .WASHER                 | 2    |         |
| 5       | 13295-29900 | .O RING                 | 2    |         |
| 6       | 13580-27G21 | .SENSOR ASSY            | 2    |         |
| 7       | 13575-29G00 | .O RING                 | 2    |         |
| 8       | 13605-02F00 | .SCREW                  | 2    |         |
| 9       | 15710-44H00 | INJECTOR ASSY           | 2    |         |
| 10      | 15717-58B00 | .O RING                 | 1    |         |
| 11      | 15722-29G00 | SEAL                    | 2    |         |
| 12      | 13683-44H00 | HOSE                    | 1    |         |
| 13      | 13683-44H10 | HOSE                    | 1    |         |
| 14      | 15731-11J00 | DELIVERY PIPE           | 1    |         |
| 15      | 15732-11J00 | DELIVERY PIPE           | 1    |         |
| 16      | 13601-11J00 | SCREW, DELIVERY PIPE    | 4    |         |
| 17      | 13602-29G00 | PACKING                 | 4    |         |



FIG.155A

FIG.155A (1-B-15) AIR CLEANER

| REF NO. | PART NO.    | DESCRIPTION              | Q'TY | REMARKS |
|---------|-------------|--------------------------|------|---------|
| 1       | 13700-11J01 | CLEANER ASSY, AIR        | 1    |         |
| 2       | 13740-11J01 | .CLEANER ASSY, AIR       | 1    |         |
| 3       | 13891-27G01 | .TUBE, INLET             | 1    |         |
| 4       | 13881-27G10 | .TUBE, OUTLET            | 1    |         |
| 5       | 13882-27G10 | .TUBE, OUTLET            | 1    |         |
| 6       | 13788-11J00 | .FILTER, BREATHER        | 1    |         |
| 7       | 13826-44H01 | .CLAMP, OUTLET TUBE REAR | 2    |         |
| 8       | 13780-27G10 | .FILTER, AIR CLEANER     | 1    |         |
| 9       | 13746-06G00 | .GASKET                  | 1    |         |
| 10      | 03141-0516A | .SCREW                   | 8    |         |
| 11      | 13878-10G00 | .PLUG, DRAIN             | 1    |         |
| 12      | 09401-14301 | .CLIP                    | 1    |         |
| 13      | 13850-11J00 | TUBE, BREATHER CRANKCASE | 1    |         |
| 14      | 09401-20405 | CLIP                     | 2    |         |
| 15      | 18590-32G00 | SENSOR, PRESSURE         | 2    |         |
| 16      | 13650-41F10 | SENSOR AIR TEMP          | 1    |         |
| 17      | 13655-41F10 | .O RING                  | 1    |         |
| 18      | 03511-0516A | SCREW                    | 1    |         |

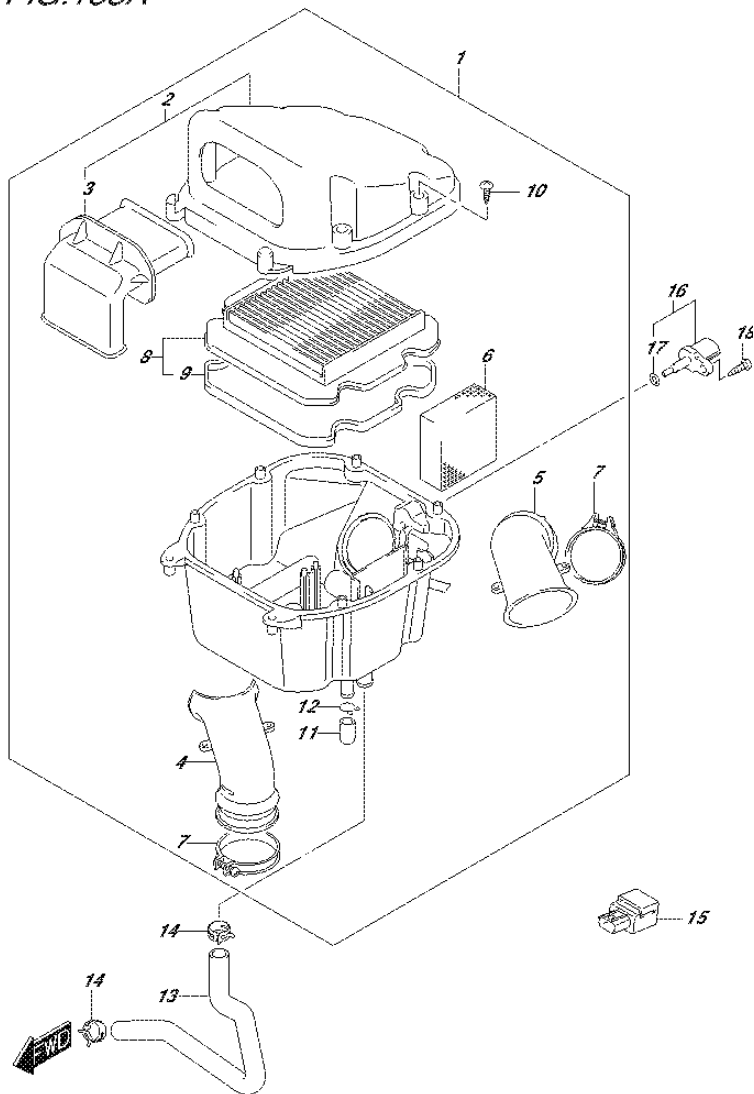


FIG.163A

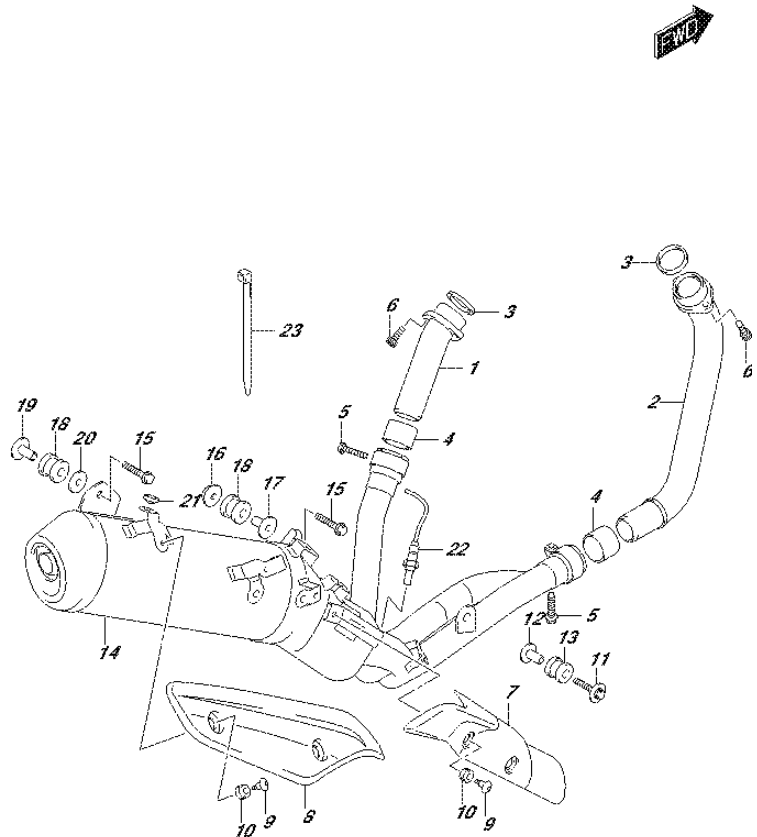


FIG.163A (1-C-2) MUFFLER

| REF NO. | PART NO.        | DESCRIPTION             | Q'TY | REMARKS |
|---------|-----------------|-------------------------|------|---------|
| 1       | 14150-27G10     | PIPE, EXHAUST REAR      | 1    |         |
| 2       | 14160-17G10     | PIPE, EXHAUST FRONT     | 1    |         |
| 3       | 14181-22D01     | GASKET, EXHAUST PIPE    | 2    |         |
| 4       | 14771-32E10     | CONNECTOR, MUFFLER      | 2    |         |
| 5       | 09103-08365     | BOLT (8X35)             | 2    |         |
| 6       | 09106-08165     | BOLT (8X25)             | 4    |         |
| 7       | 14771-11J00     | COVER, MUFFLER FRONT    | 1    |         |
| 8       | 14781-11J00-YMC | COVER, MUFFLER (SILVER) | 1    |         |
| 9       | 09139-06126     | SCREW (6X20)            | 5    |         |
| 10      | 09320-08070     | CUSHION                 | 5    |         |
| 11      | 09118-08152-A05 | BOLT (8X45)             | 1    |         |
| 12      | 09180-08152     | SPACER (8.6X12X24.2)    | 1    |         |
| 13      | 09320-12048     | CUSHION                 | 1    |         |
| 14      | 14305-11J00-H01 | MUFFLER                 | 1    |         |
| 15      | 09103-08358     | BOLT (8X45)             | 2    |         |
| 16      | 14414-27G00     | NUT, MUFFLER SPRT       | 1    |         |
| 17      | 09180-08156     | SPACER (8.6X12X27.1)    | 1    |         |
| 18      | 09320-12049     | CUSHION                 | 2    |         |
| 19      | 14414-06G00     | NUT, MUFFLER SPRT       | 1    |         |
| 20      | 09160-08146     | WASHER (8.5X33X1.5)     | 1    |         |
| 21      | 09321-10018     | CUSHION                 | 5    |         |
| 22      | 18213-17G10     | SENSOR, OXYGEN          | 1    |         |
| 23      | 09407-14407     | CLAMP (L:145)           | 1    |         |

FIG.170A

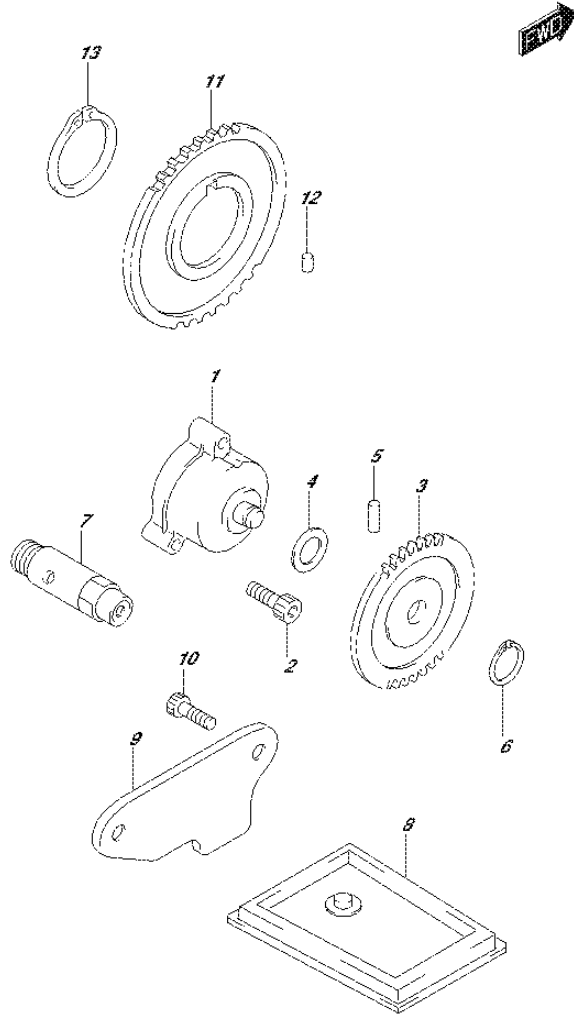


FIG.170A (1-C-3) OIL PUMP

| REF NO. | PART NO.    | DESCRIPTION                            | Q'TY | REMARKS |
|---------|-------------|--|------|---------|
| 1       | 16400-20F00 | PUMP ASSY, ENGINE OIL                  | 1    |         |
| 2       | 07130-0625A | BOLT                                   | 3    |         |
| 3       | 16331-19F00 | GEAR, ENG OIL PUMP DRIVEN<br>(NT:34)   | 1    |         |
| 4       | 09181-10158 | SHIM (10X18X0.5)                       | 1    |         |
| 5       | 09261-04001 | PIN (4X18.5)                           | 1    |         |
| 6       | 08331-31109 | CIRCLIP                                | 1    |         |
| 7       | 16440-17C20 | VALVE ASSY, OIL RELIEF                 | 1    |         |
| 8       | 16520-32E00 | STRAINER, ENGINE OIL                   | 1    |         |
| 9       | 16523-17G00 | CAP, OIL STRAINER                      | 1    |         |
| 10      | 07130-0612A | BOLT                                   | 2    |         |
| 11      | 16321-19F00 | GEAR, ENGINE OIL PUMP DRIVE<br>(NT:45) | 1    |         |
| 12      | 09261-06002 | PIN (6X6)                              | 1    |         |
| 13      | 08331-31383 | CIRCLIP                                | 1    |         |



FIG.172A

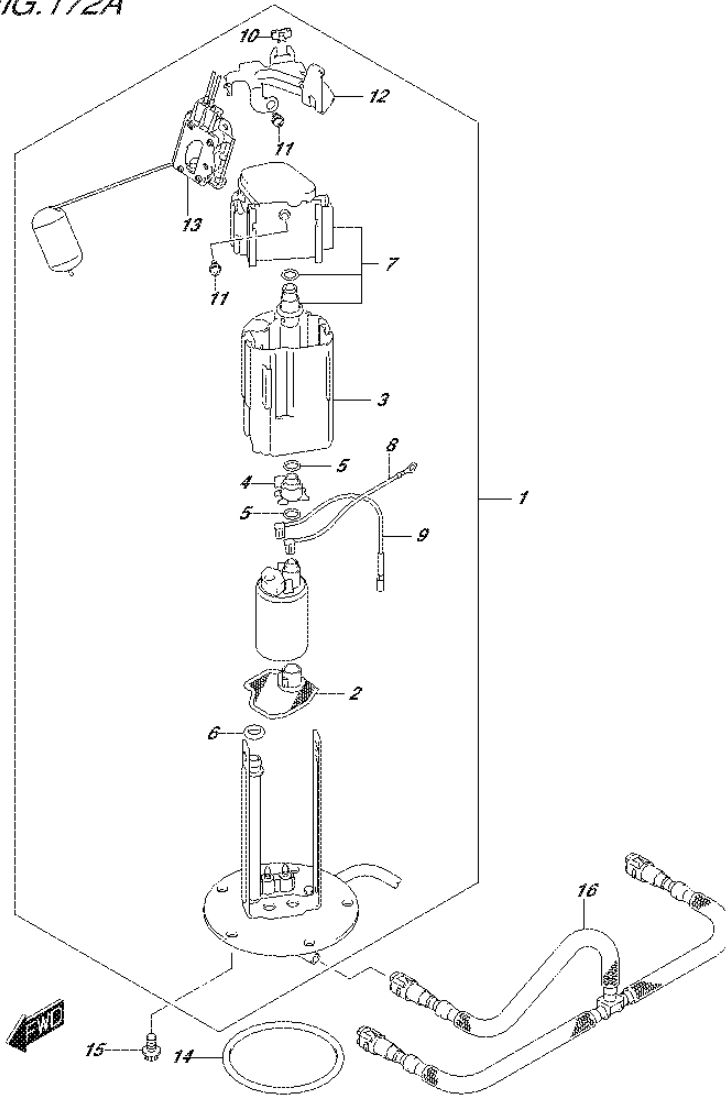


FIG.172A (1-C-4) FUEL PUMP

| REF NO. | PART NO.    | DESCRIPTION          | Q'TY | REMARKS |
|---------|-------------|----------------------|------|---------|
| 1       | 15100-11J01 | PUMP ASSY, FUEL      | 1    |         |
| 2       | 15420-05H00 | .STRAINER            | 1    |         |
| 3       | 15111-27G00 | .CUP, RESERVOIR      | 1    |         |
| 4       | 15112-05H00 | .JOINT               | 1    |         |
| 5       | 15113-05H00 | .O RING              | 2    |         |
| 6       | 15113-35F00 | .O RING              | 1    |         |
| 7       | 15610-14J00 | .REGULATOR           | 1    |         |
| 8       | 15114-14J00 | .WIPE, EARTH         | 1    |         |
| 9       | 15115-14J00 | .WIRE, LEAD          | 1    |         |
| 10      | 15119-08J00 | .SADDLE, EDGE        | 1    |         |
| 11      | 15116-10F00 | .SCREW               | 3    |         |
| 12      | 15181-11J00 | .BRACKET, FUEL GAUGE | 1    |         |
| 13      | 34810-11J00 | .GAUGE ASSY          | 1    |         |
| 14      | 15201-35F00 | O RING, FUEL PUMP    | 1    |         |
| 15      | 07120-0612A | BOLT                 | 5    |         |
| 16      | 15810-11J10 | HOSE, FUEL           | 1    |         |

FIG.178A

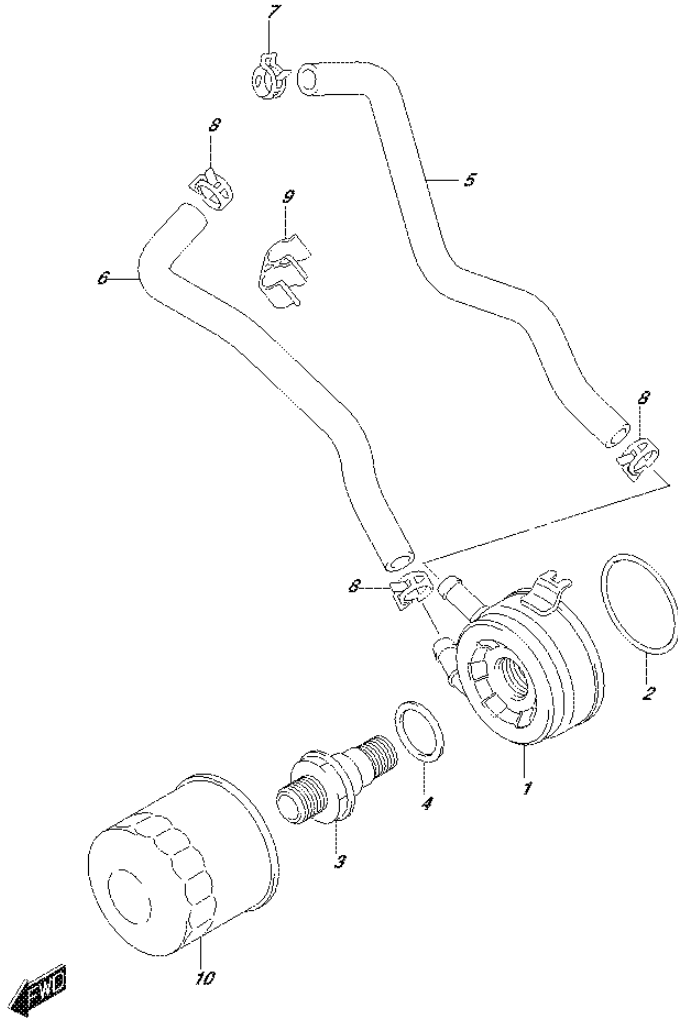


FIG.178A (1-C-5) OIL COOLER

| REF NO. | PART NO.    | DESCRIPTION             | Q'TY | REMARKS |
|---------|-------------|-------------------------|------|---------|
| 1       | 16600-44H00 | COOLER ASSY, OIL        | 1    |         |
| 2       | 09280-55002 | O RING (D:3.1,ID:54.5)  | 1    |         |
| 3       | 16591-02F00 | BOLT, UNION             | 1    |         |
| 4       | 09181-25160 | SHIM (25X34X0.7)        | 1    |         |
| 5       | 16461-44H00 | HOSE, INLET             | 1    |         |
| 6       | 16471-44H00 | HOSE, OUTLET            | 1    |         |
| 7       | 09401-16407 | CLIP                    | 1    |         |
| 8       | 09401-16409 | CLIP                    | 3    |         |
| 9       | 09408-00267 | CLAMP                   | 1    |         |
| 10      | 16510-07J00 | FILTER ASSY, ENGINE OIL | 1    |         |

FIG. 180A

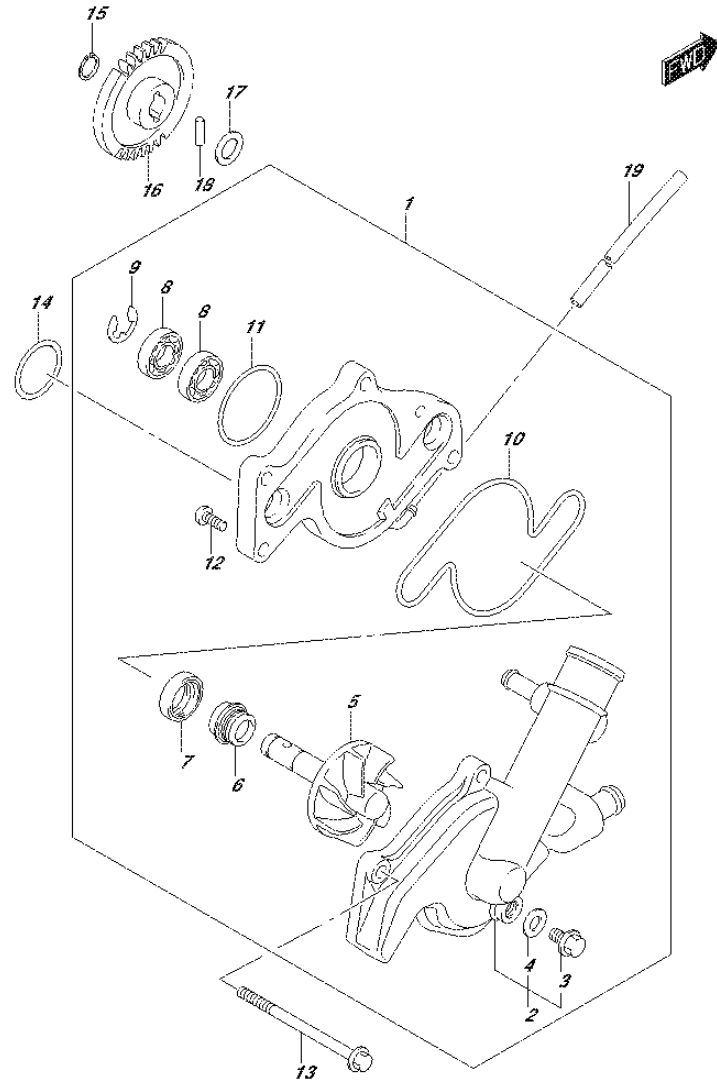


FIG.180A (1-C-6) WATER PUMP

| REF NO. | PART NO.        | DESCRIPTION                        | Q'TY | REMARKS    |
|---------|-----------------|------------------------------------|------|------------|
| 1       | 17400-44H00     | PUMP ASSY, WATER                   | 1    |            |
| 2       | 17411-44H00     | .CASE, WATER PUMP                  | 1    |            |
| 3       | 17415-20920     | ..BOLT                             | 1    |            |
| 4       | 09168-08016     | ..GASKET (8.2X14X1)                | 1    |            |
| 5       | 17491-19F40     | .IMPELLER/SHAFT                    | 1    |            |
| 6       | 17470-02F10     | .SEAL, MECHANICAL                  | 1    |            |
| 7       | 17461-48G00     | .OIL SEAL (10X21X5)                | 1    |            |
| 8       | 09262-10014     | .BEARING (10X26X8)                 | 2    |            |
| 9       | 08332-1108A     | .E RING                            | 1    |            |
| 10      | 17418-19F00     | .O RING                            | 1    |            |
| 11      | 17435-33400     | .O RING                            | 1    |            |
| 12      | 02112-0510A     | .SCREW                             | 2    |            |
| 13      | 09103-06225     | BOLT (6X70)                        | 3    |            |
| 14      | 09280-22001     | O RING (D:2.4,ID:21.8)             | 2    |            |
| 15      | 08331-31109     | CIRCLIP                            | 1    |            |
| 16      | 17461-44H00     | GEAR, WATER PUMP DRIVEN<br>(NT:34) | 1    |            |
| 17      | 09181-10158     | SHIM (10X18X0.5)                   | 1    |            |
| 18      | 09261-04002     | ROLLER (4X13.8)                    | 1    |            |
| 19      | 09352-35653-600 | HOSE (3.5X6.5X600)                 | 1    | L:600->320 |

FIG.185A

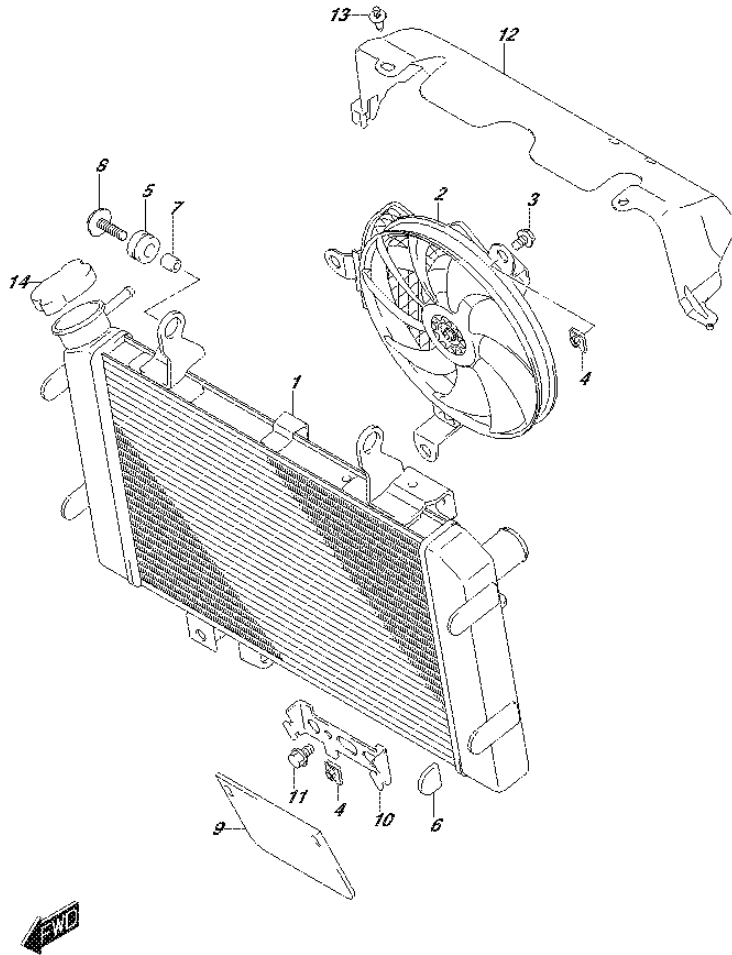
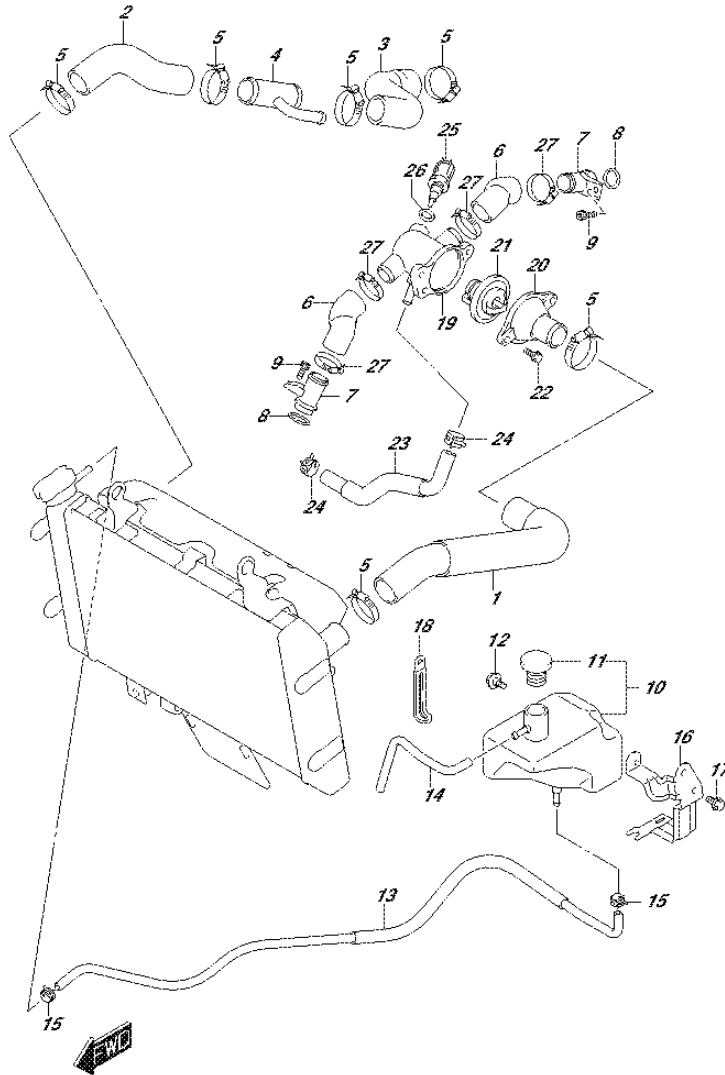


FIG.185A (1-C-7) RADIATOR

| REF NO. | PART NO.        | DESCRIPTION                    | Q'TY | REMARKS |
|---------|-----------------|--------------------------------|------|---------|
| 1       | 17710-11J00     | RADIATOR ASSY, WATER           | 1    |         |
| 2       | 17800-11J00     | FAN ASSY, RADIATOR             | 1    |         |
| 3       | 17711-08J00     | BOLT                           | 3    |         |
| 4       | 17712-40F00     | NUT                            | 3    |         |
| 5       | 09320-10S01     | CUSHION                        | 3    |         |
| 6       | 09329-18001     | CUSHION                        | 4    |         |
| 7       | 09180-06310     | SPACER (6.5X10X10)             | 2    |         |
| 8       | 09118-06097     | BOLT (6X25)                    | 2    |         |
| 9       | 17781-17G00     | RUBBER, RADIATOR UNDER         | 1    |         |
| 10      | 17741-17G00     | BRACKET, RADIATOR UNDER RUBBER | 1    |         |
| 11      | 01550-0612A     | BOLT                           | 1    |         |
| 12      | 17771-11J00     | SHIELD, RADIATOR HEAT          | 1    |         |
| 13      | 09409-06314-5PK | CLIP (BLACK)                   | 2    |         |
| 14      | 17730-08J00     | CAP, RADIATOR 1.1              | 1    |         |

FIG.187A



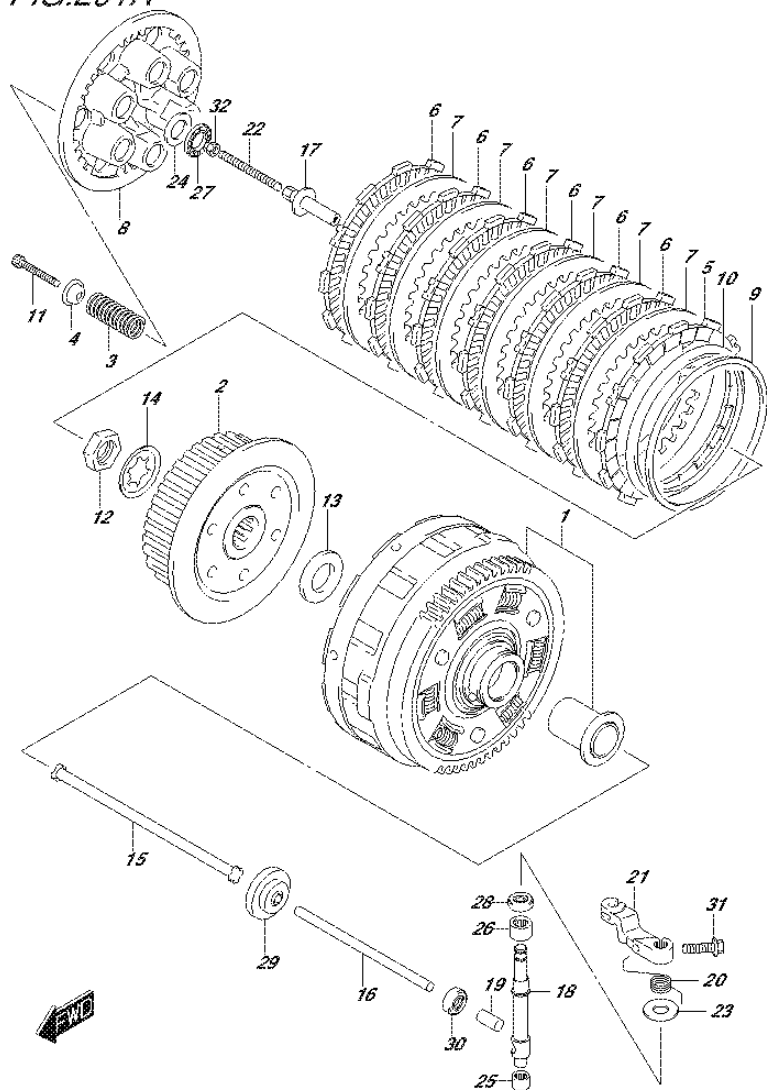
DL650AL6\_E99\_187A  
RADIATOR HOSE

FIG.187A (1-C-8) RADIATOR HOSE

| REF NO. | PART NO.    | DESCRIPTION                   | Q'TY | REMARKS |
|---------|-------------|-------------------------------|------|---------|
| 1       | 17851-11J00 | HOSE, RADIATOR INLET          | 1    |         |
| 2       | 17852-44H20 | HOSE, RADIATOR OUTLET NO.1    | 1    |         |
| 3       | 17854-44H00 | HOSE, RADIATOR OUTLET NO.2    | 1    |         |
| 4       | 17880-44H00 | UNION, 3WAY                   | 1    |         |
| 5       | 09402-35501 | CLAMP                         | 6    |         |
| 6       | 17853-19F00 | HOSE, CONNECTOR INLET         | 2    |         |
| 7       | 17890-06G20 | UNION, CONNECTOR HOSE         | 2    |         |
| 8       | 09280-18008 | O RING (D:3.2, ID:17.8)       | 2    |         |
| 9       | 07130-0612A | BOLT                          | 2    |         |
| 10      | 17910-27G10 | TANK ASSY, RESERVOIR          | 1    |         |
| 11      | 17931-02FA0 | .CAP, RESERVOIR TANK          | 1    |         |
| 12      | 09111-06085 | BOLT (6X12)                   | 1    |         |
| 13      | 17900-27810 | HOSE, RESERVOIR TANK INLET    | 1    |         |
| 14      | 17982-15H00 | HOSE, RESERVOIR TANK OVERFLOW | 1    |         |
| 15      | 09401-08411 | CLIP                          | 2    |         |
| 16      | 17920-27G10 | BRACKET, RESERVOIR TANK       | 1    |         |
| 17      | 01550-0610A | BOLT                          | 2    |         |
| 18      | 09404-06429 | CLAMP (L:45)                  | 1    |         |
| 19      | 17662-02F11 | CONNECTOR, THERMOSTAT INLET   | 1    |         |
| 20      | 17663-17G00 | CAP, THERMOSTAT CONNECTOR     | 1    |         |
| 21      | 17670-06G60 | THERMOSTAT, WATER             | 1    |         |
| 22      | 01547-0616A | BOLT                          | 2    |         |
| 23      | 17856-44H00 | HOSE, CONNECTOR TO WATER PUMP | 1    |         |
| 24      | 09401-12414 | CLAMP                         | 2    |         |
| 25      | 13650-49X00 | SENSOR, WATER TEMPERATURE     | 1    |         |
| 26      | 09168-12017 | GASKET (12X17X1)              | 1    |         |
| 27      | 09402-28513 | CLAMP                         | 4    |         |

DL650AL6\_E99

FIG.201A



DL650AL6\_E99\_201A  
CLUTCH

FIG.201A (1-C-9) CLUTCH

| REF NO. | PART NO.    | DESCRIPTION                          | Q'TY | REMARKS |
|---------|-------------|--------------------------------------|------|---------|
| 1       | 21200-44860 | GEAR ASSY, PRIMARY DRIVEN<br>(NT:71) | 1    |         |
| 2       | 21411-44101 | HUB, CLUTCH SLEEVE                   | 1    |         |
| 3       | 21413-17G10 | SPRING, CLUTCH                       | 6    |         |
| 4       | 21414-29F00 | WASHER, CLUTCH SPRING                | 6    |         |
| 5       | 21442-29F10 | PLATE, CLUTCH DRIVE NO.2<br>(T:3.0)  | 1    |         |
| 6       | 21441-29F30 | PLATE, CLUTCH DRIVE (T:3.0)          | 6    |         |
| 7       | 21451-28C31 | PLATE, CLUTCH DRIVEN (T:1.6)         | 6    |         |
| 8       | 21462-14301 | DISC, CLUTCH PRESSURE                | 1    |         |
| 9       | 21471-17G00 | SEAT, WAVE WASHER                    | 1    |         |
| 10      | 21472-17G00 | WASHER, CLUTCH PLATE WAVE            | 1    |         |
| 11      | 21482-41G10 | BOLT, CLUTCH SPRING                  | 6    |         |
| 12      | 09140-20001 | NUT                                  | 1    |         |
| 13      | 09160-20067 | WASHER (20X36X3)                     | 1    |         |
| 14      | 09167-20006 | LOCK WASHER                          | 1    |         |
| 15      | 23110-44111 | ROD, CLUTCH PUSH RH                  | 1    |         |
| 16      | 23111-15501 | ROD, CLUTCH PUSH LH                  | 1    |         |
| 17      | 23121-44H00 | PIECE, CLUTCH PUSH                   | 1    |         |
| 18      | 23122-44H00 | CAMSHAFT, CLUTCH RELEASE             | 1    |         |
| 19      | 23123-41G00 | CAP, CLUTCH PUSH ROD                 | 1    |         |
| 20      | 23125-11J00 | SPRING, CLUTCH RELEASE RETURN        | 1    |         |
| 21      | 23271-44H10 | ARM, CLUTCH RELEASE                  | 1    |         |
| 22      | 09134-06015 | SCREW (6X73)                         | 1    |         |
| 23      | 09160-10020 | WASHER (10.5X24X1)                   | 1    |         |
| 24      | 09160-15045 | WASHER (15.5X28X1)                   | 1    |         |
| 25      | 09263-10014 | BEARING (10X14X10)                   | 1    |         |
| 26      | 09263-12027 | BEARING (12X18X12)                   | 1    |         |
| 27      | 09263-15003 | BEARING (15X28X2)                    | 1    |         |
| 28      | 09282-10012 | OIL SEAL (10X20X6)                   | 1    |         |
| 29      | 09283-06008 | OIL SEAL (6X34X10.5)                 | 1    |         |
| 30      | 09285-10004 | OIL SEAL (10X17X5)                   | 1    |         |
| 31      | 01547-0620A | BOLT                                 | 1    |         |
| 32      | 08310-0006A | NUT                                  | 1    |         |

DL650AL6\_E99

FIG.206A

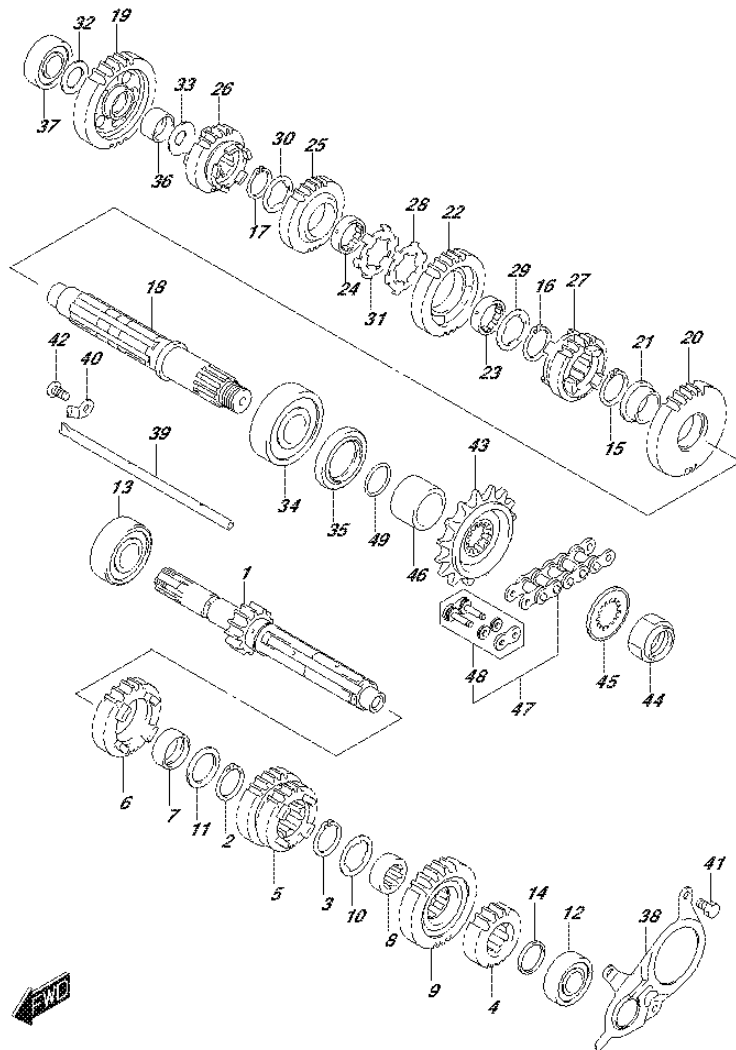


FIG.206A (1-C-10) TRANSMISSION

| REF NO. | PART NO.    | DESCRIPTION                      | Q'TY | REMARKS |
|---------|-------------|----------------------------------|------|---------|
| 1       | 24120-27G00 | SHAFT, COUNTER (NT:13)           | 1    |         |
| 2       | 24127-19F00 | CIRCLIP                          | 1    |         |
| 3       | 24127-19F00 | CIRCLIP                          | 1    |         |
| 4       | 24221-20F10 | GEAR, 2ND DRIVE (NT:18)          | 1    |         |
| 5       | 24231-20F10 | GEAR, 3RD & 4TH DRIVE (NT:21/24) | 1    |         |
| 6       | 24251-20F02 | GEAR, 5TH DRIVE (NT:26)          | 1    |         |
| 7       | 24252-19F00 | BUSH, 5TH DRIVE GEAR             | 1    |         |
| 8       | 24252-38A10 | BUSH, 6TH DRIVE GEAR             | 1    |         |
| 9       | 24261-20F00 | GEAR, 6TH DRIVE (NT:27)          | 1    |         |
| 10      | 09167-25021 | LOCK WASHER                      | 1    |         |
| 11      | 09181-25167 | SHIM (25X34X1)                   | 1    |         |
| 12      | 09262-17046 | BEARING (17X40X12)               | 1    | LH      |
| 13      | 09262-20145 | BEARING (20X52X15)               | 1    | RH      |
| 14      | 09380-25012 | CIRCLIP                          | 1    |         |
| 15      | 24127-19F00 | CIRCLIP                          | 1    |         |
| 16      | 24127-19F00 | CIRCLIP                          | 1    |         |
| 17      | 24127-19F00 | CIRCLIP                          | 1    |         |
| 18      | 24130-44H10 | SHAFT, DRIVE                     | 1    |         |
| 19      | 24311-44H00 | GEAR, 1ST DRIVEN (NT:32)         | 1    |         |
| 20      | 24321-44H10 | GEAR, 2ND DRIVEN (NT:32)         | 1    |         |
| 21      | 24322-19F10 | BUSH, 2ND DRIVEN GEAR            | 1    |         |
| 22      | 24331-44H00 | GEAR, 3RD DRIVEN (NT:29)         | 1    |         |
| 23      | 24332-24510 | BUSH, DRIVEN GEAR                | 1    |         |
| 24      | 24332-24510 | BUSH, DRIVEN GEAR                | 1    |         |
| 25      | 24341-44H00 | GEAR, 4TH DRIVEN (NT:27)         | 1    |         |
| 26      | 24351-44H10 | GEAR, 5TH DRIVEN (NT:25)         | 1    |         |
| 27      | 24361-44H00 | GEAR, 6TH DRIVEN (NT:23)         | 1    |         |
| 28      | 09167-25013 | LOCK WASHER                      | 1    |         |
| 29      | 09167-25021 | LOCK WASHER                      | 1    |         |
| 30      | 09167-25021 | LOCK WASHER                      | 1    |         |
| 31      | 09169-25001 | WASHER                           | 1    |         |
| 32      | 09181-17195 | SHIM (17X28X1)                   | 1    |         |
| 33      | 09181-20195 | SHIM (20X30X1)                   | 1    |         |

FIG.206A

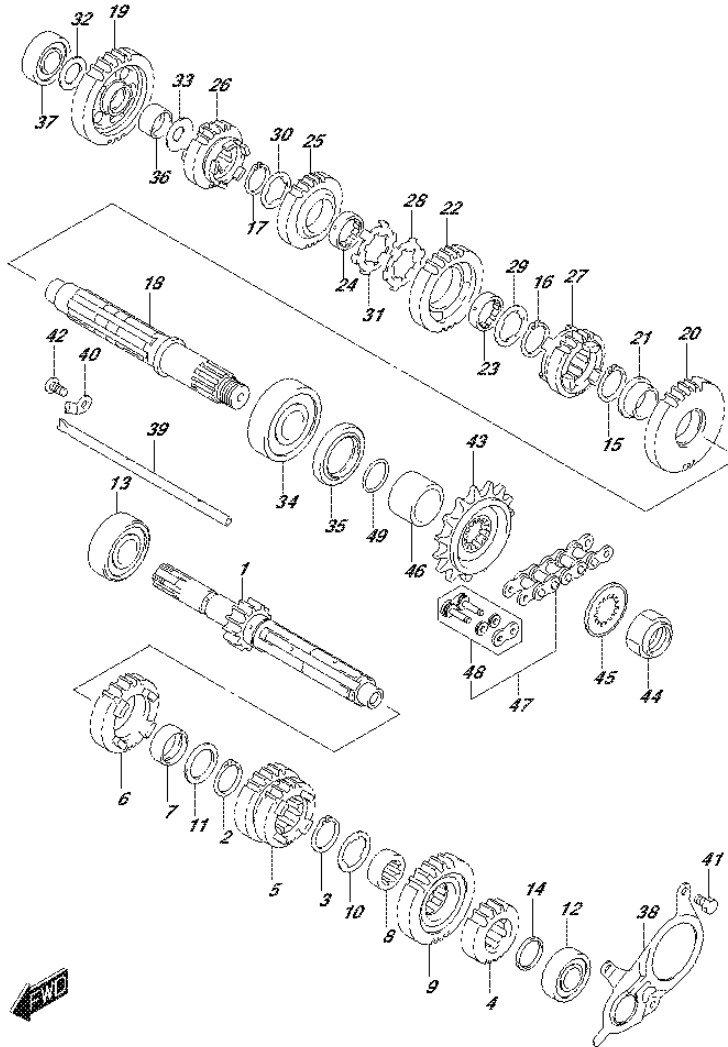


FIG.206A (1-C-11) TRANSMISSION

| REF NO. | PART NO.        | DESCRIPTION                        | Q'TY | REMARKS    |
|---------|-----------------|------------------------------------|------|------------|
| 34      | 09262-25125     | BEARING (25X62X17)                 | 1    | LH         |
| 35      | 09283-36011     | OIL SEAL (36X50X6)                 | 1    |            |
| 36      | 09300-20032     | BUSH (20X24X13)                    | 1    |            |
| 37      | 09262-17023     | BEARING (17X40X12)                 | 1    | RH         |
| 38      | 24751-19F10     | RETAINER, DRIVE SHAFT OIL SEAL     | 1    |            |
| 39      | 24881-12C30     | GUIDE, T/M OIL                     | 1    |            |
| 40      | 24885-12C10     | RETAINER, T/M OIL                  | 1    |            |
| 41      | 01500-0612A     | BOLT                               | 3    |            |
| 42      | 02112-0612A     | SCREW                              | 1    |            |
| 43      | 27510-20F00     | SPROCKET, ENGINE (NT:15)           | 1    |            |
| 44      | 09159-20004     | NUT                                | 1    |            |
| 45      | 09167-25028     | LOCK WASHER                        | 1    |            |
| 46      | 27531-19F10     | SPACER, ENGINE SPROCKET            | 1    |            |
| 47      | 27600-06G40-120 | CHAIN ASSY, DRIVE<br>(RK 525SMOZ8) | 1    | L:120->118 |
| 48      | 27620-06G40     | JOINT SET, DRIVE CHAIN             | 1    |            |
| 49      | 09280-24010     | O RING (D:2.4,ID:23.7)             | 1    |            |



FIG.212A

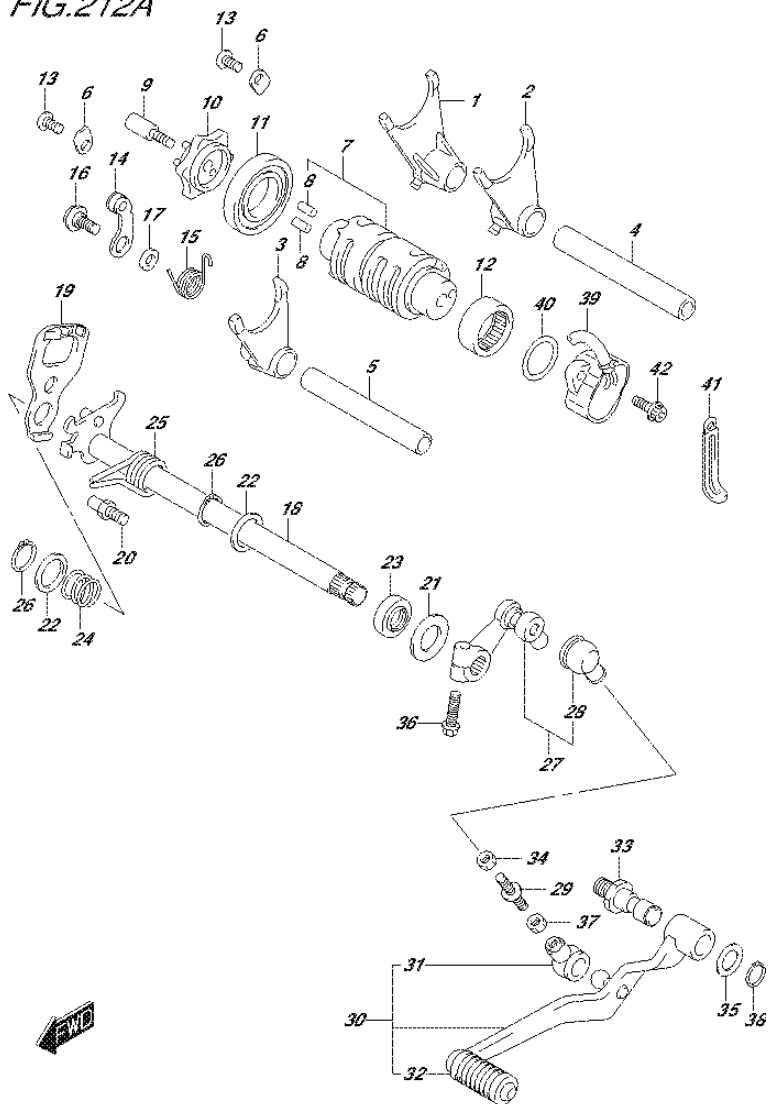
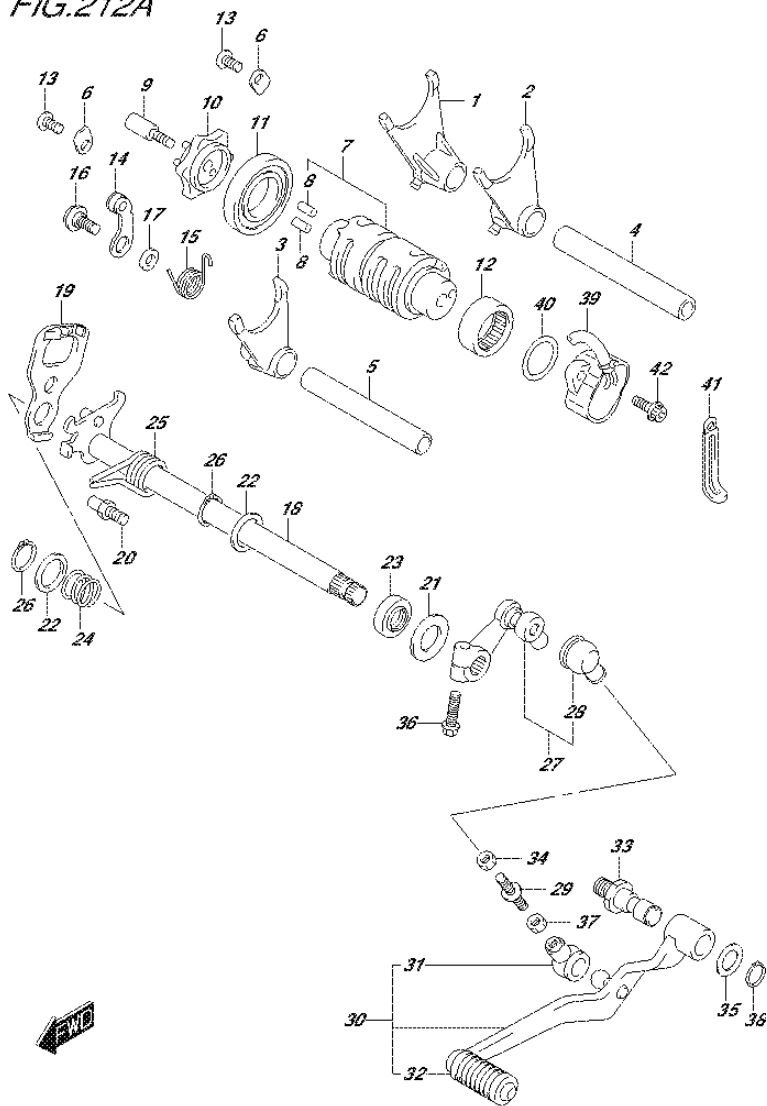


FIG.212A (1-C-12) GEAR SHIFTING

| REF NO. | PART NO.    | DESCRIPTION                 | Q'TY | REMARKS |
|---------|-------------|-----------------------------|------|---------|
| 1       | 25211-42E20 | FORK, GEAR SHIFT NO.1       | 1    |         |
| 2       | 25221-42E20 | FORK, GEAR SHIFT NO.2       | 1    |         |
| 3       | 25231-42E20 | FORK, GEAR SHIFT NO.3       | 1    |         |
| 4       | 25411-26D01 | SHAFT, GEAR SHIFT FORK      | 1    |         |
| 5       | 25411-44B00 | SHAFT, GEAR SHIFT FORK      | 1    |         |
| 6       | 24741-21A00 | RETAINER, SHIFT CAM BEARING | 2    |         |
| 7       | 25310-19F00 | CAM, GEAR SHIFT             | 1    |         |
| 8       | 04221-04089 | .PIN                        | 2    |         |
| 9       | 25312-42F01 | STOPPER, GEAR SHIFT CAM     | 1    |         |
| 10      | 25381-19F20 | PLATE, GEAR SHIFT CAM       | 1    |         |
| 11      | 09262-25006 | BEARING (25X47X8)           | 1    |         |
| 12      | 09263-25018 | BEARING (25X32X12)          | 1    |         |
| 13      | 02112-0612A | SCREW                       | 2    |         |
| 14      | 25350-35F00 | STOPPER, SHIFT CAM          | 1    |         |
| 15      | 25355-35F01 | SPRING                      | 1    |         |
| 16      | 09111-06041 | BOLT (6X14.3)               | 1    |         |
| 17      | 08211-06141 | WASHER                      | 1    |         |
| 18      | 25510-19F10 | SHAFT, GEAR SHIFT           | 1    |         |
| 19      | 25512-06G10 | PLATE, GEAR SHIFT CAM DRIVE | 1    |         |
| 20      | 25671-01011 | STOPPER, GEAR SHIFT ARM     | 1    |         |
| 21      | 09160-14016 | WASHER (14X29X0.8)          | 1    |         |
| 22      | 09181-14167 | SHIM (14X22X1)              | 2    |         |
| 23      | 09283-14005 | OIL SEAL (14X22X7.3)        | 1    |         |
| 24      | 09440-17009 | SPRING                      | 1    |         |
| 25      | 09444-20001 | SPRING                      | 1    |         |
| 26      | 08331-3114A | CIRCLIP                     | 3    |         |
| 27      | 25520-27G00 | ARM, GEAR SHIFT LINK        | 1    |         |
| 28      | 25526-47000 | .COVER, DUST                | 1    |         |
| 29      | 25525-27G00 | ROD, GEAR SHIFT             | 1    |         |
| 30      | 25600-11J00 | LEVER ASSY, GEAR SHIFT      | 1    |         |
| 31      | 25526-47000 | .COVER, DUST                | 1    |         |
| 32      | 25652-20C00 | .RUBBER, GEAR SHIFT PEDAL   | 1    |         |

FIG.212A



DL650AL6\_E99\_212A  
GEAR SHIFTING

FIG.212A (1-C-13) GEAR SHIFTING

| REF NO. | PART NO.    | DESCRIPTION                | Q'TY | REMARKS |
|---------|-------------|----------------------------|------|---------|
| 33      | 25617-03F10 | SHAFT, GEAR SHIFT LEVER    | 1    |         |
| 34      | 08310-00067 | NUT                        | 1    |         |
| 35      | 09160-12011 | WASHER (12.5X20X1)         | 1    |         |
| 36      | 01547-0620A | BOLT                       | 1    |         |
| 37      | 09140-06025 | NUT                        | 1    |         |
| 38      | 08331-3112A | CIRCLIP                    | 1    |         |
| 39      | 37730-44H01 | SENSOR ASSY, GEAR POSITION | 1    |         |
| 40      | 09280-26005 | O RING (D:2.4, ID:26.2)    | 1    |         |
| 41      | 09404-08419 | CLAMP (L:80)               | 1    |         |
| 42      | 09106-05023 | BOLT (5X16)                | 2    |         |

DL650AL6\_E99

FIG.301A

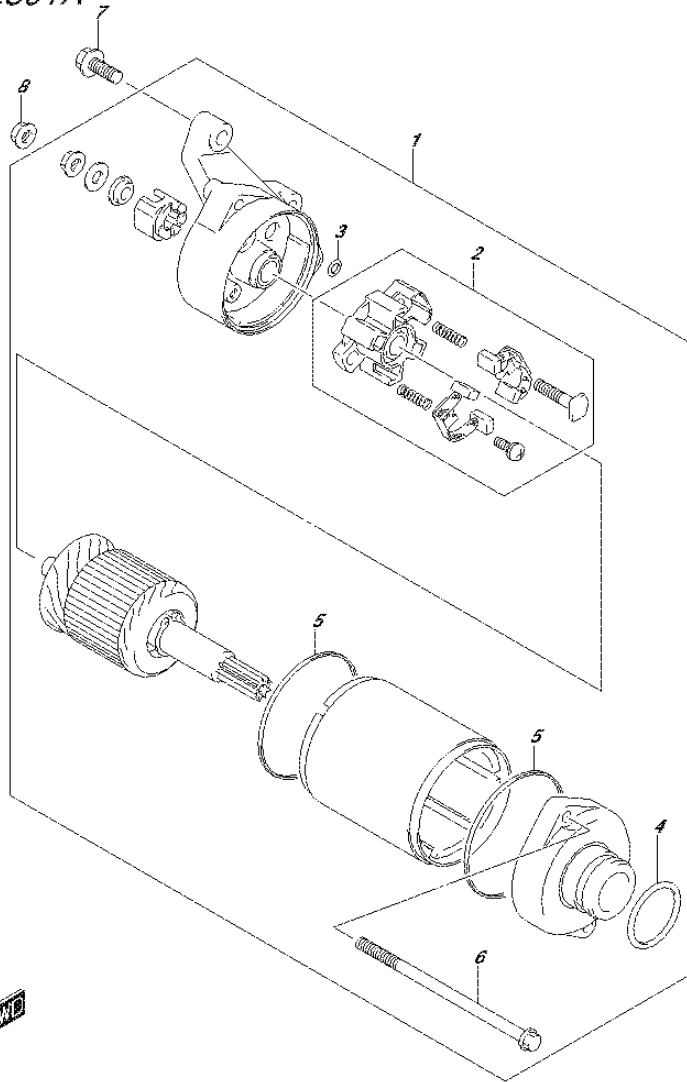


FIG.301A (1-C-14) STARTING MOTOR

| REF NO. | PART NO.    | DESCRIPTION          | Q'TY | REMARKS |
|---------|-------------|----------------------|------|---------|
| 1       | 31100-19F10 | MOTOR ASSY, STARTING | 1    |         |
| 2       | 31132-18H00 | .BRUSH HOLDER SET    | 1    |         |
| 3       | 31143-49040 | .O RING              | 1    |         |
| 4       | 31156-98E00 | .O RING              | 1    |         |
| 5       | 31264-38F10 | .SQUARE RING         | 2    |         |
| 6       | 31280-19F10 | .SET BOLT            | 2    |         |
| 7       | 01547-0625A | BOLT                 | 2    |         |
| 8       | 08361-3506A | NUT                  | 1    |         |

FIG.303A

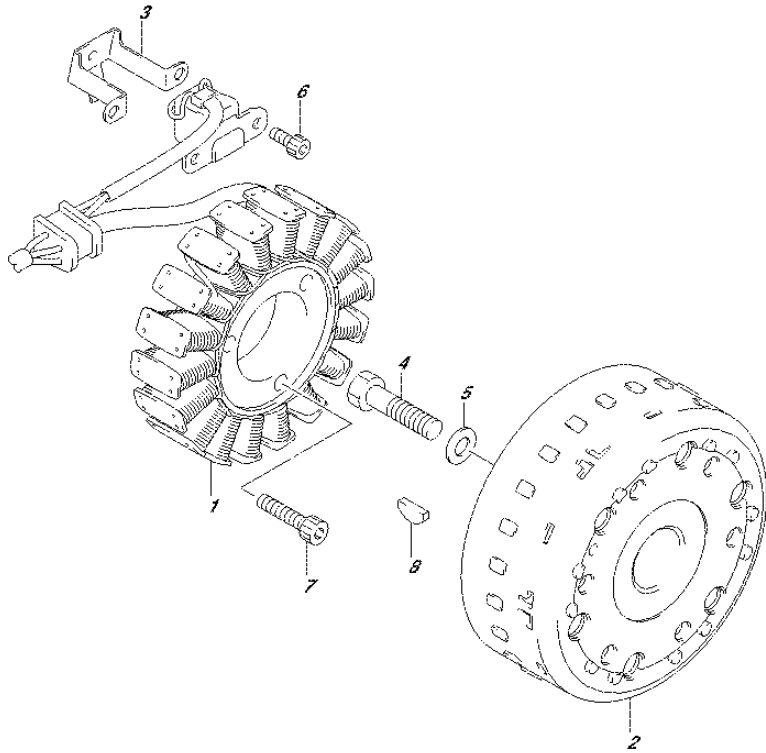


FIG.303A (1-C-15) MAGNETO

| REF NO. | PART NO.    | DESCRIPTION         | Q'TY | REMARKS |
|---------|-------------|---------------------|------|---------|
| 1       | 32101-17G11 | STATOR ASSY         | 1    |         |
| 2       | 32102-17G10 | ROTOR ASSY          | 1    |         |
| 3       | 32371-19F10 | CLAMP, MAGNETO LEAD | 1    |         |
| 4       | 09103-12004 | BOLT (12X40)        | 1    |         |
| 5       | 09160-12036 | WASHER (12X30X3)    | 1    |         |
| 6       | 07130-0512A | BOLT                | 2    |         |
| 7       | 07130-0635A | BOLT                | 3    |         |
| 8       | 09420-04008 | KEY                 | 1    |         |

FIG.310A

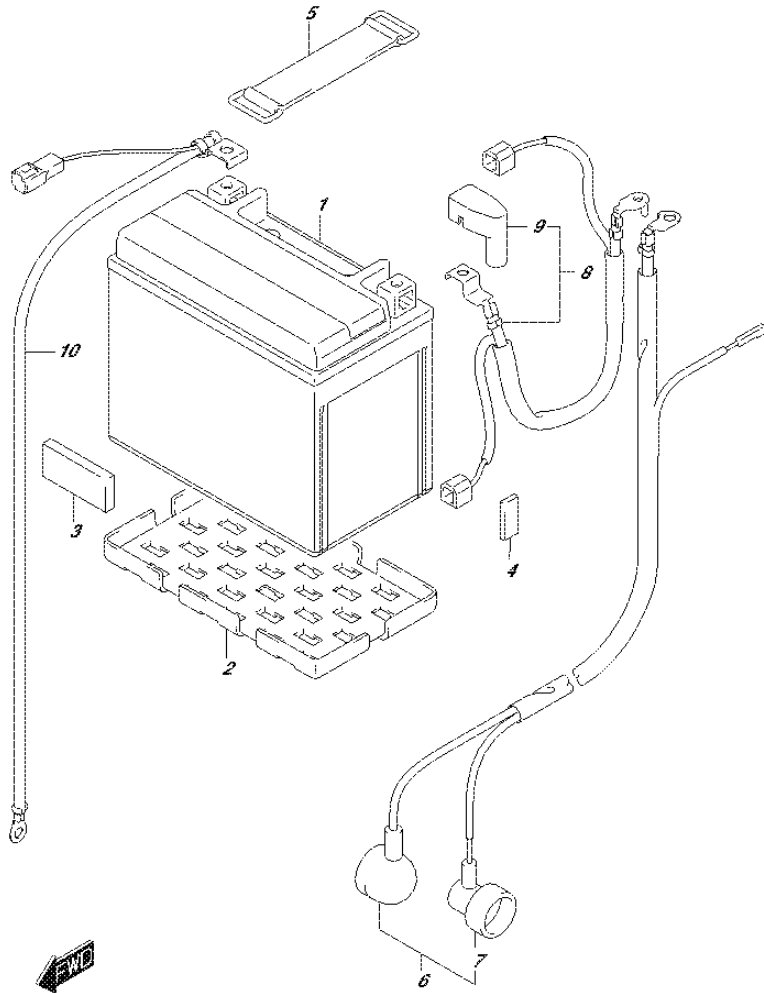


FIG.310A (1-D-2) BATTERY

| REF NO. | PART NO.    | DESCRIPTION               | Q'TY | REMARKS         |
|---------|-------------|---------------------------|------|-----------------|
| 1       | 33610-48E21 | BATTERY ASSY (FTX12-BS)   | 1    |                 |
| 2       | 33652-16G00 | PROTECTOR, BATTERY        | 1    |                 |
| 3       | 33652-08420 | PROTECTOR (70X100X6)      | 1    | CUT AS REQUIRED |
| 4       | 44543-10G00 | PROTECTOR (20X40X3.0)     | 1    | CUT AS REQUIRED |
| 5       | 09462-00007 | BAND                      | 1    |                 |
| 6       | 33810-27G21 | WIRE, STARTER MOTOR LEAD  | 1    |                 |
| 7       | 36618-31J00 | .CAP, OIL PRESSURE SWITCH | 1    |                 |
| 8       | 33820-27G10 | WIRE, BATTERY (+)LEAD     | 1    |                 |
| 9       | 33624-27G00 | .CAP, BATTERY (+)         | 1    |                 |
| 10      | 33860-27G10 | WIRE, BATTERY (-)LEAD     | 1    |                 |

FIG.312A

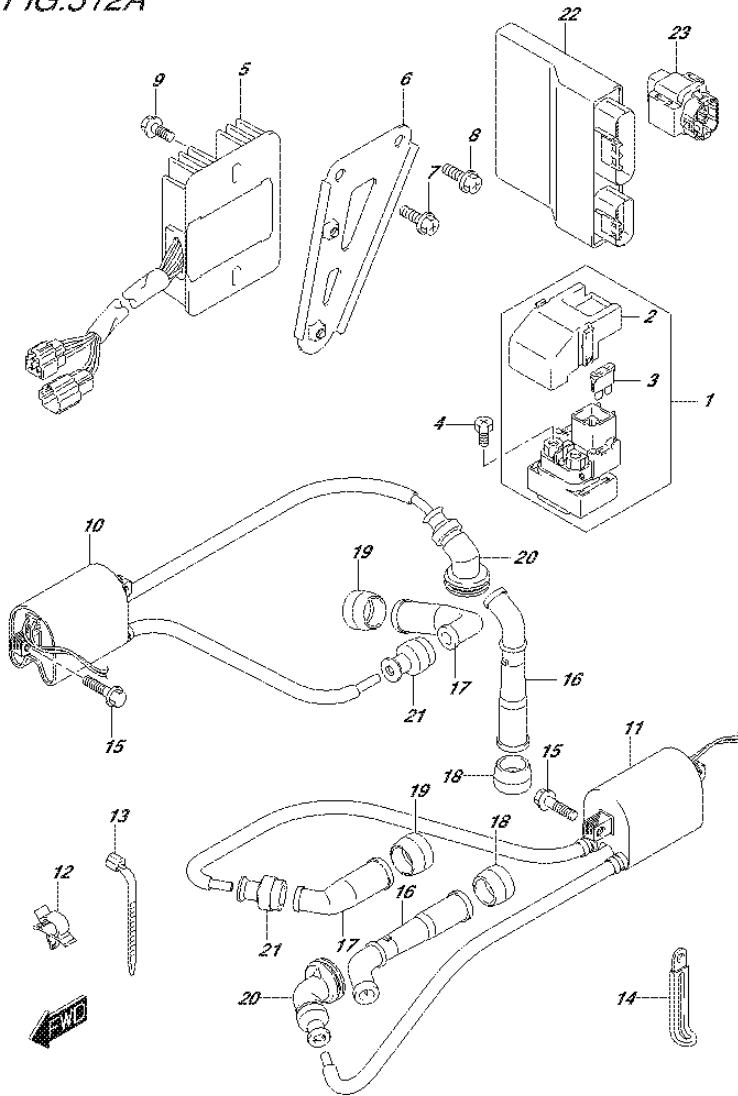


FIG.312A (1-D-3) ELECTRICAL

| REF NO. | PART NO.    | DESCRIPTION                | Q'TY | REMARKS    |
|---------|-------------|----------------------------|------|------------|
| 1       | 31800-06G00 | RELAY ASSY, STARTING MOTOR | 1    |            |
| 2       | 31861-47E00 | .COVER, RELAY ASSY         | 1    |            |
| 3       | 09481-30101 | .FUSE (30A)                | 2    |            |
| 4       | 09128-06013 | SCREW (6X8)                | 2    |            |
| 5       | 32800-47H00 | RECTIFIER ASSY             | 1    |            |
| 6       | 32830-11J00 | BRACKET, RECTIFIER         | 1    |            |
| 7       | 02162-0616A | SCREW                      | 1    |            |
| 8       | 02162-0610A | SCREW                      | 1    |            |
| 9       | 02162-0616A | SCREW                      | 2    |            |
| 10      | 33410-27G00 | COIL ASSY, IGNITION        | 1    |            |
| 11      | 33420-27G00 | COIL ASSY, IGNITION        | 1    |            |
| 12      | 09403-10319 | CLAMP                      | 1    |            |
| 13      | 09407-18402 | CLAMP (L:165)              | 1    |            |
| 14      | 09404-06429 | CLAMP (L:45)               | 1    |            |
| 15      | 01547-0625A | BOLT                       | 4    |            |
| 16      | 33510-17G00 | CAP, SPARK PLUG            | 2    | FOR CENTER |
| 17      | 33510-20E00 | CAP, SPARK PLUG            | 2    | FOR SIDE   |
| 18      | 33541-23E10 | SEAL, SPARK PLUG CAP       | 2    | FOR CENTER |
| 19      | 33541-47D00 | SEAL, SPARK PLUG CAP       | 2    | FOR SIDE   |
| 20      | 33542-17G01 | SEAL, HIGH TENSION CORD    | 2    | FOR CENTER |
| 21      | 33542-38B00 | SEAL, HIGH TENSION CORD    | 2    | FOR SIDE   |
| 22      | 32920-11JA0 | CONTROL UNIT, FI           | 1    |            |
| 23      | 33960-27G00 | SENSOR ASSY, FUEL CUT      | 1    |            |

FIG.330A

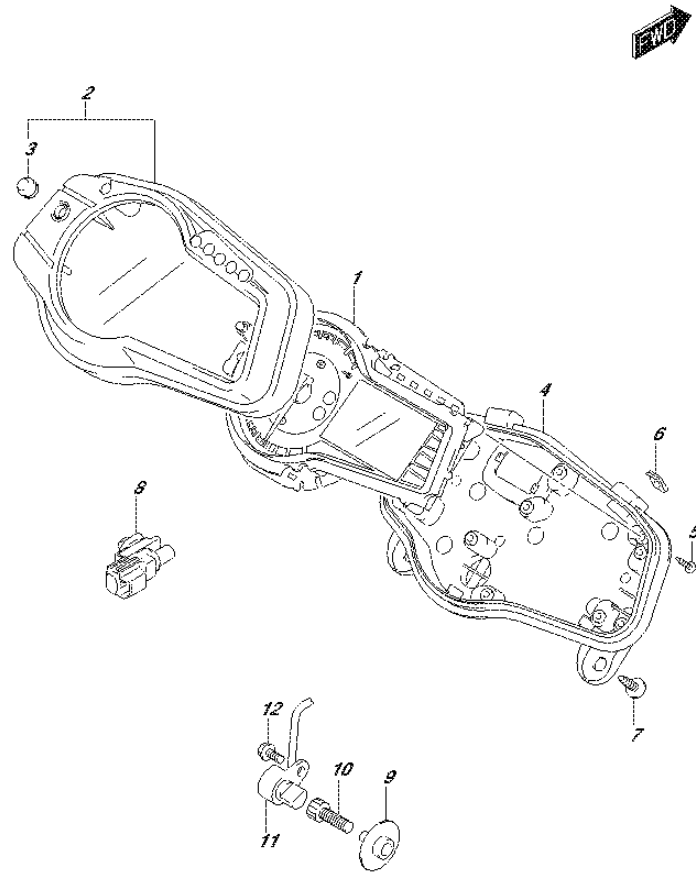


FIG.330A (1-D-4) SPEEDOMETER

| REF NO. | PART NO.    | DESCRIPTION              | Q'TY | REMARKS |
|---------|-------------|--------------------------|------|---------|
| 1       | 34120-11J02 | SPEEDOMETER              | 1    |         |
| 2       | 34150-11J00 | CASE, UPPER              | 1    |         |
| 3       | 34124-38G00 | .RUBBER, SWITCH          | 1    |         |
| 4       | 34111-11J00 | CASE, LOWER              | 1    |         |
| 5       | 09132-03008 | SCREW (3X16)             | 11   |         |
| 6       | 09148-05052 | NUT                      | 2    |         |
| 7       | 03541-0516A | SCREW                    | 2    |         |
| 8       | 95643-58J00 | SENSOR, AMBIENT AIR TEMP | 1    |         |
| 9       | 34981-38G01 | ROTOR, SPEED             | 1    |         |
| 10      | 07130-0825A | BOLT                     | 1    |         |
| 11      | 34990-35F00 | SENSOR, SPEED            | 1    |         |
| 12      | 07120-0512B | BOLT                     | 1    |         |

FIG.333A

FIG.333A (1-D-5) HEADLAMP (WITHOUT REFLECTOR)

| REF NO. | PART NO.        | DESCRIPTION            | Q'TY | REMARKS |
|---------|-----------------|------------------------|------|---------|
| 1       | 09136-05062     | SCREW (5X15)           | 7    |         |
| 2       | 35100-11J00-999 | HEADLAMP ASSY          | 1    |         |
| 3       | 35118-68K00     | .SOCKET, POSITION LAMP | 2    |         |
| 4       | 35179-58J00     | .COVER, SOCKET         | 2    |         |
| 5       | 44572-02F01     | .FASTENER              | 1    |         |
| 6       | 44572-37H00     | .FASTENER, COWLING     | 2    |         |
| 7       | 09320-08028     | .CUSHION               | 2    |         |
| 8       | 09320-09039     | .CUSHION               | 7    |         |
| 9       | 09471-12182     | BULB (12V,60/55W)      | 2    |         |
| 10      | 09471-12216     | BULB (12V5W)           | 2    |         |

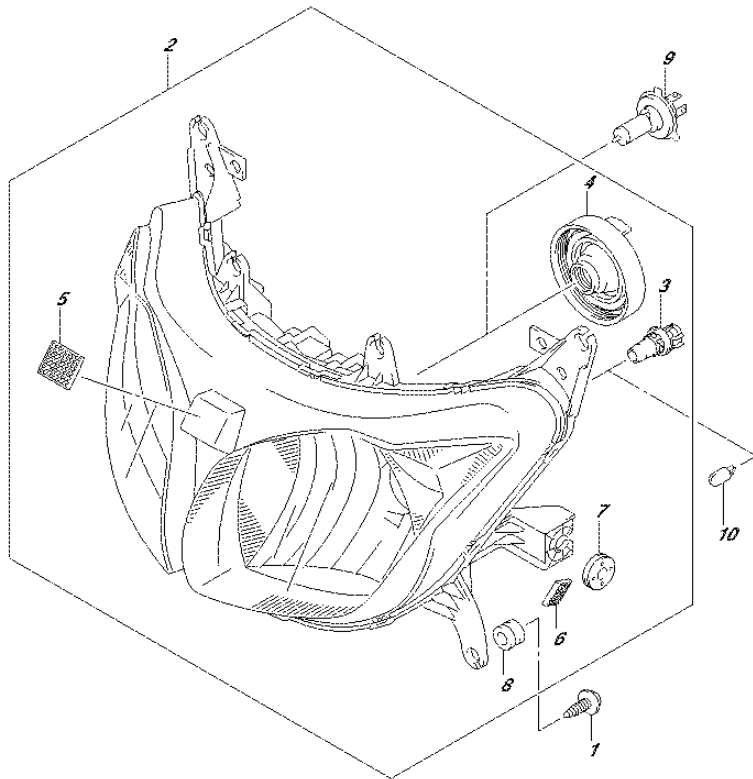




FIG.333C

FIG.333C (1-D-6) HEADLAMP (WITH REFLECTOR)

| REF NO. | PART NO.        | DESCRIPTION                    | Q'TY | REMARKS |
|---------|-----------------|--------------------------------|------|---------|
| 1       | 09136-05062     | SCREW (5X15)                   | 7    |         |
| 2       | 35100-11J00-999 | HEADLAMP ASSY                  | 1    |         |
| 3       | 35118-68K00     | .SOCKET, POSITION LAMP         | 2    |         |
| 4       | 35179-58J00     | .COVER, SOCKET                 | 2    |         |
| 5       | 44572-02F01     | .FASTENER                      | 1    |         |
| 6       | 44572-37H00     | .FASTENER, COWLING             | 2    |         |
| 7       | 09320-08028     | .CUSHION                       | 2    |         |
| 8       | 09320-09039     | .CUSHION                       | 7    |         |
| 9       | 09471-12182     | BULB (12V,60/55W)              | 2    |         |
| 10      | 09471-12216     | BULB (12V5W)                   | 2    |         |
| 11      | 35950-14A11     | REFLEX REFLECTOR ASSY, FR SIDE | 2    |         |
| 12      | 09119-05023     | BOLT (5X10)                    | 2    |         |
| 13      | 08322-0105A     | WASHER                         | 2    |         |

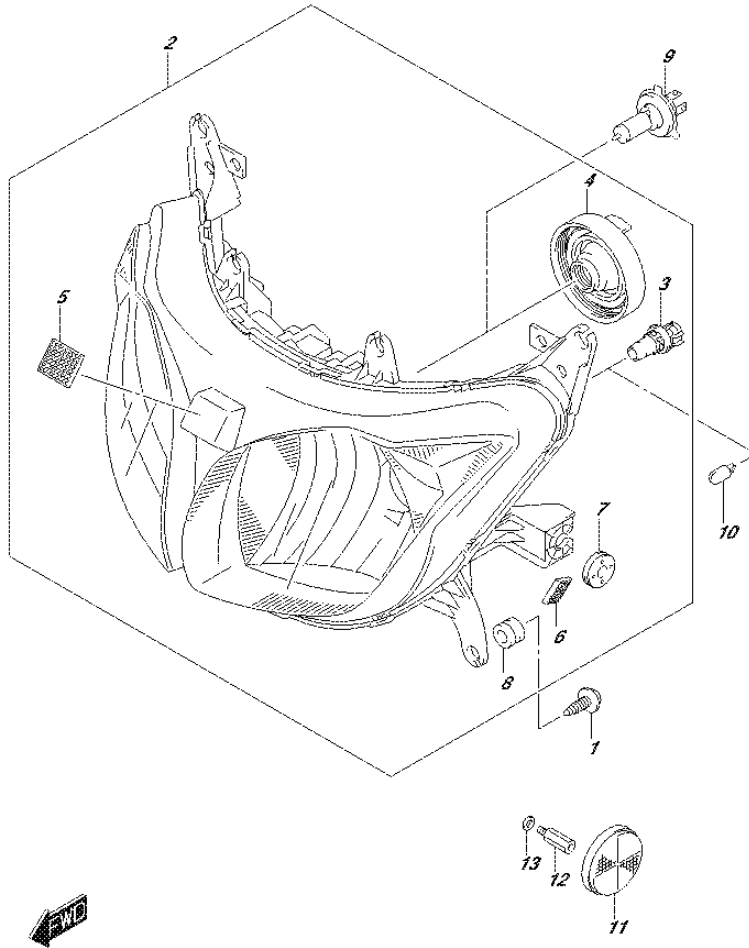


FIG.334A

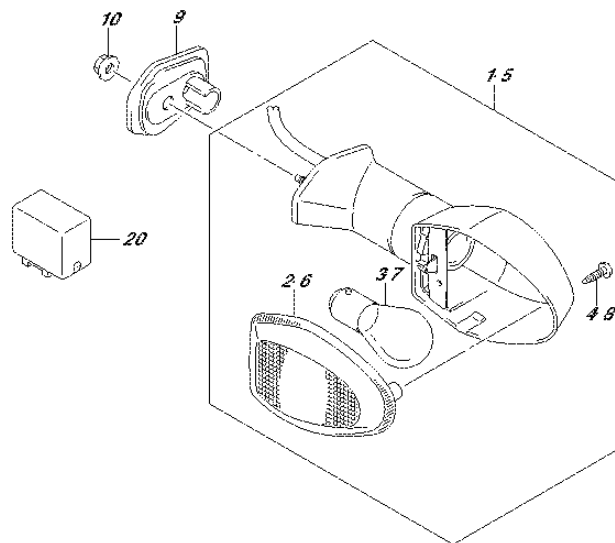
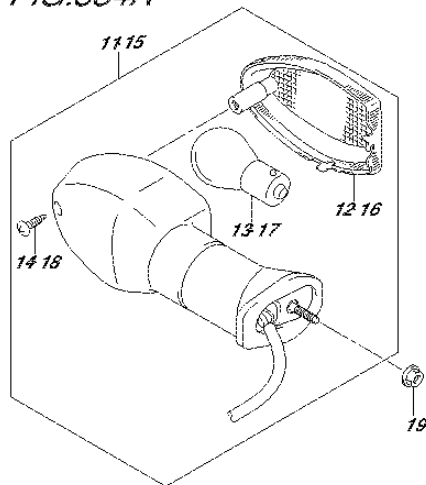


FIG.334A (1-D-7) TURN SIGNAL LAMP

| REF NO. | PART NO.    | DESCRIPTION                  | Q'TY | REMARKS |
|---------|-------------|------------------------------|------|---------|
| 1       | 35601-08J01 | LAMP ASSY, FR TURN SIGNAL RH | 1    |         |
| 2       | 35612-08J01 | .LENS                        | 1    |         |
| 3       | 09471-12045 | .BULB (12V,21W)              | 1    |         |
| 4       | 03211-0414B | .SCREW                       | 1    |         |
| 5       | 35602-08J01 | LAMP ASSY, FR TURN SIGNAL LH | 1    |         |
| 6       | 35632-08J01 | .LENS                        | 1    |         |
| 7       | 09471-12045 | .BULB (12V,21W)              | 1    |         |
| 8       | 03211-0414B | .SCREW                       | 1    |         |
| 9       | 35629-18G00 | PLATE, FRONT TURN SIGNAL     | 2    |         |
| 10      | 08316-1005A | NUT                          | 2    |         |
| 11      | 35603-08J11 | LAMP ASSY, RR TURN SIGNAL RH | 1    |         |
| 12      | 35632-08J01 | .LENS                        | 1    |         |
| 13      | 09471-12045 | .BULB (12V,21W)              | 1    |         |
| 14      | 03211-0414B | .SCREW                       | 1    |         |
| 15      | 35604-08J11 | LAMP ASSY, RR TURN SIGNAL LH | 1    |         |
| 16      | 35612-08J01 | .LENS                        | 1    |         |
| 17      | 09471-12045 | .BULB (12V,21W)              | 1    |         |
| 18      | 03211-0414B | .SCREW                       | 1    |         |
| 19      | 08319-3105A | NUT                          | 2    |         |
| 20      | 38610-03F00 | RELAY ASSY, TURN SIGNAL LAMP | 1    |         |

FIG.339A

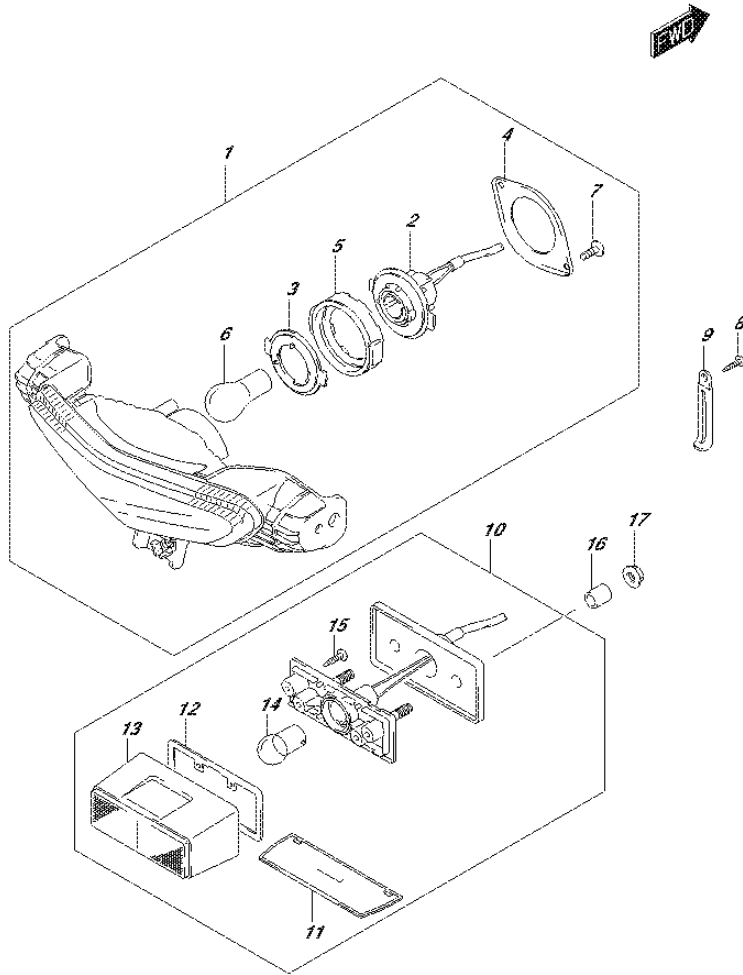


FIG.339A (1-D-8) REAR COMBINATION LAMP (WITHOUT REFLECTOR)

| REF NO. | PART NO.    | DESCRIPTION                 | Q'TY | REMARKS |
|---------|-------------|-----------------------------|------|---------|
| 1       | 35710-11J01 | LAMP ASSY, REAR COMBINATION | 1    |         |
| 2       | 35718-11J01 | .SOCKET & CORD              | 1    |         |
| 3       | 35716-48B21 | .PLATE, NO.1                | 1    |         |
| 4       | 35736-48B21 | .PLATE, NO.2                | 1    |         |
| 5       | 35765-42E00 | .CUSHION                    | 1    |         |
| 6       | 09471-12083 | .BULB (12V,21/5W)           | 1    |         |
| 7       | 03211-0412A | .SCREW                      | 2    |         |
| 8       | 03541-0616A | .SCREW                      | 1    |         |
| 9       | 09404-06429 | CLAMP (L:45)                | 1    |         |
| 10      | 35910-41G01 | LAMP ASSY, LICENSE          | 1    |         |
| 11      | 35912-41G01 | .LENS                       | 1    |         |
| 12      | 35913-41G00 | .GASKET                     | 1    |         |
| 13      | 35917-41G00 | .COVER                      | 1    |         |
| 14      | 09471-12140 | .BULB (12V,5W)              | 1    |         |
| 15      | 03211-0416A | .SCREW                      | 2    |         |
| 16      | 09180-06263 | SPACER (6.5X9X9)            | 2    |         |
| 17      | 09159-06096 | NUT                         | 2    |         |

FIG.339C

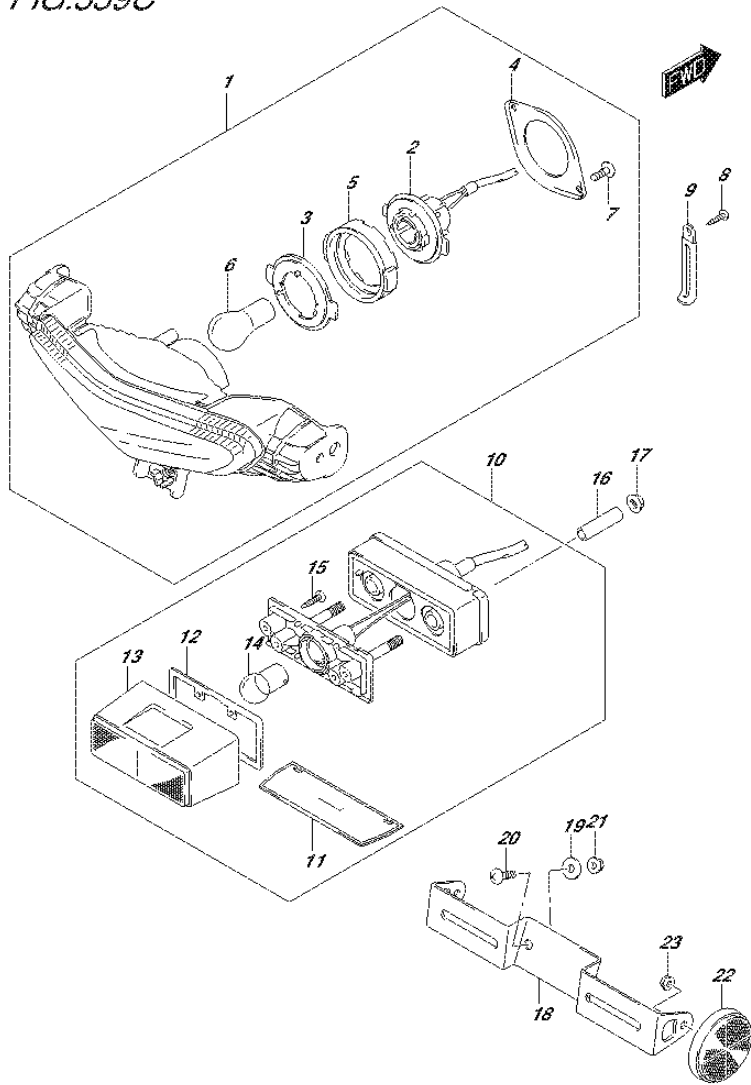
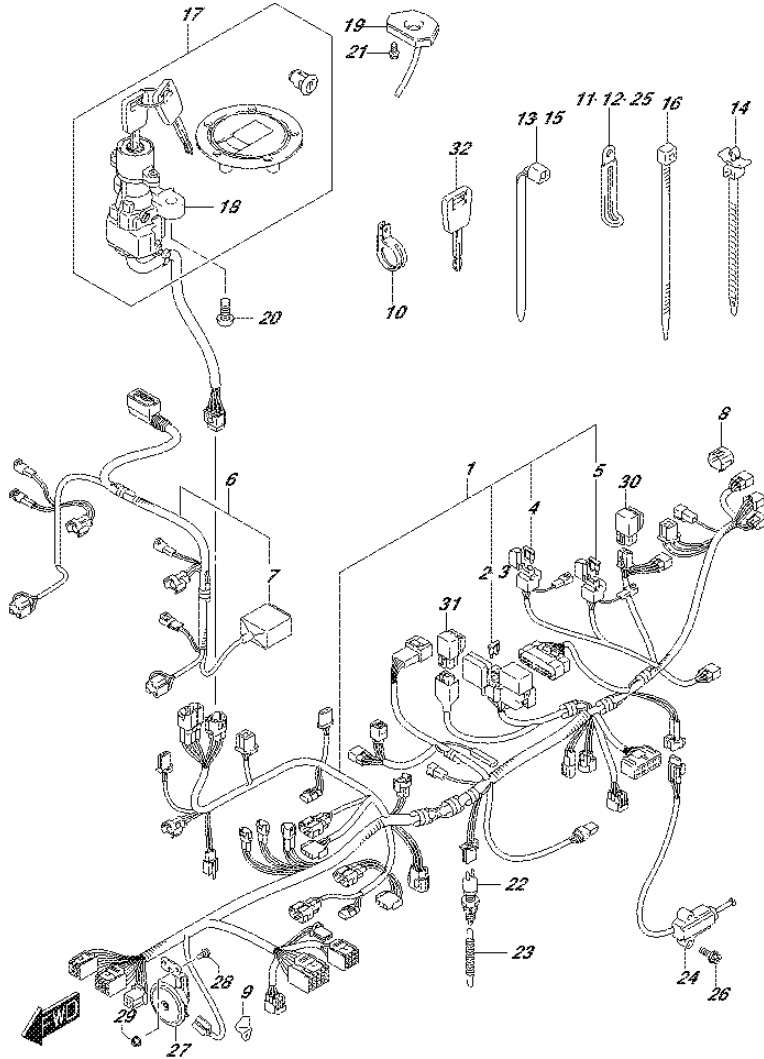


FIG.339C (1-D-9) REAR COMBINATION LAMP (WITH REFLECTOR)

| REF NO. | PART NO.    | DESCRIPTION                 | Q'TY | REMARKS |
|---------|-------------|-----------------------------|------|---------|
| 1       | 35710-11J01 | LAMP ASSY, REAR COMBINATION | 1    |         |
| 2       | 35718-11J01 | .SOCKET & CORD              | 1    |         |
| 3       | 35716-48B21 | .PLATE, NO.1                | 1    |         |
| 4       | 35736-48B21 | .PLATE, NO.2                | 1    |         |
| 5       | 35765-42E00 | .CUSHION                    | 1    |         |
| 6       | 09471-12083 | .BULB (12V,21/5W)           | 1    |         |
| 7       | 03211-0412A | .SCREW                      | 2    |         |
| 8       | 03541-0616A | .SCREW                      | 1    |         |
| 9       | 09404-06429 | CLAMP (L:45)                | 1    |         |
| 10      | 35910-41G31 | LAMP ASSY, LICENSE          | 1    |         |
| 11      | 35912-41G01 | .LENS                       | 1    |         |
| 12      | 35913-41G00 | .GASKET                     | 1    |         |
| 13      | 35917-41G00 | .COVER                      | 1    |         |
| 14      | 09471-12140 | .BULB (12V,5W)              | 1    |         |
| 15      | 03211-0416A | .SCREW                      | 2    |         |
| 16      | 09180-06278 | SPACER (6.5X9X33.3)         | 2    |         |
| 17      | 09159-06096 | NUT                         | 2    |         |
| 18      | 35927-14J30 | BRACKET, LICENSE PLATE      | 1    |         |
| 19      | 09160-06077 | WASHER (6.5X20X1.2)         | 2    |         |
| 20      | 02142-0616A | SCREW                       | 2    |         |
| 21      | 08316-1006A | NUT                         | 2    |         |
| 22      | 35970-14A20 | REFLECTOR ASSY, REAR SIDE   | 2    |         |
| 23      | 08316-1005A | NUT                         | 2    |         |

FIG.350A



DL650AL6\_E99\_350A  
WIRING HARNESS

FIG.350A (1-D-10) WIRING HARNESS

| REF NO. | PART NO.    | DESCRIPTION             | Q'TY | REMARKS |
|---------|-------------|-------------------------|------|---------|
| 1       | 36610-11JH0 | HARNESS, WIRING NO.1    | 1    |         |
| 2       | 09481-10501 | .FUSE (10A)             | 2    |         |
| 3       | 09481-15501 | .FUSE (15A)             | 4    |         |
| 4       | 09481-15101 | .FUSE (15A)             | 2    |         |
| 5       | 09481-25103 | .FUSE (25A)             | 2    |         |
| 6       | 36620-11J02 | HARNESS, WIRING NO.2    | 1    |         |
| 7       | 36618-47H00 | .CAP                    | 1    |         |
| 8       | 36654-06J00 | CAP, TS                 | 1    |         |
| 9       | 36711-11J00 | GUIDE, WIRING HARNESS   | 1    |         |
| 10      | 09403-26401 | CLAMP                   | 1    |         |
| 11      | 09404-06429 | CLAMP (L:45)            | 1    |         |
| 12      | 09404-06433 | CLAMP (L:80)            | 1    |         |
| 13      | 09407-14403 | CLAMP (L:125)           | 2    |         |
| 14      | 09407-14408 | CLAMP (L:120)           | 1    |         |
| 15      | 09407-18402 | CLAMP (L:165)           | 2    |         |
| 16      | 09407-14407 | CLAMP (L:145)           | 2    |         |
| 17      | 37000-11851 | LOCK SET                | 1    |         |
| 18      | 37100-11J11 | .LOCK ASSY, STEERING    | 1    |         |
| 19      | 37180-15H01 | COVER, STEERING LOCK    | 1    |         |
| 20      | 09119-08100 | BOLT (8X20)             | 2    |         |
| 21      | 01547-0512B | BOLT                    | 2    |         |
| 22      | 37740-45D00 | SWITCH ASSY, STOP LAMP  | 1    |         |
| 23      | 09443-06012 | SPRING                  | 1    |         |
| 24      | 37840-06G00 | SWITCH ASSY, SIDE STAND | 1    |         |
| 25      | 09404-06429 | CLAMP (L:45)            | 1    |         |
| 26      | 01550-0616A | BOLT                    | 2    |         |
| 27      | 38500-11J00 | HORN ASSY               | 1    |         |
| 28      | 09118-06017 | BOLT (6X16)             | 2    |         |
| 29      | 08316-1006A | NUT                     | 2    |         |
| 30      | 38740-24X50 | RELAY ASSY              | 1    |         |
| 31      | 38740-24X50 | RELAY ASSY              | 1    |         |
| 32      | 37146-11J00 | KEY, BLANK              | 1    | OPT     |

DL650AL6\_E99

FIG.355A

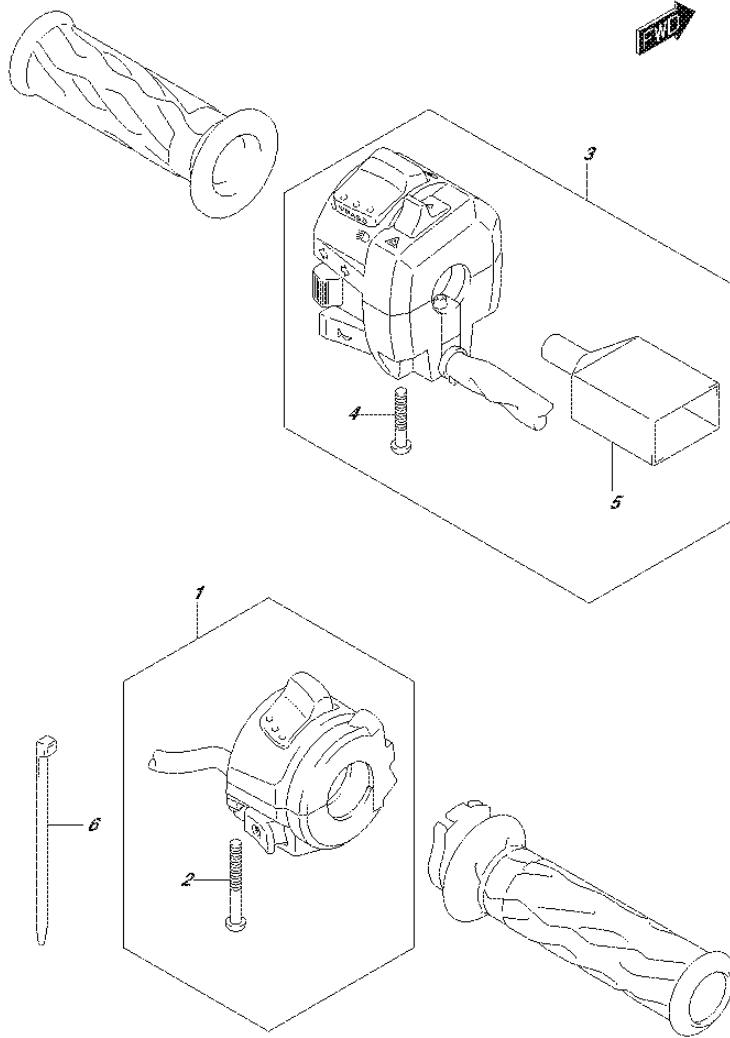


FIG.355A (1-D-11) HANDLE SWITCH

| REF NO. | PART NO.    | DESCRIPTION            | Q'TY | REMARKS |
|---------|-------------|------------------------|------|---------|
| 1       | 37200-11J10 | SWITCH ASSY, HANDLE RH | 1    |         |
| 2       | 02112-0530B | .SCREW                 | 2    |         |
| 3       | 37400-11J10 | SWITCH ASSY, HANDLE LH | 1    |         |
| 4       | 02112-0535B | .SCREW                 | 2    |         |
| 5       | 36618-18G10 | .COVER, CONNECTOR      | 1    |         |
| 6       | 09407-14407 | CLAMP (L:145)          | 2    |         |

FIG.401A

FIG.401A (1-D-12) FRAME (DL650AL6 E99)

| REF NO. | PART NO.        | DESCRIPTION               | Q'TY | REMARKS |
|---------|-----------------|---------------------------|------|---------|
| 1       | 41100-27G50-YAP | FRAME (BLACK)             | 1    |         |
| 2       | 41200-11J01     | RAIL, SEAT                | 1    |         |
| 3       | 09103-10379     | BOLT (10X30)              | 4    |         |
| 4       | 41911-06G90-YAP | BRACKET, MOUNT RH (BLACK) | 1    |         |
| 5       | 41912-06G90-YAP | BRACKET, MOUNT LH (BLACK) | 1    |         |
| 6       | 09106-08193     | BOLT (8X30)               | 8    |         |
| 7       | 41923-16G00     | BOLT, ADJUSTER CENTER     | 1    |         |
| 8       | 41922-19F20     | NUT, ADJUSTER CENTER      | 1    |         |
| 9       | 41921-16G00     | BOLT, ADJUSTER LOWER      | 1    |         |
| 10      | 41922-33E20     | NUT, ADJUSTER LOWER       | 1    |         |
| 11      | 41941-19F01     | SPACER, ADJUSTER UPPER    | 1    |         |
| 12      | 09106-08168     | BOLT (8X38)               | 1    |         |
| 13      | 43585-27G10     | COVER, PIVOT RH           | 1    |         |
| 14      | 43595-27G00     | COVER, PIVOT LH           | 1    |         |
| 15      | 09251-04003     | CAP                       | 2    |         |

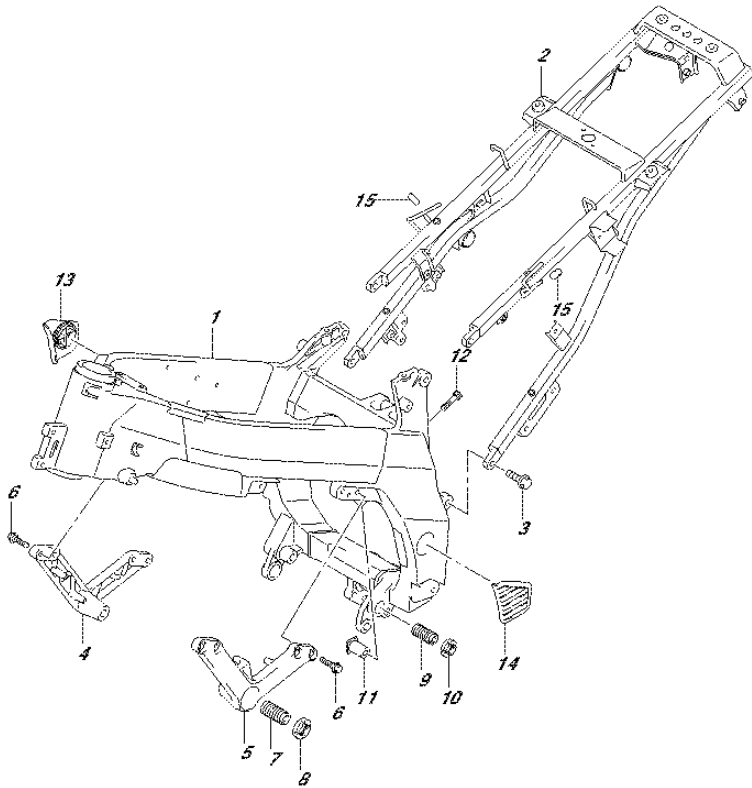


FIG.401B

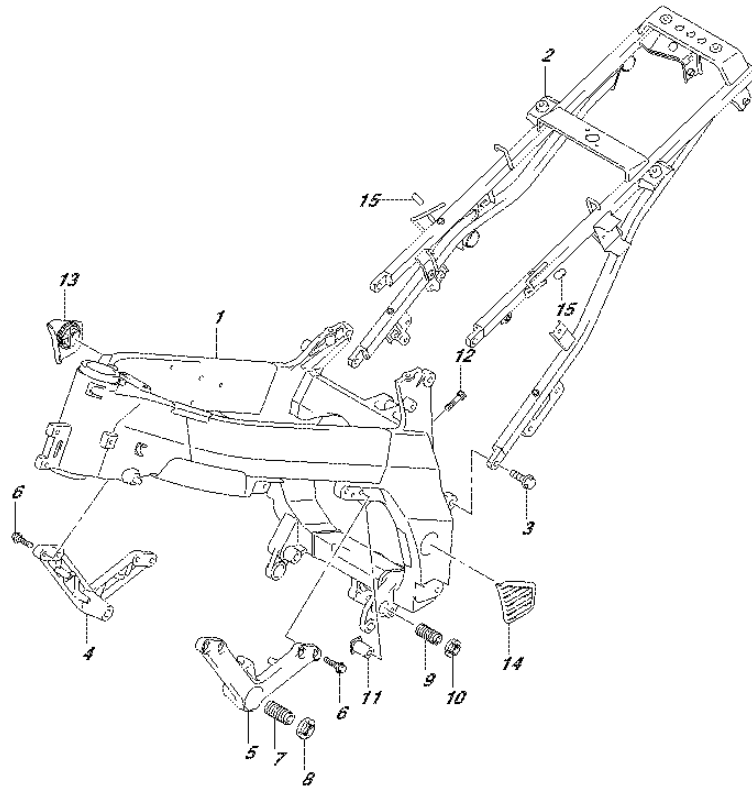


FIG.401B (1-D-13) FRAME (DL650XAL6 E99)

| REF NO. | PART NO.        | DESCRIPTION               | Q'TY | REMARKS |
|---------|-----------------|---------------------------|------|---------|
| 1       | 41100-27G60-YAP | FRAME (BLACK)             | 1    |         |
| 2       | 41200-11J01     | RAIL, SEAT                | 1    |         |
| 3       | 09103-10379     | BOLT (10X30)              | 4    |         |
| 4       | 41911-06G90-YAP | BRACKET, MOUNT RH (BLACK) | 1    |         |
| 5       | 41912-06G90-YAP | BRACKET, MOUNT LH (BLACK) | 1    |         |
| 6       | 09106-08193     | BOLT (8X30)               | 8    |         |
| 7       | 41923-16G00     | BOLT, ADJUSTER CENTER     | 1    |         |
| 8       | 41922-19F20     | NUT, ADJUSTER CENTER      | 1    |         |
| 9       | 41921-16G00     | BOLT, ADJUSTER LOWER      | 1    |         |
| 10      | 41922-33E20     | NUT, ADJUSTER LOWER       | 1    |         |
| 11      | 41941-19F01     | SPACER, ADJUSTER UPPER    | 1    |         |
| 12      | 09106-08168     | BOLT (8X38)               | 1    |         |
| 13      | 43585-27G10     | COVER, PIVOT RH           | 1    |         |
| 14      | 43595-27G00     | COVER, PIVOT LH           | 1    |         |
| 15      | 09251-04003     | CAP                       | 2    |         |



FIG.405A

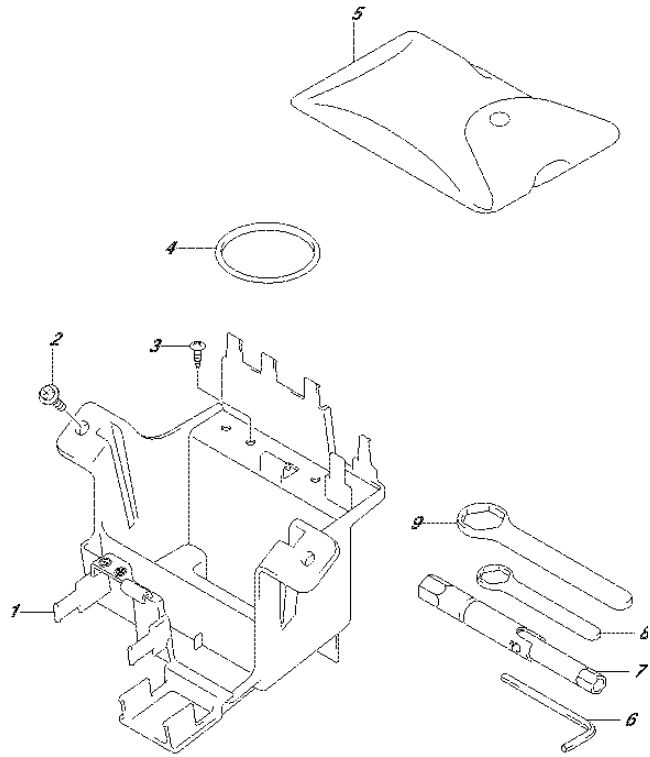


FIG.405A (1-D-14) BATTERY HOLDER

| REF NO. | PART NO.    | DESCRIPTION            | Q'TY | REMARKS |
|---------|-------------|------------------------|------|---------|
| 1       | 47431-27GA0 | HOLDER, BATTERY        | 1    |         |
| 2       | 09111-06106 | BOLT (6X12)            | 2    |         |
| 3       | 03541-0516A | SCREW                  | 2    |         |
| 4       | 09280-63003 | O RING (D:3.5,ID:62.6) | 1    |         |
| 5       | 09800-21055 | TOOL ASSY              | 1    |         |
| 6       | 09816-00059 | HEXAGON SPANNER, 5     | 1    |         |
| 7       | 09816-00149 | BOX, SPANNER           | 1    |         |
| 8       | 09817-00035 | RING SPANNER, 22       | 1    |         |
| 9       | 09817-00039 | RING, SPANNER 24       | 1    |         |



FIG.407A

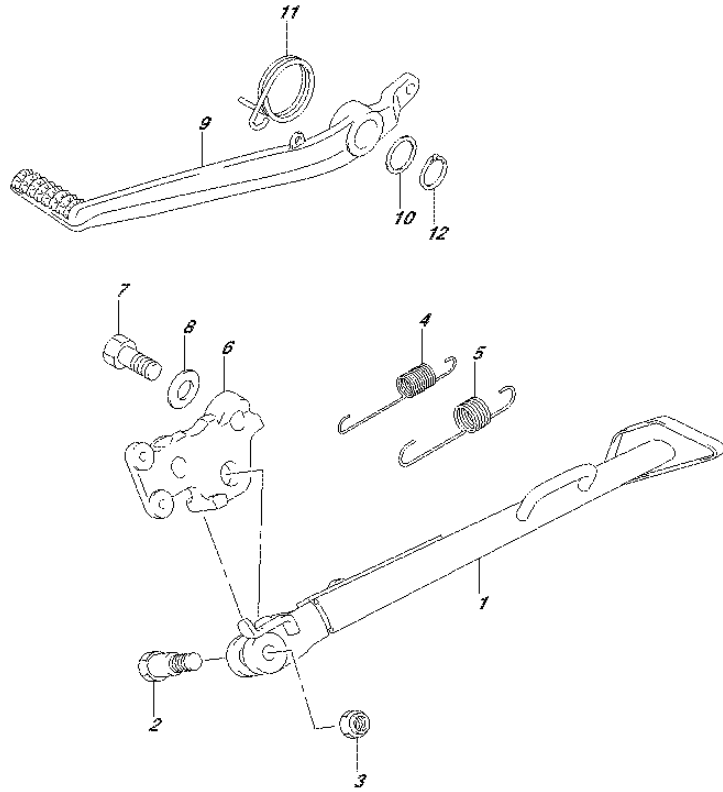


FIG.407A (1-D-15) STAND

| REF NO. | PART NO.    | DESCRIPTION          | Q'TY | REMARKS |
|---------|-------------|----------------------|------|---------|
| 1       | 42310-06G60 | STAND, PROP          | 1    |         |
| 2       | 09111-10058 | BOLT (10X37.5)       | 1    |         |
| 3       | 42321-03FK0 | NUT                  | 1    |         |
| 4       | 09443-14058 | SPRING               | 1    | INNER   |
| 5       | 09443-19011 | SPRING               | 1    | OUTER   |
| 6       | 42330-06G60 | BRACKET, PROP STAND  | 1    |         |
| 7       | 09100-12084 | BOLT (12X30)         | 2    |         |
| 8       | 09160-12061 | WASHER (12.5X24X2.6) | 2    |         |
| 9       | 43111-27G00 | PEDAL, BRAKE         | 1    |         |
| 10      | 09160-18022 | WASHER (18X24X1)     | 1    |         |
| 11      | 09448-41005 | SPRING               | 1    |         |
| 12      | 08331-3118A | CIRCLIP              | 1    |         |



FIG.412A

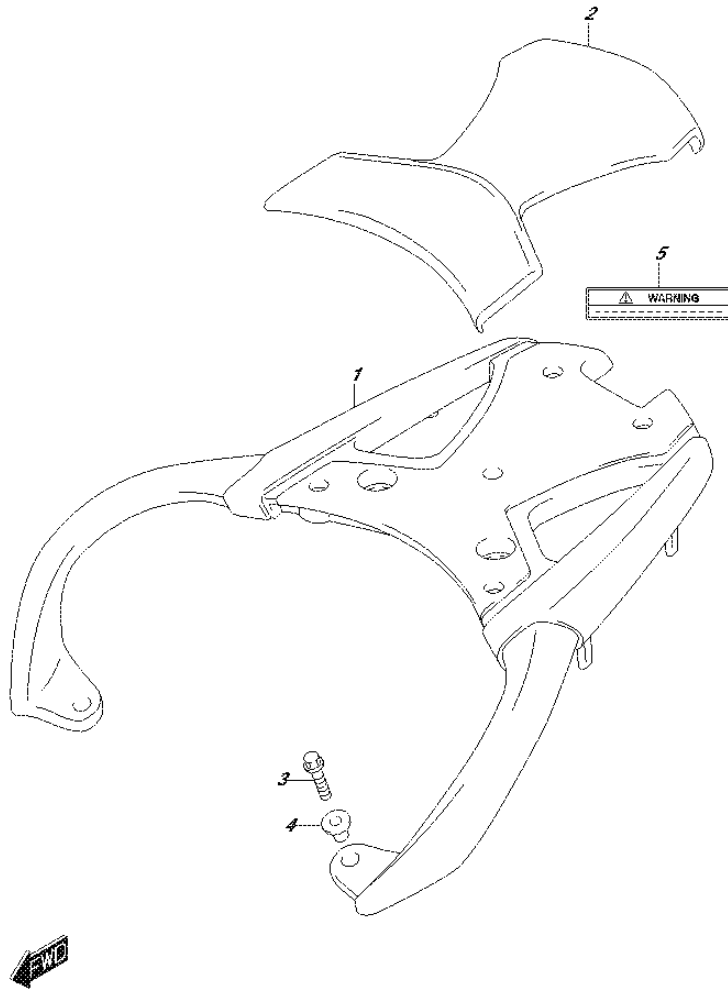


FIG.412A (1-E-2) CARRIER

| REF NO. | PART NO.        | DESCRIPTION                                 | Q'TY | REMARKS |
|---------|-----------------|---|------|---------|
| 1       | 46311-11J00-YKV | CARRIER, SPORT (BLACK)                      | 1    |         |
| 2       | 46321-11J00     | MAT, CARRIER                                | 1    |         |
| 3       | 09103-08512     | BOLT (8X35)                                 | 4    |         |
| 4       | 09169-08049     | WASHER                                      | 4    |         |
| 5-1     | 68391-06G80     | LABEL, WARNING LUGGAGE CARRIER<br>(ENGLISH) | 1    |         |
| 5-2     | 68391-06G50     | LABEL, WARNING LUGGAGE CARRIER<br>(SPANISH) | 1    |         |
| 5-3     | 68391-06G60     | LABEL, WARNING LUGGAGE CARRIER<br>(KOREAN)  | 1    |         |

FIG.415A

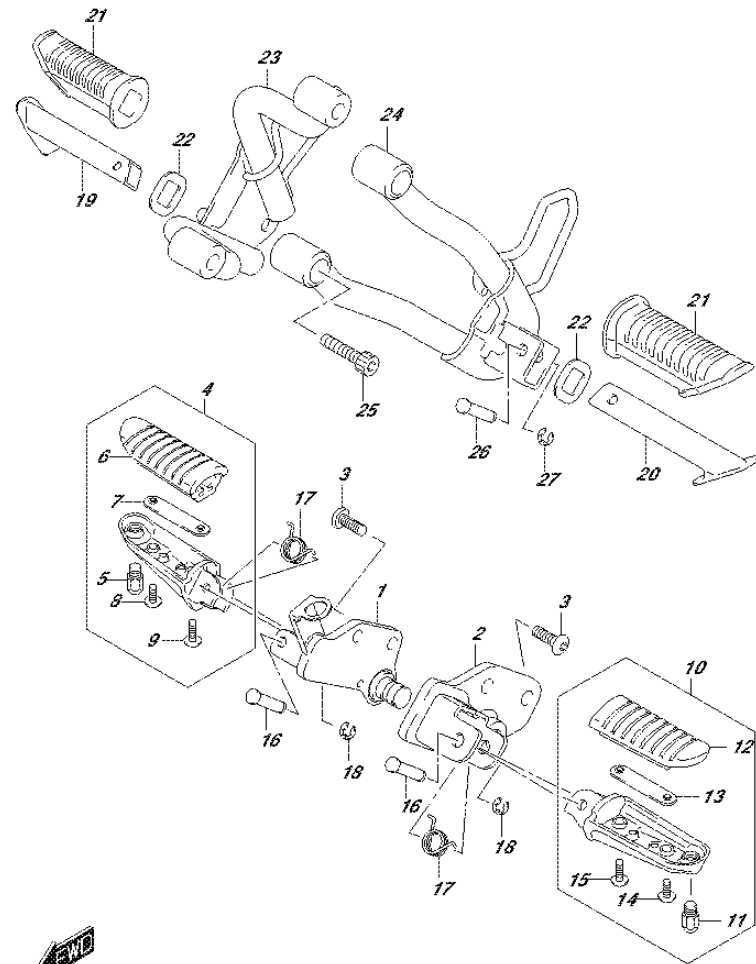


FIG.415A (1-E-3) FOOTREST

| REF NO. | PART NO.        | DESCRIPTION                 | Q'TY | REMARKS |
|---------|-----------------|-----------------------------|------|---------|
| 1       | 43510-11J00-YAP | BRACKET, FRONT RH (BLACK)   | 1    |         |
| 2       | 43520-11J00-YAP | BRACKET, FRONT LH (BLACK)   | 1    |         |
| 3       | 09106-08150     | BOLT (8X23)                 | 4    |         |
| 4       | 43501-06G01     | FOOTREST ASSY, FRONT RH     | 1    |         |
| 5       | 43576-07D01     | .SENSOR, FOOTREST           | 1    |         |
| 6       | 43551-06G00     | .RUBBER                     | 1    |         |
| 7       | 43552-06G00     | .PLATE                      | 1    |         |
| 8       | 02142-0516B     | .SCREW                      | 1    | OUTER   |
| 9       | 02142-0520B     | .SCREW                      | 1    | INNER   |
| 10      | 43502-06G01     | FOOTREST ASSY, FRONT LH     | 1    |         |
| 11      | 43576-07D01     | .SENSOR, FOOTREST           | 1    |         |
| 12      | 43551-06G00     | .RUBBER                     | 1    |         |
| 13      | 43552-06G00     | .PLATE                      | 1    |         |
| 14      | 02142-0516B     | .SCREW                      | 1    | OUTER   |
| 15      | 02142-0520B     | .SCREW                      | 1    | INNER   |
| 16      | 09208-08010     | PIN (8X33.2)                | 2    |         |
| 17      | 09448-18022     | SPRING                      | 2    |         |
| 18      | 08332-1106B     | E RING                      | 2    |         |
| 19      | 43610-34A00     | BAR, PILLION FOOTREST RH    | 1    |         |
| 20      | 43710-34A00     | BAR, PILLION FOOTREST LH    | 1    |         |
| 21      | 43612-33G01     | RUBBER, PILLION FOOTREST    | 2    |         |
| 22      | 43631-34A01     | WASHER, FOOTREST RUBBER     | 2    |         |
| 23      | 43810-27G10-YAP | BRACKET, PILLION RH (BLACK) | 1    |         |
| 24      | 43820-27G01-YAP | BRACKET, PILLION LH (BLACK) | 1    |         |
| 25      | 09106-08074     | BOLT (8X40)                 | 4    |         |
| 26      | 09208-06008     | PIN (6X29.5)                | 2    |         |
| 27      | 08332-1104A     | E RING                      | 2    |         |

FIG. 420A

FIG.420A (1-E-4) FUEL TANK

| REF NO. | PART NO.        | DESCRIPTION                   | Q'TY | REMARKS |
|---------|-----------------|-------------------------------|------|---------|
| 1       | 44100-11J00-YKV | TANK, FUEL (BLACK)            | 1    |         |
| 2       | 44200-16850     | CAP SET, FUEL TANK            | 1    |         |
| 3       | 44244-11J00     | BOLT, FUEL TANK FILLER CAP    | 3    |         |
| 4       | 44541-11J00     | CUSHION, SIDE                 | 2    |         |
| 5       | 44550-06G10     | BRACKET, REAR LOWER           | 1    |         |
| 6       | 01550-0816A     | BOLT                          | 2    |         |
| 7       | 44545-06G00     | CUSHION, LOWER                | 1    |         |
| 8       | 44542-06G00     | CUSHION, UPPER                | 1    |         |
| 9       | 44530-06G00     | BRACKET, UPPER                | 1    |         |
| 10      | 01550-0835A     | BOLT                          | 1    |         |
| 11      | 44572-44G00     | FASTENER                      | 2    |         |
| 12      | 44194-11J00     | SHIELD, TANK CENTER           | 1    |         |
| 13      | 44154-11J00     | BRACKET, FRONT COVER          | 1    |         |
| 14      | 09139-06192     | SCREW (6X25)                  | 2    |         |
| 15      | 44511-16G00     | CUSHION, FUEL TANK FRONT      | 2    |         |
| 16      | 44512-16G00     | WASHER, FUEL TANK FRONT       | 2    |         |
| 17      | 44520-11J00     | BRACKET, FUEL TANK FRONT      | 1    |         |
| 18      | 01550-0620B     | BOLT                          | 3    |         |
| 19      | 44560-11J00     | BRACKET, FRONT SIDE           | 2    |         |
| 20      | 44542-11J00     | CUSHION, FRONT SIDE BRACKET   | 2    |         |
| 21      | 01550-0612A     | BOLT                          | 2    |         |
| 22      | 68241-11J01     | MOLDING, FUEL TANK            | 2    |         |
| 23      | 44179-11J00     | BRACKET, FUEL TANK COVER RH   | 1    |         |
| 24      | 44189-11J00     | BRACKET, FUEL TANK COVER LH   | 1    |         |
| 25      | 44572-13G00     | FASTENER, FUEL TANK           | 2    |         |
| 26      | 44183-23H00     | CUSHION, FUEL TANK SIDE COVER | 2    |         |
| 27      | 09329-18001     | CUSHION                       | 2    |         |
| 28      | 07120-0612A     | BOLT                          | 2    |         |
| 29      | 44423-11J20     | HOSE, FUEL TANK DRAIN NO.1    | 1    |         |
| 30      | 44423-11J30     | HOSE, FUEL TANK DRAIN NO.2    | 1    |         |
| 31      | 09367-08005     | 3 WAY                         | 1    |         |
| 32      | 44424-14J00     | HOSE, FUEL TANK BREATHER NO.1 | 1    |         |

FIG. 420A

FIG.420A (1-E-5) FUEL TANK

| REF NO. | PART NO.        | DESCRIPTION       | Q'TY | REMARKS     |
|---------|-----------------|-------------------|------|-------------|
| 33      | 09352-50823-00B | HOSE (5X8.2X2000) | 1    | L:2000->690 |
| 34      | 09352-50823-600 | HOSE (5X8.2X600)  | 1    | L:600->160  |
| 35      | 09352-12163-600 | HOSE (12X16X600)  | 1    | L:600->10   |
| 36      | 09367-06007     | 3 WAY             | 1    |             |
| 37      | 09404-06433     | CLAMP (L:80)      | 1    |             |

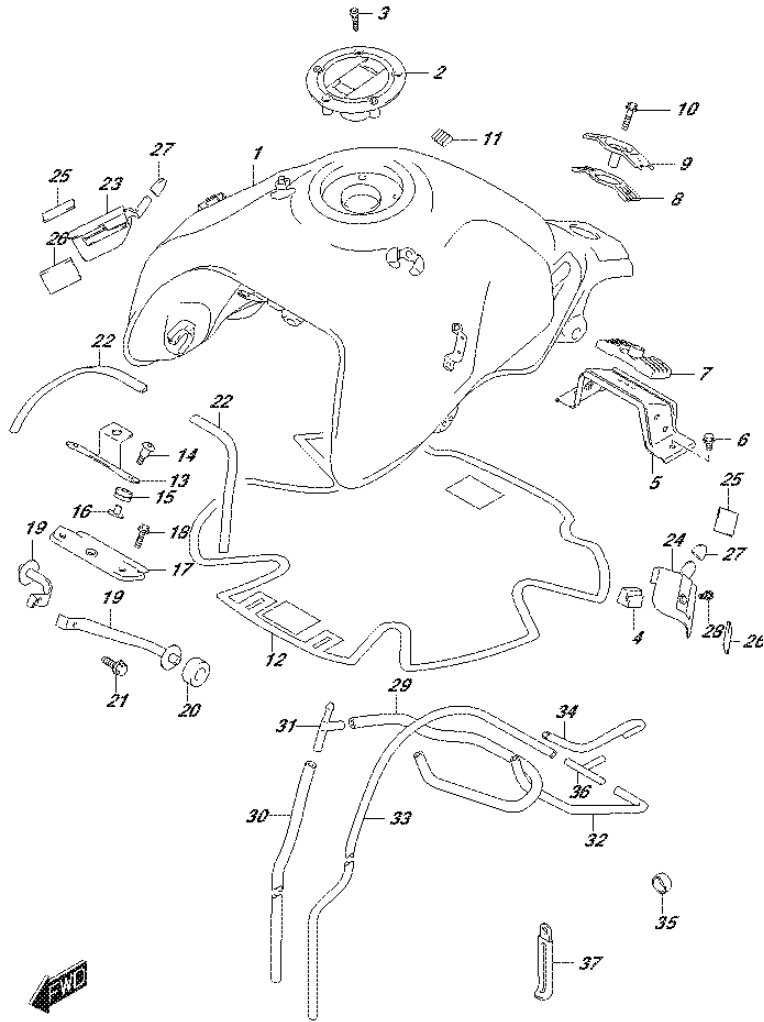


FIG.423A

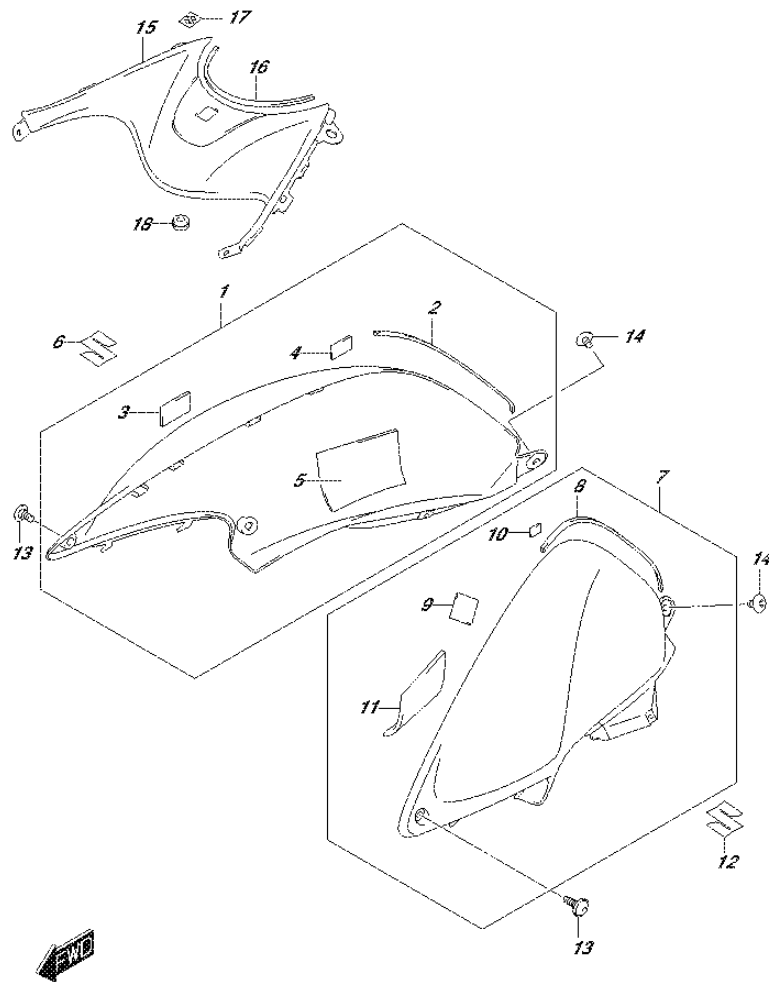


FIG.423A (1-E-6) FUEL TANK COVER

| REF NO. | PART NO.        | DESCRIPTION                    | Q'TY | REMARKS |
|---------|-----------------|--------------------------------|------|---------|
| 1-1     | 44170-11J00-YYG | COVER, SIDE RH (RED)           | 1    |         |
| 1-2     | 44170-11J00-PGZ | COVER, SIDE RH (GRAY)          | 1    |         |
| 1-3     | 44170-11J00-YVB | COVER, SIDE RH (BLACK)         | 1    |         |
| 1-4     | 44170-11J00-YMD | COVER, SIDE RH (SILVER)        | 1    |         |
| 2       | 44277-37H00     | .CUSHION, SIDE COVER           | 1    |         |
| 3       | 44572-13G00     | .FASTENER, FUEL TANK           | 1    |         |
| 4       | 44572-44G00     | .FASTENER                      | 1    |         |
| 5       | 44278-11J00     | .CUSHION                       | 1    |         |
| 6       | 68111-47HA0     | EMBLEM, "S"                    | 1    |         |
| 7-1     | 44180-11J00-YYG | COVER, SIDE LH (RED)           | 1    |         |
| 7-2     | 44180-11J00-PGZ | COVER, SIDE LH (GRAY)          | 1    |         |
| 7-3     | 44180-11J00-YVB | COVER, SIDE LH (BLACK)         | 1    |         |
| 7-4     | 44180-11J00-YMD | COVER, SIDE LH (SILVER)        | 1    |         |
| 8       | 44277-37H00     | .CUSHION, SIDE COVER           | 1    |         |
| 9       | 44572-13G00     | .FASTENER, FUEL TANK           | 1    |         |
| 10      | 44572-44G00     | .FASTENER                      | 1    |         |
| 11      | 44278-11J00     | .CUSHION                       | 1    |         |
| 12      | 68111-47HA0     | EMBLEM, "S"                    | 1    |         |
| 13      | 09139-05064     | SCREW (5X13)                   | 4    |         |
| 14      | 44193-11J00     | SCREW, FUEL TANK COVER         | 2    |         |
| 15      | 44191-11J00     | COVER, FUEL TANK FRONT         | 1    |         |
| 16      | 44192-11J00     | CUSHION, FUEL TANK FRONT COVER | 1    |         |
| 17      | 68281-47HA0     | EMBLEM, "S"                    | 1    |         |
| 18      | 09320-06504     | CUSHION                        | 1    |         |

FIG.445A

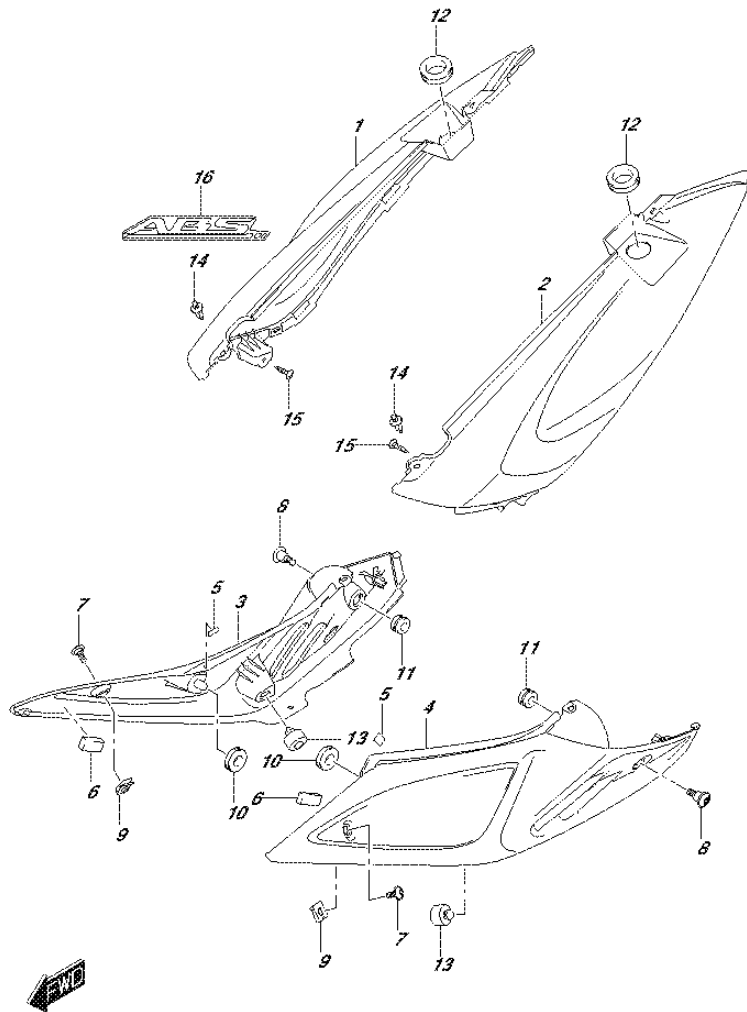


FIG.445A (1-E-7) FRAME COVER

| REF NO. | PART NO.        | DESCRIPTION              | Q'TY | REMARKS         |
|---------|-----------------|--------------------------|------|-----------------|
| 1-1     | 47111-11J02-YYG | COVER, FRAME RH (RED)    | 1    |                 |
| 1-2     | 47111-11J02-PGZ | COVER, FRAME RH (GRAY)   | 1    |                 |
| 1-3     | 47111-11J02-YVB | COVER, FRAME RH (BLACK)  | 1    |                 |
| 1-4     | 47111-11J02-YMD | COVER, FRAME RH (SILVER) | 1    |                 |
| 2-1     | 47211-11J02-YYG | COVER, FRAME LH (RED)    | 1    |                 |
| 2-2     | 47211-11J02-PGZ | COVER, FRAME LH (GRAY)   | 1    |                 |
| 2-3     | 47211-11J02-YVB | COVER, FRAME LH (BLACK)  | 1    |                 |
| 2-4     | 47211-11J02-YMD | COVER, FRAME LH (SILVER) | 1    |                 |
| 3       | 47411-11J00     | COVER, FRAME SIDE RH     | 1    |                 |
| 4       | 47511-11J00     | COVER, FRAME SIDE LH     | 1    |                 |
| 5       | 63115-37H00     | CUSHION, FRAME COVER     | 2    |                 |
| 6       | 94423-10G00     | CUSHION, FRAME COVER     | 2    |                 |
| 7       | 09139-05074     | BOLT (5X13)              | 2    |                 |
| 8       | 09139-06179     | BOLT (6X20)              | 2    |                 |
| 9       | 09148-05052     | NUT                      | 2    |                 |
| 10      | 09320-08028     | CUSHION                  | 2    |                 |
| 11      | 09320-09016     | CUSHION                  | 2    |                 |
| 12      | 09320-20010     | CUSHION                  | 2    |                 |
| 13      | 09321-10001     | CUSHION                  | 2    |                 |
| 14      | 09409-06314-5PK | CLIP (BLACK)             | 4    |                 |
| 15      | 03541-0416A     | SCREW                    | 2    |                 |
| 16-1    | 68151-44G00-1ZY | EMBLEM, "ABS"            | 1    | FOR YYG,YVB,YMD |
| 16-2    | 68151-44G10-A79 | EMBLEM, "ABS"            | 1    | FOR PGZ         |



FIG.460A

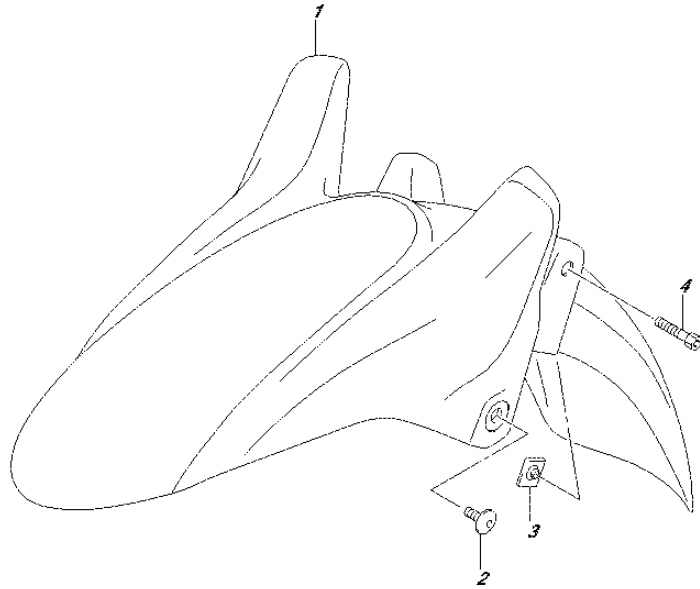


FIG.460A (1-E-8) FRONT FENDER

| REF NO. | PART NO.        | DESCRIPTION           | Q'TY | REMARKS |
|---------|-----------------|-----------------------|------|---------|
| 1       | 53111-11J01-291 | FENDER, FRONT (BLACK) | 1    |         |
| 2       | 09139-06158     | SCREW (6X16)          | 2    |         |
| 3       | 53122-06G00     | NUT                   | 2    |         |
| 4       | 09106-06122     | BOLT (6X30)           | 2    |         |

FIG.462A

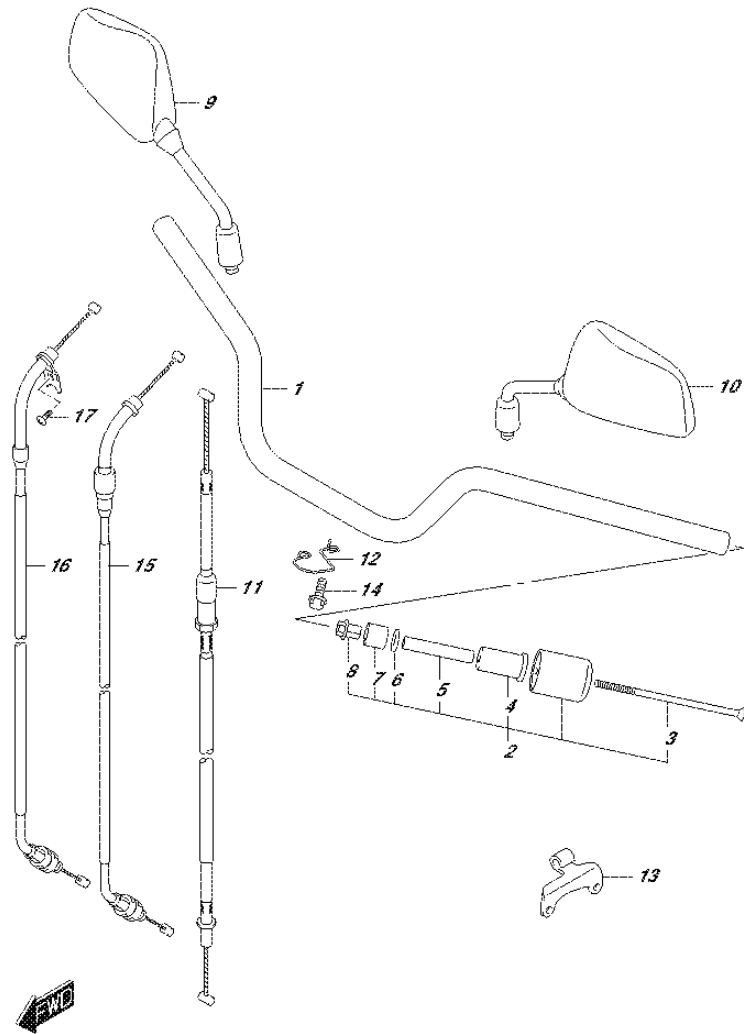


FIG.462A (1-E-9) HANDLEBAR

| REF NO. | PART NO.        | DESCRIPTION               | Q'TY | REMARKS |
|---------|-----------------|---------------------------|------|---------|
| 1       | 56111-11J02-YUS | HANDLEBAR (SILVER)        | 1    |         |
| 2       | 56200-16842     | BALANCER SET, HANDLEBAR   | 2    |         |
| 3       | 09127-06018     | .SCREW (6X110)            | 2    |         |
| 4       | 56272-06G00     | .EXPANDER, OUTER          | 2    |         |
| 5       | 56276-17D00     | .SPACER                   | 2    |         |
| 6       | 09160-06131     | .WASHER (6.5X16X4)        | 2    |         |
| 7       | 56272-10G00     | .EXPANDER, INNER          | 2    |         |
| 8       | 56273-10G10     | .NUT                      | 2    |         |
| 9       | 56500-04F30     | MIRROR ASSY, REAR VIEW RH | 1    |         |
| 10      | 56600-04F30     | MIRROR ASSY, REAR VIEW LH | 1    |         |
| 11      | 58200-11J00     | CABLE ASSY, CLUTCH        | 1    |         |
| 12      | 58631-11J10     | GUIDE, CLUTCH CABLE       | 1    |         |
| 13      | 58634-44H00     | STOPPER, CLUTCH CABLE     | 1    |         |
| 14      | 01547-0612A     | BOLT                      | 1    |         |
| 15      | 58300-11J00     | CABLE ASSY, THROTTLE NO.1 | 1    |         |
| 16      | 58300-11J10     | CABLE ASSY, THROTTLE NO.2 | 1    |         |
| 17      | 09125-05042     | SCREW (5X10)              | 1    |         |

FIG.467A

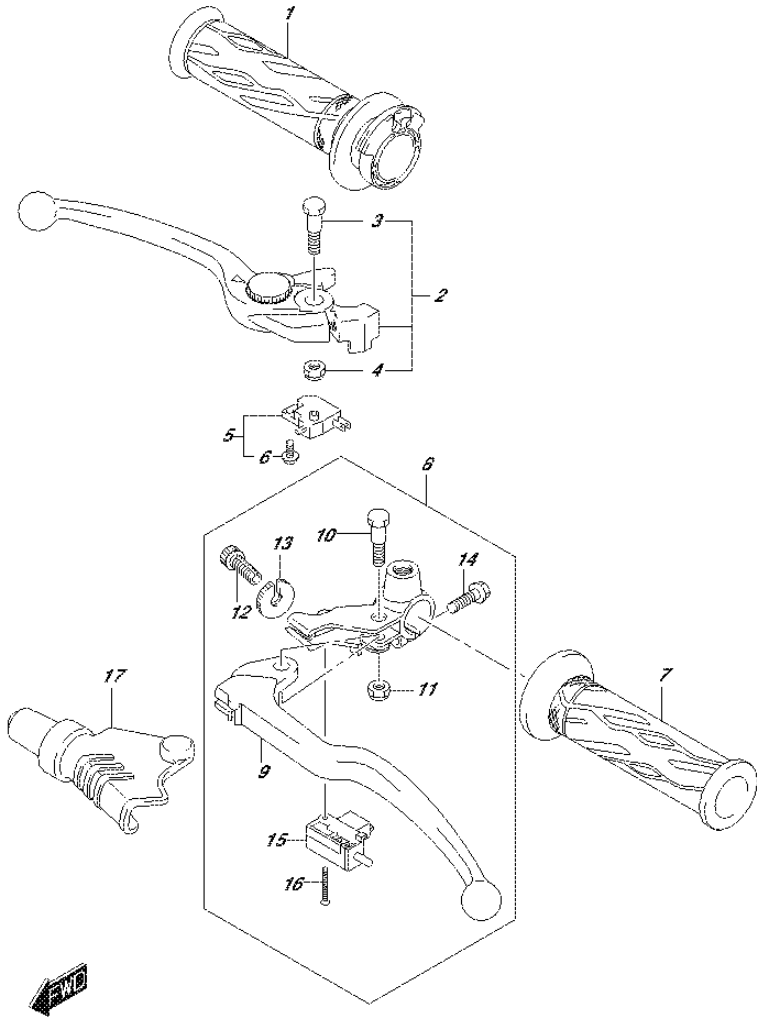


FIG.467A (1-E-10) HANDLE LEVER

| REF NO. | PART NO.    | DESCRIPTION              | Q'TY | REMARKS |
|---------|-------------|--------------------------|------|---------|
| 1       | 57110-21H02 | GRIP, THROTTLE           | 1    |         |
| 2       | 57300-44G12 | LEVER ASSY, BRAKE        | 1    |         |
| 3       | 57431-17H02 | .BOLT, PIVOT             | 1    |         |
| 4       | 08319-2106A | .NUT                     | 1    |         |
| 5       | 57460-14J01 | SWITCH ASSY, FRONT BRAKE | 1    |         |
| 6       | 57465-17C00 | .SCREW                   | 1    |         |
| 7       | 57211-21H01 | GRIP, LH                 | 1    |         |
| 8       | 57500-25D01 | LEVER ASSY, CLUTCH       | 1    |         |
| 9       | 57621-40F00 | .LEVER ASSY, CLUTCH      | 1    |         |
| 10      | 57431-45C01 | .BOLT, PIVOT             | 1    |         |
| 11      | 08319-2106A | .NUT                     | 1    |         |
| 12      | 57441-45C00 | .ADJUSTER WIRE           | 1    |         |
| 13      | 57442-45C00 | .NUT, LOCK               | 1    |         |
| 14      | 01547-0620B | .BOLT                    | 1    |         |
| 15      | 57560-05A00 | .SWITCH, CLUTCH          | 1    |         |
| 16      | 57562-41G01 | .SCREW                   | 1    |         |
| 17      | 57661-33E00 | COVER, CLUTCH LEVER      | 1    |         |

FIG.474A

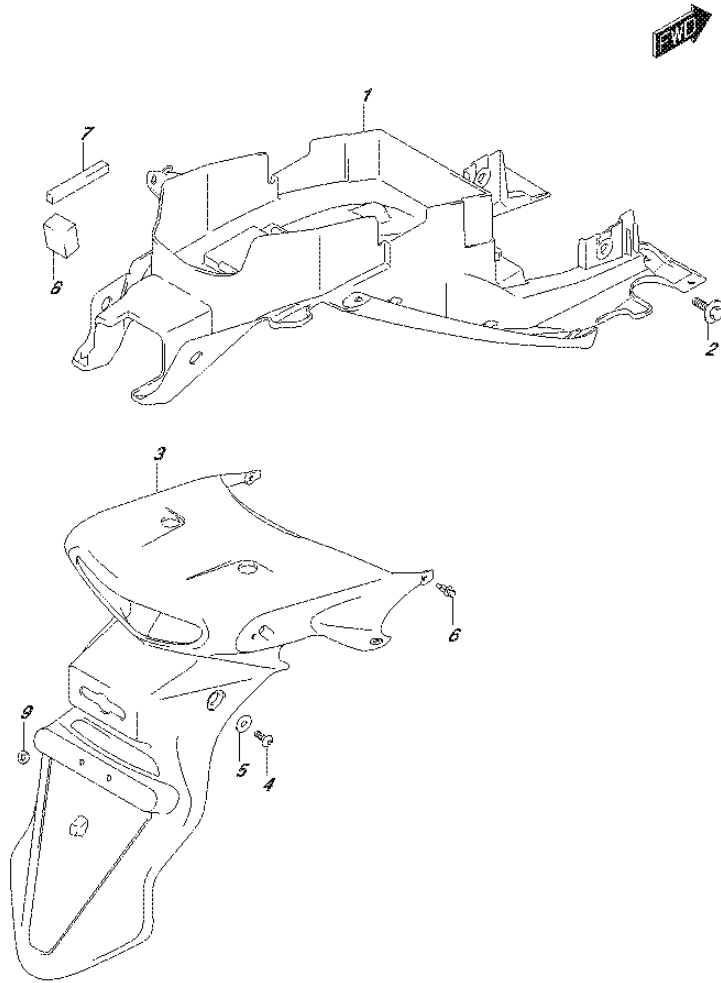
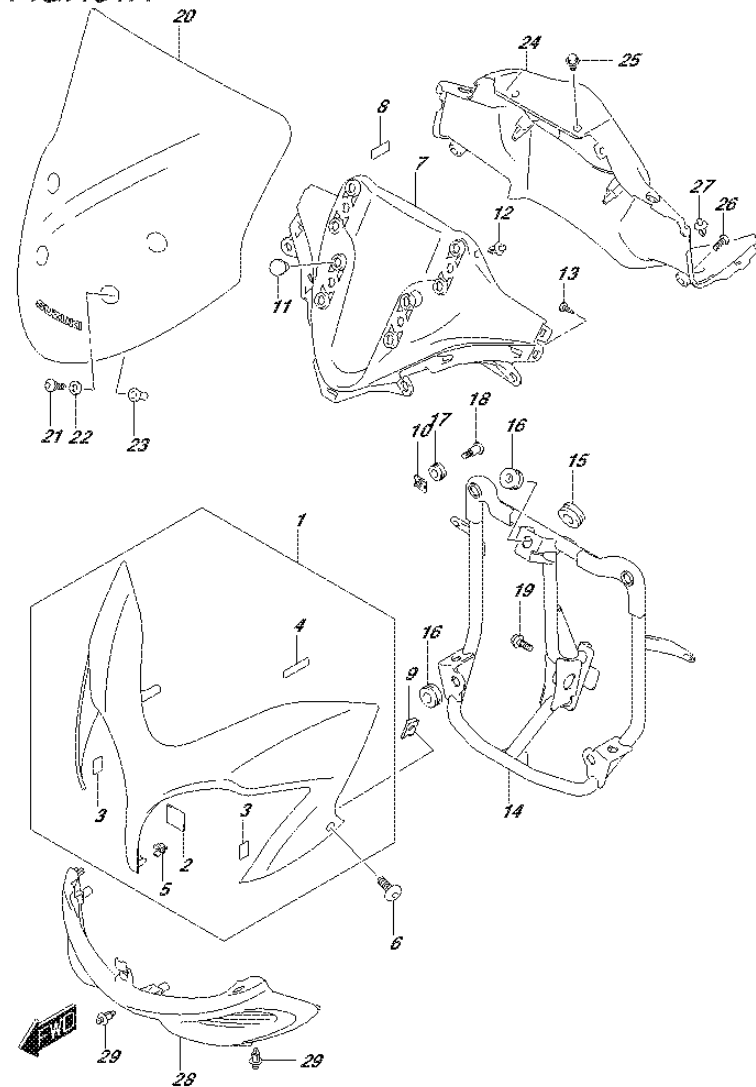


FIG.474A (1-E-11) REAR FENDER

| REF NO. | PART NO.        | DESCRIPTION                | Q'TY | REMARKS |
|---------|-----------------|----------------------------|------|---------|
| 1       | 63111-11J11     | FENDER, REAR FRONT         | 1    |         |
| 2       | 09116-06181     | BOLT (6X13)                | 2    |         |
| 3       | 63112-11J00-291 | FENDER, REAR (BLACK)       | 1    |         |
| 4       | 09139-06140     | SCREW (6X16)               | 2    |         |
| 5       | 09160-06156     | WASHER (6.5X18X1.6)        | 2    |         |
| 6       | 09409-06314-5PK | CLIP (BLACK)               | 4    |         |
| 7       | 45518-16G00     | CUSHION, REAR FENDER FRONT | 1    |         |
| 8       | 63121-11J00     | CUSHION, REAR FENDER REAR  | 1    |         |
| 9       | 08322-0106B     | WASHER                     | 2    |         |

FIG.481A



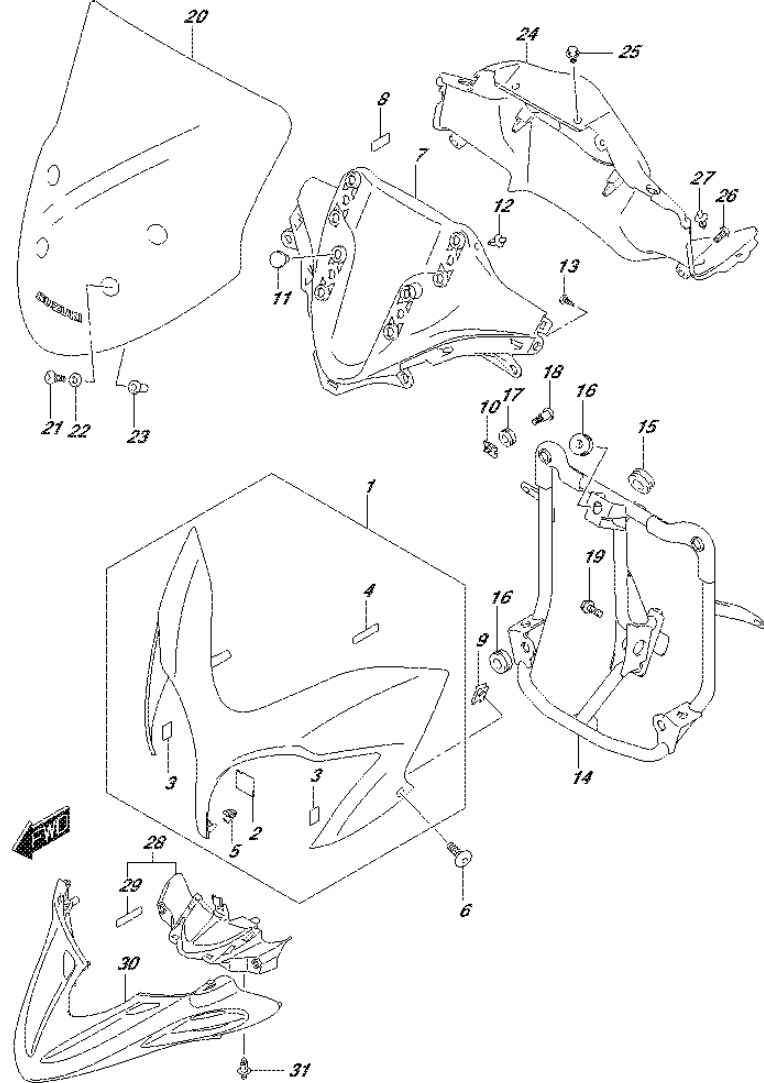
DL650AL6\_E99\_481A  
COWLING BODY

FIG.481A (1-E-12) COWLING BODY (DL650AL6 E99)

| REF NO. | PART NO.        | DESCRIPTION            | Q'TY | REMARKS |
|---------|-----------------|------------------------|------|---------|
| 1-1     | 94410-11J00-YYG | BODY, COWLING (RED)    | 1    |         |
| 1-2     | 94410-11J00-PGZ | BODY, COWLING (GRAY)   | 1    |         |
| 1-3     | 94410-11J00-YVB | BODY, COWLING (BLACK)  | 1    |         |
| 1-4     | 94410-11J00-YMD | BODY, COWLING (SILVER) | 1    |         |
| 2       | 44572-02F01     | .FASTENER              | 1    |         |
| 3       | 44572-37H00     | .FASTENER, COWLING     | 2    |         |
| 4       | 94443-06G00     | .TAPE, FRONT PANEL     | 4    |         |
| 5       | 09409-08326     | .CLIP                  | 1    |         |
| 6       | 09139-05064     | SCREW (5X13)           | 2    |         |
| 7       | 94414-11J00     | PANEL, FRONT           | 1    |         |
| 8       | 94612-31F00     | CUSHION, FRONT PANEL   | 2    |         |
| 9       | 09148-05052     | NUT                    | 2    |         |
| 10      | 09148-06020     | NUT                    | 2    |         |
| 11      | 09250-10010     | CAP (OD:15)            | 8    |         |
| 12      | 09409-06329     | CLIP                   | 2    |         |
| 13      | 03241-0512A     | SCREW                  | 2    |         |
| 14      | 94510-11J01     | BRACE, COWLING         | 1    |         |
| 15      | 34955-13E00     | CUSHION, BRACE COWLING | 1    |         |
| 16      | 09320-08028     | CUSHION                | 3    |         |
| 17      | 09320-09016     | CUSHION                | 2    |         |
| 18      | 09139-06126     | SCREW (6X20)           | 2    |         |
| 19      | 01550-0820A     | BOLT                   | 2    |         |
| 20      | 94611-11J00     | WINDSCREEN             | 1    |         |
| 21      | 09139-05032     | SCREW (5X18)           | 4    |         |
| 22      | 09160-05048     | WASHER (5.5X14X1.2)    | 4    |         |
| 23      | 09159-05019     | NUT                    | 4    |         |
| 24      | 94631-11J00     | PANEL, METER           | 1    |         |
| 25      | 09139-05074     | BOLT (5X13)            | 4    |         |
| 26      | 09139-06120     | SCREW (6X16)           | 2    |         |
| 27      | 09409-06329     | CLIP                   | 2    |         |
| 28      | 94461-11J00     | COVER, COWLING INNER   | 1    |         |
| 29      | 09409-06329     | CLIP                   | 2    |         |

DL650AL6\_E99

FIG.481B



DL650AL6\_E99\_481B  
COWLING BODY

FIG.481B (1-E-13) COWLING BODY (DL650XAL6 E99)

| REF NO. | PART NO.        | DESCRIPTION                   | Q'TY | REMARKS |
|---------|-----------------|-------------------------------|------|---------|
| 1-1     | 94410-11J00-YYG | BODY, COWLING (RED)           | 1    |         |
| 1-2     | 94410-11J00-PGZ | BODY, COWLING (GRAY)          | 1    |         |
| 1-3     | 94410-11J00-YVB | BODY, COWLING (BLACK)         | 1    |         |
| 1-4     | 94410-11J00-YMD | BODY, COWLING (SILVER)        | 1    |         |
| 2       | 44572-02F01     | .FASTENER                     | 1    |         |
| 3       | 44572-37H00     | .FASTENER, COWLING            | 2    |         |
| 4       | 94443-06G00     | .TAPE, FRONT PANEL            | 4    |         |
| 5       | 09409-08326     | .CLIP                         | 1    |         |
| 6       | 09139-05064     | SCREW (5X13)                  | 2    |         |
| 7       | 94414-11J00     | PANEL, FRONT                  | 1    |         |
| 8       | 94612-31F00     | CUSHION, FRONT PANEL          | 2    |         |
| 9       | 09148-05052     | NUT                           | 2    |         |
| 10      | 09148-06020     | NUT                           | 2    |         |
| 11      | 09250-10010     | CAP (OD:15)                   | 8    |         |
| 12      | 09409-06329     | CLIP                          | 2    |         |
| 13      | 03241-0512A     | SCREW                         | 2    |         |
| 14      | 94510-11J01     | BRACE, COWLING                | 1    |         |
| 15      | 34955-13E00     | CUSHION, BRACE COWLING        | 1    |         |
| 16      | 09320-08028     | CUSHION                       | 3    |         |
| 17      | 09320-09016     | CUSHION                       | 2    |         |
| 18      | 09139-06126     | SCREW (6X20)                  | 2    |         |
| 19      | 01550-0820A     | BOLT                          | 2    |         |
| 20      | 94611-11J00     | WINDSCREEN                    | 1    |         |
| 21      | 09139-05032     | SCREW (5X18)                  | 4    |         |
| 22      | 09160-05048     | WASHER (5.5X14X1.2)           | 4    |         |
| 23      | 09159-05019     | NUT                           | 4    |         |
| 24      | 94631-11J00     | PANEL, METER                  | 1    |         |
| 25      | 09139-05074     | BOLT (5X13)                   | 4    |         |
| 26      | 09139-06120     | SCREW (6X16)                  | 2    |         |
| 27      | 09409-06329     | CLIP                          | 2    |         |
| 28      | 94460-11J00-YMC | COVER, COWLING UPPER (SILVER) | 1    |         |
| 29      | 94443-06G00     | .TAPE, UPPER COWLING          | 1    |         |
| 30      | 94465-11J00     | COVER, COWLING LOWER          | 1    |         |
| 31      | 09409-06329     | CLIP                          | 2    |         |

DL650AL6\_E99

FIG.485A

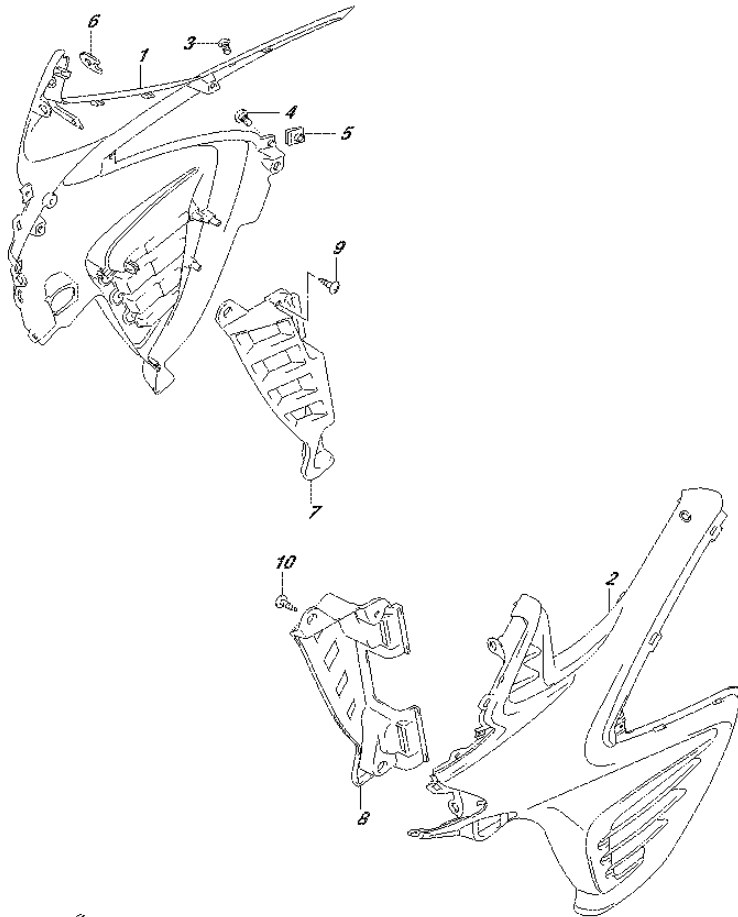


FIG.485A (1-E-14) SIDE COWLING

| REF NO. | PART NO.    | DESCRIPTION      | Q'TY | REMARKS |
|---------|-------------|------------------|------|---------|
| 1       | 94421-11J00 | COWLING, SIDE RH | 1    |         |
| 2       | 94431-11J00 | COWLING, SIDE LH | 1    |         |
| 3       | 09139-06051 | SCREW (6X10)     | 2    |         |
| 4       | 09139-06144 | SCREW (6X12)     | 2    |         |
| 5       | 09148-05052 | NUT              | 6    |         |
| 6       | 09148-06020 | NUT              | 2    |         |
| 7       | 94462-11J01 | COVER, INNER RH  | 1    |         |
| 8       | 94463-11J01 | COVER, INNER LH  | 1    |         |
| 9       | 03241-0512B | SCREW            | 3    | RH      |
| 10      | 03541-0516A | SCREW            | 3    | LH      |

FIG.496A

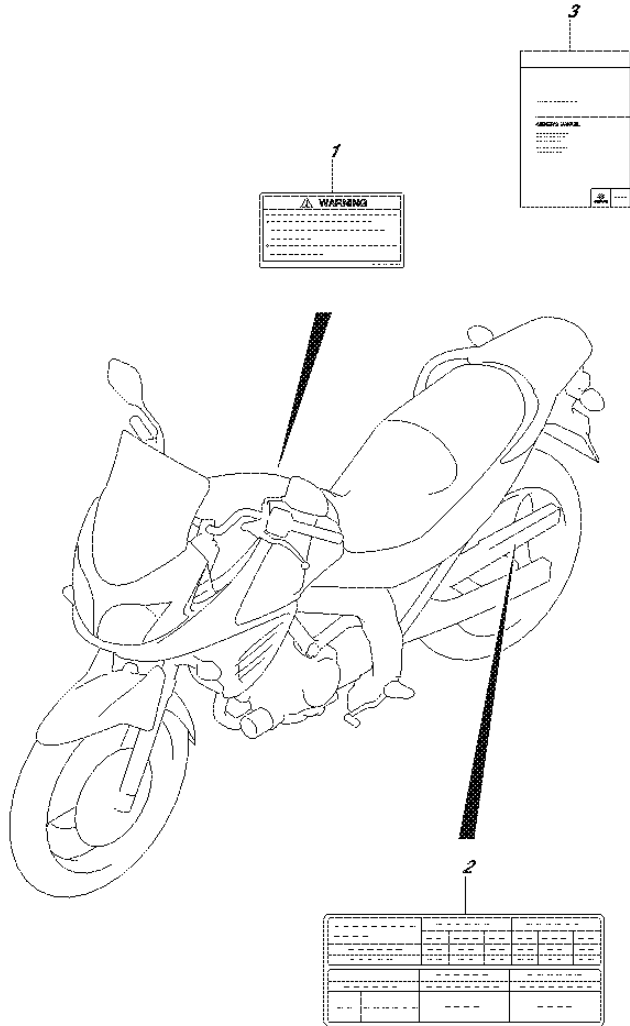


FIG.496A (1-E-15) LABEL

| REF NO. | PART NO.        | DESCRIPTION                          | Q'TY | REMARKS |
|---------|-----------------|--------------------------------------|------|---------|
| 1-1     | 68319-49J00     | LABEL, WARNING (ENGLISH)             | 1    |         |
| 1-2     | 68319-49J50     | LABEL, WARNING (SPANISH)             | 1    |         |
| 1-3     | 68319-49JG0     | LABEL, WARNING (KOREAN)              | 1    |         |
| 2-1     | 68332-11JA0     | LABEL, TIRE INFORMATION<br>(ENGLISH) | 1    |         |
| 2-2     | 68332-11J70     | LABEL, TIRE INFORMATION<br>(SPANISH) | 1    |         |
| 2-3     | 68332-11J80     | LABEL, TIRE INFORMATION<br>(KOREAN)  | 1    |         |
| 3-1     | 99011-11J64-01A | MANUAL, OWNER'S (ENGLISH)            | 1    |         |
| 3-2     | 99011-11J64-029 | MANUAL, OWNER'S (SPANISH)            | 1    |         |
| 3-3     | 99011-11J64-068 | MANUAL, OWNER'S (KOREAN)             | 1    |         |



FIG.505A

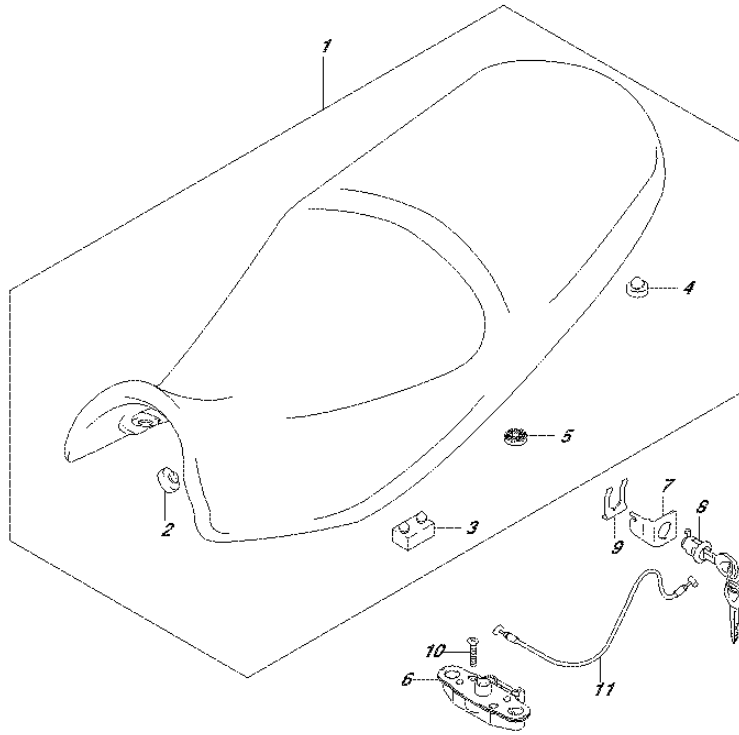


FIG.505A (1-F-2) SEAT (DL650AL6 E99)

| REF NO. | PART NO.        | DESCRIPTION                 | Q'TY | REMARKS |
|---------|-----------------|-----------------------------|------|---------|
| 1       | 45100-11J00-KCJ | SEAT ASSY (BLACK/RED)       | 1    |         |
| 2       | 45148-36C00     | .CUSHION, SEAT FRONT        | 2    |         |
| 3       | 45149-31300     | .CUSHION, SEAT              | 4    |         |
| 4       | 09321-10012     | .CUSHION                    | 2    |         |
| 5       | 45213-13601     | .CUSHION, SEAT LOCK STRIKER | 2    |         |
| 6       | 45220-47H00     | BRACKET, SEAT SUPPORT REAR  | 1    |         |
| 7       | 45288-14F00     | GUIDE, SEAT LOCK CABLE      | 1    |         |
| 8       | 95700-14810     | LOCK SET, SEAT              | 1    |         |
| 9       | 45289-11F00     | PLATE, SEAT LOCK ASSY       | 1    |         |
| 10      | 02122-0630A     | SCREW                       | 2    |         |
| 11      | 45280-11J00     | CABLE, SEAT LOCK            | 1    |         |



FIG.505B

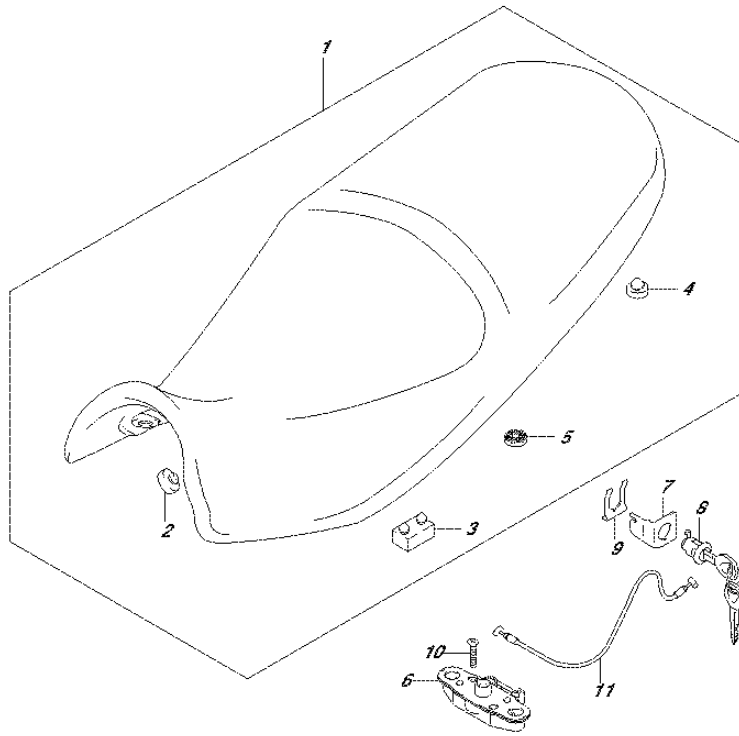


FIG.505B (1-F-3) SEAT (DL650AL6 E99)

| REF NO. | PART NO.        | DESCRIPTION                 | Q'TY | REMARKS |
|---------|-----------------|-----------------------------|------|---------|
| 1       | 45100-11J00-A28 | SEAT ASSY (BLACK/GRAY/RED)  | 1    |         |
| 2       | 45148-36C00     | .CUSHION, SEAT FRONT        | 2    |         |
| 3       | 45149-31300     | .CUSHION, SEAT              | 4    |         |
| 4       | 09321-10012     | .CUSHION                    | 2    |         |
| 5       | 45213-13601     | .CUSHION, SEAT LOCK STRIKER | 2    |         |
| 6       | 45220-47H00     | BRACKET, SEAT SUPPORT REAR  | 1    |         |
| 7       | 45288-14F00     | GUIDE, SEAT LOCK CABLE      | 1    |         |
| 8       | 95700-14810     | LOCK SET, SEAT              | 1    |         |
| 9       | 45289-11F00     | PLATE, SEAT LOCK ASSY       | 1    |         |
| 10      | 02122-0630A     | SCREW                       | 2    |         |
| 11      | 45280-11J00     | CABLE, SEAT LOCK            | 1    |         |



FIG.521A

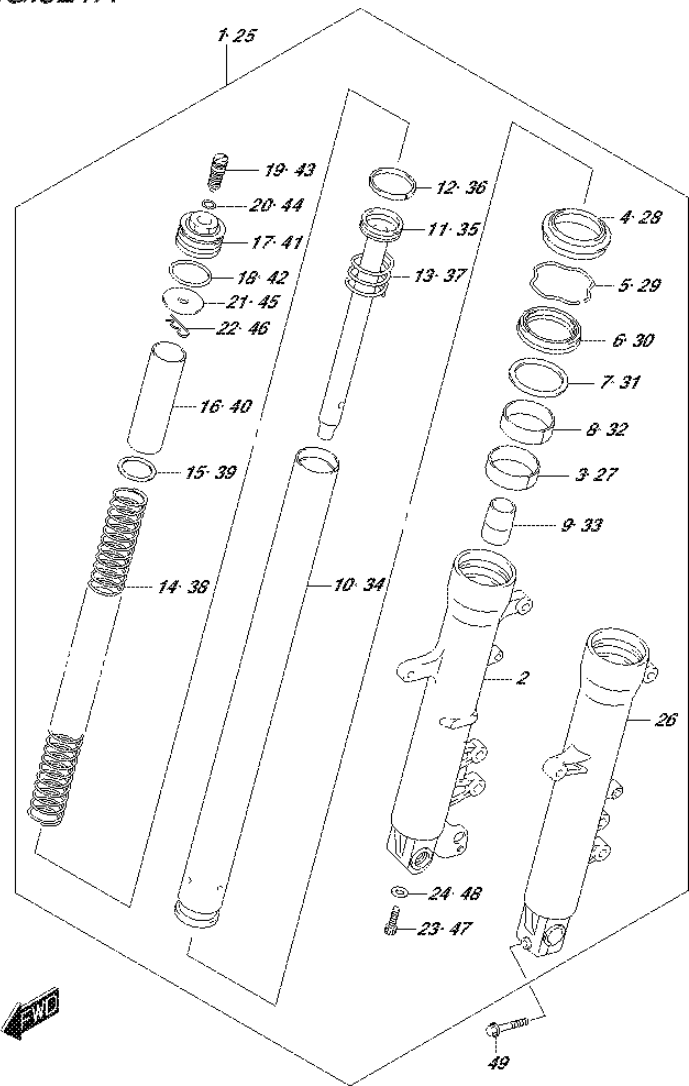


FIG.521A (1-F-4) FRONT FORK DAMPER

| REF NO. | PART NO.    | DESCRIPTION                | Q'TY | REMARKS |
|---------|-------------|----------------------------|------|---------|
| 1       | 51103-11J00 | DAMPER ASSY, FRONT FORK RH | 1    |         |
| 2       | 51131-11J00 | .TUBE, OUTER RH            | 1    |         |
| 3       | 51121-11J00 | .BUSH, SLIDE               | 1    |         |
| 4       | 51173-27G00 | .SEAL, DUST                | 1    |         |
| 5       | 51556-38B00 | .RING, STOPPER             | 1    |         |
| 6       | 51553-47H00 | .OIL SEAL                  | 1    |         |
| 7       | 51168-17C00 | .SPACER, SEAL              | 1    |         |
| 8       | 51152-47H00 | .BUSH, GUIDE               | 1    |         |
| 9       | 51195-27G00 | .PIECE, OIL LOCK           | 1    |         |
| 10      | 51110-11J00 | .PIPE, FORK                | 1    |         |
| 11      | 51146-11J00 | .PIPE SEAT                 | 1    |         |
| 12      | 51196-27G00 | .RING, PISTON              | 1    |         |
| 13      | 51177-14D00 | .SPRING, REBOUND           | 1    |         |
| 14      | 51171-11J00 | .SPRING, FRONT             | 1    |         |
| 15      | 51186-17C00 | .SEAT, SPRING, LOWER       | 1    |         |
| 16      | 51176-19C00 | .COLLAR, SPRING            | 1    |         |
| 17      | 51189-27G00 | .BOLT, FORK                | 1    |         |
| 18      | 51117-17C00 | .O RING                    | 1    |         |
| 19      | 51185-27G00 | .ADJUSTER BOLT, SPRING     | 1    |         |
| 20      | 51187-14D00 | .O RING                    | 1    |         |
| 21      | 51186-12C00 | .SEAT, SPRING              | 1    |         |
| 22      | 51188-32B00 | .PIN, SEAT SPRING          | 1    |         |
| 23      | 51147-48130 | .BOLT                      | 1    |         |
| 24      | 51148-31030 | .GASKET                    | 1    |         |

FIG.521A

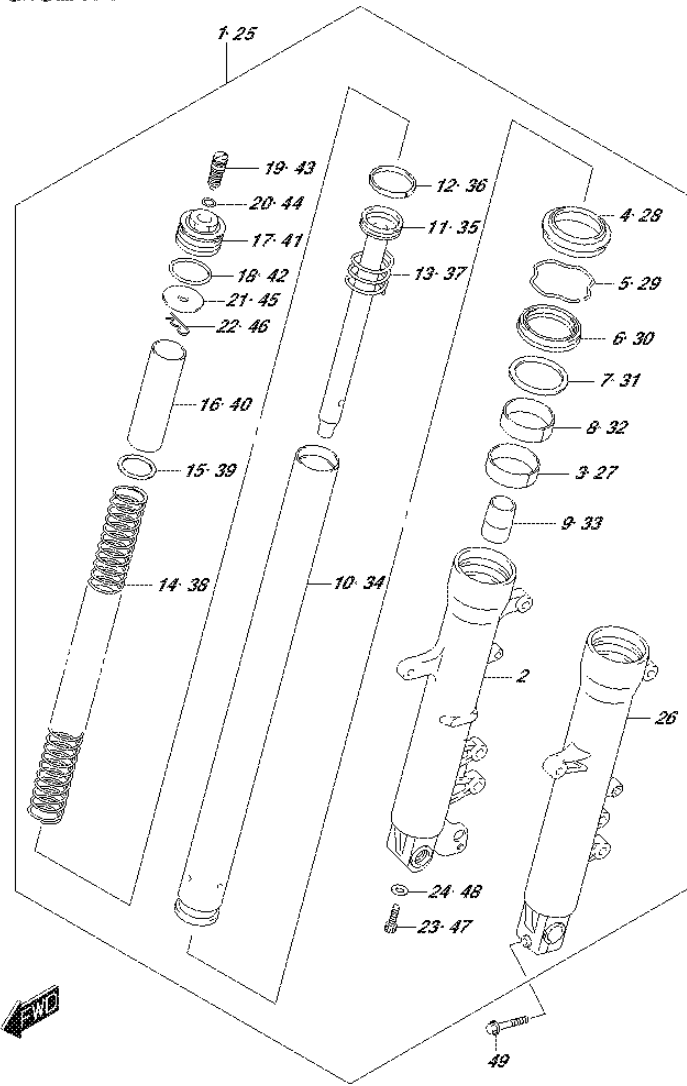


FIG.521A (1-F-5) FRONT FORK DAMPER

| REF NO. | PART NO.    | DESCRIPTION                | Q'TY | REMARKS |
|---------|-------------|----------------------------|------|---------|
| 25      | 51104-11J00 | DAMPER ASSY, FRONT FORK LH | 1    |         |
| 26      | 51141-11J00 | .TUBE, OUTER LH            | 1    |         |
| 27      | 51121-11J00 | .BUSH, SLIDE               | 1    |         |
| 28      | 51173-27G00 | .SEAL, DUST                | 1    |         |
| 29      | 51556-38B00 | .RING, STOPPER             | 1    |         |
| 30      | 51553-47H00 | .OIL SEAL                  | 1    |         |
| 31      | 51168-17C00 | .SPACER, SEAL              | 1    |         |
| 32      | 51152-47H00 | .BUSH, GUIDE               | 1    |         |
| 33      | 51195-27G00 | .PIECE, OIL LOCK           | 1    |         |
| 34      | 51110-11J00 | .PIPE, FORK                | 1    |         |
| 35      | 51146-11J00 | .PIPE SEAT                 | 1    |         |
| 36      | 51196-27G00 | .RING, PISTON              | 1    |         |
| 37      | 51177-14D00 | .SPRING, REBOUND           | 1    |         |
| 38      | 51171-11J00 | .SPRING, FRONT             | 1    |         |
| 39      | 51186-17C00 | .SEAT, SPRING, LOWER       | 1    |         |
| 40      | 51176-19C00 | .COLLAR, SPRING            | 1    |         |
| 41      | 51189-27G00 | .BOLT, FORK                | 1    |         |
| 42      | 51117-17C00 | .O RING                    | 1    |         |
| 43      | 51185-27G00 | ADJUSTER BOLT, SPRING      | 1    |         |
| 44      | 51187-14D00 | .O RING                    | 1    |         |
| 45      | 51186-12C00 | .SEAT, SPRING              | 1    |         |
| 46      | 51188-32B00 | .PIN, SEAT SPRING          | 1    |         |
| 47      | 51147-48130 | .BOLT                      | 1    |         |
| 48      | 51148-31030 | .GASKET                    | 1    |         |
| 49      | 51328-27E30 | BOLT                       | 1    | LH      |

FIG.524A

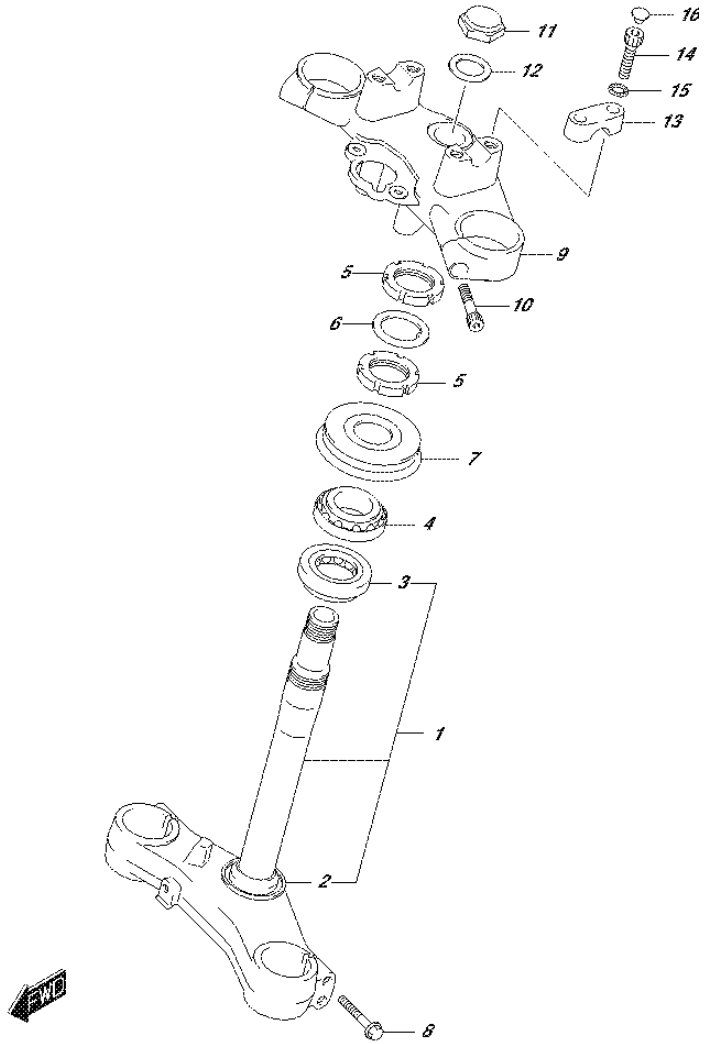


FIG.524A (1-F-6) STEERING STEM

| REF NO. | PART NO.    | DESCRIPTION                | Q'TY | REMARKS |
|---------|-------------|----------------------------|------|---------|
| 1       | 51410-27G30 | STEM, STEERING             | 1    |         |
| 2       | 51644-12C00 | .SEAL, STEERING LOWER      | 1    |         |
| 3       | 09267-30010 | .BEARING (30X55X17)        | 1    |         |
| 4       | 09267-30010 | BEARING (30X55X17)         | 1    |         |
| 5       | 51631-33E00 | NUT                        | 2    |         |
| 6       | 51641-33E00 | WASHER                     | 1    |         |
| 7       | 51643-33E00 | SEAL, STEERING UPPER, DUST | 1    |         |
| 8       | 51328-27E30 | BOLT                       | 4    |         |
| 9       | 51311-11J00 | BRACKET UPPER              | 1    |         |
| 10      | 51166-38B40 | BOLT                       | 2    |         |
| 11      | 51353-27G00 | NUT                        | 1    |         |
| 12      | 51354-06G00 | WASHER                     | 1    |         |
| 13      | 56211-06G40 | HOLDER, HANDLE UPPER       | 2    |         |
| 14      | 51321-10F00 | BOLT                       | 4    |         |
| 15      | 09164-08015 | WASHER                     | 4    |         |
| 16      | 09250-06011 | CAP (OD:11)                | 4    |         |

FIG.530A

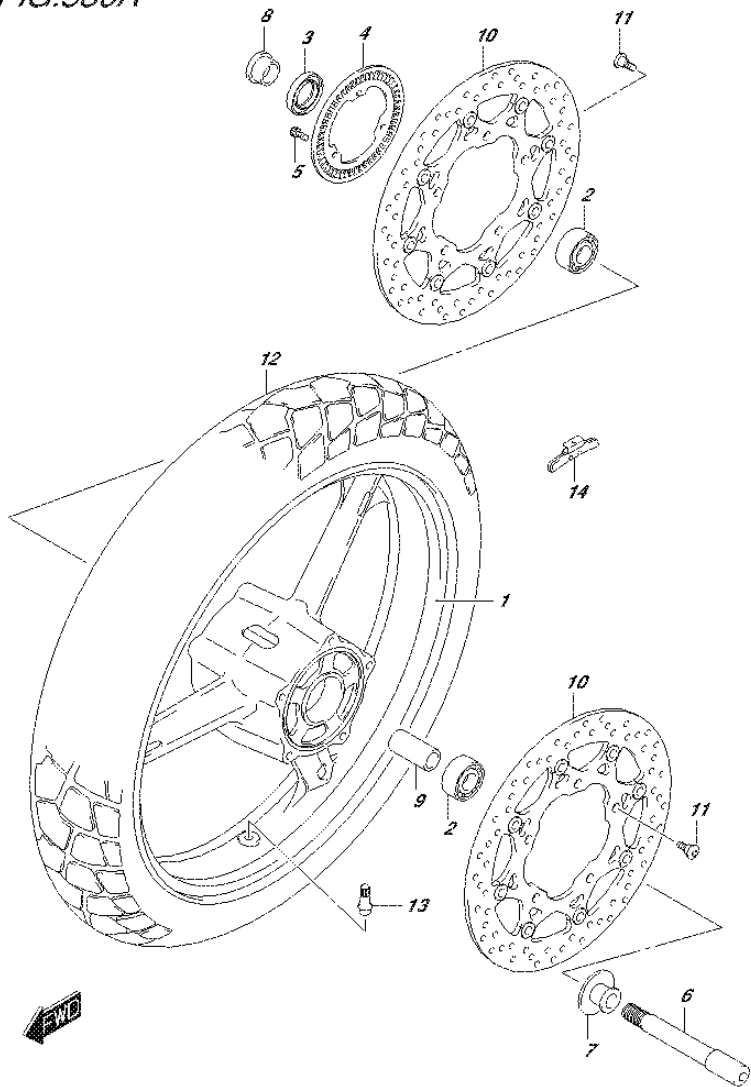


FIG.530A (1-F-7) FRONT WHEEL (DL650AL6 E99)

| REF NO. | PART NO.        | DESCRIPTION                            | Q'TY | REMARKS     |
|---------|-----------------|--|------|-------------|
| 1       | 54111-27G40-019 | WHEEL, FRONT (19M/CXMT2.50)<br>(BLACK) | 1    |             |
| 2       | 08133-62037     | BEARING                                | 2    |             |
| 3       | 09282-24004     | OIL SEAL (24X40X7)                     | 1    |             |
| 4       | 54162-27G00     | RING, SPEED SENSOR FR (50T)            | 1    |             |
| 5       | 07130-0512A     | BOLT                                   | 3    |             |
| 6       | 54711-08F10     | AXLE, FRONT                            | 1    |             |
| 7       | 54750-31F00     | SPACER, FRONT AXLE LH                  | 1    |             |
| 8       | 54751-10G01     | SPACER, FRONT AXLE RH                  | 1    |             |
| 9       | 09180-17067     | SPACER (17.5X25X88)                    | 1    |             |
| 10      | 59210-44G11     | DISC, FRONT BRAKE                      | 2    |             |
| 11      | 09106-08160     | BOLT (8X21)                            | 10   |             |
| 12      | 55110-06G11     | TIRE, FRONT (110/80R19M/C 59H)         | 1    | BRIDGESTONE |
| 13      | 43130-24A00     | VALVE ASSY, WHEEL RIM (TR412)          | 1    |             |
| 14-1    | 43222-73H10     | BALANCER, WHEEL NO.1                   | AR   | 10G         |
| 14-2    | 43224-73H10     | BALANCER, WHEEL NO.2                   | AR   | 20G         |
| 14-3    | 43226-73H10     | BALANCER, WHEEL NO.3                   | AR   | 30G         |

FIG.530B

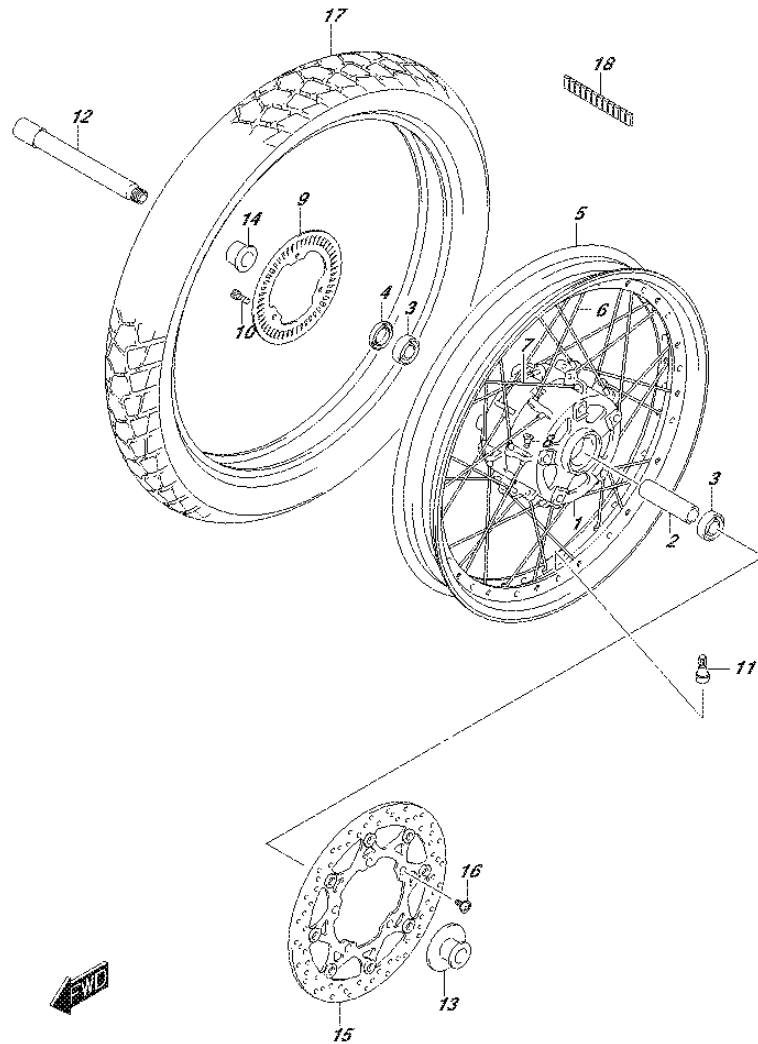


FIG.530B (1-F-8) FRONT WHEEL (DL650XAL6 E99)

| REF NO. | PART NO.    | DESCRIPTION                        | Q'TY | REMARKS     |
|---------|-------------|------------------------------------|------|-------------|
| 1       | 54111-11J00 | HUB, FRONT                         | 1    |             |
| 2       | 09180-17067 | SPACER (17.5X25X88)                | 1    |             |
| 3       | 08133-62037 | BEARING                            | 2    |             |
| 4       | 09282-24004 | OIL SEAL (24X40X7)                 | 1    |             |
| 5       | 55311-11J00 | RIM, FRONT WHEEL<br>(19M/CXMT2.50) | 1    |             |
| 6       | 55321-11J00 | SPOKE, FRONT WHEEL INNER           | 16   |             |
| 7       | 55322-11J00 | SPOKE, FRONT WHEEL OUTER           | 16   |             |
| 8       | 55326-11J00 | NIPPLE, FRONT WHEEL                | 32   |             |
| 9       | 54162-27G00 | RING, SPEED SENSOR FR (50T)        | 1    |             |
| 10      | 07130-0512A | BOLT                               | 3    |             |
| 11      | 43130-24A00 | VALVE ASSY, WHEEL RIM (TR412)      | 1    |             |
| 12      | 54711-08F10 | AXLE, FRONT                        | 1    |             |
| 13      | 54750-31F00 | SPACER, FRONT AXLE, LH             | 1    |             |
| 14      | 54751-10G01 | SPACER, FRONT AXLE, RH             | 1    |             |
| 15      | 59210-44G11 | DISC, FRONT BRAKE                  | 2    |             |
| 16      | 09106-08160 | BOLT (8X21)                        | 10   |             |
| 17      | 55110-06G11 | TIRE, FRONT (110/80R19M/C 59H)     | 1    | BRIDGESTONE |
| 18      | 55411-11J00 | WEIGHT, WHEEL BALANCE (5GRAM)      | 1    |             |

FIG.533A

FIG.533A (1-F-9) HYDRAULIC UNIT

| REF NO. | PART NO.        | DESCRIPTION                | Q'TY | REMARKS |
|---------|-----------------|----------------------------|------|---------|
| 1       | 55610-11J01     | UNIT ASSY, HYDRAULIC ABS   | 1    |         |
| 2       | 55660-11J00     | HOLDER, HYDRAULIC UNIT ABS | 1    |         |
| 3       | 01550-0612A     | BOLT                       | 2    |         |
| 4       | 09116-06171     | BOLT (6X30)                | 1    |         |
| 5       | 09116-06176     | BOLT (6X37)                | 2    |         |
| 6       | 09180-06296     | SPACER (6.5X10X20)         | 3    |         |
| 7       | 09320-10061     | CUSHION                    | 3    |         |
| 8       | 55667-27G10     | COVER, HYDRAULIC UNIT      | 1    |         |
| 9       | 09111-06066     | BOLT (6X16)                | 1    |         |
| 10      | 09409-08308-5ES | CLIP (BLACK)               | 2    |         |
| 11      | 55710-11J00     | SENSOR, FR WHEEL ABS       | 1    |         |
| 12      | 01550-0816A     | BOLT                       | 1    |         |
| 13      | 65710-11J00     | SENSOR, RR WHEEL ABS       | 1    |         |
| 14      | 01550-0816A     | BOLT                       | 1    |         |
| 15      | 09407-14407     | CLAMP (L:145)              | 2    |         |
| 16      | 09408-00266     | CLAMP                      | 5    |         |
| 17      | 34938-14F00     | GUIDE, SENSOR LEAD         | 1    |         |
| 18      | 01547-0612A     | BOLT                       | 1    |         |

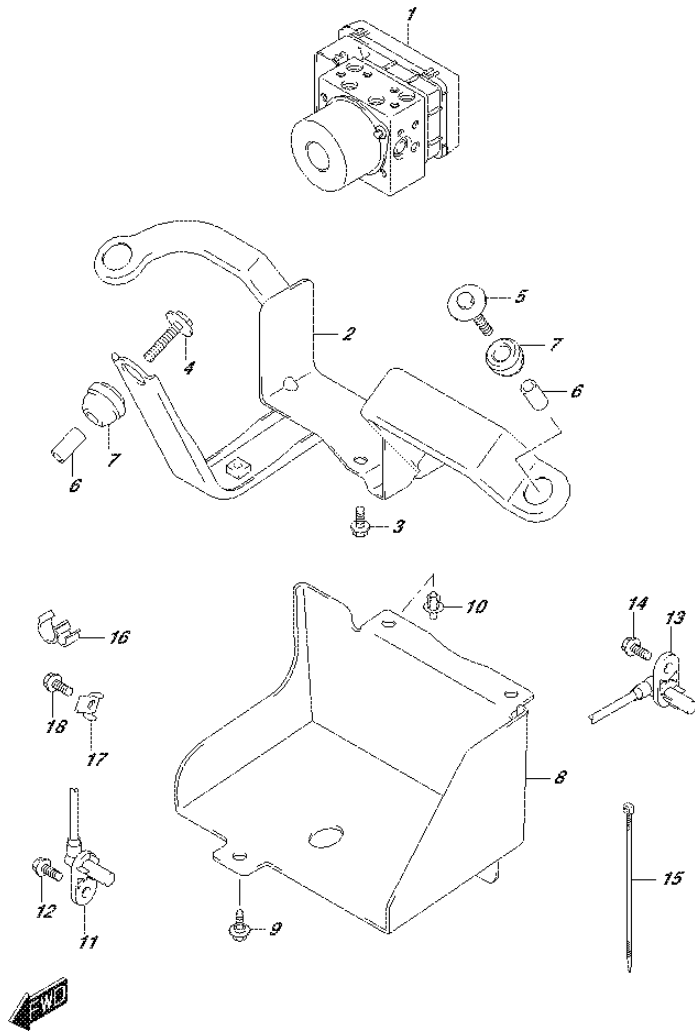




FIG.535A

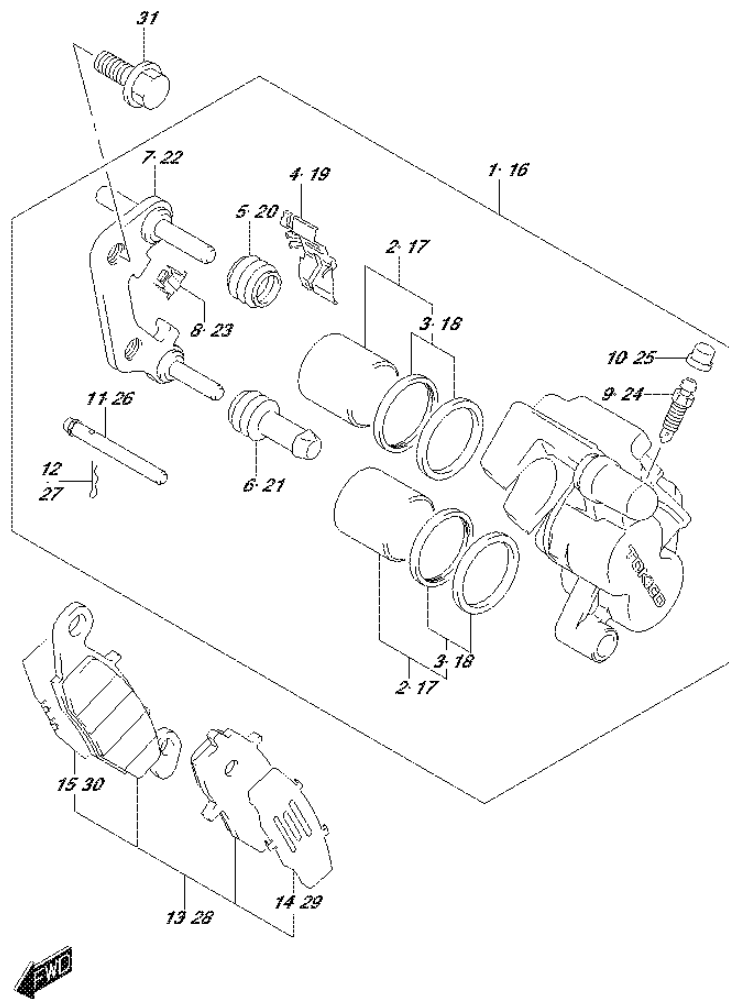


FIG.535A (1-F-10) FRONT CALIPER

| REF NO. | PART NO.        | DESCRIPTION            | Q'TY | REMARKS |
|---------|-----------------|------------------------|------|---------|
| 1       | 59100-33DF1-999 | CALIPER ASSY, FRONT RH | 1    |         |
| 2       | 59300-01820     | .PISTON SET            | 1    |         |
| 3       | 59100-04851     | ..SEAL SET, PISTON     | 1    |         |
| 4       | 59115-33D00     | .SPRING RH             | 1    |         |
| 5       | 59112-44B00     | .BOOT                  | 1    |         |
| 6       | 59313-36500     | .INSULATOR             | 1    |         |
| 7       | 59150-33D01     | .CARRIER, CALIPER RH   | 1    |         |
| 8       | 59116-33D00     | .GUIDE                 | 1    |         |
| 9       | 59121-18410     | .BLEEDER               | 1    |         |
| 10      | 55156-66310     | .CAP                   | 1    |         |
| 11      | 59141-44B01     | .PIN                   | 1    |         |
| 12      | 69142-45000     | .CLIP                  | 1    |         |
| 13      | 59102-33870     | PAD & SHIM SET RH      | 1    |         |
| 14      | 59171-33D00     | .SHIM                  | 1    |         |
| 15      | 59172-33D00     | .SHIM, NO.2            | 1    |         |
| 16      | 59300-33DF1-999 | CALIPER ASSY, FRONT LH | 1    |         |
| 17      | 59300-01820     | .PISTON SET            | 1    |         |
| 18      | 59100-04851     | ..SEAL SET, PISTON     | 1    |         |
| 19      | 59315-33D00     | .SPRING LH             | 1    |         |
| 20      | 59112-44B00     | .BOOT                  | 1    |         |
| 21      | 59313-36500     | .INSULATOR             | 1    |         |
| 22      | 59350-33D01     | .CARRIER, CALIPER LH   | 1    |         |
| 23      | 59116-33D00     | .GUIDE                 | 1    |         |
| 24      | 59121-18410     | .BLEEDER               | 1    |         |
| 25      | 55156-66310     | .CAP                   | 1    |         |
| 26      | 59141-44B01     | .PIN                   | 1    |         |
| 27      | 69142-45000     | .CLIP                  | 1    |         |
| 28      | 59302-33850     | PAD & SHIM SET LH      | 1    |         |
| 29      | 59171-33D00     | .SHIM                  | 1    |         |
| 30      | 59172-33D00     | .SHIM, NO.2            | 1    |         |
| 31      | 01550-1025A     | BOLT                   | 4    |         |

FIG.536A

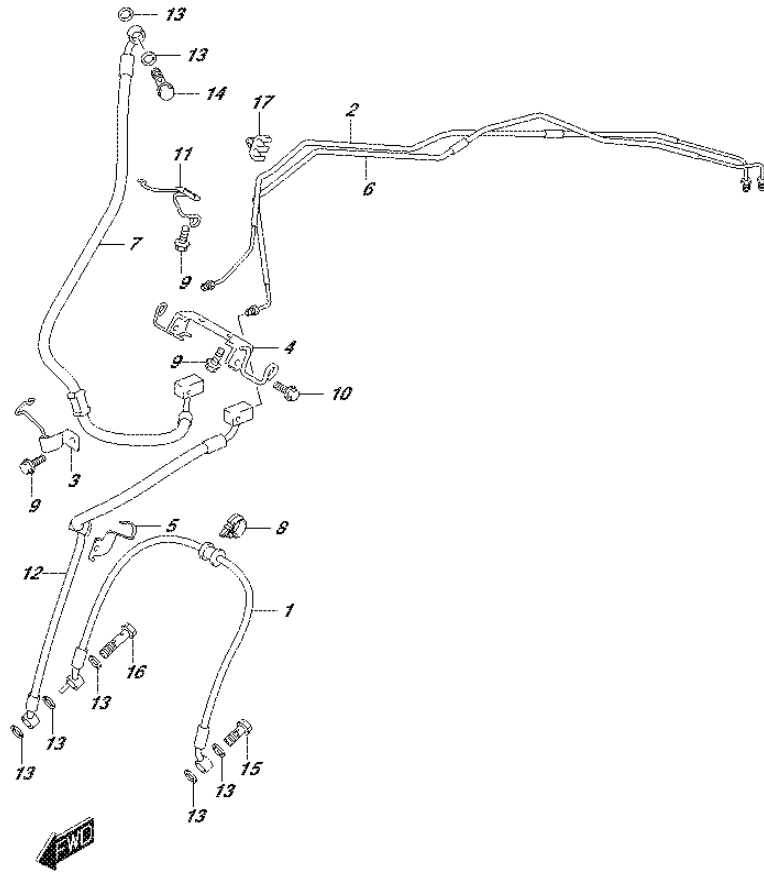


FIG.536A (1-F-11) FRONT BRAKE HOSE

| REF NO. | PART NO.    | DESCRIPTION                  | Q'TY | REMARKS |
|---------|-------------|------------------------------|------|---------|
| 1       | 59240-11J00 | HOSE, FRONT BRAKE NO.2       | 1    |         |
| 2       | 59250-11J00 | PIPE, FRONT BRAKE NO.1       | 1    |         |
| 3       | 59260-06G10 | CLAMP, FRONT BRAKE HOSE NO.1 | 1    |         |
| 4       | 59260-11J00 | CLAMP, FRONT BRAKE HOSE NO.2 | 1    |         |
| 5       | 59268-11J00 | CLAMP, FRONT BRAKE HOSE RH   | 1    |         |
| 6       | 59450-11J00 | PIPE, FRONT BRAKE NO.2       | 1    |         |
| 7       | 59480-11J00 | HOSE, FRONT BRAKE NO.1       | 1    |         |
| 8       | 09403-16412 | CLAMP                        | 1    |         |
| 9       | 01547-0612A | BOLT                         | 4    |         |
| 10      | 01547-0616A | BOLT                         | 2    |         |
| 11      | 59540-11J00 | GUIDE, FR BRAKE HOSE         | 1    |         |
| 12      | 59560-11J00 | HOSE, FRONT BRAKE NO.3       | 1    |         |
| 13      | 09161-10009 | WASHER (10X15X1.5)           | 7    |         |
| 14      | 09360-10062 | UNION                        | 1    |         |
| 15      | 09360-10062 | UNION                        | 1    |         |
| 16      | 09360-10064 | UNION                        | 1    |         |
| 17      | 09403-07334 | CLAMP                        | 1    |         |

FIG.537A

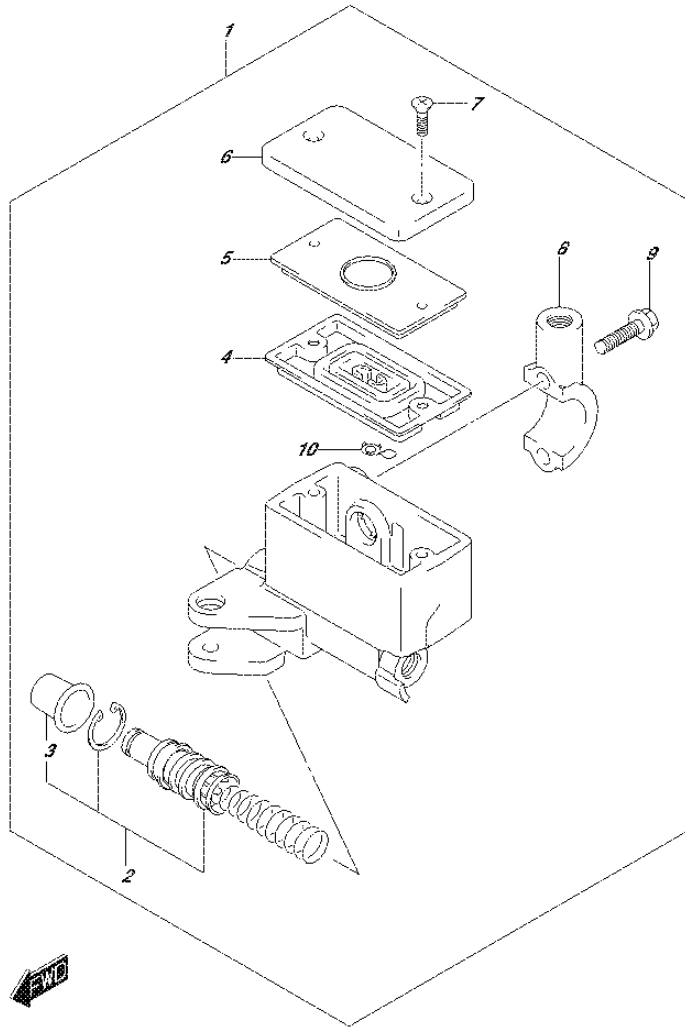


FIG.537A (1-F-12) FRONT MASTER CYLINDER

| REF NO. | PART NO.    | DESCRIPTION                 | Q'TY | REMARKS |
|---------|-------------|-----------------------------|------|---------|
| 1       | 59600-10G30 | CYLINDER ASSY, FRONT MASTER | 1    |         |
| 2       | 59600-45870 | .PISTON/CUP SET             | 1    |         |
| 3       | 59666-44300 | .BOOT                       | 1    |         |
| 4       | 59667-49460 | .DIAPHRAGM                  | 1    |         |
| 5       | 59668-41C00 | .PLATE, DIAPHRAGM           | 1    |         |
| 6       | 59669-10G00 | .CAP                        | 1    |         |
| 7       | 69689-49300 | .SCREW                      | 2    |         |
| 8       | 59671-32F00 | .HOLDER                     | 1    |         |
| 9       | 59675-02FA0 | .BOLT (6X22)                | 2    |         |
| 10      | 59664-32F00 | .PROTECTOR                  | 1    |         |

FIG.541A

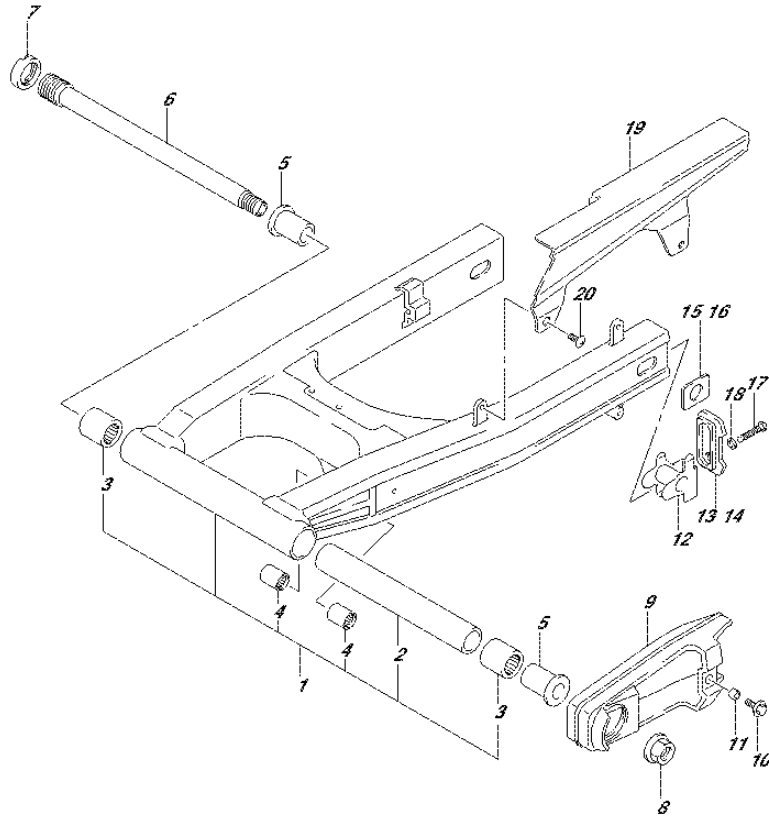


FIG.541A (1-F-13) REAR SWINGINGARM

| REF NO. | PART NO.        | DESCRIPTION                       | Q'TY | REMARKS |
|---------|-----------------|-----------------------------------|------|---------|
| 1       | 61000-27G30-YAP | SWINGINGARM ASSY, REAR<br>(BLACK) | 1    |         |
| 2       | 09180-20118     | .SPACER (20.8X27.2X196.7)         | 1    |         |
| 3       | 09263-25059     | .BEARING (25X33X35)               | 2    |         |
| 4       | 09263-17037     | .BEARING (17X24X25)               | 2    |         |
| 5       | 61251-31E00     | SPACER, SWINGINGARM               | 2    |         |
| 6       | 61211-06G00     | SHAFT, RR SWINGINGARM PIVOT       | 1    |         |
| 7       | 61214-19F10     | NUT, PIVOT SHAFT                  | 1    |         |
| 8       | 08319-3118A     | NUT                               | 1    |         |
| 9       | 61273-27G00     | BUFFER, CHAIN TOUCH DEFENSE       | 1    |         |
| 10      | 09116-06152     | BOLT (6X20)                       | 1    |         |
| 11      | 09180-06283     | SPACER (6.5X10X7)                 | 1    |         |
| 12      | 61410-03F00     | ADJUSTER, CHAIN                   | 2    |         |
| 13      | 61421-33D01     | PLATE, CHAIN ADJUSTER GUIDE RH    | 1    |         |
| 14      | 61422-33D01     | PLATE, CHAIN ADJUSTER GUIDE LH    | 1    |         |
| 15      | 64712-03F00     | WASHER, CHAIN ADJUSTER RH         | 1    |         |
| 16      | 64713-03F00     | WASHER, CHAIN ADJUSTER LH         | 1    |         |
| 17      | 09106-08119     | BOLT (8X50)                       | 2    |         |
| 18      | 09164-08015     | WASHER                            | 2    |         |
| 19      | 61310-16G00     | CASE, CHAIN                       | 1    |         |
| 20      | 09139-06083     | SCREW (6X16)                      | 2    |         |

FIG.543A

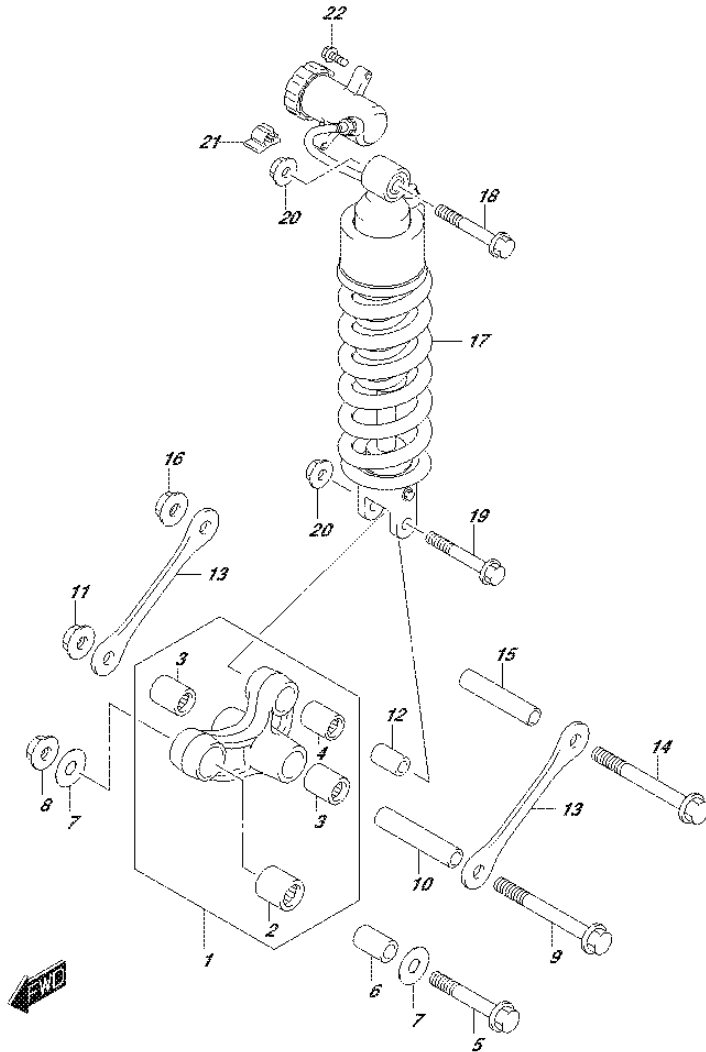
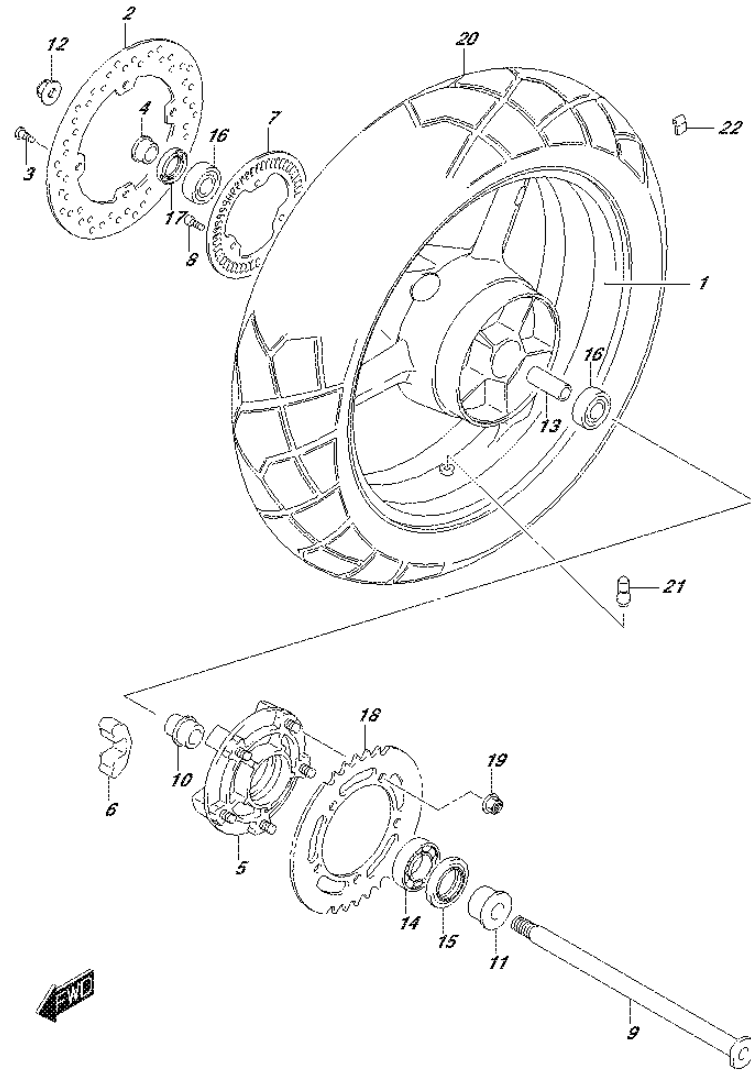


FIG.543A (1-F-14) REAR CUSHION LEVER

| REF NO. | PART NO.        | DESCRIPTION                          | Q'TY | REMARKS |
|---------|-----------------|--------------------------------------|------|---------|
| 1       | 62600-06870     | LEVER SET, REAR CUSHION              | 1    |         |
| 2       | 09263-20073     | .BEARING (20X27X30)                  | 1    | FRONT   |
| 3       | 09263-17037     | .BEARING (17X24X25)                  | 2    | CENTER  |
| 4       | 09263-17034     | .BEARING (17X24X26)                  | 1    | REAR    |
| 5       | 62658-19F00     | BOLT, FRONT (12X78)                  | 1    |         |
| 6       | 62684-12C00     | SPACER, FRONT (12X20X32)             | 1    |         |
| 7       | 09160-12037     | WASHER (12X34X1)                     | 2    |         |
| 8       | 09159-12056     | NUT                                  | 1    |         |
| 9       | 62621-19D00     | BOLT, RR CUSHION ROD                 | 1    |         |
| 10      | 09180-12122     | SPACER (12X17X85)                    | 1    | CENTER  |
| 11      | 09159-12056     | NUT                                  | 1    |         |
| 12      | 62684-40A10     | SPACER, REAR (10X17X30)              | 1    |         |
| 13      | 62641-06G00     | ROD, REAR CUSHION                    | 2    |         |
| 14      | 62621-19D00     | BOLT, RR CUSHION ROD                 | 1    |         |
| 15      | 09180-12122     | SPACER (12X17X85)                    | 1    | ROD     |
| 16      | 09159-12056     | NUT                                  | 1    |         |
| 17      | 62100-06GG0-019 | ABSORBER ASSY, REAR SHOCK<br>(BLACK) | 1    |         |
| 18      | 09103-10033     | BOLT (10X70)                         | 1    | UPPER   |
| 19      | 09103-10143     | BOLT (10X55)                         | 1    | LOWER   |
| 20      | 09159-10115     | NUT                                  | 2    |         |
| 21      | 09403-10313     | CLAMP                                | 1    |         |
| 22      | 01550-0616A     | BOLT                                 | 2    |         |

FIG.550A



DL650AL6\_E99\_550A  
REAR WHEEL

FIG.550A (1-F-15) REAR WHEEL (DL650AL6 E99)

| REF NO. | PART NO.        | DESCRIPTION                           | Q'TY | REMARKS     |
|---------|-----------------|---------------------------------------|------|-------------|
| 1       | 64111-06G20-019 | WHEEL, REAR (17M/CXMT4.00)<br>(BLACK) | 1    |             |
| 2       | 69211-06G10     | DISC, REAR BRAKE                      | 1    |             |
| 3       | 09106-08160     | BOLT (8X21)                           | 4    |             |
| 4       | 64741-10F00     | SPACER, REAR AXLE RH                  | 1    |             |
| 5       | 64610-35F40     | DRUM, REAR SPROCKET                   | 1    |             |
| 6       | 64651-35F10     | ABSORBER, REAR HUB SHOCK              | 5    |             |
| 7       | 54162-27G00     | RING, SPEED SENSOR FR (50T)           | 1    |             |
| 8       | 07130-0512A     | BOLT                                  | 3    |             |
| 9       | 64711-03F00     | AXLE, REAR                            | 1    |             |
| 10      | 64733-06G00     | RETAINER, REAR SPROCKET DRUM          | 1    |             |
| 11      | 64751-27G00     | SPACER, REAR AXLE LH                  | 1    |             |
| 12      | 08319-3118A     | NUT                                   | 1    |             |
| 13      | 09180-20112     | SPACER (20.8X27.2X124)                | 1    |             |
| 14      | 09262-32022     | BEARING (32X65X17)                    | 1    |             |
| 15      | 09285-39001     | OIL SEAL (39X65X7)                    | 1    |             |
| 16      | 08123-62047     | BEARING                               | 2    |             |
| 17      | 09285-28001     | OIL SEAL (28X47X7)                    | 1    |             |
| 18      | 64511-27G00     | SPROCKET, REAR (NT:47-525)            | 1    |             |
| 19      | 08319-3110A     | NUT                                   | 5    |             |
| 20      | 65110-06G11     | TIRE, REAR (150/70R17M/C 69H)         | 1    | BRIDGESTONE |
| 21      | 43130-24A00     | VALVE ASSY, WHEEL RIM (TR412)         | 1    |             |
| 22-1    | 43222-73H10     | BALANCER, WHEEL NO.1                  | AR   | 10G         |
| 22-2    | 43224-73H10     | BALANCER, WHEEL NO.2                  | AR   | 20G         |
| 22-3    | 43226-73H10     | BALANCER, WHEEL NO.3                  | AR   | 30G         |

DL650AL6\_E99

FIG.550B

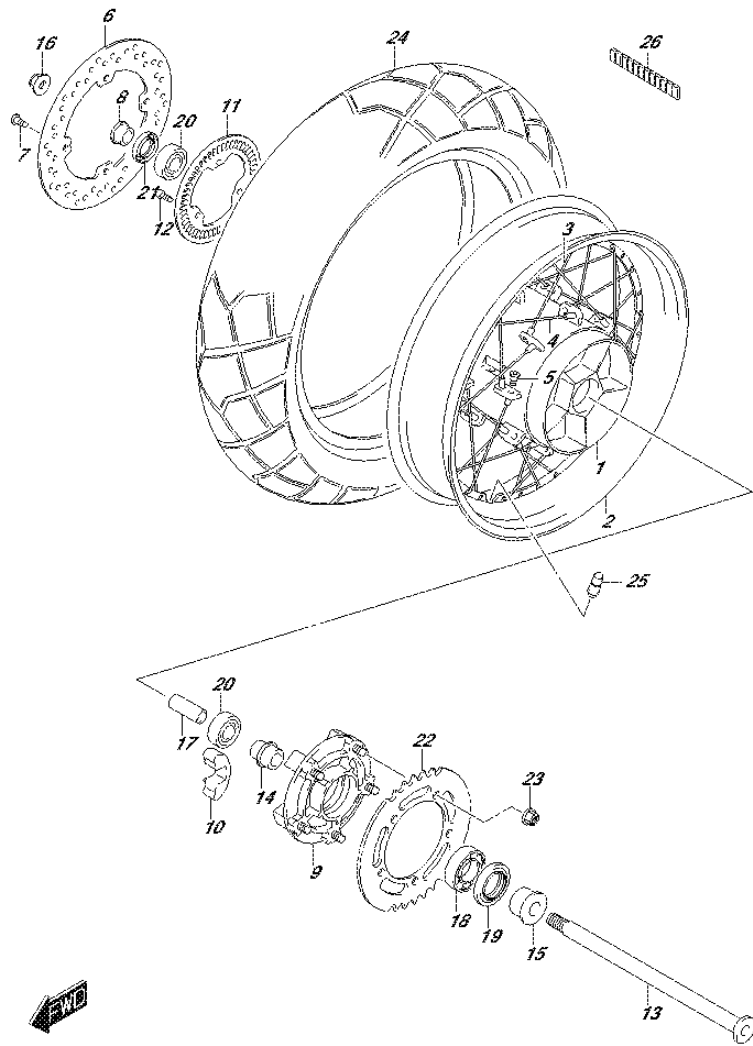


FIG.550B (1-G-2) REAR WHEEL (DL650AL6 E99)

| REF NO. | PART NO.    | DESCRIPTION                    | Q'TY | REMARKS     |
|---------|-------------|--------------------------------|------|-------------|
| 1       | 64111-11J00 | HUB, REAR                      | 1    |             |
| 2       | 65311-11J00 | RIM, REAR WHEEL (17M/CXMT4.00) | 1    |             |
| 3       | 65321-11J00 | SPOKE, REAR WHEEL INNER        | 16   |             |
| 4       | 65322-11J00 | SPOKE, REAR WHEEL OUTER        | 16   |             |
| 5       | 55326-11J00 | NIPPLE, REAR WHEEL             | 32   |             |
| 6       | 69211-06G10 | DISC, REAR BRAKE               | 1    |             |
| 7       | 09106-08160 | BOLT (8X21)                    | 4    |             |
| 8       | 64741-10F00 | SPACER, REAR AXLE RH           | 1    |             |
| 9       | 64610-35F40 | DRUM, REAR SPROCKET            | 1    |             |
| 10      | 64651-35F10 | ABSORBER, REAR HUB SHOCK       | 5    |             |
| 11      | 54162-27G00 | RING, SPEED SENSOR FR (50T)    | 1    |             |
| 12      | 07130-0512A | BOLT                           | 3    |             |
| 13      | 64711-03F00 | AXLE, REAR                     | 1    |             |
| 14      | 64733-06G00 | RETAINER, REAR SPROCKET DRUM   | 1    |             |
| 15      | 64751-27G00 | SPACER, REAR AXLE LH           | 1    |             |
| 16      | 08319-3118A | NUT                            | 1    |             |
| 17      | 09180-20112 | SPACER (20.8X27.2X124)         | 1    |             |
| 18      | 09262-32022 | BEARING (32X65X17)             | 1    |             |
| 19      | 09285-39001 | OIL SEAL (39X65X7)             | 1    |             |
| 20      | 08123-62047 | BEARING                        | 2    |             |
| 21      | 09285-28001 | OIL SEAL (28X47X7)             | 1    |             |
| 22      | 64511-27G00 | SPROCKET, REAR (NT:47-525)     | 1    |             |
| 23      | 08319-3110A | NUT                            | 5    |             |
| 24      | 65110-06G11 | TIRE, REAR (150/70R17M/C 69H)  | 1    | BRIDGESTONE |
| 25      | 43130-24A00 | VALVE ASSY, WHEEL RIM (TR412)  | 1    |             |
| 26      | 55411-11J00 | WEIGHT, WHEEL BALANCE (5GRAM)  | 1    |             |

FIG.555A

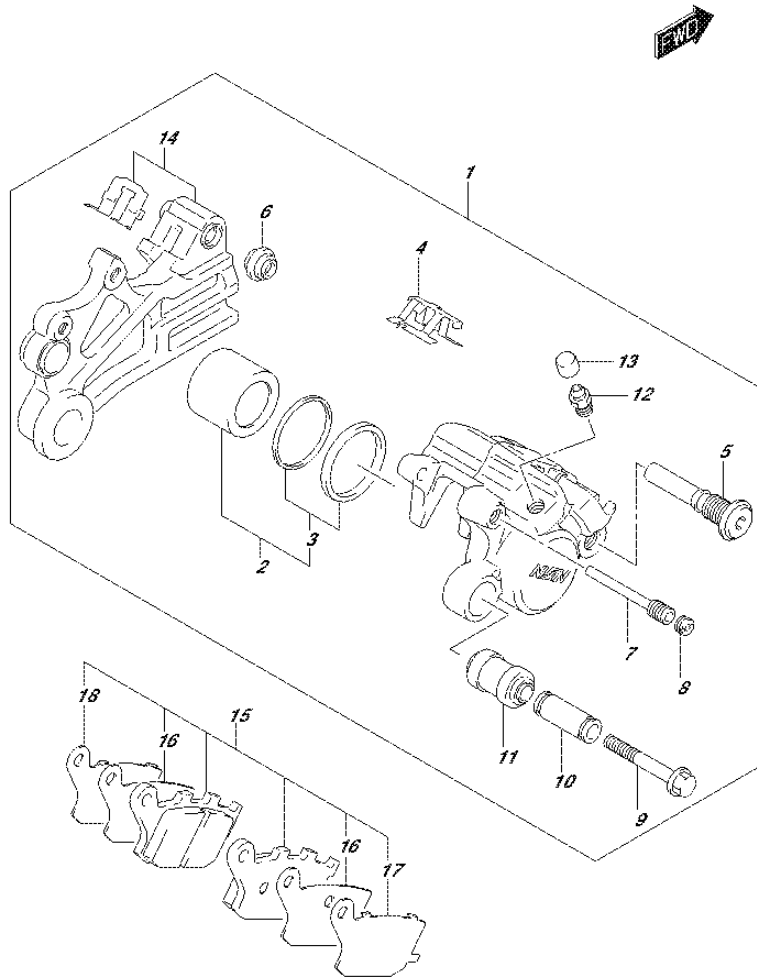
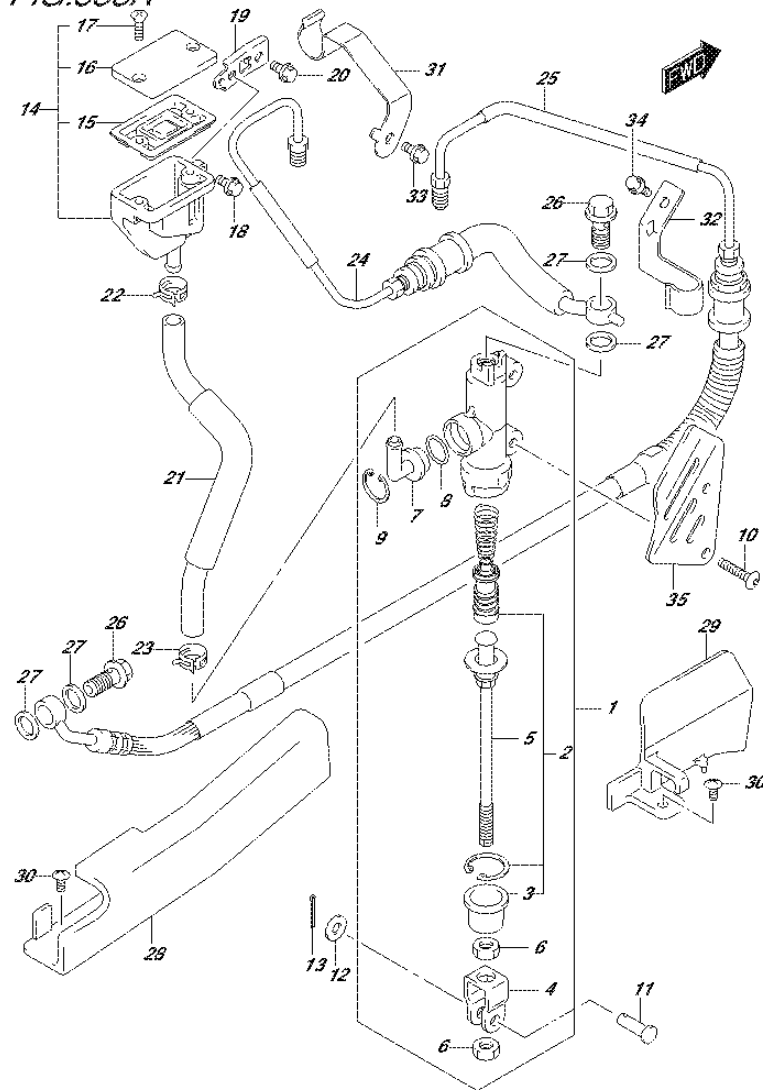


FIG.555A (1-G-3) REAR CALIPER

| REF NO. | PART NO.        | DESCRIPTION        | Q'TY | REMARKS |
|---------|-----------------|--------------------|------|---------|
| 1       | 69100-27G10-999 | CALIPER ASSY, REAR | 1    |         |
| 2       | 69100-04810     | .PISTON SET        | 1    |         |
| 3       | 69100-04820     | ..SEAL SET, PISTON | 1    |         |
| 4       | 69115-06G00     | .SPRING, PAD       | 1    |         |
| 5       | 59305-36E00     | .PIN, BOLT         | 1    |         |
| 6       | 59303-14500     | .BOOT              | 1    |         |
| 7       | 69141-40F00     | .PIN, HANGER       | 1    |         |
| 8       | 59146-21E10     | .PLUG              | 1    |         |
| 9       | 69182-04F00     | .BOLT              | 1    |         |
| 10      | 69185-04F00     | .SLEEVE            | 1    |         |
| 11      | 69186-04F00     | .BOOT              | 1    |         |
| 12      | 59121-01A00     | .BLEEDER           | 1    |         |
| 13      | 59122-46H00     | .CAP               | 1    |         |
| 14      | 69150-27G00     | .BRACKET           | 1    |         |
| 15      | 69100-06830     | PAD & RETAINER SET | 1    |         |
| 16      | 69132-06G00     | .INSULATOR         | 2    |         |
| 17      | 69133-06G00     | .RETAINER          | 1    |         |
| 18      | 69134-06G00     | .RETAINER          | 1    |         |



FIG.558A



DL650AL6\_E99\_558A  
 REAR MASTER CYLINDER

FIG.558A (1-G-4) REAR MASTER CYLINDER

| REF NO. | PART NO.    | DESCRIPTION                  | Q'TY | REMARKS |
|---------|-------------|------------------------------|------|---------|
| 1       | 69600-06G00 | CYLINDER ASSY, REAR MASTER   | 1    |         |
| 2       | 69600-34820 | .PISTON/CUP SET              | 1    |         |
| 3       | 69691-00A00 | .BOOT                        | 1    |         |
| 4       | 69692-19A00 | .YOKE                        | 1    |         |
| 5       | 69670-03G00 | .ROD, PUSH                   | 1    |         |
| 6       | 69693-05A00 | .NUT                         | 2    |         |
| 7       | 69672-00B20 | .CONNECTOR                   | 1    |         |
| 8       | 69686-34200 | .O RING                      | 1    |         |
| 9       | 69674-00B20 | .CIRCLIP                     | 1    |         |
| 10      | 09139-06029 | SCREW (6X25)                 | 2    |         |
| 11      | 09200-06068 | PIN (6X18.2)                 | 1    |         |
| 12      | 08322-0106B | WASHER                       | 1    |         |
| 13      | 04111-2015A | COTTER PIN                   | 1    |         |
| 14      | 69740-01D02 | TANK ASSY, RESERVOIR         | 1    |         |
| 15      | 59667-04700 | .DIAPHRAGM                   | 1    |         |
| 16      | 59669-05D00 | .CAP                         | 1    |         |
| 17      | 69689-04A00 | .SCREW                       | 2    |         |
| 18      | 01547-0612A | BOLT                         | 1    |         |
| 19      | 69750-27G20 | BRACKET, RR RESERVOIR TANK   | 1    |         |
| 20      | 01547-0612A | BOLT                         | 1    |         |
| 21      | 69730-27G00 | HOSE, RESERVOIR TANK         | 1    |         |
| 22      | 09401-13417 | CLIP                         | 1    | UPPER   |
| 23      | 09401-12404 | CLIP                         | 1    | LOWER   |
| 24      | 69200-11J10 | HOSE ASSY, RR BRAKE NO.1     | 1    |         |
| 25      | 69400-11J00 | HOSE ASSY, RR BRAKE NO.2     | 1    |         |
| 26      | 09360-10062 | UNION                        | 2    |         |
| 27      | 09161-10009 | WASHER (10X15X1.5)           | 4    |         |
| 28      | 61196-27G10 | GUIDE, BRAKE HOSE            | 1    |         |
| 29      | 61196-06G00 | GUIDE, REAR BRAKE HOSE FRONT | 1    |         |
| 30      | 02142-0510A | SCREW                        | 2    |         |
| 31      | 69260-11J00 | CLAMP, REAR BRAKE HOSE       | 1    |         |
| 32      | 69266-27G00 | CLAMP, RR BRAKE HOSE NO.2    | 1    |         |
| 33      | 01547-0610B | BOLT                         | 1    |         |
| 34      | 01547-0612A | BOLT                         | 1    |         |
| 35      | 69641-06G00 | COVER, REAR MASTER CYLINDER  | 1    |         |

DL650AL6\_E99

FIG.901A

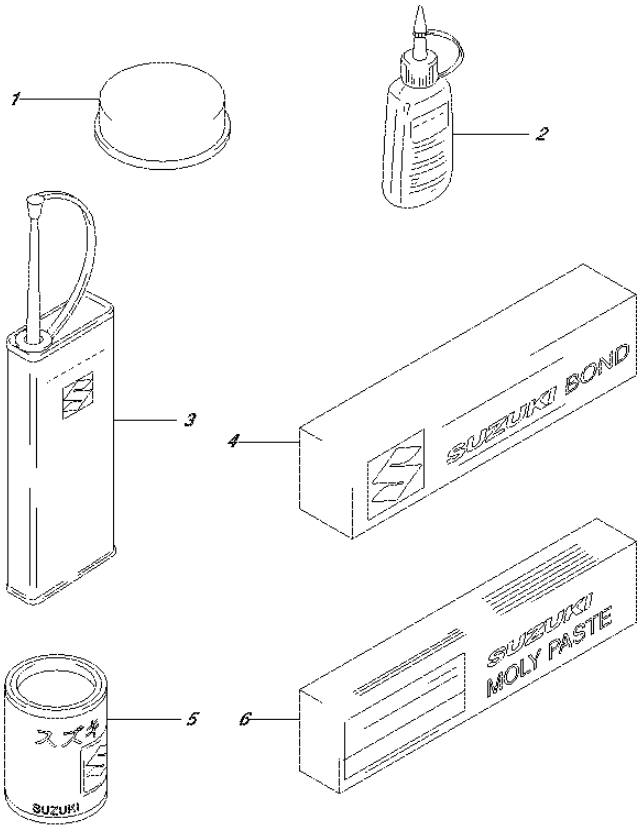
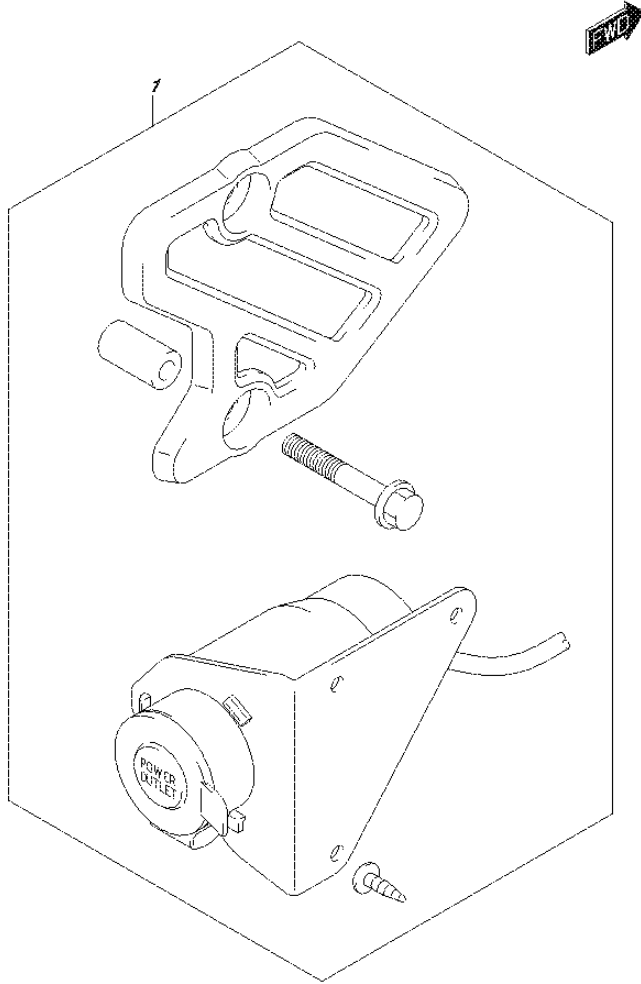


FIG.901A (1-G-5) OPTIONAL

| REF NO. | PART NO.    | DESCRIPTION                 | Q'TY | REMARKS |
|---------|-------------|-----------------------------|------|---------|
| 1       | 99000-25110 | SUZUKI PBC GREASE           | 1    | 20G     |
| 2-1     | 99000-32020 | THREAD LOCK SUPER (1333B)   | 1    | 50G     |
| 2-2     | 99000-32030 | THREAD LOCK SUPER (1303B)   | 1    | 50G     |
| 2-3     | 99000-32050 | THREAD LOCK SUPER (1342)    | 1    | 50G     |
| 2-4     | 99000-32100 | THREAD LOCK SUPER (1305)    | 1    | 50G     |
| 2-5     | 99000-32130 | THREAD LOCK SUPER (1360)    | 1    | 50G     |
| 3       | 99000-32040 | THREAD LOCK CEMENT          | 1    | 200G    |
| 4-1     | 99000-31140 | SUZUKI BOND (1207B) (BLACK) | 1    | 100G    |
| 4-2     | 99000-31110 | SUZUKI BOND (1215)          | 1    | 100G    |
| 5       | 99000-25030 | SUZUKI SUPER GREASE         | 1    | 150G    |
| 6       | 99000-25140 | SUZUKI MOLY PASTE           | 1    | 50G     |

FIG.970A



**FIG.970A (1-G-6) OPTIONAL (POWER SOURCE TERMINAL SET)**

| REF NO. | PART NO.    | DESCRIPTION                | Q'TY | REMARKS |
|---------|-------------|----------------------------|------|---------|
| 1       | 38800-09811 | TERMINAL SET, POWER SOURCE | 1    |         |

FIG.970B

**FIG.970B (1-G-7) OPTIONAL (LOW SEAT) (DL650AL6 E99)**

| REF NO. | PART NO.        | DESCRIPTION           | Q'TY | REMARKS |
|---------|-----------------|-----------------------|------|---------|
| 1       | 45100-11J50-KCJ | SEAT ASSY (BLACK/RED) | 1    |         |

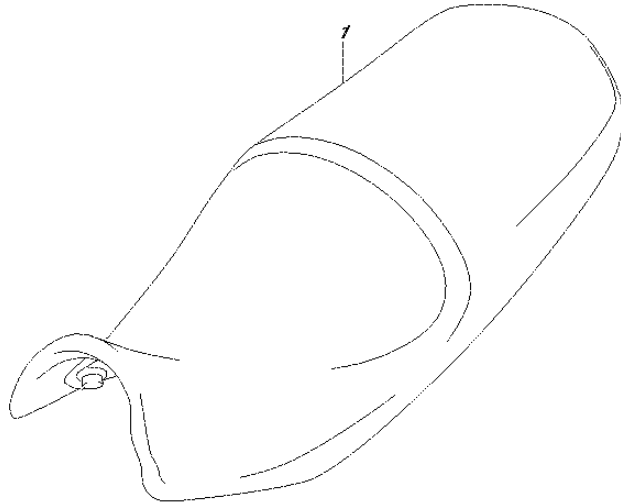


FIG.970C

**FIG.970C (1-G-8) OPTIONAL (LOW SEAT) (DL650XAL6 E99)**

| REF NO. | PART NO.        | DESCRIPTION                | Q'TY | REMARKS |
|---------|-----------------|----------------------------|------|---------|
| 1       | 45100-11J50-A28 | SEAT ASSY (BLACK/GRAY/RED) | 1    |         |

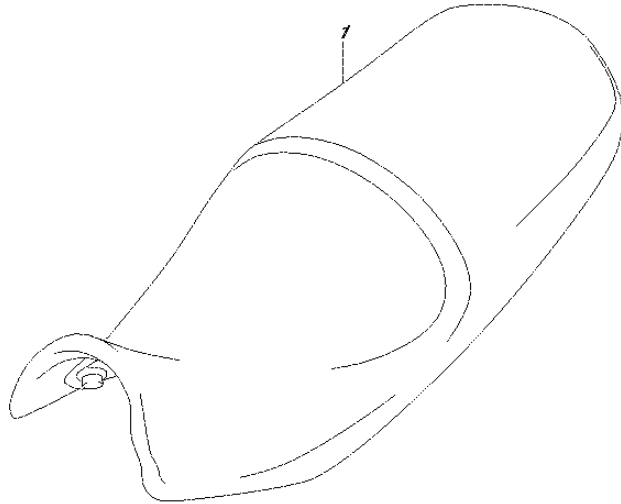


FIG.970D

**FIG.970D (1-G-9) OPTIONAL (HIGH SEAT) (DL650AL6 E99)**

| REF NO. | PART NO.        | DESCRIPTION           | Q'TY | REMARKS |
|---------|-----------------|-----------------------|------|---------|
| 1       | 45100-11J60-KCJ | SEAT ASSY (BLACK/RED) | 1    |         |

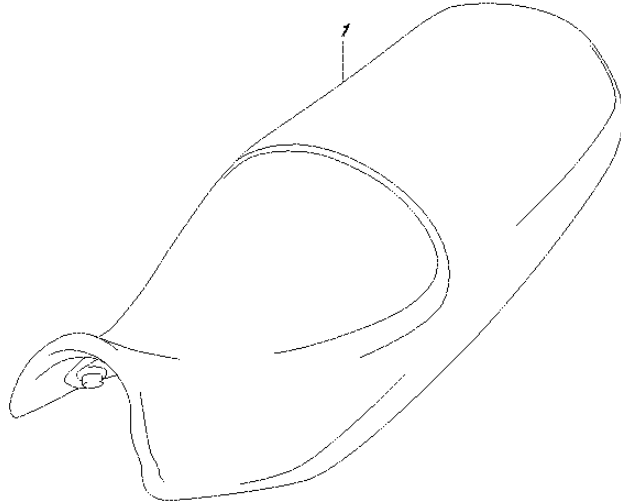


FIG.970E

**FIG.970E (1-G-10) OPTIONAL (HIGH SEAT) (DL650XAL6 E99)**

| REF NO. | PART NO.        | DESCRIPTION                | Q'TY | REMARKS |
|---------|-----------------|----------------------------|------|---------|
| 1       | 45100-11J60-A28 | SEAT ASSY (BLACK/GRAY/RED) | 1    |         |

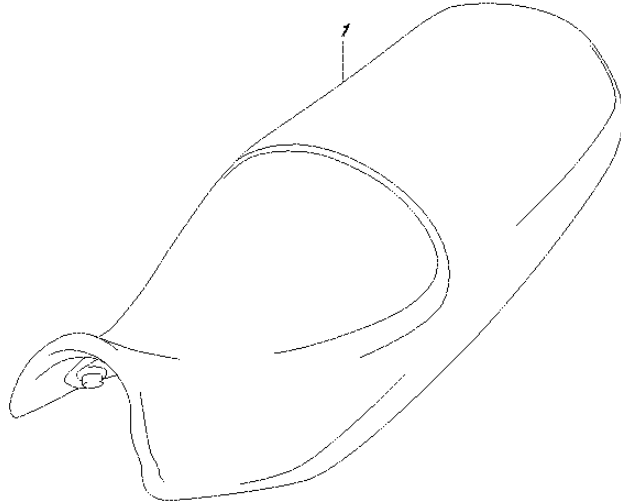


FIG.970F



FIG.970F (1-G-11) OPTIONAL (GRIP HEATER SET)

| REF NO. | PART NO.    | DESCRIPTION      | Q'TY | REMARKS |
|---------|-------------|------------------|------|---------|
| 1       | 57100-27832 | HEATER SET, GRIP | 1    |         |

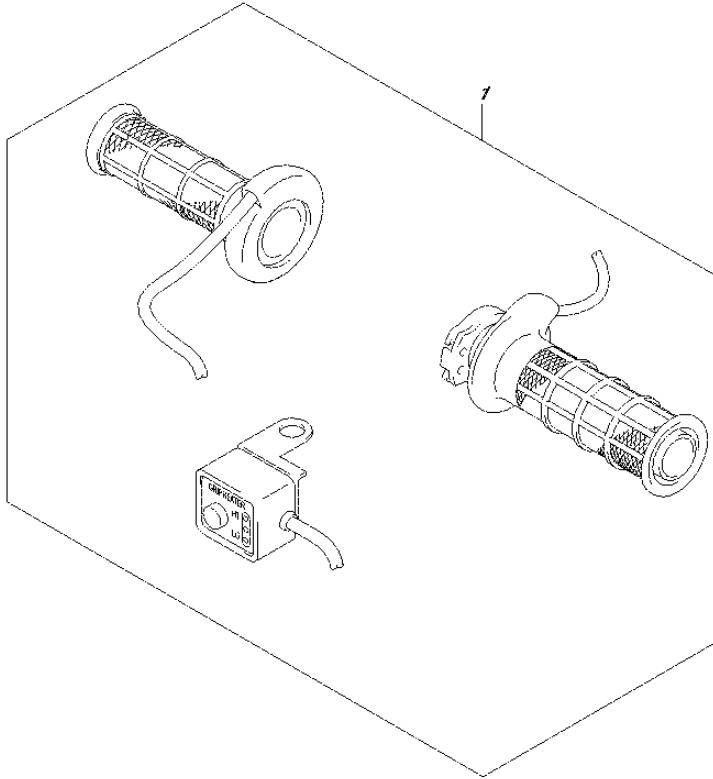




FIG.970G

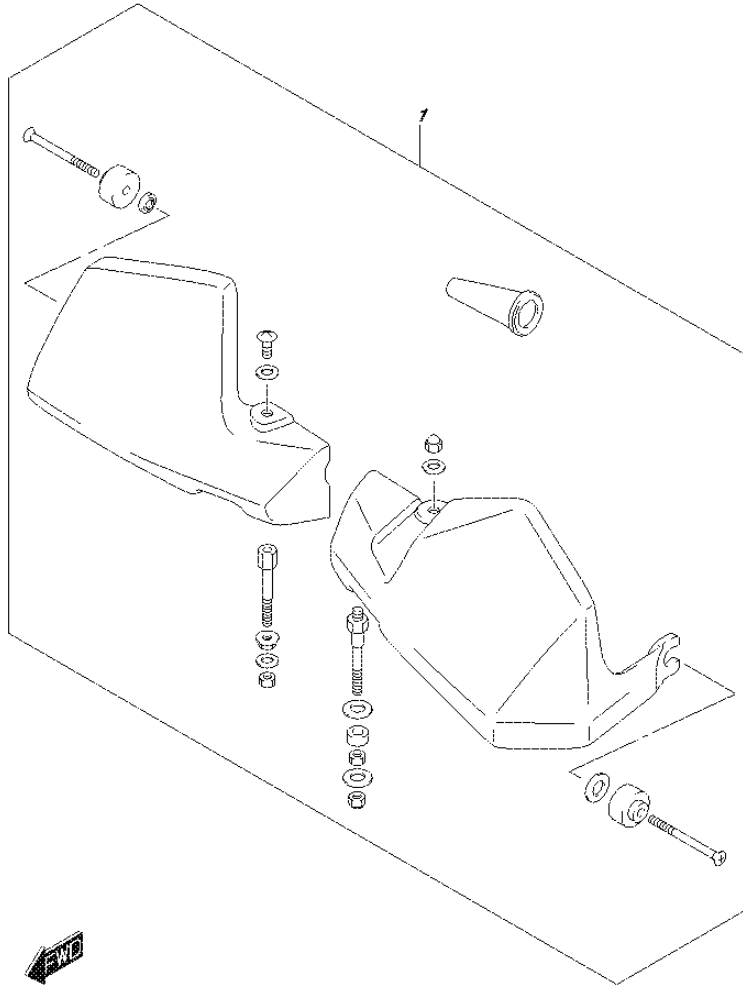


FIG.970G (1-G-12) OPTIONAL (KNUCKLE COVER SET)

| REF NO. | PART NO.        | DESCRIPTION                | Q'TY | REMARKS |
|---------|-----------------|----------------------------|------|---------|
| 1       | 57300-27831-291 | COVER SET, KNUCKLE (BLACK) | 1    |         |

FIG.970H

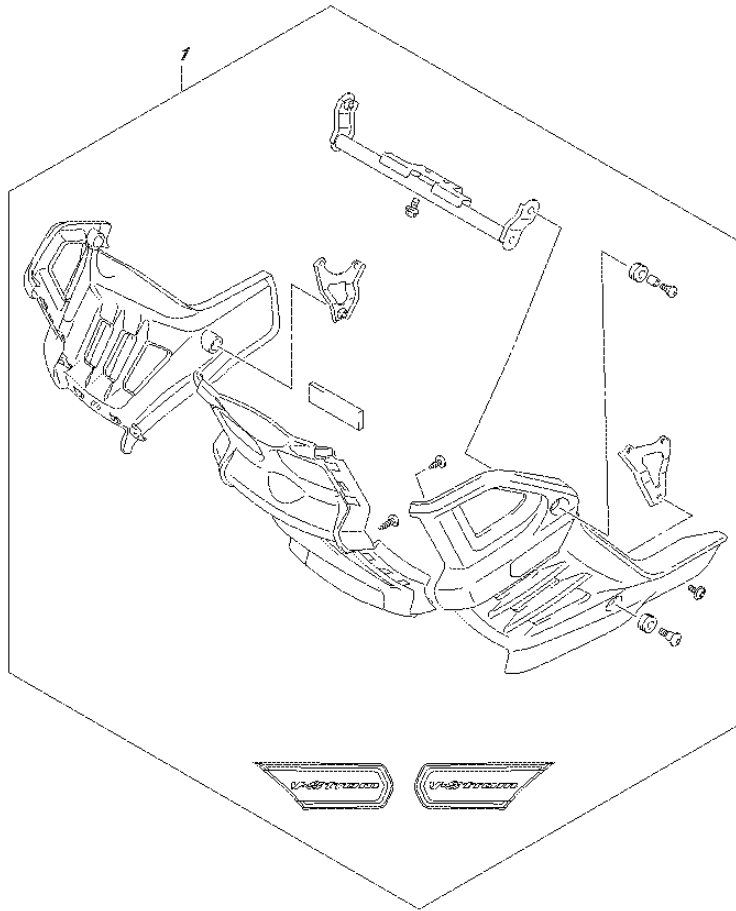


FIG.970H (1-G-13) OPTIONAL (UNDER COWLING SET)

| REF NO. | PART NO.        | DESCRIPTION                | Q'TY | REMARKS |
|---------|-----------------|----------------------------|------|---------|
| 1       | 94400-11820-291 | COWLING SET, UNDER (BLACK) | 1    |         |

| PART NO.        | FIG.NO.-REF.NO. | PART NO.        | FIG.NO.-REF.NO. | PART NO.        | FIG.NO.-REF.NO. |         |
|-----------------|-----------------|-----------------|-----------------|-----------------|-----------------|---------|
| 10000           |                 | 12151-05A00     | 120A-9          | 12892-05C00-200 | 126A-13-17      |         |
|                 |                 | 12160-17G10     | 120A-3          | 12892-05C00-205 | 126A-13-18      |         |
|                 |                 | 12163-24F10     | 120A-4          | 12892-05C00-210 | 126A-13-19      |         |
|                 |                 | 12164-46E01-0A0 | 120A-6-1        | 12892-05C00-215 | 126A-13-20      |         |
|                 |                 | 12164-46E01-0B0 | 120A-6-2        | 12892-05C00-220 | 126A-13-21      |         |
|                 | 11101-44H00     | 104A-1          | 12164-46E01-0C0 | 120A-6-3        | 12911-18H00     | 126A-5  |
|                 | 11103-44H10     | 105A-1          | 12164-46E01-0D0 | 120A-6-4        | 12912-20F00     | 126A-6  |
|                 | 11115-18D72     | 104A-4          | 12220-44H10     | 120A-1          | 12921-44H00     | 126A-7  |
|                 |                 | 105A-4          | 12229-44H00-0A0 | 120A-2-1        | 12931-17E01     | 126A-8  |
|                 | 11117-44H00     | 104A-7          | 12229-44H00-0B0 | 120A-2-2        | 12932-32C00     | 126A-11 |
|                 | 105A-7          | 12229-44H00-0C0 | 120A-2-3        | 12933-17E00     | 126A-9          |         |
| 11141-20F00     | 101A-2          | 12600-06821     | 122A-3          | 13101-17G10     | 104A-13         |         |
|                 | 104A-5          | 12611-27G00     | 122A-1          | 13102-17G10     | 105A-13         |         |
|                 | 105A-5          | 12710-11J00     | 126A-1          | 13268-48700     | 140A-3          |         |
| 11151-27G00     | 104A-25         | 12720-20F00     | 126A-2          | 13269-33E00     | 140A-2          |         |
| 11171-19F20     | 104A-17         | 12730-11J00     | 126A-3          | 13295-29900     | 140A-5          |         |
| 11172-19F20     | 105A-17         | 12731-19F00     | 120A-11         | 13405-11J00     | 140A-1          |         |
| 11173-19F01     | 101A-3          | 12740-20F00     | 126A-4          | 13575-29G00     | 140A-7          |         |
|                 | 104A-18         | 12760-19F01     | 127A-1          | 13580-27G21     | 140A-6          |         |
|                 | 105A-18         | 12771-44H00     | 127A-2          | 13601-11J00     | 140A-16         |         |
| 11191-27E00     | 101A-10         | 12782-19F00     | 127A-3          | 13602-29G00     | 140A-17         |         |
|                 | 104A-21         | 12800-05830     | 126A-14         | 13605-02F00     | 140A-8          |         |
|                 | 105A-21         | 12811-17G00     | 127A-5          | 13606-47A00     | 140A-4          |         |
| 11192-13E00     | 104A-22         | 12812-35C00     | 127A-6          | 13650-41F10     | 155A-16         |         |
|                 | 105A-22         | 12830-27G00     | 127A-8          | 13650-49X00     | 187A-25         |         |
| 11211-44H00-0F0 | 107A-1          | 12830-27G10     | 127A-11         | 13655-41F10     | 155A-17         |         |
| 11221-44H00-0F0 | 107A-2          | 12831-39F00     | 127A-10         | 13683-44H00     | 140A-12         |         |
| 11241-19F10     | 101A-4          |                 | 127A-13         | 13683-44H10     | 140A-13         |         |
|                 | 107A-3          | 12833-17G00     | 127A-14         | 13700-11J01     | 155A-1          |         |
| 11242-19F00     | 101A-5          | 12837-24F10     | 127A-9          | 13740-11J01     | 155A-2          |         |
|                 | 107A-4          |                 | 127A-12         | 13746-06G00     | 155A-9          |         |
| 11301-27870     | 108A-1          | 12837-27G00     | 101A-8          | 13780-27G10     | 155A-8          |         |
| 11323-19F00     | 108A-22         |                 | 127A-15         | 13788-11J00     | 155A-6          |         |
| 11340-44H10     | 112A-1          | 12891-17E00     | 126A-12         | 13826-44H01     | 155A-7          |         |
| 11342-11J00     | 112A-10         | 12892-05C00-120 | 126A-13-1       | 13827-40H01     | 104A-16         |         |
| 11343-44H00     | 112A-8          | 12892-05C00-125 | 126A-13-2       |                 | 105A-16         |         |
| 11344-11J00     | 112A-11         | 12892-05C00-130 | 126A-13-3       | 13850-11J00     | 155A-13         |         |
| 11351-44H00     | 112A-24         | 12892-05C00-135 | 126A-13-4       | 13878-10G00     | 155A-11         |         |
| 11361-44H00     | 112A-14         | 12892-05C00-140 | 126A-13-5       | 13881-27G10     | 155A-4          |         |
| 11371-11J00     | 112A-18         | 12892-05C00-145 | 126A-13-6       | 13882-27G10     | 155A-5          |         |
| 11372-22H00     | 112A-19         | 12892-05C00-150 | 126A-13-7       | 13891-27G01     | 155A-3          |         |
| 11403-44810     | 101A-1          | 12892-05C00-155 | 126A-13-8       | 14150-27G10     | 163A-1          |         |
| 11482-44H00     | 101A-6          | 12892-05C00-160 | 126A-13-9       | 14160-17G10     | 163A-2          |         |
|                 | 112A-3          | 12892-05C00-165 | 126A-13-10      | 14181-22D01     | 101A-9          |         |
| 11483-19F00     | 101A-7          | 12892-05C00-170 | 126A-13-11      |                 | 163A-3          |         |
|                 | 112A-25         | 12892-05C00-175 | 126A-13-12      | 14305-11J00-H01 | 163A-14         |         |
| 11971-25D00     | 112A-6          | 12892-05C00-180 | 126A-13-13      | 14414-06G00     | 163A-19         |         |
| 11971-33210     | 112A-2          | 12892-05C00-185 | 126A-13-14      | 14414-27G00     | 163A-16         |         |
| 12111-44H20-0F0 | 120A-7          | 12892-05C00-190 | 126A-13-15      | 14771-11J00     | 163A-7          |         |
| 12140-15H10     | 120A-8          | 12892-05C00-195 | 126A-13-16      | 14771-32E10     | 163A-4          |         |

| PART NO.        | FIG.NO.-REF.NO. | PART NO.    | FIG.NO.-REF.NO. | PART NO.        | FIG.NO.-REF.NO. |
|-----------------|-----------------|-------------|-----------------|-----------------|-----------------|
| 14781-11J00-YMC | 163A-8          | 17771-11J00 | 185A-12         | 24130-44H10     | 206A-18         |
| 15100-11J01     | 172A-1          | 17781-17G00 | 185A-9          | 24221-20F10     | 206A-4          |
| 15111-27G00     | 172A-3          | 17800-11J00 | 185A-2          | 24231-20F10     | 206A-5          |
| 15112-05H00     | 172A-4          | 17851-11J00 | 187A-1          | 24251-20F02     | 206A-6          |
| 15113-05H00     | 172A-5          | 17852-44H20 | 187A-2          | 24252-19F00     | 206A-7          |
| 15113-35F00     | 172A-6          | 17853-19F00 | 187A-6          | 24252-38A10     | 206A-8          |
| 15114-14J00     | 172A-8          | 17854-44H00 | 187A-3          | 24261-20F00     | 206A-9          |
| 15115-14J00     | 172A-9          | 17856-44H00 | 187A-23         | 24311-44H00     | 206A-19         |
| 15116-10F00     | 172A-11         | 17880-44H00 | 187A-4          | 24321-44H10     | 206A-20         |
| 15119-08J00     | 172A-10         | 17890-06G20 | 187A-7          | 24322-19F10     | 206A-21         |
| 15181-11J00     | 172A-12         | 17900-27810 | 187A-13         | 24331-44H00     | 206A-22         |
| 15201-35F00     | 172A-14         | 17910-27G10 | 187A-10         | 24332-24510     | 206A-23         |
| 15420-05H00     | 172A-2          | 17920-27G10 | 187A-16         |                 | 206A-24         |
| 15610-14J00     | 172A-7          | 17931-02FA0 | 187A-11         | 24341-44H00     | 206A-25         |
| 15710-44H00     | 140A-9          | 17982-15H00 | 187A-14         | 24351-44H10     | 206A-26         |
| 15717-58B00     | 140A-10         | 18213-17G10 | 163A-22         | 24361-44H00     | 206A-27         |
| 15722-29G00     | 140A-11         | 18590-32G00 | 155A-15         | 24741-21A00     | 212A-6          |
| 15731-11J00     | 140A-14         |             |                 | 24751-19F10     | 206A-38         |
| 15732-11J00     | 140A-15         |             |                 | 24881-12C30     | 206A-39         |
| 15810-11J10     | 172A-16         |             |                 | 24885-12C10     | 206A-40         |
| 16321-19F00     | 170A-11         |             |                 | 25211-42E20     | 212A-1          |
| 16331-19F00     | 170A-3          |             |                 | 25221-42E20     | 212A-2          |
| 16400-20F00     | 170A-1          |             |                 | 25231-42E20     | 212A-3          |
| 16438-19F00     | 108A-14         |             |                 | 25310-19F00     | 212A-7          |
| 16440-17C20     | 170A-7          |             |                 | 25312-42F01     | 212A-9          |
| 16461-44H00     | 178A-5          | 21100-44H00 | 120A-13         | 25350-35F00     | 212A-14         |
| 16471-44H00     | 178A-6          | 21200-44860 | 201A-1          | 25355-35F01     | 212A-15         |
| 16510-07J00     | 178A-10         | 21411-44101 | 201A-2          | 25381-19F20     | 212A-10         |
| 16520-32E00     | 170A-8          | 21413-17G10 | 201A-3          | 25411-28D01     | 212A-4          |
| 16523-17G00     | 170A-9          | 21414-29F00 | 201A-4          | 25411-44B00     | 212A-5          |
| 16591-02F00     | 178A-3          | 21441-29F30 | 201A-6          | 25510-19F10     | 212A-18         |
| 16600-44H00     | 178A-1          | 21442-29F10 | 201A-5          | 25512-06G10     | 212A-19         |
| 17400-44H00     | 180A-1          | 21451-28C31 | 201A-7          | 25520-27G00     | 212A-27         |
| 17411-44H00     | 180A-2          | 21462-14301 | 201A-8          | 25525-27G00     | 212A-29         |
| 17415-20920     | 180A-3          | 21471-17G00 | 201A-9          | 25526-47000     | 212A-28         |
| 17418-19F00     | 180A-10         | 21472-17G00 | 201A-10         |                 | 212A-31         |
| 17435-33400     | 180A-11         | 21482-41G10 | 201A-11         | 25600-11J00     | 212A-30         |
| 17451-17G00     | 120A-12         | 23110-44111 | 201A-15         | 25617-03F10     | 212A-33         |
| 17461-44H00     | 180A-16         | 23111-15501 | 201A-16         | 25652-20C00     | 212A-32         |
| 17461-48G00     | 180A-7          | 23121-44H00 | 201A-17         | 25671-01011     | 212A-20         |
| 17470-02F10     | 180A-6          | 23122-44H00 | 201A-18         | 27510-20F00     | 206A-43         |
| 17491-19F40     | 180A-5          | 23123-41G00 | 201A-19         | 27531-19F10     | 206A-46         |
| 17662-02F11     | 187A-19         | 23125-11J00 | 201A-20         | 27600-06G40-120 | 206A-47         |
| 17663-17G00     | 187A-20         | 23271-44H10 | 201A-21         | 27620-06G40     | 206A-48         |
| 17670-06G60     | 187A-21         | 24120-27G00 | 206A-1          |                 |                 |
| 17710-11J00     | 185A-1          | 24127-19F00 | 206A-2          |                 |                 |
| 17711-08J00     | 185A-3          |             | 206A-3          |                 |                 |
| 17712-40F00     | 185A-4          |             | 206A-15         |                 |                 |
| 17730-08J00     | 185A-14         |             | 206A-16         |                 |                 |
| 17741-17G00     | 185A-10         |             | 206A-17         |                 |                 |

30000

| PART NO.        | FIG.NO.-REF.NO. | PART NO.    | FIG.NO.-REF.NO. | PART NO.        | FIG.NO.-REF.NO. |        |
|-----------------|-----------------|-------------|-----------------|-----------------|-----------------|--------|
| 31100-19F10     | 301A-1          | 35612-08J01 | 334A-2          | 40000           |                 |        |
| 31132-18H00     | 301A-2          |             | 334A-16         |                 |                 |        |
| 31143-49040     | 301A-3          | 35629-18G00 | 334A-9          |                 |                 |        |
| 31156-98E00     | 301A-4          | 35632-08J01 | 334A-6          |                 |                 |        |
| 31264-38F10     | 301A-5          |             | 334A-12         |                 |                 |        |
| 31280-19F10     | 301A-6          | 35710-11J01 | 339A-1          |                 | 41100-27G50-YAP | 401A-1 |
| 31800-06G00     | 312A-1          |             | 339C-1          |                 | 41100-27G60-YAP | 401B-1 |
| 31861-47E00     | 312A-2          | 35716-48B21 | 339A-3          |                 | 41200-11J01     | 401A-2 |
| 32101-17G11     | 303A-1          |             | 339C-3          |                 |                 | 401B-2 |
| 32102-17G10     | 303A-2          | 35718-11J01 | 339A-2          |                 | 41911-06G90-YAP | 401A-4 |
| 32371-19F10     | 303A-3          |             | 339C-2          |                 | 401B-4          |        |
| 32800-47H00     | 312A-5          | 35736-48B21 | 339A-4          | 41912-06G90-YAP | 401A-5          |        |
| 32830-11J00     | 312A-6          |             | 339C-4          |                 | 401B-5          |        |
| 32920-11JA0     | 312A-22         | 35765-42E00 | 339A-5          | 41921-16G00     | 401A-9          |        |
| 33410-27G00     | 312A-10         |             | 339C-5          |                 | 401B-9          |        |
| 33420-27G00     | 312A-11         | 35910-41G01 | 339A-10         | 41922-19F20     | 401A-8          |        |
| 33510-17G00     | 312A-16         | 35910-41G31 | 339C-10         |                 | 401B-8          |        |
| 33510-20E00     | 312A-17         | 35912-41G01 | 339A-11         | 41922-33E20     | 401A-10         |        |
| 33541-23E10     | 312A-18         |             | 339C-11         |                 | 401B-10         |        |
| 33541-47D00     | 312A-19         | 35913-41G00 | 339A-12         | 41923-16G00     | 401A-7          |        |
| 33542-17G01     | 312A-20         |             | 339C-12         |                 | 401B-7          |        |
| 33542-38B00     | 312A-21         | 35917-41G00 | 339A-13         | 41941-19F01     | 401A-11         |        |
| 33610-48E21     | 310A-1          |             | 339C-13         |                 | 401B-11         |        |
| 33624-27G00     | 310A-9          | 35927-14J30 | 339C-18         | 42310-06G60     | 407A-1          |        |
| 33652-08420     | 310A-3          | 35950-14A11 | 333C-11         | 42321-03FK0     | 407A-3          |        |
| 33652-16G00     | 310A-2          | 35970-14A20 | 339C-22         | 42330-06G60     | 407A-6          |        |
| 33810-27G21     | 310A-6          | 36610-11JH0 | 350A-1          | 43111-27G00     | 407A-9          |        |
| 33820-27G10     | 310A-8          | 36618-18G10 | 355A-5          | 43130-24A00     | 530A-13         |        |
| 33860-27G10     | 310A-10         | 36618-31J00 | 310A-7          |                 | 530B-11         |        |
| 33960-27G00     | 312A-23         | 36618-47H00 | 350A-7          |                 | 550A-21         |        |
| 34111-11J00     | 330A-4          | 36620-11J02 | 350A-6          |                 | 550B-25         |        |
| 34120-11J02     | 330A-1          | 36654-06J00 | 350A-8          | 43222-73H10     | 530A-14-1       |        |
| 34124-38G00     | 330A-3          | 36711-11J00 | 350A-9          |                 | 550A-22-1       |        |
| 34150-11J00     | 330A-2          | 37000-11851 | 350A-17         | 43224-73H10     | 530A-14-2       |        |
| 34810-11J00     | 172A-13         | 37100-11J11 | 350A-18         |                 | 550A-22-2       |        |
| 34938-14F00     | 533A-17         | 37146-11J00 | 350A-32         | 43226-73H10     | 530A-14-3       |        |
| 34955-13E00     | 481A-15         | 37180-15H01 | 350A-19         |                 | 550A-22-3       |        |
|                 | 481B-15         | 37200-11J10 | 355A-1          | 43501-06G01     | 415A-4          |        |
| 34981-38G01     | 330A-9          | 37400-11J10 | 355A-3          | 43502-06G01     | 415A-10         |        |
| 34990-35F00     | 330A-11         | 37730-44H01 | 212A-39         | 43510-11J00-YAP | 415A-1          |        |
| 35100-11J00-999 | 333A-2          | 37740-45D00 | 350A-22         | 43520-11J00-YAP | 415A-2          |        |
|                 | 333C-2          | 37820-33D10 | 108A-33         | 43551-06G00     | 415A-6          |        |
| 35118-68K00     | 333A-3          | 37822-33D00 | 108A-34         |                 | 415A-12         |        |
|                 | 333C-3          | 37840-06G00 | 350A-24         | 43552-06G00     | 415A-7          |        |
| 35179-58J00     | 333A-4          | 38500-11J00 | 350A-27         |                 | 415A-13         |        |
|                 | 333C-4          | 38610-03F00 | 334A-20         | 43576-07D01     | 415A-5          |        |
| 35601-08J01     | 334A-1          | 38740-24X50 | 350A-30         |                 | 415A-11         |        |
| 35602-08J01     | 334A-5          |             | 350A-31         | 43585-27G10     | 401A-13         |        |
| 35603-08J11     | 334A-11         | 38800-09811 | 970A-1          |                 | 401B-13         |        |
| 35604-08J11     | 334A-15         |             |                 | 43595-27G00     | 401A-14         |        |

| PART NO.        | FIG.NO.-REF.NO. | PART NO.        | FIG.NO.-REF.NO. | PART NO.    | FIG.NO.-REF.NO. |
|-----------------|-----------------|-----------------|-----------------|-------------|-----------------|
|                 |                 |                 | 401B-14         |             | 423A-9          |
| 43610-34A00     | 415A-19         | 44572-37H00     | 333A-6          | 51103-11J00 | 521A-1          |
| 43612-33G01     | 415A-21         |                 | 333C-6          | 51104-11J00 | 521A-25         |
| 43631-34A01     | 415A-22         |                 | 481A-3          | 51110-11J00 | 521A-10         |
| 43710-34A00     | 415A-20         |                 | 481B-3          | 51117-17C00 | 521A-34         |
| 43810-27G10-YAP | 415A-23         | 44572-44G00     | 420A-11         |             | 521A-42         |
| 43820-27G01-YAP | 415A-24         |                 | 423A-4          | 51121-11J00 | 521A-3          |
| 44100-11J00-YKV | 420A-1          |                 | 423A-10         |             | 521A-27         |
| 44154-11J00     | 420A-13         | 45100-11J00-A28 | 505B-1          | 51131-11J00 | 521A-2          |
| 44170-11J00-PGZ | 423A-1-2        | 45100-11J00-KCJ | 505A-1          | 51141-11J00 | 521A-26         |
| 44170-11J00-YMD | 423A-1-4        | 45100-11J50-A28 | 970C-1          | 51146-11J00 | 521A-11         |
| 44170-11J00-YVB | 423A-1-3        | 45100-11J50-KCJ | 970B-1          |             | 521A-35         |
| 44170-11J00-YYG | 423A-1-1        | 45100-11J60-A28 | 970E-1          | 51147-48130 | 521A-23         |
| 44179-11J00     | 420A-23         | 45100-11J60-KCJ | 970D-1          |             | 521A-47         |
| 44180-11J00-PGZ | 423A-7-2        |                 | 505A-2          | 51148-31030 | 521A-24         |
| 44180-11J00-YMD | 423A-7-4        |                 | 505B-2          |             | 521A-48         |
| 44180-11J00-YVB | 423A-7-3        | 45149-31300     | 505A-3          | 51152-47H00 | 521A-8          |
| 44180-11J00-YYG | 423A-7-1        |                 | 505B-3          |             | 521A-32         |
| 44183-23H00     | 420A-26         | 45213-13601     | 505A-5          | 51166-38B40 | 524A-10         |
| 44189-11J00     | 420A-24         |                 | 505B-5          | 51168-17C00 | 521A-7          |
| 44191-11J00     | 423A-15         | 45220-47H00     | 505A-6          |             | 521A-31         |
| 44192-11J00     | 423A-16         |                 | 505B-6          | 51171-11J00 | 521A-14         |
| 44193-11J00     | 423A-14         | 45280-11J00     | 505A-11         |             | 521A-38         |
| 44194-11J00     | 420A-12         |                 | 505B-11         | 51173-27G00 | 521A-4          |
| 44200-16850     | 420A-2          | 45288-14F00     | 505A-7          |             | 521A-28         |
| 44244-11J00     | 420A-3          |                 | 505B-7          | 51176-19C00 | 521A-16         |
| 44277-37H00     | 423A-2          | 45289-11F00     | 505A-9          |             | 521A-40         |
|                 | 423A-8          |                 | 505B-9          | 51177-14D00 | 521A-13         |
| 44278-11J00     | 423A-5          | 45518-16G00     | 474A-7          |             | 521A-37         |
|                 | 423A-11         | 46311-11J00-YKV | 412A-1          | 51185-27G00 | 521A-19         |
| 44423-11J20     | 420A-29         | 46321-11J00     | 412A-2          |             | 521A-43         |
| 44423-11J30     | 420A-30         | 47111-11J02-PGZ | 445A-1-2        | 51186-12C00 | 521A-21         |
| 44424-14J00     | 420A-32         | 47111-11J02-YMD | 445A-1-4        |             | 521A-45         |
| 44511-16G00     | 420A-15         | 47111-11J02-YVB | 445A-1-3        | 51186-17C00 | 521A-15         |
| 44512-16G00     | 420A-16         | 47111-11J02-YYG | 445A-1-1        |             | 521A-39         |
| 44520-11J00     | 420A-17         | 47211-11J02-PGZ | 445A-2-2        | 51187-14D00 | 521A-20         |
| 44530-06G00     | 420A-9          | 47211-11J02-YMD | 445A-2-4        |             | 521A-44         |
| 44541-11J00     | 420A-4          | 47211-11J02-YVB | 445A-2-3        | 51188-32B00 | 521A-22         |
| 44542-06G00     | 420A-8          | 47211-11J02-YYG | 445A-2-1        |             | 521A-46         |
| 44542-11J00     | 420A-20         | 47411-11J00     | 445A-3          | 51189-27G00 | 521A-17         |
| 44543-10G00     | 310A-4          | 47431-27GA0     | 405A-1          |             | 521A-41         |
| 44545-06G00     | 420A-7          | 47511-11J00     | 445A-4          | 51195-27G00 | 521A-9          |
| 44550-06G10     | 420A-5          |                 |                 |             | 521A-33         |
| 44560-11J00     | 420A-19         |                 |                 | 51196-27G00 | 521A-12         |
| 44572-02F01     | 333A-5          |                 |                 |             | 521A-36         |
|                 | 333C-5          |                 |                 | 51311-11J00 | 524A-9          |
|                 | 481A-2          |                 |                 | 51321-10F00 | 524A-14         |
|                 | 481B-2          |                 |                 | 51328-27E30 | 521A-49         |
| 44572-13G00     | 420A-25         | 50000           |                 |             | 524A-8          |
|                 | 423A-3          |                 |                 | 51353-27G00 | 524A-11         |

| PART NO.        | FIG.NO.-REF.NO. | PART NO.        | FIG.NO.-REF.NO. | PART NO.        | FIG.NO.-REF.NO. |
|-----------------|-----------------|-----------------|-----------------|-----------------|-----------------|
| 51354-06G00     | 524A-12         | 57211-21H01     | 467A-7          | 59302-33850     | 535A-28         |
| 51410-27G30     | 524A-1          | 57300-27831-291 | 970G-1          | 59303-14500     | 555A-6          |
| 51553-47H00     | 521A-6          | 57300-44G12     | 467A-2          | 59305-36E00     | 555A-5          |
|                 | 521A-30         | 57431-17H02     | 467A-3          | 59313-36500     | 535A-6          |
| 51556-38B00     | 521A-5          | 57431-45C01     | 467A-10         |                 | 535A-21         |
|                 | 521A-29         | 57441-45C00     | 467A-12         | 59315-33D00     | 535A-19         |
| 51631-33E00     | 524A-5          | 57442-45C00     | 467A-13         | 59350-33D01     | 535A-22         |
| 51641-33E00     | 524A-6          | 57460-14J01     | 467A-5          | 59450-11J00     | 536A-6          |
| 51643-33E00     | 524A-7          | 57465-17C00     | 467A-6          | 59480-11J00     | 536A-7          |
| 51644-12C00     | 524A-2          | 57500-25D01     | 467A-8          | 59540-11J00     | 536A-11         |
| 53111-11J01-291 | 460A-1          | 57560-05A00     | 467A-15         | 59560-11J00     | 536A-12         |
| 53122-06G00     | 460A-3          | 57562-41G01     | 467A-16         | 59600-10G30     | 537A-1          |
| 54111-11J00     | 530B-1          | 57621-40F00     | 467A-9          | 59600-45870     | 537A-2          |
| 54111-27G40-019 | 530A-1          | 57661-33E00     | 467A-17         | 59664-32F00     | 537A-10         |
| 54162-27G00     | 530A-4          | 58200-11J00     | 462A-11         | 59666-44300     | 537A-3          |
|                 | 530B-9          | 58300-11J00     | 462A-15         | 59667-04700     | 558A-15         |
|                 | 550A-7          | 58300-11J10     | 462A-16         | 59667-49460     | 537A-4          |
|                 | 550B-11         | 58631-11J10     | 462A-12         | 59668-41C00     | 537A-5          |
| 54711-08F10     | 530A-6          | 58634-44H00     | 462A-13         | 59669-05D00     | 558A-16         |
|                 | 530B-12         | 59100-04851     | 535A-3          | 59669-10G00     | 537A-6          |
| 54750-31F00     | 530A-7          |                 | 535A-18         | 59671-32F00     | 537A-8          |
|                 | 530B-13         | 59100-33DF1-999 | 535A-1          | 59675-02FA0     | 537A-9          |
| 54751-10G01     | 530A-8          | 59102-33870     | 535A-13         |                 |                 |
|                 | 530B-14         | 59112-44B00     | 535A-5          |                 |                 |
| 55110-06G11     | 530A-12         |                 | 535A-20         |                 |                 |
|                 | 530B-17         | 59115-33D00     | 535A-4          |                 |                 |
| 55156-66310     | 535A-10         | 59116-33D00     | 535A-8          |                 |                 |
|                 | 535A-25         |                 | 535A-23         |                 |                 |
| 55311-11J00     | 530B-5          | 59121-01A00     | 555A-12         |                 |                 |
| 55321-11J00     | 530B-6          | 59121-18410     | 535A-9          |                 |                 |
| 55322-11J00     | 530B-7          |                 | 535A-24         |                 |                 |
| 55326-11J00     | 530B-8          | 59122-46H00     | 555A-13         | 61000-27G30-YAP | 541A-1          |
|                 | 550B-5          | 59141-44B01     | 535A-11         | 61196-06G00     | 558A-29         |
| 55411-11J00     | 530B-18         |                 | 535A-26         | 61196-27G10     | 558A-28         |
|                 | 550B-26         | 59146-21E10     | 555A-8          | 61211-06G00     | 541A-6          |
|                 | 533A-1          | 59150-33D01     | 535A-7          | 61214-19F10     | 541A-7          |
| 55610-11J01     | 533A-2          | 59171-33D00     | 535A-14         | 61251-31E00     | 541A-5          |
| 55660-11J00     | 533A-8          |                 | 535A-29         | 61273-27G00     | 541A-9          |
| 55667-27G10     | 533A-8          |                 | 535A-29         | 61310-16G00     | 541A-19         |
| 55710-11J00     | 533A-11         | 59172-33D00     | 535A-15         | 61410-03F00     | 541A-12         |
| 56111-11J02-YUS | 462A-1          |                 | 535A-30         | 61421-33D01     | 541A-13         |
| 56200-16842     | 462A-2          | 59210-44G11     | 530A-10         | 61422-33D01     | 541A-14         |
| 56211-06G40     | 524A-13         |                 | 530B-15         | 62100-06GG0-019 | 543A-17         |
| 56272-06G00     | 462A-4          | 59240-11J00     | 536A-1          | 62600-06870     | 543A-1          |
| 56272-10G00     | 462A-7          | 59250-11J00     | 536A-2          | 62621-19D00     | 543A-9          |
| 56273-10G10     | 462A-8          | 59260-06G10     | 536A-3          |                 | 543A-14         |
| 56276-17D00     | 462A-5          | 59260-11J00     | 536A-4          | 62641-06G00     | 543A-13         |
| 56500-04F30     | 462A-9          | 59268-11J00     | 536A-5          | 62658-19F00     | 543A-5          |
| 56600-04F30     | 462A-10         | 59300-01820     | 535A-2          | 62684-12C00     | 543A-6          |
| 57100-27832     | 970F-1          |                 | 535A-17         | 62684-40A10     | 543A-12         |
| 57110-21H02     | 467A-1          | 59300-33DF1-999 | 535A-16         | 63111-11J11     | 474A-1          |

60000

| PART NO.        | FIG.NO.-REF.NO. | PART NO.        | FIG.NO.-REF.NO. | PART NO.        | FIG.NO.-REF.NO. |
|-----------------|-----------------|-----------------|-----------------|-----------------|-----------------|
| 63112-11J00-291 | 474A-3          | 69141-40F00     | 555A-7          |                 | 481B-4          |
| 63115-37H00     | 445A-5          | 69142-45000     | 535A-12         |                 | 481B-29         |
| 63121-11J00     | 474A-8          |                 | 535A-27         | 94460-11J00-YMC | 481B-28         |
| 64111-06G20-019 | 550A-1          | 69150-27G00     | 555A-14         | 94461-11J00     | 481A-28         |
| 64111-11J00     | 550B-1          | 69182-04F00     | 555A-9          | 94462-11J01     | 485A-7          |
| 64511-27G00     | 550A-18         | 69185-04F00     | 555A-10         | 94463-11J01     | 485A-8          |
|                 | 550B-22         | 69186-04F00     | 555A-11         | 94465-11J00     | 481B-30         |
| 64610-35F40     | 550A-5          | 69200-11J10     | 558A-24         | 94510-11J01     | 481A-14         |
|                 | 550B-9          | 69211-06G10     | 550A-2          |                 | 481B-14         |
| 64651-35F10     | 550A-6          |                 | 550B-6          | 94611-11J00     | 481A-20         |
|                 | 550B-10         | 69260-11J00     | 558A-31         |                 | 481B-20         |
| 64711-03F00     | 550A-9          | 69266-27G00     | 558A-32         | 94612-31F00     | 481A-8          |
|                 | 550B-13         | 69400-11J00     | 558A-25         |                 | 481B-8          |
| 64712-03F00     | 541A-15         | 69600-06G00     | 558A-1          | 94631-11J00     | 481A-24         |
| 64713-03F00     | 541A-16         | 69600-34820     | 558A-2          |                 | 481B-24         |
| 64733-06G00     | 550A-10         | 69641-06G00     | 558A-35         | 95643-58J00     | 330A-8          |
|                 | 550B-14         | 69670-03G00     | 558A-5          | 95700-14810     | 505A-8          |
| 64741-10F00     | 550A-4          | 69672-00B20     | 558A-7          |                 | 505B-8          |
|                 | 550B-8          | 69674-00B20     | 558A-9          | 99000-25030     | 901A-5          |
| 64751-27G00     | 550A-11         | 69686-34200     | 558A-8          | 99000-25110     | 901A-1          |
|                 | 550B-15         | 69689-04A00     | 558A-17         | 99000-25140     | 901A-6          |
| 65110-06G11     | 550A-20         | 69689-49300     | 537A-7          | 99000-31110     | 901A-4-2        |
|                 | 550B-24         | 69691-00A00     | 558A-3          | 99000-31140     | 901A-4-1        |
| 65311-11J00     | 550B-2          | 69692-19A00     | 558A-4          | 99000-32020     | 901A-2-1        |
| 65321-11J00     | 550B-3          | 69693-05A00     | 558A-6          | 99000-32030     | 901A-2-2        |
| 65322-11J00     | 550B-4          | 69730-27G00     | 558A-21         | 99000-32040     | 901A-3          |
| 65710-11J00     | 533A-13         | 69740-01D02     | 558A-14         | 99000-32050     | 901A-2-3        |
| 68111-47HA0     | 423A-6          | 69750-27G20     | 558A-19         | 99000-32100     | 901A-2-4        |
|                 | 423A-12         |                 |                 | 99000-32130     | 901A-2-5        |
| 68151-44G00-12Y | 445A-16-1       |                 |                 | 99000-69491     | 126A-15         |
| 68151-44G10-A79 | 445A-16-2       |                 |                 | 99011-11J64-01A | 496A-3-1        |
| 68241-11J01     | 420A-22         |                 |                 | 99011-11J64-029 | 496A-3-2        |
| 68281-47HA0     | 423A-17         |                 |                 | 99011-11J64-068 | 496A-3-3        |
| 68319-49J00     | 496A-1-1        |                 |                 |                 |                 |
| 68319-49J50     | 496A-1-2        |                 |                 |                 |                 |
| 68319-49JG0     | 496A-1-3        | 94400-11820-291 | 970H-1          |                 |                 |
| 68332-11J70     | 496A-2-2        | 94410-11J00-PGZ | 481A-1-2        |                 |                 |
| 68332-11J80     | 496A-2-3        |                 |                 |                 |                 |
| 68332-11JA0     | 496A-2-1        | 94410-11J00-YMD | 481A-1-4        |                 |                 |
| 68391-06G50     | 412A-5-2        |                 |                 |                 |                 |
| 68391-06G60     | 412A-5-3        | 94410-11J00-YVB | 481A-1-3        |                 |                 |
| 68391-06G80     | 412A-5-1        |                 |                 |                 |                 |
| 69100-04810     | 555A-2          | 94410-11J00-YYG | 481A-1-1        | 01421-0625B     | 107A-7          |
| 69100-04820     | 555A-3          |                 |                 | 01500-0612A     | 206A-41         |
| 69100-06830     | 555A-15         | 94414-11J00     | 481A-7          | 01547-0512B     | 350A-21         |
| 69100-27G10-999 | 555A-1          |                 |                 | 01547-0610A     | 108A-24         |
| 69115-06G00     | 555A-4          | 94421-11J00     | 485A-1          | 01547-0610B     | 558A-33         |
| 69132-06G00     | 555A-16         | 94423-10G00     | 445A-6          | 01547-0612A     | 108A-23         |
| 69133-06G00     | 555A-17         | 94431-11J00     | 485A-2          |                 |                 |
| 69134-06G00     | 555A-18         | 94443-06G00     | 481A-4          |                 |                 |

90000

00000

| PART NO.    | FIG.NO.-REF.NO. | PART NO.    | FIG.NO.-REF.NO. | PART NO.    | FIG.NO.-REF.NO. |         |
|-------------|-----------------|-------------|-----------------|-------------|-----------------|---------|
| 01547-0616A | 558A-20         | 03211-0414B | 334A-4          | 08310-00067 | 212A-34         |         |
|             | 558A-34         |             | 334A-8          | 08310-0006A | 201A-32         |         |
|             | 187A-22         |             | 334A-14         | 08316-1005A | 334A-10         |         |
|             | 536A-10         |             | 334A-18         |             | 339C-23         |         |
| 01547-0620A | 112A-15         | 03211-0416A | 339A-15         | 08316-1006A | 339C-21         |         |
|             | 201A-31         |             | 339C-15         |             | 350A-29         |         |
| 01547-0620B | 212A-36         | 03241-0512A | 481A-13         | 08316-1006B | 107A-6          |         |
|             | 467A-14         |             | 481B-13         | 08319-2106A | 467A-4          |         |
|             | 301A-7          |             | 485A-9          |             | 467A-11         |         |
| 01547-0625A | 312A-15         | 03511-0516A | 155A-18         | 08319-3105A | 334A-19         |         |
|             | 112A-16         |             | 03541-0416A     | 445A-15     | 08319-3110A     | 108A-32 |
| 01547-0650A | 108A-3          | 03541-0516A | 330A-7          |             | 550A-19         |         |
| 01550-0610A | 187A-17         |             | 405A-3          |             | 550B-23         |         |
| 01550-0612A | 104A-10         |             | 485A-10         | 08319-3118A | 541A-8          |         |
| 01550-0616A | 105A-10         | 03541-0616A | 339A-8          |             | 550A-12         |         |
|             | 185A-11         |             | 339C-8          |             | 550B-16         |         |
|             | 420A-21         | 04111-2015A | 558A-13         | 08322-0105A | 333C-13         |         |
|             | 533A-3          | 04211-09129 | 112A-17         | 08322-0106B | 474A-9          |         |
|             | 350A-26         | 04211-09149 | 112A-4          |             | 558A-12         |         |
|             | 543A-22         |             | 112A-26         | 08331-31109 | 170A-6          |         |
|             | 420A-18         | 04211-13189 | 104A-6          |             | 180A-15         |         |
|             | 01550-0812A     |             | 105A-6          | 08331-3112A | 212A-38         |         |
|             | 420A-6          |             | 107A-5          | 08331-3114A | 212A-26         |         |
|             | 01550-0816A     |             | 120A-5          | 08331-3118A | 407A-12         |         |
| 01550-0820A | 533A-12         | 04221-04089 | 212A-8          | 08331-31383 | 170A-13         |         |
|             | 533A-14         |             | 330A-12         | 08332-1104A | 415A-27         |         |
|             | 481A-19         |             | 07120-0512B     | 172A-15     | 08332-1106B     | 415A-18 |
|             | 481B-19         |             | 07120-0612A     | 420A-28     | 08332-1108A     | 180A-9  |
| 01550-0835A | 420A-10         |             | 08361-3506A     | 301A-8      |                 |         |
| 01550-1025A | 535A-31         | 07120-0640A | 104A-8          |             | 407A-7          |         |
| 02112-0510A | 180A-12         |             | 105A-9          | 09100-12084 | 407A-7          |         |
| 02112-0530B | 355A-2          | 07120-0855A | 108A-4          | 09103-06103 | 104A-9          |         |
| 02112-0535B | 355A-4          | 07120-0880A | 108A-5          |             | 105A-8          |         |
| 02112-0612A | 206A-42         | 07130-0512A | 303A-6          | 09103-06174 | 112A-12         |         |
| 02122-0616B | 212A-13         |             | 530A-5          | 09103-06214 | 112A-5          |         |
|             | 104A-15         |             | 530B-10         |             | 112A-27         |         |
|             | 105A-15         |             | 550A-8          | 09103-06225 | 180A-13         |         |
| 02122-0630A | 505A-10         | 07130-0612A | 550B-12         | 09103-06239 | 112A-28         |         |
|             | 505B-10         |             | 127A-4          | 09103-06266 | 104A-3          |         |
| 02142-0510A | 558A-30         |             | 170A-10         |             | 105A-3          |         |
| 02142-0516B | 415A-8          |             | 187A-9          | 09103-08358 | 163A-15         |         |
|             | 415A-14         | 07130-0625A | 127A-16         | 09103-08365 | 163A-5          |         |
| 02142-0520B | 415A-9          |             | 170A-2          | 09103-08512 | 412A-3          |         |
|             | 415A-15         | 07130-0635A | 303A-7          | 09103-10033 | 543A-18         |         |
| 02142-0616A | 339C-20         | 07130-0825A | 330A-10         | 09103-10143 | 543A-19         |         |
| 02162-0610A | 312A-8          | 08123-62047 | 550A-16         | 09103-10205 | 108A-28         |         |
| 02162-0616A | 312A-7          |             | 550B-20         | 09103-10338 | 120A-14         |         |
|             | 312A-9          | 08133-62037 | 530A-2          | 09103-10347 | 108A-29         |         |
| 03141-0516A | 155A-10         |             | 530B-3          | 09103-10379 | 401A-3          |         |
| 03211-0412A | 339A-7          | 08211-06141 | 212A-17         |             | 401B-3          |         |
|             | 339C-7          | 08211-06181 | 127A-7          | 09103-12004 | 303A-4          |         |

| PART NO.        | FIG.NO.-REF.NO. | PART NO.    | FIG.NO.-REF.NO. | PART NO.    | FIG.NO.-REF.NO. |
|-----------------|-----------------|-------------|-----------------|-------------|-----------------|
| 09103-12054     | 108A-30         | 09139-06028 | 112A-20         | 09160-20067 | 201A-13         |
| 09106-05023     | 212A-42         | 09139-06029 | 558A-10         | 09161-10009 | 536A-13         |
| 09106-06075     | 108A-15         | 09139-06051 | 485A-3          |             | 558A-27         |
| 09106-06098     | 112A-9          | 09139-06083 | 541A-20         | 09164-08015 | 524A-15         |
| 09106-06122     | 460A-4          | 09139-06105 | 112A-21         |             | 541A-18         |
| 09106-07009     | 104A-19         | 09139-06120 | 481A-26         | 09167-20006 | 201A-14         |
| 09106-07010     | 105A-19         |             | 481B-26         | 09167-25013 | 206A-28         |
|                 | 104A-20         | 09139-06126 | 163A-9          | 09167-25021 | 206A-10         |
|                 | 105A-20         |             | 481A-18         |             | 206A-29         |
| 09106-08074     | 415A-25         |             | 481B-18         |             | 206A-30         |
| 09106-08119     | 541A-17         | 09139-06140 | 474A-4          | 09167-25028 | 206A-45         |
| 09106-08150     | 415A-3          | 09139-06144 | 485A-4          | 09168-06023 | 104A-11         |
| 09106-08160     | 530A-11         | 09139-06158 | 460A-2          |             | 105A-11         |
|                 | 530B-16         | 09139-06179 | 445A-8          |             | 108A-25         |
| 09106-08165     | 550A-3          | 09139-06192 | 420A-14         |             | 112A-13         |
|                 | 550B-7          | 09139-08023 | 122A-4          |             | 112A-29         |
|                 | 163A-6          | 09140-06025 | 212A-37         | 09168-08016 | 108A-19         |
|                 | 401A-12         | 09140-20001 | 201A-12         |             | 180A-4          |
| 09106-08168     | 401B-12         | 09148-05052 | 330A-6          | 09168-12002 | 108A-13         |
|                 | 401A-6          |             | 445A-9          | 09168-12017 | 108A-27         |
| 09111-06041     | 212A-16         |             | 481A-9          |             | 187A-26         |
| 09111-06066     | 533A-9          |             | 481B-9          | 09168-16002 | 108A-21         |
| 09111-06085     | 187A-12         | 09148-06020 | 485A-5          |             | 112A-33         |
| 09111-06106     | 405A-2          |             | 481A-10         | 09169-06062 | 112A-22         |
| 09111-10058     | 407A-2          |             | 481B-10         | 09169-08049 | 412A-4          |
| 09116-06152     | 541A-10         | 09159-05019 | 485A-6          | 09169-25001 | 206A-31         |
| 09116-06171     | 533A-4          |             | 481A-23         | 09180-06263 | 339A-16         |
| 09116-06176     | 533A-5          | 09159-06096 | 481B-23         | 09180-06278 | 339C-16         |
| 09116-06181     | 474A-2          |             | 339A-17         | 09180-06283 | 541A-11         |
| 09118-06017     | 350A-28         | 09159-10115 | 339C-17         | 09180-06296 | 533A-6          |
| 09118-06097     | 185A-8          | 09159-10115 | 543A-20         | 09180-06310 | 185A-7          |
| 09118-08152-A05 | 163A-11         | 09159-12054 | 108A-31         | 09180-08152 | 163A-12         |
| 09119-05023     | 333C-12         | 09159-12056 | 543A-8          | 09180-08156 | 163A-17         |
| 09119-08100     | 350A-20         |             | 543A-11         | 09180-12122 | 543A-10         |
| 09125-05042     | 462A-17         |             | 543A-16         |             | 543A-15         |
| 09127-06018     | 462A-3          | 09159-20004 | 206A-44         | 09180-17067 | 530A-9          |
| 09128-06013     | 312A-4          | 09160-05048 | 481A-22         |             | 530B-2          |
| 09132-03008     | 330A-5          |             | 481B-22         | 09180-20112 | 550A-13         |
| 09134-06015     | 201A-22         | 09160-06077 | 339C-19         |             | 550B-17         |
| 09136-05062     | 333A-1          | 09160-06131 | 462A-6          | 09180-20118 | 541A-2          |
|                 | 333C-1          | 09160-06156 | 474A-5          | 09181-10158 | 170A-4          |
| 09139-05032     | 481A-21         | 09160-08146 | 163A-20         |             | 180A-17         |
|                 | 481B-21         | 09160-10020 | 201A-23         | 09181-14167 | 212A-22         |
| 09139-05064     | 423A-13         | 09160-12011 | 212A-35         | 09181-17195 | 206A-32         |
|                 | 481A-6          | 09160-12036 | 303A-5          | 09181-20195 | 206A-33         |
|                 | 481B-6          | 09160-12037 | 543A-7          | 09181-25160 | 178A-4          |
| 09139-05074     | 445A-7          | 09160-12061 | 407A-8          | 09181-25167 | 206A-11         |
|                 | 481A-25         | 09160-14016 | 212A-21         | 09200-06068 | 558A-11         |
|                 | 481B-25         | 09160-15045 | 201A-24         | 09206-08001 | 104A-2          |
|                 |                 | 09160-18022 | 407A-10         |             | 105A-2          |

| PART NO.    | FIG.NO.-REF.NO. | PART NO.        | FIG.NO.-REF.NO. | PART NO.        | FIG.NO.-REF.NO. |
|-------------|-----------------|-----------------|-----------------|-----------------|-----------------|
| 09206-11007 | 108A-2          |                 | 105A-14         | 09380-25012     | 206A-14         |
| 09206-12006 | 122A-2          | 09280-55002     | 178A-2          | 09381-20004     | 120A-10         |
| 09208-06008 | 415A-26         | 09280-63003     | 405A-4          | 09401-08411     | 187A-15         |
| 09208-08010 | 415A-16         | 09282-10012     | 201A-28         | 09401-12404     | 558A-23         |
| 09247-12006 | 108A-26         | 09282-24004     | 530A-3          | 09401-12414     | 187A-24         |
| 09247-12011 | 108A-12         |                 | 530B-4          | 09401-13417     | 558A-22         |
| 09248-16012 | 108A-20         | 09283-06008     | 201A-29         | 09401-14301     | 155A-12         |
|             | 112A-32         | 09283-14005     | 212A-23         | 09401-16407     | 178A-7          |
| 09250-06011 | 524A-16         | 09283-36011     | 206A-35         | 09401-16409     | 178A-8          |
| 09250-10010 | 481A-11         | 09285-10004     | 201A-30         | 09401-20405     | 155A-14         |
|             | 481B-11         | 09285-28001     | 550A-17         | 09402-28513     | 187A-27         |
| 09251-04003 | 401A-15         |                 | 550B-21         | 09402-35501     | 187A-5          |
|             | 401B-15         | 09285-39001     | 550A-15         | 09403-07334     | 536A-17         |
| 09259-26011 | 112A-30         |                 | 550B-19         | 09403-10313     | 543A-21         |
| 09261-04001 | 170A-5          | 09289-04002     | 126A-10         | 09403-10319     | 312A-12         |
| 09261-04002 | 180A-18         | 09300-20032     | 206A-36         | 09403-16412     | 536A-8          |
| 09261-06002 | 170A-12         | 09320-06504     | 423A-18         | 09403-26401     | 350A-10         |
| 09262-10014 | 180A-8          | 09320-08028     | 333A-7          | 09404-06429     | 108A-35         |
| 09262-17023 | 206A-37         |                 | 333C-7          |                 | 187A-18         |
| 09262-17046 | 206A-12         |                 | 445A-10         |                 | 312A-14         |
| 09262-20145 | 206A-13         |                 | 481A-16         |                 | 339A-9          |
| 09262-25006 | 212A-11         |                 | 481B-16         |                 | 339C-9          |
| 09262-25125 | 206A-34         | 09320-08070     | 163A-10         |                 | 350A-11         |
| 09262-32022 | 550A-14         | 09320-09016     | 112A-23         |                 | 350A-25         |
|             | 550B-18         |                 | 445A-11         | 09404-06433     | 108A-36         |
| 09263-10014 | 201A-25         |                 | 481A-17         |                 | 350A-12         |
| 09263-12027 | 201A-26         |                 | 481B-17         |                 | 420A-37         |
| 09263-15003 | 201A-27         | 09320-09039     | 333A-8          | 09404-08419     | 212A-41         |
| 09263-17034 | 543A-4          |                 | 333C-8          | 09407-14403     | 350A-13         |
| 09263-17037 | 541A-4          | 09320-10061     | 533A-7          | 09407-14407     | 163A-23         |
|             | 543A-3          | 09320-10501     | 185A-5          |                 | 350A-16         |
| 09263-20073 | 543A-2          | 09320-12048     | 163A-13         |                 | 355A-6          |
| 09263-25018 | 212A-12         | 09320-12049     | 163A-18         |                 | 533A-15         |
| 09263-25059 | 541A-3          | 09320-20010     | 445A-12         | 09407-14408     | 350A-14         |
| 09267-30010 | 524A-3          | 09321-10001     | 445A-13         | 09407-18402     | 312A-13         |
|             | 524A-4          | 09321-10012     | 505A-4          |                 | 350A-15         |
| 09280-04004 | 104A-24         |                 | 505B-4          | 09408-00266     | 533A-16         |
|             | 105A-24         | 09321-10018     | 163A-21         | 09408-00267     | 178A-9          |
|             | 108A-7          | 09329-18001     | 185A-6          | 09409-06314-5PK | 185A-13         |
|             | 108A-9          |                 | 420A-27         |                 | 445A-14         |
|             | 108A-16         | 09352-12163-600 | 420A-35         |                 | 474A-6          |
| 09280-12009 | 108A-10         | 09352-35653-600 | 180A-19         | 09409-06329     | 481A-12         |
| 09280-15007 | 108A-11         | 09352-50823-00B | 420A-33         |                 | 481A-27         |
| 09280-17003 | 112A-7          | 09352-50823-600 | 420A-34         |                 | 481A-29         |
| 09280-18008 | 187A-8          | 09360-10062     | 536A-14         |                 | 481B-12         |
| 09280-22001 | 180A-14         |                 | 536A-15         |                 | 481B-27         |
| 09280-22008 | 112A-31         |                 | 558A-26         |                 | 481B-31         |
| 09280-24010 | 206A-49         | 09360-10064     | 536A-16         | 09409-08308-5ES | 533A-10         |
| 09280-26005 | 212A-40         | 09367-06007     | 420A-36         | 09409-08326     | 481A-5          |
| 09280-46006 | 104A-14         | 09367-08005     | 420A-31         |                 | 481B-5          |

| PART NO.    | FIG.NO.-REF.NO. | PART NO. | FIG.NO.-REF.NO. | PART NO. | FIG.NO.-REF.NO. |
|-------------|-----------------|----------|-----------------|----------|-----------------|
| 09420-04008 | 303A-8          |          |                 |          |                 |
| 09440-17009 | 212A-24         |          |                 |          |                 |
| 09443-06012 | 350A-23         |          |                 |          |                 |
| 09443-14058 | 407A-4          |          |                 |          |                 |
| 09443-19011 | 407A-5          |          |                 |          |                 |
| 09444-20001 | 212A-25         |          |                 |          |                 |
| 09448-18022 | 415A-17         |          |                 |          |                 |
| 09448-41005 | 407A-11         |          |                 |          |                 |
| 09462-00007 | 310A-5          |          |                 |          |                 |
| 09471-12045 | 334A-3          |          |                 |          |                 |
|             | 334A-7          |          |                 |          |                 |
|             | 334A-13         |          |                 |          |                 |
|             | 334A-17         |          |                 |          |                 |
| 09471-12083 | 339A-6          |          |                 |          |                 |
|             | 339C-6          |          |                 |          |                 |
| 09471-12140 | 339A-14         |          |                 |          |                 |
|             | 339C-14         |          |                 |          |                 |
| 09471-12182 | 333A-9          |          |                 |          |                 |
|             | 333C-9          |          |                 |          |                 |
| 09471-12216 | 333A-10         |          |                 |          |                 |
|             | 333C-10         |          |                 |          |                 |
| 09481-10501 | 350A-2          |          |                 |          |                 |
| 09481-15101 | 350A-4          |          |                 |          |                 |
| 09481-15501 | 350A-3          |          |                 |          |                 |
| 09481-25103 | 350A-5          |          |                 |          |                 |
| 09481-30101 | 312A-3          |          |                 |          |                 |
| 09482-00554 | 104A-12-5       |          |                 |          |                 |
|             | 105A-12-5       |          |                 |          |                 |
| 09482-00555 | 104A-12-2       |          |                 |          |                 |
|             | 105A-12-2       |          |                 |          |                 |
| 09482-00556 | 104A-12-1       |          |                 |          |                 |
|             | 105A-12-1       |          |                 |          |                 |
| 09482-00557 | 104A-12-4       |          |                 |          |                 |
|             | 105A-12-4       |          |                 |          |                 |
| 09482-00558 | 104A-12-3       |          |                 |          |                 |
|             | 105A-12-3       |          |                 |          |                 |
| 09493-26007 | 108A-17         |          |                 |          |                 |
| 09493-28010 | 108A-6          |          |                 |          |                 |
| 09493-36004 | 108A-8          |          |                 |          |                 |
| 09493-80005 | 104A-23         |          |                 |          |                 |
|             | 105A-23         |          |                 |          |                 |
| 09800-21055 | 405A-5          |          |                 |          |                 |
| 09816-00059 | 405A-6          |          |                 |          |                 |
| 09816-00149 | 405A-7          |          |                 |          |                 |
| 09817-00035 | 405A-8          |          |                 |          |                 |
| 09817-00039 | 405A-9          |          |                 |          |                 |

## **SUZUKI DL650A/XAL6 PARTS CATALOGUE**

---

SUZUKI MOTOR CORPORATION All rights reserved

No part of this document may be reproduced or transmitted in any form or by any means, electronic or mechanical, for any purpose, without the express written permission of Suzuki Motor Corporation.

SUZUKI MOTOR CORPORATION

Technical Readiness Group, Quality Administration Department  
300 Takatsuka, Minami, Hamamatsu, Japan

---

Reprint Prohibited



**SUZUKI MOTOR CORPORATION**

PRINTED IN JAPAN

**9900B-31125-000**