



SUZUKI PARTS CATALOGUE

UN125

Aveniris 125

PREFACE

When it becomes necessary to replace parts on SUZUKI MOTORCYCLES, always use SUZUKI GENUINE PARTS which have passed a strict inspection which guarantees quality and performance.

This parts catalogue covers the list of all service parts for SUZUKI UN125NEM4, UN125NEZM4.

INSTRUCTIONS FOR QUOTING THE CATALOGUE

1. DIMENSIONS

Dimensions of the parts in this catalogue are indicated in unit millimeters.

2. ABBREVIATIONS

Abbreviations used in this catalogue are as follows:

AR	: As required	NT	: Number of teeth
ASSY	: Assembly	OPT	: Optional
E. NO.	: Engine number	OS	: Over size
F. NO.	: Frame number	STD	: Standard
D	: Diameter of material	T	: Thickness
ID	: Inside diameter	US	: Under size
OD	: Outside diameter	W	: Width
L	: Length		
LH	: Left hand side		
RH	: Right hand side		
~100045	: Up to F. NO. A100-100045		
100046~	: From F. NO. A100-100046		
12 x 34 x 5.6 Figures in the description column		
	show the dimensions of parts.		
ID OD T	(or W, L)		

→12345-56781 (Parts No.) : indicates that the parts number was changed to 12345-56781 and the new parts are interchangeable with the former ones but the former ones are not interchangeable with new ones.

←12345-56781 (Parts No.) : indicates that the former and new parts are interchangeable with each other and both are usable.

3. INNER PARTS OF ASSEMBLY

Part name with a dot (.) in front as shown in the description column indicates the component of the assembly also available individually.

4. MODIFICATION NOTICE

A parts bulletin will be sent to you on all occasions when changes in parts occur, including interchangeable modifications between new parts and old ones.

5. NOTE

5-1. There are some different parts from those of production models among spare parts for the administrative reasons and common use of them with other models.

5-2. In respect of rubber hoses and vinyl tubes, please be sure to use them by cutting off according to the length mentioned on parts catalogue or what is actually required on the vehicle.

5-3. Note that the drawings on the illustration page are for ready reference of spare parts number, not to be used as an assembly manual.
When assembling, use "SUZUKI SERVICE MANUAL".

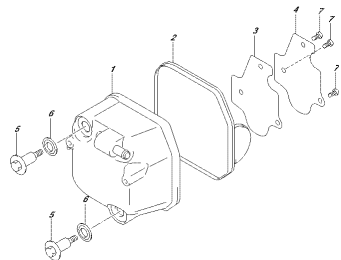
6. SPECIFICATION CODE

This catalogue contains the parts for the model designed for the following spec. ;
spec. code : P08.

7. SERIAL FRAME NUMBER

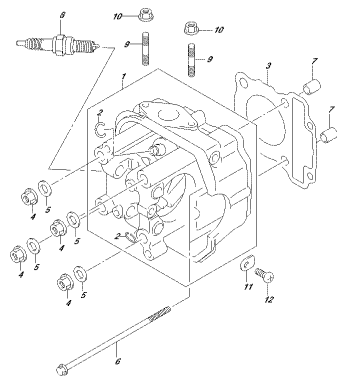
UN125NEM4 :
UN125NEZM4 :

FIG. 102A



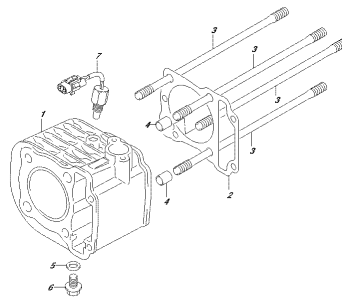
LV158M/PRE_102M
CYLINDERHEAD COVER

FIG. 103A



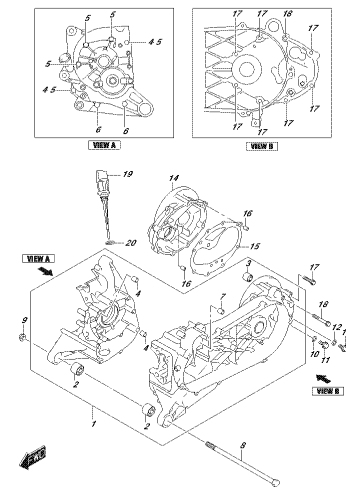
LV158M/PRE_103M
CYLINDERHEAD

FIG. 107A



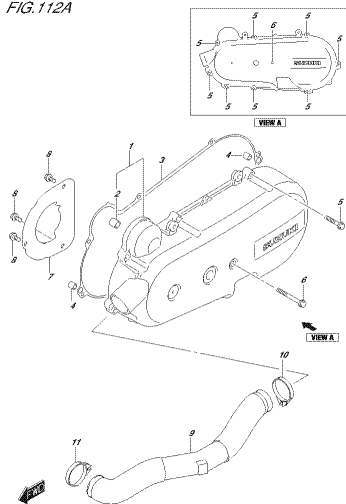
LV158M/PRE_107M
CYLINDER

FIG. 108A



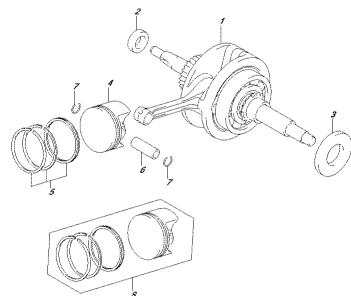
LV158M/PRE_108M
CYLINDERHEAD

FIG. 112A



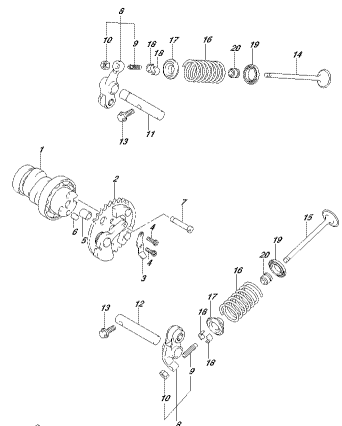
LV158M/PRE_112M
CRANKCASE COVER

FIG. 120A



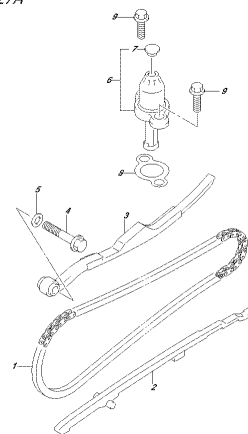
LV158M/PRE_120M
CRANKSHAFT

FIG. 126A



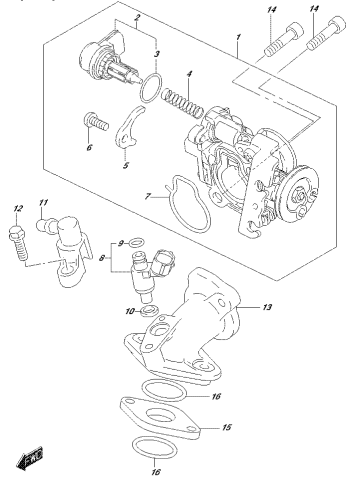
LV158M/PRE_126M
CRANKSHAFT/PISTON

FIG. 127A



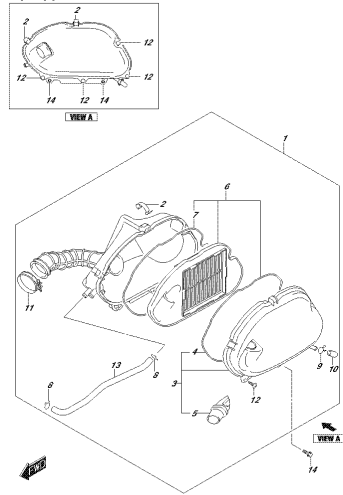
LV158M/PRE_127M
CRANKSHAFT

FIG.140A



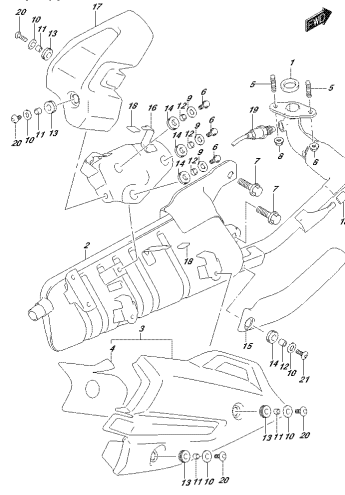
LOV158M4_PFE_1634
FRIGOTELC 2021

FIG.155A



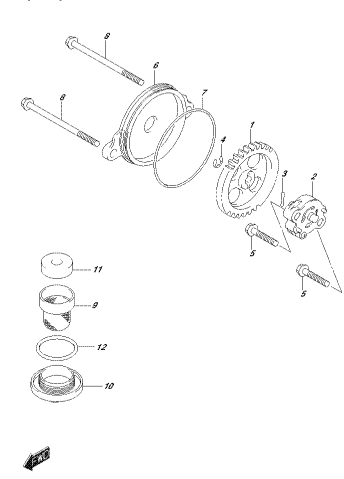
LOV158M4_PFE_1554
MFC CLEANER

FIG.163A



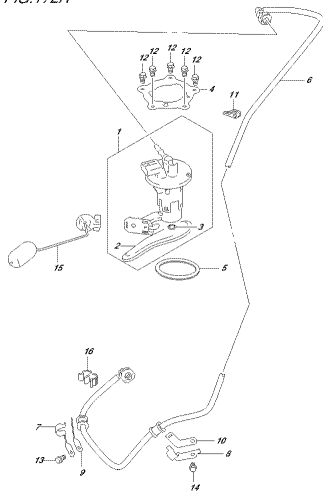
LOV158M4_PFE_1634
MUFFLER

FIG.170A



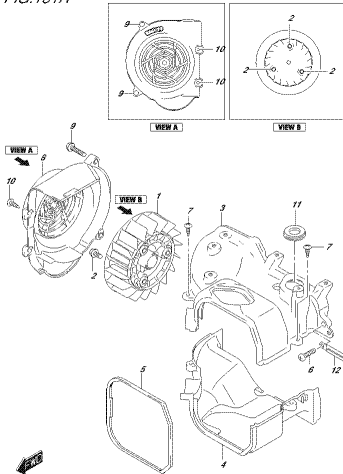
LOV158M4_PFE_1704
OIL PUMP

FIG.172A



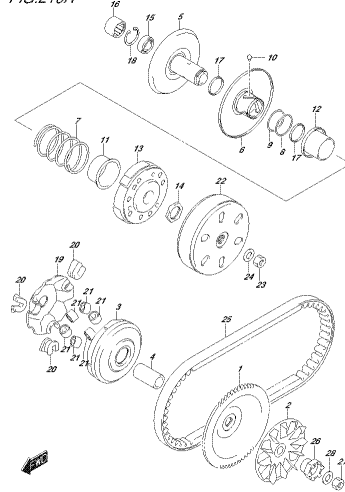
LOV158M4_PFE_1724
FUEL PUMP

FIG.181A



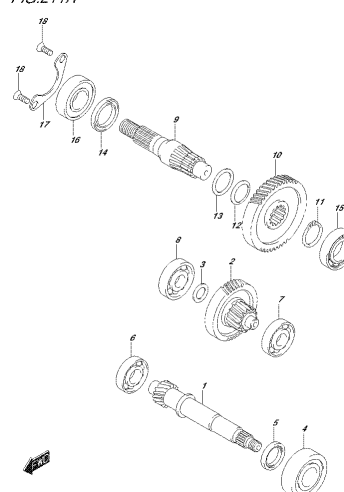
LOV158M4_PFE_1814
COOLING FAN

FIG.210A



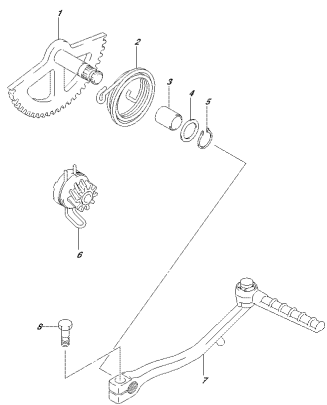
LOV158M4_PFE_2104
TRAVELERSSCHNITT

FIG.211A



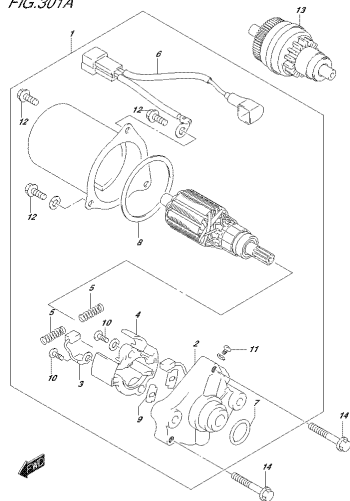
LOV158M4_PFE_2114
TRAVELERSSCHNITT

FIG.240A



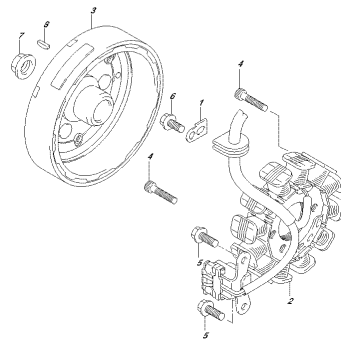
UNISMAK_PRE_320M
KICK-STARTER

FIG.301A



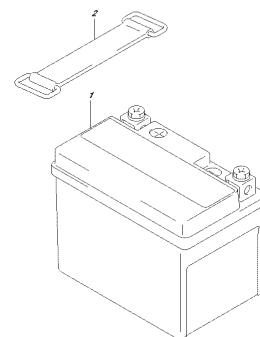
UNISMAK_PRE_320M
MAGNETO

FIG.303A



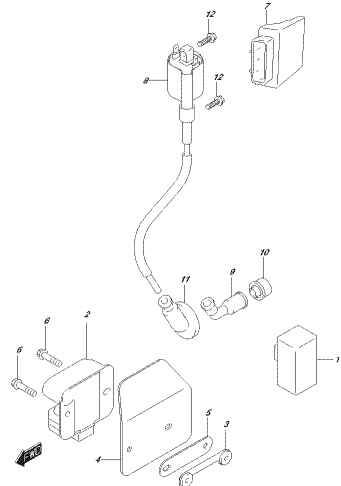
UNISMAK_PRE_320M
MAGNETO

FIG.310A



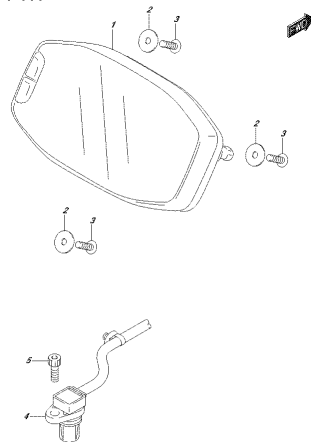
UNISMAK_PRE_310M
BATTERY

FIG.312A



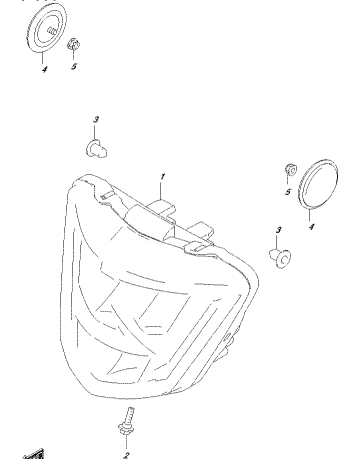
UNISMAK_PRE_310M
ELECTRICAL

FIG.330A



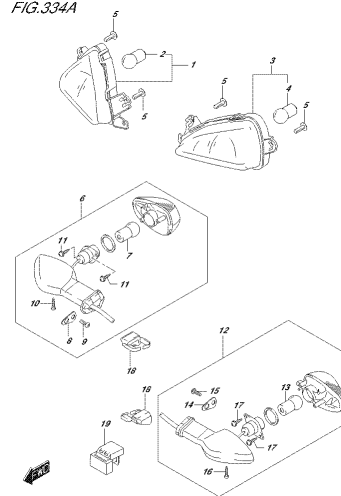
UNISMAK_PRE_320M
SPEEDOMETER

FIG.333A



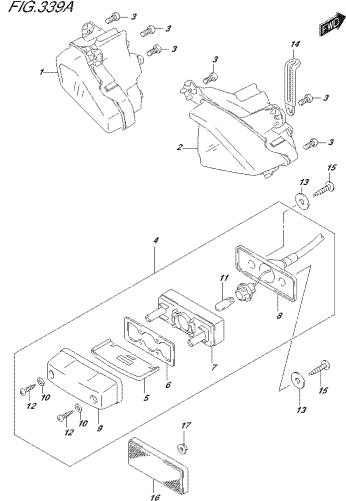
UNISMAK_PRE_320M
HEADLAMP

FIG.334A



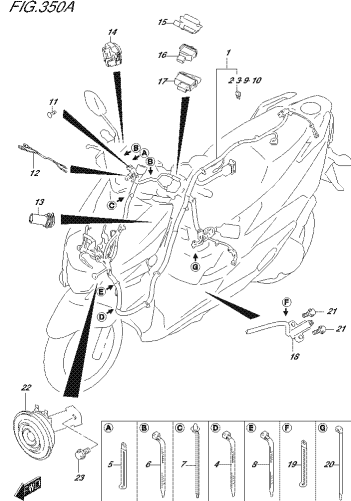
UNISMAK_PRE_320M
TURN SIGNAL LAMP

FIG.339A



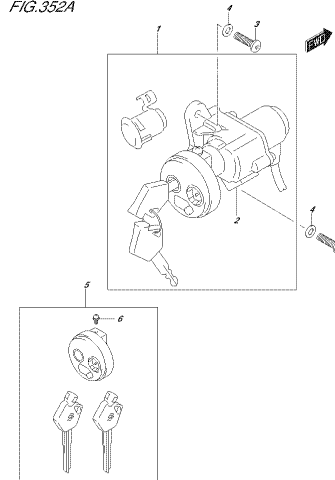
LV158KAL_PFE_339A
REAR LIGHT/REAR LIGHT LAMP

FIG.350A



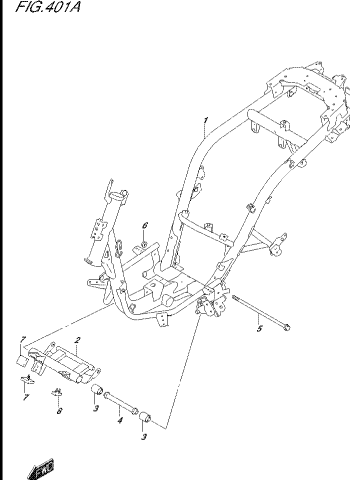
LV158KAL_PFE_350A
FRONT HEADLIGHT

FIG.352A



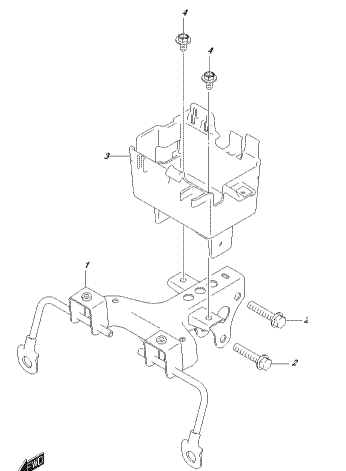
LV158KAL_PFE_352A
LOCK SET

FIG.401A



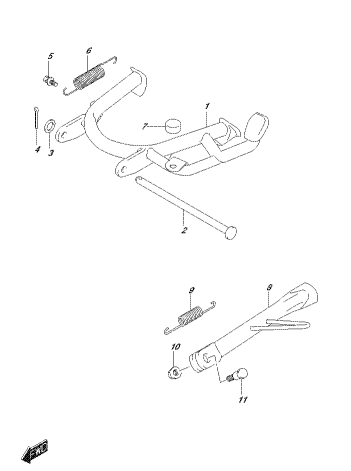
LV158KAL_PFE_401A
FRAME

FIG.405A



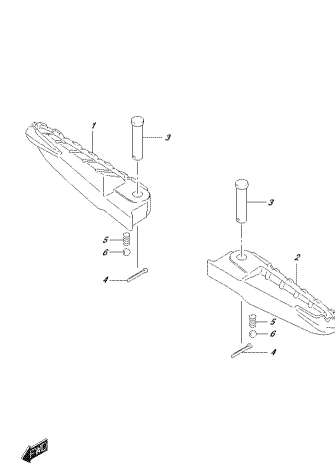
LV158KAL_PFE_405A
BATTERY HOLDER

FIG.407A



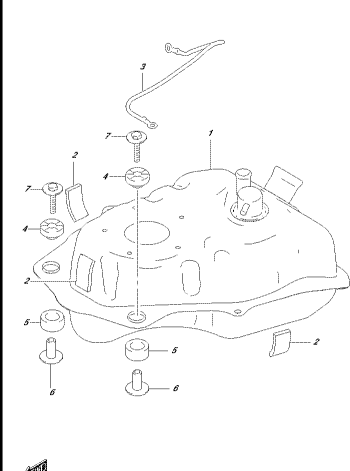
LV158KAL_PFE_407A
SEAT

FIG.415A



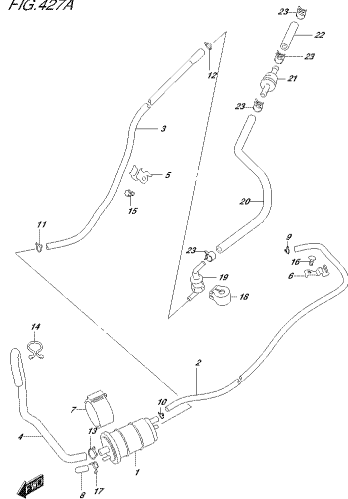
LV158KAL_PFE_415A
FOOTREST

FIG.420A



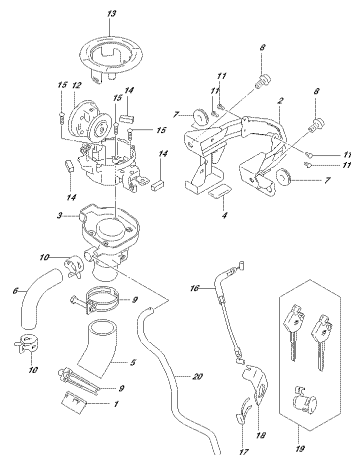
LV158KAL_PFE_420A
FUEL TANK

FIG.427A



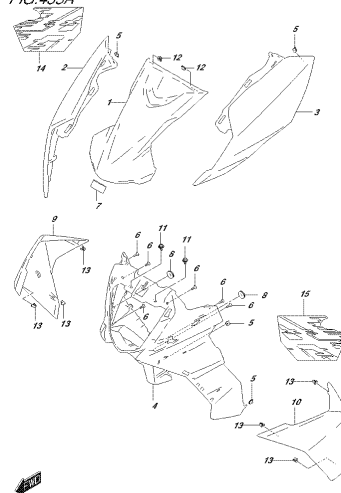
LV158M, PRE 428
FWP01052H

FIG.429A



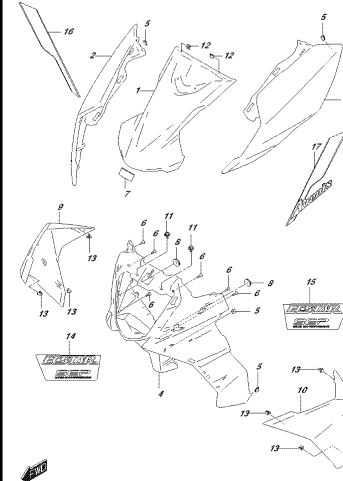
LV158M, PRE 428
FUEL INLET

FIG.435A



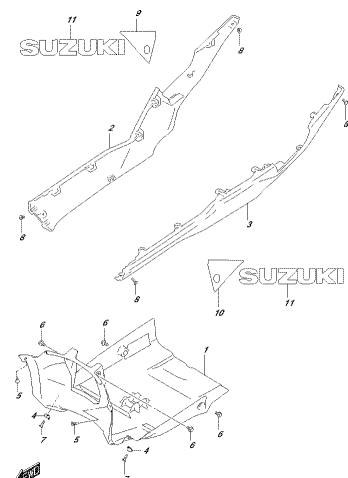
LV158M, PRE 428
FRONT LEG SHIELD

FIG.435B



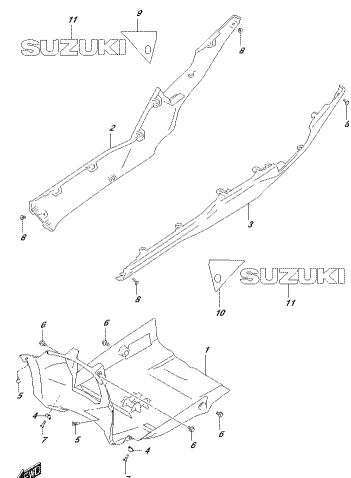
LV158M, PRE 427
FRONT LEG SHIELD

FIG.438A



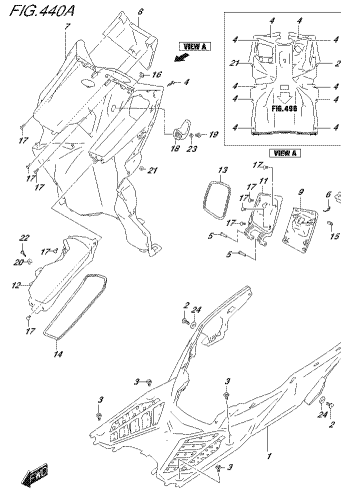
LV158M, PRE 428
SIDE LEG SHIELD

FIG.438B



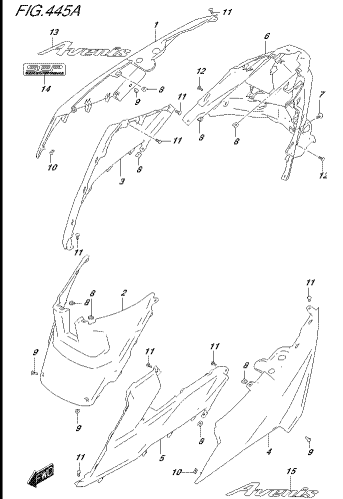
LV158M, PRE 428
SIDE LEG SHIELD

FIG.440A



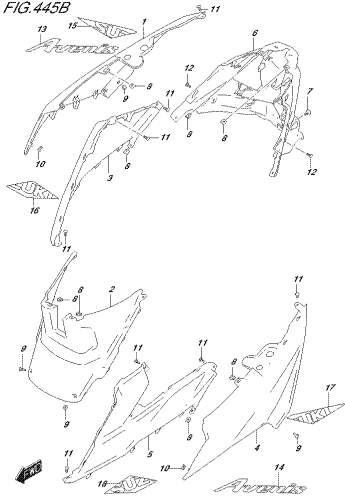
LV158M, PRE 428
REAR LEG SHIELD

FIG.445A



LV158M, PRE 428
FRAME COVER

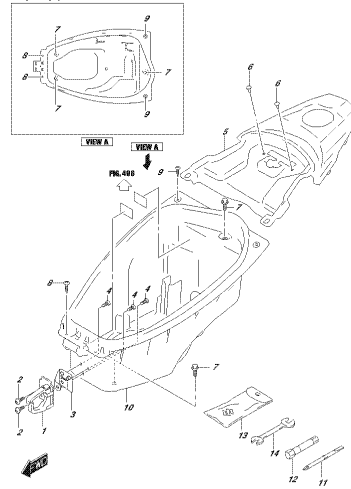
FIG. 445B



L11558AL P16-145B

FRAME COVER

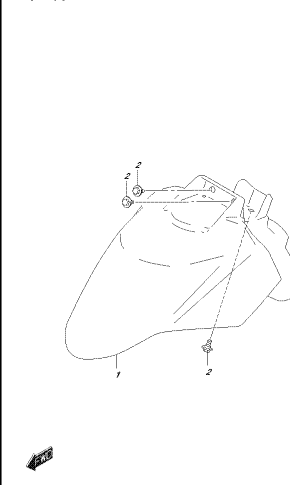
FIG. 456A



L11558AL P16-156A

HELMET BOX

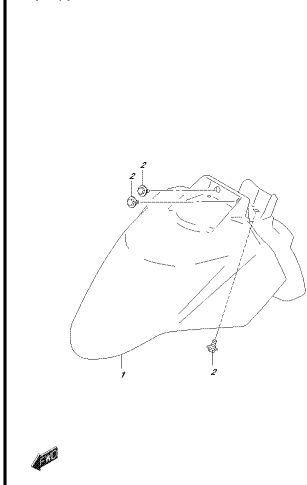
FIG. 460A



L11558AL P16-160A

FRONT FENDER

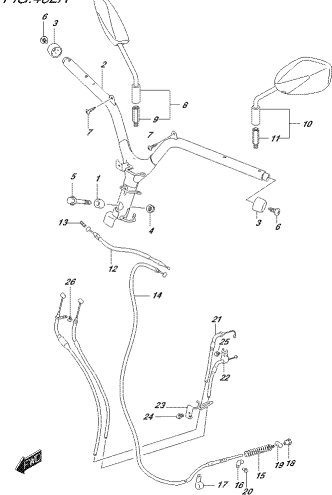
FIG. 460B



L11558AL P16-160B

FRONT FENDER

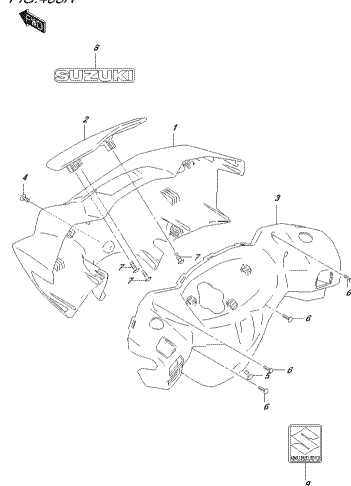
FIG. 462A



L11558AL P16-162A

HANDLEBAR

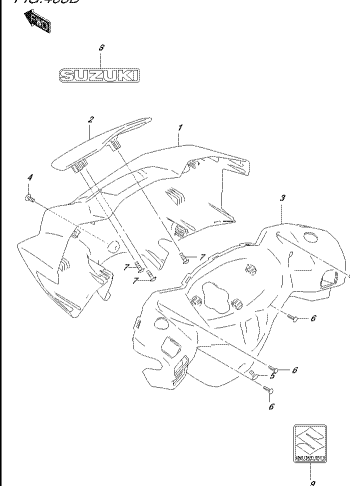
FIG. 463A



L11558AL P16-163A

HANDLE COVER

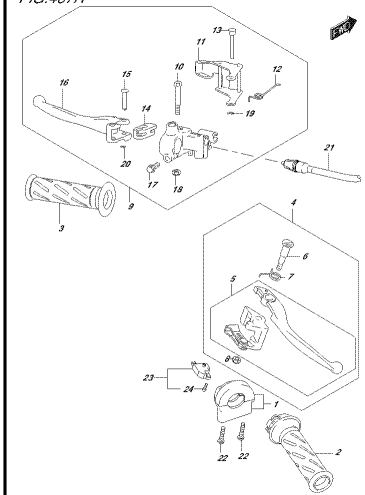
FIG. 463B



L11558AL P16-163B

HANDLE COVER

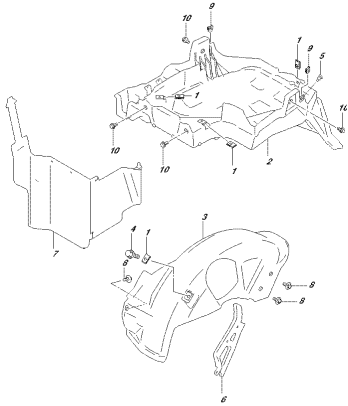
FIG. 467A



L11558AL P16-167A

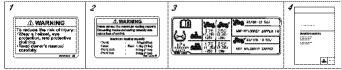
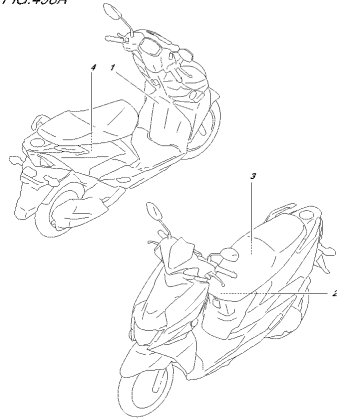
HANDLE LEVER

FIG.474A



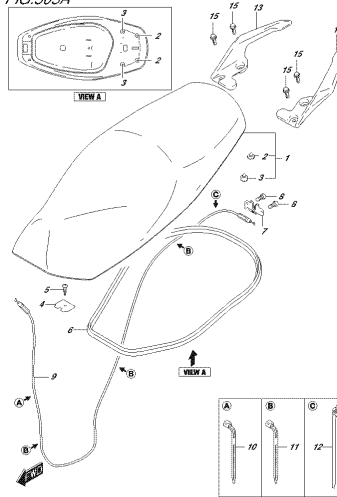
UNIVERSAL_PIE_474A
RE-40-RE-0327

FIG.496A



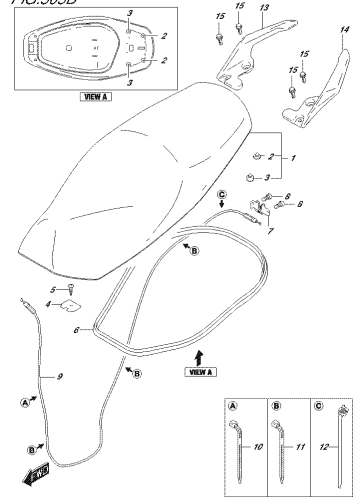
UNIVERSAL_PIE_496A
V-0327

FIG.505A



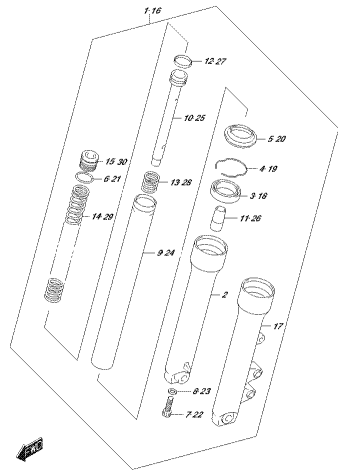
UNIVERSAL_PIE_505A
524V

FIG.505B



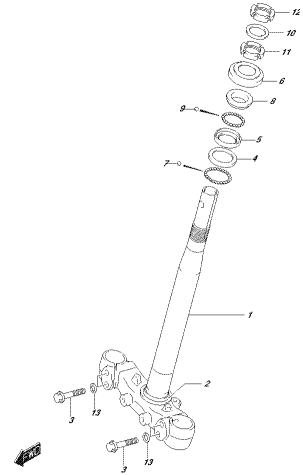
UNIVERSAL_PIE_505B
524V

FIG.521A



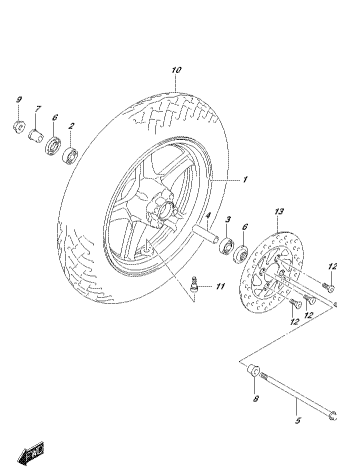
UNIVERSAL_PIE_521A
FRONT FORK CHAMFER

FIG.524A



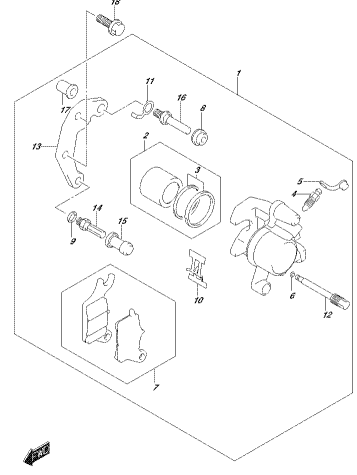
UNIVERSAL_PIE_524A
STEERING STEM

FIG.530A



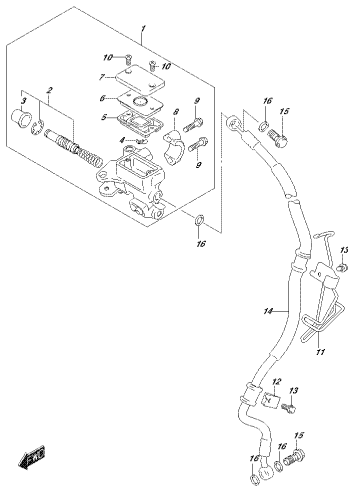
UNIVERSAL_PIE_530A
FRONT WHEEL

FIG.535A



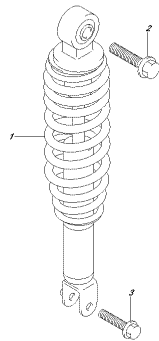
UNIVERSAL_PIE_535A
FRONT CALIPER

FIG.537A



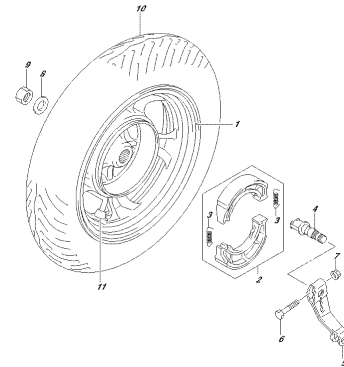
UV12586L_PFE_217A
FRONT LOWER CONTROL ARM

FIG.545A



UV12586L_PFE_242A
REAR SHOCK ABSORBER

FIG.550A



UV12586L_PFE_252A
REAR WHEEL

FIG.102A

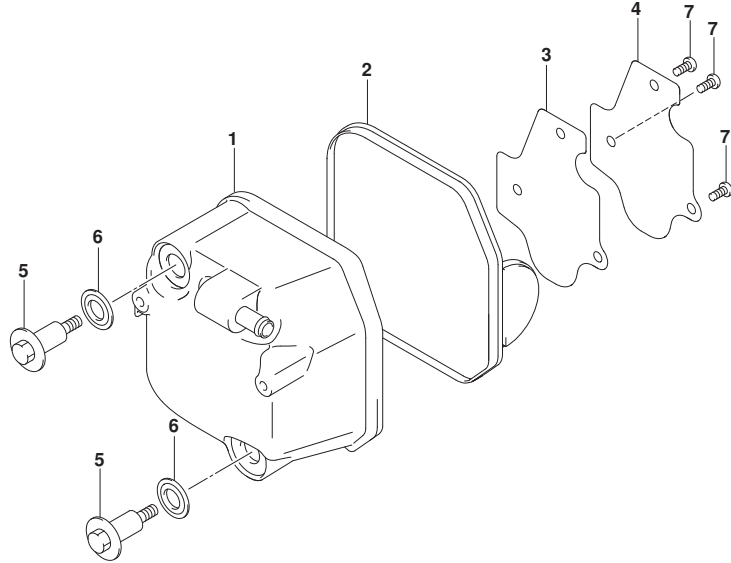


FIG.102A (1-B-2) CYLINDER HEAD COVER

REF NO.	PART NO.	DESCRIPTION	Q'TY	REMARKS
1	11170-02L10-000	COVER, CYLINDER HEAD	1	
2	11173-02L00-000	GASKET, CYL HEAD COVER	1	
3	11176-02L00-000	PLATE, BREATHER	1	
4	11177-08K00-000	GASKET, BREATHER PLATE	1	
5	09119-06138-000	BOLT (L:21.7)	2	
6-1	11191-27E00-000	WASHER, CYL HEAD COVER (10.6X25.5X1.6)	2	UCHIYAMA
6-2	11191-27E70-000	WASHER, CYL HEAD COVER (10.6X25.5X1.6)	2	NOK
7	02112-0510A-000	SCREW	3	



FIG.103A

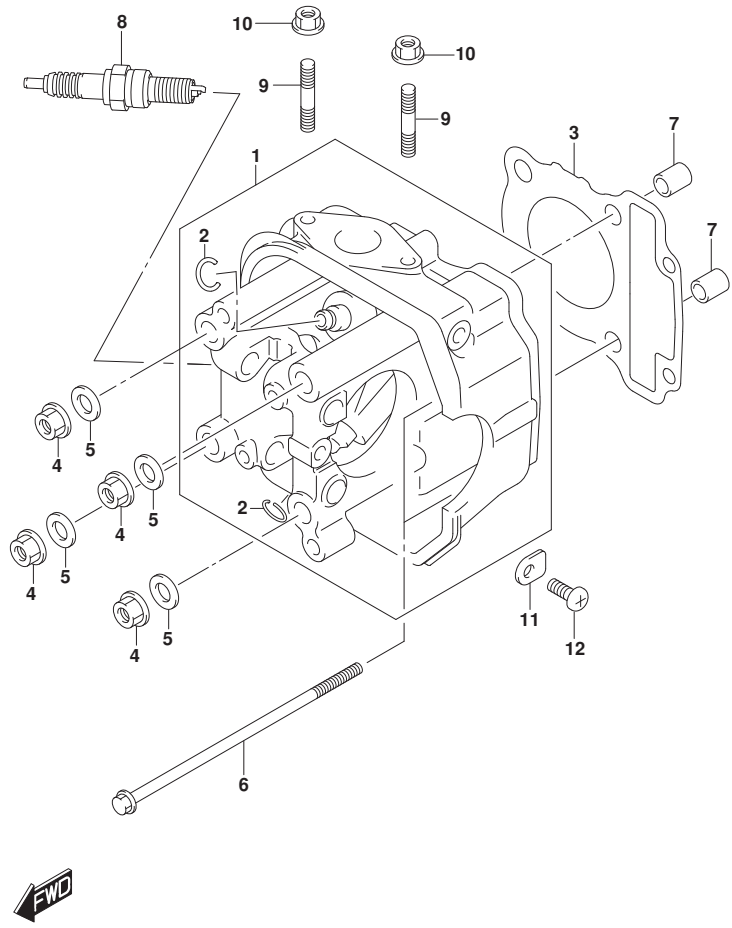


FIG.103A (1-B-3) CYLINDER HEAD

REF NO.	PART NO.	DESCRIPTION	Q'TY	REMARKS
1	11110-02L10-000	HEAD, CYLINDER	1	
2	09381-10004-000	,RING (10X85)	2	
3	11141-35J00-000	GASKET, CYLINDER HEAD	1	
4	08316-1008A-000	NUT	4	
5	09160-08164-000	WASHER (8.5X18X2.3)	4	
6	09103-06501-000	BOLT (6X100)	2	
7	09206-10016-000	PIN (8.2X10X13)	2	
8	09482-00645-000	SPARK PLUG (MR7E-9)	1	NGK
9	01421-0625A-000	STUD BOLT	2	
10	08316-1006A-000	NUT	2	
11	24741-20A10-000	RETAINER, SHIFT CAM RH BEARING	1	
12	02112-0612A-000	SCREW	1	

FIG.107A

FIG.107A (1-B-4) CYLINDER

REF NO.	PART NO.	DESCRIPTION	Q'TY	REMARKS
1	11210-02L20-0F0	CYLINDER	1	
2	11241-08K00-000	GASKET, CYLINDER	1	
3	09108-08302-000	STUD BOLT (L:192)	4	
4	09206-10016-000	PIN (8.2X10X13)	2	
5	09168-08008-000	GASKET (8.2X14X1)	1	
6	01550-0812A-000	BOLT	1	
7	13640-02L00-000	SENSOR, ENGINE TEMP	1	

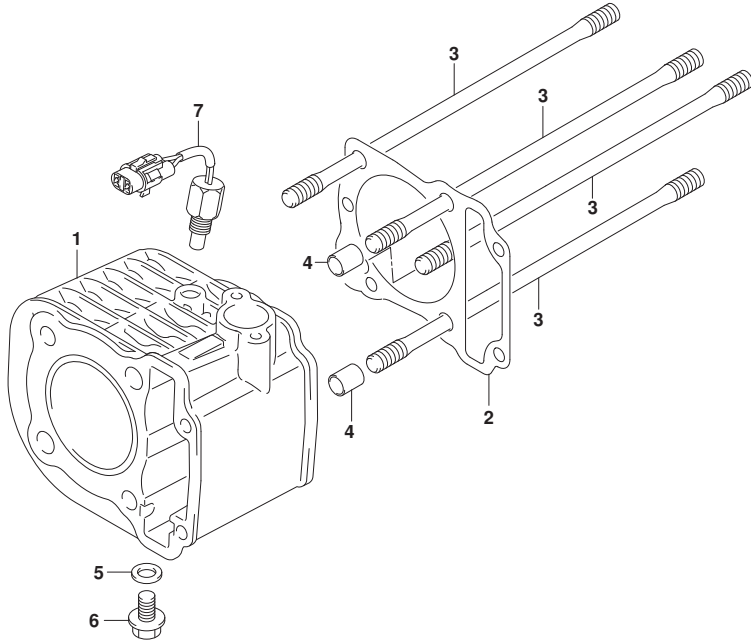


FIG.108A

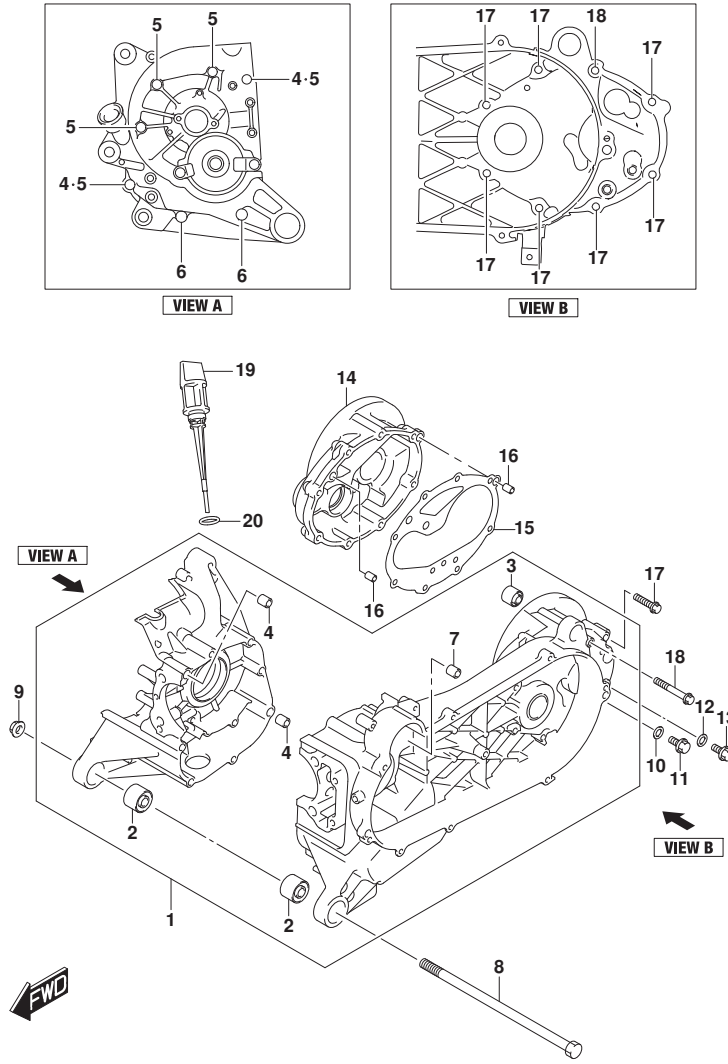
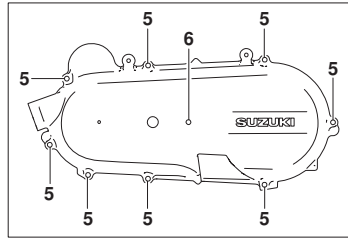


FIG.108A (1-B-5) CRANKCASE

REF NO.	PART NO.	DESCRIPTION	Q'TY	REMARKS
1	11301-08841-000	CRANKCASE SET	1	
2	11315-39J01-000	.BUSH, ENGINE MTG	2	
3-1	11316-39J00-000	.BUSH, REAR SHOCK ABS	1	
3-2	11316-39J10-000	.BUSH, REAR SHOCK ABS	1	
4	09206-10014-000	.PIN (6.4X10X20)	2	
5	01547-0655A-000	.BOLT	5	
6	01547-0695A-000	.BOLT	2	
7	11325-09J00-000	.BUSH	1	
8	11611-39J00-000	BOLT (L:240)	1	
9	08316-1010A-000	NUT	1	
10	09168-08008-000	GASKET (8.2X14X1)	1	
11	01550-0812A-000	BOLT	1	OIL DRAIN
12	09168-08008-000	GASKET (8.2X14X1)	1	
13	01550-0812A-000	BOLT	1	
14	11430-39840-000	COVER SET, GEAR BOX	1	
15	11484-39J30-000	GASKET, GEAR BOX COVER	1	
16	09206-08008-000	PIN (6.3X8X12)	2	
17	01547-0630A-000	BOLT	7	
18	01547-0655A-000	BOLT	1	
19	11971-09J10-000	GAUGE, OIL LEVEL	1	
20	09280-17003-000	O RING (D:3.1,ID:16.8)	1	

FIG.112A



VIEW A

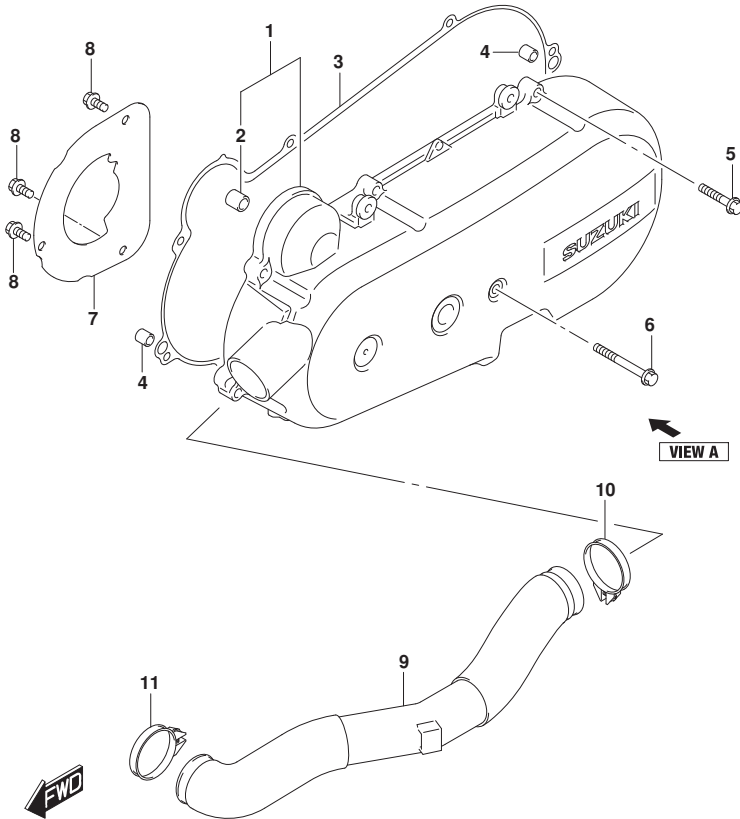


FIG.112A (1-B-6) CRANKCASE COVER

REF NO.	PART NO.	DESCRIPTION	Q'TY	REMARKS
1	11340-08K40-000	COVER, CLUTCH	1	
2	11325-09J00-000	.BUSH	1	
3	11482-08K00-000	GASKET, CLUTCH COVER (NA)	1	
4	09206-08008-000	PIN (6.3X8X12)	2	
5	01547-0625A-000	BOLT	8	
6	01547-0690A-000	BOLT	1	
7	11346-08K00-000	PLATE, CLUTCH COVER AIR INTAKE	1	
8	01547-0612A-000	BOLT	3	
9	11383-39J10-000	DUCT, BELT COOLING INLET	1	
10	09402-46209-000	CLAMP	1	
11	09402-42001-000	CLAMP	1	

FIG.120A

FIG.120A (1-B-7) CRANKSHAFT

REF NO.	PART NO.	DESCRIPTION	QTY	REMARKS
1	12200-08K51-000	CRANKSHAFT ASSY	1	
2	09283-16L03-000	OIL SEAL (20.5X32X5)	1	
3	12227-08K00-000	OIL SEAL, CRANKSHAFT LH	1	
4-1	12111-08K10-0F0	PISTON	1	
4-2	12111-08K00-0F0	PISTON	1	
5	12140-08K50-000	RING SET, PISTON	1	
6	12151-43J00-000	PIN, PISTON	1	
7	09381-12001-000	RING	2	
8	12100-08K50-050	PISTON SET (OS:0.5)	1	OPT

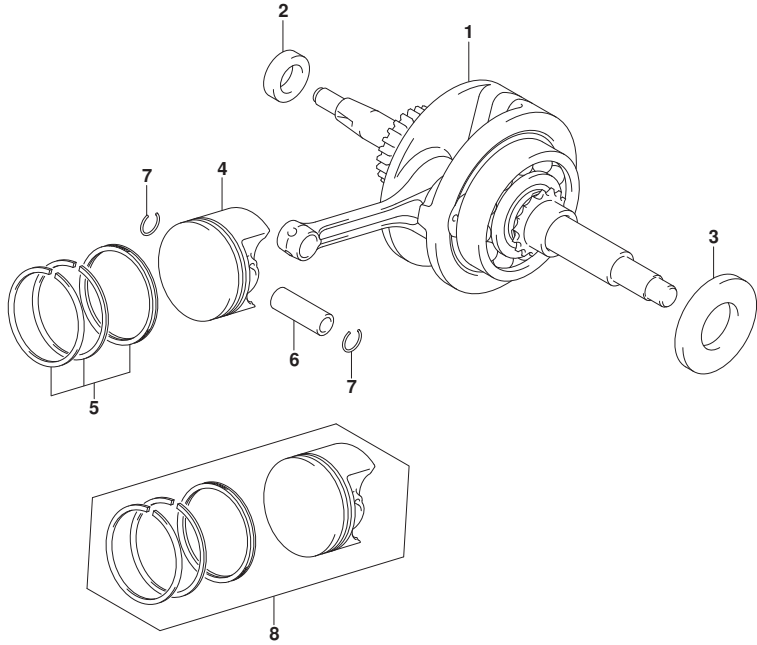


FIG.126A

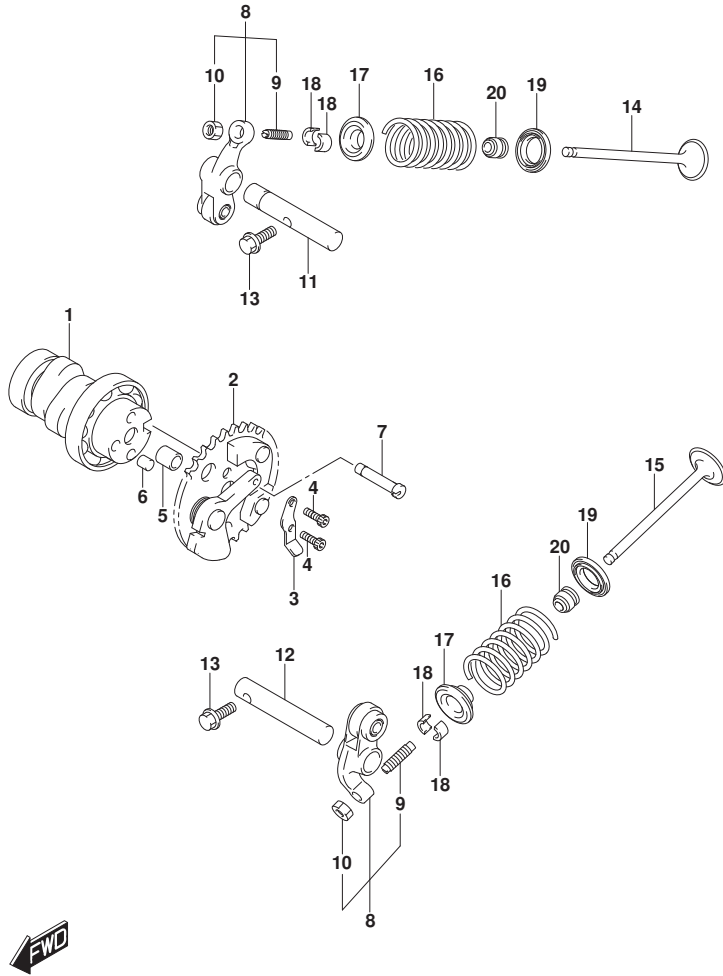


FIG.126A (1-B-8) CAMSHAFT/VALVE

REF NO.	PART NO.	DESCRIPTION	Q'TY	REMARKS
1	12710-02L00-000	CAMSHAFT	1	
2	12740-08K00-000	SPROCKET, CAMSHAFT (NT:34)	1	
3	12714-34J10-000	WASHER, SPROCKET (NT:26)	1	
4	12742-27L00-000	BOLT	2	
5	09206-08008-000	PIN (6.3X8X12)	1	
6	09261-05005-000	PIN (5X8)	1	
7	12951-08K00-000	CAM, DECOMPRESSION	1	
8	12840-43J10-000	ARM ASSY, VALVE ROCKER	2	
9	12842-34J00-000	.SCREW, TAPPET ADJUSTING (NT:24)	2	
10	12843-27A70-000	.NUT, TAPPET ADJUSTING	2	
11	12861-35J00-000	SHAFT, VALVE ROCKER ARM INTAKE	1	INTAKE
12	12871-35J10-000	SHAFT, VALVE ROCKER ARM EXHAUST	1	EXHAUST
13	01550-0512A-000	BOLT	2	
14	12911-43J00-000	VALVE, INTAKE	1	
15	12912-02L00-000	VALVE, EXHAUST	1	
16	12921-43J00-000	SPRING, VALVE	2	
17	12931-09G20-000	RETAINER, VALVE SPRING	2	
18	12932-09G10-000	COTTER VALVE (NT:23)	4	
19	12933-09G00-000	SEAT, VALVE SPRING	2	
20	09289-05019-000	OIL SEAL (4X10X8)	2	

FIG.127A

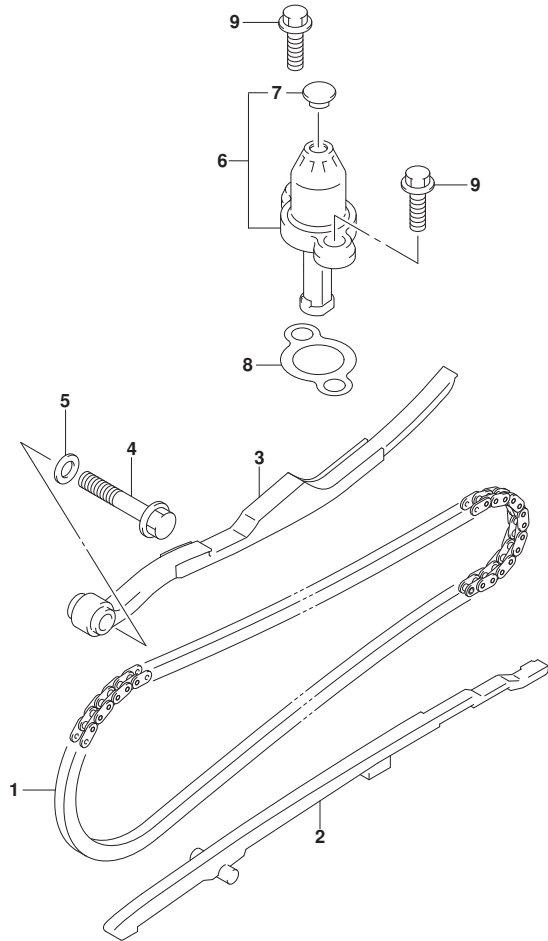
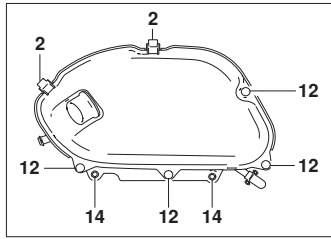


FIG.127A (1-B-9) CAM CHAIN

REF NO.	PART NO.	DESCRIPTION	Q'TY	REMARKS
1	12760-08K10-000	CHAIN, CAMSHAFT DRIVE	1	
2	12771-27L00-000	GUIDE, CAM CHAIN	1	
3	12811-08K10-000	TENSIONER, CAM CHAIN	1	
4	09103-06247-000	BOLT (6X32)	1	
5	09168-06004-000	GASKET (6.2X11X1.2)	1	
6	12830-42K00-000	ADJUSTER ASSY, TENSIONER	1	
7	12836-42K00-000	.PLUG, ADJUSTER END	1	
8	12837-39J20-000	GASKET, TENSIONER ADJUSTER (NA)	1	
9	01547-0620A-000	BOLT	2	

FIG.155A



VIEW A

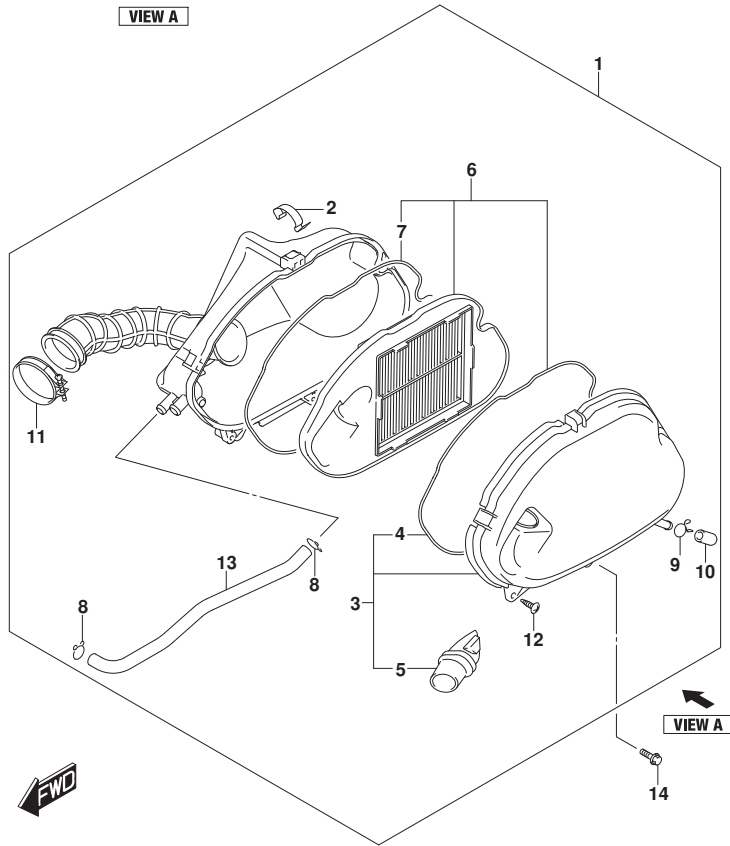


FIG.155A (1-B-11) AIR CLEANER

REF NO.	PART NO.	DESCRIPTION	Q'TY	REMARKS
1	13700-02L30-000	CLEANER ASSY, AIR	1	
2	13755-54G00-000	.CLIP, AIR CLEANER	2	
3	13740-02L20-000	.CAP, AIR CLEANER	1	
4	13746-08K00-000	.GASKET	1	
5	13891-08K00-000	.TUBE, INLET	1	
6	13700-02810-000	AIR FILTER KIT	1	
7	13746-08K00-000	.GASKET	1	
8	09401-12418-000	.CLIP	2	
9	13825-08K00-000	.CLIP	1	
10	13871-41H00-000	.PLUG, DRAIN	1	
11	13856-02L10-000	.CLAMP	1	
12	03541-0525A-000	.SCREW	4	
13	13850-02L10-000	.TUBE, BRETHET	1	
14	09116-06103-000	BOLT (6X30)	2	

FIG.163A

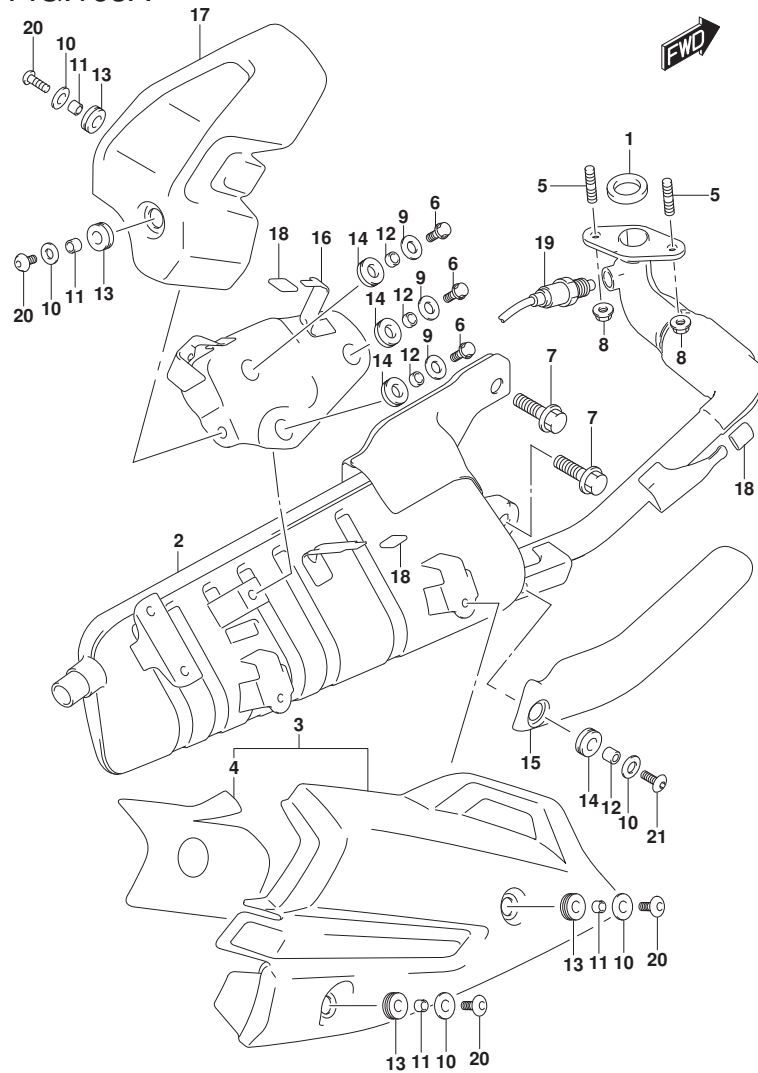


FIG.163A (1-B-12) MUFFLER

REF NO.	PART NO.	DESCRIPTION	Q'TY	REMARKS
1	14181-30A30-000	GASKET, EXH PIPE	1	
2	14310-14L40-000	BODY, MUFFLER	1	
3	14780-44K10-000	COVER, MUFFLER	1	
4	14782-44K00-000	SHIELD, MUF COVER	1	
5	01421-0616A-000	STUD BOLT	2	
6	01550-0616A-000	BOLT	3	
7	01550-1040A-000	BOLT	2	
8	08316-1006A-000	NUT	2	
9	09160-06028-000	WASHER (6.5X18X1.0)	3	
10	09160-06151-000	WASHER (6.5X18X1)	5	
11	09180-06256-000	SPACER (6.5X9X5.7)	4	
12	09180-06343-000	SPACER	4	
13	09320-08L02-000	CUSHION (8.4X18X6)	4	
14	09320-08082-000	CUSHION	4	
15	14180-44K10-000	COVER, EXH PIPE	1	
16	14760-44K01-000	STAY, MUF RR COV	1	
17	14791-44K30-000	COVER, MUF TAIL	1	
18	14795-10FA0-000	GROMMET	3	
19	18213-12K10-000	SENSOR, OXYGEN	1	
20	09139-06217-000	SCREW (6X16)	4	
21	01550-0616B-000	BOLT	1	

FIG.170A

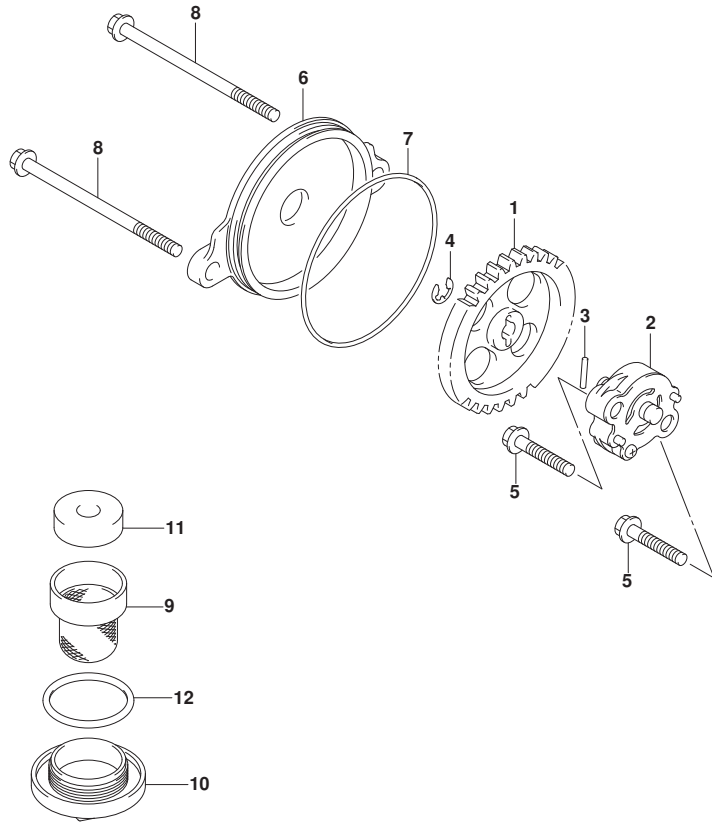


FIG.170A (1-B-13) OIL PUMP

REF NO.	PART NO.	DESCRIPTION	Q'TY	REMARKS
1	16331-08K00-000	GEAR, OIL PUMP DRIVEN (NT:43)	1	
2	16400-08K00-000	PUMP ASSY, ENG OIL	1	
3	16421-20E00-000	PIN	1	
4	08332-11059-000	E-RING	1	
5	01547-0625A-000	BOLT	2	
6	16422-09J00-000	COVER, OIL PUMP	1	
7	16423-09J00-000	O RING	1	
8	01547-0680A-000	BOLT	2	
9	16520-09J00-000	STRAINER, ENG OIL	1	
10	16523-09J00-000	CAP, OIL STRAINER	1	
11	16526-09J00-000	PLUG, OIL STRAINER	1	
12-1	16525-09J00-000	O RING	1	BLACK
12-2	16525-09J10-000	O RING	1	RED



FIG.172A

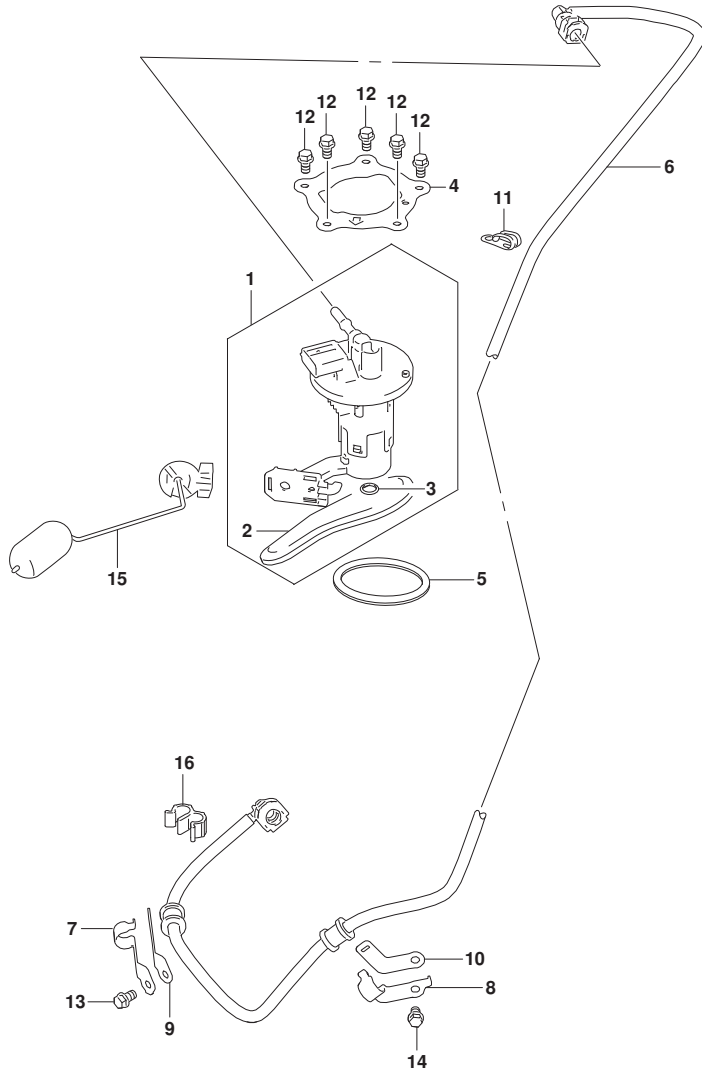


FIG.172A (1-B-14) FUEL PUMP

REF NO.	PART NO.	DESCRIPTION	Q'TY	REMARKS
1	15100-02L03-000	PUMP ASSY, FUEL	1	
2	15420-02L00-000	.FILTER	1	
3	15424-09JB0-000	.O RING	1	
4	15121-02L10-000	PLATE, FUEL PUMP	1	
5	15201-02L00-000	O RING	1	
6	15810-02L01-000	HOSE, FUEL	1	
7	15891-02L00-000	CLAMP, FUEL HOSE FR	1	
8	15892-02L00-000	CLAMP, FUEL HOSE RR	1	
9	15893-02L00-000	CLAMP, FUEL HOSE RR NO.2	1	
10	15894-02L00-000	CLAMP, FUEL HOSE RR NO.2	1	
11	09404-06429-000	CLAMP (L:45)	1	
12	01547-0610A-000	BOLT	5	
13	01547-0610A-000	BOLT	1	
14	01547-0610A-000	BOLT	1	
15	34810-14L00-000	GAUGE ASSY, FUEL LEVEL SENDER	1	
16	09408-00349-000	CLAMP	1	

FIG.181A

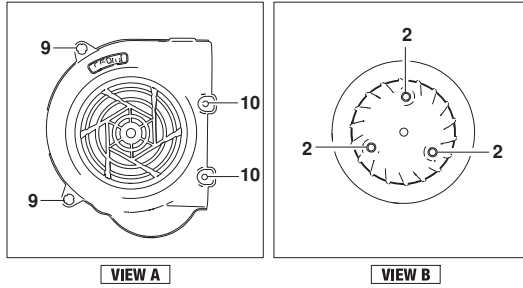


FIG.181A (1-C-2) COOLING FAN

REF NO.	PART NO.	DESCRIPTION	QTY	REMARKS
1	17110-09J50-000	FAN, COOLING	1	
2	01550-0612A-000	BOLT	3	
3	17120-02L00-000	COWLING, CYLINDER UPPER	1	
4	17122-02L00-000	COWLING, CYLINDER LOWER	1	
5	17123-08K00-000	MOLD, CYLINDER COWLING	1	
6	01547-0625A-000	BOLT	1	
7	03541-0516A-000	SCREW	2	
8	17130-02L00-000	COWLING, FAN	1	
9	01547-0625A-000	BOLT	2	
10	03541-0516A-000	SCREW	2	
11	17124-02L00-000	MOLD, TENSIONER ADJUSTER	1	
12	09404-06429-000	CLAMP (L:45)	1	

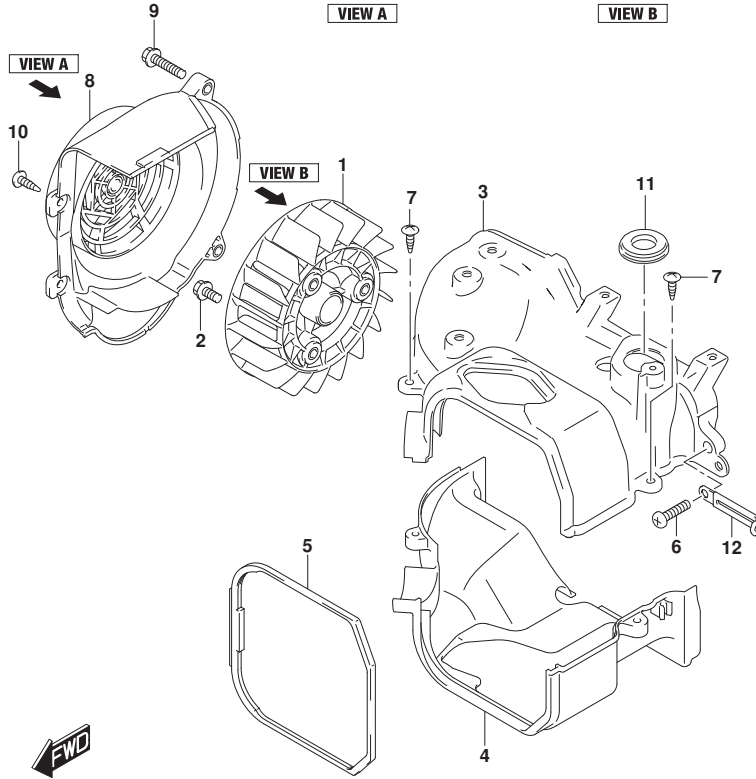
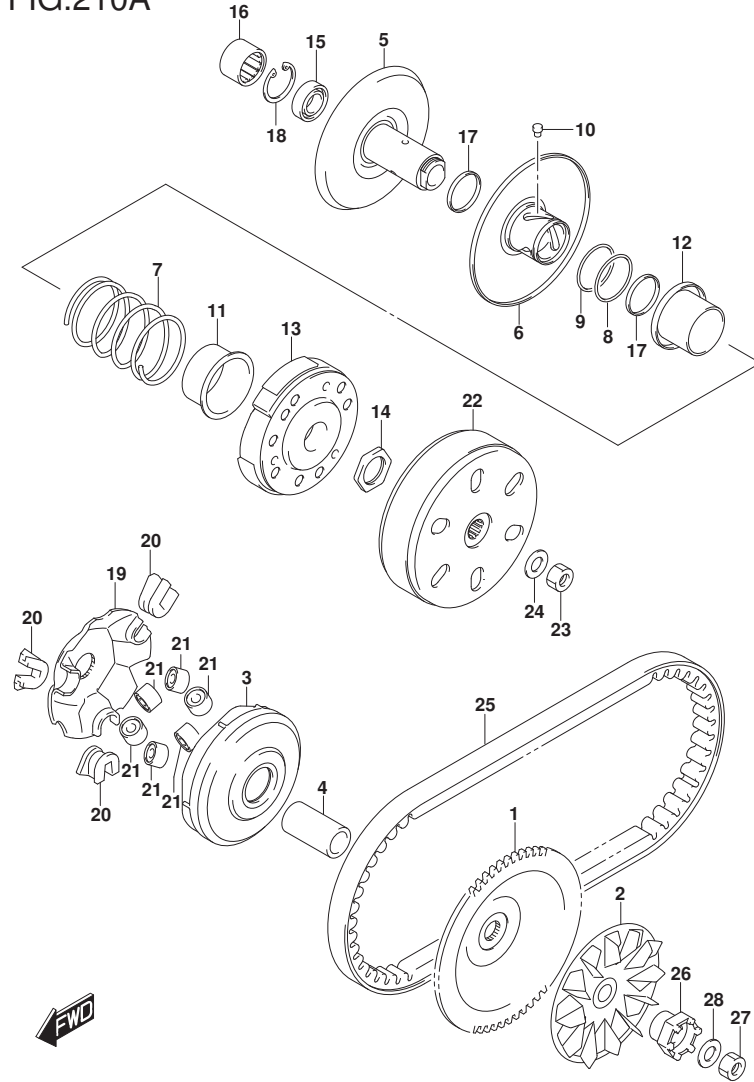


FIG.210A



UN125M4_P08_210A
TRANSMISSION (1)

FIG.210A (1-C-3) TRANSMISSION (1)

REF NO.	PART NO.	DESCRIPTION	Q'TY	REMARKS
1	21111-08K00-000	FACE, FIXED DRIVE	1	
2	21113-39J10-000	FAN, FIXED DRIVE	1	
3	21120-33G70-000	FACE, MOVABLE DRIVE	1	
4	21125-33G00-000	SPACER, MOVABLE DRIVE	1	
5	21210-08K10-000	FACE, FIXED DRIVEN	1	
6	21240-08K10-000	FACE, MOVABLE DRIVEN	1	
7	21243-08K00-000	SPRING, MOVABLE DRIVEN	1	
8	21245-09J00-000	O RING	1	
9	21246-08K00-000	O RING	1	
10	21248-08K00-000	PIN, MOVABLE DRIVEN	3	
11	21472-08K00-000	SHEET, CLUTCH DRIVE PLATE	1	
12	21471-08K00-000	SHEET, MOVABLE DRIVEN	1	
13	21501-08K10-000	CLUTCH ASSY, SHOE	1	
14	21518-09J00-000	NUT, SHOE CLUTCH	1	
15	21215-08K10-000	BEARING, FIXED DRIVEN LH	1	
16	21214-08K00-000	BEARING, FIXED DRIVEN RH	1	
17	21247-08K00-000	OIL SEAL, MOVABLE DRIVEN	2	
18	21216-08K00-000	CIRCLIP, FIXED DRIVEN	1	
19	21431-33G00-000	PLATE, MOVABLE DRIVE	1	
20	21481-08K00-000	DAMPER, MOVABLE DRIVE PLATE	3	
21	21650-08K10-000	ROLLER, MOVABLE DRIVE	6	
22	21220-08K10-000	HOUSING, CLUTCH	1	
23	09140-12055-000	NUT	1	
24	08211-12223-000	WASHER	1	
25	27601-08K10-000	V-BELT, DRIVE	1	
26-1	26231-08K00-000	STARTER, KICK RH	1	
26-2	26231-08K10-000	STARTER, KICK RH	1	
27	09140-12055-000	NUT	1	
28	08211-12223-000	WASHER	1	

UN125M4_P08

FIG.211A

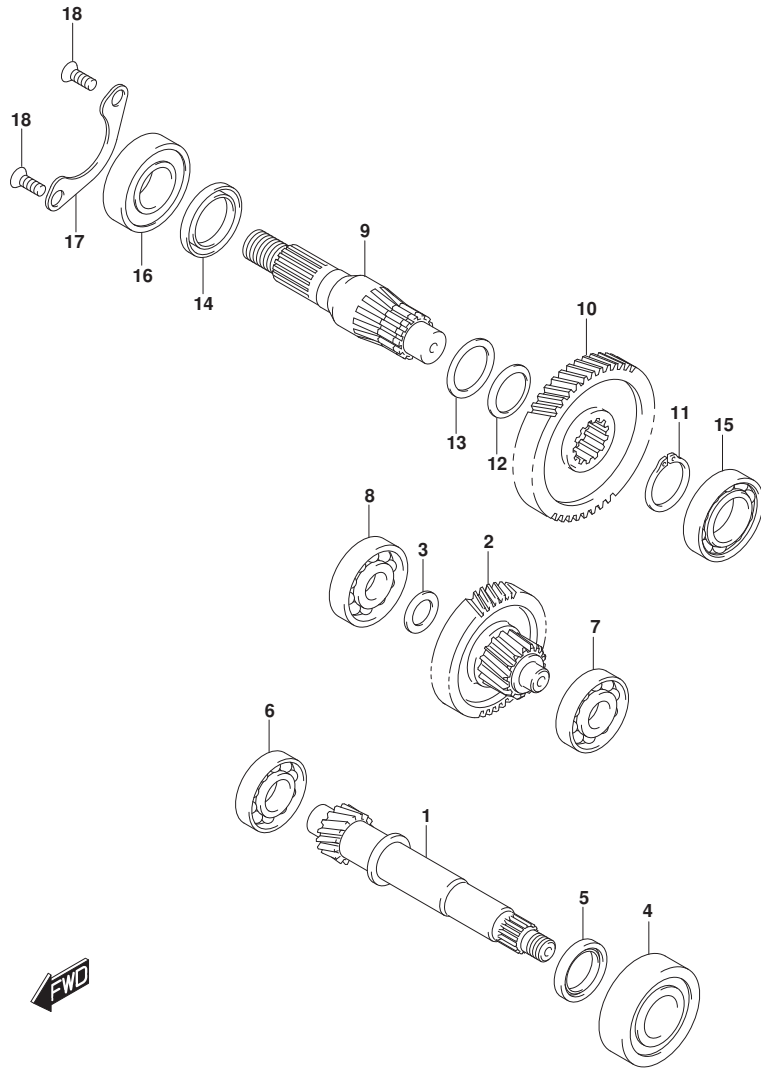


FIG.211A (1-C-4) TRANSMISSION (2)

REF NO.	PART NO.	DESCRIPTION	Q'TY	REMARKS
1-1	24131-33G80-000	SHAFT, DRIVE (NT:17)	1	
1-2	24131-33G90-000	SHAFT, DRIVE (NT:17)	1	
2-1	24150-39J21-000	SHAFT, IDLE	1	
2-2	24150-39J40-000	SHAFT, IDLE (NT:13/42)	1	
3	09181-12167-000	SHIM (12X20X1)	1	
4-1	09262-20171-000	BEARING (20X47X14)	1	
4-2	09262-20158-000	BEARING (20X47X14)	1	
4-3	09262-20151-000	BEARING (20X47X14)	1	
5	09283-20069-000	OIL SEAL (19X28X5)	1	
6	08110-6202A-000	BEARING	1	
7	09262-12034-000	BEARING (12X32X10)	1	
8	09262-12035-000	BEARING (12X28X8)	1	
9-1	24141-08K10-000	SHAFT, REAR AXLE	1	
9-2	24141-08K20-000	SHAFT, REAR AXLE	1	
10-1	24371-39J10-000	GEAR, FINAL DRIVEN (NT:45)	1	
10-2	24371-39J20-000	GEAR, FINAL DRIVEN (NT:45)	1	
11	08331-31249-000	CIRCLIP	1	
12	24142-08K10-000	WASHER, FINAL DRIVEN GEAR	1	
13	09181-25051-000	SHIM (T:0.60)	1	
14	09283-29007-000	OIL SEAL	1	
15	08110-62030-000	BEARING	1	
16	09262-22041-000	BEARING (22X50X14)	1	
17	24751-09J00-000	RETAINER, DRIVE SHAFT BEARING	1	
18	02122-0616A-000	SCREW	2	

FIG.240A

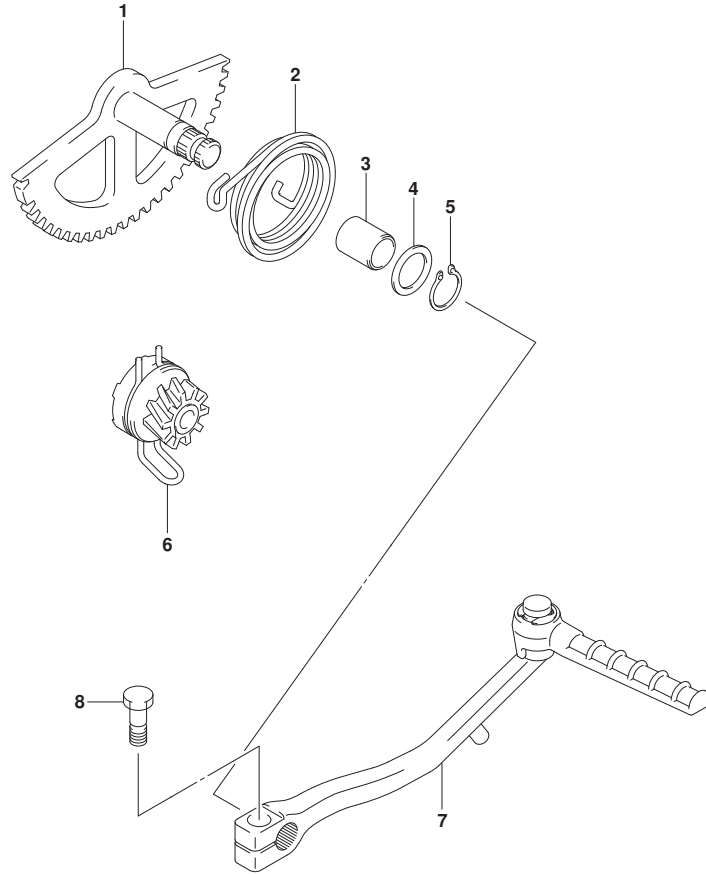


FIG.240A (1-C-5) KICK STARTER

REF NO.	PART NO.	DESCRIPTION	Q'TY	REMARKS
1	26210-08K00-000	SHAFT, KICK STARTER (NT:56)	1	
2	26212-46G00-000	SPRING, KICK STARTER SHAFT	1	
3-1	26213-39J00-000	BUSH, KICK SHAFT	1	
3-2	26213-39J20-000	BUSH, KICK SHAFT	1	
4	09160-14053-000	WASHER (14.5X22X0.8)	1	
5	08331-31149-000	CIRCLIP	1	
6	26200-39J00-000	GEAR ASSY, KICK STARTER DRIVEN (NT:10)	1	
7	26300-08K00-000	LEVER ASSY, KICK STARTER	1	
8	26314-33G30-000	BOLT, KICK STARTER LEVER	1	

FIG.301A

FIG.301A (1-C-6) STARTING MOTOR

REF NO.	PART NO.	DESCRIPTION	Q'TY	REMARKS
1	31100-08K21-000	MOTOR ASSY, STARTING	1	
2	31130-08K20-000	.HOLDER ASSY, STARTING	1	
3	31131-08K20-000	.BRUSH, UNIT	2	
4	31132-08K20-000	.HOLDER, BRUSH	1	
5	31135-08K20-000	.SPRING	2	
6	31142-08K20-000	.WIRE, STARTER MOTOR	1	
7	31156-32G00-000	.O RING	1	
8	31157-08K20-000	.GASKET	1	
9	31173-08K20-000	.INSULATOR, BRUSH	1	
10	02112-3406A-000	.SCREW	2	
11	02112-3408A-000	.SCREW	1	
12	02112-3512A-000	.SCREW	3	
13	31370-32G01-000	PINION ASSY, STARTING MOTOR	1	
14	01547-0630A-000	BOLT	2	

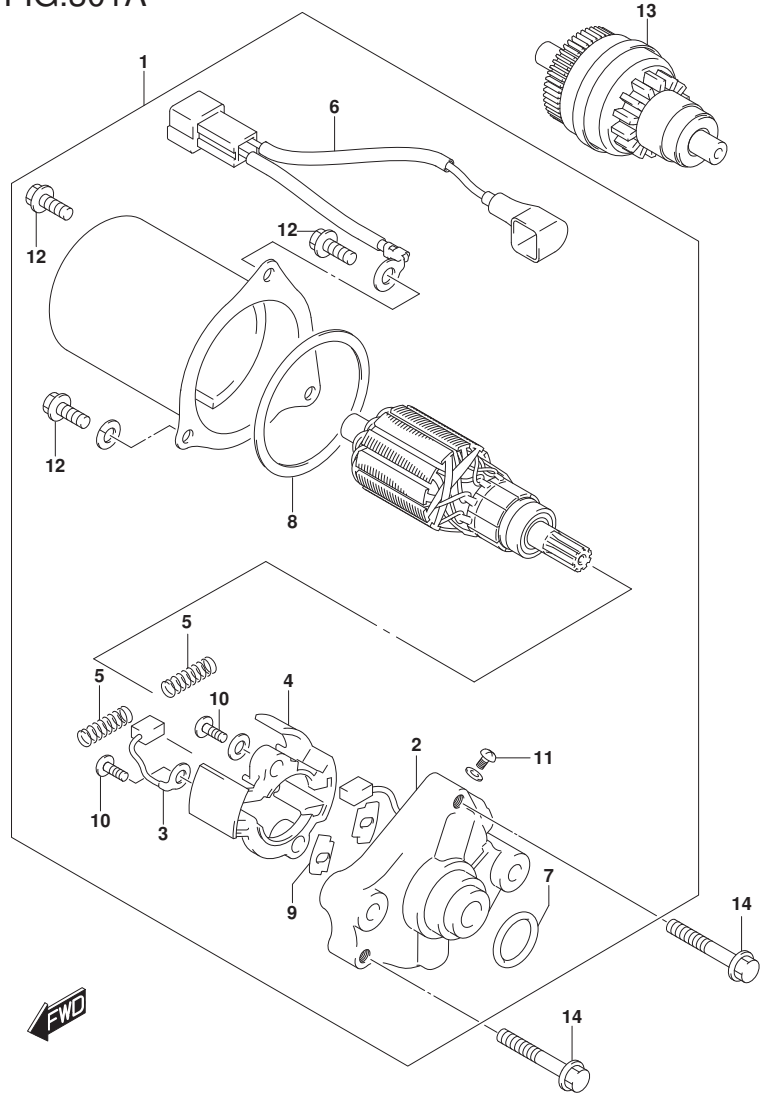


FIG.303A

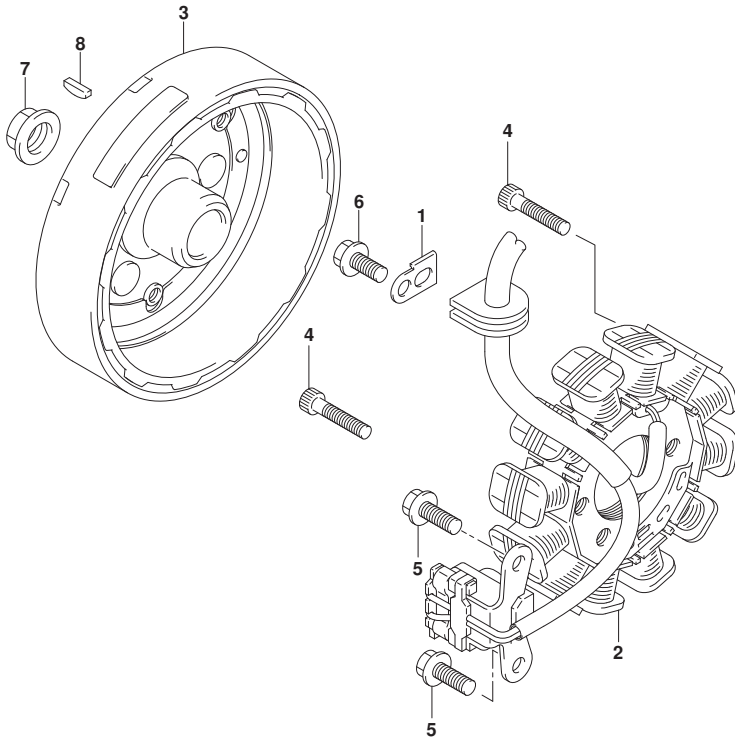


FIG.303A (1-C-7) MAGNETO

REF NO.	PART NO.	DESCRIPTION	QTY	REMARKS
1	31497-39J00-000	CLAMP, MAGNETO LEAD	1	
2	32101-02L00-000	STATOR ASSY	1	
3	32102-02L00-000	ROTOR ASSY	1	
4	07130-0625A-000	BOLT	2	
5	07130-0612A-000	BOLT	2	
6	07130-0612A-000	BOLT	1	
7	08316-1010A-000	NUT	1	
8	08341-31039-000	KEY	1	



FIG.310A

FIG.310A (1-C-8) BATTERY

REF NO.	PART NO.	DESCRIPTION	Q'TY	REMARKS
1	33620-08K10-000	BATTERY ASSY (YTZ4,12V3AH)	1	
2	09462-00034-000	BAND	1	

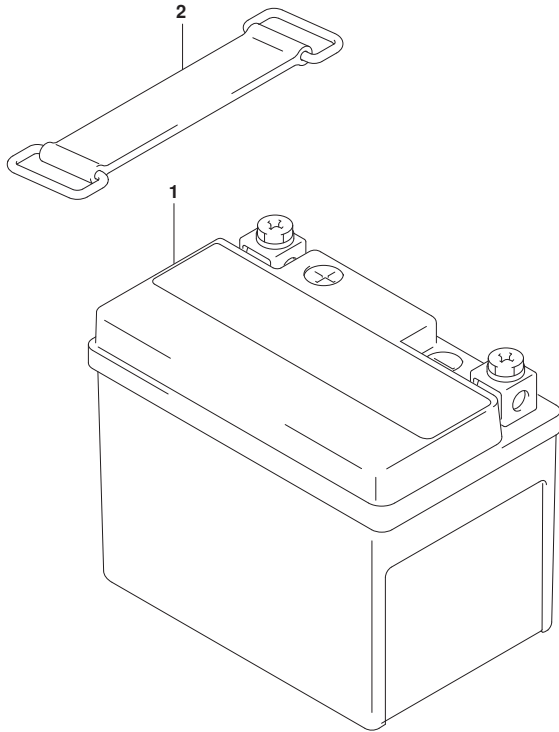


FIG.312A

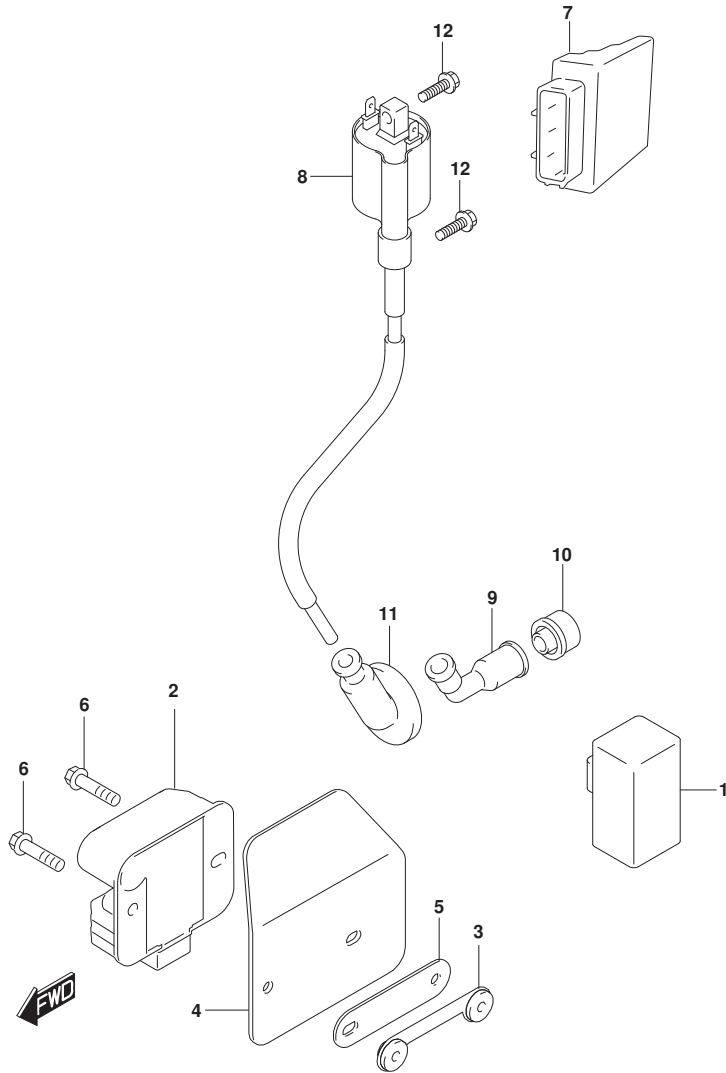


FIG.312A (1-C-9) ELECTRICAL

REF NO.	PART NO.	DESCRIPTION	Q'TY	REMARKS
1	31800-23J20-000	RELAY ASSY, STARTING MOTOR	1	
2	32800-02L02-000	RECTIFIER ASSY	1	
3	32830-14L00-000	NUT, PLATE	1	
4	32832-14L00-000	PLATE, RECTIFIER	1	
5	32832-14L10-000	SPACER, PLATE	1	
6	01547-0625A-000	BOLT	2	
7	32920-02L32-000	CONTROL UNIT, FI	1	
8	33410-02L11-000	COIL ASSY, IGNITION	1	
9	33510-08K00-000	CAP, SPARK PLUG	1	
10	33541-08K00-000	SEAL, SPARK PLUG	1	
11	33542-08K01-000	SEAL, HIGH TENSION CORD	1	
12	01547-0620A-000	BOLT	2	

FIG.330A

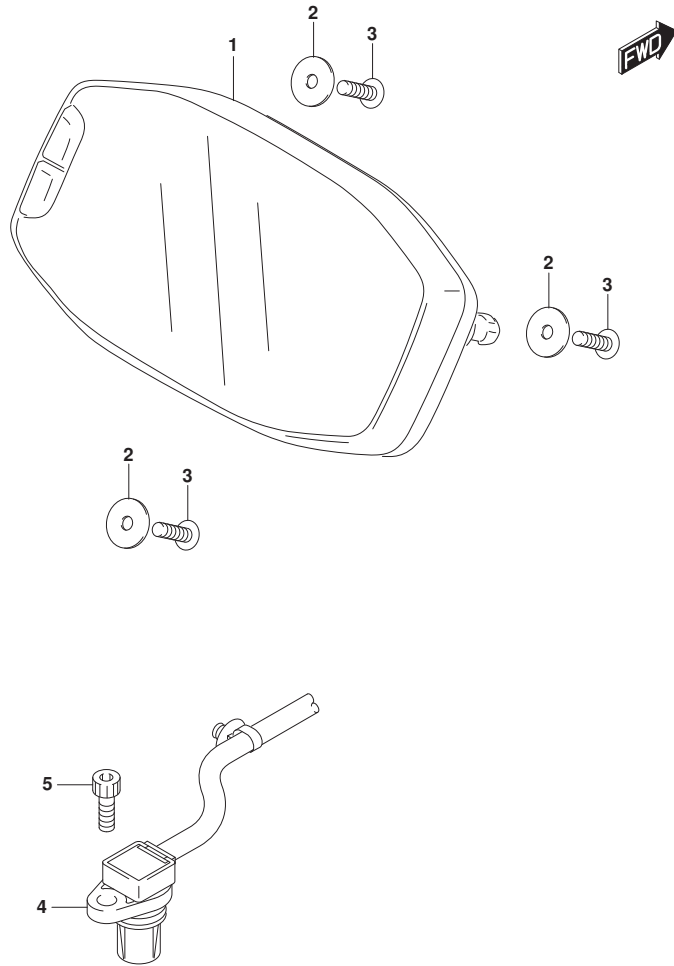


FIG.330A (1-C-10) SPEEDOMETER

REF NO.	PART NO.	DESCRIPTION	Q'TY	REMARKS
1	34100-14L11-000	SPEEDOMETER ASSY	1	
2	09160-04026-000	WASHER (4.5X16X1.2)	3	
3	03541-0416A-000	SCREW	3	
4	34990-44K01-000	SENSOR, SPEED	1	
5	07130-0616A-000	BOLT	1	

FIG.333A

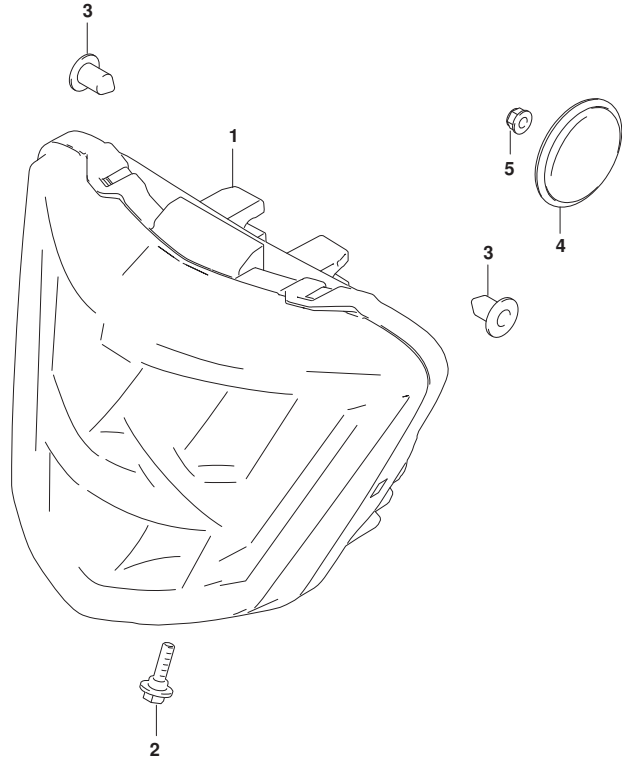
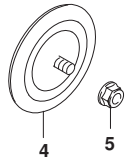


FIG.333A (1-C-11) HEADLAMP

REF NO.	PART NO.	DESCRIPTION	Q'TY	REMARKS
1	35100-14L20-000	HEADLAMP ASSY	1	
2	35151-44J00-000	SCREW, HEADLAMP	1	
3	51831-30H10-000	CUSHION, METER BRACE	2	
4	35950-20L00-000	REFLEX REFLECTOR ASSY, SIDE	2	
5	08319-3106A-000	NUT	2	

FIG.334A

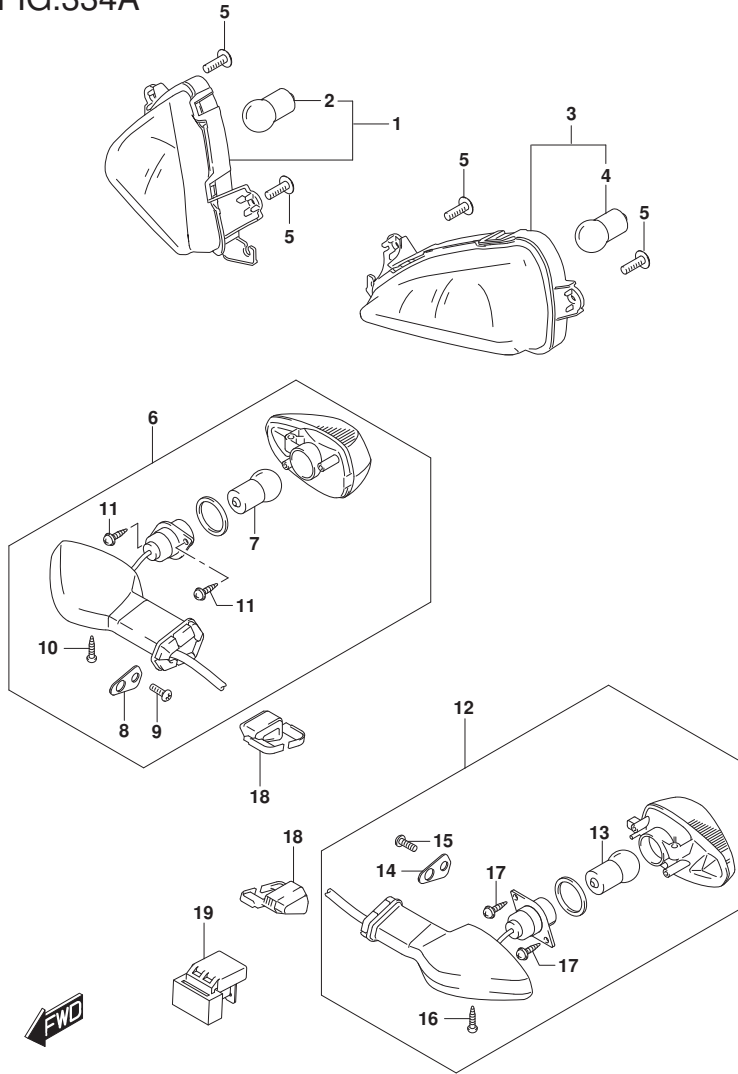


FIG.334A (1-C-12) TURN SIGNAL LAMP

REF NO.	PART NO.	DESCRIPTION	Q'TY	REMARKS
1	35601-14L00-000	LAMP ASSY, FRONT TURN SIGNAL RH	1	
2	09471-12216-000	.BULB (12V5W)	1	
3	35602-14L00-000	LAMP ASSY, FRONT TURN SIGNAL LH	1	
4	09471-12216-000	.BULB (12V5W)	1	
5	03541-0516A-000	SCREW	4	
6	35603-20LA0-000	LAMP ASSY, REAR TURN SIGNAL RH	1	
7	35222-34J80-000	.BULB (12V10W, AMBER)	1	
8	35616-34J00-000	.PLATE	1	
9	35623-34J00-000	.SCREW	1	
10	35623-34J30-000	.SCREW	1	
11	35623-34J40-000	.SCREW	2	
12	35604-20LA0-000	LAMP ASSY, REAR TURN SIGNAL LH	1	
13	35222-34J80-000	.BULB (12V10W, AMBER)	1	
14	35616-34J00-000	.PLATE	1	
15	35623-34J00-000	.SCREW	1	
16	35623-34J30-000	.SCREW	1	
17	35623-34J40-000	.SCREW	2	
18	35629-34J30-000	PLATE, FRONT TURN SIGNAL	2	
19-1	38610-23J10-000	RELAY ASSY, TURN SIGNAL	1	
19-2	38610-23J30-000	RELAY ASSY, TURN SIGNAL	1	
19-3	38610-27K01-000	RELAY ASSY, TURN SIGNAL	1	

FIG.339A

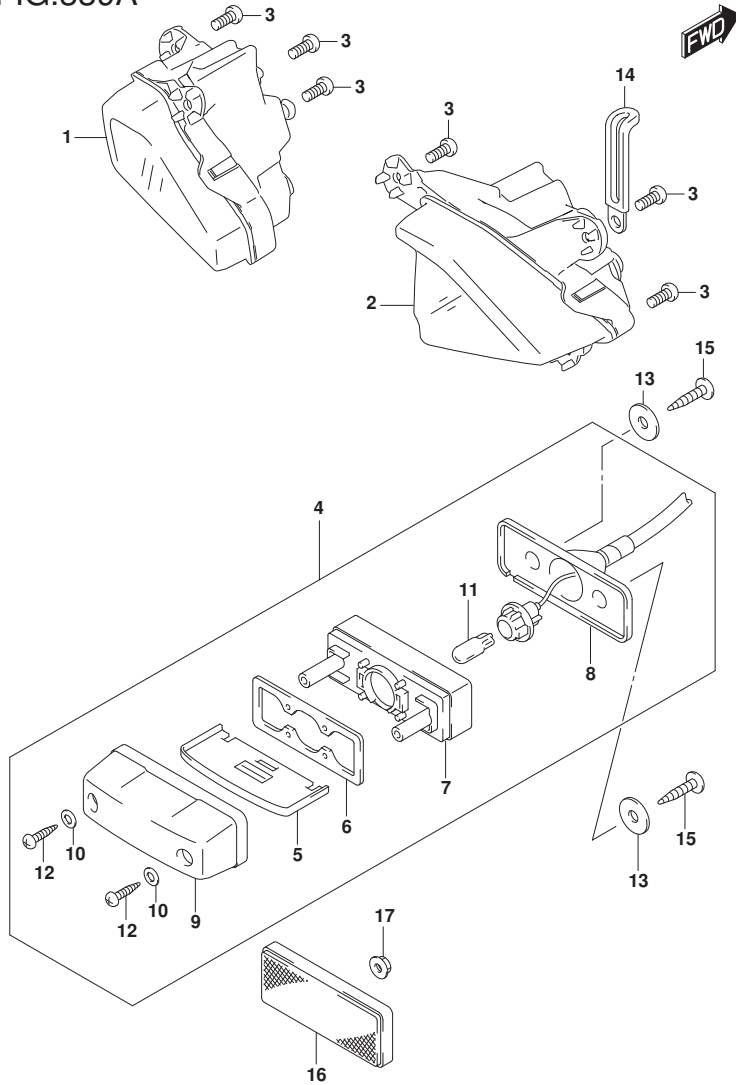


FIG.339A (1-C-13) REAR COMBINATION LAMP

REF NO.	PART NO.	DESCRIPTION	Q'TY	REMARKS
1	35701-14L00-000	LAMP ASSY, REAR COMB RH	1	
2	35702-14L00-000	LAMP ASSY, REAR COMB LH	1	
3	03541-0516A-000	SCREW	6	
4	35910-16GD0-000	LAMP ASSY, LICENSE	1	
5	35912-30H01-000	.LENS	1	
6	35913-30H00-000	.GASKET	1	
7	35915-30H00-000	.HOUSING	1	
8	35916-30H00-000	.RUBBER PAD	1	
9	35917-30H00-000	.COVER	1	
10	35926-30H00-000	.WASHER	2	
11	09471-12216-000	.BULB (12V5W)	1	
12	03211-04207-000	.SCREW	2	
13	09160-05501-000	WASHER (5.5X20X1.2)	2	
14	09404-06429-000	CLAMP (L:45)	1	
15	03541-0520A-000	SCREW	2	
16	35970-28G00-000	REFLECTOR ASSY, RR	1	
17	08319-3105A-000	NUT	1	

FIG.350A

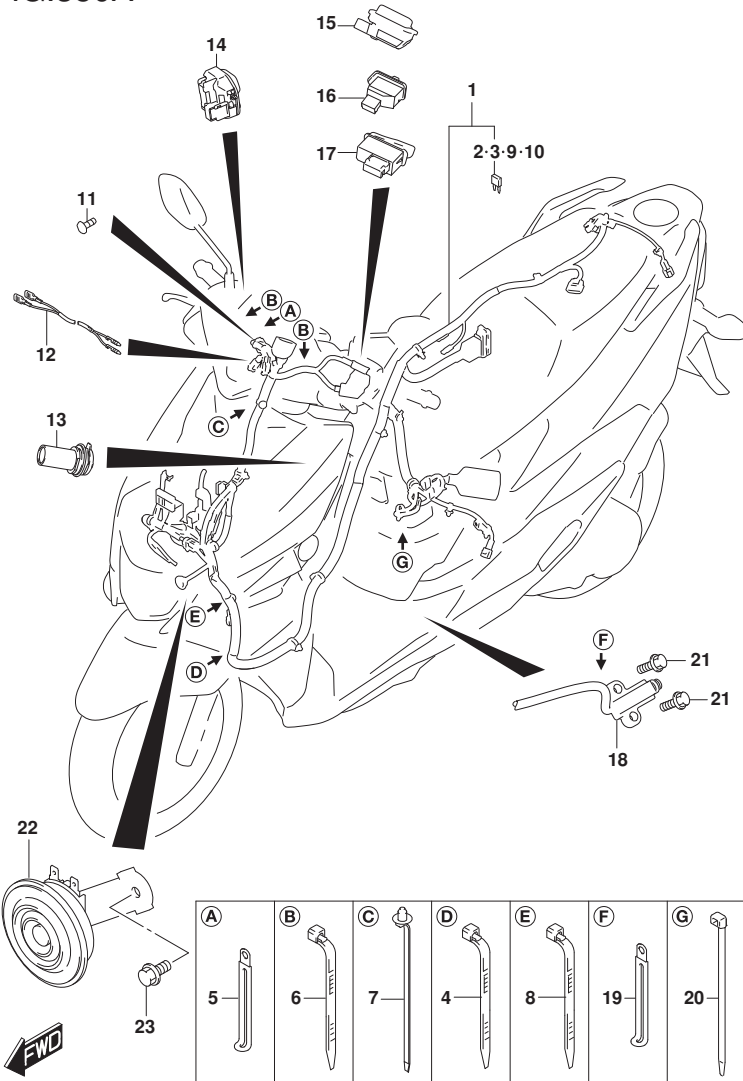


FIG.350A (1-C-14) WIRING HARNESS

REF NO.	PART NO.	DESCRIPTION	Q'TY	REMARKS
1	36610-14L00-000	HARNESS, WIRING	1	
2	09481-15501-000	.FUSE (15A)	1	
3	09481-20501-000	.FUSE (20A)	1	
4	36990-70F20-000	CLAMP, COMB SW WIRE (L:165)	1	
5	09404-06429-000	CLAMP (L:45)	1	
6	09407-14L01-000	CLAMP (L:125)	2	
7	09407-15408-000	CLAMP	1	
8	09407-29403-000	CLAMP	1	
9	09481-15501-000	FUSE (15A)	1	
10	09481-20501-000	FUSE (20A)	1	
11	03541-0416A-000	SCREW	1	
12	36852-44K01-000	WIRE, FRONT BRAKE SW LEAD	1	
13	39105-44K01-000	SOCKET, USB	1	
14	37330-02L11-000	SWITCH ASSY, STARTER & ENG STOP	1	
15	37420-02L11-000	SWITCH ASSY, DIMMER	1	
16	37510-33G11-000	SWITCH ASSY, TURNSIGNAL	1	
17	37520-33G11-000	SWITCH ASSY, HORN	1	
18	37840-02L11-000	SWITCH ASSY, SIDE STAND	1	
19	09404-06429-000	CLAMP (L:45)	1	
20	09407-14407-000	CLAMP (L:145)	1	
21	01550-0620A-000	BOLT	2	
22	38500-48G31-000	HORN ASSY	1	
23	01550-0612A-000	BOLT	1	

FIG.352A

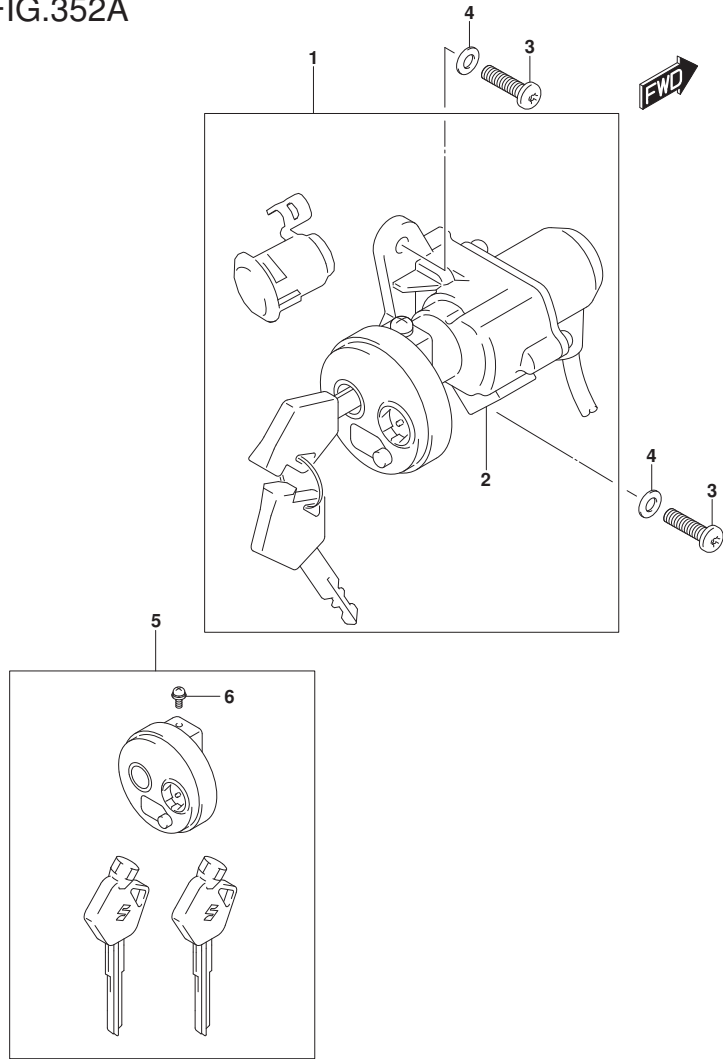


FIG.352A (1-D-2) LOCK SET

REF NO.	PART NO.	DESCRIPTION	Q'TY	REMARKS
1	37100-08850-000	LOCK SET	1	
2	37100-08K10-000	.LOCK ASSY, STEERING	1	
3	37152-30H00-000	BOLT, STEERING LOCK	2	
4	08322-0106A-000	WASHER	2	
5	37155-08820-000	SHUTTER SET	1	
6	02112-3510A-000	.SCREW	1	

FIG.401A

FIG.401A (1-D-3) FRAME

REF NO.	PART NO.	DESCRIPTION	Q'TY	REMARKS
1	41100-14L01-000	FRAME	1	
2	41180-02L00-000	BRACKET, CRANKCASE	1	
3	41184-39J00-000	BUSH, CRANKCASE BRKT	2	
4	41170-09J10-000	SPACER, CRANKCASE BRKT	1	
5	41189-39J00-000	BOLT, CRANKCASE BRKT (10X255)	1	
6	08319-3110A-000	NUT	1	
7	41185-09J10-000	CUSHION	2	
8	41185-08K00-000	CUSHION, SWING STOP	1	
9	33652-34J00-000	PROTECTOR, BATTERY	1	

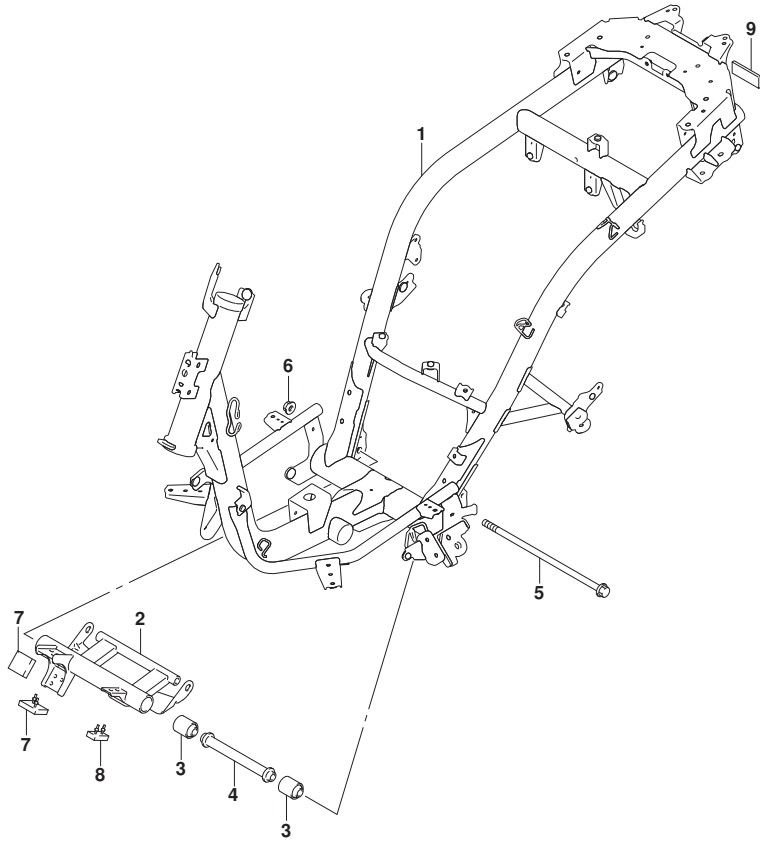


FIG.405A

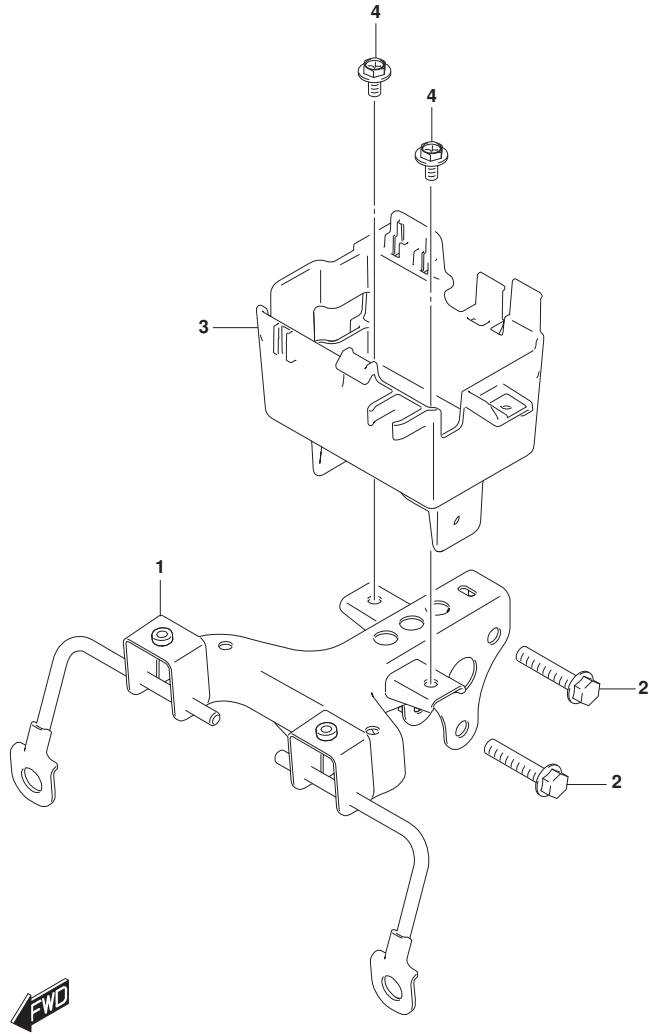


FIG.405A (1-D-4) BATTERY HOLDER

REF NO.	PART NO.	DESCRIPTION	Q'TY	REMARKS
1	41540-14L00-000	HOLDER, BATTERY NO.2	1	
2	01550-0840A-000	BOLT	2	
3	41521-14L00-000	HOLDER, BATTERY NO.1	1	
4	09111-06106-000	BOLT (6X12)	2	

FIG.407A

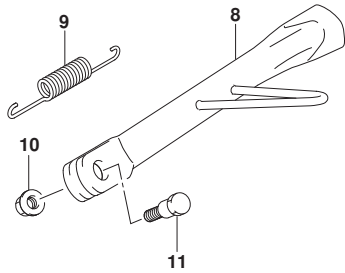
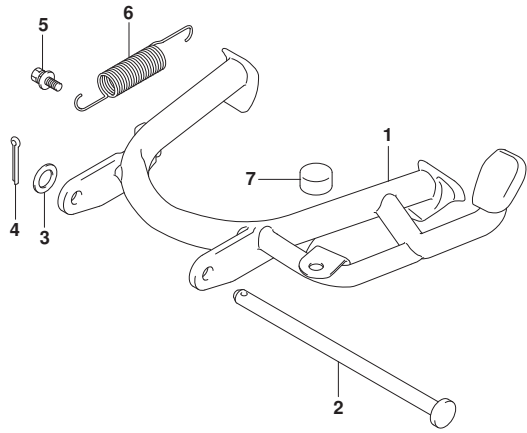


FIG.407A (1-D-5) STAND

REF NO.	PART NO.	DESCRIPTION	Q'TY	REMARKS
1	42100-02L00-000	STAND, CENTER	1	
2	42211-39J00-000	SHAFT, CTR STAND	1	
3	42275-25J00-000	WASHER, CTR STAND	1	
4	04111-3020A-000	PIN	1	
5	42251-32G00-000	BOLT, CTR STAND SPRING	1	
6	09443-17026-000	SPRING	1	
7	42278-44K00-000	CUSHION	1	
8	42310-02L10-000	STAND, PROP	1	
9	42421-02L00-000	SPRING, PROP STAND INNER	1	
10	08319-3110A-000	NUT	1	
11	42341-27K00-000	BOLT, PROP STAND (10X33)	1	

FIG.415A

FIG.415A (1-D-6) FOOTREST

REF NO.	PART NO.	DESCRIPTION	Q'TY	REMARKS
1	43611-44K10-000	BAR, PILLION FOOTREST RH	1	
2	43621-44K10-000	BAR, PILLION FOOTREST LH	1	
3	09200-08077-000	PIN	2	
4	04111-2515A-000	PIN	2	
5	09440-05003-000	SPRING	2	
6	06111-07004-000	BALL	2	

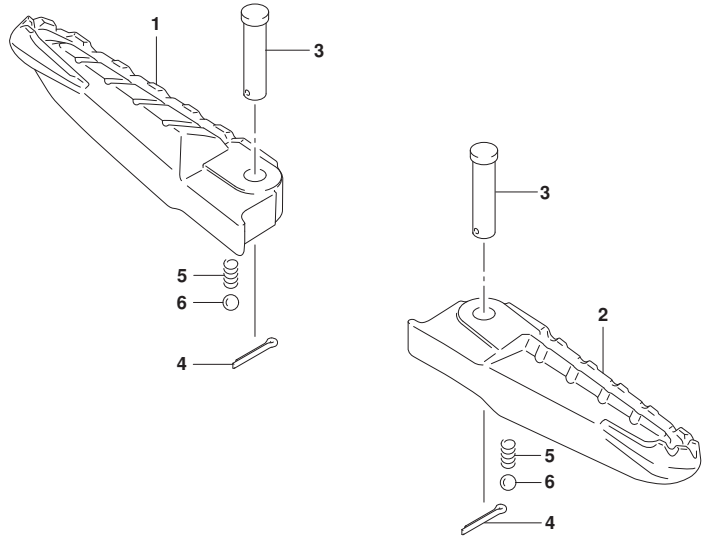


FIG.420A

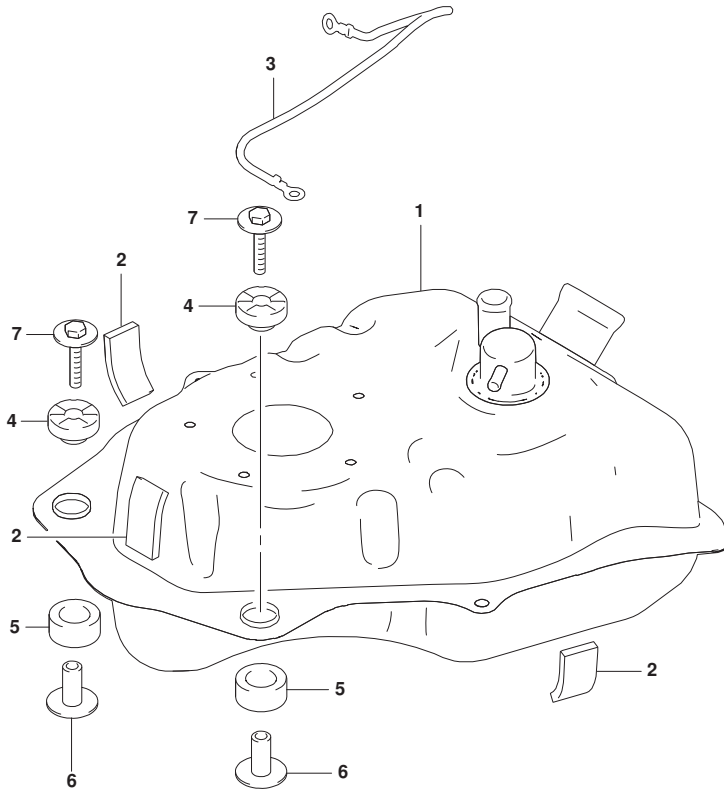


FIG.420A (1-D-7) FUEL TANK

REF NO.	PART NO.	DESCRIPTION	Q'TY	REMARKS
1	44100-14L10-000	TANK SET, FUEL	1	
2	44281-02L00-000	CUSHION, FUEL TANK UPR 2	3	
3	36851-14L01-000	WIRE, FUEL TANK	1	
4	44541-44J00-000	CUSHION, FUEL TANK UPR	2	
5	44542-44J00-000	CUSHION, FUEL TANK LWR	2	
6	44544-27K00-000	SPACER, FUEL TANK CUSHION	2	
7	09116-06097-000	BOLT (6X35)	2	



FIG.427A

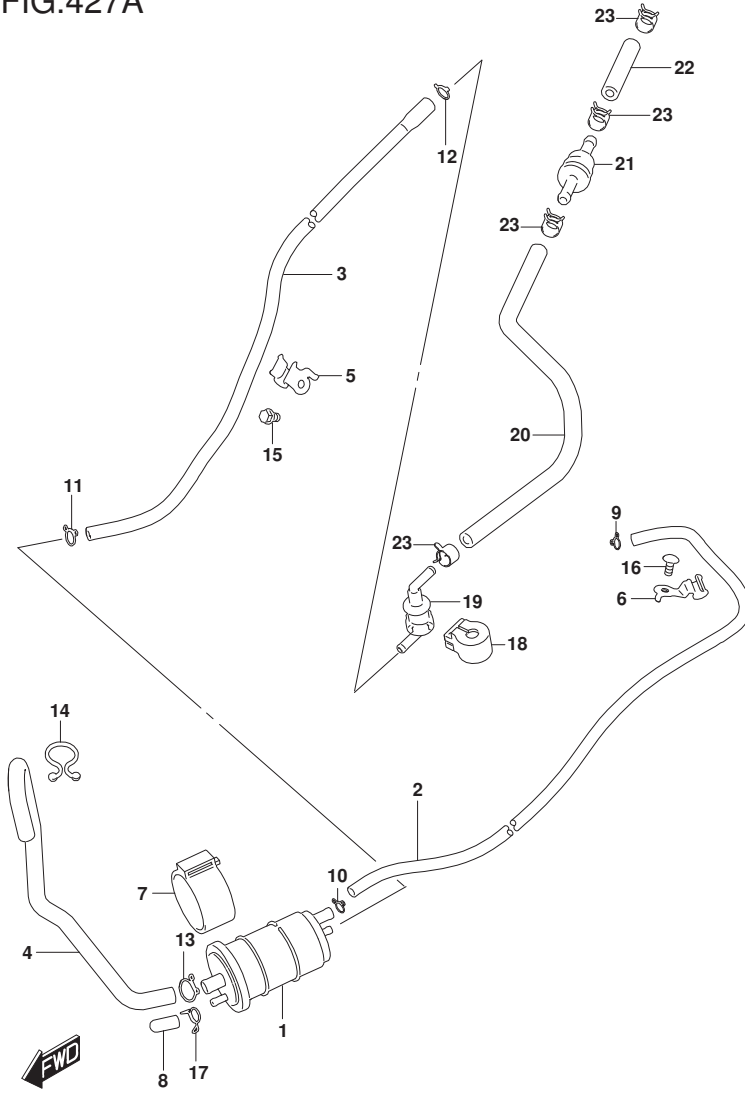


FIG.427A (1-D-8) EVAP SYSTEM

REF NO.	PART NO.	DESCRIPTION	Q'TY	REMARKS
1	18560-02L00-000	CANISTER ASSY, EVAP	1	
2	18561-14L01-000	HOSE, CSTR PURGE	1	
3	18563-14L00-000	HOSE, CSTR SURGE	1	
4	18567-02L00-000	HOSE, CSTR AIR	1	
5	18571-02L00-000	CLAMP, PURGE HOSE NO.1	1	
6	18572-02L00-000	CLAMP, PURGE HOSE NO.2	1	
7	18573-02L00-000	CUSHION, CANISTER	1	
8	09251-04004-000	CAP	1	
9	09401-08001-000	CLIP	1	
10	09401-09101-000	CLIP	1	
11	09401-09101-000	CLIP	1	
12	09401-10401-000	CLIP	1	
13	09401-13102-000	CLIP	1	
14	09408-00343-000	CLAMP	1	
15	01547-0610A-000	BOLT	1	
16	03541-0512A-000	SCREW	1	
17	09401-09406-000	CLIP	1	
18	44894-39J10-000	CUSHION, FUEL TANK BRTHR	1	
19	44240-13H00-000	VALVE, FUEL TANK BREATHER	1	
20	44434-14L00-000	HOSE, TANK & 2 WAY VALVE	1	
21	89485-771C0-000	VALVE, 2 WAY CHECK	1	
22	44435-14L00-000	HOSE, CHECK VALVE & BRTH VALVE	1	
23	09401-09L03-000	CLIP (ID:9.4,H:8)	4	

FIG.429A

FIG.429A (1-D-9) FUEL INLET

REF NO.	PART NO.	DESCRIPTION	Q'TY	REMARKS
1	89280-77A00-000	VALVE, FUEL TANK INLET	1	
2	44160-14L00-000	BRACKET, FUEL TANK INLET	1	
3	44190-14L10-000	INLET, FUEL TANK UPPER	1	
4	44281-02L00-000	CUSHION, FUEL TANK UPR 2	1	
5	44422-14L00-000	HOSE, FUEL TANK FILLER	1	
6	44424-14L00-000	HOSE, FUEL TANK AIR VENT	1	
7	47162-30H00-000	CUSHION (8X26X7)	2	
8	09106-08211-000	BOLT (8X16)	2	
9	09400-45L01-000	CLAMP	2	
10	09401-20002-000	CLIP	2	
11	02112-0408A-000	SCREW	4	
12	44210-14L00-000	CAP, FUEL TANK FILLER	1	
13	44218-14L00-000	COVER, FUEL TANK CAP	1	
14	44281-14L00-000	CUSHION, FUEL TANK FILLER CAP	3	
15	02112-0416A-000	SCREW	3	
16	44230-14L01-000	CABLE ASSY, FUEL TANK CAP	1	
17	44231-14L00-000	PLATE, LOCK CABLE	1	
18	45288-20G20-000	GUIDE, SEAT LOCK CABLE	1	
19	95700-14830-000	LOCK SET, FUEL TANK CAP	1	
20	44423-14L00-000	HOSE, FUEL DRAIN	1	

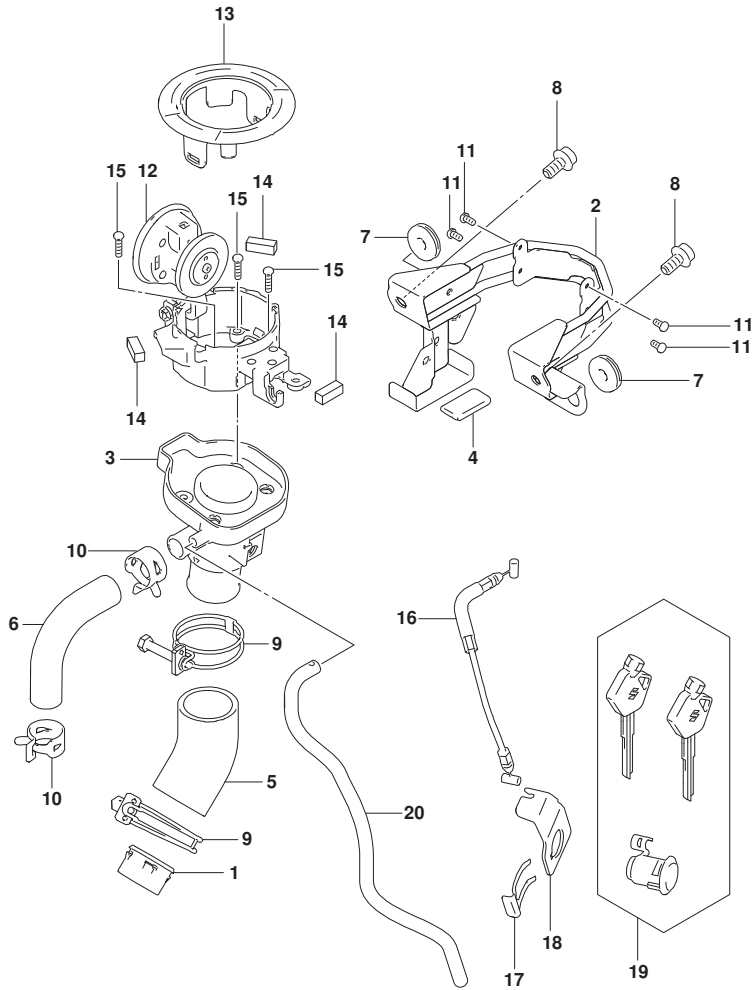


FIG.435A

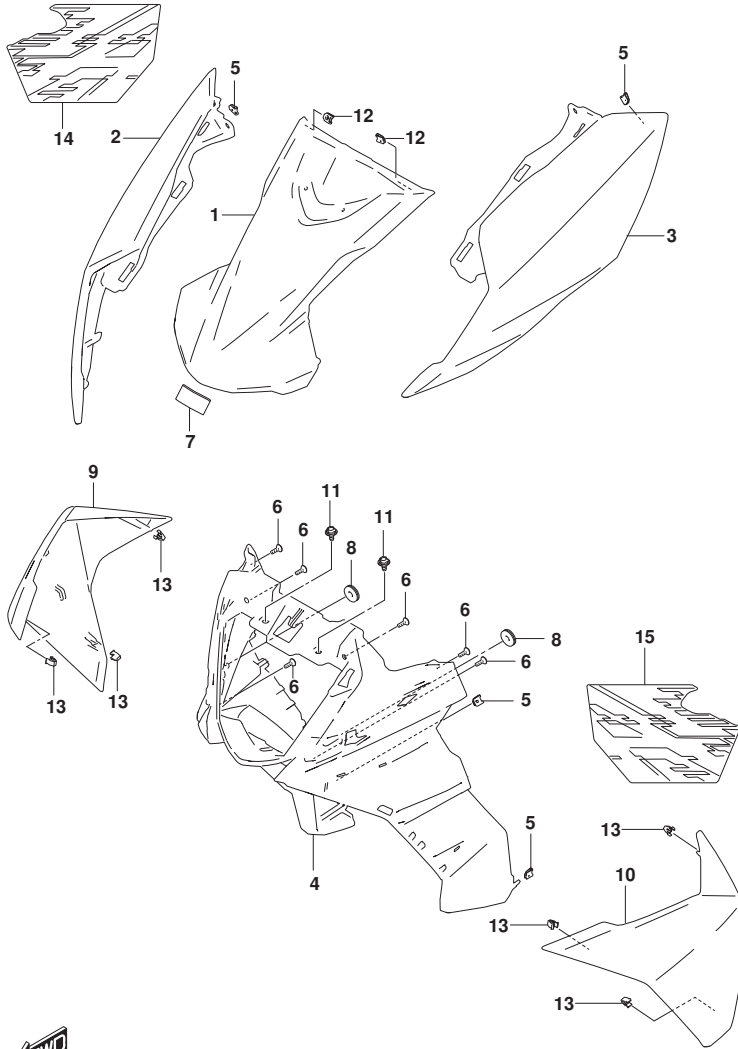


FIG.435A (1-D-10) FRONT LEG SHIELD (UN125M4 P08)

REF NO.	PART NO.	DESCRIPTION	Q'TY	REMARKS
1-1	48111-14L10-PGZ	SHIELD, LEG FRONT (GRAY)	1	FOR A8D
1-2	48111-14L10-YVB	SHIELD, LEG FRONT (BLACK)	1	FOR CC7,KGL
1-3	48111-14L10-YRD	SHIELD, LEG FRONT (GREEN)	1	FOR CC8
2-1	48112-14L00-YPA	SHIELD, LEG FRONT RH (WHITE)	1	FOR A8D
2-2	48112-14L00-QVN	SHIELD, LEG FRONT RH (ORANGE)	1	FOR CC7
2-3	48112-14L00-PGZ	SHIELD, LEG FRONT RH (GRAY)	1	FOR CC8
2-4	48112-14L00-YKV	SHIELD, LEG FRONT RH (BLACK)	1	FOR KGL
3-1	48113-14L00-YPA	SHIELD, LEG FRONT LH (WHITE)	1	FOR A8D
3-2	48113-14L00-QVN	SHIELD, LEG FRONT LH (ORANGE)	1	FOR CC7
3-3	48113-14L00-PGZ	SHIELD, LEG FRONT LH (GRAY)	1	FOR CC8
3-4	48113-14L00-YKV	SHIELD, LEG FRONT LH (BLACK)	1	FOR KGL
4	48114-14L00-000	SHIELD, LEG FRONT LOWER	1	
5	09148-05060-000	NUT (M5)	4	
6	03541-0516A-000	SCREW	6	
7	35690-41K00-000	CUSHION, TURN SIGNAL	1	
8	47162-30H00-000	CUSHION (8X26X7)	2	
9-1	48132-14L00-YPA	SHIELD, LEG SIDE FR RH (WHITE)	1	FOR A8D
9-2	48132-14L00-QVN	SHIELD, LEG SIDE FR RH (ORANGE)	1	FOR CC7
9-3	48132-14L00-PGZ	SHIELD, LEG SIDE FR RH (GRAY)	1	FOR CC8
9-4	48132-14L00-YKV	SHIELD, LEG SIDE FR RH (BLACK)	1	FOR KGL
10-1	48133-14L00-YPA	SHIELD, LEG SIDE FR LH (WHITE)	1	FOR A8D
10-2	48133-14L00-QVN	SHIELD, LEG SIDE FR LH (ORANGE)	1	FOR CC7
10-3	48133-14L00-PGZ	SHIELD, LEG SIDE FR LH (GRAY)	1	FOR CC8
10-4	48133-14L00-YKV	SHIELD, LEG SIDE FR LH (BLACK)	1	FOR KGL
11	63115-08K10-000	BOLT (6X16)	2	
12	09148-05060-000	NUT (M5)	2	
13-1	09409-08L09-000	CLIP	6	HARYANA
13-2	09409-08014-000	CLIP	6	ARAYMOND
14-1	68161-14L00-CDH	TAPE, LEG SIDE FRONT RH	1	FOR A8D
14-2	68161-14L00-CDJ	TAPE, LEG SIDE FRONT RH	1	FOR CC7
14-3	68161-14L00-CDK	TAPE, LEG SIDE FRONT RH	1	FOR CC8
14-4	68161-14L00-KGL	TAPE, LEG SIDE FRONT RH (BLACK)	1	FOR KGL



FIG.435A

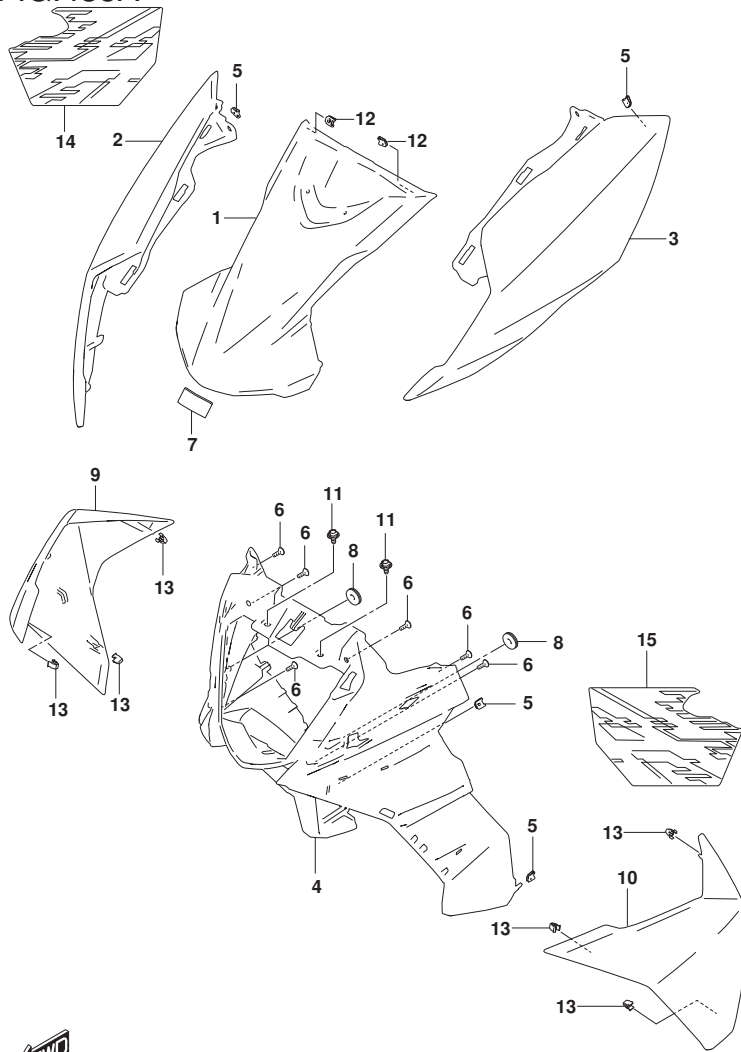


FIG.435A (1-D-11) FRONT LEG SHIELD (UN125NEM4 P08)

REF NO.	PART NO.	DESCRIPTION	Q'TY	REMARKS
15-1	68162-14L00-CDH	TAPE, LEG SIDE FRONT LH	1	FOR A8D
15-2	68162-14L00-CDJ	TAPE, LEG SIDE FRONT LH	1	FOR CC7
15-3	68162-14L00-CDK	TAPE, LEG SIDE FRONT LH	1	FOR CC8
15-4	68162-14L00-KGL	TAPE, LEG SIDE FRONT LH (BLACK)	1	FOR KGL



FIG.435B

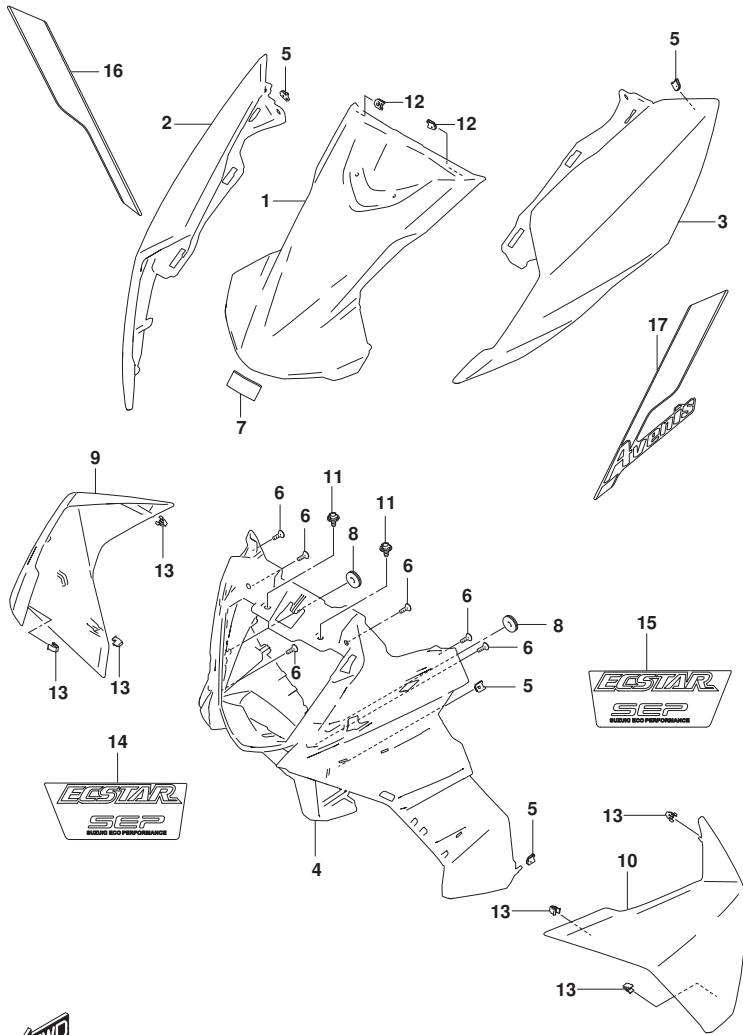


FIG.435B (1-D-12) FRONT LEG SHIELD (UN125NEZM4 P08)

REF NO.	PART NO.	DESCRIPTION	Q'TY	REMARKS
1	48111-14L10-YVB	SHIELD, LEG FRONT (BLACK)	1	
2	48112-14L00-YSF	SHIELD, LEG FRONT RH (BLUE)	1	
3	48113-14L00-YSF	SHIELD, LEG FRONT LH (BLUE)	1	
4	48114-14L00-000	SHIELD, LEG FRONT LOWER	1	
5	09148-05060-000	NUT (M5)	4	
6	03541-0516A-000	SCREW	6	
7	35690-41K00-000	CUSHION, TURN SIGNAL	1	
8	47162-30H00-000	CUSHION (8X26X7)	2	
9	48132-14L00-YD8	SHIELD, LEG SIDE FR RH (SILVER)	1	
10	48133-14L00-YD8	SHIELD, LEG SIDE FR LH (SILVER)	1	
11	63115-08K10-000	BOLT (6X16)	2	
12	09148-05060-000	NUT (M5)	2	
13-1	09409-08L09-000	CLIP	6	HARYANA
13-2	09409-08014-000	CLIP	6	ARAYMOND
14	68161-14L30-C13	TAPE, LEG SIDE FRONT RH	1	
15	68162-14L30-C13	TAPE, LEG SIDE FRONT LH	1	
16	68645-14L10-BPD	TAPE, LEG SHIELD RH (SILVER/BLUE)	1	
17	68655-14L10-CPG	TAPE, LEG SHIELD LH	1	

FIG.438A

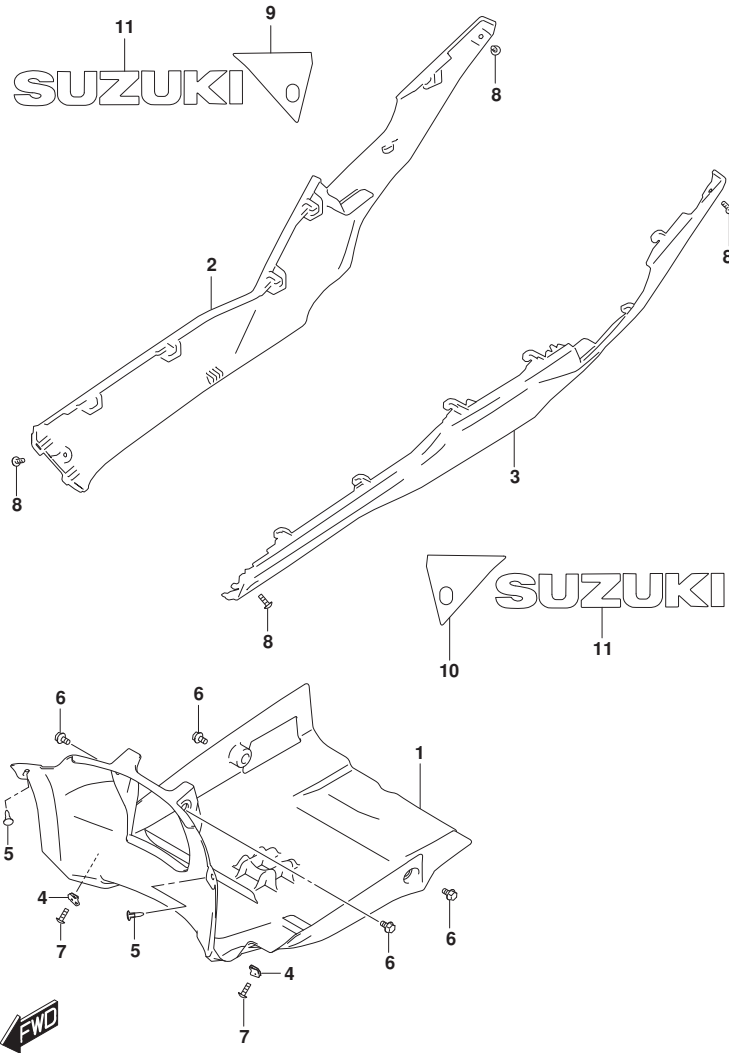


FIG.438A (1-D-13) SIDE LEG SHIELD (UN125NEM4 P08)

REF NO.	PART NO.	DESCRIPTION	Q'TY	REMARKS
1	48131-44K40-000	COVER, UNDER	1	
2-1	48134-14L00-YPA	SHIELD, LEG SIDE RR RH (WHITE)	1	FOR A8D
2-2	48134-14L00-QVN	SHIELD, LEG SIDE RR RH (ORANGE)	1	FOR CC7
2-3	48134-14L00-PGZ	SHIELD, LEG SIDE RR RH (GRAY)	1	FOR CC8
2-4	48134-14L00-YKV	SHIELD, LEG SIDE RR RH (BLACK)	1	FOR KGL
3-1	48135-14L00-YPA	SHIELD, LEG SIDE RR LH (WHITE)	1	FOR A8D
3-2	48135-14L00-QVN	SHIELD, LEG SIDE RR LH (ORANGE)	1	FOR CC7
3-3	48135-14L00-PGZ	SHIELD, LEG SIDE RR LH (GRAY)	1	FOR CC8
3-4	48135-14L00-YKV	SHIELD, LEG SIDE RR LH (BLACK)	1	FOR KGL
4	09148-05060-000	NUT (M5)	2	
5-1	09409-06L07-000	CLIP	2	HARYANA
5-2	09409-06346-000	CLIP	2	ARAYMOND
6	01550-0612A-000	BOLT	4	
7	03541-0516A-000	SCREW	2	
8	03541-0516B-000	SCREW	4	
9-1	68163-14L00-JDT	TAPE, LEG SIDE REAR RH (BLACK/WHITE)	1	FOR A8D
9-2	68163-14L00-CDG	TAPE, LEG SIDE REAR RH (BLACK/ORANGE)	1	FOR CC7
9-3	68163-14L00-AHW	TAPE, LEG SIDE REAR RH (GRAY/BLACK)	1	FOR CC8
10-1	68164-14L00-JDT	TAPE, LEG SIDE REAR LH (BLACK/WHITE)	1	FOR A8D
10-2	68164-14L00-CDG	TAPE, LEG SIDE REAR LH (BLACK/ORANGE)	1	FOR CC7
10-3	68164-14L00-AHW	TAPE, LEG SIDE REAR LH (GRAY/BLACK)	1	FOR CC8
11-1	68171-14L00-YVB	EMBLEM, SUZUKI (BLACK)	2	FOR A8D,CC7
11-2	68171-14L00-AR4	EMBLEM, SUZUKI (BLACK/GRAY)	2	FOR CC8
11-3	68171-14L00-KGL	EMBLEM, SUZUKI (BLACK)	2	FOR KGL

FIG.438B

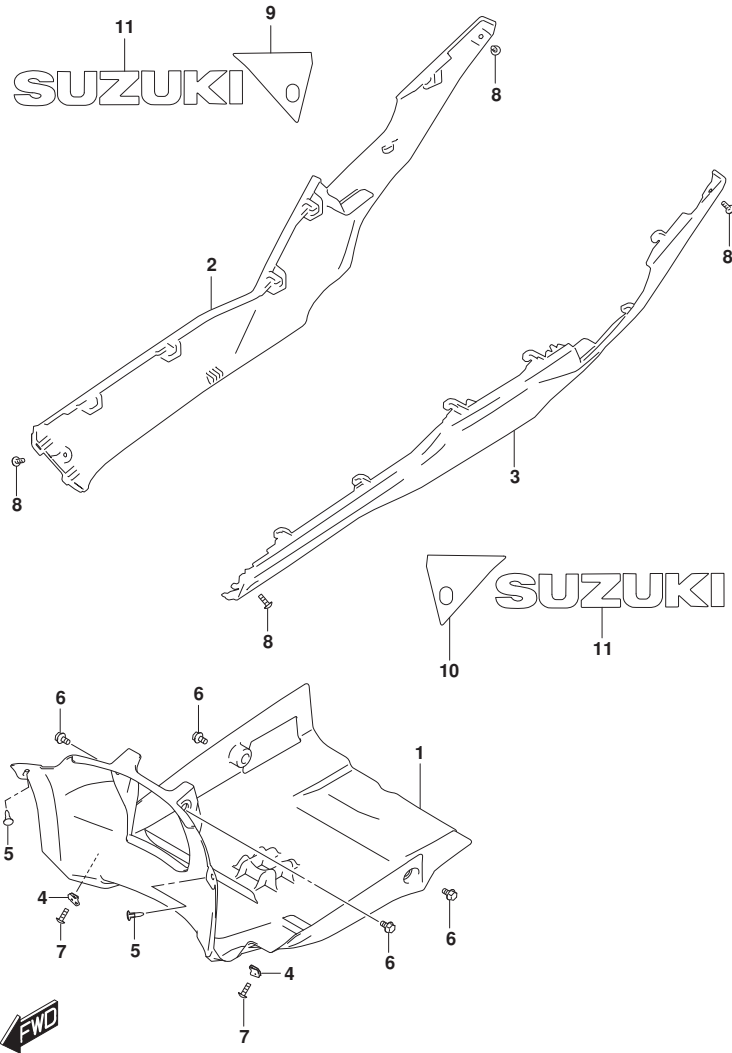


FIG.438B (1-D-14) SIDE LEG SHIELD (UN125NEZM4 P08)

REF NO.	PART NO.	DESCRIPTION	Q'TY	REMARKS
1	48131-44K40-000	COVER, UNDER	1	
2	48134-14L00-YD8	SHIELD, LEG SIDE RR RH (SILVER)	1	
3	48135-14L00-YD8	SHIELD, LEG SIDE RR LH (SILVER)	1	
4	09148-05060-000	NUT (M5)	2	
5-1	09409-06L07-000	CLIP	2	HARYANA
5-2	09409-06346-000	CLIP	2	ARAYMOND
6	01550-0612A-000	BOLT	4	
7	03541-0516A-000	SCREW	2	
8	03541-0516B-000	SCREW	4	
9	68163-14L00-CTY	TAPE, LEG SIDE REAR RH (SILVER/BLACK)	1	
10	68164-14L00-CTY	TAPE, LEG SIDE REAR LH (SILVER/BLACK)	1	
11	68171-14L00-YVB	EMBLEM, SUZUKI (BLACK)	2	

FIG.440A

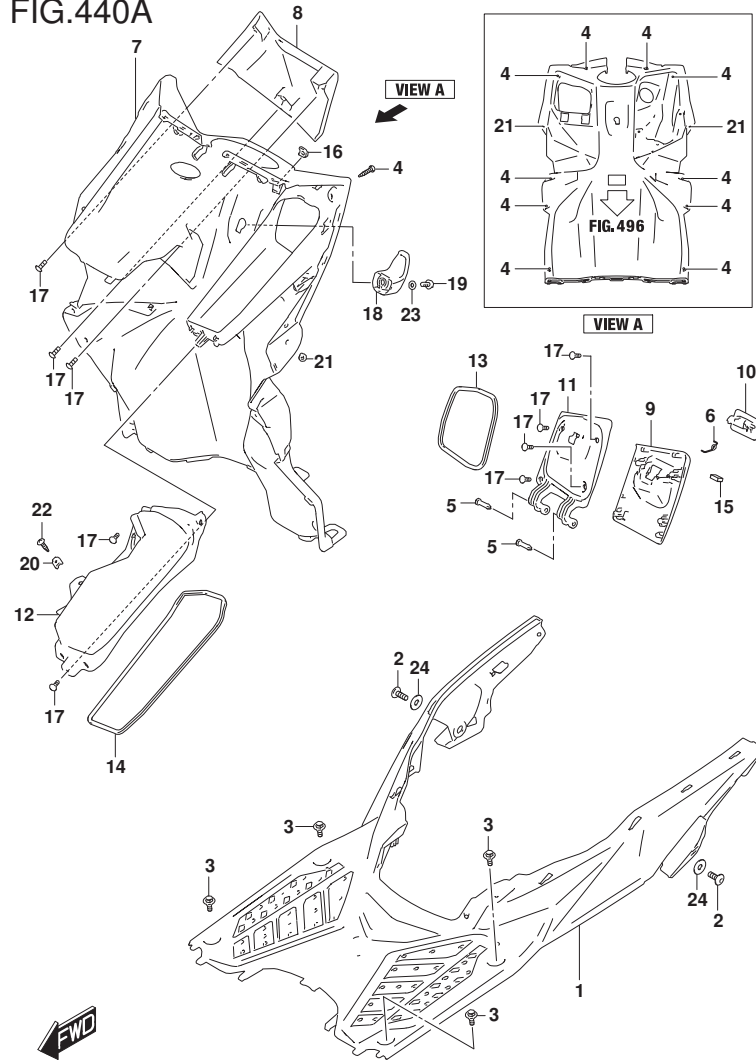


FIG.440A (1-E-2) REAR LEG SHIELD

REF NO.	PART NO.	DESCRIPTION	Q'TY	REMARKS
1	48121-14L00-000	FOOTBOARD, LEG SHIELD	1	
2	48115-27L10-000	BOLT, FOOTBOARD SIDE	2	
3	09111-06072-000	BOLT (6X17.8)	4	
4	03541-0520B-000	SCREW	10	
5	73423-50G00-000	PIN, GLOVE BOX HINGE	2	
6	73423-62D00-000	SPRING, GLOVE BOX LID	1	
7	92111-14L00-000	COVER, LEG SHIELD	1	
8	92112-14L00-000	RACK, LEG SHIELD	1	
9	92151-14L00-000	LID, FRONT PANEL	1	
10	92152-44K00-000	LOCK, FRONT PANEL BOX	1	
11	92153-14L00-000	LID, FRONT PANEL INNER	1	
12	92154-14L00-000	BOX, FRONT PANEL	1	
13	92155-44K00-000	CUSHION, FRONT BOX NO.1	1	
14	92156-14L00-000	CUSHION, FRONT BOX NO.2	1	
15	92158-44K00-000	CUSHION, FRONT BOX NO.4	1	
16	09148-05060-000	NUT (M5)	1	
17	03541-0516A-000	SCREW	9	
18	92171-08K00-291	HOOK, LEG SHIELD (BLACK)	1	
19	92172-44K00-000	BOLT, LEG SHIELD HOOK	1	
20	09148-05060-000	NUT (M5)	1	
21-1	09409-06L07-000	CLIP	2	HARYANA
21-2	09409-06346-000	CLIP	2	ARAYMOND
22	03541-0516A-000	SCREW	1	
23	08322-0106A-000	WASHER	1	
24	09160-06151-000	WASHER (6.5X18X1)	2	

FIG.445A

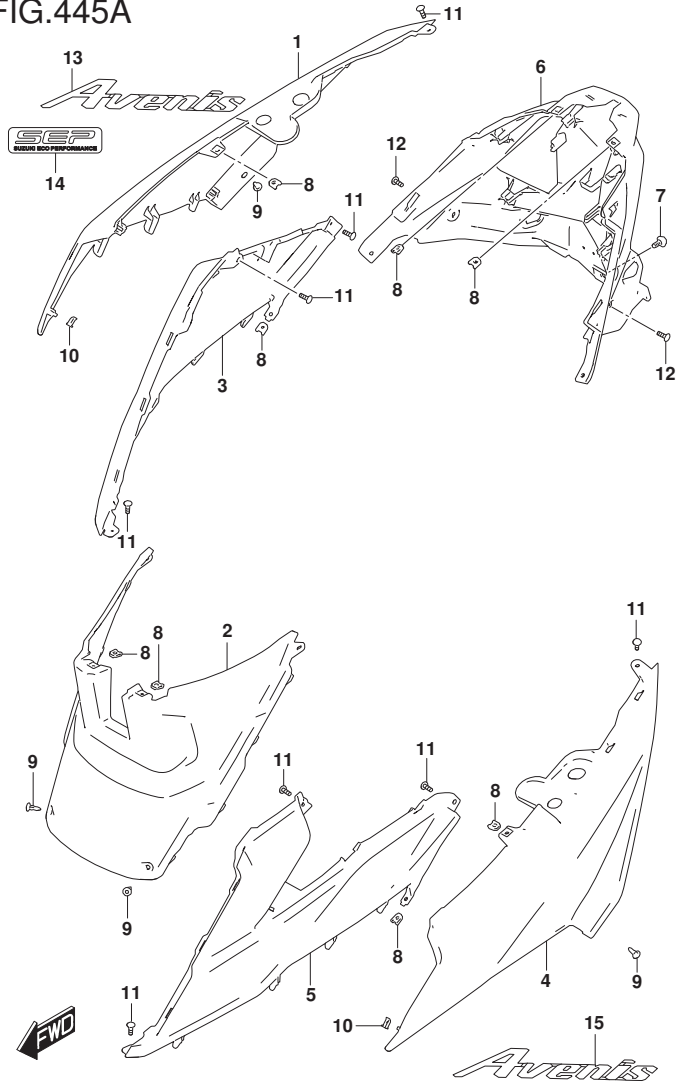


FIG.445A (1-E-3) FRAME COVER (UN125NEM4 P08)

REF NO.	PART NO.	DESCRIPTION	Q'TY	REMARKS
1-1	47111-14L00-YPA	COVER, FRAME RH (WHITE)	1	FOR A8D
1-2	47111-14L00-QVN	COVER, FRAME RH (ORANGE)	1	FOR CC7
1-3	47111-14L00-PGZ	COVER, FRAME RH (GRAY)	1	FOR CC8
1-4	47111-14L00-YKV	COVER, FRAME RH (BLACK)	1	FOR KGL
2	47121-14L00-000	COVER, FRAME FRONT	1	
3-1	47131-14L00-PGZ	COVER, FRAME LOWER RH (GRAY)	1	FOR A8D
3-2	47131-14L00-YVB	COVER, FRAME LOWER RH (BLACK)	1	FOR CC7,KGL
3-3	47131-14L00-YRD	COVER, FRAME LOWER RH (GREEN)	1	FOR CC8
4-1	47211-14L00-YPA	COVER, FRAME LH (WHITE)	1	FOR A8D
4-2	47211-14L00-QVN	COVER, FRAME LH (ORANGE)	1	FOR CC7
4-3	47211-14L00-PGZ	COVER, FRAME LH (GRAY)	1	FOR CC8
4-4	47211-14L00-YKV	COVER, FRAME LH (BLACK)	1	FOR KGL
5-1	47231-14L00-PGZ	COVER, FRAME LOWER LH (GRAY)	1	FOR A8D
5-2	47231-14L00-YVB	COVER, FRAME LOWER LH (BLACK)	1	FOR CC7,KGL
5-3	47231-14L00-YRD	COVER, FRAME LOWER LH (GREEN)	1	FOR CC8
6	47311-14L00-000	COVER, FRAME CENTER	1	
7	94413-30H00-000	BOLT, COWLING LWR (6X16.5)	1	
8	09148-05060-000	NUT (M5)	8	
9-1	09409-06L07-000	CLIP	4	HARYANA
9-2	09409-06346-000	CLIP	4	ARAYMOND
10	09409-08009-000	CLIP	2	
11	03541-0516A-000	SCREW	8	
12	03541-0516B-000	SCREW	2	
13	68131-14L00-YVB	EMBLEM, FRAME COVER RH (BLACK)	1	
14	68136-39J00-000	EMBLEM, FRAME COVER	1	
15	68141-14L00-YVB	EMBLEM, FRAME COVER LH (BLACK)	1	

FIG.445B

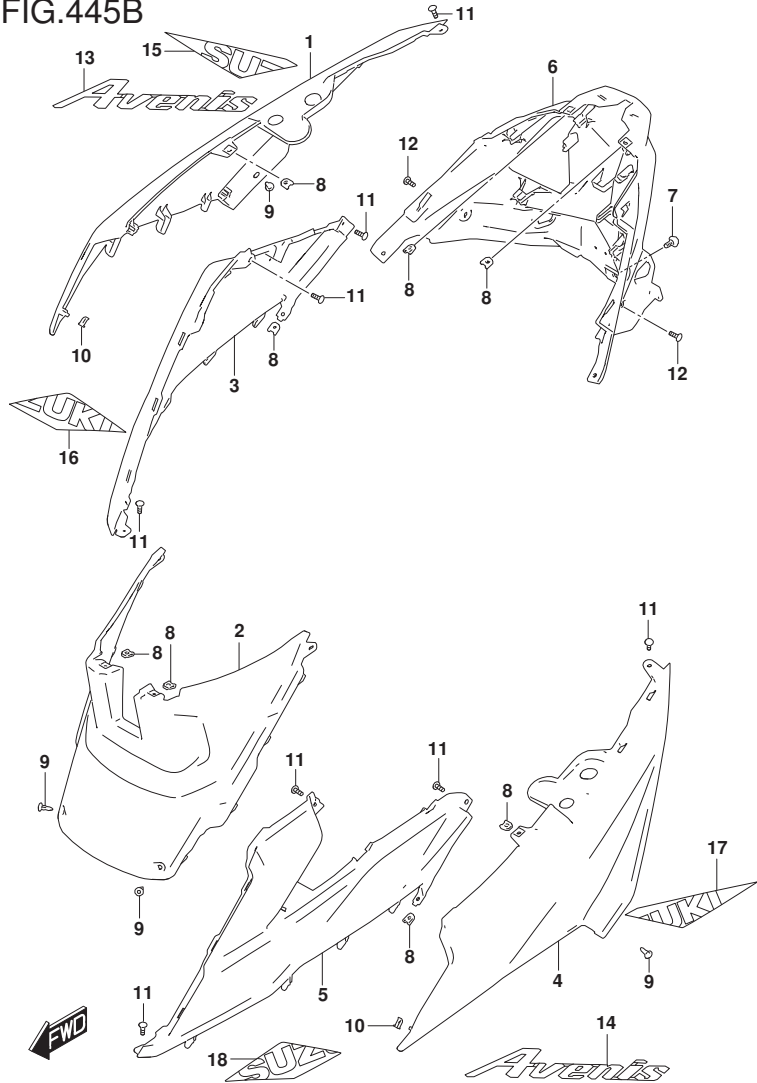


FIG.445B (1-E-4) FRAME COVER (UN125NEZM4 P08)

REF NO.	PART NO.	DESCRIPTION	Q'TY	REMARKS
1	47111-14L00-YSF	COVER, FRAME RH (BLUE)	1	
2	47121-14L00-000	COVER, FRAME FRONT	1	
3	47131-14L00-YVB	COVER, FRAME LOWER RH (BLACK)	1	
4	47211-14L00-YSF	COVER, FRAME LH (BLUE)	1	
5	47231-14L00-YVB	COVER, FRAME LOWER LH (BLACK)	1	
6	47311-14L00-000	COVER, FRAME CENTER	1	
7	94413-30H00-000	BOLT, COWLING LWR (6X16.5)	1	
8	09148-05060-000	NUT (M5)	8	
9-1	09409-06L07-000	CLIP	4	HARYANA
9-2	09409-06346-000	CLIP	4	ARAYMOND
10	09409-08009-000	CLIP	2	
11	03541-0516A-000	SCREW	8	
12	03541-0516B-000	SCREW	2	
13	68131-14L00-YVZ	EMBLEM, FRAME COVER RH (RED)	1	
14	68141-14L00-YVZ	EMBLEM, FRAME COVER LH (RED)	1	
15	68132-14L20-BPD	TAPE, FRAME COVER RH (SILVER/BLUE)	1	
16	68135-14L10-BPD	TAPE, FRAME COVER LOWER RH (SILVER/BLUE)	1	
17	68142-14L20-BPD	TAPE, FRAME COVER LH (SILVER/BLUE)	1	
18	68145-14L10-BPD	TAPE, FRAME COVER LOWER LH (SILVER/BLUE)	1	

FIG.456A

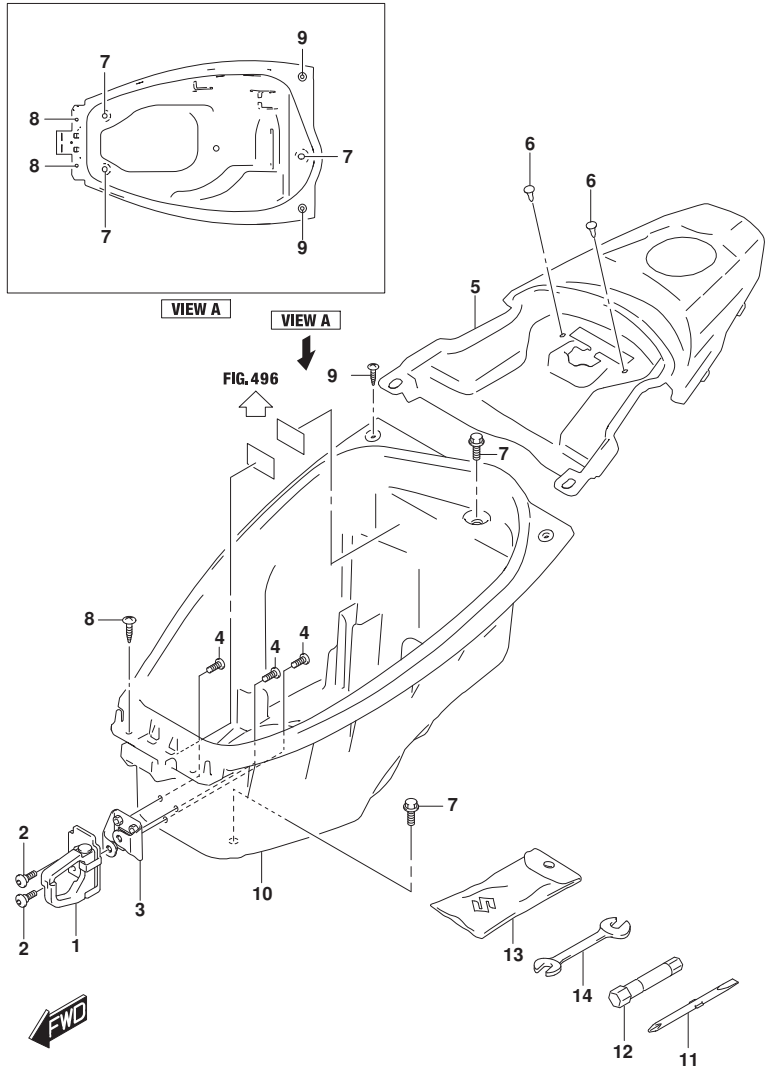


FIG.456A (1-E-5) HELMET BOX

REF NO.	PART NO.	DESCRIPTION	Q'TY	REMARKS
1	92170-33G60-291	HOOK ASSY, FRAME COVER (BLACK)	1	
2	92178-33G50-000	SCREW, FRAME COVER HOOK	2	
3	92180-08K01-000	BRACKET, FRAME COVER HOOK	1	
4	02142-0512A-000	SCREW	3	
5	92212-14L00-000	COVER, FUEL TANK	1	
6-1	09409-06L07-000	CLIP	2	HARYANA
6-2	09409-06346-000	CLIP	2	ARAYMOND
7	01550-0612A-000	BOLT	3	
8	03541-0516A-000	SCREW	2	
9	03541-0520A-000	SCREW	2	
10	92211-44K10-000	BOX, HELMET	1	
11-1	96412-33G50-000	DRIVER (+,-)	1	
11-2	96412-33G70-000	DRIVER (+,-)	1	
12-1	96414-33G70-000	SPANNER, BOX (16)	1	
12-2	96414-33G80-000	SPANNER, BOX (16)	1	
13-1	96511-02L00-000	BAG, TOOL	1	
13-2	96511-02L10-000	BAG, TOOL	1	
14-1	96513-23J40-000	SPANNER, OPEN (10X14)	1	
14-2	96513-23J50-000	SPANNER, OPEN (10X14)	1	

FIG.460A

FIG.460A (1-E-6) FRONT FENDER (UN125M4 P08)

REF NO.	PART NO.	DESCRIPTION	Q'TY	REMARKS
1-1	53111-14L00-YPA	FENDER, FRONT (WHITE)	1	FOR A8D
1-2	53111-14L00-QVN	FENDER, FRONT (ORANGE)	1	FOR CC7
1-3	53111-14L00-PGZ	FENDER, FRONT (GRAY)	1	FOR CC8
1-4	53111-14L00-YKV	FENDER, FRONT (BLACK)	1	FOR KGL
2	09111-06255-000	BOLT (6X13.5)	3	

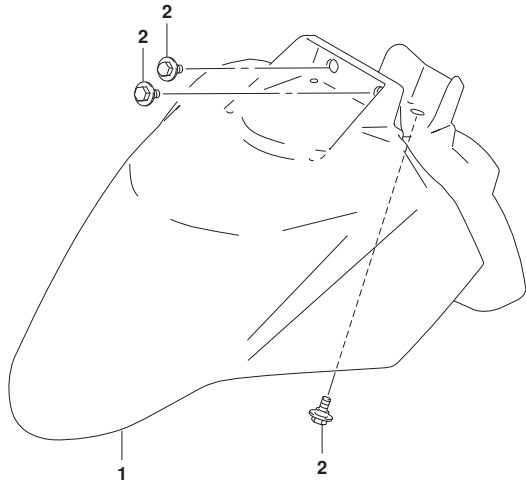


FIG.460B

FIG.460B (1-E-7) FRONT FENDER (UN125NEZM4 P08)

REF NO.	PART NO.	DESCRIPTION	Q'TY	REMARKS
1	53111-14L00-YVB	FENDER, FRONT (BLACK)	1	
2	09111-06255-000	BOLT (6X13.5)	3	

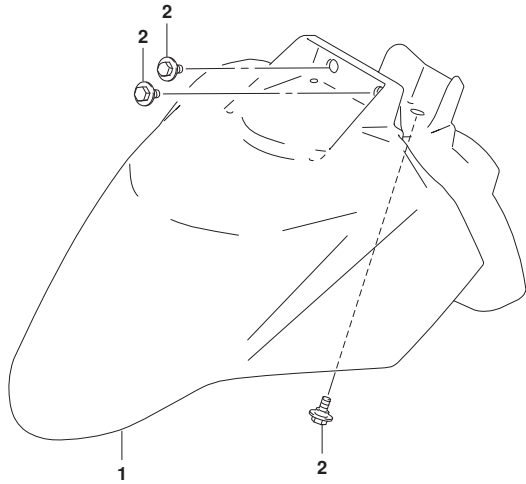


FIG.462A

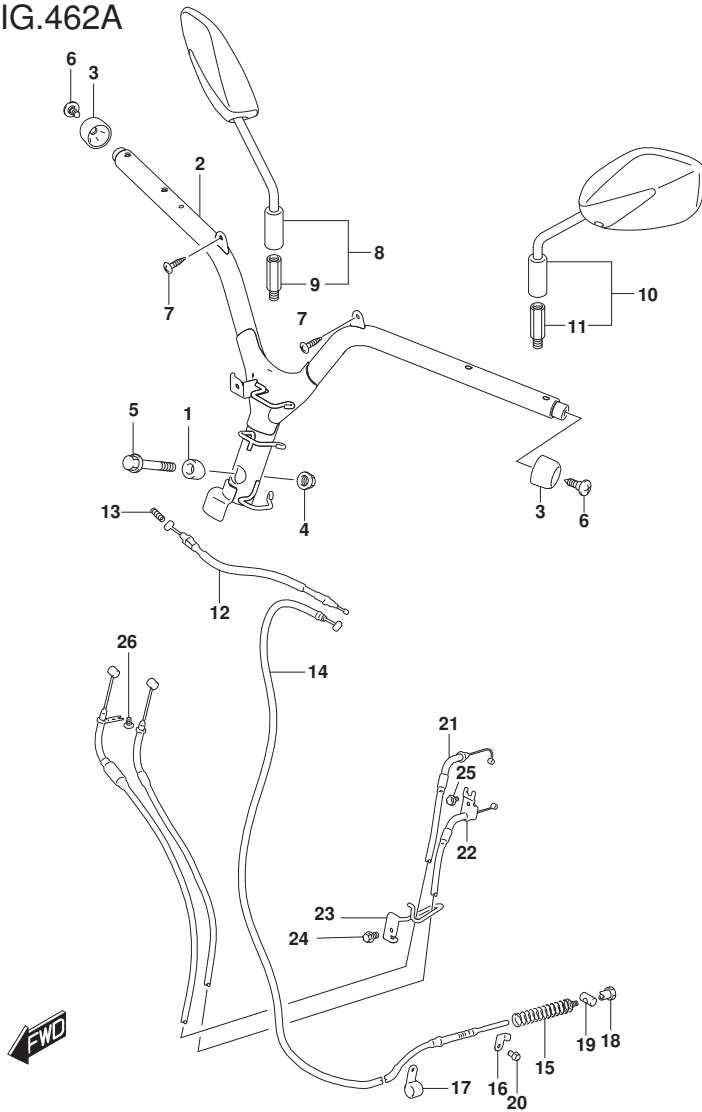


FIG.462A (1-E-8) HANDLEBAR

REF NO.	PART NO.	DESCRIPTION	Q'TY	REMARKS
1	51358-09G00-000	STOPPER, HANDLEBAR	1	
2	56110-14L00-000	HANDLEBAR	1	
3	57216-02L01-000	CAP, GRIP END	2	
4	64147-33G10-000	NUT, FR HUB	1	
5	09103-10126-000	BOLT (10X48)	1	
6	09139-06165-000	SCREW (6X16)	2	
7	03541-0516A-000	SCREW	2	
8	56500-34JA0-000	MIRROR ASSY, REAR VIEW RH	1	
9	56533-33G60-000	.ADAPTER, RR VIEW MIRROR	1	
10	56600-34JA0-000	MIRROR ASSY, REAR VIEW LH	1	
11	56533-33G60-000	.ADAPTER, RR VIEW MIRROR	1	
12	58110-14L01-000	CABLE, FRONT BRAKE	1	
13	58162-14L00-000	SPRING, FRONT BRAKE CABLE	1	
14	58510-44K21-000	CABLE, REAR BRAKE	1	
15	58562-08K00-000	SPRING, REAR BRAKE CABLE	1	
16	58575-39J00-000	PLATE, REAR BRAKE CABLE	1	
17-1	58577-39J10-000	CLAMP, RR BK CABLE CRKC FR	1	
17-2	58577-39J20-000	CLAMP, RR BK CABLE CRKC FR	1	
18	09150-06010-000	NUT	1	
19	09209-11002-000	PIN (11X18)	1	
20	01547-0610A-000	BOLT	1	
21	58300-44K30-000	CABLE ASSY, THROTTLE NO.1	1	
22	58300-44K40-000	CABLE ASSY, THROTTLE NO.2	1	
23	58620-02L20-000	GUIDE, CABLE	1	
24	01547-0610A-000	BOLT	1	
25	01550-0510A-000	BOLT	1	
26	02142-0510B-000	SCREW	1	

FIG.463A

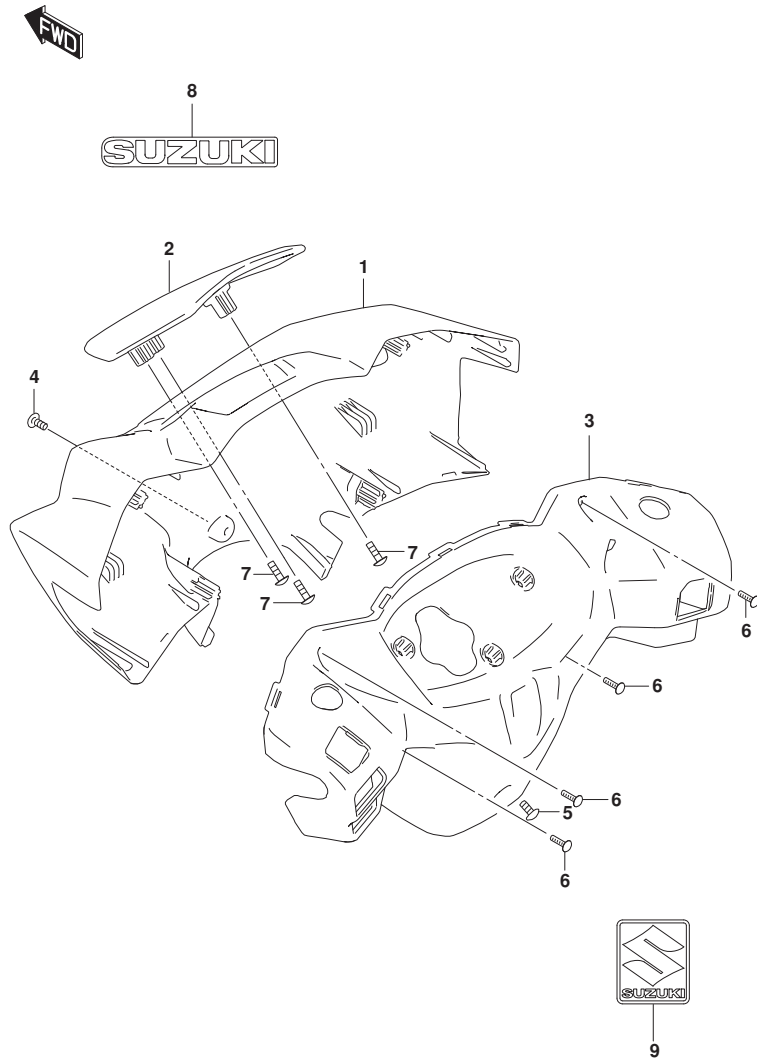


FIG.463A (1-E-9) HANDLE COVER (UN125NEM4 P08)

REF NO.	PART NO.	DESCRIPTION	QTY	REMARKS
1-1	56311-14L00-YPA	COVER, HANDLE FRONT (WHITE)	1	FOR A8D
1-2	56311-14L00-QVN	COVER, HANDLE FRONT (ORANGE)	1	FOR CC7
1-3	56311-14L00-PGZ	COVER, HANDLE FRONT (GRAY)	1	FOR CC8
1-4	56311-14L00-YKV	COVER, HANDLE FRONT (BLACK)	1	FOR KGL
2	56312-14L00-YVB	COVER, HANDLE UPPER (BLACK)	1	
3	56321-14L00-000	COVER, HANDLE REAR	1	
4	02142-0512A-000	SCREW	1	
5	02142-0512B-000	SCREW	1	
6	03541-0416B-000	SCREW	4	
7	03541-0516A-000	SCREW	3	
8	68171-34J10-YMD	EMBLEM, SUZUKI (SILVER)	1	
9	68281-44K00-000	EMBLEM, S	1	

FIG.463B

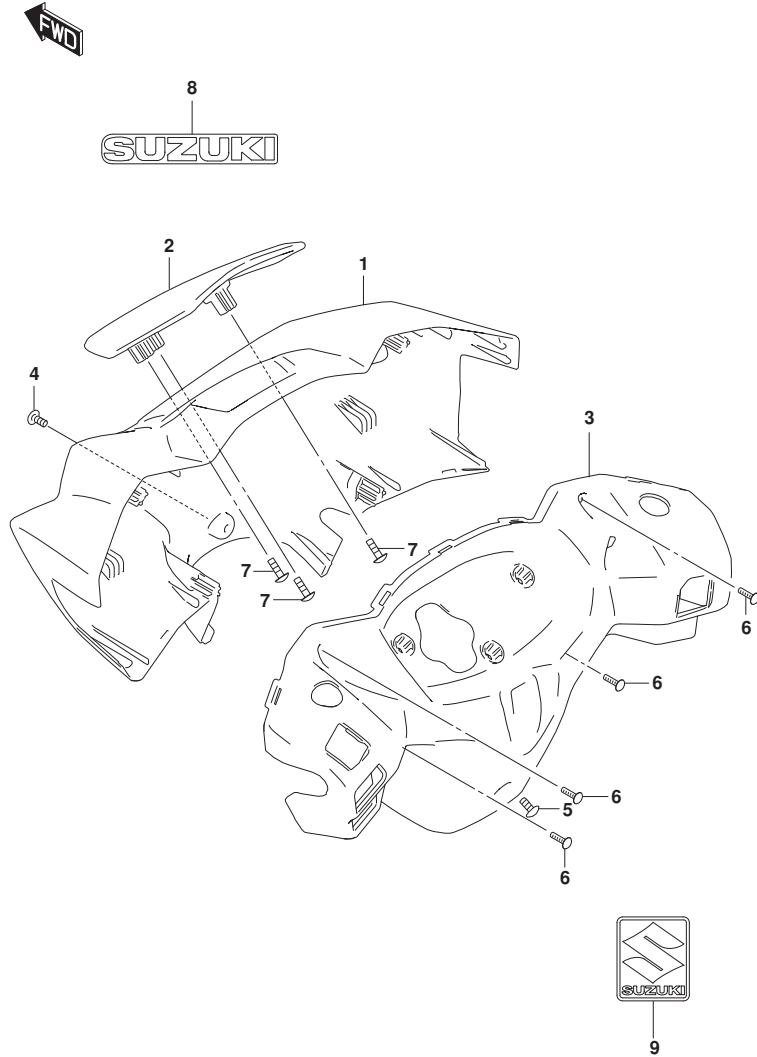


FIG.463B (1-E-10) HANDLE COVER (UN125NEZM4 P08)

REF NO.	PART NO.	DESCRIPTION	Q'TY	REMARKS
1	56311-14L00-YSF	COVER, HANDLE FRONT (BLUE)	1	
2	56312-14L00-YVB	COVER, HANDLE UPPER (BLACK)	1	
3	56321-14L00-000	COVER, HANDLE REAR	1	
4	02142-0512A-000	SCREW	1	
5	02142-0512B-000	SCREW	1	
6	03541-0416B-000	SCREW	4	
7	03541-0516A-000	SCREW	3	
8	68171-34J10-YMD	EMBLEM, SUZUKI (SILVER)	1	
9	68281-44K00-000	EMBLEM, S	1	

FIG.467A

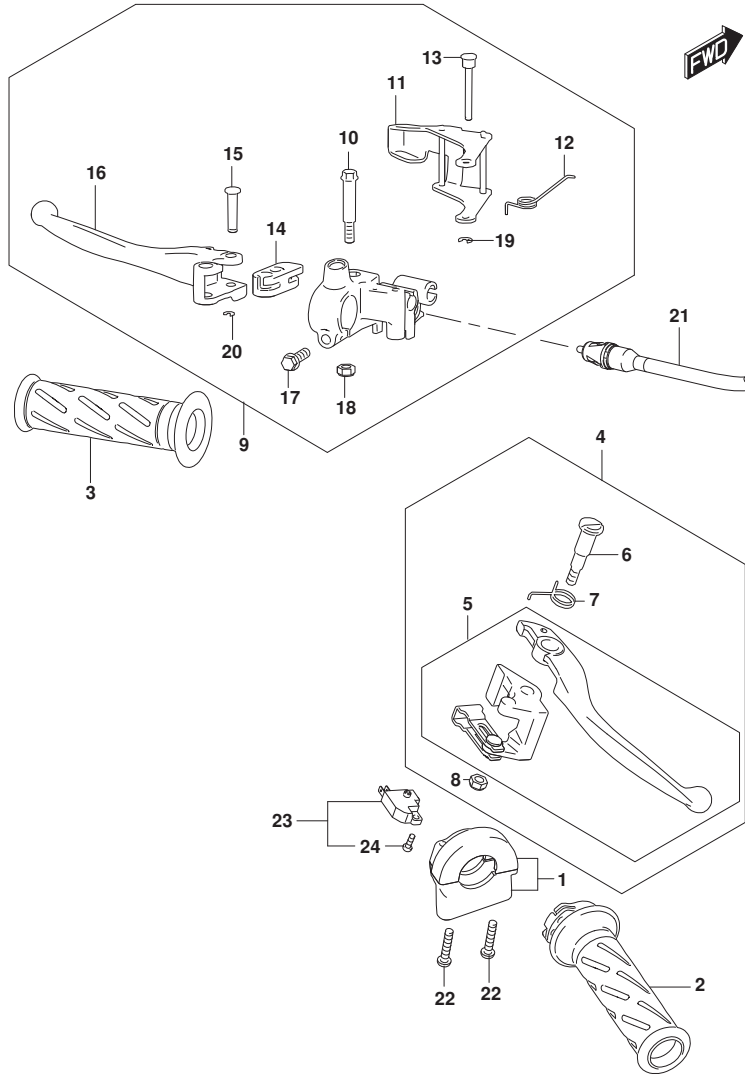


FIG.467A (1-E-11) HANDLE LEVER

REF NO.	PART NO.	DESCRIPTION	Q'TY	REMARKS
1	57100-02L00-000	CASE ASSY, THROTTLE	1	
2	57110-30H11-000	GRIP, THROTTLE	1	
3	57211-22D12-000	GRIP LH	1	
4	57300-14L00-000	LEVER ASSY, FR BRAKE	1	
5	57420-14L00-000	.LEVER, BRAKE	1	
6	57431-14L00-000	.BOLT, BRAKE LEVER PIVOT	1	
7	57523-14L10-000	.SPRING, RETURN	1	
8	08319-2106A-000	.NUT	1	
9	57500-14L00-000	LEVER ASSY, RR BRAKE	1	
10	57431-14L10-000	.BOLT, BRAKE LEVER PIVOT	1	
11	57520-14L00-000	.LEVER, BRAKE LEVER STOPPER	1	
12	57523-14L00-000	.SPRING, BRAKE LEVER STOPPER	1	
13	57524-08K00-000	.PIN, BRAKE LEVER STOPPER	1	
14	57525-14L00-000	.EQUALIZER, BRAKE CABLE	1	
15	57526-14L00-000	.PIN, EQUALIZER	1	
16	57621-14L00-000	.LEVER, BRAKE LH	1	
17	01547-0620A-000	.BOLT	1	
18	08319-2106A-000	.NUT	1	
19	08332-1103A-000	.E-RING	1	
20	08332-1104A-000	.E-RING	1	
21	37760-14L00-000	SWITCH ASSY, BRAKE	1	
22	02112-0525A-000	SCREW	2	
23	57460-14J10-000	SWITCH ASSY, FR BRAKE	1	
24	57465-17C00-000	.SCREW, WITH WASHER (4X12)	1	

FIG.474A

FIG.474A (1-E-12) REAR FENDER

REF NO.	PART NO.	DESCRIPTION	Q'TY	REMARKS
1	35157-34J00-000	NUT (M6)	4	
2	63111-14L00-000	FENDER, REAR UPPER	1	
3	63112-44K01-000	FENDER, REAR LOWER	1	
4	63115-08K00-000	BOLT, REAR FENDER LOWER	1	
5	63118-41K00-000	PLUG, REAR FENDER	1	
6	63210-44K00-000	BRACE, REAR FENDER LOWER	1	
7	63411-14L00-000	MUDGUARD, REAR FENDER	1	
8	09111-06102-000	BOLT (6X14.8)	3	
9	09148-05060-000	NUT (M5)	2	
10	01550-0612A-000	BOLT	4	

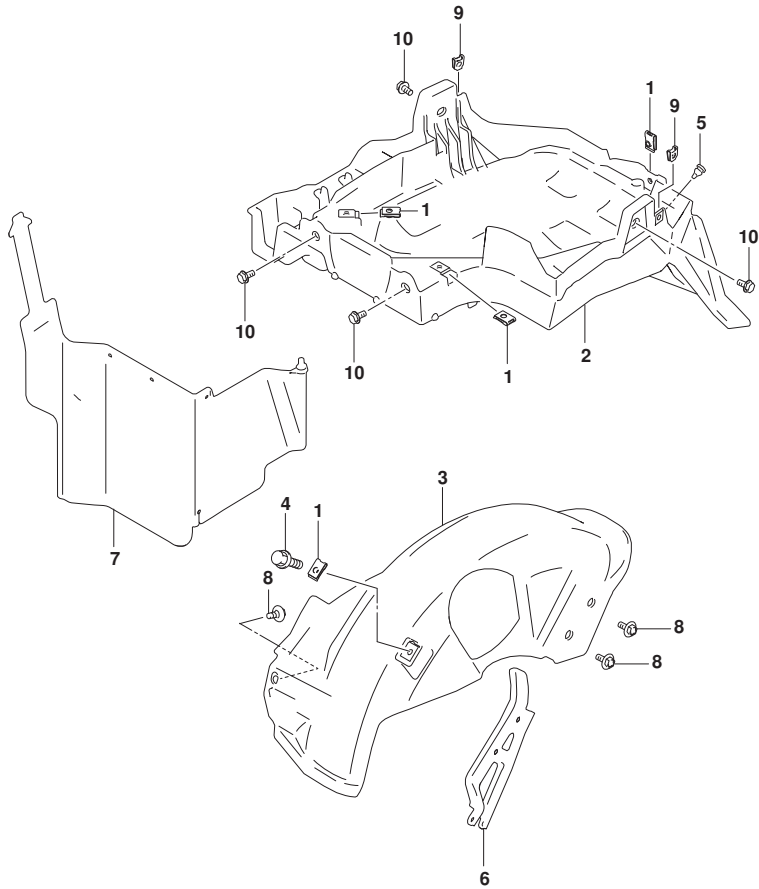


FIG.496A

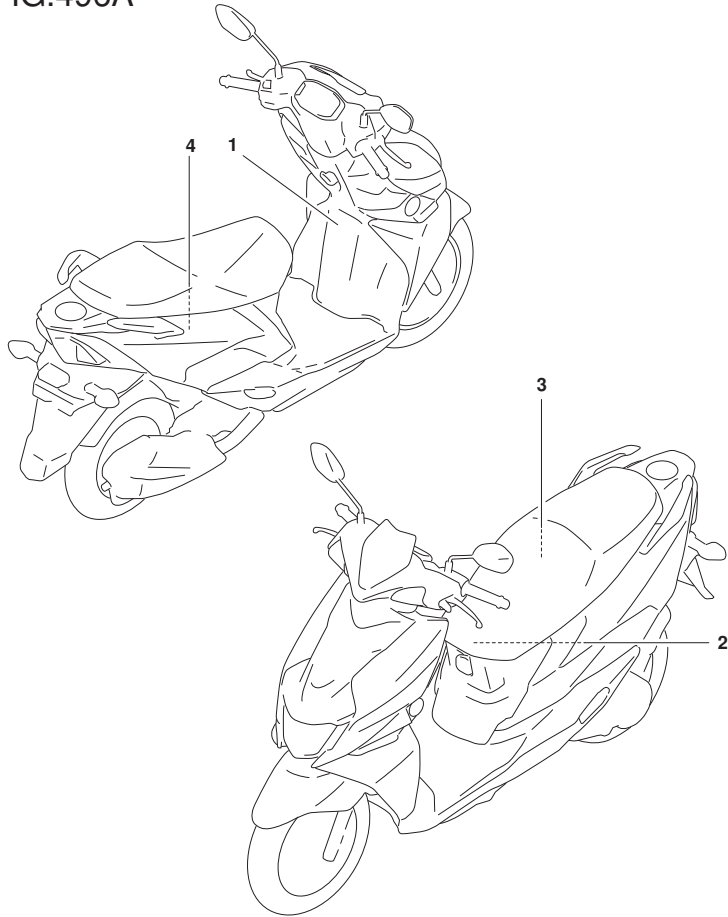


FIG.496A (1-E-13) LABEL

REF NO.	PART NO.	DESCRIPTION	Q'TY	REMARKS
1	68319-39J00-000	LABEL, GENERAL WARNING	1	
2	68911-44K00-000	LABEL, LOADING CAPACITY	1	
3	68332-44K20-000	LABEL, TIRE INFORMATION	1	
4	99011-14L40-08A	MANUAL, OWNER'S	1	

<p>1</p> <div style="border: 1px solid black; padding: 5px;"> <p>⚠ WARNING</p> <p>To reduce the risk of injury: • Wear a helmet, eye protection, and protective clothing. • Read owner's manual carefully.</p> </div>	<p>2</p> <div style="border: 1px solid black; padding: 5px;"> <p>⚠ WARNING</p> <p>Never exceed the maximum loading capacity. Exceeding maximum loading capacity can cause loss of control.</p> <p>Maximum loading capacity:</p> <ul style="list-style-type: none"> • Trunk : 10kg (22lb) • Hook : Each 2.0kg (4.4lb) • Front rack : 0.5kg (1.1lb) • Front box : 0.5kg (1.1lb) </div>	<p>3</p> <div style="border: 1px solid black; padding: 5px;"> <table style="width: 100%; border-collapse: collapse;"> <tr> <td style="text-align: center;"> </td> <td style="text-align: center;"> 80/90-12 54J 117S 20C 117S 19-20J 125J 129J </td> <td style="text-align: center;"> MRF NYLORIP ZAPFER FG </td> </tr> <tr> <td style="text-align: center;"> </td> <td style="text-align: center;"> 90/100-10 53J 117S 20C 125J 129J </td> <td style="text-align: center;"> MRF NYLORIP ZAPFER </td> </tr> </table> </div>		80/90-12 54J 117S 20C 117S 19-20J 125J 129J	MRF NYLORIP ZAPFER FG		90/100-10 53J 117S 20C 125J 129J	MRF NYLORIP ZAPFER	<p>4</p> <div style="border: 1px solid black; padding: 5px;"> <p>OWNER'S MANUAL</p> <p>.....</p> <p>.....</p> <p>.....</p> <p>.....</p> </div>
	80/90-12 54J 117S 20C 117S 19-20J 125J 129J	MRF NYLORIP ZAPFER FG							
	90/100-10 53J 117S 20C 125J 129J	MRF NYLORIP ZAPFER							

FIG.505A

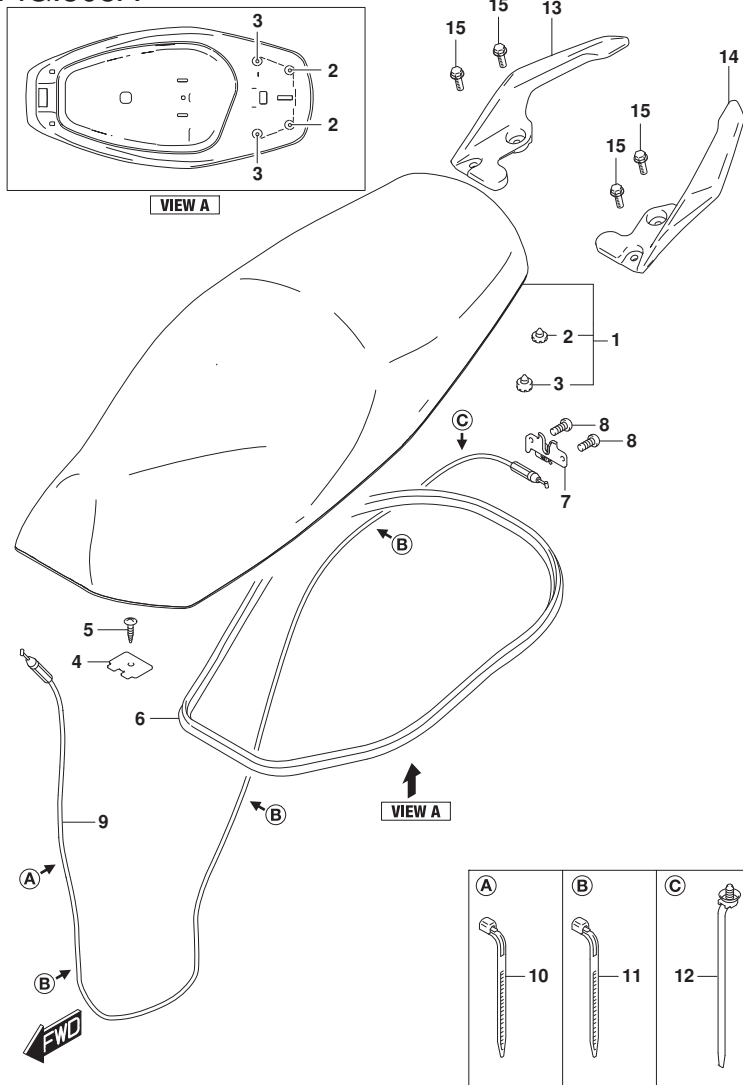


FIG.505A (1-E-14) SEAT (UN125NEM4 P08)

REF NO.	PART NO.	DESCRIPTION	Q'TY	REMARKS
1	45100-14L00-CC9	SEAT ASSY	1	
2	45148-20GB0-000	.CUSHION, SEAT MOUNT	2	
3	45148-20GJ0-000	.CUSHION, SEAT MOUNT	2	
4	45271-32G10-000	PLATE, SEAT HINGE	1	
5	03541-0516A-000	SCREW	1	
6	45211-44K00-000	MOLDING, SEAT	1	
7	45700-33G40-000	BRACKET, STRIKER SUPPORT	1	
8	02112-0612A-000	SCREW	2	
9	45280-14L10-000	CABLE, SEAT LOCK	1	
10	09407-14L01-000	CLAMP (L:125)	1	
11	09407-19L01-000	CLAMP (L:190)	3	
12	09407-15409-000	CLAMP	1	
13-1	46211-14L00-YPA	HANDLE, PILLION RIDER RH (WHITE)	1	FOR A8D
13-2	46211-14L00-QVN	HANDLE, PILLION RIDER RH (ORANGE)	1	FOR CC7
13-3	46211-14L00-PGZ	HANDLE, PILLION RIDER RH (GRAY)	1	FOR CC8
13-4	46211-14L00-YKV	HANDLE, PILLION RIDER RH (BLACK)	1	FOR KGL
14-1	46231-14L00-YPA	HANDLE, PILLION RIDER LH (WHITE)	1	FOR A8D
14-2	46231-14L00-QVN	HANDLE, PILLION RIDER LH (ORANGE)	1	FOR CC7
14-3	46231-14L00-PGZ	HANDLE, PILLION RIDER LH (GRAY)	1	FOR CC8
14-4	46231-14L00-YKV	HANDLE, PILLION RIDER LH (BLACK)	1	FOR KGL
15	01550-0825A-000	BOLT	4	

FIG.505B

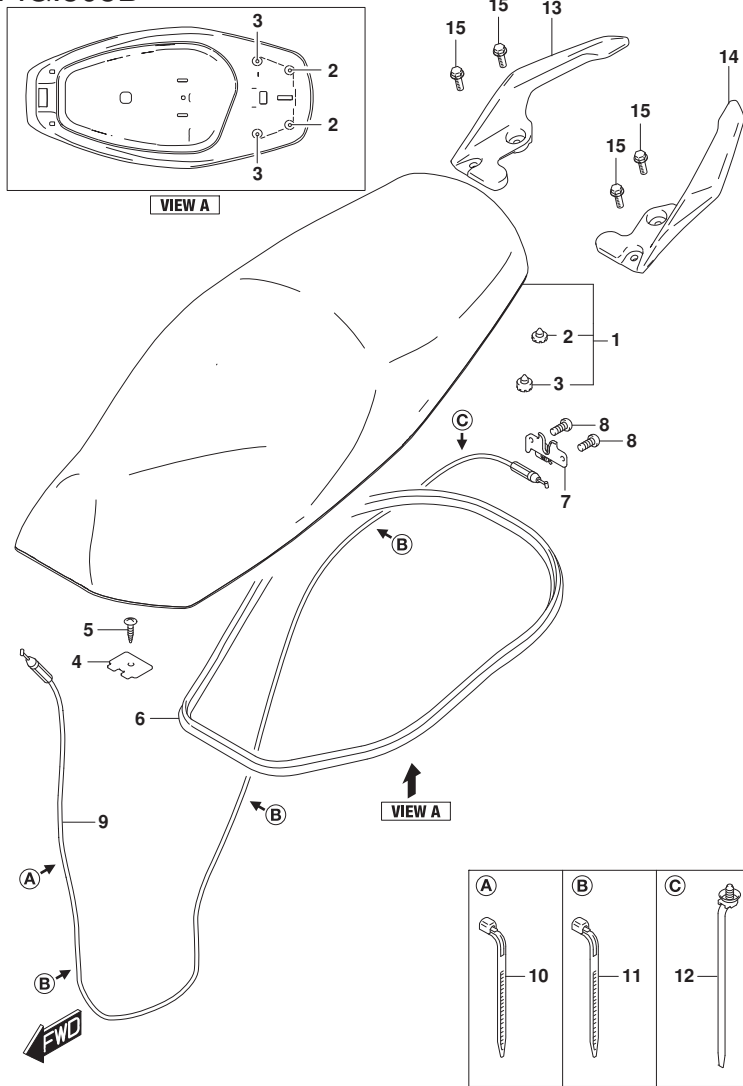


FIG.505B (1-F-2) SEAT (UN125NEZM4 P08)

REF NO.	PART NO.	DESCRIPTION	Q'TY	REMARKS
1	45100-14L00-CC9	SEAT ASSY	1	
2	45148-20GB0-000	.CUSHION, SEAT MOUNT	2	
3	45148-20GJ0-000	.CUSHION, SEAT MOUNT	2	
4	45271-32G10-000	PLATE, SEAT HINGE	1	
5	03541-0516A-000	SCREW	1	
6	45211-44K00-000	MOLDING, SEAT	1	
7	45700-33G40-000	BRACKET, STRIKER SUPPORT	1	
8	02112-0612A-000	SCREW	2	
9	45280-14L10-000	CABLE, SEAT LOCK	1	
10	09407-14L01-000	CLAMP (L:125)	1	
11	09407-19L01-000	CLAMP (L:190)	3	
12	09407-15409-000	CLAMP	1	
13	46211-14L00-YSF	HANDLE, PILLION RIDER RH (BLUE)	1	
14	46231-14L00-YSF	HANDLE, PILLION RIDER LH (BLUE)	1	
15	01550-0825A-000	BOLT	4	

FIG.521A

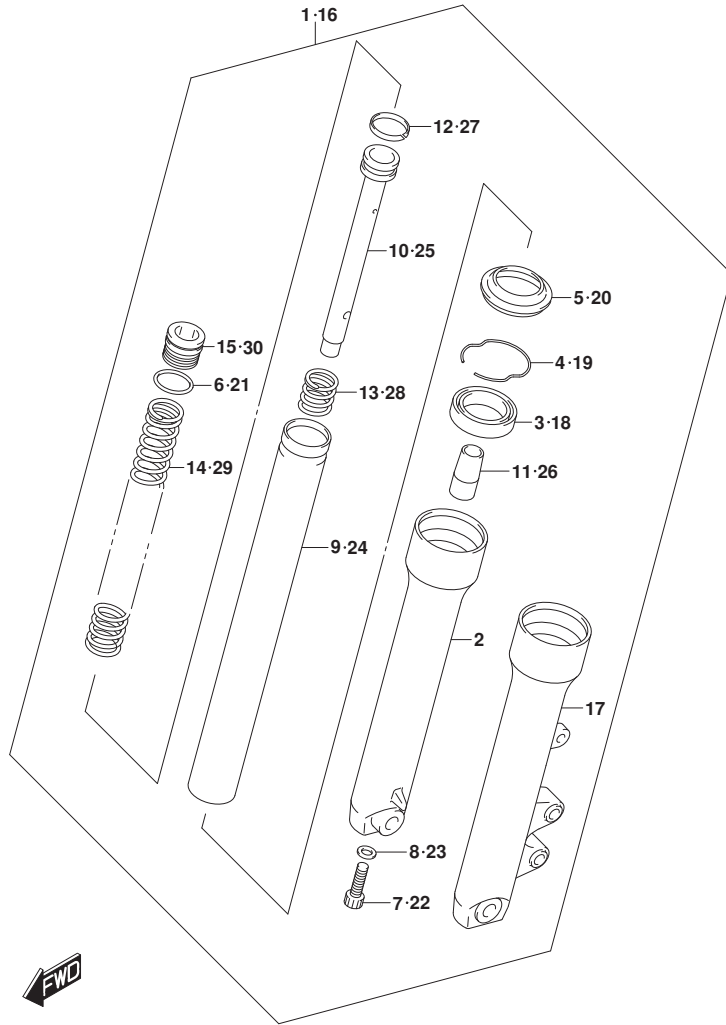


FIG.521A (1-F-3) FRONT FORK DAMPER

REF NO.	PART NO.	DESCRIPTION	Q'TY	REMARKS
1	51103-44K00-291	DAMPER ASSY, FR FORK RH (BLACK)	1	
2	51131-44K00-291	.TUBE, OUTER RH (BLACK)	1	
3	51153-08K10-000	.OIL SEAL	1	
4	51156-33G10-000	.RING, SNAP	1	
5	51173-33G10-000	.SEAL, DUST	1	
6	51117-33G10-000	.O RING	1	
7	51147-33G10-000	.BOLT	1	
8	51148-33G10-000	.GASKET	1	
9	51110-08K10-000	.TUBE, INNER	1	
10	51146-44K00-000	.CYLINDER, FRONT FORK	1	
11	51195-33G50-000	.OIL LOCK PIECE	1	
12	51196-33G10-000	.RING, PISTON	1	
13	51177-33G10-000	.SPRING, REBOUND	1	
14	51171-44K00-000	.SPRING, FRONT FORK	1	
15	51351-33G10-000	.BOLT	1	
16	51104-44K00-291	DAMPER ASSY, FR FORK LH (BLACK)	1	
17	51141-44K00-291	.TUBE, OUTER LH (BLACK)	1	
18	51153-08K10-000	.OIL SEAL	1	
19	51156-33G10-000	.RING, SNAP	1	
20	51173-33G10-000	.SEAL, DUST	1	
21	51117-33G10-000	.O RING	1	
22	51147-33G10-000	.BOLT	1	
23	51148-33G10-000	.GASKET	1	
24	51110-08K10-000	.TUBE, INNER	1	
25	51146-44K00-000	.CYLINDER, FRONT FORK	1	
26	51195-33G50-000	.OIL LOCK PIECE	1	
27	51196-33G10-000	.RING, PISTON	1	
28	51177-33G10-000	.SPRING, REBOUND	1	
29	51171-44K00-000	.SPRING, FRONT FORK	1	
30	51351-33G10-000	.BOLT	1	

FIG.524A

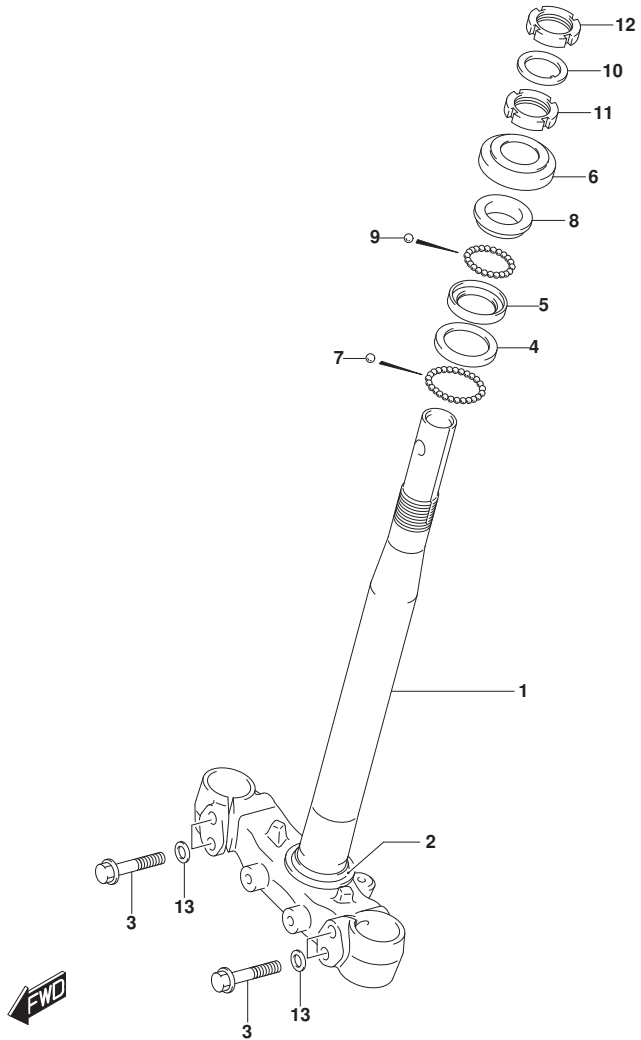


FIG.524A (1-F-4) STEERING STEM

REF NO.	PART NO.	DESCRIPTION	Q'TY	REMARKS
1	51410-08K10-000	BRACKET, FRONT FORK LOWER	1	
2	51622-41H00-000	RACE	1	
3	51434-08K10-000	BOLT, FR FORK INNER TUBE CLAMP	4	
4	51612-41H01-000	RACE, STEERING INNER LOWER	1	
5	51611-41H01-000	RACE, STEERING INNER UPPER	1	
6	51643-06001-000	DUST SEAL, STEERING UPR	1	
7	06111-06004-000	BALL	28	
8	51621-41H00-000	RACE, STEERING OUTER UPR	1	
9	06111-06004-000	BALL	23	
10	09166-24001-000	WASHER (24.5X34X2.3)	1	
11	51631-05000-000	NUT	1	
12	51631-05000-000	NUT	1	
13	51435-33G10-000	WASHER	4	

FIG.530A

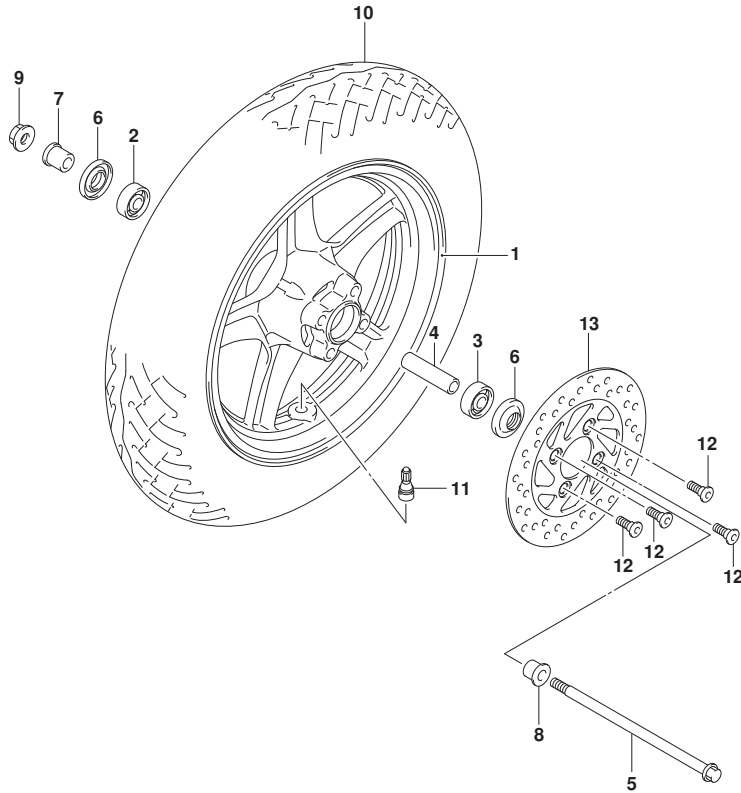


FIG.530A (1-F-5) FRONT WHEEL

REF NO.	PART NO.	DESCRIPTION	Q'TY	REMARKS
1-1	54111-08K51-019	WHEEL, FRONT (12X2.15) (BLACK)	1	JF
1-2	54111-08K70-019	WHEEL, FRONT (12X2.15) (BLACK)	1	JIELI
1-3	54111-08K80-019	WHEEL, FRONT (12X2.15) (BLACK)	1	UNOM
1-4	54111-08K90-019	WHEEL, FRONT (12X2.15) (BLACK)	1	ZCW
2	08133-6300B-000	BEARING	1	
3	08133-6300B-000	BEARING	1	
4	54731-02L00-000	SPACER, FR HUB BEARING	1	
5	54711-11F00-000	AXLE, FR	1	
6	54841-23J00-000	SEAL, FR HUB DUST (17X38X5)	2	
7	54741-02L00-000	SPACER, FR AXLE RH	1	
8	54751-02L00-000	SPACER, FR AXLE LH	1	
9	64147-33G10-000	NUT, FR HUB	1	
10	55110-08K02-000	TIRE (90/90-12 54J)	1	NYLOGRIP ZAPPER-FG TL,MRF
11	43130-24A70-000	VALVE ASSY, WHEEL RIM (TR412)	1	
12	59218-34J30-000	BOLT, FRONT BRAKE DISC	4	
13	59221-08K01-000	DISC, FRONT BRAKE LH	1	



FIG.535A

FIG.535A (1-F-6) FRONT CALIPER

REF NO.	PART NO.	DESCRIPTION	Q'TY	REMARKS
1	59300-08K50-000	CALIPER ASSY, FRONT	1	
2	59300-08860-000	.PISTON SET	1	
3	59100-38860-000	..SEAL SET, PISTON	1	
4	59121-01A00-000	.BLEEDER	1	
5	59122-01A00-000	.CAP, BLEEDER	1	
6	59145-37F00-000	.RING, STOPPER	1	
7	59300-08850-000	.PAD SET	1	
8	59303-14500-000	.BOOT	1	
9	59314-13A00-000	.WASHER	1	
10	59315-08K00-000	.SPRING, PAD	1	
11	59333-08K00-000	.RETAINER BRACKET	1	
12	59345-08K00-000	.PIN HANGER	1	
13	59351-08K00-000	.BRACKET FR	1	
14	59382-13A00-000	.BOLT	1	
15	59386-13A00-000	.BOOT	1	
16	59387-08K00-000	.BOLT	1	
17	59388-41HA0-000	.NUT	1	
18	01550-0825A-000	BOLT	2	

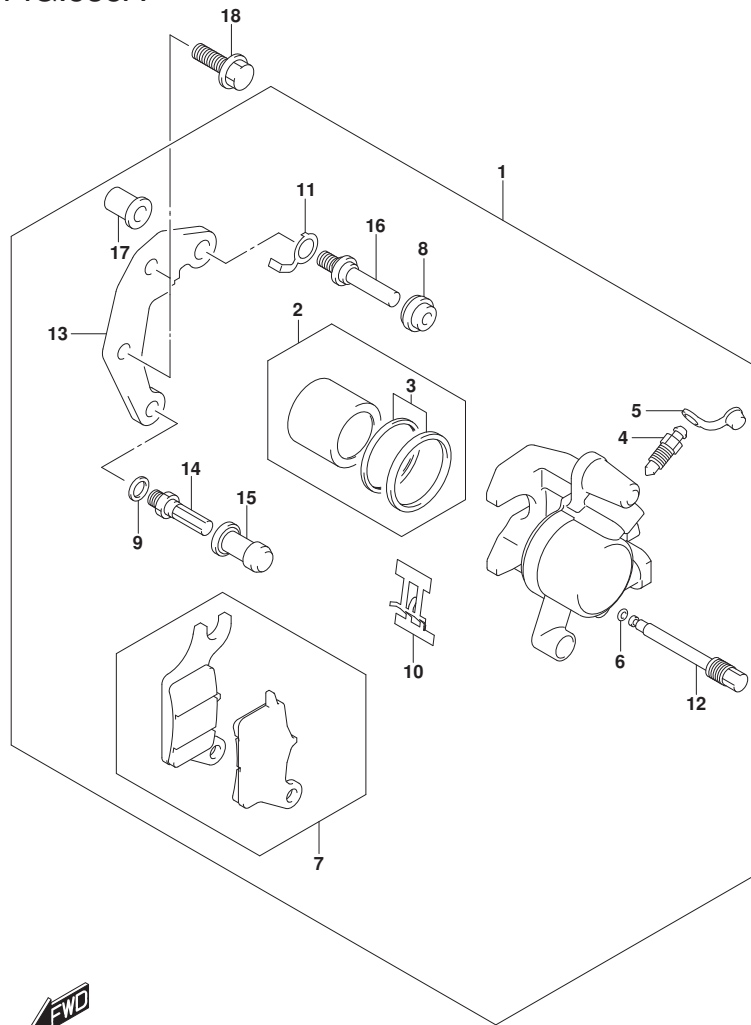


FIG.537A

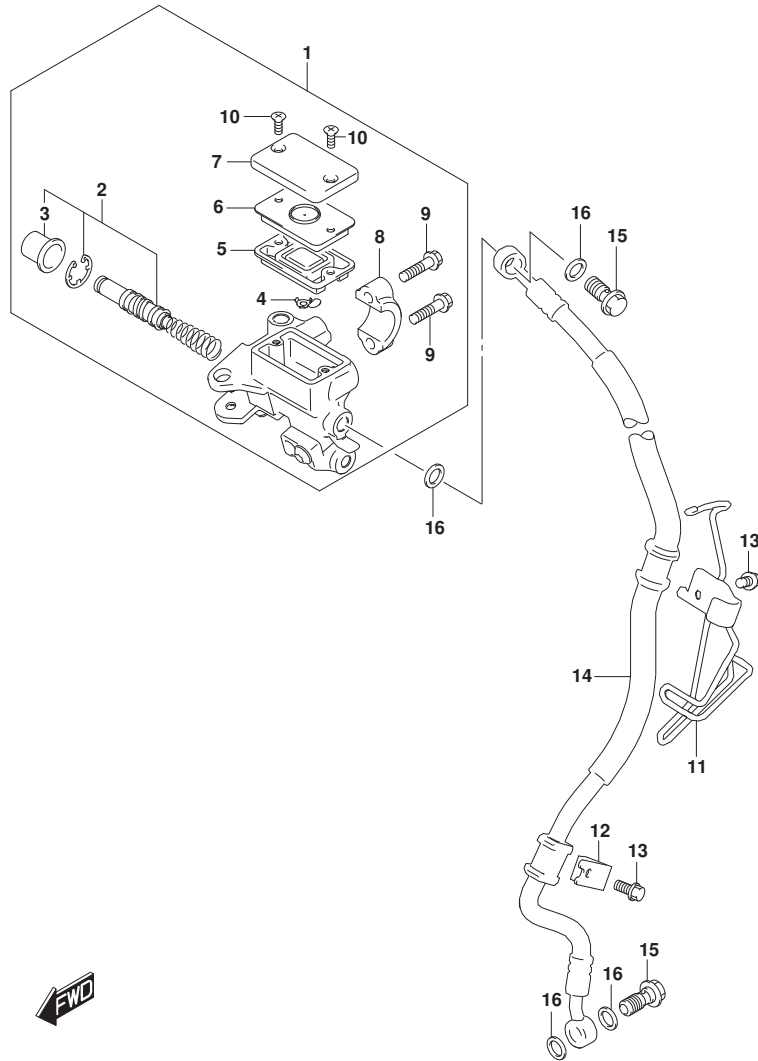


FIG.537A (1-F-7) FRONT MASTER CYLINDER

REF NO.	PART NO.	DESCRIPTION	Q'TY	REMARKS
1	59600-14L00-000	CYLINDER ASSY, FRONT MASTER	1	
2	59600-46810-000	.PISTON & CUP SET	1	
3	59666-44300-000	..BOOT	1	
4	59664-32F00-000	.PROTECTOR	1	
5	59667-04700-000	.DIAPHRAGM	1	
6	59668-14F00-000	.PLATE, DIAPHRAGM	1	
7	59669-21D20-000	.CAP	1	
8	59671-36500-000	.HOLDER	1	
9	59675-06F10-000	.BOLT (6X22)	2	
10	69689-49300-000	.SCREW	2	
11	59260-14L10-000	CLAMP, FR BRAKE HOSE	1	
12	59267-08K10-000	CLAMP, BRAKE HOSE	1	
13	01547-0612A-000	BOLT	2	
14	59480-14L00-000	HOSE, FRONT BRAKE	1	
15	59492-30H30-000	BOLT, BRAKE FLUID	2	
16	09168-10033-000	WASHER (10.2X15X1.4)	4	

FIG.545A

FIG.545A (1-F-8) REAR SHOCK ABSORBER

REF NO.	PART NO.	DESCRIPTION	Q'TY	REMARKS
1	62100-08K10-000	ABSORBER ASSY, REAR SHOCK	1	
2	01550-1040A-000	BOLT	1	
3	01550-0835A-000	BOLT	1	

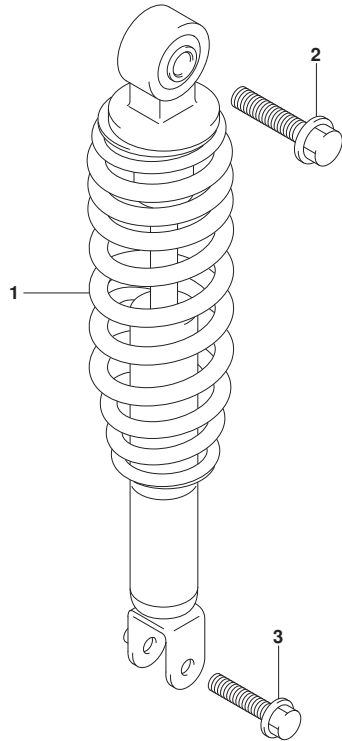


FIG.550A

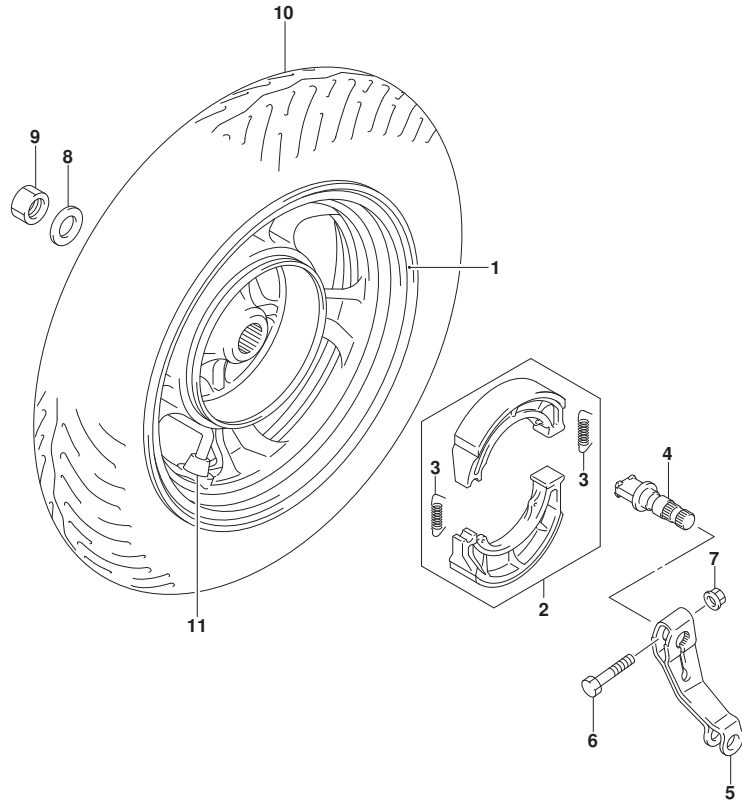


FIG.550A (1-F-9) REAR WHEEL

REF NO.	PART NO.	DESCRIPTION	Q'TY	REMARKS
1-1	64150-08K01-019	WHEEL, REAR (10X2.15) (BLACK)	1	JF
1-2	64150-08K10-019	WHEEL, REAR (10X2.15) (BLACK)	1	JIELI
1-3	64150-08K20-019	WHEEL, REAR (10X2.15) (BLACK)	1	UNOM
1-4	64150-08K30-019	WHEEL, REAR (10X2.15) (BLACK)	1	ZCW
2	64400-08K20-000	SHOE SET, REAR BRAKE	1	
3	65421-08K00-000	.SPRING, BRAKE SHOE	2	
4	64441-09J20-000	CAM, REAR BRAKE	1	
5	64451-09J80-000	LEVER, REAR BRAKE CAM	1	
6	09100-06139-000	BOLT (6X31)	1	
7	08316-1006A-000	NUT	1	
8	64723-39J00-000	WASHER, REAR AXLE	1	
9	08319-2116A-000	NUT	1	
10	55110-25J02-000	TIRE (90/100-10 53J)	1	NYLOGRIP ZAPPER TL,MRF
11	43130-41D90-000	VALVE ASSY, WHEEL RIM (PVR70)	1	



PART NO.	FIG.NO.-REF.NO.	PART NO.	FIG.NO.-REF.NO.	PART NO.	FIG.NO.-REF.NO.	
10000		12871-35J10-000	126A-12	16331-08K00-000	170A-1	
		12911-43J00-000	126A-14	16400-08K00-000	170A-2	
		12912-02L00-000	126A-15	16421-20E00-000	170A-3	
		12921-43J00-000	126A-16	16422-09J00-000	170A-6	
		12931-09G20-000	126A-17	16423-09J00-000	170A-7	
	11110-02L10-000	103A-1	12932-09G10-000	126A-18	16520-09J00-000	170A-9
	11141-35J00-000	103A-3	12933-09G00-000	126A-19	16523-09J00-000	170A-10
	11170-02L10-000	102A-1	12951-08K00-000	126A-7	16525-09J00-000	170A-12-1
	11173-02L00-000	102A-2	13111-02L00-000	140A-13	16525-09J10-000	170A-12-2
	11176-02L00-000	102A-3	13128-08K01-000	140A-15	16526-09J00-000	170A-11
	11177-08K00-000	102A-4	13295-02L00-000	140A-7	17110-09J50-000	181A-1
	11191-27E00-000	102A-6-1	13400-02L10-000	140A-1	17120-02L00-000	181A-3
11191-27E70-000	102A-6-2	13417-02L00-000	140A-4	17122-02L00-000	181A-4	
11210-02L20-0F0	107A-1	13421-02L00-000	140A-5	17123-08K00-000	181A-5	
11241-08K00-000	107A-2	13438-09JA0-000	140A-3	17124-02L00-000	181A-11	
11301-08841-000	108A-1	13602-02L00-000	140A-6	17130-02L00-000	181A-8	
11315-39J01-000	108A-2	13640-02L00-000	107A-7	18117-10K00-000	140A-2	
11316-39J00-000	108A-3-1	13700-02810-000	155A-6	18213-12K10-000	163A-19	
11316-39J10-000	108A-3-2	13700-02L30-000	155A-1	18560-02L00-000	427A-1	
11325-09J00-000	108A-7	13740-02L20-000	155A-3	18561-14L01-000	427A-2	
	112A-2	13746-08K00-000	155A-4	18563-14L00-000	427A-3	
	112A-1		155A-7	18567-02L00-000	427A-4	
11340-08K40-000	112A-7	13755-54G00-000	155A-2	18571-02L00-000	427A-5	
11346-08K00-000	112A-9	13825-08K00-000	155A-9	18572-02L00-000	427A-6	
11383-39J10-000	112A-9	13850-02L10-000	155A-13	18573-02L00-000	427A-7	
11430-39840-000	108A-14	13856-02L10-000	155A-11			
11482-08K00-000	112A-3	13871-41H00-000	155A-10			
11484-39J30-000	108A-15	13891-08K00-000	155A-5			
11611-39J00-000	108A-8	14180-44K10-000	163A-15			
11971-09J10-000	108A-19	14181-30A30-000	163A-1			
12100-08K50-050	120A-8	14310-14L40-000	163A-2	21111-08K00-000	210A-1	
12111-08K00-0F0	120A-4-2	14760-44K01-000	163A-16	21113-39J10-000	210A-2	
12111-08K10-0F0	120A-4-1	14780-44K10-000	163A-3	21120-33G70-000	210A-3	
12140-08K50-000	120A-5	14782-44K00-000	163A-4	21125-33G00-000	210A-4	
12151-43J00-000	120A-6	14791-44K30-000	163A-17	21210-08K10-000	210A-5	
12200-08K51-000	120A-1	14795-10FA0-000	163A-18	21214-08K00-000	210A-16	
12227-08K00-000	120A-3	15100-02L03-000	172A-1	21215-08K10-000	210A-15	
12710-02L00-000	126A-1	15121-02L10-000	172A-4	21216-08K00-000	210A-18	
12714-34J10-000	126A-3	15201-02L00-000	172A-5	21220-08K10-000	210A-22	
12740-08K00-000	126A-2	15420-02L00-000	172A-2	21240-08K10-000	210A-6	
12742-27L00-000	126A-4	15424-09JB0-000	172A-3	21243-08K00-000	210A-7	
12760-08K10-000	127A-1	15710-02L00-000	140A-8	21245-09J00-000	210A-8	
12771-27L00-000	127A-2	15716-42J00-000	140A-9	21246-08K00-000	210A-9	
12811-08K10-000	127A-3	15722-02L00-000	140A-10	21247-08K00-000	210A-17	
12830-42K00-000	127A-6	15810-02L01-000	172A-6	21248-08K00-000	210A-10	
12836-42K00-000	127A-7	15830-02L00-000	140A-11	21431-33G00-000	210A-19	
12837-39J20-000	127A-8	15840-43J10-000	126A-8	21471-08K00-000	210A-12	
12840-43J10-000	126A-8	15892-02L00-000	172A-8	21472-08K00-000	210A-11	
12842-34J00-000	126A-9	15893-02L00-000	172A-9	21481-08K00-000	210A-20	
12843-27A70-000	126A-10	15894-02L00-000	172A-10	21501-08K10-000	210A-13	
12861-35J00-000	126A-11					

PART NO.	FIG.NO.-REF.NO.	PART NO.	FIG.NO.-REF.NO.	PART NO.	FIG.NO.-REF.NO.
21518-09J00-000	210A-14	33510-08K00-000	312A-9	37520-33G11-000	350A-17
21650-08K10-000	210A-21	33541-08K00-000	312A-10	37760-14L00-000	467A-21
24131-33G80-000	211A-1-1	33542-08K01-000	312A-11	37840-02L11-000	350A-18
24131-33G90-000	211A-1-2	33620-08K10-000	310A-1	38500-48G31-000	350A-22
24141-08K10-000	211A-9-1	33652-34J00-000	401A-9	38610-23J10-000	334A-19-1
24141-08K20-000	211A-9-2	34100-14L11-000	330A-1	38610-23J30-000	334A-19-2
24142-08K10-000	211A-12	34810-14L00-000	172A-15	38610-27K01-000	334A-19-3
24150-39J21-000	211A-2-1	34990-44K01-000	330A-4	39105-44K01-000	350A-13
24150-39J40-000	211A-2-2	35100-14L20-000	333A-1		
24371-39J10-000	211A-10-1	35151-44J00-000	333A-2		
24371-39J20-000	211A-10-2	35157-34J00-000	474A-1		
24741-20A10-000	103A-11	35222-34J80-000	334A-7		
24751-09J00-000	211A-17		334A-13		
26200-39J00-000	240A-6	35601-14L00-000	334A-1		
26210-08K00-000	240A-1	35602-14L00-000	334A-3		
26212-46G00-000	240A-2	35603-20LA0-000	334A-6	41100-14L01-000	401A-1
26213-39J00-000	240A-3-1	35604-20LA0-000	334A-12	41170-09J10-000	401A-4
26213-39J20-000	240A-3-2	35616-34J00-000	334A-8	41180-02L00-000	401A-2
26231-08K00-000	210A-26-1		334A-14	41184-39J00-000	401A-3
26231-08K10-000	210A-26-2	35623-34J00-000	334A-9	41185-08K00-000	401A-8
26300-08K00-000	240A-7		334A-15	41185-09J10-000	401A-7
26314-33G30-000	240A-8	35623-34J30-000	334A-10	41189-39J00-000	401A-5
27601-08K10-000	210A-25	35623-34J40-000	334A-11	41521-14L00-000	405A-3
			334A-17	41540-14L00-000	405A-1
		35629-34J30-000	334A-18	42100-02L00-000	407A-1
		35690-41K00-000	435A-7	42211-39J00-000	407A-2
			435B-7	42251-32G00-000	407A-5
		35701-14L00-000	339A-1	42275-25J00-000	407A-3
		35702-14L00-000	339A-2	42278-44K00-000	407A-7
		35910-16GDO-000	339A-4	42310-02L10-000	407A-8
31100-08K21-000	301A-1	35912-30H01-000	339A-5	42341-27K00-000	407A-11
31130-08K20-000	301A-2	35913-30H00-000	339A-6	42421-02L00-000	407A-9
31131-08K20-000	301A-3	35915-30H00-000	339A-7	43130-24A70-000	530A-11
31132-08K20-000	301A-4	35916-30H00-000	339A-8	43130-41D90-000	550A-11
31135-08K20-000	301A-5	35917-30H00-000	339A-9	43611-44K10-000	415A-1
31142-08K20-000	301A-6	35926-30H00-000	339A-10	43621-44K10-000	415A-2
31156-32G00-000	301A-7	35950-20L00-000	333A-4	44100-14L10-000	420A-1
31157-08K20-000	301A-8	35970-28G00-000	339A-16	44160-14L00-000	429A-2
31173-08K20-000	301A-9	36610-14L00-000	350A-1	44190-14L10-000	429A-3
31370-32G01-000	301A-13	36851-14L01-000	420A-3	44210-14L00-000	429A-12
31497-39J00-000	303A-1	36852-44K01-000	350A-12	44218-14L00-000	429A-13
31800-23J20-000	312A-1	36990-70F20-000	350A-4	44230-14L01-000	429A-16
32101-02L00-000	303A-2	37100-08850-000	352A-1	44231-14L00-000	429A-17
32102-02L00-000	303A-3	37100-08K10-000	352A-2	44240-13H00-000	427A-19
32800-02L02-000	312A-2	37152-30H00-000	352A-3	44281-02L00-000	420A-2
32830-14L00-000	312A-3	37155-08820-000	352A-5		
32832-14L00-000	312A-4	37330-02L11-000	350A-14	44281-14L00-000	429A-14
32832-14L10-000	312A-5	37420-02L11-000	350A-15	44422-14L00-000	429A-5
32920-02L32-000	312A-7	37510-33G11-000	350A-16	44423-14L00-000	429A-20
33410-02L11-000	312A-8			44424-14L00-000	429A-6

40000

20000

30000

PART NO.	FIG.NO.-REF.NO.	PART NO.	FIG.NO.-REF.NO.	PART NO.	FIG.NO.-REF.NO.	
44434-14L00-000	427A-20	47231-14L00-PGZ	445A-5-1	50000		
44435-14L00-000	427A-22	47231-14L00-YRD	445A-5-3			
44541-44J00-000	420A-4	47231-14L00-YVB	445A-5-2			
44542-44J00-000	420A-5		445B-5			
44544-27K00-000	420A-6	47311-14L00-000	445A-6			
44894-39J10-000	427A-18		445B-6		51103-44K00-291	521A-1
45100-14L00-CC9	505A-1	48111-14L10-PGZ	435A-1-1		51104-44K00-291	521A-16
45148-20GB0-000	505B-1	48111-14L10-YRD	435A-1-3		51110-08K10-000	521A-9
	505A-2	48111-14L10-YVB	435A-1-2			521A-24
	505B-2		435B-1		51117-33G10-000	521A-6
45148-20GJ0-000	505A-3	48112-14L00-PGZ	435A-2-3		521A-21	
	505B-3	48112-14L00-QVN	435A-2-2	51131-44K00-291	521A-2	
45211-44K00-000	505A-6	48112-14L00-YKV	435A-2-4	51141-44K00-291	521A-17	
	505B-6	48112-14L00-YPA	435A-2-1	51146-44K00-000	521A-10	
45271-32G10-000	505A-4	48112-14L00-YSF	435B-2		521A-25	
	505B-4	48113-14L00-PGZ	435A-3-3	51147-33G10-000	521A-7	
45280-14L10-000	505A-9	48113-14L00-QVN	435A-3-2		521A-22	
	505B-9	48113-14L00-YKV	435A-3-4	51148-33G10-000	521A-8	
45288-20G20-000	429A-18	48113-14L00-YPA	435A-3-1		521A-23	
45700-33G40-000	505A-7	48113-14L00-YSF	435B-3	51153-08K10-000	521A-3	
	505B-7	48114-14L00-000	435A-4		521A-18	
	505A-13-3		435B-4	51156-33G10-000	521A-4	
46211-14L00-QVN	505A-13-2	48115-27L10-000	440A-2		521A-19	
46211-14L00-YKV	505A-13-4	48121-14L00-000	440A-1	51171-44K00-000	521A-14	
46211-14L00-YPA	505A-13-1	48131-44K40-000	438A-1		521A-29	
46211-14L00-YSF	505B-13		438B-1	51173-33G10-000	521A-5	
46231-14L00-PGZ	505A-14-3	48132-14L00-PGZ	435A-9-3		521A-20	
46231-14L00-QVN	505A-14-2	48132-14L00-QVN	435A-9-2	51177-33G10-000	521A-13	
46231-14L00-YKV	505A-14-4	48132-14L00-YD8	435B-9		521A-28	
46231-14L00-YPA	505A-14-1	48132-14L00-YKV	435A-9-4	51195-33G50-000	521A-11	
46231-14L00-YSF	505B-14	48132-14L00-YPA	435A-9-1		521A-26	
47111-14L00-PGZ	445A-1-3	48133-14L00-PGZ	435A-10-3	51196-33G10-000	521A-12	
47111-14L00-QVN	445A-1-2	48133-14L00-QVN	435A-10-2		521A-27	
47111-14L00-YKV	445A-1-4	48133-14L00-YD8	435B-10	51351-33G10-000	521A-15	
47111-14L00-YPA	445A-1-1	48133-14L00-YKV	435A-10-4		521A-30	
47111-14L00-YSF	445B-1	48133-14L00-YPA	435A-10-1	51358-09G00-000	462A-1	
47121-14L00-000	445A-2	48134-14L00-PGZ	438A-2-3	51410-08K10-000	524A-1	
	445B-2	48134-14L00-QVN	438A-2-2	51434-08K10-000	524A-3	
47131-14L00-PGZ	445A-3-1	48134-14L00-YD8	438B-2	51435-33G10-000	524A-13	
47131-14L00-YRD	445A-3-3	48134-14L00-YKV	438A-2-4	51611-41H01-000	524A-5	
47131-14L00-YVB	445A-3-2	48134-14L00-YPA	438A-2-1	51612-41H01-000	524A-4	
	445B-3	48135-14L00-PGZ	438A-3-3	51621-41H00-000	524A-8	
47162-30H00-000	429A-7	48135-14L00-QVN	438A-3-2	51622-41H00-000	524A-2	
	435A-8	48135-14L00-YD8	438B-3	51631-05000-000	524A-11	
	435B-8	48135-14L00-YKV	438A-3-4		524A-12	
	445A-4-3	48135-14L00-YPA	438A-3-1	51643-06001-000	524A-6	
47211-14L00-QVN	445A-4-2			51831-30H10-000	333A-3	
47211-14L00-YKV	445A-4-4			53111-14L00-PGZ	460A-1-3	
47211-14L00-YPA	445A-4-1			53111-14L00-QVN	460A-1-2	
47211-14L00-YSF	445B-4			53111-14L00-YKV	460A-1-4	

PART NO.	FIG.NO.-REF.NO.	PART NO.	FIG.NO.-REF.NO.	PART NO.	FIG.NO.-REF.NO.
53111-14L00-YPA	460A-1-1	58562-08K00-000	462A-15		435B-11
53111-14L00-YVB	460B-1	58575-39J00-000	462A-16	63118-41K00-000	474A-5
54111-08K51-019	530A-1-1	58577-39J10-000	462A-17-1	63210-44K00-000	474A-6
54111-08K70-019	530A-1-2	58577-39J20-000	462A-17-2	63411-14L00-000	474A-7
54111-08K80-019	530A-1-3	58620-02L20-000	462A-23	64147-33G10-000	462A-4
54111-08K90-019	530A-1-4	59100-38860-000	535A-3		530A-9
54711-11F00-000	530A-5	59121-01A00-000	535A-4	64150-08K01-019	550A-1-1
54731-02L00-000	530A-4	59122-01A00-000	535A-5	64150-08K10-019	550A-1-2
54741-02L00-000	530A-7	59145-37F00-000	535A-6	64150-08K20-019	550A-1-3
54751-02L00-000	530A-8	59218-34J30-000	530A-12	64150-08K30-019	550A-1-4
54841-23J00-000	530A-6	59221-08K01-000	530A-13	64400-08K20-000	550A-2
55110-08K02-000	530A-10	59260-14L10-000	537A-11	64441-09J20-000	550A-4
55110-25J02-000	550A-10	59267-08K10-000	537A-12	64451-09J80-000	550A-5
55110-14L00-000	462A-2	59300-08850-000	535A-7	64723-39J00-000	550A-8
56311-14L00-PGZ	463A-1-3	59300-08860-000	535A-2	65421-08K00-000	550A-3
56311-14L00-QVN	463A-1-2	59300-08K50-000	535A-1	68131-14L00-YVB	445A-13
56311-14L00-YKV	463A-1-4	59303-14500-000	535A-8	68131-14L00-YVZ	445B-13
56311-14L00-YPA	463A-1-1	59314-13A00-000	535A-9	68132-14L20-BPD	445B-15
56311-14L00-YSF	463B-1	59315-08K00-000	535A-10	68135-14L10-BPD	445B-16
56312-14L00-YVB	463A-2	59333-08K00-000	535A-11	68136-39J00-000	445A-14
	463B-2	59345-08K00-000	535A-12	68141-14L00-YVB	445A-15
56321-14L00-000	463A-3	59351-08K00-000	535A-13	68141-14L00-YVZ	445B-14
	463B-3	59382-13A00-000	535A-14	68142-14L20-BPD	445B-17
56500-34JA0-000	462A-8	59386-13A00-000	535A-15	68145-14L10-BPD	445B-18
56533-33G60-000	462A-9	59387-08K00-000	535A-16	68161-14L00-CDH	435A-14-1
	462A-11	59388-41HA0-000	535A-17	68161-14L00-CDJ	435A-14-2
56600-34JA0-000	462A-10	59480-14L00-000	537A-14	68161-14L00-CDK	435A-14-3
57100-02L00-000	467A-1	59492-30H30-000	537A-15	68161-14L00-KGL	435A-14-4
57110-30H11-000	467A-2	59600-14L00-000	537A-1	68161-14L30-C13	435B-14
57211-22D12-000	467A-3	59600-46810-000	537A-2	68162-14L00-CDH	435A-15-1
57216-02L01-000	462A-3	59664-32F00-000	537A-4	68162-14L00-CDJ	435A-15-2
57300-14L00-000	467A-4	59666-44300-000	537A-3	68162-14L00-CDK	435A-15-3
57420-14L00-000	467A-5	59667-04700-000	537A-5	68162-14L00-KGL	435A-15-4
57431-14L00-000	467A-6	59668-14F00-000	537A-6	68162-14L30-C13	435B-15
57431-14L10-000	467A-10	59669-21D20-000	537A-7	68163-14L00-AHW	438A-9-3
57460-14J10-000	467A-23	59671-36500-000	537A-8	68163-14L00-CDG	438A-9-2
57465-17C00-000	467A-24	59675-06F10-000	537A-9	68163-14L00-CTY	438B-9
57500-14L00-000	467A-9			68163-14L00-JDT	438A-9-1
57520-14L00-000	467A-11			68164-14L00-AHW	438A-10-3
57523-14L00-000	467A-12			68164-14L00-CDG	438A-10-2
57523-14L10-000	467A-7			68164-14L00-CTY	438B-10
57524-08K00-000	467A-13			68164-14L00-JDT	438A-10-1
57525-14L00-000	467A-14			68171-14L00-AR4	438A-11-2
57526-14L00-000	467A-15			68171-14L00-KGL	438A-11-3
57621-14L00-000	467A-16			68171-14L00-YVB	438A-11-1
58110-14L01-000	462A-12	62100-08K10-000	545A-1		438B-11
58162-14L00-000	462A-13	63111-14L00-000	474A-2	68171-34J10-YMD	463A-8
58300-44K30-000	462A-21	63112-44K01-000	474A-3		463B-8
58300-44K40-000	462A-22	63115-08K00-000	474A-4	68281-44K00-000	463A-9
58510-44K21-000	462A-14	63115-08K10-000	435A-11		463B-9

