

SUZUKI

PARTS CATALOGUE

DL1050RCM1

(JS1EF12AZ/JS1EF11AZ)

DL1050RC
DL1050RQ



V-STROM

E21

2020-9

1ST EDITION

PREFACE

When it becomes necessary to replace parts on SUZUKI MOTORCYCLES, always use SUZUKI GENUINE PARTS which have passed a strict inspection which guarantees quality and performance.

This parts catalogue covers the list of all service parts for SUZUKI DL1050RCM1, DL1050RQM1.

INSTRUCTIONS FOR QUOTING THE CATALOGUE

1. DIMENSIONS

Dimensions of the parts in this catalogue are indicated in unit millimeters.

2. ABBREVIATIONS

Abbreviations used in this catalogue are as follows:

AR	: As required	NT	: Number of teeth
ASSY	: Assembly	OPT	: Optional
E.NO.	: Engine number	OS	: Over size
F.NO.	: Frame number	STD	: Standard
D	: Diameter of material	T	: Thickness
ID	: Inside diameter	US	: Under size
OD	: Outside diameter	W	: Width
L	: Length		
LH	: Left hand side		
RH	: Right hand side		
~100045	: Up to F.NO. 100045		
100046~	: From F.NO. 100046		
12 x 34 x 5.6 Figures in the description column		
	show the dimensions of parts.		
ID OD T	(or W, L)		

3. INNER PARTS OF ASSEMBLY

Part name with a dot (.) in front as shown in the description column indicates the component of the assembly also available individually.

4. MODIFICATION NOTICE

A parts bulletin will be sent to you on all occasions when changes in parts occur, including interchangeable modifications between new parts and old ones.

5. NOTE

5-1. There are some different parts from those of production models among spare parts for the administrative reasons and common use of them with other models.

5-2. In respect of rubber hoses and vinyl tubes, please be sure to use them by cutting off according to the length mentioned on parts catalogue or what is actually required on the vehicle.

5-3. Note that the drawings on the illustration page are for ready reference of spare parts number, not to be used as an assembly manual.

When assembling, use "SUZUKI SERVICE MANUAL".

6. SPECIFICATION CODE

This catalogue contains the parts for the model designed for the following

spec. :

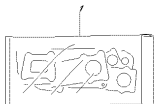
spec. code : E21.

7. SERIAL FRAME NUMBER

DL1000RCM1 : JS1EF12AZM7100001~

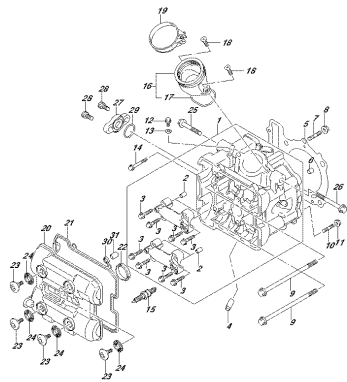
DL1000RQM1 : JS1EF11AZM7100001~

FIG. 101A



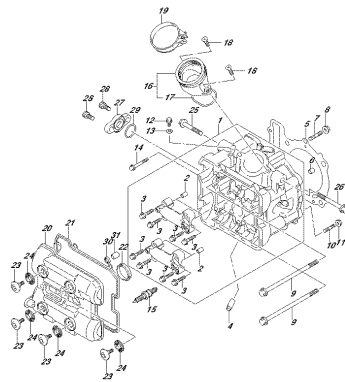
3L100PREM1_EBP_101A
GASKET SET

FIG. 104A



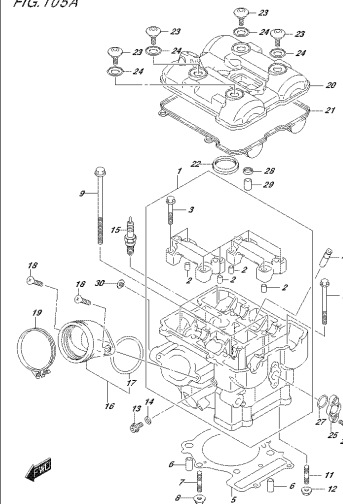
3L100PREM1_EBP_104A
CYLINDER HEAD (FRONT)

FIG. 104B



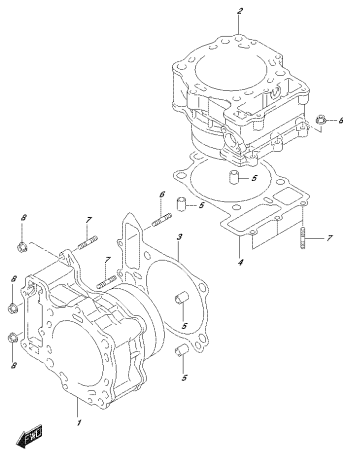
3L100PREM1_EBP_104B
CYLINDER HEAD (FRONT)

FIG. 105A



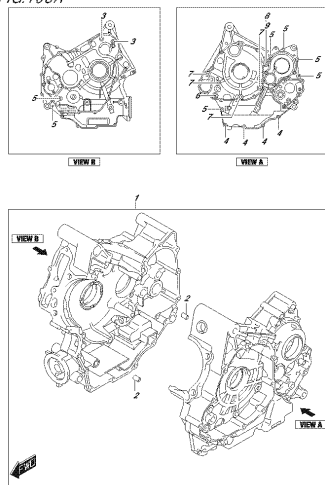
3L100PREM1_EBP_105A
CYLINDER HEAD (FRONT)

FIG. 107A



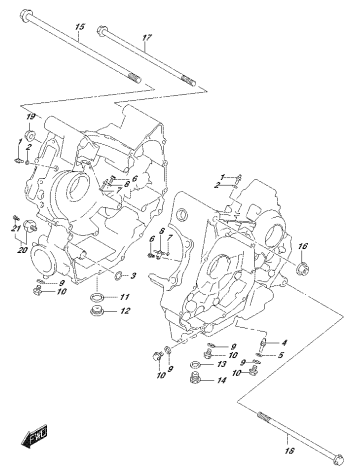
3L100PREM1_EBP_107A
CYLINDER

FIG. 108A



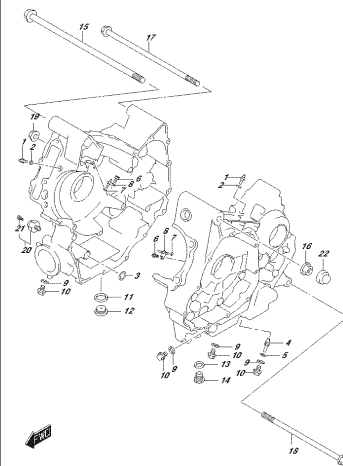
3L100PREM1_EBP_108A
CYLINDER HEAD

FIG. 109A



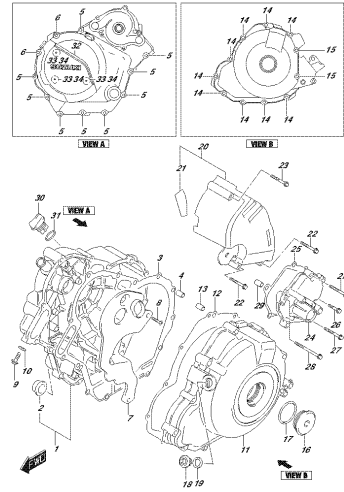
3L100PREM1_EBP_109A
CYLINDER HEAD (FRONT)

FIG. 109B



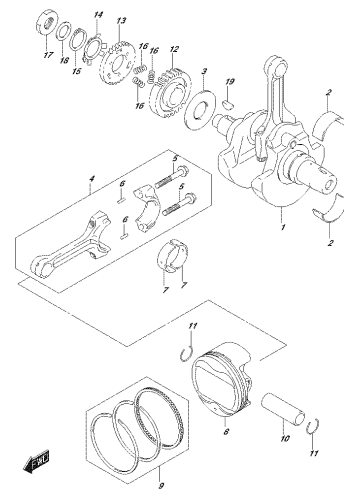
3L100PREM1_EBP_109B
CYLINDER HEAD (FRONT)

FIG. 112A



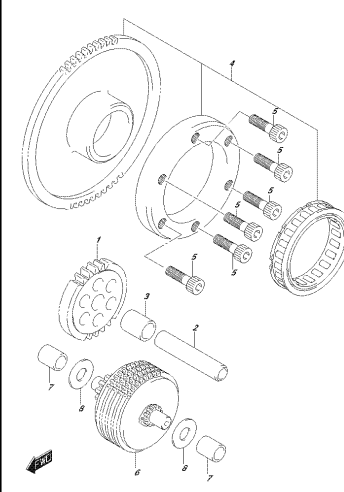
IL 100PREM1_EST_155A
CARBURATORE

FIG. 120A



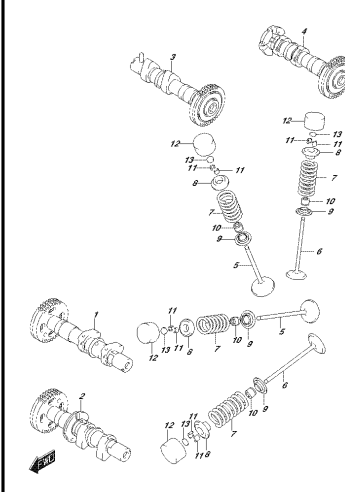
IL 100PREM1_EST_155A
STARTER CLUTCH

FIG. 122A



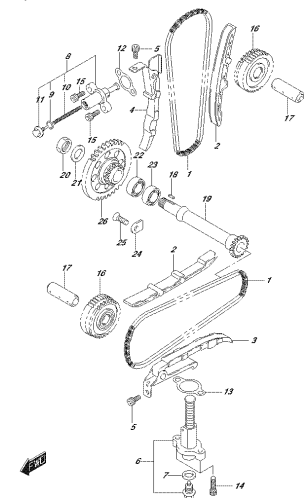
IL 100PREM1_EST_155A
STARTER GEAR

FIG. 126A



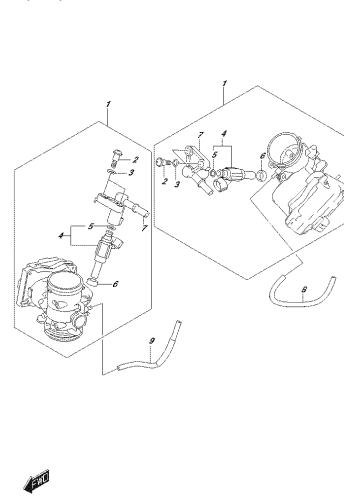
IL 100PREM1_EST_155A
CARBURATORE

FIG. 127A



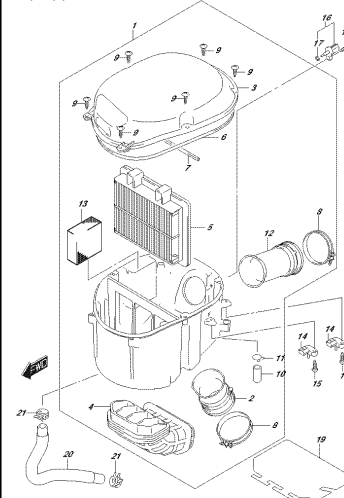
IL 100PREM1_EST_155A
CARBURATORE

FIG. 140A



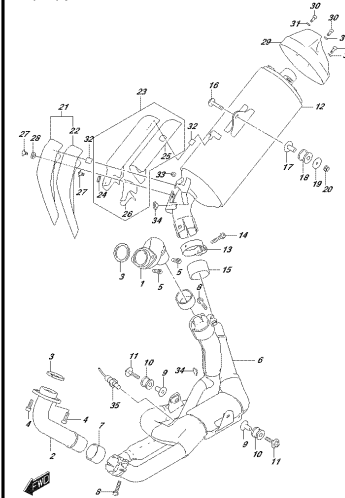
IL 100PREM1_EST_155A
CARBURATORE

FIG. 155A



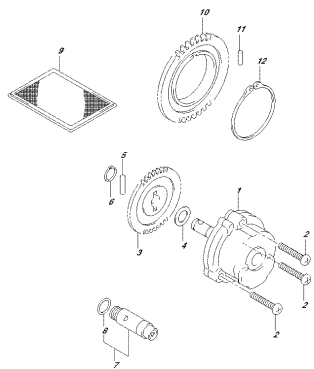
IL 100PREM1_EST_155A
AIR CLEANER

FIG. 163A



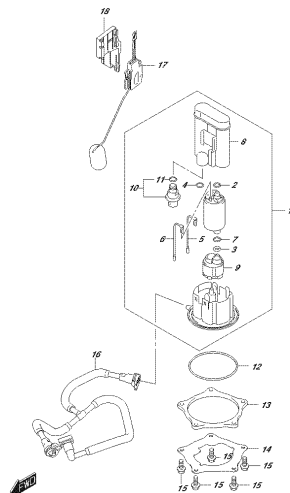
IL 100PREM1_EST_155A
AIR FILTER

FIG. 170A



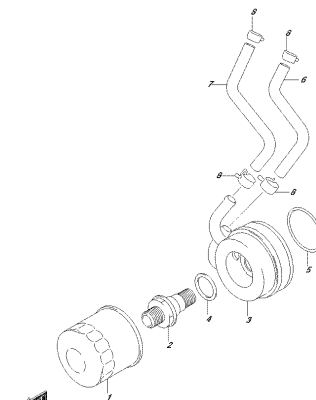
IL 100PREM1_EST_170A
CEL.FANF

FIG. 172A



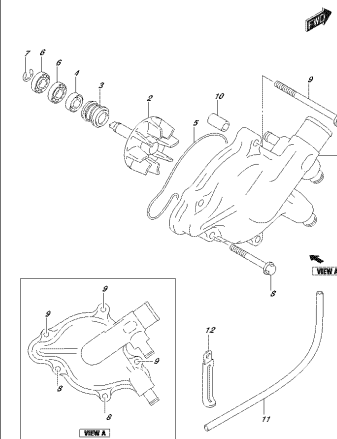
IL 100PREM1_EST_172A
FUECPUMP

FIG. 178A



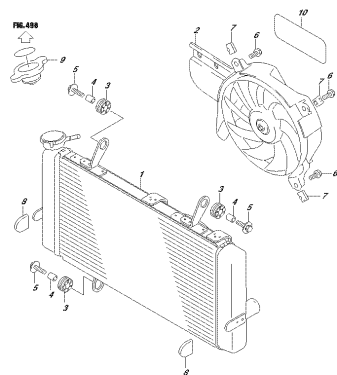
IL 100PREM1_EST_178A
CEL.COOLST

FIG. 180A



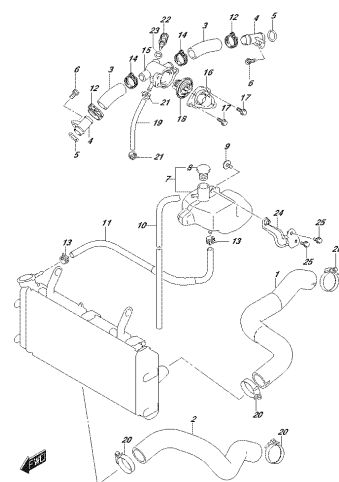
IL 100PREM1_EST_180A
WATERPUMP

FIG. 185A



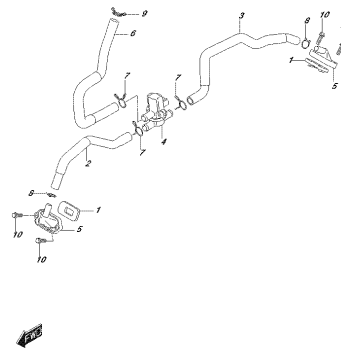
IL 100PREM1_EST_185A
RADIATOR

FIG. 187A



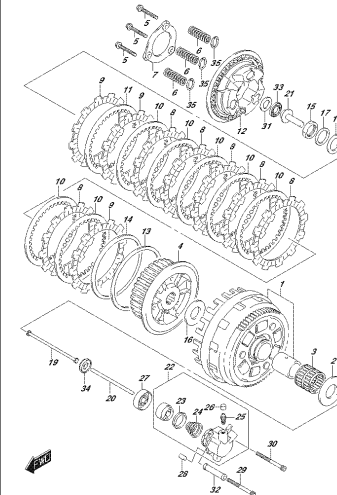
IL 100PREM1_EST_187A
RADIATORHOSE

FIG. 189A



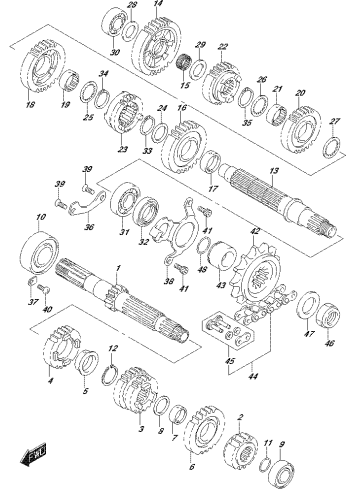
IL 100PREM1_EST_189A
RHD-RR

FIG. 201A



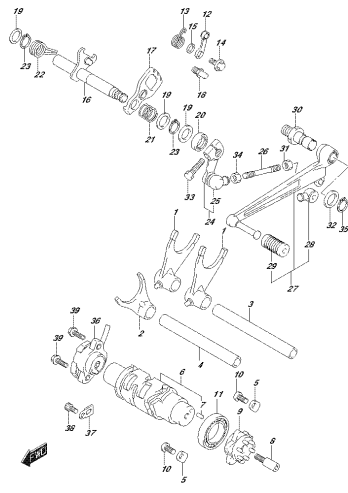
IL 100PREM1_EST_201A
CLUTCH

FIG.206A



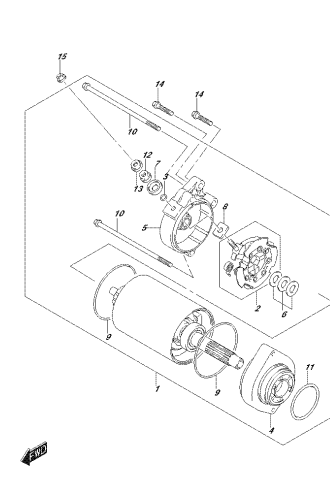
IL 1009REMI_EPI_206A
IT0445603201

FIG.212A



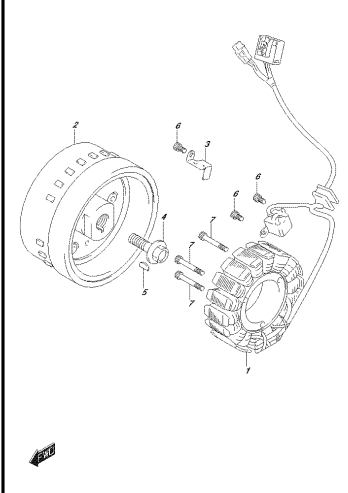
IL 1009REMI_EPI_212A
ID4450197700

FIG.301A



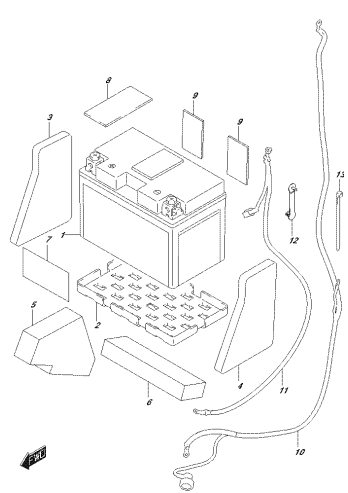
IL 1009REMI_EPI_301A
S04450197700

FIG.303A



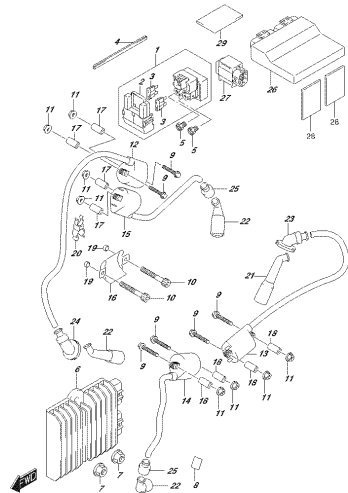
IL 1009REMI_EPI_303A
S04450197700

FIG.310A



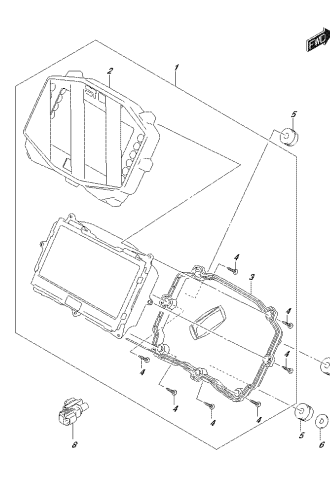
IL 1009REMI_EPI_310A
S04450197700

FIG.312A



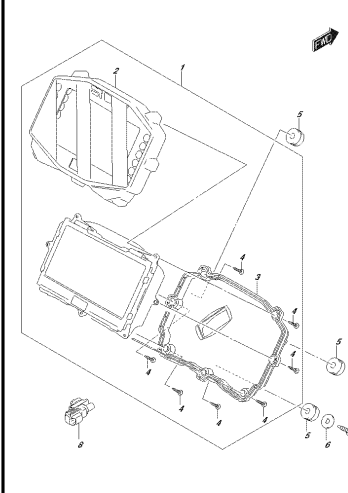
IL 1009REMI_EPI_312A
ELECTRICAL

FIG.330A



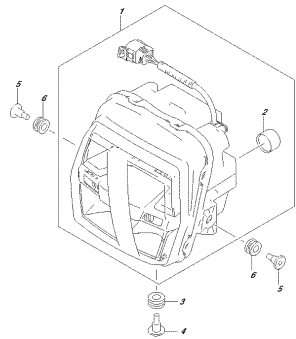
IL 1009REMI_EPI_330A
SPEEDOMETER

FIG.330E



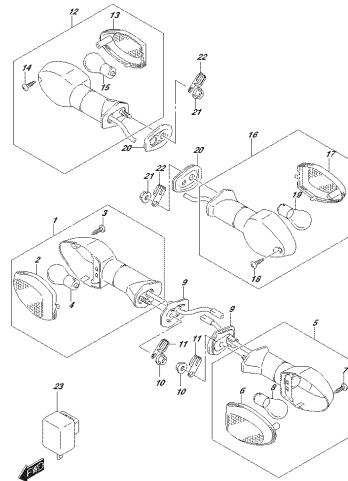
IL 1009REMI_EPI_330E
SPEEDOMETER

FIG.333A



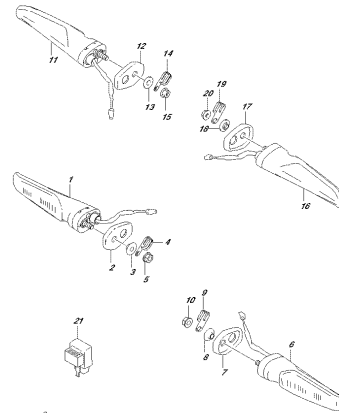
EL 1009REMI_EPI_S3M
HEADLAMP

FIG.334A



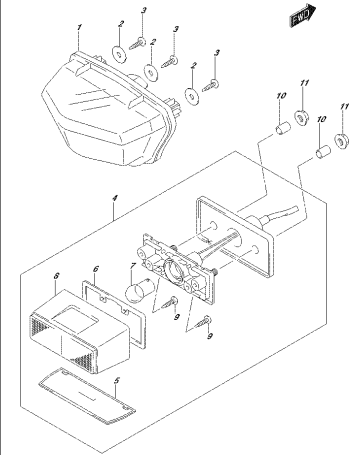
EL 1009REMI_EPI_S3M
TURN SIGNAL LAMP

FIG.334B



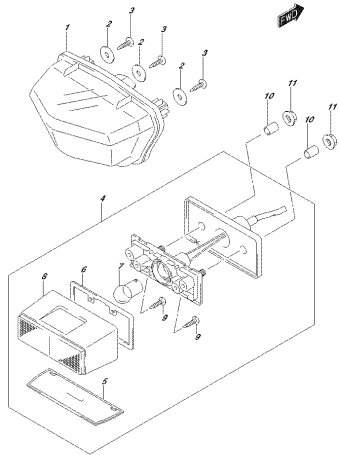
EL 1009REMI_EPI_S3B
TURN SIGNAL LAMP

FIG.339A



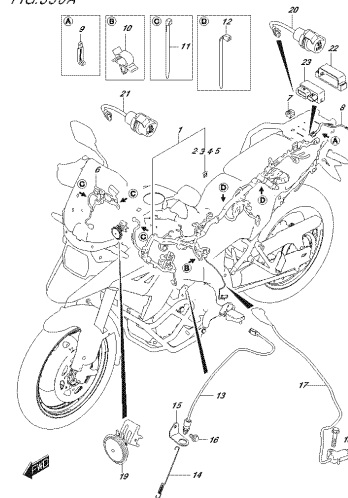
EL 1009REMI_EPI_S3M
REAR COMBINATION LAMP

FIG.339C



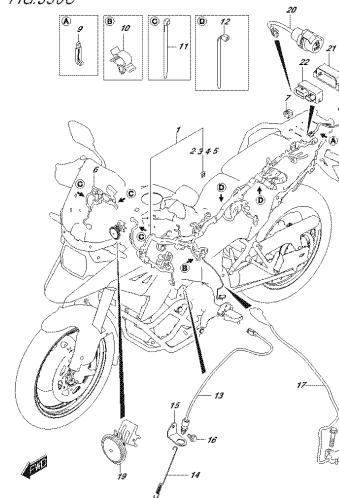
EL 1009REMI_EPI_S3C
REAR COMBINATION LAMP

FIG.350A



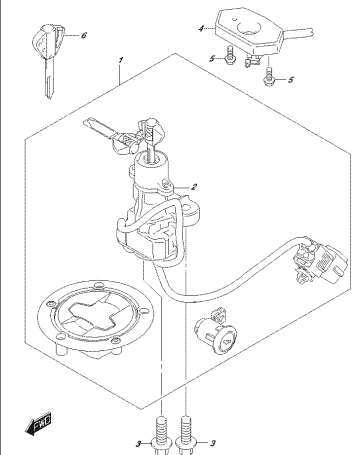
EL 1009REMI_EPI_S3M
HANDLEBAR WIRELESS

FIG.350C



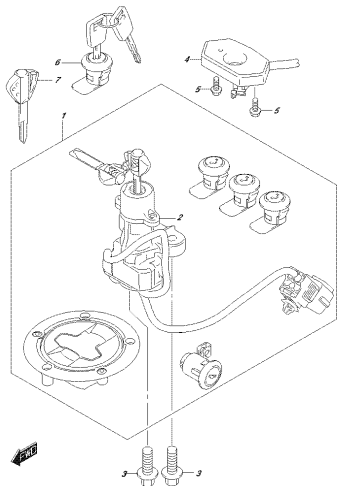
EL 1009REMI_EPI_S3C
HANDLEBAR WIRELESS

FIG.352A



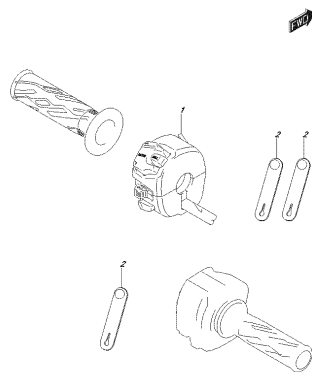
EL 1009REMI_EPI_S3M
LOCK SET

FIG.352B



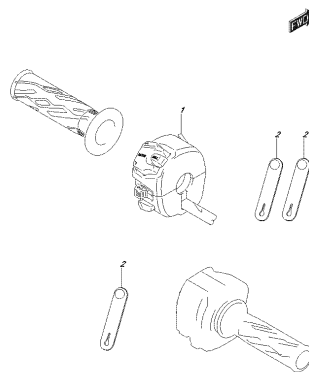
EL 100PREM1_EST_558B
LOOK-KEY

FIG.355A



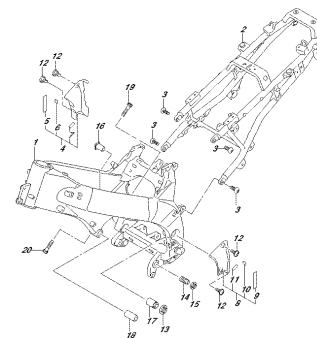
EL 100PREM1_EST_558A
HAKLECHTKEY

FIG.355B



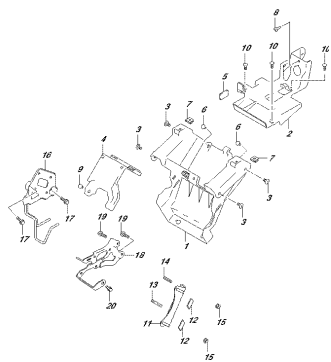
EL 100PREM1_EST_558B
HAKLECHTKEY

FIG.401A



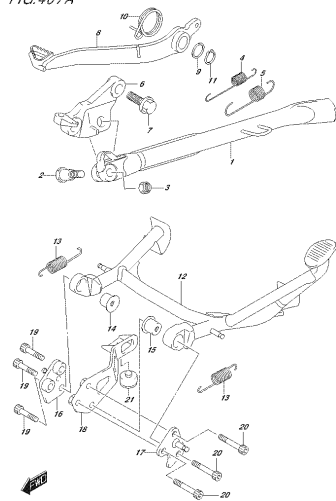
EL 100PREM1_EST_401A
STRAKE

FIG.406A



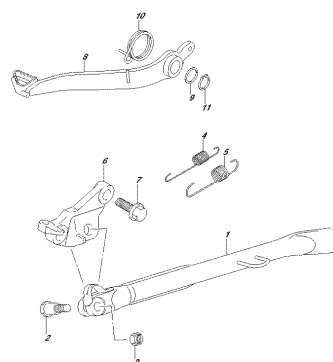
EL 100PREM1_EST_406A
HELDER

FIG.407A



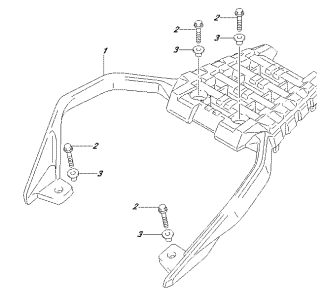
EL 100PREM1_EST_407A
STRAND

FIG.407C



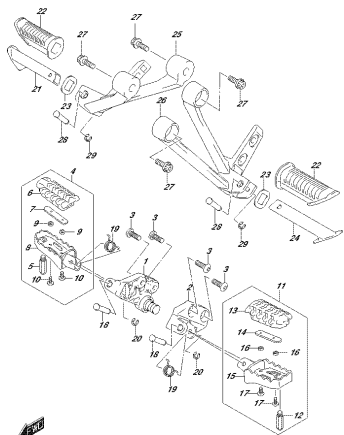
EL 100PREM1_EST_407C
STRAND

FIG.412A



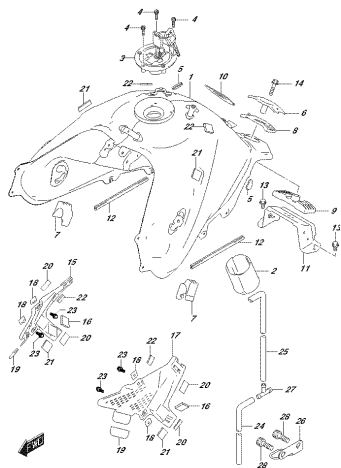
EL 100PREM1_EST_412A
CARRIER

FIG.415A



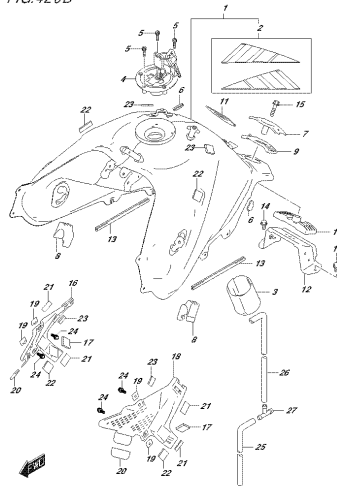
IL 10099RM1_E01_415A
FUEL FILTER

FIG.420A



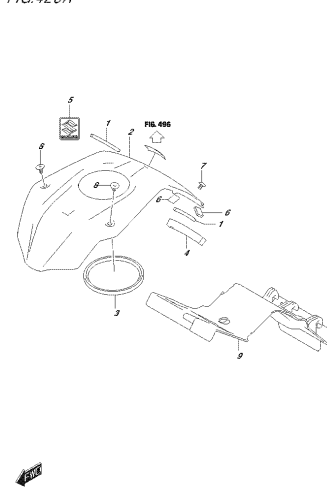
IL 10099RM1_E01_420A
FUEL BRW

FIG.420B



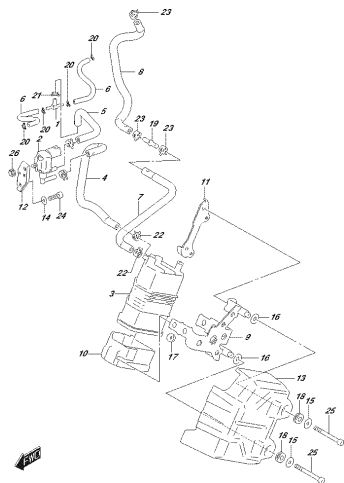
IL 10099RM1_E01_420B
FUEL BRW

FIG.423A



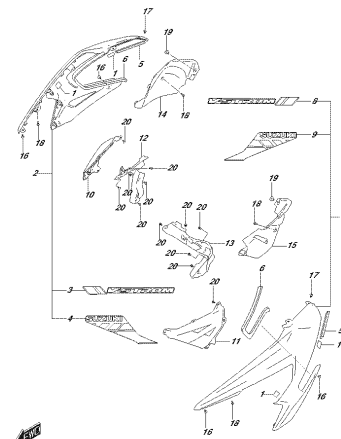
IL 10099RM1_E01_423A
FUEL BRW COVER

FIG.427B



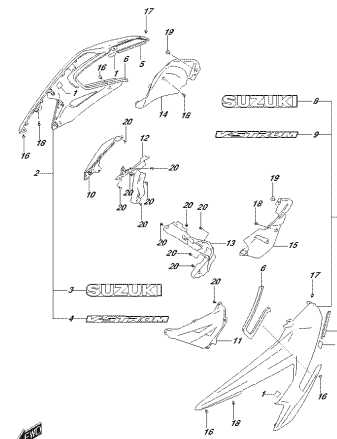
IL 10099RM1_E01_427B
ENRF SYSTEM

FIG.433A



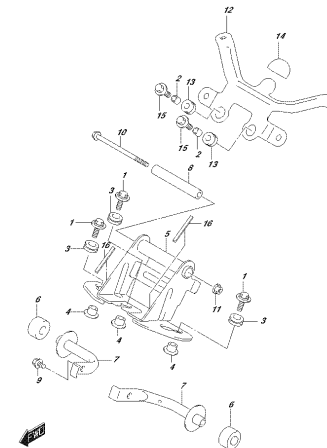
IL 10099RM1_E01_433A
SIZE CLASS

FIG.433B



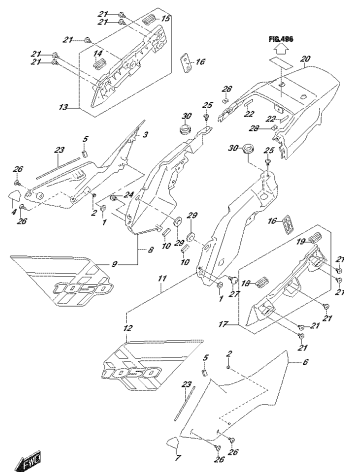
IL 10099RM1_E01_433B
SIZE CLASS

FIG.444A



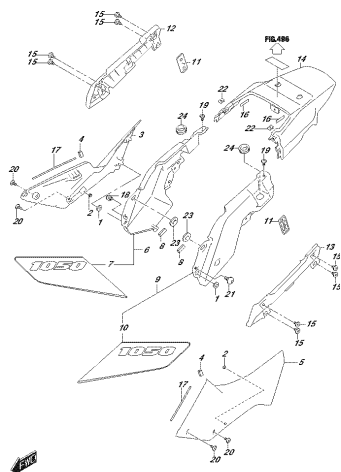
IL 10099RM1_E01_444A
FRONT BRACKET

FIG.445A



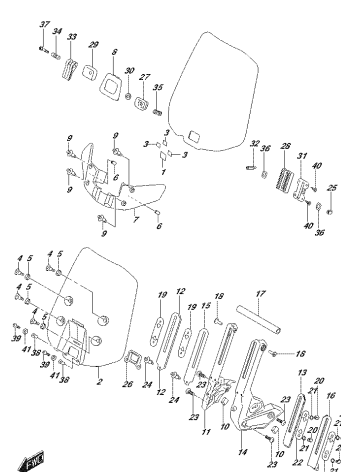
IL 100PREM, EST_445A
IT344620067

FIG.445B



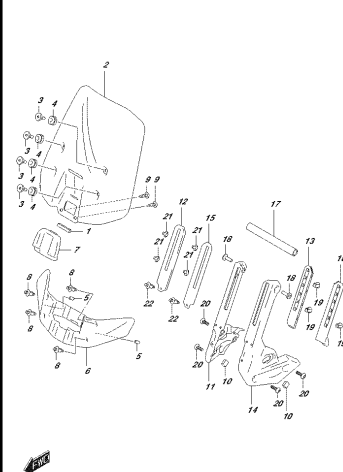
IL 100PREM, EST_445B
IT344620067

FIG.454A



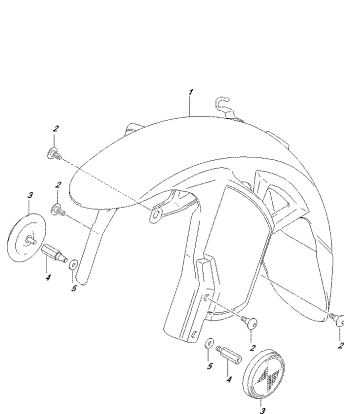
IL 100PREM, EST_454A
HT0002051

FIG.454B



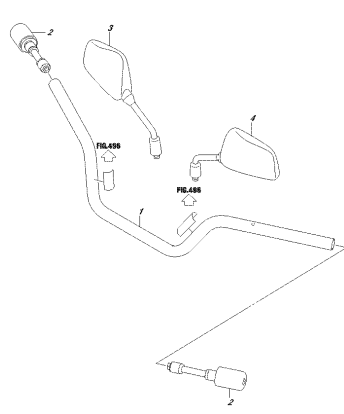
IL 100PREM, EST_454B
HT0002051

FIG.460C



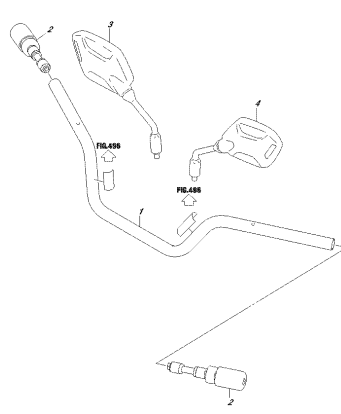
IL 100PREM, EST_460C
FRONT FENDER

FIG.462B



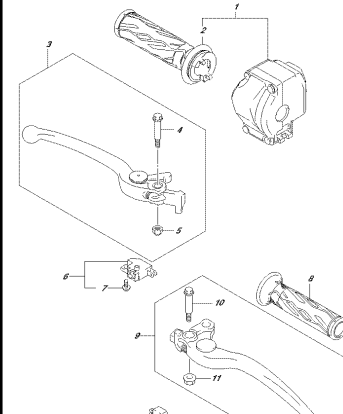
IL 100PREM, EST_462B
HANDLEBAR

FIG.462D



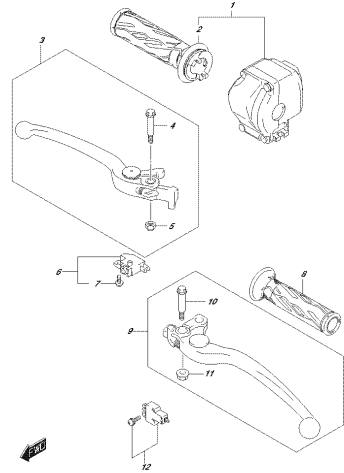
IL 100PREM, EST_462D
HANDLEBAR

FIG.467A



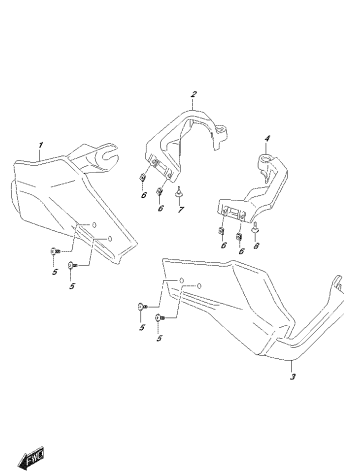
IL 100PREM, EST_467A
HANDLEBAR

FIG.467B



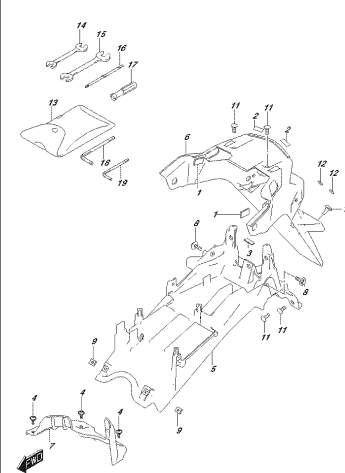
03.000PREM1_EST_467B
HANDLEBAR

FIG.472A



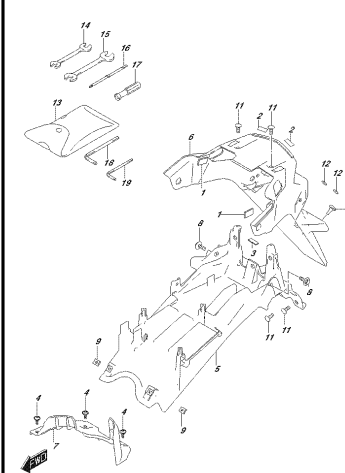
03.000PREM1_EST_472A
SEAT/SEAT RAIL

FIG.474A



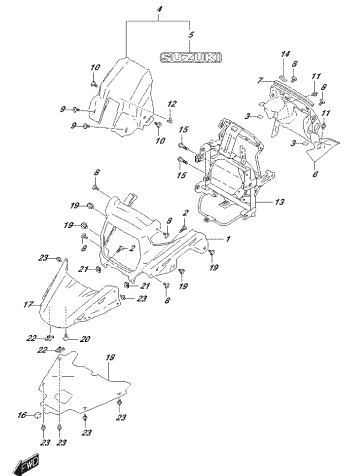
03.000PREM1_EST_474A
REAR SEAT RAIL

FIG.474B



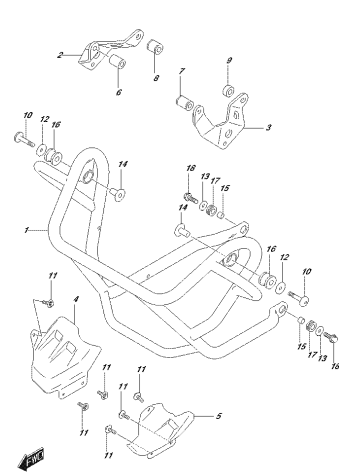
03.000PREM1_EST_474B
REAR SEAT RAIL

FIG.481A



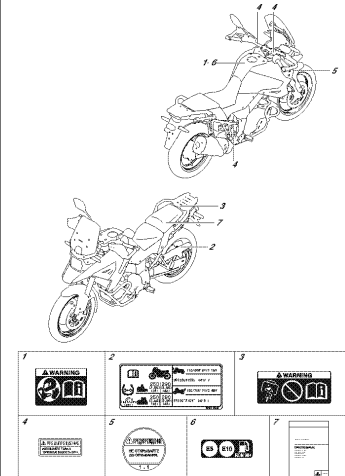
03.000PREM1_EST_481A
COMPLIANCE

FIG.492A



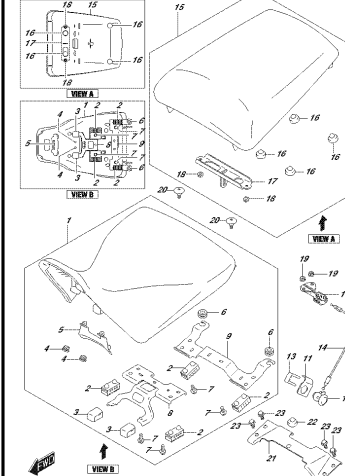
03.000PREM1_EST_492A
FRONT RAIL RIB

FIG.496A



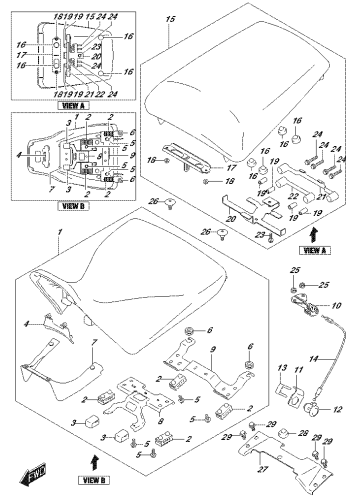
03.000PREM1_EST_496A
LABEL

FIG.505A



03.000PREM1_EST_505A
SEAT

FIG.505B



IL 1009REMI_EPI_5189
2024

FIG.521A

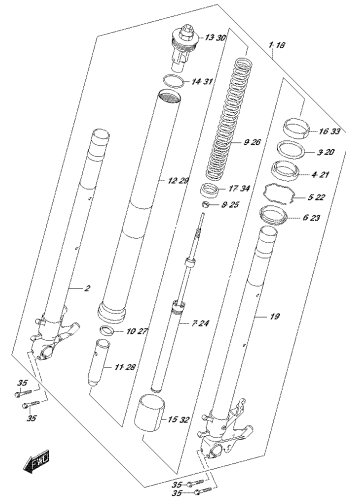
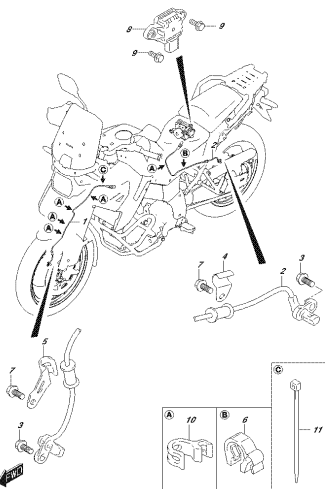
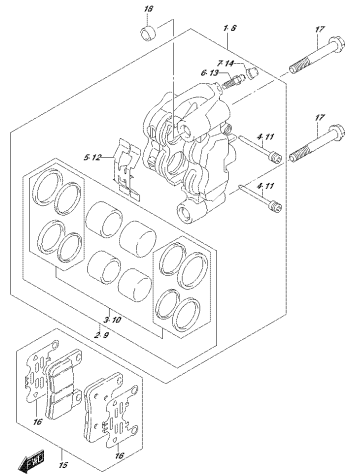


FIG.534B



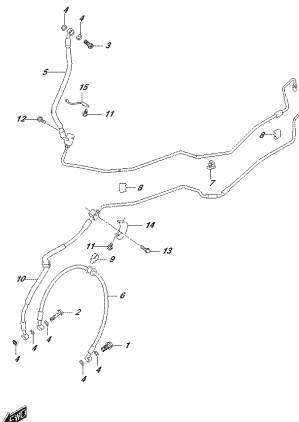
IL 1009REMI_EPI_S34B
BODY/ELECTRICK

FIG.535A



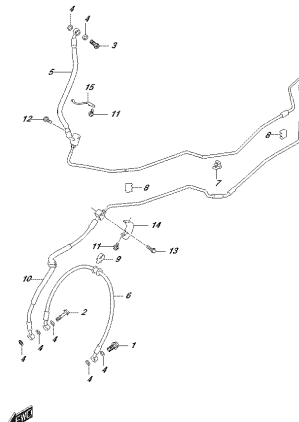
IL 1009REMI_EPI_S35A
FRONT FAIRING

FIG.536A



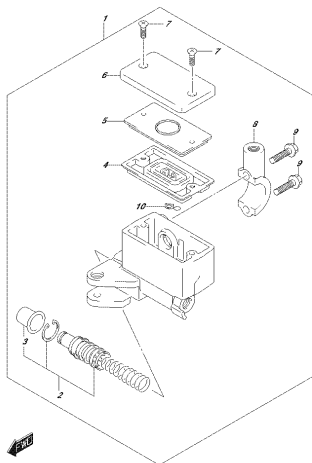
IL 1009REMI_EPI_S36A
FRONT FORK/SHOCKS

FIG.536B



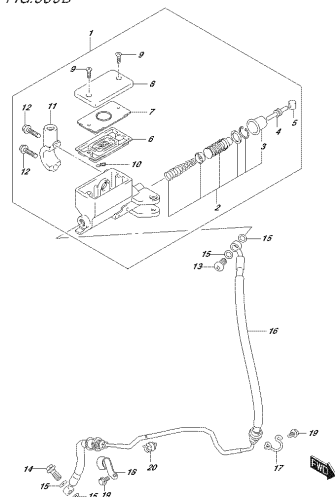
IL 1009REMI_EPI_S36B
FRONT FORK/SHOCKS

FIG.537B



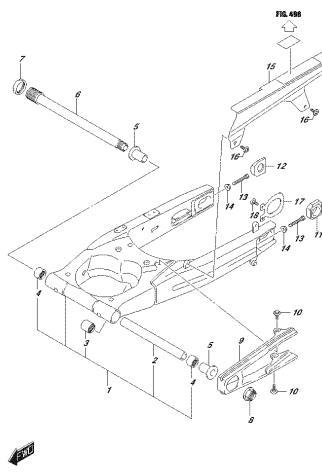
IL 1009REMI_EPI_S37B
FRONT MASTERCYLINDER

FIG.539B



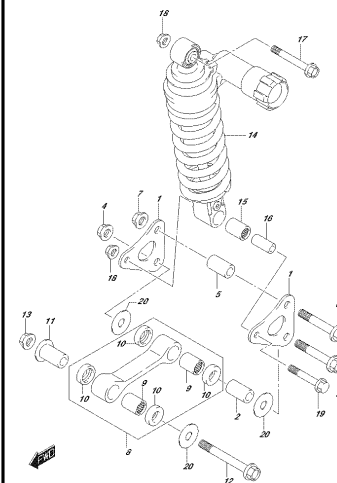
IL 1009REMI_EPI_S39B
CLUTCH MASTERCYLINDER

FIG.541A



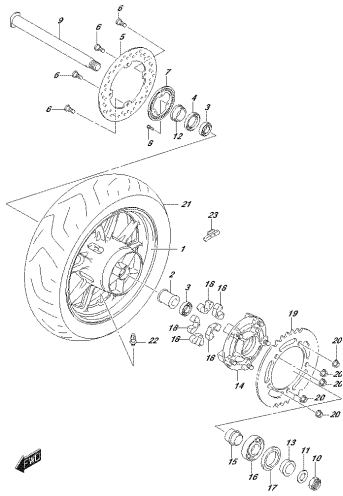
IL 1009REMI_EPI_S41A
REAR SUSPENSION LINKS

FIG.543A



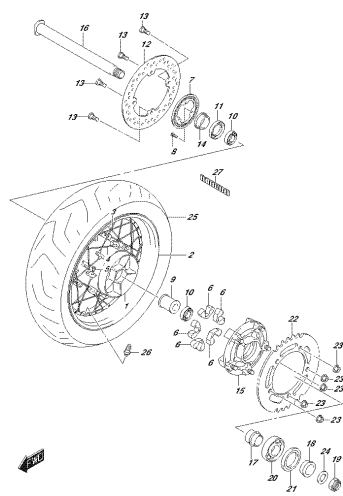
IL 1009REMI_EPI_S43A
REAR SHOCK/SHOCK LEVER

FIG.550A



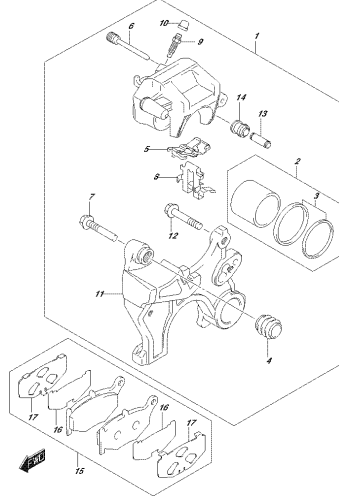
EX.1009REAR_EPI_550A
REAR WHEEL

FIG.550B



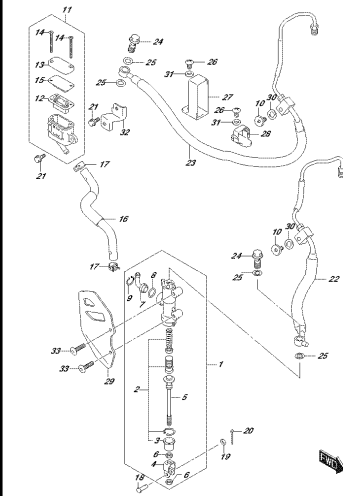
EX.1009REAR_EPI_550B
REAR WHEEL

FIG.555A



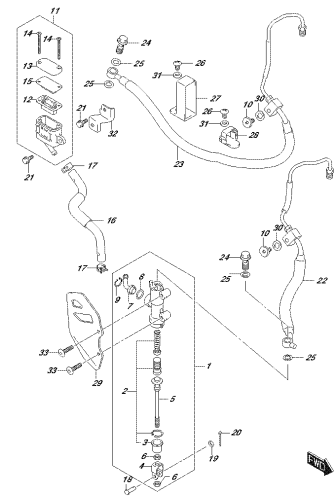
EX.1009REAR_EPI_555A
REAR MASTER CYLINDER

FIG.558A



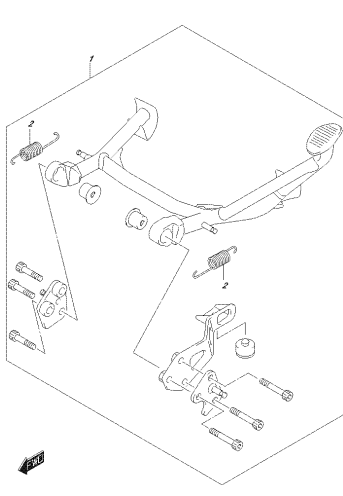
EX.1009REAR_EPI_558A
REAR MASTER CYLINDER

FIG.558C



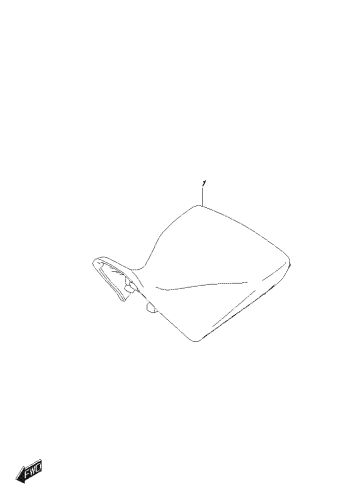
EX.1009REAR_EPI_558C
REAR MASTER CYLINDER

FIG.970A



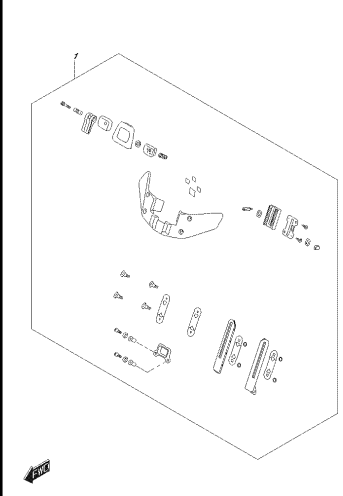
EX.1009REAR_EPI_970A
OPTICAL

FIG.970C



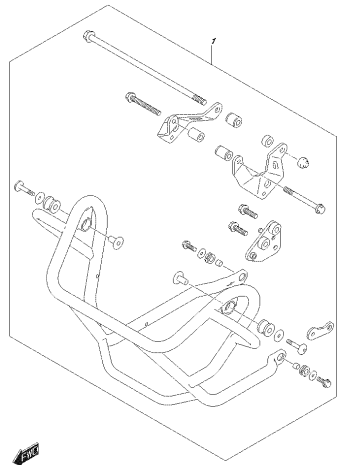
EX.1009REAR_EPI_970C
OPTICAL

FIG.970D



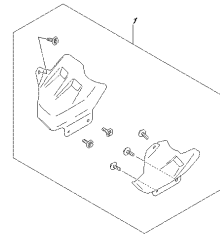
EX.1009REAR_EPI_970D
OPTICAL

FIG.970E



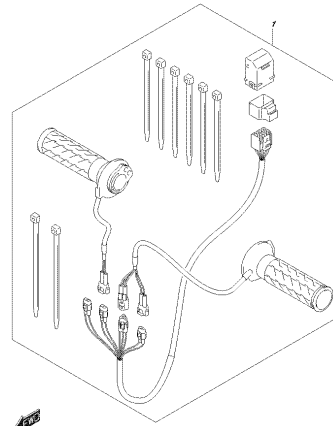
03.10099RM1_EST_070E
OPZIONALE

FIG.970F



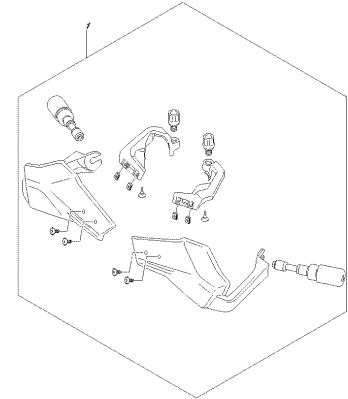
03.10099RM1_EST_070F
OPZIONALE

FIG.970G



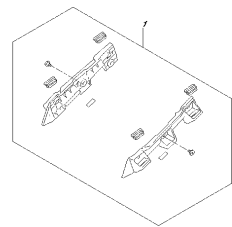
03.10099RM1_EST_070G
OPZIONALE

FIG.970H



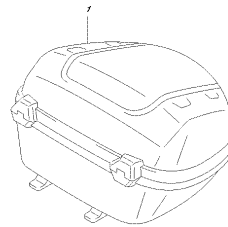
03.10099RM1_EST_070H
OPZIONALE

FIG.970J



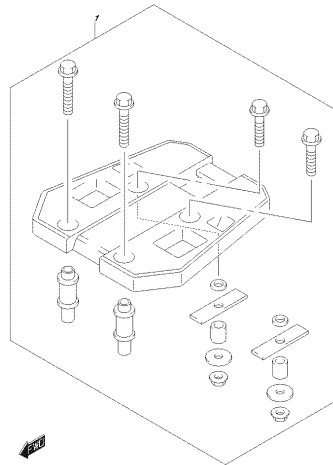
03.10099RM1_EST_070J
OPZIONALE

FIG.970K



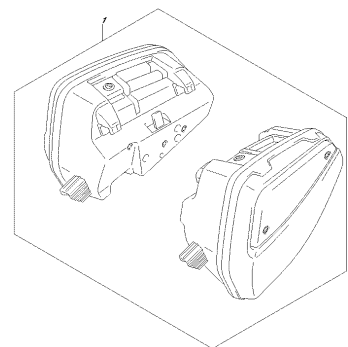
03.10099RM1_EST_070K
OPZIONALE

FIG.970L



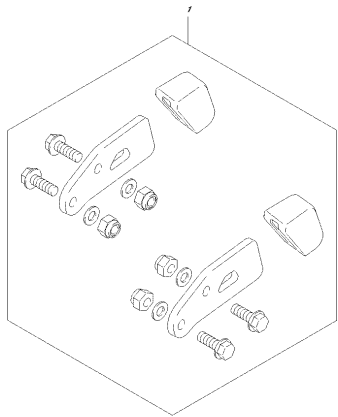
03.10099RM1_EST_070L
OPZIONALE

FIG.970M



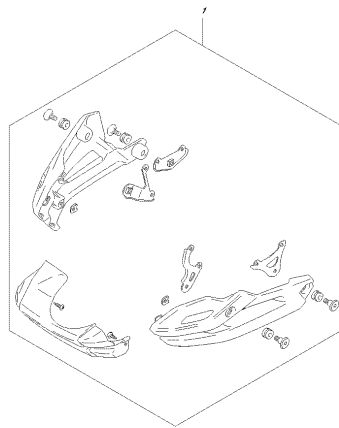
03.10099RM1_EST_070M
OPZIONALE

FIG. 970N



IL DISBRAMO, EST. 970N
OPZIONALE

FIG. 970P



IL DISBRAMO, EST. 970P
OPZIONALE

FIG.101A

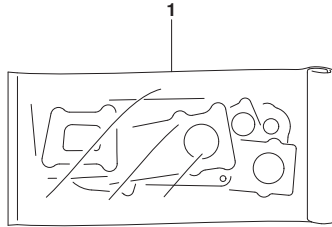


FIG.101A (1-B-2) GASKET SET

REF NO.	PART NO.	DESCRIPTION	QTY	REMARKS
1	11401-31850-000	GASKET SET	1	OPT
2	11141-31J00-000	.GASKET,CYLINDER HEAD	2	NOT ILLUSTRATED
3	11173-02F00-000	.GASKET,CYL HEAD COVER NO.1	2	NOT ILLUSTRATED
4	11178-17E00-000	.GASKET,CYL HEAD COVER NO.2	2	NOT ILLUSTRATED
5	11182-35F10-000	.GASKET,2ND AIR PASSAGE	2	NOT ILLUSTRATED
6	11241-31J00-000	.GASKET,CYLINDER FRONT	1	NOT ILLUSTRATED
7	11242-06L00-000	.GASKET,CYLINDER REAR	1	NOT ILLUSTRATED
8	11482-06G10-000	.GASKET,CLUTCH COVER	1	NOT ILLUSTRATED
9	11483-02F10-000	.GASKET,MAGNETO COVER	1	NOT ILLUSTRATED
10	11485-02F10-000	.GASKET,GEAR SHIFT COVER	1	NOT ILLUSTRATED
11	12837-19B10-000	.GASKET,TENSIONER ADJUSTER	1	NOT ILLUSTRATED
12	12837-24A10-000	.GASKET,TENSIONER ADJUSTER	1	NOT ILLUSTRATED
13	14181-31D00-000	.GASKET,EXH PIPE	2	NOT ILLUSTRATED
14	17435-02F00-000	.O RING,WATER PUMP CASE	1	NOT ILLUSTRATED
15	09280-33004-000	.O RING (D:3.1,ID:32.7)	1	NOT ILLUSTRATED

FIG.104A

FIG.104A (1-B-3) CYLINDER HEAD (FRONT) (DL1050RQ)

REF NO.	PART NO.	DESCRIPTION	Q'TY	REMARKS
1	11100-31J20-000	HEAD ASSY,CYLINDER FRONT	1	
2	09206-08001-000	.PIN (8X11)	4	
3	09103-06266-000	.BOLT (6X40)	8	
4	11115-32E70-000	GUIDE, VALVE (OS:0.3)	8	
5	11141-31J00-000	GASKET,CYLINDER HEAD	1	
6	04211-13189-000	PIN	2	
7	09108-08143-000	BOLT,STUD (L:35)	1	
8	08316-1008B-000	NUT	1	
9	11117-33H00-000	BOLT,CYLINDER HEAD,L165 (10X17 5)	4	
10	09108-06096-000	BOLT,STUD (6X30)	2	
11	08316-1006B-000	NUT	2	
12	01550-0612A-000	BOLT	1	
13	09168-06023-000	GASKET (5.8X13X1.2)	1	
14	09103-06220-000	BOLT (6X60)	2	
15	09482-00635-000	PLUG,SPARK (LMAR8BI-9)	4	
16	13101-06L00-000	PIPE ASSY,INTAKE FRONT	1	
17	09280-55005-000	.O RING (D:2.4,ID:55.6)	1	
18	02122-0616B-000	SCREW	4	
19	13826-22H00-000	CLAMP	2	
20	11171-06L00-000	COVER,CYLINDER HEAD FRONT	1	
21	11173-02F00-000	GASKET,CYL HEAD COVER NO.1	2	
22	11178-17E00-000	GASKET,CYL HEAD COVER NO.2	2	
23	09106-07021-000	BOLT (7X17.5)	8	
24	11191-27E00-000	WASHER,CYL HEAD COVER (L:5.5)	8	
25	01550-1050A-000	BOLT	1	
26	01550-1070A-000	BOLT	1	
27	11134-31J10-000	COVER,CYL HEAD NO.2	2	
28	09106-06075-000	BOLT (6X12)	4	
29	09280-19005-000	O-RING (D:2.4,ID:19)	2	
30	11182-35F10-000	GASKET,2ND AIR PASSAGE	2	
31	09206-10016-000	PIN (8.2X10X13)	2	

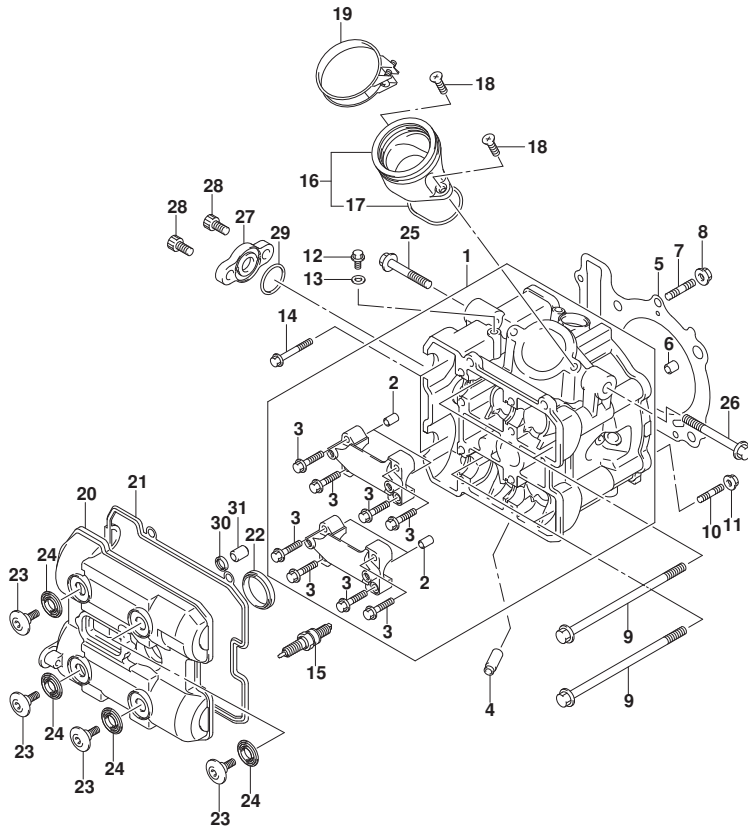


FIG.104B

FIG.104B (1-B-4) CYLINDER HEAD (FRONT) (DL1050RC)

REF NO.	PART NO.	DESCRIPTION	Q'TY	REMARKS
1	11100-31J20-000	HEAD ASSY,CYLINDER FRONT	1	
2	09206-08001-000	.PIN (8X11)	4	
3	09103-06266-000	.BOLT (6X40)	8	
4	11115-32E70-000	GUIDE, VALVE (OS:0.3)	8	
5	11141-31J00-000	GASKET,CYLINDER HEAD	1	
6	04211-13189-000	PIN	2	
7	09108-08143-000	BOLT,STUD (L:35)	1	
8	08316-1008B-000	NUT	1	
9	11117-33H00-000	BOLT,CYLINDER HEAD,L165 (10X17 5)	4	
10	09108-06096-000	BOLT,STUD (6X30)	2	
11	08316-1006B-000	NUT	2	
12	01550-0612A-000	BOLT	1	
13	09168-06023-000	GASKET (5.8X13X1.2)	1	
14	09103-06220-000	BOLT (6X60)	2	
15	09482-00635-000	PLUG,SPARK (LMAR8BI-9)	4	
16	13101-06L00-000	PIPE ASSY,INTAKE FRONT	1	
17	09280-55005-000	.O RING (D:2.4,ID:55.6)	1	
18	02122-0616B-000	SCREW	4	
19	13826-22H00-000	CLAMP	2	
20	11171-06L00-000	COVER,CYLINDER HEAD FRONT	1	
21	11173-02F00-000	GASKET,CYL HEAD COVER NO.1	2	
22	11178-17E00-000	GASKET,CYL HEAD COVER NO.2	2	
23	09106-07021-000	BOLT (7X17.5)	8	
24	11191-27E00-000	WASHER,CYL HEAD COVER (L:5.5)	8	
25	01550-1085B-000	BOLT,ENG MTG HEAD FRONT RH	1	
26	09103-10475-000	BOLT,ENG MTG HEAD FRONT LH	1	
27	11134-31J10-000	COVER,CYL HEAD NO.2	2	
28	09106-06075-000	BOLT (6X12)	4	
29	09280-19005-000	O-RING (D:2.4,ID:19)	2	
30	11182-35F10-000	GASKET,2ND AIR PASSAGE	2	
31	09206-10016-000	PIN (8.2X10X13)	2	

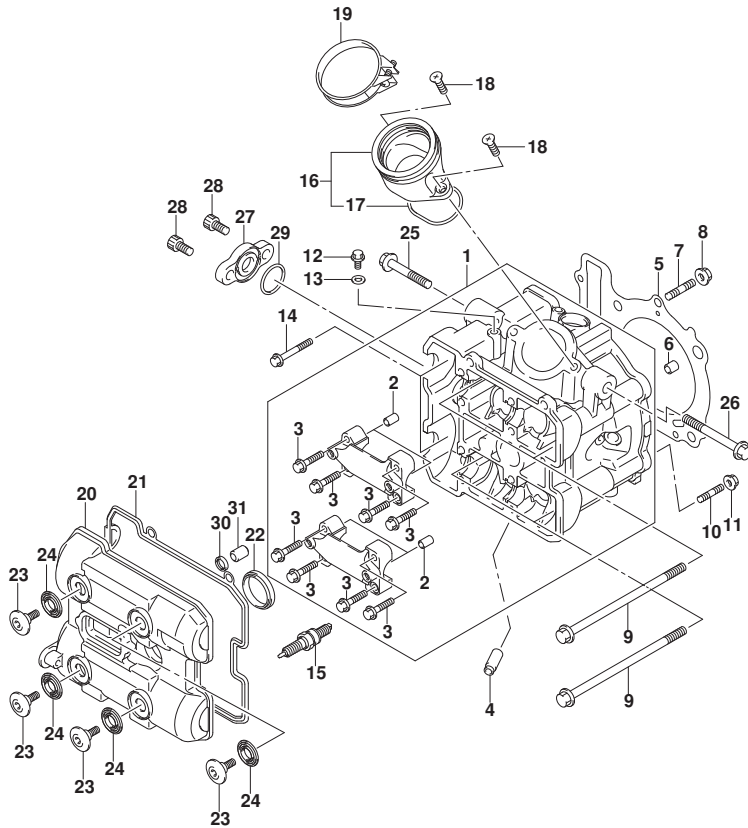


FIG.105A

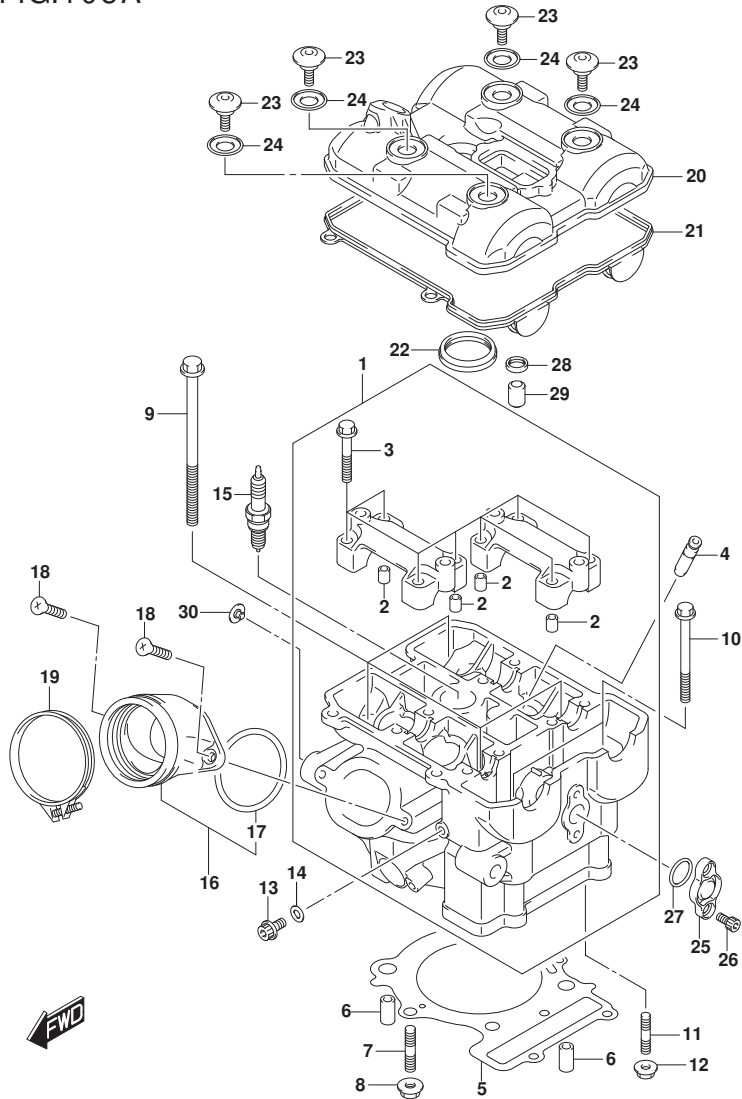


FIG.105A (1-B-5) CYLINDER HEAD (REAR)

REF NO.	PART NO.	DESCRIPTION	Q'TY	REMARKS
1	11100-31J10-000	HEAD ASSY,CYLINDER FRONT	1	
2	09206-08001-000	.PIN (8X11)	4	
3	09103-06266-000	.BOLT (6X40)	8	
4	11115-32E70-000	GUIDE, VALVE (OS:0.3)	8	
5	11141-31J00-000	GASKET,CYLINDER HEAD	1	
6	04211-13189-000	PIN	2	
7	09108-08143-000	BOLT,STUD (L:35)	1	
8	08316-1008B-000	NUT	1	
9	11117-33H00-000	BOLT,CYLINDER HEAD,L165 (10X17 5)	4	
10	09103-06220-000	BOLT (6X60)	2	
11	09108-06096-000	BOLT,STUD (6X30)	2	
12	08316-1006B-000	NUT	2	
13	01550-0612A-000	BOLT	1	
14	09168-06023-000	GASKET (5.8X13X1.2)	1	
15	09482-00635-000	PLUG,SPARK (LMAR8BI-9)	4	
16	13102-06L00-000	PIPE ASSY,INTAKE REAR	1	
17	09280-55005-000	.O RING (D:2.4,ID:55.6)	1	
18	02122-0616B-000	SCREW	4	
19	13826-22H00-000	CLAMP	2	
20	11172-31J10-000	COVER,CYLINDER HEAD REAR	1	
21	11173-02F00-000	GASKET,CYL HEAD COVER NO.1	2	
22	11178-17E00-000	GASKET,CYL HEAD COVER NO.2	2	
23	09106-07021-000	BOLT (7X17.5)	8	
24	11191-27E00-000	WASHER,CYL HEAD COVER (L:5.5)	8	
25	11134-31J10-000	COVER,CYL HEAD NO.2	2	
26	09106-06075-000	BOLT (6X12)	4	
27	09280-19005-000	O-RING (D:2.4,ID:19)	2	
28	11182-35F10-000	GASKET,2ND AIR PASSAGE	2	
29	09206-10016-000	PIN (8.2X10X13)	2	
30	11151-27G01-000	CAP,ENGINE MOUNTING RR RH	1	

FIG.107A

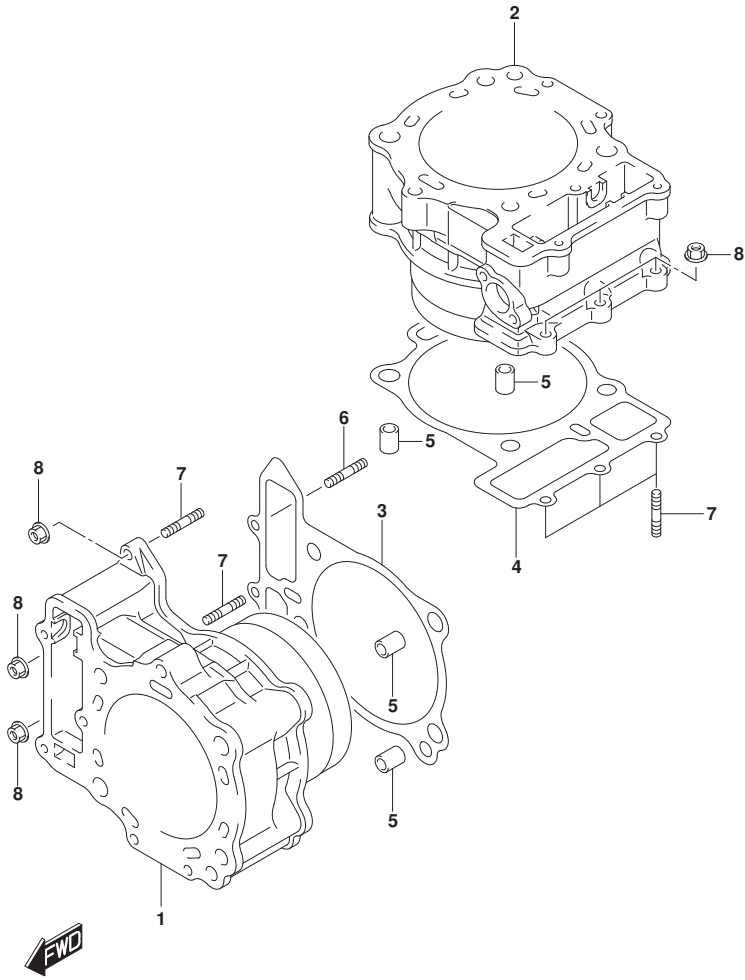


FIG.107A (1-B-6) CYLINDER

REF NO.	PART NO.	DESCRIPTION	Q'TY	REMARKS
1	11211-31J10-0F0	CYLINDER,FRONT	1	
2	11221-31J10-0F0	CYLINDER,REAR	1	
3	11241-31J00-000	GASKET,CYLINDER FRONT	1	
4	11242-06L00-000	GASKET,CYLINDER REAR	1	
5	04211-13189-000	PIN	4	
6	09108-06124-000	BOLT,STUD (L:20)	1	
7	01421-0620A-000	BOLT,STUD	5	
8	08316-1006B-000	NUT	6	

FIG.108A

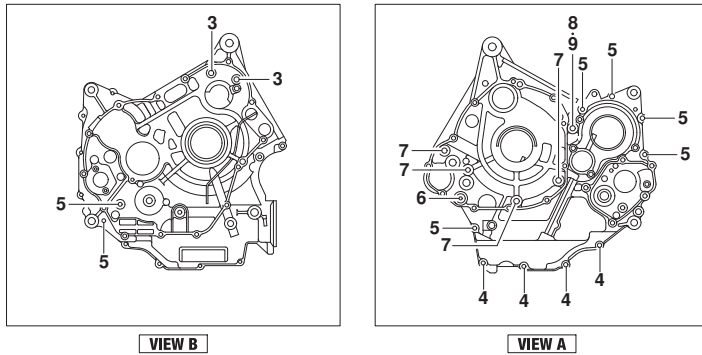


FIG.108A (1-B-7) CRANKCASE

REF NO.	PART NO.	DESCRIPTION	QTY	REMARKS
1	11306-06840-000	CRANKCASE SET	1	
2	11319-33E00-000	.PIN,CRANKCASE	2	
3	09106-08142-000	.BOLT (8X110)	2	
4	01547-0630A-000	.BOLT	4	
5	01547-0670A-000	.BOLT	7	
6	01547-0685A-000	.BOLT	1	
7	07120-0890A-000	.BOLT	4	
8	09106-08136-000	.BOLT (8X125)	1	
9	08322-0108A-000	.WASHER,LOCK	1	

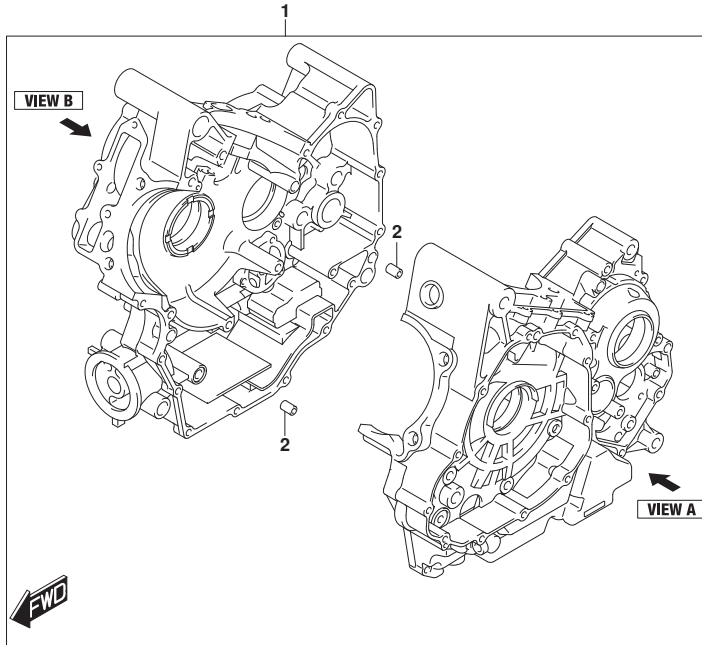


FIG.109A

FIG.109A (1-B-8) CYLINDER HEAD (FRONT) (DL1050RQ)

REF NO.	PART NO.	DESCRIPTION	Q'TY	REMARKS
1	09493-28010-000	JET AIR (#14)	2	
2	09280-04004-000	O-RING (D:1.2,ID:4)	2	
3	09280-13007-000	O-RING (D:1.9,ID:12.5)	1	
4	09493-20014-000	JET,T/M OIL GALLERY	1	
5	09280-04004-000	O-RING (D:1.2,ID:4)	1	
6	09106-06075-000	BOLT (6X12)	2	
7	09280-05007-000	O-RING (D:1.2,ID:4.7)	2	
8	11390-06G10-000	JET,PISTON COOLING	2	
9	09168-08016-000	GASKET (8.2X14X1)	4	
10	01550-0812A-000	BOLT	4	
11	09168-16002-000	GASKET (16X22X2)	1	
12	09248-16012-000	PLUG (16X8)	1	
13	09168-14002-000	GASKET (13.8X18.8X4.8)	1	
14	09247-14036-000	PLUG (14X20)	1	
15	09103-12016-000	BOLT (L:300)	1	
16	09159-12056-000	NUT	1	
17	09103-10205-000	BOLT (10X225)	1	
18	09103-10226-000	BOLT (10X260)	1	
19	08319-3110A-000	NUT	1	
20	37820-33D10-000	SWITCH ASSY,OIL PRESSURE	1	
21	37822-33D00-000	.BOLT,OIL PRESSURE SWITCH	1	

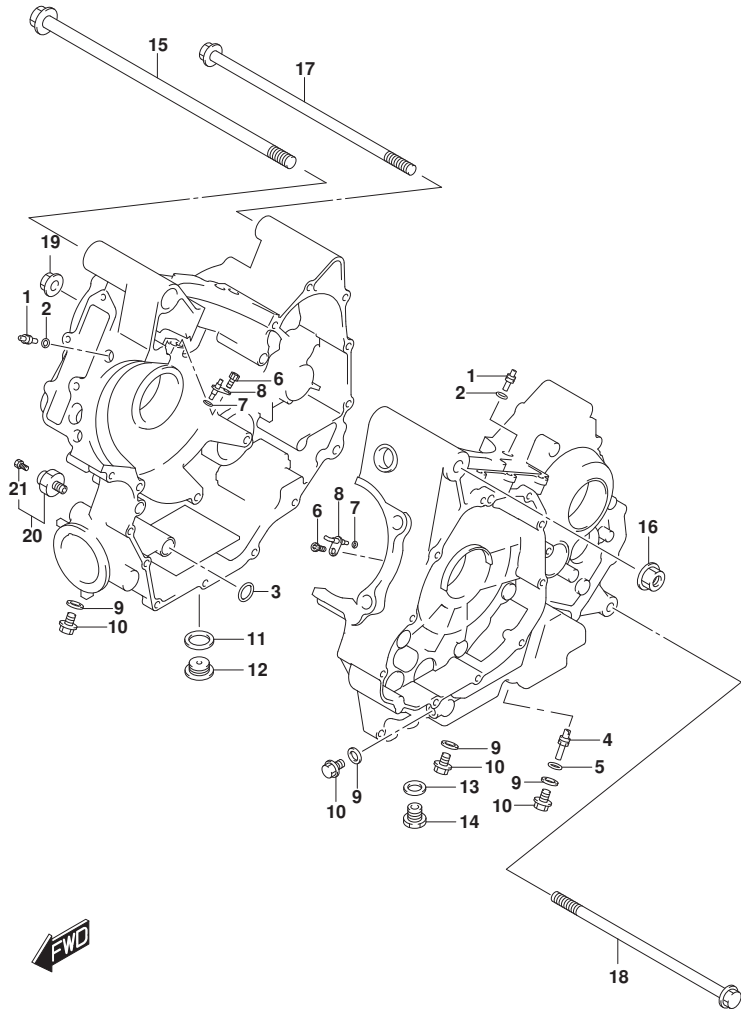


FIG.109B

FIG.109B (1-B-9) CYLINDER HEAD (FRONT) (DL1050RC)

REF NO.	PART NO.	DESCRIPTION	Q'TY	REMARKS
1	09493-28010-000	JET AIR (#14)	2	
2	09280-04004-000	O-RING (D:1.2,ID:4)	2	
3	09280-13007-000	O-RING (D:1.9,ID:12.5)	1	
4	09493-20014-000	JET,T/M OIL GALLERY	1	
5	09280-04004-000	O-RING (D:1.2,ID:4)	1	
6	09106-06075-000	BOLT (6X12)	2	
7	09280-05007-000	O-RING (D:1.2,ID:4.7)	2	
8	11390-06G10-000	JET,PISTON COOLING	2	
9	09168-08016-000	GASKET (8.2X14X1)	4	
10	01550-0812A-000	BOLT	4	
11	09168-16002-000	GASKET (16X22X2)	1	
12	09248-16012-000	PLUG (16X8)	1	
13	09168-14002-000	GASKET (13.8X18.8X4.8)	1	
14	09247-14036-000	PLUG (14X20)	1	
15	09103-12141-000	BOLT,ENG MTG	1	
16	09159-12081-000	NUT,ENG MTG	1	
17	09103-10205-000	BOLT (10X225)	1	
18	09103-10226-000	BOLT (10X260)	1	
19	08319-3110A-000	NUT	1	
20	37820-33D10-000	SWITCH ASSY,OIL PRESSURE	1	
21	37822-33D00-000	.BOLT,OIL PRESSURE SWITCH	1	
22	11611-06L00-000	CAP,ENG MTG NUT	1	

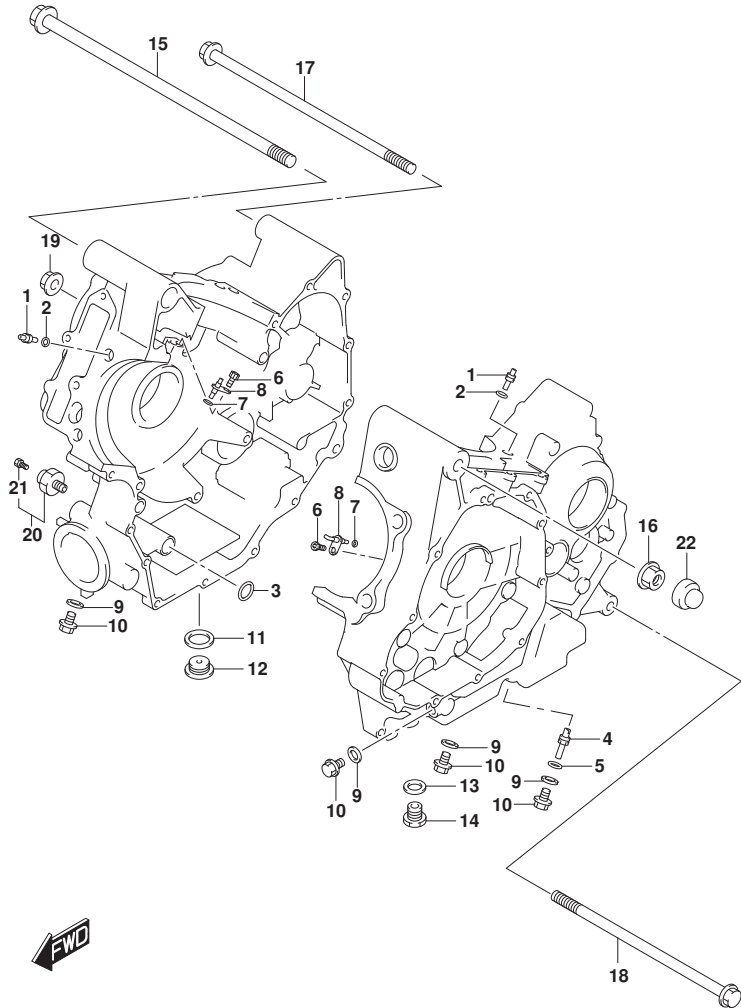


FIG.112A

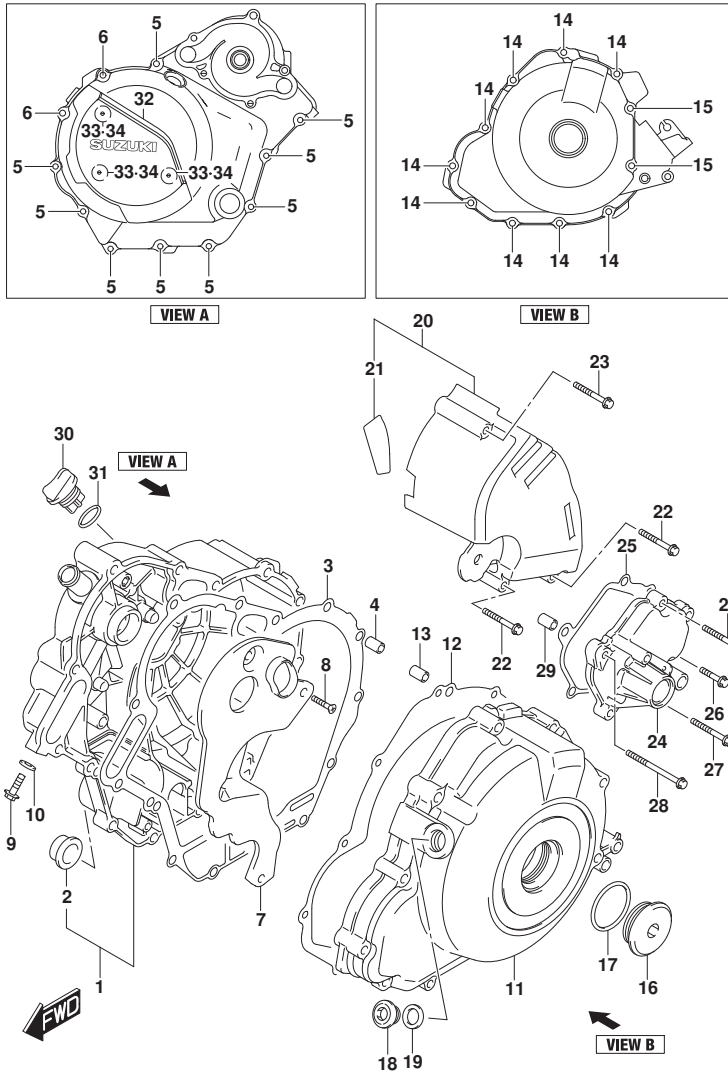


FIG.112A (1-B-10) CRANKCASE COVER

REF NO.	PART NO.	DESCRIPTION	Q'TY	REMARKS
1	11340-06L00-000	COVER,CLUTCH	1	
2	11971-33210-000	.LENS,OIL LEVEL CHECK	1	
3	11482-06G10-000	GASKET,CLUTCH COVER	1	
4	04211-09149-000	PIN (8.5X18X2.3)	2	
5	09103-06529-000	BOLT,CLUTCH COVER (6X30)	9	
6	09103-06538-000	BOLT,CLUTCH COVER (6X75)	2	
7	11342-06G00-000	SEPARATOR,OIL	1	
8	02112-0612A-000	SCREW	4	
9	01550-0610A-000	BOLT	1	
10	09168-06026-000	GASKET (6.4X11.5X0.84)	1	
11	11351-31J20-000	COVER,MAGNETO	1	
12	11483-02F10-000	GASKET,MAGNETO COVER	1	
13	04211-09149-000	PIN (8.5X18X2.3)	1	
14	09103-06530-000	BOLT,CLUTCH COVER (L:35)	9	
15	09103-06539-000	BOLT,ENG SPROCKET COVER (6X80)	2	
16	09259-36021-000	PLUG (36X10)	1	
17	09280-33004-000	O RING (D:3.1,ID:32.7)	1	
18	09248-14010-000	PLUG (L:12)	1	
19	09168-14002-000	GASKET (13.8X18.8X4.8)	1	
20	11360-31J00-000	COVER,ENG SPROCKET	1	
21	11362-31J00-000	.SHEET,SPROCKET COVER	1	
22	09103-06530-000	BOLT,CLUTCH COVER (L:35)	2	
23	09103-06535-000	BOLT,START IDLE GEAR CAP (6X60)	1	
24	11381-06G00-000	COVER,GEAR SHIFT	1	
25	11485-02F10-000	GASKET,GEAR SHIFT COVER	1	
26	09103-06314-000	BOLT (6X105)	1	
27	01547-0625A-000	BOLT	2	
28	01547-0635A-000	BOLT	2	
29	04211-09149-000	PIN (8.5X18X2.3)	2	
30	11971-25D00-000	PLUG,ENGINE OIL FILLER	1	
31	09280-17003-000	O RING (D:3.1,ID:16.8)	1	
32	11383-06L00-000	PROTECTOR,CLUTCH COVER	1	
33	09139-05098-000	BOLT,CLUTCH COVER PROTECTOR	3	
34	09280-08012-000	O-RING (D:1.9,ID:7.8)	3	

FIG.120A

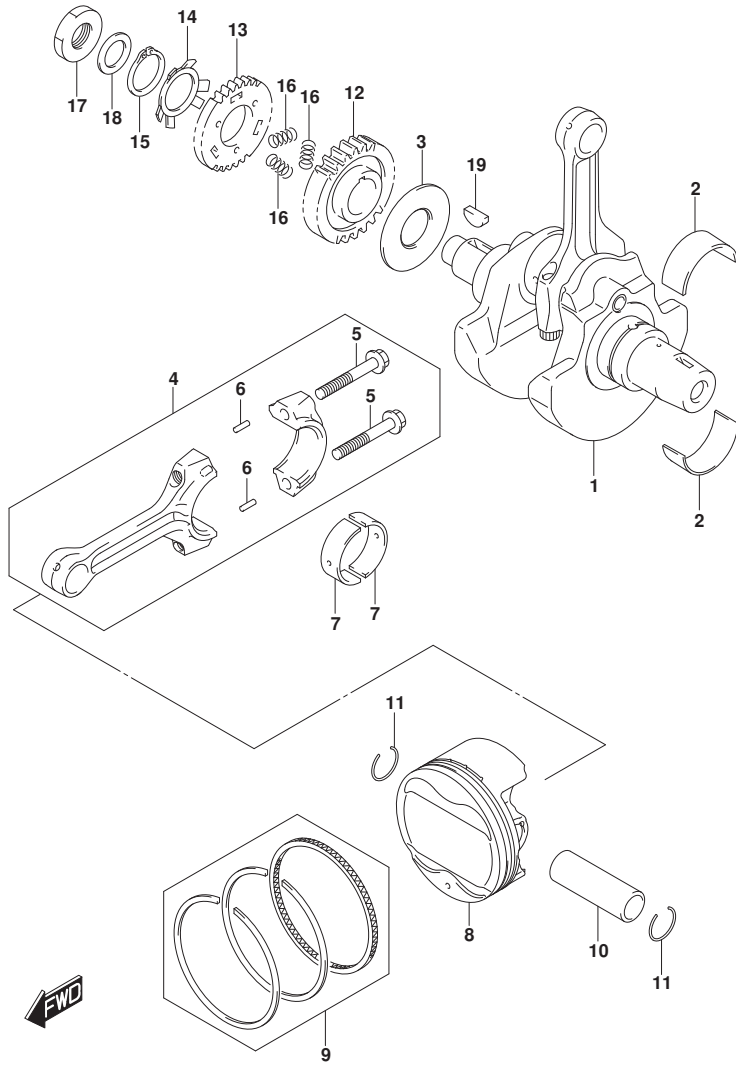


FIG.120A (1-B-11) CRANKSHAFT

REF NO.	PART NO.	DESCRIPTION	Q'TY	REMARKS
1	12220-31J00-000	CRANKSHAFT	1	
2-1	12229-31J00-0A0	BEARING, CRANKSHAFT	2	
2-2	12229-31J00-0B0	BEARING, CRANKSHAFT	2	
2-3	12229-31J00-0C0	BEARING, CRANKSHAFT	2	
2-4	12229-06L00-0A0	BEARING, CRANKSHAFT	2	
2-5	12229-06L00-0B0	BEARING, CRANKSHAFT	2	
2-6	12229-06L00-0C0	BEARING, CRANKSHAFT	2	
3	12652-38B00-000	WASHER, CRANK THRUST	1	
4	12160-06G10-000	CONNECTING ROD ASSY	2	
5	12163-06G00-000	.BOLT, CONNROD	4	
6	12165-27A50-000	.PIN, CONNROD	4	
7-1	12164-31J00-0A0	BEARING, CRANK PIN	4	
7-2	12164-31J00-0B0	BEARING, CRANK PIN	4	
7-3	12164-31J00-0C0	BEARING, CRANK PIN	4	
7-4	12164-31J00-0D0	BEARING, CRANK PIN	4	
8	12111-31J10-0F0	PISTON	2	
9	12140-31J00-000	RING SET, PISTON	2	
10	12151-02F10-000	PIN, PISTON	2	
11	09381-22002-000	CIRCLIP	4	
12	21111-02F11-000	GEAR, PRI DRIVE (NT:31)	1	
13	21112-02F00-000	GEAR, PRI DRIVE SCISSORS (NT:31)	1	
14	21114-02F00-000	WASHER, PRI DRIVE	1	
15	08331-31409-000	CIRCLIP	1	
16	09440-07001-000	SPRING	3	
17	09140-22012-000	NUT	1	
18	09164-22007-000	WASHER (22.2X35X2(3))	1	
19	09420-06001-000	KEY	1	

FIG.122A

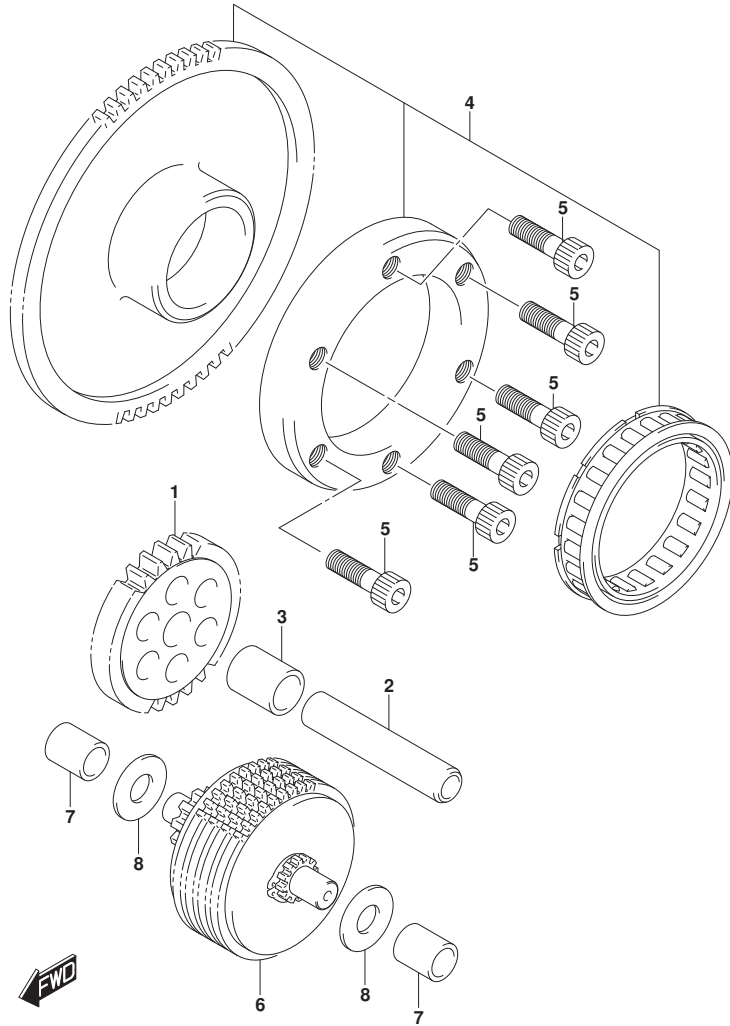


FIG.122A (1-B-12) STARTER CLUTCH

REF NO.	PART NO.	DESCRIPTION	Q'TY	REMARKS
1	12612-06G00-000	GEAR,STARTER IDLE NO.2 (NT:27)	1	
2	09206-12002-000	PIN (7X12X50.5)	1	
3	09180-12140-000	SPACER (12.5X19X17.5)	1	
4	12600-06811-000	CLUTCH SET,STARTER (NT:72)	1	
5	09106-08106-000	BOLT (8X20)	6	
6	12600-06G01-000	LIMITER ASSY,START ID GR NO.1 (NT:44)	1	
7	12618-31G00-000	BUSH,LIMITER GEAR SHAFT	2	
8	09181-10195-000	SHIM (10X20X1)	2	

FIG.126A

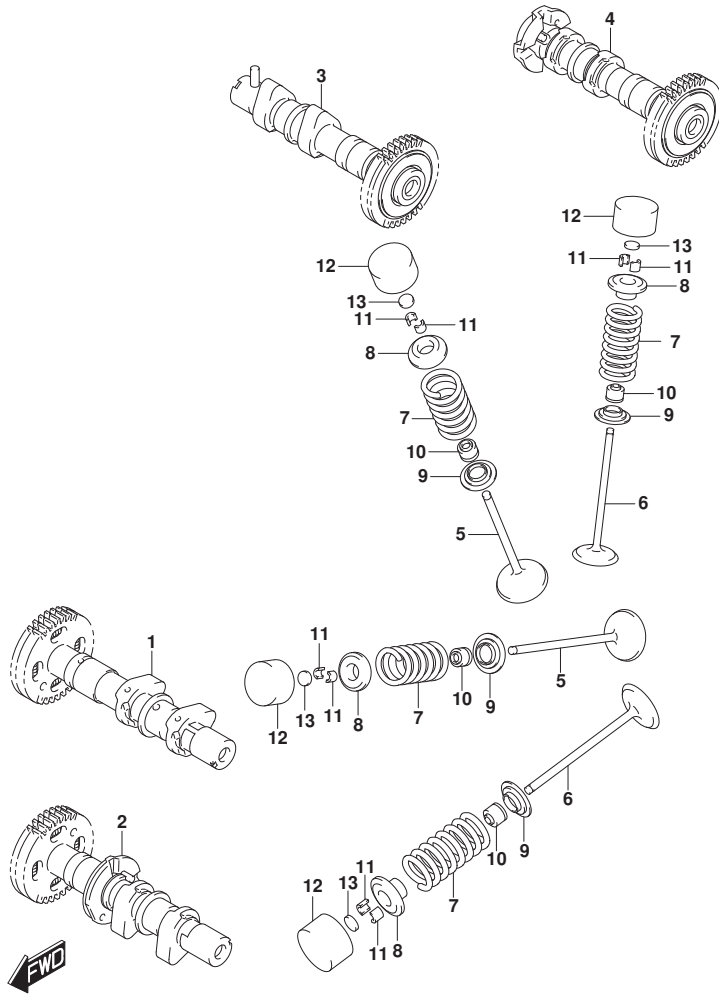


FIG.126A (1-B-13) CAMSHAFT/VALVE

REF NO.	PART NO.	DESCRIPTION	Q'TY	REMARKS
1	12701-06L00-000	CAMSHAFT ASSY,INTAKE FRONT	1	
2	12702-06L00-000	CAMSHAFT ASSY,EXHAUST FRONT	1	
3	12703-06L00-000	CAMSHAFT ASSY,INTAKE REAR	1	
4	12704-06L00-000	CAMSHAFT ASSY,EXHAUST REAR	1	
5	12911-16G00-000	VALVE,INTAKE	4	
6	12912-49XB0-000	VALVE,EXHAUST	4	
7	12921-06G00-000	SPRING,VALVE	8	
8	12931-06G00-000	RETAINER,VALVE SPRING	8	
9	12933-06G00-000	SEAT,VALVE SPRING	8	
10	09289-05015-000	OIL SEAL (5.5X11X8.2)	8	
11	12932-24400-000	COTTER,VALVE	16	
12	12891-02F10-000	TAPPET	8	
13-1	12892-41C00-230	SHIM,TAPPET (T:2.30)	8	
13-2	12892-41C00-235	SHIM,TAPPET (T:2.35)	8	
13-3	12892-41C00-240	SHIM,TAPPET (T:2.40)	8	
13-4	12892-41C00-245	SHIM,TAPPET (T:2.45)	8	
13-5	12892-41C00-250	SHIM,TAPPET (T:2.50)	8	
13-6	12892-41C00-255	SHIM,TAPPET (T:2.55)	8	
13-7	12892-41C00-260	SHIM,TAPPET (T:2.60)	8	
13-8	12892-41C00-265	SHIM,TAPPET (T:2.65)	8	
13-9	12892-41C00-270	SHIM,TAPPET (T:2.70)	8	
13-10	12892-41C00-275	SHIM,TAPPET (T:2.75)	8	
13-11	12892-41C00-280	SHIM,TAPPET (T:2.80)	8	
13-12	12892-41C00-285	SHIM,TAPPET (T:2.85)	8	
13-13	12892-41C00-290	SHIM,TAPPET (T:2.90)	8	
13-14	12892-41C00-295	SHIM,TAPPET (T:2.95)	8	
13-15	12892-41C00-300	SHIM,TAPPET (T:3.00)	8	
13-16	12892-41C00-305	SHIM,TAPPET (T:3.05)	8	
13-17	12892-41C00-310	SHIM,TAPPET (T:3.10)	8	
13-18	12892-41C00-315	SHIM,TAPPET (T:3.15)	8	
13-19	12892-41C00-320	SHIM,TAPPET (T:3.20)	8	
13-20	12892-41C00-325	SHIM,TAPPET (T:3.25)	8	
13-21	12892-41C00-330	SHIM,TAPPET (T:3.30)	8	
13-22	12892-41C00-335	SHIM,TAPPET (T:3.35)	8	
13-23	12892-41C00-340	SHIM,TAPPET (T:3.40)	8	

FIG.126A

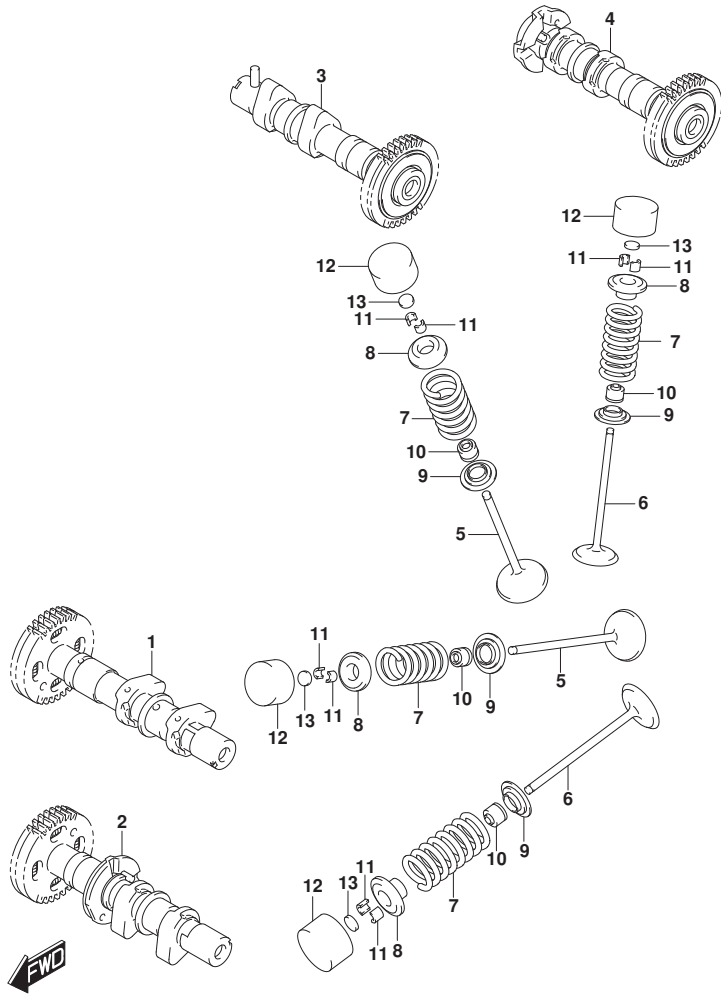


FIG.126A (1-B-14) CAMSHAFT/VALVE

REF NO.	PART NO.	DESCRIPTION	Q'TY	REMARKS
13-24	12892-41C00-345	SHIM,TAPPET (T:3.45)	8	
13-25	12892-41C00-350	SHIM,TAPPET (T:3.50)	8	
14	12800-41810-000	SHIM SET,TAPPET (5PCS.EACH)	1	OPT,NOT ILLUSTRATED
15	99000-69471-000	.CASE,TAPPET SHIM	1	OPT,NOT ILLUSTRATED

FIG.127A

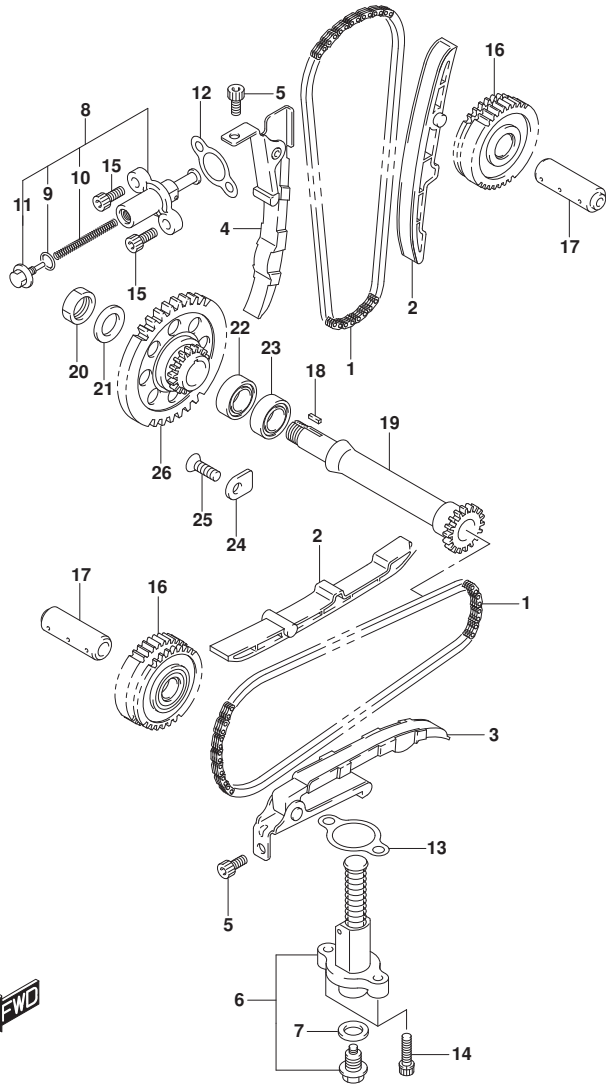


FIG.127A (1-B-15) CAM CHAIN

REF NO.	PART NO.	DESCRIPTION	Q'TY	REMARKS
1	12760-23F20-000	CHAIN,CAMSHAFT DRIVE	2	
2	12771-06G00-000	GUIDE,CAM CHAIN	2	
3	12810-06G00-000	TENSIONER,CAM CHAIN FR	1	
4	12815-06G00-000	TENSIONER,CAM CHAIN,REAR	1	
5	07120-0612A-000	BOLT	2	
6	12832-06L00-000	ADJUSTER ASSY,TENSIONER FRONT	1	
7	09168-12018-000	.GASKET (12X21X2)	1	
8	12830-30A01-000	ADJUSTER ASSY,TENSIONER	1	
9	12832-02A00-000	.O RING	1	
10	12833-30A01-000	.SPRING	1	
11	12834-02A00-000	.PLUG,ADJUSTER	1	
12	12837-19B10-000	GASKET,TENSIONER ADJUSTER	1	
13	12837-24A10-000	GASKET,TENSIONER ADJUSTER	1	
14	07130-0625A-000	BOLT	2	
15	07130-0620B-000	BOLT	2	
16	12750-31J10-000	GEAR,CAM CHAIN IDLER NO.2 (NT: 31/41)	2	
17	12755-31J00-000	SHAFT,IDLER NO.2	2	
18	09421-04004-000	KEY	1	
19	12716-06G00-000	SHAFT,IDLER	1	
20	09140-16001-000	NUT	1	
21	09181-16212-000	SHIM (16X26X1.5)	1	
22	08112-6303A-000	BEARING	1	
23	09262-25006-000	BEARING (25X47X8)	1	
24	24741-20A00-000	RETAINER,COUNTER BEARING RH	1	
25	09126-06011-000	SCREW (6X12)	1	
26	12731-06G01-000	SPROCKET,IDLER NO.1 (NT:36)	1	

FIG.140A

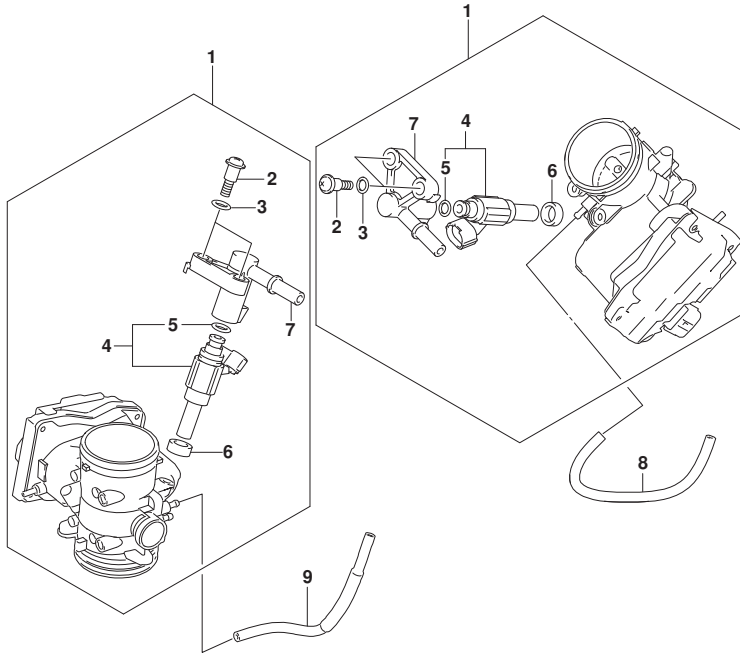


FIG.140A (1-B-16) THROTTLE BODY

REF NO.	PART NO.	DESCRIPTION	QTY	REMARKS
1	13400-06L00-000	BODY ASSY,THROTTLE	2	
2	13601-11J00-000	.SCREW,DELIVERY PIPE	4	
3	13602-29G01-000	.PACKING	4	
4	15710-31J00-000	.INJECTOR ASSY	2	
5	15717-58B00-000	.O-RING	2	
6	15722-14J00-000	.SEAL	2	
7	13471-06L00-000	.DELIVERY PIPE	2	
8	13683-06L00-000	HOSE,VACUUM	1	
9	13683-06L10-000	HOSE,VACUUM	1	



FIG.155A

FIG.155A (1-C-2) AIR CLEANER

REF NO.	PART NO.	DESCRIPTION	Q'TY	REMARKS
1	13700-06L01-000	CLEANER ASSY,AIR	1	
2	13881-06L00-000	.TUBE,OUTLET FR	1	
3	13741-31J00-000	.CAP, AIR CLEANER	1	
4	13891-31J00-000	.TUBE,INLET	1	
5	13780-31J00-000	.FILTER,AIR CLEANER	1	
6	13746-06L00-000	.GASKET,AIR CLEANER A	1	
7	13746-06L10-000	.GASKET,AIR CLEANER B	1	
8	13827-06L00-000	.CLAMP,OUTLET TUBE	2	
9	03541-0520A-000	.SCREW	6	
10	13878-10G01-000	.PLUG	1	
11	09401-14301-000	.CLIP	1	
12	13882-06L00-000	.TUBE,OUTLET RR	1	
13	13788-06L00-000	.FILTER,BRETHER	1	
14	18590-18K00-000	SENSOR,AIR PRESSURE	2	
15	03541-0520A-000	SCREW	2	
16	13650-41F10-000	SENSOR,AIR TEMP	1	
17	13655-41F10-000	.O RING	1	
18	03511-0516A-000	SCREW	1	
19	13738-31J00-000	SHEET,AIR CLEANER INLET	1	
20	13850-31J00-000	TUBE,BREATHER	1	
21	09401-22405-000	CLIP	2	

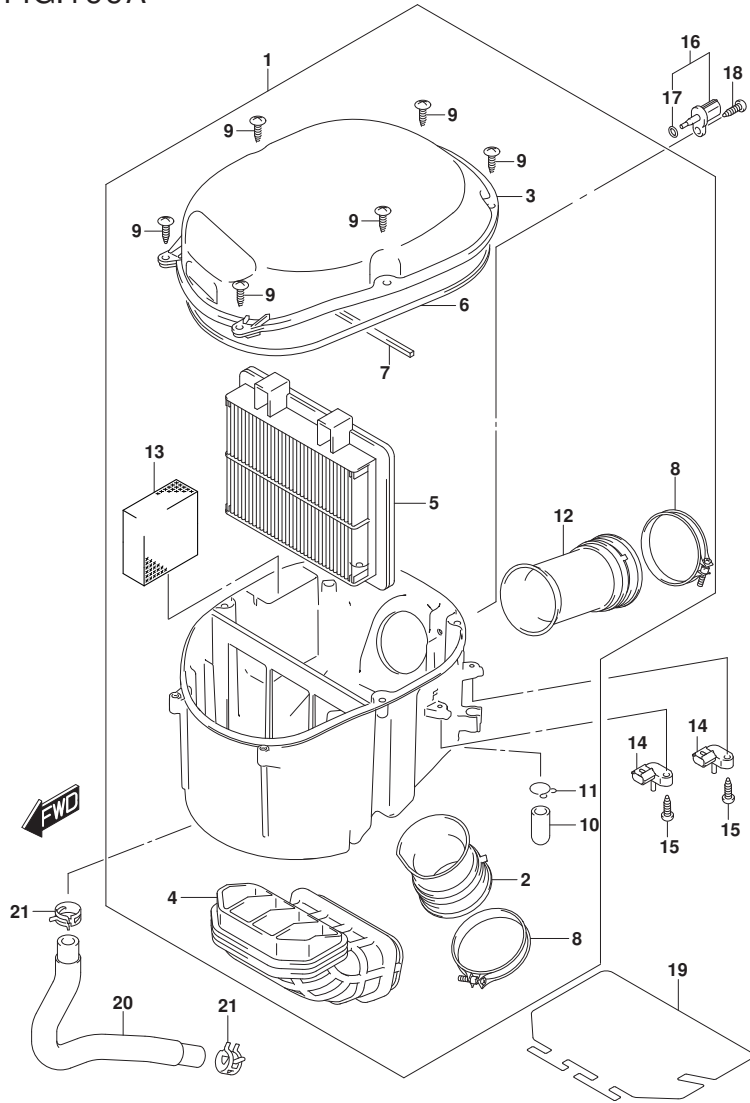


FIG.163A

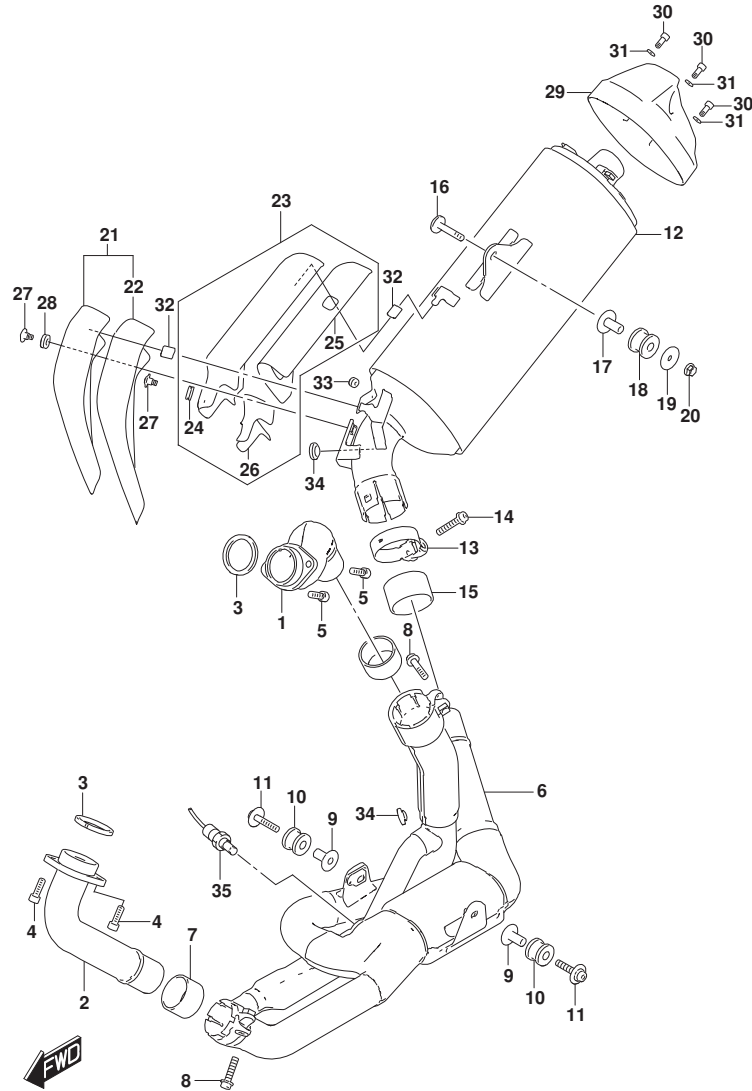


FIG.163A (1-C-3) MUFFLER

REF NO.	PART NO.	DESCRIPTION	Q'TY	REMARKS
1	14150-06L00-000	PIPE,EXH RR	1	
2	14160-06L00-000	PIPE,EXH FR	1	
3	14181-31D00-000	GASKET,EXH PIPE	2	
4	09106-08178-000	BOLT (8X25)	2	
5	07130-0825A-000	BOLT	2	
6	14205-06L00-000	PIPE,EXH CTR	1	
7	14771-42F50-000	CONNECTOR,JT	2	
8	09106-08197-000	BOLT (8X35)	2	
9	09180-08152-000	SPACER (8.6X12X24.2)	2	
10	09320-12077-000	CUSHION (12X30X24)	2	
11	09116-08176-000	BOLT,EXH CTR SPRT	2	
12	14310-06L00-H01	BODY,MUFFLER (BLACK,MAROON,SILVER)	1	
13	14459-31J10-000	CLAMP,MUF CONN	1	
14	09106-08162-000	BOLT (8X40)	1	
15	14771-18H00-000	CONNECTOR,MUF	1	
16	09106-08195-000	BOLT (8X45)	1	
17	09180-08156-000	SPACER (8.6X12X25.5)	1	
18	09320-12049-000	CUSHION	1	
19	09160-08162-000	WASHER (8.5X33X1.6)	1	
20	08316-1008B-000	NUT	1	
21	14760-06L00-000	COVER,MUF FR	1	
22	14762-06L00-000	.SHIELD,MUF COV FR HEAT NO.1	1	
23	14780-06L00-000	COVER,MUF	1	
24	09320-08066-000	.CUSHION (8.4X18X6)	1	
25	14784-06L00-000	.SHIELD,MUF COV HEAT	1	
26	14785-06L00-000	.SHIELD,MUF COV HEAT NO.2	1	
27	09139-06128-000	SCREW (6X12)	2	
28	09320-08066-000	CUSHION (8.4X18X6)	1	
29	14791-06L00-000	COVER,MUF RR	1	
30	09106-06078-000	BOLT (6X15)	3	
31	09160-06055-000	WASHER (7X12X1.0)	3	
32	14795-10FA0-000	GROMMET	2	
33	09320-04013-000	BUSH (4X12X8)	1	
34	09321-10018-000	CUSHION	2	

FIG.163A

FIG.163A (1-C-4) MUFFLER

REF NO.	PART NO.	DESCRIPTION	Q'TY	REMARKS
35	18213-04K00-000	SENSOR,OXYGEN	1	

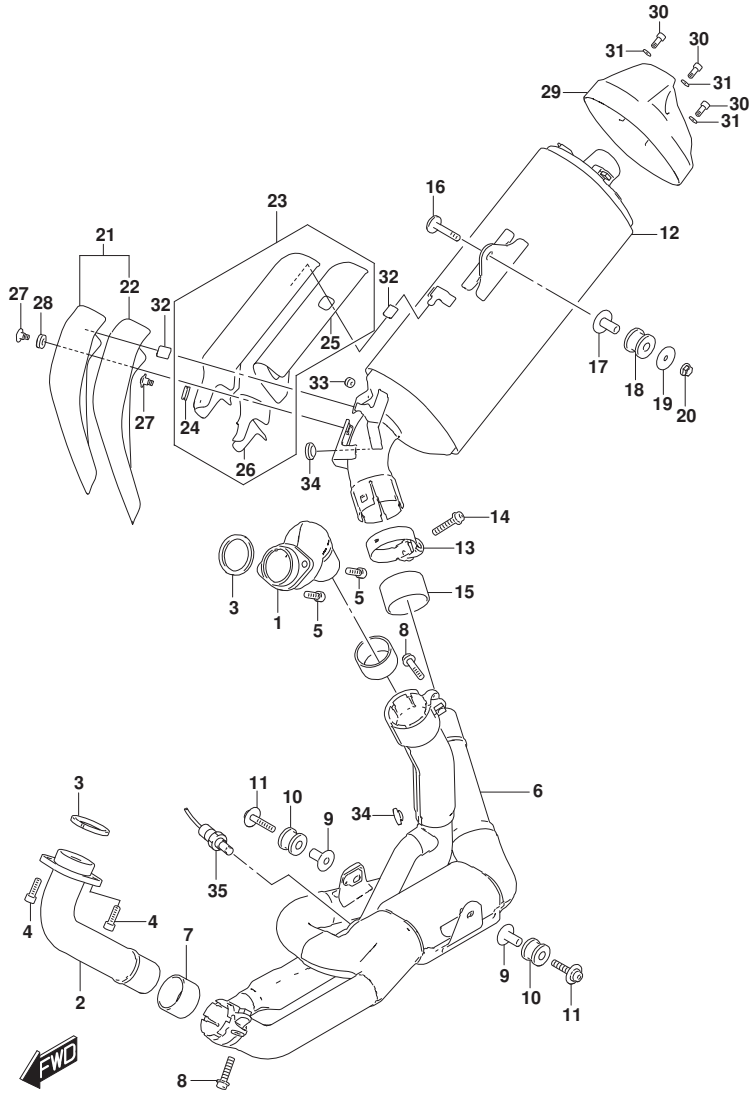


FIG.170A

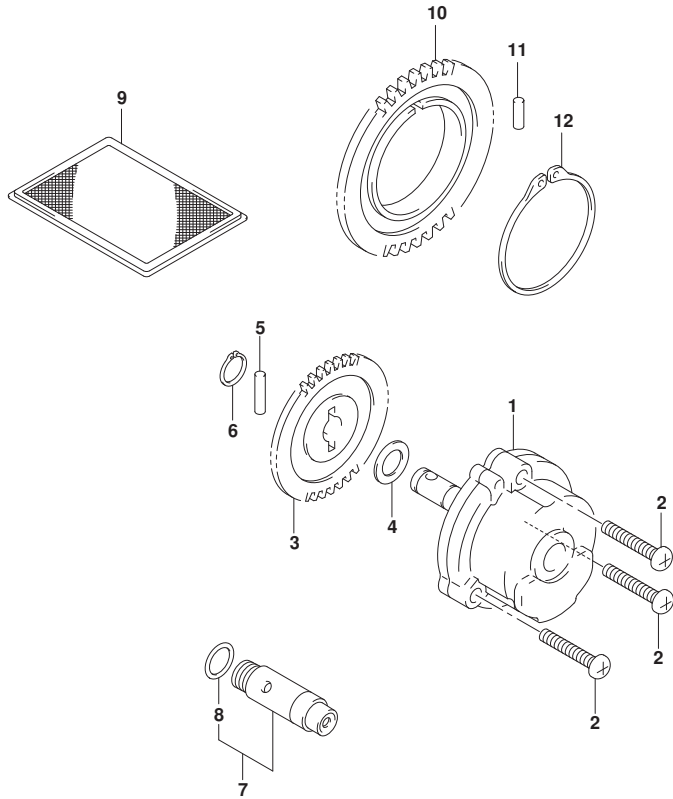


FIG.170A (1-C-5) OIL PUMP

REF NO.	PART NO.	DESCRIPTION	Q'TY	REMARKS
1	16400-02FB0-000	PUMP ASSY,ENG OIL	1	
2	07130-0625A-000	BOLT	3	
3	16331-02F00-000	GEAR,OIL PUMP DRIVEN (NT:29)	1	
4	09181-10158-000	SHIM (10X18X0.5)	1	
5	09261-04009-000	PIN (4X15.8)	1	
6	08331-31109-000	CIRCLIP	1	
7	16440-24F00-000	VALVE ASSY,OIL RELIEF 7K (7K)	1	
8	09280-13004-000	O-RING (D:1.9,ID:13)	1	
9	16520-32E01-000	STRAINER,ENG OIL	1	
10	16321-02F00-000	GEAR,ENG OIL PUMP DRIVE (NT:41)	1	
11	09261-06002-000	PIN (OD:6,L:6)	1	
12	08331-31509-000	CIRCLIP	1	



FIG.172A

FIG.172A (1-C-6) FUEL PUMP

REF NO.	PART NO.	DESCRIPTION	Q'TY	REMARKS
1	15100-28K00-000	PUMP ASSY,FUEL	1	
2	15113-05H00-000	.O RING	1	
3	15113-17K00-000	.O-RING	1	
4	15113-35F00-000	.O RING	1	
5	15114-17K00-000	.WIRE,EARTH	1	
6	15115-17K00-000	.WIRE,LEAD	1	
7	15116-17K00-000	.COLLAR	1	
8	15310-17K00-000	.FILTER	1	
9	15420-17K00-000	.STRAINER	1	
10	15610-17K00-000	.REGULATOR	1	
11	15113-48H00-000	..O-RING	1	
12	15201-07L00-000	O-RING,FUEL PUMP	1	
13	15122-17K00-000	PLATE,FUEL PUMP INNER	1	
14	15121-28K00-000	PLATE,FUEL PUMP OUTER	1	
15	07120-0616A-000	BOLT	5	
16	15810-06L00-000	HOSE,FUEL	1	
17	34810-06L00-000	GAUGE ASSY,FUEL LEVEL SENDER	1	
18	34815-06L00-000	ATTACHMENT,FUEL LEVEL GAUGE	1	

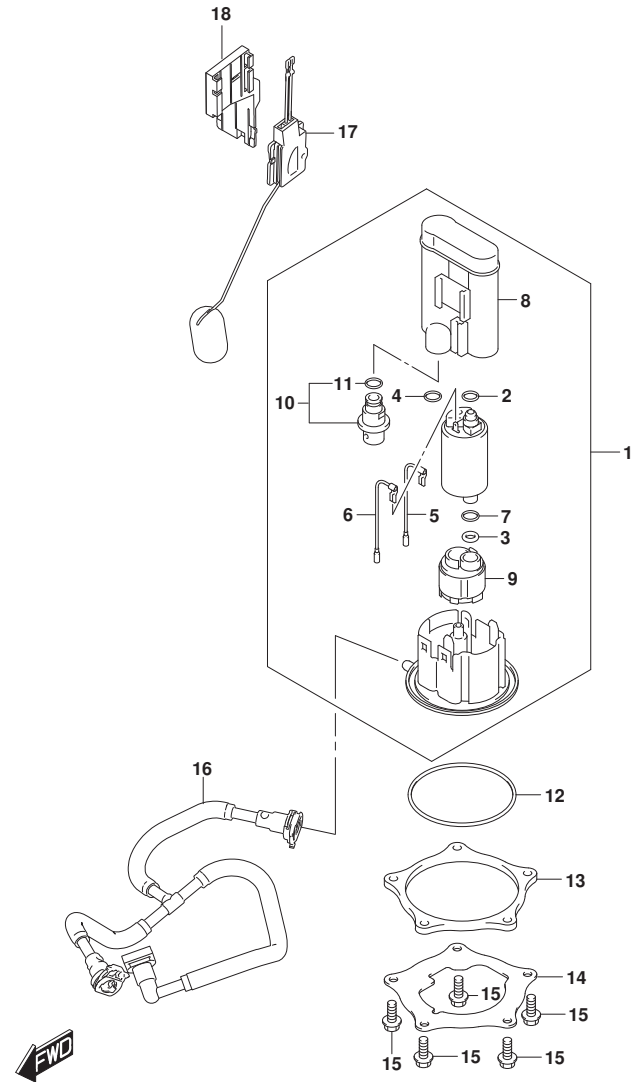


FIG.178A

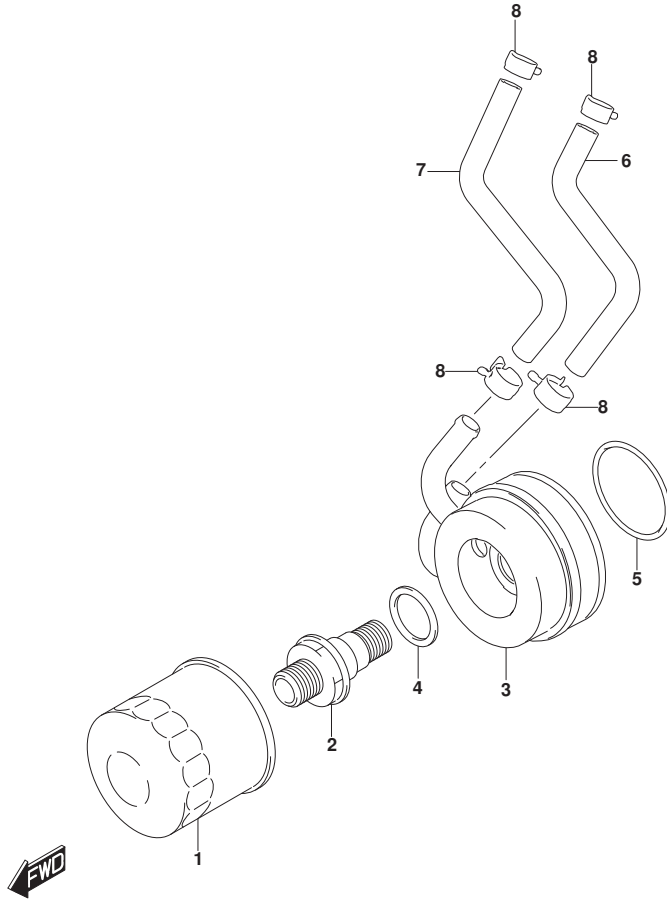


FIG.178A (1-C-7) OIL COOLER

REF NO.	PART NO.	DESCRIPTION	Q'TY	REMARKS
1	16510-07J00-000	FILTER ASSY,ENGINE OIL (P1.0)	1	
2	16591-06L00-000	BOLT,OIL COOLER UNION	1	
3	16600-06L00-000	COOLER ASSY,OIL	1	
4	09181-21002-000	SHIM (21X31X0.8)	1	
5	09280-60005-000	O RING (D:2.4,ID:60.5)	1	
6	16461-06L00-000	HOSE,OIL COOLER WATER INLET	1	
7	16471-06L00-000	HOSE,OIL COOLER WATER OUTLET	1	
8	09401-16407-000	CLIP (ID:16.5)	4	

FIG.180A

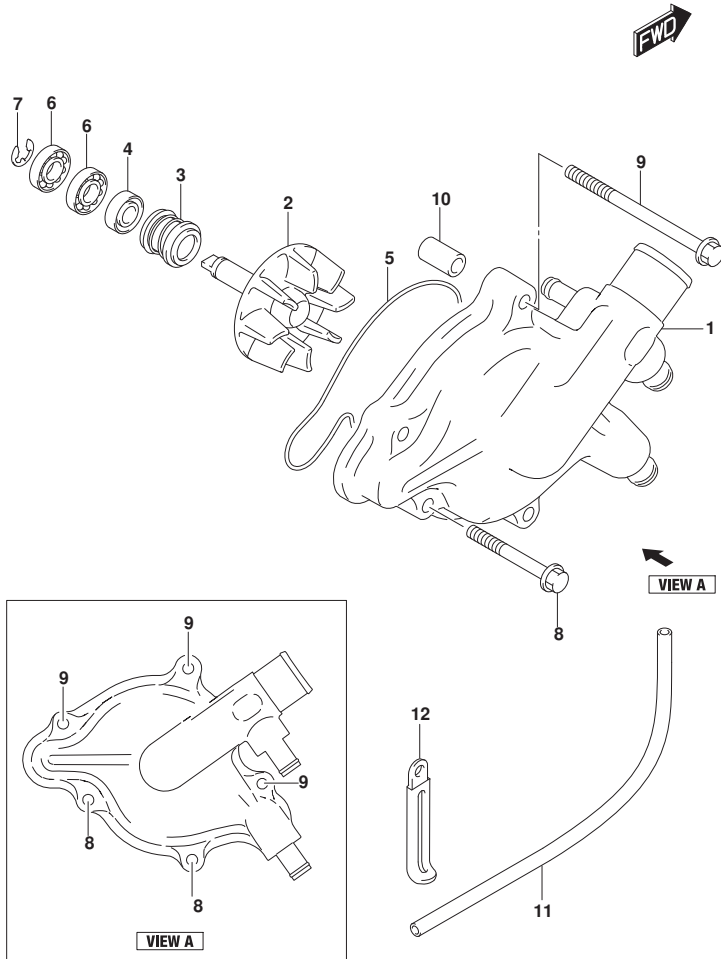


FIG.180A (1-C-8) WATER PUMP

REF NO.	PART NO.	DESCRIPTION	Q'TY	REMARKS
1	17410-06L00-000	CASE,WATER PUMP	1	
2	17491-16G00-000	IMPELLER,WATER PUMP	1	
3	17470-02F11-000	SEAL,WATER PUMP SHAFT MECH	1	
4	09283-10005-000	OIL SEAL (10X20X5)	1	
5	17435-02F00-000	O RING,WATER PUMP CASE	1	
6	09262-10016-000	BEARING (10X22X5)	2	
7	08332-1108A-000	E RING	1	
8	09103-06529-000	BOLT,CLUTCH COVER (6X30)	2	
9	09103-06536-000	BOLT,MAGNETO COVER (6X65)	3	
10	04211-09149-000	PIN (8.5X18X2.3)	1	
11	09352-42704-140	HOSE	1	
12	09404-06429-000	CLAMP (L:45)	1	

FIG.185A

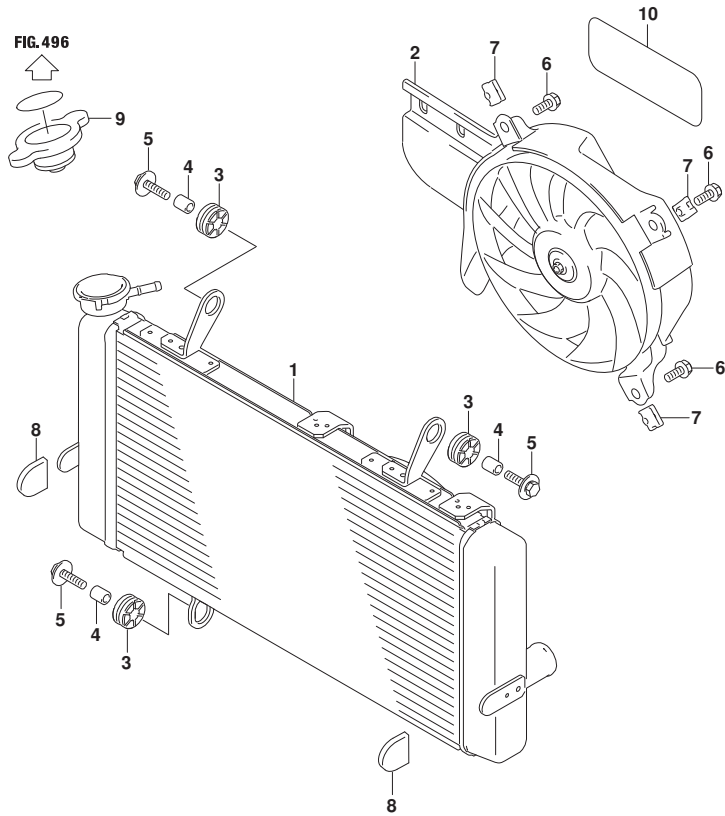


FIG.185A (1-C-9) RADIATOR

REF NO.	PART NO.	DESCRIPTION	Q'TY	REMARKS
1	17710-06L00-000	RADIATOR,WATER	1	
2	17800-06L00-000	FAN ASSY,RADIATOR	1	
3	09320-10051-000	CUSHION	3	
4	09180-06290-000	SPACER (6.5X10X12)	3	
5	09118-06097-000	BOLT (6X25)	3	
6	17711-07L00-000	BOLT,RADIATOR FAN	3	
7	17802-14F00-000	NUT,RADIATOR FAN	3	
8	09329-18001-000	CUSHION	2	
9	17730-08D10-000	CAP,RADIATOR (1.1)	1	
10	63131-10F00-000	TAPE,REAR FENDER (30X75X0.2)	1	



FIG.187A

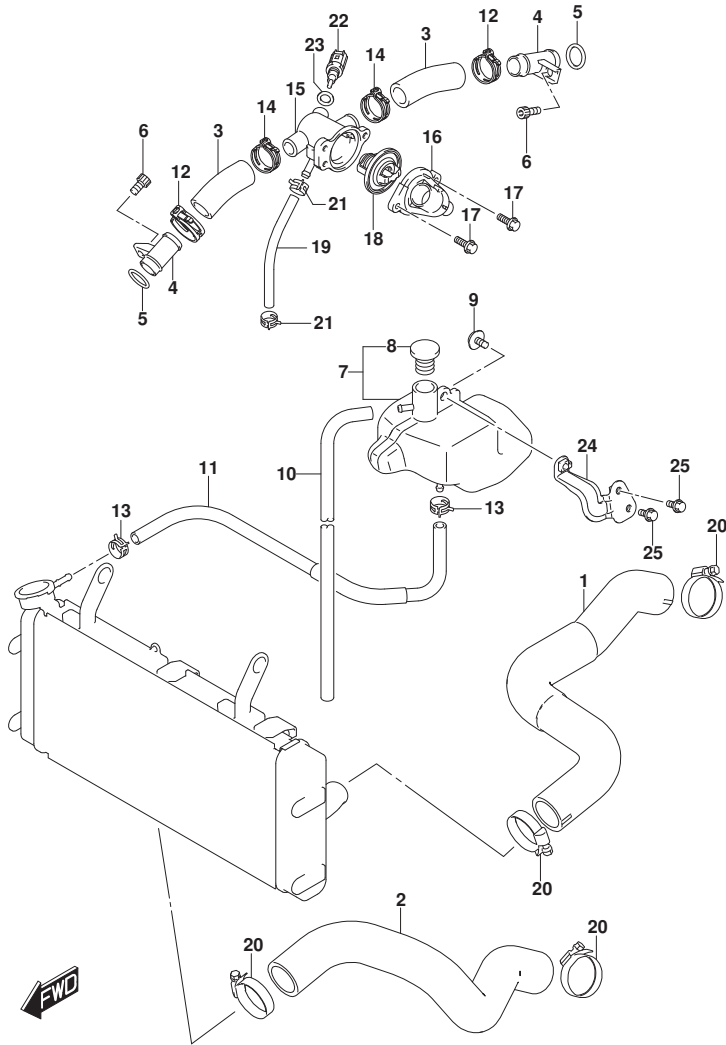


FIG.187A (1-C-10) RADIATOR HOSE

REF NO.	PART NO.	DESCRIPTION	Q'TY	REMARKS
1	17851-06L00-000	HOSE,RADIATOR INLET	1	
2	17852-06L00-000	HOSE,RADIATOR OUTLET	1	
3	17853-02F10-000	HOSE,CONNECTOR INLET	2	
4	17890-06G20-000	UNION,CONNECTOR HOSE	2	
5	09280-18008-000	O RING (D:3.2,ID:17.8)	2	
6	07130-0612A-000	BOLT	2	
7	17910-31J00-000	TANK ASSY,RESERVOIR	1	
8	17931-31J00-000	.CAP,WATER RESERVOIR TANK	1	
9	09111-06085-000	BOLT (6X12)	1	
10	17982-31J00-000	HOSE,RSVR TANK OVFL	1	
11	17900-27810-000	HOSE SET,RSVR TANK INLET	1	
12	09401-24002-000	CLAMP	2	
13	09401-08411-000	CLIP (ID:8.6)	2	
14	09401-25001-000	CLAMP	2	
15	17662-02F11-000	CONNECTOR,THERMOSTAT,INLET	1	
16	17663-42E00-000	CAP,THERMOSTAT CONNECTOR	1	
17	01550-0616A-000	BOLT	2	
18	17670-06G51-000	THERMOSTAT,WATER	1	
19	17856-16G10-000	HOSE,WATER BYPASS	1	
20	09401-29001-000	CLAMP	4	
21	09401-12414-000	CLAMP	2	
22	13650-49X00-000	SENSOR,TEMP	1	
23	09168-12017-000	GASKET (12X17X1)	1	
24	17920-31J00-000	BRACKET,RSVR TANK	1	
25	01550-0610A-000	BOLT	2	

FIG.189A

FIG.189A (1-C-11) 2ND AIR

REF NO.	PART NO.	DESCRIPTION	Q'TY	REMARKS
1	18450-28K00-000	VALVE ASSY,2ND AIR REED	2	
2	18461-06L00-000	HOSE,2ND AIR VALVE FR	1	
3	18471-06L00-000	HOSE,2ND AIR VALVE RR	1	
4	18510-29G31-000	VALVE ASSY,AIR CUT	1	
5	18531-06G01-000	COVER,2ND AIR	2	
6	18711-06L00-000	HOSE,2ND AIR CLNR	1	
7	09401-18101-000	CLIP	3	
8	09401-15101-000	CLIP (ID:15.5)	2	
9	09401-17201-000	CLIP	1	
10	01547-0620A-000	BOLT	4	

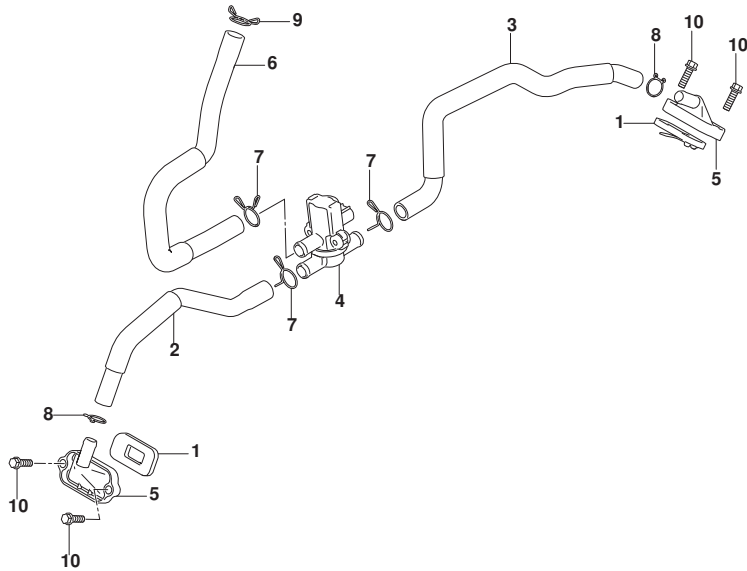


FIG.201A

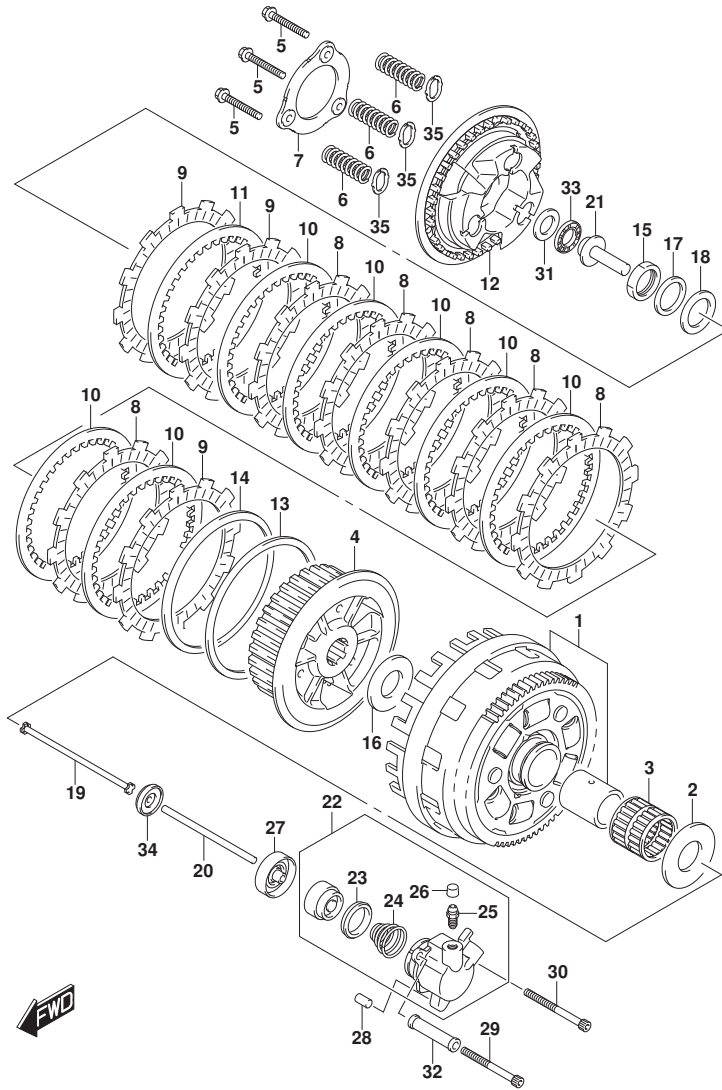


FIG.201A (1-C-12) CLUTCH

REF NO.	PART NO.	DESCRIPTION	Q'TY	REMARKS
1	21200-31Y20-000	GEAR ASSY, PRIMARY DRIVEN	1	
2	09160-25074-000	WASHER (25X52X2.5)	1	
3	09263-35013-000	BEARING (35X40X39.8)	1	
4	21411-31J10-000	HUB,CLUTCH SLEEVE	1	
5	21412-31J00-000	BOLT,CLUTCH SPRING	3	
6	21413-31J00-000	SPRING,CLUTCH	3	
7	21414-31J00-000	PLATE,STOPPER	1	
8	21441-31J00-000	PLATE,CLUTCH DRIVE NO.1 (T:3.8	6	
9	21442-31J00-000	PLATE,CLUTCH DRIVE NO.2 (T:3.8	3	
10	21451-24F00-000	PLATE,CLUTCH DRIVEN (T:2.0)	5	
11	21452-31J00-000	PLATE,CLUTCH DRIVEN NO.2 (T:2.0)	1	
12	21462-31J10-000	DISC,CLUTCH PRESSURE	1	
13	21471-24F00-000	SEAT,WAVE WASHER	1	
14	21472-24F00-000	WASHER,CLUTCH PLATE WAVE	1	
15	09159-24010-000	NUT	1	
16	09160-25056-000	WASHER (25X50X2.5)	1	
17	09164-24008-000	WASHER (24.2X35X2.7)	1	
18	09181-25223-000	SHIM (25X38X1)	1	
19	23110-27A00-000	ROD,CLUTCH (L:161)	1	
20	23111-26D00-000	ROD,CLUTCH PUSH LH (L:132.5)	1	
21	23121-31E00-000	PIECE,CLUTCH PUSH	1	
22	23160-06G20-000	CYLINDER,CLUTCH RELEASE	1	
23	23163-06B00-000	.CUP	1	
24	23164-05A00-000	.SPRING	1	
25	59121-01A00-000	.BLEEDER	1	
26	59122-46H00-000	.CAP,BLEEDER	1	
27	23166-06G10-000	COVER,DUST	1	
28	04221-08149-000	PIN	1	
29	07130-0665B-000	BOLT	1	
30	07130-0670B-000	BOLT	1	
31	09160-15045-000	WASHER (15.5X28X1)	1	
32	23171-06G00-000	SPACER,CL RLSE CYL	1	

FIG.201A

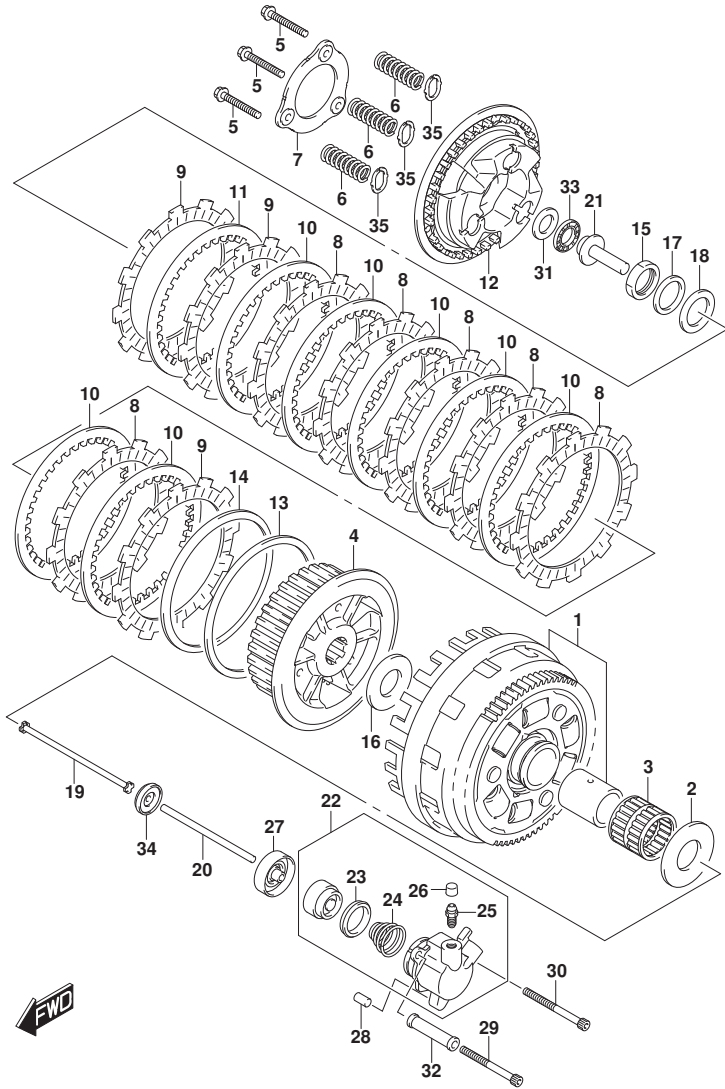


FIG.201A (1-C-13) CLUTCH

REF NO.	PART NO.	DESCRIPTION	Q'TY	REMARKS
33	09263-15003-000	BEARING (15X28X2)	1	
34	09283-06008-000	OIL SEAL (6X34X10.5)	1	
35	21415-31J00-000	SEAT,CLUTCH SPRING	3	

FIG.206A

FIG.206A (1-C-14) TRANSMISSION

REF NO.	PART NO.	DESCRIPTION	Q'TY	REMARKS
1	24120-06G00-000	SHAFT,COUNTER (NT:12)	1	
2	24221-02F01-000	GEAR,2ND DRIVE (NT:15)	1	
3	24231-02F30-000	GEAR,3RD & 4TH DRIVE (NT:18/22	1	
)		
4	24251-02F11-000	GEAR,5TH DRIVE (NT:23)	1	
5	24252-02F10-000	BUSH,5TH DRIVE GEAR	1	
6	24261-02F20-000	GEAR,6TH DRIVE (NT:24)	1	
7	24262-02F00-000	BUSH,6TH DRIVE GEAR	1	
8	09181-22167-000	SHIM (22X30X1.0)	1	
9	09262-20139-000	BEARING (20X47X14)	1	
10	09262-25073-000	BEARING (25X62X17)	1	
11	09280-17004-000	O RING (D:1.9,ID:16.6)	1	
12	09380-27001-000	CIRCLIP	1	
13	24130-02F30-000	SHAFT,DRIVE	1	
14	24311-06G00-000	GEAR,1ST DRIVEN (NT:36)	1	
15	09263-22068-000	BEARING (22X26X11)	1	
16	24321-02F11-000	GEAR,2ND DRIVEN (NT:29)	1	
17	24322-02F01-000	BUSH,2ND DRIVEN GEAR	1	
18	24331-02F20-000	GEAR,3RD DRIVEN (NT:27)	1	
19	24332-17E20-000	BUSH,3RD DRIVEN GEAR	1	
20	24341-02F30-000	GEAR,4TH DRIVEN	1	
21	24332-17E20-000	BUSH,3RD DRIVEN GEAR	1	
22	24351-02F20-000	GEAR,5TH DRIVEN (NT:25)	1	
23	24361-02F30-000	GEAR,6TH DRIVEN (NT:24)	1	
24	09160-27008-000	WASHER (27X36X1.0)	1	
25	24333-02F00-000	WASHER,3RD & 4TH DRIVEN	1	
26	24333-02F00-000	WASHER,3RD & 4TH DRIVEN	1	
27	24333-02F10-000	WASHER,3RD & 4TH DRIVEN GEAR	1	
28	09181-20251-000	SHIM (20X34X1)	1	
29	09181-22223-000	SHIM (22X34X1)	1	
30	09262-20082-000	BEARING (20X52X15)	1	
31	09262-28053-000	BEARING (28X68X18)	1	
32	09283-38028-000	OIL SEAL (38X52X8)	1	
33	09380-27001-000	CIRCLIP	1	
34	09380-27001-000	CIRCLIP	1	

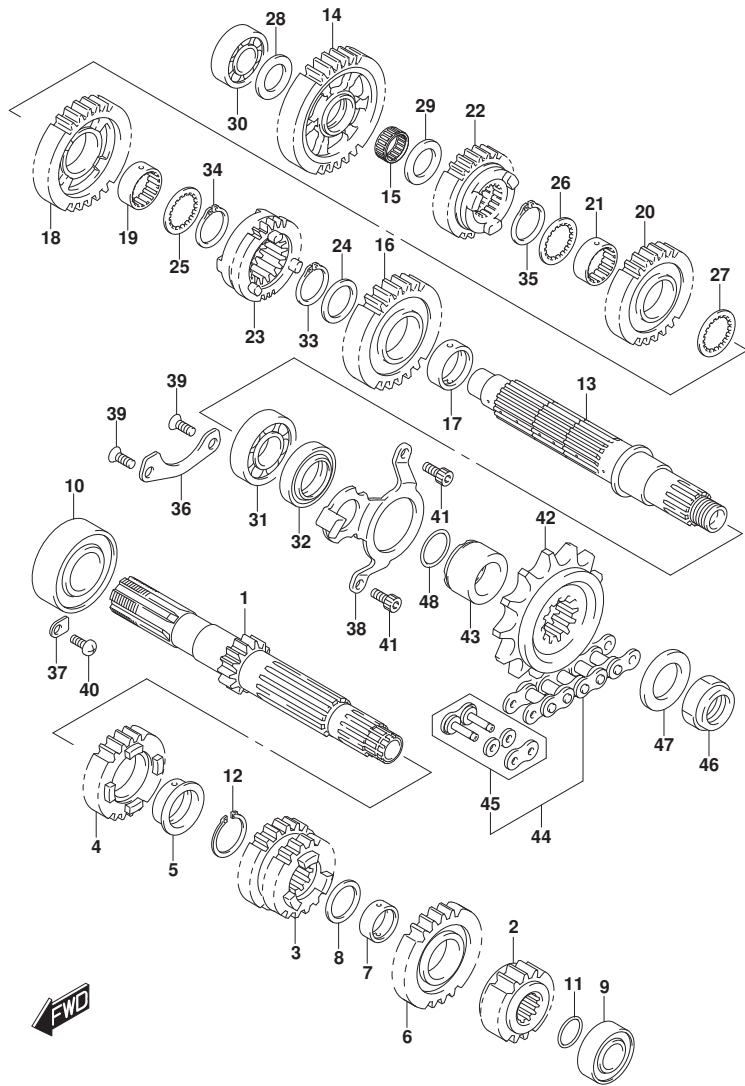


FIG.206A

FIG.206A (1-C-15) TRANSMISSION

REF NO.	PART NO.	DESCRIPTION	Q'TY	REMARKS
35	09380-27001-000	CIRCLIP	1	
36	24741-06G00-000	RETAINER,DRIVE SHAFT BRG	1	
37	24741-21A00-000	RETAINER	1	
38	24751-06G00-000	RETAINER,DRIVE SHAFT OIL SEAL	1	
39	09126-06011-000	SCREW (6X12)	2	
40	02112-0612A-000	SCREW	1	
41	07130-0612A-000	BOLT	2	
42	27511-20A21-000	SPROCKET,ENGINE (NT:17)	1	
43	27531-31J00-000	SPACER,ENGINE SPROCKET	1	
44	27600-06G40-120	CHAIN ASSY,DRIVE (RK525SMOZ8)	1	
45	27620-06G40-000	.JOINT SET,DRIVE CHAIN	1	
46	09159-20004-000	NUT	1	
47	09160-25009-000	WASHER (25X41X3)	1	
48	09280-24010-000	O RING (D:2.4,ID:23.7)	1	

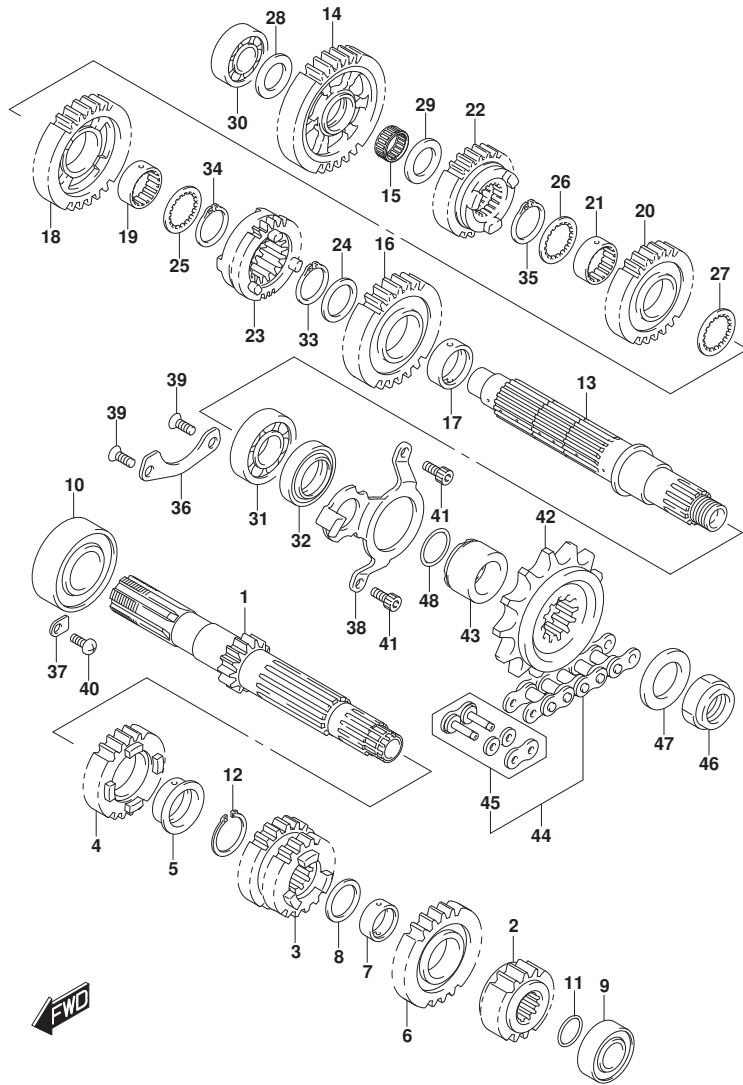


FIG.212A

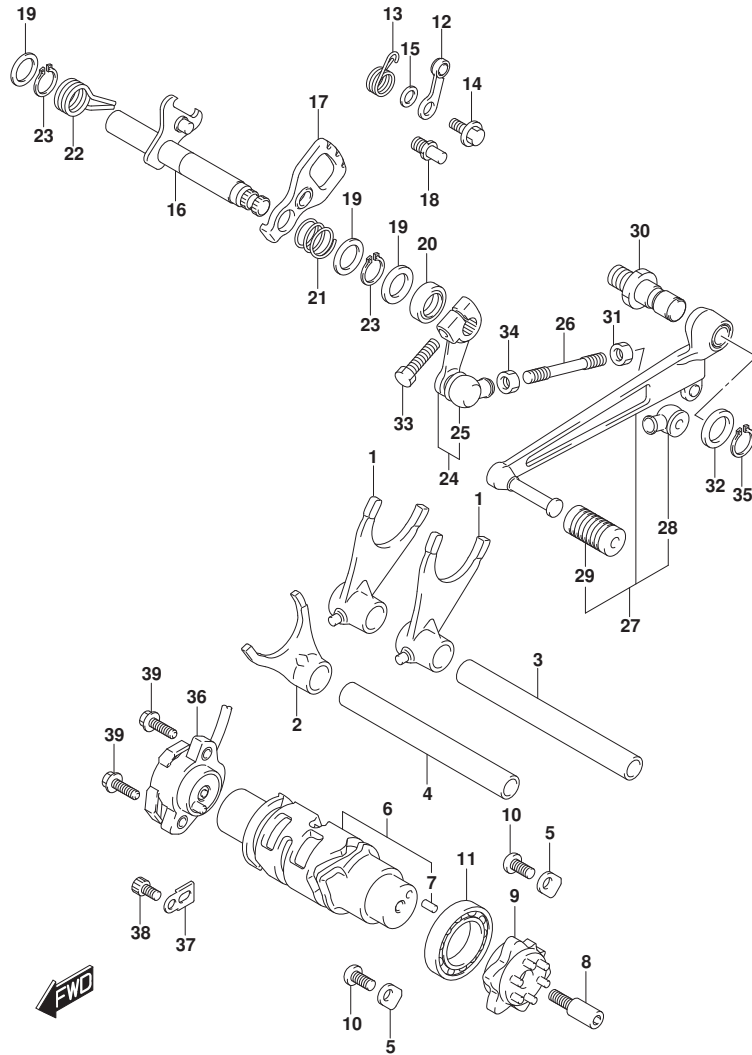


FIG.212A (1-C-16) GEAR SHIFTING

REF NO.	PART NO.	DESCRIPTION	Q'TY	REMARKS
1	25211-17E02-000	FORK,GEAR SHIFT	2	
2	25231-35F00-000	FORK,GEAR SHIFT,NO.3	1	
3	25411-02F20-000	SHIFT,GEAR SHIFT FORK	1	
4	25411-02F20-000	SHIFT,GEAR SHIFT FORK	1	
5	24741-21A00-000	RETAINER	2	
6	25310-31J00-000	CAM,GEAR SHIFT	1	
7	04221-04089-000	.PIN	1	
8	25312-42F01-000	BOLT,GEAR SHIFT CAM PLATE	1	
9	25381-13E30-000	PLATE,GEAR SHIFT CAM	1	
10	09125-06122-000	SCREW (6X12)	2	
11	08113-69050-000	BEARING	1	
12	25350-06G00-000	STOPPER,SHIFT CAM	1	
13	25355-38F00-000	SPRING,GEAR SHIFT CAM STOPPER	1	
14	09111-06041-000	BOLT (6X14.3)	1	
15	08211-06141-000	WASHER	1	
16	25510-06G10-000	SHAFT,GEAR SHUFT	1	
17	25512-06G20-000	PLATE,GEAR SHIFT CAM DRIVE	1	
18	25671-01011-000	STOPPER,GEAR SHIFT ARM	1	
19	09181-14167-000	SHIM (14X22X1.0)	3	
20	09283-14005-000	OIL SEAL (14X22X6.0)	1	
21	09440-17013-000	SPRING	1	
22	25518-06L00-000	SPRING,GEAR SHIFT SHAFT RETURN	1	
23	08331-3114A-000	CIRCLIP	2	
24	25520-16G31-000	ARM,GEAR SHIFT LINK	1	
25	25526-47001-000	.COVER,DUST	1	
26	25525-11C00-000	ROD,GEAR SHIFT LINK (L:90)	1	
27	25600-31J11-000	LEVER ASSY,GEAR SHIFT	1	
28	25526-47001-000	.COVER,DUST	1	
29	25652-20C00-000	.RUBBER,GEAR SHIFT PEDAL	1	
30	25617-03F10-000	SHAFT,GEAR SHIFT LEVER	1	
31	09140-06025-000	NUT	1	
32	09160-12011-000	WASHER (12.5X20X1.0)	1	
33	01547-0625B-000	BOLT	1	
34	09140-06020-000	NUT	1	
35	08331-3112A-000	CIRCLIP	1	

FIG.212A

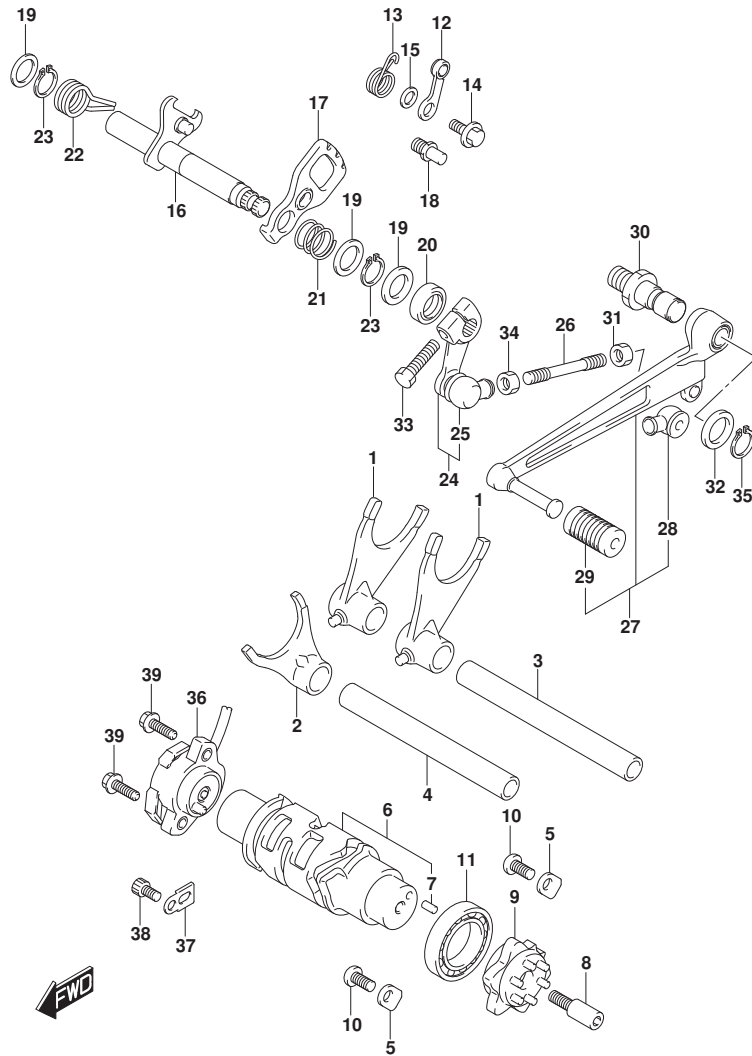


FIG.212A (1-D-2) GEAR SHIFTING

REF NO.	PART NO.	DESCRIPTION	Q'TY	REMARKS
36	37730-31J10-000	SENSOR ASSY, GEAR POSITION	1	
37	31497-45000-000	CLAMP, POSITION SENSOR LEAD	1	
38	07130-0510A-000	BOLT	1	
39	09106-05023-000	BOLT (5X16)	2	

FIG.301A

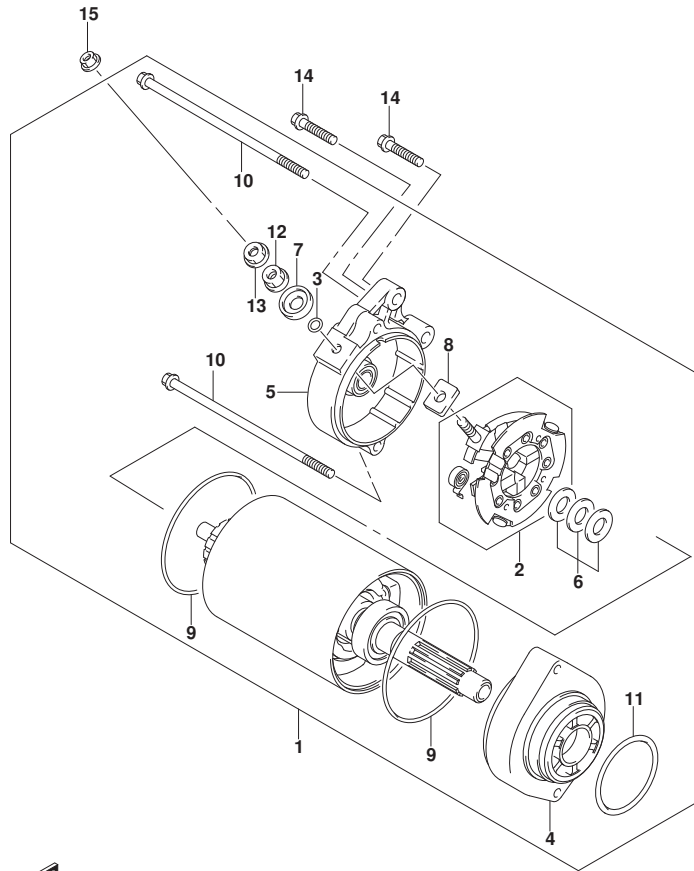


FIG.301A (1-D-3) STARTING MOTOR

REF NO.	PART NO.	DESCRIPTION	Q'TY	REMARKS
1	31100-06L00-000	MOTOR ASSY,STARTING	1	
2	31132-45C00-000	.HOLDER SET,BRUSH	1	
3	31143-38300-000	.O RING	1	
4	31150-07F10-000	.HOUSING ASSY	1	
5	31170-06L00-000	.FRAME	1	
6	31170-43400-000	.SHIM SET	1	
7	31172-38300-000	.BUSHING	1	
8	31173-88C00-000	.BUSHING	1	
9	31264-44110-000	.O RING	2	
10	31281-24B10-000	.BOLT	2	
11	31156-48B00-000	.O RING (D:2.1,ID:34.7)	1	
12	08310-32068-000	.NUT	1	
13	08361-35066-000	.NUT	1	
14	01547-0625B-000	BOLT	2	
15	08361-3506A-000	NUT	1	



FIG.303A

FIG.303A (1-D-4) MAGNETO

REF NO.	PART NO.	DESCRIPTION	Q'TY	REMARKS
1	32101-06L00-000	STATOR ASSY,MAGNETO	1	
2	32102-06L00-000	ROTOR ASSY,MAGNETO	1	
3	32371-13E30-000	CLAMP,GENERATOR LEAD WIRE	1	
4	09103-14001-000	BOLT (14X43)	1	
5	09420-04008-000	KEY (B:4,D:16,H6.5)	1	
6	07130-0512A-000	BOLT	3	
7	09106-06120-000	BOLT (6X40)	3	

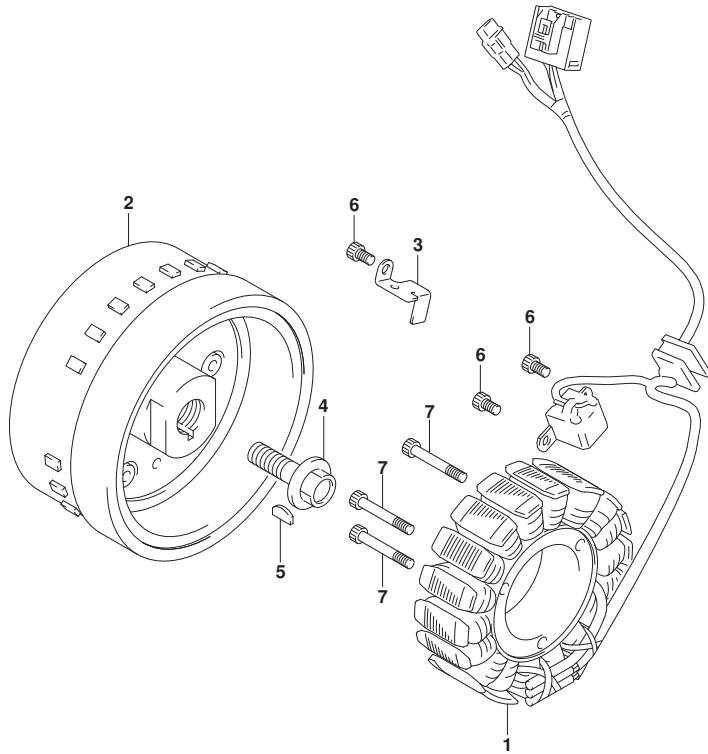


FIG.310A

FIG.310A (1-D-5) BATTERY

REF NO.	PART NO.	DESCRIPTION	Q'TY	REMARKS
1	33620-31J01-000	BATTERY ASSY (FTZ14S,12V/11.2A H)	1	
2	33652-16G00-000	PROTECTOR,BATTERY	1	
3	33652-06L10-000	CUSHION,BATTERY RH	1	
4	33652-06L00-000	CUSHION,BATTERY LH	1	
5	33652-06L20-000	CUSHION,BATTERY	1	
6	33652-06L30-000	CUSHION,BATTERY	1	
7	33652-28C00-000	PROTECTOR (40X85X3)	1	
8	33652-36000-000	CUSHION (30X50X3)	1	
9	51553-15D40-000	CUSHION (50X42X2.0)	2	
10	33810-06L00-000	WIRE,STARTER MOTOR LEAD	1	
11	33860-06L00-000	WIRE,BATTERY MINUS LEAD	1	
12	36651-48E00-000	CLAMP (L:63)	1	
13	09407-14407-000	CLAMP (L:145)	1	

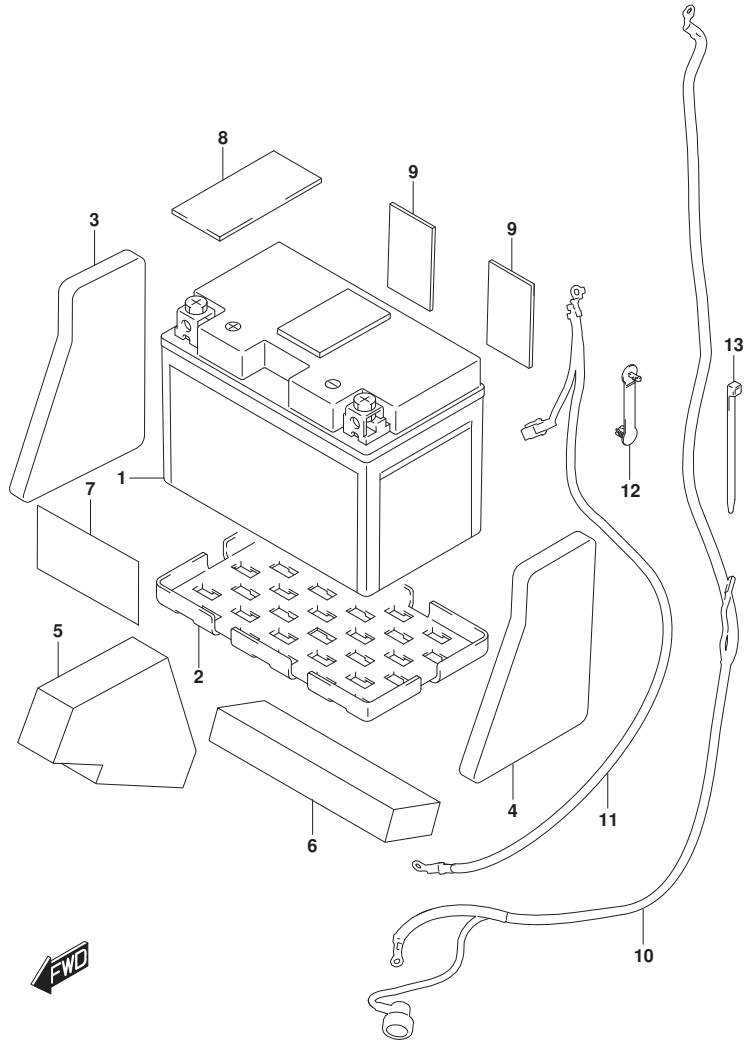


FIG.312A

FIG.312A (1-D-6) ELECTRICAL

REF NO.	PART NO.	DESCRIPTION	Q'TY	REMARKS
1	31800-06G01-000	RELAY ASSY,STARTING MOTOR	1	
2	31861-47E00-000	.COVER	1	
3	09481-30101-000	.FUSE (30A)	2	
4	44552-24B00-000	MOLDING,FUEL TANK RR	1	
5	09128-06013-000	SCREW (6X8)	2	
6	32800-31J00-000	RECTIFIER ASSY	1	
7	08319-3106A-000	NUT	2	
8	45517-16G20-000	TAPE (30X40X0.2)	1	
9	09106-06088-000	BOLT (6X35)	6	
10	09106-06120-000	BOLT (6X40)	2	
11	09159-06096-000	NUT	8	
12	33410-06G01-000	COIL ASSY,IGNITION	1	
13	33410-06L00-000	COIL ASSY,IGNITION REAR	1	
14	33410-20H01-000	COIL ASSY,IGNITION	1	
15	33410-26G01-000	COIL ASSY,IGNITION	1	
16	13412-06L00-000	SHIELD,IGNITION COIL	1	
17	09180-06195-000	SPACER (6.4X10X18)	4	
18	09180-06198-000	SPACER (6.2X12X16)	4	
19	09180-06255-000	SPACER (6.5X9X3.8)	2	
20	09408-00235-000	CLAMP	1	
21	33510-31G00-000	CAP ASSY,SPARK PLUG	2	
22	33510-31G10-000	CAP ASSY,SPARK PLUG	2	
23	33542-06G00-000	SEAL,HT CORD RR	1	
24	33542-06G10-000	SEAL,HT CORD FR	1	
25	33542-38B00-000	SEAL,HIGH TENSION CORD (SIDE)	2	
26	32910-06L00-000	ECM,BLANK	1	
27	33960-25H00-000	SENSOR ASSY,FUEL CUT	1	
28	33651-37000-000	PROTECTOR,BATTERY (170X95X3.0)	2	
29	33652-36000-000	CUSHION (30X50X3)	1	

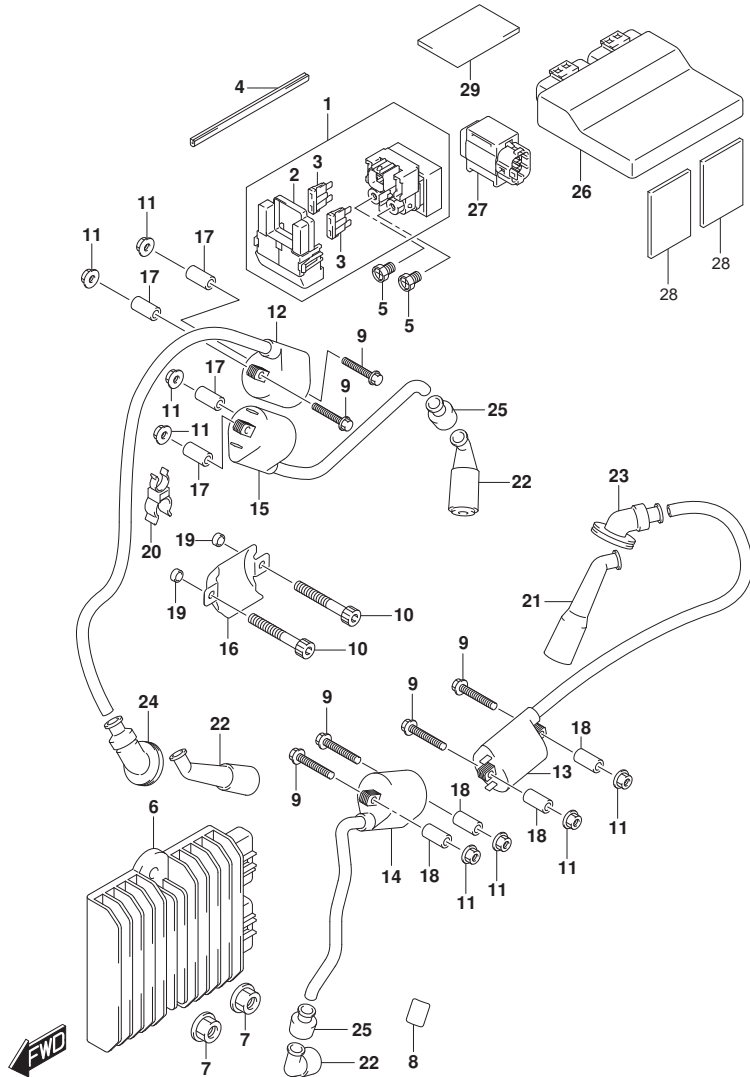


FIG.330A

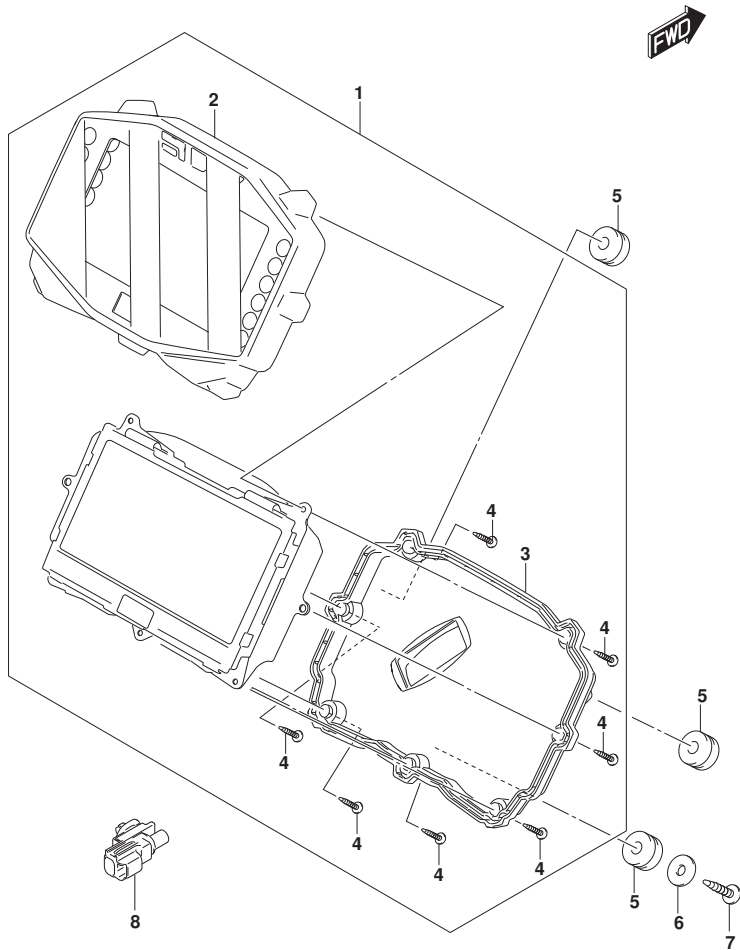


FIG.330A (1-D-7) SPEEDOMETER (DL1050RQ)

REF NO.	PART NO.	DESCRIPTION	Q'TY	REMARKS
1	34100-06L00-000	SPEEDOMETER ASSY	1	
2	34150-06L00-000	.CASE ASSY,UPPER	1	
3	34111-17K00-000	.CASE ASSY,LOWER	1	
4	34183-10C00-000	.SCREW	8	
5	34189-08J01-000	CUSHION,SPEEDOMETER	3	
6	09160-04026-000	WASHER (4.5X16X1.2)	1	
7	03541-0416A-000	SCREW	1	
8	#05643-58J00-000	SENSOR,AIR TEMP	1	

FIG.330E

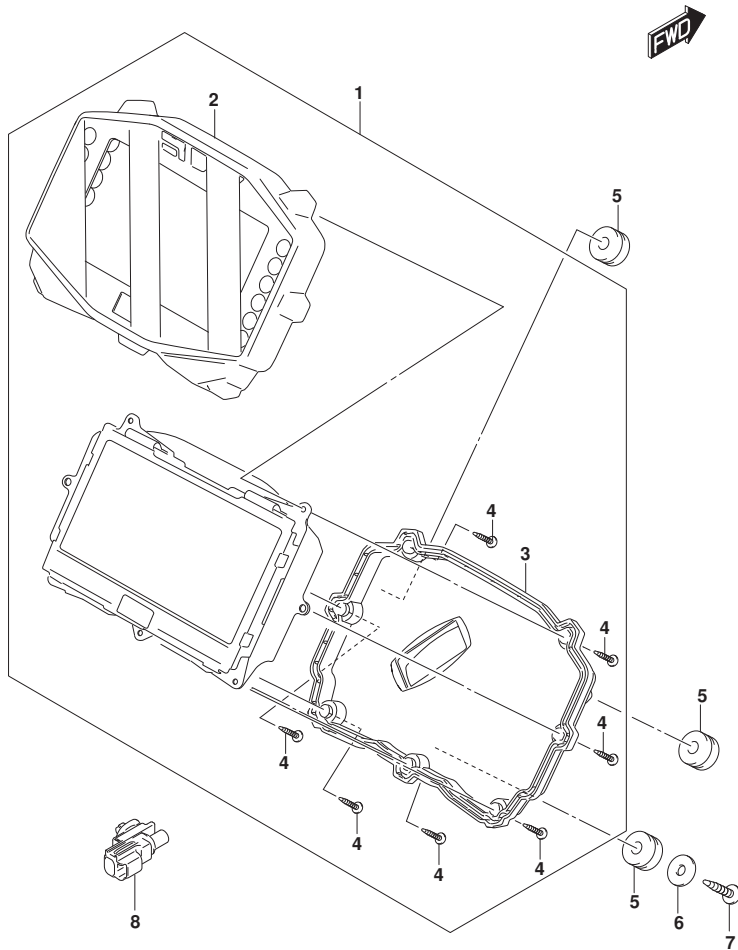


FIG.330E (1-D-8) SPEEDOMETER (DL1050RC)

REF NO.	PART NO.	DESCRIPTION	Q'TY	REMARKS
1	34100-06LA0-000	SPEEDOMETER ASSY	1	
2	34150-06LA0-000	.CASE ASSY,UPPER	1	
3	34111-17K00-000	.CASE ASSY,LOWER	1	
4	34183-10C00-000	.SCREW	8	
5	34189-08J01-000	CUSHION,SPEEDOMETER	3	
6	09160-04026-000	WASHER (4.5X16X1.2)	1	
7	03541-0416A-000	SCREW	1	
8	#05643-58J00-000	SENSOR,AIR TEMP	1	

FIG.333A

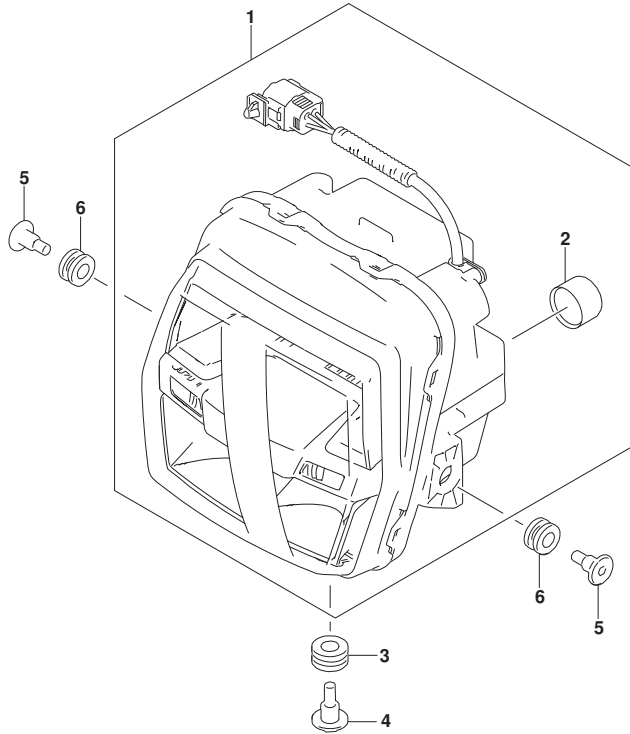


FIG.333A (1-D-9) HEADLAMP

REF NO.	PART NO.	DESCRIPTION	QTY	REMARKS
1	35100-07L11-000	HEADLAMP ASSY	1	
2	35529-77R00-000	.CAP	1	
3	09320-10078-000	CUSHION (10X20X10)	1	
4	09139-06231-000	BOLT,HEADLAMP	1	
5	09139-06232-000	BOLT,HEADLAMP	2	
6	09320-09501-000	CUSHION (9X18X10)	2	



FIG.334A

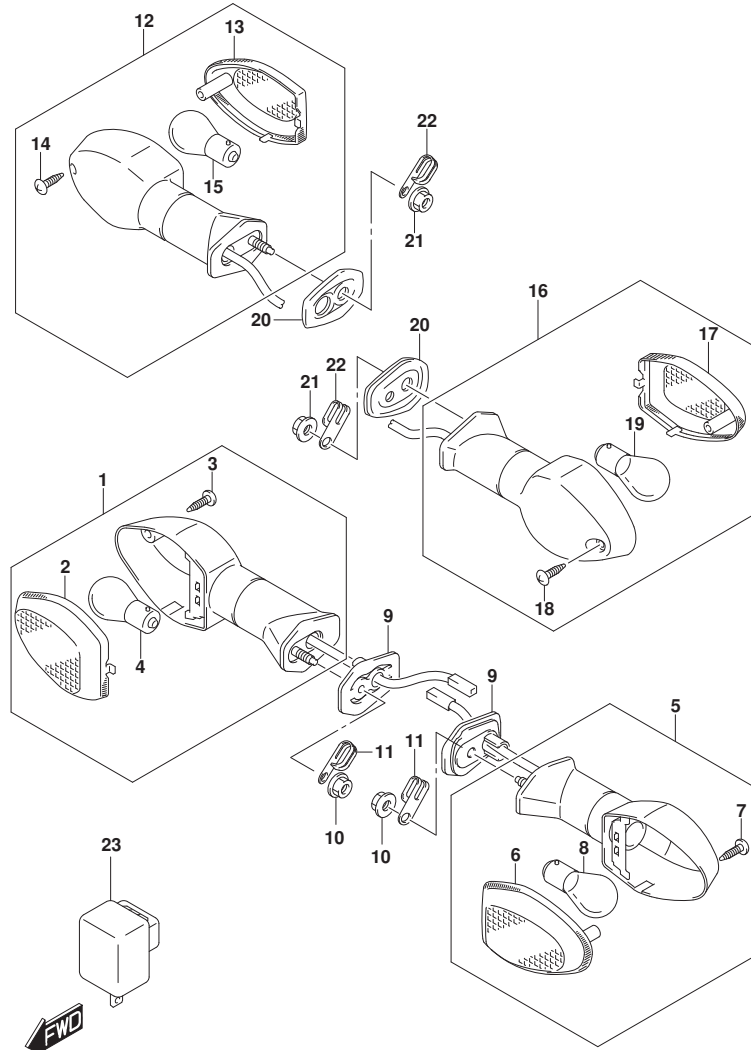


FIG.334A (1-D-10) TURNSIGNAL LAMP (DL1050RQ)

REF NO.	PART NO.	DESCRIPTION	Q'TY	REMARKS
1	35601-08JA0-000	LAMP ASSY,FRONT TURNSIGNAL RH	1	
2	35612-08JA0-000	.LENS,RH	1	
3	03211-0414B-000	.SCREW	1	
4	09471-12186-000	.BULB (12V21W)	1	
5	35602-08JA0-000	LAMP ASSY,FRONT TURNSIGNAL LH	1	
6	35632-08JA0-000	.LENS,LH	1	
7	03211-0414B-000	.SCREW	1	
8	09471-12186-000	.BULB (12V21W)	1	
9	35629-31F40-000	PLATE,TURNSIGNAL LAMP	2	
10	08316-1005A-000	NUT	2	
11	09404-06429-000	CLAMP (L:45)	2	
12	35603-08JA0-000	LAMP ASSY,RR TURNSIGNAL RH	1	
13	35632-08JA0-000	.LENS,LH	1	
14	03211-0414B-000	.SCREW	1	
15	09471-12186-000	.BULB (12V21W)	1	
16	35604-08JA0-000	LAMP ASSY,RR TURNSIGNAL LH	1	
17	35612-08JA0-000	.LENS,RH	1	
18	03211-0414B-000	.SCREW	1	
19	09471-12186-000	.BULB (12V21W)	1	
20	35629-31F40-000	PLATE,TURNSIGNAL LAMP	2	
21	08316-1005A-000	NUT	2	
22	09404-06429-000	CLAMP (L:45)	2	
23	38610-06F01-000	RELAY ASSY,TURNSIGNAL LAMP	1	

FIG.334B

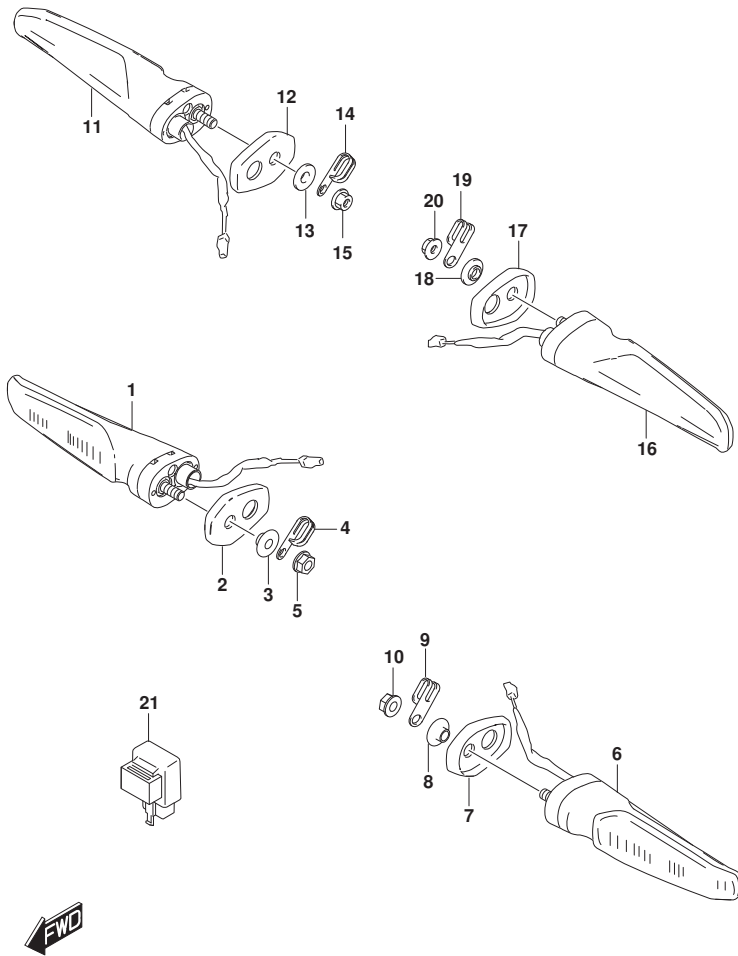


FIG.334B (1-D-11) TURNSIGNAL LAMP (DL1050RC)

REF NO.	PART NO.	DESCRIPTION	Q'TY	REMARKS
1	35601-06L00-000	LAMP ASSY,FR TURNSIGNAL RH	1	
2	35690-06L00-000	CUSHION,TURNSIGNAL	1	
3	09169-06073-000	WASHER (6.1X17.0X4.8)	1	
4	09404-06429-000	CLAMP (L:45)	1	
5	08316-1006A-000	NUT	1	
6	35602-06L00-000	LAMP ASSY,FR TURNSIGNAL LH	1	
7	35690-06L00-000	CUSHION,TURNSIGNAL	1	
8	09169-06073-000	WASHER (6.1X17.0X4.8)	1	
9	09404-06429-000	CLAMP (L:45)	1	
10	08316-1006A-000	NUT	1	
11	35603-06L00-000	LAMP ASSY,RR TURNSIGNAL RH	1	
12	35690-06L00-000	CUSHION,TURNSIGNAL	1	
13	09169-06073-000	WASHER (6.1X17.0X4.8)	1	
14	09404-06429-000	CLAMP (L:45)	1	
15	08316-1006A-000	NUT	1	
16	35604-06L00-000	LAMP ASSY,RR TURNSIGNAL LH	1	
17	35690-06L00-000	CUSHION,TURNSIGNAL	1	
18	09169-06073-000	WASHER (6.1X17.0X4.8)	1	
19	09404-06429-000	CLAMP (L:45)	1	
20	08316-1006A-000	NUT	1	
21	38610-06L00-000	RELAY ASSY,TURNSIGNAL	1	

FIG.339C

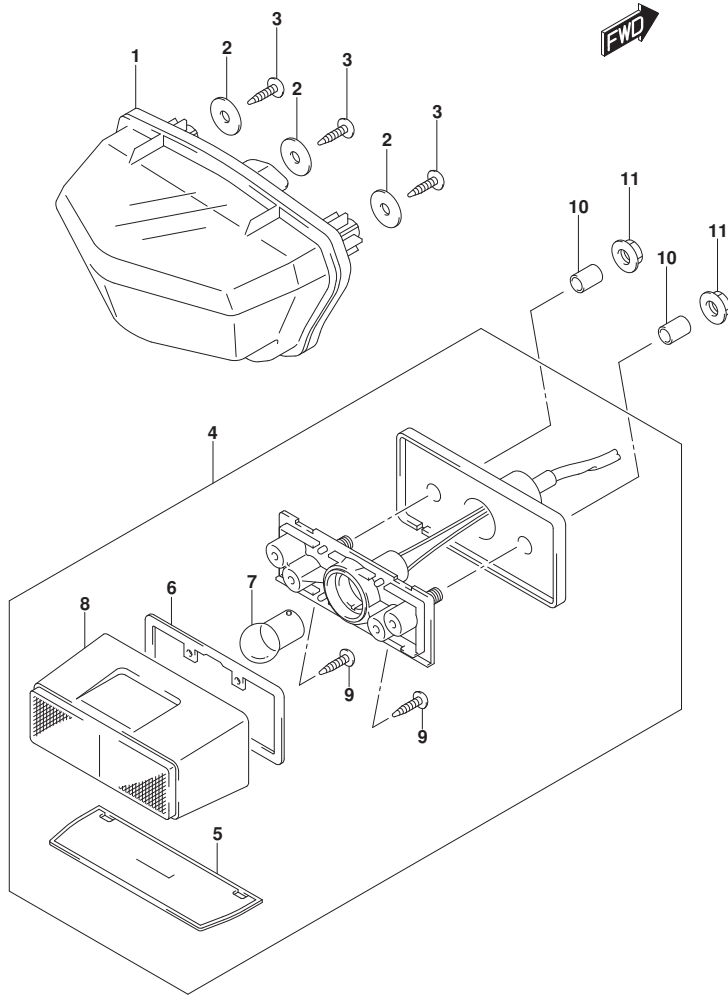


FIG.339C (1-D-13) REAR COMBINATION LAMP (DL1050RC)

REF NO.	PART NO.	DESCRIPTION	Q'TY	REMARKS
1	35710-31JA0-000	LAMP ASSY,REAR COMB	1	
2	09160-05501-000	WASHER (5.5X20X1.2)	3	
3	03541-0516A-000	SCREW	3	
4	35910-41GB2-000	LAMP ASSY,LICENSE	1	
5	35912-41G01-000	.LENS,LICENSE	1	
6	35913-41G00-000	.GASKET	1	
7	09471-12140-000	.BULB (12V5W)	1	
8	35917-41G00-000	.COVER,LICENSE LAMP	1	
9	03211-0416A-000	.SCREW	2	
10	09180-06263-000	SPACER (6.5X9X9)	2	
11	09159-06096-000	NUT	2	

FIG.350A

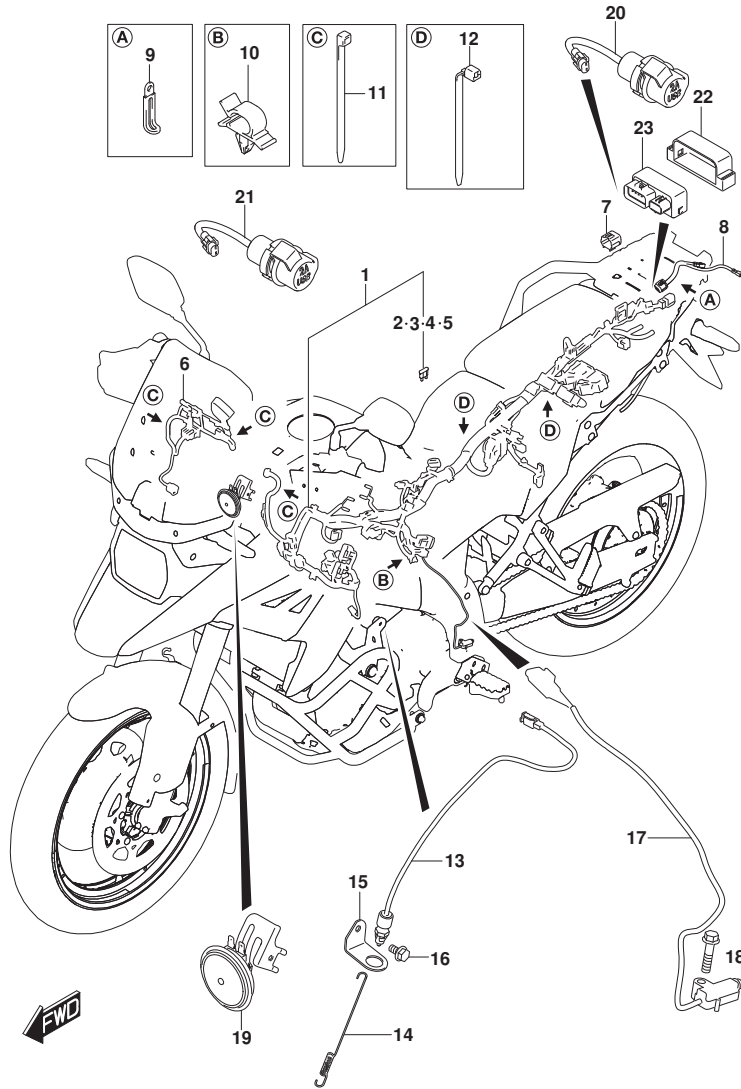


FIG.350A (1-D-14) WIRING HARNESS (DL1050RC)

REF NO.	PART NO.	DESCRIPTION	Q'TY	REMARKS
1	36610-06L00-000	HARNES,WIRING	1	
2	09481-03501-000	.FUSE (3A)	1	
3	09481-10504-000	.FUSE (10A)	5	
4	09481-15504-000	.FUSE (15A)	3	
5	09481-25504-000	.FUSE (25A)	1	
6	36620-06L00-000	HARNES,WIRING NO.2	1	
7	36654-28K00-000	CAP,OBD CONNECTOR	1	
8	36856-06L00-000	WIRE,REAR TURN SIGNAL LEAD	1	
9	09404-06429-000	CLAMP (L:45)	2	
10	09403-10319-000	CLAMP	1	
11	09407-14407-000	CLAMP (L:145)	9	
12	09407-19401-000	CLAMP (L:190)	2	
13	37740-06L00-000	SWITCH ASSY,STOP LAMP	1	
14	43259-31J00-000	SPRING,STOP LAMP SWITCH	1	
15	43251-31J00-000	BRACKET,STOP LAMP SWITCH	1	
16	01550-0612A-000	BOLT	1	
17	37840-24F01-000	SWITCH ASSY,SIDE STAND	1	
18	09103-08357-000	BOLT (8X35)	1	
19	38500-06L00-000	HORN ASSY	1	
20	38850-31J00-000	TERMINAL,POWER SOURCE	1	
21	39105-06L00-000	SOCKET,USB	1	
22	36744-06L00-000	HOLDER,RELAY	1	
23	38860-06L00-000	RELAY ASSY	1	

FIG.350C

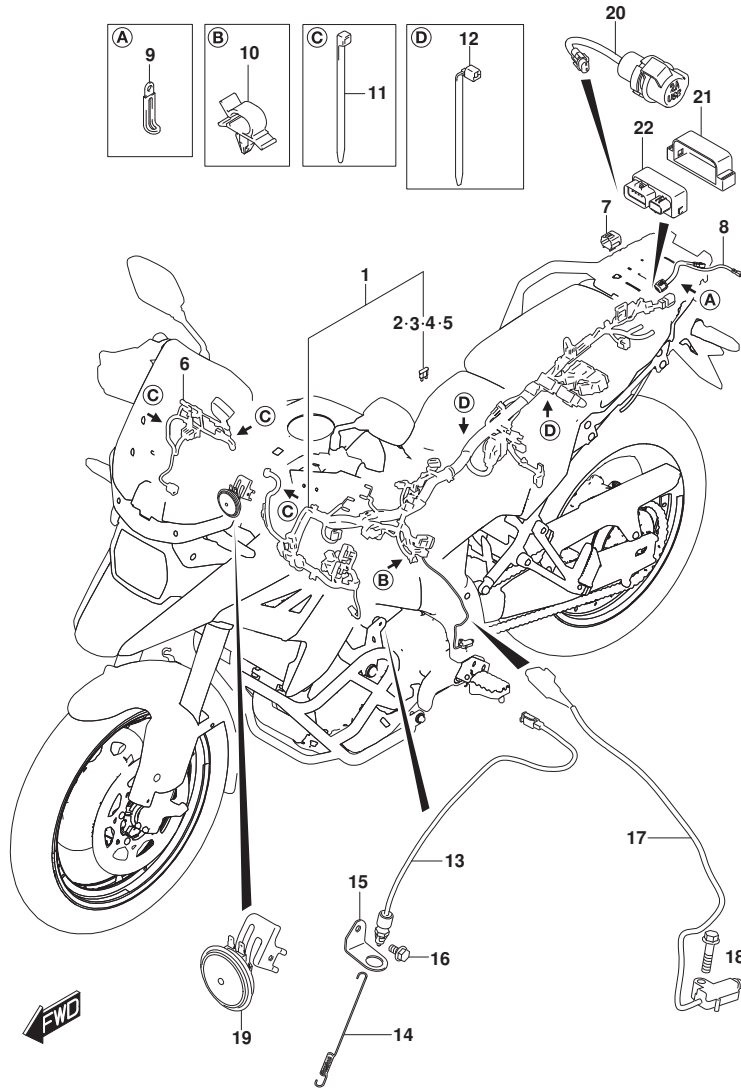


FIG.350C (1-D-15) WIRING HARNESS (DL1050RQ)

REF NO.	PART NO.	DESCRIPTION	Q'TY	REMARKS
1	36610-06LA0-000	HARNESS,WIRING	1	
2	09481-03501-000	.FUSE (3A)	1	
3	09481-10504-000	.FUSE (10A)	6	
4	09481-15504-000	.FUSE (15A)	2	
5	09481-25504-000	.FUSE (25A)	1	
6	36620-06LA0-000	HARNESS,WIRING NO.2	1	
7	36654-28K00-000	CAP,OBD CONNECTOR	1	
8	36856-06LA0-000	WIRE,REAR TURN SIGNAL LEAD	1	
9	09404-06429-000	CLAMP (L:45)	2	
10	09403-10319-000	CLAMP	1	
11	09407-14407-000	CLAMP (L:145)	9	
12	09407-19401-000	CLAMP (L:190)	2	
13	37740-06L00-000	SWITCH ASSY,STOP LAMP	1	
14	43259-31J00-000	SPRING,STOP LAMP SWITCH	1	
15	43251-31J00-000	BRACKET,STOP LAMP SWITCH	1	
16	01550-0612A-000	BOLT	1	
17	37840-24F01-000	SWITCH ASSY,SIDE STAND	1	
18	09103-08357-000	BOLT (8X35)	1	
19	38500-06L00-000	HORN ASSY	1	
20	39105-06L00-000	SOCKET,USB	1	
21	36744-06L00-000	HOLDER,RELAY	1	
22	38860-06L00-000	RELAY ASSY	1	

FIG.352A

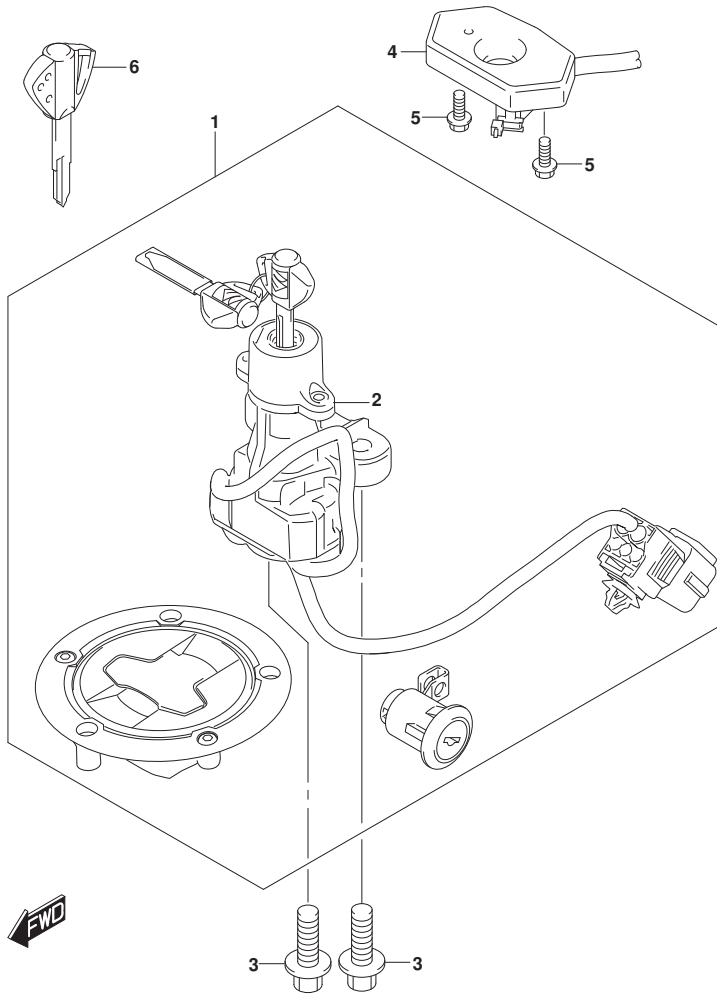


FIG.352A (1-D-16) LOCK SET

REF NO.	PART NO.	DESCRIPTION	Q'TY	REMARKS
1	37101-06810-000	LOCK SET	1	
2	37100-06L00-000	.LOCK ASSY,STEERING	1	
3	37152-17K00-000	BOLT,STEERING LOCK (8X20)	2	
4	37180-06L00-000	ANTENNA ASSY,IMMOBILIZER	1	
5	01547-0512B-000	BOLT	2	
6	37146-13K00-000	KEY,BLANK	1	OPT

FIG.352B

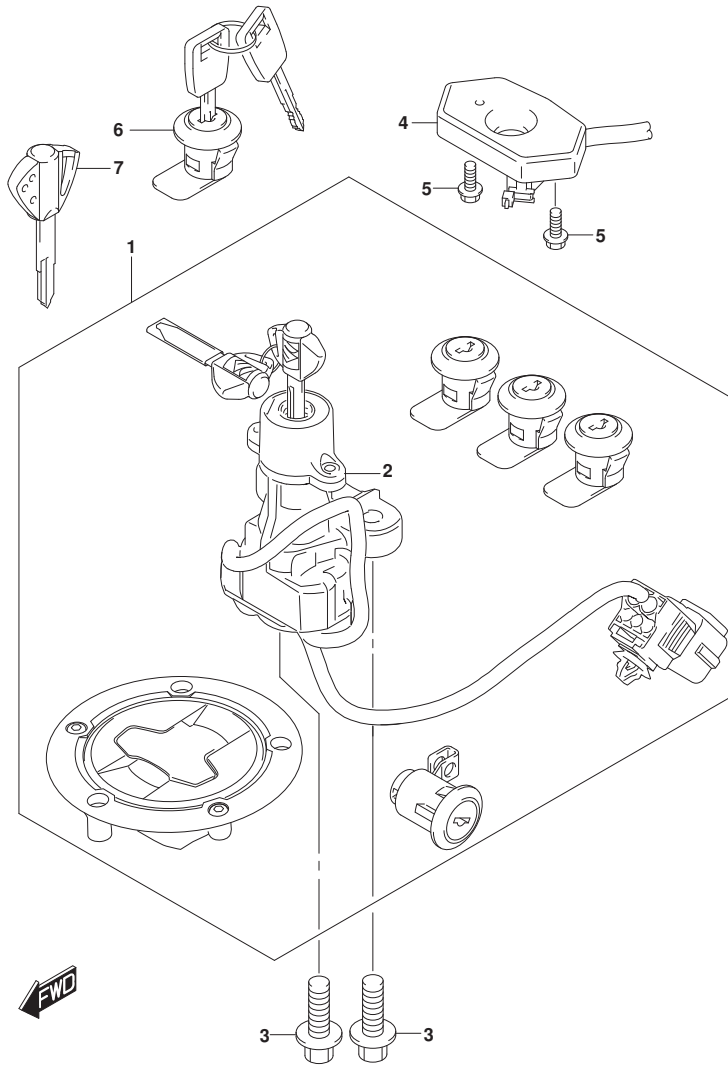


FIG.352B (1-E-2) LOCK SET (SEE NOTE 1)

REF NO.	PART NO.	DESCRIPTION	Q'TY	REMARKS
1	37101-06820-000	LOCK SET	1	
2	37100-06L00-000	.LOCK ASSY,STEERING	1	
3	37152-17K00-000	BOLT,STEERING LOCK (8X20)	2	
4	37180-06L00-000	ANTENNA ASSY,IMMOBILIZER	1	
5	01547-0512B-000	BOLT	2	
6	95700-31870-000	LOCK SET,CASE	3	
7	37146-13K00-000	KEY,BLANK	1	OPT

NOTE 1:
FOR TOP CASE, SIDE CASE

FIG.355A



FIG.355A (1-E-3) HANDLE SWITCH (DL1050RC)

REF NO.	PART NO.	DESCRIPTION	Q'TY	REMARKS
1	37400-06L00-000	SWITCH ASSY,HANDLE LH	1	
2	36990-06L00-000	CLAMP,HANDLE SWITCH (L:145)	3	

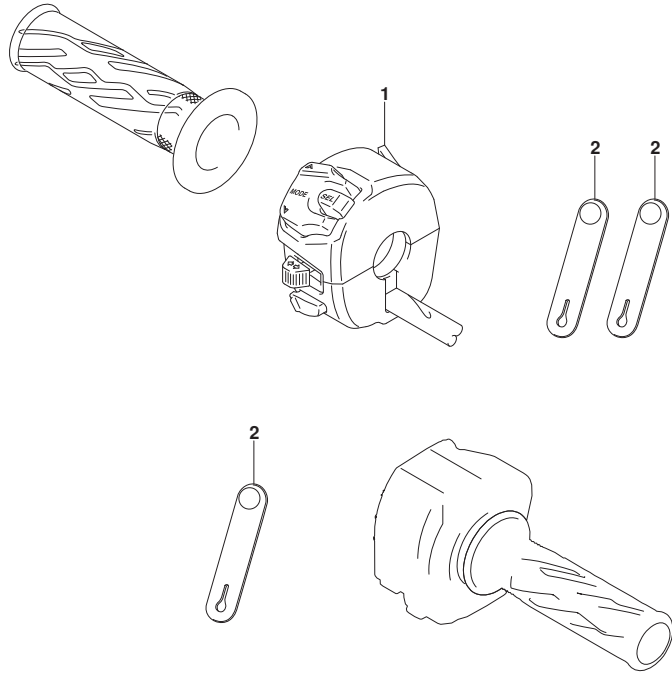


FIG.355B



FIG.355B (1-E-4) HANDLE SWITCH (DL1050RQ)

REF NO.	PART NO.	DESCRIPTION	Q'TY	REMARKS
1	37400-06L10-000	SWITCH ASSY,HANDLE LH	1	
2	36990-06L00-000	CLAMP,HANDLE SWITCH (L:145)	3	

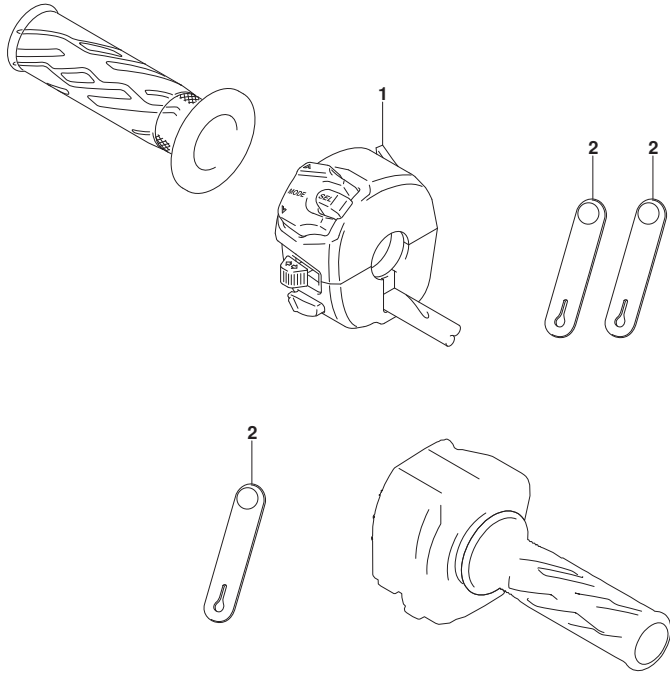


FIG.401A

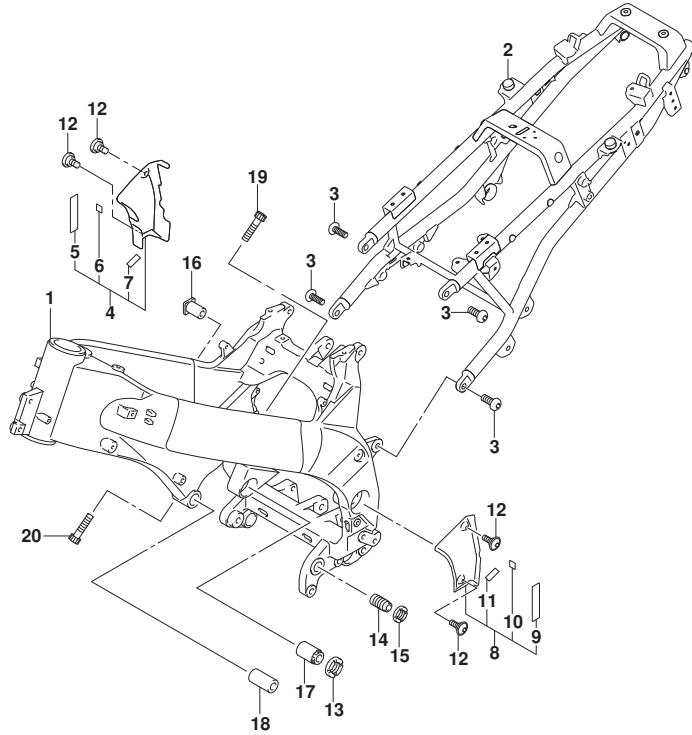


FIG.401A (1-E-5) FRAME

REF NO.	PART NO.	DESCRIPTION	Q'TY	REMARKS
1	41100-31J20-YAP	FRAME (BLACK)	1	
2	41200-31J30-YAP	RAIL,SEAT (BLACK)	1	
3	09139-10006-000	BOLT,SEAT RAIL	4	
4	43580-31J00-000	COVER,PIVOT RH	1	
5	33652-38A10-000	.PROTECTOR (20X90X2)	1	
6	63115-37H00-000	.CUSHION (10X10X1)	1	
7	94429-21E00-000	.CUSHION (10X30X2)	1	
8	43590-31J00-000	COVER,PIVOT LH	1	
9	33652-38A10-000	.PROTECTOR (20X90X2)	1	
10	63115-37H00-000	.CUSHION (10X10X1)	1	
11	94429-21E00-000	.CUSHION (10X30X2)	1	
12	09139-05092-000	SCREW (5X13)	4	
13	41922-19F20-000	NUT,CRANK CASE ADJUST CTR	1	
14	41921-16G00-000	BOLT,CASE LWR & RR HEAD ADJ	1	
15	41922-33E20-000	NUT,CRANK CASE ADJUST LWR	1	
16	41921-47H00-000	BOLT,CRANK CASE ADJUST	1	
17	41941-19F01-000	SPACER,MOUNTING REAR UPPER RH	1	
18	41942-02F00-000	SPACER,ENG HEAD MTG,RR LH	1	
19	07130-0840B-000	BOLT	1	
20	07130-0840B-000	BOLT	1	



FIG.406A

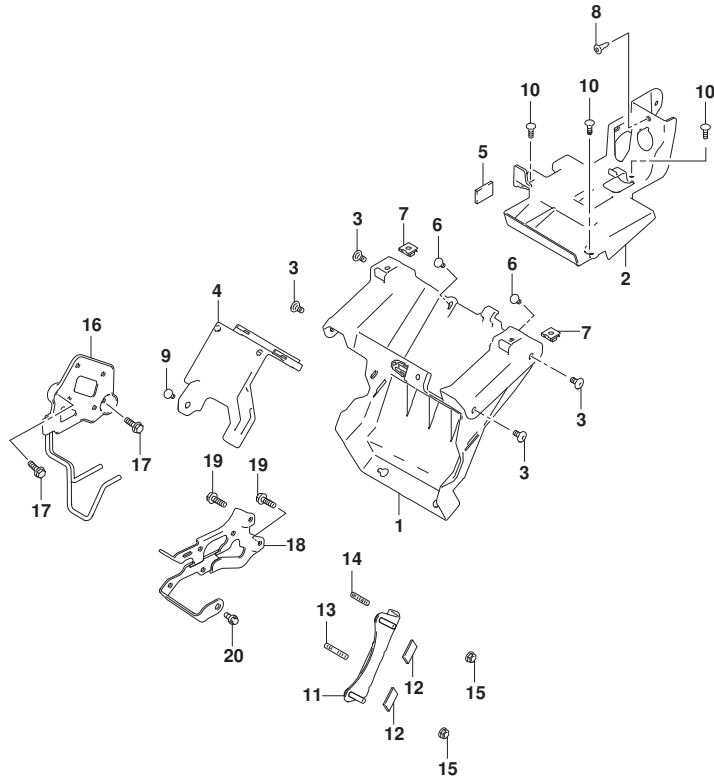


FIG.406A (1-E-6) HOLDER

REF NO.	PART NO.	DESCRIPTION	Q'TY	REMARKS
1	47414-06L00-000	HOLDER,BATTERY	1	
2	47415-06L00-000	HOLDER,ELECTRIC PARTS	1	
3	47416-06L00-000	BOLT,BATTERY HOLDER	4	
4	47431-06L00-000	LID,BATTERY HOLDER	1	
5	47512-10D00-000	CUSHION (20X20X2)	1	
6	47912-31J00-000	SCREW (5X13)	2	
7	09148-06018-000	NUT	2	
8	09409-06314-000	CLIP (5.9X20.5)	1	
9	03541-0512B-000	SCREW	1	
10	03541-0516A-000	SCREW	3	
11	47410-06L00-000	BRACKET,RECTIFIER	1	
12	48128-14FA0-000	CUSHION (10X24X1)	2	
13	01421-0616A-000	BOLT,STUD	1	
14	01421-0625B-000	BOLT,STUD	1	
15	08316-1006A-000	NUT	2	
16	47420-06L00-000	BRACKET,IGNITION COIL RH	1	
17	01550-0620A-000	BOLT	2	
18	47420-06L10-000	BRACKET,IGNITION COIL LH	1	
19	01550-0620A-000	BOLT	2	
20	01550-0620B-000	BOLT	1	



FIG.407A

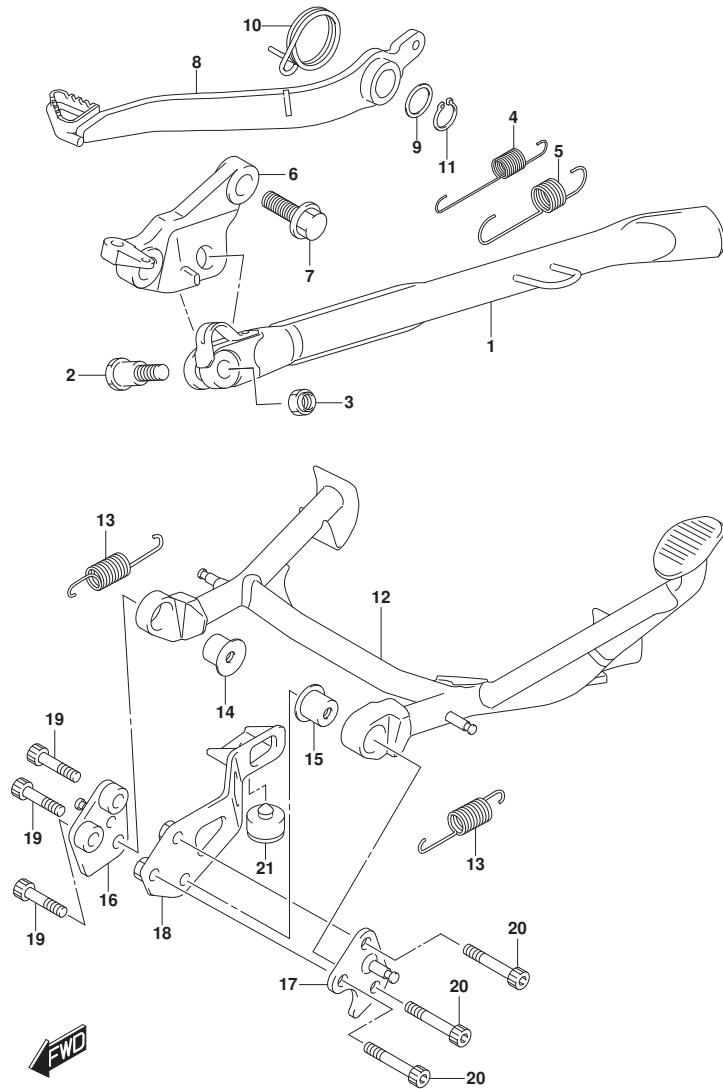


FIG.407A (1-E-7) STAND (DL1050RC)

REF NO.	PART NO.	DESCRIPTION	Q'TY	REMARKS
1	42310-31J01-000	STAND,PROP	1	
2	09111-10058-000	BOLT (10X37.5)	1	
3	42321-03FK0-000	NUT,PROP STAND	1	
4	09443-14058-000	SPRING	1	
5	09443-19011-000	SPRING	1	
6	42330-06L00-000	BRACKET,PROP STAND	1	
7	01550-1235B-000	BOLT,PROP STAND BRACKET	2	
8	43111-06L00-000	PEDAL,BRAKE	1	
9	09160-18022-000	WASHER (18X24X1.0)	1	
10	09448-41006-000	SPRING,BRAKE PEDAL	1	
11	08331-3118A-000	CIRCLIP	1	
12	42100-31J10-000	STAND,CENTER	1	
13	42241-31J00-000	SPRING,CENTER STAND	2	
14	42253-31J10-000	SPACER,CENTER STAND RH	1	
15	42254-31J10-000	SPACER,CENTER STAND LH	1	
16	42260-06L00-000	PLATE,CENTER STAND RH	1	
17	42270-31J10-000	PLATE,CENTER STAND LH	1	
18	42290-31J00-000	PLATE,CENTER STAND	1	
19	01550-1035B-000	BOLT	3	
20	09321-10046-000	CUSHION,CENTER STAND	1	
21	42221-06L00-000	BOLT,CENTER STAND LH	3	

FIG.407C

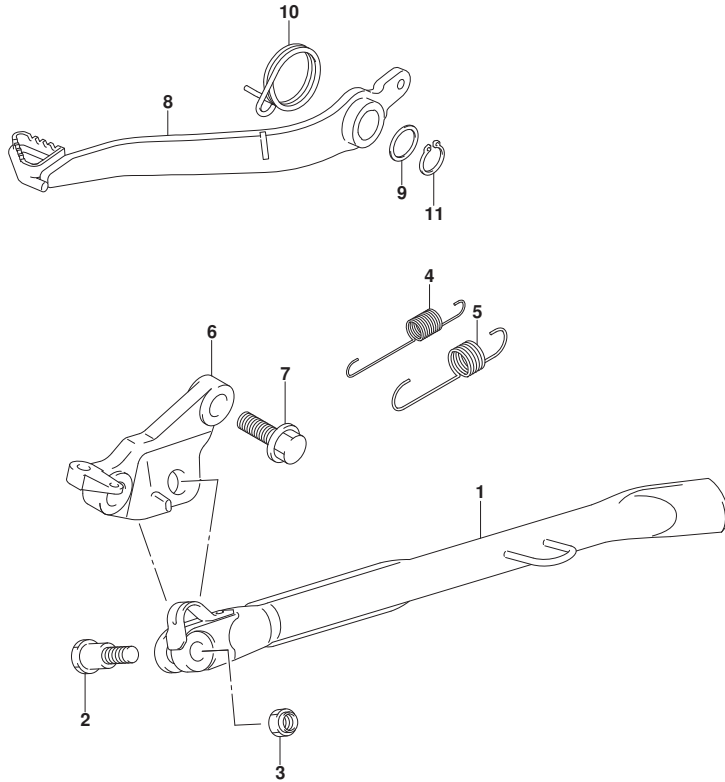


FIG.407C (1-E-8) STAND (DL1050RQ)

REF NO.	PART NO.	DESCRIPTION	Q'TY	REMARKS
1	42310-31J01-000	STAND,PROP	1	
2	09111-10058-000	BOLT (10X37.5)	1	
3	42321-03FK0-000	NUT,PROP STAND	1	
4	09443-14058-000	SPRING	1	
5	09443-19011-000	SPRING	1	
6	42330-31J00-000	BRACKET,PROP STAND	1	
7	01550-0612A-000	BOLT	1	
8	43111-06L00-000	PEDAL,BRAKE	1	
9	09160-18022-000	WASHER (18X24X1.0)	1	
10	09448-41006-000	SPRING,BRAKE PEDAL	1	
11	08331-3118A-000	CIRCLIP	1	



FIG.412A

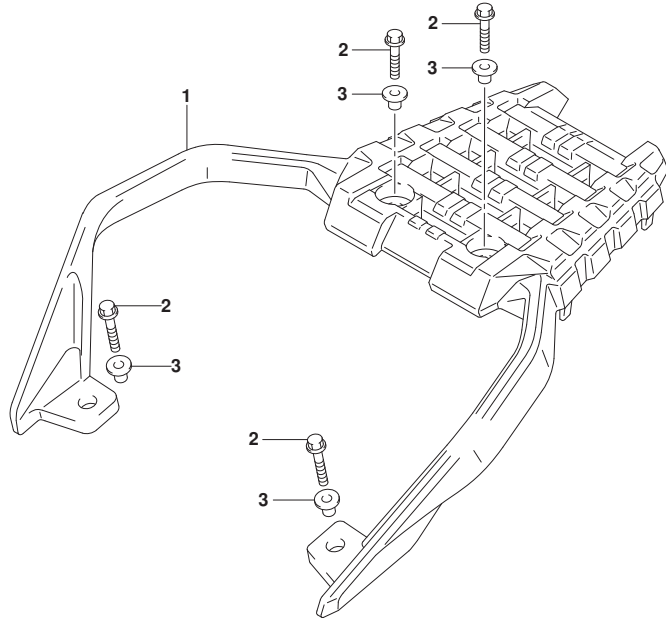


FIG.412A (1-E-9) CARRIER

REF NO.	PART NO.	DESCRIPTION	Q'TY	REMARKS
1	46311-31J11-000	CARRIER,SPORT	1	
2	09103-08568-000	BOLT,SPORT CARRIER	4	
3	09169-08053-000	WASHER,SPORT CARRIER	4	



FIG.415A

FIG.415A (1-E-10) FOOTREST

REF NO.	PART NO.	DESCRIPTION	Q'TY	REMARKS
1	43510-06G01-YAP	BRACKET,FR FOOTREST RH (BLACK)	1	
2	43521-06G01-YAP	BRACKET,FR FOOTREST LH (BLACK)	1	
3	09106-08200-000	BOLT,FR FOOTREST BRKT (8X23)	4	
4	43501-06L00-000	FOOTREST ASSY,FRONT RH	1	
5	43576-48B40-000	.BOLT,BANK SENSOR	1	
6	43551-06L00-000	.RUBBER,FR FOOTREST	1	
7	43552-06L00-000	.PLATE,FR FOOTREST RUBBER	1	
8	43530-06L00-000	.BAR,FRONT FOOTREST RH	1	
9	47512-28K00-000	.SPACER,FR FOOTREST RUBBER	2	
10	07120-0512A-000	.BOLT	2	
11	43502-06L00-000	FOOTREST ASSY,FRONT LH	1	
12	43576-48B40-000	.BOLT,BANK SENSOR	1	
13	43551-06L00-000	.RUBBER,FR FOOTREST	1	
14	43552-06L00-000	.PLATE,FR FOOTREST RUBBER	1	
15	43540-06L00-000	.BAR,FRONT FOOTREST LH	1	
16	47512-28K00-000	.SPACER,FR FOOTREST RUBBER	2	
17	07120-0512A-000	.BOLT	2	
18	09208-08023-000	PIN,FRONT FOOTREST	2	
19	09448-18037-000	SPRING,FRONT FOOTREST	2	
20	08332-1106B-000	E RING	2	
21	43610-34A60-000	BAR,PILLION FOOTREST RH	1	
22	43612-33G30-000	RUBBER,PILLION FOOTREST	2	
23	43631-34A01-000	WASHER,FOOTREST RUBBER	2	
24	43710-34A60-000	BAR,PILLION FOOTREST LH	1	
25	43811-31J00-YAP	BRKT,PILLION FOOTREST RH (BLAC K)	1	
26	43821-31J00-YAP	BRKT,PILLION FOOTREST LH (BLAC K)	1	
27	09106-08131-000	BOLT (8X30)	4	
28	09208-06010-000	PIN,PILLION FOOTREST	2	
29	08332-1104B-000	E RING	2	

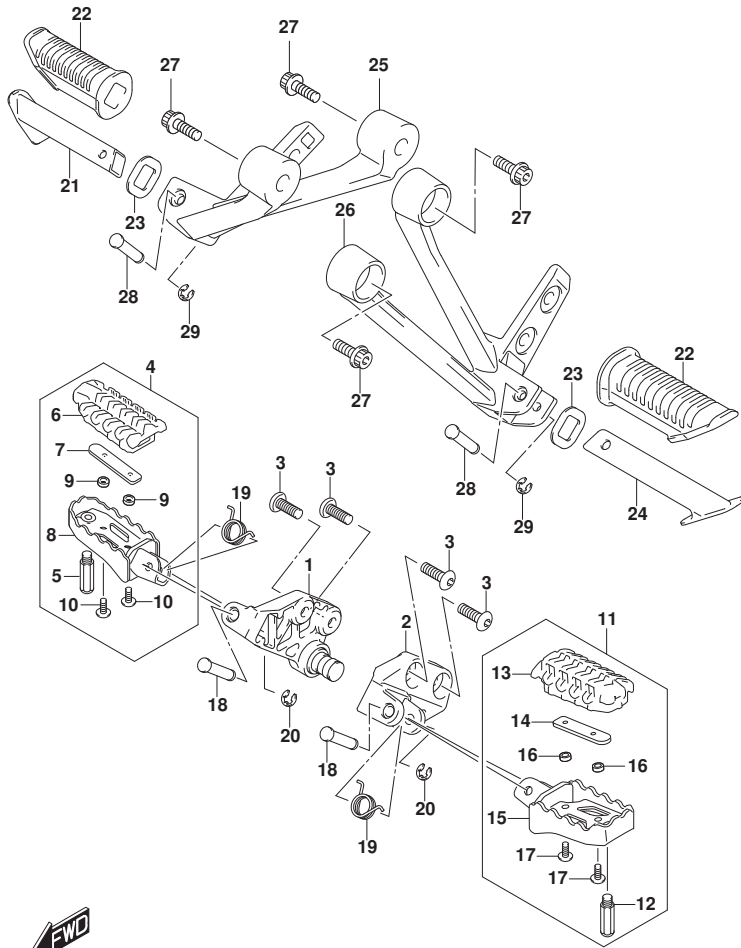


FIG.420A

FIG.420A (1-E-11) FUEL TANK (DL1050RQ)

REF NO.	PART NO.	DESCRIPTION	Q'TY	REMARKS
1	44100-06L00-YVB	TANK ASSY,FUEL (BLACK)	1	
2	44121-06L00-000	VESSEL,FUEL TANK INNER	1	
3	44200-17840-000	CAP SET,FUEL TANK FILLER	1	
4	44244-11J00-000	BOLT,FUEL TANK FILLER CAP	3	
5	44276-21H01-000	CUSHION,FUEL TANK COVER	2	
6	44530-06G00-000	BRACKET,FUEL TANK REAR UP	1	
7	44541-31J00-000	CUSHION,FUEL TANK SIDE	2	
8	44542-06G00-000	CUSHION,FUEL TANK REAR UPPER	1	
9	44545-06G00-000	CUSHION,FUEL TANK REAR LOWER	1	
10	44545-06L00-000	CUSHION,FUEL TANK RR	1	
11	44550-31J00-000	BRACKET,FUEL TANK REAR	1	
12	44552-24B00-000	MOLDING,FUEL TANK RR	2	
13	01550-0816A-000	BOLT	2	
14	01550-0835A-000	BOLT	1	
15	44179-06L00-000	BRKT,FUEL TANK COV SIDE RH	1	
16	44183-23H00-000	CUSHION,TANK SIDE COVER	2	
17	44189-06L00-000	BRKT,FUEL TANK COV SIDE LH	1	
18	44523-47H00-000	NUT (M6)	4	
19	44542-31J00-000	CUSHION,FUEL TANK COV BRKT	2	
20	44556-33H10-000	CUSHION,TANK COV BRKT NO.1	4	
21	44572-02F01-000	FASTENER (25X33X0.8)	4	
22	47163-10FA0-000	CUSHION (15X23X4)	4	
23	09103-06285-000	BOLT (6X12)	4	
24	44423-31J12-000	HOSE,FUEL TANK DRAIN NO.2	1	
25	44423-31J21-000	HOSE,FUEL TANK DRAIN NO.1	1	
26	44480-31J00-000	GUIDE,DRAIN HOSE	1	
27	09367-08005-000	3 WAY	1	
28	07130-1016B-000	BOLT	2	

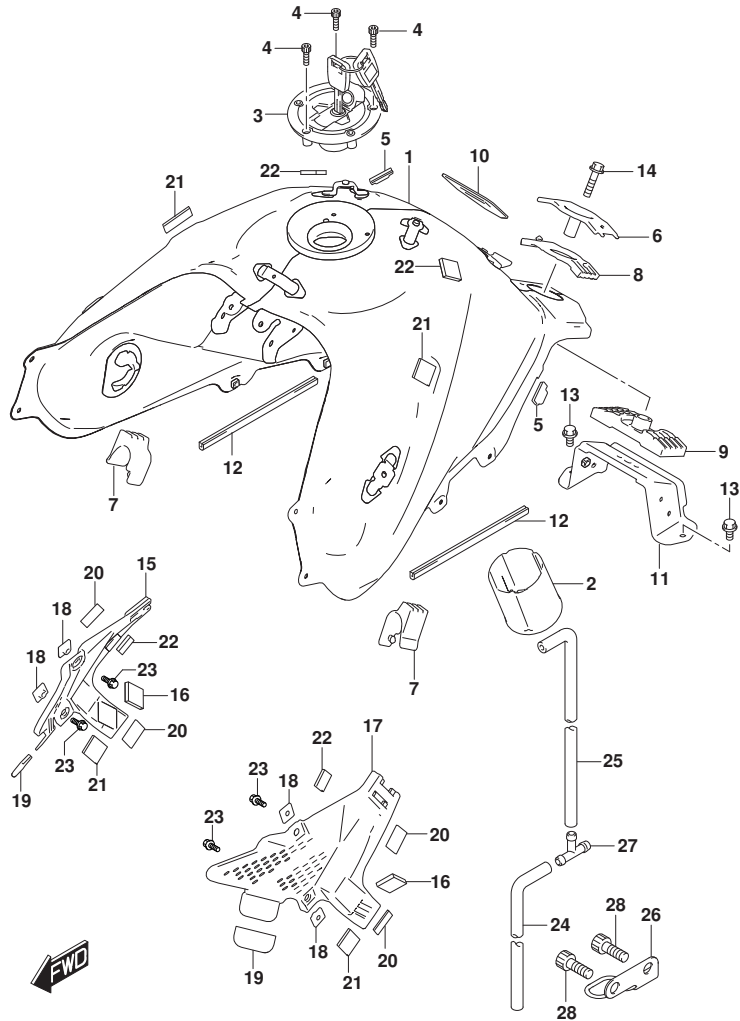


FIG.420B

FIG.420B (1-E-12) FUEL TANK (DL1050RC)

REF NO.	PART NO.	DESCRIPTION	Q'TY	REMARKS
1-1	44100-06L10-YVB	TANK ASSY,FUEL (BLACK)	1	FOR YVB
1-2	44100-06L10-YUH	TANK ASSY,FUEL (WHITE)	1	FOR B1F
1-3	44100-06L10-44X	TANK ASSY,FUEL (BLACK)	1	FOR BD7
1-4	44100-06L10-ACX	TANK ASSY,FUEL (BLACK)	1	FOR BT1
2-1	68110-06L00-AA3	.TAPE SET,FUEL TANK (GRAY,BLACK)	1	FOR YVB
2-2	68110-06L00-B1G	.TAPE SET,FUEL TANK	1	FOR B1F
2-3	68110-06L00-B8Y	.TAPE SET,FUEL TANK	1	FOR BD7
2-4	68110-06L00-BD7	.TAPE SET,FUEL TANK (GRAY,BLACK)	1	FOR BT1
3	44121-06L00-000	VESSEL,FUEL TANK INNER	1	
4	44200-17840-000	CAP SET,FUEL TANK FILLER	1	
5	44244-11J00-000	BOLT,FUEL TANK FILLER CAP	3	
6	44276-21H01-000	CUSHION,FUEL TANK COVER	2	
7	44530-06G00-000	BRACKET,FUEL TANK REAR UP	1	
8	44541-31J00-000	CUSHION,FUEL TANK SIDE	2	
9	44542-06G00-000	CUSHION,FUEL TANK REAR UPPER	1	
10	44545-06G00-000	CUSHION,FUEL TANK REAR LOWER	1	
11	44545-06L00-000	CUSHION,FUEL TANK RR	1	
12	44550-31J00-000	BRACKET,FUEL TANK REAR	1	
13	44552-24B00-000	MOLDING,FUEL TANK RR	2	
14	01550-0816A-000	BOLT	2	
15	01550-0835A-000	BOLT	1	
16	44179-06L00-000	BRKT,FUEL TANK COV SIDE RH	1	
17	44183-23H00-000	CUSHION,TANK SIDE COVER	2	
18	44189-06L00-000	BRKT,FUEL TANK COV SIDE LH	1	
19	44523-47H00-000	NUT (M6)	4	
20	44542-31J00-000	CUSHION,FUEL TANK COV BRKT	2	
21	44556-33H10-000	CUSHION,TANK COV BRKT NO.1	4	
22	44572-02F01-000	FASTENER (25X33X0.8)	4	
23	47163-10FA0-000	CUSHION (15X23X4)	4	
24	09103-06285-000	BOLT (6X12)	4	
25	44423-31J12-000	HOSE,FUEL TANK DRAIN NO.2	1	
26	44423-31J21-000	HOSE,FUEL TANK DRAIN NO.1	1	
27	09367-08005-000	3 WAY	1	

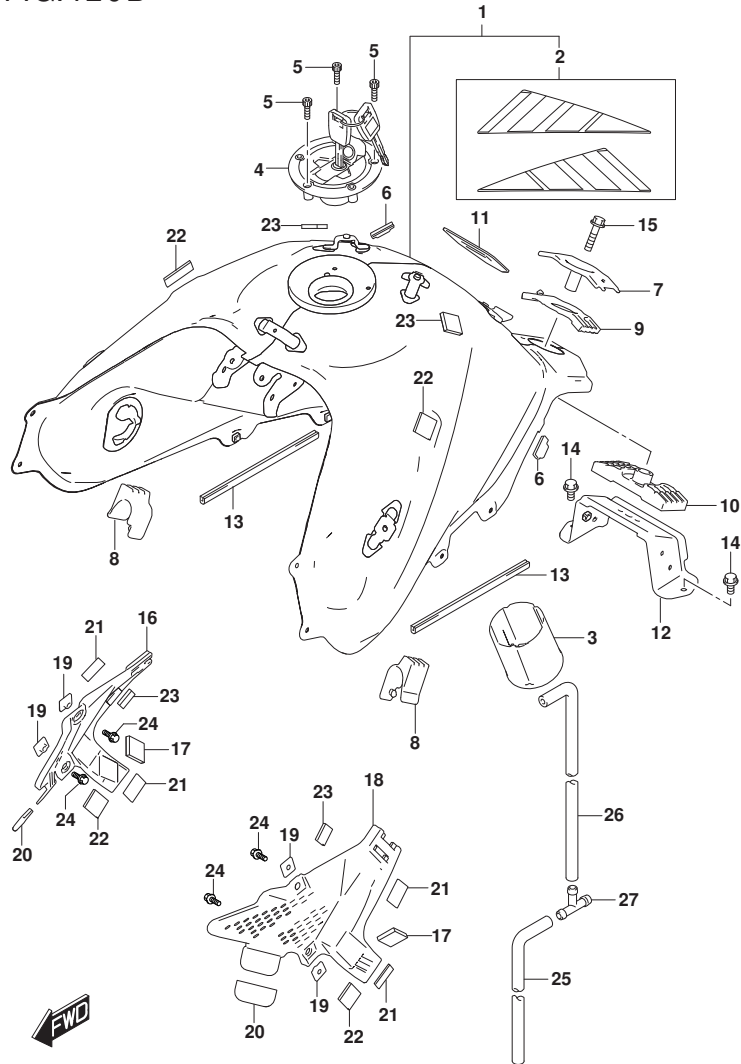


FIG.423A

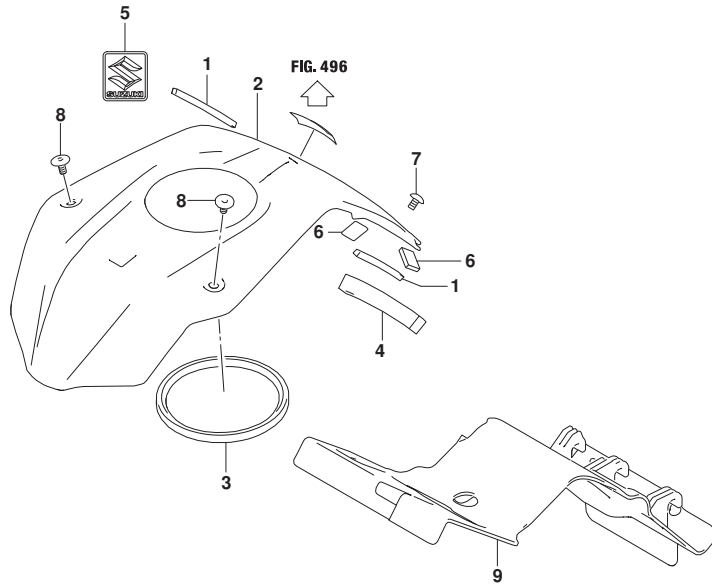


FIG.423A (1-E-13) FUEL TANK COVER

REF NO.	PART NO.	DESCRIPTION	Q'TY	REMARKS
1	44277-06L00-000	CUSHION,FUEL TANK COVER CTR	2	
2	44291-06L00-YKV	COVER,FUEL TANK CTR (BLACK)	1	
3	44295-07L01-000	RUBBER,FUEL TANK COVER	1	
4	44292-06L00-000	CUSHION,FUEL TANK REAR	1	
5	68281-47HA0-000	EMBLEM,S	1	
6	94642-10GA0-000	CUSHION,WINDSCREEN COVER (15X1 5X2)	2	
7	09139-06172-000	SCREW (6X10)	1	
8	09139-06229-000	SCREW (6X13)	2	
9	44271-06L00-000	SHEET,HEAT SHIELD RUBBER	1	



FIG.427B

FIG.427B (1-E-14) EVAP SYSTEM

REF NO.	PART NO.	DESCRIPTION	Q'TY	REMARKS
1	13685-06L00-000	JOINT,3 WAY	1	
2	18114-74P00-000	VALVE,CANISTER PURGE	1	
3	18560-04K01-000	CANISTER ASSY,CHARCOAL	1	
4	18561-06L00-000	HOSE,CSTR PURGE NO.1	1	
5	18561-06L10-000	HOSE,CSTR PURGE NO.2	1	
6	18562-06L00-000	HOSE,CSTR PURGE NO.3	2	
7	18563-06L10-000	HOSE,CSTR SURGE NO.2	1	
8	18563-06L20-000	HOSE,CSTR SURGE NO.1	1	
9	18572-06L00-000	BRACKET,CANISTER NO.1	1	
10	18572-13K00-000	CUSHION, CANISTER	1	
11	18573-06L00-000	BRACKET,CANISTER NO.2	1	
12	18575-06L00-000	BRACKET,PURGE VALVE	1	
13	18576-06L00-000	COVER,CANISTER	1	
14	09160-06125-000	WASHER (6.5X14X1.6)	1	
15	09160-06151-000	WASHER (6.5X18X1)	2	
16	09160-08114-000	WASHER (8.5X18X1.6)	2	
17	09320-06027-000	CUSHION (6.5X14X6)	1	
18	09320-08515-000	CUSHION	2	
19	09367-06009-000	JOINT	1	
20	09401-06101-000	CLIP (ID:6.5)	4	
21	09401-10401-000	CLIP	1	
22	09401-10409-000	CLIP (ID:10.5)	2	
23	09401-11413-000	CLIP (ID:11)	5	
24	07130-0620A-000	BOLT	1	
25	07130-0660B-000	BOLT	2	
26	08316-1006A-000	NUT	1	

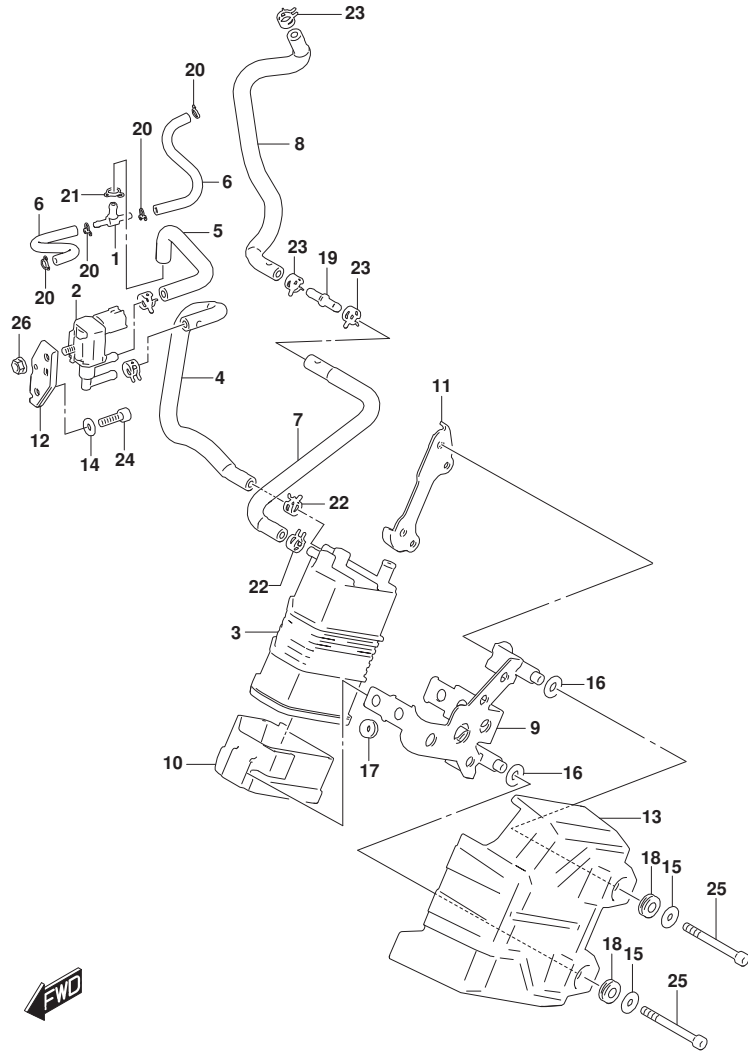


FIG.433A

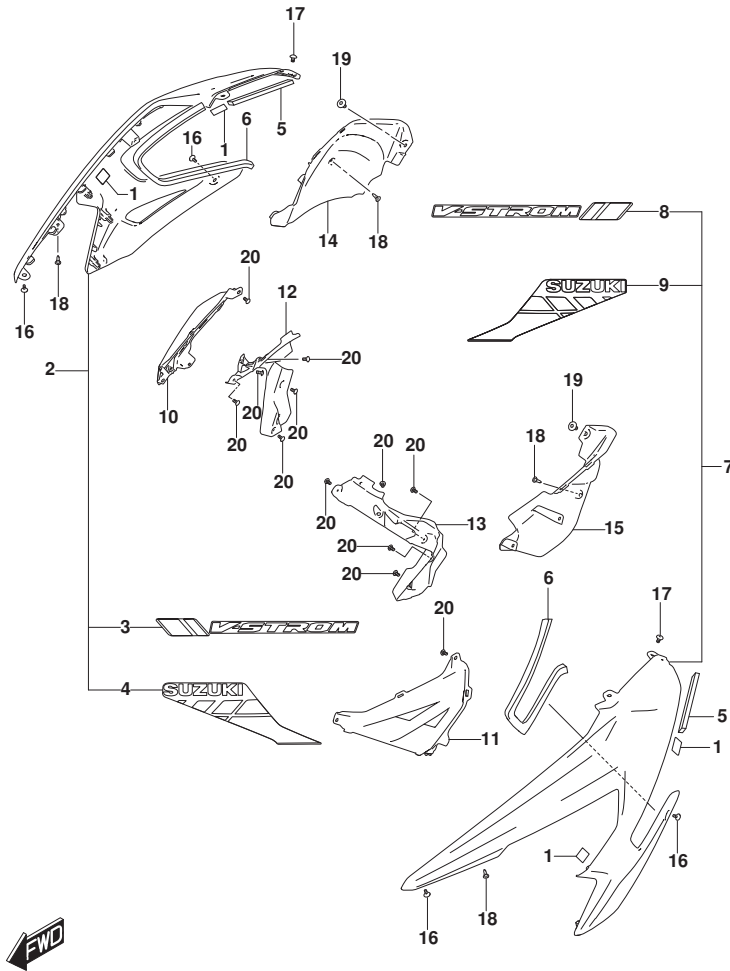


FIG.433A (1-E-15) SIDE COVER (DL1050RC)

REF NO.	PART NO.	DESCRIPTION	Q'TY	REMARKS
1	44572-13G10-000	FASTENER (33X25)	4	
2-1	94420-06L00-6UX	COVER,SIDE,R (BLACK)	1	FOR YVB
2-2	94420-06L00-QRE	COVER,SIDE,R (ORANGE)	1	FOR B1F
2-3	94420-06L00-QEB	COVER,SIDE,R (GRAY)	1	FOR BD7
2-4	94420-06L00-ZFX	COVER,SIDE,R (YELLOW)	1	FOR BT1
3-1	68271-06L00-B8Z	.EMBLEM,SIDE COVER,R	1	FOR YVB
3-2	68271-06L00-B4M	.EMBLEM,SIDE COVER RH	1	FOR B1F
3-3	68271-06L00-B81	.EMBLEM,SIDE COVER,R	1	FOR BD7
3-4	68271-06L00-B82	.EMBLEM,SIDE COVER,R	1	FOR BT1
4-1	68275-06L00-B8Z	.TAPE,COVER SIDE,R	1	FOR YVB
4-2	68275-06L00-B4M	.TAPE,COVER SIDE RH	1	FOR B1F
4-3	68275-06L00-B81	.TAPE,COVER SIDE,R	1	FOR BD7
4-4	68275-06L00-B82	.TAPE,COVER SIDE,R	1	FOR BT1
5	94425-06L00-000	CUSHION,SIDE COVER NO.1	2	
6	94426-06L00-000	CUSHION,SIDE COVER NO.2	2	
7-1	94430-06L00-6UX	COVER,SIDE,L (BLACK)	1	FOR YVB
7-2	94430-06L00-QRE	COVER,SIDE,L (ORANGE)	1	FOR B1F
7-3	94430-06L00-QEB	COVER,SIDE,L (GRAY)	1	FOR BD7
7-4	94430-06L00-ZFX	COVER,SIDE,L (YELLOW)	1	FOR BT1
8-1	68281-06L00-B8Z	.EMBLEM,SIDE COVER,L	1	FOR YVB
8-2	68281-06L00-B4M	.EMBLEM,SIDE COVER LH	1	FOR B1F
8-3	68281-06L00-B81	.EMBLEM,SIDE COVER,L	1	FOR BD7
8-4	68281-06L00-B82	.EMBLEM,SIDE COVER,L	1	FOR BT1
9-1	68285-06L00-B8Z	.TAPE,COVER SIDE	1	FOR YVB
9-2	68285-06L00-B4M	.TAPE,COVER SIDE LH	1	FOR B1F
9-3	68285-06L00-B81	.TAPE,COVER SIDE	1	FOR BD7
9-4	68285-06L00-B82	.TAPE,COVER SIDE	1	FOR BT1
10	94441-06L00-000	COVER,SIDE NO.2 RH	1	
11	94451-06L00-000	COVER,SIDE NO.2 LH	1	
12	94463-06L00-000	COVER,SIDE INNER LWR RH	1	
13	94464-06L00-000	COVER,SIDE INNER LWR LH	1	
14	94471-06L00-000	COVER,SIDE INNER UPR RH	1	
15	94481-06L00-000	COVER,SIDE INNER UPR LH	1	
16	09139-05091-000	SCREW (5X13)	4	
17	09139-06172-000	SCREW (6X10)	2	

FIG.433A

FIG.433A (1-E-16) SIDE COVER (DL1050RC)

REF NO.	PART NO.	DESCRIPTION	Q'TY	REMARKS
18	09409-06314-000	CLIP (5.9X20.5)	4	
19	09409-07333-000	CLIP (D:2.4,I:D:23.7)	2	
20	03541-0512B-000	SCREW	12	

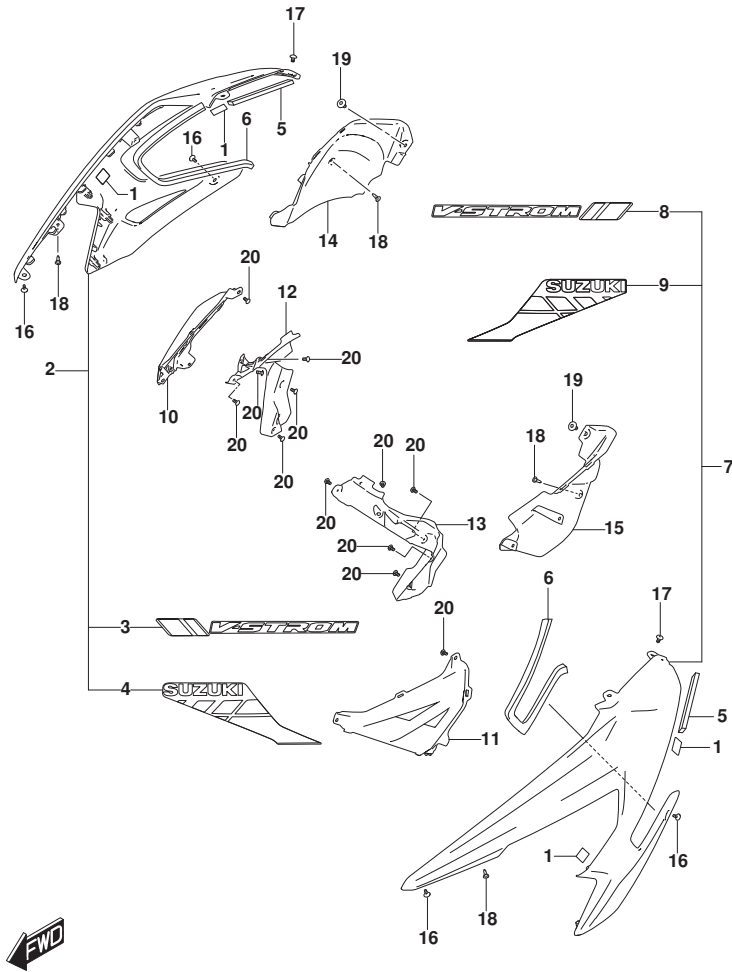


FIG.433B

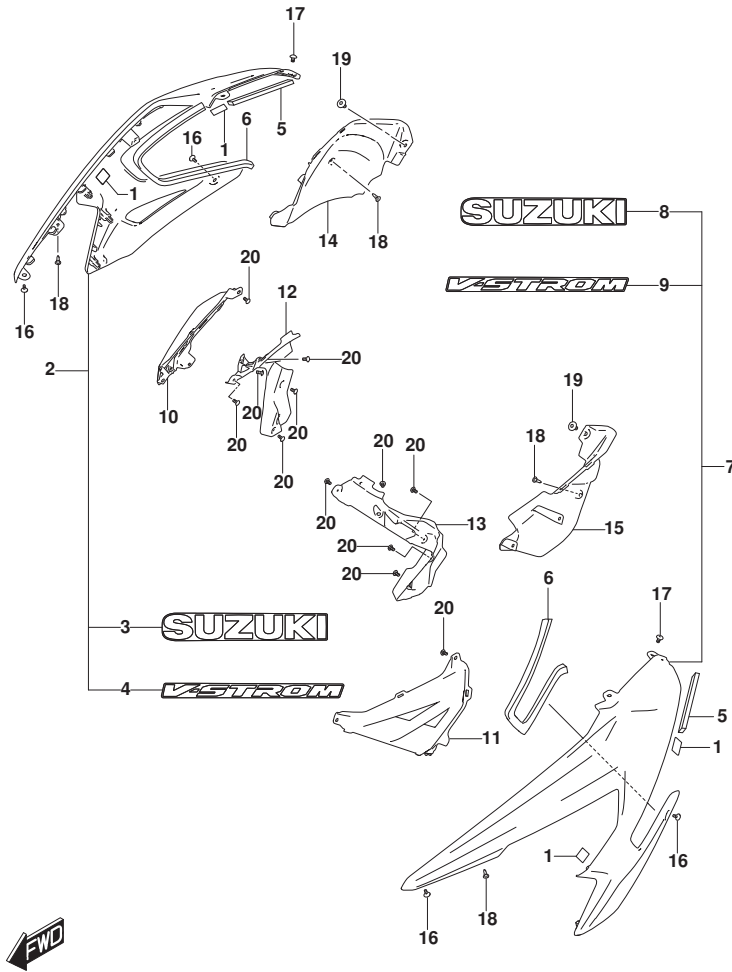


FIG.433B (1-F-2) SIDE COVER (DL1050RQ)

REF NO.	PART NO.	DESCRIPTION	Q'TY	REMARKS
1	44572-13G10-000	FASTENER (33X25)	4	
2-1	94420-06L10-YVB	COVER, SIDE RH (BLACK)	1	FOR YVB
2-2	94420-06L10-YYG	COVER, SIDE, R (RED)	1	FOR AV4
3-1	68181-06L00-BD7	.EMBLEM, "SUZUKI" RH (GRAY, BLAC K)	1	FOR YVB
3-2	68181-06L00-AV4	.EMBLEM, "SUZUKI", R (RED, BLACK)	1	FOR AV4
4-1	68271-06L10-B4H	.EMBLEM, SIDE COVER RH	1	FOR YVB
4-2	68271-06L10-A7Q	.EMBLEM, SIDE COVER, R (SILVER/B LACK/RED)	1	FOR AV4
5	94425-06L00-000	CUSHION, SIDE COVER NO.1	2	
6	94426-06L00-000	CUSHION, SIDE COVER NO.2	2	
7-1	94430-06L10-YVB	COVER, SIDE LH (BLACK)	1	FOR YVB
7-2	94430-06L10-YYG	COVER, SIDE, L (RED)	1	FOR AV4
8-1	68191-06L00-BD7	.EMBLEM, "SUZUKI" LH (GRAY, BLAC K)	1	FOR YVB
8-2	68191-06L00-AV4	.EMBLEM, "SUZUKI", L (RED, BLACK)	1	FOR AV4
9-1	68281-06L10-B4H	.EMBLEM, SIDE COVER LH	1	FOR YVB
9-2	68281-06L10-A7Q	.EMBLEM, SIDE COVER, L (SILVER/B LACK/RED)	1	FOR AV4
10	94441-06L00-000	COVER, SIDE NO.2 RH	1	
11	94451-06L00-000	COVER, SIDE NO.2 LH	1	
12	94463-06L00-000	COVER, SIDE INNER LWR RH	1	
13	94464-06L00-000	COVER, SIDE INNER LWR LH	1	
14	94471-06L00-000	COVER, SIDE INNER UPR RH	1	
15	94481-06L00-000	COVER, SIDE INNER UPR LH	1	
16	09139-05091-000	SCREW (5X13)	4	
17	09139-06172-000	SCREW (6X10)	2	
18	09409-06314-000	CLIP (5.9X20.5)	4	
19	09409-07333-000	CLIP (D:2.4, ID:23.7)	2	
20	03541-0512B-000	SCREW	12	

FIG.444A

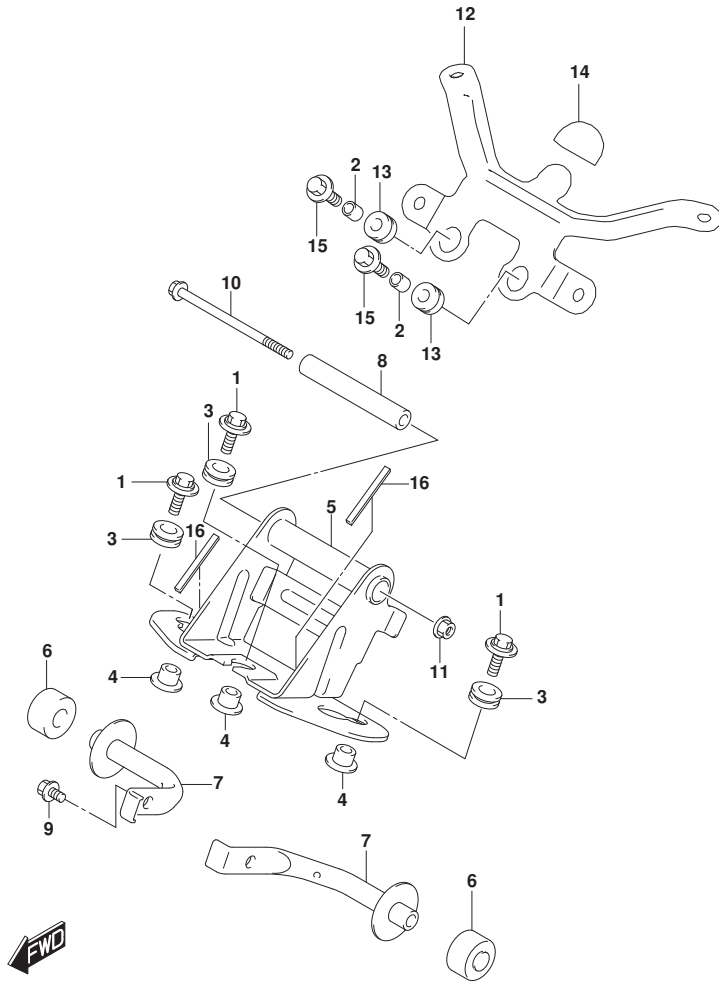


FIG.444A (1-F-3) FRONT BRACKET

REF NO.	PART NO.	DESCRIPTION	Q'TY	REMARKS
1	09118-06112-000	BOLT (6X30)	3	
2	09180-06264-000	SPACER (6.5X9X10.5)	2	
3	44511-16G01-000	CUSHION,FUEL TANK FRONT	3	
4	44512-16G00-000	SPACER,FUEL TANK,FR	3	
5	44520-31J01-000	BRACKET,FUEL TANK FRONT	1	
6	44543-31J01-000	CUSHION,FRONT SIDE BRKT	2	
7	44560-31J00-000	BRACKET,FRONT SIDE	2	
8	44561-35F00-000	SPACER,FUEL TANK	1	
9	01550-0616A-000	BOLT	1	
10	01550-0695A-000	BOLT	1	
11	08319-3106A-000	NUT	1	
12	44160-06L00-000	BRACKET,FRONT COVER	1	
13	44164-31J01-000	CUSHION,FUEL TANK COVER BRKT	2	
14	44542-06L00-000	CUSHION,FR COVER BRKT	1	
15	09116-06009-000	BOLT (6X20)	2	
16	13623-48B00-000	MOLDING (L:48)	2	

FIG.445A

FIG.445A (1-F-4) FRAME COVER (DL1050RC)

REF NO.	PART NO.	DESCRIPTION	Q'TY	REMARKS
1	44173-14J00-000	CUSHION,FUEL TANK COVER SIDE	2	
2	45148-27J00-000	CUSHION,SEAT MOUNT	2	
3-1	47111-06L10-000	COVER,FRAME FRONT RH	1	FOR YVB,BD7,BT1
3-2	47111-06L00-YUH	COVER,FRAME FRONT RH (WHITE)	1	FOR B1F
4	47121-06L00-000	PROTECTOR,FRAME COVER RH	1	FOR B1F
5	47131-06L00-000	CUSHION,FRAME COVER FR RR	2	
6-1	47211-06L10-000	COVER,FRAME FRONT LH	1	FOR YVB,BD7,BT1
6-2	47211-06L00-YUH	COVER,FRAME FRONT LH (WHITE)	1	FOR B1F
7	47221-06L00-000	PROTECTOR,FRAME COVER LH	1	FOR B1F
8-1	47310-06L00-6UX	COVER,FRAME,R (BLACK)	1	FOR YVB
8-2	47310-06L00-QRE	COVER,FRAME,R (ORANGE)	1	FOR B1F
8-3	47310-06L00-QEB	COVER,FRAME,R (GRAY)	1	FOR BD7
8-4	47310-06L00-ZFX	COVER,FRAME,R (YELLOW)	1	FOR BT1
9-1	68135-06L00-B8Z	.TAPE,FRAME COVER,R	1	FOR YVB
9-2	68135-06L00-B4M	.TAPE,FRAME COVER RH	1	FOR B1F
9-3	68135-06L00-B81	.TAPE,FRAME COVER,R	1	FOR BD7
9-4	68135-06L00-B82	.TAPE,FRAME COVER,R	1	FOR BT1
10	47312-06L00-000	CUSHION,FRM COV SIDE NO.5	2	
11-1	47350-06L00-6UX	COVER,FRAME,L (BLACK)	1	FOR YVB
11-2	47350-06L00-QRE	COVER,FRAME,L (ORANGE)	1	FOR B1F
11-3	47350-06L00-QEB	COVER,FRAME,L (GRAY)	1	FOR BD7
11-4	47350-06L00-ZFX	COVER,FRAME,L (YELLOW)	1	FOR BT1
12-1	68145-06L00-B8Z	.TAPE,FRAME COVER,L	1	FOR YVB
12-2	68145-06L00-B4M	.TAPE,FRAME COVER LH	1	FOR B1F
12-3	68145-06L00-B81	.TAPE,FRAME COVER,L	1	FOR BD7
12-4	68145-06L00-B82	.TAPE,FRAME COVER,L	1	FOR BT1
13	47510-06L00-000	BRKT,SIDE CASE UPR RH	1	
14	47811-06L00-000	.BUSH,SIDE CASE BRKT FR RH	1	
15	47911-06L00-000	.BUSH,SIDE CASE BRKT RR RH	1	
16	47510-28K00-000	SPACER,FRAME COVER	2	
17	47610-06L00-000	BRKT,SIDE CASE UPR LH	1	
18	47812-06L00-000	.BUSH,SIDE CASE BRKT FR LH	1	
19	47912-06L00-000	.BUSH,SIDE CASE BRKT RR LH	1	
20-1	47711-06L00-YVB	COVER,FRAME CTR (BLACK)	1	FOR YVB
20-2	47711-06L00-QRE	COVER,FRAME CTR (ORANGE)	1	FOR B1F

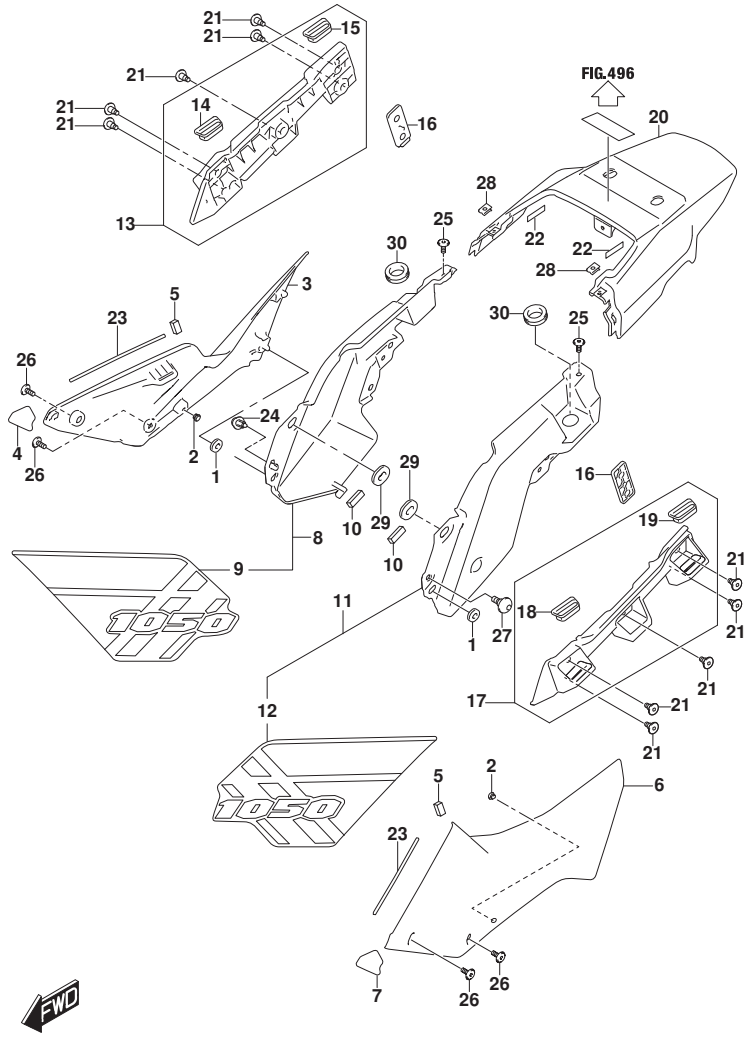


FIG.445A

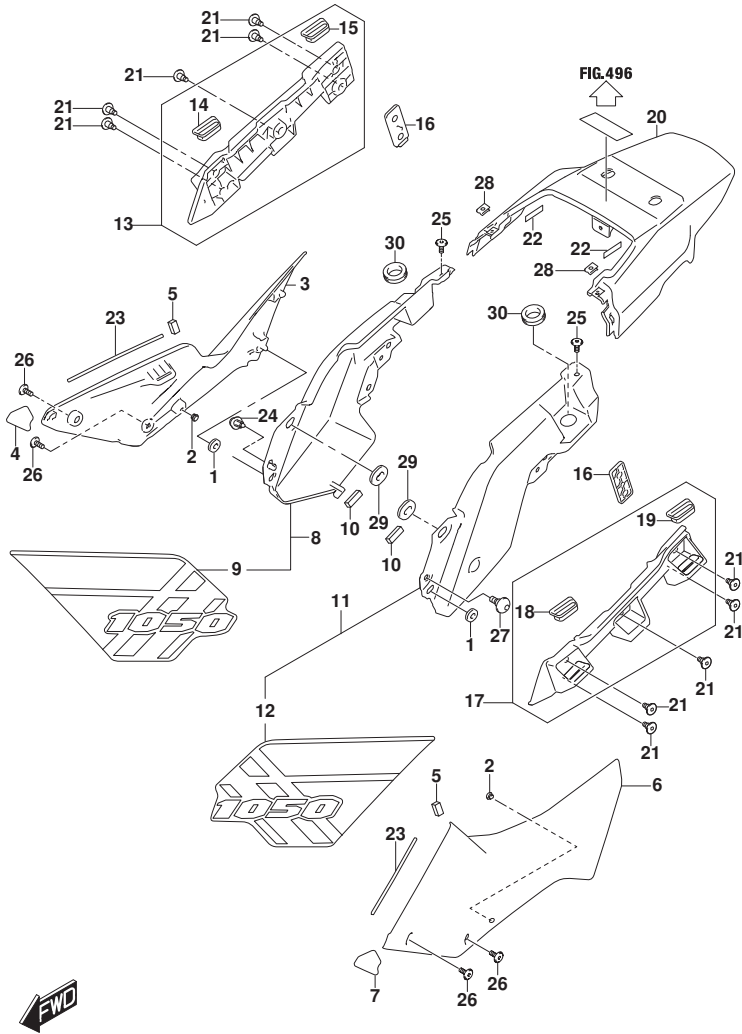


FIG.445A (1-F-5) FRAME COVER (DL1050RC)

REF NO.	PART NO.	DESCRIPTION	Q'TY	REMARKS
20-3	47711-06L00-QEB	COVER,FRAME CTR (GRAY)	1	FOR BD7
20-4	47711-06L00-YU1	COVER,FRAME CTR (YELLOW)	1	FOR BT1
21	47913-06L00-000	SCREW	10	
22	94415-40F00-000	TAPE,ABS UNIT HOLDER	2	
23	94417-24F00-000	CUSHION,FRAME COVER	2	
24	94479-35F00-000	CLIP	1	
25	09139-05091-000	SCREW (5X13)	2	
26	09139-05091-000	SCREW (5X13)	4	
27	09139-06169-000	SCREW (6X16)	1	
28	09148-05052-000	NUT (M5)	2	
29	09320-08029-000	CUSHION	2	
30	09320-20011-000	CUSHION (20X32X9)	2	

FIG.445B

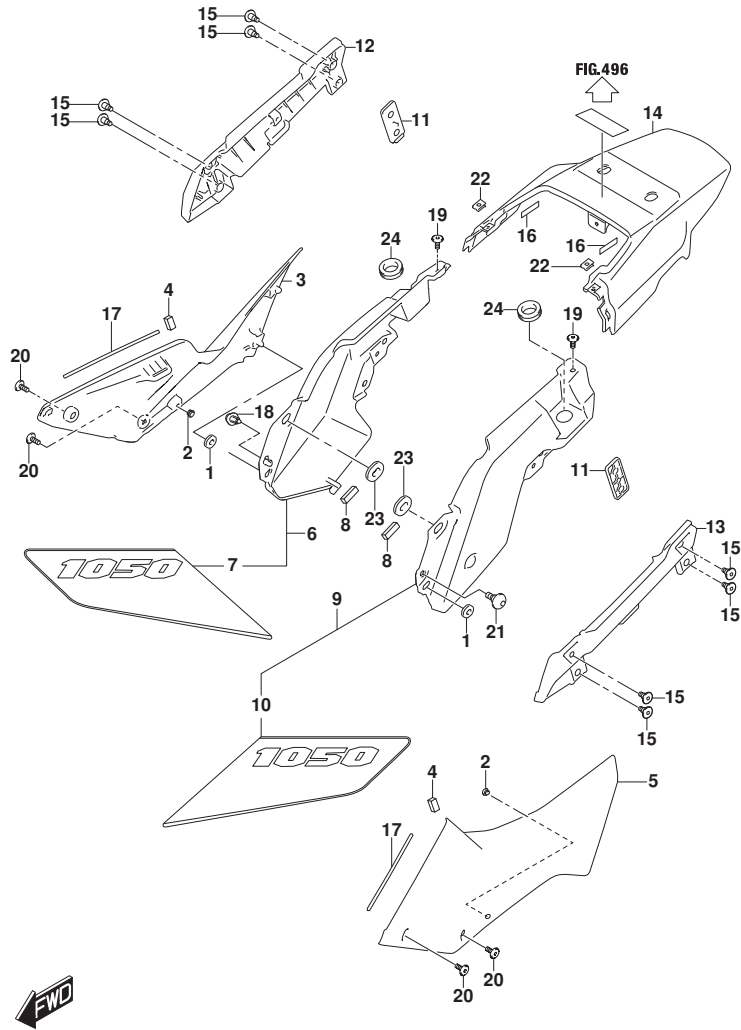


FIG.445B (1-F-6) FRAME COVER (DL1050RQ)

REF NO.	PART NO.	DESCRIPTION	Q'TY	REMARKS
1	44173-14J00-000	CUSHION,FUEL TANK COVER SIDE	2	
2	45148-27J00-000	CUSHION,SEAT MOUNT	2	
3	47111-06L10-000	COVER,FRAME FRONT RH	1	
4	47131-06L00-000	CUSHION,FRAME COVER FR RR	2	
5	47211-06L10-000	COVER,FRAME FRONT LH	1	
6-1	47310-06L10-B4X	COVER,FRAME,R (BLACK)	1	FOR YVB
6-2	47310-06L10-B5X	COVER,FRAME,R (BLACK)	1	FOR AV4
7-1	68135-06L10-B4Q	.TAPE,FRAME COVER RH	1	FOR YVB
7-2	68135-06L10-B83	.TAPE,FRAME COVER,R	1	FOR AV4
8	47312-06L00-000	CUSHION,FRM COV SIDE NO.5	2	
9-1	47350-06L10-B4X	COVER,FRAME,L (BLACK)	1	FOR YVB
9-2	47350-06L10-B5X	COVER,FRAME,L (BLACK)	1	FOR AV4
10-1	68145-06L10-B4Q	.TAPE,FRAME COVER LH	1	FOR YVB
10-2	68145-06L10-B83	.TAPE,FRAME COVER,L	1	FOR AV4
11	47510-28K00-000	SPACER,FRAME COVER	2	
12	47511-06L10-000	COVER,FRAME REAR RH	1	
13	47611-06L10-000	COVER,FRAME REAR LH	1	
14	47711-06L10-YGS	COVER,FRAME CENTER (BLACK)	1	
15	47913-06L00-000	SCREW	8	
16	94415-40F00-000	TAPE,ABS UNIT HOLDER	2	
17	94417-24F00-000	CUSHION,FRAME COVER	2	
18	94479-35F00-000	CLIP	1	
19	09139-05091-000	SCREW (5X13)	2	
20	09139-05091-000	SCREW (5X13)	4	
21	09139-06169-000	SCREW (6X16)	1	
22	09148-05052-000	NUT (M5)	2	
23	09320-08029-000	CUSHION	2	
24	09320-20011-000	CUSHION (20X32X9)	2	

FIG.454A

FIG.454A (1-F-7) WINDSCREEN (DL1050RC)

REF NO.	PART NO.	DESCRIPTION	Q'TY	REMARKS
1	44885-44AA0-000	CUSHION	1	
2	48411-06L00-000	WINDSCREEN	1	
3	48416-06L00-000	CUSHION,WINDSCREEN NO.3	3	
4	09139-06206-000	SCREW (6X20)	4	
5	09320-09016-000	CUSHION (9X18X9.5)	4	
6	44294-43H11-000	CUSHION,FUEL TANK COVER	2	
7	48412-06L00-000	COVER,WINDSCREEN	1	
8	48413-06L00-000	COVER,LOCK WINDSCREEN	1	
9	09409-06329-000	CLIP	4	
10	47161-26J00-000	CUSHION,FRAME COVER	2	
11	48421-06L00-000	BRACE,WINDSCREEN RH	1	
12	48422-06L00-000	SLIDER,WINDSCREEN FR RH	1	
13	48423-06L00-000	SLIDER,WINDSCREEN REAR RH	1	
14	48431-06L00-000	BRACE,WINDSCREEN LH	1	
15	48432-06L00-000	SLIDER,WINDSCREEN FR LH	1	
16	48433-06L00-000	SLIDER,WINDSCREEN REAR LH	1	
17	48441-06L00-000	ROD,WINDSCREEN BRACE	1	
18	48442-06L00-000	BOLT,WINDSCREEN BRACE ROD	2	
19	48451-06L00-000	BRACKET,WINDSCREEN FRONT	2	
20	48452-06L00-000	NUT,WINDSCREEN	4	
21	48454-06L00-000	O-RING,WINDSCREEN	4	
22	48461-06L00-000	BRACKET,WINDSCREEN REAR	2	
23	09106-08167-000	BOLT (8X20)	4	
24	09409-06329-000	CLIP	2	
25	48453-06L00-000	NUT,WINDSCREEN	1	
26	48462-06L00-000	STOPPER,LOCK SCREEN UPR NO.1	1	
27	48463-06L00-000	STOPPER,LOCK SCREEN UPR NO.2	1	
28	48464-06L00-000	STOPPER,LOCK SCREEN LWR	1	
29	48465-06L00-000	SLIDER,LOCK SCREEN	1	
30	48466-06L00-000	CUSHION,LOCK SCREEN	1	
31	48467-06L00-000	SLIDER,LOCK SCREEN LWR	1	
32	48471-06L00-000	BOLT,WINDSCREEN CTR	1	
33	48472-06L00-000	LEVER,WINDSCREEN	1	
34	48473-06L00-000	HINGE,WINDSCREEN LEVER	1	
35	48474-06L00-000	SPRING,WINDSCREEN	1	

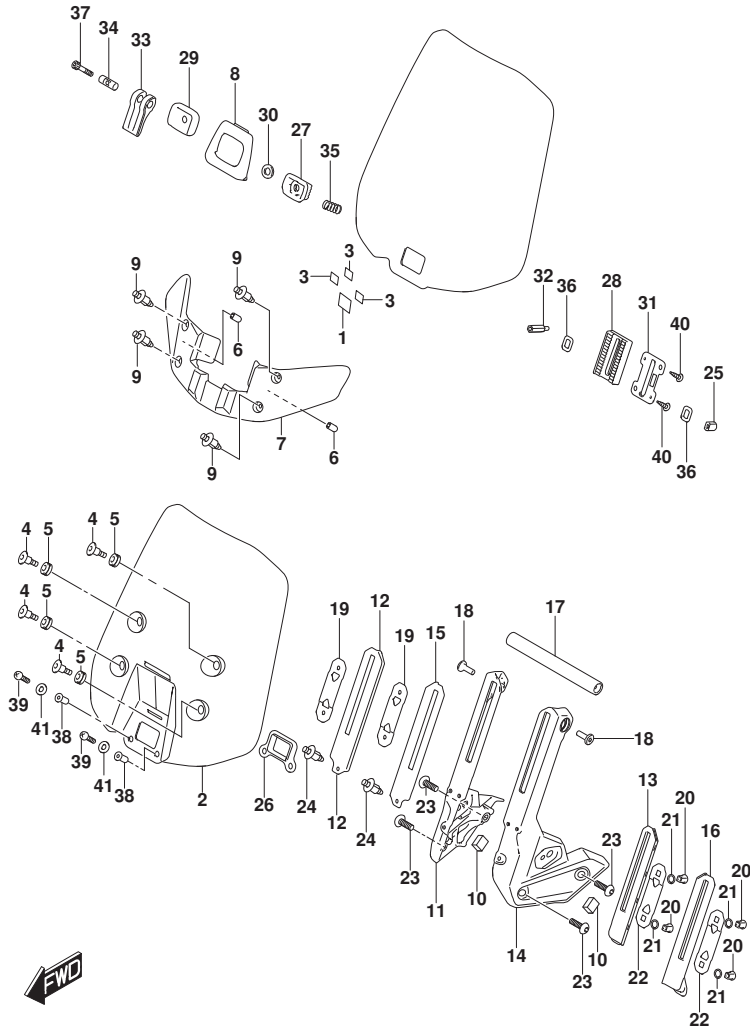


FIG.454A

FIG.454A (1-F-8) WINDSCREEN (DL1050RC)

REF NO.	PART NO.	DESCRIPTION	Q'TY	REMARKS
36	48475-06L00-000	PLATE,WINDSCREEN	2	
37	09106-06090-000	BOLT (6X25)	1	
38	09159-05045-000	NUT	2	
39	02142-0520A-000	SCREW	2	
40	03541-0512A-000	SCREW	2	
41	08322-0105A-000	WASHER	2	

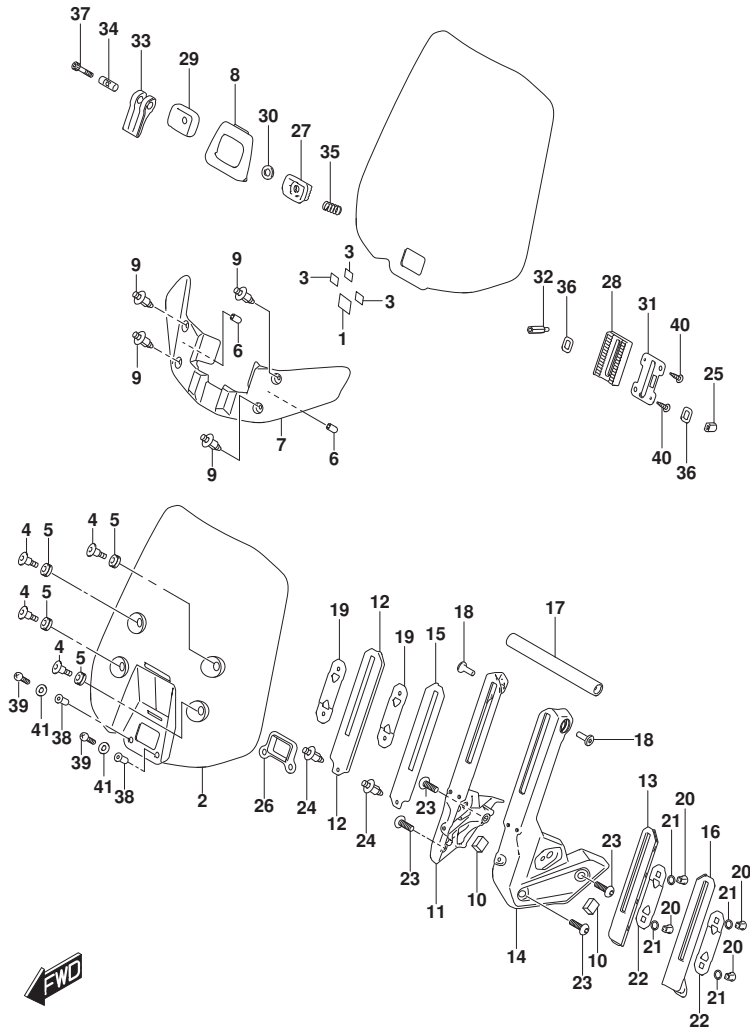


FIG.454B

FIG.454B (1-F-9) WINDSCREEN (DL1050RQ)

REF NO.	PART NO.	DESCRIPTION	Q'TY	REMARKS
1	47122-17K00-000	CUSHION,FRAME COVER NO.2 (8X50 X8)	1	
2	48411-06L00-000	WINDSCREEN	1	
3	48415-06L00-000	SCREW,WINDSCREEN	4	
4	09320-09016-000	CUSHION (9X18X9.5)	4	
5	44294-43H11-000	CUSHION,FUEL TANK COVER	2	
6	48412-06L10-000	COVER,WINDSCREEN	1	
7	48413-06L10-000	COVER,LOCK WINDSCREEN	1	
8	09409-06329-000	CLIP	4	
9	03541-0512A-000	SCREW	2	
10	47161-26J00-000	CUSHION,FRAME COVER	2	
11	48421-06L10-000	BRACE,WINDSCREEN RH	1	
12	48422-06L00-000	SLIDER,WINDSCREEN FR RH	1	
13	48423-06L10-000	SLIDER,WINDSCREEN RR RH	1	
14	48431-06L10-000	BRACE,WINDSCREEN LH	1	
15	48432-06L00-000	SLIDER,WINDSCREEN FR LH	1	
16	48433-06L10-000	SLIDER,WINDSCREEN RR LH	1	
17	48441-06L00-000	ROD,WINDSCREEN BRACE	1	
18	48442-06L00-000	BOLT,WINDSCREEN BRACE ROD	2	
19	48452-06L00-000	NUT,WINDSCREEN	4	
20	09106-08167-000	BOLT (8X20)	4	
21	09169-07007-000	WASHER	4	
22	09409-06329-000	CLIP	2	

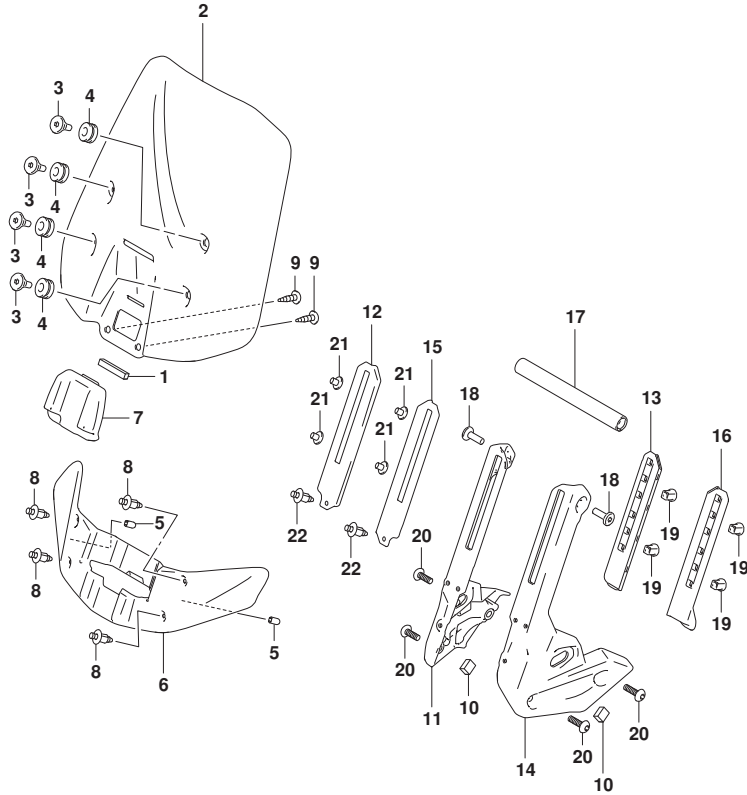


FIG.460C

FIG.460C (1-F-10) FRONT FENDER

REF NO.	PART NO.	DESCRIPTION	QTY	REMARKS
1	53110-31J01-000	FENDER,FRONT	1	
2	47915-31J00-000	SCREW (6X16)	4	
3	35950-13K01-000	REFLEX REFLECTOR ASSY,FR SIDE	2	
4	09119-06109-000	BOLT	2	
5	09160-08043-000	WASHER (8.5X18X1.0)	2	

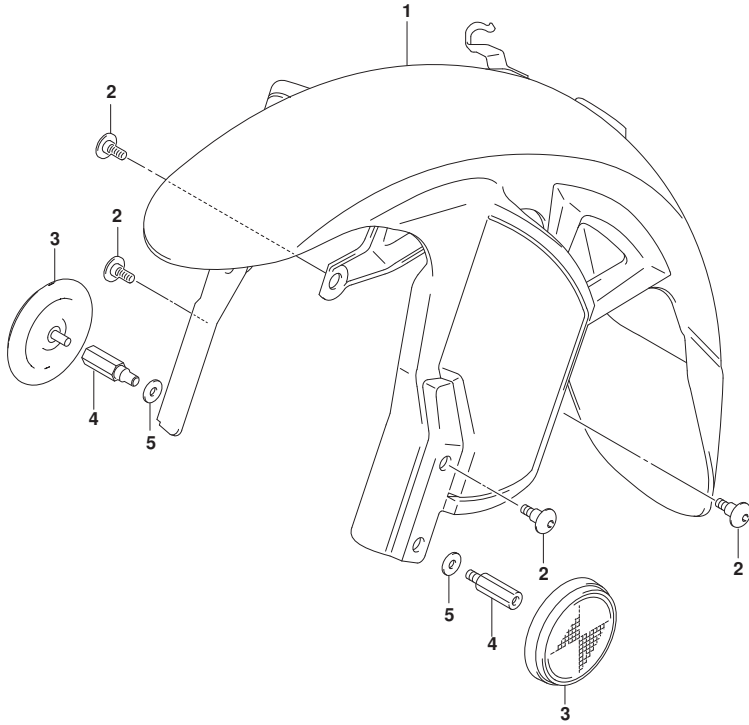


FIG.462B

FIG.462B (1-F-11) HANDLEBAR (DL1050RQ)

REF NO.	PART NO.	DESCRIPTION	Q'TY	REMARKS
1	56111-06L00-000	HANDLEBAR	1	
2	56270-04F21-000	BALANCER ASSY,HANDLEBAR	2	
3	56500-04F30-000	MIRROR ASSY,RR VIEW RH	1	
4	56600-04F30-000	MIRROR ASSY,RR VIEW LH	1	

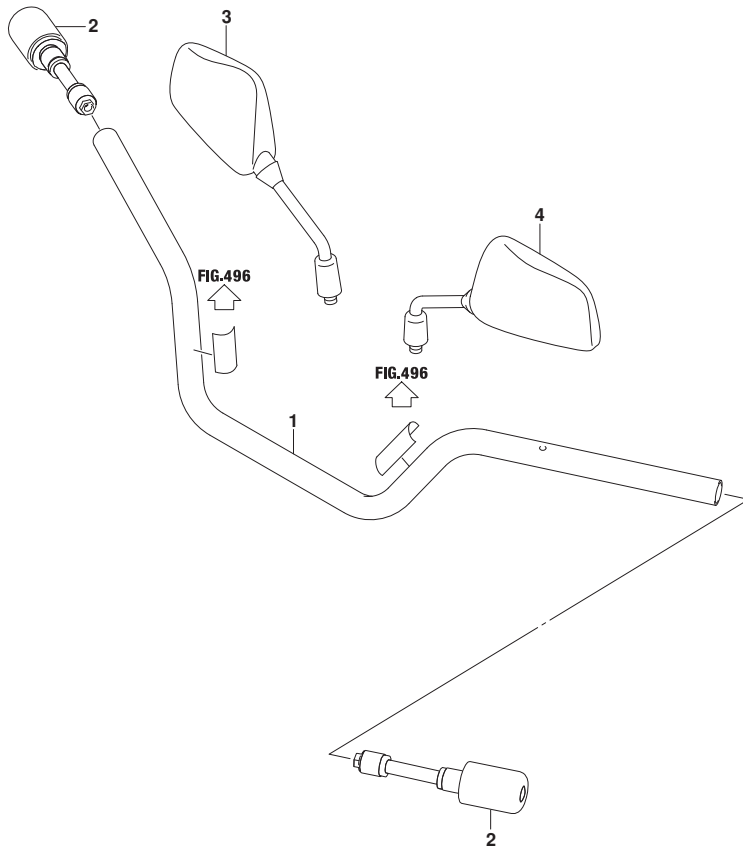


FIG.462D

FIG.462D (1-F-12) HANDLEBAR (DL1050RC)

REF NO.	PART NO.	DESCRIPTION	Q'TY	REMARKS
1	56111-06L00-000	HANDLEBAR	1	
2	56270-04FA1-000	BALANCER ASSY,HANDLEBAR	2	
3	56500-06L00-000	MIRROR ASSY,REAR VIEW RH	1	
4	56600-06L00-000	MIRROR ASSY,REAR VIEW LH	1	

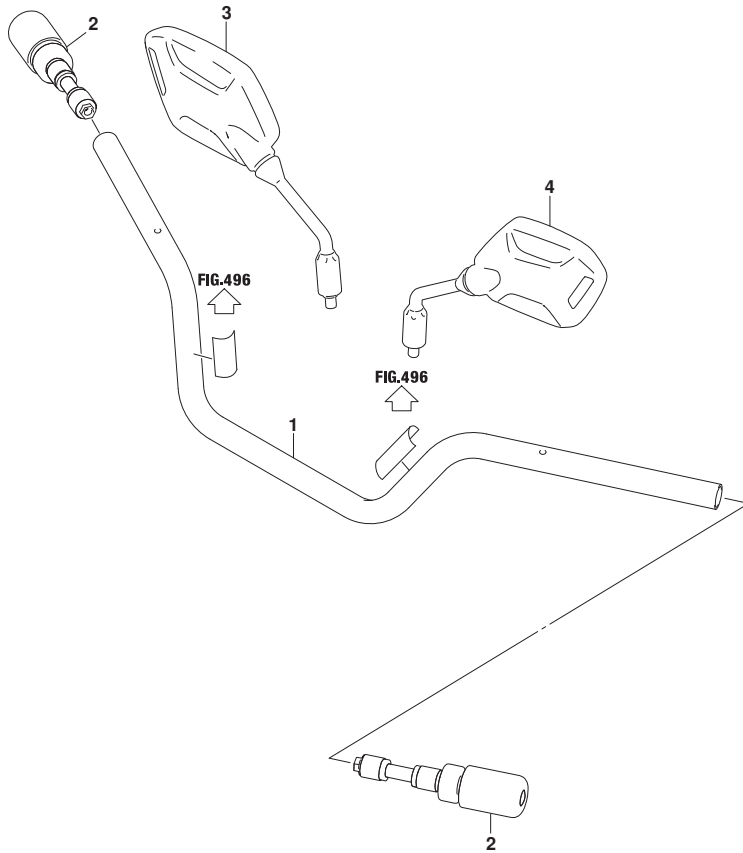


FIG.467A

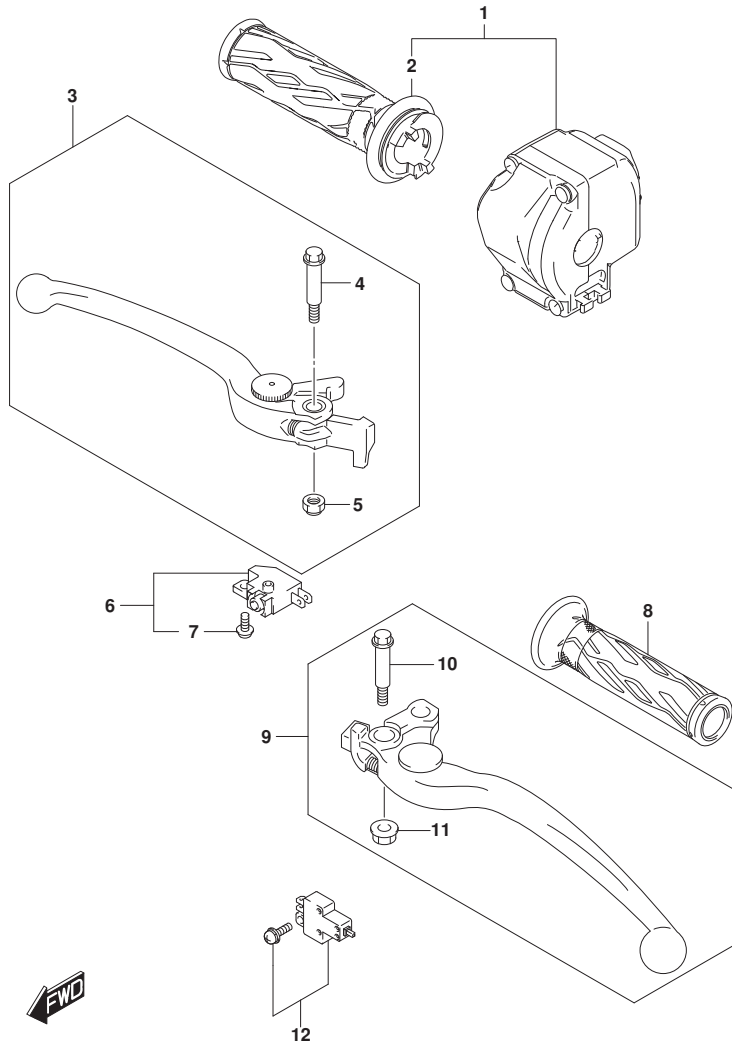


FIG.467A (1-F-13) HANDLE LEVER (DL1050RC)

REF NO.	PART NO.	DESCRIPTION	Q'TY	REMARKS
1	57100-06L00-000	GRIP ASSY, THROTTLE	1	
2	57110-06L00-000	.GRIP, THROTTLE	1	
3	57300-10G40-000	LEVER ASSY, FRONT BRAKE	1	
4	57431-17H02-000	.BOLT, LEVER PIVOT	1	
5	08319-2106A-000	.NUT	1	
6	57460-14J02-000	SWITCH ASSY, FRONT BRAKE	1	
7	57465-17C00-000	.SCREW	1	
8	57211-21H01-000	GRIP LH	1	
9	57500-24F40-000	LEVER ASSY, CLUTCH	1	
10	57431-17H02-000	.BOLT, LEVER PIVOT	1	
11	57442-14500-000	.NUT, LEVER PIVOT	1	
12	57560-02FA0-000	SWITCH ASSY, CLUTCH	1	

FIG.467B

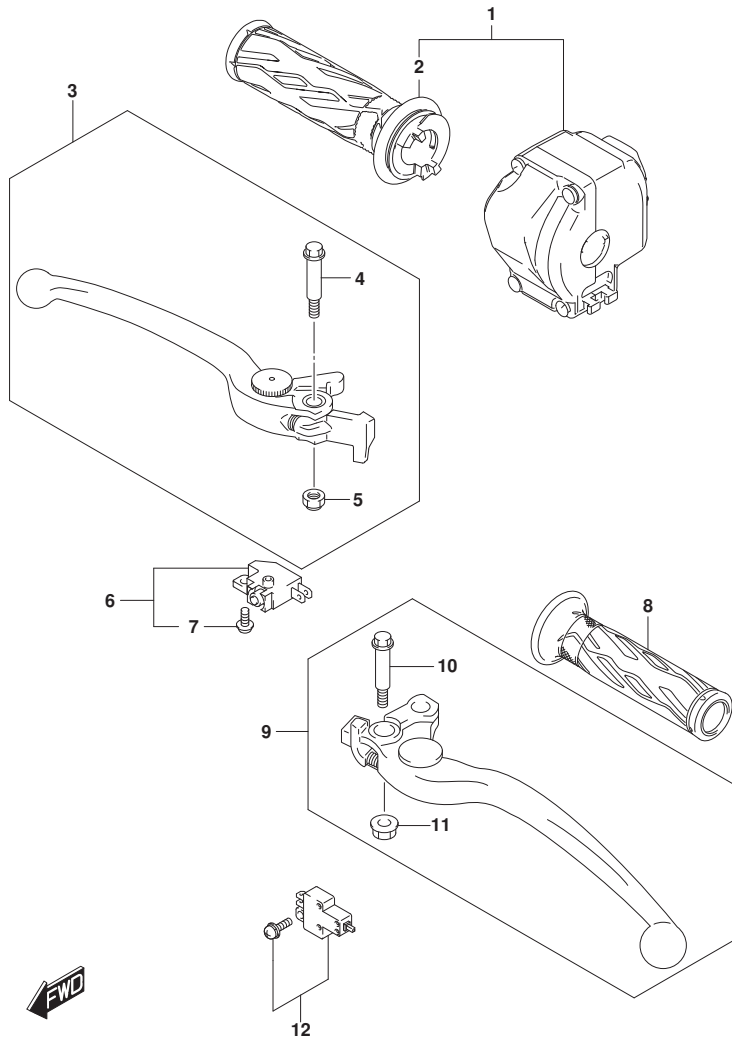


FIG.467B (1-F-14) HANDLE LEVER (DL1050RQ)

REF NO.	PART NO.	DESCRIPTION	Q'TY	REMARKS
1	57100-06L10-000	GRIP ASSY, THROTTLE	1	
2	57110-06L00-000	.GRIP, THROTTLE	1	
3	57300-10G32-000	LEVER ASSY, FR BRAKE	1	
4	57431-17H02-000	.BOLT, LEVER PIVOT	1	
5	08319-2106A-000	.NUT	1	
6	57460-14J02-000	SWITCH ASSY, FRONT BRAKE	1	
7	57465-17C00-000	.SCREW	1	
8	57211-21H01-000	GRIP LH	1	
9	57500-24F22-000	LEVER ASSY, CLUTCH	1	
10	57431-17H02-000	.BOLT, LEVER PIVOT	1	
11	08316-1606B-000	.NUT	1	
12	57560-02FA0-000	SWITCH ASSY, CLUTCH	1	

FIG.472A

FIG.472A (1-F-15) KNUCKLE COVER (DL1050RC)

REF NO.	PART NO.	DESCRIPTION	Q'TY	REMARKS
1	57341-06L00-000	COVER,KNUCKLE RH	1	
2	57342-06L00-000	BRACKET,KNUCKLE COVER RH	1	
3	57541-06L00-000	COVER,KNUCKLE LH	1	
4	57542-06L00-000	BRACKET,KNUCKLE COVER LH	1	
5	09139-05092-000	SCREW (5X13)	4	
6	09148-05052-000	NUT (M5)	4	
7	09321-06026-000	CUSHION	1	
8	09321-06033-000	CUSHION	1	

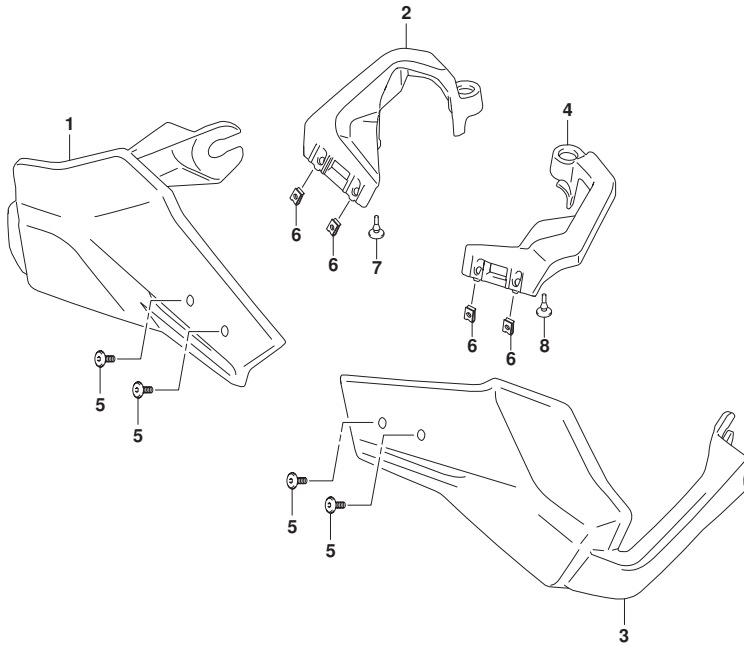


FIG.474A

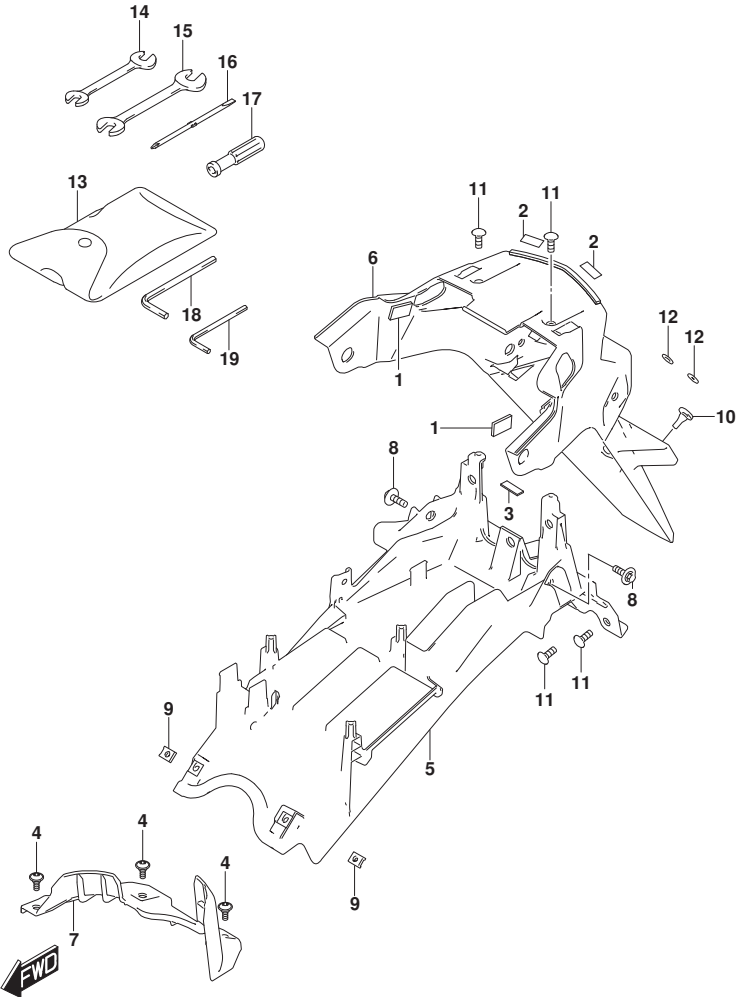


FIG.474A (1-F-16) REAR FENDER (DL1050RC)

REF NO.	PART NO.	DESCRIPTION	Q'TY	REMARKS
1	33652-21G00-000	CUSHION (10X20X5)	2	
2	36920-37H00-000	PROTECTOR, WIRING HARNESS (10X2 5X0.13)	2	
3	44281-18K01-000	CUSHION, FUEL TANK COVER	1	
4	47912-31J00-000	SCREW (5X13)	3	
5	63111-06L00-000	FENDER, REAR FRONT	1	
6	63112-06L01-000	FENDER, REAR REAR	1	
7	63411-06L00-000	MUDGUARD, REAR FENDER	1	
8	09116-06165-000	BOLT (6X16)	2	
9	09148-05052-000	NUT (M5)	2	
10	09321-06026-000	CUSHION	1	
11	03541-0616B-000	SCREW	4	
12	08322-0106B-000	WASHER	2	
13	09811-00309-000	TOOL BAG	1	
14	09813-00030-000	SPANNER, OPEN (10X12)	1	
15	09813-00031-000	SPANNER, OPEN (14X17)	1	
16	09814-00015-000	DRIVER,	1	
17	09814-00016-000	GRIP, DRIVER	1	
18	09816-00059-000	SPANNER, HEXAGON (5)	1	
19	09816-00103-000	SPANNER, HEXAGON (4)	1	

FIG.474B

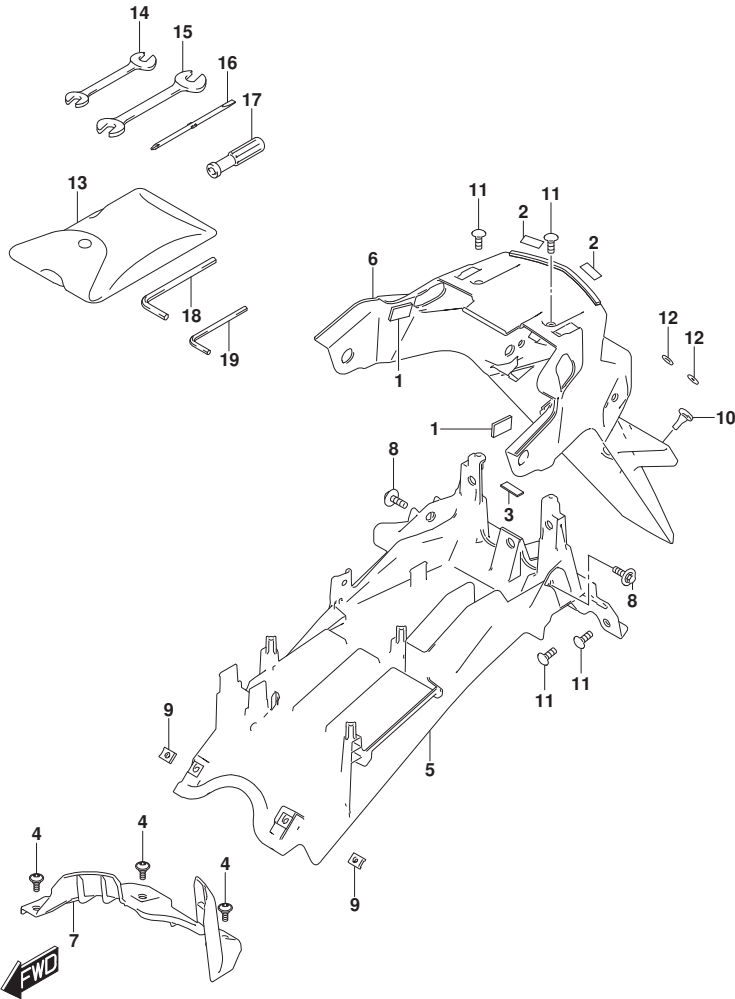


FIG.474B (1-G-2) REAR FENDER (DL1050RQ)

REF NO.	PART NO.	DESCRIPTION	Q'TY	REMARKS
1	33652-21G00-000	CUSHION (10X20X5)	2	
2	36920-37H00-000	PROTECTOR, WIRING HARNESS (10X2 5X0.13)	2	
3	44281-18K01-000	CUSHION, FUEL TANK COVER	1	
4	47912-31J00-000	SCREW (5X13)	3	
5	63111-06L00-000	FENDER, REAR FRONT	1	
6	63112-06L11-000	FENDER, REAR REAR	1	
7	63411-06L00-000	MUDGUARD, REAR FENDER	1	
8	09116-06165-000	BOLT (6X16)	2	
9	09148-05052-000	NUT (M5)	2	
10	09321-06026-000	CUSHION	1	
11	03541-0616B-000	SCREW	4	
12	08322-0106B-000	WASHER	2	
13	09811-00309-000	TOOL BAG	1	
14	09813-00030-000	SPANNER, OPEN (10X12)	1	
15	09813-00031-000	SPANNER, OPEN (14X17)	1	
16	09814-00015-000	DRIVER,	1	
17	09814-00016-000	GRIP, DRIVER	1	
18	09816-00059-000	SPANNER, HEXAGON (5)	1	
19	09816-00103-000	SPANNER, HEXAGON (4)	1	

FIG.481A

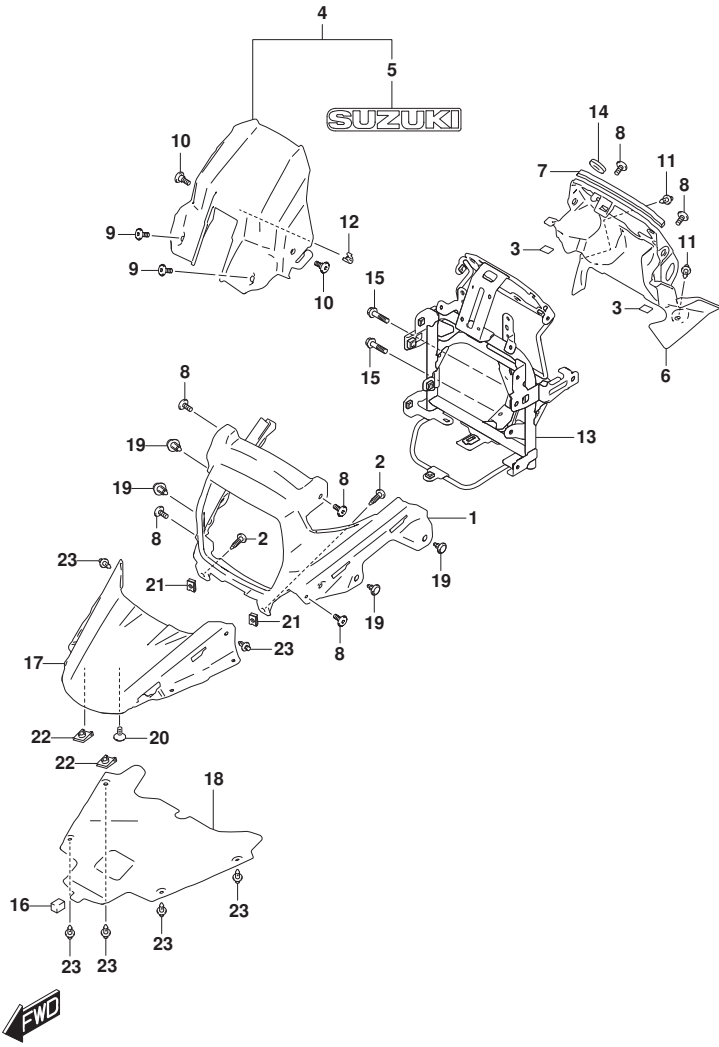


FIG.481A (1-G-3) COWLING BODY

REF NO.	PART NO.	DESCRIPTION	Q'TY	REMARKS
1	94411-06L00-000	COWLING,BODY	1	
2	03541-0516A-000	SCREW	2	
3	63115-37H00-000	CUSHION (10X10X1)	2	
4	94630-06L00-B5J	PANEL,METER FRONT	1	
5	68721-13E00-B5J	.EMBLEM,"SUZUKI"	1	
6	94632-06L00-000	PANEL,METER REAR	1	
7	94633-06L00-000	CUSHION,METER PANEL REAR	1	
8	09139-05091-000	SCREW (5X13)	6	
9	09139-05091-000	SCREW (5X13)	2	
10	09139-05094-000	SCREW (5X18)	2	
11	09409-06314-000	CLIP (5.9X20.5)	2	
12	09409-08326-000	CLIP (10.5X14.3)	1	
13	94510-06L00-000	BRACE,COWLING	1	
14	48169-12JA0-000	CUSHION (8X26X7)	1	
15	01550-0820B-000	BOLT	2	
16	33652-05G20-000	CUSHION,RR LAMP (17X17X12)	1	
17	94413-06L00-YKV	COWLING,BODY CTR (BLACK)	1	
18	94414-06L00-000	COWLING,BODY CTR LWR	1	
19	94479-35F00-000	CLIP	4	
20	09139-05091-000	SCREW (5X13)	1	
21	09148-05038-000	NUT (M5)	2	
22	09148-05052-000	NUT (M5)	2	
23	09409-06314-000	CLIP (5.9X20.5)	6	

FIG.492A

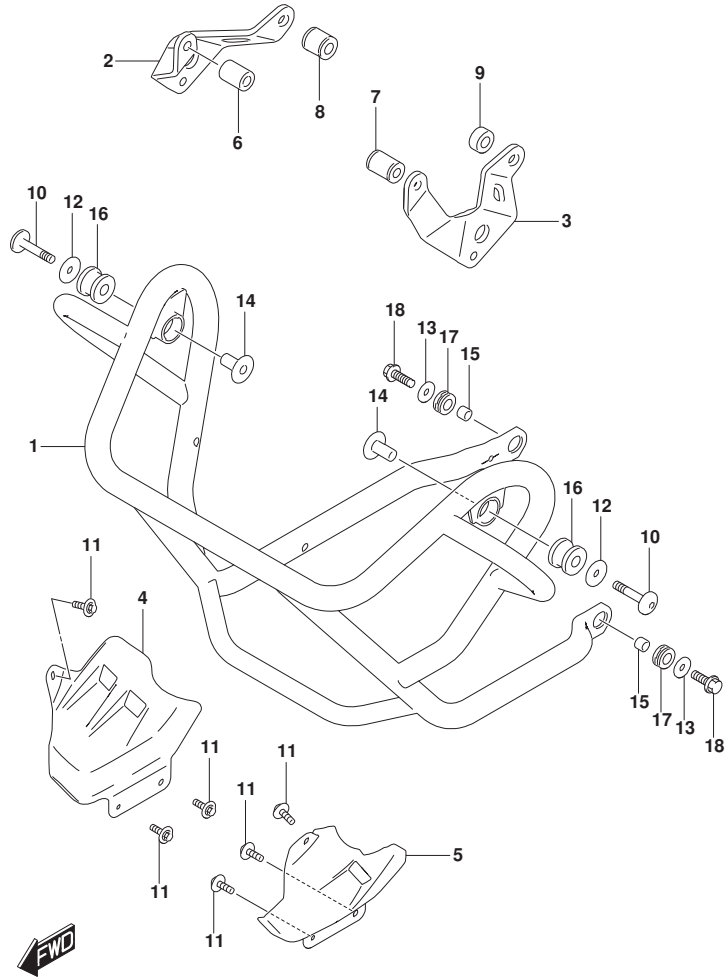


FIG.492A (1-G-4) FRONT BUMPER (DL1050RC)

REF NO.	PART NO.	DESCRIPTION	Q'TY	REMARKS
1	94210-06L00-000	BAR,ACCESSORY	1	
2	94230-06L00-000	BRACKET,ACCESSORY BAR RH	1	
3	94240-06L00-000	BRACKET,ACCESSORY BAR LH	1	
4	94251-06L00-000	COVER,UNDER RH	1	
5	94261-06L00-000	COVER,UNDER LH	1	
6	94272-06L00-000	SPACER,FR RH	1	
7	94273-06L00-000	SPACER,FR LH	1	
8	94274-06L00-000	SPACER,RR RH	1	
9	94275-06L00-000	SPACER,RR LH	1	
10	09106-08207-000	BOLT,ACCESSORY BAR UPR	2	
11	09116-06527-000	BOLT,WITH WASHER	6	
12	09160-08157-000	WASHER (8.5X28X1.6)	2	
13	09160-08177-000	WASHER,ACCESSORY BAR LWR	2	
14	09180-08152-000	SPACER (8.6X12X24.2)	2	
15	09180-08230-000	SPACER,ACCESSORY BAR LWR	2	
16	09320-12048-000	CUSHION (12X30X24)	2	
17	09320-12068-000	CUSHION (12X22X9.5)	2	
18	01550-0830B-000	BOLT	2	

FIG.496A

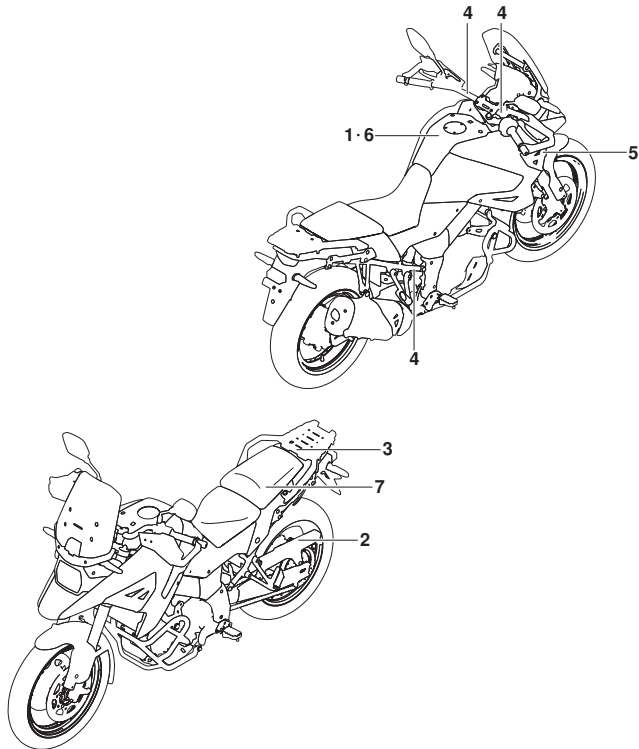


FIG.496A (1-G-5) LABEL

REF NO.	PART NO.	DESCRIPTION	QTY	REMARKS
1-1	68319-06L00-000	LABEL,GENERAL WARNING	1	ENGLISH
1-2	68319-06L20-000	LABEL,GENERAL WARNING	1	GERMAN
1-3	68319-06L30-000	LABEL,GENERAL WARNING	1	FRENCH
1-4	68319-06L40-000	LABEL,GENERAL WARNING	1	ITALIAN
1-5	68319-06L50-000	LABEL,GENERAL WARNING	1	SPANISH
1-6	68319-06L70-000	LABEL,GENERAL WARNING	1	DUTCH
1-7	68319-06L80-000	LABEL,GENERAL WARNING	1	PORTUGUESE
1-8	68319-06L90-000	LABEL,GENERAL WARNING	1	SWEDISH
1-9	68319-06LA0-000	LABEL,GENERAL WARNING	1	FINNISH
1-10	68319-06LB0-000	LABEL,GENERAL WARNING	1	NORWEGIAN
1-11	68319-06LP0-000	LABEL,GENERAL WARNING	1	RUSSIAN
2	68332-06L00-000	LABEL,TIRE INFORMATION	1	
3-1	68391-06L00-000	LABEL,CARRIER WARNING	1	
3-2	68391-06L10-000	LABEL,CARRIER WARNING	1	FOR RUSSIAN
4	68386-14J01-000	LABEL,BRAKE FLUID INFORMATION	3	FOR RUSSIAN
5	17995-14JP1-000	LABEL,RADIATOR CAP	1	FOR RUSSIAN
6	11959-06L00-000	LABEL,GASOLINE	1	
7-1	99011-06L51-01A	MANUAL,OWNER'S	1	
7-2	99011-06L51-01E	MANUAL,OWNER'S	1	
7-3	99011-06L51-01F	MANUAL,OWNER'S	1	
7-4	99011-06L51-01H	MANUAL,OWNER'S	1	
7-5	99011-06L51-01K	MANUAL,OWNER'S	1	
7-6	99011-06L51-01T	MANUAL,OWNER'S	1	
7-7	99011-06L51-01W	MANUAL,OWNER'S	1	
7-8	99011-06L51-029	MANUAL,OWNER'S	1	
7-9	99011-06L51-070	MANUAL,OWNER'S	1	

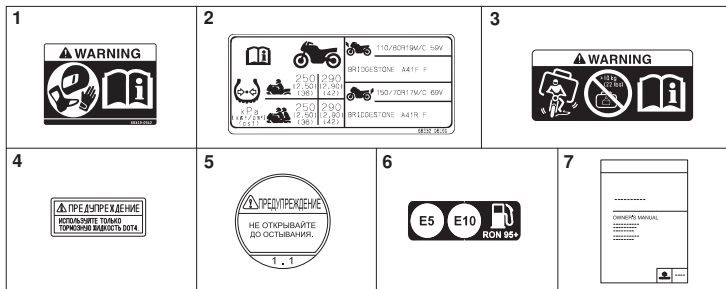


FIG.505A

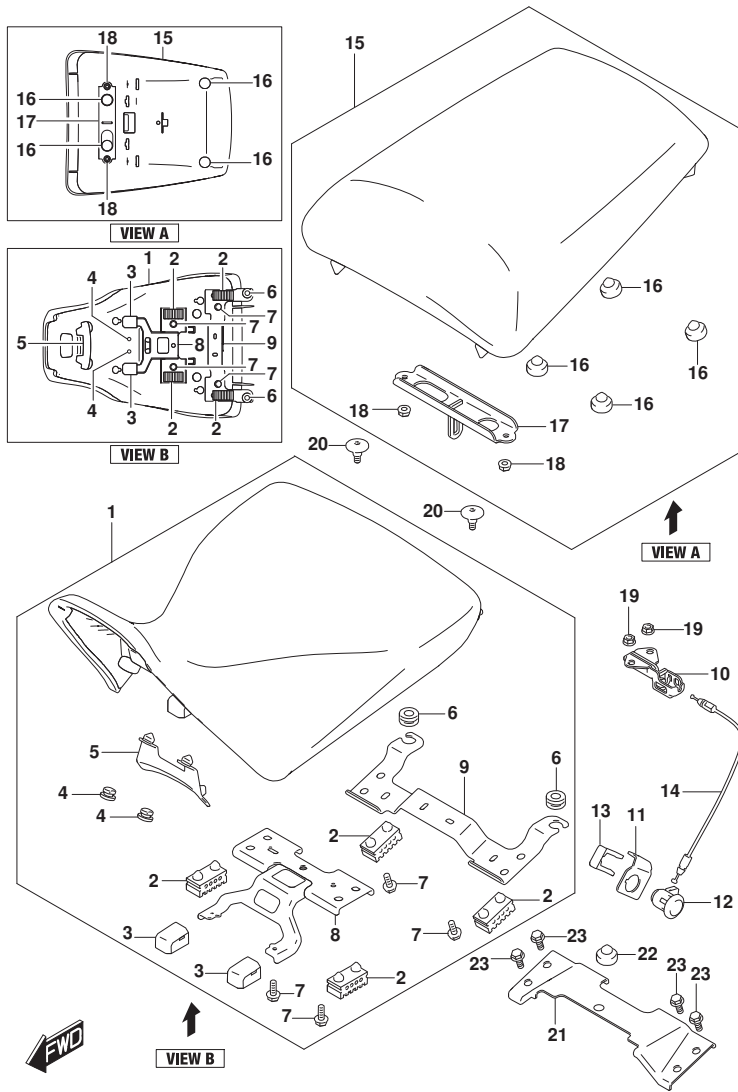


FIG.505A (1-G-6) SEAT (DL1050RQ)

REF NO.	PART NO.	DESCRIPTION	Q'TY	REMARKS
1	45100-06L01-B03	SEAT ASSY	1	
2	45149-31300-000	.CUSHION,SEAT (40X20X15)	4	
3	45141-06L00-000	.CUSHION,SEAT HOOK	2	
4	45148-27J00-000	.CUSHION,SEAT MOUNT	2	
5	45154-06L00-000	.CUSHION,SEAT MOUNT	1	
6	09320-10069-000	.CUSHION	2	
7	01550-0616A-000	.BOLT	4	
8	45452-06L00-000	.FRAME,SEAT NO.2	1	
9	45451-06L00-000	.FRAME,SEAT	1	
10	45220-04K20-000	BRACKET,STRIKER SUPPORT	1	
11	45288-14F00-000	GUIDE,SEAT LOCK CABLE	1	
12	95700-14F00-000	LOCK ASSY,SEAT	1	
13	45289-11F00-000	PLATE,SEAT LOCK ASSY	1	
14	45280-06L00-000	CABLE,SEAT LOCK	1	
15	45300-06L00-B03	SEAT ASSY,PILLION	1	
16	09321-10012-000	.CUSHION	4	
17	45290-17K00-000	.STRIKER,SEAT LOCK	1	
18	08316-1006A-000	.NUT	2	
19	08316-1006A-000	NUT	2	
20	09139-06193-000	SCREW (6X20)	2	
21	45121-06L00-000	BRIDGE,SEAT	1	
22	09321-10012-000	CUSHION	1	
23	01550-0616A-000	BOLT	4	

FIG.505B

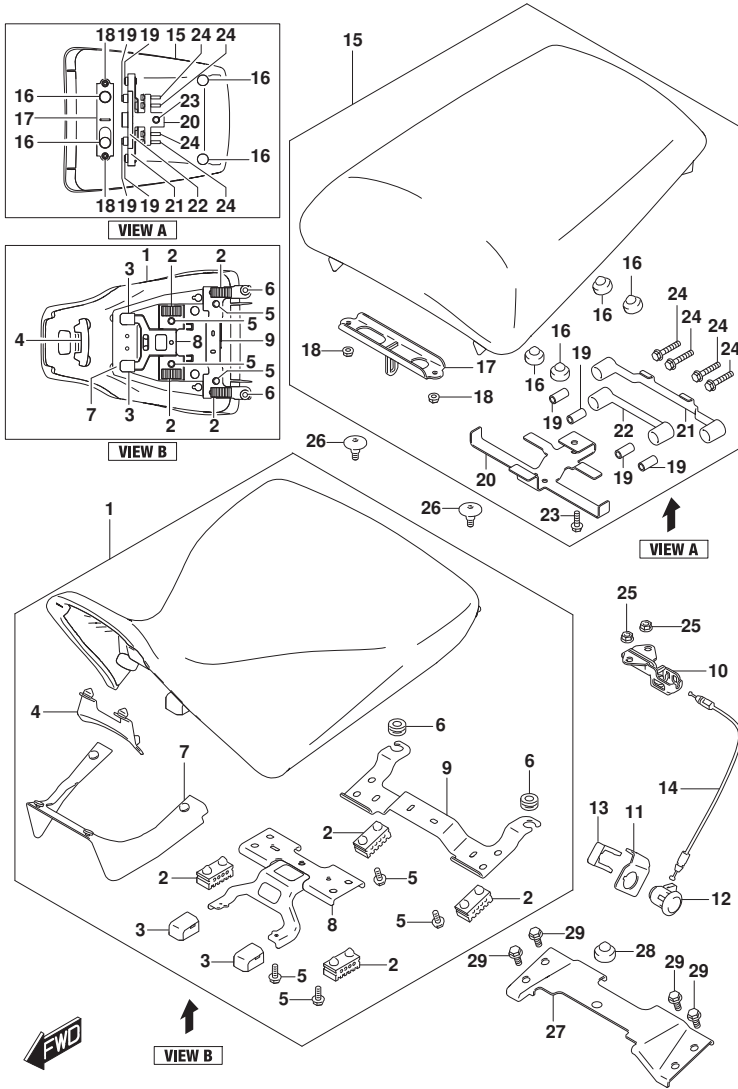


FIG.505B (1-G-7) SEAT (DL1050RC)

REF NO.	PART NO.	DESCRIPTION	Q'TY	REMARKS
1-1	45100-06L11-B03	SEAT ASSY	1	BODY COLOR:YVB,B1F
1-2	45100-06L11-B1H	SEAT ASSY	1	BODY COLOR:BD7,BT1
2	45149-31300-000	.CUSHION,SEAT (40X20X15)	4	
3	45141-06L00-000	.CUSHION,SEAT HOOK	2	
4	45154-06L00-000	.CUSHION,SEAT MOUNT	1	
5	01550-0616A-000	.BOLT	4	
6	09320-10069-000	.CUSHION	2	
7	45256-06L00-000	.SHEET,HEAT SHIELD	1	
8	45452-06L00-000	.FRAME,SEAT NO.2	1	
9	45451-06L00-000	.FRAME,SEAT	1	
10	45220-04K20-000	BRACKET,STRIKER SUPPORT	1	
11	45288-14F00-000	GUIDE,SEAT LOCK CABLE	1	
12	95700-14F00-000	LOCK ASSY,SEAT	1	
13	45289-11F00-000	PLATE,SEAT LOCK ASSY	1	
14	45280-06L00-000	CABLE,SEAT LOCK	1	
15-1	45300-06L10-B03	SEAT ASSY,PILLION	1	BODY COLOR:YVB,B1F
15-2	45300-06L10-B1H	SEAT ASSY,PILLION	1	BODY COLOR:BD7,BT1
16	09321-10012-000	.CUSHION	4	
17	45290-17K00-000	.STRIKER,SEAT LOCK	1	
18	08316-1006A-000	.NUT	2	
19	09180-06314-000	.SPACER (6.5X12X21)	4	
20	45321-06L00-000	.PLATE,SEAT	1	
21	45312-06L00-000	.SPACER,SEAT NO.1	1	
22	45313-06L00-000	.SPACER,SEAT NO.2	1	
23	01550-0620A-000	.BOLT	1	
24	01550-0635A-000	.BOLT	4	
25	08316-1006A-000	NUT	2	
26	09139-06193-000	SCREW (6X20)	2	
27	45121-06L00-000	BRIDGE,SEAT	1	
28	09321-10012-000	CUSHION	1	
29	01550-0616A-000	BOLT	4	

FIG.521A

FIG.521A (1-G-8) FRONT FORK DAMPER

REF NO.	PART NO.	DESCRIPTION	Q'TY	REMARKS
1	51103-06L00-000	DAMPER ASSY RH	1	
2	51110-31J20-000	.TUBE,INNER RH	1	
3	51158-14200-000	.WASHER	1	
4	51153-44G00-000	.OIL SEAL	1	
5	51156-14200-000	.RING,STOPPER	1	
6	51173-02FA0-000	.SEAL,DUST	1	
7	51146-06L00-000	.CYLINDER	1	
8	51352-13A60-000	.NUT,ROD	1	
9	51171-31J00-000	.SPRING	1	
10	51158-40F30-000	.GUIDE,SPRING	1	
11	51176-48G10-000	.SPACER,SPRING	1	
12	51131-31J30-000	.TUBE,OUTER	1	
13	51351-31J30-000	.CAP	1	
14	62278-14100-000	.O RING	1	
15	51112-31J00-000	.PISTON	1	
16	51152-31J00-000	.METAL,SLIDE	1	
17	51178-31J00-000	.SEAT,SPRING	1	
18	51104-06L00-000	DAMPER ASSY LH	1	
19	51120-31J20-000	.TUBE,INNER LH	1	
20	51158-14200-000	.WASHER	1	
21	51153-44G00-000	.OIL SEAL	1	
22	51156-14200-000	.RING,STOPPER	1	
23	51173-02FA0-000	.SEAL,DUST	1	
24	51146-06L00-000	.CYLINDER	1	
25	51352-13A60-000	.NUT,ROD	1	
26	51171-31J00-000	.SPRING	1	
27	51158-40F30-000	.GUIDE,SPRING	1	
28	51176-48G10-000	.SPACER,SPRING	1	
29	51131-31J30-000	.TUBE,OUTER	1	
30	51351-31J30-000	.CAP	1	
31	62278-14100-000	.O RING	1	
32	51112-31J00-000	.PISTON	1	
33	51152-31J00-000	.METAL,SLIDE	1	
34	51178-31J00-000	.SEAT,SPRING	1	
35	51166-24F60-000	BOLT	4	

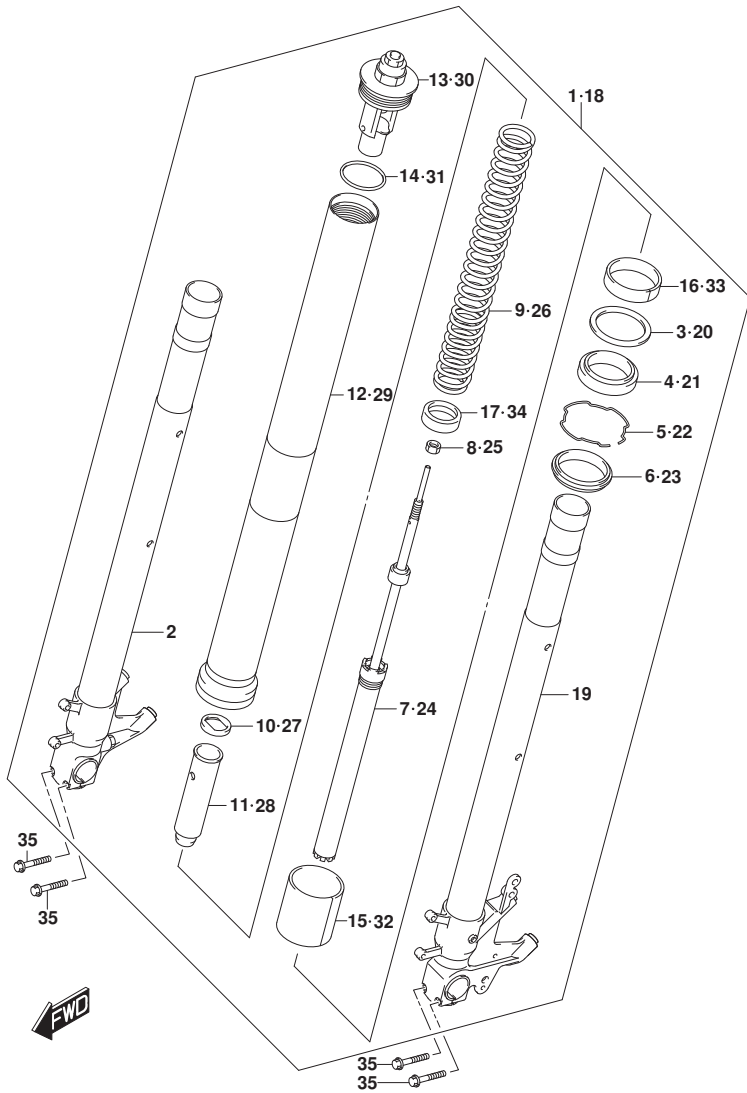


FIG.524A

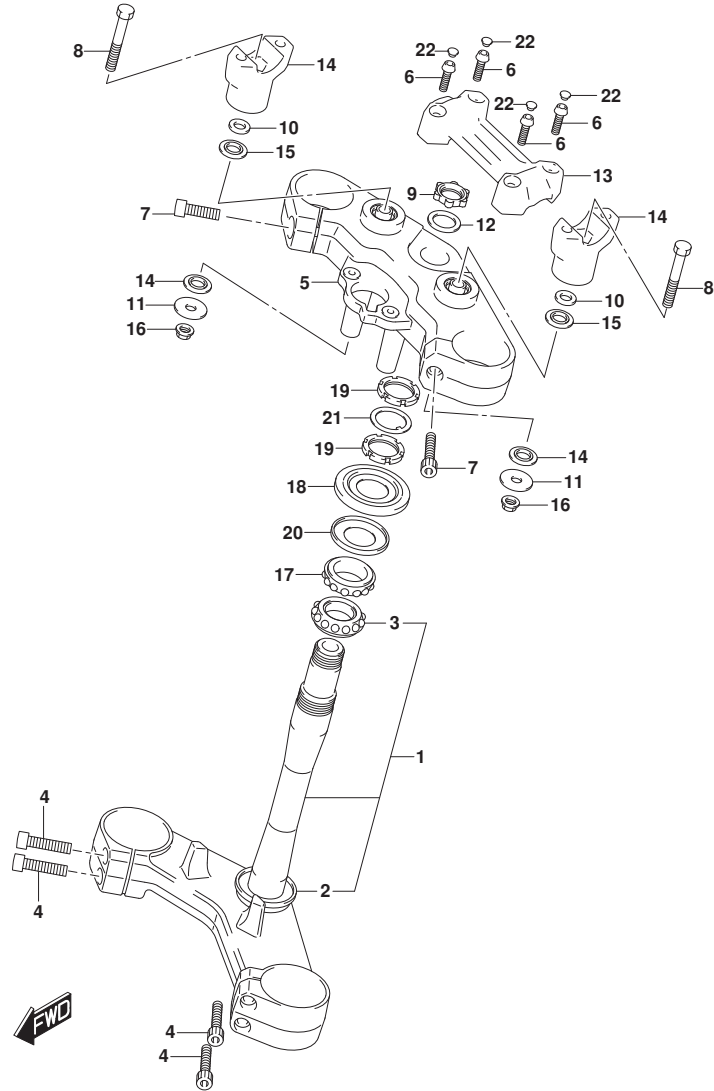


FIG.524A (1-G-9) STEERING STEM

REF NO.	PART NO.	DESCRIPTION	Q'TY	REMARKS
1	51410-31J10-QSC	BRACKET,UNDER (SILVER)	1	
2	51644-12C00-000	.SEAL,STEERING LOWER (30.1X56X4)	1	
3	09267-30010-000	.BEARING (30X55X17)	1	
4	51166-40H20-000	BOLT (8X40)	4	
5	51310-06L00-QSC	BRACKET,UPPER (SILVER)	1	
6	51166-40H20-000	BOLT (8X40)	2	
7	51166-40H20-000	BOLT (8X40)	4	
8	51321-06L00-000	BOLT,HANDLE HOLDER LOWER	2	
9	51353-06L00-000	NUT	1	
10	51354-17H00-000	WASHER	2	
11	51355-16G00-000	WASHER	2	
12	51356-24F50-000	WASHER	1	
13	51331-06L00-QSC	HOLDER,HANDLE UPPER (SILVER)	1	
14	51332-06L00-QSC	HOLDER,HANDLE LOWER (SILVER)	2	
15	56245-31J00-000	RUBBER,HANDLE HOLDER	4	
16	08319-3110A-000	NUT	2	
17	09267-30010-000	BEARING (30X55X17)	1	
18	51643-41G00-000	COVER,STEERING UPPER	1	
19	51631-33E00-000	NUT,STEERING STEM	2	
20	51644-12C00-000	SEAL,STEERING LOWER (30.1X56X4)	1	
21	51641-33E00-000	WASHER,STEERING STEM	1	
22	09250-06015-000	CAP (OD:10.5)	4	

FIG.530A

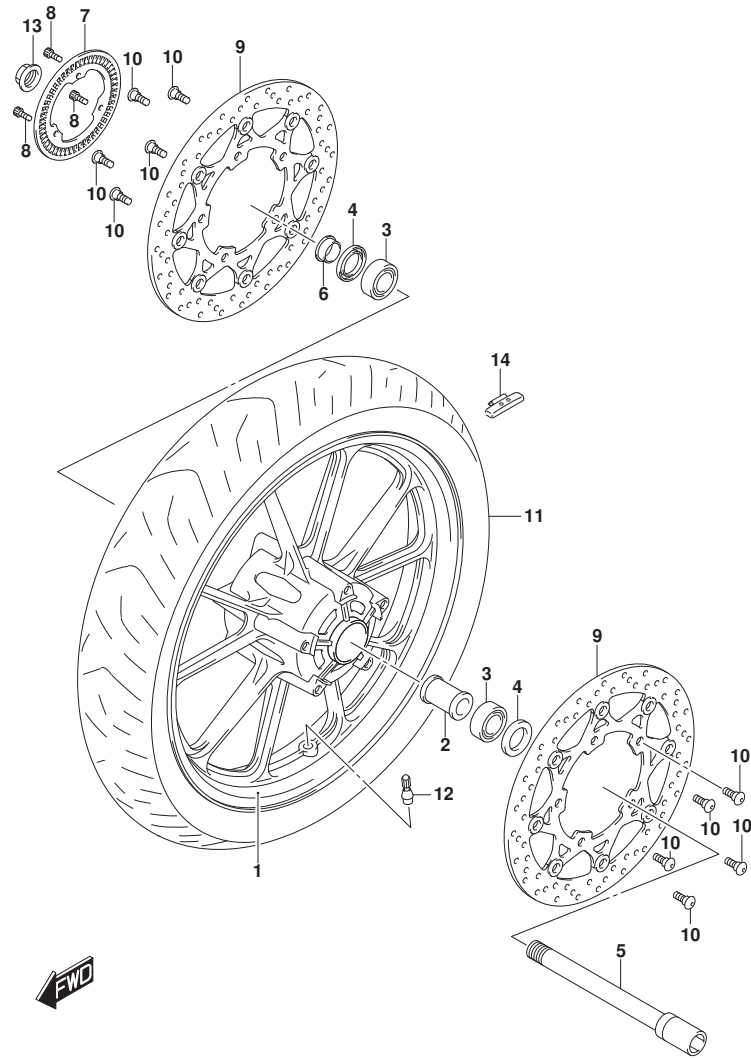


FIG.530A (1-G-10) FRONT WHEEL (DL1050RQ)

REF NO.	PART NO.	DESCRIPTION	Q'TY	REMARKS
1	54111-31J00-019	WHEEL,FRONT (19M/CXMT2.50,BLAC K)	1	
2	54731-33E20-000	SPACER,FR HUB BEARING	1	
3	09262-25191-000	BEARING,FRONT HUB	2	
4	09285-32004-000	OIL SEAL (32X52X7)	2	
5	54711-31J00-000	AXLE,FR	1	
6	54751-41G10-000	SPACER,FRONT AXLE RH	1	
7	54162-27G10-000	RING,SPEED SENSOR FR	1	
8	07130-0512A-000	BOLT	3	
9	59210-31J10-000	DISC,FRONT BRAKE	2	
10	09106-08208-000	BOLT,DISC	10	
11	55110-06L00-000	TIRE,FRONT	1	
12	#43130-24A00-000	VALVE ASSY,WHEEL RIM (TR412)	1	
13	54712-47H00-000	NUT,FRONT AXLE	1	
14-1	55411-22H00-000	BALANCER,WHEEL NO.1 (10G)	AR	
14-2	55412-22H00-000	BALANCER,WHEEL NO.2 (20G)	AR	
14-3	55413-22H00-000	BALANCER,WHEEL NO.3 (30G)	AR	

FIG.530B

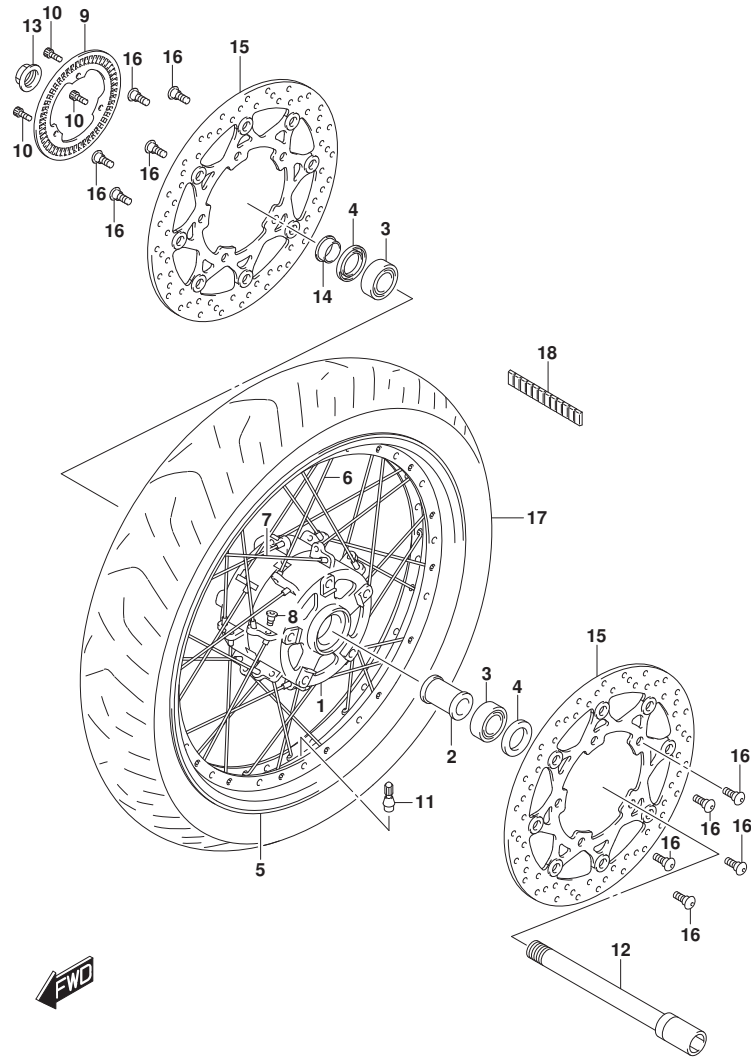


FIG.530B (1-G-11) FRONT WHEEL (DL1050RC)

REF NO.	PART NO.	DESCRIPTION	Q'TY	REMARKS
1	54111-31J10-000	HUB,FRONT	1	
2	54731-33E20-000	SPACER,FR HUB BEARING	1	
3	09262-25191-000	BEARING,FRONT HUB	2	
4	09285-32004-000	OIL SEAL (32X52X7)	2	
5-1	55311-31J10-000	RIM,FR WHEEL (19M/CXMT2.50)	1	GOLD BODY COLOR:YVB,BT1
5-2	55311-31J00-000	RIM,FR WHEEL (19M/CXMT2.50)	1	BLACK BODY COLOR:B1F
5-3	55311-31J20-000	RIM,FR WHEEL (19M/CXMT2.50)	1	BODY COLOR:BD7
6	55321-11J00-000	SPOKE,FRONT WHEEL INNER	16	
7	55322-31J00-000	SPOKE,FRONT WHEEL OUTER	16	
8	55326-11J00-000	NIPPLE,WHEEL	32	
9	54162-27G10-000	RING,SPEED SENSOR FR	1	
10	07130-0512A-000	BOLT	3	
11	#43130-24A00-000	VALVE ASSY,WHEEL RIM (TR412)	1	
12	54711-31J00-000	AXLE,FR	1	
13	54712-47H00-000	NUT,FRONT AXLE	1	
14	54751-41G10-000	SPACER,FRONT AXLE RH	1	
15	59210-31J10-000	DISC,FRONT BRAKE	2	
16	09106-08208-000	BOLT,DISC	10	
17	55110-06L00-000	TIRE,FRONT	1	
18	55411-11J00-000	WEIGHT,WHEEL BALANCE (5GRAM)	1	

FIG.533A

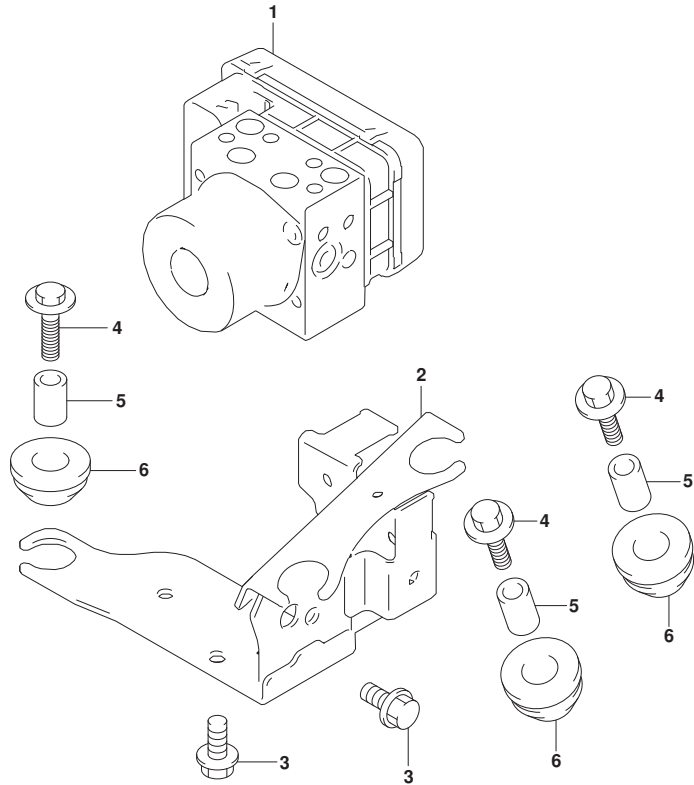


FIG.533A (1-G-12) HYDRAULIC UNIT (DL1050RQ)

REF NO.	PART NO.	DESCRIPTION	Q'TY	REMARKS
1	55610-06L10-000	UNIT ASSY, HYDRAULIC ABS	1	
2	55660-06L10-000	HOLDER, HYDR UNIT ABS	1	
3	01550-0616A-000	BOLT	2	
4	55661-10G00-000	BOLT, HYDR UNIT MTG (6X25)	3	
5	55662-10G00-000	SPACER, HYDR UNIT MTG (#05)	3	
6	09320-10066-000	RUBBER	3	



FIG.533B

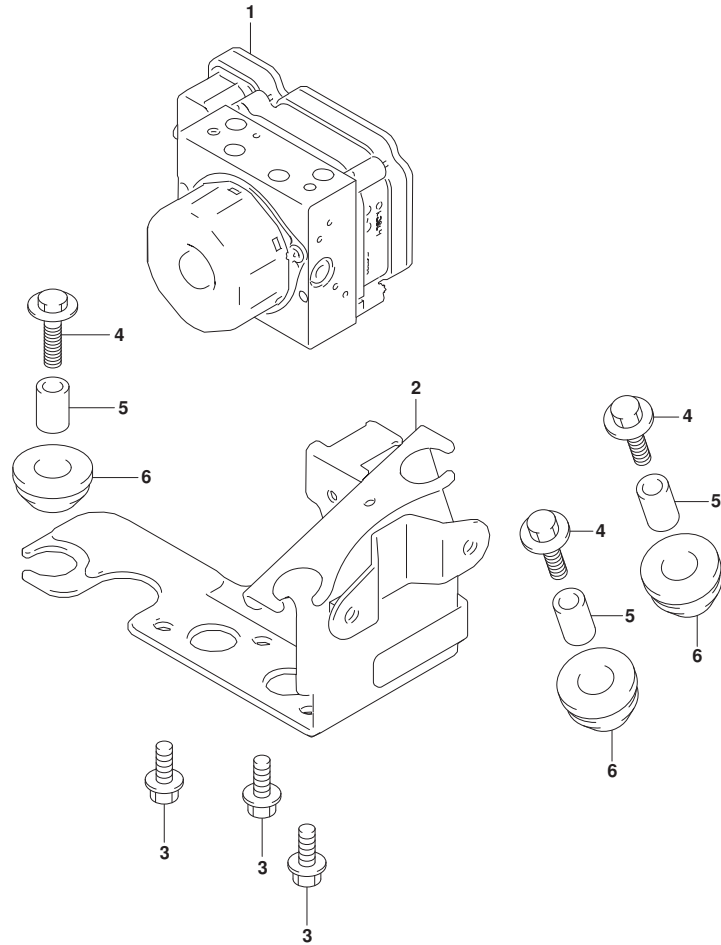


FIG.533B (1-G-13) HYDRAULIC UNIT (DL1050RC)

REF NO.	PART NO.	DESCRIPTION	Q'TY	REMARKS
1	55610-06L00-000	UNIT ASSY, HYDRAULIC ABS	1	
2	55660-06L00-000	HOLDER, HYDR UNIT ABS	1	
3	01550-0616A-000	BOLT	3	
4	55661-10G00-000	BOLT, HYDR UNIT MTG (6X25)	3	
5	55662-10G00-000	SPACER, HYDR UNIT MTG (#05)	3	
6	09320-10066-000	RUBBER	3	



FIG.534A

FIG.534A (1-G-14) BODY ELECTRICAL (DL1050RQ)

REF NO.	PART NO.	DESCRIPTION	Q'TY	REMARKS
1	55710-06L00-000	SENSOR,FR WHEEL SPEED	1	
2	65710-06L00-000	SENSOR,RR WHEEL SPEED	1	
3	01547-0616B-000	BOLT	2	
4	55731-06L00-000	CLAMP,FR WHEEL SPEED SENSOR	1	
5	55731-23H00-000	CLAMP,ABS SENSOR FR	1	
6	09408-00307-000	CLAMP	1	
7	01547-0616B-000	BOLT	2	
8	55734-06L00-000	CLAMP,SENSOR LEAD	5	
9	09407-14407-000	CLAMP (L:145)	1	

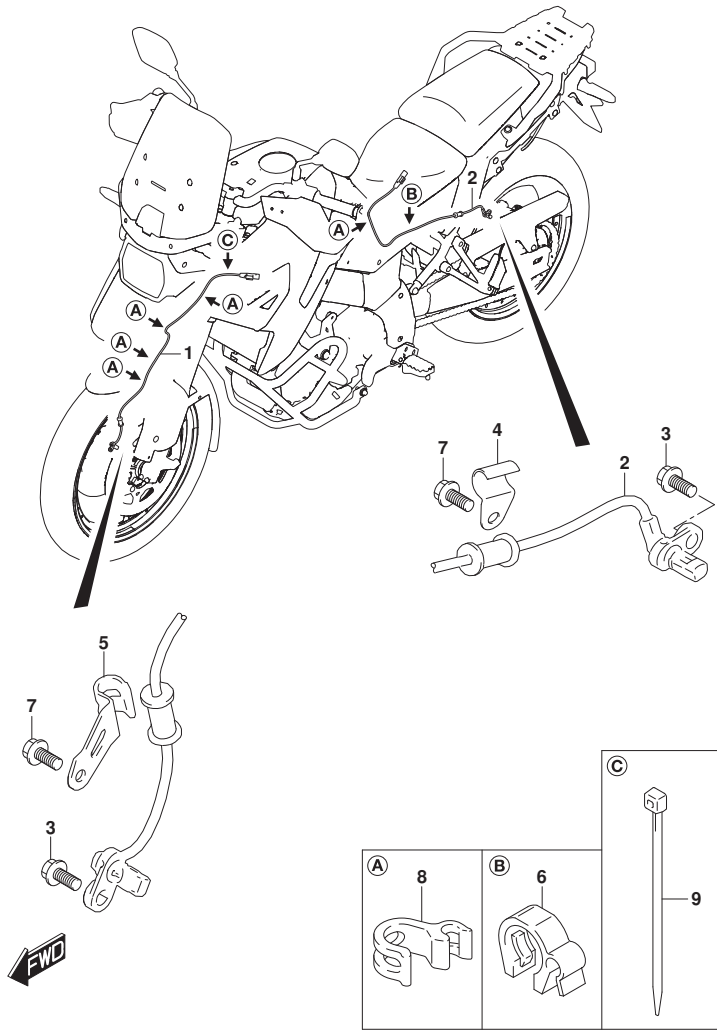


FIG.534B

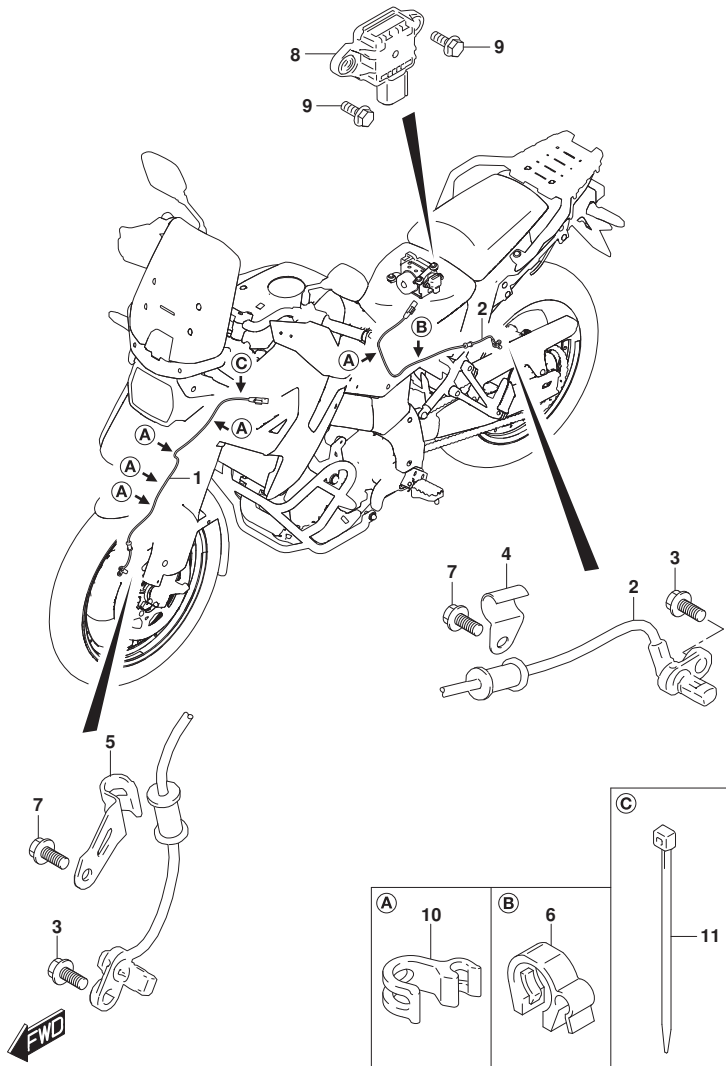


FIG.534B (1-G-15) BODY ELECTRICAL (DL1050RC)

REF NO.	PART NO.	DESCRIPTION	QTY	REMARKS
1	55710-06L00-000	SENSOR,FR WHEEL SPEED	1	
2	65710-06L00-000	SENSOR,RR WHEEL SPEED	1	
3	01547-0616B-000	BOLT	2	
4	55731-23H00-000	CLAMP,ABS SENSOR FR	1	
5	55731-06L00-000	CLAMP,FR WHEEL SPEED SENSOR	1	
6	09408-00307-000	CLAMP	1	
7	01547-0616B-000	BOLT	2	
8	55750-06L00-000	SENSOR,INERTIAL	1	
9	01550-0612A-000	BOLT	3	
10	55734-06L00-000	CLAMP,SENSOR LEAD	5	
11	09407-14407-000	CLAMP (L:145)	1	

FIG.535A

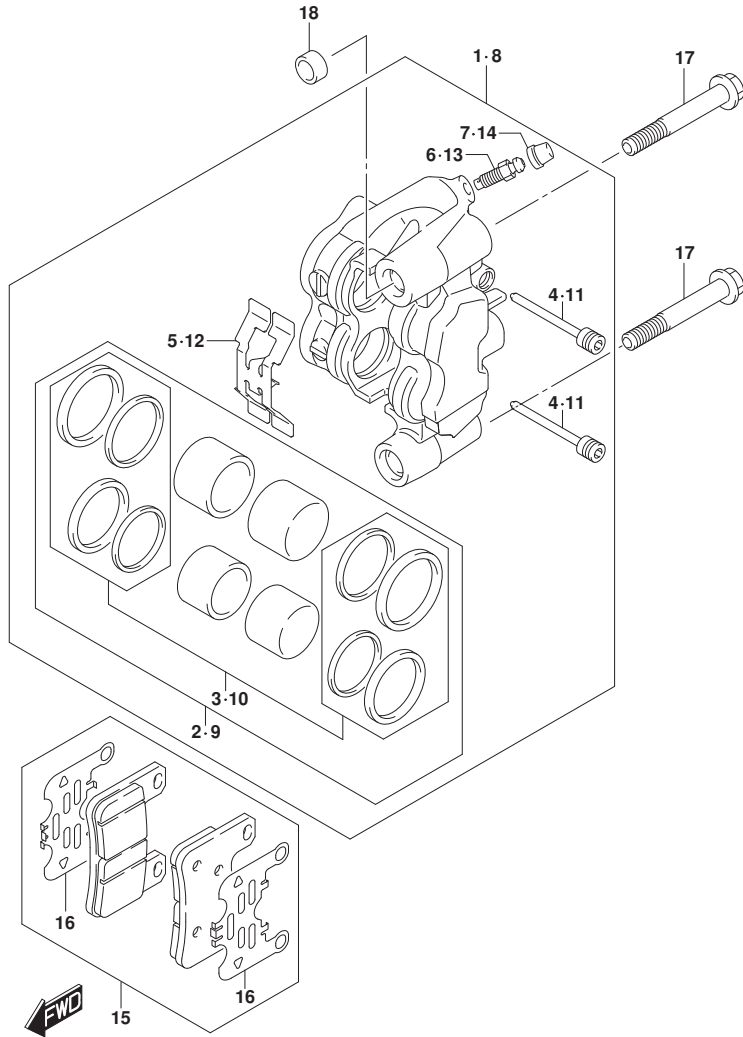


FIG.535A (1-G-16) FRONT CALIPER

REF NO.	PART NO.	DESCRIPTION	Q'TY	REMARKS
1	59100-31J00-999	CALIPER ASSY,FR RH	1	
2	59100-31810-000	.PISTON SET	1	
3	59101-47810-000	..SEAL SET,PISTON	1	
4	59141-41G10-000	.PIN	2	
5	59151-29G00-000	.SPRING,PAD	1	
6	59121-18410-000	.BLEEDER	1	
7	55156-66310-000	.CAP,BLEEDER PLUG (M10X1)	1	
8	59300-31J00-999	CALIPER ASSY,FR LH	1	
9	59100-31810-000	.PISTON SET	1	
10	59101-47810-000	..SEAL SET,PISTON	1	
11	59141-41G10-000	.PIN	2	
12	59151-29G00-000	.SPRING,PAD	1	
13	59121-18410-000	.BLEEDER	1	
14	55156-66310-000	.CAP,BLEEDER PLUG (M10X1)	1	
15	59100-31820-000	PAD & SHIM SET	2	
16	59171-31J00-000	.SHIM	4	
17	59199-06L00-000	BOLT,CALIPER	4	
18	59151-41G00-000	PIN,CALIPER	4	

FIG.536A

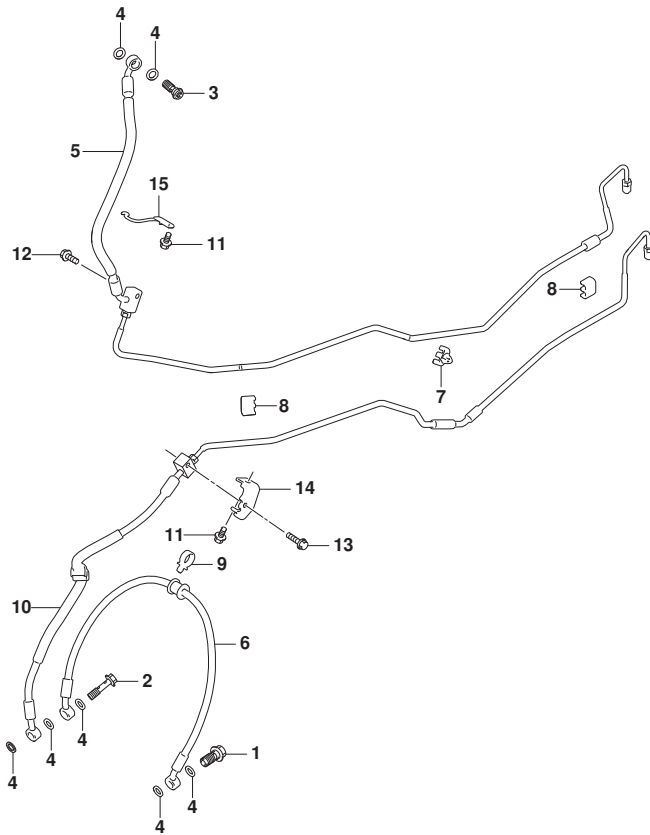


FIG.536A (1-H-2) FRONT BRAKE HOSE (DL1050RQ)

REF NO.	PART NO.	DESCRIPTION	Q'TY	REMARKS
1	09360-10042-000	UNION (10X1.25X22)	1	
2	09360-10069-000	UNION	1	
3	09360-10053-000	UNION (10X1.25X22)	1	
4	09161-10009-000	WASHER (10X15X1.5)	7	
5	59200-06L20-000	HOSE ASSY,FR BK MASTER TO UNIT	1	
6	59240-06L00-000	HOSE,FR BK CLPR TO CLPR	1	
7	09403-07344-000	CLAMP	1	
8	09403-06324-000	CLAMP	2	
9	09403-16412-000	CLAMP	1	
10	59400-06L20-000	HOSE ASSY,FR UNIT TO BK CLPR	1	
11	01547-0612B-000	BOLT	2	
12	01547-0616B-000	BOLT	1	
13	01547-0625B-000	BOLT	1	
14	59261-06L00-000	CLAMP,FR BRAKE HOSE NO.1	1	
15	59260-06L00-000	GUIDE,FR BRAKE HOSE	1	



FIG.536B

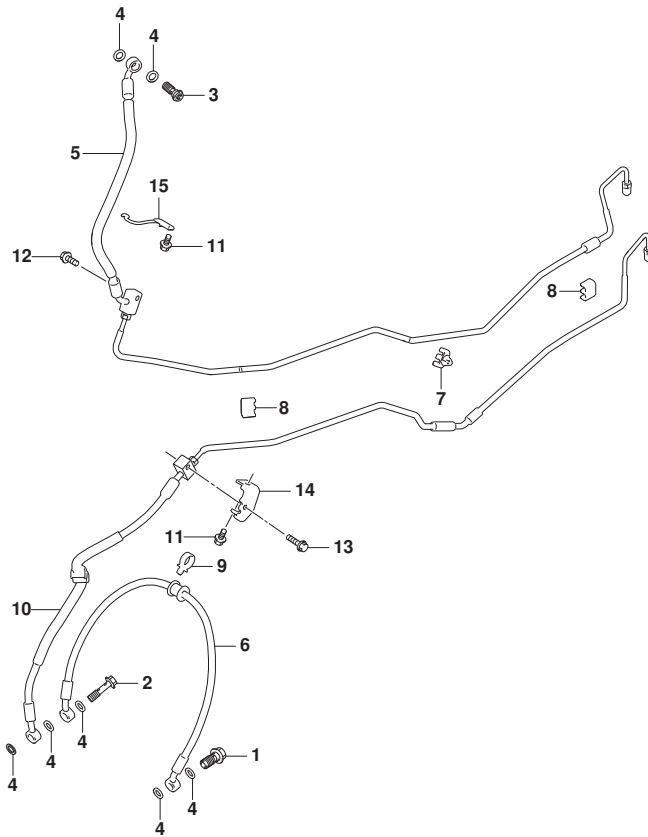


FIG.536B (1-H-3) FRONT BRAKE HOSE (DL1050RC)

REF NO.	PART NO.	DESCRIPTION	Q'TY	REMARKS
1	09360-10042-000	UNION (10X1.25X22)	1	
2	09360-10069-000	UNION	1	
3	09360-10053-000	UNION (10X1.25X22)	1	
4	09161-10009-000	WASHER (10X15X1.5)	7	
5	59200-06L00-000	HOSE ASSY,FR BK MASTER TO UNIT	1	
6	59240-06L00-000	HOSE,FR BK CLPR TO CLPR	1	
7	09403-07344-000	CLAMP	1	
8	09403-06324-000	CLAMP	2	
9	09403-16412-000	CLAMP	1	
10	59400-06L00-000	HOSE ASSY,FR UNIT TO BK CLPR	1	
11	01547-0612B-000	BOLT	2	
12	01547-0616B-000	BOLT	1	
13	01547-0625B-000	BOLT	1	
14	59261-06L00-000	CLAMP,FR BRAKE HOSE NO.1	1	
15	59260-06L00-000	GUIDE,FR BRAKE HOSE	1	



FIG.537B

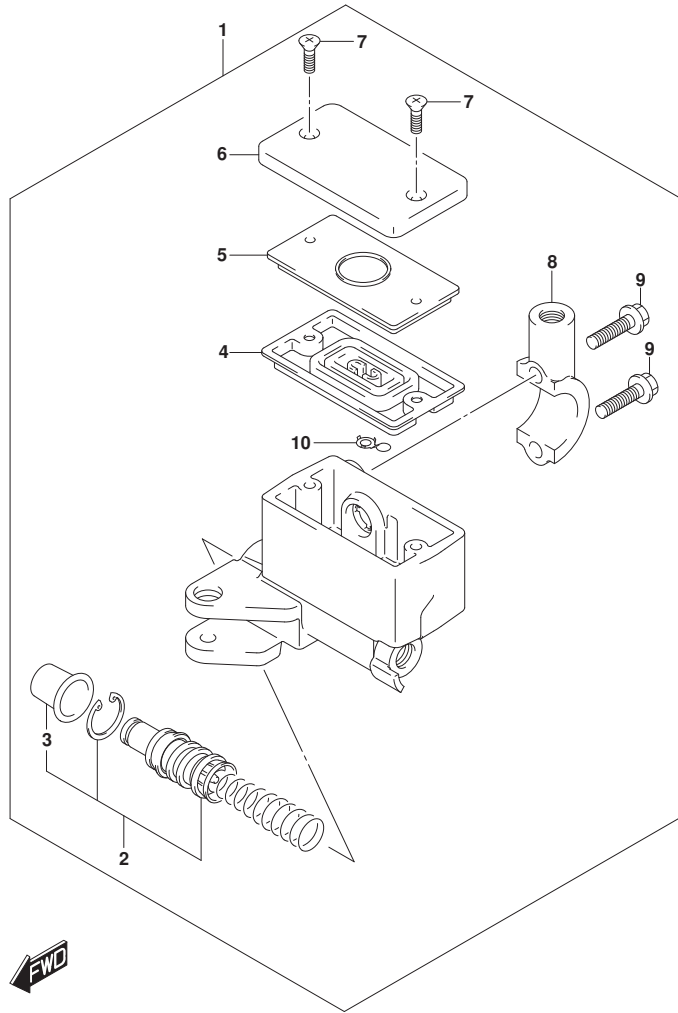


FIG.537B (1-H-4) FRONT MASTER CYLINDER

REF NO.	PART NO.	DESCRIPTION	Q'TY	REMARKS
1	59600-10G30-000	CYLINDER ASSY,FRONT MASTER	1	
2	59600-45870-000	.PISTON & CUP SET	1	
3	59666-44300-000	..BOOT	1	
4	59667-49460-000	.DIAPHRAGM	1	
5	59668-41C00-000	.PLATE,DIAPHRAGM	1	
6	59669-10G00-000	.CAP	1	
7	69689-49300-000	.SCREW,RESERVOIR CAP	2	
8	59671-32F00-000	.HOLDER	1	
9	59675-02FA0-000	.BOLT (6X22)	2	
10	59664-32F00-000	.PROTECTOR	1	

FIG.539B

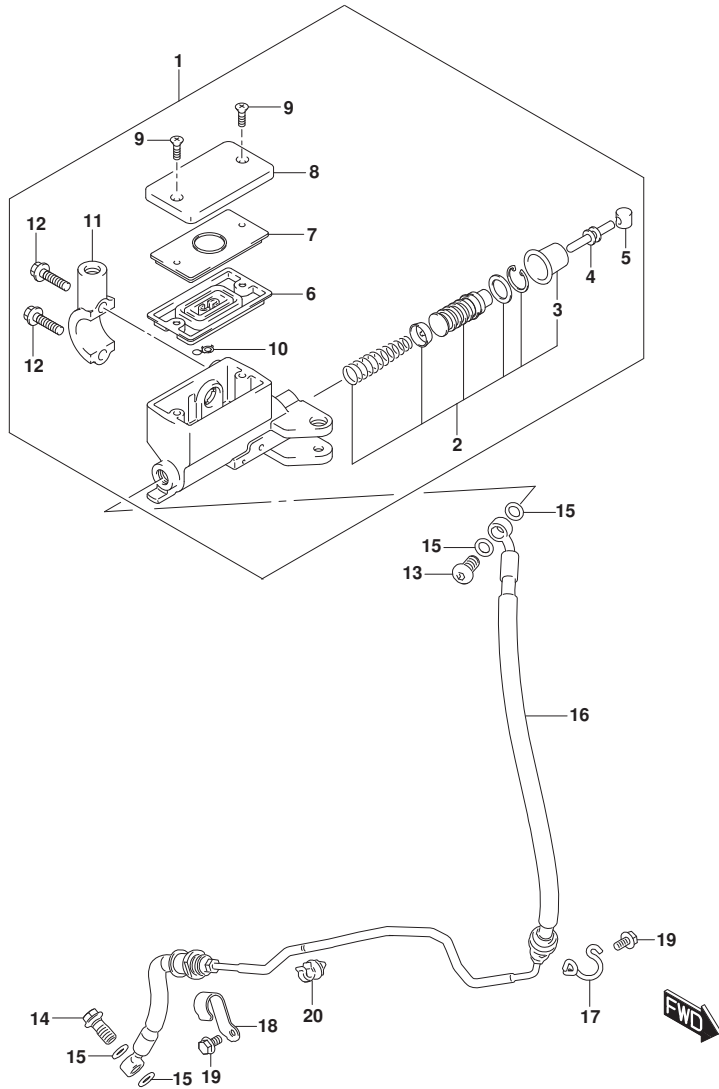


FIG.539B (1-H-5) CLUTCH MASTER CYLINDER

REF NO.	PART NO.	DESCRIPTION	Q'TY	REMARKS
1	59800-32F30-000	CYLINDER ASSY,CLUTCH MASTER	1	
2	59800-31810-000	.PISTON & CUP SET	1	
3	59866-23H00-000	.BOOT	1	
4	59871-23H10-000	.ROD,PUSH	1	
5	59892-08A00-000	.BUSH	1	
6	59667-49460-000	.DIAPHRAGM	1	
7	59668-41C00-000	.PLATE,DIAPHRAGM	1	
8	59669-10G00-000	.CAP	1	
9	69689-49300-000	.SCREW,RESERVOIR CAP	2	
10	59664-32F00-000	.PROTECTOR	1	
11	59671-32F00-000	.HOLDER	1	
12	59675-02FA0-000	.BOLT (6X22)	2	
13	09360-10053-000	UNION (10X1.25X22)	1	
14	09360-10042-000	UNION (10X1.25X22)	1	
15	09161-10009-000	WASHER (10X15X1.5)	4	
16	59900-06L00-000	HOSE ASSY,CLUTCH	1	
17	59915-06L00-000	CLAMP,CLUTCH HOSE NO.1	1	
18	59921-06L00-000	CLAMP,CLUTCH HOSE NO.2	1	
19	09403-07331-000	CLAMP	1	
20	07120-0612A-000	BOLT	2	

FIG.541A

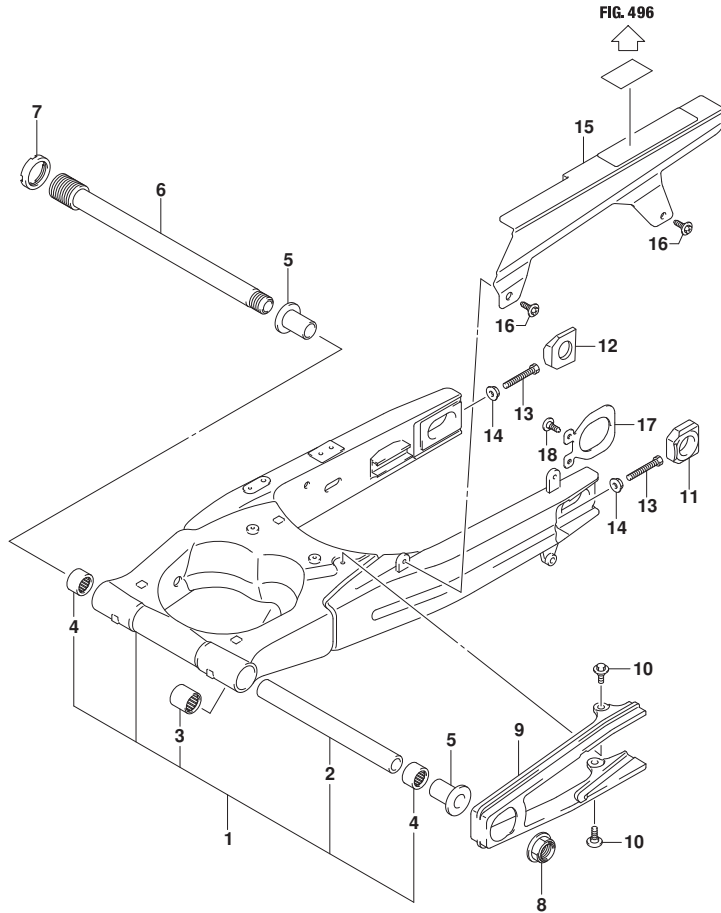


FIG.541A (1-H-6) REAR SWINGARM

REF NO.	PART NO.	DESCRIPTION	QTY	REMARKS
1	61000-31J21-YAP	SWINGARM ASSY,REAR (BLACK)	1	
2	61281-31J00-000	.SPACER,RR SWGARM PIVOT CTR (2 0.8X27.2X196.7)	1	
3	09263-20070-000	.BEARING (20X27X30)	1	
4	09263-27015-000	.BEARING (27X35X35)	2	
5	61251-41G00-000	SPACER,RR SWGARM PIVOT BEARING	2	
6	61211-31J00-000	SHAFT,RR SWGARM PIVOT	1	
7	61214-42E10-000	NUT,RR SWGARM PIVOT BOLT	1	
8	09159-20006-000	NUT	1	
9	61273-31J01-000	BUFFER,CHAIN TOUCH DEFENSE	1	
10	09139-06226-000	SCREW,CHAIN BUFFER (6X17.8)	2	
11	61446-40F00-000	ADJUSTER,CHAIN LH	1	
12	61445-40F00-000	ADJUSTER,CHAIN RH	1	
13	09100-08287-000	BOLT (8X50)	2	
14	08316-1008A-000	NUT	2	
15	61310-16G00-000	CASE,CHAIN	1	
16	09139-06225-000	BOLT,CHAIN CASE (6X12)	2	
17	61124-33E00-000	PLATE,REAR SWINGARM BRKT	1	
18	09125-06060-000	SCREW (6X12)	1	

FIG.543A

FIG.543A (1-H-7) REAR CUSHION LEVER

REF NO.	PART NO.	DESCRIPTION	Q'TY	REMARKS
1	62611-31J00-000	LEVER,REAR CUSHION	2	
2	62317-27C10-000	SPACER,RR CUSHION LEVER,FR (12 X20X34)	1	
3	62668-42A02-000	BOLT,CUSHION LEVER,FRONT (12X6 2)	1	
4	09159-12056-000	NUT	1	
5	62317-44B00-000	SPACER,RR CUSHION LEVER FR	1	
6	62668-42A02-000	BOLT,CUSHION LEVER,FRONT (12X6 2)	1	
7	09159-12056-000	NUT	1	
8	62600-31850-000	ROD SET,RR CUSHION	1	
9	09263-20063-000	.BEARING (20X27X20)	2	
10	09285-20005-000	.SEAL,OIL,20X27X5 (20X27X5)	4	
11	62647-47H00-000	SPACER,RR CUSHION ROD FR	1	
12	62658-37F10-000	BOLT,RR CUSHION LEVER UPPER	1	
13	09159-12056-000	NUT	1	
14	62100-06L01-17U	ABSORBER ASSY,REAR SHOCK (GRAY)	1	
15	09263-17046-000	BEARING (17X24X32)	1	
16	62317-47H00-000	SPACER,RR SHOCK ABS LOWER	1	
17	09103-10033-000	BOLT (10X70)	1	
18	09159-10115-000	NUT (M10)	2	
19	09103-10428-000	BOLT (10X58)	1	
20	09160-12037-000	WASHER (12X34X1.0)	3	

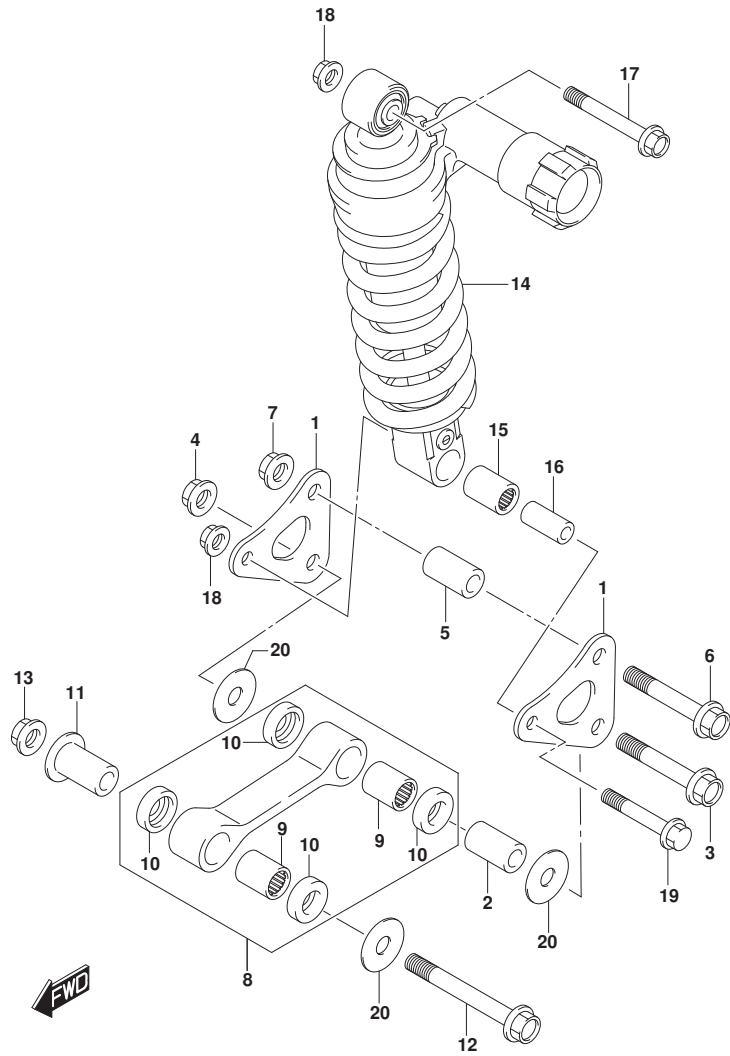


FIG.550A

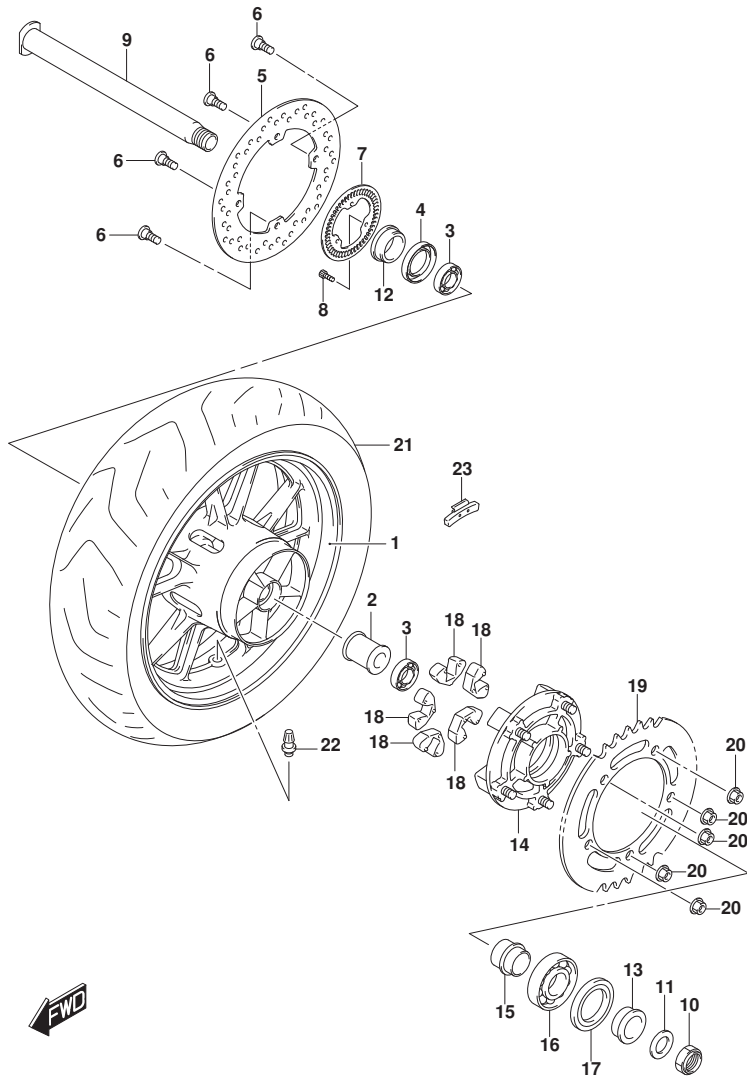


FIG.550A (1-H-8) REAR WHEEL (DL1050RQ)

REF NO.	PART NO.	DESCRIPTION	Q'TY	REMARKS
1	64111-31J00-019	WHEEL,RR (17M/CXMT4.00,BLACK)	1	
2	64731-49G00-000	SPACER,REAR HUB BEARING (20.8X 27.2X124)	1	
3	09262-28062-000	BEARING,REAR WHEEL HUB (28X52X 12)	2	
4	09284-37002-000	SEAL,REAR WHEEL BEARING,R (37X 52X8)	1	
5	69211-06G00-000	DISC,REAR BRAKE	1	
6	09106-08160-000	BOLT (8X21)	4	
7	64162-17G00-000	RING,SPEED SENSOR RR (50T)	1	
8	07130-0512A-000	BOLT	3	
9	64711-31J00-000	AXLE,RR	1	
10	64721-17K00-000	NUT,REAR AXLE	1	
11	09160-25070-000	WASHER (25.2X42X3.2)	1	
12	64741-35F10-000	SPACER,REAR AXLE RH	1	
13	64751-47H10-000	SPACER,REAR AXLE LH	1	
14	64610-35F30-000	DRUM,RR SPROCKET	1	
15	64733-35F00-000	RETAINER,REAR SPROCKET DRUM	1	
16	09262-32024-000	BEARING,RR SPROCKET DRUM (32X6 5X17)	1	
17	09285-39001-000	OIL SEAL (39X65X7)	1	
18	64651-35F30-000	ABSORBER,REAR HUB SHOCK	5	
19	64511-35F20-000	SPROCKET,REAR (NT:41)	1	
20	08319-3110A-000	NUT	5	
21	65110-06L00-000	TIRE,REAR	1	
22	#43130-24A00-000	VALVE ASSY,WHEEL RIM (TR412)	1	
23-1	55411-22H00-000	BALANCER,WHEEL NO.1 (10G)	AR	
23-2	55412-22H00-000	BALANCER,WHEEL NO.2 (20G)	AR	
23-3	55413-22H00-000	BALANCER,WHEEL NO.3 (30G)	AR	

FIG.550B

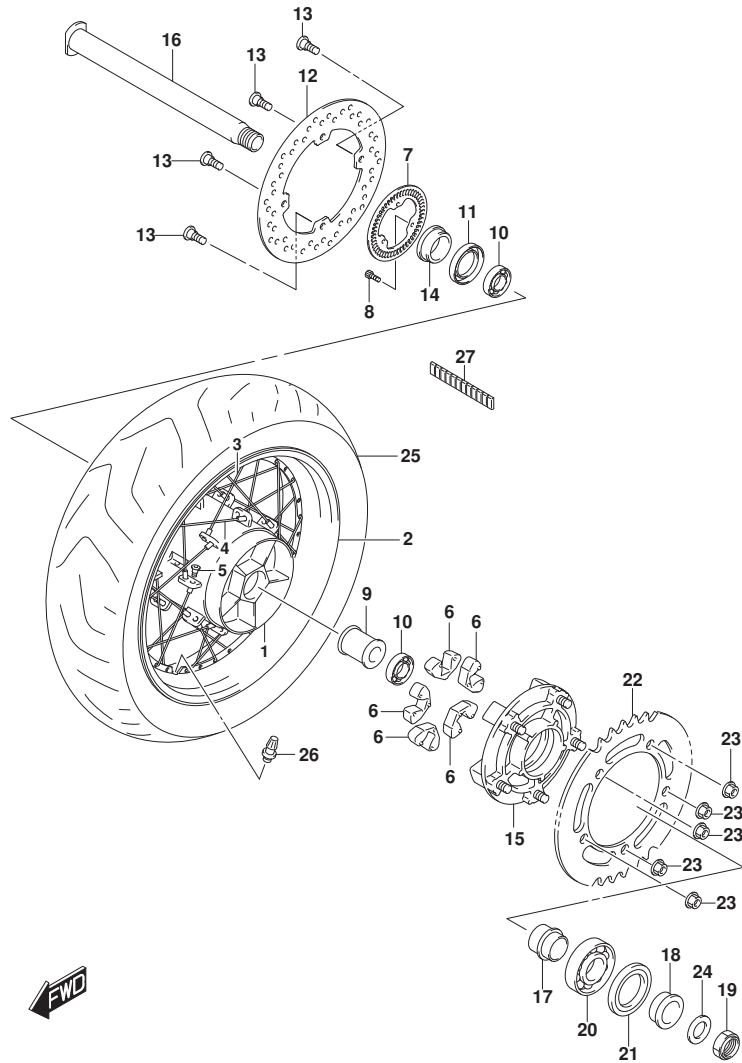


FIG.550B (1-H-9) REAR WHEEL (DL1050RC)

REF NO.	PART NO.	DESCRIPTION	Q'TY	REMARKS
1	64111-31J10-000	HUB,REAR	1	
2-1	65311-31J10-000	RIM,RR WHEEL (17M/CXMT4.00)	1	GOLD
2-2	65311-31J00-000	RIM,RR WHEEL (17M/CXMT4.00)	1	BLACK
2-3	65311-31J20-000	RIM,RR WHEEL (17M/CXMT4.00)	1	BODY COLOR:B1F
3	65321-31J00-000	SPOKE,REAR WHEEL INNER	16	BODY COLOR:BD7
4	65322-31J00-000	SPOKE,REAR WHEEL OUTER	16	
5	55326-11J00-000	NIPPLE,WHEEL	32	
6	64651-35F30-000	ABSORBER,REAR HUB SHOCK	5	
7	64162-17G00-000	RING,SPEED SENSOR RR (50T)	1	
8	07130-0512A-000	BOLT	3	
9	64731-49G00-000	SPACER,REAR HUB BEARING (20.8X 27.2X124)	1	
10	09262-28062-000	BEARING,REAR WHEEL HUB (28X52X 12)	2	
11	09284-37002-000	SEAL,REAR WHEEL BEARING,R (37X 52X8)	1	
12	69211-06G00-000	DISC,REAR BRAKE	1	
13	09106-08160-000	BOLT (8X21)	4	
14	64741-35F10-000	SPACER,REAR AXLE RH	1	
15	64610-35F30-000	DRUM,RR SPROCKET	1	
16	64711-31J00-000	AXLE,RR	1	
17	64733-35F00-000	RETAINER,REAR SPROCKET DRUM	1	
18	64751-47H10-000	SPACER,REAR AXLE LH	1	
19	64721-17K00-000	NUT,REAR AXLE	1	
20	09262-32024-000	BEARING,RR SPROCKET DRUM (32X6 5X17)	1	
21	09285-39001-000	OIL SEAL (39X65X7)	1	
22	64511-35F20-000	SPROCKET,REAR (NT:41)	1	
23	08319-3110A-000	NUT	5	
24	09160-25070-000	WASHER (25.2X42X3.2)	1	
25	65110-06L00-000	TIRE,REAR	1	
26	#43130-24A00-000	VALVE ASSY,WHEEL RIM (TR412)	1	
27	55411-11J00-000	WEIGHT,WHEEL BALANCE (5GRAM)	1	

FIG.555A

FIG.555A (1-H-10) REAR CALIPER

REF NO.	PART NO.	DESCRIPTION	Q'TY	REMARKS
1	69100-31J00-999	CALIPER ASSY,RR	1	
2	69100-44890-000	.PISTON SET	1	
3	69102-05880-000	..SEAL SET,PISTON	1	
4	59112-44B00-000	.BOOT,AXLE	1	
5	69115-44G00-000	.SPRING,PAD	1	
6	59141-40F00-000	.PIN,PAD	1	
7	69105-44G00-000	.PIN,BOLT	1	
8	69116-44G00-000	.RETAINER	1	
9	59121-18410-000	.BLEEDER	1	
10	55156-66310-000	.CAP,BLEEDER PLUG (M10X1)	1	
11	69150-31J00-000	.BRACKET	1	
12	69182-44G00-000	.BOLT	1	
13	69185-44G00-000	.SLEEVE	1	
14	69186-44G00-000	.BOOT,SLEEVE	1	
15	69101-44890-000	PAD & SHIM SET	1	
16	69132-44G10-000	.INSULATOR	2	
17	69133-44G00-000	.SHIM	2	

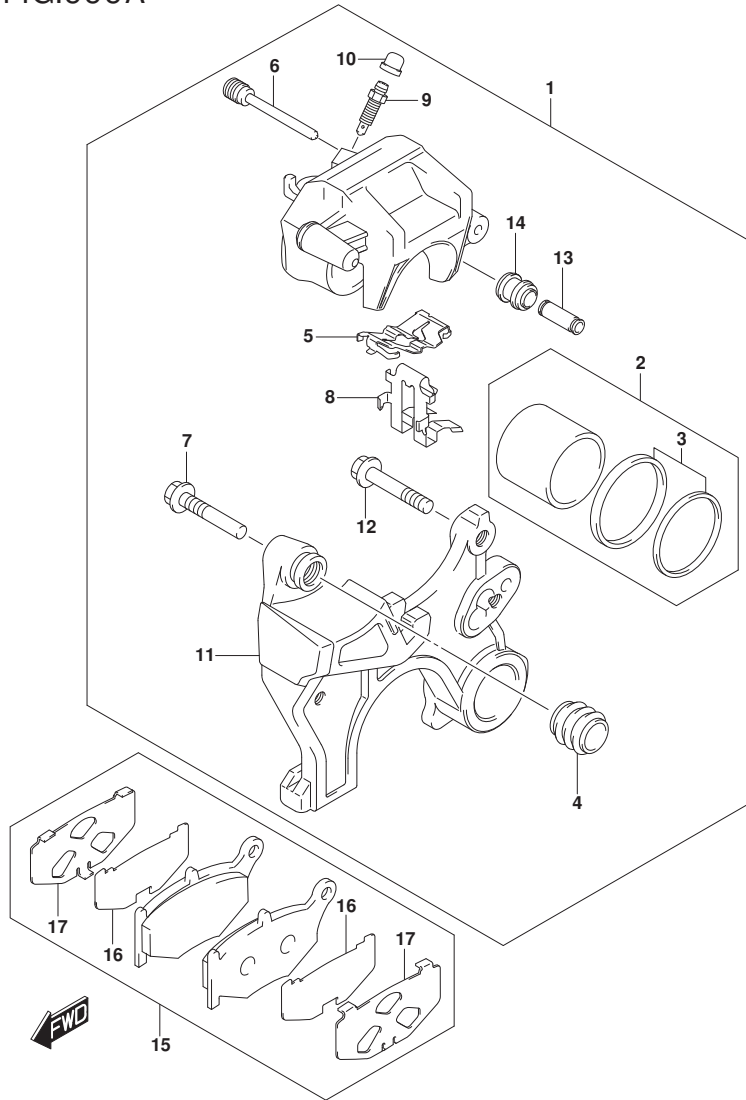


FIG.558A

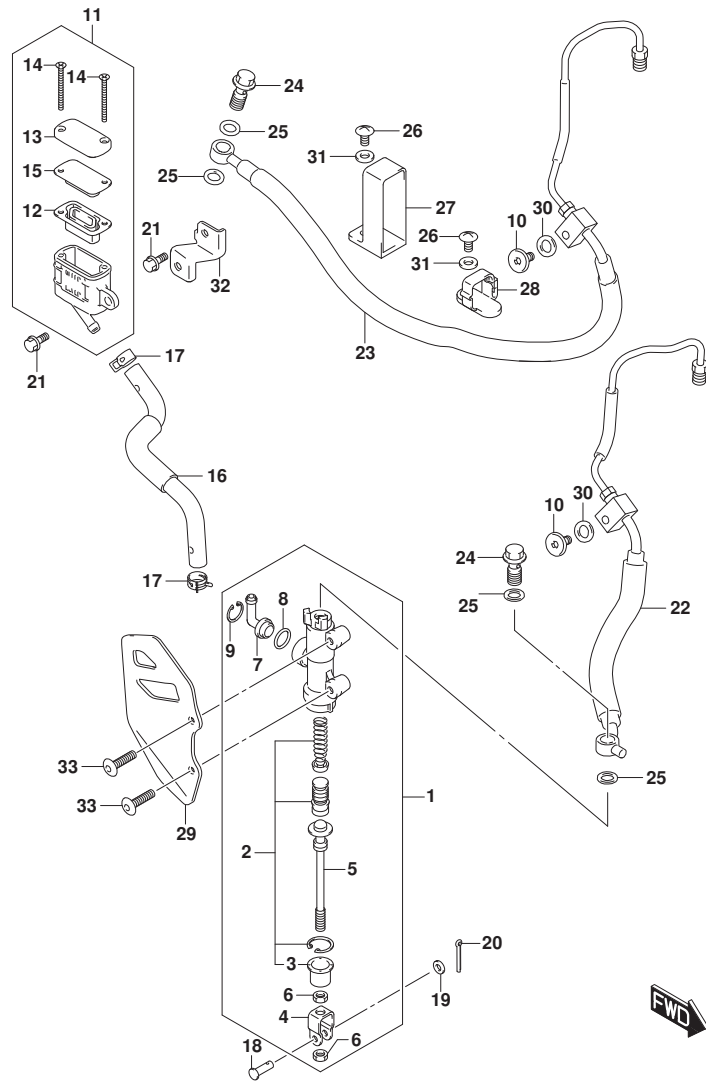


FIG.558A (1-H-11) REAR MASTER CYLINDER (DL1050RC)

REF NO.	PART NO.	DESCRIPTION	Q'TY	REMARKS
1	69600-31J00-000	CYLINDER ASSY,REAR MASTER	1	
2	69600-34830-000	.PISTON/CUP SET	1	
3	69691-00A00-000	.BOOT	1	
4	69692-44H00-000	.YOKE	1	
5	69670-31J00-000	.ROD,PUSH	1	
6	69693-24A00-000	.NUT	2	
7	69672-00B20-000	.CONNECTOR	1	
8	69686-34200-000	.O RING	1	
9	69674-00B20-000	.CIRCLIP	1	
10	09139-06221-000	SCREW (6X16)	2	
11	69740-06L00-000	TANK ASSY,RESERVOIR	1	
12	69667-01H00-000	.DIAPHRAGM	1	
13	69669-18K00-000	.CAP	1	
14	69689-01H00-000	.SCREW	2	
15	69668-01H00-000	.PLATE,DIAPHRAGM	1	
16	69730-06L00-000	HOSE,RR RESERVOIR TANK	1	
17	09401-12412-000	CLIP	2	
18	09200-06037-000	PIN (6X18.2)	1	
19	08322-0106A-000	WASHER	1	
20	04111-2015A-000	PIN	1	
21	01547-0612A-000	BOLT	2	
22	69200-06L00-000	HOSE ASSY,RR BK MASTER TO UNIT	1	
23	69400-06L00-000	HOSE ASSY,RR UNIT TO BK CLPR	1	
24	09360-10042-000	UNION (10X1.25X22)	2	
25	09161-10009-000	WASHER (10X15X1.5)	4	
26	02142-0616B-000	SCREW	2	
27	69243-16G00-000	GUIDE,RR BRAKE HOSE	1	
28	61196-44H00-000	GUIDE,REAR BRAKE HOSE	1	
29	69641-06L00-000	COVER,REAR MASTER CYLINDER	1	
30	69273-31J00-000	CUSHION,REAR BRAKE HOSE	2	
31	69486-31J00-000	WASHION,REAR BRAKE HOSE GUIDE	2	
32	69750-06L00-000	BRACKET,RR RSVR TANK	1	
33	09139-06192-000	SCREW (6X25)	2	

FIG.558C

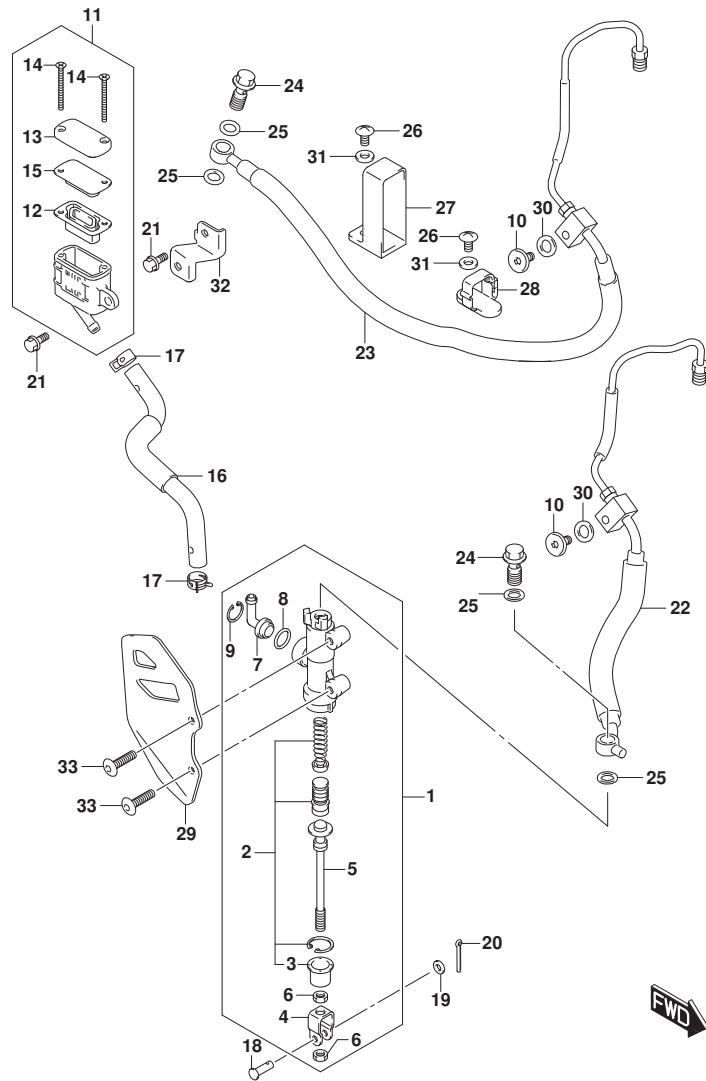


FIG.558C (1-H-12) REAR MASTER CYLINDER (DL1050RQ)

REF NO.	PART NO.	DESCRIPTION	Q'TY	REMARKS
1	69600-31J00-000	CYLINDER ASSY,REAR MASTER	1	
2	69600-34830-000	.PISTON/CUP SET	1	
3	69691-00A00-000	.BOOT	1	
4	69692-44H00-000	.YOKE	1	
5	69670-31J00-000	.ROD,PUSH	1	
6	69693-24A00-000	.NUT	2	
7	69672-00B20-000	.CONNECTOR	1	
8	69686-34200-000	.O RING	1	
9	69674-00B20-000	.CIRCLIP	1	
10	09139-06221-000	SCREW (6X16)	2	
11	69740-06L00-000	TANK ASSY,RESERVOIR	1	
12	69667-01H00-000	.DIAPHRAGM	1	
13	69669-18K00-000	.CAP	1	
14	69689-01H00-000	.SCREW	2	
15	69668-01H00-000	.PLATE,DIAPHRAGM	1	
16	69730-06L00-000	HOSE,RR RESERVOIR TANK	1	
17	09401-12412-000	CLIP	2	
18	09200-06037-000	PIN (6X18.2)	1	
19	08322-0106A-000	WASHER	1	
20	04111-2015A-000	PIN	1	
21	01547-0612A-000	BOLT	2	
22	69200-06L20-000	HOSE ASSY,RR BK MASTER TO UNIT	1	
23	69400-06L20-000	HOSE ASSY,RR UNIT TO BK CLPR	1	
24	09360-10042-000	UNION (10X1.25X22)	2	
25	09161-10009-000	WASHER (10X15X1.5)	4	
26	02142-0616B-000	SCREW	2	
27	69243-16G00-000	GUIDE,RR BRAKE HOSE	1	
28	61196-44H00-000	GUIDE,REAR BRAKE HOSE	1	
29	69641-06L00-000	COVER,REAR MASTER CYLINDER	1	
30	69273-31J00-000	CUSHION,REAR BRAKE HOSE	2	
31	69486-31J00-000	WASHION,REAR BRAKE HOSE GUIDE	2	
32	69750-06L00-000	BRACKET,RR RSVR TANK	1	
33	09139-06192-000	SCREW (6X25)	2	

FIG.970A

FIG.970A (1-H-13) OPTIONAL (DL1050RQ)(SEE NOTE 1)

REF NO.	PART NO.	DESCRIPTION	Q'TY	REMARKS
1	42100-31830-000	STAND SET,CENTER	1	
2	42241-31J00-000	.SPRING,CENTER STAND	2	

NOTE 1:
CENTER STAND SET

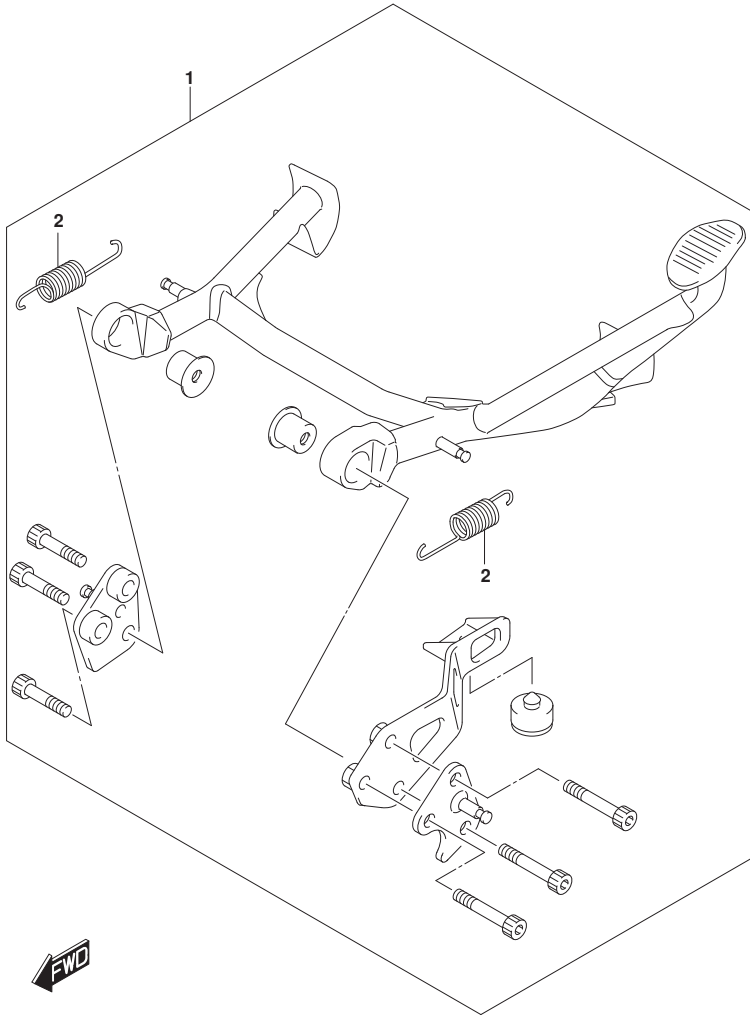


FIG.970C

FIG.970C (1-H-14) OPTIONAL (DL1050RQ)

REF NO.	PART NO.	DESCRIPTION	Q'TY	REMARKS
1	45100-06L51-B03	LOW SEAT * BLK/GRY	1	

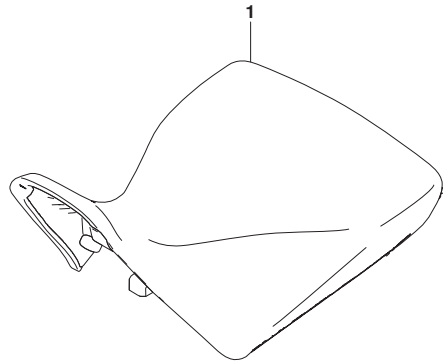


FIG.970D

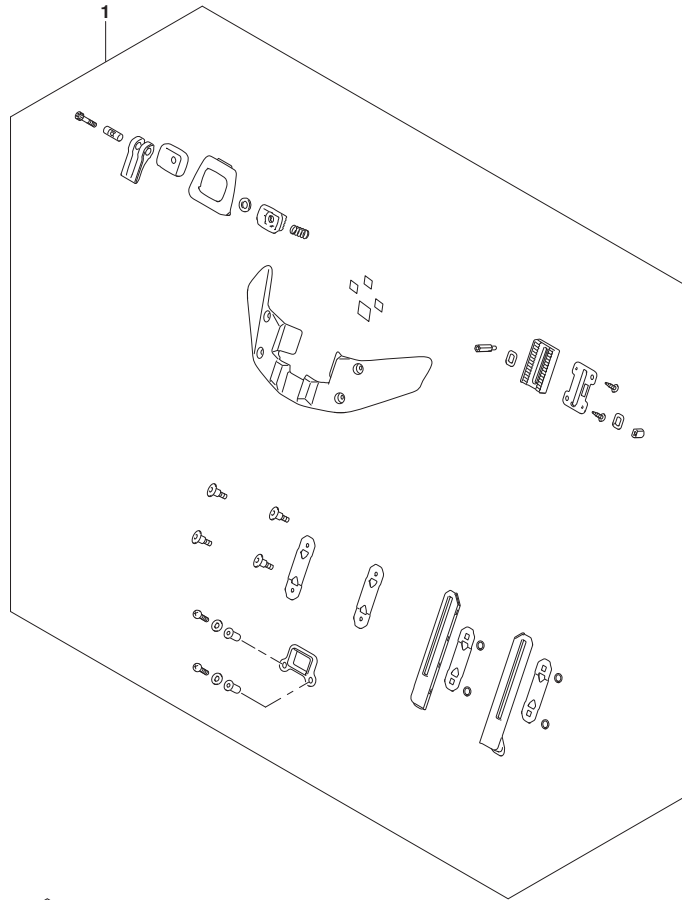


FIG.970D (1-H-15) OPTIONAL (DL1050RQ)(SEE NOTE 1)

REF NO.	PART NO.	DESCRIPTION	Q'TY	REMARKS
1	48400-06810-000	WINDSCREEN SET	1	

NOTE 1:
WINDSCREEN SET



FIG.970E

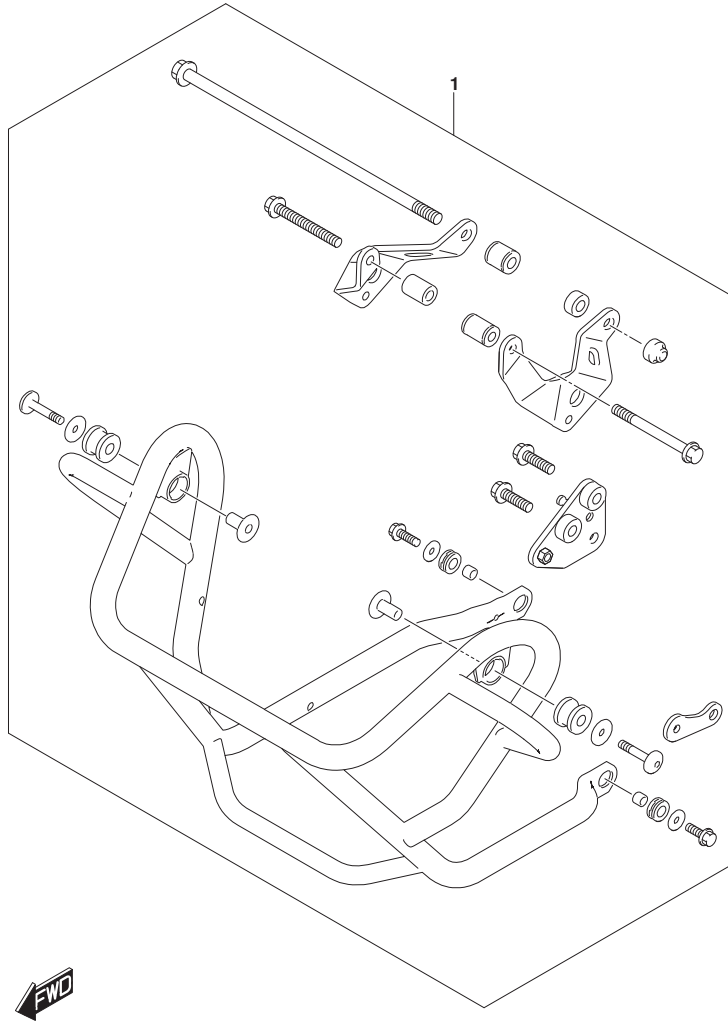


FIG.970E (1-H-16) OPTIONAL (DL1050RQ)(SEE NOTE 1)

REF NO.	PART NO.	DESCRIPTION	Q'TY	REMARKS
1	94200-06810-000	BAR SET,ACCESSORY	1	

NOTE 1:
ACCESSORY BAR SET

FIG.970F

FIG.970F (1-I-2) OPTIONAL (DL1050RQ)(SEE NOTE 1)

REF NO.	PART NO.	DESCRIPTION	Q'TY	REMARKS
1	94200-06820-000	COVER SET,UNDER	1	

NOTE 1:
UNDER COVER SET

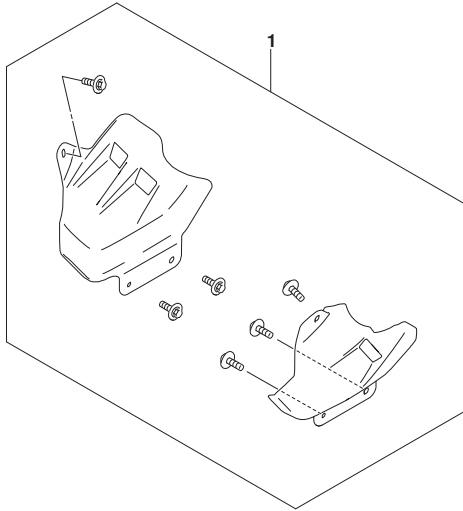


FIG.970G

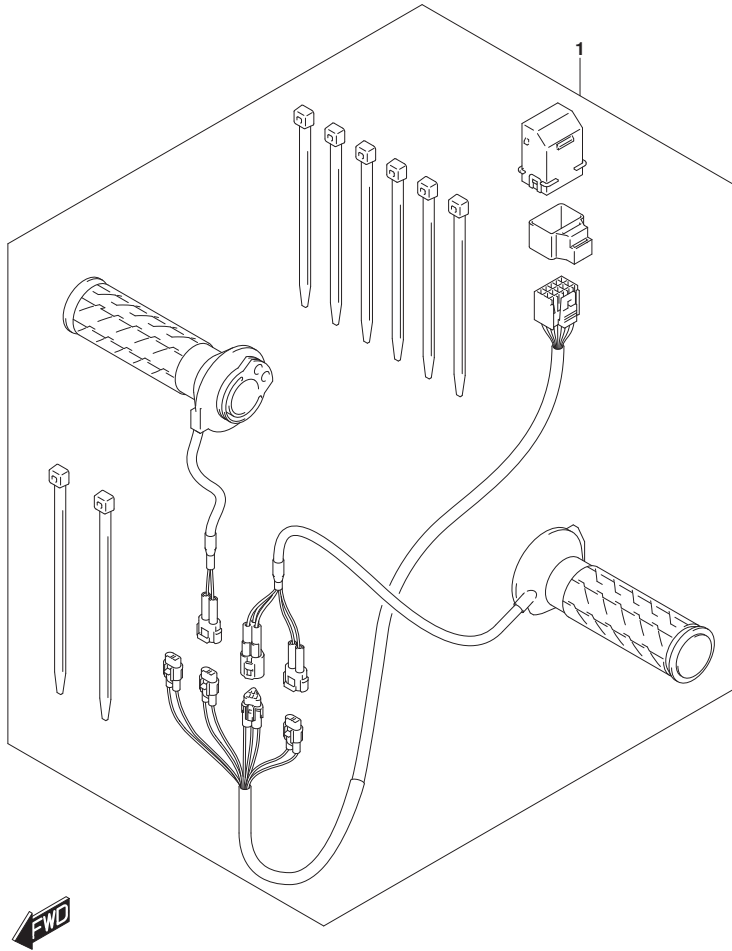


FIG.970G (1-I-3) OPTIONAL (SEE NOTE 1)

REF NO.	PART NO.	DESCRIPTION	Q'TY	REMARKS
1	57100-06820-000	HEATER SET,GRIP	1	

NOTE 1:
GRIP HEATER SET

FIG.970H

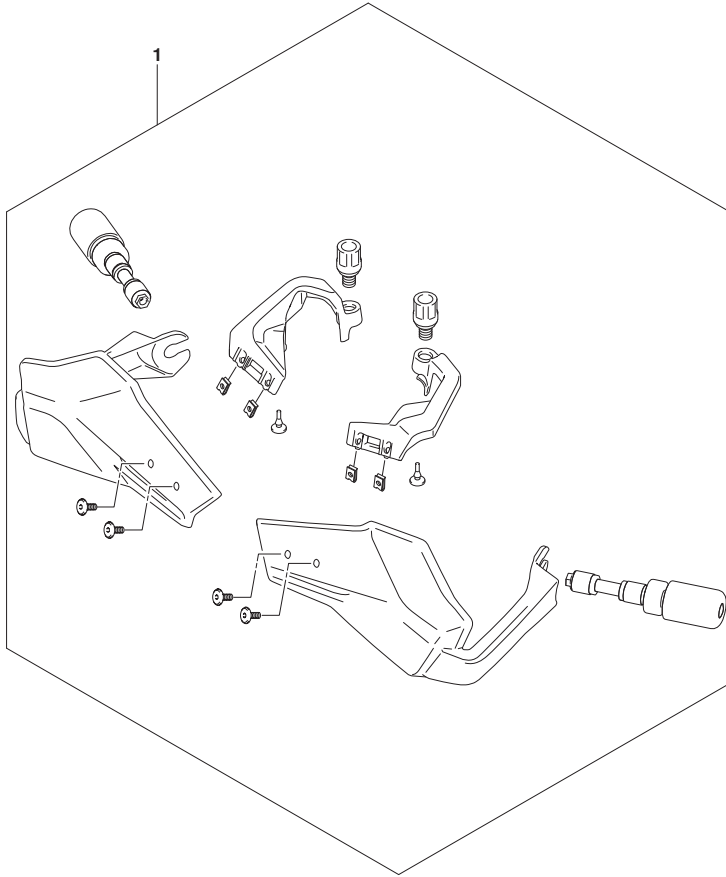


FIG.970H (1-1-4) OPTIONAL (DL1050RQ)(SEE NOTE 1)

REF NO.	PART NO.	DESCRIPTION	Q'TY	REMARKS
1	57300-06810-000	COVER SET, KNUCKLE	1	

NOTE 1:
KNUCKLE COVER SET



FIG.970J

FIG.970J (1-I-5) OPTIONAL (DL1050RQ)(SEE NOTE 1)

REF NO.	PART NO.	DESCRIPTION	Q'TY	REMARKS
1	47500-06810-000	BRACKET SET,SIDE CASE UPR	1	

NOTE 1:
SIDE CASE UPR BRACKET SET

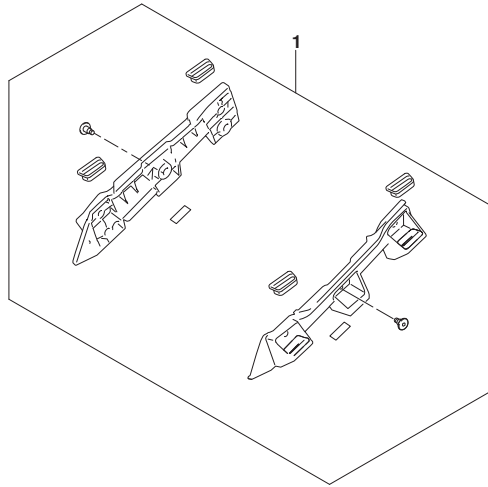


FIG.970K

FIG.970K (1-I-6) OPTIONAL (SEE NOTE 1)

REF NO.	PART NO.	DESCRIPTION	Q'TY	REMARKS
1	93300-31830-000	CASE SET, TOP	1	

NOTE 1:
TOP CASE SET

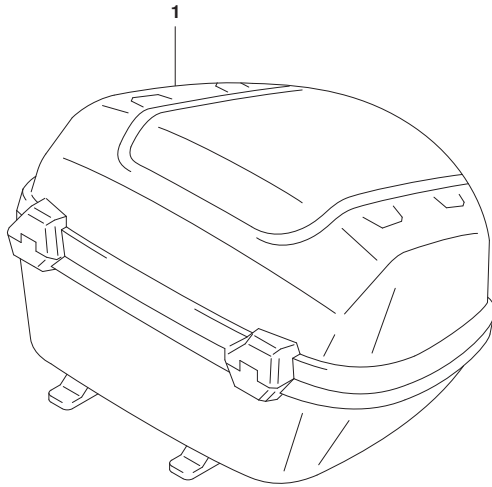


FIG.970L

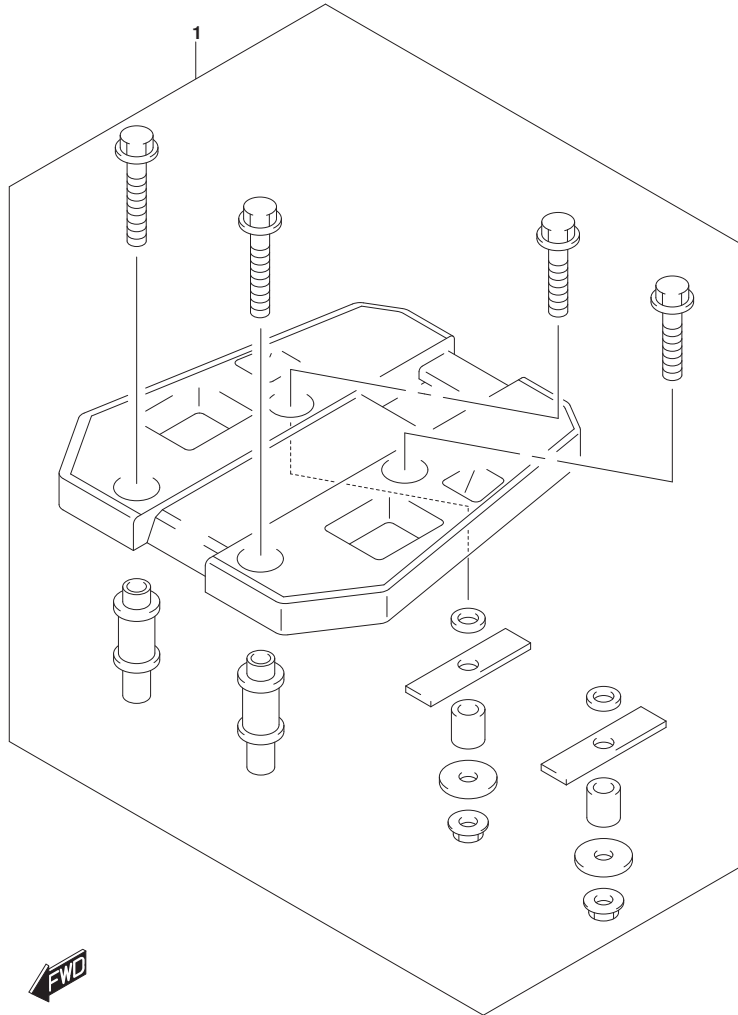


FIG.970L (1-I-7) OPTIONAL (SEE NOTE 1)

REF NO.	PART NO.	DESCRIPTION	Q'TY	REMARKS
1	93900-31830-000	PLATE SET, TOP CASE	1	

NOTE 1:
TOP CASE PLATE SET

FIG.970M

FIG.970M (1-I-8) OPTIONAL (SEE NOTE 1)

REF NO.	PART NO.	DESCRIPTION	Q'TY	REMARKS
1	93100-31840-000	CASE SET,SIDE	1	

NOTE 1:
SIDE CASE SET

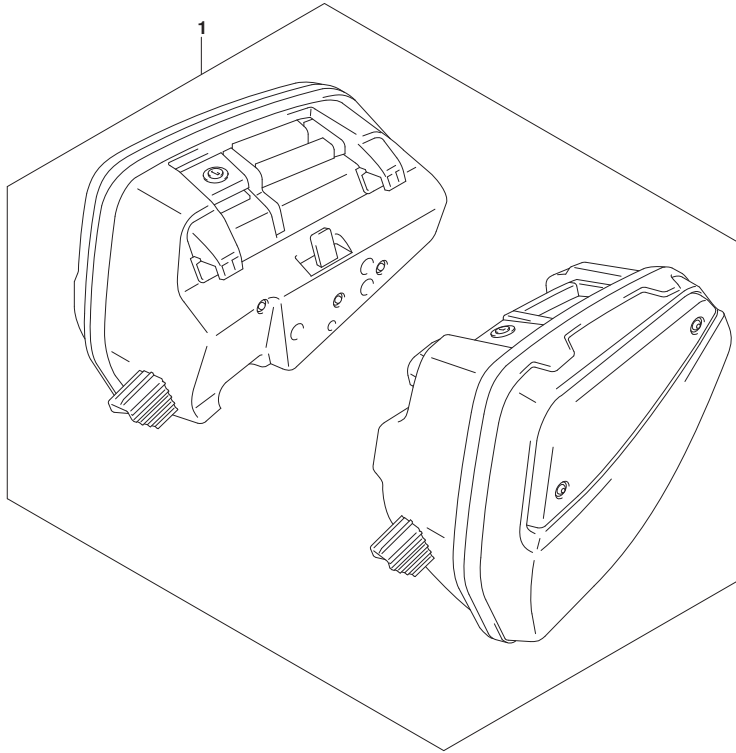


FIG.970N

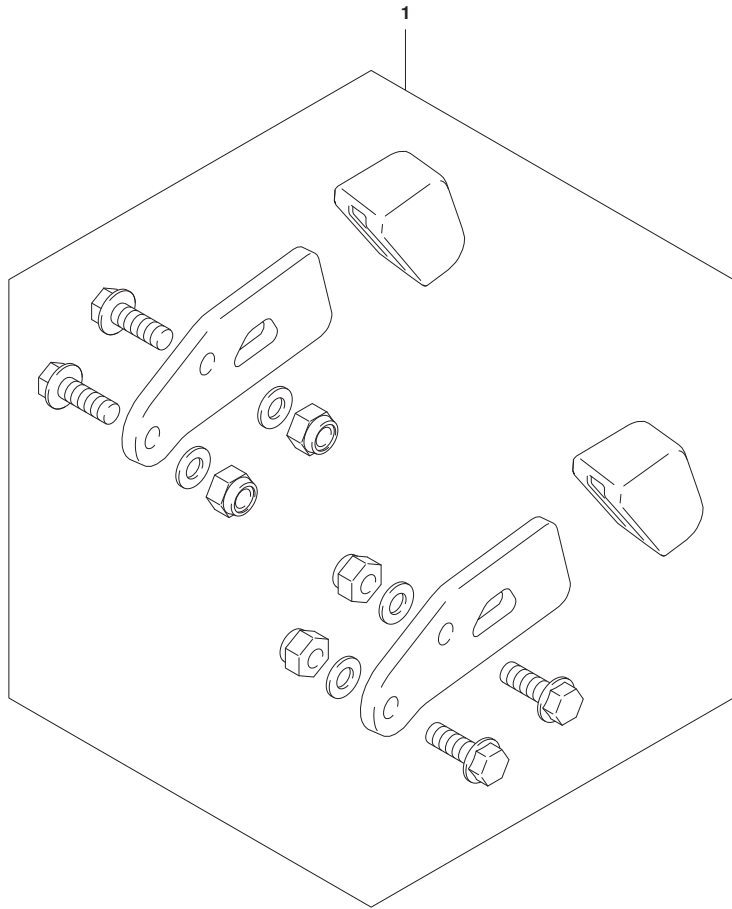


FIG.970N (1-I-9) OPTIONAL (SEE NOTE 1)

REF NO.	PART NO.	DESCRIPTION	Q'TY	REMARKS
1	93700-31840-000	BRACKET SET,SIDE CASE LWR	1	

NOTE 1:
SIDE CASE LWR BRACKET SET



FIG.970P

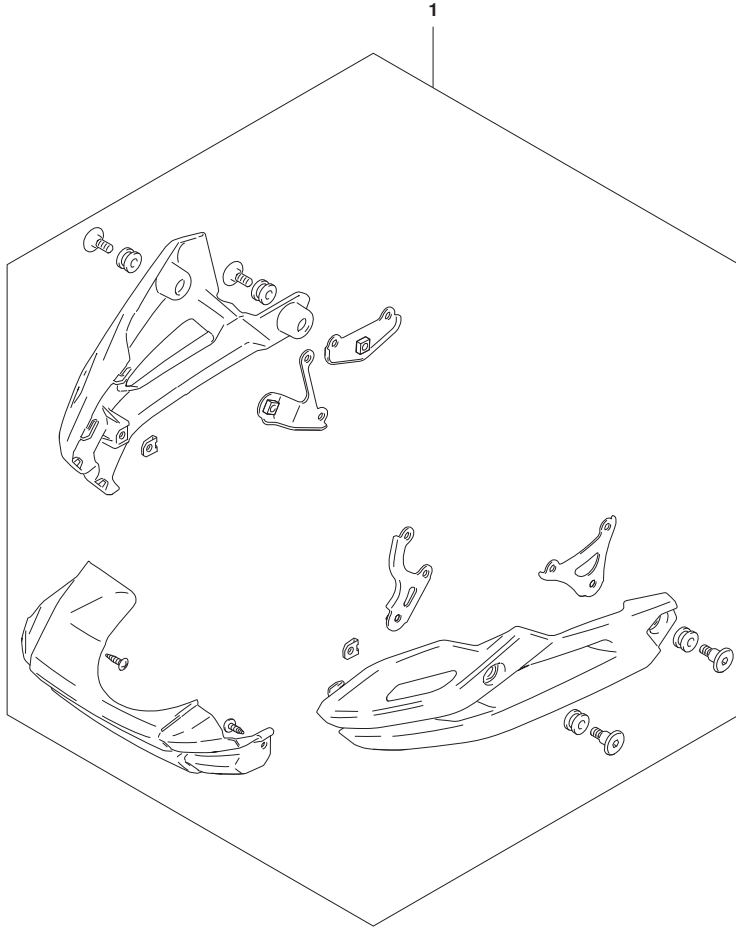


FIG.970P (1-I-10) OPTIONAL (DL1050RQ)(SEE NOTE 1)

REF NO.	PART NO.	DESCRIPTION	Q'TY	REMARKS
1	94400-06830-000	COWLING SET,UNDER	1	

NOTE 1:
UNDER COWLING SET



PART NO.	FIG.NO.-REF.NO.	PART NO.	FIG.NO.-REF.NO.	PART NO.	FIG.NO.-REF.NO.	PART NO.	FIG.NO.-REF.NO.	PART NO.	FIG.NO.-REF.NO.	PART NO.	FIG.NO.-REF.NO.	PART NO.	FIG.NO.-REF.NO.	
10000		11351-31J20-000	112A-11	12800-41810-000	126A-14	13601-11J00-000	140A-2	15122-17K00-000	172A-13	18560-04K01-000	427B-3			
		11360-31J00-000	112A-20	12810-06G00-000	127A-3	13602-29G01-000	140A-3	15201-07L00-000	172A-12	18561-06L00-000	427B-4			
		11362-31J00-000	112A-21	12815-06G00-000	127A-4	13623-48B00-000	444A-16	15310-17K00-000	172A-8	18561-06L10-000	427B-5			
		11381-06G00-000	112A-24	12830-30A01-000	127A-8	13650-41F10-000	155A-16	15420-17K00-000	172A-9	18562-06L00-000	427B-6			
		11383-06L00-000	112A-32	12832-02A00-000	127A-9	13650-49X00-000	187A-22	15610-17K00-000	172A-10	18563-06L10-000	427B-7			
	11100-31J10-000	105A-1	11390-06G10-000	109A-8	12832-06L00-000	127A-6	13655-41F10-000	155A-17	15710-31J00-000	140A-4	18563-06L20-000	427B-8		
	11100-31J20-000	104A-1		109B-8	12833-30A01-000	127A-10	13683-06L00-000	140A-8	15717-58B00-000	140A-5	18572-06L00-000	427B-9		
		104B-1	11401-31850-000	101A-1	12834-02A00-000	127A-11	13683-06L10-000	140A-9	15722-14J00-000	140A-6	18572-13K00-000	427B-10		
	11115-32E70-000	104A-4	11482-06G10-000	101A-8	12837-19B10-000	101A-11	13685-06L00-000	427B-1	15810-06L00-000	172A-16	18573-06L00-000	427B-11		
		104B-4		112A-3		127A-12	13700-06L01-000	155A-1	16321-02F00-000	170A-10	18575-06L00-000	427B-12		
	105A-4	11483-02F10-000	101A-9	12837-24A10-000	101A-12	13738-31J00-000	155A-19	16331-02F00-000	170A-3	18576-06L00-000	427B-13			
11117-33H00-000	104A-9		112A-12		127A-13	13741-31J00-000	155A-3	16400-02F80-000	170A-1	18590-18K00-000	155A-14			
	104B-9	11485-02F10-000	101A-10	12891-02F10-000	126A-12	13746-06L00-000	155A-6	16440-24F00-000	170A-7	18711-06L00-000	189A-6			
	105A-9		112A-25	12892-41C00-230	126A-13-1	13746-06L10-000	155A-7	16461-06L00-000	178A-6					
11134-31J10-000	104A-27	11611-06L00-000	109B-22	12892-41C00-235	126A-13-2	13780-31J00-000	155A-5	16471-06L00-000	178A-7					
	104B-27	11959-06L00-000	496A-6	12892-41C00-240	126A-13-3	13788-06L00-000	155A-13	16510-07J00-000	178A-1					
	105A-25	11971-25D00-000	112A-30	12892-41C00-245	126A-13-4	13826-22H00-000	104A-19	16520-32E01-000	170A-9					
11141-31J00-000	101A-2	11971-33210-000	112A-2	12892-41C00-250	126A-13-5		104B-19	16591-06L00-000	178A-2	20000				
	104A-5	12111-31J10-0F0	120A-8	12892-41C00-255	126A-13-6		105A-19	16600-06L00-000	178A-3					
	104B-5	12140-31J00-000	120A-9	12892-41C00-260	126A-13-7	13827-06L00-000	155A-8	17410-06L00-000	180A-1					
	105A-5	12151-02F10-000	120A-10	12892-41C00-265	126A-13-8	13850-31J00-000	155A-20	17435-02F00-000	101A-14		21111-02F11-000	120A-12		
11151-27G01-000	105A-30	12160-06G10-000	120A-4	12892-41C00-270	126A-13-9	13878-10G01-000	155A-10		180A-5		21112-02F00-000	120A-13		
11171-06L00-000	104A-20	12163-06G00-000	120A-5	12892-41C00-275	126A-13-10	13881-06L00-000	155A-2	17470-02F11-000	180A-3		21114-02F00-000	120A-14		
	104B-20	12164-31J00-0A0	120A-7-1	12892-41C00-280	126A-13-11	13882-06L00-000	155A-12	17491-16G00-000	180A-2		21200-31Y20-000	201A-1		
11172-31J10-000	105A-20	12164-31J00-0B0	120A-7-2	12892-41C00-285	126A-13-12	13891-31J00-000	155A-4	17662-02F11-000	187A-15		21411-31J10-000	201A-4		
11173-02F00-000	101A-3	12164-31J00-0C0	120A-7-3	12892-41C00-290	126A-13-13	14150-06L00-000	163A-1	17663-42E00-000	187A-16		21412-31J00-000	201A-5		
	104A-21	12164-31J00-0D0	120A-7-4	12892-41C00-295	126A-13-14	14160-06L00-000	163A-2	17670-06G51-000	187A-18		21413-31J00-000	201A-6		
	104B-21	12165-27A50-000	120A-6	12892-41C00-300	126A-13-15	14181-31D00-000	101A-13	17710-06L00-000	185A-1	21414-31J00-000	201A-7			
	105A-21	12220-31J00-000	120A-1	12892-41C00-305	126A-13-16		163A-3	17711-07L00-000	185A-6	21415-31J00-000	201A-35			
11178-17E00-000	101A-4	12229-06L00-0A0	120A-2-4	12892-41C00-310	126A-13-17	14205-06L00-000	163A-6	17730-08D10-000	185A-9	21441-31J00-000	201A-8			
	104A-22	12229-06L00-0B0	120A-2-5	12892-41C00-315	126A-13-18	14310-06L00-H01	163A-12	17800-06L00-000	185A-2	21442-31J00-000	201A-9			
	104B-22	12229-06L00-0C0	120A-2-6	12892-41C00-320	126A-13-19	14459-31J10-000	163A-13	17802-14F00-000	185A-7	21451-24F00-000	201A-10			
	105A-22	12229-31J00-0A0	120A-2-1	12892-41C00-325	126A-13-20	14760-06L00-000	163A-21	17851-06L00-000	187A-1	21452-31J00-000	201A-11			
11182-35F10-000	101A-5	12229-31J00-0B0	120A-2-2	12892-41C00-330	126A-13-21	14762-06L00-000	163A-22	17852-06L00-000	187A-2	21462-31J10-000	201A-12			
	104A-30	12229-31J00-0C0	120A-2-3	12892-41C00-335	126A-13-22	14771-18H00-000	163A-15	17853-02F10-000	187A-3	21471-24F00-000	201A-13			
	104B-30	12600-06811-000	122A-4	12892-41C00-340	126A-13-23	14771-42F50-000	163A-7	17856-16G10-000	187A-19	21472-24F00-000	201A-14			
	105A-28	12600-06G01-000	122A-6	12892-41C00-345	126A-13-24	14780-06L00-000	163A-23	17890-06G20-000	187A-4	23110-27A00-000	201A-19			
11191-27E00-000	104A-24	12612-06G00-000	122A-1	12892-41C00-350	126A-13-25	14784-06L00-000	163A-25	17900-27810-000	187A-11	23111-26D00-000	201A-20			
	104B-24	12618-31G00-000	122A-7	12911-16G00-000	126A-5	14785-06L00-000	163A-26	17910-31J00-000	187A-7	23121-31E00-000	201A-21			
	105A-24	12652-38B00-000	120A-3	12912-49XB0-000	126A-6	14791-06L00-000	163A-29	17920-31J00-000	187A-24	23160-06G20-000	201A-22			
11211-31J10-0F0	107A-1	12701-06L00-000	126A-1	12921-06G00-000	126A-7	14795-10FA0-000	163A-32	17931-31J00-000	187A-8	23163-06B00-000	201A-23			
11221-31J10-0F0	107A-2	12702-06L00-000	126A-2	12931-06G00-000	126A-8	15100-28K00-000	172A-1	17982-31J00-000	187A-10	23164-05A00-000	201A-24			
11241-31J00-000	101A-6	12703-06L00-000	126A-3	12932-24400-000	126A-11	15113-05H00-000	172A-2	17995-14JP1-000	496A-5	23166-06G10-000	201A-27			
	107A-3	12704-06L00-000	126A-4	12933-06G00-000	126A-9	15113-17K00-000	172A-3	18114-74P00-000	427B-2	23171-06G00-000	201A-32			
11242-06L00-000	101A-7	12716-06G00-000	127A-19	13101-06L00-000	104A-16	15113-35F00-000	172A-4	18213-04K00-000	163A-35	24120-06G00-000	206A-1			
	107A-4	12731-06G01-000	127A-26		104B-16	15113-48H00-000	172A-11	18450-28K00-000	189A-1	24130-02F30-000	206A-13			
11306-06840-000	108A-1	12750-31J10-000	127A-16	13102-06L00-000	105A-16	15114-17K00-000	172A-5	18461-06L00-000	189A-2	24221-02F01-000	206A-2			
11319-33E00-000	108A-2	12755-31J00-000	127A-17	13400-06L00-000	140A-1	15115-17K00-000	172A-6	18471-06L00-000	189A-3	24231-02F30-000	206A-3			
11340-06L00-000	112A-1	12760-23F20-000	127A-1	13412-06L00-000	312A-16	15116-17K00-000	172A-7	18510-29G31-000	189A-4	24251-02F11-000	206A-4			
11342-06G00-000	112A-7	12771-06G00-000	127A-2	13471-06L00-000	140A-7	15121-28K00-000	172A-14	18531-06G01-000	189A-5	24252-02F10-000	206A-5			

PART NO.	FIG.NO.-REF.NO.	PART NO.	FIG.NO.-REF.NO.	PART NO.	FIG.NO.-REF.NO.
24261-02F20-000	206A-6	31100-06L00-000	301A-1	34150-06L00-000	330A-2
24262-02F00-000	206A-7	31132-45C00-000	301A-2	34150-06LA0-000	330E-2
24311-06G00-000	206A-14	31143-38300-000	301A-3	34183-10C00-000	330A-4
24321-02F11-000	206A-16	31150-07F10-000	301A-4		330E-4
24322-02F01-000	206A-17	31156-48B00-000	301A-11	34189-08J01-000	330A-5
24331-02F20-000	206A-18	31170-06L00-000	301A-5		330E-5
24332-17E20-000	206A-19	31170-43400-000	301A-6	34810-06L00-000	172A-17
	206A-21	31172-38300-000	301A-7	34815-06L00-000	172A-18
24333-02F00-000	206A-25	31173-88C00-000	301A-8	35100-07L11-000	333A-1
	206A-26	31264-44110-000	301A-9	35529-77R00-000	333A-2
24333-02F10-000	206A-27	31281-24B10-000	301A-10	35601-06L00-000	334B-1
24341-02F30-000	206A-20	31497-45000-000	212A-37	35601-08JA0-000	334A-1
24351-02F20-000	206A-22	31800-06G01-000	312A-1	35602-06L00-000	334B-6
24361-02F30-000	206A-23	31861-47E00-000	312A-2	35602-08JA0-000	334A-5
24741-06G00-000	206A-36	32101-06L00-000	303A-1	35603-06L00-000	334B-11
24741-20A00-000	127A-24	32102-06L00-000	303A-2	35603-08JA0-000	334A-12
24741-21A00-000	206A-37	32371-13E30-000	303A-3	35604-06L00-000	334B-16
	212A-5	32800-31J00-000	312A-6	35604-08JA0-000	334A-16
24751-06G00-000	206A-38	32910-06L00-000	312A-26	35612-08JA0-000	334A-2
25211-17E02-000	212A-1	33410-06G01-000	312A-12		334A-17
25231-35F00-000	212A-2	33410-06L00-000	312A-13	35629-31F40-000	334A-9
25310-31J00-000	212A-6	33410-20H01-000	312A-14		334A-20
25312-42F01-000	212A-8	33410-26G01-000	312A-15	35632-08JA0-000	334A-6
25350-06G00-000	212A-12	33510-31G00-000	312A-21		334A-13
25355-38F00-000	212A-13	33510-31G10-000	312A-22	35690-06L00-000	334B-2
25381-13E30-000	212A-9	33542-06G00-000	312A-23		334B-7
25411-02F20-000	212A-3	33542-06G10-000	312A-24		334B-12
	212A-4	33542-38B00-000	312A-25		334B-17
25510-06G10-000	212A-16	33620-31J01-000	310A-1	35710-31J01-000	339A-1
25512-06G20-000	212A-17	33651-37000-000	312A-28	35710-31JA0-000	339C-1
25518-06L00-000	212A-22	33652-05G20-000	481A-16	35910-41G2-000	339A-4
25520-16G31-000	212A-24	33652-06L00-000	310A-4		339C-4
25525-11C00-000	212A-26	33652-06L10-000	310A-3	35912-41G01-000	339A-5
25526-47001-000	212A-25	33652-06L20-000	310A-5		339C-5
	212A-28	33652-06L30-000	310A-6	35913-41G00-000	339A-6
25600-31J11-000	212A-27	33652-16G00-000	310A-2		339C-6
25617-03F10-000	212A-30	33652-21G00-000	474A-1	35917-41G00-000	339A-8
25652-20C00-000	212A-29		474B-1		339C-8
25671-01011-000	212A-18	33652-28C00-000	310A-7	35950-13K01-000	460C-3
27511-20A21-000	206A-42	33652-36000-000	310A-8	36610-06L00-000	350A-1
27531-31J00-000	206A-43		312A-29	36610-06LA0-000	350C-1
27600-06G40-120	206A-44	33652-38A10-000	401A-5	36620-06L00-000	350A-6
27620-06G40-000	206A-45		401A-9	36620-06LA0-000	350C-6
		33810-06L00-000	310A-10	36651-48E00-000	310A-12
		33860-06L00-000	310A-11	36654-28K00-000	350A-7
		33960-25H00-000	312A-27		350C-7
		34100-06L00-000	330A-1	36744-06L00-000	350A-22
		34100-06LA0-000	330E-1		350C-21
		34111-17K00-000	330A-3	36856-06L00-000	350A-8
			330E-3	36856-06LA0-000	350C-8

30000

PART NO.	FIG.NO.-REF.NO.	PART NO.	FIG.NO.-REF.NO.	PART NO.	FIG.NO.-REF.NO.
36920-37H00-000	474A-2	42221-06L00-000	407A-21		420B-3
	474B-2	42241-31J00-000	407A-13	44160-06L00-000	444A-12
36990-06L00-000	355A-2		970A-2	44164-31J01-000	444A-13
	355B-2	42253-31J10-000	407A-14	44173-14J00-000	445A-1
37100-06L00-000	352A-2	42254-31J10-000	407A-15		445B-1
	352B-2	42260-06L00-000	407A-16	44179-06L00-000	420A-15
37101-06810-000	352A-1	42270-31J10-000	407A-17		420B-16
37101-06820-000	352B-1	42290-31J00-000	407A-18	44183-23H00-000	420A-16
37146-13K00-000	352A-6	42310-31J01-000	407A-1		420B-17
	352B-7		407C-1	44189-06L00-000	420A-17
37152-17K00-000	352A-3	42321-03FK0-000	407A-3		420B-18
	352B-3		407C-3	44200-17840-000	420A-3
37180-06L00-000	352A-4	42330-06L00-000	407A-6		420B-4
	352B-4	42330-31J00-000	407C-6	44244-11J00-000	420A-4
37400-06L00-000	355A-1	43111-06L00-000	407A-8		420B-5
37400-06L10-000	355B-1		407C-8	44271-06L00-000	423A-9
37730-31J10-000	212A-36	43130-24A00-000	530A-12	44276-21H01-000	420A-5
37740-06L00-000	350A-13		530B-11		420B-6
	350C-13		550A-22	44277-06L00-000	423A-1
37820-33D10-000	109A-20		550B-26	44281-18K01-000	474A-3
	109B-20	43251-31J00-000	350A-15		474B-3
37822-33D00-000	109A-21		350C-15	44291-06L00-YKV	423A-2
	109B-21	43259-31J00-000	350A-14	44292-06L00-000	423A-4
37840-24F01-000	350A-17		350C-14	44294-43H11-000	454A-6
	350C-17		43501-06L00-000		454B-5
38500-06L00-000	350A-19	43502-06L00-000	415A-11	44295-07L01-000	423A-3
	350C-19	43510-06G01-YAP	415A-1	44423-31J12-000	420A-24
38610-06F01-000	334A-23	43521-06G01-YAP	415A-2		420B-25
38610-06L00-000	334B-21	43530-06L00-000	415A-8	44423-31J21-000	420A-25
38850-31J00-000	350A-20	43540-06L00-000	415A-15		420B-26
38860-06L00-000	350A-23	43551-06L00-000	415A-6	44480-31J00-000	420A-26
	350C-22		415A-13	44511-16G01-000	444A-3
39105-06L00-000	350A-21	43552-06L00-000	415A-7	44512-16G00-000	444A-4
	350C-20		415A-14	44520-31J01-000	444A-5
		43576-48B40-000	415A-5	44523-47H00-000	420A-18
			415A-12		420B-19
		43580-31J00-000	401A-4	44530-06G00-000	420A-6
		43590-31J00-000	401A-8		420B-7
		43610-34A60-000	415A-21	44541-31J00-000	420A-7
		43612-33G30-000	415A-22		420B-8
41100-31J20-YAP	401A-1	43631-34A01-000	415A-23	44542-06G00-000	420A-8
41200-31J30-YAP	401A-2	43710-34A60-000	415A-24		420B-9
41921-16G00-000	401A-14	43811-31J00-YAP	415A-25	44542-06L00-000	444A-14
41921-47H00-000	401A-16	43821-31J00-YAP	415A-26	44542-31J00-000	420A-19
41922-19F20-000	401A-13	44100-06L00-YVB	420A-1		420B-20
41922-33E20-000	401A-15	44100-06L10-44X	420B-1-3	44543-31J01-000	444A-6
41941-19F01-000	401A-17	44100-06L10-ACX	420B-1-4	44545-06G00-000	420A-9
41942-02F00-000	401A-18	44100-06L10-YUH	420B-1-2		420B-10
42100-31830-000	970A-1	44100-06L10-YVB	420B-1-1	44545-06L00-000	420A-10
42100-31J10-000	407A-12		420A-2		420B-11

40000

PART NO.	FIG.NO.-REF.NO.	PART NO.	FIG.NO.-REF.NO.	PART NO.	FIG.NO.-REF.NO.
44550-31J00-000	420A-11	45517-16G20-000	312A-8	47711-06L00-YU1	445A-20-4
	420B-12	46311-31J11-000	412A-1	47711-06L00-YVB	445A-20-1
44552-24B00-000	312A-4	44511-06L00-YUH	445A-3-2	47711-06L10-YGS	445B-14
	420A-12	47111-06L10-000	445A-3-1	47811-06L00-000	445A-14
	420B-13		445B-3	47812-06L00-000	445A-18
44556-33H10-000	420A-20	47121-06L00-000	445A-4	47911-06L00-000	445A-15
	420B-21	47122-17K00-000	454B-1	47912-06L00-000	445A-19
44560-31J00-000	444A-7	47131-06L00-000	445A-5	47912-31J00-000	406A-6
44561-35F00-000	444A-8		445B-4		474A-4
44572-02F01-000	420A-21	47161-26J00-000	454A-10		474B-4
	420B-22		454B-10	47913-06L00-000	445A-21
44572-13G10-000	433A-1	47163-10FA0-000	420A-22		445B-15
	433B-1		420B-23	47915-31J00-000	460C-2
44885-44AA0-000	454A-1	47211-06L00-YUH	445A-6-2	48128-14FA0-000	406A-12
45100-06L01-B03	505A-1	47211-06L10-000	445A-6-1	48169-12JA0-000	481A-14
45100-06L11-B03	505B-1-1		445B-5	48400-06810-000	970D-1
45100-06L11-B1H	505B-1-2	47221-06L00-000	445A-7	48411-06L00-000	454A-2
45100-06L51-B03	970C-1	47310-06L00-6UX	445A-8-1		454B-2
45121-06L00-000	505A-21	47310-06L00-QEB	445A-8-3	48412-06L00-000	454A-7
	505B-27	47310-06L00-QRE	445A-8-2	48412-06L10-000	454B-6
45141-06L00-000	505A-3	47310-06L00-ZFX	445A-8-4	48413-06L00-000	454A-8
	505B-3	47310-06L10-B4X	445B-6-1	48413-06L10-000	454B-7
45148-27J00-000	445A-2	47310-06L10-B5X	445B-6-2	48415-06L00-000	454B-3
	445B-2	47312-06L00-000	445A-10	48416-06L00-000	454A-3
	505A-4		445B-8	48421-06L00-000	454A-11
45149-31300-000	505A-2	47350-06L00-6UX	445A-11-1	48421-06L10-000	454B-11
	505B-2	47350-06L00-QEB	445A-11-3	48422-06L00-000	454A-12
45154-06L00-000	505A-5	47350-06L00-QRE	445A-11-2		454B-12
	505B-4	47350-06L00-ZFX	445A-11-4	48423-06L00-000	454A-13
45220-04K20-000	505A-10	47350-06L10-B4X	445B-9-1	48423-06L10-000	454B-13
	505B-10	47350-06L10-B5X	445B-9-2	48431-06L00-000	454A-14
45256-06L00-000	505B-7	47410-06L00-000	406A-11	48431-06L10-000	454B-14
45280-06L00-000	505A-14	47414-06L00-000	406A-1	48432-06L00-000	454A-15
	505B-14	47415-06L00-000	406A-2		454B-15
45288-14F00-000	505A-11	47416-06L00-000	406A-3	48433-06L00-000	454A-16
	505B-11	47420-06L00-000	406A-16	48433-06L10-000	454B-16
45289-11F00-000	505A-13	47420-06L10-000	406A-18	48441-06L00-000	454A-17
	505B-13	47431-06L00-000	406A-4		454B-17
45290-17K00-000	505A-17	47500-06810-000	970J-1	48442-06L00-000	454A-18
	505B-17	47510-06L00-000	445A-13		454B-18
45300-06L00-B03	505A-15	47510-28K00-000	445A-16	48451-06L00-000	454A-19
45300-06L10-B03	505B-15-1		445B-11	48452-06L00-000	454A-20
45300-06L10-B1H	505B-15-2	47511-06L10-000	445B-12		454B-19
45312-06L00-000	505B-21	47512-10D00-000	406A-5	48453-06L00-000	454A-25
45313-06L00-000	505B-22	47512-28K00-000	415A-9	48454-06L00-000	454A-21
45321-06L00-000	505B-20		415A-16	48461-06L00-000	454A-22
45451-06L00-000	505A-9	47610-06L00-000	445A-17	48462-06L00-000	454A-26
	505B-9	47611-06L10-000	445B-13	48463-06L00-000	454A-27
45452-06L00-000	505A-8	47711-06L00-QEB	445A-20-3	48464-06L00-000	454A-28
	505B-8	47711-06L00-QRE	445A-20-2	48465-06L00-000	454A-29

PART NO.	FIG.NO.-REF.NO.	PART NO.	FIG.NO.-REF.NO.	PART NO.	FIG.NO.-REF.NO.
48466-06L00-000	454A-30	51332-06L00-QSC	524A-14	55610-06L10-000	533A-1
48467-06L00-000	454A-31	51351-31J30-000	521A-13	55660-06L00-000	533B-2
48471-06L00-000	454B-14		521A-30	55660-06L10-000	533A-2
48472-06L00-000	454A-33	51352-13A60-000	521A-8	55661-10G00-000	533A-4
48473-06L00-000	454A-34		521A-25		533B-4
48474-06L00-000	454A-35	51353-06L00-000	524A-9	55662-10G00-000	533A-5
48475-06L00-000	454A-36	51354-17H00-000	524A-10		533B-5
		51355-16G00-000	524A-11	55710-06L00-000	534A-1
		51356-24F50-000	524A-12		534B-1
		51410-31J10-QSC	524A-1	55731-06L00-000	534A-4
		51553-15D40-000	310A-9		534B-5
		51631-33E00-000	524A-19	55731-23H00-000	534A-5
		51641-33E00-000	524A-21		534B-4
		51643-41G00-000	524A-18	55734-06L00-000	534A-8
		51644-12C00-000	524A-2		534B-10
			524A-20	55750-06L00-000	534B-8
51103-06L00-000	521A-1	53110-31J01-000	460C-1	56111-06L00-000	462B-1
51104-06L00-000	521A-18	54111-31J00-019	530A-1		462D-1
51110-31J20-000	521A-2	54111-31J10-000	530B-1	56245-31J00-000	524A-15
51112-31J00-000	521A-15	54162-27G10-000	530A-7	56270-04F21-000	462B-2
			530A-7	56270-04FA1-000	462D-2
51120-31J20-000	521A-19		530B-9	56500-04F30-000	462B-3
51131-31J30-000	521A-12	54711-31J00-000	530A-5	56500-06L00-000	462D-3
			530B-12	56600-04F30-000	462B-4
51146-06L00-000	521A-7	54712-47H00-000	530A-13	56600-06L00-000	462D-4
			530B-13	57100-06820-000	970G-1
51152-31J00-000	521A-16	54731-33E20-000	530A-2	57100-06L00-000	467A-1
			530B-2	57100-06L10-000	467B-1
51153-44G00-000	521A-4	54751-41G10-000	530A-6	57110-06L00-000	467A-2
			530B-14		467B-2
51156-14200-000	521A-5	55110-06L00-000	530A-11	57211-21H01-000	467A-8
			530B-17		467B-8
51158-14200-000	521A-22	55156-66310-000	535A-7		467B-8
			535A-7	57300-06810-000	970H-1
51158-40F30-000	521A-3		535A-14	57300-10G32-000	467B-3
			555A-10	57300-10G40-000	467A-3
			530B-5-2	57341-06L00-000	472A-1
51166-24F60-000	521A-35	55311-31J00-000	530B-5-1	57342-06L00-000	472A-2
51166-40H20-000	524A-4	55311-31J10-000	530B-5-3	57342-06L00-000	467A-4
		55321-11J00-000	530B-6		467A-4
		55322-31J00-000	530B-7		467A-10
51171-31J00-000	521A-9	55326-11J00-000	530B-8		467B-4
			550B-5		467B-10
51173-02FA0-000	521A-26	55411-11J00-000	530B-18	57442-14500-000	467A-11
			550B-27	57460-14J02-000	467A-6
			550A-14-1		467B-6
51176-48G10-000	521A-11	55411-22H00-000	550A-23-1	57465-17C00-000	467A-7
			530A-14-2		467B-7
51178-31J00-000	521A-17	55412-22H00-000	530A-14-2	57500-24F22-000	467B-9
			550A-23-2	57500-24F40-000	467A-9
51310-06L00-QSC	524A-5	55413-22H00-000	530A-14-3	57541-06L00-000	472A-3
51321-06L00-000	524A-8		550A-23-3		472A-4
51331-06L00-QSC	524A-13	55610-06L00-000	533B-1	57542-06L00-000	472A-4

50000

PART NO.	FIG.NO.-REF.NO.	PART NO.	FIG.NO.-REF.NO.	PART NO.	FIG.NO.-REF.NO.	PART NO.	FIG.NO.-REF.NO.	PART NO.	FIG.NO.-REF.NO.	PART NO.	FIG.NO.-REF.NO.	
57560-02FA0-000	467A-12	59800-31810-000	539B-2	64111-31J10-000	550B-1	68271-06L00-B4M	433A-3-2	69200-06L00-000	558A-22			
	467B-12	59800-32F30-000	539B-1	64162-17G00-000	550A-7	68271-06L00-B81	433A-3-3	69200-06L20-000	558C-22			
59100-31810-000	535A-2	59866-23H00-000	539B-3		550B-7	68271-06L00-B82	433A-3-4	69211-06G00-000	550A-5	90000		
	535A-9	59871-23H10-000	539B-4	64511-35F20-000	550A-19	68271-06L00-B8Z	433A-3-1		550B-12			
59100-31820-000	535A-15	59892-08A00-000	539B-5		550B-22	68271-06L10-A7Q	433B-4-2	69243-16G00-000	558A-27			
59100-31J00-999	535A-1	59900-06L00-000	539B-16	64610-35F30-000	550A-14	68271-06L10-B4H	433B-4-1		558C-27		93100-31840-000	970M-1
59101-47810-000	535A-3	59915-06L00-000	539B-17		550B-15	68275-06L00-B4M	433A-4-2	69273-31J00-000	558A-30		93300-31830-000	970K-1
	535A-10	59921-06L00-000	539B-18	64651-35F30-000	550A-18	68275-06L00-B81	433A-4-3		558C-30		93700-31840-000	970N-1
59112-44B00-000	555A-4				550B-6	68275-06L00-B82	433A-4-4	69400-06L00-000	558A-23		93900-31830-000	970L-1
59121-01A00-000	201A-25			64711-31J00-000	550A-9	68275-06L00-B8Z	433A-4-1	69400-06L20-000	558C-23		94200-06810-000	970E-1
59121-18410-000	535A-6				550B-16	68281-06L00-B4M	433A-8-2	69486-31J00-000	558A-31		94200-06820-000	970F-1
	535A-13			64721-17K00-000	550A-10	68281-06L00-B81	433A-8-3		558C-31		94210-06L00-000	492A-1
	555A-9				550B-19	68281-06L00-B82	433A-8-4	69600-31J00-000	558A-1		94230-06L00-000	492A-2
59122-46H00-000	201A-26			64731-49G00-000	550A-2	68281-06L00-B8Z	433A-8-1		558C-1		94240-06L00-000	492A-3
59141-40F00-000	555A-6				550B-9	68281-06L10-A7Q	433B-9-2	69600-34830-000	558A-2		94251-06L00-000	492A-4
59141-41G10-000	535A-4	61000-31J21-YAP	541A-1	64733-35F00-000	550A-15	68281-06L10-B4H	433B-9-1		558C-2		94261-06L00-000	492A-5
	535A-11	61124-33E00-000	541A-17		550B-17	68281-47HA0-000	423A-5	69641-06L00-000	558A-29		94272-06L00-000	492A-6
59151-29G00-000	535A-5	61196-44H00-000	558A-28	64741-35F10-000	550A-12	68285-06L00-B4M	433A-9-2		558C-29		94273-06L00-000	492A-7
	535A-12		558C-28		550B-14	68285-06L00-B81	433A-9-3	69667-01H00-000	558A-12		94274-06L00-000	492A-8
59151-41G00-000	535A-18	61211-31J00-000	541A-6	64751-47H10-000	550A-13	68285-06L00-B82	433A-9-4		558C-12		94275-06L00-000	492A-9
59171-31J00-000	535A-16	61214-42E10-000	541A-7		550B-18	68285-06L00-B8Z	433A-9-1	69668-01H00-000	558A-15		94400-06830-000	970P-1
59199-06L00-000	535A-17	61251-41G00-000	541A-5	65110-06L00-000	550A-21	68319-06L00-000	496A-1-1		558C-15		94411-06L00-000	481A-1
59200-06L00-000	536B-5	61273-31J01-000	541A-9		550B-25	68319-06L20-000	496A-1-2	69669-18K00-000	558A-13		94413-06L00-YKV	481A-17
59200-06L20-000	536A-5	61281-31J00-000	541A-2	65311-31J00-000	550B-2-2	68319-06L30-000	496A-1-3		558C-13		94414-06L00-000	481A-18
59210-31J10-000	530A-9	61310-16G00-000	541A-15	65311-31J10-000	550B-2-1	68319-06L40-000	496A-1-4	69670-31J00-000	558A-5		94415-40F00-000	445A-22
	530B-15	61445-40F00-000	541A-12	65311-31J20-000	550B-2-3	68319-06L50-000	496A-1-5		558C-5		94415-40F00-000	445B-16
59240-06L00-000	536A-6	61446-40F00-000	541A-11	65321-31J00-000	550B-3	68319-06L70-000	496A-1-6	69672-00B20-000	558A-7		94417-24F00-000	445A-23
	536B-6	62100-06L01-17U	543A-14	65322-31J00-000	550B-4	68319-06L80-000	496A-1-7		558C-7		94417-24F00-000	445B-17
59260-06L00-000	536A-15	62278-14100-000	521A-14	65710-06L00-000	534A-2	68319-06L90-000	496A-1-8	69674-00B20-000	558A-9		94420-06L00-6UX	433A-2-1
	536B-15		521A-31		534B-2	68319-06LA0-000	496A-1-9		558C-9		94420-06L00-QEB	433A-2-3
59261-06L00-000	536A-14	62317-27C10-000	543A-2	68110-06L00-AA3	420B-2-1	68319-06LB0-000	496A-1-10	69686-34200-000	558A-8		94420-06L00-QRE	433A-2-2
	536B-14	62317-44B00-000	543A-5	68110-06L00-B1G	420B-2-2	68319-06LP0-000	496A-1-11		558C-8		94420-06L00-ZFX	433A-2-4
59300-31J00-999	535A-8	62317-47H00-000	543A-16	68110-06L00-B8Y	420B-2-3	68332-06L00-000	496A-2	69689-01H00-000	558A-14		94420-06L10-YVB	433B-2-1
59400-06L00-000	536B-10	62600-31850-000	543A-8	68110-06L00-BD7	420B-2-4	68386-14J01-000	496A-4		558C-14		94420-06L10-YYG	433B-2-2
59400-06L20-000	536A-10	62611-31J00-000	543A-1	68135-06L00-B4M	445A-9-2	68391-06L00-000	496A-3-1	69689-49300-000	537B-7		94425-06L00-000	433A-5
59600-10G30-000	537B-1	62647-47H00-000	543A-11	68135-06L00-B81	445A-9-3	68391-06L10-000	496A-3-2		539B-9			433B-5
59600-45870-000	537B-2	62658-37F10-000	543A-12	68135-06L00-B82	445A-9-4	68721-13E00-B5J	481A-5	69691-00A00-000	558A-3		94426-06L00-000	433A-6
59664-32F00-000	537B-10	62668-42A02-000	543A-3	68135-06L00-B8Z	445A-9-1	69100-31J00-999	555A-1		558C-3			433B-6
	539B-10		543A-6	68135-06L10-B4Q	445B-7-1	69100-44890-000	555A-2	69692-44H00-000	558A-4		94429-21E00-000	401A-7
59666-44300-000	537B-3	63111-06L00-000	474A-5	68135-06L10-B83	445B-7-2	69101-44890-000	555A-15		558C-4			401A-11
59667-49460-000	537B-4		474B-5	68145-06L00-B4M	445A-12-2	69102-05880-000	555A-3	69693-24A00-000	558A-6		94430-06L00-6UX	433A-7-1
	539B-6	63112-06L01-000	474A-6	68145-06L00-B81	445A-12-3	69105-44G00-000	555A-7		558C-6		94430-06L00-QEB	433A-7-3
59668-41C00-000	537B-5	63112-06L11-000	474B-6	68145-06L00-B82	445A-12-4	69115-44G00-000	555A-5	69730-06L00-000	558A-16		94430-06L00-QRE	433A-7-2
	539B-7	63115-37H00-000	401A-6	68145-06L00-B8Z	445A-12-1	69116-44G00-000	555A-8		558C-16		94430-06L00-ZFX	433A-7-4
59669-10G00-000	537B-6		401A-10	68145-06L10-B4Q	445B-10-1	69132-44G10-000	555A-16	69740-06L00-000	558A-11		94430-06L10-YVB	433B-7-1
	539B-8		481A-3	68145-06L10-B83	445B-10-2	69133-44G00-000	555A-17		558C-11		94430-06L10-YYG	433B-7-2
59671-32F00-000	537B-8	63131-10F00-000	185A-10	68181-06L00-AV4	433B-3-2	69150-31J00-000	555A-11	69750-06L00-000	558A-32		94441-06L00-000	433A-10
	539B-11	63411-06L00-000	474A-7	68181-06L00-BD7	433B-3-1	69182-44G00-000	555A-12		558C-32			433B-10
59675-02FA0-000	537B-9		474B-7	68191-06L00-AV4	433B-8-2	69185-44G00-000	555A-13				94451-06L00-000	433A-11
	539B-12	64111-31J00-019	550A-1	68191-06L00-BD7	433B-8-1	69186-44G00-000	555A-14					433B-11

PART NO.	FIG.NO.-REF.NO.	PART NO.	FIG.NO.-REF.NO.	PART NO.	FIG.NO.-REF.NO.
94463-06L00-000	433A-12	534A-7	01550-1235B-000	407A-7	
	433B-12	534B-3	02112-0612A-000	112A-8	
94464-06L00-000	433A-13	534B-7		206A-40	
	433B-13	536A-12	02122-0616B-000	104A-18	
94471-06L00-000	433A-14	536B-12		104B-18	
	433B-14	189A-10		105A-18	
94479-35F00-000	445A-24	01547-0620A-000	112A-27	02142-0520A-000	454A-39
	445B-18	01547-0625A-000	212A-33	02142-0616B-000	558A-26
	481A-19	01547-0625B-000	301A-14		558C-26
94481-06L00-000	433A-15		536A-13	03211-0414B-000	334A-3
	433B-15		536B-13		334A-7
94510-06L00-000	481A-13	01547-0630A-000	108A-4	334A-14	
94630-06L00-B5J	481A-4	01547-0635A-000	112A-28	334A-18	
94632-06L00-000	481A-6	01547-0670A-000	108A-5	03211-0416A-000	339A-9
94633-06L00-000	481A-7	01547-0685A-000	108A-6		339C-9
94642-10GA0-000	423A-6	01550-0610A-000	112A-9	03511-0516A-000	155A-18
95643-58J00-000	330A-8		187A-25	03541-0416A-000	330A-7
	330E-8	01550-0612A-000	104A-12		330E-7
95700-14F00-000	505A-12		104B-12	03541-0512A-000	454A-40
	505B-12		105A-13		454B-9
95700-31870-000	352B-6		350A-16	03541-0512B-000	406A-9
99000-69471-000	126A-15		350C-16		433A-20
99011-06L51-01A	496A-7-1		407C-7		433B-20
99011-06L51-01E	496A-7-2		534B-9	03541-0516A-000	339A-3
99011-06L51-01F	496A-7-3	01550-0616A-000	187A-17		339C-3
99011-06L51-01H	496A-7-4		444A-9		406A-10
99011-06L51-01K	496A-7-5		505A-7		481A-2
99011-06L51-01T	496A-7-6		505A-23	03541-0520A-000	155A-9
99011-06L51-01W	496A-7-7		505B-5		155A-15
99011-06L51-029	496A-7-8		505B-29	03541-0616B-000	474A-11
99011-06L51-070	496A-7-9		533A-3		474B-11
			533B-3	04111-2015A-000	558A-20
		01550-0620A-000	406A-17		558C-20
			406A-19	04211-09149-000	112A-4
			505B-23		112A-13
		01550-0620B-000	406A-20		112A-29
		01550-0635A-000	505B-24		180A-10
		01550-0695A-000	444A-10	04211-13189-000	104A-6
		01550-0812A-000	109A-10		104B-6
			109B-10		105A-6
		01550-0816A-000	420A-13		107A-5
01421-0616A-000	406A-13		420B-14	04221-04089-000	212A-7
01421-0620A-000	107A-7		481A-15	04221-08149-000	201A-28
01421-0625B-000	406A-14	01550-0820B-000	492A-18	07120-0512A-000	415A-10
01547-0512B-000	352A-5		420A-14		415A-17
	352B-5	01550-0835A-000	420B-15	07120-0612A-000	127A-5
01547-0612A-000	558A-21		407A-19		539B-20
	558C-21	01550-1035B-000	104A-25	07120-0616A-000	172A-15
01547-0612B-000	536A-11	01550-1050A-000	104A-26	07120-0890A-000	108A-7
	536B-11	01550-1070A-000	104B-25	07130-0510A-000	212A-38
01547-0616B-000	534A-3	01550-1085B-000	104B-25		

00000

PART NO.	FIG.NO.-REF.NO.	PART NO.	FIG.NO.-REF.NO.	PART NO.	FIG.NO.-REF.NO.
07130-0512A-000	303A-6		524A-16	09103-12141-000	109B-15
	530A-8		550A-20	09103-14001-000	303A-4
	530B-10		550B-23	09106-05023-000	212A-39
	550A-8	08322-0105A-000	454A-41	09106-06075-000	104A-28
	550B-8	08322-0106A-000	558A-19		104B-28
	187A-6		558C-19		105A-26
07130-0612A-000	206A-41	08322-0106B-000	474A-12		109A-6
	427B-24		474B-12		109B-6
07130-0620A-000	127A-15	08322-0108A-000	108A-9	09106-06078-000	163A-30
07130-0620B-000	127A-14	08331-31109-000	170A-6	09106-06088-000	312A-9
07130-0625A-000	170A-2	08331-3112A-000	212A-35	09106-06090-000	454A-37
	170A-2	08331-3114A-000	212A-23	09106-06120-000	303A-7
07130-0660B-000	427B-25	08331-3118A-000	407A-11	09106-07021-000	104A-23
07130-0665B-000	201A-29		407C-11		312A-10
07130-0670B-000	201A-30				104A-23
07130-0825A-000	163A-5	08331-31409-000	120A-15		104B-23
07130-0840B-000	401A-19	08331-31509-000	170A-12		105A-23
	401A-20	08332-1104B-000	415A-29	09106-08106-000	122A-5
07130-1016B-000	420A-28	08332-1106B-000	415A-20	09106-08131-000	415A-27
08112-6303A-000	127A-22	08332-1108A-000	180A-7	09106-08136-000	108A-8
08113-69050-000	212A-11	08361-35066-000	301A-13	09106-08142-000	108A-3
08211-06141-000	212A-15	08361-3506A-000	301A-15	09106-08160-000	550A-6
08310-32068-000	301A-12	09100-08287-000	541A-13		550B-13
08316-1005A-000	334A-10	09103-06220-000	104A-14	09106-08162-000	163A-14
	334A-21		104B-14	09106-08167-000	454A-23
	334B-5		105A-10		454B-20
08316-1006A-000	334B-10	09103-06266-000	104A-3	09106-08178-000	163A-4
	334B-15		104B-3	09106-08195-000	163A-16
	334B-20		105A-3	09106-08197-000	163A-8
	406A-15	09103-06285-000	420A-23	09106-08200-000	415A-3
	427B-26		420B-24	09106-08207-000	492A-10
	505A-18	09103-06314-000	112A-26	09106-08208-000	530A-10
	505A-19	09103-06529-000	112A-5		530B-16
	505B-18		180A-8	09108-06096-000	104A-10
	505B-25	09103-06530-000	112A-14		104B-10
	104A-11		112A-22		105A-11
08316-1006B-000	104B-11	09103-06535-000	112A-23	09108-06124-000	107A-6
	105A-12	09103-06536-000	180A-9	09108-08143-000	104A-7
	107A-8	09103-06538-000	112A-6		104B-7
08316-1008A-000	541A-14	09103-06539-000	112A-15		105A-7
08316-1008B-000	104A-8	09103-08357-000	350A-18	09111-06041-000	212A-14
	104B-8		350C-18	09111-06085-000	187A-9
	105A-8	09103-08568-000	412A-2	09111-10058-000	407A-2
	163A-20	09103-10033-000	543A-17		407C-2
08316-1606B-000	467B-11	09103-10205-000	109A-17	09116-06009-000	444A-15
08319-2106A-000	467A-5		109B-17	09116-06165-000	474A-8
	467B-5	09103-10226-000	109A-18		474B-8
08319-3106A-000	312A-7		109B-18	09116-06527-000	492A-11
	444A-11	09103-10428-000	543A-19	09116-08176-000	163A-11
08319-3110A-000	109A-19	09103-10475-000	104B-26	09118-06097-000	185A-5
	109B-19	09103-12016-000	109A-15	09118-06112-000	444A-1

PART NO.	FIG.NO.-REF.NO.	PART NO.	FIG.NO.-REF.NO.	PART NO.	FIG.NO.-REF.NO.
09119-06109-000	460C-4	09159-05045-000	454A-38	09168-12018-000	127A-7
09125-06060-000	541A-18	09159-06096-000	312A-11	09168-14002-000	109A-13
09125-06122-000	212A-10		339A-11		109B-13
09126-06011-000	127A-25		339C-11		112A-19
	206A-39	09159-10115-000	543A-18	09168-16002-000	109A-11
09128-06013-000	312A-5	09159-12056-000	109A-16		109B-11
09139-05091-000	433A-16		543A-4	09169-06073-000	334B-3
	433B-16		543A-7		334B-8
	445A-25		543A-13		334B-13
	445A-26	09159-12081-000	109B-16		334B-18
	445B-19	09159-20004-000	206A-46	09169-07007-000	454B-21
	445B-20	09159-20006-000	541A-8	09169-08053-000	412A-3
	481A-8	09159-24010-000	201A-15	09180-06195-000	312A-17
	481A-9	09160-04026-000	330A-6	09180-06198-000	312A-18
	481A-20		330E-6	09180-06255-000	312A-19
09139-05092-000	401A-12	09160-05501-000	339A-2	09180-06263-000	339A-10
	472A-5		339C-2		339C-10
09139-05094-000	481A-10	09160-06055-000	163A-31	09180-06264-000	444A-2
09139-05098-000	112A-33	09160-06125-000	427B-14	09180-06290-000	185A-4
09139-06128-000	163A-27	09160-06151-000	427B-15	09180-06314-000	505B-19
09139-06169-000	445A-27	09160-08043-000	460C-5	09180-08152-000	163A-9
	445B-21	09160-08114-000	427B-16		492A-14
09139-06172-000	423A-7	09160-08157-000	492A-12	09180-08156-000	163A-17
	433A-17	09160-08162-000	163A-19	09180-08230-000	492A-15
	433B-17	09160-08177-000	492A-13	09180-12140-000	122A-3
09139-06192-000	558A-33	09160-12011-000	212A-32	09181-10158-000	170A-4
	558C-33	09160-12037-000	543A-20	09181-10195-000	122A-8
09139-06193-000	505A-20	09160-15045-000	201A-31	09181-14167-000	212A-19
	505B-26	09160-18022-000	407A-9	09181-16212-000	127A-21
09139-06206-000	454A-4		407C-9	09181-20251-000	206A-28
09139-06221-000	558A-10	09160-25009-000	206A-47	09181-21002-000	178A-4
	558C-10	09160-25056-000	201A-16	09181-22167-000	206A-8
09139-06225-000	541A-16	09160-25070-000	550A-11	09181-22223-000	206A-29
09139-06226-000	541A-10		550B-24	09181-25223-000	201A-18
09139-06229-000	423A-8	09160-25074-000	201A-2	09200-06037-000	558A-18
09139-06231-000	333A-4	09160-27008-000	206A-24		558C-18
09139-06232-000	333A-5	09161-10009-000	536A-4	09206-08001-000	104A-2
09139-10006-000	401A-3		536B-4		104B-2
09140-06020-000	212A-34		539B-15		105A-2
09140-06025-000	212A-31		558A-25	09206-10016-000	104A-31
09140-16001-000	127A-20		558C-25		104B-31
09140-22012-000	120A-17	09164-22007-000	120A-18		105A-29
09148-05038-000	481A-21	09164-24008-000	201A-17	09206-12002-000	122A-2
09148-05052-000	445A-28	09168-06023-000	104A-13	09208-06010-000	415A-28
	445B-22		104B-13	09208-08023-000	415A-18
	472A-6		105A-14	09247-14036-000	109A-14
	474A-9	09168-06026-000	112A-10		109B-14
	474B-9	09168-08016-000	109A-9	09248-14010-000	112A-18
	481A-22		109B-9	09248-16012-000	109A-12
09148-06018-000	406A-7	09168-12017-000	187A-23		109B-12

PART NO.	FIG.NO.-REF.NO.	PART NO.	FIG.NO.-REF.NO.	PART NO.	FIG.NO.-REF.NO.
09250-06015-000	524A-22	09283-14005-000	212A-20		536B-3
09259-36021-000	112A-16	09283-38028-000	206A-32		539B-13
09261-04009-000	170A-5	09284-37002-000	550A-4	09360-10069-000	536A-2
09261-06002-000	170A-11		550B-11		536B-2
09262-10016-000	180A-6	09285-20005-000	543A-10	09367-06009-000	427B-19
09262-20082-000	206A-30	09285-32004-000	530A-4	09367-08005-000	420A-27
09262-20139-000	206A-9		530B-4		420B-27
09262-25006-000	127A-23	09285-39001-000	550A-17	09380-27001-000	206A-12
09262-25073-000	206A-10		550B-21		206A-33
09262-25191-000	530A-3	09289-05015-000	126A-10		206A-34
	530B-3	09320-04013-000	163A-33		206A-35
09262-28053-000	206A-31	09320-06027-000	427B-17	09381-22002-000	120A-11
09262-28062-000	550A-3	09320-08029-000	445A-29	09401-06101-000	427B-20
	550B-10		445B-23	09401-08411-000	187A-13
09262-32024-000	550A-16	09320-08066-000	163A-24	09401-10401-000	427B-21
	550B-20		163A-28	09401-10409-000	427B-22
09263-15003-000	201A-33	09320-08515-000	427B-18	09401-11413-000	427B-23
09263-17046-000	543A-15	09320-09016-000	454A-5	09401-12412-000	558A-17
09263-20063-000	543A-9		454B-4		558C-17
09263-20070-000	541A-3	09320-09501-000	333A-6	09401-12414-000	187A-21
09263-22068-000	206A-15	09320-10051-000	185A-3	09401-14301-000	155A-11
09263-27015-000	541A-4	09320-10066-000	533A-6	09401-15101-000	189A-8
09263-35013-000	201A-3		533B-6	09401-16407-000	178A-8
09267-30010-000	524A-3	09320-10069-000	505A-6	09401-17201-000	189A-9
	524A-17		505B-6	09401-18101-000	189A-7
09280-04004-000	109A-2	09320-10078-000	333A-3	09401-22405-000	155A-21
	109A-5	09320-12048-000	492A-16	09401-24002-000	187A-12
	109B-2	09320-12049-000	163A-18	09401-25001-000	187A-14
	109B-5	09320-12068-000	492A-17	09401-29001-000	187A-20
09280-05007-000	109A-7	09320-12077-000	163A-10	09403-06324-000	536A-8
	109B-7	09320-20011-000	445A-30		536B-8
09280-08012-000	112A-34		445B-24	09403-07331-000	539B-19
09280-13004-000	170A-8	09321-06026-000	472A-7	09403-07344-000	536A-7
09280-13007-000	109A-3		474A-10		536B-7
	109B-3		474B-10	09403-10319-000	350A-10
09280-17003-000	112A-31	09321-06033-000	472A-8		350C-10
09280-17004-000	206A-11	09321-10012-000	505A-16	09403-16412-000	536A-9
09280-18008-000	187A-5		505A-22		536B-9
09280-19005-000	104A-29		505B-16	09404-06429-000	180A-12
	104B-29		505B-28		334A-11
	105A-27	09321-10018-000	163A-34		334A-22
09280-24010-000	206A-48	09321-10046-000	407A-20		334B-4
09280-33004-000	101A-15	09329-18001-000	185A-8		334B-9
	112A-17	09352-42704-140	180A-11		334B-14
09280-55005-000	104A-17	09360-10042-000	536A-1		334B-19
	104B-17		536B-1		350A-9
	105A-17		539B-14		350C-9
09280-60005-000	178A-5		558A-24	09407-14407-000	310A-13
09283-06008-000	201A-34		558C-24		350A-11
09283-10005-000	180A-4	09360-10053-000	536A-3		350C-11

SUZUKI DL1050RCM1 PARTS CATALOGUE

SUZUKI MOTOR CORPORATION All rights reserved

No part of this document may be reproduced or transmitted in any form or by any means, electronic or mechanical, for any purpose, without the express written permission of Suzuki Motor Corporation.

SUZUKI MOTOR CORPORATION

Technical Readiness Group, Quality Administration Department
300 Takatsuka, Minami, Hamamatsu, Japan

Copyright © SUZUKI MOTOR CORPORATION 2020 All Rights Reserved

SUZUKI MOTOR CORPORATION

PRINTED IN JAPAN

9900B-31736-000