

SUZUKI

PARTS CATALOGUE

GSX-R1000AM1

(JS1DM11AZ/JS1DM11GZ)

GSX-R1000A
GSX-R1000ZA
GSX-R1000RA
GSX-R1000RZA



E06

2020-7

1ST EDITION

PREFACE

When it becomes necessary to replace parts on SUZUKI MOTORCYCLES, always use SUZUKI GENUINE PARTS which have passed a strict inspection which guarantees quality and performance.

This parts catalogue covers the list of all service parts for SUZUKI GSX-R1000AM1, GSX-R1000RAM1, GSX-R1000ZAM1, GSX-R1000RZAM1.

INSTRUCTIONS FOR QUOTING THE CATALOGUE

1. DIMENSIONS

Dimensions of the parts in this catalogue are indicated in unit millimeters.

2. ABBREVIATIONS

Abbreviations used in this catalogue are as follows:

AR	: As required	NT	: Number of teeth
ASSY	: Assembly	OPT	: Optional
E.NO.	: Engine number	OS	: Over size
F.NO.	: Frame number	STD	: Standard
D	: Diameter of material	T	: Thickness
ID	: Inside diameter	US	: Under size
OD	: Outside diameter	W	: Width
L	: Length		
LH	: Left hand side		
RH	: Right hand side		
~100045	: Up to F.NO. 100045		
100046~	: From F.NO. 100046		
12 x 34 x 5.6 Figures in the description column		
	show the dimensions of parts.		
ID OD T(or W,L)			

→12345-56781 (Parts No.) : indicates that the parts number was changed to 12345-56781 and the new parts are interchangeable with the former ones but the former ones are not interchangeable with new ones.

←12345-56781 (Parts No.) : indicates that the former and new parts are interchangeable with each other and both are usable.

3. INNER PARTS OF ASSEMBLY

Part name with a dot (.) in front as shown in the description column indicates the component of the assembly also available individually.

4. MODIFICATION NOTICE

A parts bulletin will be sent to you on all occasions when changes in parts occur, including interchangeable modifications between new parts and old ones.

5. NOTE

5-1. There are some different parts from those of production models among spare parts for the administrative reasons and common use of them with other models.

5-2. In respect of rubber hoses and vinyl tubes, please be sure to use them by cutting off according to the length mentioned on parts catalogue or what is actually required on the vehicle.

5-3. Note that the drawings on the illustration page are for ready reference of spare parts number, not to be used as an assembly manual. When assembling, use "SUZUKI SERVICE MANUAL".

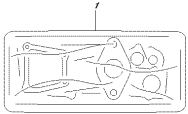
6. SPECIFICATION CODE

This catalogue contains the parts for the model designed for the following spec. ;
spec. code : E06.

7. SERIAL FRAME NUMBER

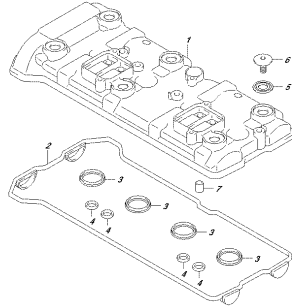
GSX-R1000AMO : JS1DM11AZM7100001~
GSX-R1000RAMO : JS1DM11AZM7100001~
GSX-R1000ZAMO : JS1DM11GZM7100001~
GSX-R1000RZAMO : JS1DM11GZM7100001~

FIG. 101A



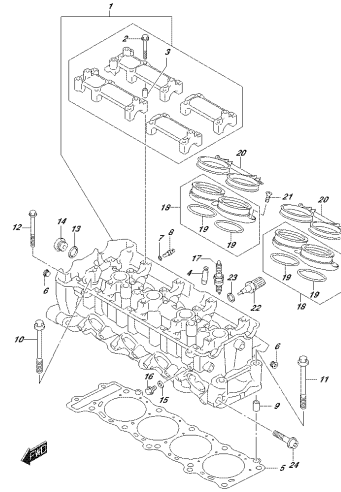
05K410204M1_EBE_101A
CDAHEF.027

FIG. 102A



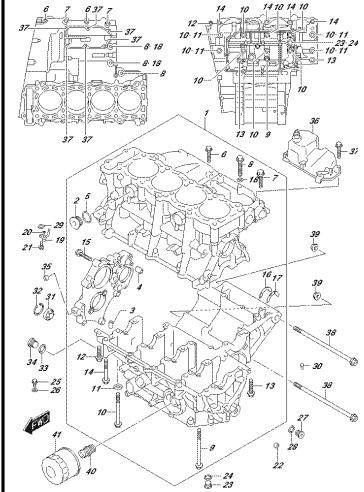
05K410204M1_EBE_102A
CDAHEFHERK120M7

FIG. 103A



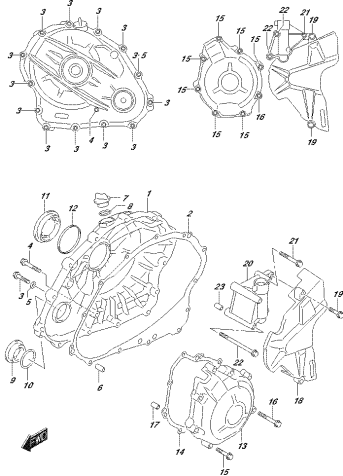
05K410204M1_EBE_103A
CDAHEFHERK

FIG. 108A



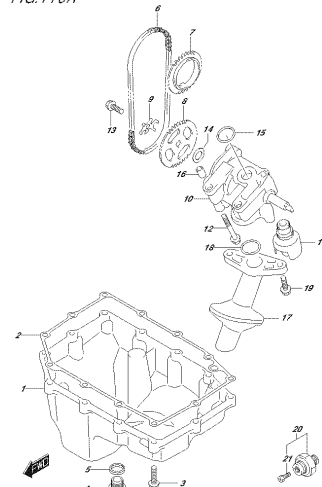
05K410204M1_EBE_108A
CDAHEFHERK

FIG. 112A



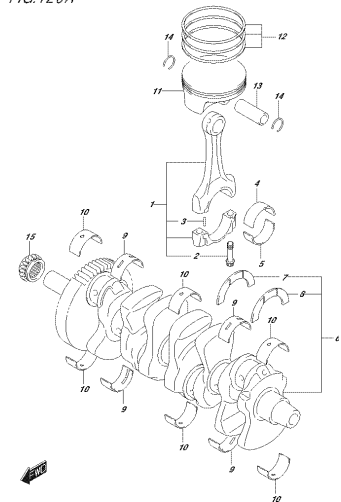
05K410204M1_EBE_112A
CDAHEFHERK12M7

FIG. 116A



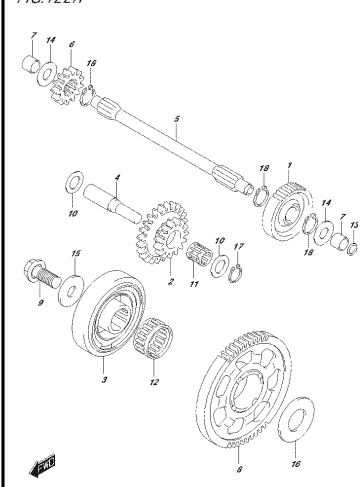
05K410204M1_EBE_116A
CDAHEFHERK12M7

FIG. 120A



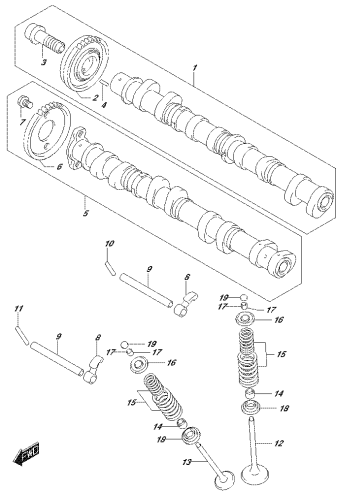
05K410204M1_EBE_120A
CDAHEFHERK12M7

FIG. 122A



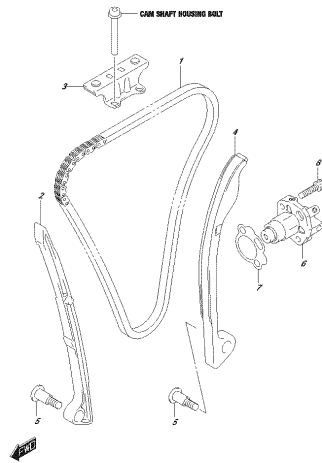
05K410204M1_EBE_122A
CDAHEFHERK12M7

FIG. 126A



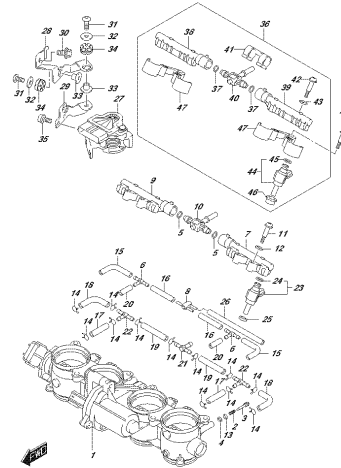
OSKFI10204M1_EBE_126A
GASCHAFTRICKE

FIG. 127A



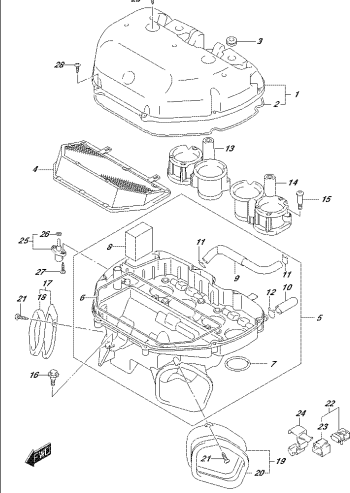
OSKFI10204M1_EBE_127A
GASCHAFTRICKE

FIG. 140B



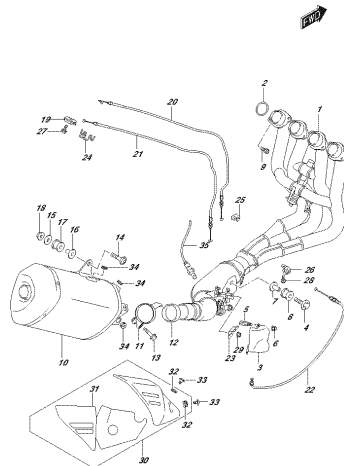
OSKFI10204M1_EBE_140B
INWITTELSCHOP

FIG. 155A



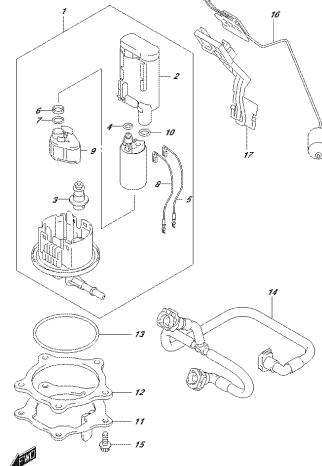
OSKFI10204M1_EBE_155A
ABGASWERT

FIG. 163A



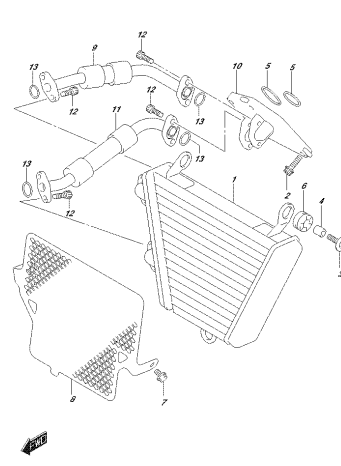
OSKFI10204M1_EBE_163A
SIEFELER

FIG. 172A



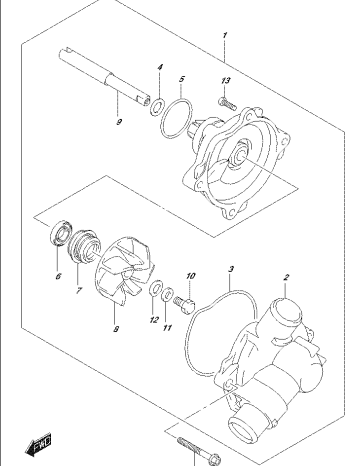
OSKFI10204M1_EBE_172A
FUELPUMPE

FIG. 178A



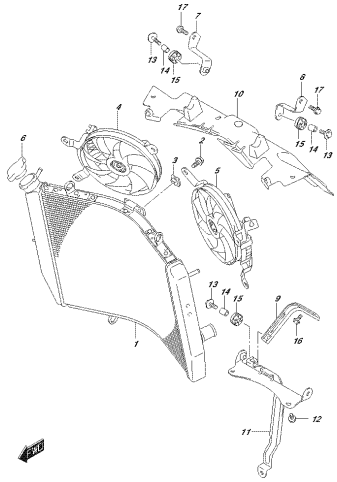
OSKFI10204M1_EBE_178A
DE COEBOI

FIG. 180A



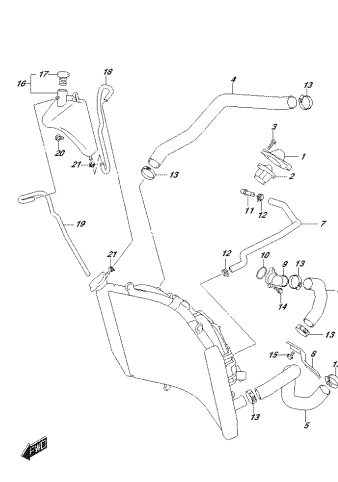
OSKFI10204M1_EBE_180A
WATERPUMPE

FIG. 185A



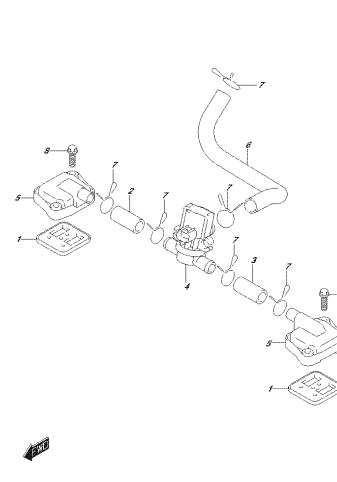
ISSY/10224M1_EBE_185A
PROMETEP

FIG. 187A



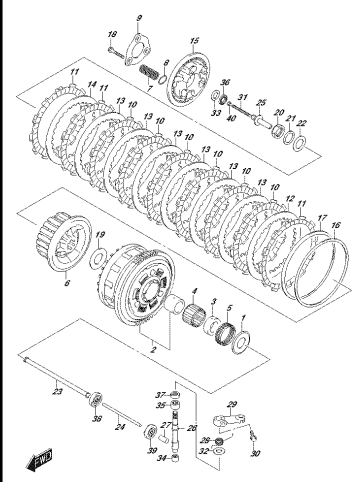
ISSY/10224M1_EBE_187A
PROMETEP

FIG. 189A



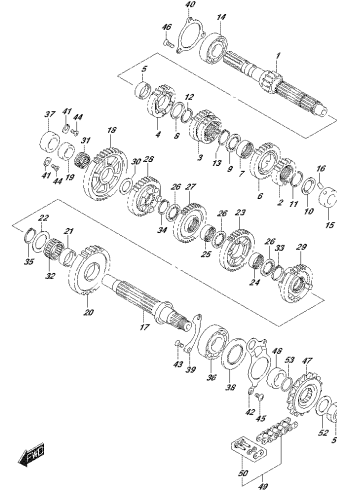
ISSY/10224M1_EBE_189A
PROMETEP

FIG. 201A



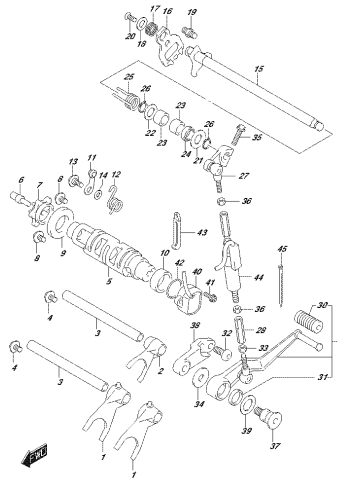
ISSY/10224M1_EBE_201A
CELVEZY

FIG. 206A



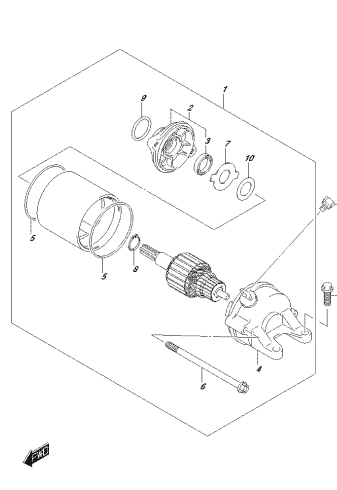
ISSY/10224M1_EBE_206A
PROMETEP

FIG. 212A



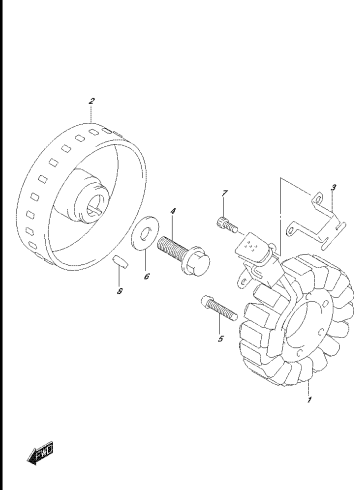
ISSY/10224M1_EBE_212A
DEAR-SHIFTING

FIG. 301A



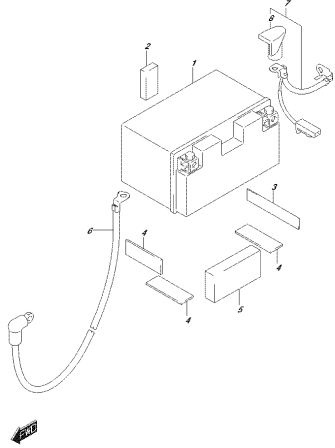
ISSY/10224M1_EBE_301A
STARTING VECTOR

FIG. 304A



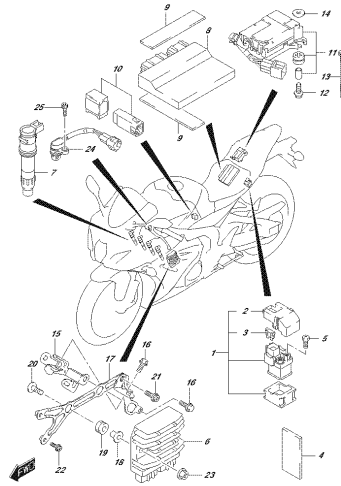
ISSY/10224M1_EBE_304A
DEBNAKOP

FIG.310A



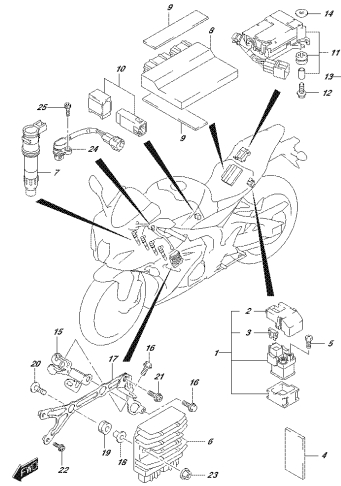
05K410204M1_E0E_310A
05K1020F

FIG.312A



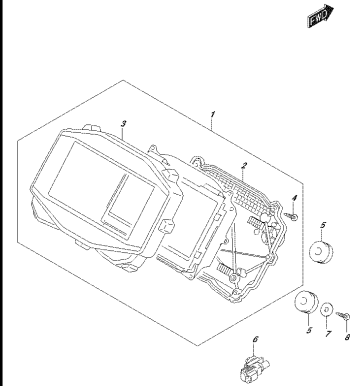
05K410204M1_E0E_312A
ELECTRONE

FIG.312F



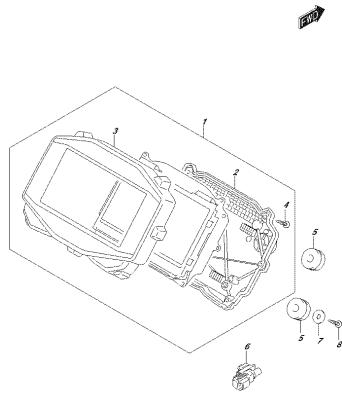
05K410204M1_E0E_312F
ELECTRONE

FIG.330A



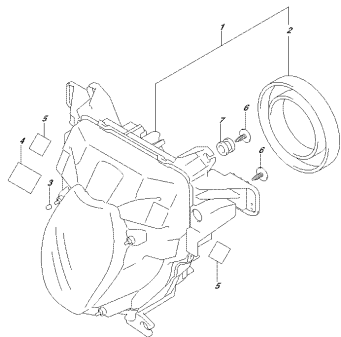
05K410204M1_E0E_330A
SPEEDOMETER

FIG.330F



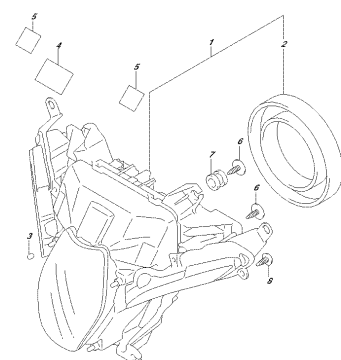
05K410204M1_E0E_330F
SPEEDOMETER

FIG.333A



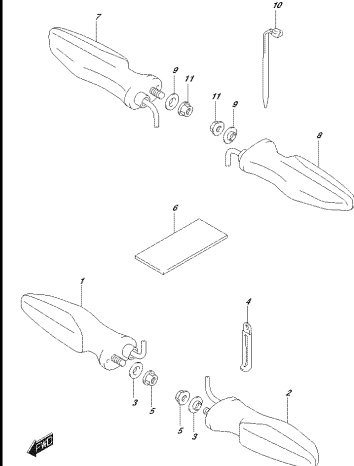
05K410204M1_E0E_333A
HEADLAMP

FIG.333B



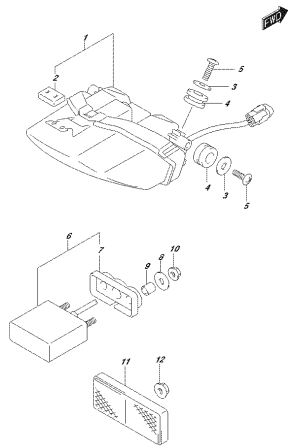
05K410204M1_E0E_333B
HEADLAMP

FIG.334B



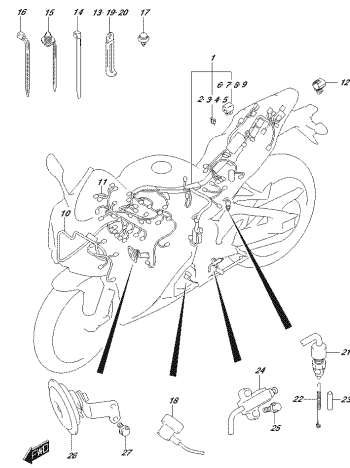
05K410204M1_E0E_334B
TURN SIGNAL LAMP

FIG.339A



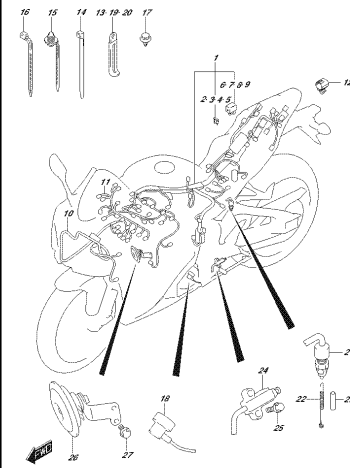
05KFI10224M1_EIR_339A
REARVIEW MIRROR LAMP

FIG.350A



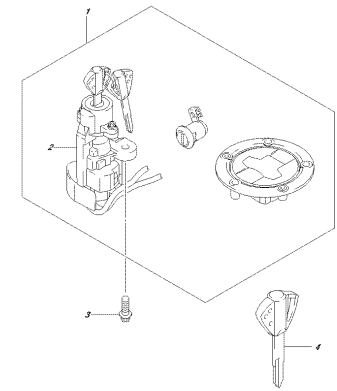
05KFI10224M1_EIR_350A
HEADLIGHT

FIG.350B



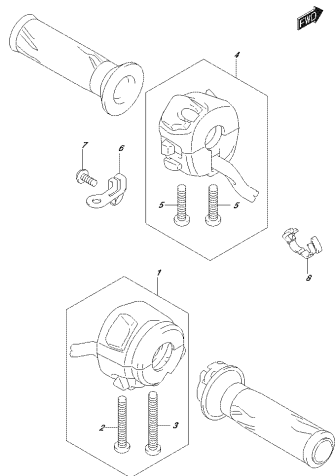
05KFI10224M1_EIR_350B
HEADLIGHT

FIG.352A



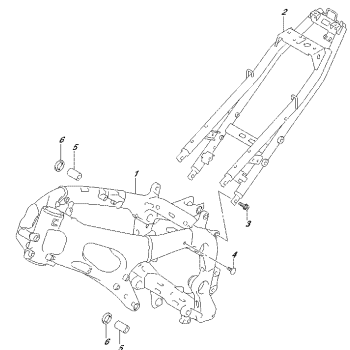
05KFI10224M1_EIR_352A
HEADLIGHT

FIG.355A



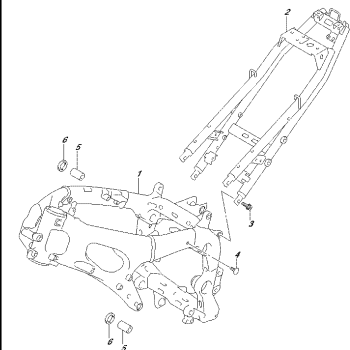
05KFI10224M1_EIR_355A
HANDLE SWITCH

FIG.401A



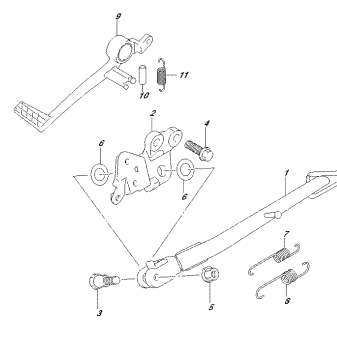
05KFI10224M1_EIR_401A
FRAME

FIG.401B



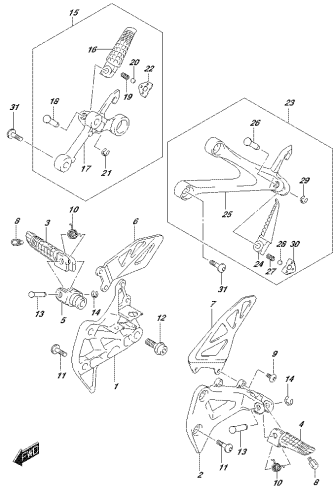
05KFI10224M1_EIR_401B
FRAME

FIG.407A



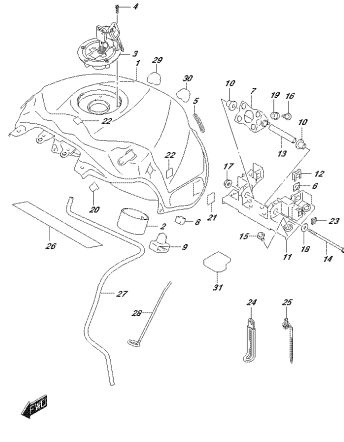
05KFI10224M1_EIR_407A
FRAME

FIG.415A



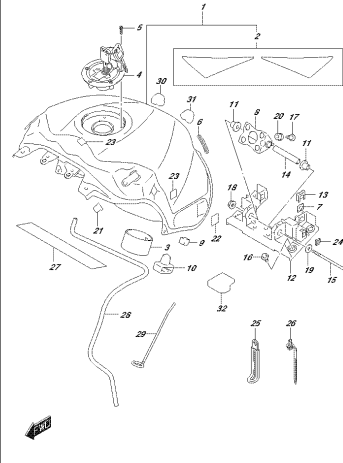
OSK910204M1_E0E_415A
FUEL DRAW

FIG.420B



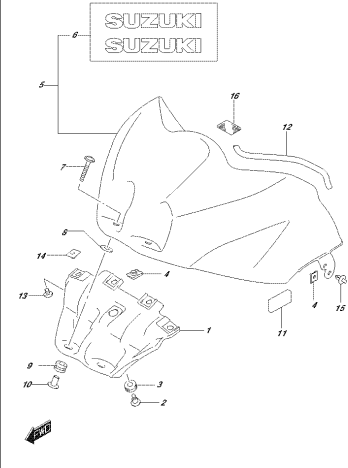
OSK910204M1_E0E_420B
FUEL DRAW

FIG.420D



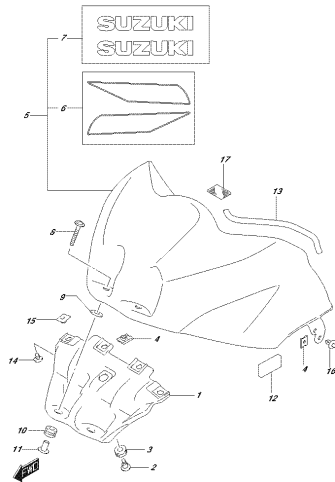
OSK910204M1_E0E_420D
FUEL DRAW

FIG.422A



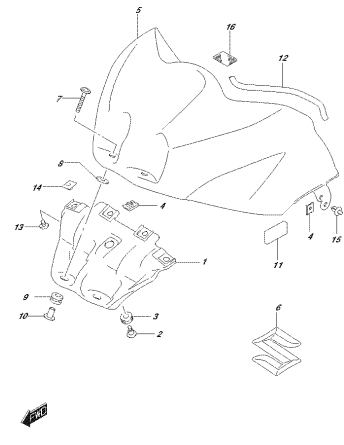
OSK910204M1_E0E_422A
FUEL DRAW FRONT COVER

FIG.422B



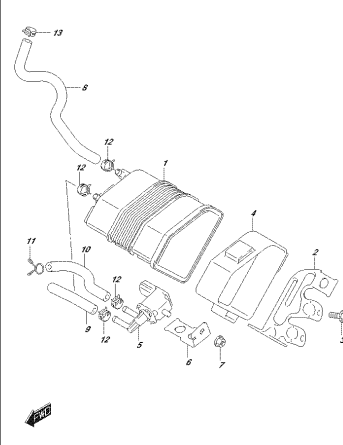
OSK910204M1_E0E_422B
FUEL DRAW FRONT COVER

FIG.422C



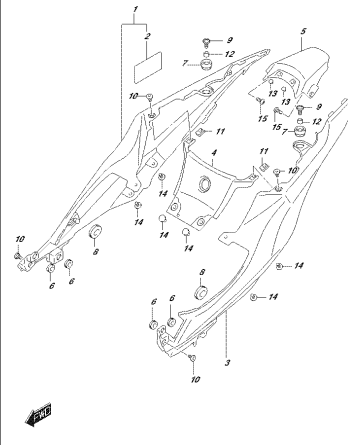
OSK910204M1_E0E_422C
FUEL DRAW FRONT COVER

FIG.427A



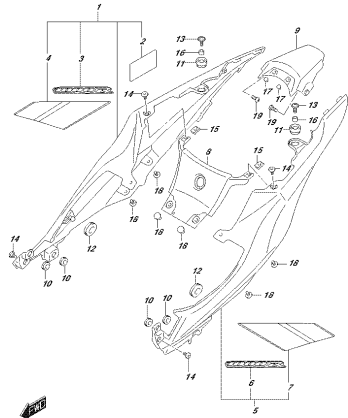
OSK910204M1_E0E_427A
ENRG SYSTEM

FIG.445A



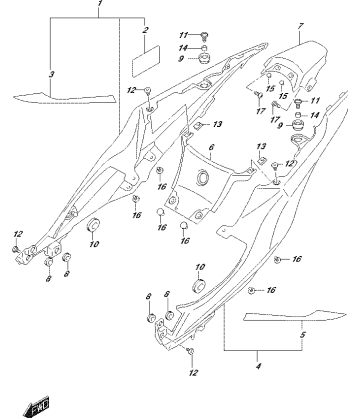
OSK910204M1_E0E_445A
FRAMERCOVER

FIG.445B



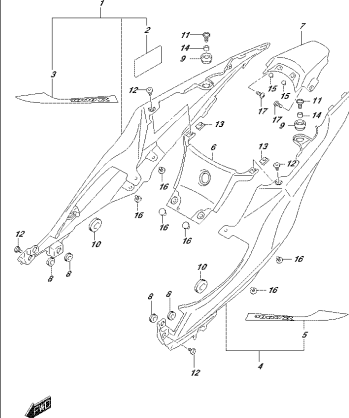
OSKFI10224M1_EBE_415B
1754482CON05F

FIG.445C



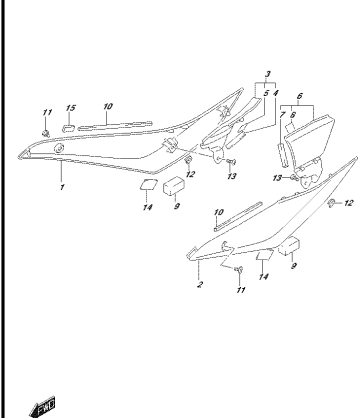
OSKFI10224M1_EBE_415C
1754482CON05F

FIG.445D



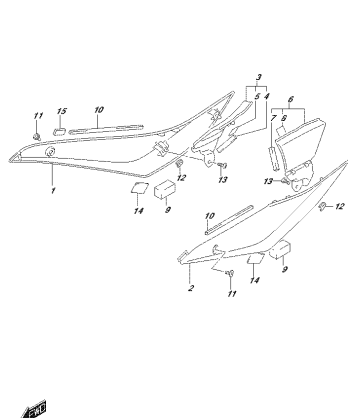
OSKFI10224M1_EBE_415D
1754482CON05F

FIG.448A



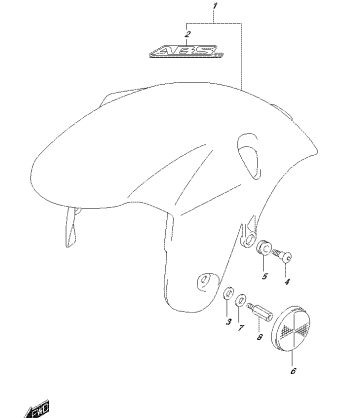
OSKFI10224M1_EBE_416A
SIZI-LCH051CON05F

FIG.448B



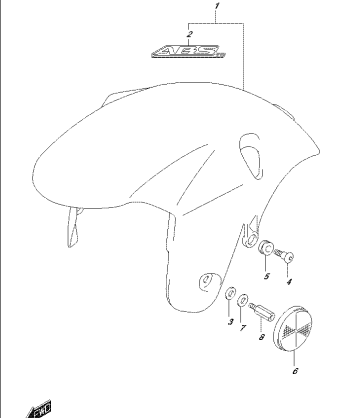
OSKFI10224M1_EBE_416B
SIZI-LCH051CON05F

FIG.460A



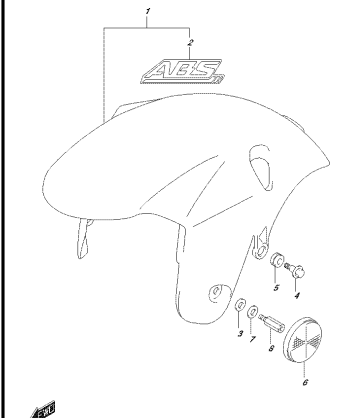
OSKFI10224M1_EBE_461A
FRONT FENDER

FIG.460D



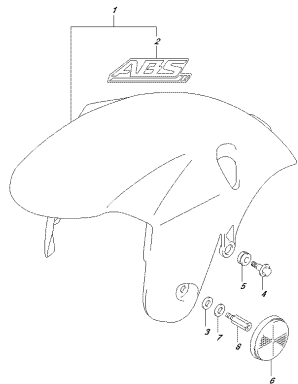
OSKFI10224M1_EBE_461D
FRONT FENDER

FIG.460G



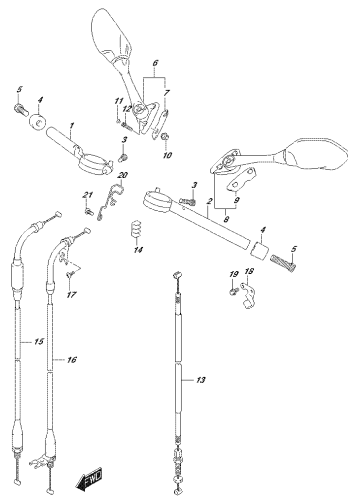
OSKFI10224M1_EBE_461G
FRONT FENDER

FIG.460H



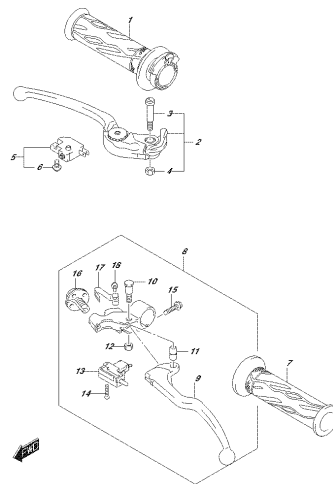
05K910204M1_E0E_460H
1/2017/2/2021

FIG.462A



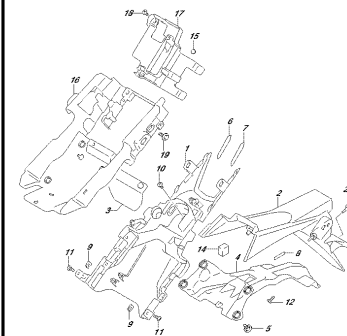
05K910204M1_E0E_462A
1/2017/2/2021

FIG.467A



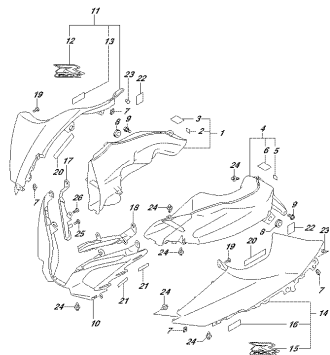
05K910204M1_E0E_467A
1/2017/2/2021

FIG.474A



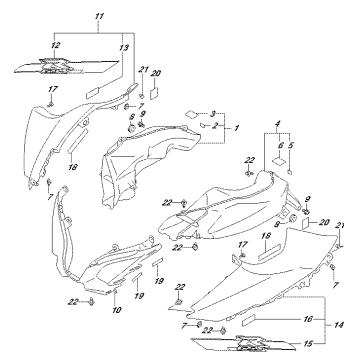
05K910204M1_E0E_474A
1/2017/2/2021

FIG.480A



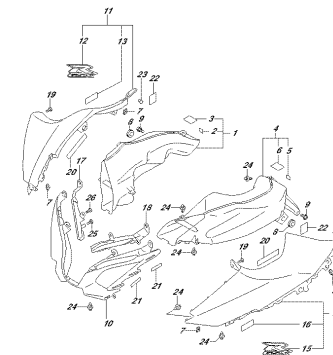
05K910204M1_E0E_480A
AR10404/PFE

FIG.480B



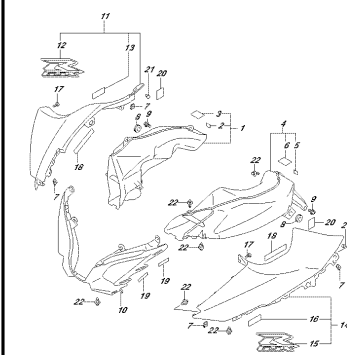
05K910204M1_E0E_480B
AR10404/PFE

FIG.480C



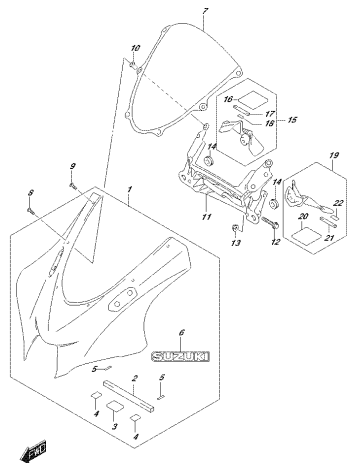
05K910204M1_E0E_480C
AR10404/PFE

FIG.480D



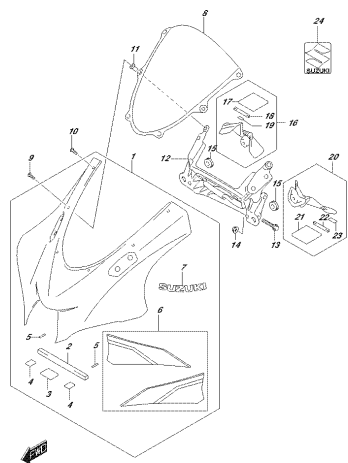
05K910204M1_E0E_480D
AR10404/PFE

FIG. 481A



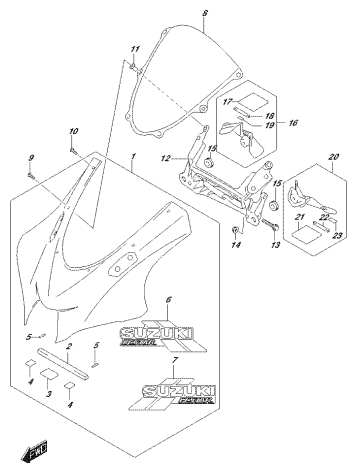
05KFI10224M1, EBE, 40/14
COMPLIATO (R27)

FIG. 481B



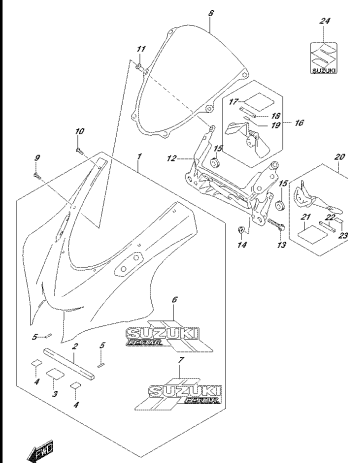
05KFI10224M1, EBE, 40/19
COMPLIATO (R27)

FIG. 481C



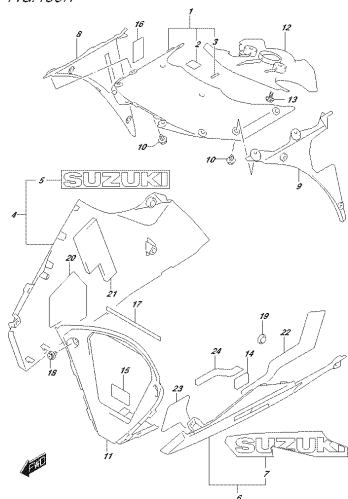
05KFI10224M1, EBE, 40/10
COMPLIATO (R27)

FIG. 481D



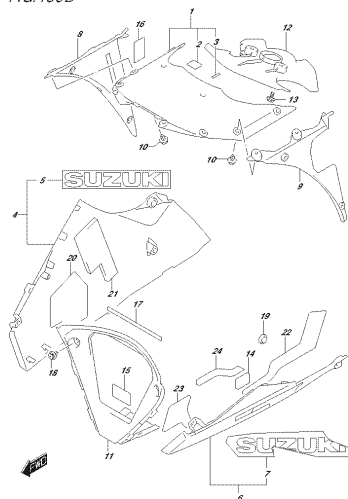
05KFI10224M1, EBE, 40/12
COMPLIATO (R27)

FIG. 483A



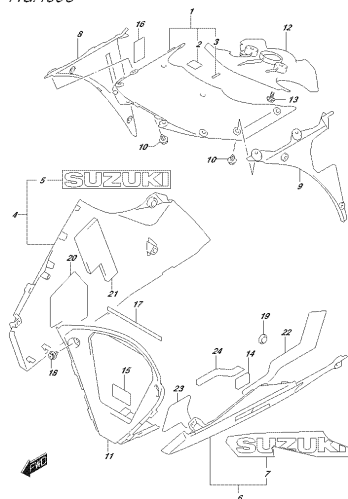
05KFI10224M1, EBE, 40/54
LACERI (COMPLIATO)

FIG. 483B



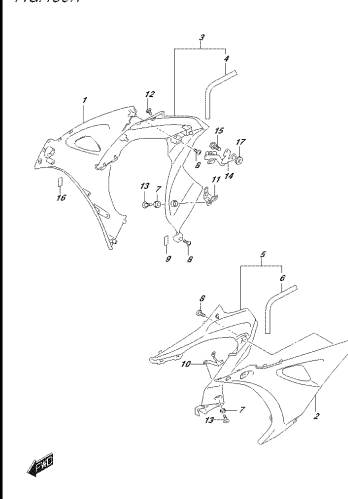
05KFI10224M1, EBE, 40/59
LACERI (COMPLIATO)

FIG. 483C



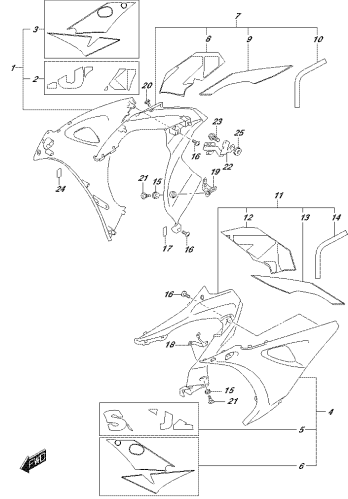
05KFI10224M1, EBE, 40/50C
LACERI (COMPLIATO)

FIG. 485A



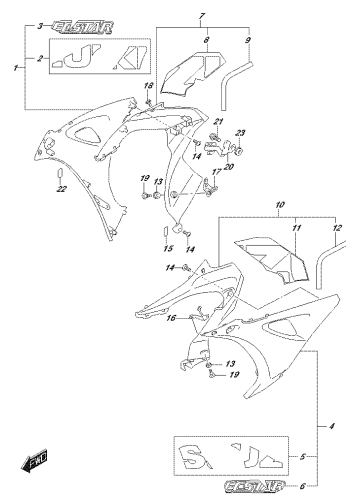
05KFI10224M1, EBE, 40/54
SIZI (COMPLIATO)

FIG. 485B



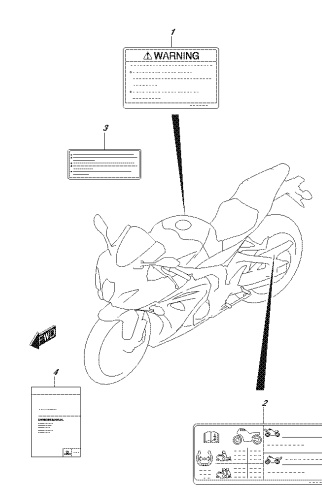
OSK/P/10204M1_EBE_485B
DDE C200310

FIG. 485C



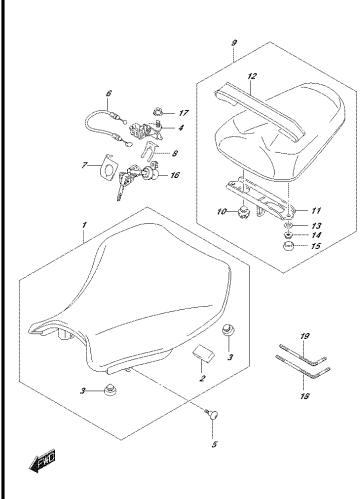
OSK/P/10204M1_EBE_485C
DDE C200310

FIG. 496G



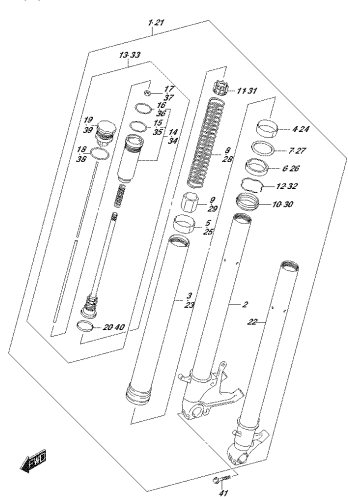
OSK/P/10204M1_EBE_496G
LARGE

FIG. 505A



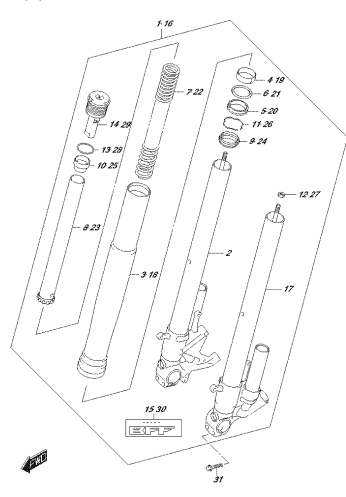
OSK/P/10204M1_EBE_505A
25x4

FIG. 521A



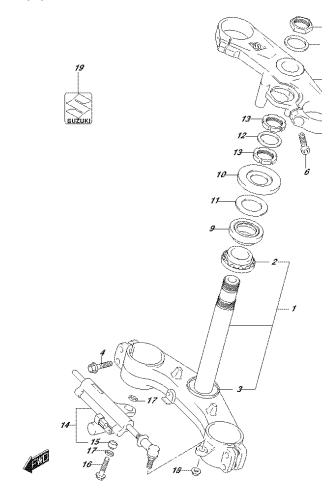
OSK/P/10204M1_EBE_521A
FRONT FORK (44/91)

FIG. 521B



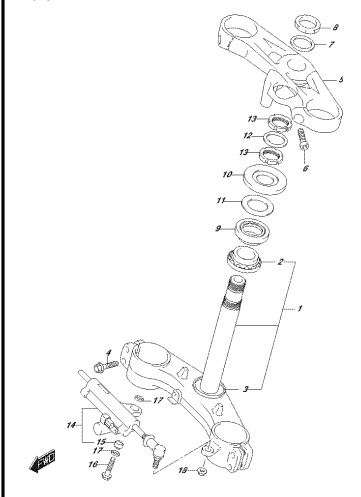
OSK/P/10204M1_EBE_521B
FRONT FORK (44/91)

FIG. 524A



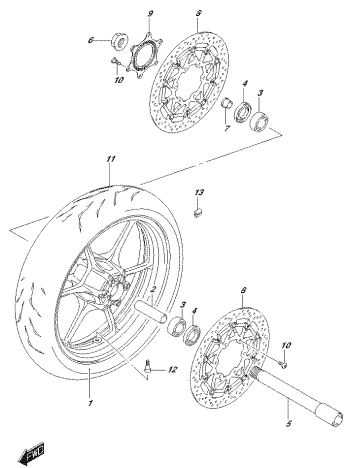
OSK/P/10204M1_EBE_524A
STEERING SYSTEM

FIG. 524B



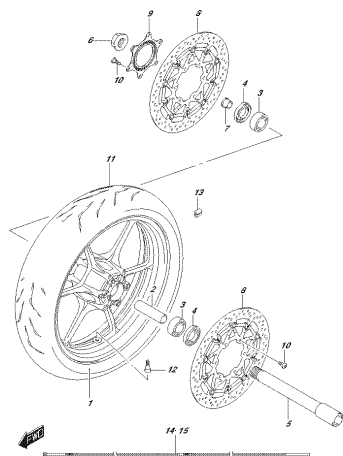
OSK/P/10204M1_EBE_524B
STEERING SYSTEM

FIG.530A



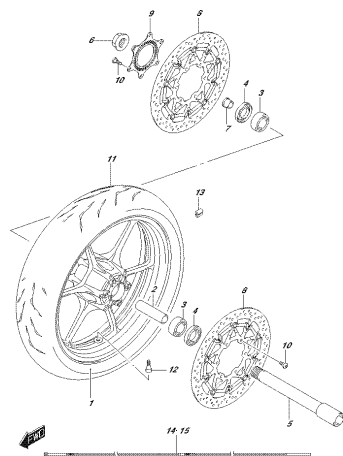
05K410204M1_EIR_530A
FRONT WHEEL

FIG.530B



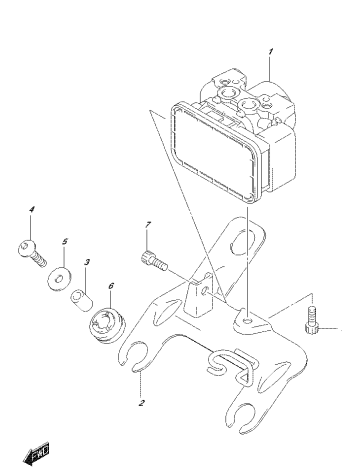
05K410204M1_EIR_530B
FRONT WHEEL

FIG.530C



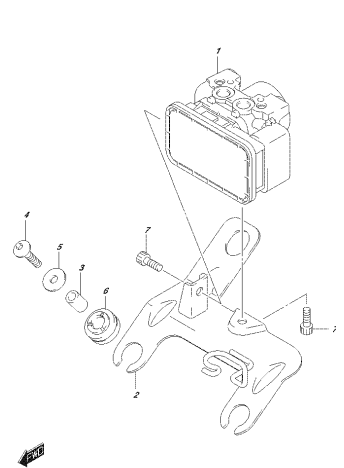
05K410204M1_EIR_530C
FRONT WHEEL

FIG.533A



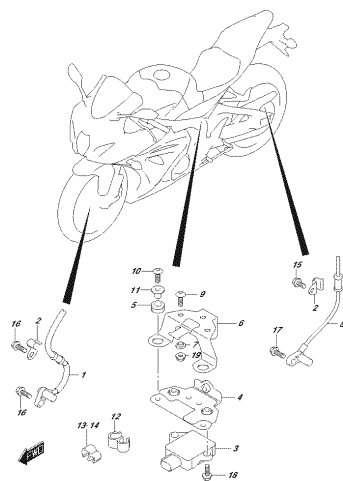
05K410204M1_EIR_533A
HYDRAULIC UNIT

FIG.533B



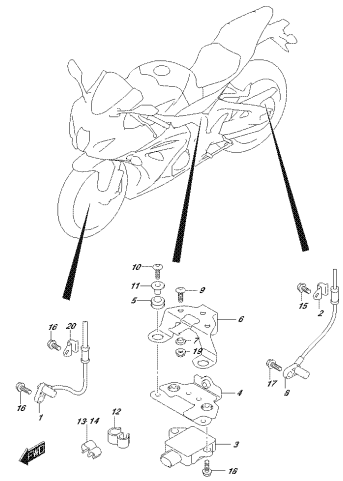
05K410204M1_EIR_533B
HYDRAULIC UNIT

FIG.534A



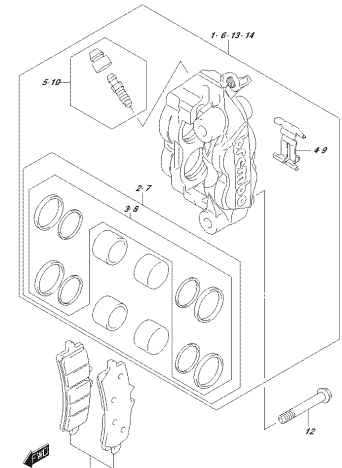
05K410204M1_EIR_534A
BODY-ELECTRIC

FIG.534B



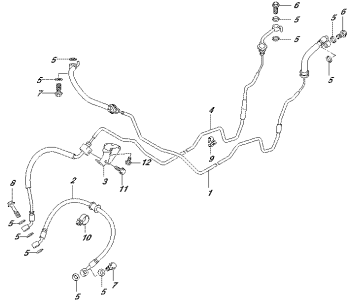
05K410204M1_EIR_534B
BODY-ELECTRIC

FIG.535A



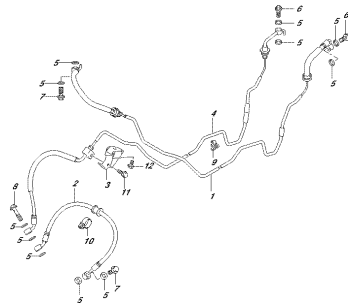
05K410204M1_EIR_535A
FRONT FAIRING

FIG.536A



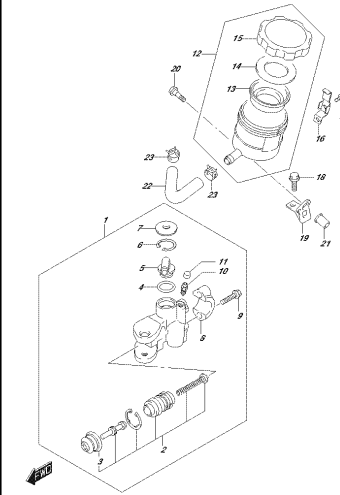
OSKVI10224M1_EBE_3016
FRONT SWAYBAR END

FIG.536B



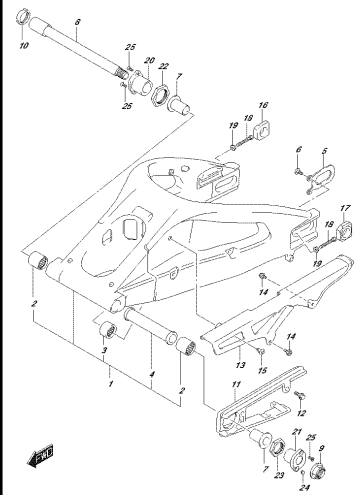
OSKVI10224M1_EBE_3018
FRONT SWAYBAR END

FIG.537A



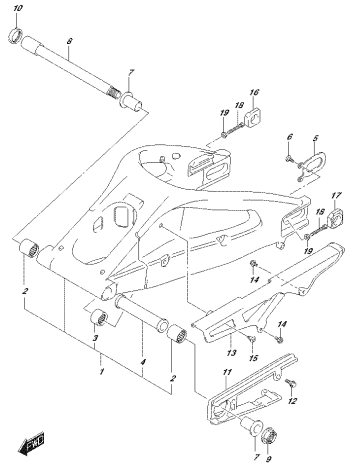
OSKVI10224M1_EBE_3019
FRONT SWAYBAR END

FIG.541A



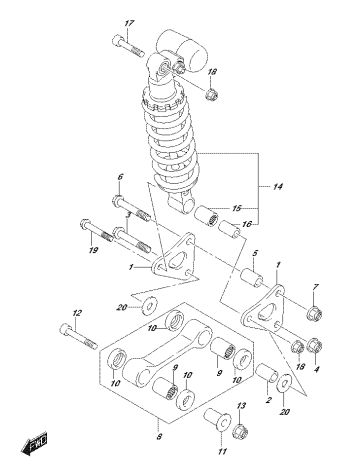
OSKVI10224M1_EBE_3114
REAR SWAYBAR END

FIG.541B



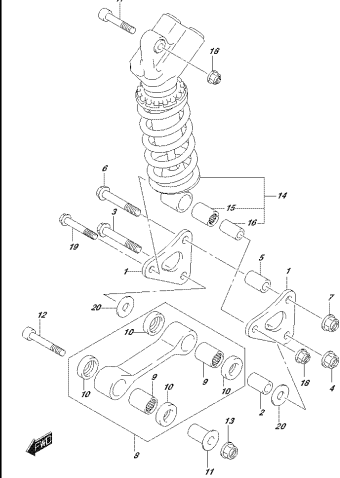
OSKVI10224M1_EBE_3119
REAR SWAYBAR END

FIG.543A



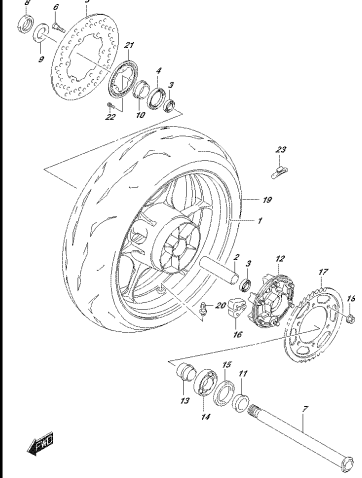
OSKVI10224M1_EBE_3114
REAR SWAYBAR END

FIG.543C



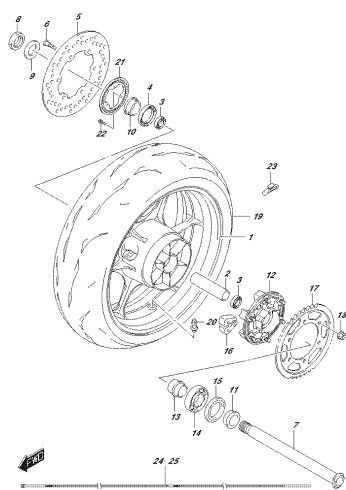
OSKVI10224M1_EBE_311C
REAR SWAYBAR END

FIG.550A



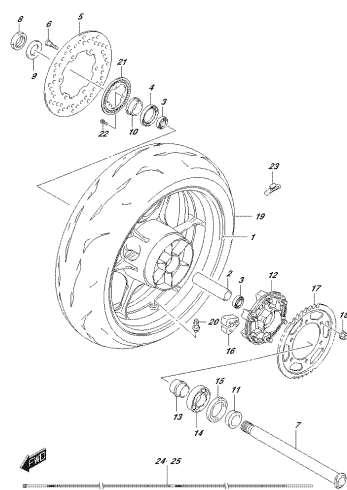
OSKVI10224M1_EBE_3514
REAR WHEEL

FIG.550B



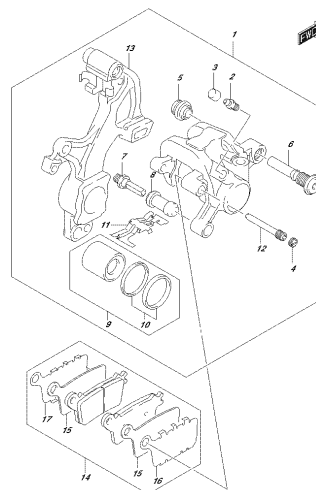
OSKVI10204M1_EIR_3519
P24R191E2E

FIG.550C



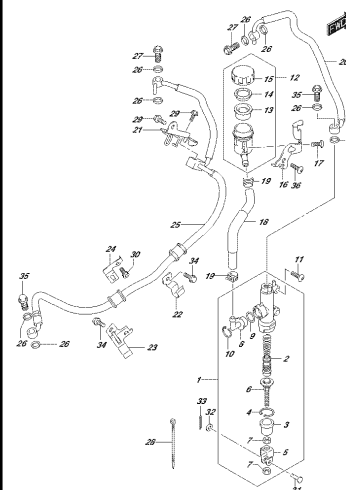
OSKVI10204M1_EIR_351C
P24R191E2E

FIG.555A



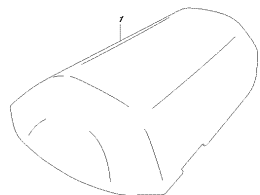
OSKVI10204M1_EIR_355A
P24R191E2E

FIG.558A



OSKVI10204M1_EIR_358A
P24R191E2E/CL100201

FIG.970A



OSKVI10204M1_EIR_970A
OPEK30A

FIG.101A

FIG.101A (1-B-2) GASKET SET

REF NO.	PART NO.	DESCRIPTION	Q'TY	REMARKS
1	11402-17810	GASKET SET	1	OPT
2	11141-17K00	.GASKET,CYLINDER HEAD	1	NOT ILLUSTRATED
3	11173-17K00	.GASKET,CYLINDER HEAD COVER	1	NOT ILLUSTRATED
4	11178-33E00	.GASKET,CYL HEAD COVER NO.2	4	NOT ILLUSTRATED
5	11182-35F10	.GASKET,2ND AIR PASSAGE	4	NOT ILLUSTRATED
6	11191-27E00	.WASHER,CYL HEAD COVER (L:5.5)	6	NOT ILLUSTRATED
7	11482-17K00	.GASKET,CLUTCH COVER	1	NOT ILLUSTRATED
8	11483-17K00	.GASKET,MAGNETO COVER	1	NOT ILLUSTRATED
9	11489-17K00	.GASKET,OIL PAN	1	NOT ILLUSTRATED
10	12837-02H00	.GASKET,TENSIONER ADJUSTER	1	NOT ILLUSTRATED
11	14181-04K00	.GASKET,EXHAUST PIPE	4	NOT ILLUSTRATED

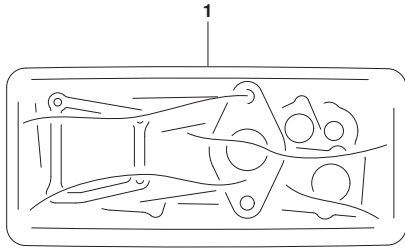


FIG.102A

FIG.102A (1-B-3) CYLINDER HEAD COVER

REF NO.	PART NO.	DESCRIPTION	Q'TY	REMARKS
1	11171-17K00	COVER,CYLINDER HEAD	1	
2	11173-17K00	GASKET,CYLINDER HEAD COVER	1	
3	11178-33E00	GASKET,CYL HEAD COVER NO.2	4	
4	11182-35F10	GASKET,2ND AIR PASSAGE	4	
5	11191-27E00	WASHER,CYL HEAD COVER (L:5.5)	6	
6	09106-07021	BOLT (7X17.5)	6	
7	09206-10016	PIN (8.2X10X13)	4	

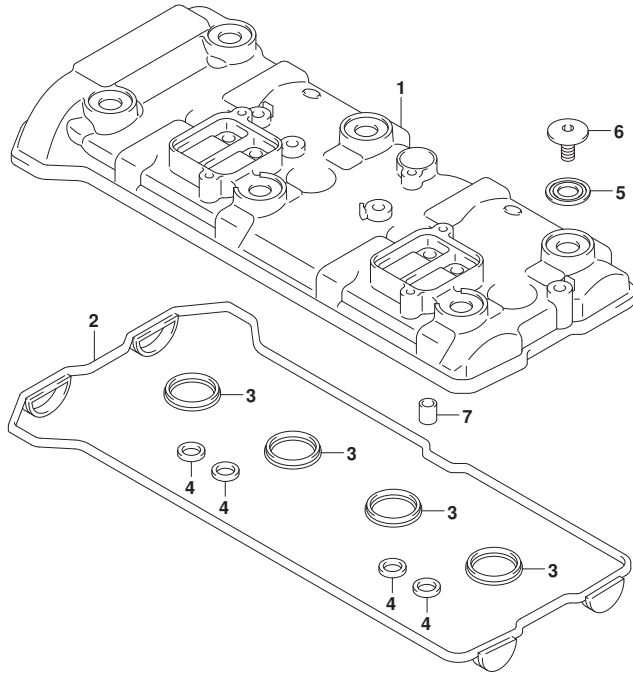


FIG.103A

FIG.103A (1-B-4) CYLINDER HEAD

REF NO.	PART NO.	DESCRIPTION	Q'TY	REMARKS
1	11100-17K00	HEAD ASSY,CYLINDER	1	
2	09103-06266	.BOLT (6X40)	20	
3	09206-08007	.PIN (6.2X8X16)	8	
4	11115-29G70	GUIDE, VALVE (OS:0.3)	16	OPT
5	11141-17K00	GASKET,CYLINDER HEAD	1	
6	09248-10006	PLUG (10X5)	4	
7	09280-04004	O-RING (D:1.2,ID:4)	1	
8	09493-80005	JET (#80)	1	
9	04211-11169	PIN	2	
10	11117-29G00	BOLT,CYLINDER HEAD (10X95)	8	
11	11117-29G20	BOLT,CYLINDER HEAD (10X95)	2	
12	01547-0665A	BOLT	2	
13	09168-16009	GASKET (16X22X0.8)	1	
14	09248-16012	PLUG (16X8)	1	
15	09168-06023	GASKET (5.8X13X1.2)	1	
16	01550-0612A	BOLT	1	
17-1	#09482-00558	PLUG, SPARK (CR9EIA-9)	4	
17-2	#09482-00556	PLUG, SPARK (CR8EIA-9)	4	
17-3	#09482-00560	PLUG, SPARK (CR10EIA-9)	4	
17-4	#09482-00557	PLUG, SPARK (IU27D)	4	
17-5	#09482-00555	PLUG, SPARK (IU24D)	4	
17-6	#09482-00559	PLUG, SPARK (IU31D)	4	
18	13101-17K00	PIPE ASSY,INTAKE	2	
19	09280-45004	.O-RING (D:2.0,ID:44.7)	4	
20	13170-17K00	CLAMP,INTAKE PIPE	2	
21	02122-0616A	SCREW	6	
22	13650-49X00	SENSOR,TEMP	1	
23	09168-12017	GASKET (12X17X1)	1	
24	09106-10069	BOLT (10X45)	2	

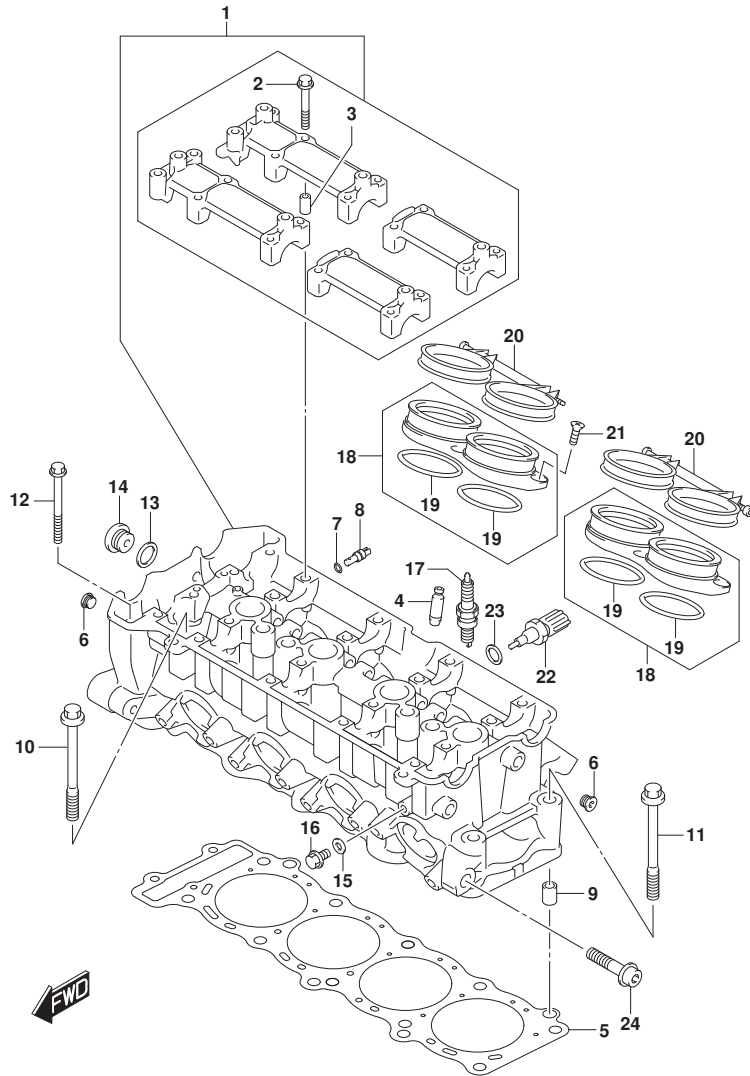


FIG.108A

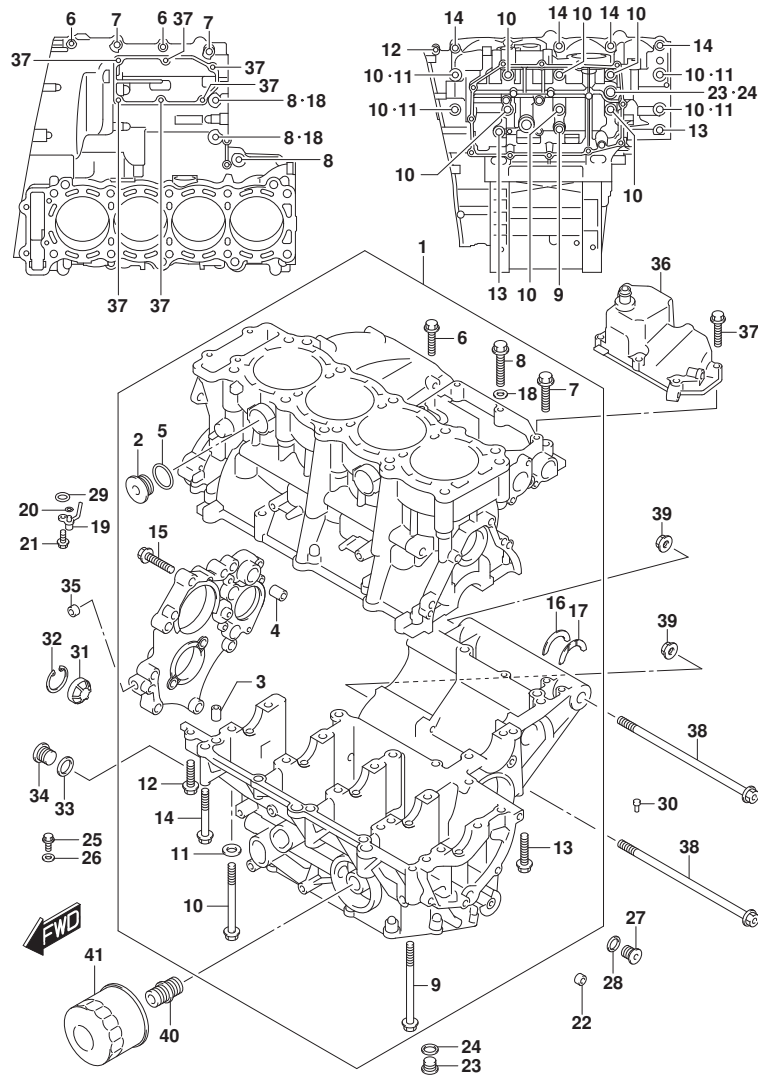


FIG.108A (1-B-5) CRANKCASE

REF NO.	PART NO.	DESCRIPTION	Q'TY	REMARKS
1	11301-17810	CRANKCASE SET	1	
2	11318-35F00	.PLUG,WATER JACKET	3	
3	11319-33E50	.PIN,CRANKCASE	3	
4	11319-33E50	.PIN,CRANKCASE	2	
5	09280-20002	.O-RING (D:3.1,ID:19.4)	3	
6	01547-0635A	.BOLT	3	
7	01550-0840A	.BOLT	2	
8	01550-0850A	.BOLT	4	
9	09103-08134	.BOLT (8X110)	1	
10	09103-09012	.BOLT (9X95)	10	
11	09168-10031	.GASKET (10.2X20X2.3)	4	
12	01547-0635A	.BOLT	1	
13	01550-0840A	.BOLT	2	
14	01550-0865A	.BOLT	4	
15	07120-0835A	.BOLT	8	
16	12228-48B00-0E0	.BEARING,CRANK THRUST	1	
17-1	12228-48B00-0B0	.BEARING,CRANK THRUST	1	
17-2	12228-48B00-0C0	.BEARING,CRANK THRUST	1	
17-3	12228-48B00-0D0	.BEARING,CRANK THRUST	1	
17-4	12228-48B00-0E0	.BEARING,CRANK THRUST	1	
17-5	12228-48B00-0F0	.BEARING,CRANK THRUST	1	
17-6	12228-48B00-0G0	.BEARING,CRANK THRUST	1	
17-7	12228-48B00-0H0	.BEARING,CRANK THRUST	1	
18	09168-08016	.GASKET (8.2X14X1)	2	
19	11390-17K00	JET,PISTON COOLING	4	
20	09280-04004	O-RING (D:1.2,ID:4)	4	
21	09106-06075	BOLT (6X12)	4	
22	09246-05006	PLUG (1/8PT,H:5.5)	1	
23	09248-12004	PLUG (L:12)	1	
24	09168-12002	GASKET (12.1X16.2X3.7)	1	
25	01547-0612A	BOLT	1	
26	09168-06018	GASKET (6.2X13X1.2)	1	
27	09248-10010	PLUG (10X10)	2	
28	09168-10002	GASKET (10X14X3.6)	2	
29	09280-08012	O-RING (D:1.9,ID:7.8)	1	

FIG.108A

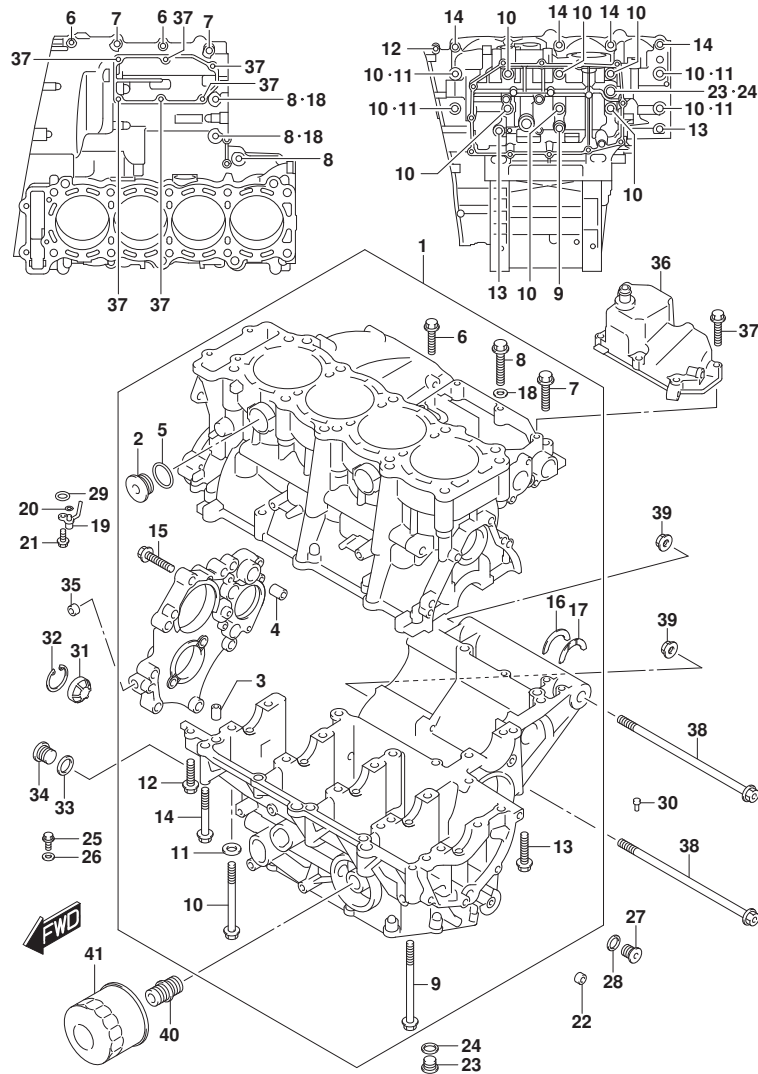


FIG.108A (1-B-6) CRANKCASE

REF NO.	PART NO.	DESCRIPTION	Q'TY	REMARKS
30	09493-28012	JET (#140)	1	
31	11971-33210	LENS,OIL LEVEL CHECK	1	
32	08331-4130A	CIRCLIP	1	
33	09168-16002	GASKET (16X22X2)	2	
34	09248-16013	PLUG (16X12)	2	
35	09246-05006	PLUG (1/8PT,H:5.5)	1	
36	11380-17K00	COVER,BREATHER	1	
37	01547-0630A	BOLT	6	
38	09103-12078	BOLT (12X275)	2	
39	09159-12081	NUT,ENG MTG	2	
40	16591-06B01	UNION,OIL STAND	1	
41	16510-07J00	FILTER ASSY,ENGINE OIL (P1.0)	1	

FIG.112A

FIG.112A (1-B-7) CRANKCASE COVER

REF NO.	PART NO.	DESCRIPTION	Q'TY	REMARKS
1	11341-17K00	COVER,CLUTCH	1	
2	11482-17K00	GASKET,CLUTCH COVER	1	
3	09103-06529	BOLT,CLUTCH COVER (6X30)	13	
4	09103-06531	BOLT,MAGNETO COVER (6X40)	1	
5	09168-06023	GASKET (5.8X13X1.2)	1	
6	04211-09189	PIN	2	
7	11971-25D00	PLUG,ENGINE OIL FILLER	1	
8	09280-17003	O-RING (D:3.1,ID:16.8)	1	
9	09259-36021	PLUG (36X10)	1	
10	09280-33004	O-RING (D:3.1,ID:32.7)	1	
11	11342-41G10	CAP,CLUTCH RELEASE ADJUST	1	
12	31156-17E00	O-RING (D:2.4,ID:52.6)	1	
13	11351-17K01	COVER,MAGNETO	1	
14	11483-17K00	GASKET,MAGNETO COVER	1	
15	09103-06529	BOLT,CLUTCH COVER (6X30)	7	
16	09103-06532	BOLT,MAGNETO COVER (L:45)	1	
17	04211-09149	PIN (8.5X18X2.3)	2	
18	11360-17K00	COVER,ENG SPROCKET	1	
19	01550-0625B	BOLT	2	
20	11371-17K00	HOLDER,CLUTCH RELEASE	1	
21	09103-06532	BOLT,MAGNETO COVER (L:45)	1	
22	09103-06547	BOLT,CL RELEASE HOLDER (L:90)	2	
23	04211-09149	PIN (8.5X18X2.3)	2	

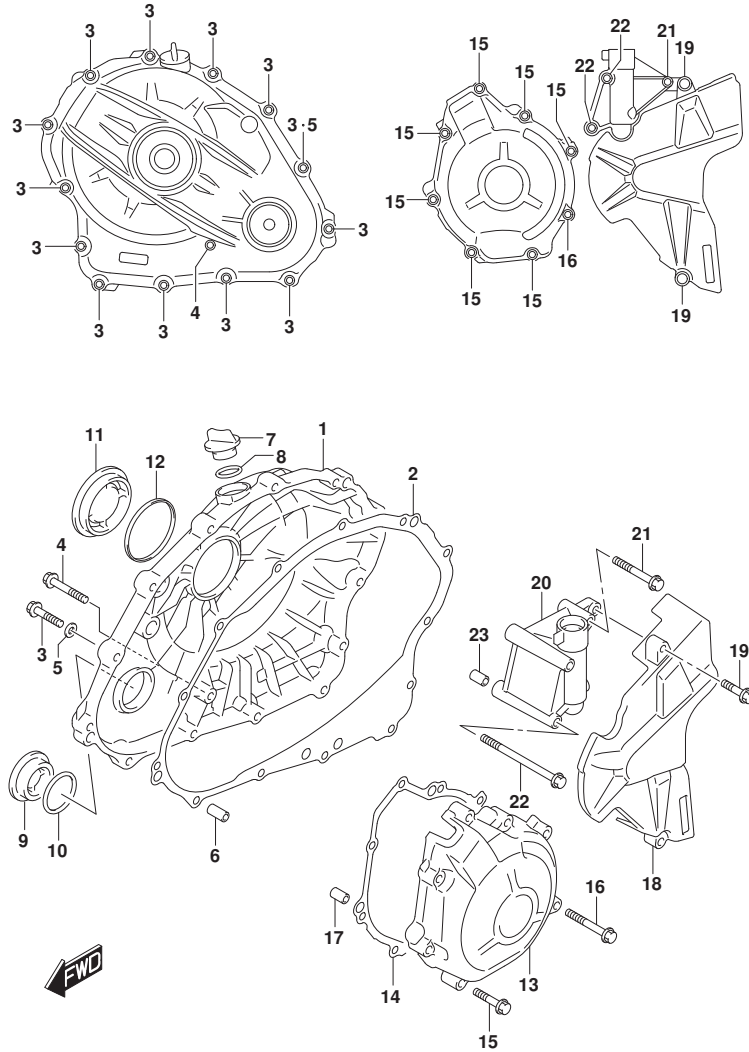


FIG.116A

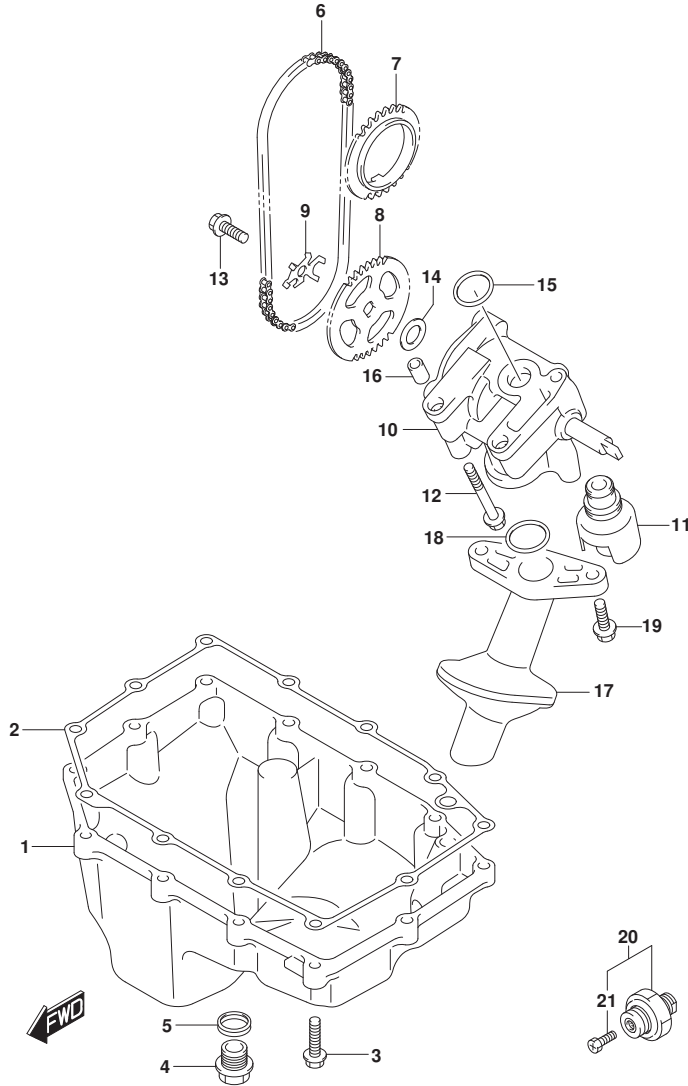


FIG.116A (1-B-8) OIL PAN/OIL PUMP

REF NO.	PART NO.	DESCRIPTION	Q'TY	REMARKS
1	11511-17K00	PAN,OIL	1	
2	11489-17K00	GASKET,OIL PAN	1	
3	01547-0625A	BOLT	12	
4	11512-17K00	PLUG,OIL DRAIN (14X20)	1	OIL DRAIN
5	09168-14002	GASKET (13.8X18.8X4.8)	1	
6	16310-47H00	CHAIN ASSY,OIL PUMP DRIVE	1	
7	16321-01H00	SPROCKET,OIL PUMP DRIVE (NT:27)	1	
8	16331-17K00	SPROCKET,OIL PUMP DRIVEN (NT:30)	1	
9	16332-17K00	RETAINER,OIL PUMP SPRKT BOLT	1	
10	16400-17K00	PUMP ASSY,ENG OIL	1	
11	16440-17K00	VALVE ASSY,OIL RELIEF	1	
12	09103-06206	BOLT (6X50)	3	
13	09103-06523	BOLT,OIL PUMP SPROCKET	1	
14	09181-12158	SHIM (12X20X0.5)	1	
15	09280-15007	O-RING (D:2.4,ID:15.8)	1	
16	04211-09149	PIN (8.5X18X2.3)	2	
17	16520-17K00	STRAINER,ENG OIL	1	
18	09280-19008	O-RING (D:2.62,ID:20.3)	1	
19	01550-0620A	BOLT	2	
20	37820-33D10	SWITCH ASSY,OIL PRESSURE	1	
21	37822-33D00	.BOLT,OIL PRESSURE SWITCH	1	

FIG.120A

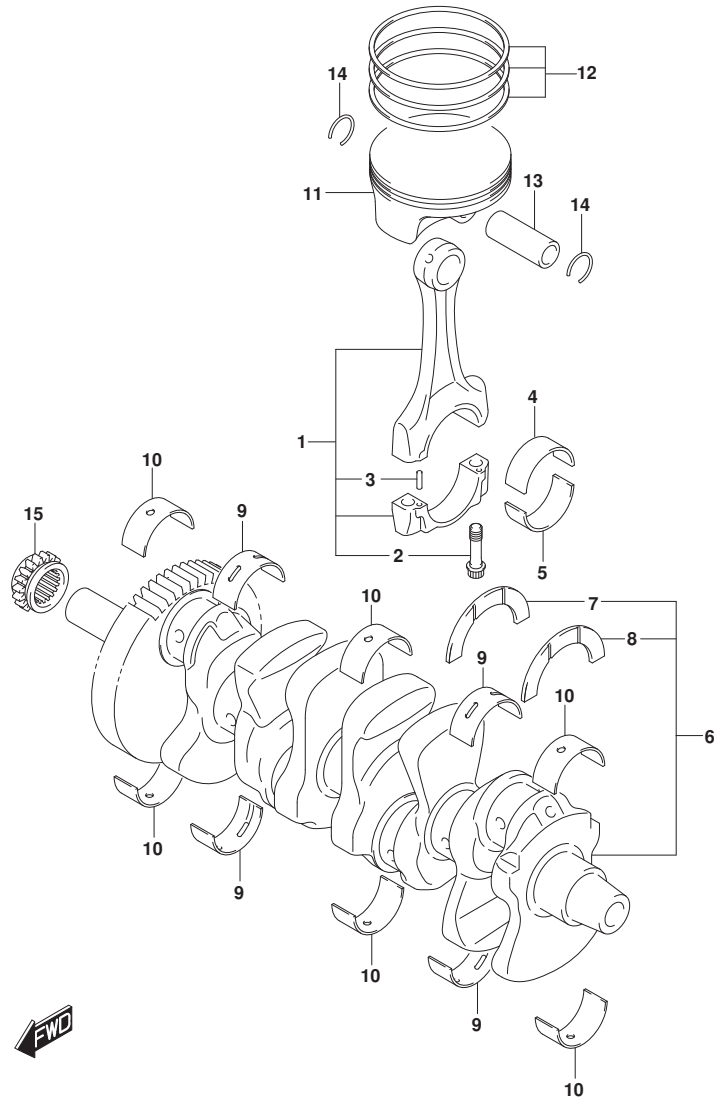


FIG.120A (1-B-9) CRANKSHAFT

REF NO.	PART NO.	DESCRIPTION	Q'TY	REMARKS
1	12160-17K00	CONNROD ASSY	4	
2	12163-17K00	.BOLT,CONNROD	8	
3	04221-03059	.PIN	8	
4-1	12164-17K00-0A0	BEARING,CRANK PIN UPPER	4	GREEN
4-2	12164-17K00-0B0	BEARING,CRANK PIN UPPER	4	BLACK
4-3	12164-17K00-0C0	BEARING,CRANK PIN UPPER	4	BROWN
4-4	12164-17K00-0D0	BEARING,CRANK PIN UPPER	4	YELLOW
5-1	12164-17K10-0A0	BEARING,CRANK PIN LOWER	4	
5-2	12164-17K10-0B0	BEARING,CRANK PIN LOWER	4	
5-3	12164-17K10-0C0	BEARING,CRANK PIN LOWER	4	
5-4	12164-17K10-0D0	BEARING,CRANK PIN LOWER	4	
6	12000-17880	CRANKSHAFT SET	1	
7	12228-48B00-0E0	BEARING,CRANK THRUST	1	
8-1	12228-48B00-0B0	BEARING,CRANK THRUST	1	
8-2	12228-48B00-0C0	BEARING,CRANK THRUST	1	
8-3	12228-48B00-0D0	BEARING,CRANK THRUST	1	
8-4	12228-48B00-0E0	BEARING,CRANK THRUST	1	
8-5	12228-48B00-0F0	BEARING,CRANK THRUST	1	
8-6	12228-48B00-0G0	BEARING,CRANK THRUST	1	
8-7	12228-48B00-0H0	BEARING,CRANK THRUST	1	
9-1	12229-17K00-0A0	BEARING,CRANKSHAFT	4	
9-2	12229-17K00-0B0	BEARING,CRANKSHAFT	4	
9-3	12229-17K00-0C0	BEARING,CRANKSHAFT	4	
9-4	12229-17K00-0D0	BEARING,CRANKSHAFT	4	
9-5	12229-17K00-0E0	BEARING,CRANKSHAFT	4	
10-1	12229-17K10-0A0	BEARING,CRANKSHAFT	6	
10-2	12229-17K10-0B0	BEARING,CRANKSHAFT	6	
10-3	12229-17K10-0C0	BEARING,CRANKSHAFT	6	
10-4	12229-17K10-0D0	BEARING,CRANKSHAFT	6	
10-5	12229-17K10-0E0	BEARING,CRANKSHAFT	6	
11	12111-17K00-0F0	PISTON	4	
12	12140-17K00	RING SET,PISTON	4	
13	12151-17K00	PIN,PISTON	4	
14	12152-17K01	CIRCLIP,PISTON PIN	8	
15	12731-47H00	SPROCKET,CAM CHAIN DRIVE (NT:1	1	

FIG.120A

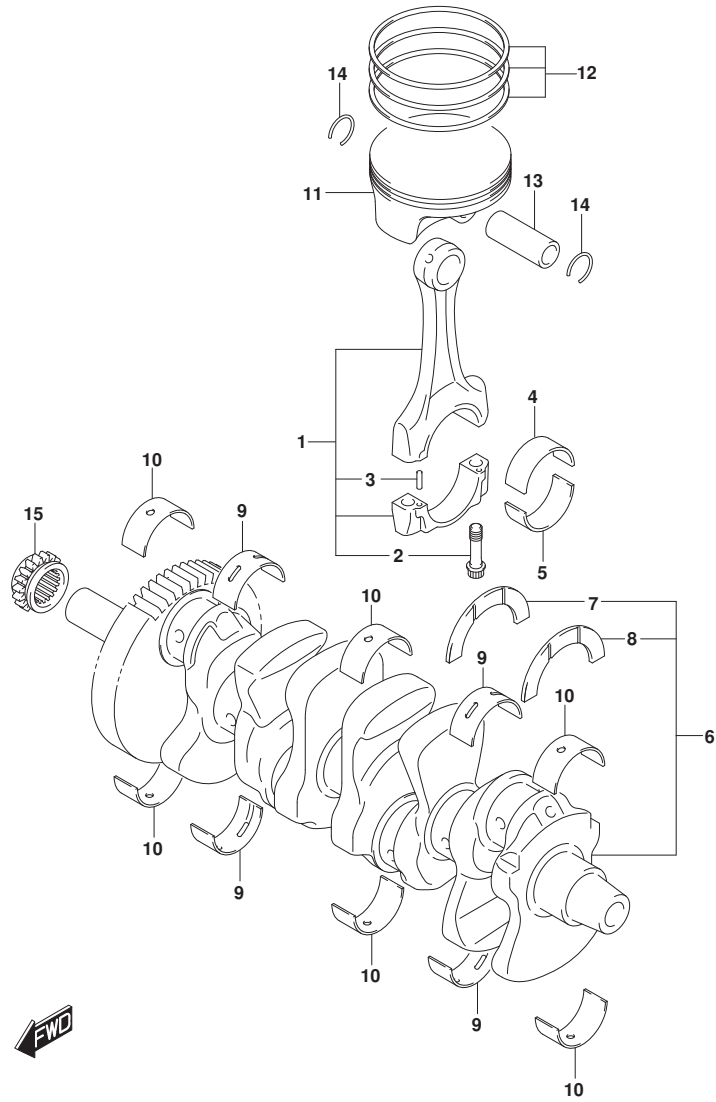


FIG.120A (1-B-10) CRANKSHAFT

REF NO.	PART NO.	DESCRIPTION	Q'TY	REMARKS
			7)	

FIG.122A

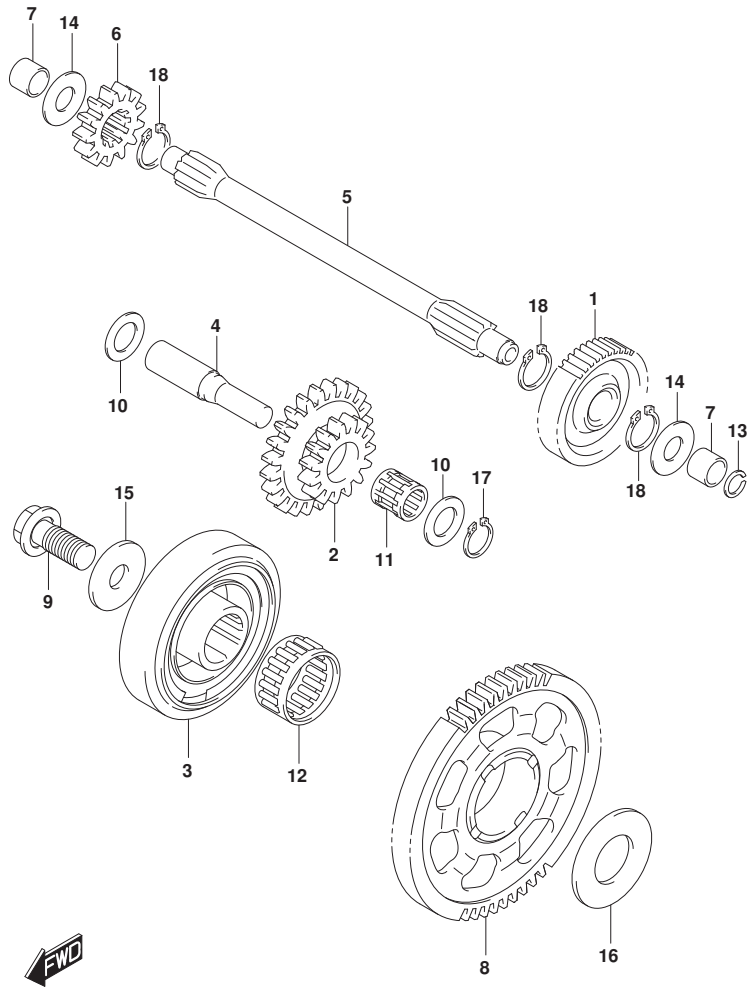


FIG.122A (1-B-11) STARTER CLUTCH

REF NO.	PART NO.	DESCRIPTION	Q'TY	REMARKS
1	12611-17K00	GEAR,STARTER IDLE NO.1 (NT:45)	1	
2	12612-47H00	GEAR,STARTER IDLE NO.2 (NT:15/24)	1	
3	12614-17K00	CLUTCH,STARTER ONE WAY	1	
4	12615-17K00	PIN,STARTER IDLE GEAR NO.2	1	
5	12616-17K00	SHAFT,STARTER IDLE GEAR NO.1	1	
6	12617-47H00	GEAR,LIMITER DRIVEN (NT:13)	1	
7	12618-31G00	BUSH,LIMITER GEAR SHAFT	2	
8	12622-17K00	GEAR,STARTER CLUTCH (NT:49)	1	
9	09103-10189	BOLT (10X23)	1	
10	09181-12167	SHIM (12X20X1)	2	
11	09263-12023	BEARING (12X16X16)	1	
12	09263-26035	BEARING (26X31X16)	1	
13	09380-09003	CIRCLIP	1	
14	08211-10221	WASHER	2	
15	08211-10285	WASHER	1	
16	08211-20403	WASHER	1	
17	08331-3112A	CIRCLIP	1	
18	08331-3115A	CIRCLIP	3	

FIG.126A

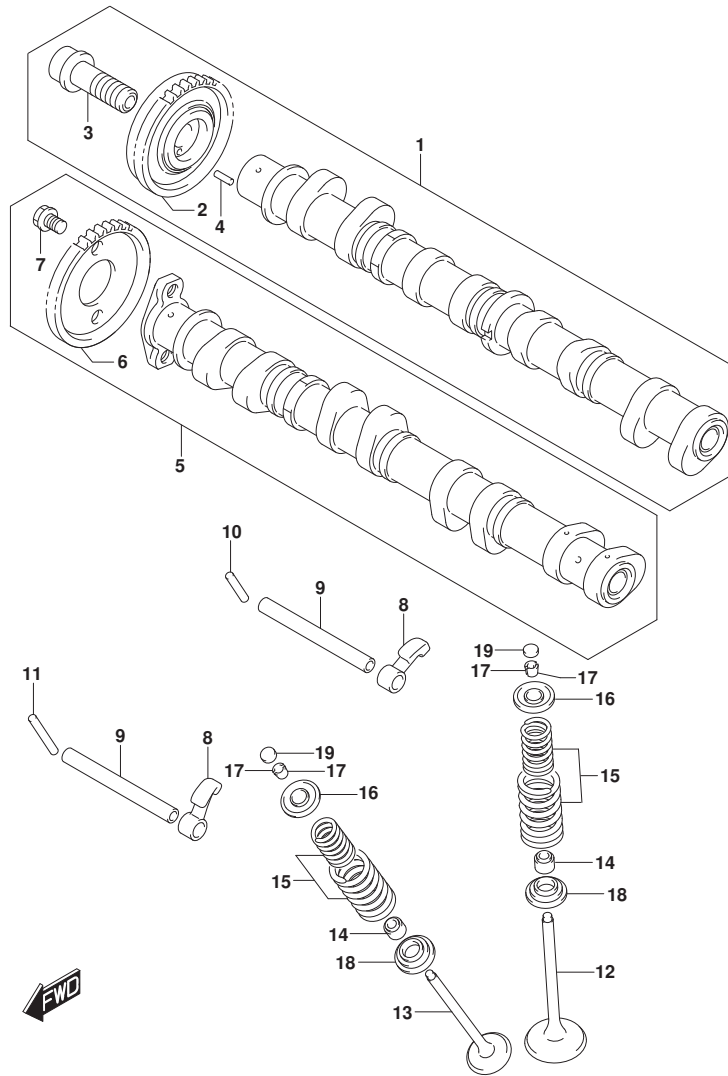


FIG.126A (1-B-12) CAMSHAFT/VALVE

REF NO.	PART NO.	DESCRIPTION	Q'TY	REMARKS
1	12710-17K00	CAMSHAFT,INTAKE	1	
2	12740-17K00	.SPROCKET,CAMSHAFT INTAKE (NT: 34)	1	
3	12746-17K00	.BOLT,SPROCKET INTAKE	1	
4	09261-03020	.PIN (3X8)	1	
5	12720-17K00	CAMSHAFT,EXHAUST	1	
6	12751-17K00	.SPROCKET,CAMSHAFT EXHAUST (NT :34)	1	
7	09103-07003	.BOLT (7X10)	2	
8	12841-17K01	ARM,VALVE ROCKER	16	
9	12861-17K00	SHAFT,VALVE ROCKER ARM	8	
10	09261-04005	ROLLER (4X23.8)	1	
11	12872-17K00	PIN,ROCKER ARM SHAFT EXHAUST	1	
12	12911-17K00	VALVE,INTAKE	8	
13	12912-17K00	VALVE,EXHAUST	8	
14	12919-17K00	SEAL,VALVE STEM OIL	16	
15	12920-17K10	SPRING SET,VALVE	16	
16	12931-17K01	RETAINER,VALVE SPRING	16	
17	12932-32C00	COTTER,VALVE	32	
18	12933-47H00	SEAT,VALVE SPRING	16	
19-1	12892-05C00-170	SHIM,TAPPET (T:1.70)	16	
19-2	12892-05C00-175	SHIM,TAPPET (T:1.75)	16	
19-3	12892-05C00-180	SHIM,TAPPET (T:1.80)	16	
19-4	12892-05C00-185	SHIM,TAPPET (T:1.85)	16	
19-5	12892-05C00-190	SHIM,TAPPET (T:1.90)	16	
19-6	12892-05C00-195	SHIM,TAPPET (T:1.95)	16	
19-7	12892-05C00-200	SHIM,TAPPET (T:2.00)	16	
19-8	12892-05C00-205	SHIM,TAPPET (T:2.05)	16	
19-9	12892-05C00-210	SHIM,TAPPET (T:2.10)	16	
19-10	12892-05C00-215	SHIM,TAPPET (T:2.15)	16	
19-11	12892-05C00-220	SHIM,TAPPET (T:2.20)	16	
19-12	12892-05C00-225	SHIM,TAPPET (T:2.25)	16	
19-13	12892-05C00-230	SHIM,TAPPET (T:2.30)	16	
19-14	12892-05C00-235	SHIM,TAPPET (T:2.35)	16	
19-15	12892-05C00-240	SHIM,TAPPET (T:2.40)	16	

FIG.126A

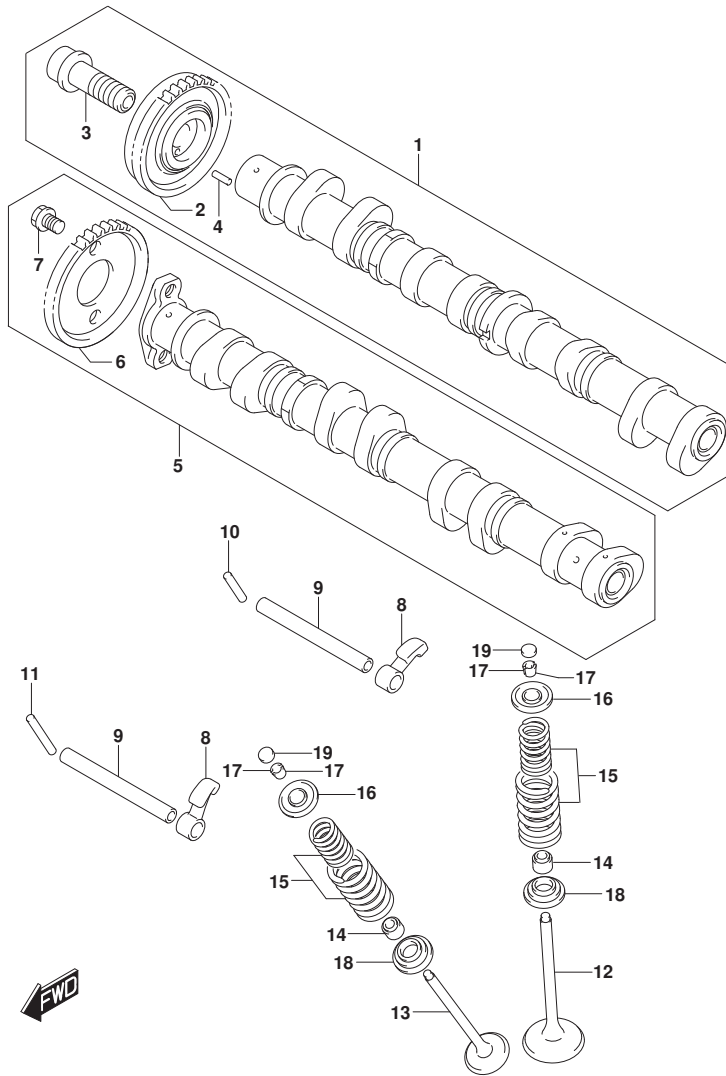


FIG.126A (1-B-13) CAMSHAFT/VALVE

REF NO.	PART NO.	DESCRIPTION	Q'TY	REMARKS
19-16	12892-05C00-245	SHIM,TAPPET (T:2.45)	16	
19-17	12892-05C00-250	SHIM,TAPPET (T:2.50)	16	
19-18	12892-05C00-255	SHIM,TAPPET (T:2.55)	16	
19-19	12892-05C00-260	SHIM,TAPPET (T:2.60)	16	
19-20	12892-05C00-265	SHIM,TAPPET (T:2.65)	16	
19-21	12892-05C00-270	SHIM,TAPPET (T:2.70)	16	
20	12800-05830	SHIM SET,TAPPET (5PCS.EACH)	1	OPT,NOT ILLUSTRATED
21	99000-69491	.CASE,TAPPET SHIM	1	OPT,NOT ILLUSTRATED

FIG.127A

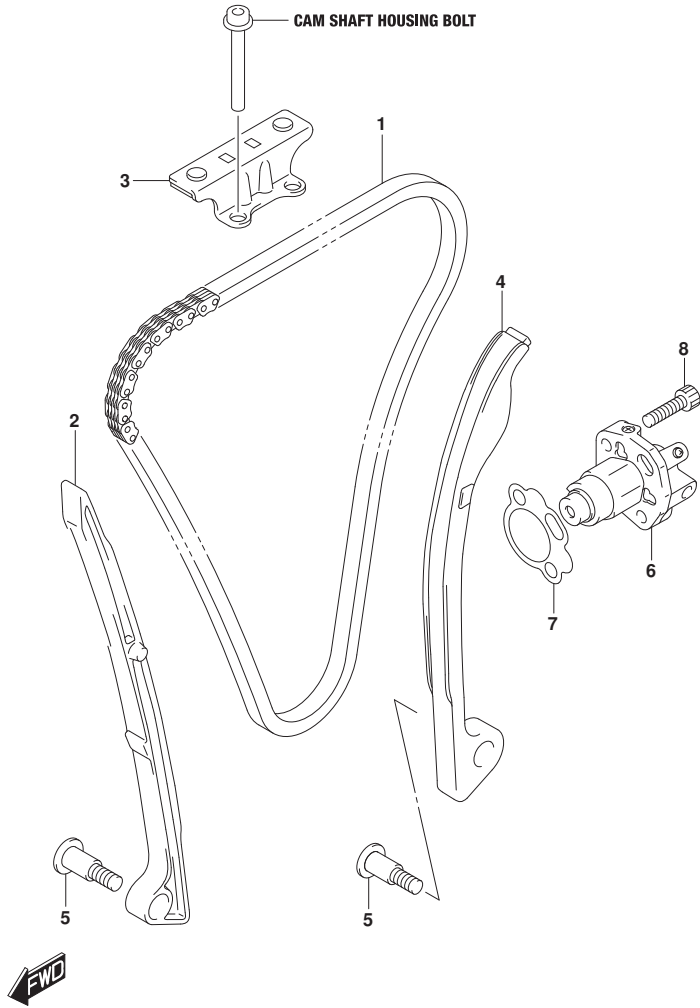
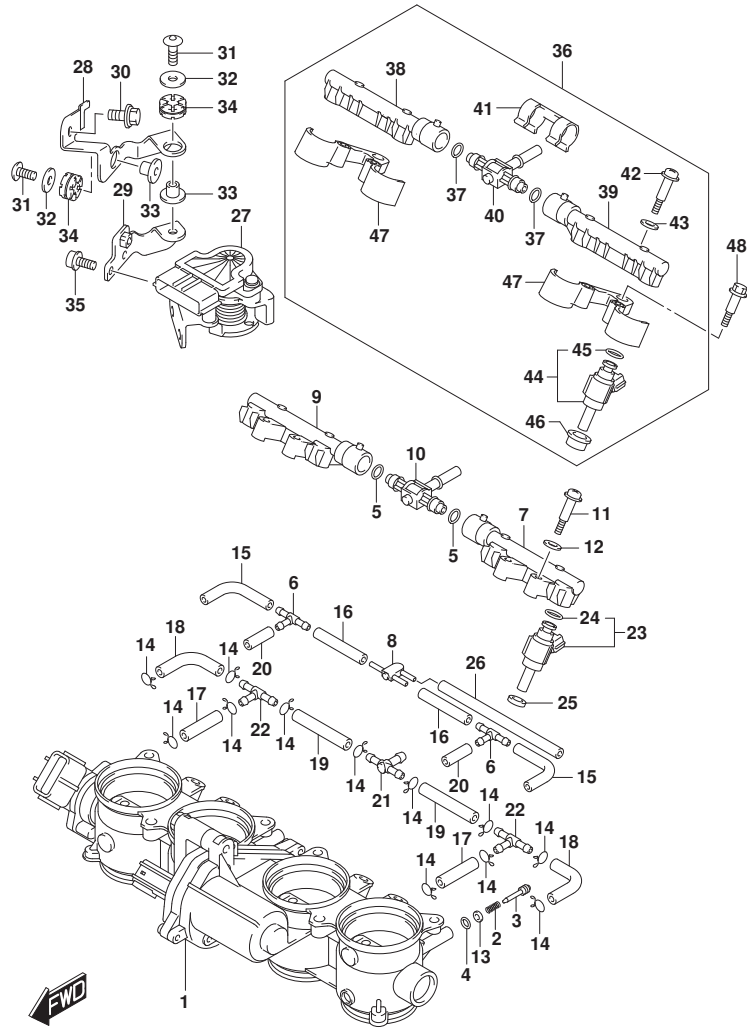


FIG.127A (1-B-14) CAM CHAIN

REF NO.	PART NO.	DESCRIPTION	Q'TY	REMARKS
1	12760-40F01	CHAIN,CAMSHAFT DRIVE	1	
2	12771-17K00	GUIDE,CAM CHAIN NO.1	1	
3	12782-35F11	GUIDE,CAM CHAIN NO.2	1	
4	12811-17K01	TENSIONER,CAM CHAIN	1	
5	12812-31G00	BOLT,CAM CHAIN TENSIONER	2	
6	12830-15H10	ADJUSTER ASSY,TENSIONER	1	
7	12837-02H00	GASKET,TENSIONER ADJUSTER	1	
8	07130-0625A	BOLT	2	

FIG.140B

FIG.140B (1-B-15) THROTTLE BODY



REF NO.	PART NO.	DESCRIPTION	Q'TY	REMARKS
1	13405-17K10	BODY ASSY,THROTTLE	1	
2	13268-48700	SPRING,THROTTLE SCREW	4	
3	13269-33E00	SCREW	4	
4	13295-29901	O RING	4	
5	13374-32G00	O-RING	2	
6	13685-02FA0	3WAY,VACUUM HOSE	2	
7	13471-17K00	DELIVERY PIPE	1	
8	13471-18H00	JOINT	1	
9	13472-17K00	DELIVERY PIPE	1	
10	13473-17K00	NIPPLE ASSY	1	
11	13601-29G00	SCREW	4	
12	13602-29G01	PACKING	4	
13	13606-47A00	WASHER	4	
14	13671-29G00	CLIP	12	
15	13681-39F01-060	HOSE	2	
16	13683-10F60	HOSE (L:425)	2	L:425>50
17	13683-04K10	HOSE (8.5X4.5X30)	2	
18	13683-17K00	HOSE	2	
19	13683-17K10	HOSE	2	
20	13683-10F60	HOSE (L:425)	2	
21	13685-29G00	NIPPLE	1	
22	13685-38420	NIPPLE	2	
23	15710-04K00	INJECTOR ASSY	4	
24	15717-58B00	.O-RING	16	
25	15722-14J00	SEAL	4	
26	09355-30705-600	HOSE (3X7X600)	1	
27	13500-17K00	BODY ASSY,ACCELERATOR	1	
28	13571-17K00	BRACKET,ACCEL SENSOR NO.1	1	
29	13572-17K00	BRACKET,ACCEL SENSOR NO.2	1	
30	09116-06197	BOLT (6X12)	1	
31	09139-06208	BOLT,ACCEL SENSOR ASSY BRKT	2	
32	09160-06088	WASHER (6.5X20X1.6)	2	
33	09180-06319	SPACER (6.5X10X11.6)	2	
34	09320-10055	CUSHION	2	
35	07120-0612B	BOLT	2	

FIG.140B

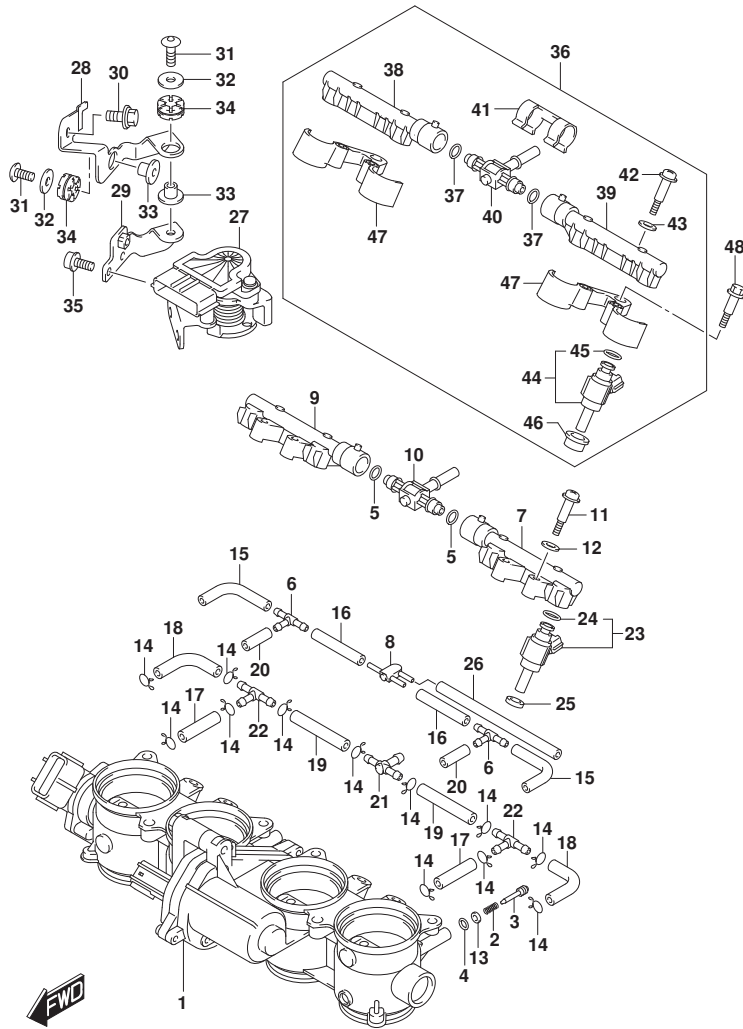


FIG.140B (1-B-16) THROTTLE BODY

REF NO.	PART NO.	DESCRIPTION	Q'TY	REMARKS
36	15900-17K00	BODY ASSY,2ND INJECTOR	1	
37	13374-32G00	.O-RING	2	
38	13471-17K00	.DELIVERY PIPE	1	
39	13472-17K00	.DELIVERY PIPE	1	
40	13473-17K00	.NIPPLE ASSY	1	
41	13474-17K00	.CLIP	1	
42	13601-29G00	.SCREW	4	
43	13602-29G01	.PACKING	4	
44	15710-17K10	.INJECTOR ASSY	4	
45	15717-58B00	.O-RING	4	
46	15722-17K00	.INSULATOR	8	
47	15910-17K00	.BRACKET,2ND INJECTOR	4	
48	09111-06250	BOLT,2ND INJ BRKT	2	

FIG.155A

FIG.155A (1-C-2) AIR CLEANER

REF NO.	PART NO.	DESCRIPTION	Q'TY	REMARKS
1	13740-17K00	CAP,AIR CLEANER	1	
2	13746-35F00	.GASKET,CAP	1	
3	15911-17K00	INSULATOR,INJECTOR	2	
4	13780-17K00	FILTER ASSY	1	
5	13720-17K00	CASE,AIR CLEANER	1	
6	13756-17K00	.GASKET CASE A	1	
7	13757-17K00	.GASKET CASE B	4	
8	13788-17K00	.FILTER,BREATHER	1	
9	13853-17K00	.TUBE,BREATHER	1	
10	13878-09F00	.PLUG,DRAIN	1	
11	09401-14101	.CLIP (ID:14.5)	2	
12	09401-14101	.CLIP (ID:14.5)	1	
13	13880-17K00	FUNNEL OUTLET RH	1	
14	13880-17K10	FUNNEL OUTLET LH	1	
15	13831-47H00	BOLT,AIR CLEANER CASE	6	
16	09111-06089	BOLT (6X16)	1	
17	13820-17K00	PLATE,CLNR DUCT RH	1	
18	13736-17K00	.CUSHION,CLNR DUCT	1	
19	13820-17K10	PLATE,CLNR DUCT LH	1	
20	13736-17K00	.CUSHION,CLNR DUCT	1	
21	03541-0412A	SCREW	2	
22	15630-29G40	SENSOR,BOOST	2	
23	15625-29G40	.COVER	2	
24	15632-17K00	HOLDER,BOOST SENSOR	1	
25	13650-14G10	SENSOR,AIR TEMP	1	
26	13655-14G10	.O-RING	1	
27	03511-0516A	SCREW	2	
28	03541-0525A	SCREW	10	

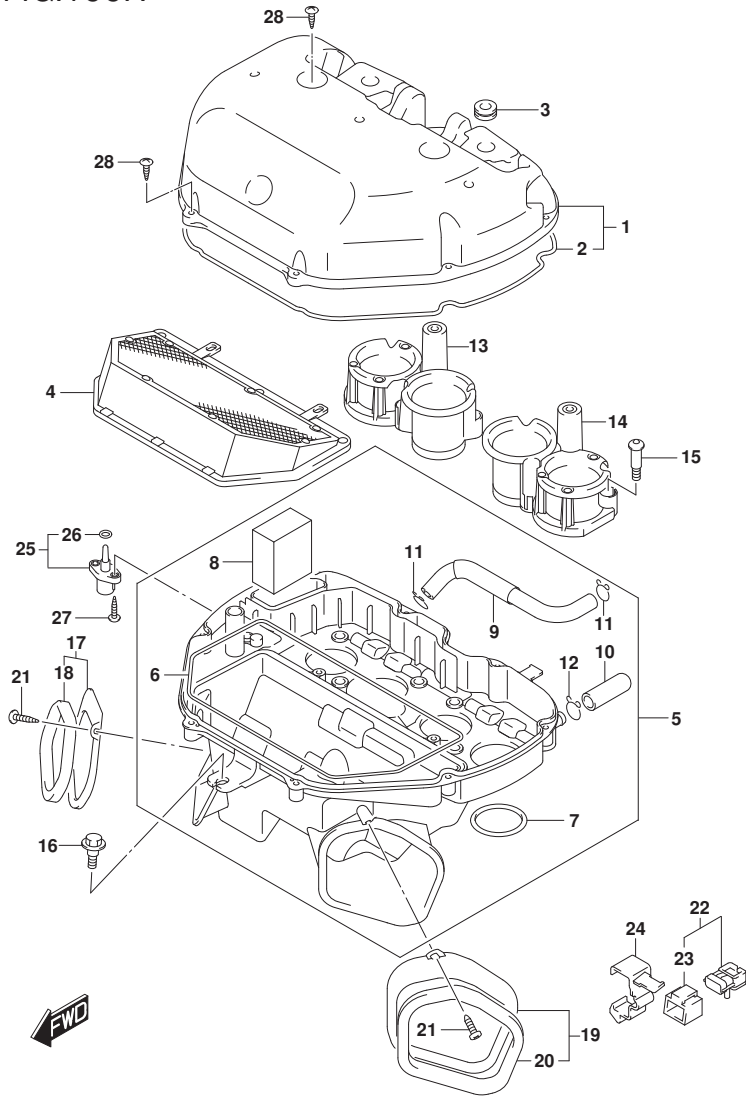


FIG.163A

FIG.163A (1-C-3) MUFFLER

REF NO.	PART NO.	DESCRIPTION	Q'TY	REMARKS
1	14100-17K01	EXHAUST	1	
2	14181-04K00	GASKET,EXHAUST PIPE	4	
3	14280-17K00	COVER,EXH VALVE	1	
4	09118-08152-A05	BOLT (8X45)	1	
5	09119-06105	BOLT	1	
6	09159-06100	NUT (M6)	3	
7	09180-08152	SPACER (8.6X12X24.2)	1	
8	09320-12077	CUSHION (12X30X24)	1	
9	07130-0825A	BOLT	8	
10	14310-17KD0	BODY,MUFFLER	1	
11	14459-17K10	CLAMP,MUF CONN	1	
12	14771-24F01	CONNECTOR,MUFFLER	1	
13	09106-08162	BOLT (8X40)	1	
14	09106-08195	BOLT (8X45)	1	
15	09160-08157	WASHER (8.5X28X1.6)	1	
16	09180-08152	SPACER (8.6X12X24.2)	1	
17	09320-12048	CUSHION (12X30X24)	1	
18	08361-2508B	NUT	1	
19	11269-18G01	PULLEY,CONTROLLER	1	
20	11276-17K00	CABLE,EXH VALVE NO.1	1	
21	11277-17K00	CABLE,EXH VALVE NO.2	1	
22	11278-17K00	CABLE,EXH VALVE NO.3	1	
23	14250-21H00	BRACKET,EXH VALVE CABLE	1	
24	14252-14J00	GUIDE,EXHAUST VALVE CABLE	1	
25	09403-06414	CLAMP,EXH VALVE CABLE	1	
26	09404-06429	CLAMP (L:45)	1	
27	01547-0516A	BOLT	1	
28	01547-0612A	BOLT	1	
29	08316-1006A	NUT	1	
30	14780-17K20	COVER,MUFFLER	1	
31	14784-17K00	.SHIELD,MUF COVER HEAT	1	
32	09320-08066	.CUSHION (8.4X18X6)	2	
33	09139-06124	SCREW (6X12)	2	
34	09320-08066	CUSHION (8.4X18X6)	3	
35	18213-17K00	SENSOR,OXYGEN	1	

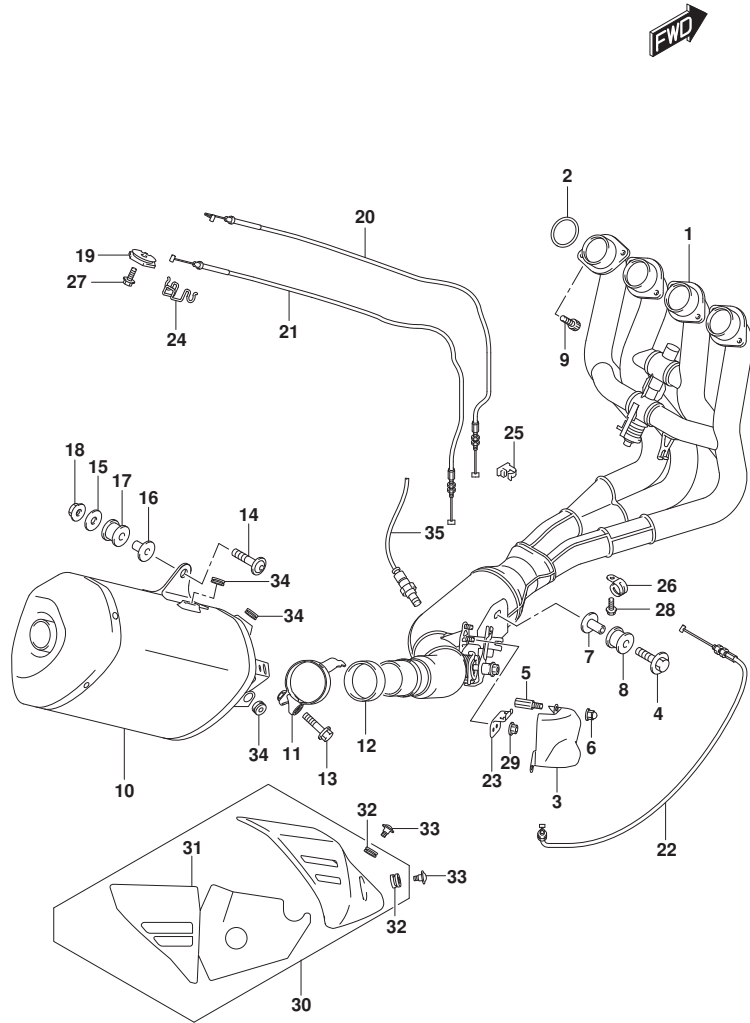


FIG.172A

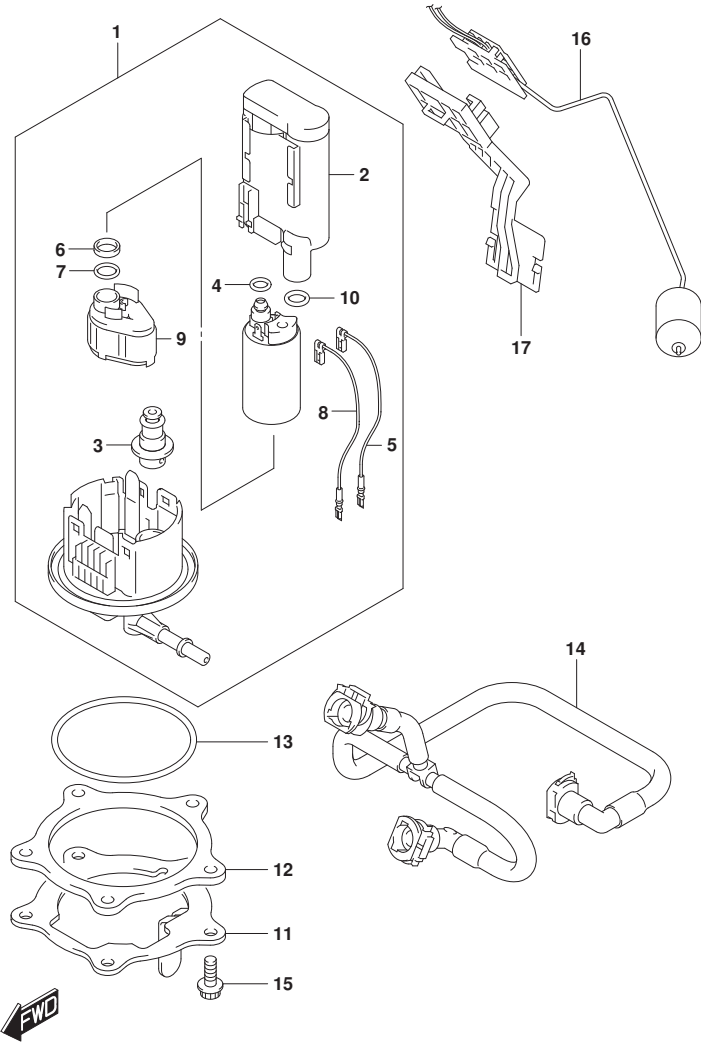


FIG.172A (1-C-4) FUEL PUMP

REF NO.	PART NO.	DESCRIPTION	Q'TY	REMARKS
1	15100-17K50	PUMP ASSY,FUEL	1	
2	15310-17K00	.FILTER	1	
3	15610-17K50	.REGULATOR	1	
4	15113-05H00	.O RING	1	
5	15114-17K00	.WIRE,EARTH	1	
6	15116-17K00	.COLLAR	1	
7	15113-17K00	.O-RING	1	
8	15115-17K00	.WIRE,LEAD	1	
9	15420-17K00	.STRAINER	1	
10	15113-35F00	.O RING	1	
11	15120-17K00	PLATE,FUEL PUMP OUTER	1	
12	15122-17K00	PLATE,FUEL PUMP INNER	1	
13	15201-07L00	O-RING,FUEL PUMP	1	
14	15810-17K00	HOSE,FUEL	1	
15	07120-0616A	BOLT	5	
16	34810-17K10	GAUGE ASSY,FUEL LEVEL SENDER	1	
17	34815-17K10	ATTACHMENT,FUEL LEVEL GAUGE	1	

FIG.178A

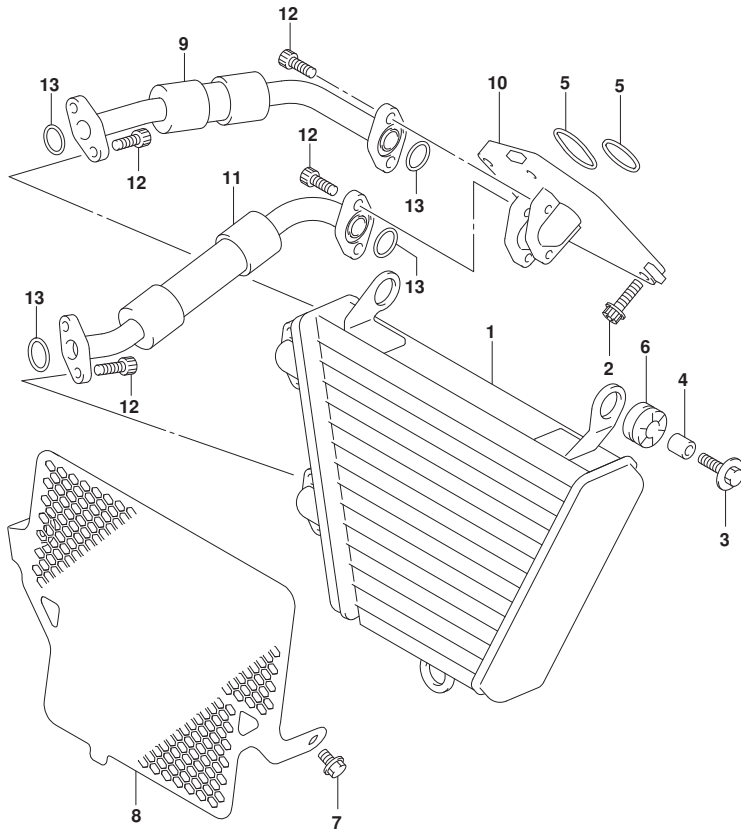


FIG.178A (1-C-5) OIL COOLER

REF NO.	PART NO.	DESCRIPTION	Q'TY	REMARKS
1	16600-47H20	COOLER ASSY,OIL	1	
2	09116-06514	BOLT,WITH WASHER	4	
3	09118-06122	BOLT (6X25)	3	
4	09180-06290	SPACER (6.5X10X12)	3	
5	09280-33006	O-RING,OIL COOLER	2	
6	09320-10051	CUSHION	3	
7	01550-0610A	BOLT	2	
8	16651-17K00	GUARD,OIL COOLER	1	
9	16460-17K00	HOSE,OIL COOLER INLET	1	
10	16469-17K00	PLATE,OIL HOSE	1	
11	16470-17K00	HOSE,OIL COOLER OUTLET	1	
12	09106-06073	BOLT (6X16)	8	
13	09280-15015	O-RING (D:2.4,ID:16)	4	

FIG.180A

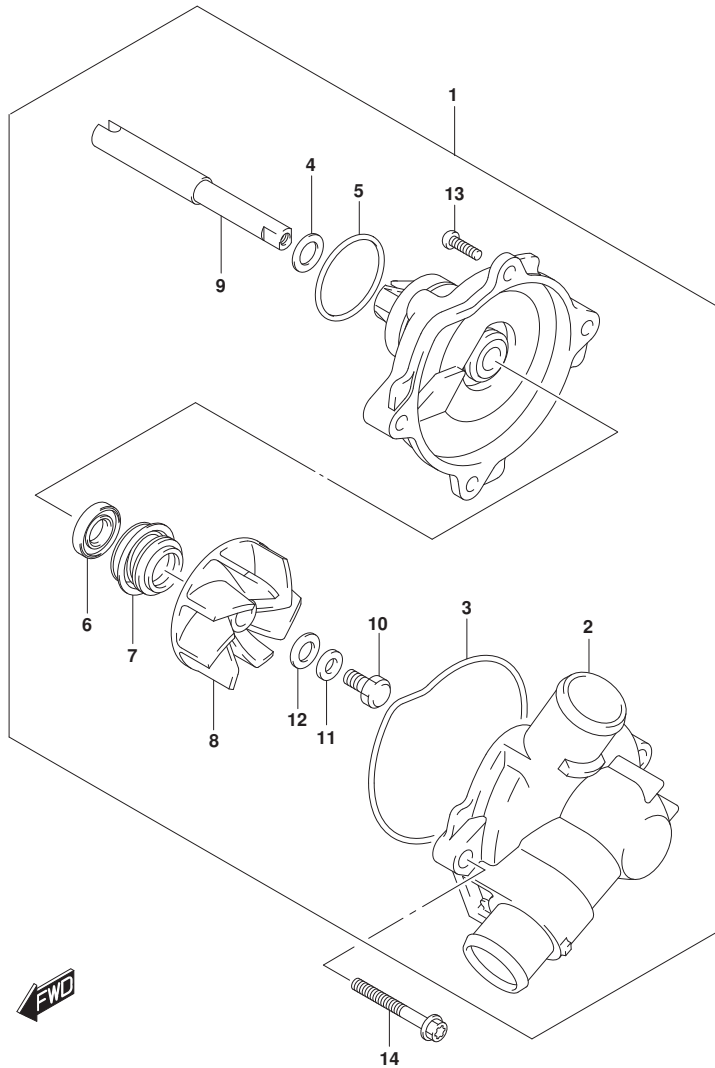


FIG.180A (1-C-6) WATER PUMP

REF NO.	PART NO.	DESCRIPTION	Q'TY	REMARKS
1	17400-17K01	PUMP ASSY,WATER	1	
2	17410-17K00	.CASE	1	
3	17418-33401	.O RING	1	
4	17432-07G00	.WASHER	1	
5	17435-33400	.O RING	1	
6	17461-01H00	.OIL SEAL	1	
7	17470-02F11	.SEAL,MECHANICAL	1	
8	17491-17K00	.IMPELLER	1	
9	17511-47H00	.SHAFT	1	
10	09100-06099	.BOLT (6X13)	1	
11	09164-06006	.WASHER	1	
12	09168-06025	.GASKET (6X15X2.2)	1	
13	02112-0616A	.SCREW	2	
14	09103-06530	BOLT,CLUTCH COVER (L:35)	2	

FIG.185A

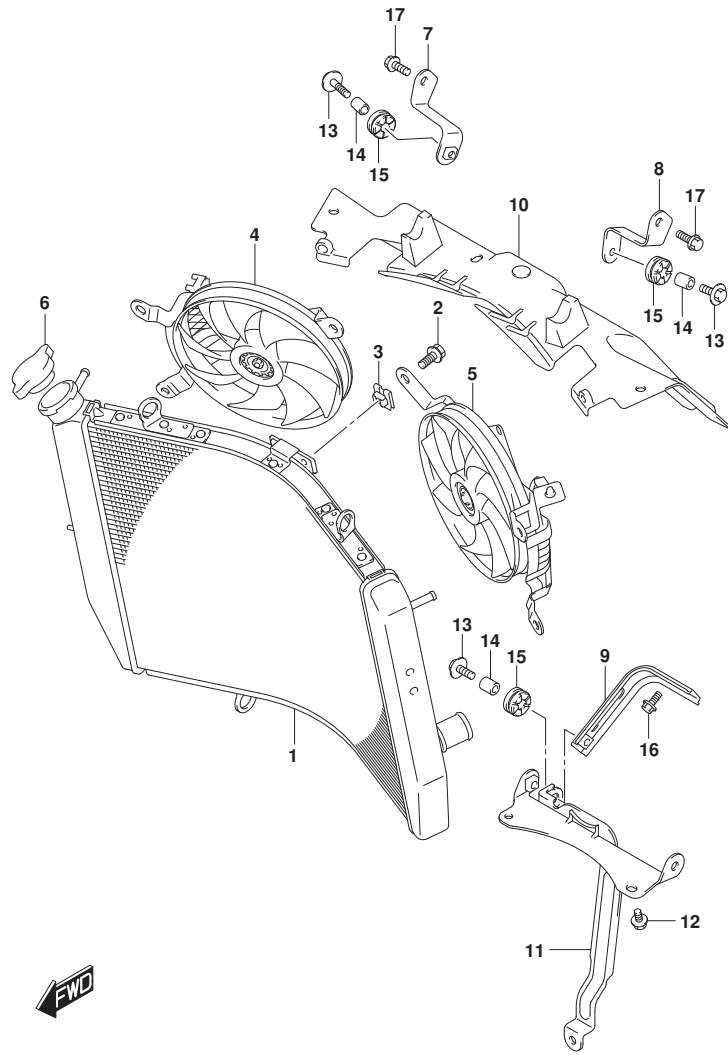


FIG.185A (1-C-7) RADIATOR

REF NO.	PART NO.	DESCRIPTION	Q'TY	REMARKS
1	17710-17K01	RADIATOR ASSY,WATER	1	
2	17711-08J00	BOLT,FAN ASSY	6	
3	17712-40F00	NUT,FAN ASSY	2	
4	17810-17K00	FAN ASSY,RADIATOR RH	1	
5	17820-17K00	FAN ASSY,RADIATOR LH	1	
6	17730-08J00	CAP,RADIATOR (1.1)	1	
7	17741-17K00	BRACKET,RADIATOR UPPER RH	1	
8	17742-17K00	BRACKET,RADIATOR UPPER LH	1	
9	17750-17K00	BRACKET,RADIATOR LOWER RH	1	
10	17771-17K00	SHIELD,RADIATOR HEAT	1	
11	17790-17K00	BRACKET,RDTR SUPPORT	1	
12	09103-06307	BOLT (6X10)	2	
13	09118-06097	BOLT (6X25)	3	
14	09180-06290	SPACER (6.5X10X12)	3	
15	09320-10051	CUSHION	3	
16	01550-0612A	BOLT	1	
17	01550-0616A	BOLT	2	



FIG.187A

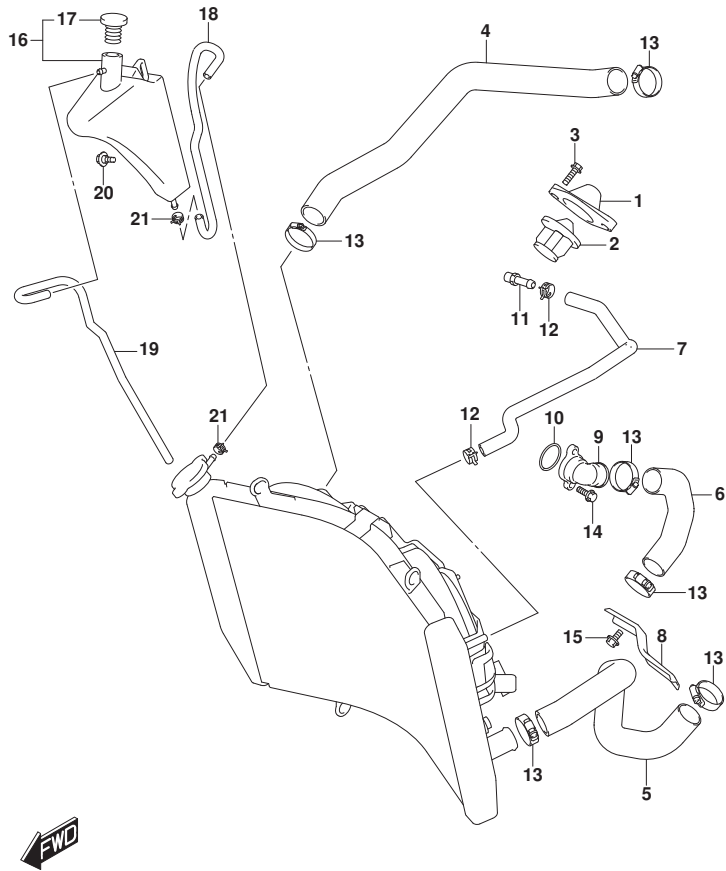


FIG.187A (1-C-8) RADIATOR HOSE

REF NO.	PART NO.	DESCRIPTION	Q'TY	REMARKS
1	17661-37H00	COVER,THERMOSTAT	1	
2	17670-06G61	THERMOSTAT,WATER	1	
3	01547-0620A	BOLT	2	
4	17851-17K00	HOSE,RDTR INLET	1	
5	17852-17K00	HOSE,RDTR OUTLET	1	
6	17853-17K00	HOSE,CYLINDER INLET	1	
7	17854-17K00	HOSE,WATER BYPASS	1	
8	17859-17K00	BRACKET,HOSE GUIDE	1	
9	17861-17K00	CONNECTOR,CYL WATER INLET	1	
10	09280-28005	O-RING (D:2.4,OD:27.7)	1	
11	09362-09011	UNION	1	
12	09401-12414	CLAMP	2	
13	09402-35501	CLAMP	6	
14	01547-0616A	BOLT	2	
15	01550-0612A	BOLT	1	
16	17910-17K00	TANK ASSY,RESERVOIR	1	
17	17931-31J00	.CAP,WATER RESERVOIR TANK	1	
18	17981-17K00	HOSE,RESERVOIR TANK INLET	1	
19	17982-47H10	HOSE,RSVR TANK OVFL	1	
20	09111-06085	BOLT (6X12)	1	
21	09401-08411	CLIP (ID:8.6)	2	

FIG.189A

FIG.189A (1-C-9) 2ND AIR

REF NO.	PART NO.	DESCRIPTION	Q'TY	REMARKS
1	18450-35F60	VALVE ASSY,2ND AIR REED	2	
2	18461-47H00	HOSE,2ND AIR VALVE RH	1	
3	18471-47H00	HOSE,2ND AIR VALVE LH	1	
4	18510-29G70	VALVE ASSY,AIR CUT	1	
5	18531-35F30	COVER,2ND AIR REED VALVE	2	
6	18711-17K00	HOSE,2ND AIR CLNR	1	
7	09401-17201	CLIP	6	
8	01547-0620A	BOLT	4	

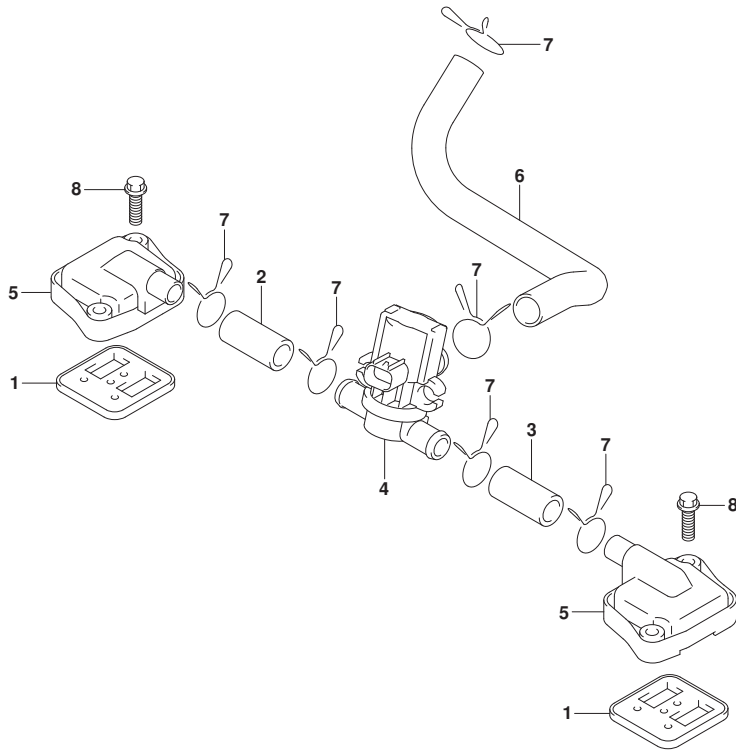
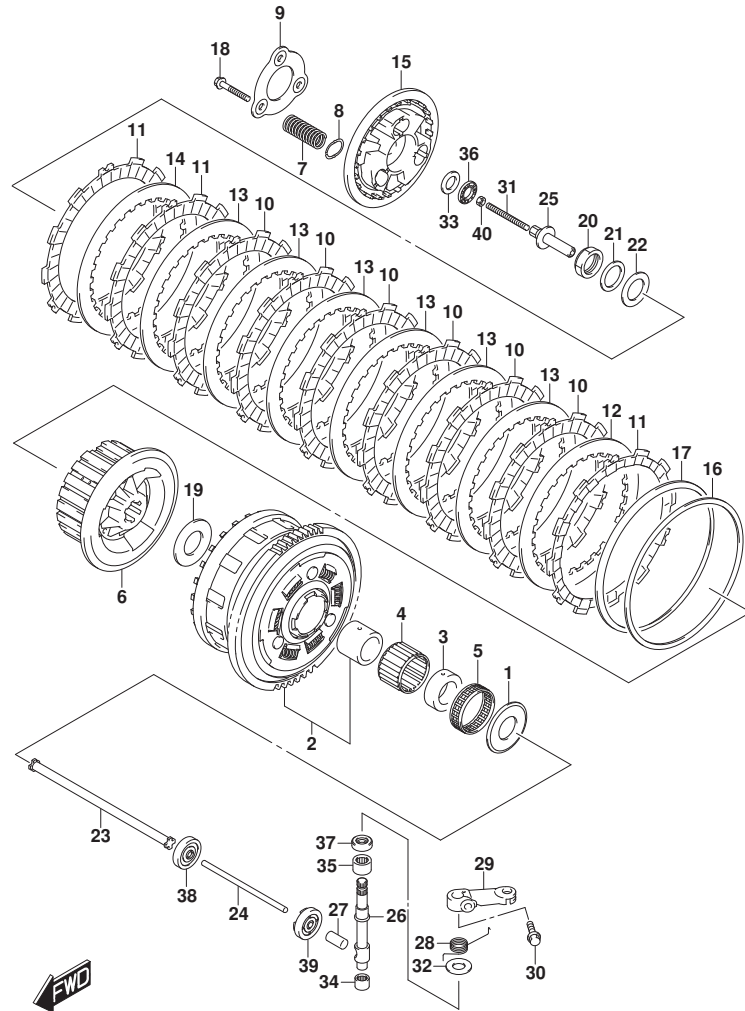


FIG.201A



GSX-R1000AM1_E06_201A
CLUTCH

FIG.201A (1-C-10) CLUTCH

REF NO.	PART NO.	DESCRIPTION	Q'TY	REMARKS
1	21222-17K00	WASHER,PRI DRIVEN GEAR THR	1	
2	21200-17880	GEAR ASSY, PRIMARY DRIVEN (NT: 76)	1	
3	21253-01H10	SPACER,OIL PUMP DRIVE SPROCKET	1	
4	09263-35015	BEARING (35X40X26.8)	1	
5	09263-35045	BEARING (35X40X12)	1	
6	21411-17K00	HUB,CLUTCH SLEEVE	1	
7	21413-17K00	SPRING,CLUTCH	3	
8	21415-17K00	SEAT,CLUTCH SPRING	3	
9	21414-17K00	PLATE,STOPPER	1	
10	21441-42F20	PLATE,CLUTCH DRIVE NO.1 (T:3.3)	6	
11	21442-42F10	PLATE,CLUTCH DRIVE NO.2 (T:3.3)	3	
12	21451-47H10	PLATE,CLUTCH DRIVEN NO.2 (T:2.3)	1	
13	21451-47H30	PLATE,CLUTCH DRIVEN NO.1 (T:2.3)	6	
14	21451-47H50	PLATE,CLUTCH DRIVEN NO.4 (T:2.6)	1	
15	21462-17K00	DISC,CLUTCH PRESSURE	1	
16	21471-02F20	SEAT,WAVE WASHER	1	
17	21472-02F20	WASHER,CLUTCH PLATE WAVE	1	
18	21482-17K00	BOLT,CLUTCH SPRING	3	
19	09160-25056	WASHER (25X50X2.5)	1	
20	09159-24010	NUT	1	
21	09164-24008	WASHER (24.2X35X2.7)	1	
22	09181-25223	SHIM (25X38X1)	1	
23	23110-27A00	ROD,CLUTCH (L:161)	1	
24	23111-26D00	ROD,CLUTCH PUSH LH (L:132.5)	1	
25	23121-41G30	PIECE,CLUTCH PUSH	1	
26	23122-41G00	CAMSHAFT,CLUTCH RELEASE	1	
27	23123-41G00	CAP,CLUTCH PUSH ROD	1	
28	23125-41G00	SPRING,CLUTCH RELEASE RETURN	1	
29	23271-41G50	ARM,CLUTCH RELEASE	1	

GSX-R1000AM1_E06

FIG.201A

FIG.201A (1-C-11) CLUTCH

REF NO.	PART NO.	DESCRIPTION	Q'TY	REMARKS
30	09103-06527	BOLT, GEAR SHIFT LINK ARM	1	
31	09134-06015	SCREW (6X73)	1	
32	09160-10020	WASHER, 10.5X24X1 (10.5X24X1.0)	1	
33	09160-15045	WASHER (15.5X28X1)	1	
34	09263-10014	BEARING (10X14X10)	1	
35	09263-12027	BEARING (12X18X12)	1	
36	09263-15003	BEARING (15X28X2)	1	
37	09282-10012	SEAL, OIL (10X20X6)	1	
38	09283-06013	SEAL, CLUTCH PUSH ROD OIL	1	
39	09285-10004	OIL SEAL (10X17X5)	1	
40	08310-0006A	NUT	1	

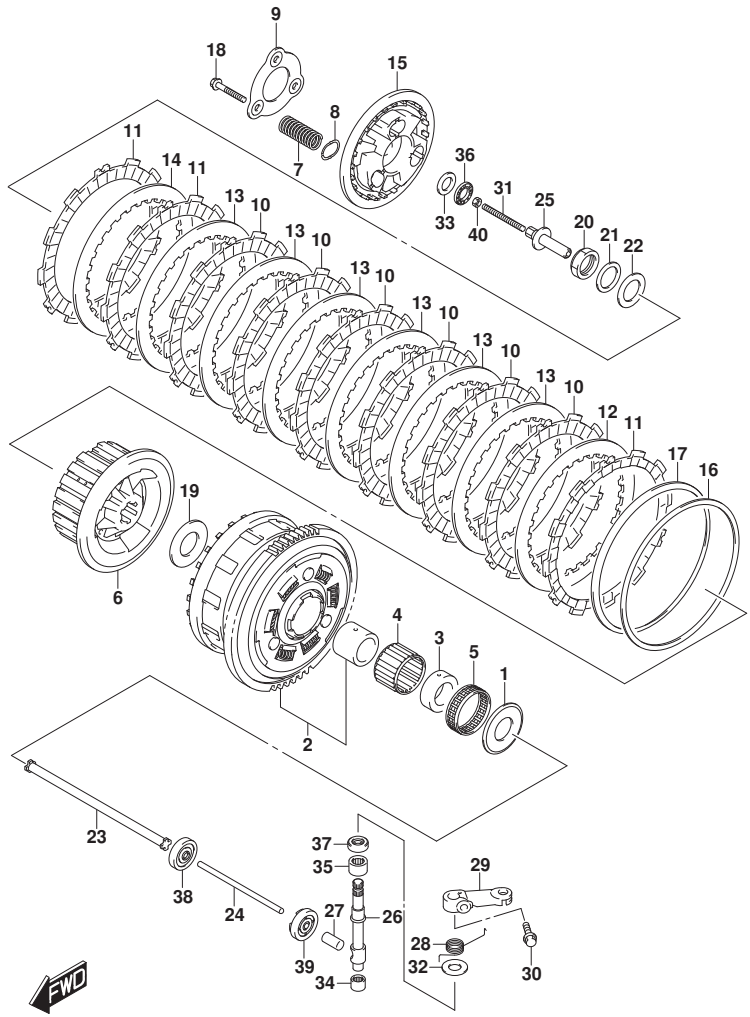


FIG.206A

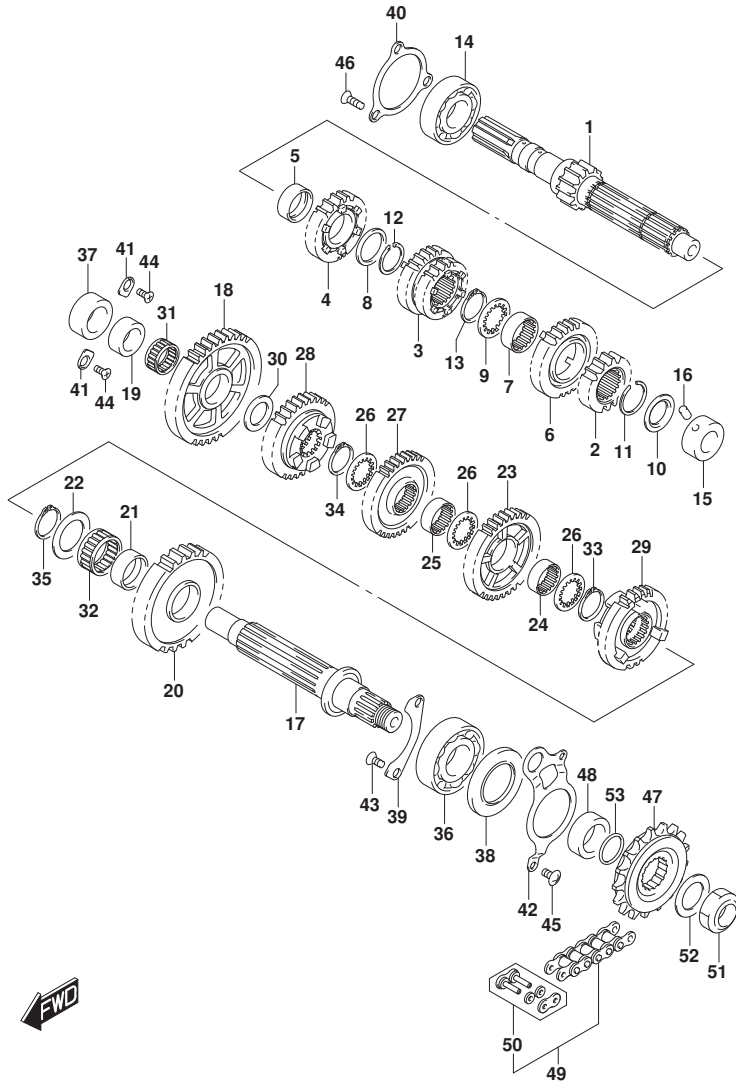


FIG.206A (1-C-12) TRANSMISSION

REF NO.	PART NO.	DESCRIPTION	Q'TY	REMARKS
1	24120-17K10	SHAFT,CNTR (NT:16)	1	
2	24221-40F30	GEAR,2ND DRIVE (NT:19)	1	
3	24231-47H10	GEAR,3RD & 4TH DRIVE (NT:21/24)	1	
4	24251-47H20	GEAR,5TH DRIVE (NT:25)	1	
5	24252-24F20	BUSH,5TH DRIVE GEAR	1	
6	24261-47H20	GEAR,6TH DRIVE (NT:26)	1	
7	24262-24F20	BUSH,6TH DRIVE GEAR	1	
8	09160-27008	WASHER (27X36X1.0)	1	
9	09167-27001	WASHER,LOCK (27X36X1)	1	
10	09285-20006	SEAL,OIL (20X31.2X2.7)	1	
11	09380-27004	CIRCLIP	1	
12	09380-27006	CIRCLIP	1	
13	09380-27006	CIRCLIP	1	
14	09262-25001	BEARING	1	
15	09263-20114	BEARING,COUNTER SHAFT LH	1	
16	04221-07129	PIN	1	
17	24131-17K00	SHAFT,DRIVE	1	
18	24311-47H00	GEAR,1ST DRIVEN (NT:41)	1	
19	24315-17K00	SPACER,1ST DRIVEN GEAR	1	
20	24321-17K00	GEAR,2ND DRIVEN (NT:39)	1	
21	24322-17K00	BUSH,2ND DRIVEN GEAR	1	
22	24323-17K00	WASHER,2ND DRIVEN GEAR	1	
23	24331-47H20	GEAR,3RD DRIVEN (NT:36)	1	
24	24332-24F20	BUSH,3RD DRIVEN GEAR	1	
25	24332-24F20	BUSH,3RD DRIVEN GEAR	1	
26	24333-47H00	WASHER,3RD & 4TH DRIVEN GEAR	3	
27	24341-47H10	GEAR,4TH DRIVEN (NT:36)	1	
28	24351-47H00	GEAR,5TH DRIVEN (NT:34)	1	
29	24361-17K00	GEAR,6TH DRIVEN (NT:33)	1	
30	09181-24005	SHIM (24X34X1)	1	
31	09263-24030	BEARING (24X28X13)	1	
32	09263-35045	BEARING (35X40X12)	1	
33	09380-30009	CIRCLIP	1	
34	09380-30009	CIRCLIP	1	

FIG.206A

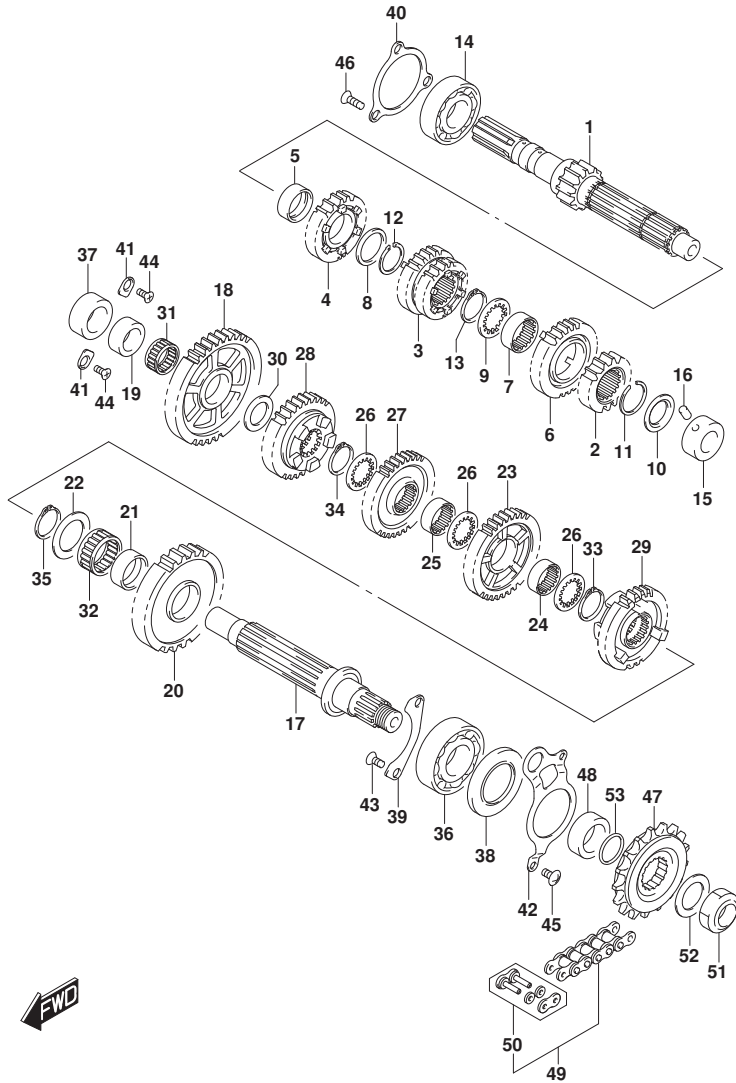


FIG.206A (1-C-13) TRANSMISSION

REF NO.	PART NO.	DESCRIPTION	Q'TY	REMARKS
35	09380-30009	CIRCLIP	1	
36	09262-30001	BEARING	1	
37	09263-22074	BEARING,DRIVE SHAFT RH	1	
38	09283-40043	SEAL,DRIVE SHAFT OIL	1	
39	24741-06G00	RETAINER,DRIVE SHAFT BRG	1	
40	24741-17K00	RETAINER,COUNTER SHAFT BRG	1	
41	24741-20A00	RETAINER,COUNTER BEARING RH	2	
42	24751-17K00	RETAINER,CL PUSH ROD OIL SEAL	1	
43	09126-06011	SCREW (6X12)	2	
44	09126-06011	SCREW (6X12)	2	
45	09139-06153	SCREW (6X13)	2	
46	09139-06159	SCREW (6X20)	3	
47	27510-17K00	SPROCKET,ENGINE (NT:17)	1	
48	27531-17K00	SPACER,ENGINE SPROCKET	1	
49	27600-17K00-120	CHAIN ASSY,DRIVE (DID525HV3)	1	
50	27620-17K00	.JOINT SET (DID525HV3)	1	
51	09159-22008	NUT	1	
52	09181-27016	SHIM (27X42X1.5)	1	
53	09280-26005	O-RING (D:2.4,ID:26.2)	1	

FIG.212A

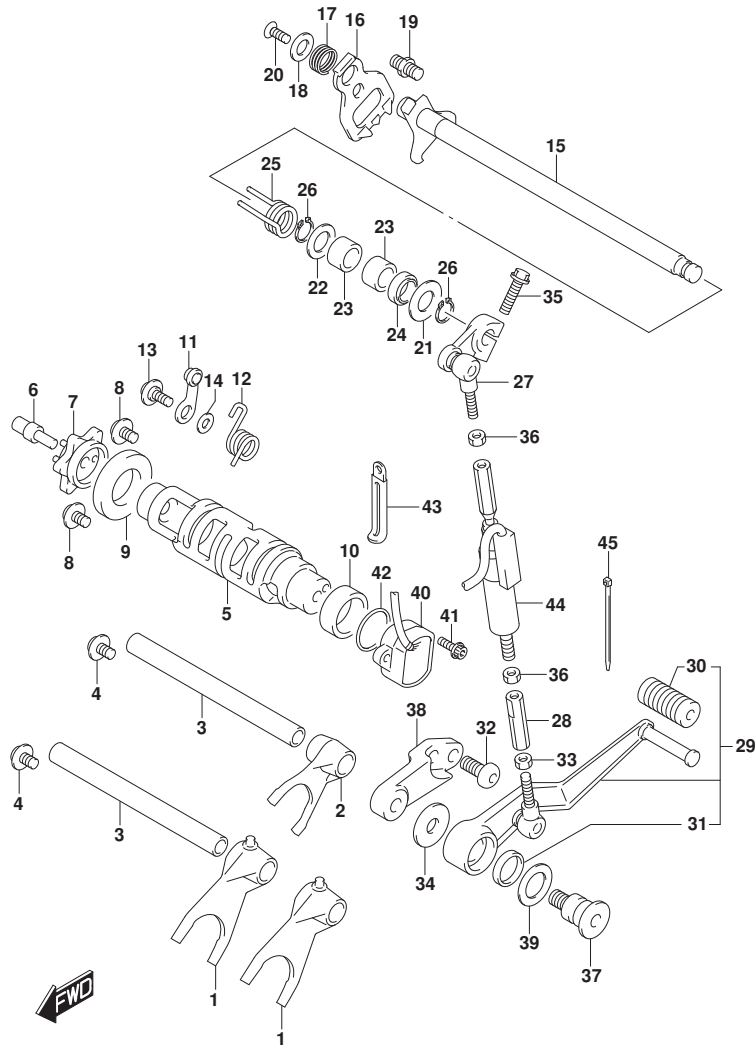


FIG.212A (1-C-14) GEAR SHIFTING

REF NO.	PART NO.	DESCRIPTION	Q'TY	REMARKS
1	25211-01H11	FORK,GEAR SHIFT NO.1	2	
2	25231-01H02	FORK,GEAR SHIFT NO.3	1	
3	25411-38B01	SHAFT,GEAR SHIFT FORK (L:152)	2	
4	09136-06147	SCREW (6X12)	2	
5	25310-17K00	CAM,GEAR SHIFT	1	
6	25312-17K00	BOLT,GEAR SHIFT CAM PLATE	1	
7	25381-17K00	PLATE,GEAR SHIFT CAM	1	
8	09136-06147	SCREW (6X12)	2	
9	09262-25006	BEARING (25X47X8)	1	
10	09263-25018	BEARING (25X32X12)	1	
11	25350-06G00	STOPPER,SHIFT CAM	1	
12	25355-17K00	SPRING,GEAR SHIFT CAM STOPPER	1	
13	09111-06041	BOLT (6X14.3)	1	
14	08211-06141	WASHER	1	
15	25510-17K00	SHAFT,GEAR SHIFT	1	
16	25512-06G20	PLATE,GEAR SHIFT CAM DRIVE	1	
17	25518-01H00	SPRING,GEAR SHIFT PLATE RETURN	1	
18	25519-01H00	WASHER,GEAR SHIFT SHAFT END	1	
19	25671-01011	STOPPER,GEAR SHIFT ARM	1	
20	09126-06014	SCREW (6X16)	1	
21	09160-14016	WASHER (14X29X0.8)	1	
22	09181-14195	SHIM (14X24X1)	1	
23	09263-14027	BEARING (14X20X12)	2	
24	09283-14005	OIL SEAL (14X22X7.3)	1	
25	09444-20001	SPRING	1	
26	08331-3114A	CIRCLIP	2	
27	25520-17K10	ARM,GEAR SHIFT LINK	1	
28	25525-17K10	ROD,GEAR SHIFT LINK	1	
29	25600-17K00	LEVER ASSY,GEAR SHIFT	1	
30	25652-20C00	.RUBBER,GEAR SHIFT PEDAL	1	
31	09284-18005	.SEAL,GEAR SHIFT LEVER (18X24X 3.5)	2	
32	09106-08167	BOLT (8X20)	2	
33	09140-06025	NUT	1	
34	09160-10144	WASHER (10X30X2.5)	1	

FIG.212A

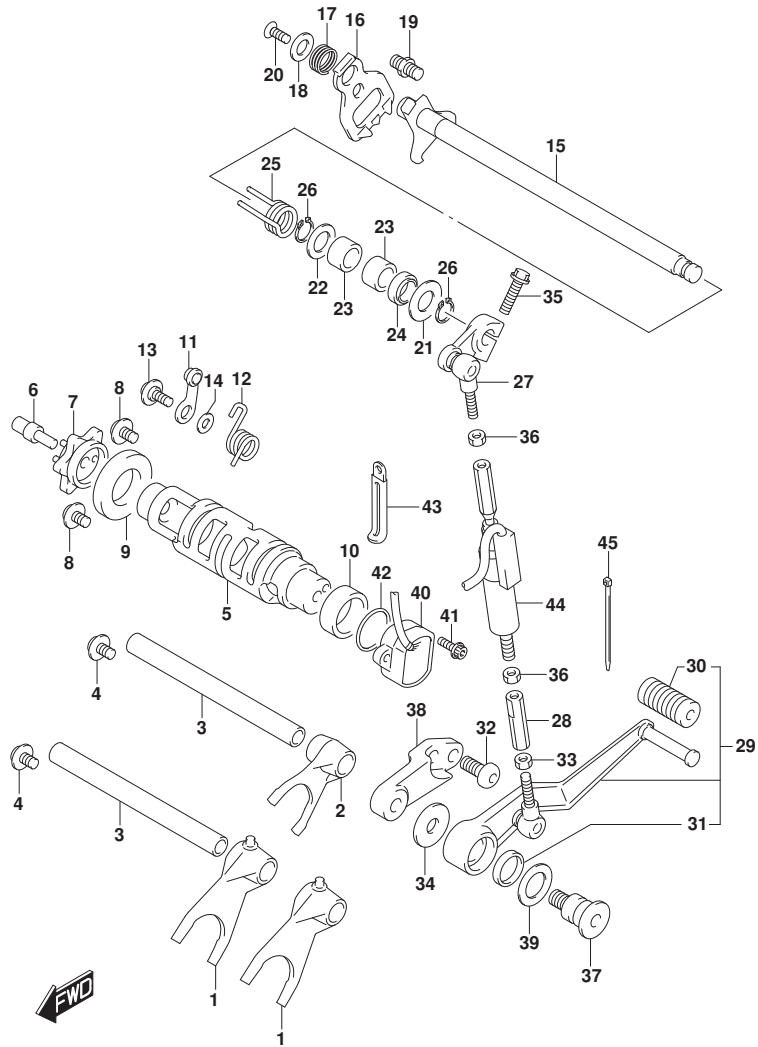


FIG.212A (1-C-15) GEAR SHIFTING

REF NO.	PART NO.	DESCRIPTION	Q'TY	REMARKS
35	07120-0625B	BOLT	1	
36	09140-06020	NUT	2	
37	25617-17K00	SHAFT,GEAR SHIFT LEVER	1	
38	25681-17K00	BRACKET,GEAR SHIFT LEVER	1	
39	25619-17K00	WASHER,GEAR SHIFT LEVER LH	1	
40	37730-17K00	SENSOR ASSY,GEAR POSITION	1	
41	09106-05023	BOLT (5X16)	2	
42	09280-26005	O-RING (D:2.4,ID:26.2)	1	
43	09404-06429	CLAMP (L:45)	1	
44	25501-17830	SENSOR & ROD SET	1	
45	09407-14407	CLAMP (L:145)	1	

FIG.301A

FIG.301A (1-C-16) STARTING MOTOR

REF NO.	PART NO.	DESCRIPTION	Q'TY	REMARKS
1	31100-17K00	MOTOR ASSY,STARTING	1	
2	31150-40F01	.HOUSING ASSY	1	
3	31153-49210	..OIL SEAL	1	
4	31175-40F01	.FRAME ASSY	1	
5	31264-32C10	.O-RING	2	
6	31281-40F00	.BOLT	2	
7	31361-17K00	.PLATE,LOCK	1	
8	31361-10200	.RING,SNAP	1	
9	31156-40F01	.O-RING (D:3.1, D:24.5)	1	
10	31361-38300	.SHIM	1	
11	01547-0620A	BOLT	2	
12	09137-05004	SCREW (5X8)	1	

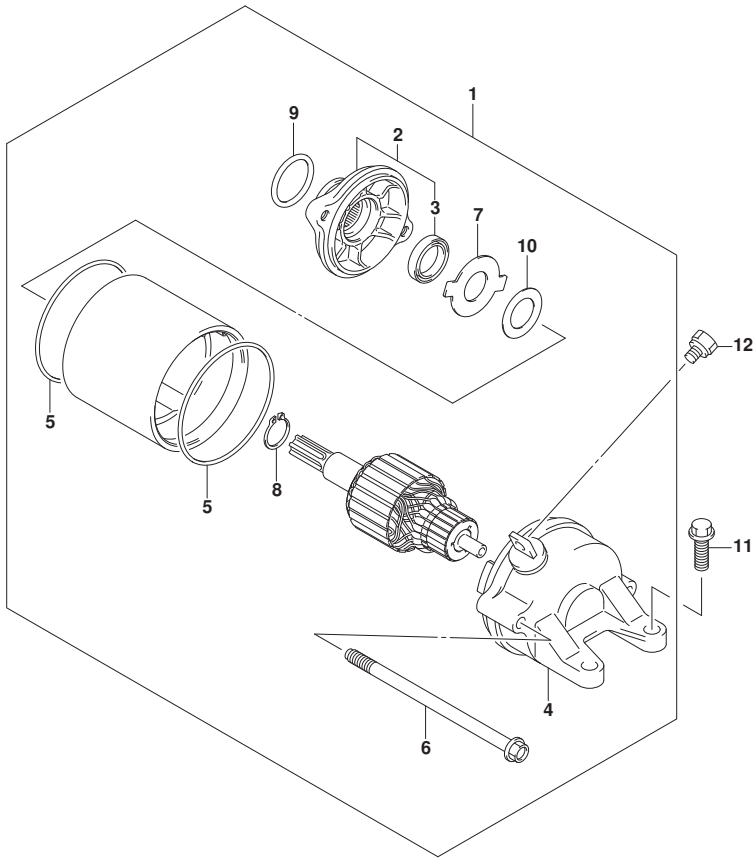


FIG.304A

FIG.304A (1-D-2) GENERATOR

REF NO.	PART NO.	DESCRIPTION	Q'TY	REMARKS
1	32101-17K00	STATOR ASSY	1	
2	32102-17K00	ROTOR ASSY	1	
3	32371-17K00	CLAMP,MAGNETO LEAD WIRE	1	
4	09103-12135	BOLT,MAGNETO ROTOR	1	
5	09106-06137	BOLT,MAGNETO STATOR	3	
6	09160-12036	WASHER (12X30X3.0)	1	
7	07130-0512A	BOLT	2	
8	09420-04008	KEY (B:4,D:16,H6.5)	1	

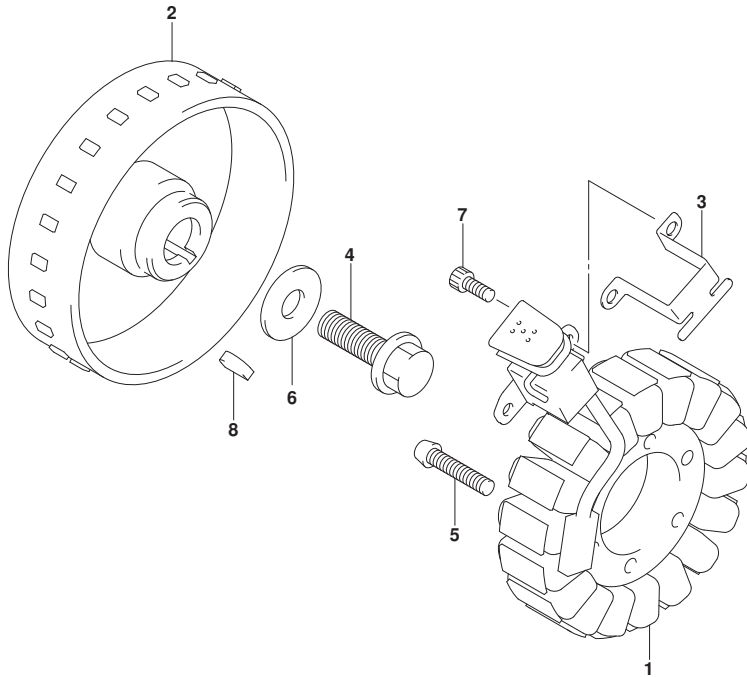


FIG.310A

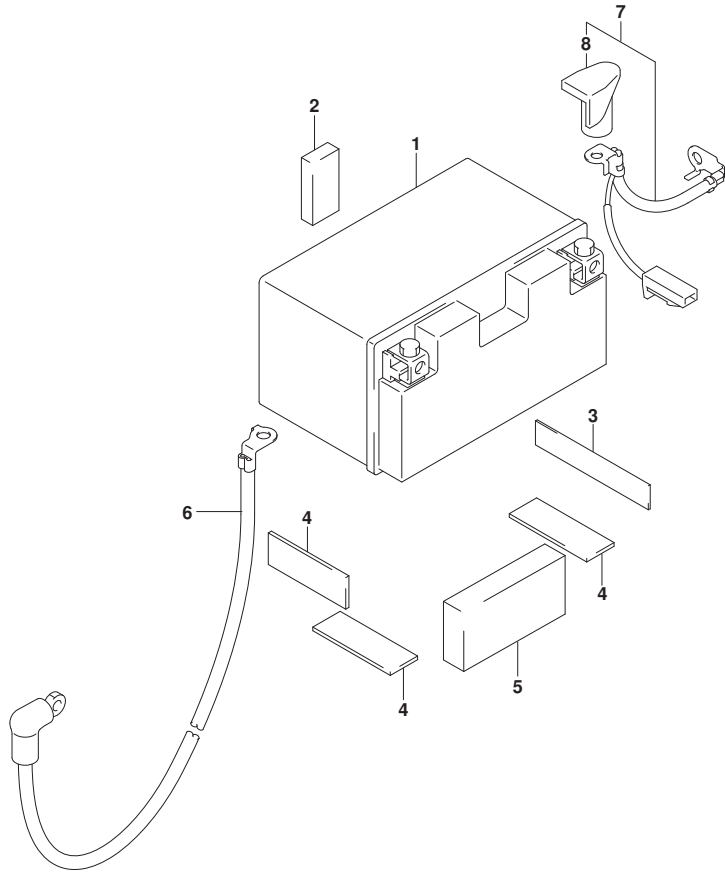


FIG.310A (1-D-3) BATTERY

REF NO.	PART NO.	DESCRIPTION	Q'TY	REMARKS
1	33620-17K01	BATTERY ASSY	1	
2	33652-17K00	PROTECTOR,BATTERY	1	
3	33652-17K20	PROTECTOR,BATTERY	1	
4	33652-17K30	PROTECTOR,BATTERY	3	
5	33652-17K40	CUSHION,BATTERY	1	
6	33810-17K01	WIRE,STARTER MOTOR LEAD	1	
7	33820-17K11	WIRE,BATTERY PLUS LEAD	1	
8	33624-04K00	.CAP,BATTERY PLUS TERMINAL	1	

FIG.312A

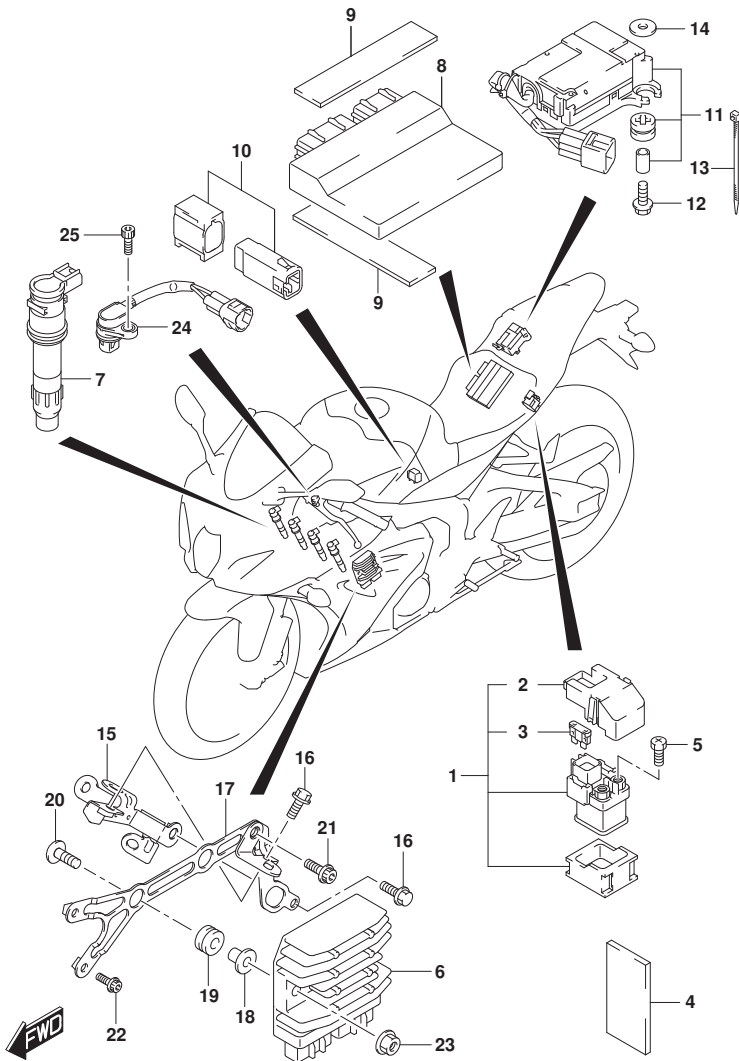


FIG.312A (1-D-4) ELECTRICAL (GSX-R1000RA,GSX-R1000RZA)

REF NO.	PART NO.	DESCRIPTION	Q'TY	REMARKS
1	31800-21E20	RELAY ASSY,STARTING MOTOR	1	
2	31861-47E00	.COVER	1	
3	09481-30101	.FUSE (30A)	2	
4	36920-08D00	PROTECTOR (30X60X3)	1	
5	09128-06013	SCREW (6X8)	2	
6	33410-17K01	COIL ASSY,IGNITION	4	
7	32800-26J02	RECTIFIER ASSY	1	
8	32920-17K93	CONTROL UNIT,FI	1	
9	33652-38A10	PROTECTOR (20X90X2)	4	
10	33960-06G10	SENSOR ASSY,FUEL CUT	1	
11	33970-47H02	ACTUATOR ASSY	1	
12	09103-06066	BOLT (6X23)	2	
13	09407-10404	CLAMP (L:100)	1	
14	08322-0106A	WASHER	2	
15	36670-17K00	BRACKET,HARNESS	1	
16	01547-0612A	BOLT	2	
17	32830-17K00	BRACKET,RECT FTG	1	
18	09180-06331	SPACER (6.2X8.4X10.9)	2	
19	09320-08501	CUSHION (8X18X10)	2	
20	02142-0635A	SCREW	2	
21	07120-0620A	BOLT	1	
22	07120-0630B	BOLT	2	
23	08316-1006A	NUT	2	
24	33220-01H01	SENSOR ASSY,CAM POSITION	1	
25	07130-0616A	BOLT	1	

FIG.312F

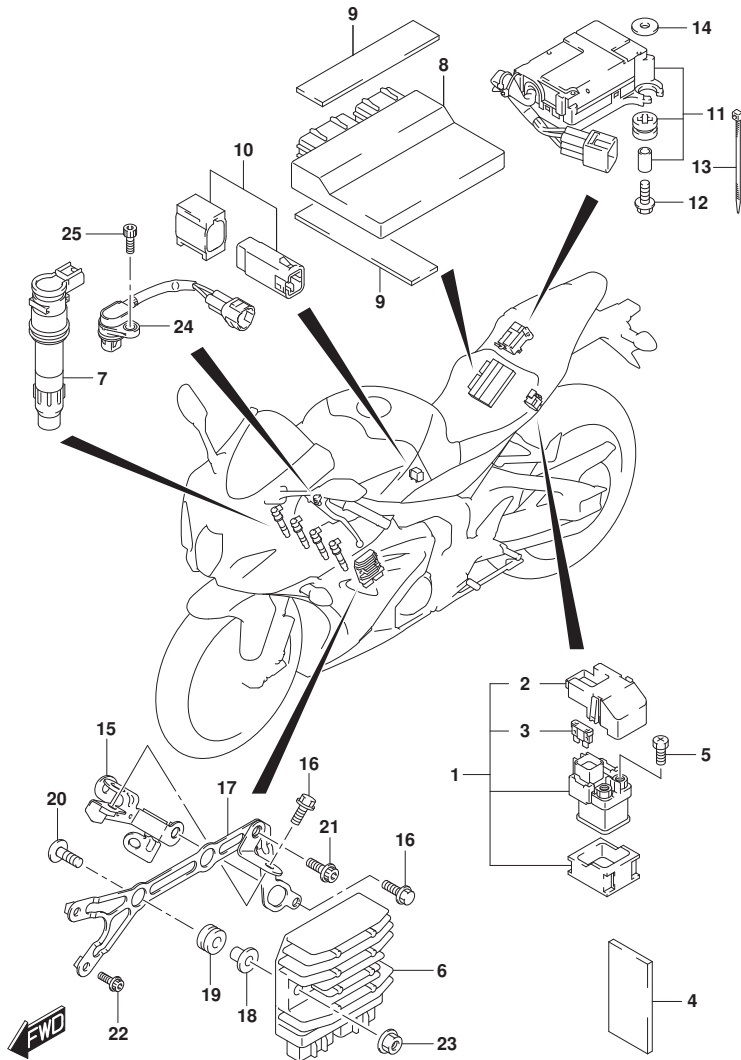


FIG.312F (1-D-5) ELECTRICAL (GSX-R1000A,GSX-R1000ZA)

REF NO.	PART NO.	DESCRIPTION	Q'TY	REMARKS
1	31800-21E20	RELAY ASSY,STARTING MOTOR	1	
2	31861-47E00	.COVER	1	
3	09481-30101	.FUSE (30A)	2	
4	36920-08D00	PROTECTOR (30X60X3)	1	
5	09128-06013	SCREW (6X8)	2	
6	33410-17K01	COIL ASSY,IGNITION	4	
7	32800-26J02	RECTIFIER ASSY	1	
8	32920-17KG2	CONTROL UNIT,FI	1	
9	33652-38A10	PROTECTOR (20X90X2)	4	
10	33960-06G10	SENSOR ASSY,FUEL CUT	1	
11	33970-47H02	ACTUATOR ASSY	1	
12	09103-06066	BOLT (6X23)	2	
13	09407-10404	CLAMP (L:100)	1	
14	08322-0106A	WASHER	2	
15	36670-17K00	BRACKET,HARNESS	1	
16	01547-0612A	BOLT	2	
17	32830-17K00	BRACKET,RECT FTG	1	
18	09180-06331	SPACER (6.2X8.4X10.9)	2	
19	09320-08501	CUSHION (8X18X10)	2	
20	02142-0635A	SCREW	2	
21	07120-0620A	BOLT	1	
22	07120-0630B	BOLT	2	
23	08316-1006A	NUT	2	
24	33220-01H01	SENSOR ASSY,CAM POSITION	1	
25	07130-0616A	BOLT	1	

FIG.330A



FIG.330A (1-D-6) SPEEDOMETER (GSX-R1000A,GSX-R1000ZA)

REF NO.	PART NO.	DESCRIPTION	Q'TY	REMARKS
1	34100-17K01	SPEEDOMETER ASSY	1	
2	34111-17K00	.CASE ASSY,LOWER	1	
3	34150-17K00	.CASE ASSY,UPPER	1	
4	34183-10C00	.SCREW	8	
5	34189-08J01	CUSHION,SPEEDOMETER	3	
6	#05643-58J00	SENSOR,AIR TEMP	1	
7	09160-04026	WASHER (4.5X16X1.2)	1	
8	03541-0416A	SCREW	1	

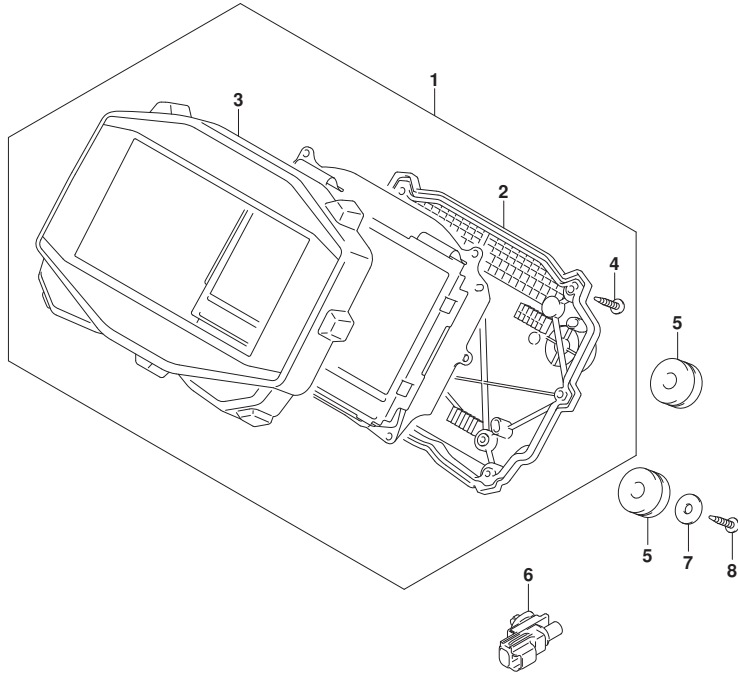


FIG.330F



FIG.330F (1-D-7) SPEEDOMETER (GSX-R1000RA,GSX-R1000RZA)

REF NO.	PART NO.	DESCRIPTION	Q'TY	REMARKS
1	34100-17KA1	SPEEDOMETER ASSY	1	
2	34111-17K00	.CASE ASSY,LOWER	1	
3	34150-17K00	.CASE ASSY,UPPER	1	
4	34183-10C00	.SCREW	8	
5	34189-08J01	CUSHION,SPEEDOMETER	3	
6	#05643-58J00	SENSOR,AIR TEMP	1	
7	09160-04026	WASHER (4.5X16X1.2)	1	
8	03541-0416A	SCREW	1	

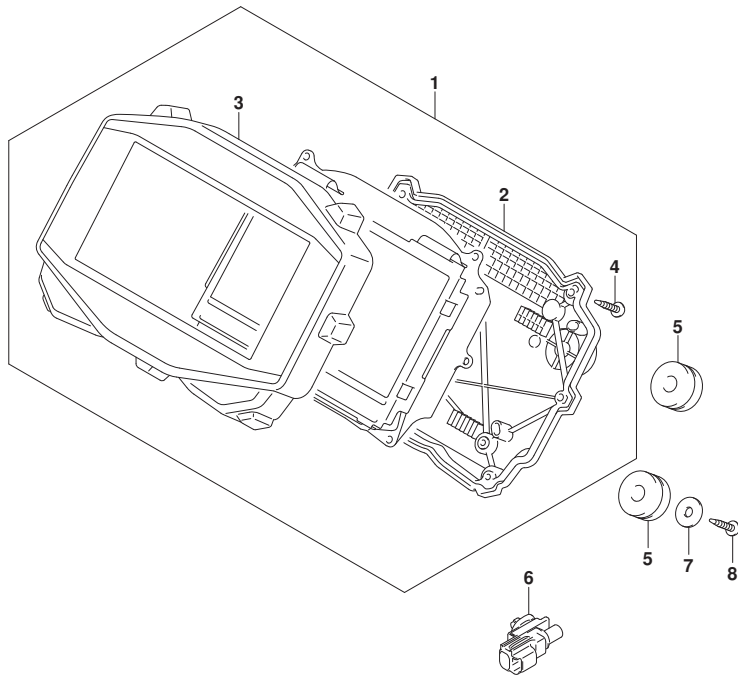


FIG.333A

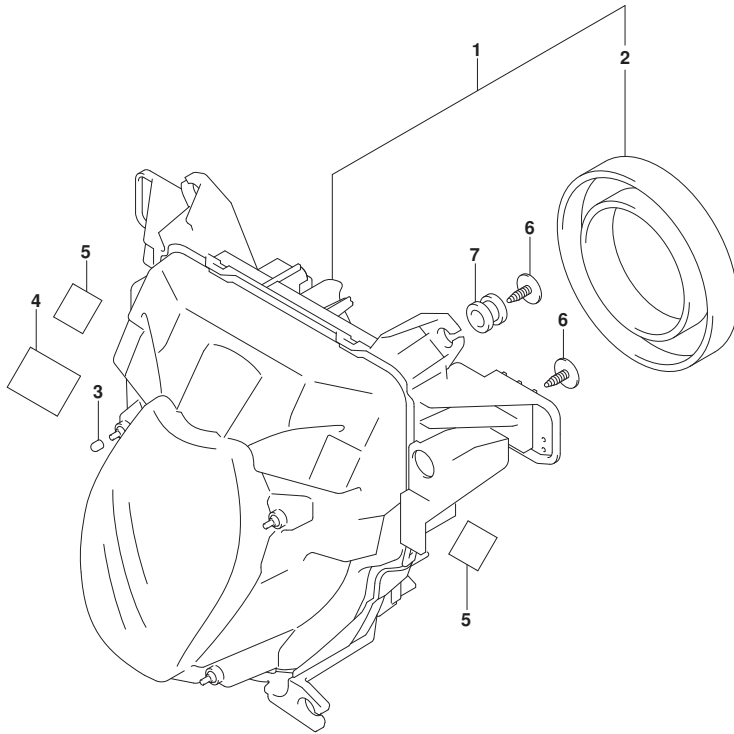


FIG.333A (1-D-8) HEADLAMP (GSX-R1000A,GSX-R1000ZA)

REF NO.	PART NO.	DESCRIPTION	Q'TY	REMARKS
1	35100-17K00	HEADLAMP ASSY	1	
2	35125-17K00	.SOCKET COVER	1	
3	44294-43H11	CUSHION,FUEL TANK COVER	4	
4	44572-02F01	FASTENER (25X33X0.8)	1	
5	44572-37H00	FASTENER,COWLING (20X15X0.8)	2	
6	09136-05062	SCREW (5X15)	6	
7	09320-09059	CUSHION	4	



FIG.333B

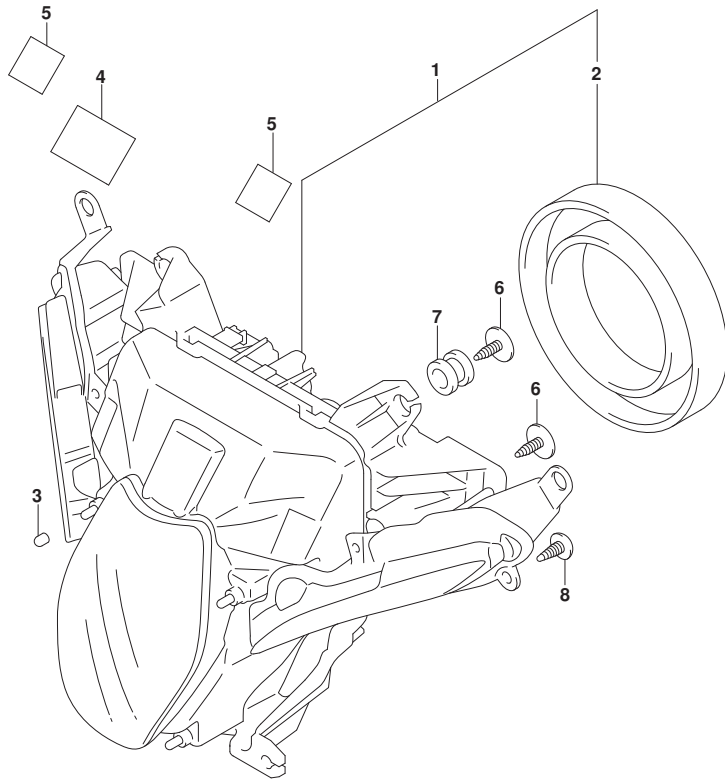


FIG.333B (1-D-9) HEADLAMP (GSX-R1000RA,GSX-R1000RZA)

REF NO.	PART NO.	DESCRIPTION	Q'TY	REMARKS
1	35100-17KA0	HEADLAMP ASSY	1	
2	35125-17K00	.SOCKET COVER	1	
3	44294-43H11	CUSHION,FUEL TANK COVER	4	
4	44572-02F01	FASTENER (25X33X0.8)	1	
5	44572-37H00	FASTENER,COWLING (20X15X0.8)	2	
6	09136-05062	SCREW (5X15)	6	
7	09320-09059	CUSHION	4	

FIG.334B

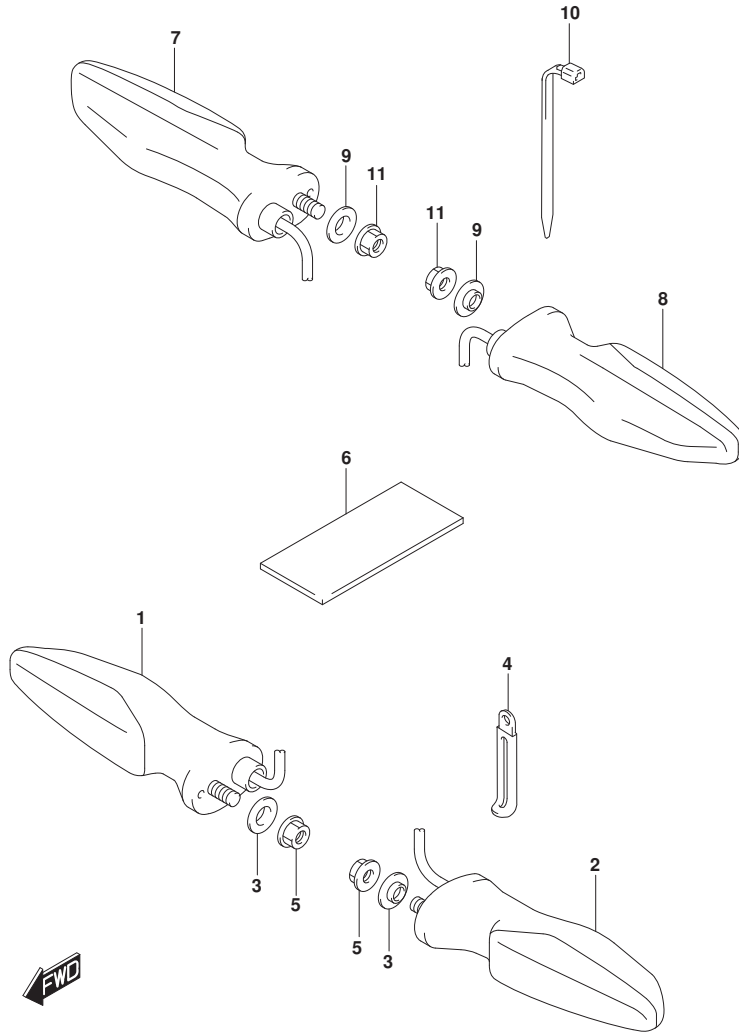


FIG.334B (1-D-10) TURNSIGNAL LAMP

REF NO.	PART NO.	DESCRIPTION	Q'TY	REMARKS
1	35601-17KA1	LAMP ASSY,FRONT TURNSIGNAL RH	1	
2	35602-17KA1	LAMP ASSY,FRONT TURNSIGNAL LH	1	
3	09169-06076	WASHER	2	
4	09404-06429	CLAMP (L:45)	1	
5	08316-1006A	NUT	2	
6	33652-17K10	CUSHION (45X100X3)	1	
7	35603-17KA1	LAMP ASSY,REAR TURNSIGNAL RH	1	
8	35604-17KA1	LAMP ASSY,REAR TURNSIGNAL LH	1	
9	09169-06076	WASHER	2	
10	09407-14403	CLAMP (L:125)	1	
11	08316-1006A	NUT	2	

FIG.339A

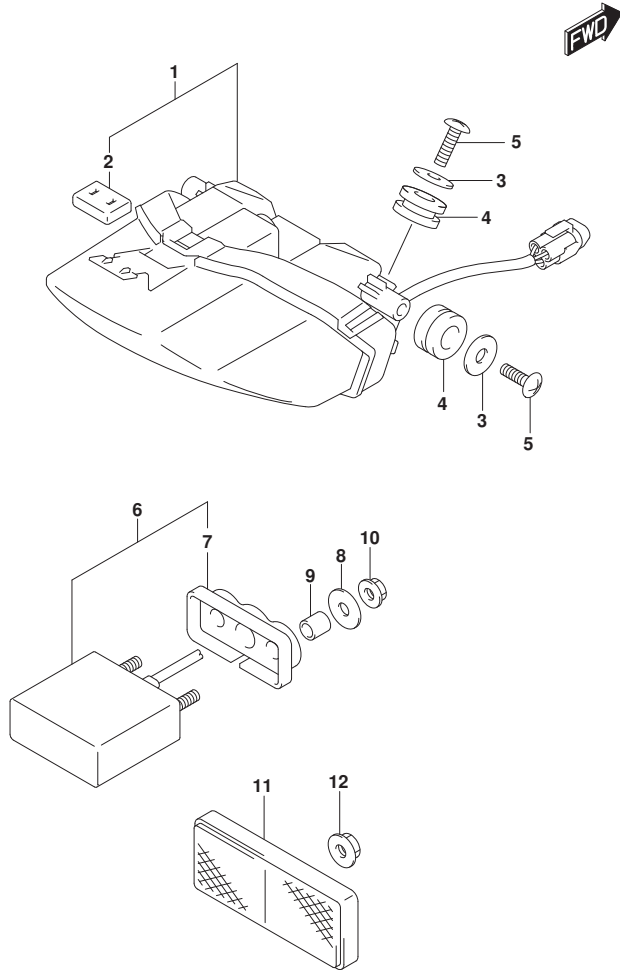


FIG.339A (1-D-11) REAR COMBINATION LAMP

REF NO.	PART NO.	DESCRIPTION	Q'TY	REMARKS
1	35710-17K00	LAMP ASSY,REAR COMB	1	
2	35781-17K00	.CUSHION	1	
3	09160-05045	WASHER (5.5X18X1.0)	3	
4	09320-10073	CUSHION,REAR COMB LAMP	3	
5	03541-0516A	SCREW	3	
6	35910-17K00	LAMP ASSY,LICENSE	1	
7	35913-17K00	.RUBBER	1	
8	09160-05045	WASHER (5.5X18X1.0)	2	
9	09180-06263	SPACER (6.5X9X9)	2	
10	08316-1005A	NUT	2	
11	35970-07F01	REFLECTOR ASSY,REAR	1	
12	08316-1005A	NUT	1	

FIG.350A

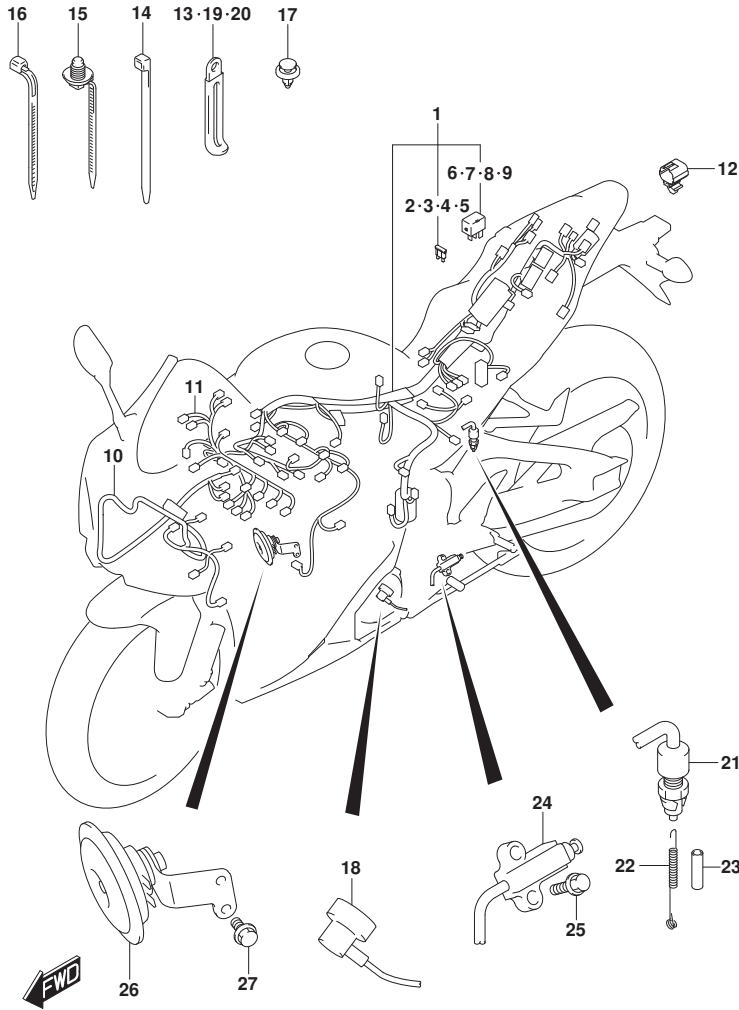


FIG.350A (1-D-12) WIRING HARNESS (GSX-R1000RA,GSX-R1000ZA)

REF NO.	PART NO.	DESCRIPTION	Q'TY	REMARKS
1	36610-17KC0	HARNESS,WIRING NO.1	1	
2	09481-07504	.FUSE (7.5A)	2	
3	09481-10504	.FUSE (10A)	5	
4	09481-15504	.FUSE (15A)	2	
5	09481-30504	.FUSE (30A)	1	
6	38860-76F01	.RELAY ASSY	1	FUEL PUMP
7	38860-76F01	.RELAY ASSY	1	FAN MOTOR
8	38860-76F01	.RELAY ASSY	1	SIDE STAND
9	38860-76F01	.RELAY ASSY	1	HEADLAMP
10	36620-17K40	HARNESS,WIRING NO.2	1	
11	36630-17K11	HARNESS,WIRING NO.3	1	
12	36654-06J31	CAP,TS	1	
13	09404-06429	CLAMP (L:45)	1	
14	09407-14407	CLAMP (L:145)	3	
15	09407-17403	CLAMP (L:154)	1	
16	09407-14403	CLAMP (L:125)	2	
17	09409-06328	CLIP	1	
18	36851-17K00	WIRE,OIL PRESSURE SWITCH LEAD	1	
19	09404-06429	CLAMP (L:45)	1	
20	09404-06030	CLAMP (L:80)	1	
21	37740-17K00	SWITCH ASSY,STOP LAMP	1	
22	43232-17K00	SPRING	1	
23	09352-50005-060	TUBE,BRAKE LAMP SW SPRING (5X8 .2X60)	1	
24	37840-35F01	SWITCH ASSY,SIDE STAND	1	
25	01550-0620A	BOLT	2	
26	38500-17K00	HORN ASSY	1	
27	01550-0612A	BOLT	2	

FIG.350B

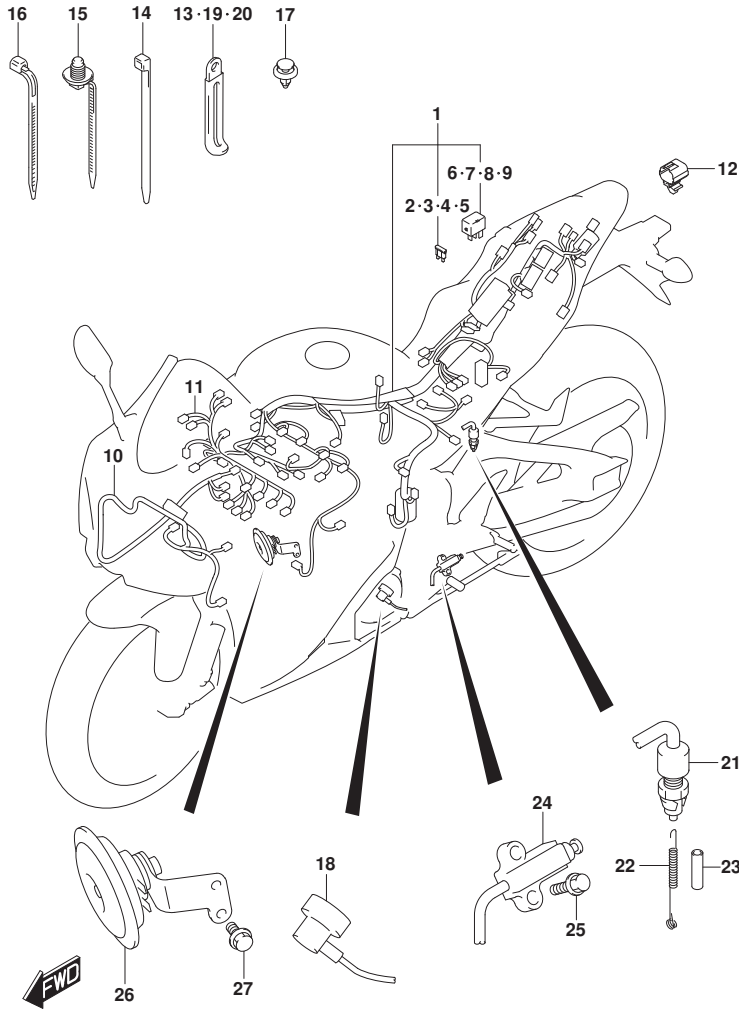


FIG.350B (1-D-13) WIRING HARNESS (GSX-R1000A,GSX-R1000ZA)

REF NO.	PART NO.	DESCRIPTION	Q'TY	REMARKS
1	36610-17KC0	HARNESS,WIRING NO.1	1	
2	09481-07504	.FUSE (7.5A)	2	
3	09481-10504	.FUSE (10A)	5	
4	09481-15504	.FUSE (15A)	2	
5	09481-30504	.FUSE (30A)	1	
6	38860-76F01	.RELAY ASSY	1	FUEL PUMP
7	38860-76F01	.RELAY ASSY	1	FAN MOTOR
8	38860-76F01	.RELAY ASSY	1	SIDE STAND
9	38860-76F01	.RELAY ASSY	1	HEADLAMP
10	36620-17K50	HARNESS,WIRING NO.2	1	
11	36630-17K11	HARNESS,WIRING NO.3	1	
12	36654-06J31	CAP,TS	1	
13	09404-06429	CLAMP (L:45)	1	
14	09407-14407	CLAMP (L:145)	3	
15	09407-17403	CLAMP (L:154)	1	
16	09407-14403	CLAMP (L:125)	2	
17	09409-06328	CLIP	1	
18	36851-17K00	WIRE,OIL PRESSURE SWITCH LEAD	1	
19	09404-06429	CLAMP (L:45)	1	
20	09404-06030	CLAMP (L:80)	1	
21	37740-17K00	SWITCH ASSY,STOP LAMP	1	
22	43232-17K00	SPRING	1	
23	09352-50005-060	TUBE,BRAKE LAMP SW SPRING (5X8 .2X60)	1	
24	37840-35F01	SWITCH ASSY,SIDE STAND	1	
25	01550-0620A	BOLT	2	
26	38500-17K00	HORN ASSY	1	
27	01550-0612A	BOLT	2	

FIG.352A

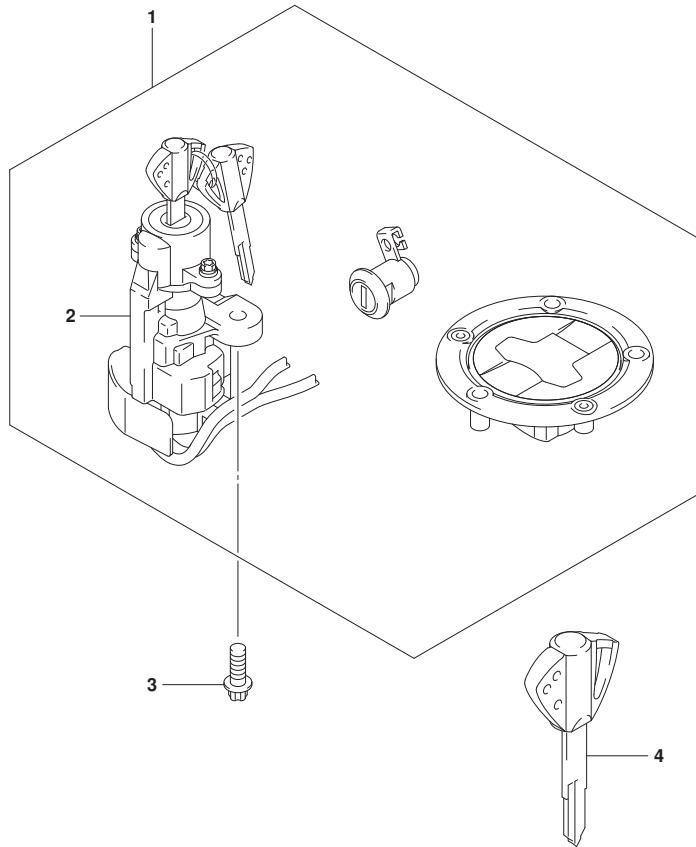


FIG.352A (1-D-14) LOCK SET

REF NO.	PART NO.	DESCRIPTION	Q'TY	REMARKS
1	37101-17881	LOCK SET	1	
2	37100-17KA1	.LOCK ASSY,STEERING	1	
3	37152-17K00	BOLT,STEERING LOCK (8X20)	2	
4	37146-41G00	KEY,BLANK (IMMOBI)	1	OPT

FIG.355A

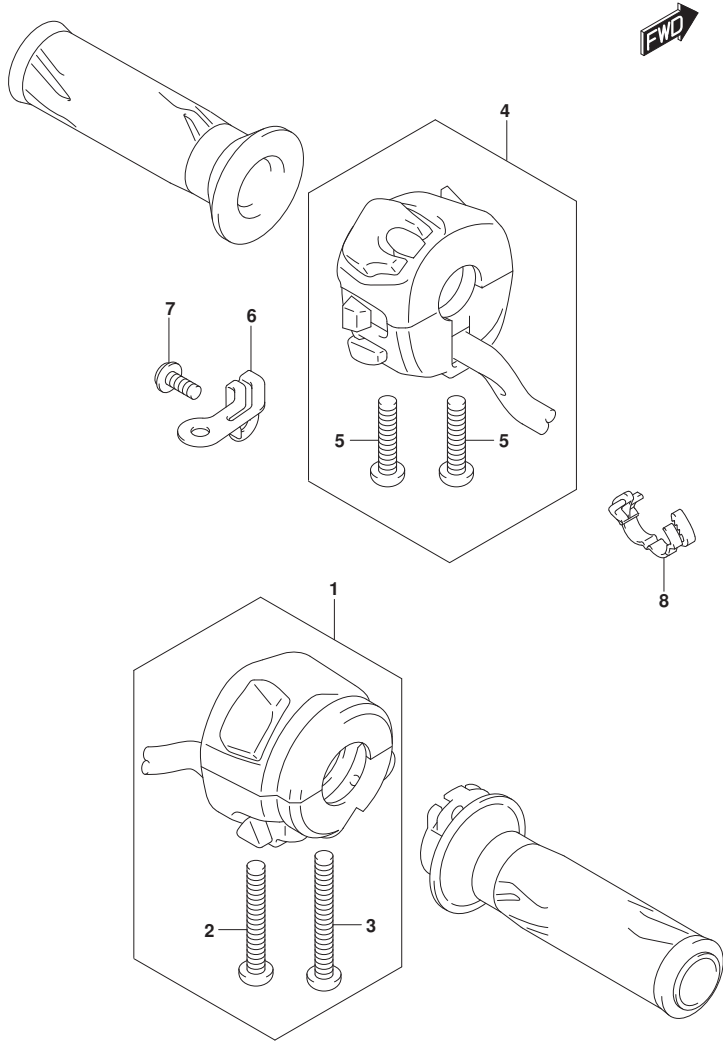


FIG.355A (1-D-15) HANDLE SWITCH

REF NO.	PART NO.	DESCRIPTION	Q'TY	REMARKS
1	37200-17KA0	SWITCH ASSY,HANDLE RH	1	
2	02112-0535B	.SCREW	1	
3	02112-0540B	.SCREW	1	
4	37400-17K01	SWITCH ASSY,HANDLE LH	1	
5	02112-0525B	.SCREW	2	
6	36617-17K00	BRACKET,LEAD WIRE	1	
7	09139-06214	SCREW (6X16)	1	
8	09408-00184	CLAMP	1	

FIG.401A

FIG.401A (1-D-16) FRAME (GSX-R1000A,GSX-R1000ZA)

REF NO.	PART NO.	DESCRIPTION	Q'TY	REMARKS
1	41100-17K10	FRAME	1	
2	41200-17K10	RAIL,SEAT	1	
3	41233-18G30	BOLT,SEAT RAIL	4	
4	09409-05303	CLIP	4	
5	41921-47H00	BOLT,CRANK CASE ADJUST	2	
6	41922-47H00	NUT,CRANK CASE ADJUST BOLT	2	

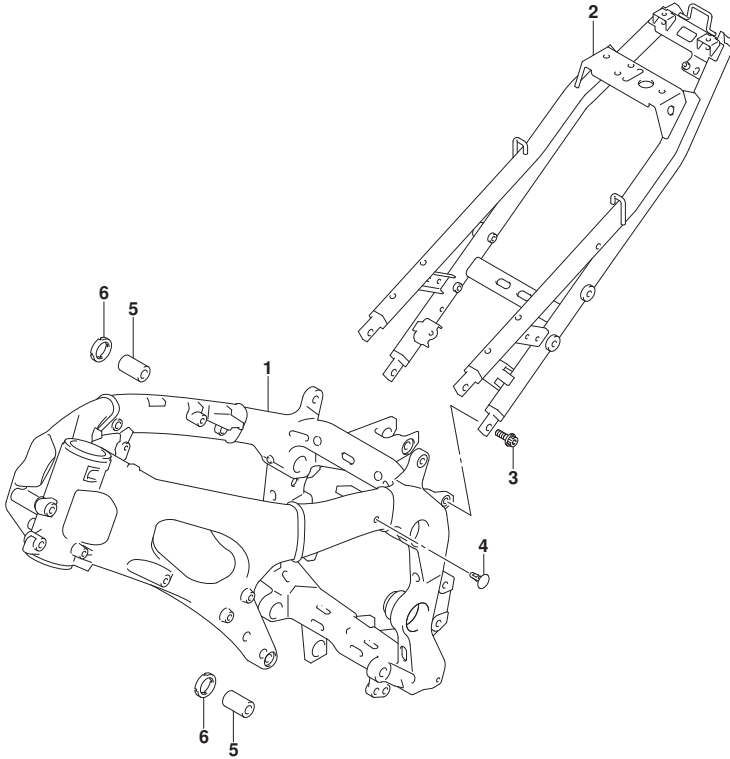


FIG.401B

FIG.401B (1-E-2) FRAME (GSX-R1000RA,GSX-R1000RZA)

REF NO.	PART NO.	DESCRIPTION	Q'TY	REMARKS
1	41100-17K20	FRAME	1	
2	41200-17K10	RAIL,SEAT	1	
3	41233-18G30	BOLT,SEAT RAIL	4	
4	09409-05303	CLIP	4	
5	41921-47H00	BOLT,CRANK CASE ADJUST	2	
6	41922-47H00	NUT,CRANK CASE ADJUST BOLT	2	

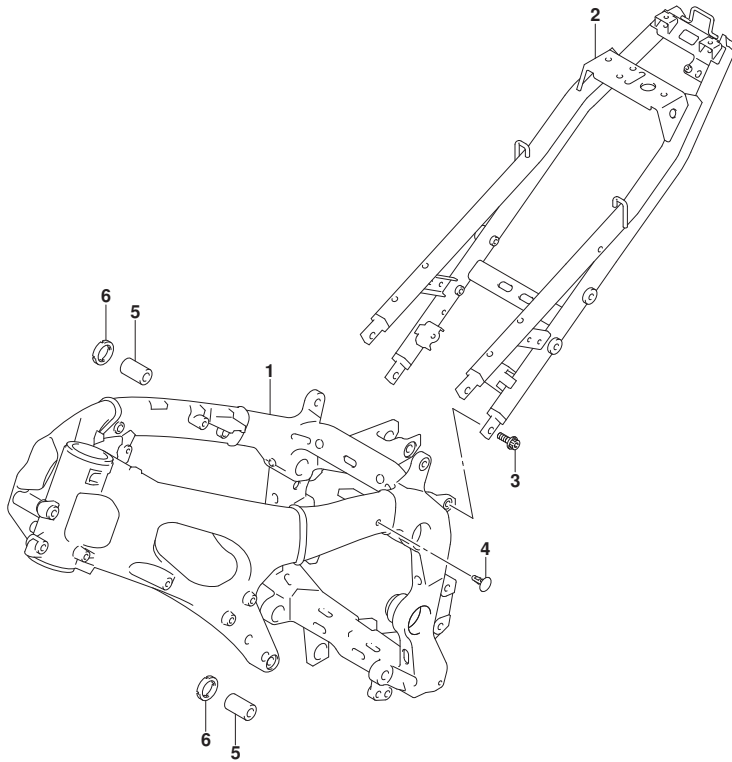


FIG.407A

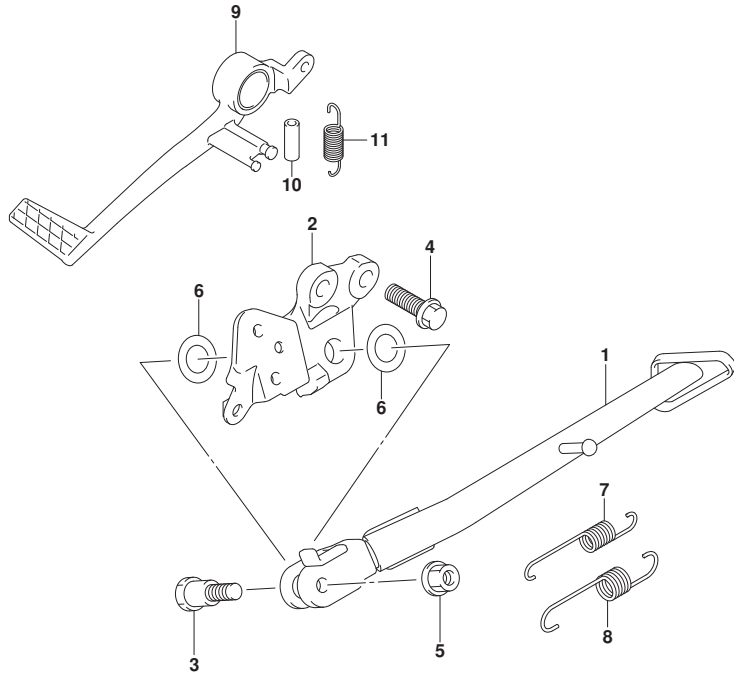


FIG.407A (1-E-3) STAND

REF NO.	PART NO.	DESCRIPTION	Q'TY	REMARKS
1	42310-17K00	STAND,PROP	1	
2	42330-17K10	BRACKET,PROP STAND	1	
3	42411-47H00	BOLT,PROP STAND	1	
4	09103-10366	BOLT (10X30)	2	
5	09159-10103	NUT	1	
6	09181-16214	SHIM (16X28X0.5)	2	
7	09443-14070	SPRING	1	
8	09443-19016	SPRING	1	
9	43110-47H10	PEDAL,BRAKE	1	
10	09352-11154-022	TUBE,BRAKE PEDAL SPRING (11X15 X22)	1	
11	09443-11033	SPRING	1	

FIG.415A

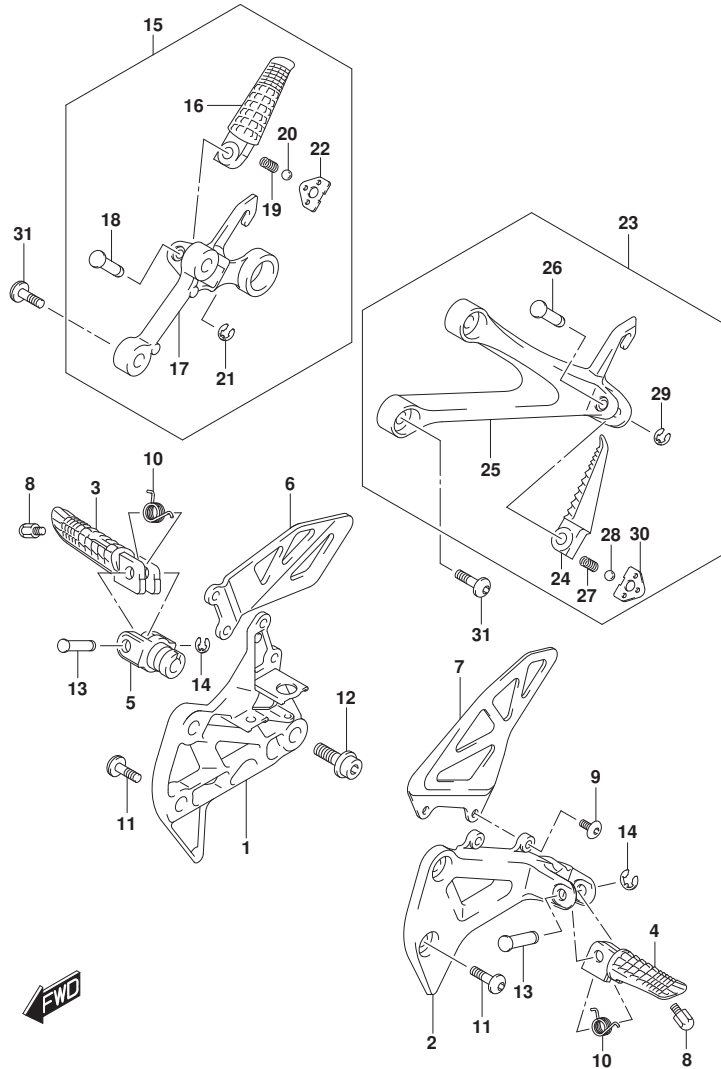


FIG.415A (1-E-4) FOOTREST

REF NO.	PART NO.	DESCRIPTION	Q'TY	REMARKS
1	43511-17K00	BRACKET,FR FOOTREST RH	1	
2	43521-17K00	BRACKET,FR FOOTREST LH	1	
3	43516-37H10	BAR, FOOTREST RH	1	
4	43526-37H10	BAR, FOOTREST LH	1	
5	43531-41G20	HOLDER, FOOTREST	1	
6	43571-17K00	GUARD,FR FOOTREST RH	1	
7	43576-17K00	GUARD,FR FOOTREST LH	1	
8	43576-48B40	BOLT,BANK SENSOR	2	
9	43577-35F20	SCREW,FOOTREST GUARD LH	2	
10	43581-47H00	SPRING,FRONT FOOTREST	2	
11	09106-08200	BOLT,FR FOOTREST BRKT (8X23)	4	
12	09106-10064	BOLT (10X28)	1	
13	09208-08018	PIN	2	
14	08332-1106A	E-RING	2	
15	43600-17K00	FOOTREST ASSY,PILLION RH	1	
16	43611-37H30	.BAR, PILLION FOOTREST RH	1	
17	43811-17K00	.BRACKET,PILLION FOOTREST RH	1	
18	09208-08020	.PIN	1	
19	09440-05005	.SPRING	1	
20	06111-07004	.BALL	1	
21	08332-1106A	E-RING	1	
22	43816-01H20	.PLATE,PILLION FOOTREST RH	1	
23	43700-17K00	FOOTREST ASSY,PILLION LH	1	
24	43621-37H30	.BAR, PILLION FOOTREST LH	1	
25	43821-17K00	.BRACKET,PILLION FOOTREST LH	1	
26	09208-08020	.PIN	1	
27	09440-05005	.SPRING	1	
28	06111-07004	.BALL	1	
29	08332-1106A	E-RING	1	
30	43816-01H20	.PLATE,PILLION FOOTREST RH	1	
31	09106-08200	BOLT,FR FOOTREST BRKT (8X23)	4	

FIG.420B

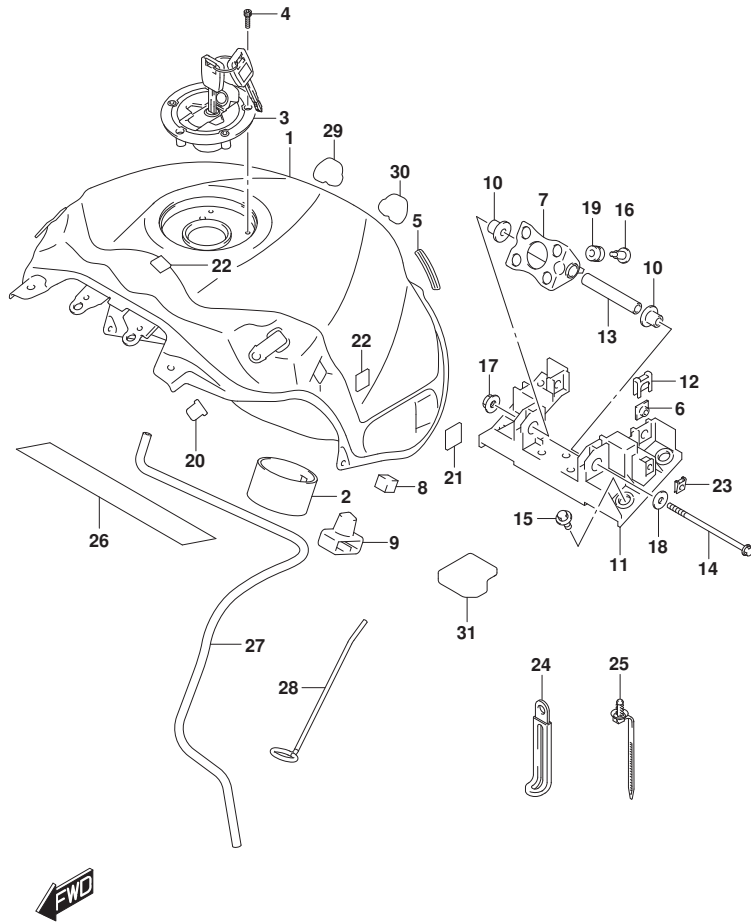


FIG.420B (1-E-5) FUEL TANK (GSX-R1000A,GSX-R1000RA)

REF NO.	PART NO.	DESCRIPTION	Q'TY	REMARKS
1	44100-17K10-YKV	TANK ASSY,FUEL (BLACK)	1	
2	44121-17K01	VESSEL,FUEL TANK INNER	1	
3	44200-17840	CAP SET,FUEL TANK FILLER	1	
4	44244-11J00	BOLT,FUEL TANK FILLER CAP	3	
5	44552-24B10	MOLDING,FUEL TANK REAR	2	
6	44523-47H00	NUT (M6)	2	
7	44530-17K00	BRACKET,FUEL TANK NO.1	1	
8	44541-17K00	CUSHION,FUEL TANK SIDE	2	
9	44542-17K00	CUSHION,FUEL TANK REAR	2	
10	44544-17K00	SPACER,FUEL TANK REAR BRKT	2	
11	44551-17K00	BRACKET,FUEL TANK REAR	1	
12	44552-17K00	CLIP,NUT	2	
13	44561-18G00	SPACER,FUEL TANK REAR	1	
14	09103-06031	BOLT (6X125)	1	
15	09111-06081	BOLT (6X18)	4	
16	09139-06191	SCREW (6X22)	4	
17	09159-06086	NUT (M6)	1	
18	09160-06012	WASHER (6.5X22X1.6)	1	
19	09320-08071	CUSHION (8X18X14)	4	
20	44543-17K00	CUSHION,FUEL TANK COVER	2	
21	44572-13G00	FASTENER,FUEL TANK (33X25X3.0)	2	
22	44572-44G00	FASTENER	4	
23	09148-05052	NUT (M5)	2	
24	09404-06030	CLAMP (L:80)	1	
25	09407-17403	CLAMP (L:154)	1	
26	44283-17K00	PROTECTOR,FUEL TANK	1	
27	44423-17K02	HOSE,FUEL TANK WATER DRAIN	1	
28	44574-17K00	STAY,FUEL TANK	1	OPT
29	44285-17K00	PROTECTOR,FUEL TANK NO.2 RH	1	
30	44286-17K00	PROTECTOR,FUEL TANK NO.2 LH	1	
31	44284-17K00	PROTECTOR,FUEL TANK	1	

FIG.420D

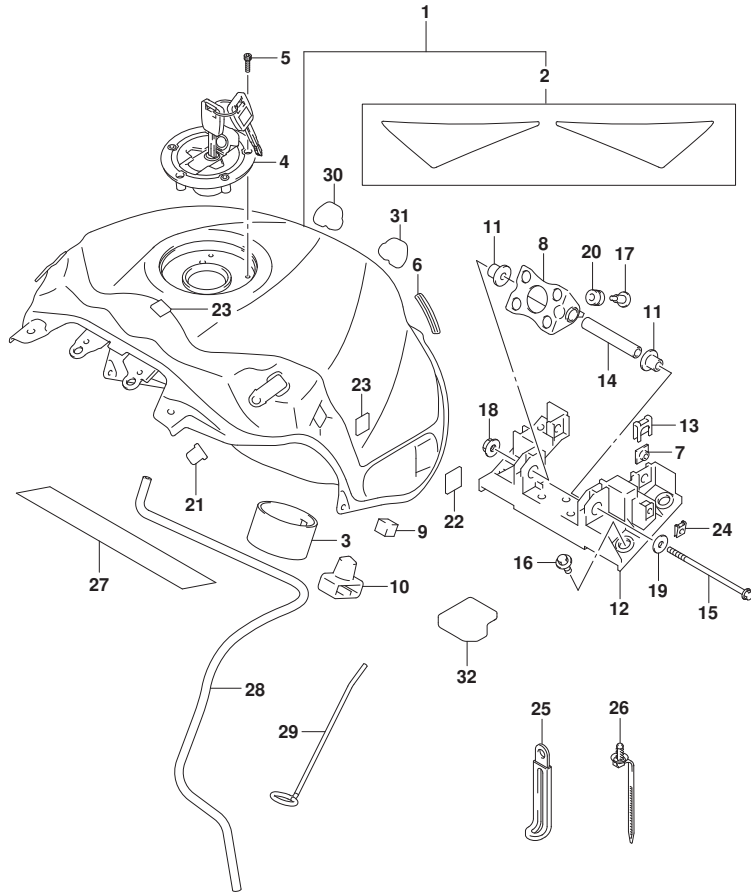


FIG.420D (1-E-6) FUEL TANK (GSX-R1000ZA,GSX-R1000RZA)

REF NO.	PART NO.	DESCRIPTION	Q'TY	REMARKS
1	44100-17K40-YSF	TANK ASSY,FUEL (BLUE)	1	
2	68110-17K20-YMD	.TAPE SET,FUEL TANK (SILVER)	1	
3	44121-17K01	VESSEL,FUEL TANK INNER	1	
4	44200-17840	CAP SET,FUEL TANK FILLER	1	
5	44244-11J00	BOLT,FUEL TANK FILLER CAP	3	
6	44552-24B10	MOLDING,FUEL TANK REAR	2	
7	44523-47H00	NUT (M6)	2	
8	44530-17K00	BRACKET,FUEL TANK NO.1	1	
9	44541-17K00	CUSHION,FUEL TANK SIDE	2	
10	44542-17K00	CUSHION,FUEL TANK REAR	2	
11	44544-17K00	SPACER,FUEL TANK REAR BRKT	2	
12	44551-17K00	BRACKET,FUEL TANK REAR	1	
13	44552-17K00	CLIP,NUT	2	
14	44561-18G00	SPACER,FUEL TANK REAR	1	
15	09103-06031	BOLT (6X125)	1	
16	09111-06081	BOLT (6X18)	4	
17	09139-06191	SCREW (6X22)	4	
18	09159-06086	NUT (M6)	1	
19	09160-06012	WASHER (6.5X22X1.6)	1	
20	09320-08071	CUSHION (8X18X14)	4	
21	44543-17K00	CUSHION,FUEL TANK COVER	2	
22	44572-13G00	FASTENER,FUEL TANK (33X25X3.0)	2	
23	44572-44G00	FASTENER	4	
24	09148-05052	NUT (M5)	2	
25	09404-06030	CLAMP (L:80)	1	
26	09407-17403	CLAMP (L:154)	1	
27	44283-17K00	PROTECTOR,FUEL TANK	1	
28	44423-17K02	HOSE,FUEL TANK WATER DRAIN	1	
29	44574-17K00	STAY,FUEL TANK	1	OPT
30	44285-17K00	PROTECTOR,FUEL TANK NO.2 RH	1	
31	44286-17K00	PROTECTOR,FUEL TANK NO.2 LH	1	
32	44284-17K00	PROTECTOR,FUEL TANK	1	

FIG.422A

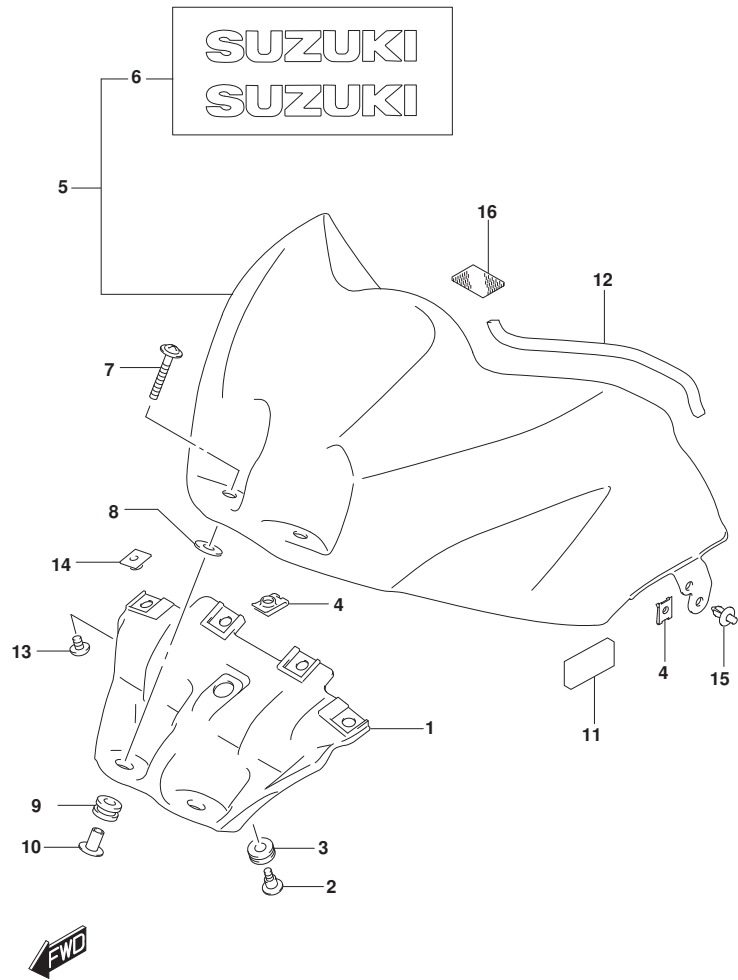


FIG.422A (1-E-7) FUEL TANK FRONT COVER (GSX-R1000A)

REF NO.	PART NO.	DESCRIPTION	Q'TY	REMARKS
1	44521-17K00	BRACKET,FUEL TANK FRONT	1	
2	09139-05078	SCREW (5X16.4)	1	
3	09320-08510	CUSHION (8.5X20X8)	1	
4	09148-05052	NUT (M5)	3	
5	44290-17KD0-YKV	COVER,FUEL TANK FR (BLACK)	1	
6	68271-04A10-019	.EMBLEM,"SUZUKI" (BLACK)	2	
7	09139-06210	SCREW,FUEL TANK FRONT	2	
8	09160-06012	WASHER (6.5X22X1.6)	2	
9	09320-10050	CUSHION (10X22X13)	2	
10	44512-17K00	SPACER,FUEL TANK FRONT	2	
11	33652-21G00	CUSHION (10X20X5)	2	
12	44277-17K00	CUSHION,FUEL TANK COVER	2	
13	09139-06181	SCREW (6X10)	4	
14	44523-47H00	NUT (M6)	4	
15	09409-06314	CLIP (5.9X20.5)	2	
16	44572-44G00	FASTENER	4	

FIG.422B

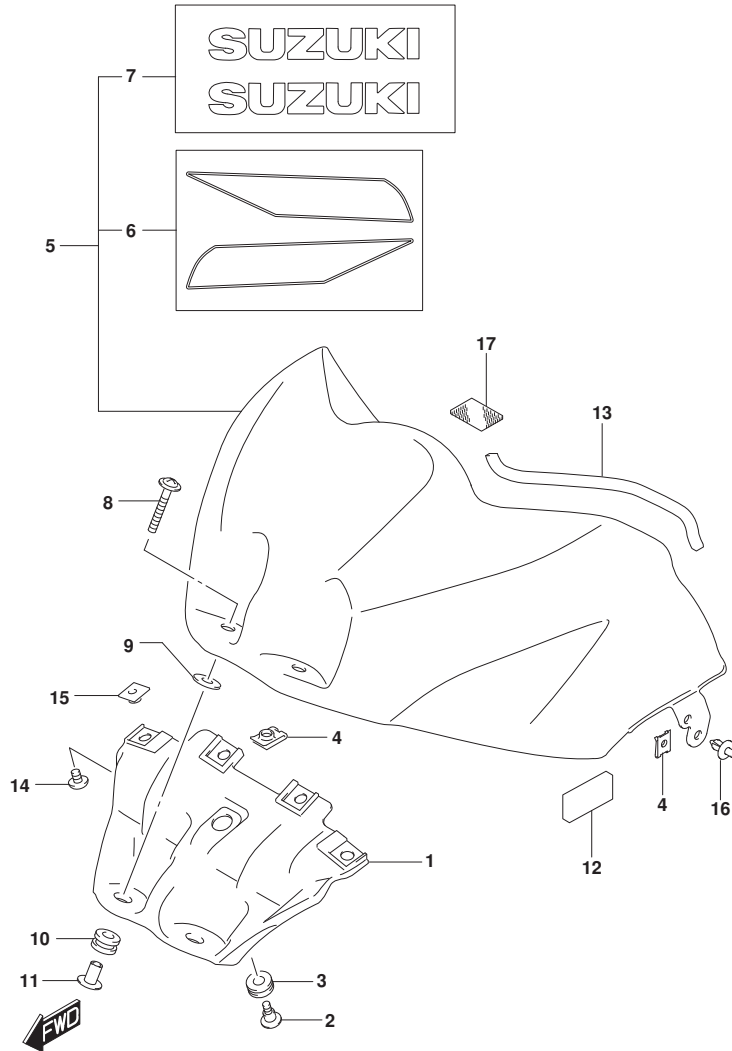


FIG.422B (1-E-8) FUEL TANK FRONT COVER (GSX-R1000RA)

REF NO.	PART NO.	DESCRIPTION	Q'TY	REMARKS
1	44521-17K00	BRACKET,FUEL TANK FRONT	1	
2	09139-05078	SCREW (5X16.4)	1	
3	09320-08510	CUSHION (8.5X20X8)	1	
4	09148-05052	NUT (M5)	3	
5-1	44290-17KE0-YKV	COVER,FUEL TANK (BLACK)	1	BODY COLOR:YKV
5-2	44290-17KE0-4TX	COVER,FUEL TANK (BLACK)	1	BODY COLOR:4TX
6-1	68120-17K30-CRU	.TAPE SET,FUEL TANK COVER (BLA CK)	1	BODY COLOR:YKV
6-2	68120-17K30-B9E	.TAPE SET,FUEL TANK COVER	2	BODY COLOR:4TX
7-1	68271-04A10-019	.EMBLEM,"SUZUKI" (BLACK)	1	BODY COLOR:YKV
7-2	68271-04A10-YES	.EMBLEM,"SUZUKI" (SILVER)	2	BODY COLOR:4TX
8	09139-06210	SCREW,FUEL TANK FRONT	2	
9	09160-06012	WASHER (6.5X22X1.6)	2	
10	09320-10050	CUSHION (10X22X13)	2	
11	44512-17K00	SPACER,FUEL TANK FRONT	2	
12	33652-21G00	CUSHION (10X20X5)	2	
13	44277-17K00	CUSHION,FUEL TANK COVER	2	
14	09139-06181	SCREW (6X10)	4	
15	44523-47H00	NUT (M6)	4	
16	09409-06314	CLIP (5.9X20.5)	2	
17	44572-44G00	FASTENER	4	

FIG.422C

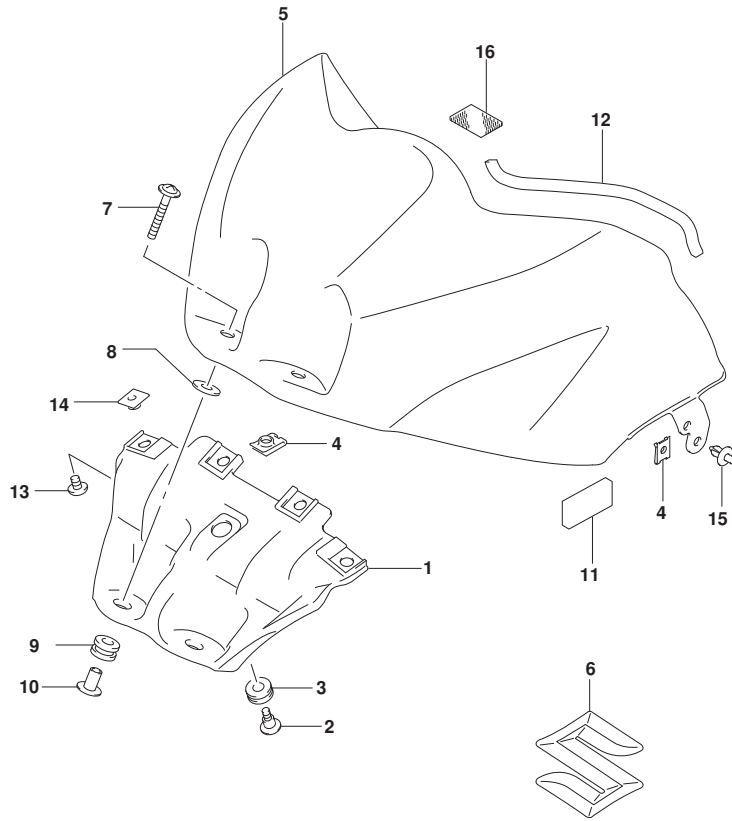


FIG.422C (1-E-9) FUEL TANK FRONT COVER (GSX-R1000ZA,GSX-R1000RZA)

REF NO.	PART NO.	DESCRIPTION	Q'TY	REMARKS
1	44521-17K00	BRACKET,FUEL TANK FRONT	1	
2	09139-05078	SCREW (5X16.4)	1	
3	09320-08510	CUSHION (8.5X20X8)	1	
4	09148-05052	NUT (M5)	3	
5	44291-17K01-YSF	COVER,FUEL TANK FRONT (BLUE)	1	
6	68111-47HB0	EMBLEM,S	2	
7	09139-06210	SCREW,FUEL TANK FRONT	2	
8	09160-06012	WASHER (6.5X22X1.6)	2	
9	09320-10050	CUSHION (10X22X13)	2	
10	44512-17K00	SPACER,FUEL TANK FRONT	2	
11	33652-21G00	CUSHION (10X20X5)	2	
12	44277-17K00	CUSHION,FUEL TANK COVER	2	
13	09139-06181	SCREW (6X10)	4	
14	44523-47H00	NUT (M6)	4	
15	09409-06314	CLIP (5.9X20.5)	2	
16	44572-44G00	FASTENER	4	

FIG.427A

FIG.427A (1-E-10) EVAP SYSTEM

REF NO.	PART NO.	DESCRIPTION	Q'TY	REMARKS
1	18560-04K01	CANISTER ASSY,CHARCOAL	1	
2	18571-17K00	BRACKET,CANISTER	1	
3	01550-0616A	BOLT	2	
4	18572-17K00	CUSHION,CANISTER	1	
5	18117-52G10	VALVE,CANISTER PURGE	1	
6	18573-17K00	BRACKET,PURGE VALVE	1	
7	08316-1006A	NUT	1	
8	18561-17K00	HOSE,SURGE	1	
9	18562-17K00	HOSE,PURGE NO.1	1	
10	18563-17K00	HOSE,PURGE NO.2	1	
11	09401-10201-XC0	CLIP	1	
12	09401-10409	CLIP (ID:10.5)	4	
13	09401-11413	CLIP (ID:11)	1	

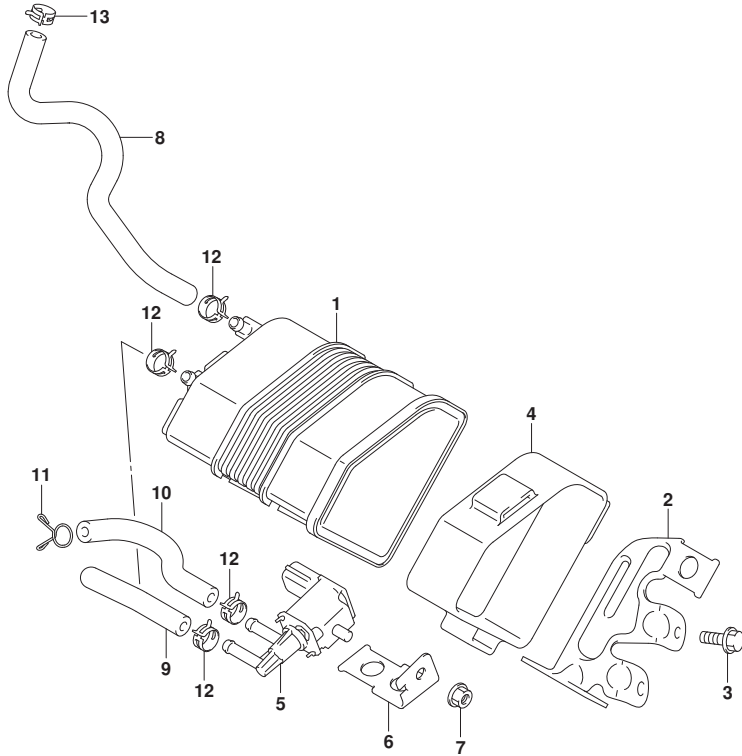


FIG.445A

FIG.445A (1-E-11) FRAME COVER (GSX-R1000A)

REF NO.	PART NO.	DESCRIPTION	Q'TY	REMARKS
1	47110-17K60-YKV	COVER,FRAME RH (BLACK)	1	
2	33652-17K10	.CUSHION (45X100X3)	1	
3	47211-17K00-YKV	COVER,FRAME LH (BLACK)	1	
4	47311-17K00	COVER,FRAME CENTER FRONT	1	
5	47411-17K00-YKV	COVER,FRAME CTR RR (BLACK)	1	
6	44173-14J00	CUSHION,FUEL TANK COVER SIDE	4	
7	47312-37H10	CUSHION (10X24X13)	2	
8	94478-14J00	CUSHION,UNDER COWL RH	2	
9	09139-06139	SCREW (6X16)	2	
10	09139-05092	SCREW (5X13)	4	
11	09148-05052	NUT (M5)	2	
12	09180-06283	SPACER (6.5X10X7)	2	
13	09250-06017	PLUG,RR FENDER	2	
14	09409-06328	CLIP	6	
15	03541-0516A	SCREW	2	

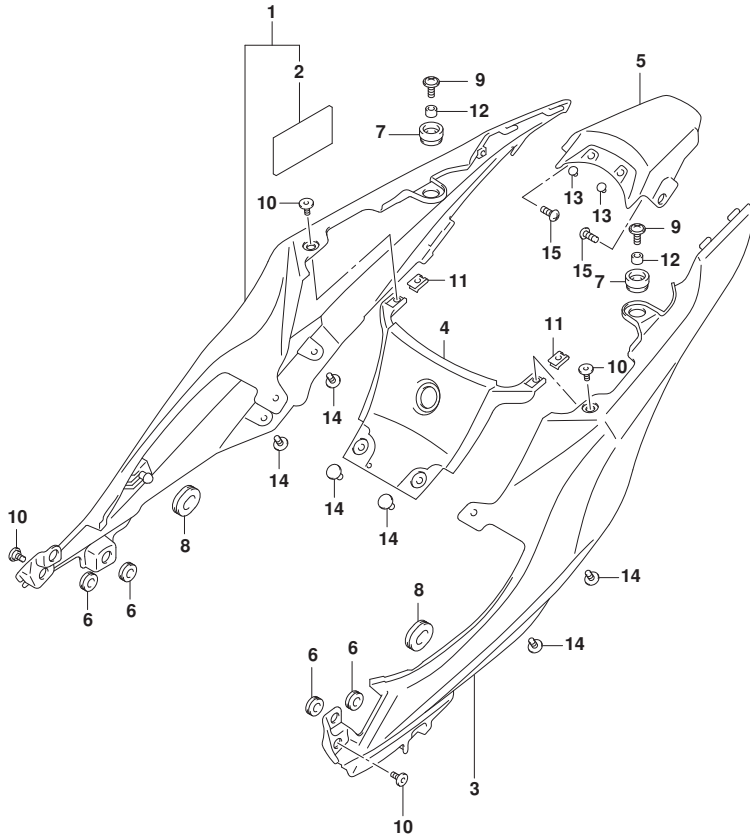


FIG.445B

FIG.445B (1-E-12) FRAME COVER (GSX-R1000RA)

REF NO.	PART NO.	DESCRIPTION	QTY	REMARKS
1-1	47110-17KB0-YKV	COVER,FRAME RH(BLACK)	1	BODY COLOR:YKV
1-2	47110-17KB0-4TX	COVER,FRAME RH(BLACK)	1	BODY COLOR:4TX
2	33652-17K10	.CUSHION (45X100X3)	1	
3-1	68131-17K00-CRU	.EMBLEM,FRAME COVER (BLACK)	1	BODY COLOR:YKV
3-2	68131-17K00-B9Q	.EMBLEM,FRAME COVER	1	BODY COLOR:4TX
4-1	68135-17K70-CRU	.TAPE,FRAME COVER RH(BLACK)	1	BODY COLOR:YKV
4-2	68135-17K70-B9N	.TAPE,FRAME COVER RH	1	BODY COLOR:4TX
5-1	47210-17KB0-YKV	COVER,FRAME LH(BLACK)	1	BODY COLOR:YKV
5-2	47210-17KB0-4TX	COVER,FRAME LH(BLACK)	1	BODY COLOR:4TX
6-1	68131-17K00-CRU	.EMBLEM,FRAME COVER (BLACK)	1	BODY COLOR:YKV
6-2	68131-17K00-B9Q	.EMBLEM,FRAME COVER	1	BODY COLOR:4TX
7-1	68145-17K70-CRU	.TAPE,FRAME COVER LH(BLACK)	1	BODY COLOR:YKV
7-2	68145-17K70-B9N	.TAPE,FRAME COVER LH	1	BODY COLOR:4TX
8	47311-17K00	COVER,FRAME CENTER FRONT	1	
9	47411-17K00-YKV	COVER,FRAME CTR RR (BLACK)	1	
10	44173-14J00	CUSHION,FUEL TANK COVER SIDE	4	
11	47312-37H10	CUSHION (10X24X13)	2	
12	94478-14J00	CUSHION,UNDER COWL RH	2	
13	09139-06139	SCREW (6X16)	2	
14	09139-05092	SCREW (5X13)	4	
15	09148-05052	NUT (M5)	2	
16	09180-06283	SPACER (6.5X10X7)	2	
17	09250-06017	PLUG,RR FENDER	2	
18	09409-06328	CLIP	6	
19	03541-0516A	SCREW	2	

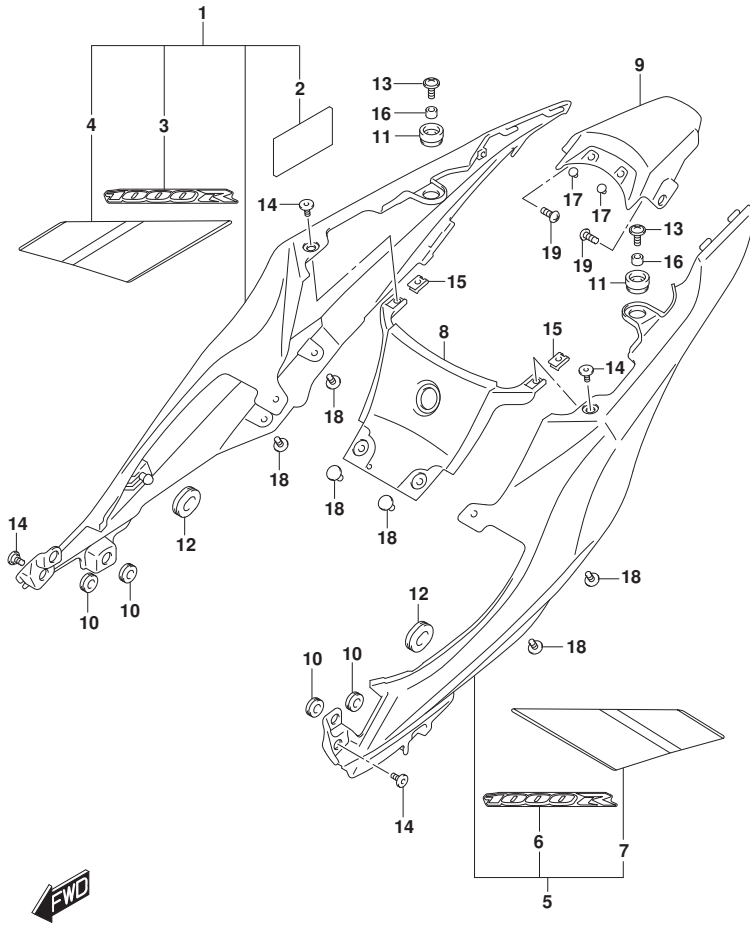


FIG.445C

FIG.445C (1-E-13) FRAME COVER (GSX-R1000ZA)

REF NO.	PART NO.	DESCRIPTION	Q'TY	REMARKS
1	47110-17K90-YMD	COVER,FRAME RH(SILVER)	1	
2	33652-17K10	.CUSHION (45X100X3)	1	
3	68135-17K50-YSF	.TAPE,FRAME COVER RH(BLUE)	1	
4	47210-17K90-YMD	COVER,FRAME LH (SILVER)	1	
5	68145-17K50-YSF	.TAPE,FRAME COVER LH(BLUE)	1	
6	47311-17K00	COVER,FRAME CENTER FRONT	1	
7	47411-17K00-YMD	COVER,FRAME CENTER REAR (SILVER)	1	
8	44173-14J00	CUSHION,FUEL TANK COVER SIDE	4	
9	47312-37H10	CUSHION (10X24X13)	2	
10	94478-14J00	CUSHION,UNDER COWL RH	2	
11	09139-06139	SCREW (6X16)	2	
12	09139-05092	SCREW (5X13)	4	
13	09148-05052	NUT (M5)	2	
14	09180-06283	SPACER (6.5X10X7)	2	
15	09250-06017	PLUG,RR FENDER	2	
16	09409-06328	CLIP	6	
17	03541-0516A	SCREW	2	

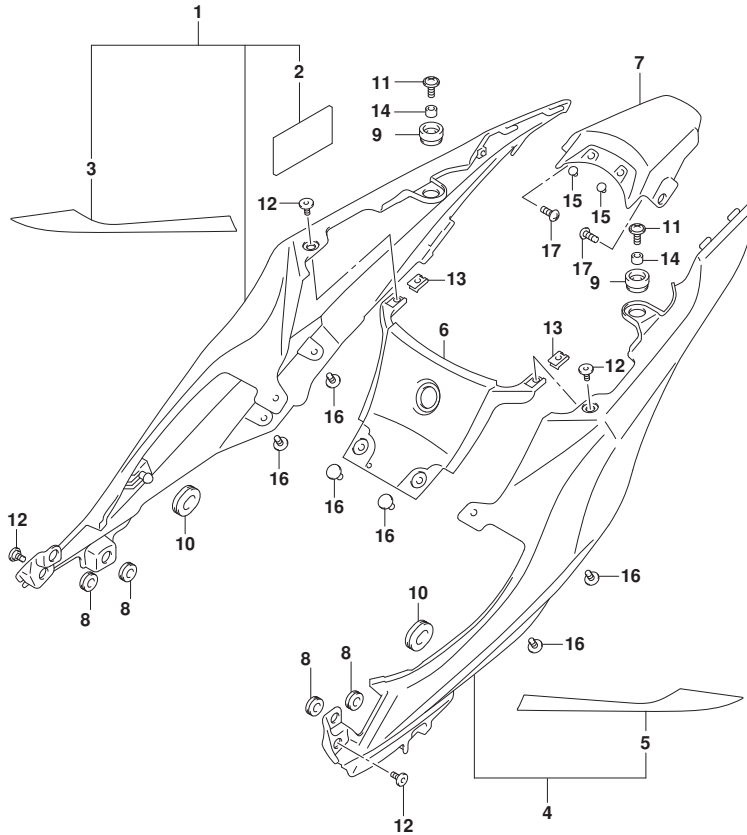


FIG.445D

FIG.445D (1-E-14) FRAME COVER (GSX-R1000RZA)

REF NO.	PART NO.	DESCRIPTION	Q'TY	REMARKS
1	47110-17KA0-YMD	COVER,FRAME RH(SILVER)	1	
2	33652-17K10	.CUSHION (45X100X3)	1	
3	68135-17K60-BJ8	.TAPE,FRAME COVER RH(BLUE,WHIT E,ORANGE)	1	
4	47210-17KA0-YMD	COVER,FRAME LH (SILVER)	1	
5	68145-17K60-BJ8	.TAPE,FRAME COVER LH(BLUE,WHIT E,ORANGE)	1	
6	47311-17K00	COVER,FRAME CENTER FRONT	1	
7	47411-17K00-YMD	COVER,FRAME CENTER REAR (SILVE R)	1	
8	44173-14J00	CUSHION,FUEL TANK COVER SIDE	4	
9	47312-37H10	CUSHION (10X24X13)	2	
10	94478-14J00	CUSHION,UNDER COWL RH	2	
11	09139-06139	SCREW (6X16)	2	
12	09139-05092	SCREW (5X13)	4	
13	09148-05052	NUT (M5)	2	
14	09180-06283	SPACER (6.5X10X7)	2	
15	09250-06017	PLUG,RR FENDER	2	
16	09409-06328	CLIP	6	
17	03541-0516A	SCREW	2	

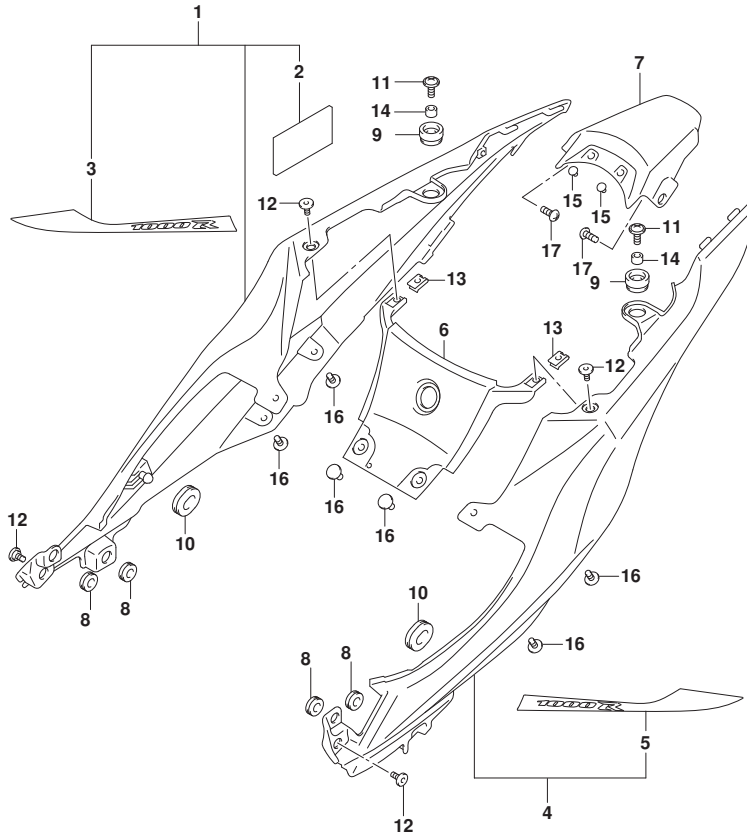


FIG.448A

FIG.448A (1-E-15) SIDE LOWER COVER (GSX-R1000A,GSX-R1000RA)

REF NO.	PART NO.	DESCRIPTION	Q'TY	REMARKS
1	47511-17K01	COVER,FRAME FRONT RH	1	
2	47611-17K01	COVER,FRAME FRONT LH	1	
3	47710-17K00-YKV	COVER,FRAME FR NO.2 RH(BLACK)	1	
4	47122-17K00	.CUSHION,FRAME COVER NO.2 (8X5 0X8)	1	
5	47123-17K00	.CUSHION,FRAME COVER NO.3	1	
6	47810-17K00-YKV	COVER,FRAME FR NO.2 LH(BLACK)	1	
7	47122-17K00	.CUSHION,FRAME COVER NO.2 (8X5 0X8)	1	
8	47123-17K00	.CUSHION,FRAME COVER NO.3	1	
9	33652-38F20	CUSHION,REAR COMB (20X40X20)	2	
10	47121-17K00	CUSHION,FRAME COVER UPPER	2	
11	09139-05092	SCREW (5X13)	2	
12	09148-05045	NUT (M5)	2	
13	03541-0516A	SCREW	2	
14	44572-13G00	FASTENER,FUEL TANK (33X25X3.0)	2	
15	33652-47F00	CUSHION,LICENSE PLATE (10X30X6)	2	

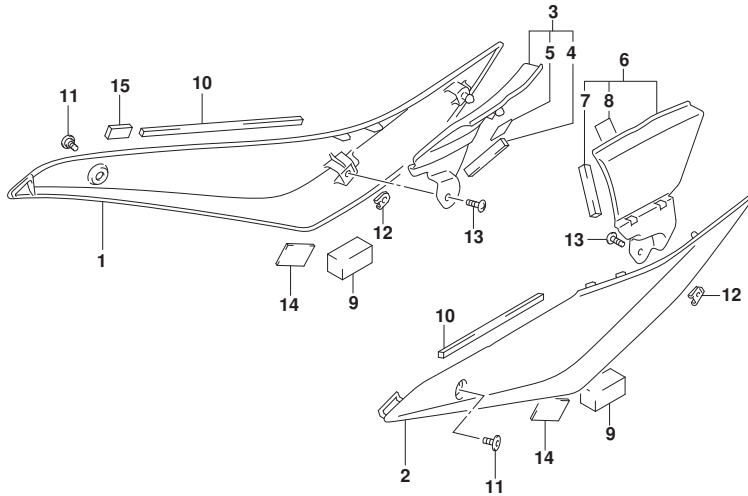


FIG.448B

FIG.448B (1-E-16) SIDE LOWER COVER (GSX-R1000ZA,GSX-R1000RZA)

REF NO.	PART NO.	DESCRIPTION	Q'TY	REMARKS
1	47511-17K01	COVER,FRAME FRONT RH	1	
2	47611-17K01	COVER,FRAME FRONT LH	1	
3	47710-17K00-YMD	COVER,FRAME FR NO.2 RH(SILVER)	1	
4	47122-17K00	.CUSHION,FRAME COVER NO.2 (8X5 0X8)	1	
5	47123-17K00	.CUSHION,FRAME COVER NO.3	1	
6	47810-17K00-YMD	COVER,FRAME FR NO.2 LH(SILVER)	1	
7	47122-17K00	.CUSHION,FRAME COVER NO.2 (8X5 0X8)	1	
8	47123-17K00	.CUSHION,FRAME COVER NO.3	1	
9	33652-38F20	CUSHION,REAR COMB (20X40X20)	2	
10	47121-17K00	CUSHION,FRAME COVER UPPER	2	
11	09139-05092	SCREW (5X13)	2	
12	09148-05045	NUT (M5)	2	
13	03541-0516A	SCREW	2	
14	44572-13G00	FASTENER,FUEL TANK (33X25X3.0)	2	
15	33652-47F00	CUSHION,LICENSE PLATE (10X30X6)	2	

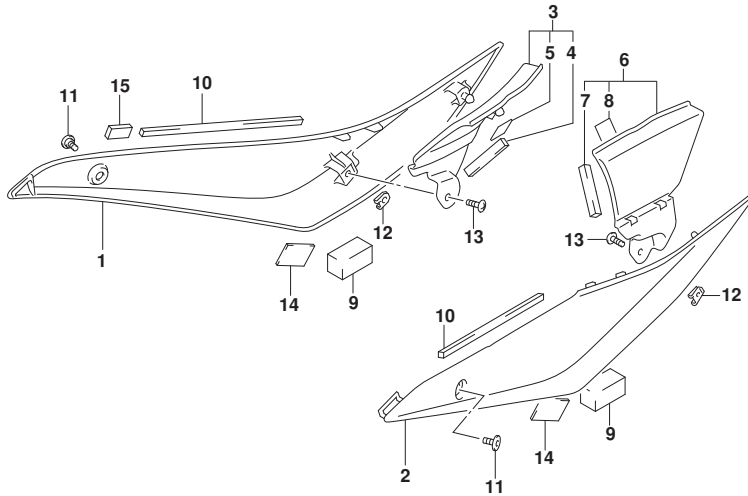


FIG.460A

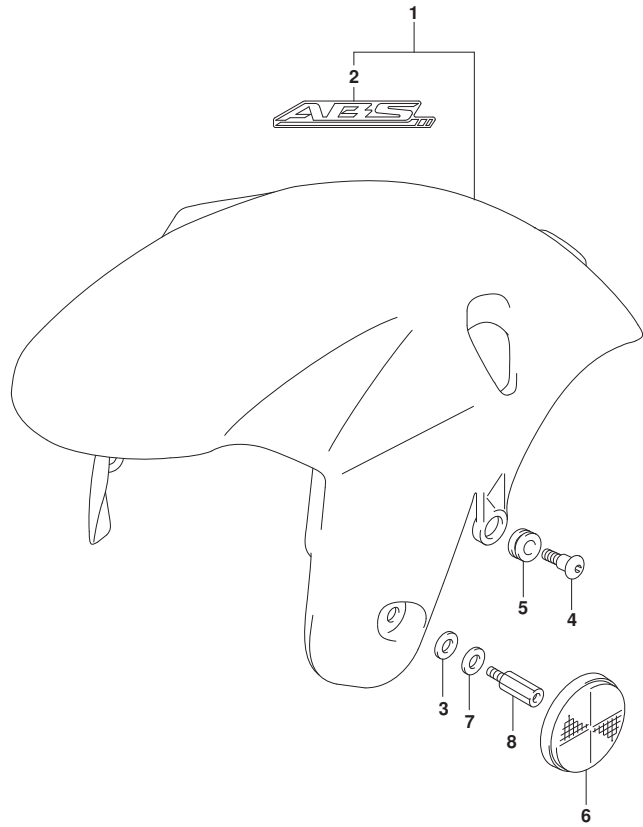


FIG.460A (1-F-2) FRONT FENDER (GSX-R1000A)

REF NO.	PART NO.	DESCRIPTION	Q'TY	REMARKS
1	53110-17K21-YKV	FENDER,FRONT (BLACK)	1	
2	68151-44G11-GWM	.EMBLEM,ABS (GRAY,BLACK)	1	
3	53121-33E00	WASHER,FR FENDER FRONT NO.2	2	
4	09139-06206	SCREW (6X20)	2	
5	09320-09016	CUSHION (9X18X9.5)	2	
6	35950-14A11	REFLEX REFLECTOR ASSY,FR SIDE	2	
7	09160-08043	WASHER (8.5X18X1.0)	2	
8	35952-17K01	BOLT	2	

FIG.460D

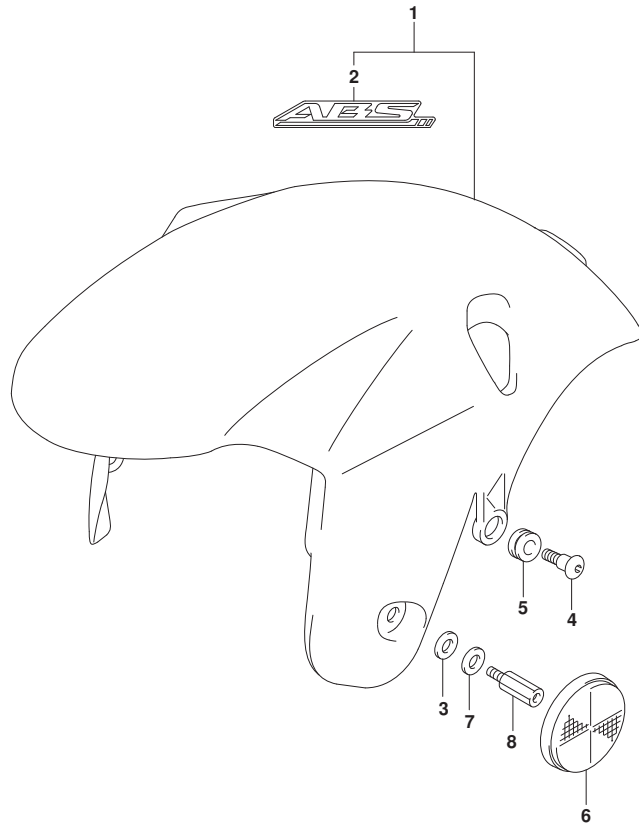


FIG.460D (1-F-3) FRONT FENDER (GSX-R1000ZA)

REF NO.	PART NO.	DESCRIPTION	Q'TY	REMARKS
1	53110-17K11-YMD	FENDER,FRONT (SILVER)	1	
2	68151-44G01-1ZY	EMBLEM,ABS (GRAY)	1	
3	53121-33E00	WASHER,FR FENDER FRONT NO.2	2	
4	09139-06206	SCREW (6X20)	2	
5	09320-09016	CUSHION (9X18X9.5)	2	
6	35950-14A11	REFLEX REFLECTOR ASSY,FR SIDE	2	
7	09160-08043	WASHER (8.5X18X1.0)	2	
8	35952-17K01	BOLT	2	

FIG.460G

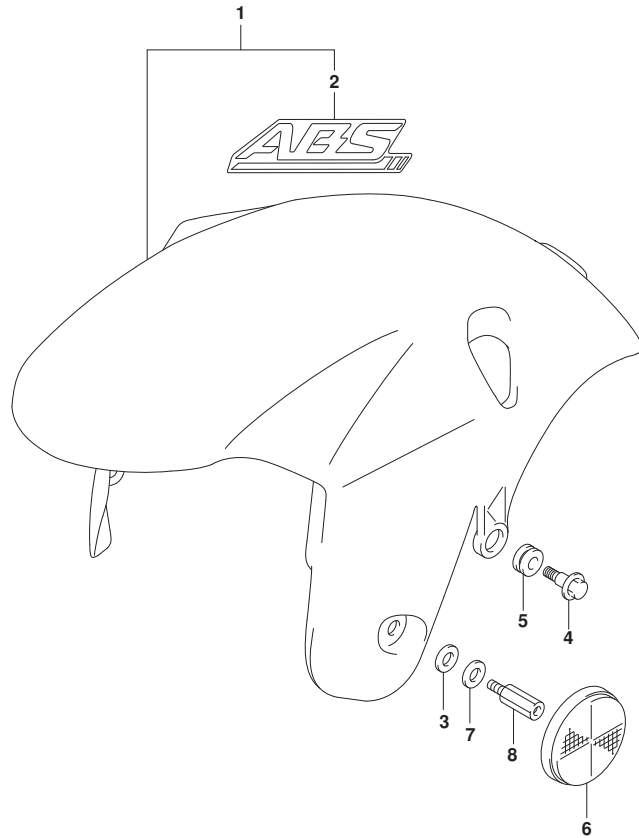


FIG.460G (1-F-4) FRONT FENDER (GSX-R1000RZA)

REF NO.	PART NO.	DESCRIPTION	QTY	REMARKS
1	53110-17K11-YMD	FENDER,FRONT (SILVER)	1	
2	68151-44G01-1ZY	.EMBLEM,ABS (GRAY)	1	
3	53121-33E00	WASHER,FR FENDER FRONT NO.2	2	
4	09111-06092	BOLT (6X19)	2	
5	09320-09016	CUSHION (9X18X9.5)	2	
6	35950-14A11	REFLEX REFLECTOR ASSY,FR SIDE	2	
7	09160-08043	WASHER (8.5X18X1.0)	2	
8	35952-17K01	BOLT	2	



FIG.460H

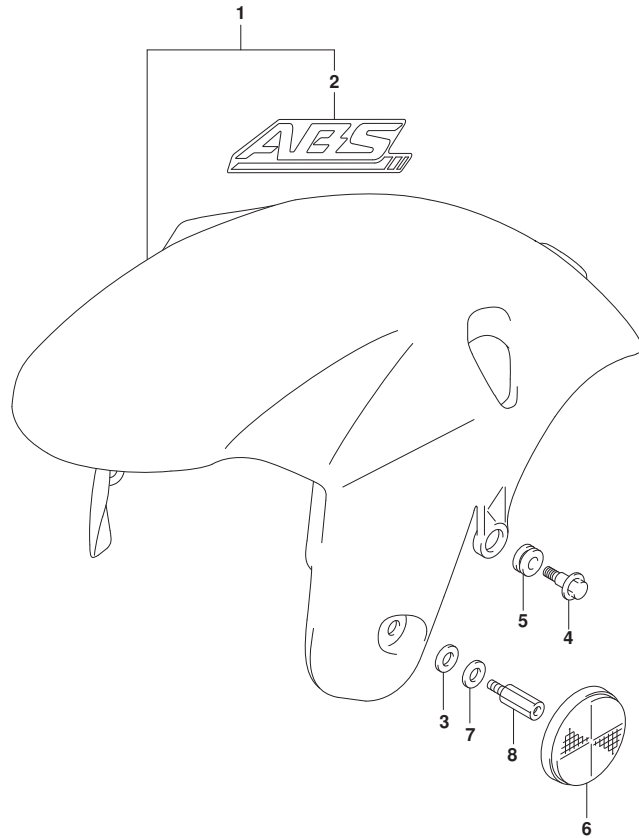


FIG.460H (1-F-5) FRONT FENDER (GSX-R1000RA)

REF NO.	PART NO.	DESCRIPTION	Q'TY	REMARKS
1	53110-17K21-YKV	FENDER,FRONT (BLACK)	1	
2	68151-44G11-GWM	.EMBLEM,ABS (GRAY,BLACK)	1	
3	53121-33E00	WASHER,FR FENDER FRONT NO.2	2	
4	09111-06092	BOLT (6X19)	2	
5	09320-09016	CUSHION (9X18X9.5)	2	
6	35950-14A11	REFLEX REFLECTOR ASSY,FR SIDE	2	
7	09160-08043	WASHER (8.5X18X1.0)	2	
8	35952-17K01	BOLT	2	

FIG.462A

FIG.462A (1-F-6) HANDLEBAR

REF NO.	PART NO.	DESCRIPTION	Q'TY	REMARKS
1	56111-17K01	HANDLEBAR RH	1	
2	56151-17K01	HANDLEBAR LH	1	
3	09106-08185	BOLT (8X32)	2	
4	56278-17K00	BALANCER,HANDLEBAR	2	
5	56277-17K00	BOLT,HANDLE BALANCER	2	
6	56500-17K00	MIRROR ASSY,REAR VIEW RH	1	
7	56525-17K00	.CUSHION,MIRROR	1	
8	56600-17K00	MIRROR ASSY,REAR VIEW LH	1	
9	56525-17K00	.CUSHION,MIRROR	1	
10	56619-41G01	NUT,REAR VIEW MIRROR	4	
11	09250-05009	CAP (OD:10)	4	
12	07130-0620B	BOLT	4	
13	58200-17K01	CABLE ASSY,CLUTCH	1	
14	58285-17K00	CLAMP	1	
15	58300-17K01	CABLE ASSY,THROTTLE NO.1	1	
16	58300-17K11	CABLE ASSY,THROTTLE NO.2	1	
17	09125-05042	SCREW (5X10)	2	
18	58635-17K00	STOPPER,CLUTCH CABLE	1	
19	01550-0616A	BOLT	2	
20	58621-17K01	GUIDE,CABLE	1	
21	09139-06214	SCREW (6X16)	2	

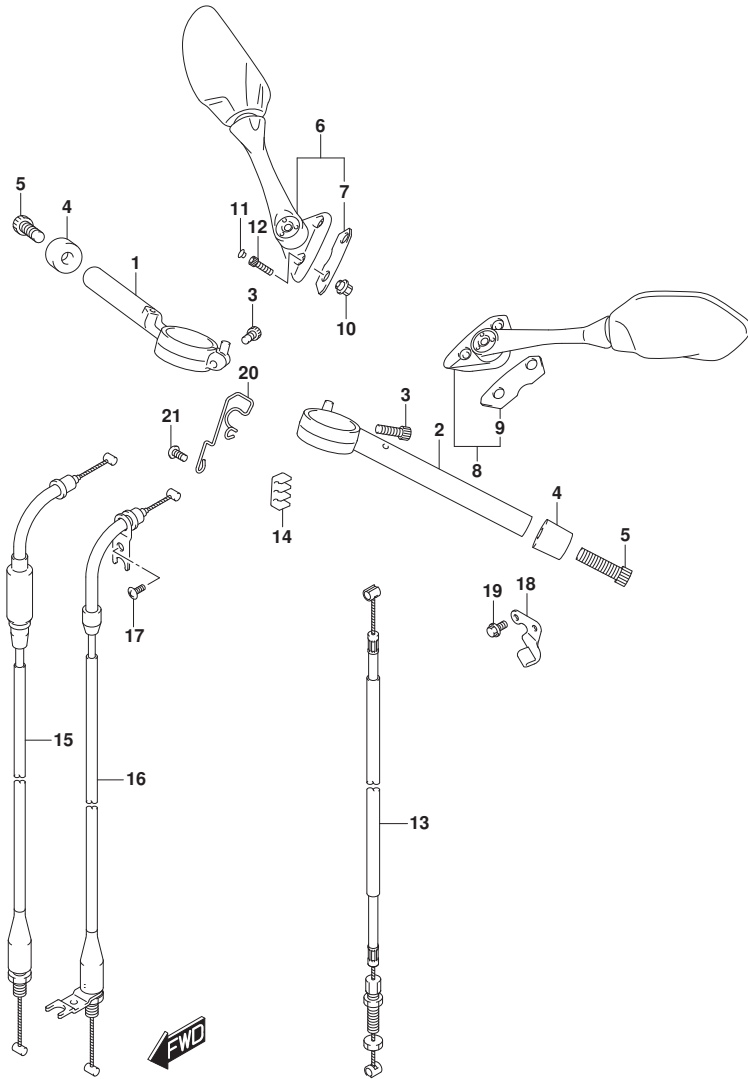


FIG.467A

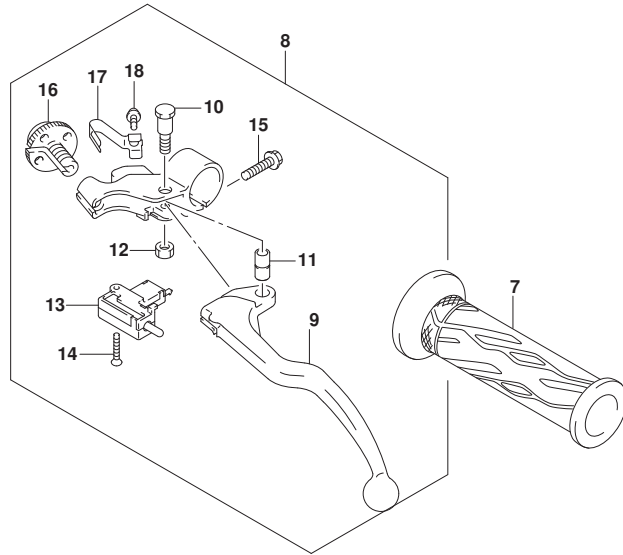
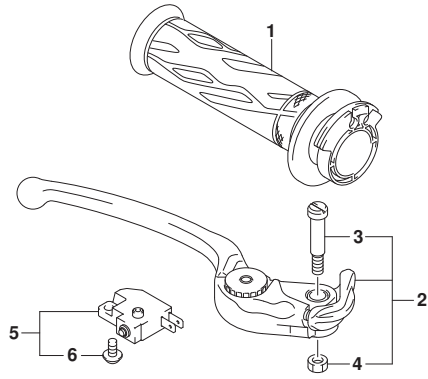


FIG.467A (1-F-7) HANDLE LEVER

REF NO.	PART NO.	DESCRIPTION	Q'TY	REMARKS
1	57110-21H02	GRIP,THROTTLE	1	
2	57300-17K00	LEVER ASSY,BRAKE	1	
3	57431-29G00	.BOLT,LEVER PIVOT	1	
4	57433-09F00	.NUT,LEVER PIVOT	1	
5	57460-14J02	SWITCH ASSY,FRONT BRAKE	1	
6	57465-17C00	.SCREW	1	
7	57211-21H01	GRIP LH	1	
8	57500-41G70	LEVER ASSY,CLUTCH	1	
9	57621-41G10	.LEVER,CLUTCH	1	
10	57431-41G60	.BOLT,LEVER PIVOT	1	
11	57532-41G00	.COLLAR	1	
12	08319-3106B	.NUT	1	
13	57560-41G20	.SWITCH,CLUTCH	1	
14	57562-41G21	.SCREW,CLUTCH SWITCH	1	
15	01547-0620B	.BOLT	1	
16	57641-33E21	.NUT,ADJUSTER	1	
17	57644-33E10	.SPRING,ADJUST	1	
18	57642-33E10	.SCREW,ADJUST	1	

FIG.474A

FIG.474A (1-F-8) REAR FENDER

REF NO.	PART NO.	DESCRIPTION	Q'TY	REMARKS
1	63111-17K00	FENDER,REAR FRONT	1	
2	63113-17K00	FENDER,REAR REAR	1	
3	63114-17K00	MUDGUARD,REAR FENDER	1	
4	63116-17K00	FENDER,REAR REAR INNER	1	
5	63117-17K00	BOLT,REAR FENDER REAR	4	
6	63121-17K00	TAPE,REAR COMB RH	1	
7	63122-17K00	TAPE,REAR COMB LH	1	
8	94443-06G00	TAPE,SIDE COWL COVER NO.2 (6X2 5X0.13)	2	
9	09148-05038	NUT (M5)	2	
10	03541-0512A	SCREW	1	
11	03541-0516A	SCREW	3	
12	03541-0516B	SCREW	5	
13	08322-0106A	WASHER	2	
14	33652-05G20	CUSHION,RR LAMP (17X17X12)	2	
15	45148-27J00	CUSHION,SEAT MOUNT	1	
16	47431-17K00	HOLDER,BATTERY	1	
17	47441-17K10	HOLDER,ELECTRIC PARTS	1	
18	09111-06081	BOLT (6X18)	2	
19	03541-0516A	SCREW	2	
20	09321-06026	CUSHION	1	

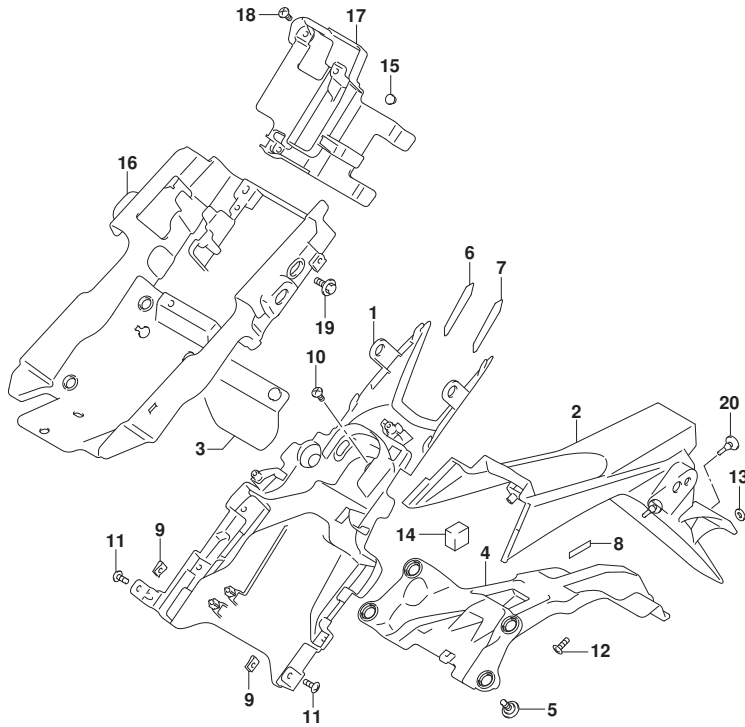


FIG.480A

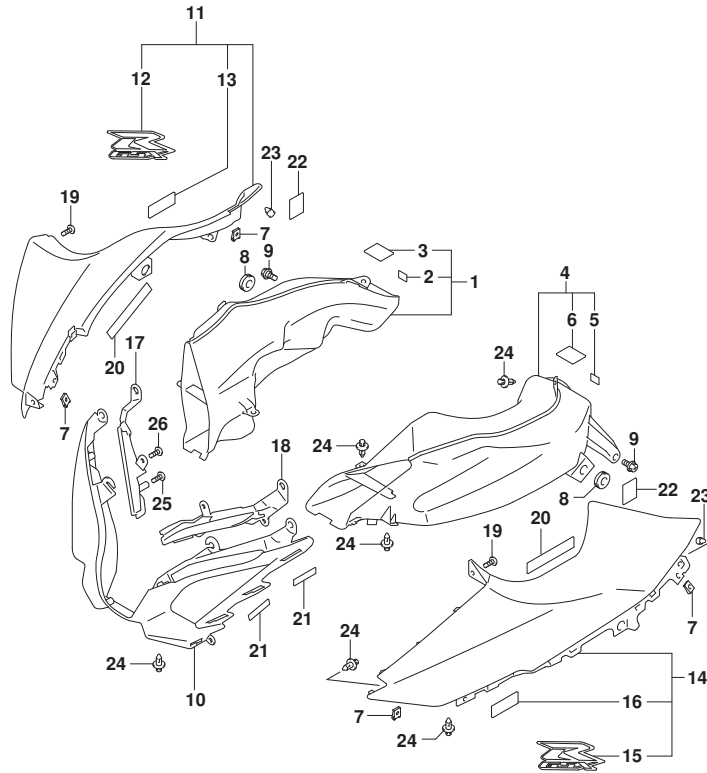


FIG.480A (1-F-9) AIR INTAKE PIPE (GSX-R1000A)

REF NO.	PART NO.	DESCRIPTION	Q'TY	REMARKS
1	94420-17K00	PIPE,AIR INTAKE	1	RH
2	63115-37H00	.CUSHION (10X10X1)	1	
3	36930-60A10	.COVER (30X45X2)	3	
4	94430-17K00	PIPE,AIR INTAKE	1	LH
5	63115-37H00	.CUSHION (10X10X1)	1	
6	36930-60A10	.COVER (30X45X2)	3	
7	09148-05052	NUT (M5)	4	
8	09320-08514	CUSHION (8X26X7)	2	
9	09111-06106	BOLT (6X12)	2	
10	94671-17K00-YKV	COVER,INTAKE (BLACK)	1	
11	94670-17K40-YKV	COVER,INTAKE RH(BLACK)	1	
12	68275-17K70-CRU	.EMBLEM,GSXR (BLACK)	1	
13	73415-70A00	.PAD (8X20X2)	1	
14	94680-17K40-YKV	COVER,INTAKE LH(BLACK)	1	
15	68275-17K70-CRU	.EMBLEM,GSXR (BLACK)	1	
16	73415-70A00	.PAD (8X20X2)	1	
17	94414-17K00	COVER,INTAKE UPPER RH	1	
18	94415-17K00	COVER,INTAKE UPPER LH	1	
19	09132-05050	SCREW (5X12)	2	
20	36930-82010	COVER,HARNESS (30X100X2)	2	
21	47161-40D10	CUSHION,SPOILER (6X25X2)	4	
22	94633-31J00	CUSHION,COVER SIDE (16X30X3.5)	2	
23	09321-06036	CUSHION	2	
24	09409-06314	CLIP (5.9X20.5)	16	
25	03541-0412B	SCREW	2	
26	03541-0512B	SCREW	4	



FIG.480B

FIG.480B (1-F-10) AIR INTAKE PIPE (GSX-R1000RA)

REF NO.	PART NO.	DESCRIPTION	Q'TY	REMARKS
1	94420-17K00	PIPE,AIR INTAKE	1	RH
2	63115-37H00	.CUSHION (10X10X1)	1	
3	36930-60A10	.COVER (30X45X2)	3	
4	94430-17K00	PIPE,AIR INTAKE	1	LH
5	63115-37H00	.CUSHION (10X10X1)	1	
6	36930-60A10	.COVER (30X45X2)	3	
7	09148-05052	NUT (M5)	4	
8	09320-08514	CUSHION (8X26X7)	2	
9	09111-06106	BOLT (6X12)	2	
10	94671-17K00-YVB	COVER,INTAKE (BLACK)	1	
11-1	94670-17K70-YKV	COVER,INTAKE RH(BLACK)	1	BODY COLOR:YKV
11-2	94670-17K70-4TX	COVER,INTAKE RH(BLACK)	1	BODY COLOR:4TX
12-1	68275-17K90-B91	.TAPE,INTAKE COVER RH	1	BODY COLOR:YKV
12-2	68275-17K90-B92	.TAPE,INTAKE COVER RH	1	BODY COLOR:4TX
13	73415-70A00	.PAD (8X20X2)	1	
14-1	94680-17K70-YKV	COVER,INTAKE LH(BLACK)	1	BODY COLOR:YKV
14-2	94680-17K70-4TX	COVER,INTAKE LH(BLACK)	1	BODY COLOR:4TX
15-1	68276-17K90-B91	.TAPE,INTAKE COVER LH	1	BODY COLOR:YKV
15-2	68276-17K90-B92	.TAPE,INTAKE COVER LH	1	BODY COLOR:4TX
16	73415-70A00	.PAD (8X20X2)	1	
17	09132-05050	SCREW (5X12)	2	
18	36930-82010	COVER,HARNES (30X100X2)	2	
19	47161-40D10	CUSHION,SPOILER (6X25X2)	4	
20	94633-31J00	CUSHION,COVER SIDE (16X30X3.5)	2	
21	09321-06036	CUSHION	2	
22	09409-06314	CLIP (5.9X20.5)	16	

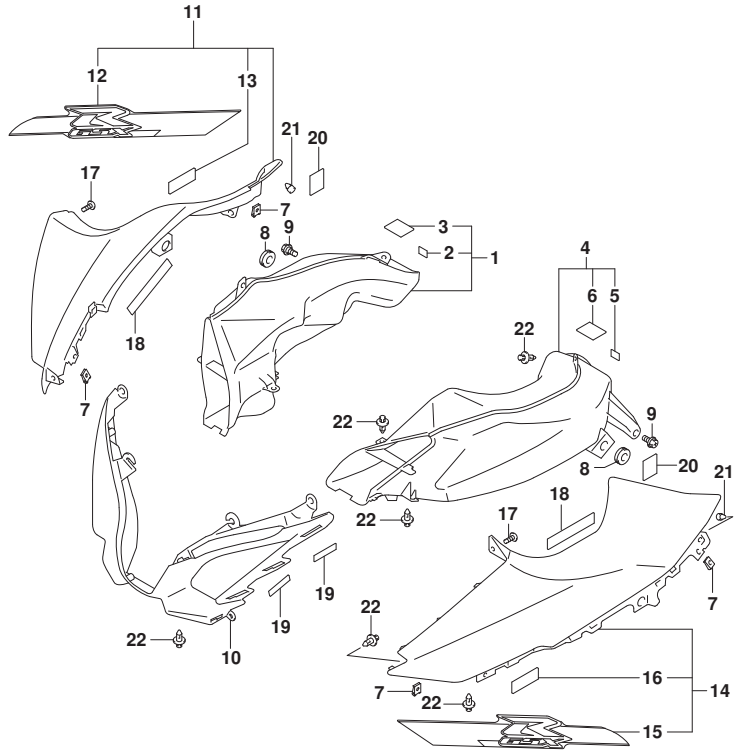


FIG.480C

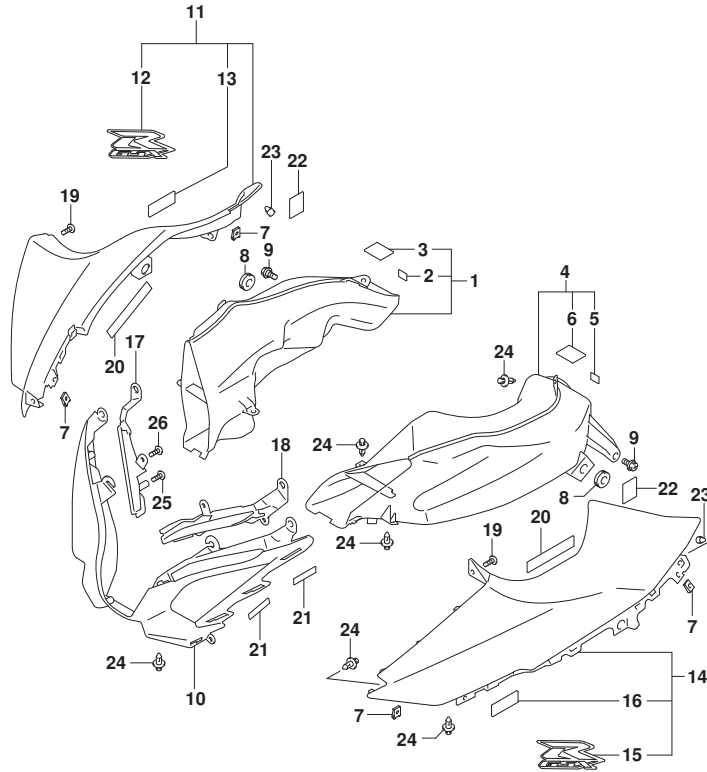


FIG.480C (1-F-11) AIR INTAKE PIPE (GSX-R1000ZA)

REF NO.	PART NO.	DESCRIPTION	Q'TY	REMARKS
1	94420-17K00	PIPE,AIR INTAKE	1	RH
2	63115-37H00	.CUSHION (10X10X1)	1	
3	36930-60A10	.COVER (30X45X2)	3	
4	94430-17K00	PIPE,AIR INTAKE	1	LH
5	63115-37H00	.CUSHION (10X10X1)	1	
6	36930-60A10	.COVER (30X45X2)	3	
7	09148-05052	NUT (M5)	4	
8	09320-08514	CUSHION (8X26X7)	2	
9	09111-06106	BOLT (6X12)	2	
10	94671-17K00-YVB	COVER,INTAKE (BLACK)	1	
11	94670-17K40-YSF	COVER,INTAKE RH (BLUE)	1	
12	68275-17K70-BW8	.EMBLEM,GSXR	1	
13	73415-70A00	.PAD (8X20X2)	1	
14	94680-17K40-YSF	COVER,INTAKE LH (BLUE)	1	
15	68275-17K70-BW8	.EMBLEM,GSXR	1	
16	73415-70A00	.PAD (8X20X2)	1	
17	94414-17K00	COVER,INTAKE UPPER RH	1	
18	94415-17K00	COVER,INTAKE UPPER LH	1	
19	09132-05050	SCREW (5X12)	2	
20	36930-82010	COVER,HARNESS (30X100X2)	2	
21	47161-40D10	CUSHION,SPOILER (6X25X2)	4	
22	94633-31J00	CUSHION,COVER SIDE (16X30X3.5)	2	
23	09321-06036	CUSHION	2	
24	09409-06314	CLIP (5.9X20.5)	16	
25	03541-0412B	SCREW	2	
26	03541-0512B	SCREW	4	



FIG.480D

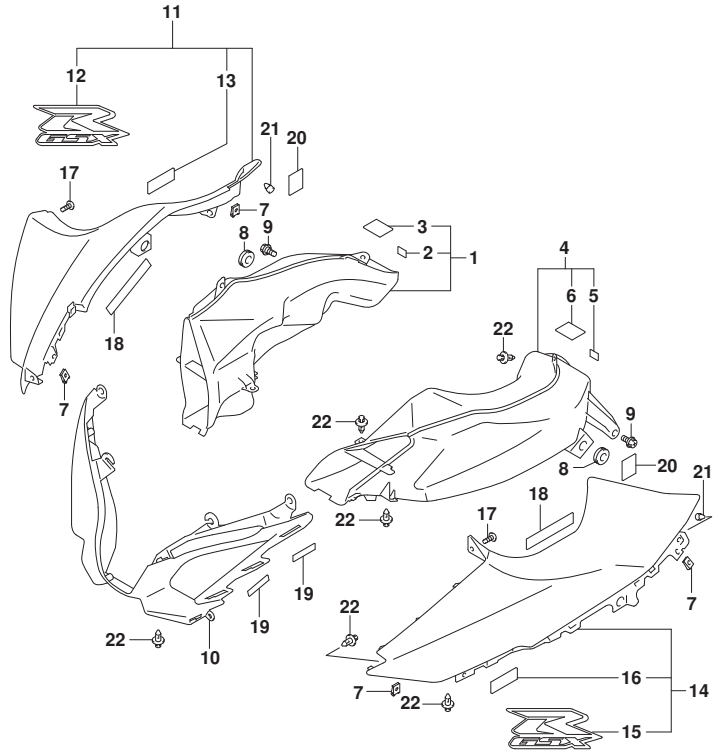


FIG.480D (1-F-12) AIR INTAKE PIPE (GSX-R1000RZA)

REF NO.	PART NO.	DESCRIPTION	Q'TY	REMARKS
1	94420-17K00	PIPE,AIR INTAKE RH	1	
2	63115-37H00	.CUSHION (10X10X1)	1	
3	36930-60A10	.COVER (30X45X2)	3	
4	94430-17K00	PIPE,AIR INTAKE LH	1	
5	63115-37H00	.CUSHION (10X10X1)	1	
6	36930-60A10	.COVER (30X45X2)	3	
7	09148-05052	NUT (M5)	4	
8	09320-08514	CUSHION (8X26X7)	2	
9	09111-06106	BOLT (6X12)	2	
10	94671-17K00-YVB	COVER,INTAKE (BLACK)	1	
11	94670-17K40-YSF	COVER,INTAKE RH (BLUE)	1	
12	68275-17K70-BW8	.EMBLEM,GSXR	1	
13	73415-70A00	.PAD (8X20X2)	1	
14	94680-17K40-YSF	COVER,INTAKE LH (BLUE)	1	
15	68275-17K70-BW8	.EMBLEM,GSXR	1	
16	73415-70A00	.PAD (8X20X2)	1	
17	09132-05050	SCREW (5X12)	2	
18	36930-82010	COVER,HARNESS (30X100X2)	2	
19	47161-40D10	CUSHION,SPOILER (6X25X2)	4	
20	94633-31J00	CUSHION,COVER SIDE (16X30X3.5)	2	
21	09321-06036	CUSHION	2	
22	09409-06314	CLIP (5.9X20.5)	16	



FIG.481A

FIG.481A (1-F-13) COWLING BODY (GSX-R1000A)

REF NO.	PART NO.	DESCRIPTION	Q'TY	REMARKS
1	94410-17K30-YKV	COWLING,BODY (BLACK)	1	
2	44192-44H00	.CUSHION,FUEL TANK	1	
3	44572-02F01	.FASTENER (25X33X0.8)	1	
4	44572-37H00	.FASTENER,COWLING (20X15X0.8)	2	
5	94443-21H00	.TAPE,FRONT TURNSIGNAL (5X20X0.4)	2	
6	68177-04A00-CRU	.EMBLEM,"SUZUKI" (BLACK)	1	
7	94611-17K00	WINDSCREEN	1	
8	94631-17K00	SCREW,WINDSCREEN FRONT	4	
9	94621-17K00	SCREW,WINDSCREEN REAR	2	
10	09159-05019	NUT (M5)	6	
11	94511-17K00	BRACE,COWLING	1	
12	09103-08207	BOLT (8X45)	2	
13	08313-2008A	NUT	2	
14	09320-08514	CUSHION (8X26X7)	2	
15	94630-17K00	PANEL,METER RH	1	
16	33652-21G00	.CUSHION (10X20X5)	1	
17	44279-18K00	.CUSHION (5X50X5)	1	
18	73415-70A00	.PAD (8X20X2)	1	
19	94640-17K00	PANEL,METER LH	1	
20	33652-21G00	.CUSHION (10X20X5)	1	
21	44279-18K00	.CUSHION (5X50X5)	1	
22	73415-70A00	.PAD (8X20X2)	1	

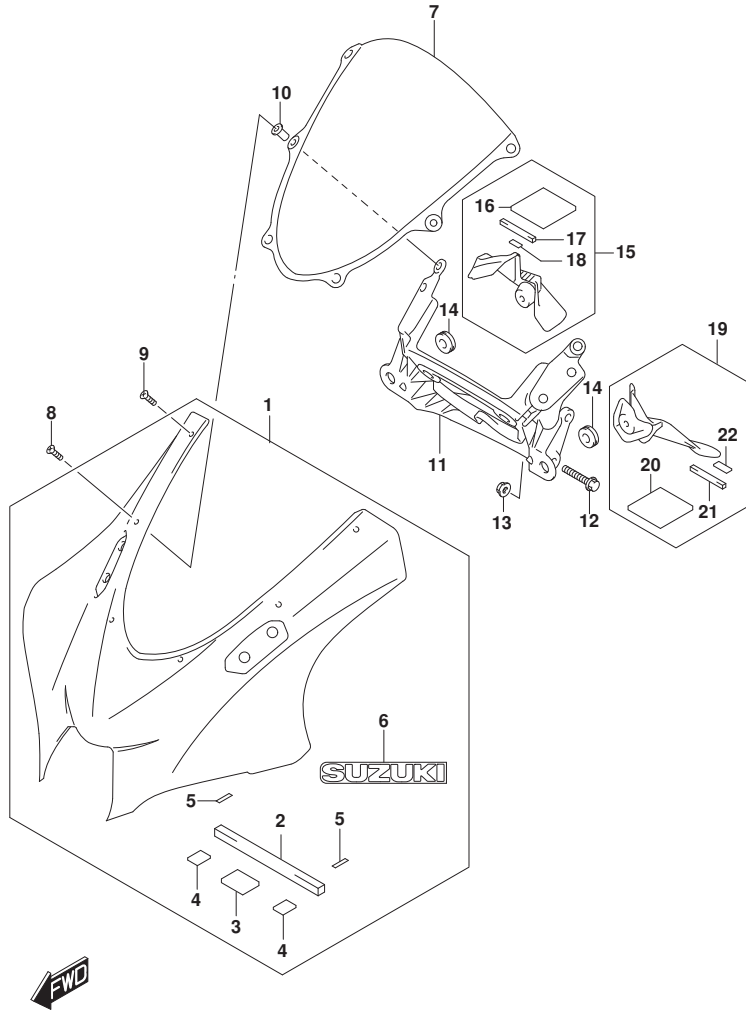


FIG.481B

FIG.481B (1-F-14) COWLING BODY (GSX-R1000RA)

REF NO.	PART NO.	DESCRIPTION	Q'TY	REMARKS
1-1	94410-17K60-YKV	COWLING,BODY (BLACK)	1	BODY COLOR:YKV
1-2	94410-17K60-4TX	COWLING,BODY (BLACK)	1	BODY COLOR:4TX
2	44192-44H00	.CUSHION,FUEL TANK	1	
3	44572-02F01	.FASTENER (25X33X0.8)	1	
4	44572-37H00	.FASTENER,COWLING (20X15X0.8)	2	
5	94443-21H00	.TAPE,FRONT TURNSIGNAL (5X20X0.4)	2	
6-1	68270-17K60-CRU	.TAPE SET,COWLING BODY (BLACK)	1	BODY COLOR:YKV
6-2	68270-17K60-B9N	.TAPE SET,COWLING BODY	1	BODY COLOR:4TX
7-1	68275-17K30-019	.EMBLEM,"SUZUKI" (BLACK)	1	BODY COLOR:YKV
7-2	68275-17K30-YES	.EMBLEM,"SUZUKI" (SILVER)	1	BODY COLOR:4TX
8	94611-17K00	WINDSCREEN	1	
9	94631-17K00	SCREW,WINDSCREEN FRONT	4	
10	94621-17K00	SCREW,WINDSCREEN REAR	2	
11	09159-05019	NUT (M5)	6	
12	94511-17K00	BRACE,COWLING	1	
13	09103-08207	BOLT (8X45)	2	
14	08313-2008A	NUT	2	
15	09320-08514	CUSHION (8X26X7)	2	
16	94630-17K00	PANEL,METER RH	1	
17	33652-21G00	.CUSHION (10X20X5)	1	
18	44279-18K00	.CUSHION (5X50X5)	1	
19	73415-70A00	.PAD (8X20X2)	1	
20	94640-17K00	PANEL,METER LH	1	
21	33652-21G00	.CUSHION (10X20X5)	1	
22	44279-18K00	.CUSHION (5X50X5)	1	
23	73415-70A00	.PAD (8X20X2)	1	
24	68281-47HA0	EMBLEM,S	1	

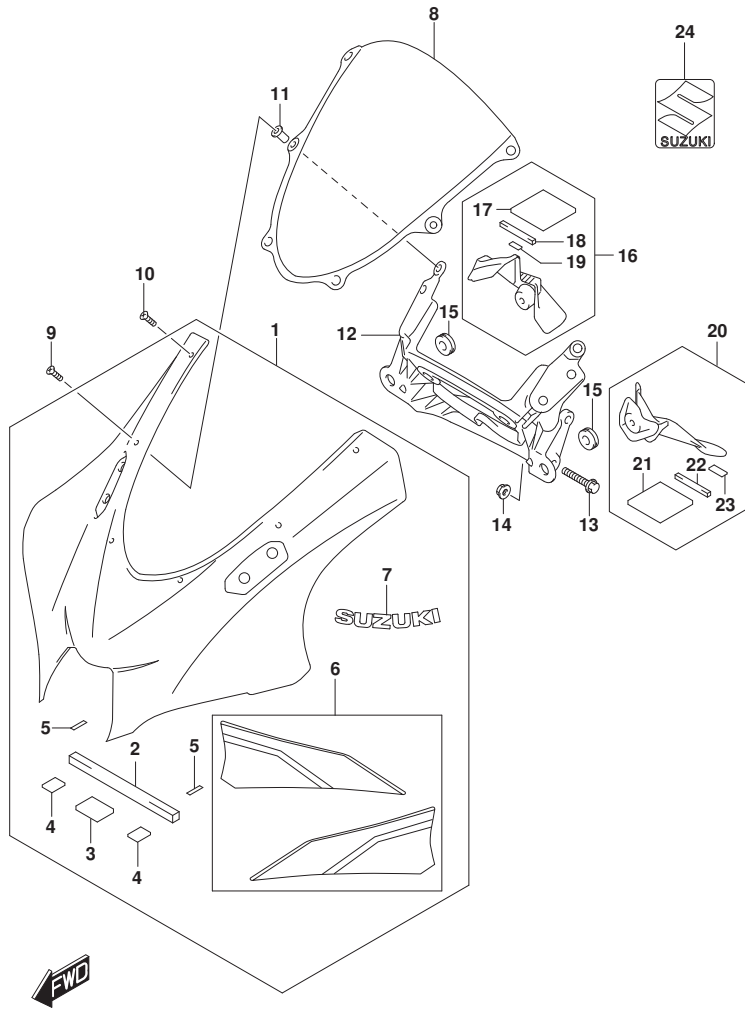


FIG.481C

FIG.481C (1-F-15) COWLING BODY (GSX-R1000ZA)

REF NO.	PART NO.	DESCRIPTION	Q'TY	REMARKS
1	94410-17K50-YSF	COWLING,BODY (BLUE)	1	
2	44192-44H00	.CUSHION,FUEL TANK	1	
3	44572-02F01	.FASTENER (25X33X0.8)	1	
4	44572-37H00	.FASTENER,COWLING (20X15X0.8)	2	
5	94443-21H00	.TAPE,FRONT TURNSIGNAL (5X20X0.4)	2	
6	68275-17K80-BR9	.TAPE,COWLING BODY RH(WHITE,YELLOW,BLUE)	1	
7	68285-17K80-BR9	.TAPE,COWLING BODY LH(WHITE,YELLOW,BLUE)	1	
8	94611-17K00	WINDSCREEN	1	
9	94631-17K00	SCREW,WINDSCREEN FRONT	4	
10	94621-17K00	SCREW,WINDSCREEN REAR	2	
11	09159-05019	NUT (M5)	6	
12	94511-17K00	BRACE,COWLING	1	
13	09103-08207	BOLT (8X45)	2	
14	08313-2008A	NUT	2	
15	09320-08514	CUSHION (8X26X7)	2	
16	94630-17K00	PANEL,METER,R	1	
17	33652-21G00	.CUSHION (10X20X5)	1	
18	44279-18K00	.CUSHION (5X50X5)	1	
19	73415-70A00	.PAD (8X20X2)	1	
20	94640-17K00	PANEL,METER,L	1	
21	33652-21G00	.CUSHION (10X20X5)	1	
22	44279-18K00	.CUSHION (5X50X5)	1	
23	73415-70A00	.PAD (8X20X2)	1	

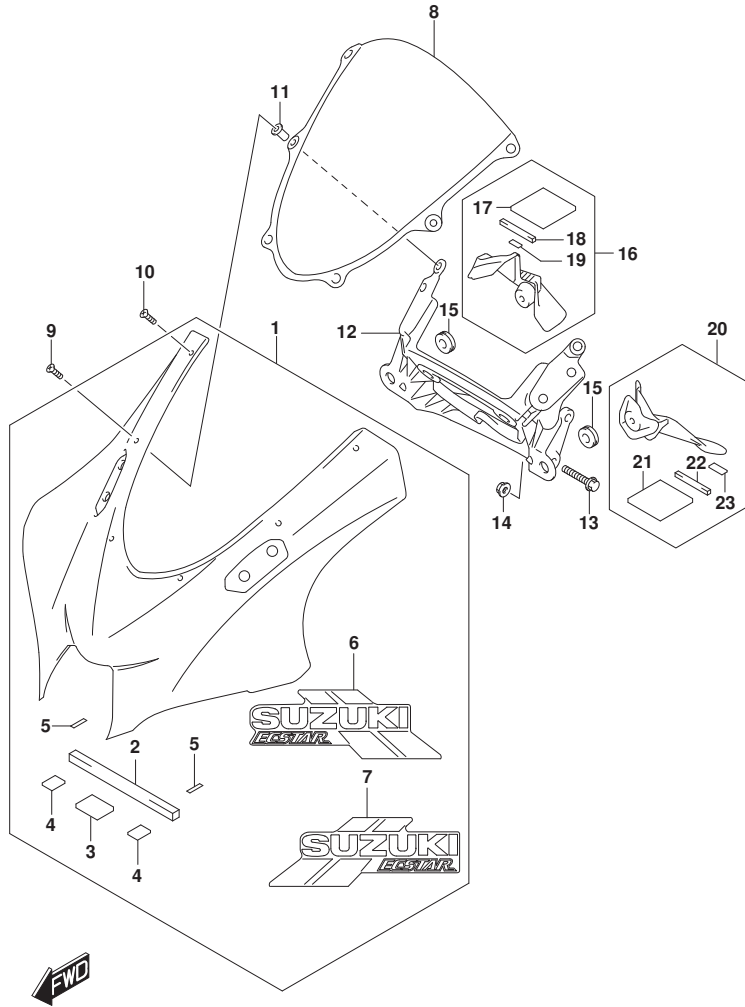


FIG.481D

FIG.481D (1-F-16) COWLING BODY (GSX-R1000RZA)

REF NO.	PART NO.	DESCRIPTION	Q'TY	REMARKS
1	94410-17K50-YSF	COWLING,BODY (BLUE)	1	
2	44192-44H00	.CUSHION,FUEL TANK	1	
3	44572-02F01	.FASTENER (25X33X0.8)	1	
4	44572-37H00	.FASTENER,COWLING (20X15X0.8)	2	
5	94443-21H00	.TAPE,FRONT TURNSIGNAL (5X20X0.4)	2	
6	68275-17K80-BR9	.TAPE,COWLING BODY RH(WHITE,YELLOW,BLUE)	1	
7	68285-17K80-BR9	.TAPE,COWLING BODY LH(WHITE,YELLOW,BLUE)	1	
8	94611-17K00	WINDSCREEN	1	
9	94631-17K00	SCREW,WINDSCREEN FRONT	4	
10	94621-17K00	SCREW,WINDSCREEN REAR	2	
11	09159-05019	NUT (M5)	6	
12	94511-17K00	BRACE,COWLING	1	
13	09103-08207	BOLT (8X45)	2	
14	08313-2008A	NUT	2	
15	09320-08514	CUSHION (8X26X7)	2	
16	94630-17K00	PANEL,METER RH	1	
17	33652-21G00	.CUSHION (10X20X5)	1	
18	44279-18K00	.CUSHION (5X50X5)	1	
19	73415-70A00	.PAD (8X20X2)	1	
20	94640-17K00	PANEL,METER LH	1	
21	33652-21G00	.CUSHION (10X20X5)	1	
22	44279-18K00	.CUSHION (5X50X5)	1	
23	73415-70A00	.PAD (8X20X2)	1	
24	68281-47HA0	EMBLEM,S	1	

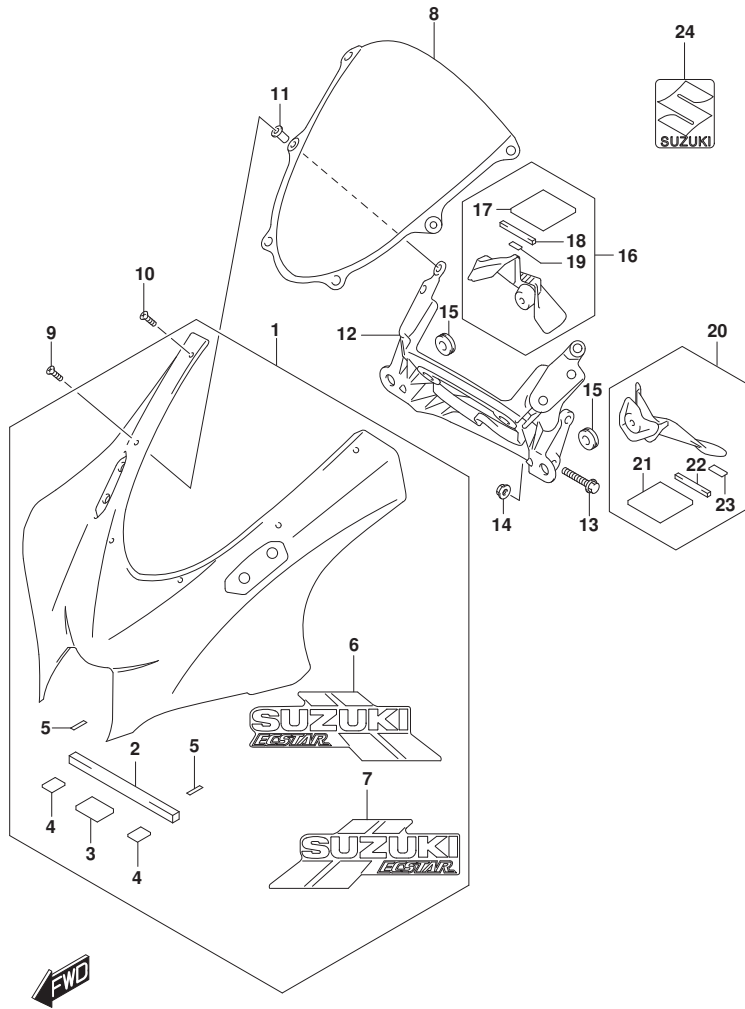


FIG.483A

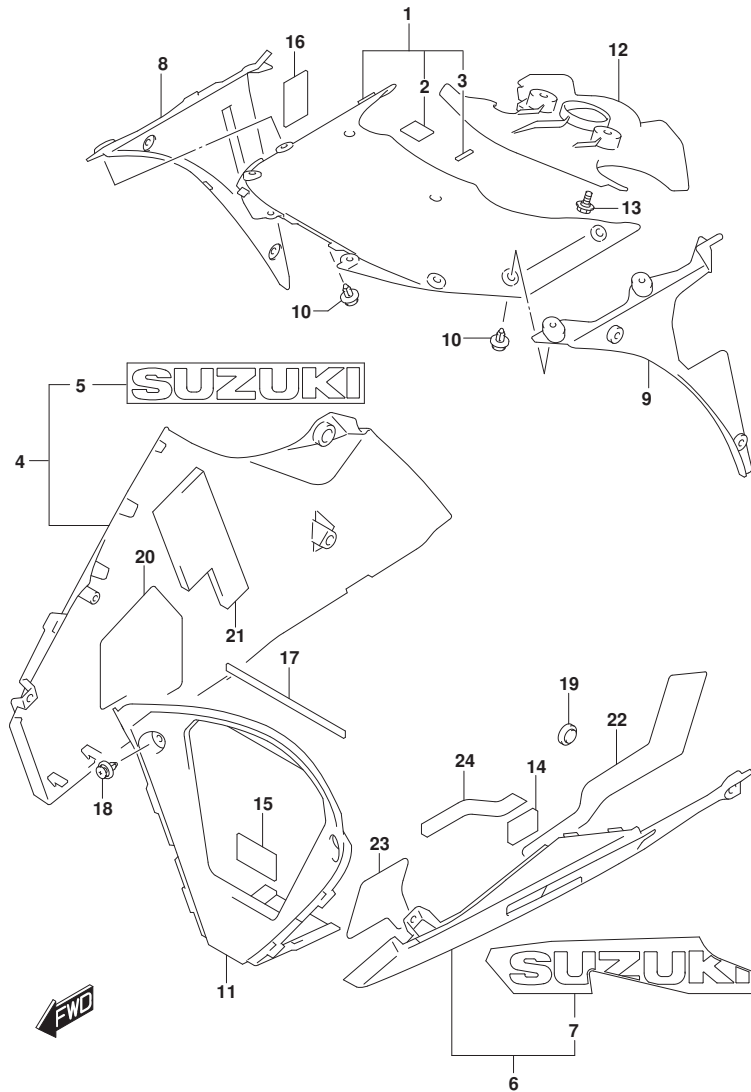


FIG.483A (1-G-2) UNDER COWLING (GSX-R1000A)

REF NO.	PART NO.	DESCRIPTION	Q'TY	REMARKS
1	94620-17K00	COVER,BODY COWL	1	
2	36930-60A10	.COVER (30X45X2)	2	
3	94443-06G00	.TAPE,SIDE COWL COVER NO.2 (6X25X0.13)	2	
4	94400-17K00-BVX	COWLING,UNDER RH(BLACK)	1	
5	68181-47HA1-019	.EMBLEM,"SUZUKI" (BLACK)	1	
6	94400-17K00-BVX	COWLING,UNDER RH(BLACK)	1	
7	68191-17K00-CRU	.EMBLEM,"SUZUKI" (BLACK)	1	
8	94461-17K00	COWLING,UNDER INNER RH	1	
9	94462-17K00	COWLING,UNDER INNER LH	1	
10	09409-06314	CLIP (5.9X20.5)	4	
11	94491-17K00	COWLING,UNDER CTR	1	
12	94458-17K00	COVER,LWR BRACKET	1	
13	09111-06107	BOLT (6X12)	2	
14	33652-13G00	PROTECTOR,BATTERY (30X40X1.0)	1	
15	33652-35400	PROTECTOR (20X50X8)	1	
16	36930-60A10	COVER (30X45X2)	1	
17	47121-31J00	CUSHION,FRAME COVER	1	
18	94479-35F00	CLIP	2	
19	09321-10018	CUSHION	2	
20	94476-17K00	SHIELD,UNDER COWL HEAT RH	1	
21	94477-17K10	CUSHION,SIDE REAR RH NO.2	1	
22	94486-17K00	SHIELD,UNDER COWL HEAT LH	1	
23	94486-17K10	SHIELD,UNDER COWL HEAT LH NO.2	1	
24	94487-17K10	CUSHION,SIDE REAR LH NO.2	1	

FIG.483B

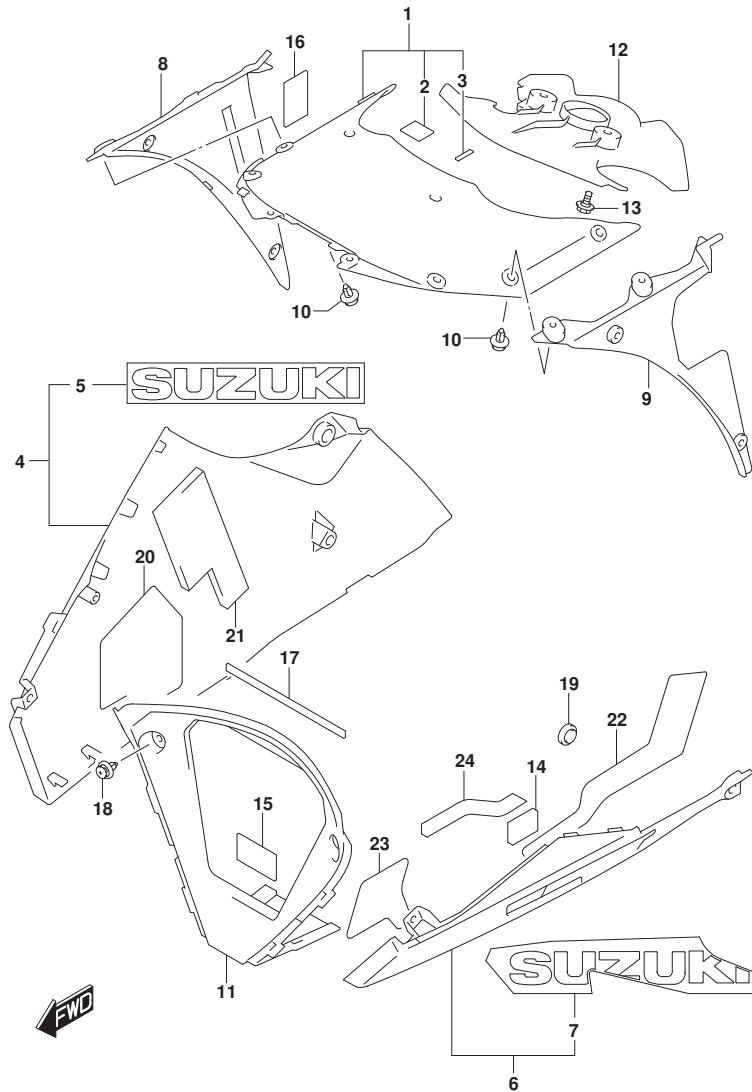


FIG.483B (1-G-3) UNDER COWLING (GSX-R1000RA)

REF NO.	PART NO.	DESCRIPTION	Q'TY	REMARKS
1	94620-17K00	COVER,BODY COWL	1	
2	36930-60A10	.COVER (30X45X2)	2	
3	94443-06G00	.TAPE,SIDE COWL COVER NO.2 (6X25X0.13)	2	
4-1	94400-17K00-BVX	COWLING,UNDER RH(BLACK)	1	
4-2	94400-17K00-B8X	COWLING,UNDER RH	1	
5-1	68181-47HA1-019	.EMBLEM,"SUZUKI" (BLACK)	1	
5-2	68181-47HA1-YES	.EMBLEM,"SUZUKI" (SILVER)	1	
6-1	94500-17K00-BVX	COWLING,UNDER LH(BLACK)	1	
6-2	94500-17K00-B8X	COWLING,UNDER LH	1	
7-1	68191-17K00-CRU	EMBLEM,"SUZUKI" (BLACK)	1	
7-2	68191-17K00-HSE	EMBLEM,"SUZUKI" (SILVER,BLACK)	1	
8	94461-17K00	COWLING,UNDER INNER RH	1	
9	94462-17K00	COWLING,UNDER INNER LH	1	
10	09409-06314	CLIP (5.9X20.5)	4	
11	94491-17K00	COWLING,UNDER CTR	1	
12	94458-17K00	COVER,LWR BRACKET	1	
13	09111-06107	BOLT (6X12)	2	
14	33652-13G00	PROTECTOR,BATTERY (30X40X1.0)	1	
15	33652-35400	PROTECTOR (20X50X8)	1	
16	36930-60A10	COVER (30X45X2)	1	
17	47121-31J00	CUSHION,FRAME COVER	1	
18	94479-35F00	CLIP	2	
19	09321-10018	CUSHION	2	
20	94476-17K00	SHIELD,UNDER COWL HEAT RH	1	
21	94477-17K10	CUSHION,SIDE REAR RH NO.2	1	
22	94486-17K00	SHIELD,UNDER COWL HEAT LH	1	
23	94486-17K10	SHIELD,UNDER COWL HEAT LH NO.2	1	
24	94487-17K10	CUSHION,SIDE REAR LH NO.2	1	

FIG.483C

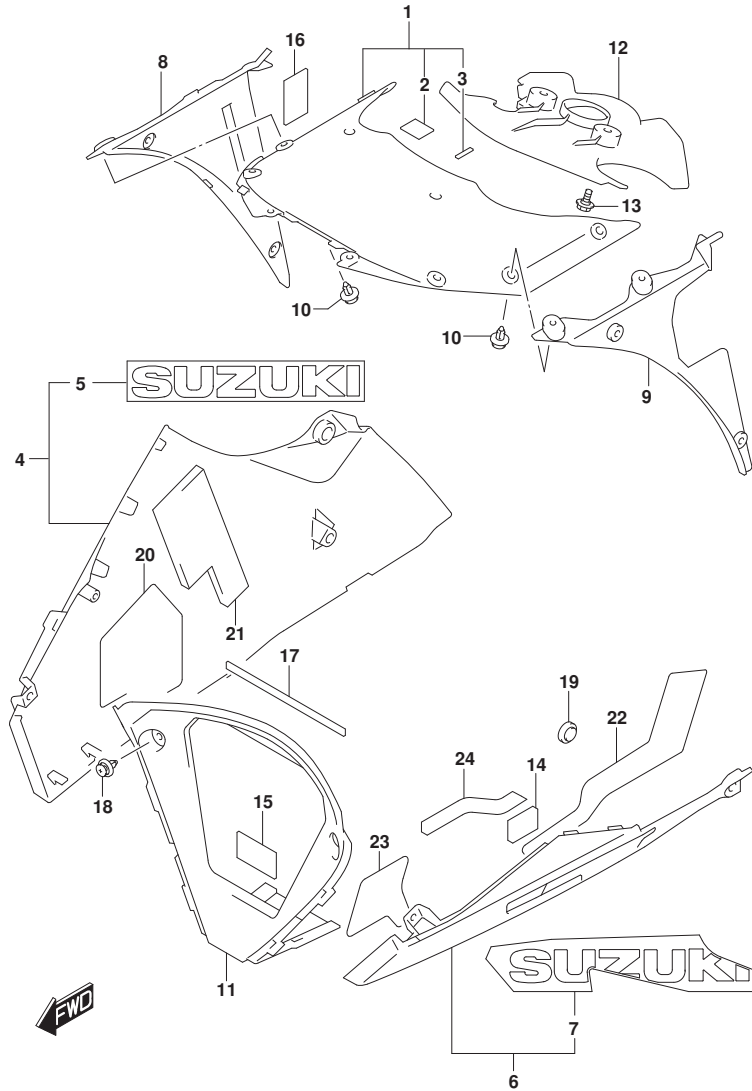


FIG.483C (1-G-4) UNDER COWLING (GSX-R1000ZA,GSX-R1000RZA)

REF NO.	PART NO.	DESCRIPTION	Q'TY	REMARKS
1	94620-17K00	COVER,BODY COWL	1	
2	36930-60A10	.COVER (30X45X2)	2	
3	94443-06G00	.TAPE,SIDE COWL COVER NO.2 (6X25X0.13)	2	
4	94400-17K00-YSF	COWLING,UNDER RH (BLUE)	1	
5	68181-47HA1-YWW	.EMBLEM,SUZUKI (WHITE)	1	
6	94500-17K00-YSF	COWLING,UNDER LH (BLUE)	1	
7	68191-17K00-AGQ	.EMBLEM,SUZUKI (BLUE,WHITE)	1	
8	94461-17K00	COWLING,UNDER INNER RH	1	
9	94462-17K00	COWLING,UNDER INNER LH	1	
10	09409-06314	CLIP (5.9X20.5)	2	
11	94491-17K00	COWLING,UNDER CTR	1	
12	94458-17K00	COVER,LWR BRACKET	1	
13	09111-06107	BOLT (6X12)	2	
14	33652-13G00	PROTECTOR,BATTERY (30X40X1.0)	1	
15	33652-35400	PROTECTOR (20X50X8)	1	
16	36930-60A10	COVER (30X45X2)	1	
17	47121-31J00	CUSHION,FRAME COVER	1	
18	94479-35F00	CLIP	2	
19	09321-10018	CUSHION	2	
20	94476-17K00	SHIELD,UNDER COWL HEAT RH	1	
21	94477-17K10	CUSHION,SIDE REAR RH NO.2	1	
22	94486-17K00	SHIELD,UNDER COWL HEAT LH	1	
23	94486-17K10	SHIELD,UNDER COWL HEAT LH NO.2	1	
24	94487-17K10	CUSHION,SIDE REAR LH NO.2	1	

FIG.485A

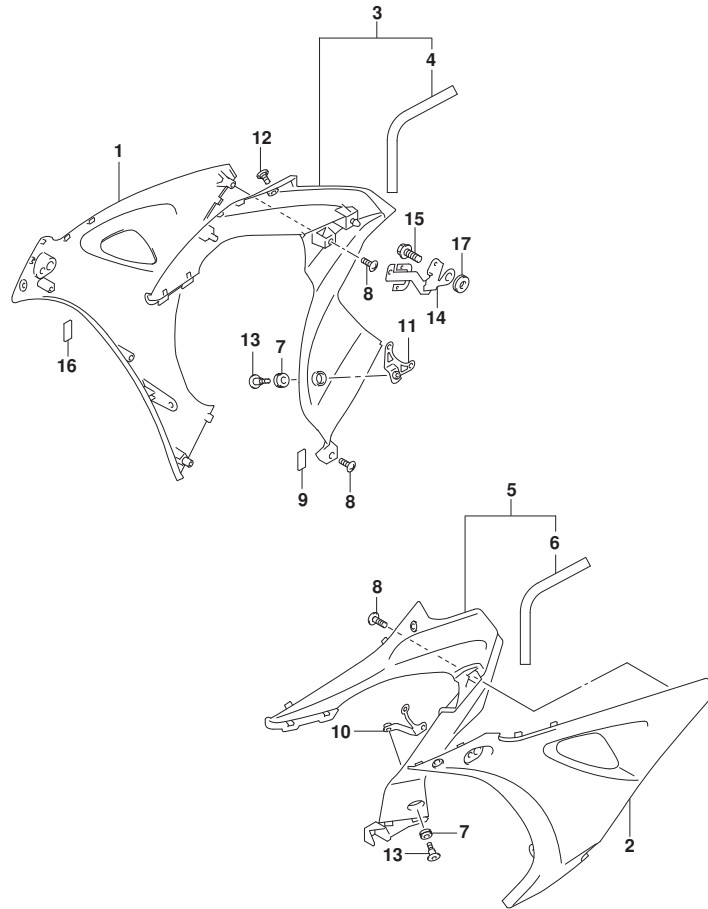


FIG.485A (1-G-5) SIDE COWLING (GSX-R1000A)

REF NO.	PART NO.	DESCRIPTION	Q'TY	REMARKS
1	94471-17K00-YKV	COWLING,SIDE FR RH (BLACK)	1	
2	94481-17K00-YKV	COWLING,SIDE FR LH (BLACK)	1	
3	94450-17K00-YKV	COWLING,SIDE REAR RH(BLACK)	1	
4	94477-17K00	.CUSHION,SIDE REAR RH NO.1	1	
5	94460-17K00-YKV	COWLING,SIDE REAR LH (BLACK)	1	
6	94487-17K00	.CUSHION,SIDE REAR LH NO.1	1	
7	09320-09016	CUSHION (9X18X9.5)	4	
8	03541-0516A	SCREW	6	
9	94477-17K20	CUSHION,SIDE REAR,R NO.3	1	
10	94520-17K00	BRACKET,UNDER COWL LH	1	
11	94540-17K00	BRACKET,UNDER COWL RH	1	
12	09139-05091	SCREW (5X13)	4	
13	09139-06206	SCREW (6X20)	4	
14	94530-17K00	BRACKET,SIDE COWL RH	1	
15	01550-0616A	BOLT	1	
16	36930-60A10	COVER (30X45X2)	1	
17	94478-14J00	CUSHION,UNDER COWL RH	2	



FIG.485B

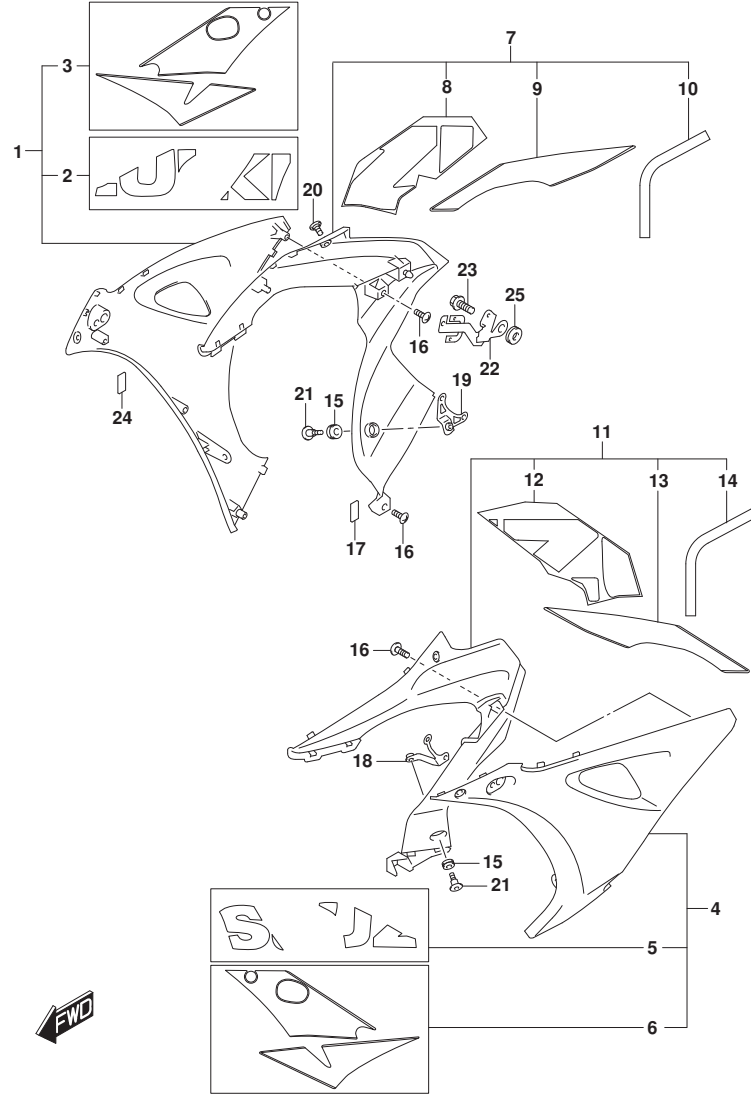


FIG.485B (1-G-6) SIDE COWLING (GSX-R1000RA)

REF NO.	PART NO.	DESCRIPTION	Q'TY	REMARKS
1-1	94470-17K80-YKV	COWLING, SIDE RH (BLACK)	1	BODY COLOR: YKV
1-2	94470-17K80-4TX	COWLING, SIDE RH (BLACK)	1	BODY COLOR: 4TX
2-1	68680-17K30-CRU	.TAPE SET, SIDE COWL CTR RH (BLACK)	1	BODY COLOR: YKV
2-2	68680-17K30-HSE	.TAPE SET, SIDE COWL CTR RH (SILVER, BLACK)	1	BODY COLOR: 4TX
3-1	68680-17K90-CRU	.TAPE SET, SIDE COWL RH (BLACK)	1	BODY COLOR: YKV
3-2	68680-17K90-B9E	.TAPE SET, SIDE COWL RH	1	BODY COLOR: 4TX
4-1	94480-17K80-YKV	COWLING, SIDE LH (BLACK)	1	BODY COLOR: YKV
4-2	94480-17K80-4TX	COWLING, SIDE LH (BLACK)	1	BODY COLOR: 4TX
5-1	68690-17K30-CRU	.TAPE SET, SIDE COWL CTR LH (BLACK)	1	BODY COLOR: YKV
5-2	68690-17K30-HSE	.TAPE SET, SIDE COWL CTR LH (SILVER, BLACK)	1	BODY COLOR: 4TX
6-1	68690-17K90-CRU	.TAPE SET, SIDE COWL LH (BLACK)	1	BODY COLOR: YKV
6-2	68690-17K90-B9E	.TAPE SET, SIDE COWL LH	1	BODY COLOR: 4TX
7-1	94450-17K50-YKV	COWLING, SIDE RR RH (BLACK)	1	BODY COLOR: YKV
7-2	94450-17K50-4TX	COWLING, SIDE RR RH (BLACK)	1	BODY COLOR: 4TX
8-1	68680-17K40-CRU	.TAPE SET, SIDE COWL RR RH (BLACK)	1	BODY COLOR: YKV
8-2	68680-17K40-HSE	.TAPE SET, SIDE COWL RR RH (SILVER, BLACK)	1	BODY COLOR: 4TX
9-1	68685-17K40-CRU	.TAPE, SIDE COWL RR RH (BLACK)	1	BODY COLOR: YKV
9-2	68685-17K40-B9E	.TAPE, SIDE COWL RR RH	1	BODY COLOR: 4TX
10	94477-17K00	.CUSHION, SIDE REAR RH NO.1	1	
11-1	94460-17K50-YKV	COWLING, SIDE RR LH (BLACK)	1	BODY COLOR: YKV
11-2	94460-17K50-4TX	COWLING, SIDE RR LH (BLACK)	1	BODY COLOR: 4TX
12-1	68690-17K40-CRU	.TAPE SET, SIDE COWL RR LH (BLACK)	1	BODY COLOR: YKV
12-2	68690-17K40-HSE	.TAPE SET, SIDE COWL RR LH (SILVER, BLACK)	1	BODY COLOR: 4TX
13-1	68695-17K40-CRU	.TAPE, SIDE COWL RR LH (BLACK)	1	BODY COLOR: YKV
13-2	68695-17K40-B9E	.TAPE, SIDE COWL RR LH	1	BODY COLOR: 4TX
14	94487-17K00	.CUSHION, SIDE REAR LH NO.1	1	
15	09320-09016	CUSHION (9X18X9.5)	4	

FIG.485B

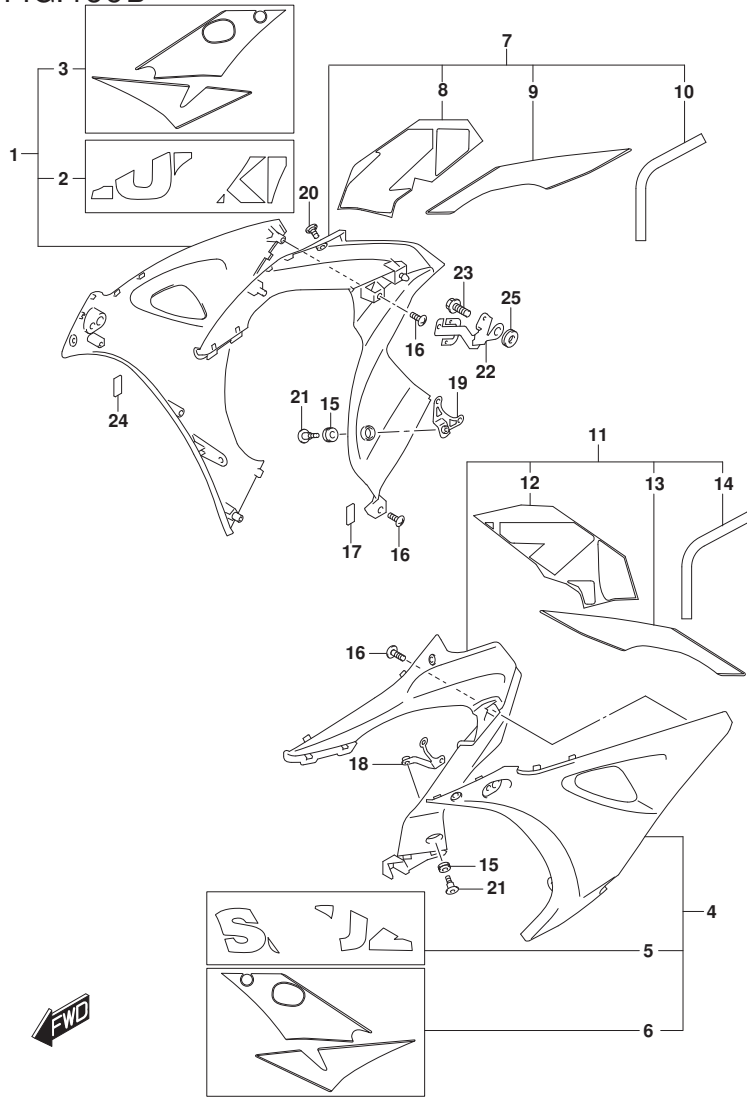


FIG.485B (1-G-7) SIDE COWLING (GSX-R1000RA)

REF NO.	PART NO.	DESCRIPTION	Q'TY	REMARKS
16	03541-0516A	SCREW	6	
17	94477-17K20	CUSHION, SIDE REAR RH NO.3	1	
18	94520-17K00	BRACKET, UNDER COWL LH	1	
19	94540-17K00	BRACKET, UNDER COWL RH	1	
20	09139-05091	SCREW (5X13)	4	
21	09139-06206	SCREW (6X20)	4	
22	94530-17K00	BRACKET, SIDE COWL RH	1	
23	01550-0616A	BOLT	1	
24	36930-60A10	COVER (30X45X2)	1	
25	94478-14J00	CUSHION, UNDER COWL RH	2	

FIG.485C

FIG.485C (1-G-8) SIDE COWLING (GSX-R1000ZA,GSX-R1000RZA)

REF NO.	PART NO.	DESCRIPTION	Q'TY	REMARKS
1	94470-17K60-YMD	COWLING COMP, SIDE RH (SILVER)	1	
2	68680-17K30-GUL	.TAPE SET, SIDE COWLING CTR RH (BLUE, SILVER)	1	
3	68685-17K30-B54	.EMBLEM, SIDE COWLING RH	1	
4	94480-17K60-YMD	COWLING COMP, SIDE LH (SILVER)	1	
5	68690-17K30-GUL	.TAPE, SIDE COWLING CENTER LH (BLUE, SILVER)	1	
6	68695-17K30-B54	.EMBLEM, SIDE COWLING LH	1	
7	94450-17K40-YMD	COWLING COMP, SIDE REAR RH (SILVER)	1	
8	68680-17K40-GUL	.TAPE SET, SIDE COWLING REAR RH (BLUE, SILVER)	1	
9	94477-17K00	.CUSHION, SIDE REAR, R NO.1	1	
10	94460-17K40-YMD	COWLING COMP, SIDE REAR LH (SILVER)	1	
11	68690-17K40-GUL	.TAPE SET, SIDE COWLING REAR LH (BLUE, SILVER)	1	
12	94487-17K00	.CUSHION, SIDE REAR LH NO.1	1	
13	09320-09016	CUSHION (9X18X9.5)	4	
14	03541-0516A	SCREW	6	
15	94477-17K20	CUSHION, SIDE REAR RH NO.3	1	
16	94520-17K00	BRACKET, UNDER COWL LH	1	
17	94540-17K00	BRACKET, UNDER COWL RH	1	
18	09139-05091	SCREW (5X13)	4	
19	09139-06206	SCREW (6X20)	4	
20	94530-17K00	BRACKET, SIDE COWL RH	1	
21	01550-0616A	BOLT	1	
22	36930-60A10	COVER (30X45X2)	1	
23	94478-14J00	CUSHION, UNDER COWL RH	2	

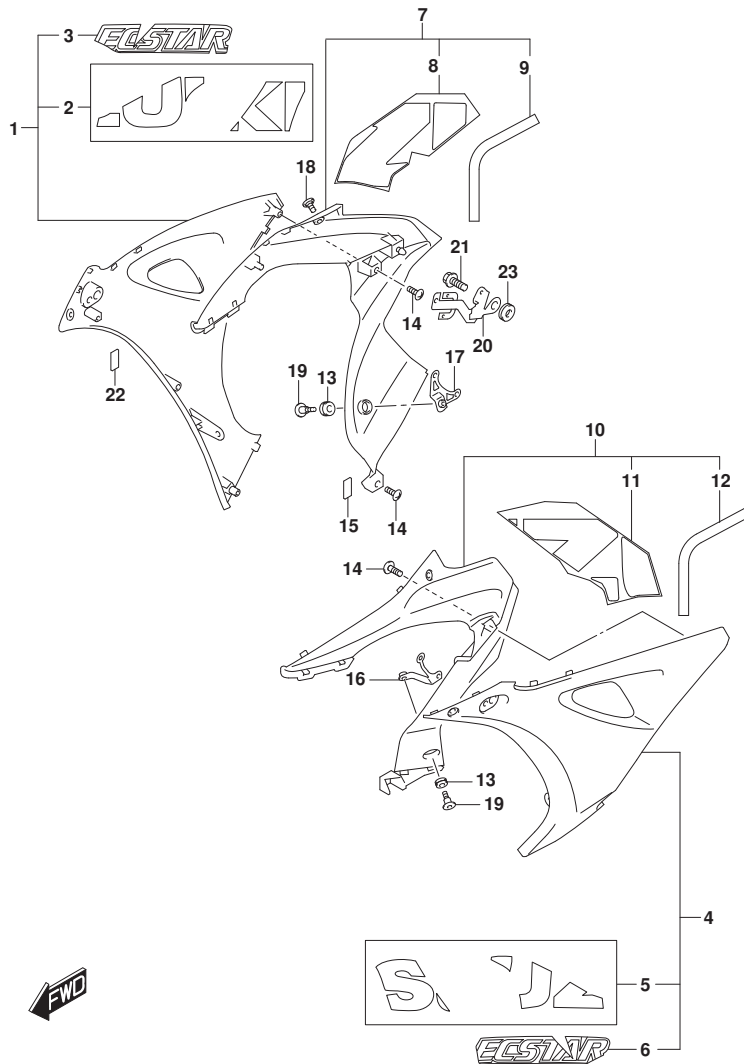


FIG.496G

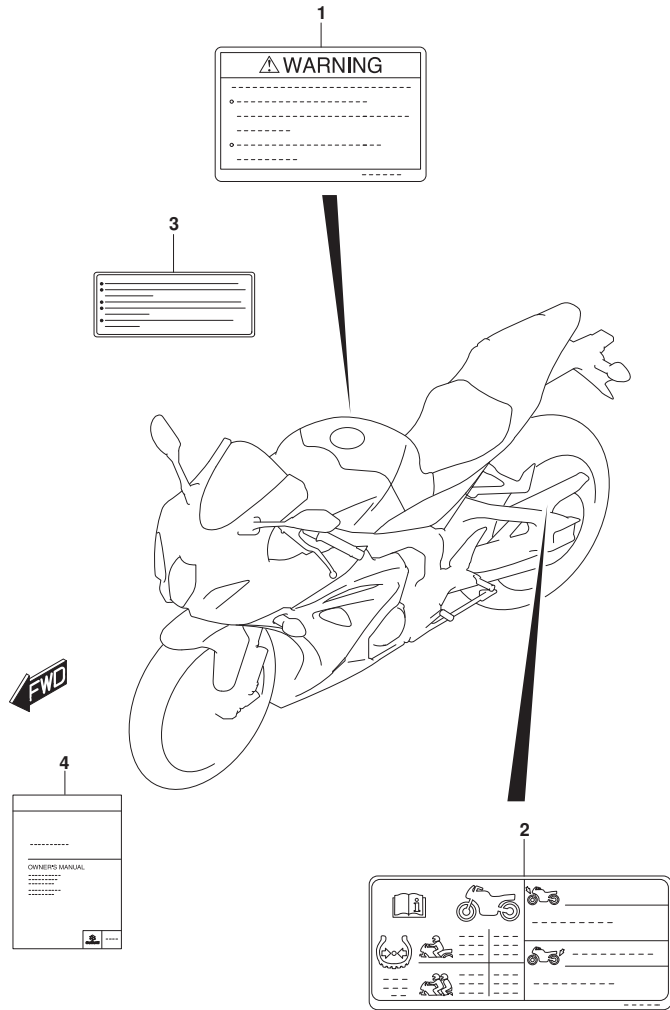


FIG.496G (1-G-9) LABEL

REF NO.	PART NO.	DESCRIPTION	Q'TY	REMARKS
1	68319-02K01	LABEL,GENERAL WARNING	1	
2	68332-17K50	LABEL,TIRE INFORMATION	1	
3	18803-45G01	LABEL,FUEL INFORMATION	1	
4	99011-17K54-01A	MANUAL,OWNER'S	1	

FIG.505A

FIG.505A (1-G-10) SEAT

REF NO.	PART NO.	DESCRIPTION	Q'TY	REMARKS
1	45100-17K03-W05	SEAT ASSY (BLACK)	1	
2	45149-37H00	.CUSHION	1	
3	09321-10002	.CUSHION (11.5X22X20)	6	
4	45220-04K20	BRACKET,STRIKER SUPPORT	1	
5	45241-17K00	SCREW,SEAT (6X20)	2	
6	45280-17K00	CABLE,SEAT LOCK	1	
7	45288-14F30	GUIDE,SEAT LOCK CABLE	1	
8	45289-11F00	PLATE,SEAT LOCK ASSY	1	
9	45300-17K01-W05	SEAT ASSY,PILLION (BLACK)	1	
10	45148-20G90	.CUSHION,SEAT MONT	2	
11	45290-17K00	.STRIKER,SEAT LOCK	1	
12	45380-17K01-W05	.BAND,PILLION SEAT GRIP (BLACK)	1	
13	09160-06126	.WASHER (6.5X14X2.0)	2	
14	08316-1006A	.NUT	2	
15	09251-09002	.CAP (OD:13.6)	2	
16	95700-14810	LOCK SET,SEAT	1	
17	08316-1006A	NUT	2	
18	96514-17K00	HEXAGON,SPANNER (5)	1	
19	96514-17K10	HEXAGON,SPANNER (4)	1	

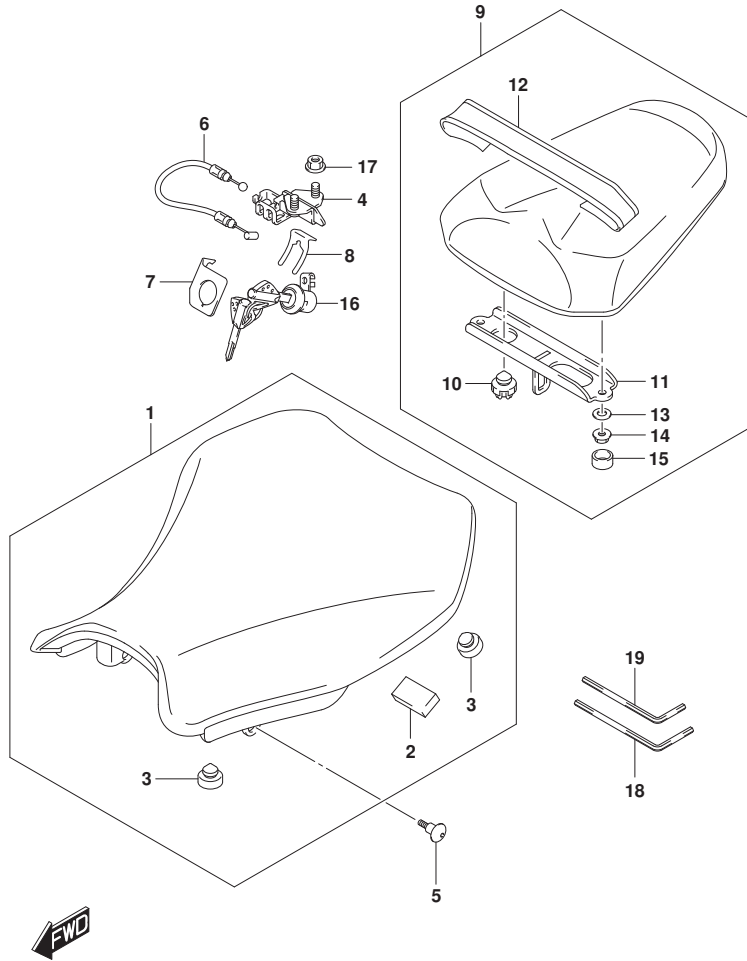


FIG.521A

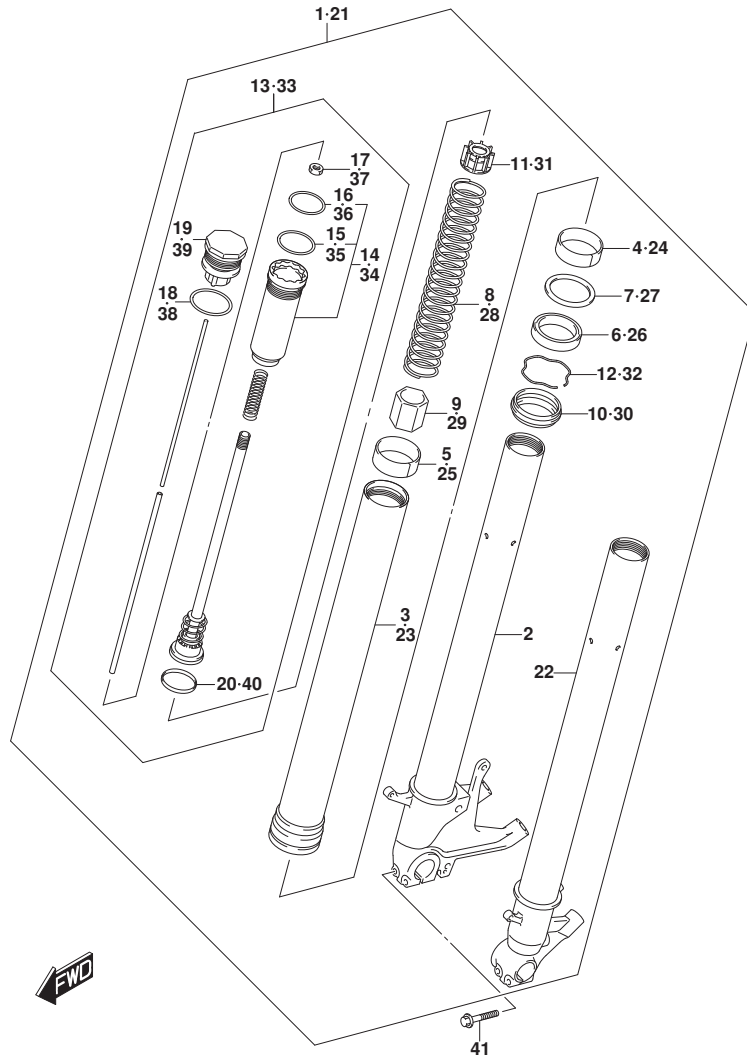


FIG.521A (1-G-11) FRONT FORK DAMPER (GSX-R1000A,GSX-R1000ZA)

REF NO.	PART NO.	DESCRIPTION	Q'TY	REMARKS
1	51103-17K01	DAMPER ASSY,FRONT RH	1	
2	51110-17K00	.TUBE,INNER RH	1	
3	51131-17K00	.TUBE,OUTER	1	
4	51152-47H00	.BUSH,GUIDE	1	
5	51152-47H10	.BUSH,SLIDE	1	
6	51153-47H00	.SEAL,OIL	1	
7	51168-29G00	.SPACER,SEAL	1	
8	51171-47H20	.SPRING	1	
9	51176-47H20	.COLLAR,SPRING	1	
10	51173-27G00	.SEAL,DUST	1	
11	51175-47H00	.COLLAR,SPRING	1	
12	51556-38B00	.RING,STOPPER	1	
13	52110-17K00	.ROD, PISTON	1	
14	51174-17K00	..CASE,ROD GUIDE	1	
15	51118-47H00	...RING,PISTON	1	
16	51187-47H10	...O-RING	1	
17	51827-29G00	..NUT	1	
18	51187-47H00	..O-RING	1	
19	51189-17K00	..BOLT	1	
20	51118-47H20	..RING,PISTON	1	
21	51104-17K01	DAMPER ASSY,FRONT LH	1	
22	51120-17K00	.TUBE,INNER LH	1	
23	51131-17K00	.TUBE,OUTER	1	
24	51152-47H00	.BUSH,GUIDE	1	
25	51152-47H10	.BUSH,SLIDE	1	
26	51153-47H00	.SEAL,OIL	1	
27	51168-29G00	.SPACER,SEAL	1	
28	51171-47H20	.SPRING	1	
29	51176-47H20	.COLLAR,SPRING	1	
30	51173-27G00	.SEAL,DUST	1	
31	51175-47H00	.COLLAR,SPRING	1	
32	51556-38B00	.RING,STOPPER	1	
33	52110-17K00	.ROD, PISTON	1	
34	51174-17K00	..CASE,ROD GUIDE	1	
35	51118-47H00	...RING,PISTON	1	

FIG.521A

FIG.521A (1-G-12) FRONT FORK DAMPER (GSX-R1000A,GSX-R1000ZA)

REF NO.	PART NO.	DESCRIPTION	Q'TY	REMARKS
36	51187-47H10	...O-RING	1	
37	51827-29G00	..NUT	1	
38	51187-47H00	..O-RING	1	
39	51189-17K00	..BOLT	1	
40	51118-47H20	..RING,PISTON	1	
41	51321-36F00	BOLT	4	

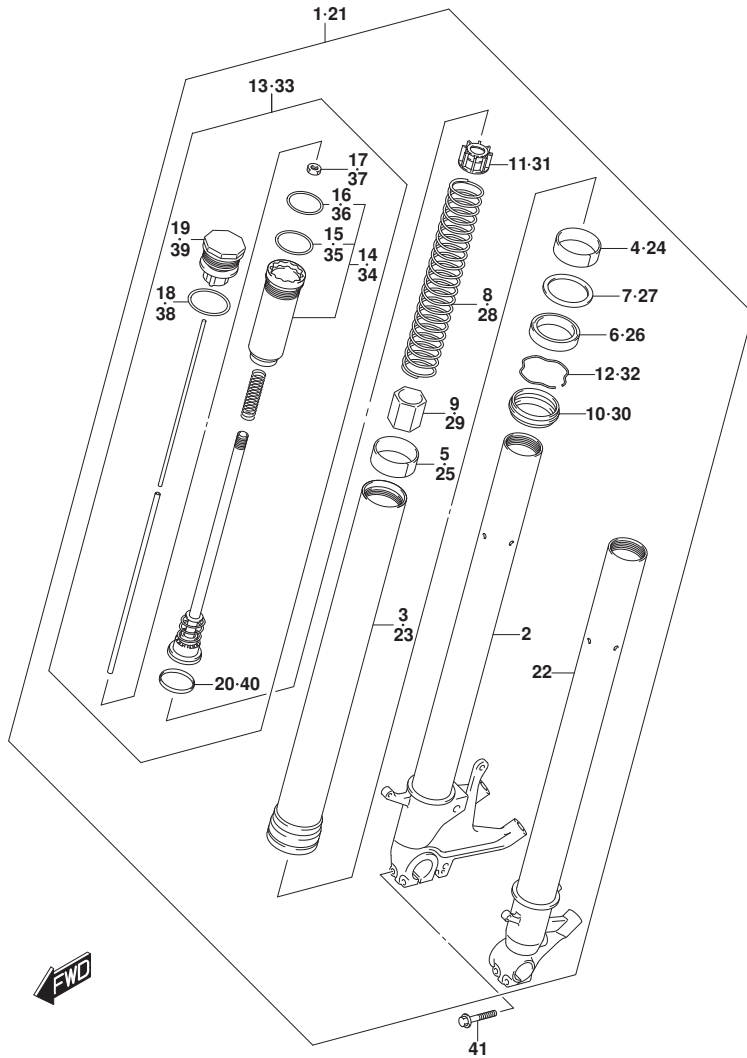


FIG.521B

FIG.521B (1-G-13) FRONT FORK DAMPER (GSX-R1000RA,GSX-R1000RZA)

REF NO.	PART NO.	DESCRIPTION	Q'TY	REMARKS
1	51103-17K31	DAMPER ASSY,FR RH	1	
2	51110-17K30	.TUBE,INNER RH	1	
3	51131-17K10	.TUBE,OUTER	1	
4	51152-47H00	.BUSH,GUIDE	1	
5	51153-27G00	.SEAL,OIL	1	
6	51168-29G00	.SPACER,SEAL	1	
7	51171-17K10	.SPRING	1	
8	51198-17K10	.SPRING COLLAR	1	
9	51173-27G00	.SEAL,DUST	1	
10	51175-17K10	.SPRING COLLAR	1	
11	51556-38B00	.RING,STOPPER	1	
12	51827-29G00	.NUT	1	
13	51187-47H00	.O-RING	1	
14	51189-17K30	.BOLT	1	
15	68281-17K10	.LABEL	1	
16	51104-17K31	DAMPER ASSY,FR LH	1	
17	51120-17K30	.TUBE,INNER LH	1	
18	51131-17K10	.TUBE,OUTER	1	
19	51152-47H00	.BUSH,GUIDE	1	
20	51153-27G00	.SEAL,OIL	1	
21	51168-29G00	.SPACER,SEAL	1	
22	51171-17K10	.SPRING	1	
23	51198-17K10	.SPRING COLLAR	1	
24	51173-27G00	.SEAL,DUST	1	
25	51175-17K10	.SPRING COLLAR	1	
26	51556-38B00	.RING,STOPPER	1	
27	51827-29G00	.NUT	1	
28	51187-47H00	.O-RING	1	
29	51189-17K30	.BOLT	1	
30	68281-17K10	.LABEL	1	
31	51321-36F00	BOLT	4	

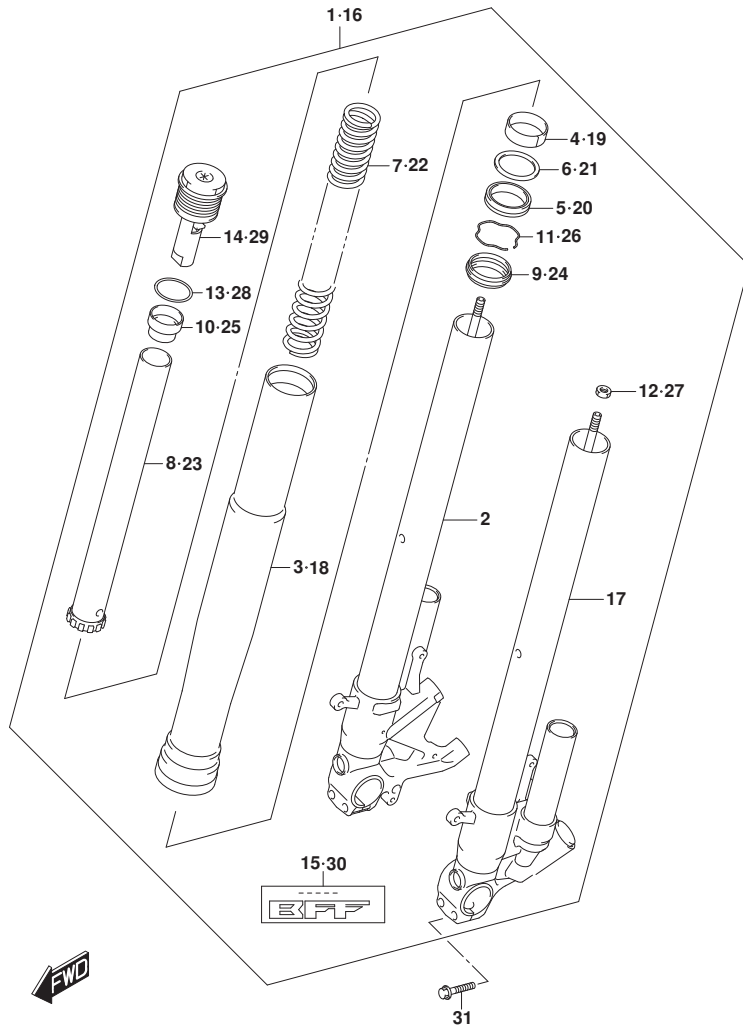


FIG.524A

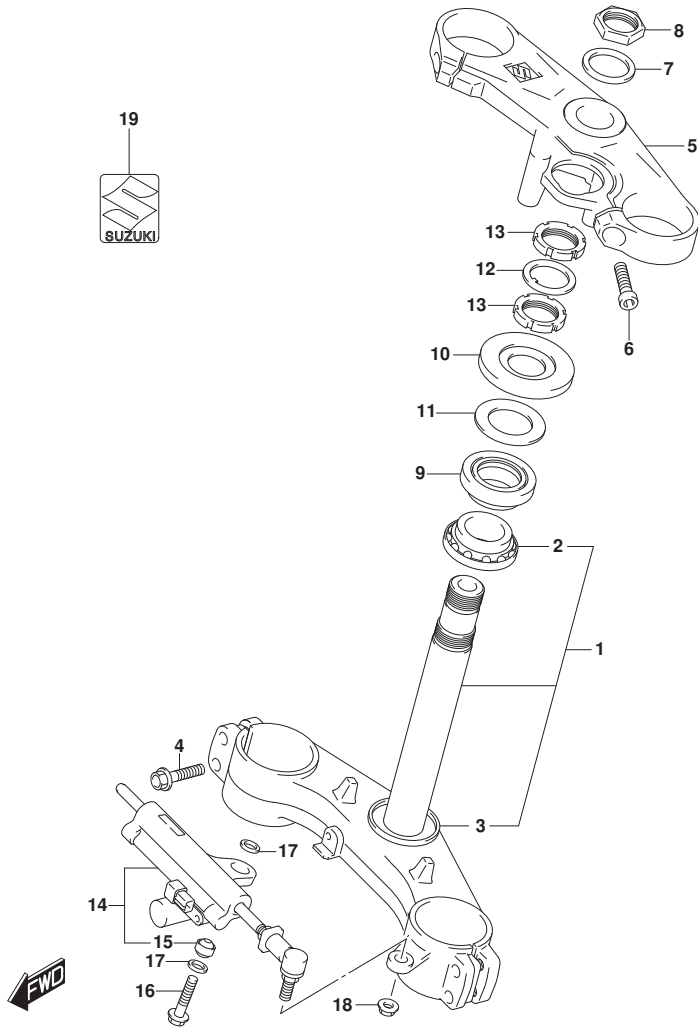


FIG.524A (1-G-14) STEERING STEM (GSX-R1000A,GSX-R1000ZA)

REF NO.	PART NO.	DESCRIPTION	Q'TY	REMARKS
1	51410-17K00	STEM,STEERING	1	
2	09267-30010	.BEARING (30X55X17)	1	
3	51644-12C00	.SEAL,STEERING LOWER (30.1X56X4)	1	
4	51328-27E30	BOLT,HOLDER AXLE (8X40)	4	
5	51311-47H00	HEAD,STEERING STEM	1	
6	51321-27E30	BOLT,HOLDER (8X25)	2	
7	51354-01H00	WASHER,STEM HEAD	1	
8	51353-01H00	NUT,STEM HEAD	1	
9	09267-30010	BEARING (30X55X17)	1	
10	51643-41G00	COVER,STEERING UPPER	1	
11	51644-12C00	SEAL,STEERING LOWER (30.1X56X4)	1	
12	51641-33E00	WASHER,STEERING STEM	1	
13	51631-33E00	NUT,STEERING STEM	2	
14	51750-21H31	DAMPER ASSY,STEERING	1	
15	09269-08003	.BEARING (8X17.5X11)	1	
16	09103-08391	BOLT (8X35)	1	
17	64339-14101	SEAL,PILLOW BALL,DUST	2	
18	08319-3108A	NUT	1	
19	68281-47HA0	EMBLEM,S	1	

FIG.524B

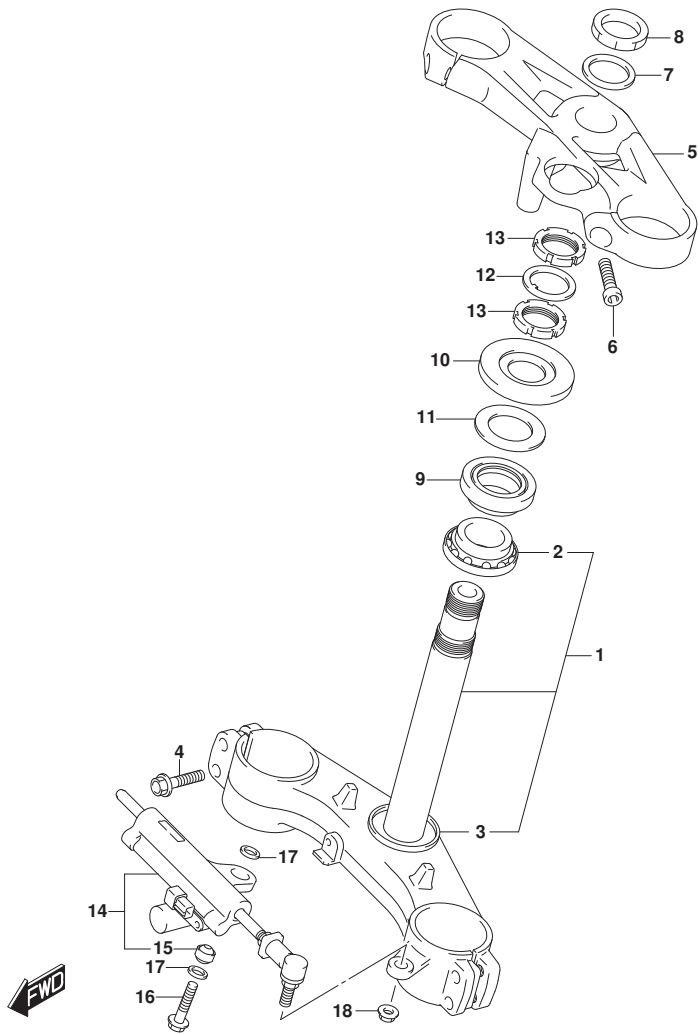


FIG.524B (1-G-15) STEERING STEM (GSX-R1000RA,GSX-R1000RZA)

REF NO.	PART NO.	DESCRIPTION	Q'TY	REMARKS
1	51410-17K00	STEM,STEERING	1	
2	09267-30010	.BEARING (30X55X17)	1	
3	51644-12C00	.SEAL,STEERING LOWER (30.1X56X4)	1	
4	51328-27E30	BOLT,HOLDER AXLE (8X40)	4	
5	51311-17K00	BRACKET, UPPER	1	
6	51321-27E30	BOLT,HOLDER (8X25)	2	
7	51354-01H00	WASHER,STEM HEAD	1	
8	51353-15J30	NUT,STEM HEAD	1	
9	09267-30010	BEARING (30X55X17)	1	
10	51643-41G00	COVER,STEERING UPPER	1	
11	51644-12C00	SEAL,STEERING LOWER (30.1X56X4)	1	
12	51641-33E00	WASHER,STEERING STEM	1	
13	51631-33E00	NUT,STEERING STEM	2	
14	51750-21H31	DAMPER ASSY,STEERING	1	
15	09269-08003	.BEARING (8X17.5X11)	1	
16	09103-08391	BOLT (8X35)	1	
17	64339-14101	SEAL,PILLOW BALL,DUST	2	
18	08319-3108A	NUT	1	

FIG.530A

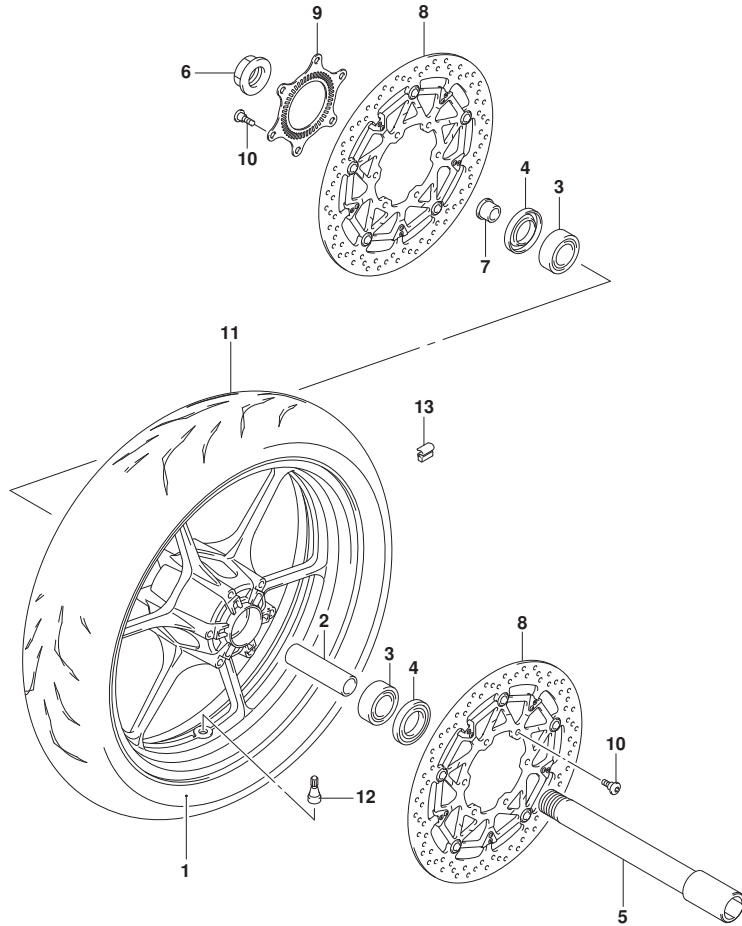


FIG.530A (1-G-16) FRONT WHEEL (GSX-R1000A)

REF NO.	PART NO.	DESCRIPTION	Q'TY	REMARKS
1	54111-17K00-019	WHEEL,FRONT (17M/CXMT3.50,BLAC K)	1	
2	54731-35F10	SPACER,FR HUB BEARING	1	
3	09262-25191	BEARING,FRONT HUB	2	
4	09285-32004	OIL SEAL (32X52X7)	2	
5	54711-47H00	AXLE,FRONT	1	
6	54712-47H00	NUT,FRONT AXLE	1	
7	54751-41G10	SPACER,FRONT AXLE RH	1	
8	59210-17K01	DISC,FRONT BRAKE	2	
9	54162-47H00	RING,SPEED SENSOR FR (48T)	1	
10	09106-06134	BOLT (6X23)	12	
11	55110-17K20	TIRE,FRONT (120/70ZR17M/C 58W)	1	
12	#43130-24A00	VALVE ASSY,WHEEL RIM (TR412)	1	
13-1	55411-22H00	BALANCER,WHEEL NO.1 (10G)	AR	
13-2	55412-22H00	BALANCER,WHEEL NO.2 (20G)	AR	
13-3	55413-22H00	BALANCER,WHEEL NO.3 (30G)	AR	

FIG.530B

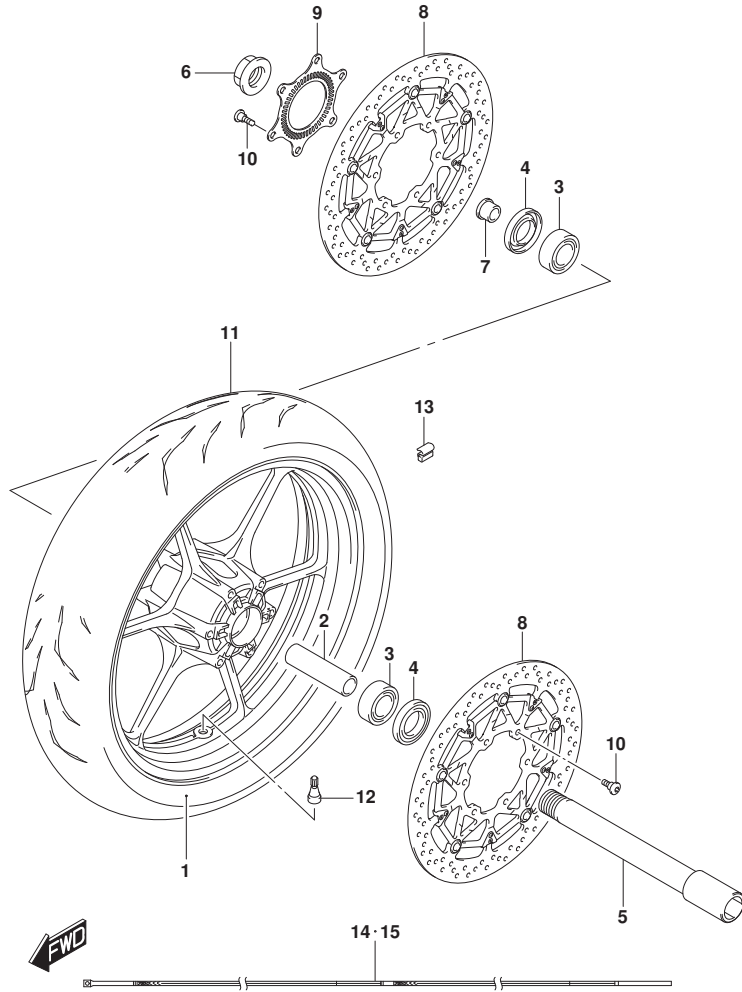


FIG.530B (1-H-2) FRONT WHEEL (GSX-R1000ZA,GSX-R1000RZA)

REF NO.	PART NO.	DESCRIPTION	Q'TY	REMARKS
1	54111-17K00-019	WHEEL,FRONT (17M/CXMT3.50,BLAC K)	1	
2	54731-35F10	SPACER,FR HUB BEARING	1	
3	09262-25191	BEARING,FRONT HUB	2	
4	09285-32004	OIL SEAL (32X52X7)	2	
5	54711-47H00	AXLE,FRONT	1	
6	54712-47H00	NUT,FRONT AXLE	1	
7	54751-41G10	SPACER,FRONT AXLE RH	1	
8	59210-17K01	DISC,FRONT BRAKE	2	
9	54162-47H00	RING,SPEED SENSOR FR (48T)	1	
10	09106-06134	BOLT (6X23)	12	
11	55110-17K20	TIRE,FRONT (120/70ZR17M/C 58W)	1	
12	#43130-24A00	VALVE ASSY,WHEEL RIM (TR412)	1	
13-1	55411-22H00	BALANCER,WHEEL NO.1 (10G)	AR	
13-2	55412-22H00	BALANCER,WHEEL NO.2 (20G)	AR	
13-3	55413-22H00	BALANCER,WHEEL NO.3 (30G)	AR	
14	68251-17K20-G7Z	TAPE,WHEEL RH (YELLOW,BLACK)	1	
15	68252-17K20-G7Z	TAPE,WHEEL LH (YELLOW,BLACK)	1	

FIG.530C

FIG.530C (1-H-3) FRONT WHEEL (GSX-R1000RA)

REF NO.	PART NO.	DESCRIPTION	Q'TY	REMARKS
1-1	54111-17K00-019	WHEEL,FRONT (17M/CXMT3.50,BLAC K)	1	BODY COLOR:4TX
1-2	54111-17K00-YPU	WHEEL,FRONT (GOLD)	1	BODY COLOR:YKV
2	54731-35F10	SPACER,FR HUB BEARING	1	
3	09262-25191	BEARING,FRONT HUB	2	
4	09285-32004	OIL SEAL (32X52X7)	2	
5	54711-47H00	AXLE,FRONT	1	
6	54712-47H00	NUT,FRONT AXLE	1	
7	54751-41G10	SPACER,FRONT AXLE RH	1	
8	59210-17K01	DISC,FRONT BRAKE	2	
9	54162-47H00	RING,SPEED SENSOR FR (48T)	1	
10	09106-06134	BOLT (6X23)	12	
11	55110-17K20	TIRE,FRONT (120/70ZR17M/C 58W)	1	
12	#43130-24A00	VALVE ASSY,WHEEL RIM (TR412)	1	
13-1	55411-22H00	BALANCER,WHEEL NO.1 (10G)	AR	
13-2	55412-22H00	BALANCER,WHEEL NO.2 (20G)	AR	
13-3	55413-22H00	BALANCER,WHEEL NO.3 (30G)	AR	
14	68251-14J00-B86	TAPE,WHEEL RH	1	BODY COLOR:4TX
15	68252-14J00-B86	TAPE,WHEEL LH	1	BODY COLOR:4TX

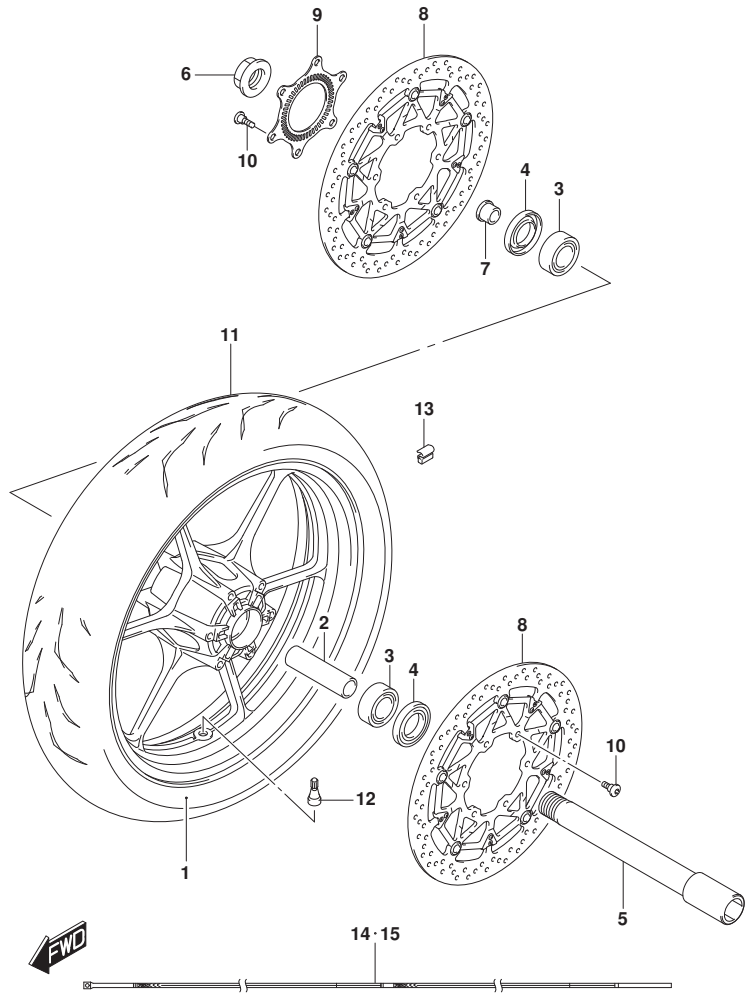


FIG.533A

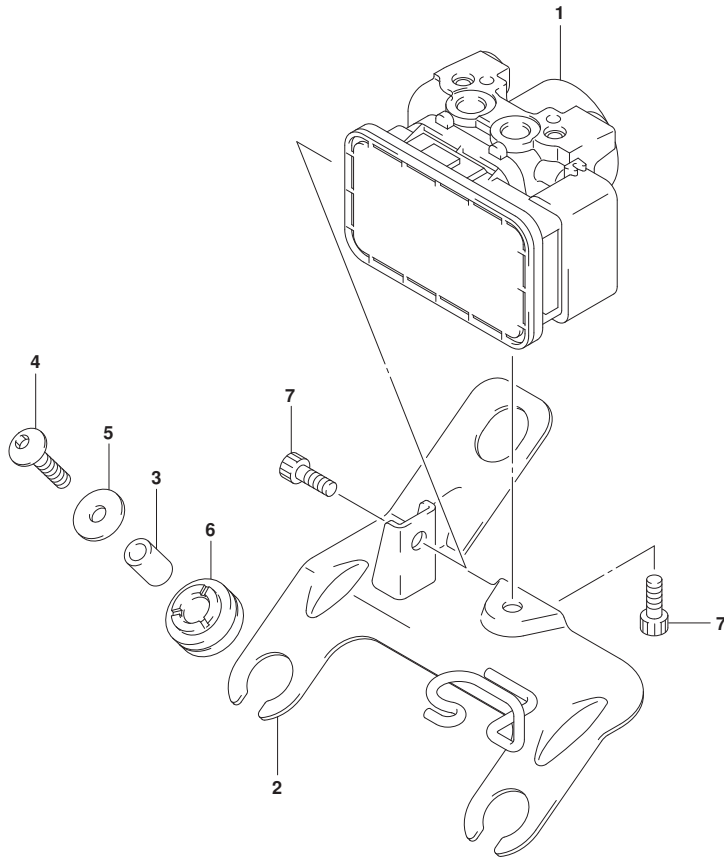


FIG.533A (1-H-4) HYDRAULIC UNIT (GSX-R1000A,GSX-R1000ZA)

REF NO.	PART NO.	DESCRIPTION	Q'TY	REMARKS
1	55610-17K00	UNIT ASSY, HYDRAULIC ABS	1	
2	55660-17K00	HOLDER, HYDR UNIT ABS	1	
3	55662-17K00	SPACER, HYDR UNIT MTG	3	
4	09139-06207	BOLT, HYDR UNIT MTG (6X30)	3	
5	09160-06088	WASHER (6.5X20X1.6)	3	
6	09320-10066	RUBBER	3	
7	07130-0612A	BOLT	2	



FIG.533B

FIG.533B (1-H-5) HYDRAULIC UNIT (GSX-R1000RA,GSX-R1000RZA)

REF NO.	PART NO.	DESCRIPTION	Q'TY	REMARKS
1	55610-17K20	UNIT ASSY, HYDRAULIC ABS	1	
2	55660-17K00	HOLDER, HYDR UNIT ABS	1	
3	55662-17K00	SPACER, HYDR UNIT MTG	3	
4	09139-06207	BOLT, HYDR UNIT MTG (6X30)	3	
5	09160-06088	WASHER (6.5X20X1.6)	3	
6	09320-10066	RUBBER	3	
7	07130-0612A	BOLT	2	

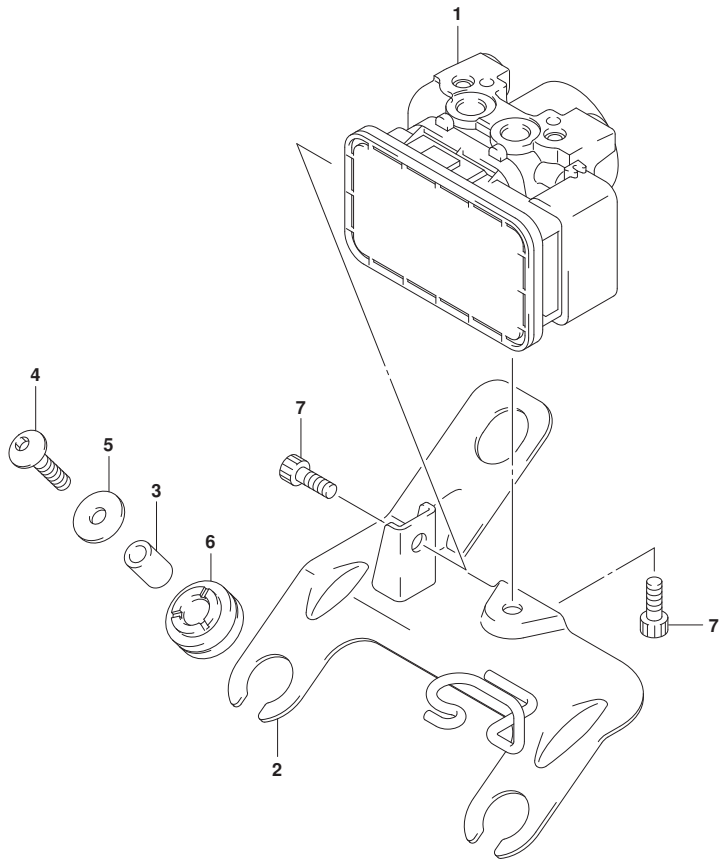


FIG.534A

FIG.534A (1-H-6) BODY ELECTRICAL (GSX-R1000A,GSX-R1000ZA)

REF NO.	PART NO.	DESCRIPTION	QTY	REMARKS
1	55710-17K00	SENSOR,FR WHEEL SPEED	1	
2	55731-15H00	CLAMP,ABS SENSOR FR	2	
3	55750-17K20	SENSOR,INERTIAL	1	
4	55760-17K10	HOLDER,INERIAL SENSOR	1	
5	55763-17K00	RUBBER,INERTIAL SENSOR MTG	3	
6	55770-17K00	BRACKET,SENSOR HOLDER	1	
7	55772-17K00	SPACER,SENSOR HOLDER BRKT	3	
8	65710-17K00	SENSOR,RR WHEEL SPEED	1	
9	09139-06139	SCREW (6X16)	3	
10	09139-06208	BOLT,ACCEL SENSOR ASSY BRKT	3	
11	09180-06331	SPACER (6.2X8.4X10.9)	3	
12	09408-00101	CLIP	1	
13	09408-00266	CLAMP	3	
14	09408-00266	CLAMP	5	
15	01547-0612B	BOLT	1	
16	01547-0616B	BOLT	2	
17	01547-0616B	BOLT	1	
18	07120-0616A	BOLT	2	
19	08316-1006A	NUT	3	

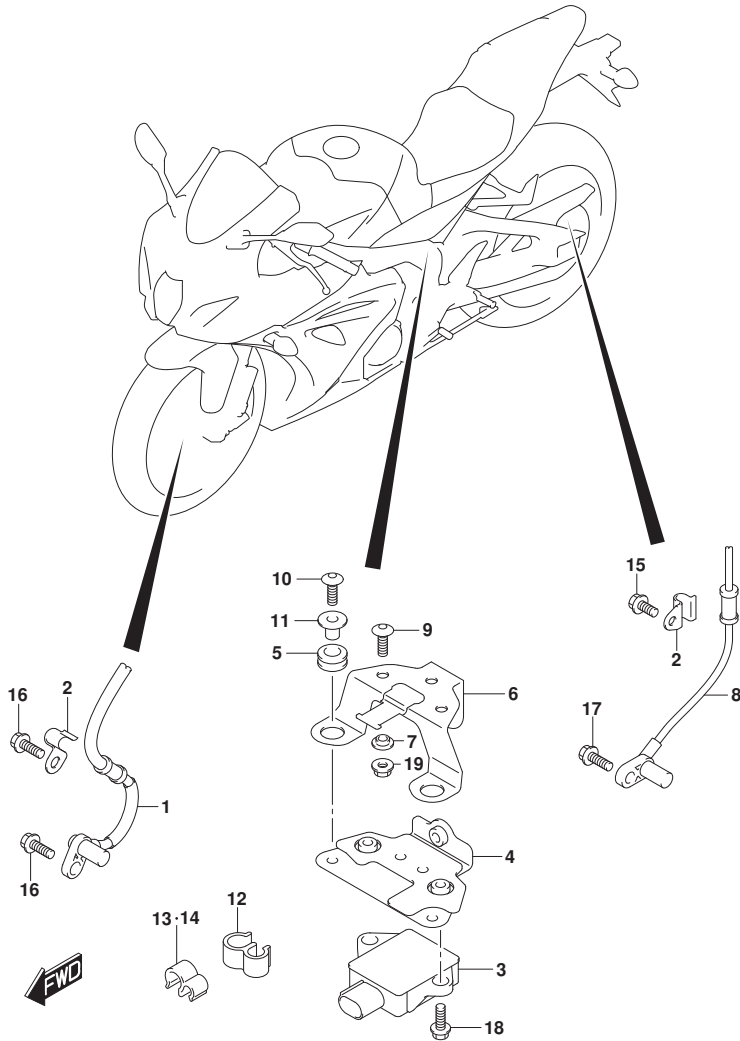


FIG.534B

FIG.534B (1-H-7) BODY ELECTRICAL (GSX-R1000RA,GSX-R1000RZA)

REF NO.	PART NO.	DESCRIPTION	Q'TY	REMARKS
1	55710-17K20	SENSOR,FR WHEEL SPEED	1	
2	55731-15H00	CLAMP,ABS SENSOR FR	1	
3	55750-17K20	SENSOR,INERTIAL	1	
4	55760-17K10	HOLDER,INERTIAL SENSOR	1	
5	55763-17K00	RUBBER,INERTIAL SENSOR MTG	3	
6	55770-17K00	BRACKET,SENSOR HOLDER	1	
7	55772-17K00	SPACER,SENSOR HOLDER BRKT	3	
8	65710-17K00	SENSOR,RR WHEEL SPEED	1	
9	09139-06139	SCREW (6X16)	3	
10	09139-06208	BOLT,ACCEL SENSOR ASSY BRKT	3	
11	09180-06331	SPACER (6.2X8.4X10.9)	3	
12	09408-00101	CLIP	1	
13	09408-00266	CLAMP	3	
14	09408-00266	CLAMP	5	
15	01547-0612B	BOLT	1	
16	01547-0616B	BOLT	2	
17	01547-0616B	BOLT	1	
18	07120-0616A	BOLT	2	
19	08316-1006A	NUT	3	
20	55731-17K00	CLAMP,SENSOR LEAD	1	

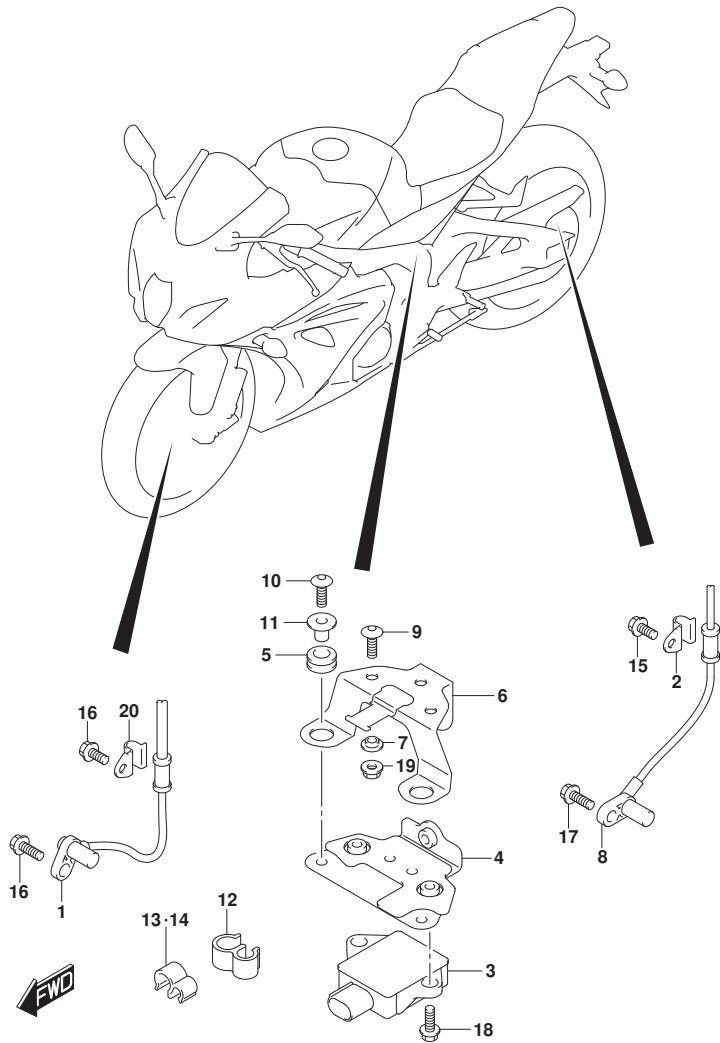


FIG.535A

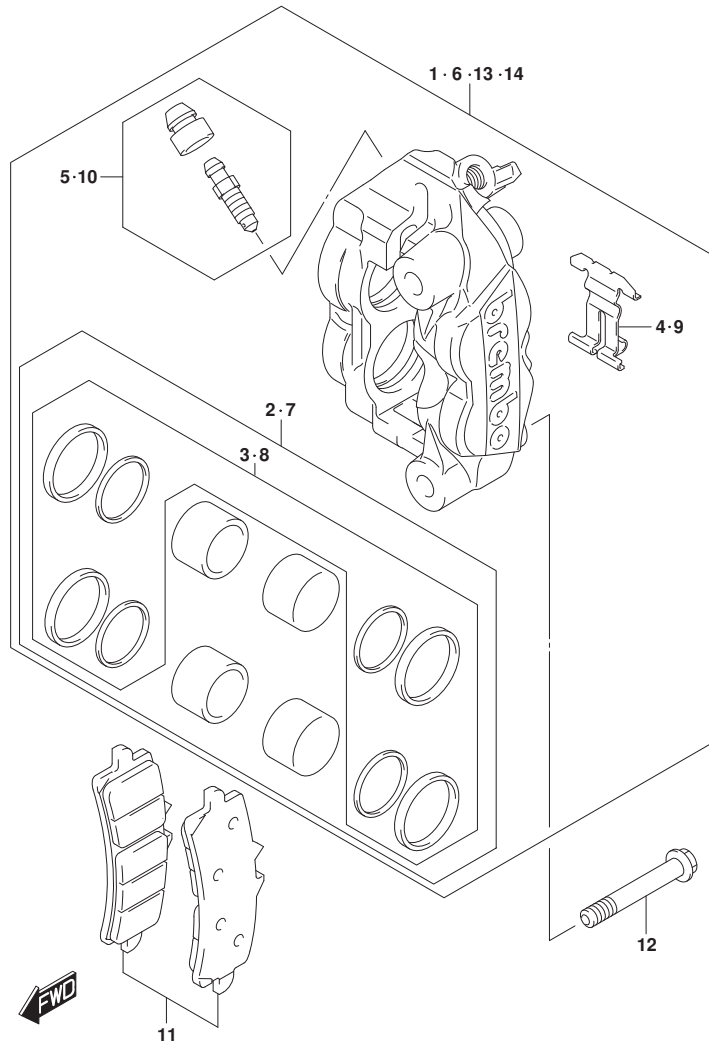


FIG.535A (1-H-8) FRONT CALIPER

REF NO.	PART NO.	DESCRIPTION	QTY	REMARKS
1	59300-17K00-999	CALIPER ASSY,FRONT LH	1	
2	59100-14810	.PISTON SET	1	
3	59100-14820	..SEAL SET,PISTON	1	
4	59151-14J00	.SPRING	1	
5	59100-14840	.BLEEDER SET	1	
6	59100-17K00-999	CALIPER ASSY,FRONT RH	1	
7	59100-14810	.PISTON SET	1	
8	59100-14820	..SEAL SET,PISTON	1	
9	59100-14840	.BLEEDER SET	1	
10	59151-14J00	.SPRING	1	
11	59100-14870	PAD SET	2	
12	09103-10450	BOLT (10X70)	4	

FIG.536A

FIG.536A (1-H-9) FRONT BRAKE HOSE (GSX-R1000A,GSX-R1000ZA)

REF NO.	PART NO.	DESCRIPTION	Q'TY	REMARKS
1	59200-17K21	HOSE	1	
2	59240-17K20	HOSE,CLPR R TO CLPR LH	1	
3	59270-17K00	CLAMP,FRONT BRAKE HOSE	1	
4	59400-17K41	HOSE	1	
5	09161-10009	WASHER (10X15X1.5)	11	
6	09360-10062	UNION (10X1.25X22)	2	
7	09360-10042	UNION (10X1.25X22)	2	
8	09360-10069	UNION	1	
9	09403-07409	CLAMP,FR BRAKE PIPE	1	
10	09403-16412	CLAMP	1	
11	01547-0612A	BOLT	1	
12	01550-0612A	BOLT	1	

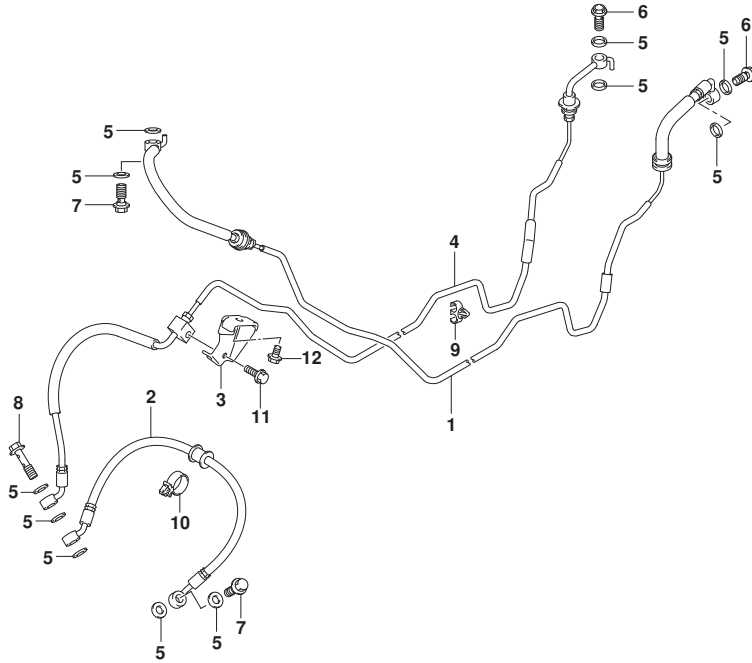


FIG.536B

FIG.536B (1-H-10) FRONT BRAKE HOSE (GSX-R1000RA,GSX-R1000RZA)

REF NO.	PART NO.	DESCRIPTION	Q'TY	REMARKS
1	59200-17K41	HOSE ASSY,FR MASTER TO UNIT	1	
2	59240-17K41	HOSE,CLPR R TO CLPR LH	1	
3	59270-17K00	CLAMP,FRONT BRAKE HOSE	1	
4	59400-17K61	HOSE ASSY,UNIT TO FR CLPR	1	
5	09161-10009	WASHER (10X15X1.5)	11	
6	09360-10062	UNION (10X1.25X22)	2	
7	09360-10042	UNION (10X1.25X22)	2	
8	09360-10069	UNION	1	
9	09403-07409	CLAMP,FR BRAKE PIPE	1	
10	09403-16412	CLAMP	1	
11	01547-0612A	BOLT	1	
12	01550-0612A	BOLT	1	

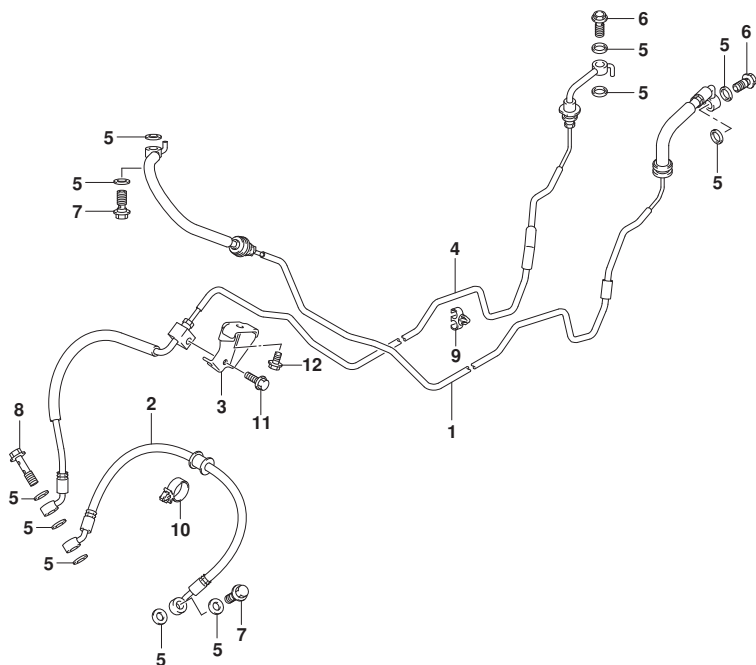


FIG.537A

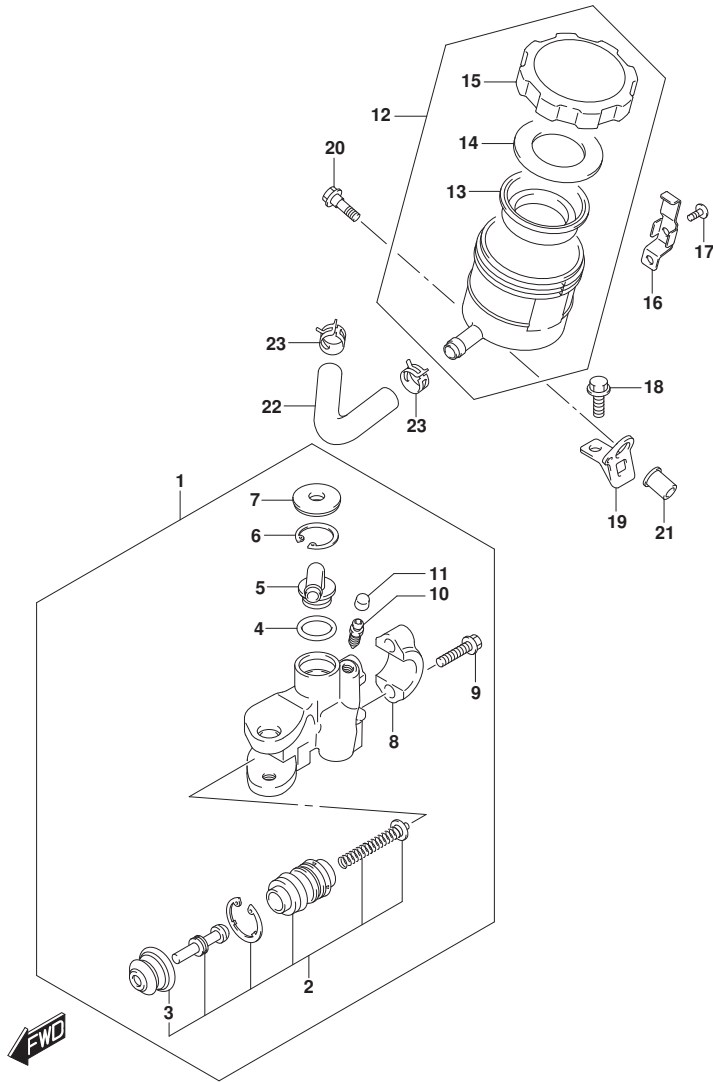


FIG.537A (1-H-11) FRONT MASTER CYLINDER

REF NO.	PART NO.	DESCRIPTION	Q'TY	REMARKS
1	59600-17K00	CYLINDER ASSY,FR MASTER	1	
2	59600-17810	.PISTON/CUP SET	1	
3	59666-29G00	.BOOT	1	
4	69686-34200	.O RING	1	
5	59672-17C00	.CONNECTOR	1	
6	69674-00B20	.CIRCLIP	1	
7	59673-17C00	.COVER,DUST	1	
8	59671-01H00	.HOLDER	1	
9	59675-02FA0	.BOLT (6X22)	2	
10	59121-01A00	.BLEEDER	1	
11	59122-46H00	.CAP,BLEEDER	1	
12	59740-47H00	TANK ASSY,RESERVOIR	1	
13	59667-18441	.DIAPHRAGM	1	
14	59668-18441	.PLATE,DIAPHRAGM	1	
15	59669-07D00	.CAP	1	
16	59743-17C00	PLATE,RESERVOIR TANK CAP	1	
17	02142-0410A	SCREW	1	
18	09111-05006	BOLT (5X17)	1	
19	59751-47H20	BRACKET,FR RESERVOIR TANK	1	
20	01547-0612B	BOLT	1	
21	09159-05048	NUT	1	
22	59731-47H00	HOSE,FRONT RESERVOIR TANK	1	
23	59735-17C00	CLAMP,RESERVOIR TANK,FRONT	2	

FIG.541A

FIG.541A (1-H-12) REAR SWINGARM (GSX-R1000RA,GSX-R1000RZA)

REF NO.	PART NO.	DESCRIPTION	Q'TY	REMARKS
1	61000-17K01-YAP	SWINGARM ASSY,REAR (BLACK)	1	
2	09263-27015	.BEARING (27X35X35)	2	
3	09263-20070	.BEARING (20X27X30)	1	
4	61281-41G00	.SPACER,RR SWG PVT CTR	1	
5	61124-41G00	PLATE,RR SWGARM BRKT	1	
6	09125-06060	SCREW (6X12)	1	
7	61251-41G00	SPACER,RR SWGARM PIVOT BEARING	2	
8	61211-17K00	SHAFT,RR SWGARM PIVOT	1	
9	09159-20006	NUT	1	
10	61273-17K00	BUFFER,CHAIN TOUCH DEFENSE	1	
11	09139-06226	SCREW,CHAIN BUFFER (6X17.8)	3	
12	61311-21H00	CASE,CHAIN	1	
13	09139-06225	BOLT,CHAIN CASE (6X12)	2	
14	09409-08308	CLIP (7.6X25.7)	1	
15	61446-40F00	ADJUSTER,CHAIN LH	1	
16	61445-40F00	ADJUSTER,CHAIN RH	1	
17	09100-08305	BOLT (8X60)	2	
18	08316-1008A	NUT	2	
19	61212-17K00	BOSS,RR SWGARM PIVOT RH	1	
20	61214-17K00	BOSS,RR SWGARM PIVOT LH	1	
21	61214-42E10	NUT,RR SWGARM PIVOT BOLT	1	
22	61213-41G00	NUT,RR SWGARM PIVOT BOSS RH	1	
23	61215-41G00	NUT,RR SWGARM PIVOT BOSS LH	1	
24	61216-17K00	CAP,RR SWGARM PVT	1	
25	61217-17K00	SCREW,RR SWGARM PVT BOSS	3	

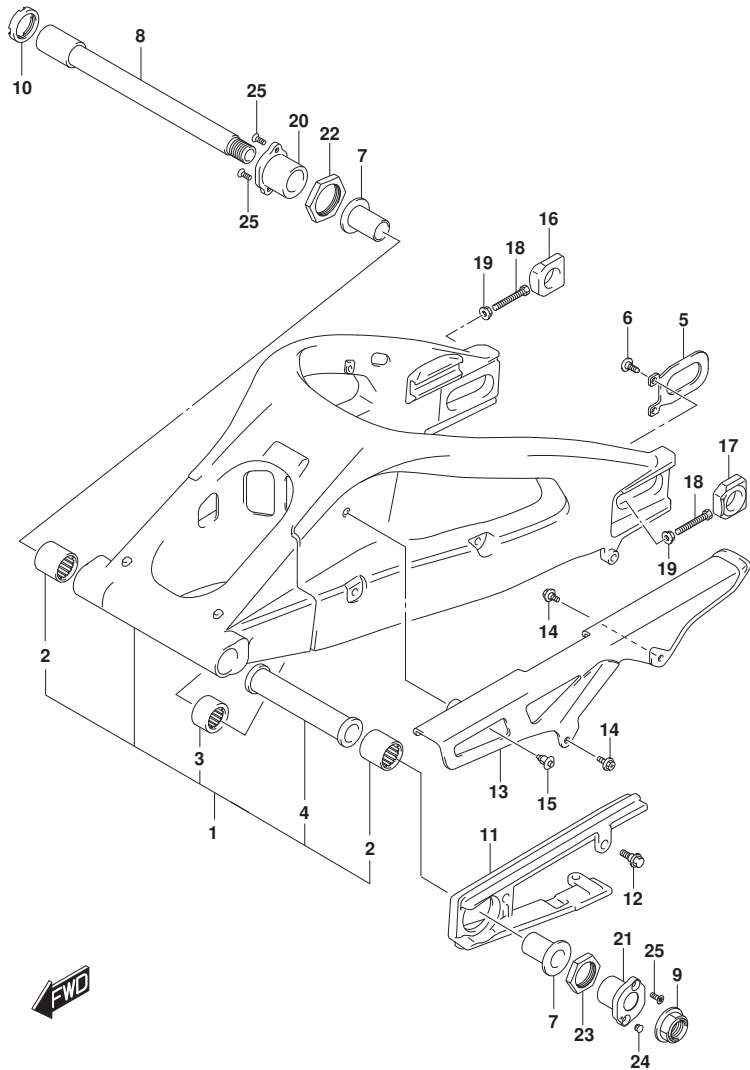


FIG.541B

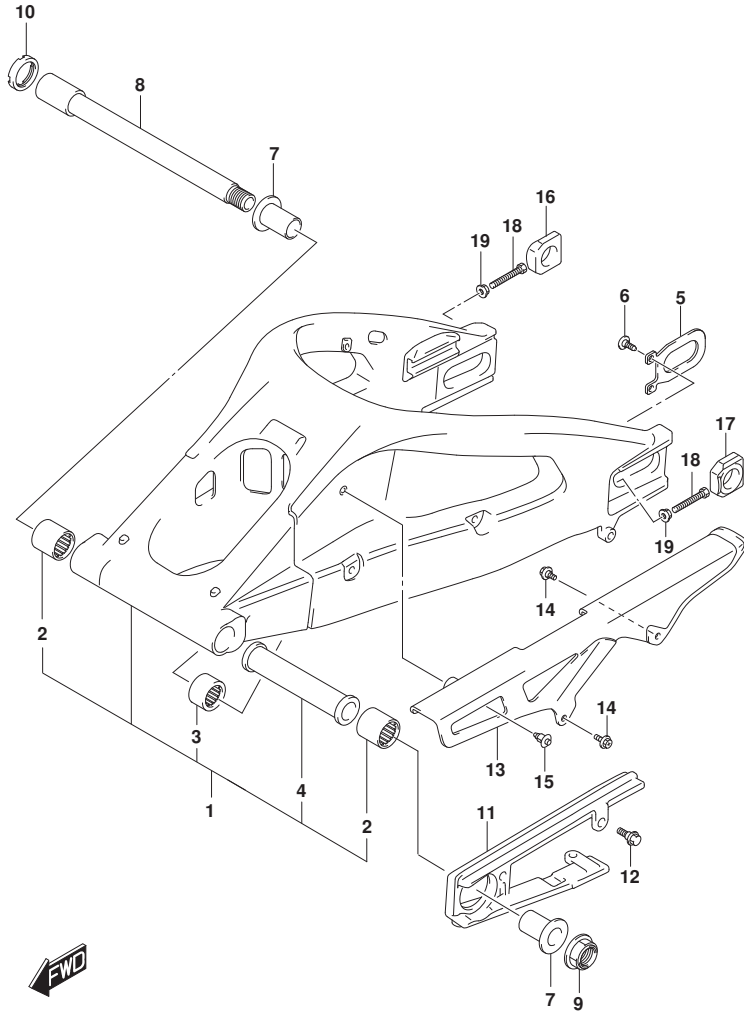


FIG.541B (1-H-13) REAR SWINGARM (GSX-R1000A,GSX-R1000ZA)

REF NO.	PART NO.	DESCRIPTION	Q'TY	REMARKS
1	61000-17K01-YAP	SWINGARM ASSY,REAR (BLACK)	1	
2	09263-27015	.BEARING (27X35X35)	2	
3	09263-20070	.BEARING (20X27X30)	1	
4	61281-41G00	.SPACER,RR SWG PVT CTR	1	
5	61124-41G00	PLATE,RR SWGARM BRKT	1	
6	09125-06060	SCREW (6X12)	1	
7	61251-41G00	SPACER,RR SWGARM PIVOT BEARING	2	
8	61211-01H00	SHAFT,RR SWGARM PIVOT	1	
9	09159-20006	NUT	1	
10	61214-42E10	NUT,RR SWGARM PIVOT BOLT	1	
11	61273-17K00	BUFFER,CHAIN TOUCH DEFENSE	1	
12	09139-06226	SCREW,CHAIN BUFFER (6X17.8)	3	
13	61311-21H00	CASE,CHAIN	1	
14	09139-06225	BOLT,CHAIN CASE (6X12)	2	
15	09409-08308	CLIP (7.6X25.7)	1	
16	61446-40F00	ADJUSTER,CHAIN LH	1	
17	61445-40F00	ADJUSTER,CHAIN RH	1	
18	09100-08305	BOLT (8X60)	2	
19	08316-1008A	NUT	2	

FIG.543A

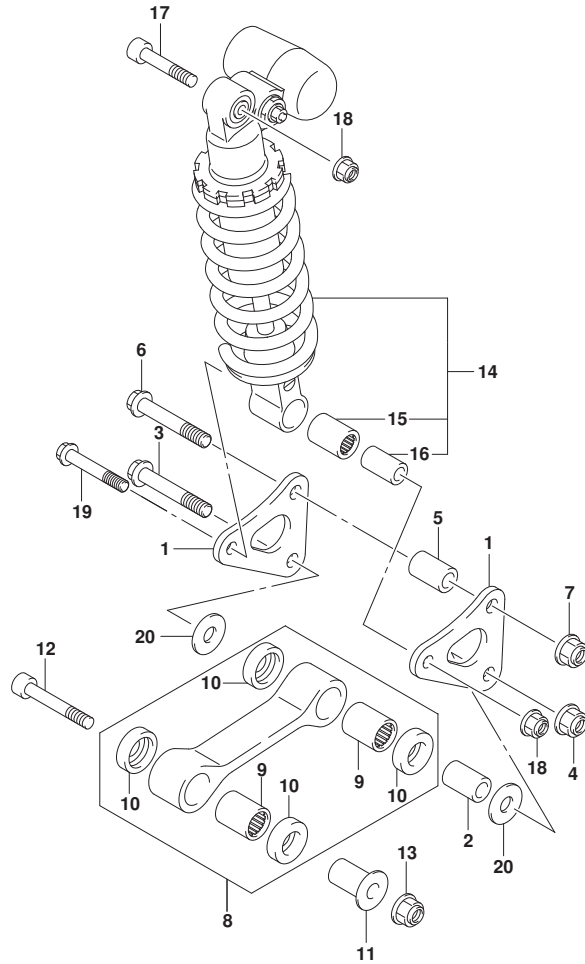


FIG.543A (1-H-14) REAR CUSHION LEVER (GSX-R1000A,GSX-R1000ZA)

REF NO.	PART NO.	DESCRIPTION	Q'TY	REMARKS
1	62611-17K00	LEVER,REAR CUSHION	2	
2	62317-00B20	SPACER,RR CUSHION LEVER CTR	1	
3	62658-47H00	BOLT,RR CUSHION LEVER	1	
4	09159-12056	NUT	1	
5	62317-44B00	SPACER,RR CUSHION LEVER FR	1	
6	62658-47H00	BOLT,RR CUSHION LEVER	1	
7	09159-12056	NUT	1	
8	62600-47820	ROD SET,RR CUSHION	1	
9	09263-20063	.BEARING (20X27X20)	2	
10	09283-20031	.OIL SEAL (20X27X5)	4	
11	62647-47H00	SPACER,RR CUSHION ROD FR	1	
12	62658-04K00	BOLT,RR CUSHION ROD	1	
13	09159-12056	NUT	1	
14	62100-17810-019	ABSORBER ASSY,REAR SHOCK (BLAC K)	1	
15	09263-17046	.BEARING (17X24X32)	1	
16	62317-47H00	.SPACER,RR SHOCK ABS LOWER	1	
17	62658-04K10	BOLT,RR SHOCK ABS UPPER	1	
18	09159-10115	NUT (M10)	2	
19	62313-47H00	BOLT,RR SHOCK ABS LOWER (10X55)	1	
20	09160-12037	WASHER (12X34X1.0)	2	

FIG.543C

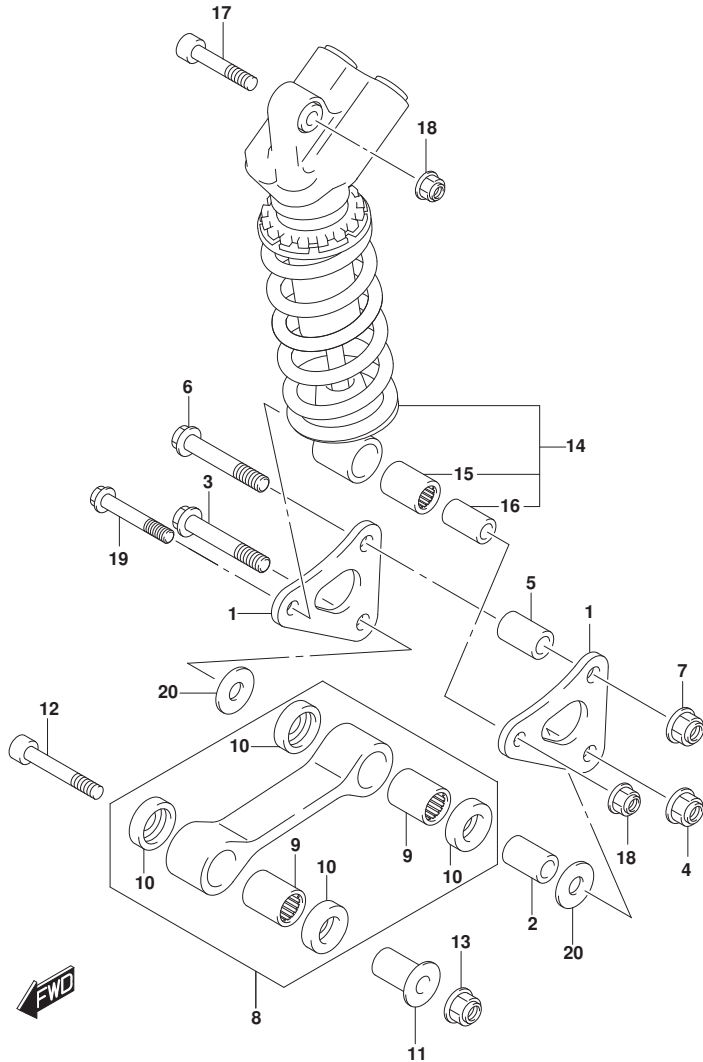


FIG.543C (1-H-15) REAR CUSHION LEVER (GSX-R1000RA,GSX-R1000RZA)

REF NO.	PART NO.	DESCRIPTION	QTY	REMARKS
1	62611-17K00	LEVER,RR CUSHION	2	
2	62317-00B20	SPACER,RR CUSHION LEVER CTR	1	
3	62658-47H00	BOLT,RR CUSHION LEVER	1	
4	09159-12056	NUT	1	
5	62317-44B00	SPACER,RR CUSHION LEVER FR	1	
6	62658-47H00	BOLT,RR CUSHION LEVER	1	
7	09159-12056	NUT	1	
8	62600-47820	ROD SET,RR CUSHION	1	
9	09263-20063	.BEARING (20X27X20)	2	
10	09283-20031	.OIL SEAL (20X27X5)	4	
11	62647-47H00	SPACER,RR CUSHION ROD FR	1	
12	62658-04K00	BOLT,RR CUSHION ROD	1	
13	09159-12056	NUT	1	
14	62100-17870-019	ABSORBER ASSY,RR SHOCK (BLACK)	1	
15	09263-17046	.BEARING (17X24X32)	1	
16	62317-47H00	.SPACER,RR SHOCK ABS LOWER	1	
17	62658-04K10	BOLT,RR SHOCK ABS UPPER	1	
18	09159-10115	NUT (M10)	2	
19	62313-47H00	BOLT,RR SHOCK ABS LOWER (10X55	1	
)		
20	09160-12037	WASHER (12X34X1.0)	2	

FIG.550A

FIG.550A (1-H-16) REAR WHEEL (GSX-R1000A)

REF NO.	PART NO.	DESCRIPTION	Q'TY	REMARKS
1	64111-17K00-019	WHEEL,REAR (17M/CXMT6.00,BLACK)	1	
2	64731-35F10	SPACER,REAR HUB BEARING	1	
3	09262-28062	BEARING,REAR WHEEL HUB (28X52X12)	2	
4	09284-37002	SEAL,REAR WHEEL BEARING RH(37X52X8)	1	
5	69211-47H00	DISC,REAR BRAKE	1	
6	09106-08160	BOLT (8X21)	5	
7	64711-49G00	AXLE,REAR	1	
8	64721-17K00	NUT,REAR AXLE	1	
9	09160-25070	WASHER (25.2X42X3.2)	1	
10	64741-35F10	SPACER,REAR AXLE RH	1	
11	64751-47H10	SPACER,REAR AXLE LH	1	
12	64610-04K00	DRUM,REAR SPROCKET	1	
13	64733-35F00	RETAINER,REAR SPROCKET DRUM	1	
14	09262-32024	BEARING,RR SPROCKET DRUM (32X65X17)	1	
15	09285-39001	OIL SEAL (39X65X7)	1	
16	64651-17K00	ABSORBER,REAR HUB SHOCK	6	
17	64511-15J00	SPROCKET,REAR (NT:45)	1	
18	08319-3110A	NUT	6	
19	65110-17K20	TIRE,REAR (190/55ZR17M/C 75W)	1	
20	#43130-24A00	VALVE ASSY,WHEEL RIM (TR412)	1	
21	64162-47H00	RING,SPEED SENSOR RR (50T)	1	
22	07130-0512A	BOLT	3	
23-1	55411-22H00	BALANCER,WHEEL NO.1 (10G)	AR	
23-2	55412-22H00	BALANCER,WHEEL NO.2 (20G)	AR	
23-3	55413-22H00	BALANCER,WHEEL NO.3 (30G)	AR	

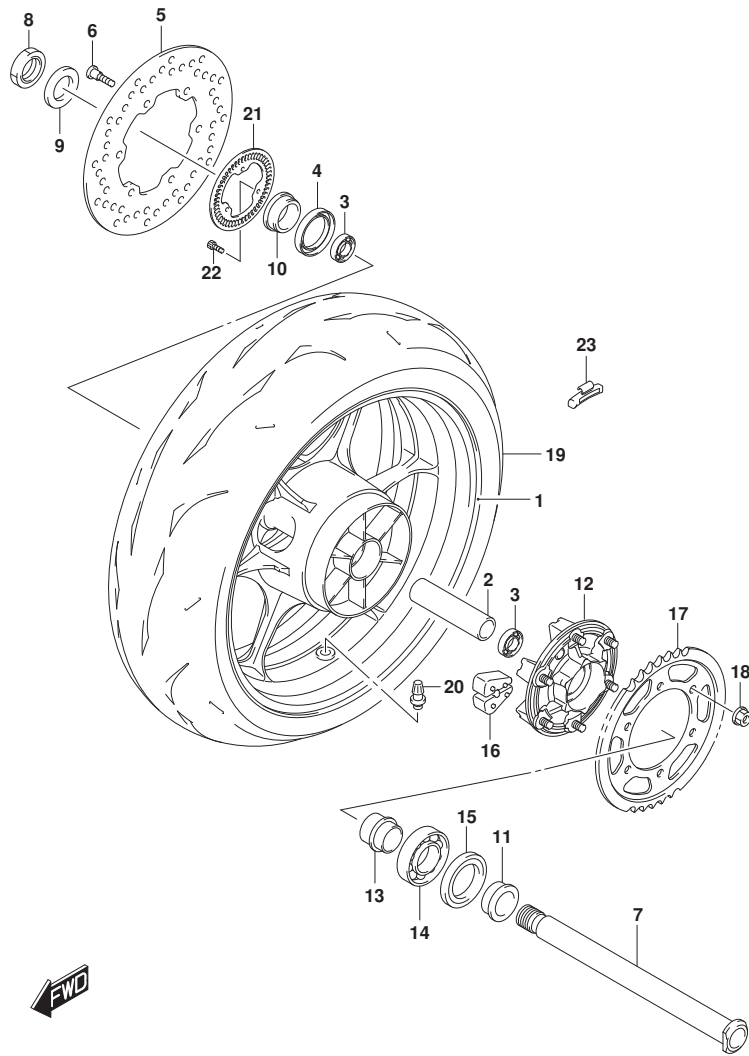


FIG.550B

FIG.550B (1-I-2) REAR WHEEL (GSX-R1000ZA,GSX-R1000RZA)

REF NO.	PART NO.	DESCRIPTION	Q'TY	REMARKS
1	64111-17K00-019	WHEEL,REAR (17M/CXMT6.00,BLACK	1	
2	64731-35F10	SPACER,REAR HUB BEARING	1	
3	09262-28062	BEARING,REAR WHEEL HUB (28X52X12)	2	
4	09284-37002	SEAL,REAR WHEEL BEARING RH(37X52X8)	1	
5	69211-47H00	DISC,REAR BRAKE	1	
6	09106-08160	BOLT (8X21)	5	
7	64711-49G00	AXLE,REAR	1	
8	64721-17K00	NUT,REAR AXLE	1	
9	09160-25070	WASHER (25.2X42X3.2)	1	
10	64741-35F10	SPACER,REAR AXLE RH	1	
11	64751-47H10	SPACER,REAR AXLE LH	1	
12	64610-04K00	DRUM,REAR SPROCKET	1	
13	64733-35F00	RETAINER,REAR SPROCKET DRUM	1	
14	09262-32024	BEARING,RR SPROCKET DRUM (32X65X17)	1	
15	09285-39001	OIL SEAL (39X65X7)	1	
16	64651-17K00	ABSORBER,REAR HUB SHOCK	6	
17	64511-15J00	SPROCKET,REAR (NT:45)	1	
18	08319-3110A	NUT	6	
19	65110-17K20	TIRE,REAR (190/55ZR17M/C 75W)	1	
20	#43130-24A00	VALVE ASSY,WHEEL RIM (TR412)	1	
21	64162-47H00	RING,SPEED SENSOR RR (50T)	1	
22	07130-0512A	BOLT	3	
23-1	55411-22H00	BALANCER,WHEEL NO.1 (10G)	AR	
23-2	55412-22H00	BALANCER,WHEEL NO.2 (20G)	AR	
23-3	55413-22H00	BALANCER,WHEEL NO.3 (30G)	AR	
24	68251-17K20-G7Z	TAPE,WHEEL RH (YELLOW,BLACK)	1	
25	68252-17K20-G7Z	TAPE,WHEEL LH (YELLOW,BLACK)	1	

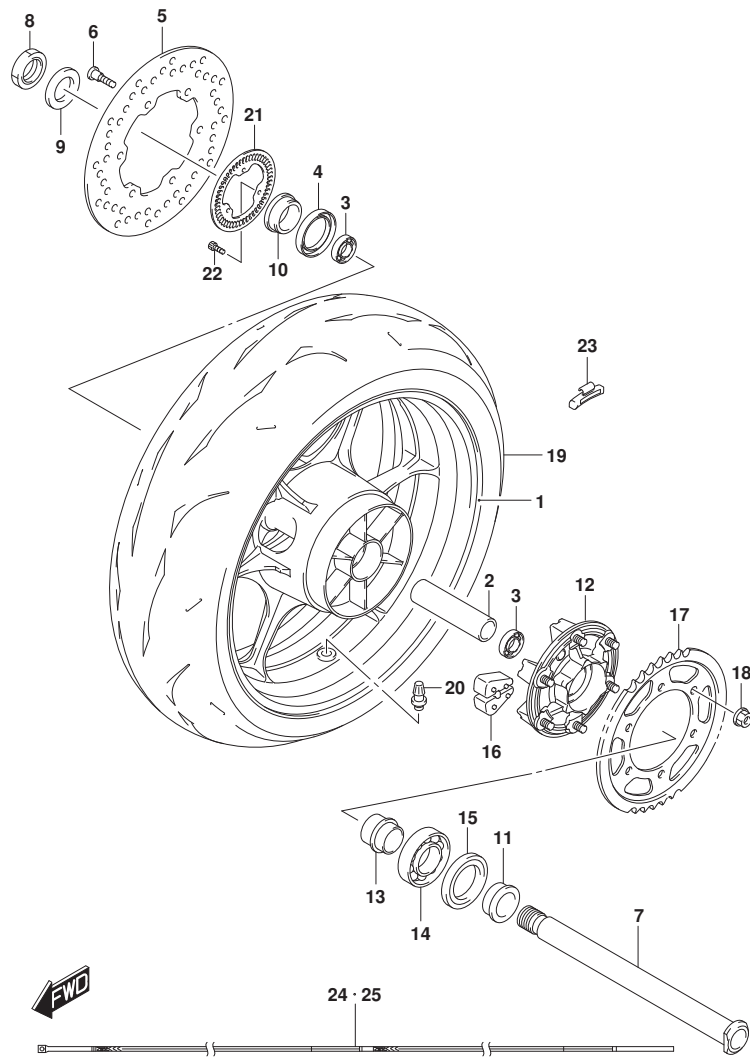


FIG.550C

FIG.550C (1-I-3) REAR WHEEL (GSX-R1000RA)

REF NO.	PART NO.	DESCRIPTION	Q'TY	REMARKS
1-1	64111-17K00-019	WHEEL,REAR (17M/CXMT6.00,BLACK)	1	BODY COLOR:4TX
1-2	64111-17K00-YPU	WHEEL,REAR (GOLD)	1	BODY COLOR:YKV
2	64731-35F10	SPACER,REAR HUB BEARING	1	
3	09262-28062	BEARING,REAR WHEEL HUB (28X52X12)	2	
4	09284-37002	SEAL,REAR WHEEL BEARING RH(37X52X8)	1	
5	69211-47H00	DISC,REAR BRAKE	1	
6	09106-08160	BOLT (8X21)	5	
7	64711-49G00	AXLE,REAR	1	
8	64721-17K00	NUT,REAR AXLE	1	
9	09160-25070	WASHER (25.2X42X3.2)	1	
10	64741-35F10	SPACER,REAR AXLE RH	1	
11	64751-47H10	SPACER,REAR AXLE LH	1	
12	64610-04K00	DRUM,REAR SPROCKET	1	
13	64733-35F00	RETAINER,REAR SPROCKET DRUM	1	
14	09262-32024	BEARING,RR SPROCKET DRUM (32X65X17)	1	
15	09285-39001	OIL SEAL (39X65X7)	1	
16	64651-17K00	ABSORBER,REAR HUB SHOCK	6	
17	64511-15J00	SPROCKET,REAR (NT:45)	1	
18	08319-3110A	NUT	6	
19	65110-17K20	TIRE,REAR (190/55ZR17M/C 75W)	1	
20	#43130-24A00	VALVE ASSY,WHEEL RIM (TR412)	1	
21	64162-47H00	RING,SPEED SENSOR RR (50T)	1	
22	07130-0512A	BOLT	3	
23-1	55411-22H00	BALANCER,WHEEL NO.1 (10G)	AR	
23-2	55412-22H00	BALANCER,WHEEL NO.2 (20G)	AR	
23-3	55413-22H00	BALANCER,WHEEL NO.3 (30G)	AR	
24	68251-14J00-B86	TAPE,WHEEL RH	1	BODY COLOR:4TX
25	68252-14J00-B86	TAPE,WHEEL LH	1	BODY COLOR:4TX

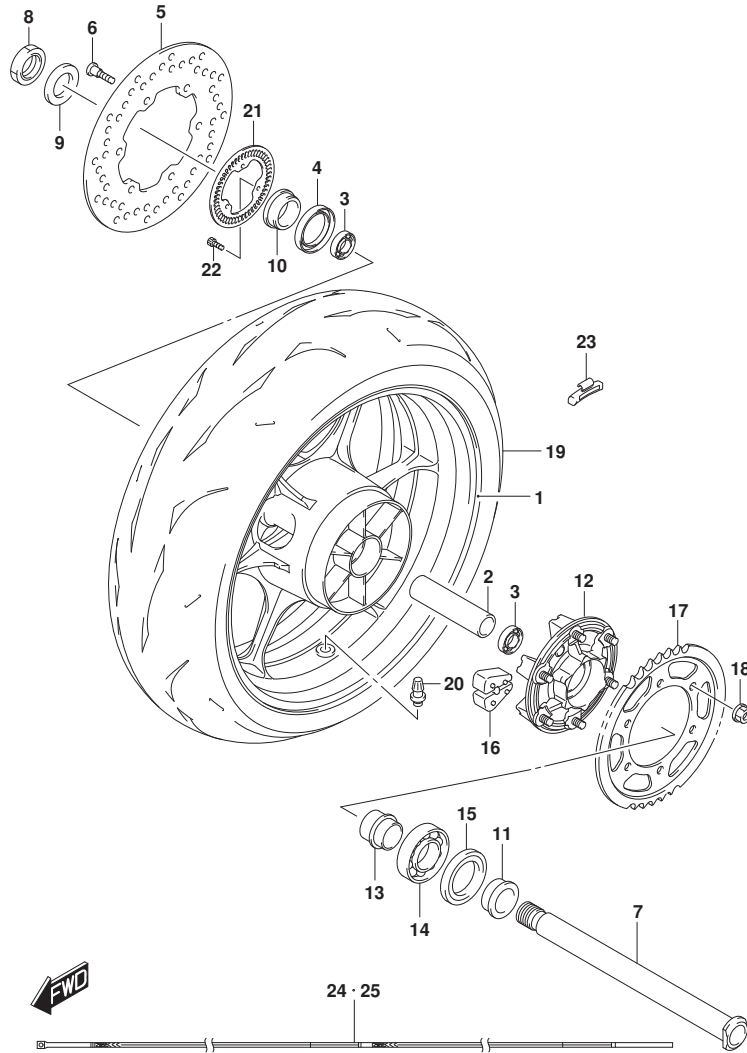


FIG.555A

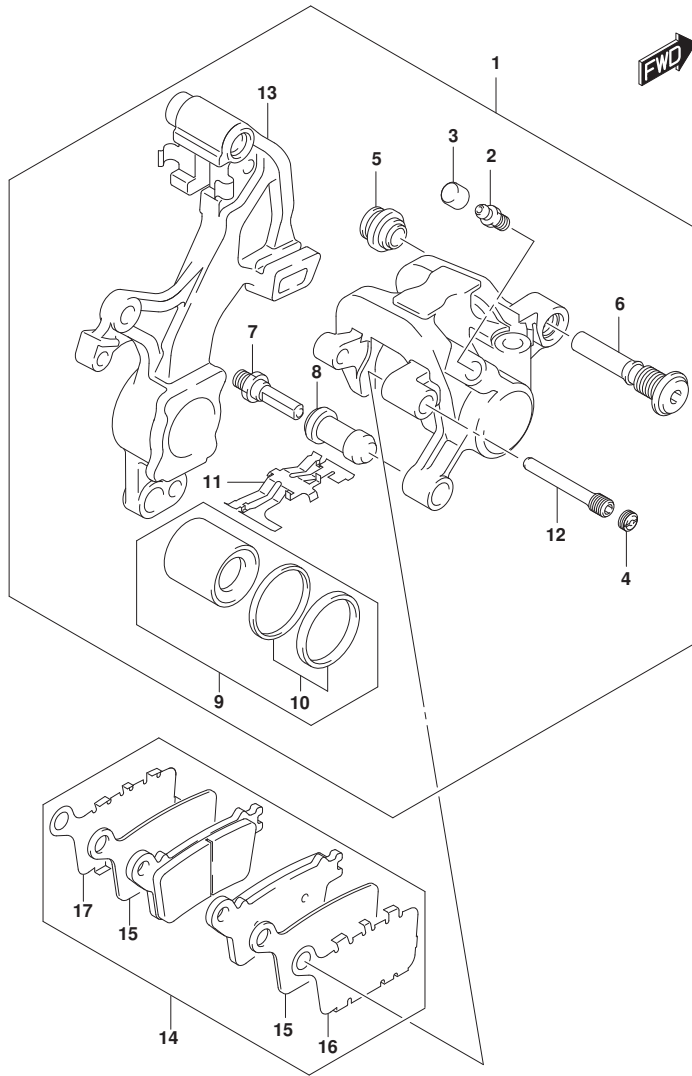


FIG.555A (1-1-4) REAR CALIPER

REF NO.	PART NO.	DESCRIPTION	Q'TY	REMARKS
1	69100-47H41-999	CALIPER ASSY,RR	1	
2	59121-01A00	.BLEEDER	1	
3	59122-46H00	.CAP,BLEEDER	1	
4	59146-21E10	.PLUG,PIN	1	
5	59303-14500	.BOOT	1	
6	59305-36E00	.PIN,BOLT	1	
7	59382-14500	.PIN	1	
8	59386-13A00	.BOOT	1	
9	69100-47810	.PISTON SET	1	
10	69100-13810	..SEAL SET,PISTON	1	
11	69115-17K01	.SPRING,PAD	1	
12	69141-40F00	.PIN,PAD	1	
13	69150-47H20	.BRACKET,RR	1	
14	69100-47830	PAD & SHIM SET	1	
15	69132-47H00	.INSULATOR	2	
16	69133-47H00	.RETAINER,PAD	1	
17	69134-47H00	.RETAINER,PAD	1	

FIG.558A

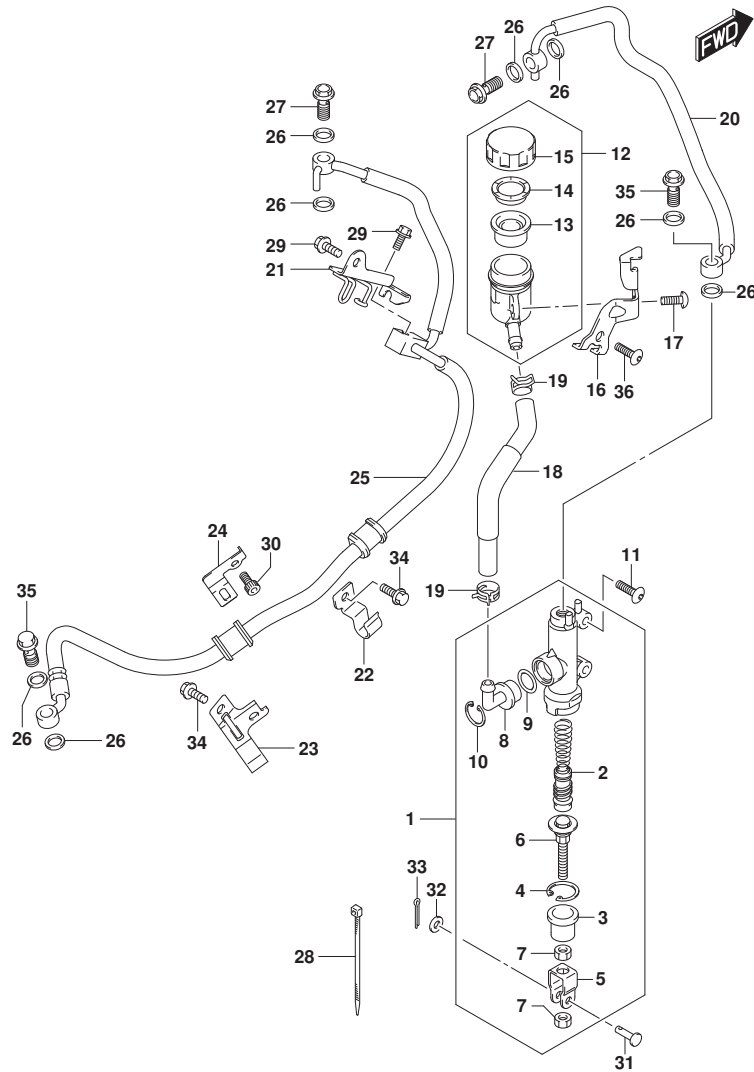


FIG.558A (1-I-5) REAR MASTER CYLINDER

REF NO.	PART NO.	DESCRIPTION	Q'TY	REMARKS
1	69600-47H31	CYLINDER ASSY,REAR MASTER	1	
2	69600-34810	.PISTON/CUP SET	1	
3	69691-04A00	.BOOT	1	
4	69665-47H00	.CIRCLIP	1	
5	69692-47H00	.YOKE	1	
6	69670-17K00	.ROD,PUSH	1	
7	69693-47H00	.NUT	2	
8	69672-00B20	.CONNECTOR	1	
9	69686-34200	.O RING	1	
10	69674-00B20	.CIRCLIP	1	
11	09139-06224	BOLT,REAR MASTER CYLINDER	2	
12	69740-17K00	TANK ASSY,REAR RESERVOIR	1	
13	59667-33J00	.DIAPHRAGM	1	
14	59668-33J00	.PLATE	1	
15	69669-17K00	.CAP	1	
16	69750-17K00	BRACKET,RR RESERVOIR TANK	1	
17	09139-06139	SCREW (6X16)	1	
18	69730-17K00	HOSE,RR RESERVOIR TANK	1	
19	09401-12412	CLIP	2	
20	69240-17K21	HOSE	1	
21	69260-17K00	CLAMP,RR BRAKE HOSE	1	
22	69268-17K00	CLAMP,RR BRAKE HOSE	1	
23	69270-17K00	CLAMP,RR BRAKE HOSE	1	
24	69272-17K00	CLAMP,RR BRAKE HOSE	1	
25	69480-17K31	HOSE	1	
26	09161-10009	WASHER (10X15X1.5)	8	
27	09360-10062	UNION (10X1.25X22)	2	
28	09407-14407	CLAMP (L:145)	1	
29	01547-0612A	BOLT	2	
30	01547-0612B	BOLT	2	
31	09200-06068	PIN (6X18.2)	1	
32	08322-0106A	WASHER	1	
33	04111-2015A	PIN	1	
34	01547-0612B	BOLT	1	
35	09360-10042	UNION (10X1.25X22)	2	

FIG.558A

FIG.558A (1-I-6) REAR MASTER CYLINDER

REF NO.	PART NO.	DESCRIPTION	Q'TY	REMARKS
36	09139-06214	SCREW (6X16)	1	

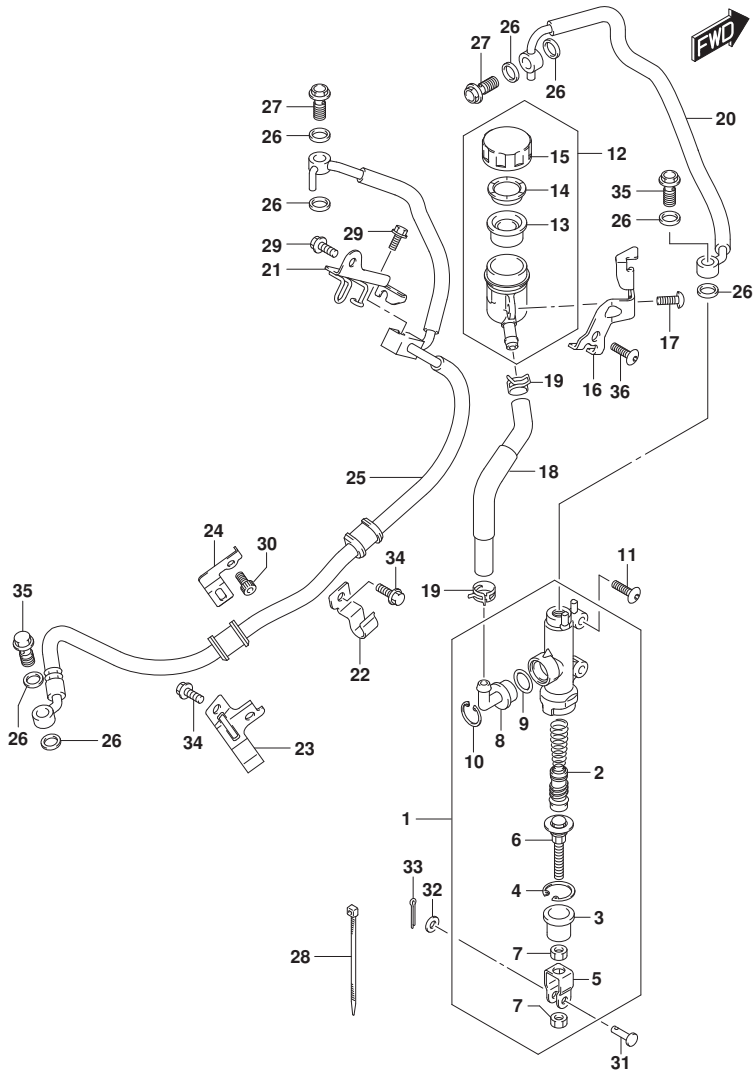
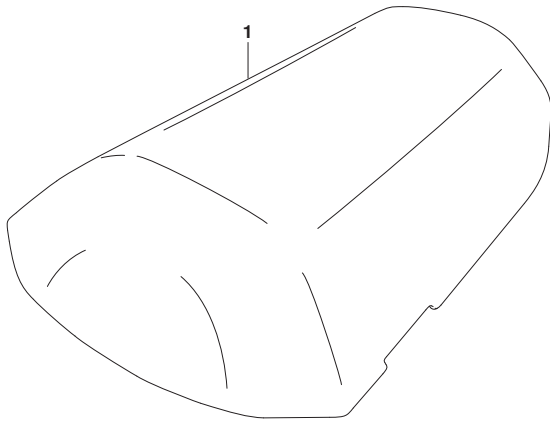


FIG.970A

FIG.970A (1-1-7) OPTIONAL

REF NO.	PART NO.	DESCRIPTION	Q'TY	REMARKS
1-1	45550-17810-YKV	BOX,SEAT TAIL (BLACK)	1	BODY COLOR:YKV
1-2	45550-17810-YMD	BOX,SEAT TAIL (SILVER)	1	BODY COLOR:GUL



PART NO.	FIG.NO.-REF.NO.	PART NO.	FIG.NO.-REF.NO.	PART NO.	FIG.NO.-REF.NO.	
10000		12152-17K01	120A-14	12751-17K00	126A-6	
		12160-17K00	120A-1	12760-40F01	127A-1	
		12163-17K00	120A-2	12771-17K00	127A-2	
		12164-17K00-0A0	120A-4-1	12782-35F11	127A-3	
		12164-17K00-0B0	120A-4-2	12800-05830	126A-20	
	11100-17K00	103A-1	12164-17K00-0C0	120A-4-3	12811-17K01	127A-4
	11115-29G70	103A-4	12164-17K00-0D0	120A-4-4	12812-31G00	127A-5
	11117-29G00	103A-10	12164-17K10-0A0	120A-5-1	12830-15H10	127A-6
	11117-29G20	103A-11	12164-17K10-0B0	120A-5-2	12837-02H00	101A-10
	11141-17K00	101A-2	12164-17K10-0C0	120A-5-3		127A-7
	103A-5	12164-17K10-0D0	120A-5-4	12841-17K01	126A-8	
11171-17K00	102A-1	12228-48B00-0B0	108A-17-1	12861-17K00	126A-9	
11173-17K00	101A-3		120A-8-1	12872-17K00	126A-11	
	102A-2	12228-48B00-0C0	108A-17-2	12892-05C00-170	126A-19-1	
11178-33E00	101A-4		120A-8-2	12892-05C00-175	126A-19-2	
	102A-3	12228-48B00-0D0	108A-17-3	12892-05C00-180	126A-19-3	
11182-35F10	101A-5		120A-8-3	12892-05C00-185	126A-19-4	
	102A-4	12228-48B00-0E0	108A-16	12892-05C00-190	126A-19-5	
11191-27E00	101A-6		108A-17-4	12892-05C00-195	126A-19-6	
	102A-5		120A-7	12892-05C00-200	126A-19-7	
11269-18G01	163A-19		120A-8-4	12892-05C00-205	126A-19-8	
11276-17K00	163A-20	12228-48B00-0F0	108A-17-5	12892-05C00-210	126A-19-9	
11277-17K00	163A-21		120A-8-5	12892-05C00-215	126A-19-10	
11278-17K00	163A-22	12228-48B00-0G0	108A-17-6	12892-05C00-220	126A-19-11	
11301-17810	108A-1		120A-8-6	12892-05C00-225	126A-19-12	
11318-35F00	108A-2	12228-48B00-0H0	108A-17-7	12892-05C00-230	126A-19-13	
11319-33E50	108A-3		120A-8-7	12892-05C00-235	126A-19-14	
	108A-4	12229-17K00-0A0	120A-9-1	12892-05C00-240	126A-19-15	
11341-17K00	112A-1	12229-17K00-0B0	120A-9-2	12892-05C00-245	126A-19-16	
11342-41G10	112A-11	12229-17K00-0C0	120A-9-3	12892-05C00-250	126A-19-17	
11351-17K01	112A-13	12229-17K00-0D0	120A-9-4	12892-05C00-255	126A-19-18	
11360-17K00	112A-18	12229-17K00-0E0	120A-9-5	12892-05C00-260	126A-19-19	
11371-17K00	112A-20	12229-17K10-0A0	120A-10-1	12892-05C00-265	126A-19-20	
11380-17K00	108A-36	12229-17K10-0B0	120A-10-2	12892-05C00-270	126A-19-21	
11390-17K00	108A-19	12229-17K10-0C0	120A-10-3	12911-17K00	126A-12	
11402-17810	101A-1	12229-17K10-0D0	120A-10-4	12912-17K00	126A-13	
11482-17K00	101A-7	12229-17K10-0E0	120A-10-5	12919-17K00	126A-14	
	112A-2		122A-1	12920-17K10	126A-15	
11483-17K00	101A-8		122A-2	12931-17K01	126A-16	
	112A-14		122A-3	12932-32C00	126A-17	
11489-17K00	101A-9	12615-17K00	122A-4	12933-47H00	126A-18	
	116A-2	12616-17K00	122A-5	13101-17K00	103A-18	
11511-17K00	116A-1	12617-47H00	122A-6	13170-17K00	103A-20	
11512-17K00	116A-4	12618-31G00	122A-7	13268-48700	140B-2	
11971-25D00	112A-7	12622-17K00	122A-8	13269-33E00	140B-3	
11971-33210	108A-31	12710-17K00	126A-1	13295-29901	140B-4	
12000-17880	120A-6	12720-17K00	126A-5	13374-32G00	140B-5	
12111-17K00-0F0	120A-11	12731-47H00	120A-15		140B-37	
12140-17K00	120A-12	12740-17K00	126A-2	13405-17K10	140B-1	
12151-17K00	120A-13	12746-17K00	126A-3	13471-17K00	140B-7	

PART NO.	FIG.NO.-REF.NO.	PART NO.	FIG.NO.-REF.NO.	PART NO.	FIG.NO.-REF.NO.
		140B-38	14310-17KD0	163A-10	17461-01H00
13471-18H00		140B-8	14459-17K10	163A-11	17470-02F11
13472-17K00		140B-9	14771-24F01	163A-12	17481-17K00
		140B-39	14780-17K20	163A-30	17511-47H00
13473-17K00		140B-10	14784-17K00	163A-31	17661-37H00
		140B-40	15100-17K50	172A-1	17670-06G61
13474-17K00		140B-41	15113-05H00	172A-4	17710-17K01
13500-17K00		140B-27	15113-17K00	172A-7	17711-08J00
13571-17K00		140B-28	15113-35F00	172A-10	17712-40F00
13572-17K00		140B-29	15114-17K00	172A-5	17730-08J00
13601-29G00		140B-11	15115-17K00	172A-8	17741-17K00
		140B-42	15116-17K00	172A-6	17742-17K00
13602-29G01		140B-12	15120-17K00	172A-11	17750-17K00
		140B-43	15122-17K00	172A-12	17771-17K00
13606-47A00		140B-13	15201-07L00	172A-13	17790-17K00
13650-14G10		155A-25	15310-17K00	172A-2	17810-17K00
13650-49X00		103A-22	15420-17K00	172A-9	17820-17K00
13655-14G10		155A-26	15610-17K50	172A-3	17851-17K00
13671-29G00		140B-14	15625-29G40	155A-23	17852-17K00
13681-39F01-060		140B-15	15630-29G40	155A-22	17853-17K00
13683-04K10		140B-17	15632-17K00	155A-24	17854-17K00
13683-10F60		140B-16	15710-04K00	140B-23	17859-17K00
		140B-20	15710-17K10	140B-44	17861-17K00
13683-17K00		140B-18	15717-58B00	140B-24	17910-17K00
13683-17K10		140B-19		140B-45	17931-31J00
13685-02FA0		140B-6	15722-14J00	140B-25	17981-17K00
13685-29G00		140B-21	15722-17K00	140B-46	17982-47H10
13685-38420		140B-22	15810-17K00	172A-14	18117-52G10
13720-17K00		155A-5	15900-17K00	140B-36	18213-17K00
13736-17K00		155A-18	15910-17K00	140B-47	18450-35F60
		155A-20	15911-17K00	155A-3	18461-47H00
13740-17K00		155A-1	16310-47H00	116A-6	18471-47H00
13746-35F00		155A-2	16321-01H00	116A-7	18510-29G70
13756-17K00		155A-6	16331-17K00	116A-8	18531-35F30
13757-17K00		155A-7	16332-17K00	116A-9	18560-04K01
13780-17K00		155A-4	16400-17K00	116A-10	18561-17K00
13788-17K00		155A-8	16440-17K00	116A-11	18562-17K00
13820-17K00		155A-17	16460-17K00	178A-9	18563-17K00
13820-17K10		155A-19	16469-17K00	178A-10	18571-17K00
13831-47H00		155A-15	16470-17K00	178A-11	18572-17K00
13853-17K00		155A-9	16510-07J00	108A-41	18573-17K00
13878-09F00		155A-10	16520-17K00	116A-17	18711-17K00
13880-17K00		155A-13	16591-06B01	108A-40	18803-45G01
13880-17K10		155A-14	16600-47H20	178A-1	496G-3
14100-17K01		163A-1	16651-17K00	178A-8	
14181-04K00		101A-11	17400-17K01	180A-1	
		163A-2	17410-17K00	180A-2	
14250-21H00		163A-23	17418-33401	180A-3	
14252-14J00		163A-24	17432-07G00	180A-4	
14280-17K00		163A-3	17435-33400	180A-5	

20000

PART NO.	FIG.NO.-REF.NO.	PART NO.	FIG.NO.-REF.NO.	PART NO.	FIG.NO.-REF.NO.
21200-17880	201A-2	25312-17K00	212A-6	32830-17K00	312A-17
21222-17K00	201A-1	25350-06G00	212A-11		312F-17
21253-01H10	201A-3	25355-17K00	212A-12	32920-17K93	312A-8
21411-17K00	201A-6	25381-17K00	212A-7	32920-17KG2	312F-8
21413-17K00	201A-7	25411-38B01	212A-3	33220-01H01	312A-24
21414-17K00	201A-9	25501-17830	212A-44		312F-24
21415-17K00	201A-8	25510-17K00	212A-15	33410-17K01	312A-6
21441-42F20	201A-10	25512-06G20	212A-16		312F-6
21442-42F10	201A-11	25518-01H00	212A-17	33620-17K01	310A-1
21451-47H10	201A-12	25519-01H00	212A-18	33624-04K00	310A-8
21451-47H30	201A-13	25520-17K10	212A-27	33652-05G20	474A-14
21451-47H50	201A-14	25525-17K10	212A-28	33652-13G00	483A-14
21462-17K00	201A-15	25600-17K00	212A-29		483B-14
21471-02F20	201A-16	25617-17K00	212A-37		483C-14
21472-02F20	201A-17	25619-17K00	212A-39	33652-17K00	310A-2
21482-17K00	201A-18	25652-20C00	212A-30	33652-17K10	334B-6
23110-27A00	201A-23	25671-01011	212A-19		445A-2
23111-26D00	201A-24	25681-17K00	212A-38		445B-2
23121-41G30	201A-25	27510-17K00	206A-47		445C-2
23122-41G00	201A-26	27531-17K00	206A-48		445D-2
23123-41G00	201A-27	27600-17K00-120	206A-49	33652-17K20	310A-3
23125-41G00	201A-28	27620-17K00	206A-50	33652-17K30	310A-4
23271-41G50	201A-29			33652-17K40	310A-5
24120-17K10	206A-1			33652-21G00	422A-11
24131-17K00	206A-17				422B-12
24221-40F30	206A-2				422C-11
24231-47H10	206A-3				481A-16
24251-47H20	206A-4				481A-20
24252-24F20	206A-5				481B-17
24261-47H20	206A-6				481B-21
24262-24F20	206A-7				481C-17
24311-47H00	206A-18	31100-17K00	301A-1		481C-21
24315-17K00	206A-19	31150-40F01	301A-2		481D-17
24321-17K00	206A-20	31153-49210	301A-3		481D-17
24322-17K00	206A-21	31156-17E00	112A-12		481D-21
24323-17K00	206A-22	31156-40F01	301A-9	33652-35400	483A-15
24331-47H20	206A-23	31175-40F01	301A-4		483B-15
24332-24F20	206A-24	31264-32C10	301A-5		483C-15
	206A-25	31281-40F00	301A-6	33652-38A10	312A-9
	206A-26	31361-10200	301A-8		312F-9
24333-47H00	206A-26	31361-17K00	301A-7		448A-9
24341-47H10	206A-27	31361-38300	301A-10	33652-38F20	448B-9
24351-47H00	206A-28	31800-21E20	312A-1		448A-15
24361-17K00	206A-29		312F-1		448B-15
24741-06G00	206A-39	31861-47E00	312A-2	33810-17K01	310A-6
24741-17K00	206A-40		312F-2	33820-17K11	310A-7
24741-20A00	206A-41		304A-1	33960-06G10	312A-10
24751-17K00	206A-42		304A-2		312F-10
25211-01H11	212A-1		304A-3	33970-47H02	312A-11
25231-01H02	212A-2		312A-7		312F-11
25310-17K00	212A-5		312F-7	34100-17K01	330A-1

30000

PART NO.	FIG.NO.-REF.NO.	PART NO.	FIG.NO.-REF.NO.	PART NO.	FIG.NO.-REF.NO.
34100-17KA1	330F-1			480B-6	41100-17K10
34111-17K00	330A-2			480C-3	41100-17K20
	330F-2			480C-6	41200-17K10
34150-17K00	330A-3			480D-3	401B-2
	330F-3			480D-6	401A-3
34183-10C00	330A-4			483A-2	401B-3
	330F-4			483A-16	41921-47H00
34189-08J01	330A-5			483B-2	401A-5
	330F-5			483B-16	401B-5
34810-17K10	172A-16			483C-2	401A-6
34815-17K10	172A-17			483C-16	401B-6
35100-17K00	333A-1			485A-16	42310-17K00
35100-17KA0	333B-1			485B-24	42330-17K10
35125-17K00	333A-2			485C-22	42411-47H00
	333B-2	36930-82010		480A-20	43110-47H10
35601-17KA1	334B-1			480B-18	43130-24A00
35602-17KA1	334B-2			480C-20	530B-12
35603-17KA1	334B-7			480D-18	530C-12
35604-17KA1	334B-8	37100-17KA1		352A-2	550A-20
35710-17K00	339A-1	37101-17881		352A-1	550B-20
35781-17K00	339A-2	37146-41G00		352A-4	550C-22
35910-17K00	339A-6	37152-17K00		352A-3	350B-22
35913-17K00	339A-7	37200-17KA0		355A-1	43511-17K00
35950-14A11	460A-6	37400-17K01		355A-4	43516-37H10
	460D-6	37730-17K00		212A-40	43521-17K00
	460G-6	37740-17K00		350A-21	43526-37H10
	460H-6			350B-21	43531-41G20
35952-17K01	460A-8	37820-33D10		116A-20	43571-17K00
	460D-8	37822-33D00		116A-21	43576-17K00
	460G-8	37840-35F01		350A-24	43576-48B40
	460H-8			350B-24	43577-35F20
35970-07F01	339A-11	38500-17K00		350A-26	43581-47H00
36610-17KCO	350A-1			350B-26	43600-17K00
	350B-1	38860-76F01		350A-6	43611-37H30
36617-17K00	355A-6			350A-7	43621-37H30
36620-17K40	350A-10			350A-8	43700-17K00
36620-17K50	350B-10			350A-9	43811-17K00
36630-17K11	350A-11			350B-6	43816-01H20
	350B-11			350B-7	415A-22
36654-06J31	350A-12			350B-8	415A-30
	350B-12			350B-9	43821-17K00
36670-17K00	312A-15				44100-17K10-YKV
	312F-15				44100-17K40-YSF
36851-17K00	350A-18				44121-17K01
	350B-18				420B-2
36920-08D00	312A-4				420D-3
	312F-4				44173-14J00
36930-60A10	480A-3				445A-6
	480A-6				445B-10
	480B-3				445C-8
					445D-8
					481A-2
					481B-2

40000

PART NO.	FIG.NO.-REF.NO.	PART NO.	FIG.NO.-REF.NO.	PART NO.	FIG.NO.-REF.NO.
44200-17840	481C-2	44543-17K00	420B-20	47110-17K90-YMD	445C-1
	481D-2		420D-21	47110-17KA0-YMD	445D-1
	420B-3	44544-17K00	420B-10	47110-17KB0-4TX	445B-1-2
	420D-4		420D-11	47110-17KB0-YKV	445B-1-1
44244-11J00	420B-4	44551-17K00	420B-11	47121-17K00	448A-10
	420D-5		420D-12		448B-10
44277-17K00	422A-12	44552-17K00	420B-12	47121-31J00	483A-17
	422B-13		420D-13		483B-17
	422C-12	44552-24B10	420B-5		483C-17
44279-18K00	481A-17		420D-6	47122-17K00	448A-4
	481A-21	44561-18G00	420B-13		448A-7
	481B-18		420D-14		448B-4
	481B-22	44572-02F01	333A-4		448B-7
	481C-18		333B-4	47123-17K00	448A-5
	481C-22		481A-3		448A-8
	481D-18		481B-3		448B-5
44283-17K00	481D-22		481C-3		448B-8
	420B-26		481D-3	47161-40D10	480A-21
	420D-27	44572-13G00	420B-21		480B-19
44284-17K00	420B-31		420D-22		480C-21
	420D-32		448A-14		480D-19
44285-17K00	420B-29		448B-14	47210-17K90-YMD	445C-4
	420D-30	44572-37H00	333A-5	47210-17KA0-YMD	445D-4
44286-17K00	420B-30		333B-5	47210-17KB0-4TX	445B-5-2
	420D-31		481A-4	47210-17KB0-YKV	445B-5-1
44290-17KD0-YKV	422A-5		481B-4	47211-17K00-YKV	445A-3
44290-17KE0-4TX	422B-5-2		481C-4	47311-17K00	445A-4
44290-17KE0-YKV	422B-5-1		481D-4		445B-8
44291-17K01-YSF	422C-5	44572-44G00	420B-22		445C-6
44294-43H11	333A-3		420D-23		445D-6
	333B-3		422A-16	47312-37H10	445A-7
44423-17K02	420B-27		422B-17		445B-11
	420D-28		422C-16		445C-9
44512-17K00	422A-10	44574-17K00	420B-28		445D-9
	422B-11		420D-29	47411-17K00-YKV	445A-5
	422C-10	45100-17K03-W05	505A-1		445B-9
44521-17K00	422A-1	45148-20G90	505A-10	47411-17K00-YMD	445C-7
	422B-1	45148-27J00	474A-15		445D-7
	422C-1	45149-37H00	505A-2	47431-17K00	474A-16
44523-47H00	420B-6	45220-04K20	505A-4	47441-17K10	474A-17
	420D-7	45241-17K00	505A-5	47511-17K01	448A-1
	422A-14	45280-17K00	505A-6		448B-1
	422B-15	45288-14F30	505A-7	47611-17K01	448A-2
	422C-14	45289-11F00	505A-8		448B-2
44530-17K00	420B-7	45290-17K00	505A-11	47710-17K00-YKV	448A-3
	420D-8	45300-17K01-W05	505A-9	47710-17K00-YMD	448B-3
44541-17K00	420B-8	45380-17K01-W05	505A-12	47810-17K00-YKV	448A-6
	420D-9	45550-17810-YKV	970A-1-1	47810-17K00-YMD	448B-6
44542-17K00	420B-9	45550-17810-YMD	970A-1-2		
	420D-10	47110-17K60-YKV	445A-1		

PART NO.	FIG.NO.-REF.NO.	PART NO.	FIG.NO.-REF.NO.	PART NO.	FIG.NO.-REF.NO.	
50000		51187-47H00	521A-29		460G-1	
			521A-18	53110-17K21-YKV	460A-1	
			521A-38		460H-1	
			521B-13	53121-33E00	460A-3	
			521B-28		460D-3	
	51103-17K01	521A-1	51187-47H10	521A-16		460G-3
	51103-17K31	521B-1		521A-36		460H-3
	51104-17K01	521A-21	51189-17K00	521A-19	54111-17K00-019	530A-1
	51104-17K31	521B-16		521A-39		530B-1
	51110-17K00	521A-2	51189-17K30	521B-14		530C-1-1
51110-17K30	521B-2		521B-29	54111-17K00-YPU	530C-1-2	
51118-47H00	521A-15	51198-17K10	521B-8	54162-47H00	530A-9	
	521A-35		521B-23		530B-9	
51118-47H20	521A-20	51311-17K00	524B-5		530C-9	
	521A-40	51311-47H00	524A-5	54711-47H00	530A-5	
	521A-22	51321-27E30	524A-6		530B-5	
51120-17K00	521B-17		524B-6		530C-5	
51120-17K30	521A-3	51321-36F00	521A-41	54712-47H00	530A-6	
51131-17K00	521A-23		521B-31		530B-6	
	521B-3	51328-27E30	524A-4		530C-6	
51131-17K10	521B-18		524B-4	54731-35F10	530A-2	
	521A-4	51353-01H00	524A-8		530B-2	
51152-47H00	521A-24	51353-15J30	524B-8		530C-2	
	521B-4	51354-01H00	524A-7	54751-41G10	530A-7	
	521B-19		524B-7		530B-7	
51152-47H10	521A-5	51410-17K00	524A-1		530C-7	
	521A-25		524B-1	55110-17K20	530A-11	
	521B-5	51556-38B00	521A-12		530B-11	
51153-27G00	521B-20		521A-32		530C-11	
	521A-6		521B-11	55411-22H00	530A-13-1	
51153-47H00	521A-26		521B-26		530B-13-1	
	521A-7	51631-33E00	524A-13		530C-13-1	
51168-29G00	521A-27		524B-13		550A-23-1	
	521B-6	51641-33E00	524A-12		550B-23-1	
	521B-21		524B-12		550C-23-1	
51171-17K10	521B-7	51643-41G00	524A-10	55412-22H00	530A-13-2	
	521B-22		524B-10		530B-13-2	
51171-47H20	521A-8	51644-12C00	524A-3		530C-13-2	
	521A-28		524A-11		550A-23-2	
51173-27G00	521A-10		524B-3		550B-23-2	
	521A-30		524B-11		550C-23-2	
	521B-9	51750-21H31	524A-14	55413-22H00	530A-13-3	
	521B-24		524B-14		530B-13-3	
51174-17K00	521A-14	51827-29G00	521A-17		530C-13-3	
	521A-34		521A-37		550A-23-3	
	521B-10		521B-12		550B-23-3	
51175-17K10	521B-25		521B-27		550C-23-3	
	521A-11	52110-17K00	521A-13	55610-17K00	533A-1	
51175-47H00	521A-31		521A-33	55610-17K20	533B-1	
	521A-9	53110-17K11-YMD	460D-1	55660-17K00	533A-2	

PART NO.	FIG.NO.-REF.NO.	PART NO.	FIG.NO.-REF.NO.	PART NO.	FIG.NO.-REF.NO.
	533B-2		535A-7		
55662-17K00	533A-3	59100-14820	535A-3		
	533B-3		535A-8		
55710-17K00	534A-1	59100-14840	535A-5		
55710-17K20	534B-1		535A-9		
55731-15H00	534A-2	59100-14870	535A-11	61000-17K01-YAP	541A-1
	534B-2	59100-17K00-999	535A-6		541B-1
55731-17K00	534B-20	59121-01A00	537A-10	61124-41G00	541A-5
55750-17K20	534A-3		555A-2		541B-5
	534B-3	59122-46H00	537A-11	61211-01H00	541B-8
55760-17K10	534A-4		555A-3	61211-17K00	541A-8
	534B-4	59146-21E10	555A-4	61212-17K00	541A-19
55763-17K00	534A-5	59151-14J00	535A-4	61213-41G00	541A-22
	534B-5		535A-10	61214-17K00	541A-20
55770-17K00	534A-6	59200-17K21	536A-1	61214-42E10	541A-21
	534B-6	59200-17K41	536B-1		541B-10
55772-17K00	534A-7	59210-17K01	530A-8	61215-41G00	541A-23
	534B-7		530B-8	61216-17K00	541A-24
56111-17K01	462A-1		530C-8	61217-17K00	541A-25
56151-17K01	462A-2	59240-17K20	536A-2	61251-41G00	541A-7
56277-17K00	462A-5	59240-17K41	536B-2		541B-7
56278-17K00	462A-4	59270-17K00	536A-3	61273-17K00	541A-10
56500-17K00	462A-6		536B-3		541B-11
56525-17K00	462A-7	59300-17K00-999	535A-1	61281-41G00	541A-4
	462A-9	59303-14500	555A-5		541B-4
56600-17K00	462A-8	59305-36E00	555A-6	61311-21H00	541A-12
56619-41G01	462A-10	59382-14500	555A-7		541B-13
57110-21H02	467A-1	59386-13A00	555A-8	61445-40F00	541A-16
57211-21H01	467A-7	59400-17K41	536A-4		541B-17
57300-17K00	467A-2	59400-17K61	536B-4	61446-40F00	541A-15
57431-29G00	467A-3	59600-17810	537A-2		541B-16
57431-41G60	467A-10	59600-17K00	537A-1	62100-17810-019	543A-14
57433-09F00	467A-4	59666-29G00	537A-3	62100-17870-019	543C-14
57460-14J02	467A-5	59667-18441	537A-13	62313-47H00	543A-19
57465-17C00	467A-6	59667-33J00	558A-13		543C-19
57500-41G70	467A-8	59668-18441	537A-14	62317-00B20	543A-2
57532-41G00	467A-11	59668-33J00	558A-14		543C-2
57560-41G20	467A-13	59669-07D00	537A-15	62317-44B00	543A-5
57562-41G21	467A-14	59671-01H00	537A-8		543C-5
57621-41G10	467A-9	59672-17C00	537A-5	62317-47H00	543A-16
57641-33E21	467A-16	59673-17C00	537A-7		543C-16
57642-33E10	467A-18	59675-02FA0	537A-9	62600-47820	543A-8
57644-33E10	467A-17	59731-47H00	537A-22		543C-8
58200-17K01	462A-13	59735-17C00	537A-23	62611-17K00	543A-1
58285-17K00	462A-14	59740-47H00	537A-12		543C-1
58300-17K01	462A-15	59743-17C00	537A-16	62647-47H00	543A-11
58300-17K11	462A-16	59751-47H20	537A-19		543C-11
58621-17K01	462A-20			62658-04K00	543A-12
58635-17K00	462A-18				543C-12
59100-14810	535A-2			62658-04K10	543A-17

PART NO.	FIG.NO.-REF.NO.	PART NO.	FIG.NO.-REF.NO.	PART NO.	FIG.NO.-REF.NO.
	543C-17	64741-35F10	550A-10	68271-04A10-019	422A-6
62658-47H00	543A-3		550B-10		422B-7-1
	543A-6		550C-10	68271-04A10-YES	422B-7-2
	543C-3	64751-47H10	550A-11	68275-17K30-019	481B-7-1
	543C-6		550B-11	68275-17K30-YES	481B-7-2
	474A-1		550C-11	68275-17K70-BW8	480C-12
63111-17K00	474A-2	65110-17K20	550A-19		480C-15
63113-17K00	474A-3		550B-19		480D-12
63114-17K00	480A-2		550C-19		480D-15
63115-37H00	480A-5	65710-17K00	534A-8	68275-17K70-CRU	480A-12
	480B-2		534B-8		480A-15
	480B-5	68110-17K20-YMD	420D-2	68275-17K80-BR9	481C-6
	480C-2	68111-47HB0	422C-6		481D-6
	480C-5	68120-17K30-B9E	422B-6-2	68275-17K90-B91	480B-12-1
	480D-2	68120-17K30-CRU	422B-6-1	68275-17K90-B92	480B-12-2
	480D-5	68131-17K00-B9Q	445B-3-2	68276-17K90-B91	480B-15-1
63116-17K00	474A-4		445B-6-2	68276-17K90-B92	480B-15-2
63117-17K00	474A-5	68131-17K00-CRU	445B-3-1	68281-17K10	521B-15
63121-17K00	474A-6		445B-6-1		521B-30
63122-17K00	474A-7	68135-17K50-YSF	445C-3	68281-47HA0	481B-24
64111-17K00-019	550A-1	68135-17K60-BJ8	445D-3		481D-24
	550B-1	68135-17K70-B9N	445B-4-2		524A-19
	550C-1-1	68135-17K70-CRU	445B-4-1	68285-17K80-BR9	481C-7
64111-17K00-YPU	550C-1-2	68145-17K50-YSF	445C-5		481D-7
64162-47H00	550A-21	68145-17K60-BJ8	445D-5	68319-02K01	496G-1
	550B-21	68145-17K70-B9N	445B-7-2	68332-17K50	496G-2
	550C-21	68145-17K70-CRU	445B-7-1	68680-17K30-CRU	485B-2-1
64339-14101	524A-17	68151-44G01-1ZY	460D-2	68680-17K30-GUL	485C-2
	524B-17		460G-2	68680-17K30-HSE	485B-2-2
64511-15J00	550A-17	68151-44G11-GWM	460A-2	68680-17K40-CRU	485B-8-1
	550B-17		460H-2	68680-17K40-GUL	485C-8
	550C-17	68177-04A00-CRU	481A-6	68680-17K40-HSE	485B-8-2
64610-04K00	550A-12	68181-47HA1-019	483A-5	68680-17K90-B9E	485B-3-2
	550B-12		483B-5-1	68680-17K90-CRU	485B-3-1
	550C-12	68181-47HA1-YES	483B-5-2	68685-17K30-B54	485C-3
64651-17K00	550A-16	68181-47HA1-YVW	483C-5	68685-17K40-B9E	485B-9-2
	550B-16	68191-17K00-AGQ	483C-7	68685-17K40-CRU	485B-9-1
	550C-16	68191-17K00-CRU	483A-7	68690-17K30-CRU	485B-5-1
64711-49G00	550A-7		483B-7-1	68690-17K30-GUL	485C-5
	550B-7	68191-17K00-HSE	483B-7-2	68690-17K30-HSE	485B-5-2
	550C-7	68251-14J00-B86	530C-14	68690-17K40-CRU	485B-12-1
64721-17K00	550A-8		550C-24	68690-17K40-GUL	485C-11
	550B-8	68251-17K20-G7Z	530B-14	68690-17K40-HSE	485B-12-2
	550C-8		550B-24	68690-17K90-B9E	485B-6-2
64731-35F10	550A-2	68252-14J00-B86	530C-15	68690-17K90-CRU	485B-6-1
	550B-2		550C-25	68695-17K30-B54	485C-6
	550C-2	68252-17K20-G7Z	530B-15	68695-17K40-B9E	485B-13-2
64733-35F00	550A-13		550B-25	68695-17K40-CRU	485B-13-1
	550B-13	68270-17K60-B9N	481B-6-2	69100-13810	555A-10
	550C-13	68270-17K60-CRU	481B-6-1	69100-47810	555A-9

PART NO.	FIG.NO.-REF.NO.	PART NO.	FIG.NO.-REF.NO.	PART NO.	FIG.NO.-REF.NO.
69100-47830	555A-14		481B-19		483B-12
69100-47H41-999	555A-1		481B-23		483C-12
69115-17K01	555A-11		481C-19	94460-17K00-YKV	485A-5
69132-47H00	555A-15		481C-23	94460-17K40-YMD	485C-10
69133-47H00	555A-16		481D-19	94460-17K50-4TX	485B-11-2
69134-47H00	555A-17		481D-23	94460-17K50-YKV	485B-11-1
69141-40F00	555A-12			94461-17K00	483A-8
69150-47H20	555A-13				483B-8
69211-47H00	550A-5				483C-8
	550B-5			94462-17K00	483A-9
	550C-5				483B-9
	558A-20				483C-9
69240-17K21	558A-21				481C-12
69260-17K00	558A-22				481D-12
69268-17K00	558A-23				485A-10
69270-17K00	558A-24				485B-18
69272-17K00	558A-25	94400-17K00-B8X	483B-4-2		485C-16
69480-17K31	558A-2	94400-17K00-BVX	483A-4		485A-14
69600-34810	558A-2		483A-6	94470-17K80-4TX	485B-1-1
69600-47H31	558A-1		483B-4-1	94471-17K00-YKV	485A-1
69665-47H00	558A-4			94476-17K00	483A-20
69669-17K00	558A-15	94400-17K00-YSF	483C-4		483B-20
69670-17K00	558A-6	94410-17K30-YKV	481A-1	94477-17K00	483C-20
69672-00B20	558A-8	94410-17K50-YSF	481C-1		485A-4
69674-00B20	537A-6		481D-1	94477-17K10	485B-10
	558A-10	94410-17K60-4TX	481B-1-2		485C-9
	537A-4	94410-17K60-YKV	481B-1-1		483A-21
69686-34200	558A-9	94414-17K00	480A-17	94477-17K20	483B-21
	558A-3		480C-17		483C-21
69691-04A00	558A-5	94415-17K00	480A-18		485A-9
69692-47H00	558A-5		480C-18	94478-14J00	485B-17
69693-47H00	558A-7	94420-17K00	480A-1		485C-15
69730-17K00	558A-18		480B-1		445B-12
69740-17K00	558A-12		480C-1		445C-10
69750-17K00	558A-16		480D-1		445D-10
		94430-17K00	480A-4		485A-17
			480B-4		485B-25
			480C-4	94479-35F00	485C-23
			480D-4		483A-18
		94443-06G00	474A-8		483B-18
			483A-3	94480-17K60-YMD	483C-18
			483B-3	94480-17K80-4TX	485C-4
			483C-3	94480-17K80-YKV	485B-4-2
73415-70A00	480A-13		481A-5	94481-17K00-YKV	485B-4-1
	480A-16	94443-21H00	481B-5	94486-17K00	485A-2
	480B-13		481C-5		483A-22
	480B-16		481D-5		483B-22
	480C-13				483C-22
	480C-16	94450-17K00-YKV	485A-3	94486-17K10	483A-23
	480D-13	94450-17K40-YMD	485C-7		483B-23
	480D-16	94450-17K50-4TX	485B-7-2		483C-23
	481A-18	94450-17K50-YKV	485B-7-1	94487-17K00	485A-6
	481A-22	94458-17K00	483A-12		485B-14

PART NO.	FIG.NO.-REF.NO.	PART NO.	FIG.NO.-REF.NO.	PART NO.	FIG.NO.-REF.NO.
					485C-12
94487-17K10					483A-24
					483B-24
					483C-24
94491-17K00					483A-11
					483B-11
					483C-11
94500-17K00-B8X					483B-6-2
94500-17K00-BVX					483C-6-1
94500-17K00-YSF					483C-6
94511-17K00					481A-11
					481B-12
					481C-12
94520-17K00					481D-12
					485A-10
					485B-16
94530-17K00					485C-16
					485A-14
					485B-22
					485C-20
94540-17K00					485A-11
					485B-19
94611-17K00					485C-17
					481A-7
					481B-8
					481C-8
					481D-8
94620-17K00					483A-1
					483B-1
					483C-1
94621-17K00					481A-9
					481B-10
					481C-10
					481D-10
94630-17K00					481A-15
					481B-16
					481C-16
					481D-16
94631-17K00					481A-8
					481B-9
					481C-9
					481D-9
94633-31J00					480A-22
					480B-20
					480C-22
					480D-20
94640-17K00					481A-19
					481B-20
					481C-20
					481D-20
					480A-11
					480C-11
					480D-11
					480B-11-2
					480B-11-1
					480A-10
					480B-10
					480C-10
					480D-10
					480A-14
					480C-14
					480D-14
					480B-14-2
					480B-14-1
					330A-6
					330F-6
					505A-16
					505A-18
					505A-19
					99000-69491
					126A-21
					496G-4
					01550-0616A
					01550-0620A
					01550-0625B
					01550-0840A
					01550-0850A
					01550-0865A
					02112-0525B
					02112-0535B
					02112-0540B
					02112-0616A
					02122-0616A
					02142-0410A
					02142-0635A
					03511-0516A
					03541-0412A
					03541-0412B
					03541-0416A
					03541-0512A
					03541-0512B
					03541-0516A
					01547-0616A
					01547-0616B
					01547-0620A
					01547-0620B
					01547-0625A
					01547-0630A
					01547-0635A
					01547-0665A
					01550-0610A
					01550-0612A
					185A-16
					187A-15
					350A-27
					350B-27
					350B-22
					536B-12
					185A-17
					427A-3
					462A-19
					485A-15
					485B-23
					485C-21
					116A-19
					350A-25
					350B-25
					112A-19
					108A-7
					108A-13
					108A-8
					108A-14
					355A-5
					355A-2
					355A-3
					180A-13
					103A-21
					537A-17
					312A-20
					312F-20
					155A-27
					155A-21
					480A-25
					480C-25
					330A-8
					330F-8
					474A-10
					480A-26
					480C-26
					339A-5
					445A-15
					445B-19
					445C-17

PART NO.	FIG.NO.-REF.NO.	PART NO.	FIG.NO.-REF.NO.	PART NO.	FIG.NO.-REF.NO.
	445D-17	08316-1005A	339A-10	09103-06547	112A-22
	448A-13		339A-12	09103-07003	126A-7
	448B-13	08316-1006A	163A-29	09103-08134	108A-9
	474A-11		312A-23	09103-08207	481A-12
	474A-19		312F-23		481B-13
	485A-8		334B-5		481C-13
	485B-16		334B-11		481D-13
	485C-14		427A-7	09103-08391	524A-16
03541-0516B	474A-12		505A-14		524B-16
03541-0525A	155A-28		505A-17	09103-09012	108A-10
04111-2015A	558A-33		534A-19	09103-10189	122A-9
04211-09149	112A-17		534B-19	09103-10366	407A-4
	112A-23	08316-1008A	541A-18	09103-10450	535A-12
	116A-16		541B-19	09103-12078	108A-38
04211-09189	112A-6	08319-3106B	467A-12	09103-12135	304A-4
04211-11169	103A-9	08319-3108A	524A-18	09106-05023	212A-41
04221-03059	120A-3		524B-18	09106-06073	178A-12
04221-07129	206A-16	08319-3110A	550A-18	09106-06075	108A-21
06111-07004	415A-20		550B-18	09106-06134	530A-10
	415A-28		550C-18		530B-10
07120-0612B	140B-35	08322-0106A	312A-14		530C-10
07120-0616A	172A-15		312F-14	09106-06137	304A-5
	534A-18		474A-13	09106-07021	102A-6
	534B-18		558A-32	09106-08160	550A-6
07120-0620A	312A-21	08331-3112A	122A-17		550B-6
	312F-21	08331-3114A	212A-26		550C-6
07120-0625B	212A-35	08331-3115A	122A-18	09106-08162	163A-13
07120-0630B	312A-22	08331-4130A	108A-32	09106-08167	212A-32
	312F-22	08332-1106A	415A-14	09106-08185	462A-3
07120-0835A	108A-15		415A-21	09106-08195	163A-14
07130-0512A	304A-7		415A-29	09106-08200	415A-11
	550A-22	08361-2508B	163A-18		415A-31
	550B-22	09100-06099	180A-10	09106-10064	415A-12
	550C-22	09100-08305	541A-17	09106-10069	103A-24
07130-0612A	533A-7		541B-18	09111-05006	537A-18
	533B-7	09103-06031	420B-14	09111-06041	212A-13
07130-0616A	312A-25		420D-15	09111-06081	420B-15
	312F-25	09103-06066	312A-12		420D-16
07130-0620B	462A-12		312F-12		474A-18
07130-0625A	127A-8	09103-06206	116A-12	09111-06085	187A-20
07130-0825A	163A-9	09103-06266	103A-2	09111-06089	155A-16
08211-06141	212A-14	09103-06307	185A-12	09111-06092	460G-4
08211-10221	122A-14	09103-06523	116A-13		460H-4
08211-10285	122A-15	09103-06527	201A-30	09111-06106	480A-9
08211-20403	122A-16	09103-06529	112A-3		480B-9
08310-0006A	201A-40		112A-15		480C-9
08313-2008A	481A-13	09103-06530	180A-14		480D-9
	481B-14	09103-06531	112A-4	09111-06107	483A-13
	481C-14	09103-06532	112A-16		483B-13
	481D-14		112A-21		483C-13

PART NO.	FIG.NO.-REF.NO.	PART NO.	FIG.NO.-REF.NO.	PART NO.	FIG.NO.-REF.NO.
09111-06250	140B-48	09139-06191	420B-16	09159-10115	543A-18
09116-06197	140B-30		420D-17		543C-18
09116-06514	178A-2	09139-06206	460A-4	09159-12056	543A-4
09118-06097	185A-13		460D-4		543A-7
09118-06122	178A-3		485A-13		543A-13
09118-08152-A05	163A-4		485B-21		543C-4
09119-06105	163A-5		485C-19		543C-7
09125-05042	462A-17	09139-06207	533A-4		543C-13
09125-06060	541A-6		533B-4	09159-12081	108A-39
	541B-6	09139-06208	140B-31	09159-20006	541A-9
09126-06011	206A-43		534A-10		541B-9
	206A-44		534B-10	09159-22008	206A-51
09126-06014	212A-20	09139-06210	422A-7	09159-24010	201A-20
09128-06013	312A-5		422B-8	09160-04026	330A-7
	312F-5		422C-7		330F-7
09132-05050	480A-19	09139-06214	355A-7	09160-05045	339A-3
	480B-17		462A-21		339A-8
	480C-19		558A-36	09160-06012	420B-18
	480D-17	09139-06224	558A-11		420D-19
09134-06015	201A-31	09139-06225	541A-13		422A-8
09136-05062	333A-6		541B-14		422B-9
	333B-6	09139-06226	541A-11		422C-8
09136-06147	212A-4		541B-12	09160-06088	140B-32
	212A-8	09140-06020	212A-36		533A-5
09137-05004	301A-12	09140-06025	212A-33		533B-5
09139-05078	422A-2	09148-05038	474A-9	09160-06126	505A-13
	422B-2	09148-05045	448A-12	09160-08043	460A-7
	422C-2		448B-12		460D-7
09139-05091	485A-12	09148-05052	420B-23		460G-7
	485B-20		420D-24		460H-7
	485C-18		422A-4	09160-08157	163A-15
09139-05092	445A-10		422B-4	09160-10020	201A-32
	445B-14		422C-4	09160-10144	212A-34
	445C-12		445A-11	09160-12036	304A-6
	445D-12		445B-15	09160-12037	543A-20
	448A-11		445C-13		543C-20
	448B-11		445D-13	09160-14016	212A-21
09139-06124	163A-33		480A-7	09160-15045	201A-33
09139-06139	445A-9		480B-7	09160-25056	201A-19
	445B-13		480C-7	09160-25070	550A-9
	445C-11		480D-7		550B-9
	445D-11	09159-05019	481A-10		550C-9
	534A-9		481B-11	09160-27008	206A-8
	534B-9		481C-11	09161-10009	536A-5
	558A-17		481D-11		536B-5
09139-06153	206A-45	09159-05048	537A-21		558A-26
09139-06159	206A-46	09159-06086	420B-17	09164-06006	180A-11
09139-06181	422A-13		420D-18	09164-24008	201A-21
	422B-14	09159-06100	163A-6	09167-27001	206A-9
	422C-13	09159-10103	407A-5	09168-06018	108A-26

PART NO.	FIG.NO.-REF.NO.	PART NO.	FIG.NO.-REF.NO.	PART NO.	FIG.NO.-REF.NO.
09168-06023	103A-15 112A-5		445C-15 445D-15	09280-17003 09280-19008	112A-8 116A-18
09168-06025	180A-12	09251-09002	505A-15	09280-20002	108A-5
09168-08016	108A-18	09259-36021	112A-9	09280-26005	206A-53
09168-10002	108A-28	09261-03020	126A-4		212A-42
09168-10031	108A-11	09261-04005	126A-10	09280-28005	187A-10
09168-12002	108A-24	09262-25001	206A-14	09280-33004	112A-10
09168-12017	103A-23	09262-25006	212A-9	09280-33006	178A-5
09168-14002	116A-5	09262-25191	530A-3	09280-45004	103A-19
09168-16002	108A-33		530B-3	09282-10012	201A-37
09168-16009	103A-13		530C-3	09283-06013	201A-38
09169-06076	334B-3 334B-9	09262-28062	550A-3 550B-3	09283-14005 09283-20031	212A-24 543A-10
09180-06263	339A-9		550C-3		543C-10
09180-06283	445A-12 445B-16	09262-30001 09262-32024	206A-36 550A-14	09283-40043 09284-18005	206A-38 212A-31
	445C-14 445D-14		550B-14 550C-14	09284-37002	550A-4 550B-4
09180-06290	178A-4	09263-10014	201A-34		550C-4
	185A-14	09263-12023	122A-11	09285-10004	201A-39
09180-06319	140B-33	09263-12027	201A-35	09285-20006	206A-10
09180-06331	312A-18 312F-18	09263-14027 09263-15003	212A-23 201A-36	09285-32004	530A-4 530B-4
	534A-11 534B-11	09263-17046	543A-15 543C-15		530C-4 550A-15
09180-08152	163A-7 163A-16	09263-20063	543A-9 543C-9	09285-39001	550B-15 550C-15
09181-12158	116A-14	09263-20070	541A-3	09320-08066	163A-32 163A-34
09181-12167	122A-10		541B-3		420B-19
09181-14195	212A-22	09263-20114	206A-15	09320-08071	420D-20
09181-16214	407A-6	09263-22074	206A-37	09320-08501	312A-19
09181-24005	206A-30	09263-24030	206A-31		312F-19
09181-25223	201A-22	09263-25018	212A-10	09320-08510	422A-3
09181-27016	206A-52	09263-26035	122A-12		422B-3
09200-06068	558A-31	09263-27015	541A-2		422C-3
09206-08007	103A-3		541B-2	09320-08514	480A-8
09206-10016	102A-7	09263-35015	201A-4		480B-8
09208-08018	415A-13	09263-35045	201A-5		480C-8
09208-08020	415A-18		206A-32		480D-8
	415A-26	09267-30010	524A-2		481A-14
09246-05006	108A-22 108A-35		524A-9 524B-2		481B-15
09248-10006	103A-6		524B-9		481C-15
09248-10010	108A-27	09269-08003	524A-15		481D-15
09248-12004	108A-23		524B-15	09320-09016	460A-5
09248-16012	103A-14	09280-04004	103A-7		460D-5
09248-16013	108A-34		108A-20		460G-5
09250-05009	462A-11	09280-08012	108A-29		460H-5
09250-06017	445A-13 445B-17	09280-15007 09280-15015	116A-15 178A-13		485A-7 485B-15

PART NO.	FIG.NO.-REF.NO.	PART NO.	FIG.NO.-REF.NO.	PART NO.	FIG.NO.-REF.NO.
	485C-13		155A-12		483C-10
09320-09059	333A-7	09401-17201	189A-7	09409-06328	350A-17
	333B-7	09402-35501	187A-13		350B-17
09320-10050	422A-9	09403-06414	163A-25		445A-14
	422B-10	09403-07409	536A-9		445B-18
	422C-9		536B-9		445C-16
09320-10051	178A-6	09403-16412	536A-10	09409-08308	445D-16
	185A-15		536B-10		541A-14
09320-10055	140B-34	09404-06030	350A-20		541B-15
09320-10066	533A-6		350B-20	09420-04008	304A-8
	533B-6		420B-24	09440-05005	415A-19
09320-10073	339A-4		420D-25		415A-27
09320-12048	163A-17	09404-06429	163A-26	09443-11033	407A-11
09320-12077	163A-8		212A-43	09443-14070	407A-7
09321-06026	474A-20		334B-4	09443-19016	407A-8
09321-06036	480A-23		350A-13	09444-20001	212A-25
	480B-21		350A-19		350A-2
	480C-23		350B-13	09481-07504	350B-2
	480D-21		350B-19	09481-10504	350A-3
09321-10002	505A-3	09407-10404	312A-13		350B-3
09321-10018	483A-19		312F-13	09481-15504	350A-4
	483B-19	09407-14403	334B-10		350B-4
	483C-19		350A-16	09481-30101	312A-3
09352-11154-022	407A-10		350B-16		312F-3
09352-50005-060	350A-23	09407-14407	212A-45	09481-30504	350A-5
	350B-23		350A-14		350B-5
09355-30705-600	140B-26		350B-14	09482-00555	103A-17-5
09360-10042	536A-7		558A-28	09482-00556	103A-17-2
	536B-7	09407-17403	350A-15	09482-00557	103A-17-4
	558A-35		350B-15	09482-00558	103A-17-1
09360-10062	536A-6		420B-25	09482-00559	103A-17-6
	536B-6		420D-26	09482-00560	103A-17-3
	558A-27	09408-00101	534A-12	09493-28012	108A-30
09360-10069	536A-8		534B-12	09493-80005	103A-8
	536B-8	09408-00184	355A-8		
09362-09011	187A-11	09408-00266	534A-13		
09380-09003	122A-13		534A-14		
09380-27004	206A-11		534B-13		
09380-27006	206A-12		534B-14		
	206A-13	09409-05303	401A-4		
09380-30009	206A-33		401B-4		
	206A-34	09409-06314	422A-15		
	206A-35		422B-16		
09401-08411	187A-21		422C-15		
09401-10201-XCO	427A-11		480A-24		
09401-10409	427A-12		480B-22		
09401-11413	427A-13		480C-24		
09401-12412	558A-19		480D-22		
09401-12414	187A-12		483A-10		
09401-14101	155A-11		483B-10		

SUZUKI GSX-R1000AM1 PARTS CATALOGUE

SUZUKI MOTOR CORPORATION All rights reserved

No part of this document may be reproduced or transmitted in any form or by any means, electronic or mechanical, for any purpose, without the express written permission of Suzuki Motor Corporation.

SUZUKI MOTOR CORPORATION
Technical Readiness Group, Quality Administration Department
300 Takatsuka, Minami, Hamamatsu, Japan

Copyright © SUZUKI MOTOR CORPORATION 2020 All Rights Reserved

SUZUKI MOTOR CORPORATION

PRINTED IN JAPAN

9900B-31743-000